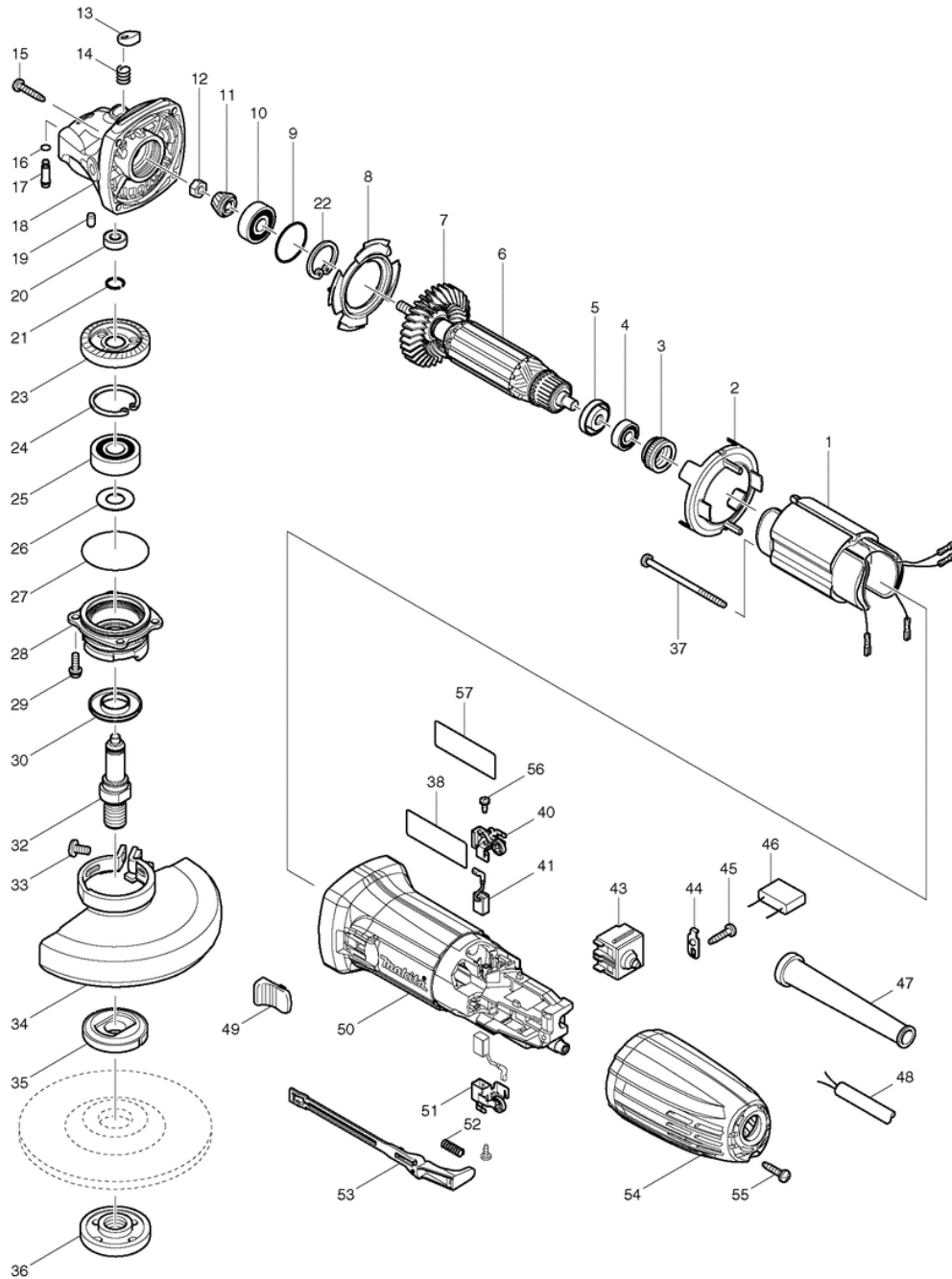




Makita Service Information / Model: GA5030





Makita Werkzeug Ges.m.b.H.

Airportstr. 4, 2401 Fischamend

Tel: 02232 / 777 00

Fax: 02232 / 777 00 - 40

Mail: verkauf@makita.at

Web: www.makita.at

Makita Service Information / Model: GA5030

POS	Bestell-Nr.	Artikelbeschreibung	Stk.	Stk.Preis
1	623533-4	STATOR GA5030/4530	1	N/A
1.2	635113-4	FELD GA5030/4530	1	N/A
2	450796-7	DOSKA ODKLONU VZD. GA5030	1	N/A
3	421868-5	PROTIPRACHOVY KRUZOK 19 9554-95	1	N/A
4	210034-7	LOŽISKO GULIČKOVÉ 607LLB 9554-58NB	1	N/A
5	681636-0	IZOLACNA PODLOZKA	1	N/A
6	517649-4	KOTVA ÚPLNÁ 220 V GA5030	1	N/A
6		*** INC. 4,5,7		N/A
7	240107-2	KOLESO VENTILÁTORA 56 NA GA4530/5030	1	N/A
7	240139-9	Fan 56	1	N/A
7.2	240139-9	Fan 56	1	N/A
8	413126-3	KRYTKA NA GA5030/4530	1	N/A
9	213445-5	O-KRÚŽOK 26 MT952/953/9554-58N	1	N/A
10	211092-6	LOŽISKO GULIČKOVÉ 629DDW	1	N/A
11	227545-5	KOLESO OZUBENÉ 10 GA5030	1	N/A
12	252186-8	MATICA M6 9554NB-9558NB	1	N/A
13	417771-6	VIEČKO 9554-9558	1	N/A
14	234057-1	PRUŽINA PRÍTLAČNÁ 8 NA GA5020/6020	1	N/A
15	266324-6	SKRUTKA SAMOREZNÁ 4X22	4	N/A
16	213960-9	O-KRÚŽOK 5 9554NB-9558NB	1	N/A
16	213032-0	O-KRÚŽOK 4	1	N/A
16.2	213032-0	O-KRÚŽOK 4	1	N/A
17	256510-7	KOLÍK ARETACIE	1	N/A
18	318335-8	KRYT PREVODOVKY GA5030	1	N/A
19	263002-9	KOLÍK GUMA 4	1	N/A
20	210033-9	LOŽISKO GULIČKOVÉ 696ZZ 2107FK/9554	1	N/A
21	233950-6	KRÚŽOK PRUŽNÝ 11	1	N/A
22	962105-3	POISTNY KRUZOK R-26 962105-3	1	N/A
23	227546-3	KOLESO OZUBENÉ 37	1	N/A
24	962151-6	POISTNY KRUZOK R-32	1	N/A
25	211129-9	LOŽISKO GULIČKOVÉ 6201DDW	1	N/A
26	267113-2	PODLOŽKA 12	1	N/A
27	213561-3	O-KRÚŽOK 42	1	N/A
28	318336-6	KRYT LOŽISKA	1	N/A
29	265099-4	SKRUTKA M4x14 9554NB-9558NB	4	N/A
30	345464-4	LABYRINTOVY KRUZOK 9554NB-9558NB	1	N/A
32	324954-0	OSKA GA5030	1	N/A
33	265180-1	SKRUTKA M5x16 GA6021/GA4530	1	N/A
34	135240-2	KRYT KOTÚČA GA5030	1	N/A
34	122887-1	KRYT KOTÚČA GA5030	1	N/A



Makita Werkzeug Ges.m.b.H.

Airportstr. 4, 2401 Fischamend

Tel: 02232 / 777 00

Fax: 02232 / 777 00 - 40

Mail: verkauf@makita.at

Web: www.makita.at

Makita Service Information / Model: GA5030

POS	Bestell-Nr.	Artikelbeschreibung	Stk.	Stk.Preis
34		*** INC. 33		N/A
34		*** INC. 33		N/A
34.2	122887 - 1	KRYT KOTÚČA GA5030	1	N/A
34.2	123099 - 9	WHEEL COVER 125AK ASSEMBLY	1	N/A
34.2		*** INC. 33		N/A
34.2		*** INC. 33		N/A
34.3	123099 - 9	WHEEL COVER 125AK ASSEMBLY	1	N/A
34.3		*** INC. 33		N/A
35	224415 - 9	INNER FLANGE 42	1	N/A
36	224554 - 5	LOCK NUT 14-45	1	N/A
37	266325 - 4	SKRUTKA SAMOREZNÁ 4X70	2	N/A
38	866062 - 6	Name Plate GA5030	1	N/A
40	643839 - 4	DRŽIAK UHLÍKOV NA GA5030/4530	1	N/A
41	194722 - 3	UHLÍKY CB-459	1	N/A
43	650560 - 8	VYPINAC 9554NB-9558NB	1	N/A
44	687681 - 3	DRŽIAK KÁBLA NA GA4530/5030	1	N/A
45	266326 - 2	SKRUTKA SAMOREZNÁ	1	N/A
46	638739 - 1	ODRUŠOVACÍ KONDENZÁTOR HP1641	1	N/A
46	645200 - 1	ODRUŠOVACI KONDENZATOR	1	N/A
46.2	638739 - 1	ODRUŠOVACÍ KONDENZÁTOR HP1641	1	N/A
47	682559 - 5	CHRIC SNURY 8	1	N/A
48	665394 - 6	KÁBEL 1,0-2-2,5 9566CR/CVR	1	N/A
49	419566 - 3	PREPÍNAČ 9554/58NB	1	N/A
50	450795 - 9	KRYT MOTORA GA5030	1	N/A
50	451128 - 1	KRYT MOTORA GA5030/4530	1	N/A
50.2	451128 - 1	KRYT MOTORA GA5030/4530	1	N/A
51	643839 - 4	DRŽIAK UHLÍKOV NA GA5030/4530	1	N/A
52	233121 - 5	PRUŽINA PRÍTLAČNÁ 4 9554-9558NB	1	N/A
53	450797 - 5	TIAHLO VYPÍNAČA GA5030	1	N/A
54	450794 - 1	KRYT GA5030	1	N/A
55	266326 - 2	SKRUTKA SAMOREZNÁ	1	N/A
56	265954 - 0	SKRUTKA SAMOREZNÁ 3x8mm	2	N/A
56	266492 - 5	TAPPING SCREW 3x8	2	N/A
56.2	266492 - 5	TAPPING SCREW 3x8	2	N/A
57	819327 - 5	Clear Label	1	N/A
57	891976 - 0	CLEAR LABEL	1	N/A
57.2	891976 - 0	CLEAR LABEL	1	N/A
57.2	806E99 - 1	CLEAR LABEL	1	N/A
57.3	806E99 - 1	CLEAR LABEL	1	N/A
1001	153504 - 2	GRIP 36 COMPLETE	1	N/A



Makita Werkzeug Ges.m.b.H.

Airportstr. 4, 2401 Fischamend

Tel: 02232 / 777 00

Fax: 02232 / 777 00 - 40

Mail: verkauf@makita.at

Web: www.makita.at

Makita Service Information / Model: GA5030

POS	Bestell-Nr.	Artikelbeschreibung	Stk.	Stk.Preis
1001	153489-2	GRIP 36 COMPLETE	1	N/A
1001.2	153489-2	GRIP 36 COMPLETE	1	N/A
1002	782423-1	LOCK NUT WRENCH 35	1	N/A
1003	823294-8	ALUMINUM CASE	1	N/A
1003	821550-0	CONNECTOR PLASTIC CASE (TYPE2)	1	N/A
1004	P-45761	DIAMOND WHEEL 125MM	1	N/A
1005	122911-0	WHEEL COVER GA5030	1	N/A
1006	A-80656	GRINDING WHEEL 125 WA36N	1	N/A
1006	A-80933	GRINDING WHEEL 125X6X22(A36P)	1	N/A
1006.2	A-80933	GRINDING WHEEL 125X6X22(A36P)	1	N/A
1007	837920-3	INNER TRAY	1	N/A
1008	802J13-5	GA5030JSP1 INDICATION LABEL	1	N/A
1009	802J14-3	GA5030JSP1 PLASTIC CASE LABEL	2	N/A
5001	808153-7	Safety Instruction Label	1	N/A