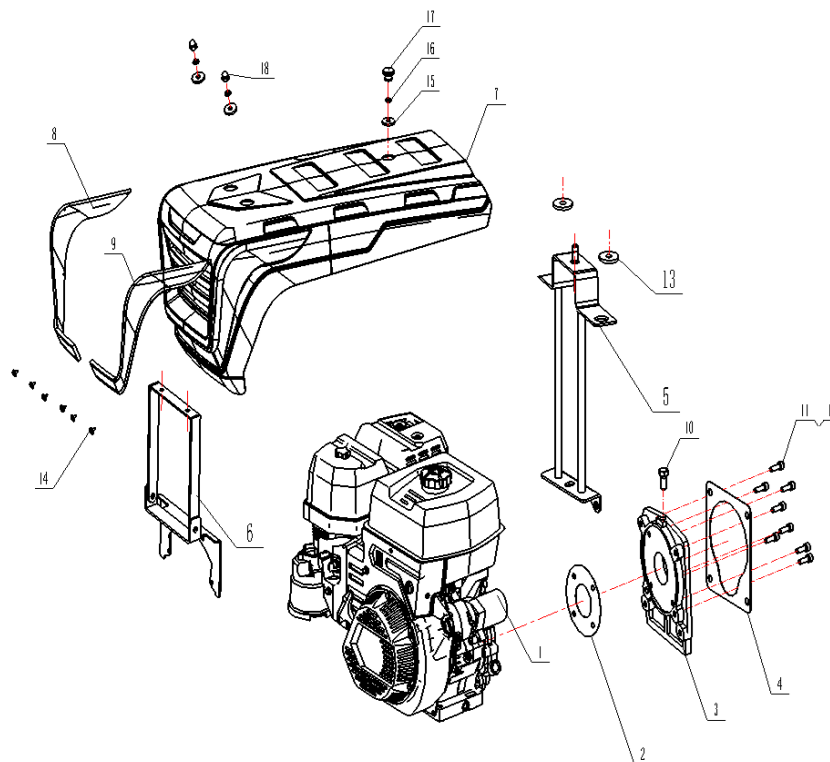
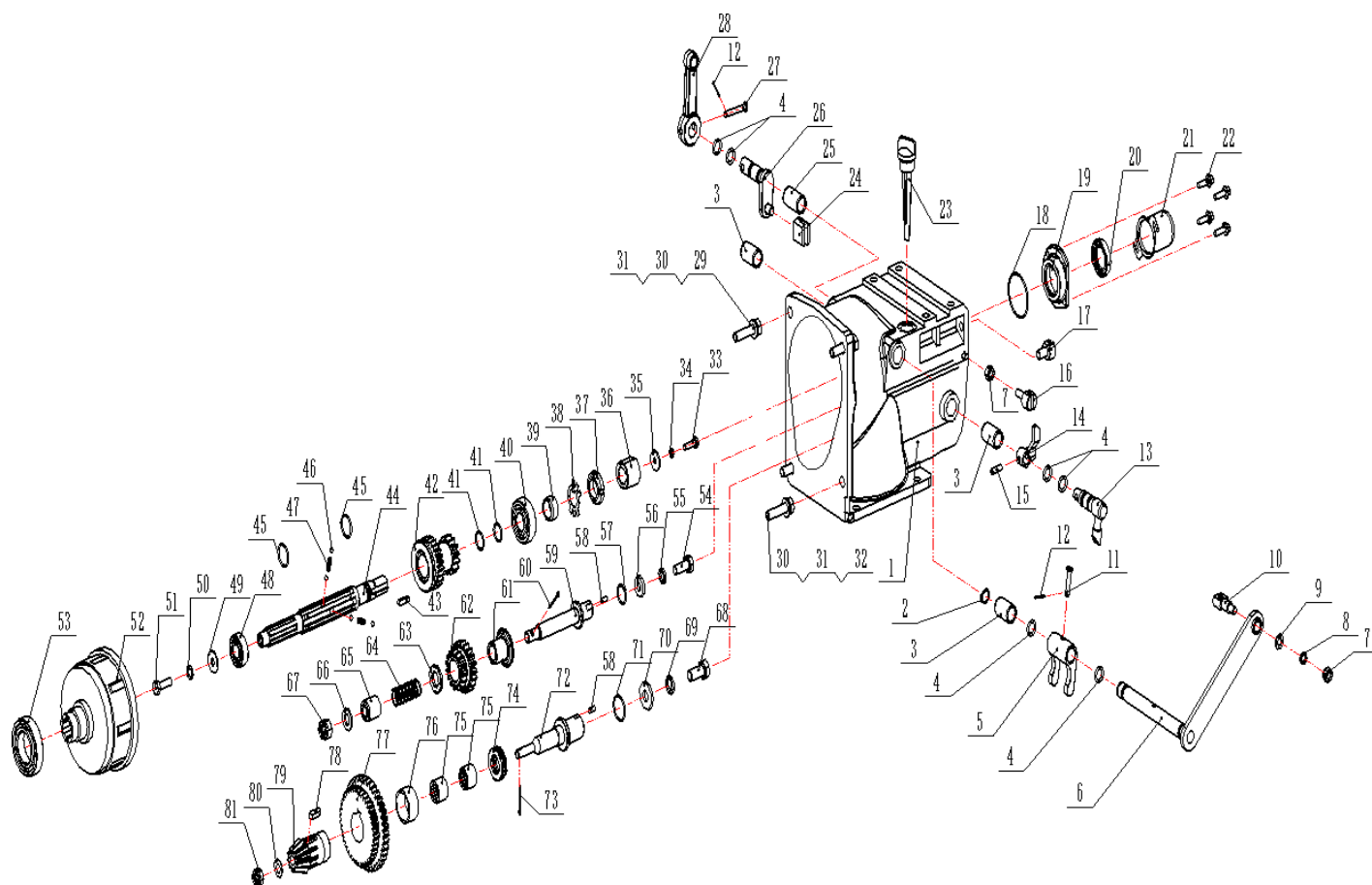


Documentatie tehnica motocultor 913.2024



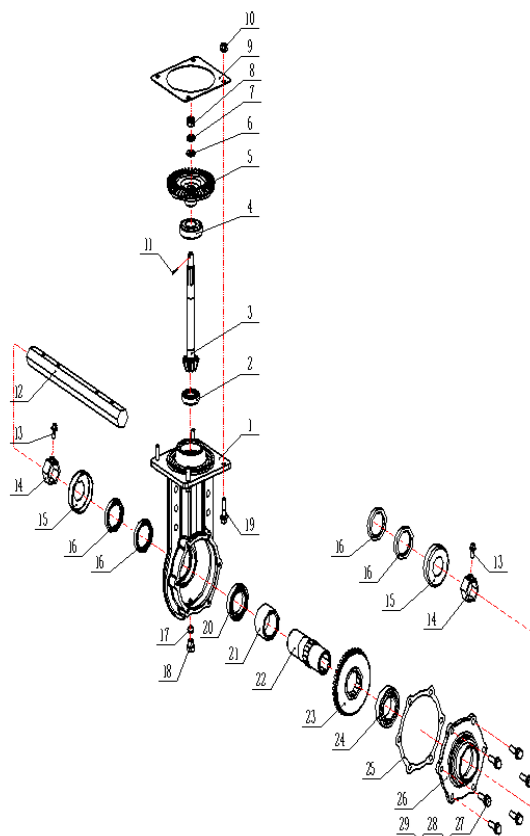
Nr.crt	Denumire produs	Product name	Cod comanda
1	Ansamblu motor	Engine assembly	ps913.2024-1-1
2	Garnitura	Gasket	ps913.2024-1-2
3	Flansa	Flange	ps913.2024-1-3
4	Garnitura	Gasket	ps913.2024-1-4
5	Suport spate	Engine guard rear bracket	ps913.2024-1-5
6	Suport fata	Engine guard front bracket	ps913.2024-1-6
7	Capota	shield	ps913.2024-1-7
8	Far dreapta	Headlight assembly	ps913.2024-1-8
9	Far stanga	Headlight assembly	ps913.2024-1-9
10	Surub	Pressure relief bolt	ps913.2024-1-10
11	Surub	Hexagon socket head screw M8×25	ps913.2024-1-11
12	Saiba	Standard spring washers 8	ps913.2024-1-12
13	Saiba	I-beam glue	ps913.2024-1-13
14	Surub	Self-tapping screw ST2×15	ps913.2024-1-14
15	Saiba	I-beam glue	ps913.2024-1-15
16	Saiba	large flat pad	ps913.2024-1-16
17	Piulita	fasten the screw nut	ps913.2024-1-17
18	Piulita	Hexagonal cap nut	ps913.2024-1-18



Nr.crt	Denumire produs	Product name	Cod comanda
1	Carcasa cutie de viteze	gearbox body	ps913.2024-2-1
2	Siguranta	Retaining rings for shafts	ps913.2024-2-2
3	Bucsa	Reverse shaft bushing	ps913.2024-2-3
4	O-ring	O-ring seal $\phi 11.2 \times 2.65$	ps913.2024-2-4
5	Furca ambreiaj	Clutch fork	ps913.2024-2-5
6	Ax furca	Clutch fork shaft	ps913.2024-2-6
7	Piulita	Hex nut M8	ps913.2024-2-7
8	Saiba grower	Standard spring washers 8	ps913.2024-2-8
9	Saiba	Flat Washer 8	ps913.2024-2-9
10	Scaun cablu ambreiaj	Clutch cable movable seat	ps913.2024-2-10
11	Bolt	Pin B6 \times 28	ps913.2024-2-11
12	Siguranta	Cotter pin 1.6 \times 16	ps913.2024-2-12
13	Ax furca marsarier	Reverse gear shift fork shaft	ps913.2024-2-13
14	Furca marsarier	Reverse shift fork	ps913.2024-2-14
15	Bolt	Threaded cylindrical pin 6 \times 20	ps913.2024-2-15
16	Scaun cablu marsarier	Reverse gear line seat	ps913.2024-2-16
17	Scaun cablu ambreiaj	Clutch cable seat	ps913.2024-2-17

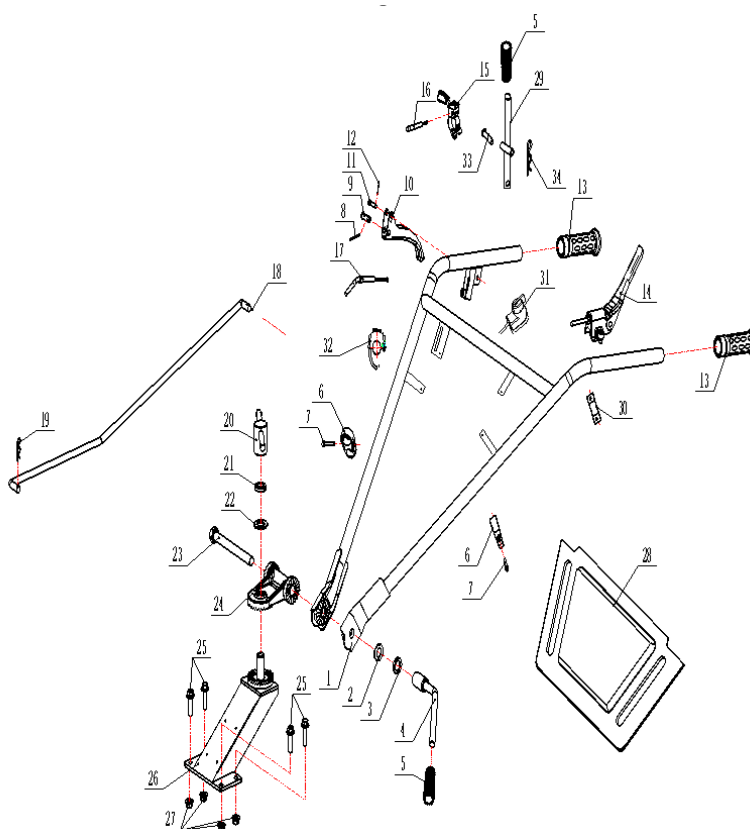
18	O-ring	O-ring seal $\phi 45 \times 1.8$	ps913.2024-2-18
19	Capac	Gland	ps913.2024-2-19
20	Simering	Oil seal $\phi 25 \times \phi 40 \times 7$	ps913.2024-2-20
21	Protectie	Spindle protective cover	ps913.2024-2-21
22	Surub	Hexagon head plate bolt M6 \times 20	ps913.2024-2-22
23	Joja	oil dipstick	ps913.2024-2-23
24	Brat furca	shift fork	ps913.2024-2-24
25	Bucsa	shift shaft bushing	ps913.2024-2-25
26	Furca de cuplare	shift fork shaft	ps913.2024-2-26
27	Bolt	Pin B6 \times 40	ps913.2024-2-27
28	Maneta	shift arm	ps913.2024-2-28
29	Surub	Hexagon head bolt M10 \times 35	ps913.2024-2-29
30	Saiba grower	Standard spring washers 10	ps913.2024-2-30
31	Saiba	Flat Washer 10	ps913.2024-2-31
32	Surub	Hexagon head bolt M10 \times 40	ps913.2024-2-32
33	Surub	Hexagon head bolt M8 \times 20	ps913.2024-2-33
34	Saiba grower	Standard spring washers 8	ps913.2024-2-34
35	Saiba	washer	ps913.2024-2-35
36	Bucsa	key cover	ps913.2024-2-36
37	Piulita	Round nut M20 \times 1.5	ps913.2024-2-37
38	Saiba	Stop washer 20	ps913.2024-2-38
39	Bucsa	Spindle sleeve	ps913.2024-2-39
40	Rulment 6204	Bearing 6204	ps913.2024-2-40
41	O-ring	O-ring seal $\phi 17 \times 2$	ps913.2024-2-41
42	Pinion	shift gear	ps913.2024-2-42
43	Pana	Ordinary flat key A5 \times 5 \times 20	ps913.2024-2-43
44	Ax	Spindle	ps913.2024-2-44
45	Siguranta	Wire retaining ring for shaft 25 \times 2	ps913.2024-2-45
46	Bila de otel	Steel ball S ϕ 6.35	ps913.2024-2-46
47	Arc	Positioning spring	ps913.2024-2-47
48	Rulment 6202	Bearing 6202	ps913.2024-2-48
49	Saiba	Large washer 8	ps913.2024-2-49
50	Saiba	Locking washer 8	ps913.2024-2-50
51	Surub	Hexagon head bolt M8 \times 20	ps913.2024-2-51
52	Ansamblu ambreiaj	clutch assembly	ps913.2024-2-52
53	Rulment 6007	Bearing 6007	ps913.2024-2-53
54	Surub	Hexagon head bolt M10 \times 25	ps913.2024-2-54
55	Saiba grower	Standard spring washers 10	ps913.2024-2-55
56	Saiba	Non-standard washer $\phi 10.5 \times \phi 22 \times 4$	ps913.2024-2-56
57	O-ring	O-ring seal $\phi 18 \times 1.8$	ps913.2024-2-57
58	Pana	Positioning pin A5 \times 10	ps913.2024-2-58

59	Ax marsarier	Reverse gear shaft (micro tillage machine)	ps913.2024-2-59
60	Siguranta	Cotter pin 2.5×30	ps913.2024-2-60
61	Bucsa	Reverse push plate	ps913.2024-2-61
62	Pinion marsarier	reverse gear	ps913.2024-2-62
63	Saiba retinere	Reverse gear spring seat φ16.5×φ27×4	ps913.2024-2-63
64	Arc	reverse gear spring	ps913.2024-2-64
65	Bucsa	Reverse gear limit sleeve	ps913.2024-2-65
66	Saiba	Flat Washer 12	ps913.2024-2-66
67	Piulita	Hexagonal slotted nut M12	ps913.2024-2-67
68	Surub	Hexagon head bolt M12×1.25×25	ps913.2024-2-68
69	Saiba	Standard spring washers 12	ps913.2024-2-69
70	Saiba grower	Non-standard washer φ13×φ37×4	ps913.2024-2-70
71	O-ring	O-ring seal φ25×1.8	ps913.2024-2-71
72	Ax	secondary shaft	ps913.2024-2-72
73	Siguranta	Cotter pin 2.5×30	ps913.2024-2-73
74	Rulment 51104	Bearing 51104	ps913.2024-2-74
75	Rulment K18x24x20	Bearing K18×24×20	ps913.2024-2-75
76	Bucsa	bushing	ps913.2024-2-76
77	Roata dintata dubla	Double spur gear	ps913.2024-2-77
78	Pana	Ordinary flat key A6×6×20	ps913.2024-2-78
79	Ax	Active bevel gear	ps913.2024-2-79
80	Saiba	Non-standard washer φ10×φ18×0.5	ps913.2024-2-80
81	Piulita	Hexagonal slotted nut M10	ps913.2024-2-81



Nr.crt	Denumire produs	Product name	Cod comanda
1	Carcasa reductor	Transmission box	ps913.2024-3-1
2	Rulment 32004	Bearing 32004	ps913.2024-3-2
3	Ax central	Bevel gear shaft	ps913.2024-3-3
4	Rulment 32006	Bearing 32006	ps913.2024-3-4
5	Roata dintata	Driven bevel gear	ps913.2024-3-5
6	Saiba	Flat Washer 12	ps913.2024-3-6
7	Saiba grower	Standard spring washers 12	ps913.2024-3-7
8	Piulita	Hexagonal slotted nut M12	ps913.2024-3-8
9	Garnitura	Gasket	ps913.2024-3-9
10	Piulita	Hexagonal flange nut M10	ps913.2024-3-10
11	Siguranta	Cotter pin 2.5×30	ps913.2024-3-11
12	Ax iesire	Hexagonal output shaft	ps913.2024-3-12
13	Surub	Hexagon head plate bolt M8×20	ps913.2024-3-13
14	Brida prindere	Hexagonal fixed sleeve	ps913.2024-3-14
15	Protectie	Dust cover	ps913.2024-3-15
16	Simering	Oil seal	ps913.2024-3-16
17	O-ring	O-ring seal $\phi 10.2 \times 2.65$	ps913.2024-3-17
18	Surub drenaj	Oil drain bolt M12×1.25×12	ps913.2024-3-18
19	Surub	Hexagon head plate bolt M10×35	ps913.2024-3-19

20	Rulment 6009	Bearing 6009	ps913.2024-3-20
21	Bucsa	Output shaft spacer	ps913.2024-3-21
22	Bucsa ax	Inner hexagonal output bushing	ps913.2024-3-22
23	Roata dintata	Traveling bevel gear	ps913.2024-3-23
24	Rulment 32009	Bearing 32009	ps913.2024-3-24
25	Garnitura	Gasket	ps913.2024-3-25
26	Capac	Plum blossom end cap	ps913.2024-3-26
27	Saiba	Flat Washer 10	ps913.2024-3-27
28	Saiba grower	Standard spring washers 10	ps913.2024-3-28
29	Surub	Hexagon head bolt M10×35	ps913.2024-3-29

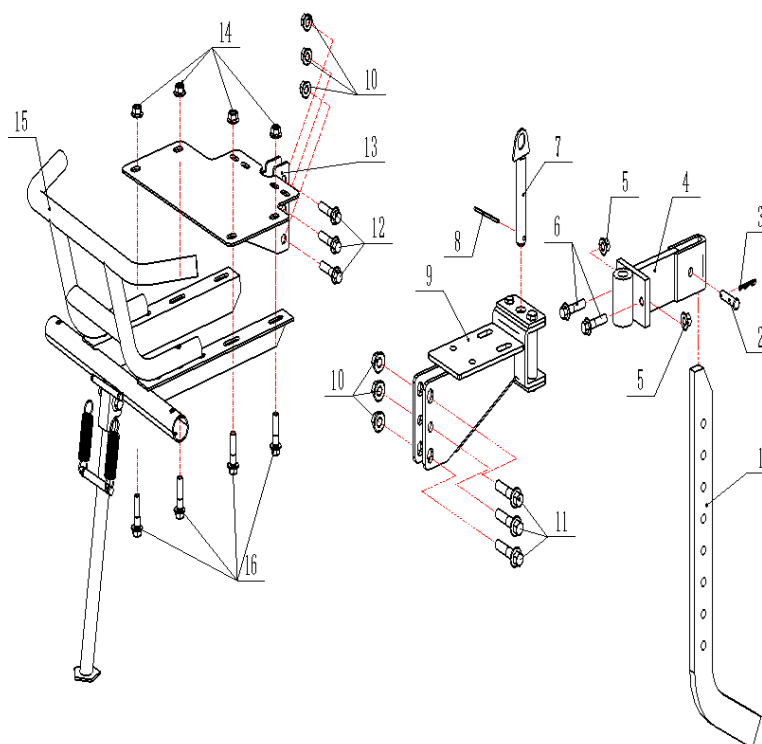


Nr.crt	Denumire produs	Product name	Cod comanda
1	Coarne	Armrest components	ps913.2024-4-1
2	Saiba	Flat Washer 16	ps913.2024-4-2
3	Saiba grower	Standard spring washer 16	ps913.2024-4-3
4	Maner strangere	High and low locking handle assembly	ps913.2024-4-4
5	Maner	Rubber handle	ps913.2024-4-5
6	Colier	line card	ps913.2024-4-6
7	Surub	Cross recessed pan head tapping screws	ps913.2024-4-7

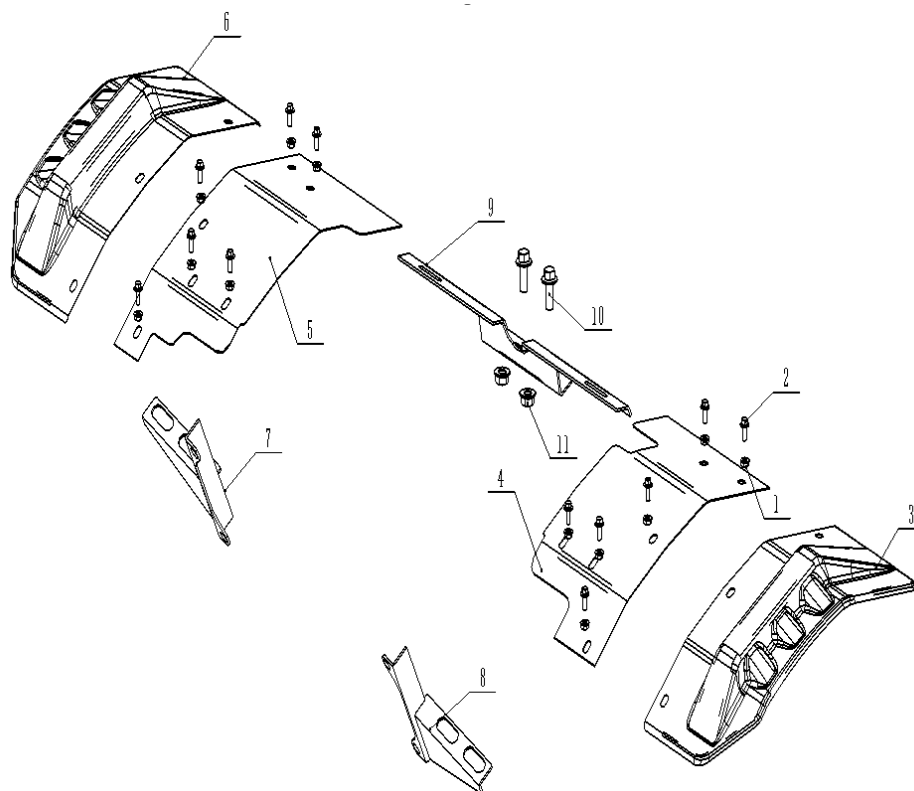
Producător motoutilaje

Documentatie tehnică

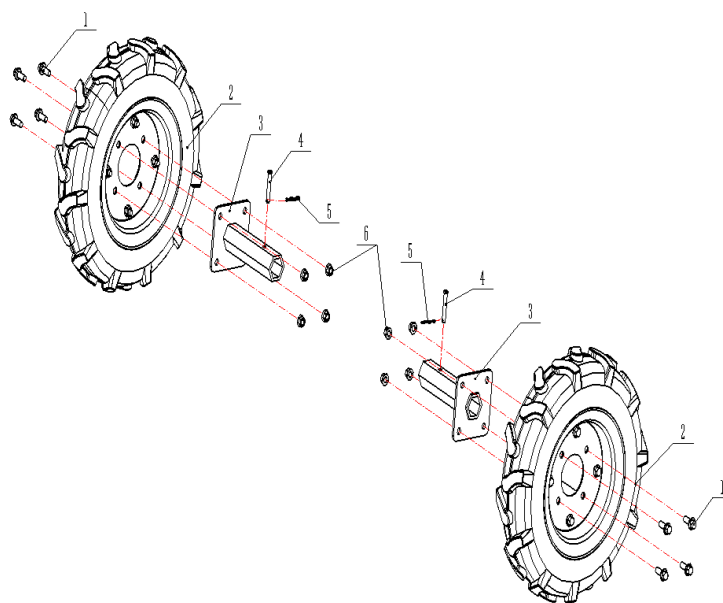
8	Siguranta	Cotter pin 2×30	ps913.2024-4-8
9	Bolt	Tie wire connector	ps913.2024-4-9
10	Maneta ambreiaj	clutch handle	ps913.2024-4-10
11	Bolt	Pin B6×22	ps913.2024-4-11
12	Siguranta	Cotter pin 1.6×16	ps913.2024-4-12
13	Manson	Handle glue	ps913.2024-4-13
14	Maneta motor stop	clutch handle	ps913.2024-4-14
15	Maneta acceleratie	Throttle switch assembly	ps913.2024-4-15
16	Cablu acceleratie	Throttle cable	ps913.2024-4-16
17	Cablu marsarier	reverse gear cable	ps913.2024-4-17
18	Maneta schimbator	gear shift lever	ps913.2024-4-18
19	Siguranta	Special shaped cotter pin 2.0	ps913.2024-4-19
20	Maner strangere	T-shaped locking handle	ps913.2024-4-20
21	Saiba grower	Standard spring washers 20	ps913.2024-4-21
22	Saiba	Flat Washer 20	ps913.2024-4-22
23	Surub	Hexagon head bolt M16×150	ps913.2024-4-23
24	Prindere	Chain plate	ps913.2024-4-24
25	Surub	Hexagon head plate bolt M10×35	ps913.2024-4-25
26	Suport coarne	armrest	ps913.2024-4-26
27	piulita	Hexagonal flange nut M10	ps913.2024-4-27
28	Cutie scule	Tool box	ps913.2024-4-28
29	Tija	shift knob	ps913.2024-4-29
30	Clema	Hug hoop	ps913.2024-4-30
31	Buton on/off	kill switch	ps913.2024-4-31
32	Buton far	lighting switch	ps913.2024-4-32
33	Bolt	Pin B8×50	ps913.2024-4-33
34	Siguranta	Special shaped cotter pin 2.0	ps913.2024-4-34



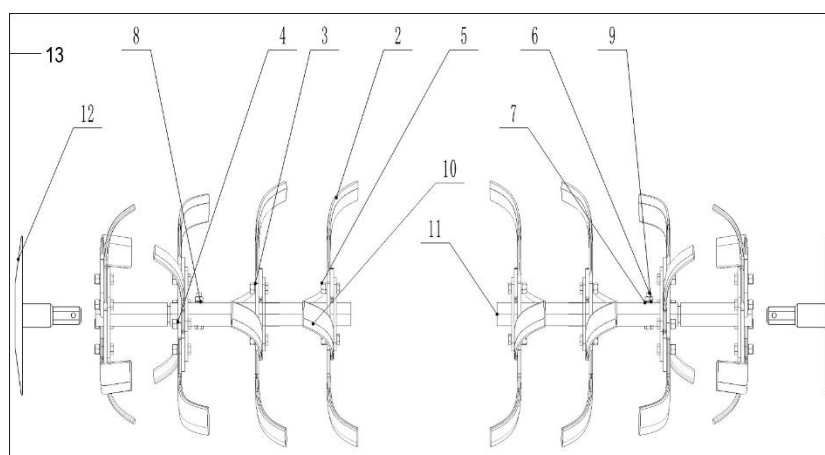
Nr.crt	Denumire produs	Product name	Cod comanda
1	Picior	speed lever	ps913.2024-5-1
2	Bolt	Pin B10×50	ps913.2024-5-2
3	Siguranta	Special shaped cotter pin 2.0	ps913.2024-5-3
4	Suport picior	Connecting frame welding assembly	ps913.2024-5-4
5	Piulita	Hexagon nut M10	ps913.2024-5-5
6	Surub	Hexagon head bolt M10×50	ps913.2024-5-6
7	Bolt	Trailer body latch	ps913.2024-5-7
8	Siguranta	Special shaped cotter pin 3.0	ps913.2024-5-8
9	Suport prindere	Trailer body welding components	ps913.2024-5-9
10	Piulita	Hexagonal flange nut M10	ps913.2024-5-10
11	Surub	Hexagon head plate bolt M10×45	ps913.2024-5-11
12	Surub	Hexagon head plate bolt M10×35	ps913.2024-5-12
13	Suport motor	engine bracket	ps913.2024-5-13
14	Piulita	Hexagonal flange nut M8	ps913.2024-5-14
15	Bara protectie	bumper	ps913.2024-5-15
16	Surub	Hexagon head plate bolt M8×40	ps913.2024-5-16



Nr.crt	Denumire produs	Product name	Cod comanda
1	Piulita	Non-metallic lock nut M6	ps913.2024-6-1
2	Surub	Hexagon head plate bolt M8×16	ps913.2024-6-2
3	Aripa stanga	Inner protective panel	ps913.2024-6-3
4	Aripa interioara stanga	Left protective panel	ps913.2024-6-4
5	Aripa interioara dreapta	Right protective panel	ps913.2024-6-5
6	Aripa dreapta	Inner protective panel	ps913.2024-6-6
7	Suport dreapta fata	Front right bracket of fender	ps913.2024-6-7
8	Suport stanga fata	Front left bracket of fender	ps913.2024-6-8
9	Suport spate	Fender rear bracket assembly	ps913.2024-6-9
10	Surub	Hexagon head plate bolt M10×25	ps913.2024-6-10
11	Piulita	Hexagonal flange nut M10	ps913.2024-6-11

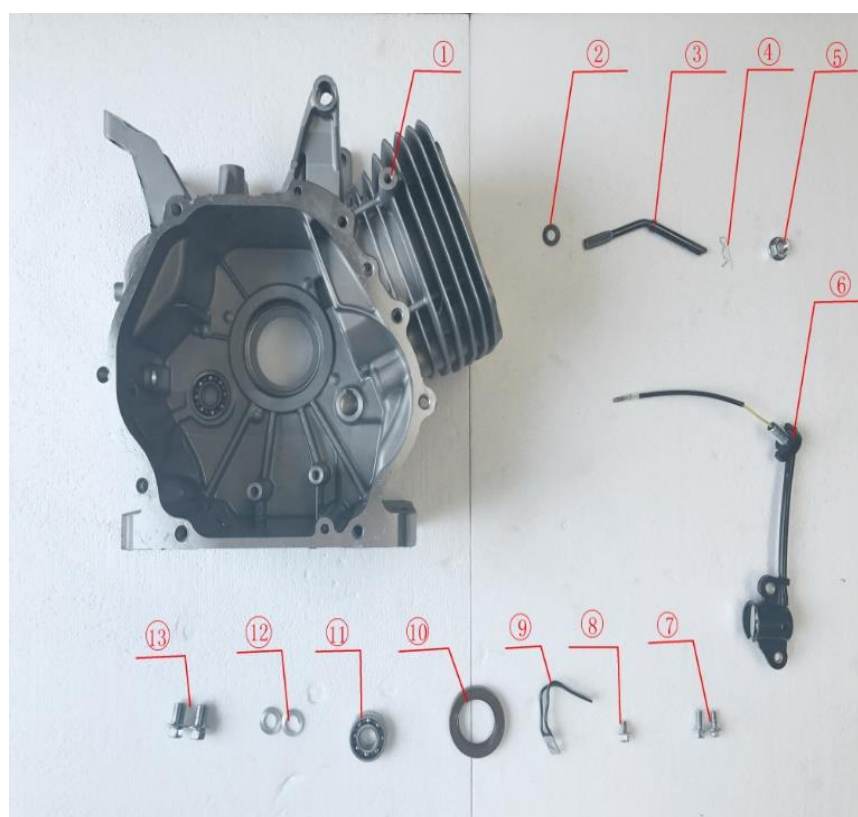


Nr.crt	Denumire produs	Product name	Cod comanda
1	Surub	Hexagon head plate bolt M10×25	ps913.2024-7-1
2	Ansamblu roata	tire assembly	ps913.2024-7-2
3	Manicot	Wheel axle assembly weldments	ps913.2024-7-3
4	Bolt	Pin B8×50	ps913.2024-7-4
5	Siguranta	Special shaped cotter pin 2.0	ps913.2024-7-5
6	Piulita	Hexagonal flange nut M10	ps913.2024-7-6



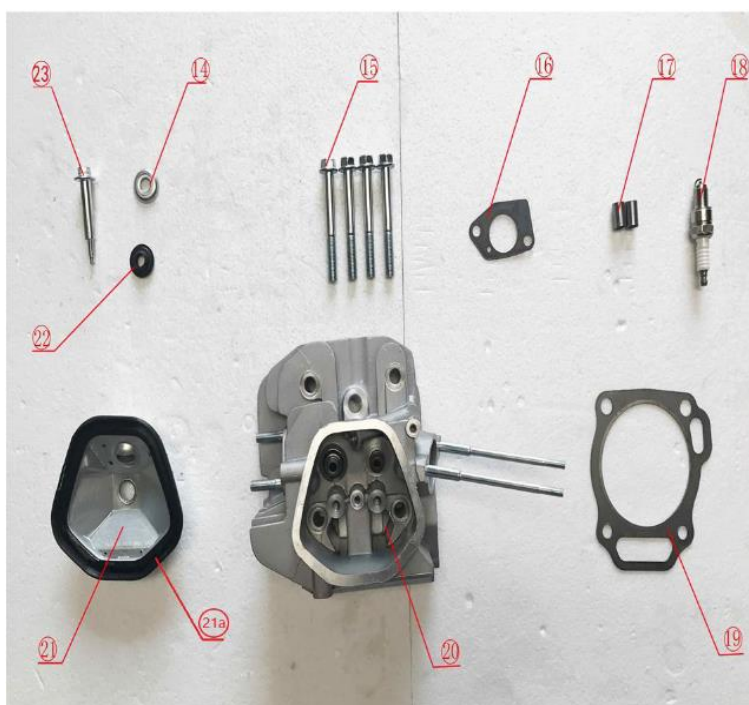
Nr.crt	Denumire produs	Product name	Cod comanda
1	Surub	Hexagon head bolt M10×35	ps913.2024-8-1
2	Cutit	blade	ps913.2024-8-2
3	Saiba	Flat Washer 10	ps913.2024-8-3
4	Saiba grower	Standard spring washers 10	ps913.2024-8-4

5	Piulita	Hexagon nut M10	ps913.2024-8-5
6	Surub	Hexagon head bolt M8x55	ps913.2024-8-6
7	Saiba	Flat Washer 8	ps913.2024-8-7
8	Saiba grower	Standard spring washers 8	ps913.2024-8-8
9	Piulita	Hex nut M8	ps913.2024-8-9
10	Cutit	blade	ps913.2024-8-10
11	Manicot	Knife barrel	ps913.2024-8-11
12	Taler	Trimming wheel	ps913.2024-8-12
13	Ansamblu freze	Blade assy	ps913.2024-8-13

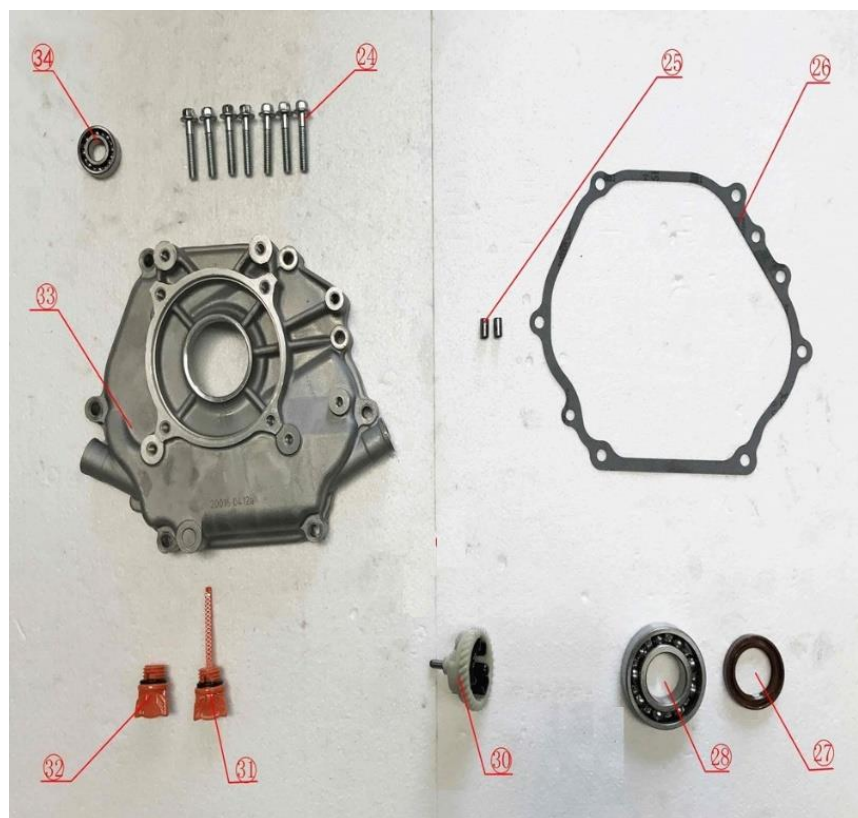


Nr.crt	Denumire produs	Product name	Cod comanda
1	carter	crank case	ps913.2024-9-1
2	saiba	washer	ps913.2024-9-2
3	brat regulator	shaft governor arm	ps913.2024-9-3
4	siguranta	pin for shaft governor arm	ps913.2024-9-4
5	piulita	nut for oil sensor	ps913.2024-9-5
6	senzor ulei	oil sensor	ps913.2024-9-6
7	surub	screw	ps913.2024-9-7
8	surub	screw	ps913.2024-9-8

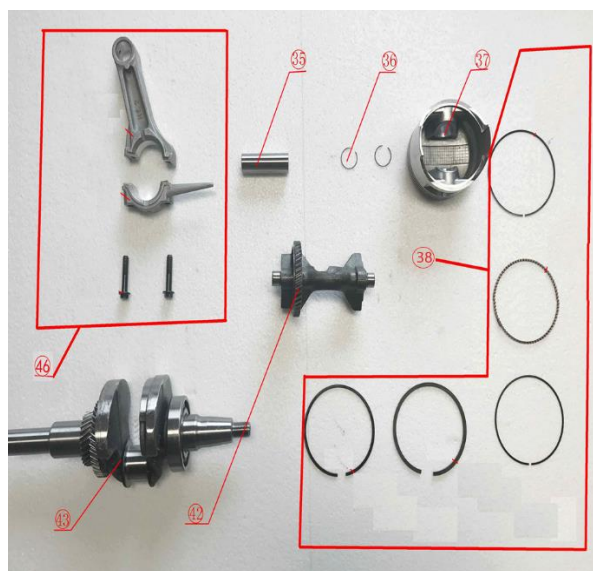
9	clema	clip	ps913.2024-9-9
10	simering	oil seal (crankshaft)	ps913.2024-9-10
11	rulment	bearing	ps913.2024-9-11
12	saiba	washer	ps913.2024-9-12
13	buson drenaj ulei	drain plug	ps913.2024-9-13



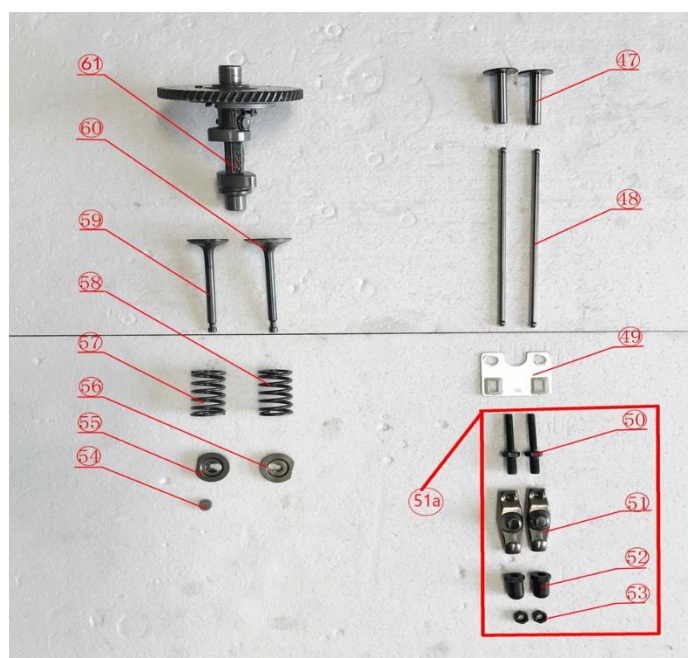
Nr.crt	Denumire produs	Product name	Cod comanda
14	bucsa	bush	ps913.2024-9-14
15	surub	screw	ps913.2024-9-15
17	pin de ghidare	pin dower	ps913.2024-9-17
18	bujie	plug spark	br4t
19	garnitura chiuloasa	gasket cylinder	ps913.2024-9-19
20	chiuloasa	head comp cylinder	ps913.2024-9-20
21	capac culbutori	head comp cover,cylinder	ps913.2024-9-21
21a	garnitura capac culbutori	gasket	ps913.2024-9-21a
22	garnitura	gasket	ps913.2024-9-22
23	surub	screw	ps913.2024-9-23



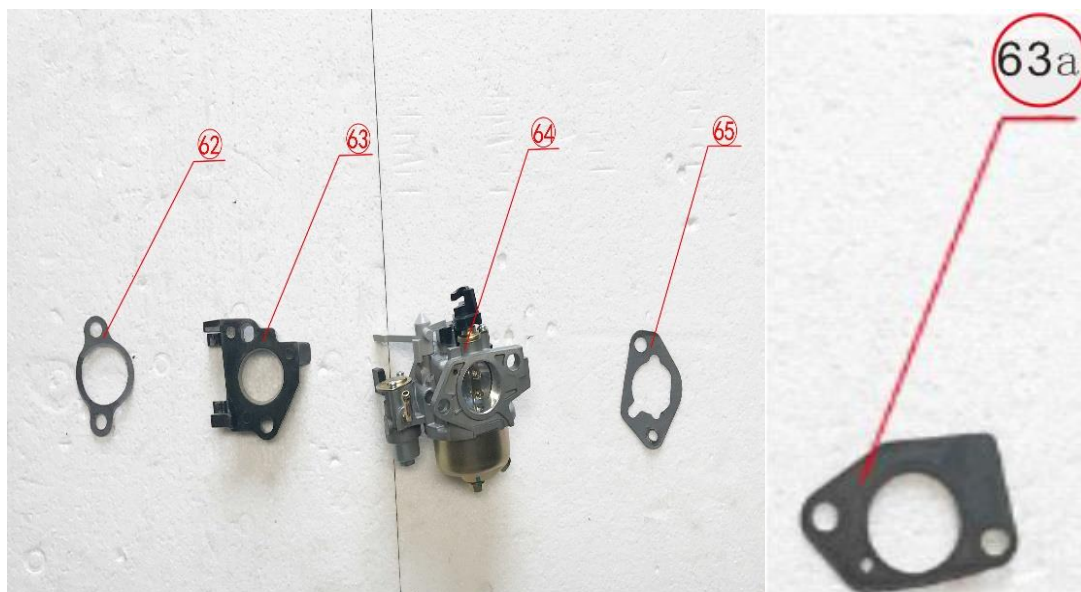
Nr.crt	Denumire produs	Product name	Cod comanda
24	surub	screw	ps913.2024-9-24
25	pin de ghidare	pin dower	ps913.2024-9-25
26	garnitura carter	gasket for crankshaft case	ps913.2024-9-26
27	simering	oil seal (crankshaft)	ps913.2024-9-27
28	rulment	bearing	ps913.2024-9-28
30	ansamblu regulator	gear governor assy	ps913.2024-9-30
31	joja	dip stick set	ps913.2024-9-31
32	buson ulei	oil plug set	ps913.2024-9-32
33	capac carter	crank case cover	ps913.2024-9-33
34	rulment	bearing	ps913.2024-9-34



Nr.crt	Denumire produs	Product name	Cod comanda
35	bolt piston	pin piston	ps913.2024-9-35
36	siguranta bolt piston	clip piston pin	ps913.2024-9-36
37	piston	piston	ps913.2024-9-37
38	set segmenti	piston ring set	ps913.2024-9-38
42	contragreutate	balace shaft	ps913.2024-9-42
43	arbore motor	crankshaft	ps913.2024-9-43
46	ansamblu biela	connecting rod assy	ps913.2024-9-46



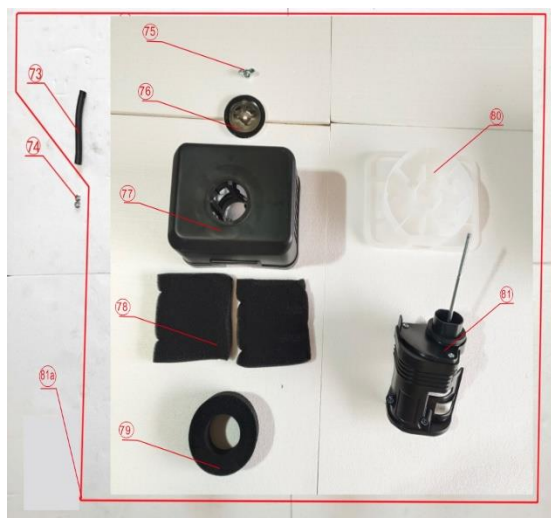
Nr.crt	Denumire produs	Product name	Cod comanda
47	tachet	lefter valve	ps913.2024-9-47
48	tija	rod	ps913.2024-9-48
49	pacuta ghidaj	plate	ps913.2024-9-49
50	prezon culbutor	rocker stud	ps913.2024-9-50
51	culbutor	arm valve rocker	ps913.2024-9-51
51a	ansmbly culbutori	arm valve rocker assy	ps913.2024-9-51a
52	piulita speciala	special nut	ps913.2024-9-52
53	piulita	nut	ps913.2024-9-53
54	pastila	pill	ps913.2024-9-54
55	taler supapa evacuare	spring seat for valve ex	ps913.2024-9-55
56	taler supapa admisie	spring seat for valve in	ps913.2024-9-56
57	arc supapa evacuare	spring valve ex	ps913.2024-9-57
58	arc supapa admisie	spring valve in	ps913.2024-9-58
59	supapa evacuare	valve ex	ps913.2024-9-59
60	supapa admisie	valve in	ps913.2024-9-60
61	ax came	camshaft assy	ps913.2024-9-61



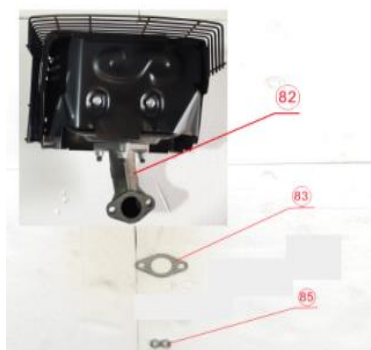
Nr.crt	Denumire produs	Product name	Cod comanda
62	garnitura izolator	insulator gasket	ps913.2024-9-62
63	izolator	insulator	ps913.2024-9-63
63a	garnitura	gasket	ps913.2024-9-63a
64	carburator	carburetor	ps913.2024-9-64
65	garnitura carburator	gasket carburetor	ps913.2024-9-65



Nr.crt	Denumire produs	Product name	Cod comanda
66	clema	clip	ps913.2024-9-66
67	rezervor combustibil	Fuel tank	ps913.2024-9-67
67a	ansamblu rezervor	fuel tank assy	ps913.2024-9-67a
68	sita	filter screen	ps913.2024-9-68
69	buson rezervor	cap	ps913.2024-9-69
70	piulita	nut	ps913.2024-9-70
71	surub	screw	ps913.2024-9-71
72	furtun alimentare	tube	ps913.2024-9-72



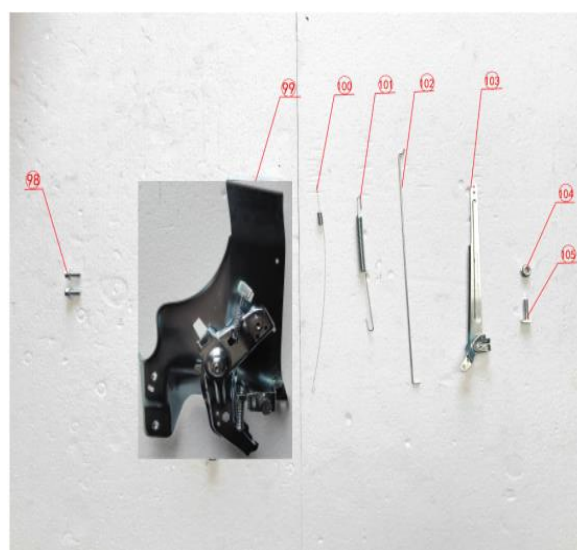
Nr.crt	Denumire produs	Product name	Cod comanda
73	furtun epurator	cleaning hose	ps913.2024-9-73
74	piulita	nut	ps913.2024-9-74
75	Piulita	nut	ps913.2024-9-75
76	Dop	cap	ps913.2024-9-76
77	Capac filtru aer	Cover	ps913.2024-9-77
78	Element filtrant	Filter	ps913.2024-9-78
79	Filtru	Filter	ps913.2024-9-79
80	Suport	Support	ps913.2024-9-80
81	Suport filtru	Support	ps913.2024-9-81
81a	Ansamblu filtru aer	Filter assy	ps913.2024-9-81a



Nr.crt	Denumire produs	Product name	Cod comanda
82	toba esapament	muffler	ps913.2024-9-82
83	garnitura toba esapament	gasket muffler	ps913.2024-9-83
85	piulita	nut	ps913.2024-9-85

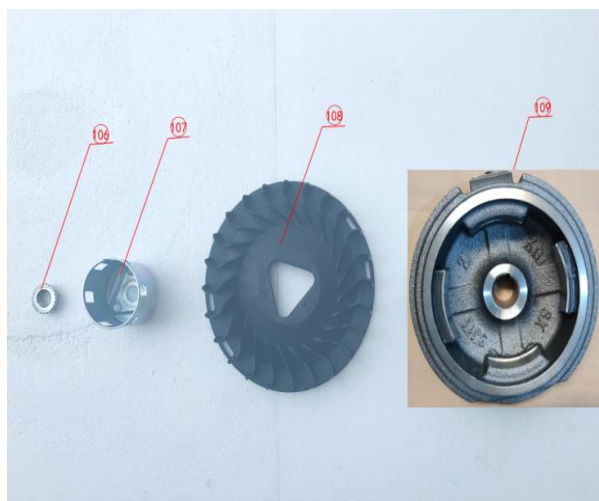


Nr.crt	Denumire produs	Product name	Cod comanda
86	dop	cap	ps913.2024-9-86
87	capac ventilator	wind scooper	ps913.2024-9-87
88	demaror	starter	ps913.2024-9-88
89	surub	screw	ps913.2024-9-89
90	surub	screw	ps913.2024-9-90
91	clema	clamp	ps913.2024-9-91

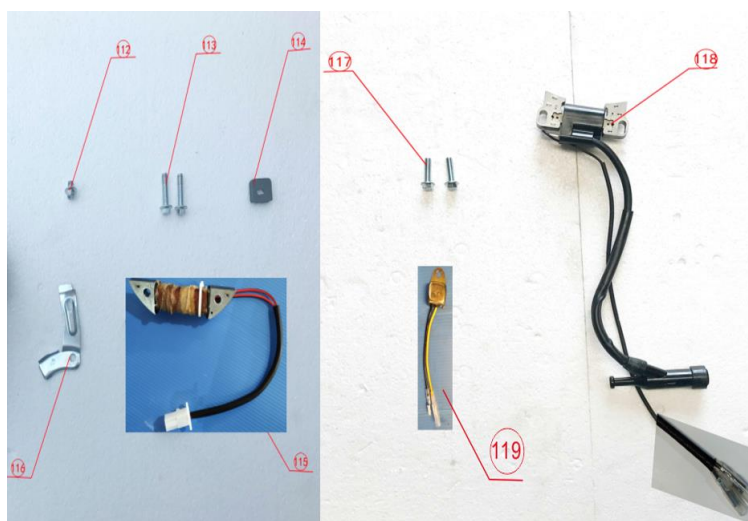


Nr.crt	Denumire produs	Product name	Cod comanda
98	surub	screw	ps913.2024-9-98
99	ansamblu maneta acceleratie	throttle control assy	ps913.2024-9-99

100	arc regulator	spring governor arm	ps913.2024-9-100
101	arc acceleratie	spring throttle	ps913.2024-9-101
102	tija regulator	rod governor arm	ps913.2024-9-102
103	brat regulator	arm governor	ps913.2024-9-103
104	piulita	nut	ps913.2024-9-104
105	surub	screw	ps913.2024-9-105



Nr.crt	Denumire produs	Product name	Cod comanda
106	piulita	nut	ps913.2024-9-106
107	cuplaj	boot cup	ps913.2024-9-107
108	ventilator	fan cooling	ps913.2024-9-108
109	volanta	flywheel	ps913.2024-9-109



Nr.crt	Denumire produs	Product name	Cod comanda
112	surub	screw	ps913.2024-9-112
113	surub	screw	ps913.2024-9-113
114	manson	sleeve	ps913.2024-9-114
115	modul incarcare	charge coil	ps913.2024-9-115
116	placa	plate	ps913.2024-9-116
117	surub	screw	ps913.2024-9-117
118	modul apindere	ignition coil	ps913.2024-9-118
119	condensator	capacitor	ps913.2024-9-119