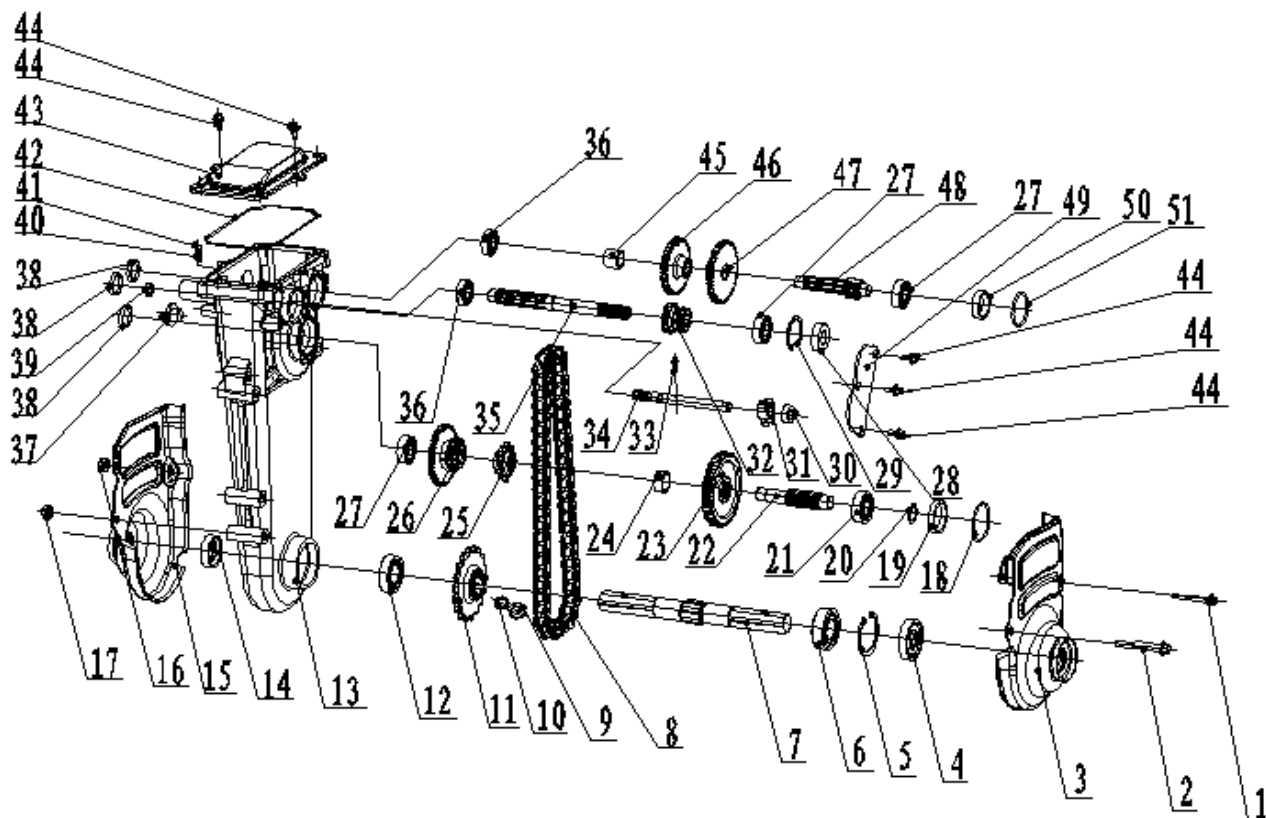


## Documentatie tehnica motosapa 6500fr / 7000fr

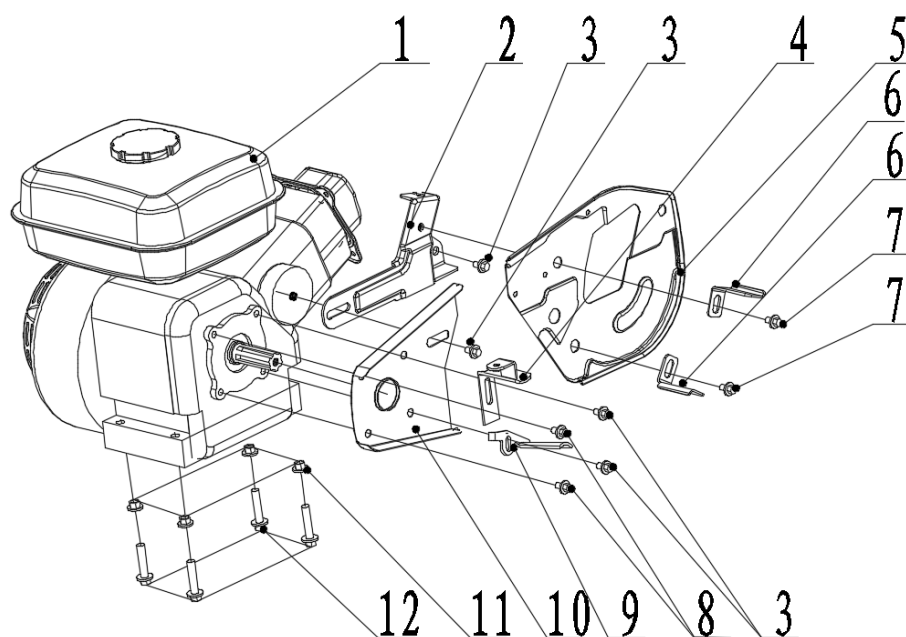


Nr.crt	Deminire produs	Product name	Cod comanda
1	surub m6x45	HEXAGON FLANGE BOLT M6×45	ps6500fr-1-1
2	surub m8x60	HEXAGON FLANGE BOLT M8×60	ps6500fr-1-2
3	protectie stanga	LEFT SHIELD	ps6500fr-1-3
4	simering 25x52x9	OIL SEAL $\varphi$ 25× $\varphi$ 52×9	ps6500fr-1-4
5	zeger 52	CHECK RING 52	ps6500fr-1-5
6	rulment 6205	Bearing 6205	ps6500fr-1-6
7	ax hexagonal	HEXAGON OUTPUT SHAFT	ps6500fr-1-7
8	lant	CHAIN	ps6500fr-1-8
9	surub m10x1.25x12	HEXAGON FLANGE BOLT M10×1.25×12	ps6500fr-1-9
10	saiba	WASHER	ps6500fr-1-10
11	roata lant	DRIVEN SPROCKET	ps6500fr-1-11
12	rulment 6005	Bearing 6005	ps6500fr-1-12
13	carcasa reductor	GEARBOX	ps6500fr-1-13
14	simering 25x41x9	OIL SEAL $\varphi$ 25× $\varphi$ 41×9	ps6500fr-1-14
15	protectie dreapta	RIGHT SHIELD	ps6500fr-1-15

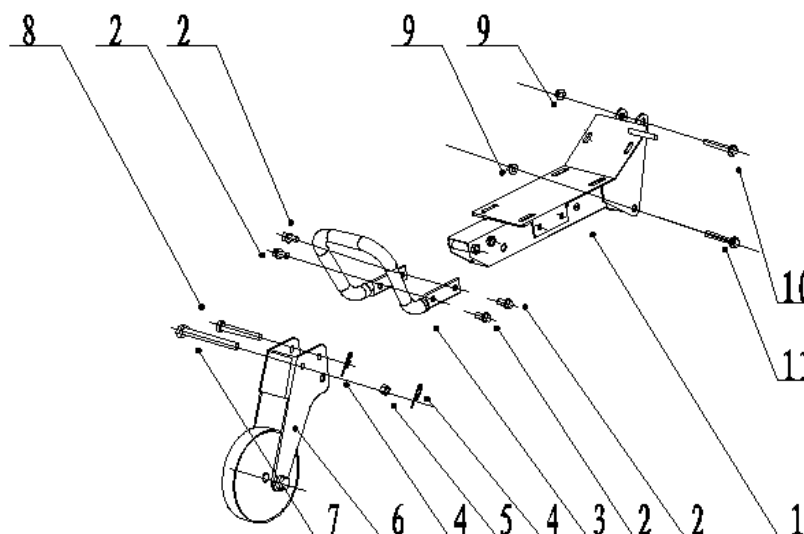
## Producător motoutilaje

## Documentatie tehnică

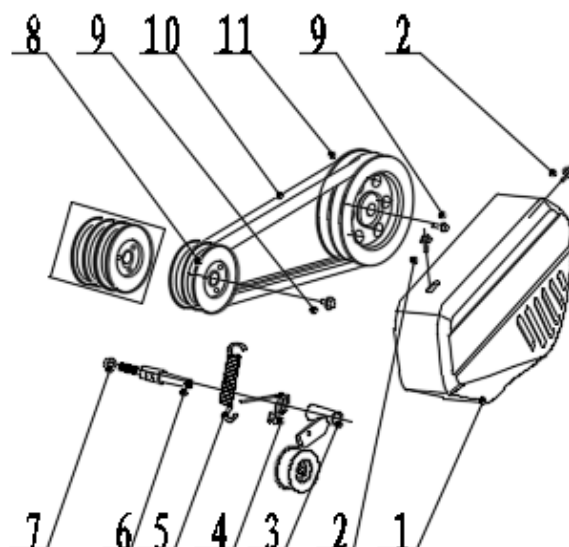
16	piulita m6	HEXAGON FLANGE NUT M6	ps6500fr-1-16
17	piulita m8	HEXAGON FLANGE NUT M8	ps6500fr-1-17
18	pring 45x2.65	O-RING $\varphi 45 \times 2.65$	ps6500fr-1-18
19	distantier 36x41x7	STOP RING II $\varphi 36 \times \varphi 41 \times 7$	ps6500fr-1-19
20	bucsa 17x26x1	WASHER $\varphi 17.5 \times \varphi 26 \times 1.0$	ps6500fr-1-20
21	rulment 6203	Bearing 6203	ps6500fr-1-21
22	ax	DRIVING SHAFT	ps6500fr-1-22
23	pinion	DRIVING GEAR	ps6500fr-1-23
24	distantier 20.5x26x11	SHAFT HOUSING II $\varphi 20.5 \times \varphi 26 \times 11$	ps6500fr-1-24
25	pimion lant	DRIVING SPROCKET	ps6500fr-1-25
26	pinion marsarier	REVERSE TWO-THROW GEAR	ps6500fr-1-26
27	rulment 6202	Bearing 6202	ps6500fr-1-27
28	simering 15x35x7	OIL SEAL $\varphi 15 \times \varphi 35 \times 7$	ps6500fr-1-28
29	zegher 35	CHECK RING 35	ps6500fr-1-29
30	simering 12x22x6	OIL SEAL $\varphi 12 \times \varphi 22 \times 6$	ps6500fr-1-30
31	furca	SHIFTING SPRING	ps6500fr-1-31
32	pinion	TWO-THROW GEAR	ps6500fr-1-32
33	surub m6x20	HEXAGON FLANGE BOLT M6x20	ps6500fr-1-33
34	ax	SHIFT FORK SHAFT	ps6500fr-1-34
35	ax	MAIN SHAFT	ps6500fr-1-35
36	rulment 6002	BEARING 6002	ps6500fr-1-36
37	buson ulei	OIL RULER	ps6500fr-1-37
38	dop 28x24x6	OIL PLUG (BIG)/ $\varphi 28 \times \varphi 24 \times 6$	ps6500fr-1-38
39	dop 16x13.5x5.5	OIL PLUG (SMALL)/ $\varphi 16 \times \varphi 13.5 \times 5.5$	ps6500fr-1-39
40	arc 1x6x20	SHIFTING SPRING/ $\varphi 1 \times \varphi 6 \times 20$	ps6500fr-1-40
41	bila 6.3	STEEL BALL $\varphi 6.3$	ps6500fr-1-41
42	gartnitura	SEALING RING	ps6500fr-1-42
43	capac	GEAR BOX COVER	ps6500fr-1-43
44	surub m6x12	HEXAGON FLANGE BOLT M6x12	ps6500fr-1-44
45	distantier 18.5x23.18	SHAFT HOUSING $\varphi 18.5 \times \varphi 23 \times 18$	ps6500fr-1-45
46	pinion	COUNTER SHAFT GEAR TWO	ps6500fr-1-46
47	pinion	COUNTER SHAFT GEAR ONE	ps6500fr-1-47
48	ax	COUNTER SHAFT	ps6500fr-1-48
49	capac	OIL STOPPER	ps6500fr-1-49
50	distantier	STOP RING I	ps6500fr-1-50
51	oring 40x2.65	O-RING $40 \times 2.65$	ps6500fr-1-51



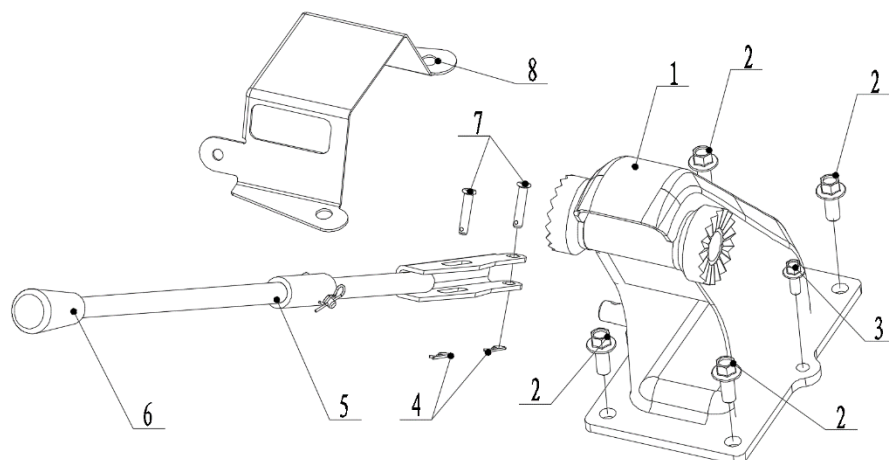
Nr.crt	Denumire produs	Product name	Cod comanda
1	motor 170f	H170F GASOLINE ENGINE	ps6500fr-2-1
2	intinzator	TENSIONER SUPPORT	ps6500fr-2-2
3	surub m8x16	HEXAGON FLANGE BOLT M8×16	ps6500fr-2-3
4	limitator	TENSIONER PLATE A	ps6500fr-2-4
5	protectie curea	DRIVING PULLEY PLATE	ps6500fr-2-5
6	limitator	TENSIONER PLATE C	ps6500fr-2-6
7	surub m6x12	HEXAGON FLANGE BOLT M6×12	ps6500fr-2-7
8	surub m8x12	HEXAGON FLANGE BOLT M8×12	ps6500fr-2-8
9	limitator	TENSIONER PLATE B	ps6500fr-2-9
10	protectie curea	Active pulley floor	ps6500fr-2-10
11	piulita m8	NUT M8	ps6500fr-2-11
12	surub m8x35	BOLT M8×35	ps6500fr-2-12



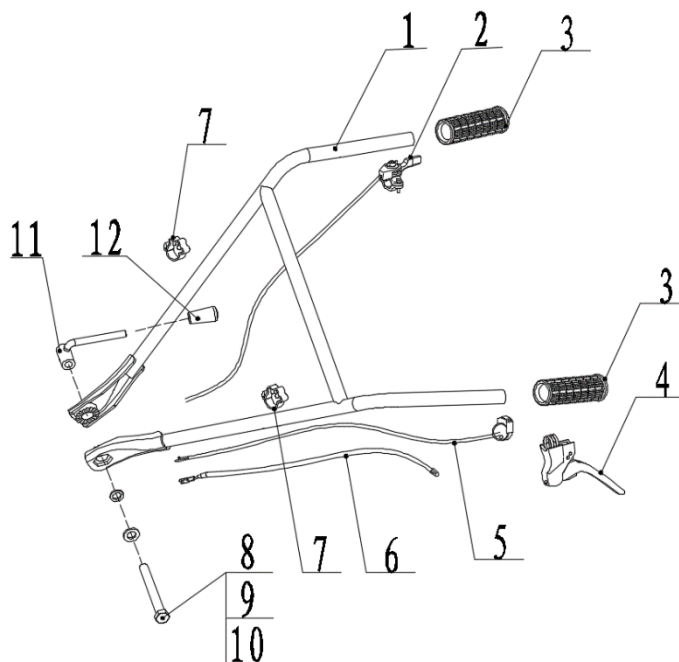
Nr.crt	Denumire produs	Product name	Cod comanda
1	suport motor	ENGINE SUPPORT	ps6500fr-3-1
2	surub m8x16	BOLT	ps6500fr-3-2
3	bara	BUMPER	ps6500fr-3-3
4	siguranta 2x25	PIN $\phi 2 \times 25$	ps6500fr-3-4
5	piulita m10	NUT M10	ps6500fr-3-5
6	roata fata	FRONT WHEEL	ps6500fr-3-6
7	surub m10x85	BOLT M10 $\times$ 85	ps6500fr-3-7
8	bolt 10x70	B PIN 10 $\times$ 70	ps6500fr-3-8
9	piulita m8	NUT M8	ps6500fr-3-9
10	surub m8x65	BOLT M8 $\times$ 65	ps6500fr-3-10
11	surub m8x60	BOLT M8 $\times$ 60	ps6500fr-3-11



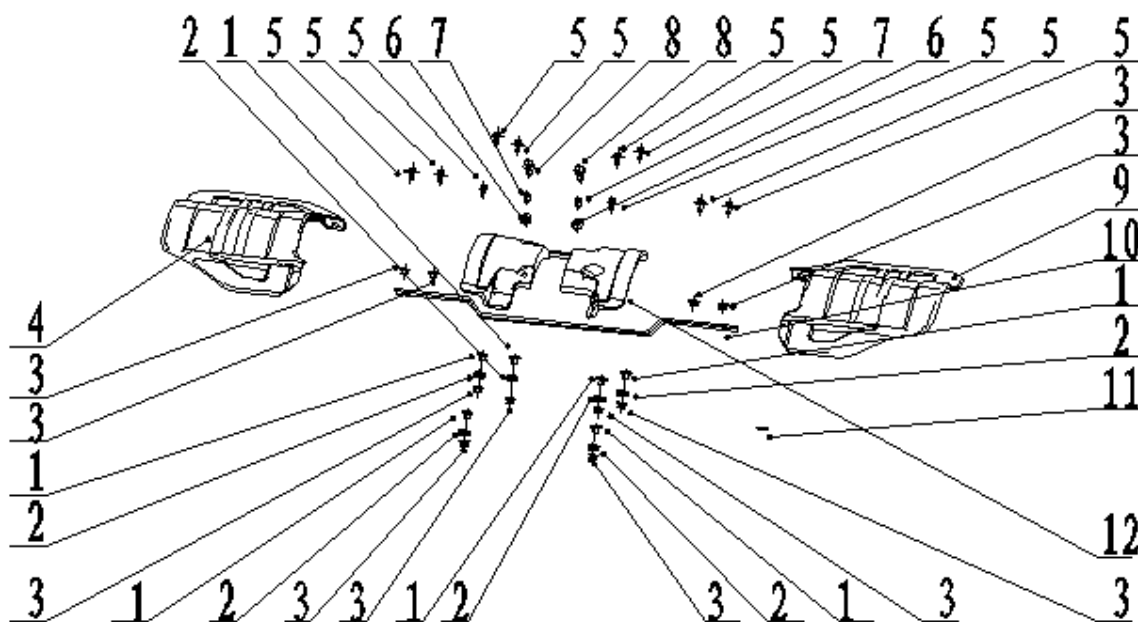
Nr.crt	Denumire produs	Product name	Cod comanda
1	protectie curea	BELT COVER	ps6500fr-4-1
2	surub m6x10	HEXAGON FLANGE BOLT M6x10	ps6500fr-4-2
3	brat intinzator	TENSION PULLEY COMPONENTS	ps6500fr-4-3
4	arc	TENSIONER RETURN SPRING	ps6500fr-4-4
5	arc	TENSIONER SPRING	ps6500fr-4-5
6	ax	TENSION WHEEL CORE SHAFT	ps6500fr-4-6
7	piulita m8	HEXAGON FLANGE NUT M8	ps6500fr-4-7
8	fulie dubla	DRIVING BELT ASSY	ps6500fr-4-8
9	surub m8x20	HEXAGON FLANGE BOLT M8x20	ps6500fr-4-9
10	curea	v BELT	ps6500fr-4-10
11	fulie dubla	DRIVEN BELT ASSY	ps6500fr-4-11



Nr.crt	Denumire produs	Product name	Cod comanda
1	suport coarne	Handle sets	ps6500fr-5-1
2	surub m8x20	Bolt M8×20	ps6500fr-5-2
3	surub m6x16	Bolt M6×16	ps6500fr-5-3
4	siguranta	R Pin	ps6500fr-5-4
5	levier schimbator	Gear shift lever assembly	ps6500fr-5-5
6	manson	Manipulation of slab	ps6500fr-5-6
7	bolt	Pin	ps6500fr-5-7
8	ghidaj	Shift cover	ps6500fr-5-8

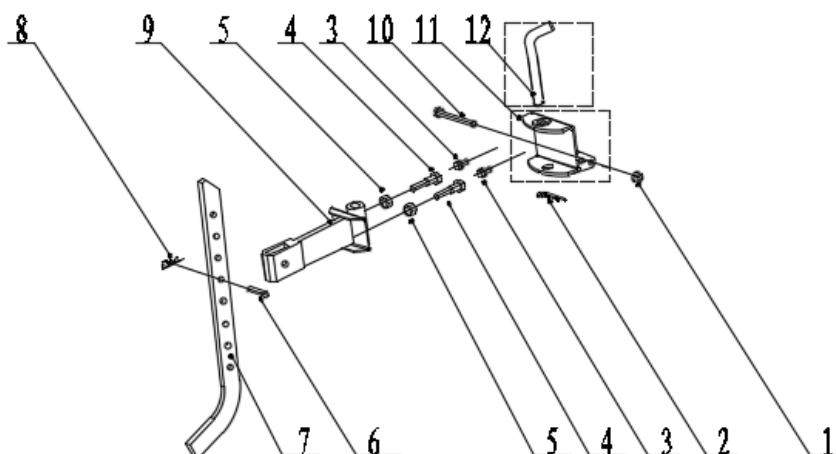


Nr.crt	Denumire produs	Product name	Cod comanda
1	coarne	Handle bar	ps6500fr-6-1
2	ansamblu maneta acceleratie	Throttle switch assembly	ps6500fr-6-2
3	manson	Armrest slab	ps6500fr-6-3
4	maneta marsarier	Reverse knob (CE)	ps6500fr-6-4
5	buton on/off	flame rollout switch	ps6500fr-6-5
6	cablu intinzator	Clutch cable	ps6500fr-6-6
7	clema	Line Card	ps6500fr-6-7
8	surub	Bolt	ps6500fr-6-8
9	saiba grower	spring washer	ps6500fr-6-9
10	saiba 8	flat washer 8	ps6500fr-6-10
11	manar starngere	Lift the handle	ps6500fr-6-11
12	manson	Gum cover	ps6500fr-6-12

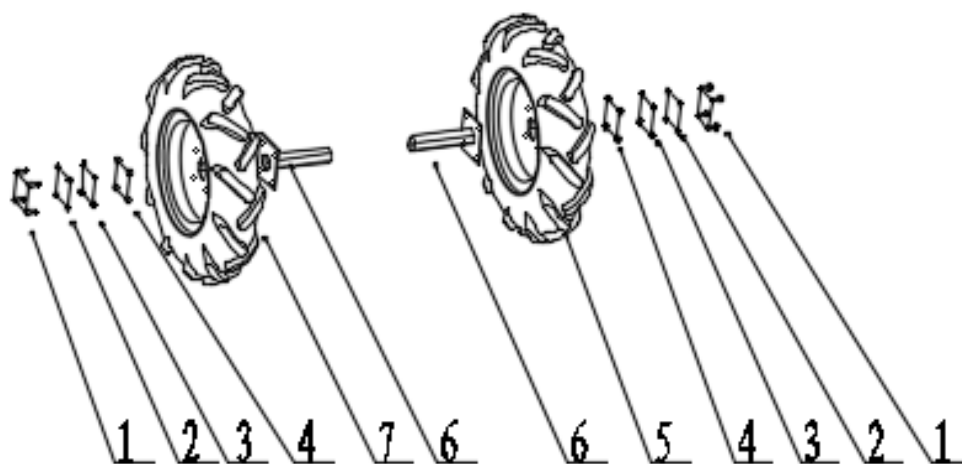


Nr.crt	Denumire produs	Product name	Cod comanda
1	bucsa	FENDER BUSHING	ps6500fr-7-1
2	saiba	FENDER PLUG	ps6500fr-7-2
3	piulita m6	NUT M6	ps6500fr-7-3
4	aripa stanga	LEFT-SIDE FENDER	ps6500fr-7-4
5	surub m6x20	BOLT M6×20	ps6500fr-7-5
6	piulita m8	NUT M8	ps6500fr-7-6
7	bucsa	INNER FENDER BUSHING	ps6500fr-7-7
8	surub m8x25	BOLT M8×25	ps6500fr-7-8
9	aripa dreapta	RIGHT -SIDE FENDER	ps6500fr-7-9
10	suport aripa	MUD DFENDER SUPPORT-REAR	ps6500fr-7-10
11	saiba	PAPER PAD Ø6	ps6500fr-7-11
12	semiaripa	INNER FENDER	ps6500fr-7-12

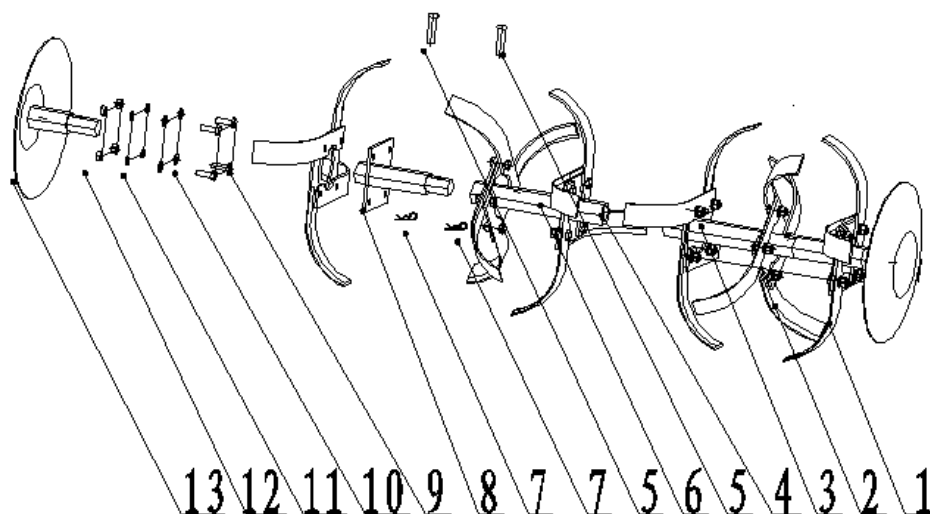




Nr.crt	Denumire produs	Product name	Cod comanda
1	piulita m10	HEXAGON FLANGE NUT M10	ps6500fr-8-1
2	siguranta 3x20x60	βPIN φ3×20×60	ps6500fr-8-2
3	surub m10x25	HEXAGON FLANGE BOLT M10×25	ps6500fr-8-3
4	surub m10x55	HEXAGON FLANGE BOLT M10×65	ps6500fr-8-4
5	piulita m10	HEXAGON FLANGE NUT M10	ps6500fr-8-5
6	bolt 10x40	B PIN 10×40	ps6500fr-8-6
7	picoir adancime	RESISTANCE BAR	ps6500fr-8-7
8	siguranta 2x9x38	βPIN φ2×9×38	ps6500fr-8-8
9	suport picior	CONNECTOR	ps6500fr-8-9
10	surub m10x85	HEXAGON FLANGE BOLT M10×85	ps6500fr-8-10
11	suport	PULLEY COSRP	ps6500fr-8-11
12	bolt 10x40	THUMBLOCK	ps6500fr-8-12



Nr.crt	Denumire produs	Product name	Cod comanda
1	surub m10x25	Bolt M10×25	ps6500fr-9-1
2	saiba 10	Flat pad 10	ps6500fr-9-2
3	saiba grower 10	Spring washers 10	ps6500fr-9-3
4	piulita m10	Nut M10	ps6500fr-9-4
5	roata stanga	Left tyre assembly	ps6500fr-9-5
6	manicot	WHEEL SHAFT	ps6500fr-9-6
7	roata dreapta	Right tyre assembly	ps6500fr-9-7



Nr.crt	Denumire produs	Product name	Cod comanda
1	cutit stanga	LEFT BLADE	ps6500fr-10-1
2	cutit dreapta	RIGHT BLADE	ps6500fr-10-2
3	ansamblu fraza stanaga	LEFT BLADES ASSY	ps6500fr-10-3
4	ansamblu fraza dreapta	RIGHT BLADE ASSY	ps6500fr-10-4
5	bolt 8x40	B PIN 8X40	ps6500fr-10-5
6	manicot	MAIN BLADE CYLINDER	ps6500fr-10-6
7	siguranta 2x9x38	βPIN φ2×9×38	ps6500fr-10-7
8	manicot	VICE BLADE CYLINDER	ps6500fr-10-8
9	surub m8x25	HEXAGON FLANGE BOLT M8x25	ps6500fr-10-9
10	saiba 8	FLAT WASHER 8	ps6500fr-10-10
11	saiba grower 8	SPRING WASHER 8	ps6500fr-10-11
12	piulita m8	HEXAGON FLANGE NUT M8	ps6500fr-10-12
13	taler	DISC	ps6500fr-10-13