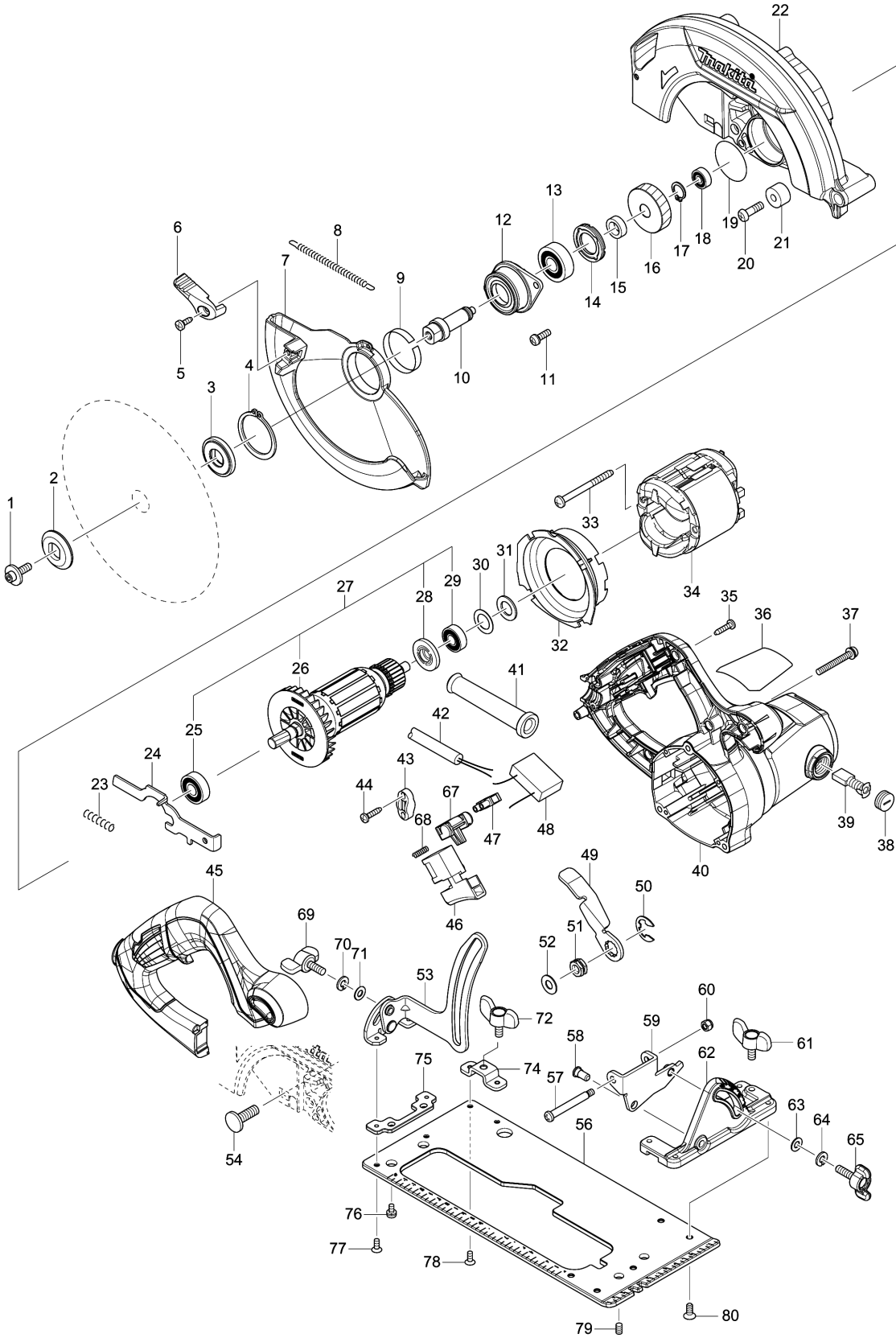


Model No.HS7601 CIRCULAR SAW 190MM



Model No.HS7601 CIRCULAR SAW 190MM

Položka	Objednávacie číslo	Popis	Zmena	ks	New/Old	Možnosť 1	Možnosť 2	Poznámka
001	266024-8	HEX. SOCKET HEAD BOLT M6X20		1				
002	224409-4	OUTER FLANGE 35		1				
003	224473-5	INNER FLANGE 35		1	*			
003-1	224593-5	INNER FLANGE 35	<	1				
004	961155-5	RETAINING RING S-38		1				
005	266034-5	TAPPING SCREW CT 4X16		1				
006	272258-3	LEVER 37		1				
007	319188-8	SAFETY COVER		1				
008	231887-1	TENSION SPRING 4		1				
009	345391-5	THICKNESS RING		1				
010	326444-9	SPINDLE		1				
011	911226-8	PAN HEAD SCREW M5X18		2				
012	319088-2	BEARING BOX		1				
013	211129-9	BALL BEARING 6201DDW		1				
014	285852-2	BEARING RETAINER 19-33		1				
015	257173-2	RING 12		1				
016	227793-6	HELICAL GEAR 38		1				
017	961052-5	RETAINING RING S-12		1				
018	210028-2	BALL BEARING 606ZZ		1				
019	213512-6	O RING 39		1				
020	265117-8	+PAN HEAD SCREW M6X20		1				
021	262556-3	RUBBER SLEEVE 6		1				
022	142796-8	BLADE CASE COMPLETE		1				
C10	213445-5	O-RING 26		1	*			
C11	213821-3	O-RING 26	<	1				
023	233117-6	COMPRESSION SPRING 6		1				
024	345317-7	SHAFT LOCK		1				
025	210059-1	BALL BEARING 6000DDW		1				
026	240064-4	FAN 70		1	*			
026-1	240214-1	FAN 70	O	1				
027	513909-2	ARMATURE ASS'Y 240V		1				
D10		INC. 25,26,28,29						
028	681644-1	INSULATION WASHER		1				
029	210005-4	BALL BEARING 608DDW		1				
030	253192-6	FLAT WASHER 14		1				
031	261103-7	RUBBER WASHER 13		1				
032	455354-4	BAFFLE PLATE		1				
033	266329-6	TAPPING SCREW 5X60		2	*			
033-1	265A86-9	TAPPING SCREW 5X60	O	2				
034	594649-1	FIELD ASS'Y 240V		1				
C10	654020-2	RING TERMINAL		2				
C20	654501-6	CONNECTOR P-1.25		2				
035	266326-2	TAPPING SCREW 4X18		5				
036	850K55-9	HS7601 NAME PLATE		1				

Please order the parts with part number.

Print Date 9/9/2021

Model No.HS7601 CIRCULAR SAW 190MM

Položka	Objednávacie číslo	Popis	Zmena	ks	New/Old	Možnosť 1	Možnosť 2	Poznámka
037	265104-7	PAN HEAD SCREW M5X40		3				
038	643750-0	BRUSH HOLDER CAP 7-11		2				
039	191963-2	CARBON BRUSH CB-303		1				
040	142798-4	MOTOR HOUSING COMPLETE		1				
C10	643708-9	BRUSH HOLDER 5-11		2				
041	682540-6	CORD GUARD 9.3-90		1				
042	665865-3	POWER SUPPLY CORD 1.0-2-2.5		1				
043	687052-4	STRAIN RELIEF		1				
044	266326-2	TAPPING SCREW 4X18		2				
045	455362-5	HANDLE COVER		1				
046	650245-6	SWITCH SGE115CDY-10		1				
047	654532-5	TERMINAL BLOCK 1P		1				
048	645192-4	NOISE SUPPRESSOR		1				
049	346311-2	LEVER PLATE		1				
050	257953-6	BOW STOP RING E-12		1				
051	252199-9	HEX. NUT M8-13		1				
052	941201-0	FLAT WASHER 8		1				
053	163547-6	DEPTH GUIDE COMPLETE		1				
054	266396-1	FLATHEAD SQUARENECKBOLT M8X24		1				
056	346826-9	BASE		1				
057	265118-6	+ PAN HEAD SCREW M5		1				
058	256480-0	SHOULDER PIN 6-7		1				
059	346827-7	ANGULAR GUIDE		1				
060	252103-8	HEX. LOCK NUT M5-8		1				
061	265754-8	THUMB SCREW M6X12		1				
062	317031-5	ANGULAR PLATE		1				
063	941151-9	FLAT WASHER 6		1				
064	942151-2	SPRING WASHER 6		1	*			
064-1	253428-3	SPRING WASHER 6	O	1	*			
065	265765-3	THUMB SCREW M6X21		1				
067	453284-3	LOCK OFF BUTTON		1				
068	231469-9	COMPRESSION SPRING 4		1				
069	265755-6	THUMB SCREW M6X16		1				
070	942151-2	SPRING WASHER 6		1	*			
070-1	253428-3	SPRING WASHER 6	O	1	*			
071	941151-9	FLAT WASHER 6		1				
072	265754-8	THUMB SCREW M6X12		1				
074	346847-1	BRACKET		1				
075	346846-3	PLATE		1				
076	911106-8	PAN HEAD SCREW M4X8		2				
077	912107-9	COUNTERSUNK HEAD SCREW M4X8		2	*			
077-1	265085-5	+ COUNTERSUNK HEAD SCREW M4X8	<	2				
078	912107-9	COUNTERSUNK HEAD SCREW M4X8		2	*			

Please order the parts with part number.

Print Date 9/9/2021

Model No.HS7601 CIRCULAR SAW 190MM

Položka	Objednávacie číslo	Popis	Zmena	ks	New/Old	Možnosť 1	Možnosť 2	Poznámka
078-1	265085-5	+ COUNTERSUNK HEAD SCREW M4X8	<	2				
079	266436-5	H.S.SET SCREW(FLAT POINT)M5X8		2				
080	912212-2	COUNTERSUNK HEAD SCREW M5X12		5				
A01	783217-7	HEX. WRENCH 5		1	*			
A01-1	783203-8	HEX. WRENCH 5	O	1				
A02	164095-8	GUIDE RULE		1				
A03	B-07967	T.C.T.SAW BLADE 190X30X12T		1				
A04	196520-1	DUST NOZZLE SET		1				

Please order the parts with part number.

Print Date 9/9/2021