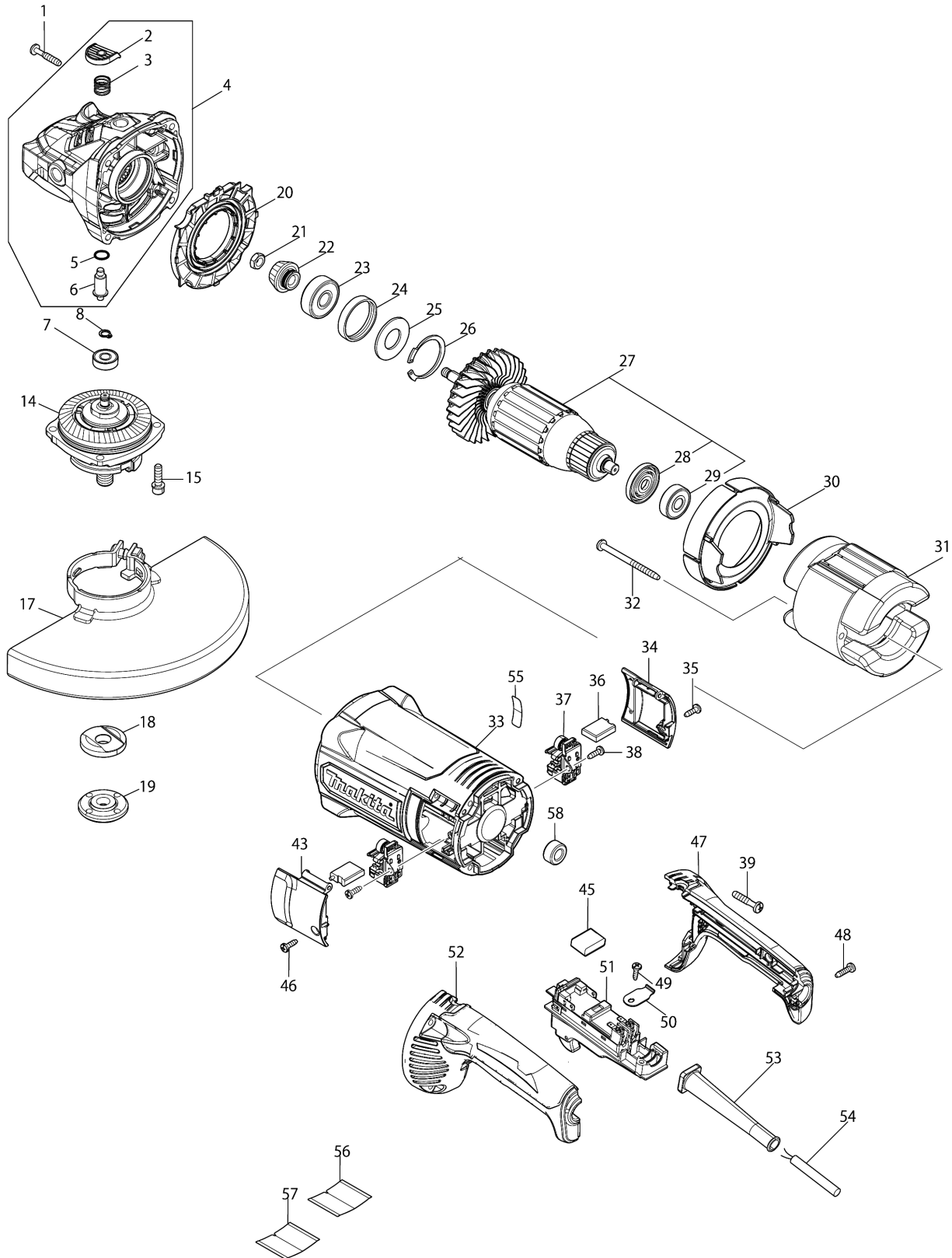


Model No.GA9082 230MM ANGLE GRINDER



## Model No.GA9082 230MM ANGLE GRINDER

Položka	Objednávacie číslo	Popis	Zmena	ks	New/Old	Možnosť 1	Možnosť 2	Poznámka
001	251489-7	TAPPING SCREW 5X30		4	*			
001-1	922253-0	H.S.H.BOLT M5X30 WITH WR	<	4				
002	413H41-9	PIN CAP		1				
003	233292-8	COMPRESSION SPRING 12		1				
004	136698-8	GEAR HOUSING ASSY		1				
C10	262118-7	FELT RING 18		1				
C20	263002-9	RUBBER PIN 4		1				
D10		INC. 2,3,5,6						
005	213062-1	O RING 9		1				
006	256491-5	SHOULDER PIN 5		1				
007	211032-4	BALL BEARING 608ZZ		1				
008	961004-6	RETAINING RING (EXT) S-8		1				
014	122C64-3	TORQUE LIMITER ASSEMBLY 230		1				
C10	213760-7	O RING 78		1				
C15	252429-8	NUT M15-23		1	*			
C16	252323-4	CIRCULAR NUT M15-23	<	1				
C20	232163-6	CUP SPRING 20		2				
C25	267798-4	LOCK WASHER		1				
C30	227492-0	SPIRAL BEVEL GEAR 53C		1				
C35	265120-9	PAN HEAD SCREW M5X16		3				
C40	285741-1	BEARING RETAINER 50		1				
C45	267167-9	FLAT WASHER 15		1				
C50	211278-2	BALL BEARING 6203DDW		1				
C55	312D39-8	BEARING BOX		1				
C60	141D62-4	SPINDLE COMPLETE		1				
015	265541-5	HEX. SOCKET HEAD BOLT M6X22		4				
017	122891-0	WHEEL COVER 230K ASSEMBLY		1				
C10	213017-6	O RING 6		1				
C20	265198-2	+PAN HEAD SCREW M8X25		1				
018	224490-5	INNER FLANGE 14-45		1				
019	224485-8	LOCK NUT 14-45		1				
020	456238-9	DIFFUSER		1				
021	252194-9	HEX. NUT M8		1				
022	227490-4	SPIRAL BEVEL GEAR 12		1				
023	211132-0	BALL BEARING 6301DDW		1				
024	262085-6	RUBBER RING 38		1				
025	267299-2	FLAT WASHER 20		1				
026	962211-4	RETAINING RING R-42		1				
027	511A29-2	ARMATURE ASS'Y 240V		1				
C10	240161-6	FAN 86		1				
D10		INC. 28,29						
028	681630-2	INSULATION WASHER		1				
029	211087-9	BALL BEARING 6200DDW		1				
030	456239-7	BAFFLE PLATE		1				

Please order the parts with part number.

Print Date 15/12/2022

## Model No.GA9082 230MM ANGLE GRINDER

Položka	Objednávacie číslo	Popis	Zmena	ks	New/Old	Možnosť 1	Možnosť 2	Poznámka
031	627086-5	FIELD 240V		1				
032	266038-7	TAPPING SCREW 5X70		2				
033	413599-0	MOTOR HOUSING		1				
034	456246-0	BRUSH HOLDER COVER R		1				
035	266385-6	TAPPING SCREW 4X14		1	*			
035-1	265B74-2	TAPPING SCREW 4X14	O	1				
036	191T31-1	CARBON BRUSH SET CB-224		1				
037	643715-2	BRUSH HOLDER		2				
038	266385-6	TAPPING SCREW 4X14		2	*			
038-1	265B74-2	TAPPING SCREW 4X14	O	2				
039	251489-7	TAPPING SCREW 5X30		4				
043	456245-2	BRUSH HOLDER COVER L		1				
045	645088-9	NOISE SUPPRESSOR		1				
046	266385-6	TAPPING SCREW 4X14		1	*			
046-1	265B74-2	TAPPING SCREW 4X14	O	1				
047	183C63-0	HANDLE SET		1				
D10		INC. 52						
048	266326-2	TAPPING SCREW 4X18		2	*			
048-1	265B67-9	TAPPING SCREW 4X18	O	2				
049	266385-6	TAPPING SCREW 4X14		1	*			
049-1	265B74-2	TAPPING SCREW 4X14	O	1				
050	687169-3	STRAIN RELIEF		1				
051	632F75-3	SWITCH UNIT		1				
052	183C63-0	HANDLE SET		1				
D10		INC. 47						
053	682573-1	CORD GUARD 10		1				
054	695107-1	POWER SUPPLY CORD 1.5-2-2.5		1				
055	811S87-9	GA9082 SERIAL NO. LABEL		1				
056	811S82-9	GA9082 NAME PLATE		1				
057	8038D3-7	CLEAR LABEL		1				
058	688131-1	LINE FILTER		1				
A01	143486-6	GRIP 37 COMPLETE		1				
A02	782034-2	LOCK NUT WRENCH 35		1				

Please order the parts with part number.

Print Date 15/12/2022