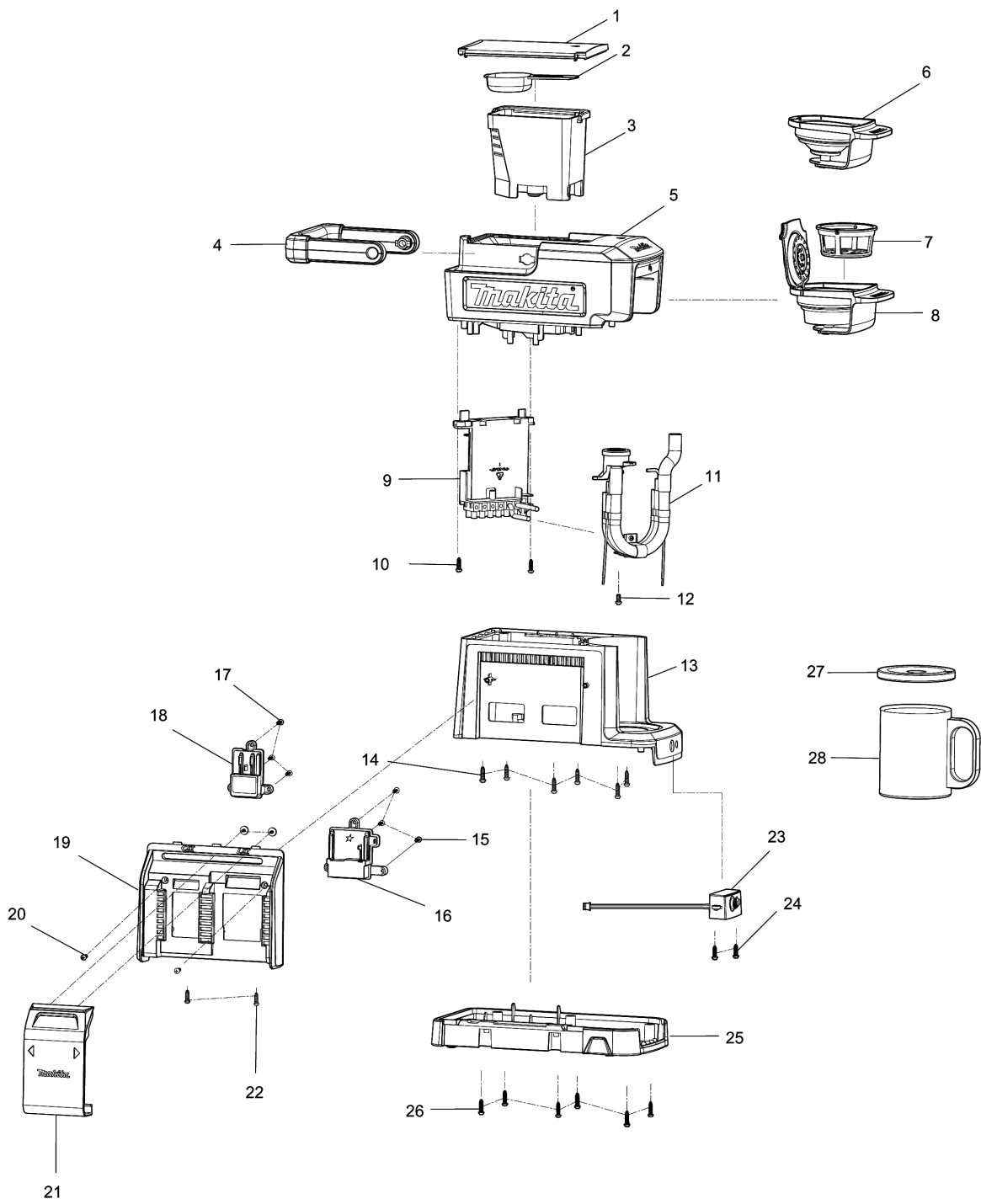


Model No.DCM501 CORDLESS COFFEE MAKER



Model No.DCM501 CORDLESS COFFEE MAKER

Položka	Objednávacie číslo	Popis	Zmena	ks	New/Old	Možnosť 1	Možnosť 2	Poznámka
001	KF00000034	WATER TANK COVER		1				
002	KF00000033	SPOON		1	*			
002-1	KF00000068	SPOON	O	1				
003	KF00000019	WATER TANK SET		1	*			
003-1	KF00000053	WATER TANK SET	O	1				
004	KF00000017	HANDLE SET(BLUE)		1				
005	KF00000010	TOP&MIDDLE COVER SET(BLUE)		1	*			
005-1	KF00000042	TOP&MIDDLE COVER SET(BLUE)	O	1	*			
005-2	KF00000063	TOP&MIDDLE COVER SET(BLUE)	O	1				
006	KF00000014	POD DRAWER		1	*			
006-1	KF00000045	POD DRAWER	O	1	*			
006-2	KF00000067	POD DRAWER	O	1				
007	KF00000013	FILTER SET		1	*			
007-1	KF00000066	FILTER SET	O	1				
008	KF00000012	DRAWER SET		1	*			
008-1	KF00000044	DRAWER SET	O	1	*			
008-2	KF00000065	DRAWER SET	O	1				
009	KF00000008	MAIN PCB SET		1	*			
009-1	KF00000070	MAIN PCB SET	O	1				
010	KF00000002	SCREW 3X12		2				
011	KF00000009	HEATING TUBE SET		1	*			
011-1	KF00000062	HEATING TUBE SET	O	1				
012	KF00000002	SCREW 3X12		1				
013	KF00000003	MAIN BODY (BLUE)		1	*			
013-1	KF00000060	MAIN BODY (BLUE)	O	1				
014	KF00000002	SCREW 3X12		6				
015	KF00000002	SCREW 3X12		3				
016	KF00000032	UNIVERSAL BATTERY HOLDER SET		1				
017	KF00000002	SCREW 3X12		3				
018	KF00000031	10.8V BATTERY HOLDER SET		1				
019	KF00000029	BATTERY BOX (BLUE)		1	*			
019-1	KF00000072	BATTERY BOX (BLUE)	O	1				
020	KF00000007	SCREW 3X10		2				
021	KF00000006	SLIDING COVER OF BATTERY SET		1	*			
021-1	KF00000071	SLIDING COVER OF BATTERY SET	O	1				
022	KF00000002	SCREW 3X12		2				
023	KF00000005	BUTTON PCB ASSEMBLY		1				
024	KF00000002	SCREW 3X12		2				
025	KF00000001	BASE SET		1				
C10	KF00000028	FOOT		4				
026	KF00000002	SCREW 3X12		6				
027	KF00000021	CUP COVER		1	*			

Model No.DCM501 CORDLESS COFFEE MAKER

Položka	Objednávacie číslo	Popis	Zmena	ks	New/Old	Možnosť 1	Možnosť 2	Poznámka
027-1	KF00000069	CUP COVER	0	1				
028	KF00000020	STAINLESS CUP		1	*			
028-1	KF00000020	STAINLESS CUP	0	1				

Please order the parts with part number.

Print Date 20/12/2021