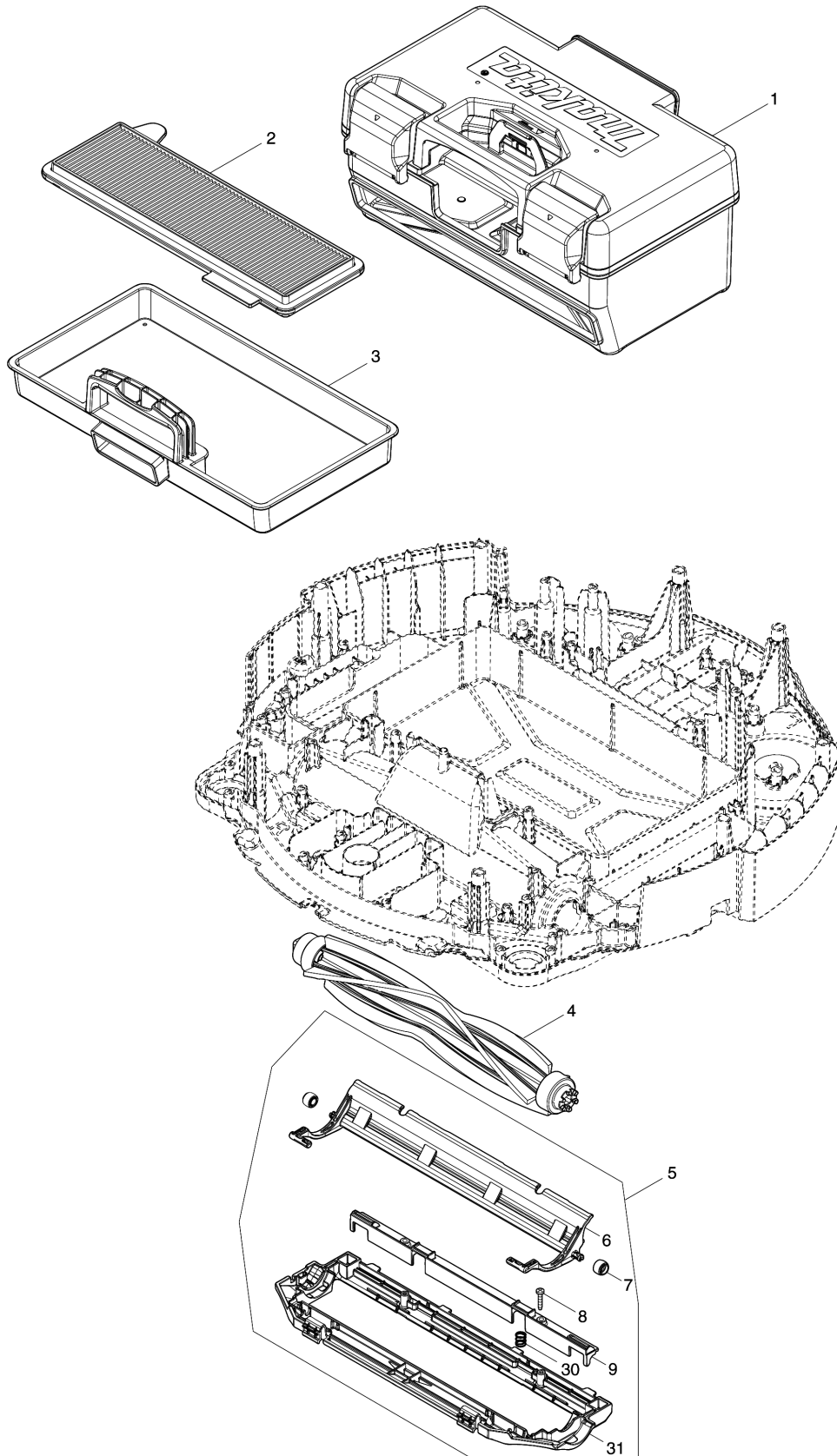
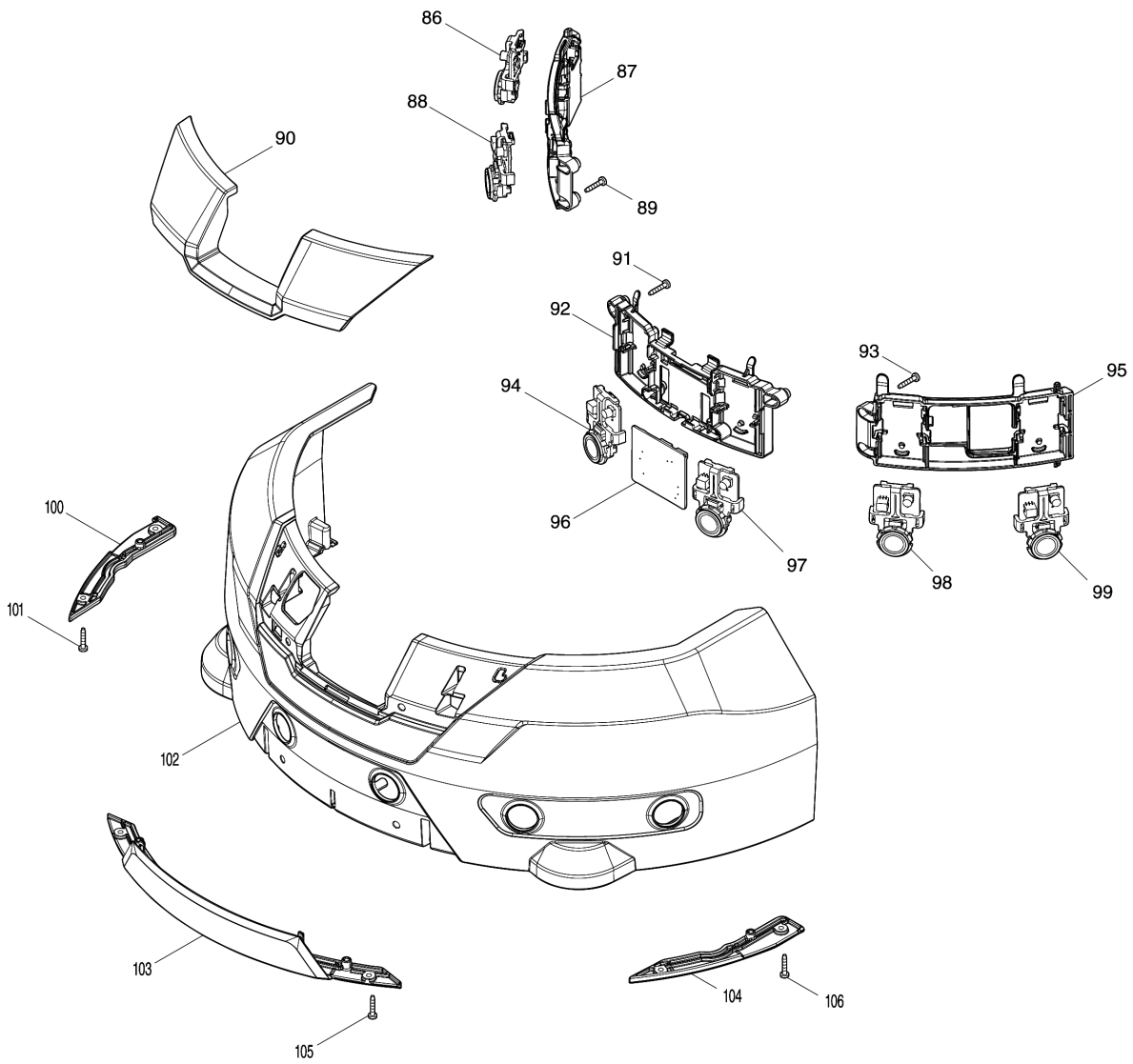


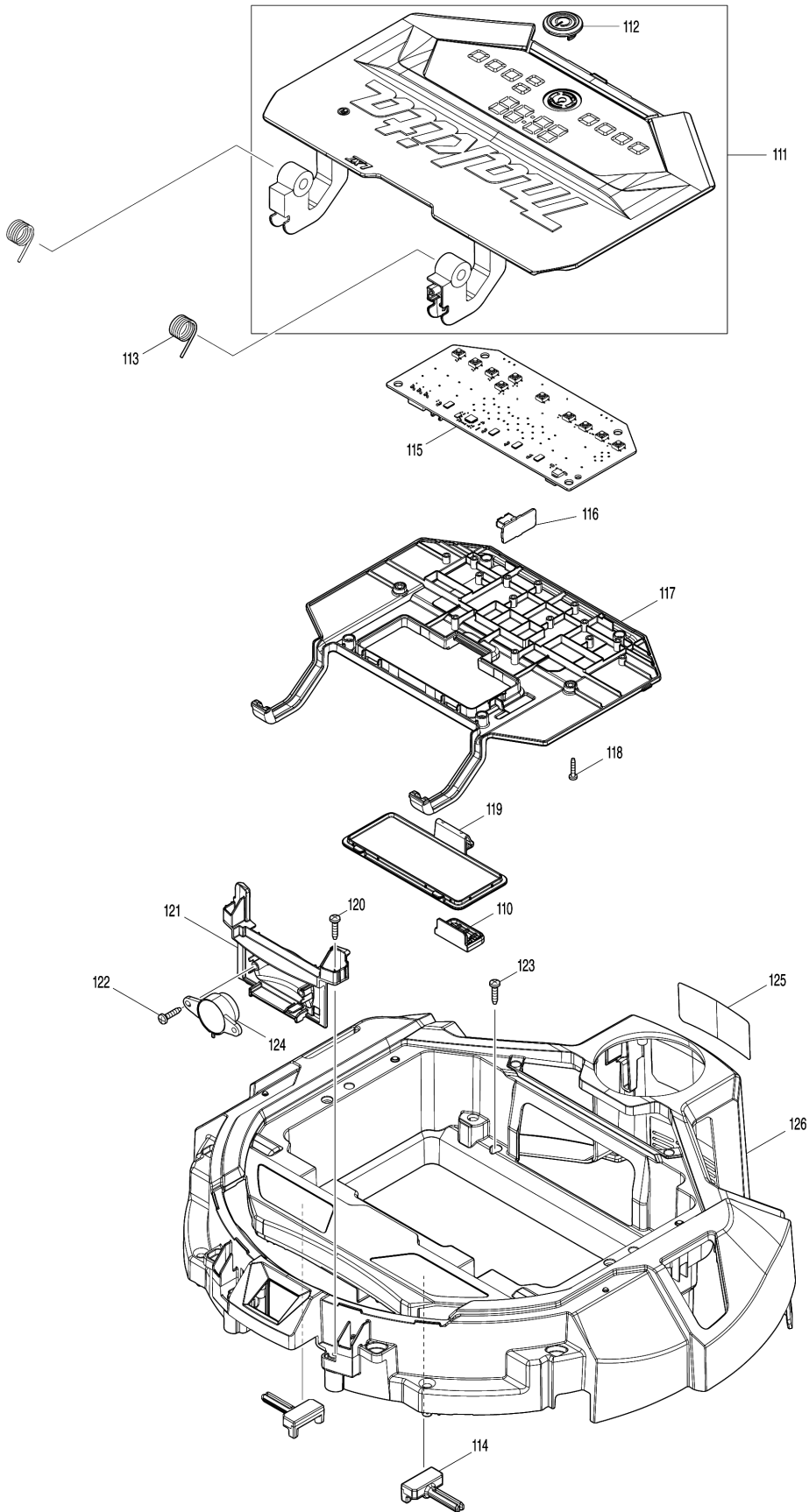
# Model No.DRC300 ROBOTIC CLEANER



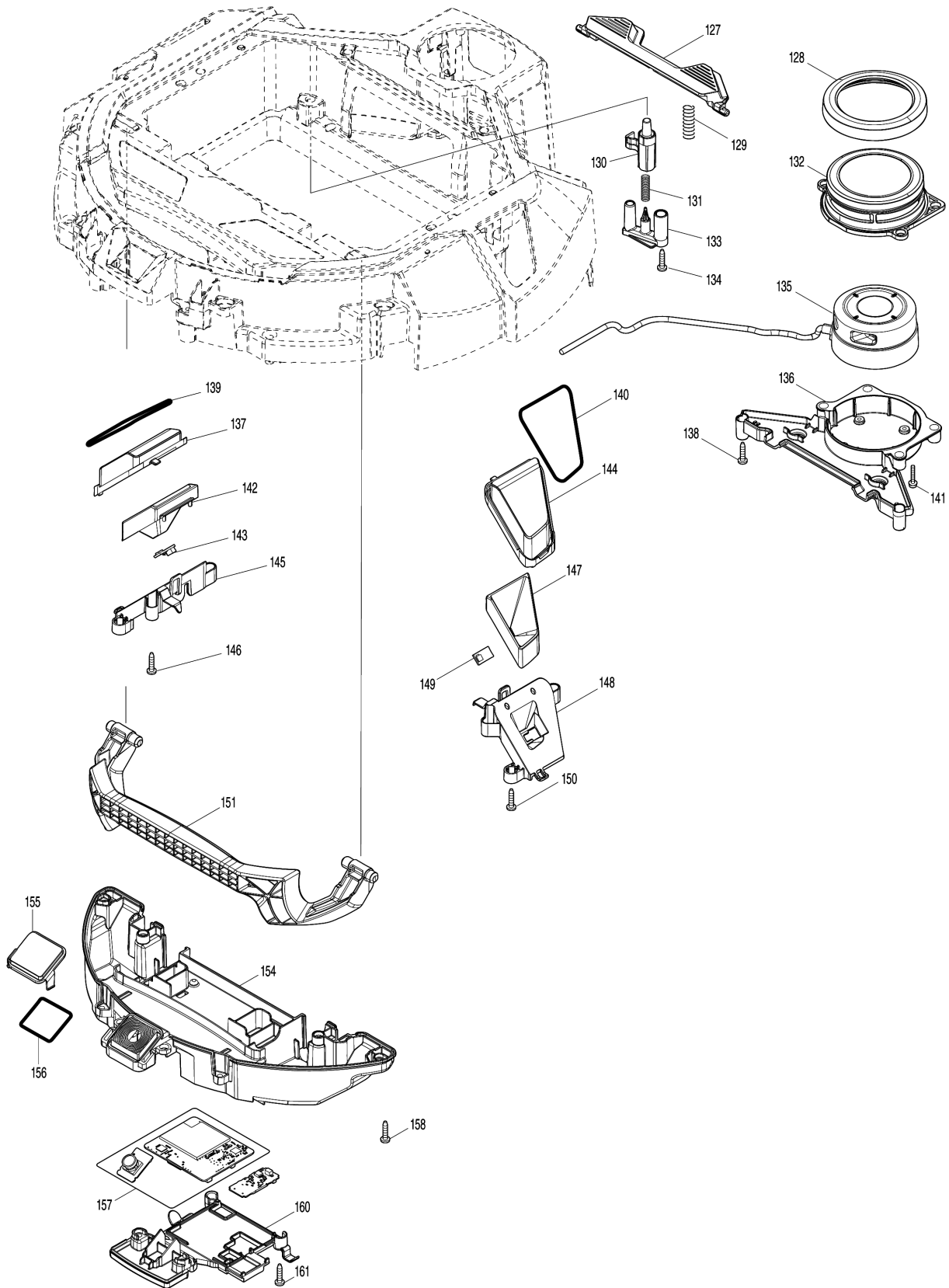
# Model No.DRC300 ROBOTIC CLEANER



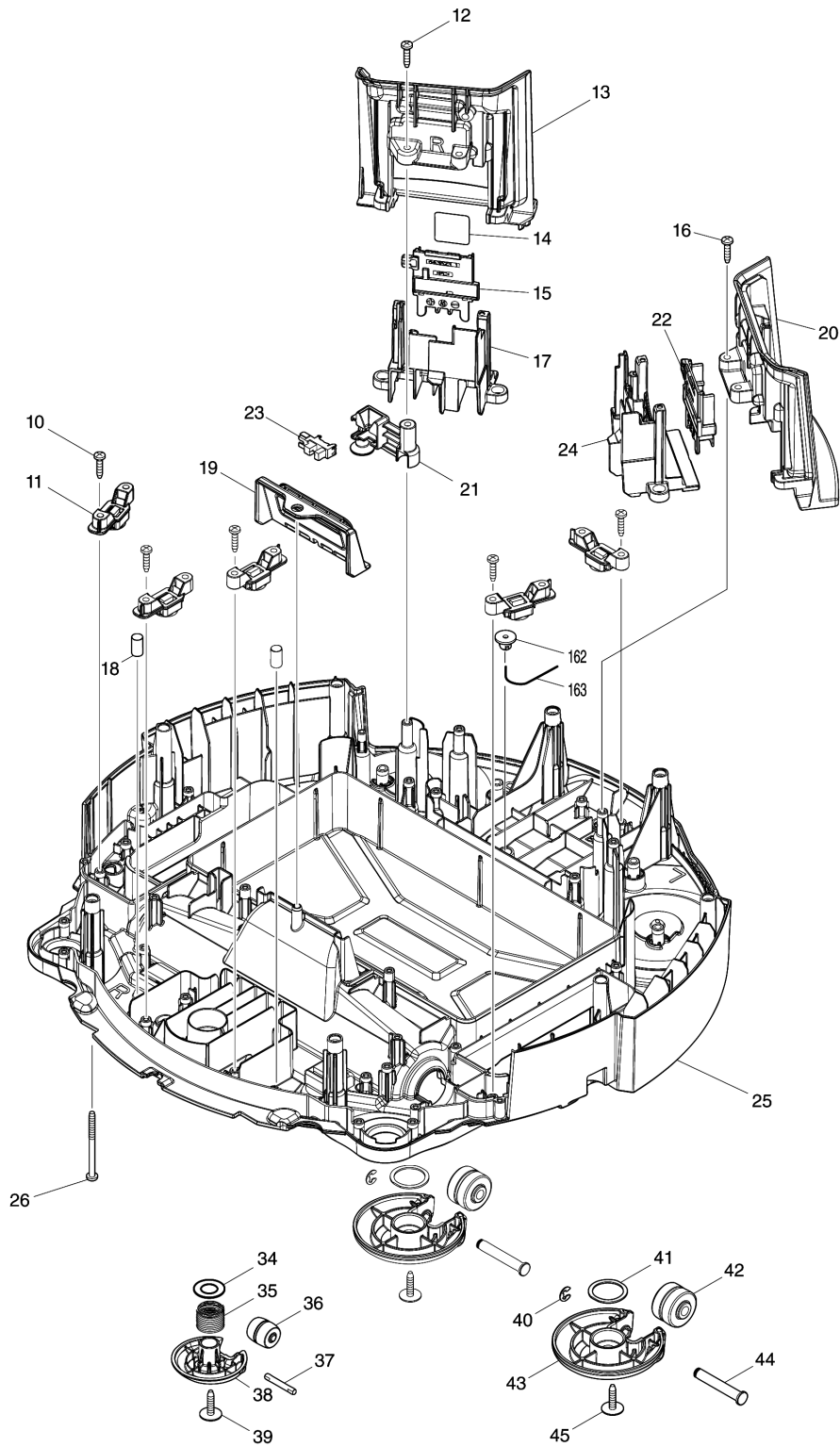
# Model No.DRC300 ROBOTIC CLEANER



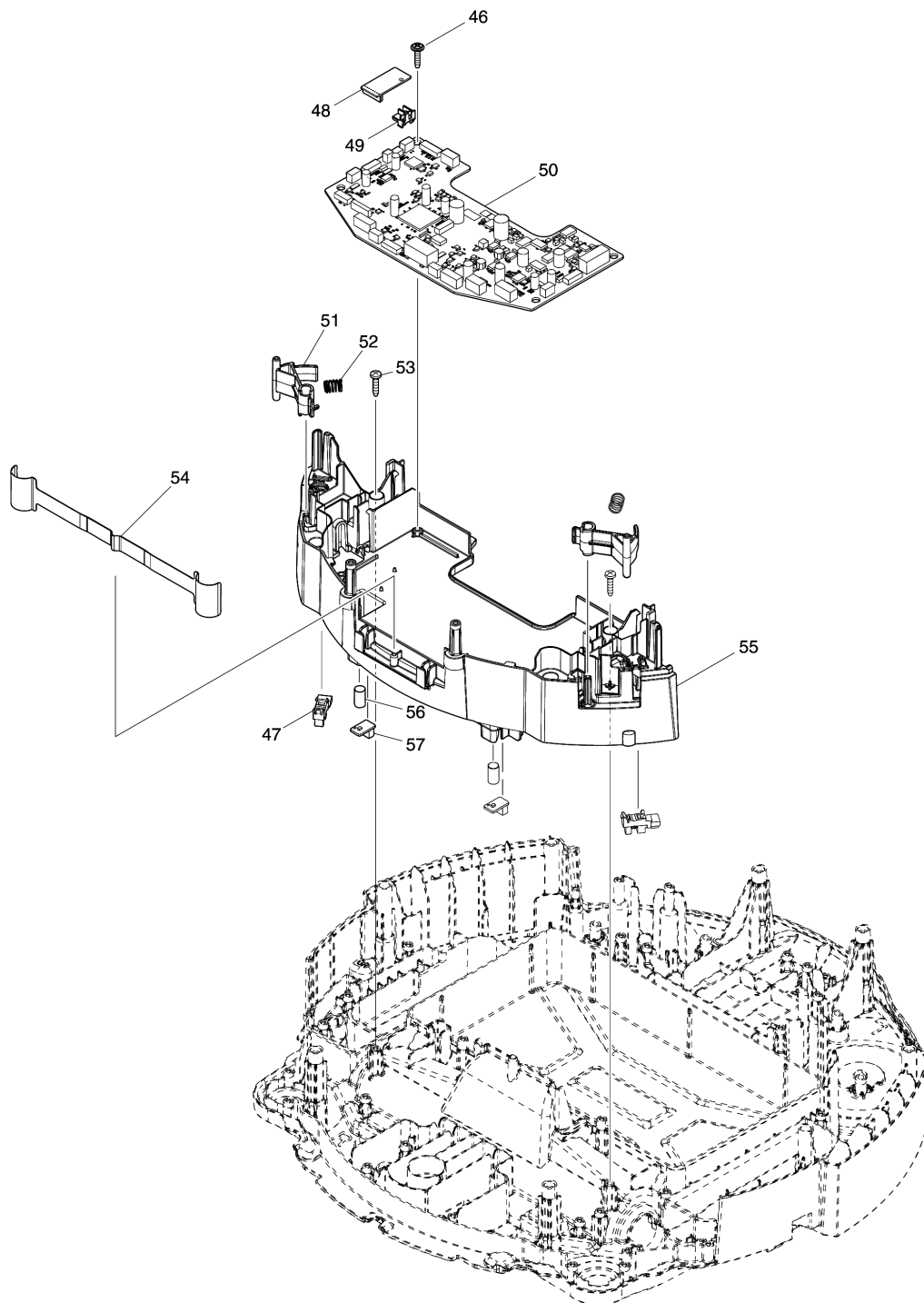
# Model No.DRC300 ROBOTIC CLEANER



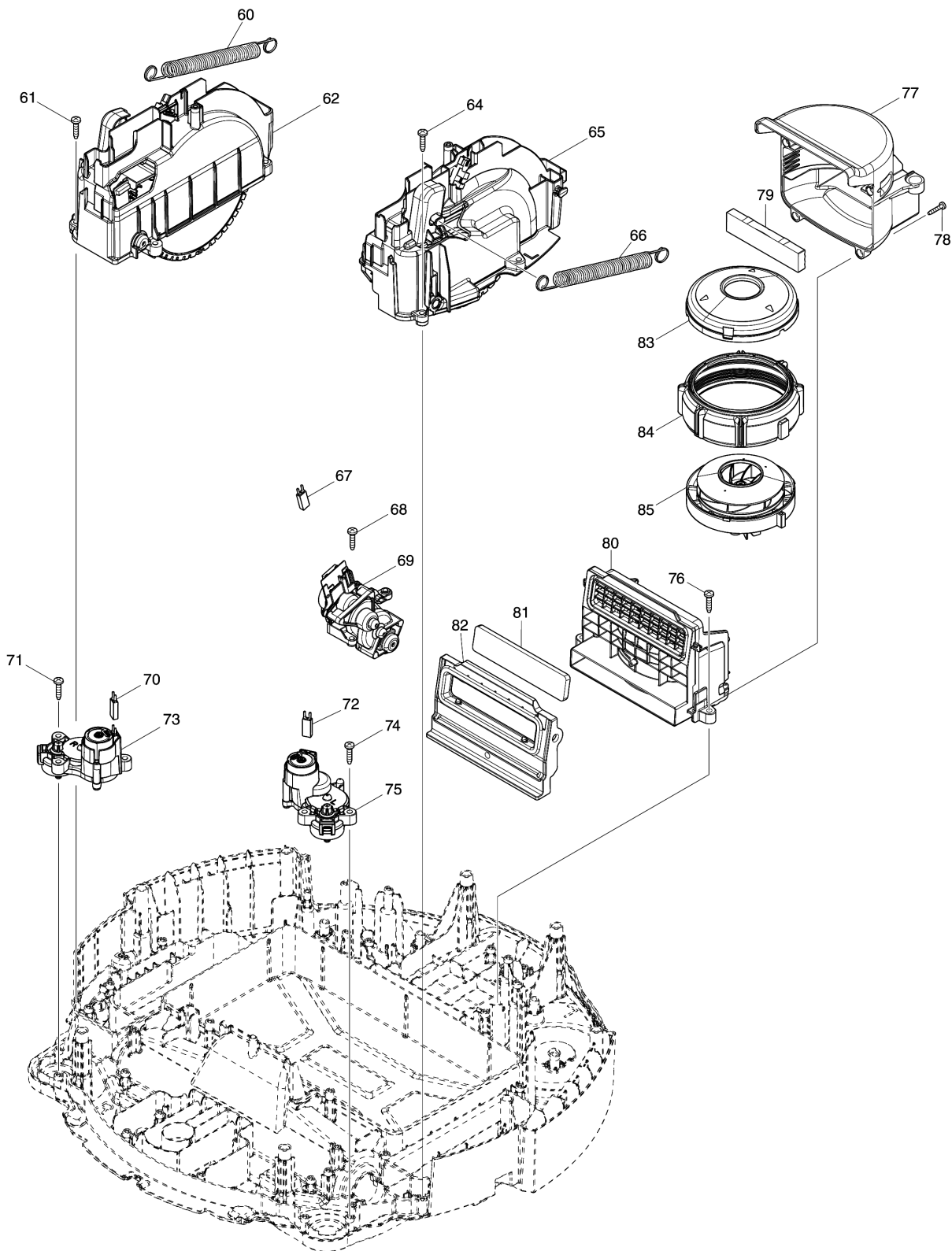
# Model No.DRC300 ROBOTIC CLEANER



# Model No.DRC300 ROBOTIC CLEANER



# Model No.DRC300 ROBOTIC CLEANER



## Model No.DRC300 ROBOTIC CLEANER

Položka	Objednávacie číslo	Popis	Zmena	ks	New/Old	Možnosť 1	Možnosť 2	Poznámka
001	141A46-4	DUST BOX COMPLETE		1				
C10	422690-3	SEAL RING		1				
002	191P31-7	FILTER H COMPLETE SET		1				
003	413500-5	UPPER TANK		1				
004	191P22-8	MAIN BRUSH COMPLETE SET		1				
C10	413581-9	METAL HOLDER		1				
005	191P24-4	BOTTOM PLATE ASSEMBLY SET		1				
D10		INC. 6-9,30,31						
006	136530-6	BRUSH C ASSEMBLY		1				
007	413585-1	BOTTOM ROLLER 11		2				
008	266429-2	TAPPING SCREW 3X16		2				
009	413586-9	BOTTOM CAP		1				
010	266326-2	TAPPING SCREW 4X18		10				
011	1910L6-4	CLIFF SENSOR ASSY REPAIR SET		5				
012	266326-2	TAPPING SCREW 4X18		2				
013	141B82-6	TERMINAL COVER R COMPLETE		1				
C10	263005-3	RUBBER PIN 6		2				
014	811U06-7	DRC300 SERIAL NO. LABEL		1				
015	643523-1	TERMINAL		1				
016	266326-2	TAPPING SCREW 4X18		2				
017	413478-2	TERMINAL BASE		1				
018	688234-1	FERRITE CORE		2				
019	413554-2	PACKING A		1				
020	141B81-8	TERMINAL COVER L COMPLETE		1				
C10	263005-3	RUBBER PIN 6		2				
021	413555-0	FILTER SENSOR HOLDER		1				
022	643523-1	TERMINAL		1				
023	1910J8-6	PHOTO INTERRUPTER REPAIR SET		1				
024	413478-2	TERMINAL BASE		1				
025	141J98-9	LOWER HOUSING COMPLETE		1				
C10	422530-5	SPONGE SHEET		2				
026	266147-2	TAPPING SCREW 4X55		8				
030	232690-3	COMPRESSION SPRING 7		2				
031	413583-5	BOTTOM PLATE		1				
034	253084-9	FLAT WASHER 12		1				
035	232685-6	COMPRESSION SPRING 18		1				
036	413552-6	FRONT ROLLER 18		1				
037	256989-2	PIN 4		1				
038	413553-4	FRONT CASTER		1				
039	251599-0	TAPPING SCREW 4X18		1				
040	961018-5	STOP RING E-5		2				
041	261167-1	POLYACETAL WASHER 22		2				
042	413551-8	REAR ROLLER 28		2				

Please order the parts with part number.

Print Date 9/8/2022



## Model No.DRC300 ROBOTIC CLEANER

Položka	Objednávacie číslo	Popis	Zmena	ks	New/Old	Možnosť 1	Možnosť 2	Poznámka
043	413550-0	REAR CASTER		2				
044	256988-4	COLLAR HD. PIN 7		2				
045	251599-0	TAPPING SCREW 4X18		2				
046	263046-9	TAPPING SCREW 3X14		4				
047	1910J8-6	PHOTO INTERRUPTER REPAIR SET		2				
048	1910J9-4	RF MODULE REPAIR SET		1				
049	413561-5	RF HOLDER		1				
050	1910K0-9	CONTROL BOARD REPAIR SET		1	*			
050-1	1910K0-9	CONTROL BOARD REPAIR SET	O	1				
051	413560-7	BUMPER ARM		2				
052	232700-6	COMPRESSION SPRING 8		2				
053	266326-2	TAPPING SCREW 4X18		2				
054	232687-2	LEAF SPRING		1				
055	413418-0	CONTROLLER HOLDER		1				
056	688234-1	FERRITE CORE		2				
057	1910K1-7	HALL SENSOR BOARD REPAIR SET		2				
060	232686-4	TENSION SPRING 11		1				
061	266326-2	TAPPING SCREW 4X18		4				
062	1910L3-0	WHEEL R ASSEMBLY REPAIR SET		1				
C10	638A06-0	LEAD UNIT G		1				
064	266326-2	TAPPING SCREW 4X18		4				
065	1910L2-2	WHEEL L ASSEMBLY REPAIR SET		1				
C10	638A06-0	LEAD UNIT G		1				
066	232686-4	TENSION SPRING 11		1				
067	632S56-5	THERMAL PROTECTOR UNIT		1				
068	266326-2	TAPPING SCREW 4X18		2				
069	1910L1-4	MAIN BRUSH MOTOR A, REPAIR SET		1				
C10	413536-4	JOINT		1				
C20	911029-0	P.H.SCREW M3X16 WITH WG		1				
070	632S55-7	THERMAL PROTECTOR UNIT		1				
071	266326-2	TAPPING SCREW 4X18		3				
072	632S55-7	THERMAL PROTECTOR UNIT		1				
073	1910L5-6	SIDE BRUSH R MOTOR REPAIR SET		1				
074	266326-2	TAPPING SCREW 4X18		3				
075	1910L4-8	SIDE BRUSH L MOTOR REPAIR SET		1				
076	266326-2	TAPPING SCREW 4X18		2				
077	413559-2	AIR DUCT COVER		1				
078	266429-2	TAPPING SCREW 3X16		4	*			
078-1	266130-9	TAPPING SCREW BIND PT 3X16	O	4				
079	422698-7	EXHAUST FILTER		1				
080	413557-6	AIR DUCT HOUSING		1				

Please order the parts with part number.

Print Date 9/8/2022

## Model No.DRC300 ROBOTIC CLEANER

Položka	Objednávacie číslo	Popis	Zmena	ks	New/Old	Možnosť 1	Možnosť 2	Poznámka
081	422697-9	SPONGE SHEET 24-110		1				
082	413558-4	PACKING B		1				
083	413535-6	FAN COVER		1				
084	422696-1	RUBBER RING		1				
085	1910L0-6	FAN MOTOR ASSEMBLY REPAIR SET		1				
086	1910K3-3	USS SUB BOARD REPAIR SET		1				
087	413482-1	USS COVER R		1				
088	1910K3-3	USS SUB BOARD REPAIR SET		1				
089	266429-2	TAPPING SCREW 3X16		2	*			
089-1	266130-9	TAPPING SCREW BIND PT 3X16	O	2				
090	413572-0	BUMPER CAP		1				
091	266429-2	TAPPING SCREW 3X16		4	*			
091-1	266130-9	TAPPING SCREW BIND PT 3X16	O	4				
092	413480-5	USS COVER C		1				
093	266429-2	TAPPING SCREW 3X16		2	*			
093-1	266130-9	TAPPING SCREW BIND PT 3X16	O	2				
094	1910K3-3	USS SUB BOARD REPAIR SET		1				
095	413481-3	USS COVER L		1				
096	1910K2-5	USS MAIN BOARD REPAIR SET		1				
097	1910K3-3	USS SUB BOARD REPAIR SET		1				
098	1910K3-3	USS SUB BOARD REPAIR SET		1				
099	1910K3-3	USS SUB BOARD REPAIR SET		1				
100	413579-6	BUMPER COVER R		1				
101	266429-2	TAPPING SCREW 3X16		2	*			
101-1	266130-9	TAPPING SCREW BIND PT 3X16	O	2				
102	413427-9	BUMPER		1				
103	413575-4	BUMPER COVER C		1				
104	413578-8	BUMPER COVER L		1				
105	266429-2	TAPPING SCREW 3X16		3	*			
105-1	266130-9	TAPPING SCREW BIND PT 3X16	O	3				
106	266429-2	TAPPING SCREW 3X16		2	*			
106-1	266130-9	TAPPING SCREW BIND PT 3X16	O	2				
110	422820-6	RUBBER CAP		1				
111	127838-9	TOP COVER ASSEMBLY		1				
D10		INC. 112						
112	413570-4	SWITCH BUTTON		1				
113	232689-8	TORSION SPRING 14		2				
114	312B42-7	TOP COVER SHAFT		2				
115	1910K4-1	UI BOARD REPAIR SET		1				
116	1910K7-5	USB IF BOARD REPAIR SET		1				
117	141B97-3	TOP CAP COMPLETE		1				
C10	8032K4-8	INDICATION LABEL		1				

Please order the parts with part number.

Print Date 9/8/2022

## Model No.DRC300 ROBOTIC CLEANER

Položka	Objednávacie číslo	Popis	Zmena	ks	New/Old	Možnosť 1	Možnosť 2	Poznámka
118	266429-2	TAPPING SCREW 3X16		6	*			
118-1	266130-9	TAPPING SCREW BIND PT 3X16	O	6				
119	413543-7	USB COVER		1				
120	266326-2	TAPPING SCREW 4X18		2				
121	413537-2	INNER FRONT COVER		1				
122	266326-2	TAPPING SCREW 4X18		2				
123	266326-2	TAPPING SCREW 4X18		6				
124	1910K9-1	BUZZER REPAIR SET		1				
125	811U01-7	DRC300 NAME PLATE		1				
126	141B86-8	UPPER HOUSING COMPLETE		1				
C10	263005-3	RUBBER PIN 6		2				
C20	8032J5-9	CAUTION LABEL		1				
C30	8032J6-7	CAUTION LABEL		1				
127	413568-1	BUTTON		1				
128	422701-4	PROTECTOR		1				
129	231297-2	COMPRESSION SPRING 9		2				
130	413540-3	FILTER BUTTON		1				
131	232688-0	COMPRESSION SPRING 6		1				
132	141B90-7	LIDAR COVER COMPLETE		1				
C10	8032J8-3	INDICATION LABEL		1				
133	413541-1	SPRING HOLDER		1				
134	266326-2	TAPPING SCREW 4X18		1				
135	620B66-2	LIDAR MODULE		1				
136	413567-3	LIDAR HOLDER		1				
137	413547-9	LED LENS R		1				
138	266326-2	TAPPING SCREW 4X18		6				
139	422703-0	SEAL RING S		1				
140	422703-0	SEAL RING S		1				
141	911029-0	P.H.SCREW M3X16 WITH WG		4				
142	413548-7	LED REFLECTOR R		1				
143	1910K5-9	LED BOARD REPAIR SET		1				
144	413544-5	LED LENS L		1				
145	413549-5	LED COVER R		1				
146	266326-2	TAPPING SCREW 4X18		2				
147	413545-3	LED REFLECTOR L		1				
148	413546-1	LED COVER L		1				
149	1910K5-9	LED BOARD REPAIR SET		1				
150	266326-2	TAPPING SCREW 4X18		2				
151	413562-3	HANDLE		1				
154	413422-9	HANDLE COVER		1				
155	413542-9	VISION CAMERA LENS		1				
156	422700-6	SEAL RING T		1				
157	1910K8-3	VISION CAMERA COMP REPAIR SET		1	*			
157-1	1910K8-3	VISION CAMERA COMP REPAIR SET		1	*			

Please order the parts with part number.

Print Date 9/8/2022

## Model No.DRC300 ROBOTIC CLEANER

Položka	Objednávacie číslo	Popis	Zmena	ks	New/Old	Možnosť 1	Možnosť 2	Poznámka
157-2	1911A5-5	VISION CAMERA COMP REPAIR SET		1	*			
157-3	1911A5-5	VISION CAMERA COMP REPAIR SET	O	1				
158	266326-2	TAPPING SCREW 4X18		6				
160	413565-7	HANDLE LOWER COVER		1				
161	266326-2	TAPPING SCREW 4X18		4				
162	421468-1	CORD SEAL		1				
163	649152-8	EARTH LINE 70		1				
A01	191P28-6	SIDE BRUSH ASSEMBLY SET		1				
A02	620H54-5	RF REMOTE CONTROLLER		1				
C10	NC00000012	BATTERY COVER		1				
E01	136571-2	EARTH LINE LEAD UNIT A ASS'Y		1				
D10		INC. 162,163						
E02	638A01-0	LEAD UNIT B		1				
E03	638A02-8	LEAD UNIT C		1				
E04	638A03-6	LEAD UNIT D		2				
E05	638A04-4	LEAD UNIT E		1				
E06	638A05-2	LEAD UNIT F		2				
E08	638A07-8	LEAD UNIT H		1				
E09	638A08-6	LEAD UNIT I		1				
E10	638A09-4	LEAD UNIT J		2				
E11	638A10-9	LEAD UNIT K		1				
E12	638A11-7	LEAD UNIT L		1				
E13	638A12-5	LEAD UNIT M		1				
E14	638A13-3	LEAD UNIT N		1				
E15	638A14-1	LEAD UNIT O		1				

Please order the parts with part number.

Print Date 9/8/2022