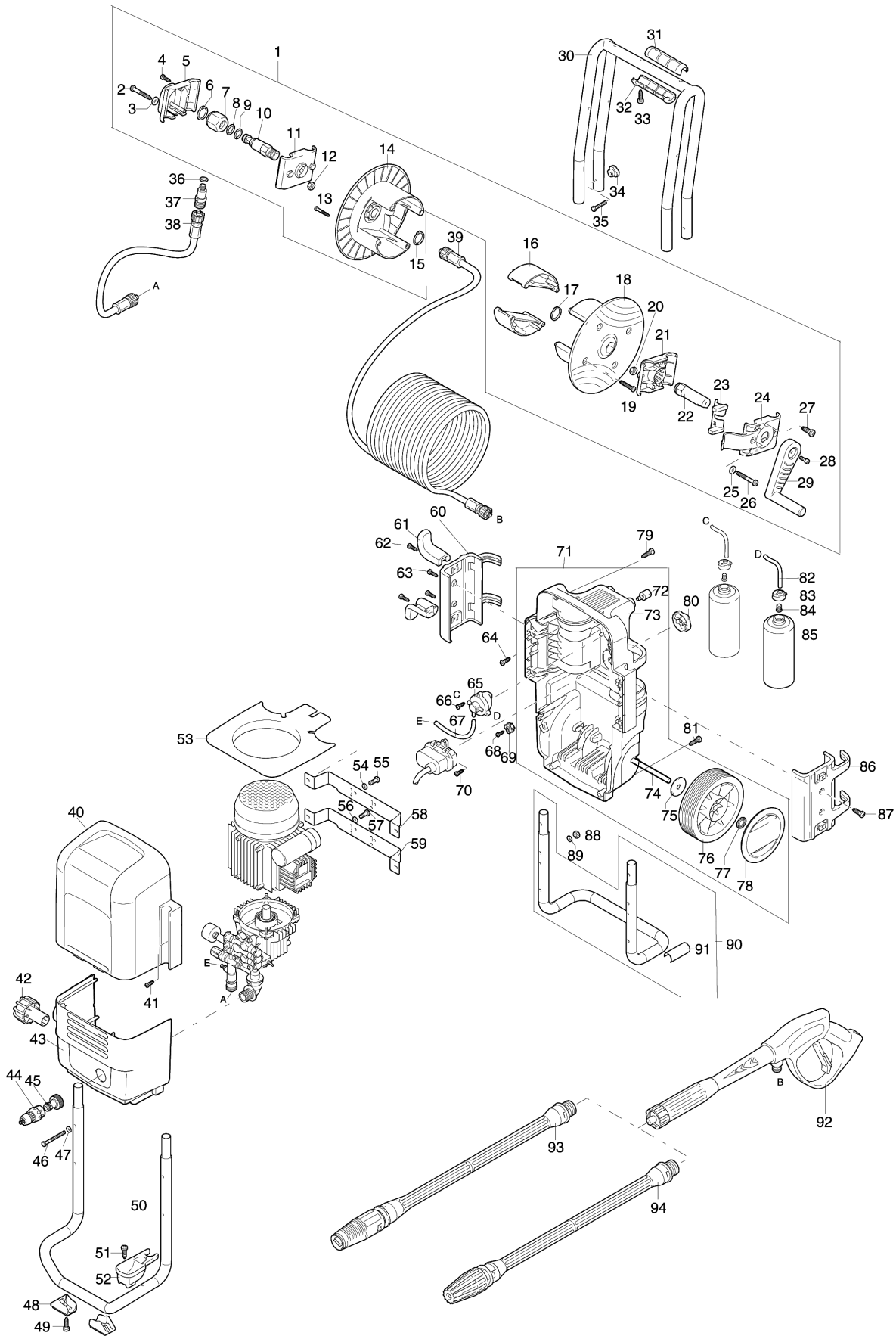
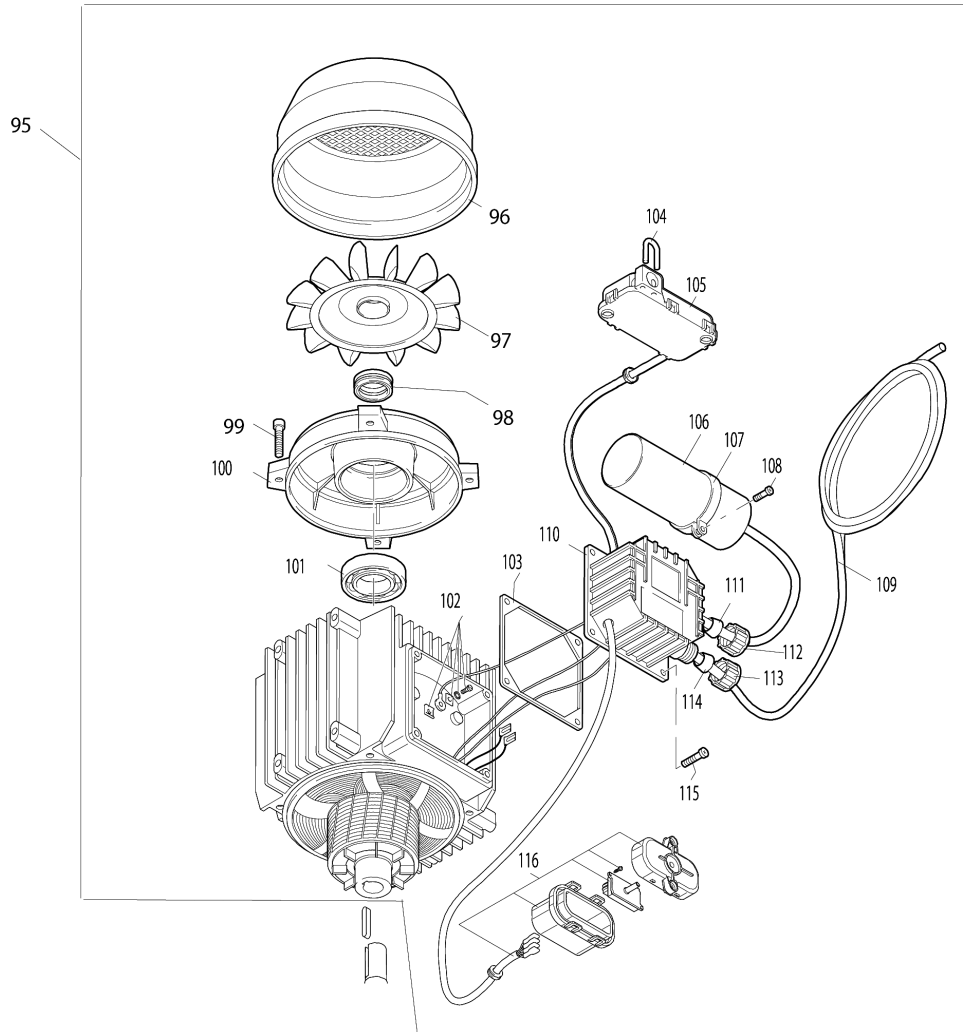


Model No.HW151 HIGH PRESSURE WASHER

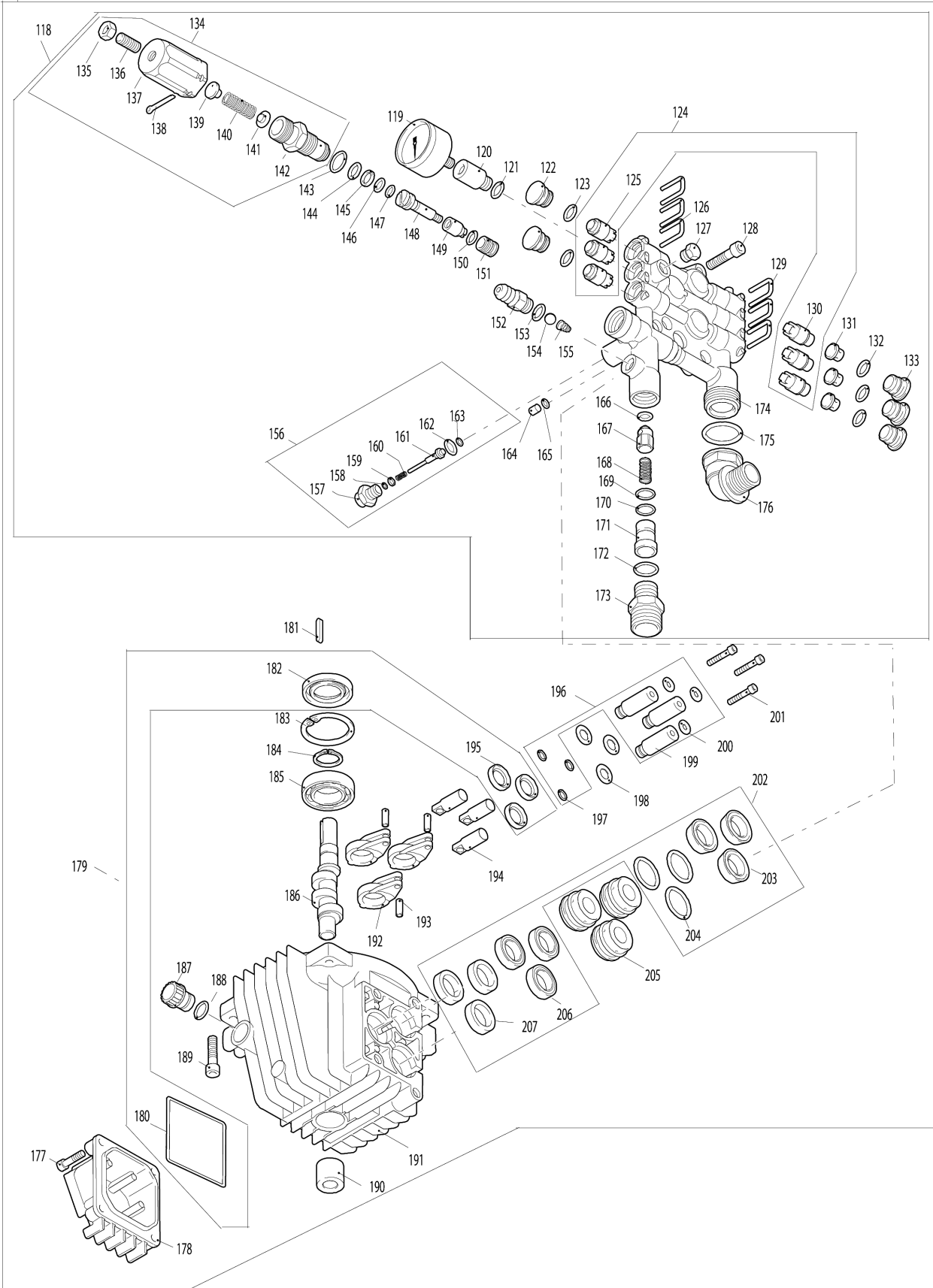


Model No.HW151 HIGH PRESSURE WASHER



Model No.HW151 HIGH PRESSURE WASHER

117



Model No.HW151 HIGH PRESSURE WASHER

| Položka | Objednávacie číslo | Popis | Zmena | ks | New/Old | Možnosť 1 | Možnosť 2 | Poznámka |
|---------|--------------------|-------------------------------|-------|----|---------|-----------|-----------|----------|
| 001 | 609042581 | HOSE REEL ASSEMBLY | | 1 | | | | |
| D10 | | INC. 2-29 | | | | | | |
| 002 | 609580330 | PAN HEAD SCREW M5X40 | | 2 | | | | |
| 003 | 609470390 | FLAT WASHER 5 | | 2 | | | | |
| 004 | 609100300 | TAPPING SCREW 5X16 | | 1 | | | | |
| 005 | 609580150 | HOSE REEL BRACKET L OUTSIDE | | 1 | | | | |
| 006 | 609480890 | RETAINING RING S-17 | | 1 | | | | |
| 007 | 609600220 | REEL AXLE LEFT OUTSIDE | | 1 | | | | |
| 008 | 609390080 | O-RING 11.91X2.62 | | 1 | | | | |
| 009 | 609390080 | O-RING 11.91X2.62 | | 1 | | | | |
| 010 | 609580340 | REEL AXLE LEFT INSIDE | | 1 | | | | |
| 011 | 609580160 | HOSE REEL BRACKET INSIDE | | 1 | | | | |
| 012 | 609680750 | NYLON INSERT HEX.LOCK NUT M5 | | 2 | | | | |
| 013 | 609021780 | TAPPING SCREW 4X32 | | 4 | | | | |
| 014 | 609360230 | HOSE REEL DRUM HARF | | 1 | | | | |
| 015 | 609380420 | RETAINING RING S-22 | | 1 | | | | |
| 016 | 609580120 | HOSE REEL EXTENSION SPACER | | 2 | | | | |
| 017 | 609380420 | RETAINING RING S-22 | | 1 | | | | |
| 018 | 609360230 | HOSE REEL DRUM HARF | | 1 | | | | |
| 019 | 609021780 | TAPPING SCREW 4X32 | | 4 | | | | |
| 020 | 609680750 | NYLON INSERT HEX.LOCK NUT M5 | | 2 | | | | |
| 021 | 609580160 | HOSE REEL BRACKET INSIDE | | 1 | | | | |
| 022 | 609580350 | REEL AXLE LEFT | | 1 | | | | |
| 023 | 609580130 | HOSE REEL LOCK | | 1 | | | | |
| 024 | 609580140 | HOSE REEL BRACKET R OUTSIDE | | 1 | | | | |
| 025 | 609470390 | FLAT WASHER 5 | | 2 | | | | |
| 026 | 609580330 | PAN HEAD SCREW M5X40 | | 2 | | | | |
| 027 | 609100300 | TAPPING SCREW 5X16 | | 1 | | | | |
| 028 | 609360360 | HEX SOCKET BOLT M5X10 | | 1 | | | | |
| 029 | 609360150 | REEL HANDLE | | 1 | | | | |
| 030 | 609580080 | PIPE FRAME UPPER | | 1 | | | | |
| 031 | 609580180 | GRIP COVER UPPER | | 2 | | | | |
| 032 | 609580090 | GRIP COVER LOWER | | 2 | | | | |
| 033 | 609100300 | TAPPING SCREW 5X16 | | 4 | | | | |
| 034 | 609050019 | KNOB NUT M6 | | 2 | | | | |
| 035 | 609050037 | HEX BOLT M6X40 | | 2 | | | | |
| 036 | 609820510 | O-RING 10.82X1.78 | | 1 | | | | |
| 037 | 609600260 | FITTING | | 1 | | | | |
| 038 | 609580310 | HIGH PRESSURE HOSE 0.75M ASSY | | 1 | | | | |
| C10 | 609000570 | O-RING 10X2 | | 2 | | | | |
| 039 | 609083550 | HIGH PRESSURE HOSE 10M ASSY | | 1 | | | | |
| C10 | 609000570 | O-RING 10X2 | | 2 | | | | |

Please order the parts with part number.

Print Date 8/10/2021

Model No.HW151 HIGH PRESSURE WASHER

| Položka | Objednávacie číslo | Popis | Zmena | ks | New/Old | Možnosť 1 | Možnosť 2 | Poznámka |
|---------|--------------------|----------------------------|-------|----|---------|-----------|-----------|----------|
| 040 | 609580020 | FRONT HOUSING UPPER MAKITA | | 1 | | | | |
| 041 | 609100300 | TAPPING SCREW 5X16 | | 1 | | | | |
| 042 | 609360760 | PRESSURE ADJUST KNOB | | 1 | | | | |
| 043 | 609580230 | FRONT HOUSING LOWER BLUE | | 1 | | | | |
| 044 | 609040086 | QUICK COUPLING NIPPLE G3/4 | | 1 | | | | |
| 045 | 609082130 | HOSE QUICK COUPLING | | 1 | | | | |
| 046 | 609320570 | HEX BOLT M5X100 | | 4 | | | | |
| 047 | 609680960 | FLAT WASHER 5 | | 4 | | | | |
| 048 | 609580270 | FOOT | | 2 | | | | |
| 049 | 609060200 | TAPPING SCREW 4.5X16 | | 2 | | | | |
| 050 | 609580070 | PIPE FRAME LOWER FRONT | | 1 | | | | |
| 051 | 609060200 | TAPPING SCREW 4.5X16 | | 1 | | | | |
| 052 | 609580250 | ACCESSORIES CAP | | 1 | | | | |
| 053 | 609580040 | PARTITIONplate | | 1 | | | | |
| 054 | 609550331 | FLAT WASHER 6 | | 2 | | | | |
| 055 | 609320350 | HEX BOLT M6X12 | | 2 | | | | |
| 056 | 609550331 | FLAT WASHER 6 | | 2 | | | | |
| 057 | 609320350 | HEX BOLT M6X12 | | 2 | | | | |
| 058 | 609580260 | SUB FRAME FOR MOTOR | | 1 | | | | |
| 059 | 609580260 | SUB FRAME FOR MOTOR | | 1 | | | | |
| 060 | 609580050 | ACCESSORIES CARRIER LEFT | | 1 | | | | |
| 061 | 609360090 | CORD FOOK | | 2 | | | | |
| 062 | 609100300 | TAPPING SCREW 5X16 | | 2 | | | | |
| 063 | 609100300 | TAPPING SCREW 5X16 | | 2 | | | | |
| 064 | 609060200 | TAPPING SCREW 4.5X16 | | 2 | | | | |
| 065 | 609440190 | DETERGENT VALVE | | 1 | | | | |
| 066 | 609000110 | TAPPING SCREW 3.5X15 | | 3 | | | | |
| 067 | 609580290 | SILICONE TUBE 6MM L=0.45M | | 1 | | | | |
| 068 | 609100300 | TAPPING SCREW 5X16 | | 1 | | | | |
| 069 | 609600100 | CORD CLAMP | | 1 | | | | |
| 070 | 609100300 | TAPPING SCREW 5X16 | | 2 | | | | |
| 071 | 609589000 | REAR HOUSING ASSY | | 1 | | | | |
| D10 | | INC. 72-78 | | | | | | |
| 072 | 609180330 | RUBBER FOOT | | 2 | | | | |
| 073 | 609580010 | REAR HOUSING | | 1 | | | | |
| 074 | 609180080 | WHEEL AXLE | | 1 | | | | |
| 075 | 609680890 | WASHER 12.5X48X2.5 Z/B | | 2 | | | | |
| 076 | 609580280 | WHEEL 8 INCH | | 2 | | | | |
| 077 | 609680880 | PUSH NUT | | 2 | | | | |
| 078 | 609580170 | WHEEL COVER MAKITA | | 2 | | | | |
| 079 | 609100300 | TAPPING SCREW 5X16 | | 2 | | | | |
| 080 | 609900220 | DETERGENT VALVE KNOB | | 1 | | | | |
| 081 | 609100300 | TAPPING SCREW 5X16 | | 2 | | | | |
| 082 | 609580300 | SILICONE TUBE 6MM L=0.55M | | 2 | | | | |

Please order the parts with part number.

Print Date 8/10/2021

Model No.HW151 HIGH PRESSURE WASHER

| Položka | Objednávacie číslo | Popis | Zmena | ks | New/Old | Možnosť 1 | Možnosť 2 | Poznámka |
|---------|--------------------|--------------------------------|-------|----|---------|-----------|-----------|----------|
| 083 | 609580190 | DETERGENT TANK CAP | | 2 | | | | |
| 084 | 609000230 | DETERGENT FILTER | | 2 | | | | |
| 085 | 609180130 | DETERGENT TANK | | 2 | | | | |
| 086 | 609580050 | ACCESSORIES CARRIER LEFT | | 2 | | | | |
| 087 | 609100300 | TAPPING SCREW 5X16 | | 2 | | | | |
| 088 | 609480640 | NYLON INSERT HEX.LOCK NUT M5 | | 4 | | | | |
| 089 | 609480650 | FLAT WASHER 5 | | 4 | | | | |
| 090 | 609580060 | PIPE FRAME LOWER REAR ASSY | | 1 | | | | |
| D10 | | INC. 91 | | | | | | |
| 091 | 609580370 | PIPE FRAME PROTECTOR | | 2 | | | | |
| 092 | 609041154 | TRIGGER GUN SET AR | | 1 | | | | |
| 093 | 609040551 | SPRAY LANCE WIDE/NALLOW AR | | 1 | | | | |
| 094 | 609040167 | CYCLON JET NOZZLE SET AR | | 1 | | | | |
| 095 | 609044476 | MOTOR ASSY 230V 50HZ EURO PLUG | | 1 | | | | |
| D10 | | INC. 96-116 | | | | | | |
| 096 | 609342040 | FAN COVER | | 1 | | | | |
| 097 | 609260300 | COOLING FAN | | 1 | | | | |
| 098 | 609340350 | OIL SEAL | | 1 | | | | |
| 099 | 609260760 | HEX BOLT M5X20 | | 1 | | | | |
| 100 | 609340320 | MOTOR HOUSING UPPER | | 1 | | | | |
| 101 | 609340340 | BALL BEARING | | 1 | | | | |
| 102 | 609269100 | EARTH TARMINAL CLAMPING SET | | 1 | | | | |
| 103 | 609340780 | SWITCH BOX GASKET | | 1 | | | | |
| 104 | 609022200 | U-PIN | | 1 | | | | |
| 105 | 609029752 | PRESSURE SWITCH | | 1 | | | | |
| 106 | 609263520 | CAPACITOR 40 MICRO F | | 1 | | | | |
| 107 | 609982550 | CAPACITOR CLAMP BAND | | 1 | | | | |
| 108 | 609261560 | TAPPING SCREW 3,9X16 | | 3 | | | | |
| 109 | 609760450 | POWER SUPPLY CORD EURO PLUG | | 1 | | | | |
| 110 | 609341832 | JUNCTION BOX | | 1 | | | | |
| 111 | 609340660 | CABLE CLAMP SEAL | | 1 | | | | |
| 112 | 609340640 | CABLE CLAMP NUT | | 1 | | | | |
| 113 | 609340640 | CABLE CLAMP NUT | | 1 | | | | |
| 114 | 609340650 | CABLE CLAMP SEAL | | 1 | | | | |
| 115 | 609261560 | TAPPING SCREW 3,9X16 | | 1 | | | | |
| 116 | 609909209 | SWITCH BOX SET | | 1 | | | | |
| 117 | 609349285 | PUMP ASSY | | 1 | | | | |
| D10 | | INC. 118,177-179,181,183-194, | | | | | | |
| D20 | | 196,198,201,202,205 | | | | | | |
| 118 | 609349204 | PUMP HEAD ASSY | | 1 | | | | |
| D10 | | INC. 119-124,126-129,131-134, | | | | | | |
| D20 | | 143-156,164-176 | | | | | | |

Please order the parts with part number.

Print Date 8/10/2021

Model No.HW151 HIGH PRESSURE WASHER

| Položka | Objednávacie číslo | Popis | Zmena | ks | New/Old | Možnosť 1 | Možnosť 2 | Poznámka |
|---------|--------------------|--------------------------------|-------|----|---------|-----------|-----------|----------|
| 119 | 609040476 | PRESSURE GAUGE | | 1 | | | | |
| 120 | 609344940 | FITTING R1/8 | | 1 | | | | |
| 121 | 609465720 | O-RING | | 1 | | | | |
| 122 | 609344800 | VALVE CAP PLUG | | 2 | | | | |
| 123 | 609465720 | O-RING | | 2 | | | | |
| 124 | 609042566 | VALVE REPAIR SET | | 1 | | | | |
| D10 | | INC. 125,130 | | | | | | |
| 125 | 609349055 | VALVE CPL. | | 3 | | | | |
| 126 | 609344790 | U-PIN | | 3 | | | | |
| 127 | 609620301 | BLIND PLUG G1/8 | | 1 | | | | |
| 128 | 609850850 | HEX SOCKET BOLT M6X30 | | 4 | | | | |
| 129 | 609344790 | U-PIN | | 3 | | | | |
| 130 | 609349055 | VALVE CPL. | | 3 | | | | |
| 131 | 609344770 | SPACER | | 3 | | | | |
| 132 | 609465720 | O-RING | | 3 | | | | |
| 133 | 609344800 | VALVE CAP PLUG | | 3 | | | | |
| 134 | 609042579 | REGULATOR HANDLE SET | | 1 | | | | |
| D10 | | INC. 135-142 | | | | | | |
| 135 | 609060120 | HEX NUT M6 | | 1 | | | | |
| 136 | 609980740 | BLIND PLUG | | 1 | | | | |
| 137 | 609344881 | REGULATOR HANDLE NUT | | 1 | | | | |
| 138 | 609500550 | SPLIT PIN 2.6X15 Z/B | | 1 | | | | |
| 139 | 609980220 | SPRING SEAT UPPER | | 1 | | | | |
| 140 | 609460190 | SPRING | | 1 | | | | |
| 141 | 609343450 | SPRING SEAT LOWER | | 1 | | | | |
| 142 | 609344870 | PISTON GUIDE | | 1 | | | | |
| 143 | 609740290 | O-RING 14X1.78 | | 1 | | | | |
| 144 | 609820510 | O-RING 10.82X1.78 | | 1 | | | | |
| 145 | 609080401 | RING | | 1 | | | | |
| 146 | 609600180 | O-RING 7.66X1.78 | | 1 | | | | |
| 147 | 609080190 | O-RING 2.90X1.78 | | 1 | | | | |
| 148 | 609021900 | REGULATOR PISTON UPPER | | 1 | | | | |
| 149 | 609460151 | REGULATOR PISTON LOWER | | 1 | | | | |
| 150 | 609600180 | O-RING 7.66X1.78 | | 1 | | | | |
| 151 | 609342701 | REGULATOR PISTON SEAT | | 1 | | | | |
| 152 | 609982520 | HOSE NIPPLE R1/8 | | 1 | | | | |
| 153 | 609480480 | O-RING 4.48X1.78 | | 1 | | | | |
| 154 | 609250280 | STEEL BALL | | 1 | | | | |
| 155 | 609560520 | SPRING | | 1 | | | | |
| 156 | 609042580 | PLUNGER SET FOR PRESSURE SWITC | | 1 | | | | |
| D10 | | INC. 157-163 | | | | | | |
| 157 | 609344830 | PLUNGER CAP | | 1 | | | | |
| 158 | 609260820 | O-RING | | 1 | | | | |
| 159 | 609021650 | WASHER | | 1 | | | | |

Please order the parts with part number.

Print Date 8/10/2021

Model No.HW151 HIGH PRESSURE WASHER

| Položka | Objednávacie číslo | Popis | Zmena | ks | New/Old | Možnosť 1 | Možnosť 2 | Poznámka |
|---------|--------------------|-----------------------------|-------|----|---------|-----------|-----------|----------|
| 160 | 609021630 | SPRING | | 1 | | | | |
| 161 | 609022040 | PLUNGER FOR PRESSURE SWITCH | | 1 | | | | |
| 162 | 609600180 | O-RING 7.66X1.78 | | 1 | | | | |
| 163 | 609120680 | O-RING | | 1 | | | | |
| 164 | 609344890 | PLUG | | 1 | | | | |
| 165 | 609560870 | O-RING | | 1 | | | | |
| 166 | 609460430 | O-RING 4X2.5 | | 1 | | | | |
| 167 | 609901070 | CHECK VALVE PISTON | | 1 | | | | |
| 168 | 609080091 | CHECK VALVE PISTON SPRING | | 1 | | | | |
| 169 | 609800560 | O-RING 8.73X1.78 | | 1 | | | | |
| 170 | 609901060 | CHECK VALVE BODY | | 1 | | | | |
| 171 | 609740290 | O-RING 14X1.78 | | 1 | | | | |
| 172 | 609900120 | NIPPLE FOR DETERGENT | | 1 | | | | |
| 173 | 609344850 | PUMP HEAD BODY | | 1 | | | | |
| 174 | 609344970 | O-RING | | 1 | | | | |
| 175 | 609500280 | ELBOW | | 1 | | | | |
| 176 | 609260780 | HEX SOCKET BOLT M5X25 | | 1 | | | | |
| 177 | 609344060 | ECCENTRIC SHAFT COVER | | 1 | | | | |
| 178 | 609001876 | OIL SEAL REPAIR SET | | 1 | | | | |
| D10 | | INC. 180,182,195 | | | | | | |
| 180 | 609040710 | O-RING 56X2 | | 1 | | | | |
| 181 | 609880111 | KEY | | 1 | | | | |
| 182 | 609341080 | OIL SEAL | | 1 | | | | |
| 183 | 609111120 | RETAINING RING R-47 | | 1 | | | | |
| 184 | 609480890 | RETAINING RING S-17 | | 1 | | | | |
| 185 | 609341070 | BALL BEARING | | 1 | | | | |
| 186 | 609340170 | ECCENTRIC SHAFT | | 1 | | | | |
| 187 | 609343900 | BLIND PLUG | | 1 | | | | |
| 189 | 609880840 | O-RING 9.25X1.78 | | 1 | | | | |
| 190 | 609260050 | BUSH | | 1 | | | | |
| C10 | 609344050 | PUMP BODY | | 1 | | | | |
| 192 | 609340060 | CONNECTING-ROD | | 3 | | | | |
| 193 | 609340080 | PISTON PIN | | 3 | | | | |
| 194 | 609340070 | PISTON LOWER | | 3 | | | | |
| 195 | 609260460 | OIL SEAL | | 3 | | | | |
| 196 | 609002623 | PISTON repair KIT | | 1 | | | | |
| D10 | | INC. 197,199,200 | | | | | | |
| 197 | 609600180 | O-RING 7.66X1.78 | | 3 | | | | |
| 198 | 609341010 | PLATE | | 3 | | | | |
| 199 | 609342740 | PISTON UPPER | | 3 | | | | |
| 200 | 609341020 | WASHER 6X10X1 | | 3 | | | | |
| 201 | 609850670 | HEX SOCKET BOLT M6X35 | | 3 | | | | |
| 202 | 609042567 | WATER SEAL KIT | | 1 | | | | |
| D10 | | INC. 203,204,206,207 | | | | | | |

Please order the parts with part number.

Print Date 8/10/2021

Model No.HW151 HIGH PRESSURE WASHER

| Položka | Objednávacie číslo | Popis | Zmena | ks | New/Old | Možnosť 1 | Možnosť 2 | Poznámka |
|---------|--------------------|-------------------|-------|----|---------|-----------|-----------|----------|
| 203 | 609460180 | WATER SEAL | | 3 | | | | |
| 204 | 609770260 | O-RING 23.52X1.78 | | 3 | | | | |
| 205 | 609344750 | PISTON GUIDE | | 3 | | | | |
| 206 | 609260440 | WATER SEAL | | 3 | | | | |
| 207 | 609344760 | OIL SEAL | | 3 | | | | |

Please order the parts with part number.

Print Date 8/10/2021