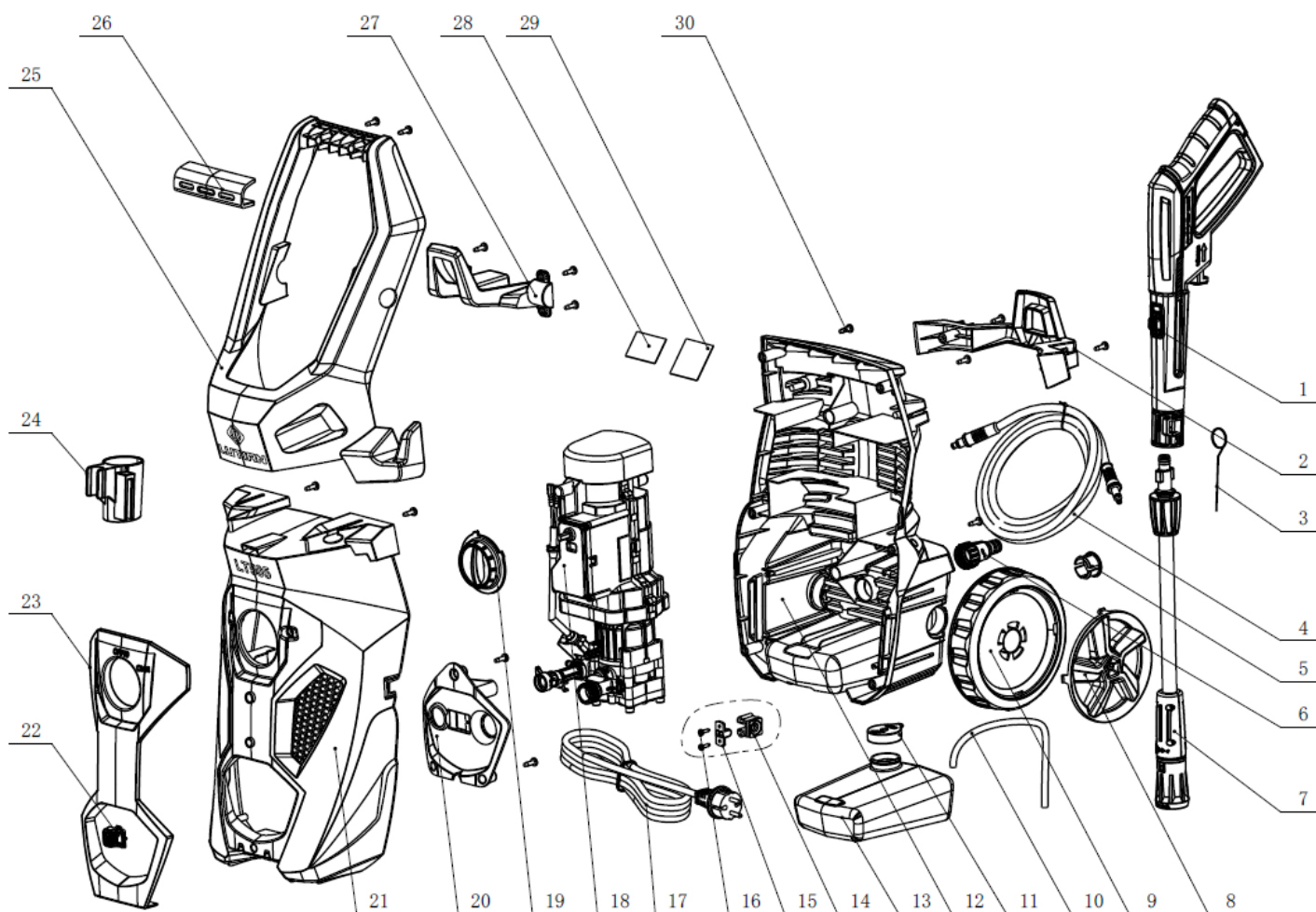


## Documentatie tehnica spalator CPJ1500



Nr.crt	Denumire produs	Product name	Cod comanda
1	lance	Gun	pscpj1500-1
2	suport accesorii	Accessories holder	pscpj1500-2
3	pin de curatare	Cleaning pin	pscpj1500-3
4	furtun de presiune	High pressure hose	pscpj1500-4
5	piulita strangere	Wheel bore plug	pscpj1500-5
6	conector	Water inlet connector	pscpj1500-6
7	diuza reglabila	Adjustable nozzle	pscpj1500-7
8	capac roata	Wheel cover	pscpj1500-8
9	roata	Wheel	pscpj1500-9

## Producător motoutilaje

## Documentatie tehnică

10	furtun de scurgere	Suction hose	pscpj1500-10
11	capac bazin detergent	Cap soap bottle	pscpj1500-11
12	carcasa spate	Back housing	pscpj1500-12
13	bazin detergent	Detergent tank	pscpj1500-13
14	manson cablu	Power cable jacket	pscpj1500-14
15	placa presare cablu	Power cable pressplate	pscpj1500-15
16	surub	Screw ST3.5x13F	pscpj1500-16
17	cablu de alimentare	Power cable	pscpj1500-17
18	motor + pompa	1153a2-96c motor & pump assy	pscpj1500-18
19	comutator	Switch knob	pscpj1500-19
20	placa decorativa	Outlet decorative plate	pscpj1500-20
21	carcasa fata	Front housing	pscpj1500-21
22	buton	Botton	pscpj1500-22
23	placa decorativa fata	Decorative plate <front>	pscpj1500-23
24	suport lance	Short gun holder	pscpj1500-24
25	maner	Handle	pscpj1500-25
26	manson maner	Handle cover rubber coating	pscpj1500-26
27	carlig de agatat	Hanging hook	pscpj1500-27
28	eticheta avertizare	Warning label	pscpj1500-28
29	eticheta evaluare	Rating label	pscpj1500-29
30	surub	Screw ST4.8x16	pscpj1500-30