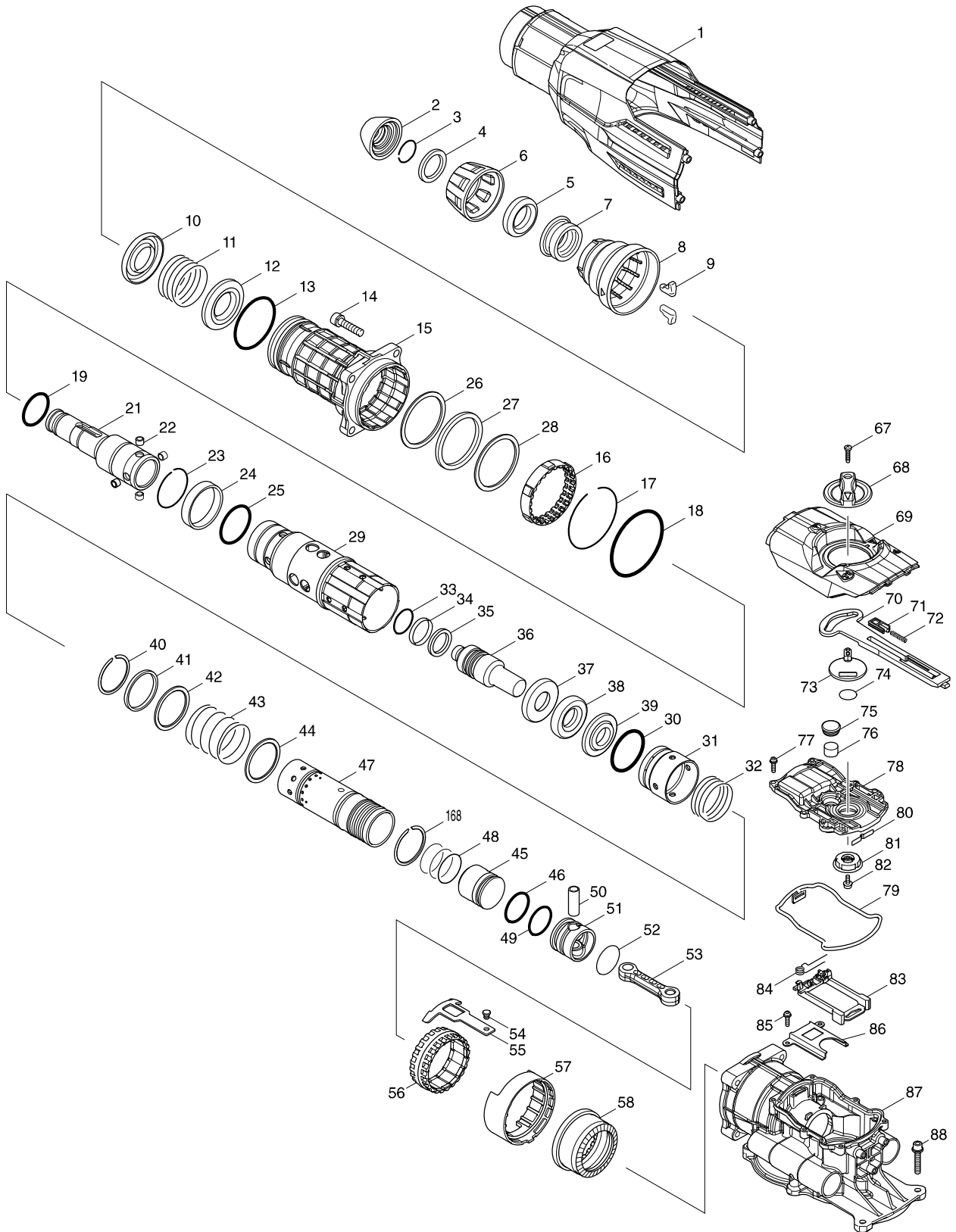
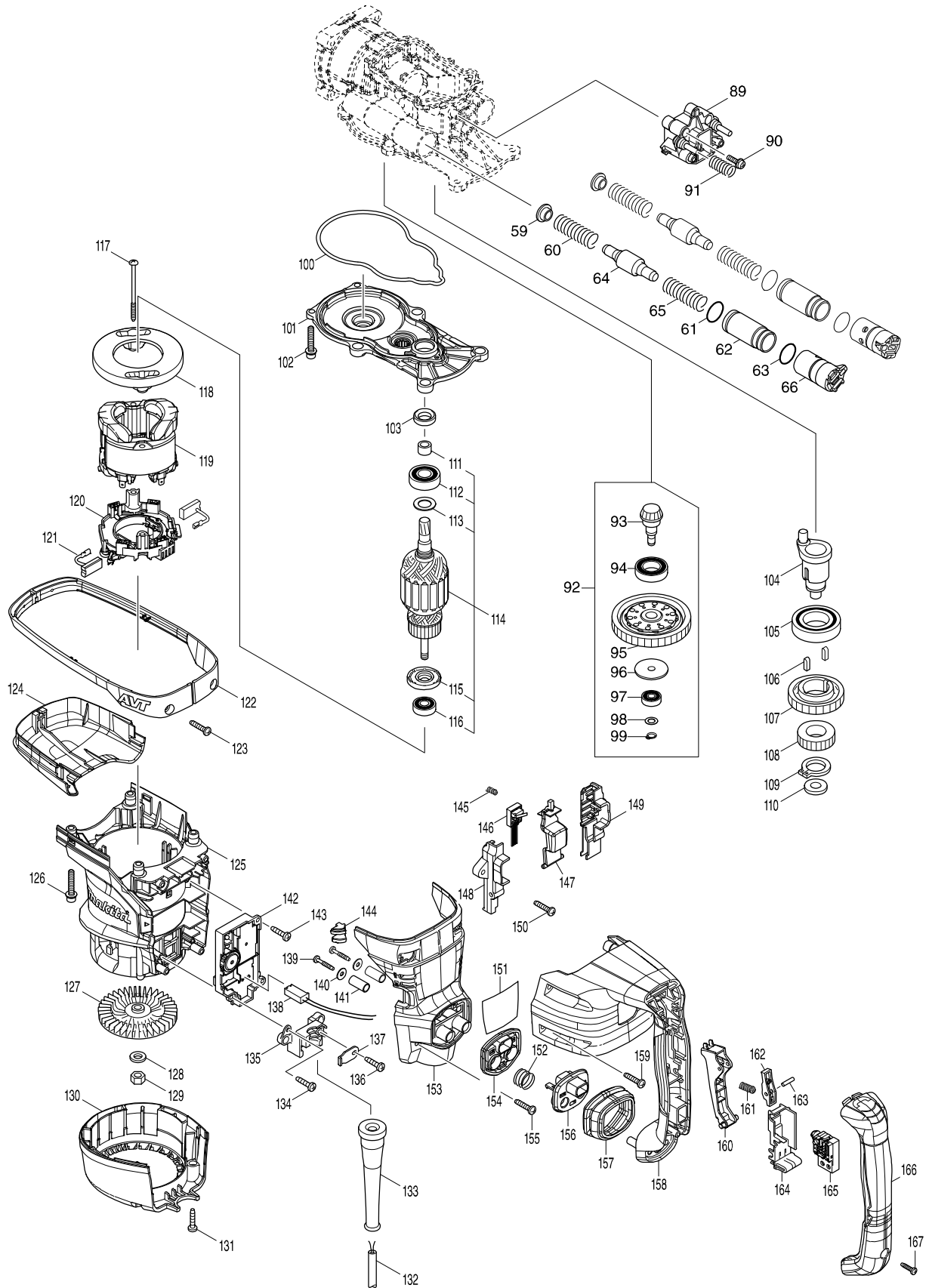


Model HR5212C ROTARY HAMMER 52MM



Model HR5212C ROTARY HAMMER 52MM



001	142411-4	HOUSING COVER A COMPLETE		1			
C10	810100-6	CAUTION LABEL		1			
002	286292-7	TOOL HOLDER CAP		1			
003	233948-3	KRÚŽOK PRUŽNÝ 25		1			
004	257367-9	RING 28		1			
005	262172-1	RUBBER RING 29		1			
006	454767-6	CHUCK COVER		1			
007	324752-2	KRÚŽOK VYMEDZOVACÍ		1			
008	454768-4	RELEASE COVER		1			
009	310178-4	POISTKA NÁSTROJA		2			
010	346751-4	SPRING GUIDE		1			
011	234317-1	COMPRESSION SPRING 49		1			
012	346751-4	SPRING GUIDE		1			
013	213674-0	O-RING 60		1	*		
013-1	213664-3	O RING 60	O	1			
014	922456-6	SKRUTKA INBUS M8x35		4			
015	142408-3	BARREL COMPLETE		1			
C10	213663-5	O-KRÚŽOK 55		1			
C20	213778-8	OIL SEAL 42		1			
C30	214603-6	PLANE BEARING 49		1			
C40	259056-2	RING SPRING 54		1			
016	454769-2	LOCK SLEEVE		1			
017	259057-0	RING SPRING 74		1			
018	213766-5	O-KRÚŽOK 78		1			
019	213789-3	O-RING 38		1			
021	326361-3	TOOL HOLDER A		1			
022	268308-0	PIN 9		4			
023	231989-3	PODLOŽKA PRUŽNÁ 46 HM1202C		1			
024	257353-0	RING 49		1			
025	213779-6	O-RING 45		1			
026	267477-4	FLAT WASHER 60		1			
027	262171-3	RUBBER RING 60		1			
028	267477-4	FLAT WASHER 60		1			
029	326362-1	TOOL HOLDER B		1			
030	213783-5	O-RING 48		1			
031	454761-8	SLIDE SLEEVE		1			
032	234318-9	COMPRESSION SPRING 45		1			
033	213811-6	O-RING 26.5		1			
034	213780-1	FLUORIDE RING 32.5		1			
035	213776-2	X-RING 26		1			
036	326374-4	IMPACT BOLT		1			
037	257354-8	RING 23		1			
038	262173-9	RUBBER RING 24		1			
039	267856-6	SHOULDER WASHER 23		1			
040	257994-2	RETAINING RING(EXT)WR-44		1			
041	257355-6	RING 44		1			
042	267478-2	FLAT WASHER 44		1			

044	267478-2	FLAT WASHER 44		1				
045	326377-8	STRIKER		1				
046	213781-9	O-RING 33		1				
047	332093-2	CYLINDER 40		1				
048	213460-9	O-KRÚŽOK 35		3				
049	213782-7	O-RING 30		1				
050	257820-5	SLEEVE 9		1				
051	319097-1	PISTON		1				
052	213460-9	O-KRÚŽOK 35		1				
053	454765-0	CONNECTING ROD		1				
054	256548-2	FLAT FILLISTER HEAD PIN 6		1				
055	346749-1	LINK PLATE		1				
056	313272-1	DRIVING SLEEVE		1				
057	454779-9	GUIDE RING		1				
058	227625-7	SPIRAL BEVEL GEAR 33		1				
059	454774-9	SPRING PLATE		2				
060	233497-0	PRUŽINA PRÍTLAČNÁ 15 HR5211C/5210C		2				
061	213953-6	O-KRÚŽOK 24 HR2430		2				
062	332092-4	PIPE 21.5		2				
063	213953-6	O-KRÚŽOK 24 HR2430		2				
064	326375-2	COUNTER WEIGHT		2				
065	233497-0	PRUŽINA PRÍTLAČNÁ 15 HR5211C/5210C		2				
066	454773-1	HOLDER 15		2				
067	265995-6	SKRUTKA SAMOREZNÁ 4x18		1				
068	454326-6	CHANGE LEVER		1				
069	319082-4	CRANK CAP COVER		1				
070	454770-7	CONTROL PLATE		1				
071	454771-5	SLIDE PLATE		1				
072	234284-0	COMPRESSION SPRING 4		1				
073	454345-2	CRANK LEVER		1				
074	213262-3	O-KRÚŽOK 18 4101R/4101RH		1				
075	424607-2	FILTER CAP		1				
076	443129-3	FILTER HR 2800		1				
077	911128-8	SKRUTKA M4x16		6				
078	454764-2	CRANK CAP		1				
079	424608-0	SEAL RING B		1				
080	232280-2	LEAF SPRING		1				
081	454766-8	LINK LEVER		1				
082	911511-9	SKRUTKA M4X10		1				
083	454778-1	LINK GUIDE		1				
084	233611-8	TORSION SPRING 7		1				
085	911128-8	SKRUTKA M4x16		2				
086	346748-3	GUIDE RAIL		1				
087	142406-7	CRANK HOUSING A COMPLETE		1				
088	922359-4	H.S.H.BOLT M6X35 WITH WG		2				
089	454777-3	BASE A		1				
090	911233-1	SKRUTKA M5x20		3				

092	126476-4	TORQUE LIMITER ASSEMBLY		1			
D10		INC. 93-99					
093	227628-1	SPIRAL BEVEL GEAR 10		1			
094	211323-3	LOŽISKO GULIČKOVÉ 6904LLU		1			
095	142410-6	TORQUE LIMITER COMPLETE		1			
096	324727-1	SHOULDER WASHER 8		1			
097	210005-4	LOŽISKO GULIČKOVÉ 608DDW		1			
098	253215-0	PODLOŽKA 8		1			
099	961004-6	POISTNY KRUZOK S-8		1			
100	424609-8	SEAL RING A		1			
101	142409-1	GEAR HOUSING COMPLETE		1			
102	922359-4	H.S.H.BOLT M6X35 WITH WG		2			
103	213231-4	SIMMEROV KRÚŽOK 15 HR4500C		1			
104	326376-0	CRANK SHAFT		1	*		
104-1	327142-8	CRANK SHAFT	<	1			
105	211418-2	LOŽISKO GULIČKOVÉ 6006LLU HR4500C		1			
106	254229-2	KLIN 5 HR4000C/HR5001C/LC1230		2			
107	227788-9	HELICAL GEAR 46		1			
108	227336-4	SPUR GEAR 26		1			
109	961102-6	POISTNÝ KRÚŽOK S-22 5500S		1			
110	253843-1	PODLOŽKA 12 LC1230/HR5201		1			
111	331596-3	KRUZOK 12 HR4500C		1			
112	211238-4	LOŽISKO GULIČKOVÉ 6202LLU		1			
113	267215-4	PODLOŽKA 15 BTW/BTD200SH/GA70		1			
114	517898-3	ARMATURE ASS'Y 220-240V		1			
D10		INC. 111-113,115,116					
115	681642-5	IZOLACNA PODLOZKA		1			
116	210059-1	LOŽISKO GULIČKOVÉ 6000DDW		1			
117	266568-8	TAPPING SCREW 5X80		2			
118	454772-3	BAFFLE PLATE		1			
119	636303-2	STATOR 220V NA HR5201C/5210C/5211C		1			
120	632B59-7	BRUSH HOLDER UNIT		1			
121	195844-2	UHLÍKY CB-175		1			
122	454780-4	GUARD 52		1			
123	266041-8	SKRUTKA SAMOREZNÁ 5X25 HR2010		2			
124	454763-4	GEAR HOUSING COVER		1			
125	454757-9	MOTOR HOUSING		1			
126	922359-4	H.S.H.BOLT M6X35 WITH WG		2			
127	240016-5	KOLESO VENTILÁTORA 90 HR5001C		1			
128	253165-9	PODLOŽKA 8 253165-9		1			
129	252178-7	MATICA M8x12 4112HS		1			
130	454762-6	REAR COVER		1			
131	266041-8	SKRUTKA SAMOREZNÁ 5X25 HR2010		2			
132	695123-3	KÁBEL		1			
133	682560-0	CHRÁNIČ ŠNÚRY 10		1			
134	265995-6	SKRUTKA SAMOREZNÁ 4x18		1			
135	419024-9	DRŽIAK HR4011C		1			

137	687169-3	DRŽIAK KÁBLA HP1620/1621	1				
138	632C15-3	LEAD UNIT	1				
139	266041-8	SKRUTKA SAMOREZNÁ 5X25 HR2010	2				
140	253194-2	PODLOŽKA 5	2				
141	257813-2	SLEEVE 9	2				
142	620249-2	CONTROLLER	1				
143	265995-6	SKRUTKA SAMOREZNÁ 4x18	1				
144	454346-0	LENS	1				
145	234281-6	COMPRESSION SPRING 6	1				
146	632A83-4	SWITCH UNIT	1				
147	454336-3	SWITCH LEVER C	1				
148	187890-9	SWITCH CASE SET	1				
D10		INC. 149					
149	187890-9	SWITCH CASE SET	1				
D10		INC. 148					
150	266041-8	SKRUTKA SAMOREZNÁ 5X25 HR2010	2				
151	815W21-5	HR5212C NAME PLATE	1				
152	234283-2	COMPRESSION SPRING 18.5	2				
153	454758-7	HANDLE BASE	1				
154	454343-6	DUST SUPPORT A	1				
155	266041-8	SKRUTKA SAMOREZNÁ 5X25 HR2010	2				
156	454344-4	DUST SUPPORT B	1				
157	424557-1	DUST COVER	1				
158	454759-5	HANDLE A	1				
159	266041-8	SKRUTKA SAMOREZNÁ 5X25 HR2010	4				
160	454332-1	SWITCH LEVER A	1				
161	234285-8	COMPRESSION SPRING 7	1				
162	454327-4	SUB LEVER	1				
163	268309-8	PIN	1				
164	154626-1	DRŽIAK VYPINAČA HR4011	1				
165	650678-5	SWITCH C3PA-1121	1				
166	454760-0	HANDLE COVER	1				
167	265995-6	SKRUTKA SAMOREZNÁ 4x18	1				
168	257994-2	RETAINING RING(EXT)WR-44	1				
A01	135283-4	SIDE HANDLE 90 ASSEMBLY	1				
C10	252640-2	MATICA KRÍDLOVÁ M8	1				
C20	265439-6	SKRUTKA M8x150	1				
C30	318430-4	GRIFFSCHELLE 90A HM1214C	1				
C40	318431-2	SIDE HANDLE BASE 90B	1				
C50	417002-3	VACKA PRIDAVNEJ RUKOVÄTE	2				
C60	417003-1	PRIDAVNA RUKOVÄT HM1213C	1				
C70	951166-8	PRUŽNÝ KOLÍK 5-24 951166-8	1				
A02	135629-4	SIDE GRIP ASSEMBLY	1				
C10	158131-0	RUKOVÄŤ 36	1				
C20	234226-4	COMPRESSION SPRING 6	1				
C30	266163-4	SKRUTKA M8x80 HR3000C/HR5001C	1				
C40	313223-4	RACK GUIDE	1				

