



Makita Werkzeug Ges.m.b.H.

Airportstr. 4, 2401 Fischamend

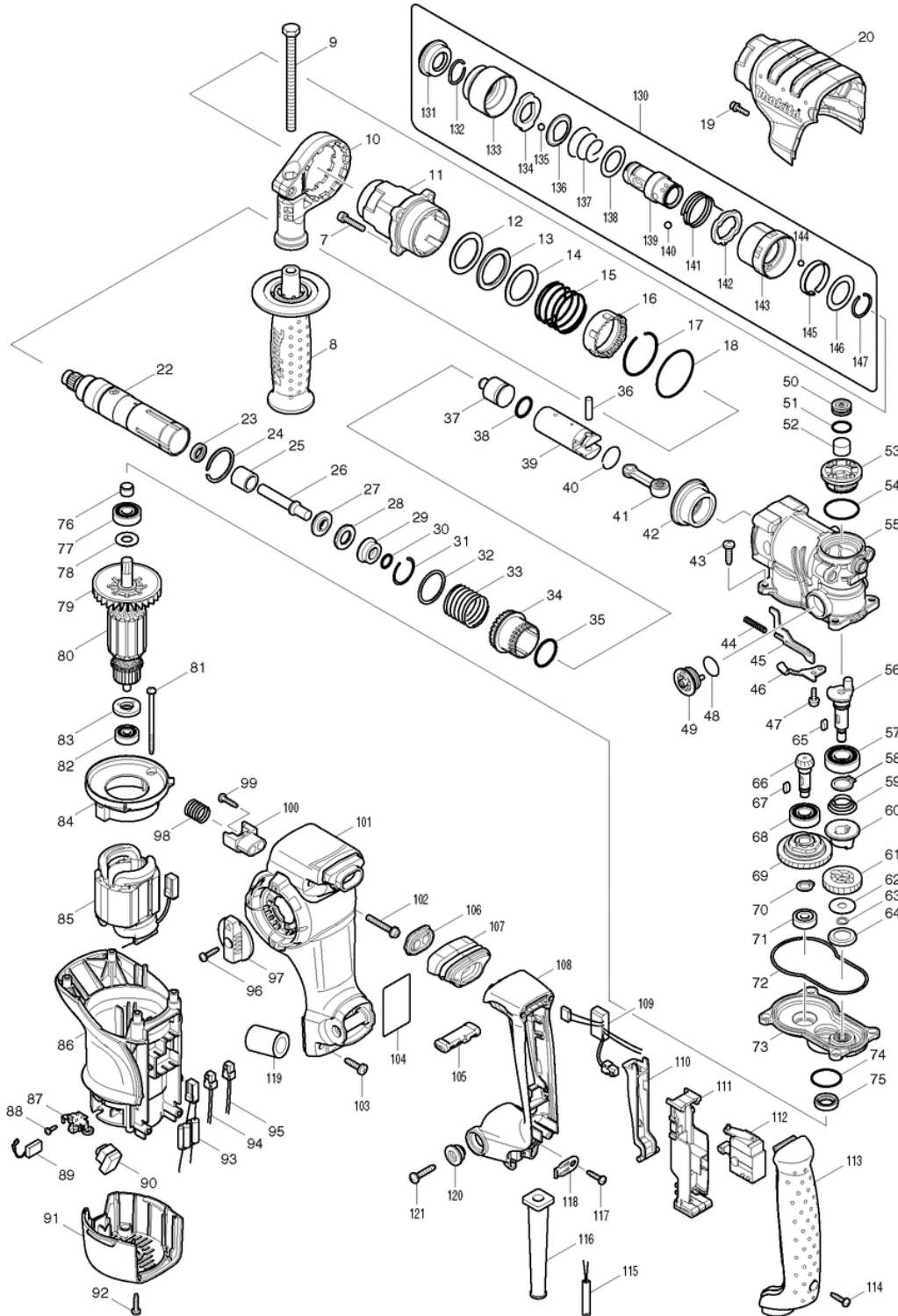
Tel: 02232 / 777 00

Fax: 02232 / 777 00 - 40

Mail: verkauf@makita.at

Web: www.makita.at

Makita Service Information / Model: HR2811FT





Makita Werkzeug Ges.m.b.H.

Airportstr. 4, 2401 Fischamend

Tel: 02232 / 777 00

Fax: 02232 / 777 00 - 40

Mail: verkauf@makita.at

Web: www.makita.at

Makita Service Information / Model: HR2811FT

| POS | Bestell-Nr. | Artikelbeschreibung | Stk. | Stk.Preis |
|------|-------------|--------------------------------|------|-----------|
| 7 | 922241-7 | INBUS. SKRUTKA 5x25 | 4 | N/A |
| 8 | 154842-5 | GRIP 36 COMPLETE | 1 | N/A |
| 8 | 158057-6 | GRIP 36 COMPLETE | 1 | N/A |
| 8.2 | 158057-6 | GRIP 36 COMPLETE | 1 | N/A |
| 9 | 921919-9 | HEX. BOLT M8X110 | 1 | N/A |
| 10 | 419975-6 | DRŽIAK RÚČKY 20 | 1 | N/A |
| 11 | 158288-7 | KRYT VALCA HR2800 | 1 | N/A |
| 12 | 267354-0 | PODLOŽKA 31 | 1 | N/A |
| 13 | 262133-1 | KRÚŽOK POLYURETÁN 31 | 1 | N/A |
| 14 | 267354-0 | PODLOŽKA 31 | 1 | N/A |
| 15 | 234020-4 | PRUŽINA PRÍTLAČNÁ 37 | 1 | N/A |
| 16 | 419986-1 | PUZDRO UMELE | 1 | N/A |
| 17 | 233952-2 | KRÚŽOK PRUŽNÝ 41 | 1 | N/A |
| 18 | 213620-3 | O-KRÚŽOK 46 BSR730SH/5704R | 1 | N/A |
| 19 | 922128-3 | IMBUSOVA SKRUTKA M4x16 neu | 1 | N/A |
| 20 | 419984-5 | KRYT PREVODOVKY | 1 | N/A |
| 22 | 158286-1 | DRŽIAK NÁSTROJA HR2810 | 1 | N/A |
| 23 | 213076-0 | SIMMEROV KRÚŽOK 9 | 1 | N/A |
| 23 | 213344-1 | SIMMEROV KRÚŽOK 9 HR2800 | 1 | N/A |
| 23.2 | 213344-1 | SIMMEROV KRÚŽOK 9 HR2800 | 1 | N/A |
| 24 | 961140-8 | POISTNÝ KRUŽOK | 1 | N/A |
| 25 | 331769-8 | PUZDRO 9 | 1 | N/A |
| 26 | 324796-2 | ÚDERNÍK HR2810 | 1 | N/A |
| 27 | 324402-9 | KRÚŽOK 10 | 1 | N/A |
| 28 | 421955-0 | KRÚŽOK LOŽISKA | 1 | N/A |
| 29 | 324216-6 | KRYT O-KRÚŽKU HR2020-2450F | 1 | N/A |
| 30 | 213073-6 | O-KRÚŽOK 9 HR2440/2020/2450/F | 1 | N/A |
| 31 | 233917-4 | PODLOŽKA PRUŽNÁ 28 HR2020 | 1 | N/A |
| 32 | 267105-1 | PODLOŽKA 29 HR2400 | 1 | N/A |
| 33 | 234021-2 | PRUŽINA PRÍTLAČNÁ 30 | 1 | N/A |
| 34 | 331770-3 | PUZDRO VODIACE | 1 | N/A |
| 35 | 213435-8 | O-KRÚŽOK 26 HR3000C/HR3550C | 1 | N/A |
| 36 | 256099-5 | KOLÍK 6 HR2410 | 1 | N/A |
| 37 | 324733-6 | ÚDERNÍK HR2460/70 | 1 | N/A |
| 38 | 213227-5 | O-KRÚŽOK 16 HK0500/HR2020-2450 | 1 | N/A |
| 39 | 331776-1 | VALEC PIESTA HR2800 | 1 | N/A |
| 40 | 233954-8 | KRÚŽOK PRUŽNÝ 21 | 1 | N/A |
| 41 | 158282-9 | OJNICA HR2800 | 1 | N/A |
| 42 | 227532-4 | KOLESO OZUBENÉ 31 | 1 | N/A |
| 43 | 266420-0 | SKRUTKA 5x20 | 4 | N/A |



Makita Werkzeug Ges.m.b.H.

Airportstr. 4, 2401 Fischamend

Tel: 02232 / 777 00

Fax: 02232 / 777 00 - 40

Mail: verkauf@makita.at

Web: www.makita.at

Makita Service Information / Model: HR2811FT

| POS | Bestell-Nr. | Artikelbeschreibung | Stk. | Stk.Preis |
|------|-------------|----------------------------------|------|-----------|
| 44 | 234019-9 | PRUŽINA PRÍTLAČNÁ 4 | 1 | N/A |
| 45 | 345814-3 | PLATNIČKA LAVÁ | 1 | N/A |
| 46 | 345815-1 | PLATNIČKA | 1 | N/A |
| 47 | 911118-1 | SKRUTKA M4x12 | 1 | N/A |
| 48 | 213262-3 | O-KRÚŽOK 18 4101R/4101RH | 1 | N/A |
| 49 | 162256-4 | PREPÍNAČ LAVÝ HR2800 | 1 | N/A |
| 50 | 419988-7 | KRÝT FILTRA HR2800 | 1 | N/A |
| 51 | 213218-6 | O-KRÚŽOK 16 AN7000 | 1 | N/A |
| 52 | 443129-3 | FILTER HR 2800 | 1 | N/A |
| 53 | 419987-9 | KRYTKA HR2800 | 1 | N/A |
| 54 | 213406-5 | O-KRÚŽOK 30 | 1 | N/A |
| 55 | 158289-5 | KRYT PREVODOVKY HR2800 | 1 | N/A |
| 55 | 158289-5 | KRYT PREVODOVKY HR2800 | 1 | N/A |
| 55.2 | 158289-5 | KRYT PREVODOVKY HR2800 | 1 | N/A |
| 56 | 324793-8 | OSKA HR2800 | 1 | N/A |
| 57 | 211232-6 | LOŽISKO GULIČKOVÉ 6002LLU HK0500 | 1 | N/A |
| 58 | 961055-9 | POISTNÝ KRÚŽOK S-15 3706-3708 | 1 | N/A |
| 59 | 233951-4 | PRUŽINA PRÍTLAČNÁ 16-26 | 1 | N/A |
| 60 | 223167-9 | SPOJKA HR2800 | 1 | N/A |
| 61 | 226653-9 | KOLESO OZUBENÉ 29 | 1 | N/A |
| 62 | 267353-2 | PODLOŽKA 8 | 1 | N/A |
| 63 | 961034-7 | POISTNÝ KRÚŽOK HR 2800 | 1 | N/A |
| 64 | 345818-5 | PODLOŽKA | 1 | N/A |
| 65 | 254239-9 | KLIN 4 HR3000C/HR3550C | 2 | N/A |
| 66 | 227524-3 | KOLESO OZUBENÉ 9 HR2800 | 1 | N/A |
| 67 | 254239-9 | KLIN 4 HR3000C/HR3550C | 1 | N/A |
| 68 | 210105-0 | LOŽISKO GULIČKOVÉ 60001LLU | 1 | N/A |
| 69 | 125386-2 | SPOJKA ZUBOVÁ HR2800 | 1 | N/A |
| 70 | 961006-2 | POISTNY KRUZOK S-10 | 1 | N/A |
| 71 | 210024-0 | LOŽISKO GULIČKOVÉ 608 2RS | 1 | N/A |
| 72 | 424028-8 | KRÚŽOK TESNIACI HR 2800 | 1 | N/A |
| 73 | 158287-9 | KRYT PREVODOVKY HR2800 | 1 | N/A |
| 74 | 213445-5 | O-KRÚŽOK 26 MT952/953/9554-58N | 1 | N/A |
| 75 | 213133-4 | SIMMEROV KRÚŽOK 12 | 1 | N/A |
| 75.2 | 213678-2 | OIL SEAL 12 | 1 | N/A |
| 76 | 331775-3 | PUZDRO 10 | 1 | N/A |
| 77 | 210054-1 | LOŽISKO GULIČKOVÉ 6000LLU HM1100 | 1 | N/A |
| 78 | 253171-4 | PODLOŽKA VYMEDZOVACIA 10 | 1 | N/A |
| 79 | 240095-3 | Fan 64 | 1 | N/A |
| 80 | 515294-9 | KOTVA UPLNA 220 V HR 2800 | 1 | N/A |



Makita Werkzeug Ges.m.b.H.

Airportstr. 4, 2401 Fischamend

Tel: 02232 / 777 00

Fax: 02232 / 777 00 - 40

Mail: verkauf@makita.at

Web: www.makita.at

Makita Service Information / Model: HR2811FT

| POS | Bestell-Nr. | Artikelbeschreibung | Stk. | Stk.Preis |
|-----|-------------|-------------------------------|------|-----------|
| 80 | | *** INC. 79,82,83 | | N/A |
| 81 | 266325-4 | SKRUTKA SAMOREZNÁ 4X70 | 2 | N/A |
| 82 | 210023-2 | LOŽISKO GULIČKOVÉ 627DDW | 1 | N/A |
| 83 | 681656-4 | IZOLACNA PODLOZKA | 1 | N/A |
| 84 | 419989-5 | DOSKA ODKLONU VZD. | 1 | N/A |
| 85 | 526584-5 | STATOR HR 2800 | 1 | N/A |
| 86 | 419982-9 | KRYT MOTORA HR2811 | 1 | N/A |
| 87 | 643766-5 | DRŽIAK UHLÍKOV HR2800 | 2 | N/A |
| 88 | 266421-8 | SKRUTKA SAMOREZNÁ 3x10 | 2 | N/A |
| 89 | 194074-2 | UHLÍKY CB-325 | 1 | N/A |
| 90 | 631754-4 | OSVETLENIE HR2811 | 1 | N/A |
| 91 | 419983-7 | KRYT VENTILÁTORA HR2800 | 1 | N/A |
| 92 | 266326-2 | SKRUTKA SAMOREZNÁ | 2 | N/A |
| 93 | 638568-2 | KONDENZÁTOR HR 2800 | 1 | N/A |
| 94 | 638567-4 | PREP.KÁBEL | 1 | N/A |
| 95 | 638566-6 | PREP.KÁBEL | 1 | N/A |
| 96 | 266326-2 | SKRUTKA SAMOREZNÁ | 1 | N/A |
| 97 | 158284-5 | PREPÍNAČ HR2800 | 1 | N/A |
| 98 | 234022-0 | PRUŽINA PRÍTLAČNÁ 14 HR2811 | 1 | N/A |
| 99 | 266326-2 | SKRUTKA SAMOREZNÁ | 2 | N/A |
| 100 | 419995-0 | PUZDRO PRUŽINY HR2811 | 1 | N/A |
| 101 | 419979-8 | DRŽIAK RÚČKY HR2811 | 1 | N/A |
| 102 | 911258-5 | SKRUTKA M5x35 | 2 | N/A |
| 103 | 266420-0 | SKRUTKA 5x20 | 2 | N/A |
| 104 | 863933-8 | ŠTÍTOK HR2811FT | 1 | N/A |
| 105 | 419992-6 | PREPÍNAČ | 1 | N/A |
| 106 | 419994-2 | KRYTKA HR2811 | 1 | N/A |
| 107 | 424029-6 | KRYTKA GUMENNÁ HR2811 | 1 | N/A |
| 108 | 419978-0 | RÚČKA VYPÍNAČA HR2811 | 1 | N/A |
| 109 | 631753-6 | ELEKTRONIKA REGULAČNÁ HR2811F | 1 | N/A |
| 110 | 419990-0 | PAKA VYPÍNAČA | 1 | N/A |
| 111 | 158281-1 | DRŽIAK VYPÍNAČA | 1 | N/A |
| 112 | 650591-7 | VYPINAC HR 2800 | 1 | N/A |
| 113 | 419980-3 | KRYT RÚČKY HR2800 | 1 | N/A |
| 114 | 266326-2 | SKRUTKA SAMOREZNÁ | 1 | N/A |
| 115 | 665890-4 | KÁBEL 1,0-5-4,0 | 1 | N/A |
| 116 | 682573-1 | CHRÁNIČ ŠNÚRY10 GA7010C/9010C | 1 | N/A |
| 117 | 266326-2 | SKRUTKA SAMOREZNÁ | 1 | N/A |
| 118 | 687169-3 | DRŽIAK KÁBLA HP1620/1621 | 1 | N/A |
| 119 | 685722-9 | FITER 4302C/3620/RP.usw | 1 | N/A |



Makita Werkzeug Ges.m.b.H.

Airportstr. 4, 2401 Fischamend

Tel: 02232 / 777 00

Fax: 02232 / 777 00 - 40

Mail: verkauf@makita.at

Web: www.makita.at

Makita Service Information / Model: HR2811FT

| POS | Bestell-Nr. | Artikelbeschreibung | Stk. | Stk.Preis |
|-------|-------------|--------------------------------|------|-----------|
| 120 | 313139-3 | PUZDRO 6 HR2811 | 2 | N/A |
| 121 | 266041-8 | SKRUTKA SAMOREZNÁ 5X25 HR2010 | 2 | N/A |
| 130 | 194080-7 | TOOL HOLDER SET | 1 | N/A |
| 130 | | *** INC. 131-147 | | N/A |
| 131 | 286263-4 | VIEČKO 35 HR2440/2020/2450/F | 1 | N/A |
| 132 | 233940-9 | KRÚŽOK PRUŽNÝ 19 | 1 | N/A |
| 133 | 418217-5 | Kryt skľučovadla | 1 | N/A |
| 134 | 345333-9 | DRŽIAK | 1 | N/A |
| 135 | 216022-2 | GULKA OCEĽOVÁ 7,0 | 1 | N/A |
| 136 | 345187-4 | PODLOŽKA | 1 | N/A |
| 137 | 233916-6 | PRUŽINA KONICKÁ 21-29 HR2450 | 1 | N/A |
| 138 | 267279-8 | PODLOŽKA 21 | 1 | N/A |
| 139 | 324355-2 | DRŽIAK NÁSTROJA | 1 | N/A |
| 140 | 216013-3 | GULKA OCEĽOVÁ | 2 | N/A |
| 141 | 231669-1 | PRUŽINA TORZNÁ 31 | 1 | N/A |
| 142 | 345334-7 | KRÚŽOK KOVOVÝ | 1 | N/A |
| 143 | 418218-3 | KRYT HLAVICE | 1 | N/A |
| 144 | 216018-3 | GULKA OCEĽOVÁ 5,0 | 1 | N/A |
| 145 | 345335-5 | PRUŽINA LISTOVÁ | 1 | N/A |
| 146 | 267270-6 | PODLOŽKA 24 HR2450T | 1 | N/A |
| 147 | 233924-7 | PODLOŽKA PRUŽNÁ 21 | 1 | N/A |
| 148 | 819355-0 | CLEAR LABEL | 1 | N/A |
| 148 | 892373-3 | CLEAR LABEL | 1 | N/A |
| 148.2 | 892373-3 | CLEAR LABEL | 1 | N/A |
| 149 | 123197-9 | TOOL HOLDER COMPLETE | 1 | N/A |
| 149 | | *** INC. 22-31 | | N/A |
| 1001 | 324219-0 | DORAZ HĽBKOVÝ | 1 | N/A |
| 1002 | 824789-4 | PLASTIC CARRYING CASE | 1 | N/A |
| 1002 | 821550-0 | CONNECTOR PLASTIC CASE (TYPE2) | 1 | N/A |
| 1003 | 805780-1 | HR2811FT PLASTIC CASE LABEL | 1 | N/A |
| 1003 | 802535-9 | HR2811FTJ PLASTIC CASE LABEL | 2 | N/A |
| 1004 | 194079-2 | DRILL CHUCK SET | 1 | N/A |
| 1005 | 802534-1 | HR2811FTJ INDICATION LABEL | 1 | N/A |
| 1006 | 837868-9 | INNER TRAY | 1 | N/A |