



# Makita Werkzeug Ges.m.b.H.

Airportstr. 4, 2401 Fischamend

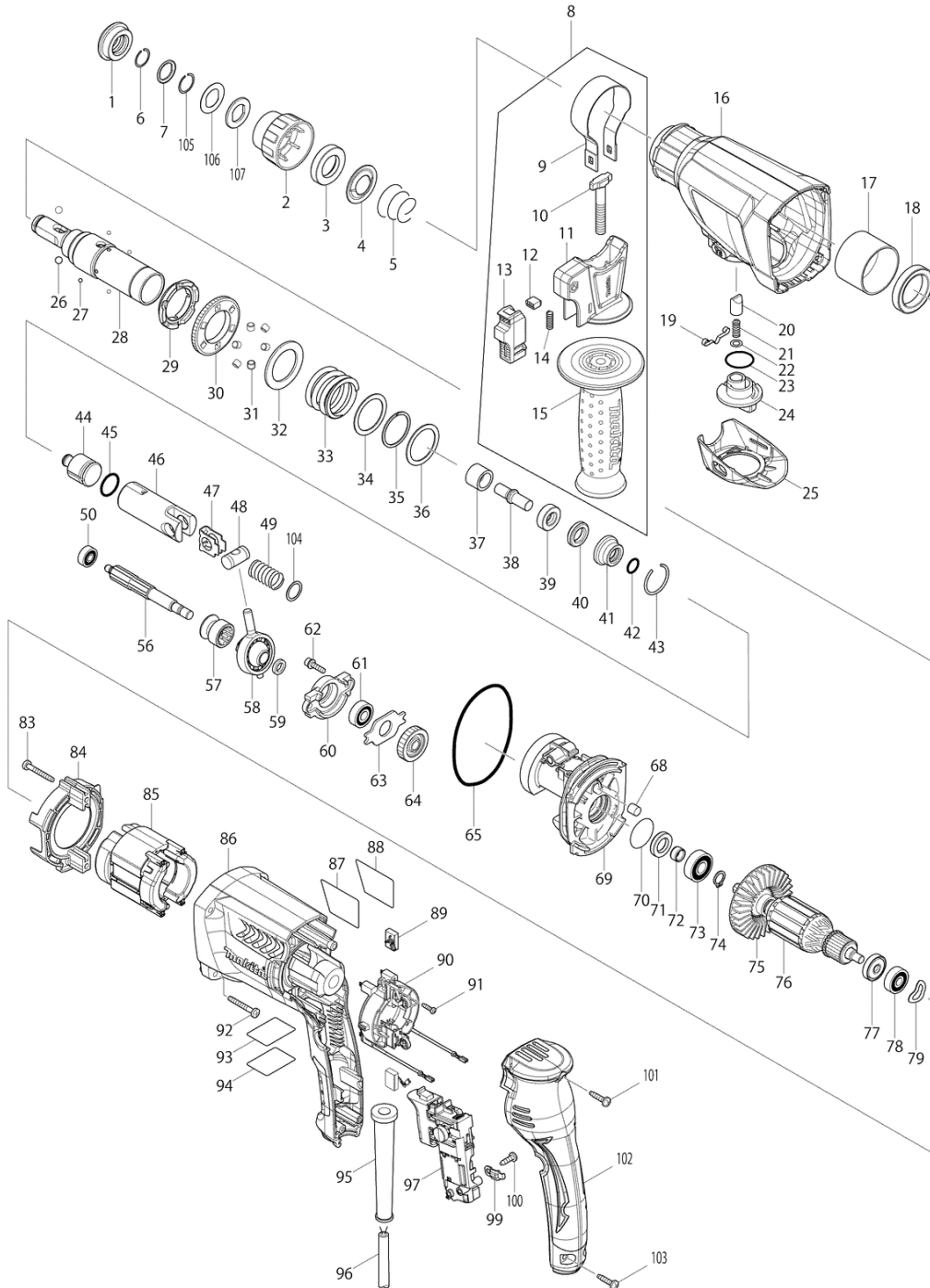
Tel: 02232 / 777 00

Fax: 02232 / 777 00 - 40

Mail: [verkauf@makita.at](mailto:verkauf@makita.at)

Web: [www.makita.at](http://www.makita.at)

## Makita Service Information / Model: HR2600





# Makita Werkzeug Ges.m.b.H.

Airportstr. 4, 2401 Fischamend

Tel: 02232 / 777 00

Fax: 02232 / 777 00 - 40

Mail: verkauf@makita.at

Web: www.makita.at

## Makita Service Information / Model: HR2600

| POS  | Bestell-Nr. | Artikelbeschreibung           | Stk. | Stk.Preis |
|------|-------------|-------------------------------|------|-----------|
| 1    | 286288-8    | CAP 35                        | 1    | N/A       |
| 2    | 451533-2    | CHUCK COVER                   | 1    | N/A       |
| 3    | 325813-1    | RING 21                       | 1    | N/A       |
| 4    | 346177-0    | GUIDE WASHER                  | 1    | N/A       |
| 5    | 233916-6    | PRUŽINA KONICKÁ 21-29 HR2450  | 1    | N/A       |
| 6    | 233989-9    | RING SPRING 14                | 1    | N/A       |
| 7    | 346221-3    | WASHER 16                     | 1    | N/A       |
| 8    | 122878-2    | GRIP ASSEMBLY                 | 1    | N/A       |
| 8    |             | *** INC. 9-15                 |      | N/A       |
| 9    | 346181-9    | GRIP SPRING 50                | 1    | N/A       |
| 10   | 266349-0    | M8 X 50 T BOLT                | 1    | N/A       |
| 11   | 451539-0    | GRIP BASE                     | 1    | N/A       |
| 12   | 313179-1    | Rack                          | 1    | N/A       |
| 13   | 451540-5    | LOCK BUTTON                   | 1    | N/A       |
| 13   | 141765-6    | LOCK BUTTON                   | 1    | N/A       |
| 13.2 | 141765-6    | LOCK BUTTON                   | 1    | N/A       |
| 14   | 233360-7    | COMPRESSION SPRING 4          | 1    | N/A       |
| 15   | 154935-8    | GRIP 36 COMPLETE              | 1    | N/A       |
| 16   | 140270-0    | GEAR HOUSING COMPLETE         | 1    | N/A       |
| 17   | 331890-3    | NEEDLE BEARING COMPLETE       | 1    | N/A       |
| 18   | 211294-4    | BALL BEARING 6806LLU          | 1    | N/A       |
| 19   | 232152-1    | LEAF SPRING                   | 1    | N/A       |
| 20   | 325785-0    | PUSH Corn                     | 1    | N/A       |
| 21   | 234147-0    | COMPRESSION SPRING 5          | 1    | N/A       |
| 22   | 253308-3    | THIN WASHER 6                 | 1    | N/A       |
| 23   | 213381-5    | O-KRÚŽOK 21 HR3510/20         | 1    | N/A       |
| 24   | 451531-6    | CHANGE LEVER B                | 1    | N/A       |
| 25   | 451532-4    | Change Lever Cover B          | 1    | N/A       |
| 26   | 216022-2    | GULKA OCEĽOVÁ 7,0             | 2    | N/A       |
| 27   | 216019-1    | GULKA OCEĽOVÁ 3               | 4    | N/A       |
| 28   | 140264-5    | TOOL HOLDER COMPLETE          | 1    | N/A       |
| 29   | 313149-0    | Driving Flange                | 1    | N/A       |
| 29.2 | 332139-4    | ANTRIEBSFLANSCH DHR243,HR2300 | 1    | N/A       |
| 30   | 227232-6    | SPUR GEAR 51                  | 1    | N/A       |
| 30.2 | 227360-7    | ZAHNRAD 51 HR2300             | 1    | N/A       |
| 31   | 268226-2    | KOLÍK 6                       | 6    | N/A       |
| 32   | 267414-8    | FLAT WASHER 30                | 1    | N/A       |
| 33   | 234148-8    | COMPRESSION SPRING 31         | 1    | N/A       |
| 34   | 267153-0    | FLAT WASHER 30                | 1    | N/A       |
| 35   | 257932-4    | SPIRO LOCK WASHER 30          | 1    | N/A       |



## Makita Werkzeug Ges.m.b.H.

Airportstr. 4, 2401 Fischamend

Tel: 02232 / 777 00

Fax: 02232 / 777 00 - 40

Mail: verkauf@makita.at

Web: www.makita.at

### Makita Service Information / Model: HR2600

| POS  | Bestell-Nr. | Artikelbeschreibung           | Stk. | Stk.Preis |
|------|-------------|-------------------------------|------|-----------|
| 36   | 267153-0    | FLAT WASHER 30                | 1    | N/A       |
| 37   | 325782-6    | SLEEVE 9a                     | 1    | N/A       |
| 38   | 325789-2    | IMPACT BOLT                   | 1    | N/A       |
| 39   | 325794-9    | RING 10a                      | 1    | N/A       |
| 40   | 424267-0    | Cushion Ring 12               | 1    | N/A       |
| 41   | 325798-1    | O Ring Case A                 | 1    | N/A       |
| 42   | 213073-6    | O-KRÚŽOK 9 HR2440/2020/2450/F | 1    | N/A       |
| 43   | 233979-2    | Ring Spring 28                | 1    | N/A       |
| 44   | 325784-2    | STRIKER                       | 1    | N/A       |
| 45   | 213258-4    | O-KRÚŽOK 17,5                 | 1    | N/A       |
| 46   | 310345-1    | PISTON CYLINDER               | 1    | N/A       |
| 47   | 346036-8    | GUIDE PLATE                   | 1    | N/A       |
| 48   | 324215-8    | ČAP PIESTNY HR2020-2450/F     | 1    | N/A       |
| 49   | 234098-7    | COMPRESSION SPRING 14         | 1    | N/A       |
| 50   | 211012-0    | LOŽISKO GULIČKOVÉ 606ZZ       | 1    | N/A       |
| 50.2 | 210028-2    | BALL BEARING 606ZZ            | 1    | N/A       |
| 56   | 227243-1    | SPUR GEAR 10                  | 1    | N/A       |
| 57   | 331815-7    | CLUTCH CAM B                  | 1    | N/A       |
| 58   | 219020-5    | SWASH BEARING 10              | 1    | N/A       |
| 59   | 267234-0    | PODLOŽKA 8 HR2440/2020/2450/F | 1    | N/A       |
| 60   | 310344-3    | BEARING BOX                   | 1    | N/A       |
| 61   | 211032-4    | LOŽISKO GULIČKOVÉ 608ZZ       | 1    | N/A       |
| 62   | 266437-3    | SKRUTKA M4X16 NA HR4001C      | 2    | N/A       |
| 63   | 285735-6    | BEARING RETAINER              | 1    | N/A       |
| 64   | 227719-8    | HELICAL GEAR 26               | 1    | N/A       |
| 65   | 213728-3    | O-KRÚŽOK 68 BHR261            | 1    | N/A       |
| 68   | 443153-6    | FELT                          | 1    | N/A       |
| 69   | 140269-5    | INNER HOUSING COMPLETE        | 1    | N/A       |
| 69   | 141572-7    | INNER HOUSING COMPLETE        | 1    | N/A       |
| 69.2 | 141572-7    | INNER HOUSING COMPLETE        | 1    | N/A       |
| 69.3 | 141572-7    | INNER HOUSING COMPLETE        | 1    | N/A       |
| 70   | 213407-3    | O-KRÚŽOK 26                   | 1    | N/A       |
| 71   | 213133-4    | SIMMEROV KRÚŽOK 12            | 1    | N/A       |
| 71   | 213678-2    | OIL SEAL 12                   | 1    | N/A       |
| 71.2 | 213678-2    | OIL SEAL 12                   | 1    | N/A       |
| 72   | 262569-4    | SLEEVE 9                      | 1    | N/A       |
| 73   | 211097-6    | LOŽISKO GULIČKOVÉ 6000LLB     | 1    | N/A       |
| 74   | 961006-2    | POISTNY KRUZOK S-10           | 1    | N/A       |
| 75   | 240121-8    | FAN 65                        | 1    | N/A       |
| 76   | 515359-7    | Armature Assembly 240V        | 1    | N/A       |



## Makita Werkzeug Ges.m.b.H.

Airportstr. 4, 2401 Fischamend

Tel: 02232 / 777 00

Fax: 02232 / 777 00 - 40

Mail: verkauf@makita.at

Web: www.makita.at

### Makita Service Information / Model: HR2600

| POS  | Bestell-Nr. | Artikelbeschreibung             | Stk. | Stk.Preis |
|------|-------------|---------------------------------|------|-----------|
| 76   |             | *** INC. 72-75,77,78            |      | N/A       |
| 77   | 681652-2    | IZOLAČNÁ PODLOŽKA JR180D/TW0200 | 1    | N/A       |
| 78   | 210023-2    | LOŽISKO GULIČKOVÉ 627DDW        | 1    | N/A       |
| 79   | 267804-5    | PODLOŽKA PRUŽNÁ 15              | 1    | N/A       |
| 83   | 266361-0    | SKRUTKA SAMOREZNÁ 4x30          | 2    | N/A       |
| 84   | 451527-7    | BAFFLE PLATE                    | 1    | N/A       |
| 85   | 626634-7    | FIELD 240V                      | 1    | N/A       |
| 86   | 451536-6    | MOTOR HOUSING                   | 1    | N/A       |
| 87   | 867673-0    | NAME PLATE HR2600               | 1    | N/A       |
| 88   | 819390-8    | Clear Label                     | 1    | N/A       |
| 89   | 194074-2    | UHLÍKY CB-325                   | 1    | N/A       |
| 90   | 638655-7    | BRUSH HOLDER UNIT               | 1    | N/A       |
| 91   | 266556-5    | TAPPING SCREW 3x12              | 2    | N/A       |
| 92   | 266361-0    | SKRUTKA SAMOREZNÁ 4x30          | 4    | N/A       |
| 93   | 867676-4    | HR2600 Serial No. Label         | 1    | N/A       |
| 94   | 819389-3    | Clear Label                     | 1    | N/A       |
| 95   | 682566-8    | CHRÁNIČ ŠNÚRY 10 HR2450/F/2440F | 1    | N/A       |
| 96   | 665890-4    | KÁBEL 1,0-5-4,0                 | 1    | N/A       |
| 97   | 650625-6    | SWITCH                          | 1    | N/A       |
| 99   | 687682-1    | STRAIN RELIEF                   | 1    | N/A       |
| 100  | 266385-6    | TAPPING SCREW 4x14              | 1    | N/A       |
| 101  | 266326-2    | SKRUTKA SAMOREZNÁ               | 1    | N/A       |
| 102  | 451528-5    | HANDLE COVER                    | 1    | N/A       |
| 103  | 266326-2    | SKRUTKA SAMOREZNÁ               | 2    | N/A       |
| 104  | 267447-3    | FLAT WASHER 14                  | 1    | N/A       |
| 105  | 233992-0    | RING SPRING 15                  | 1    | N/A       |
| 106  | 267437-6    | FLAT WASHER 17                  | 1    | N/A       |
| 107  | 424364-2    | RUBBER WASHER 16                | 1    | N/A       |
| 1001 | 331886-4    | DEPTH GAUGE                     | 1    | N/A       |
| 1002 | 824914-7    | PLASTIC CARRYING CASE           | 1    | N/A       |
| 1002 | 821550-0    | CONNECTOR PLASTIC CASE (TYPE2)  | 1    | N/A       |
| 1003 | 816423-0    | HR2600 PLASTIC CASE LABEL       | 2    | N/A       |
| 1003 | 803L31-8    | HR2600J PLASTIC CASE LABEL      | 2    | N/A       |
| 1006 | 803L30-0    | HR2600J INDICATION LABEL        | 1    | N/A       |
| 1007 | 837651-4    | INNER TRAY                      | 1    | N/A       |