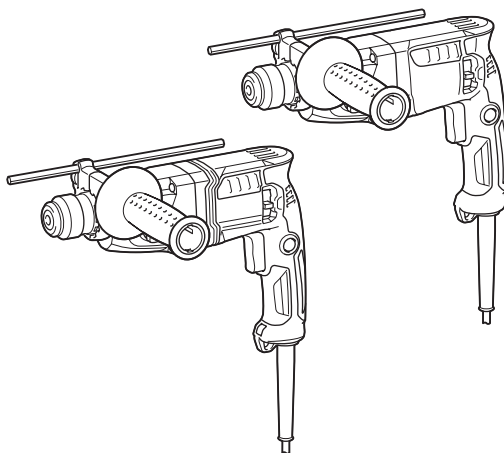
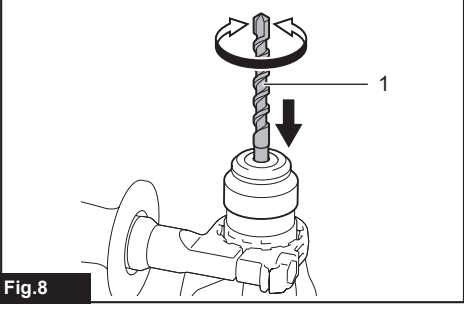
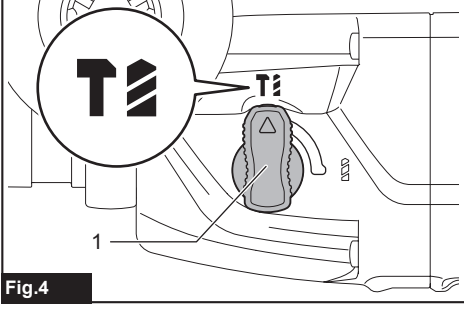
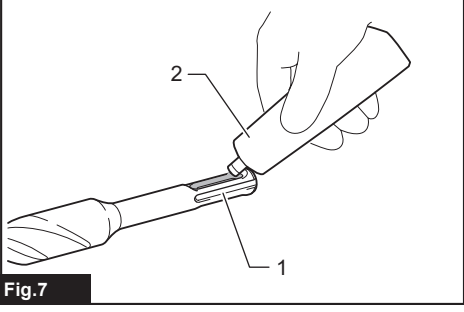
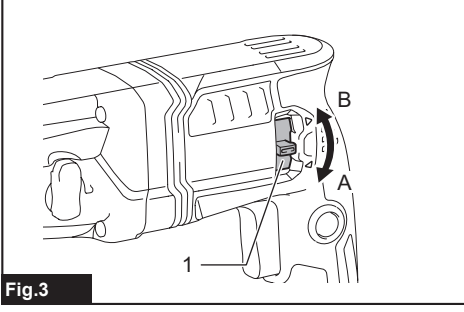
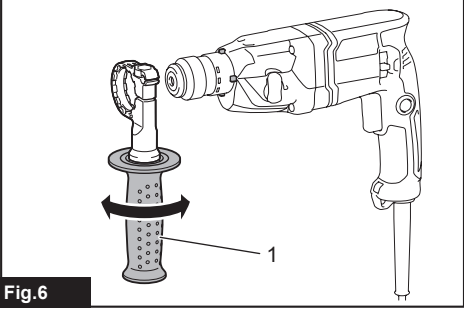
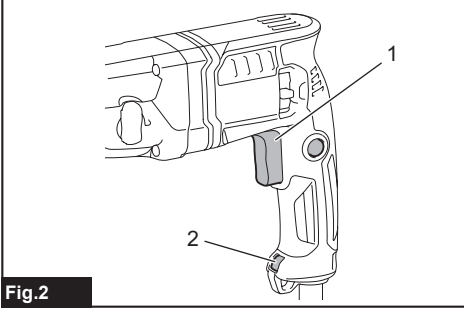
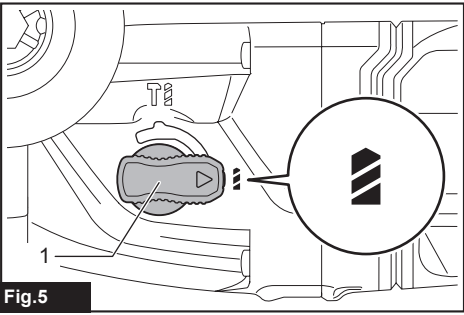
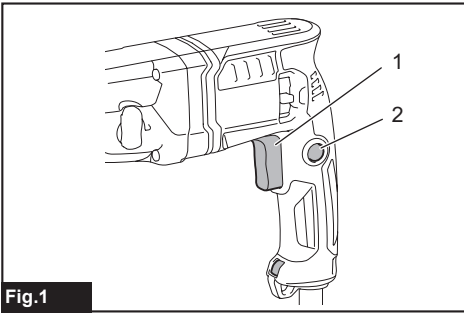




EN	Rotary Hammer	INSTRUCTION MANUAL	6
PL	Młotowiertarka	INSTRUKCJA OBSŁUGI	11
HU	Fúrókalapács	HASZNÁLATI KÉZIKÖNYV	17
SK	Vrtacie kladivo	NÁVOD NA OBSLUHU	22
CS	Vrtací a sekací kladivo	NÁVOD K OBSLUZE	27
UK	Перфоратор	ІНСТРУКЦІЯ З ЕКСПЛУАТАЦІЇ	32
RO	Ciocan rotopercutor	MANUAL DE INSTRUCȚIUNI	38
DE	Bohrhammer	BETRIEBSANLEITUNG	43

HR1840 HR1841F





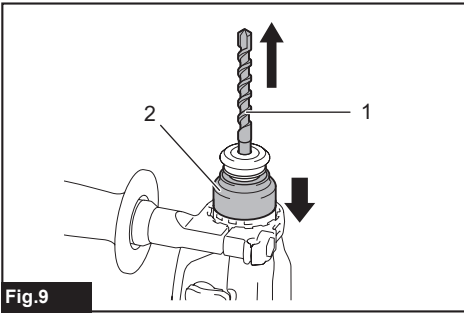


Fig.9

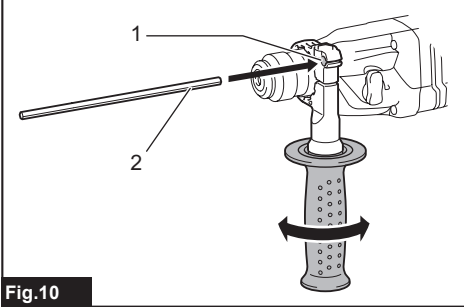


Fig.10

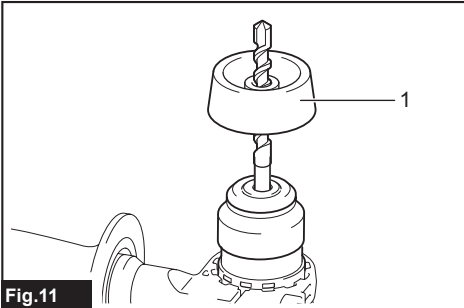


Fig.11

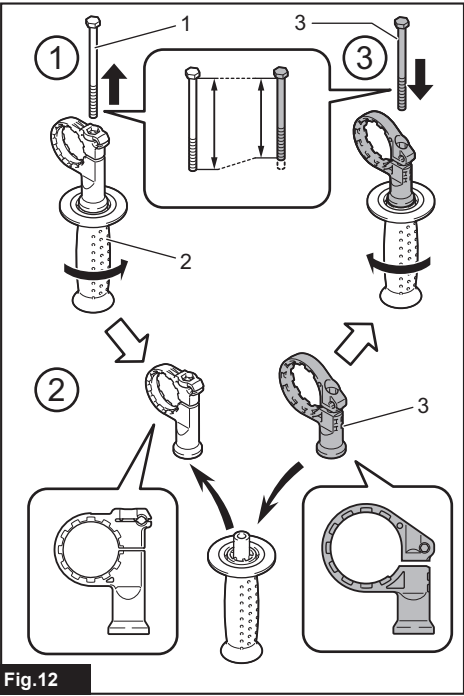


Fig.12

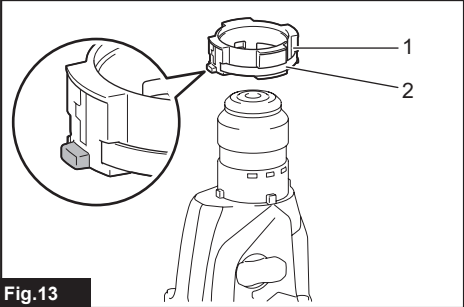


Fig.13

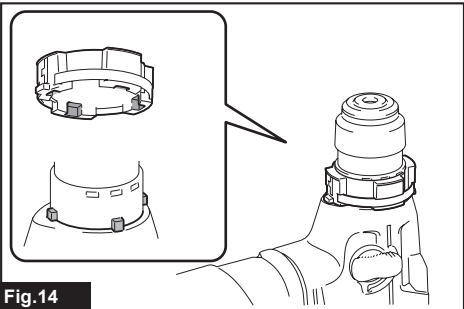
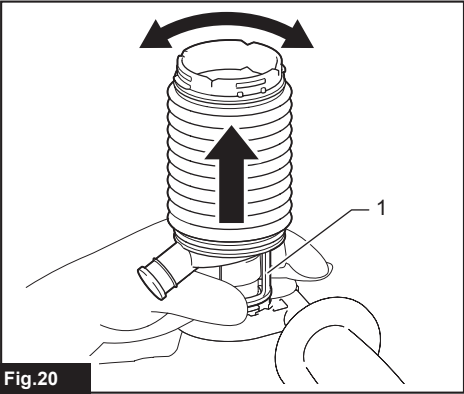
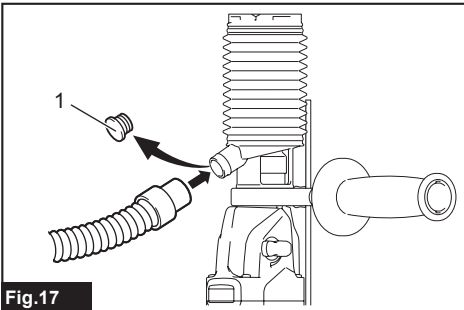
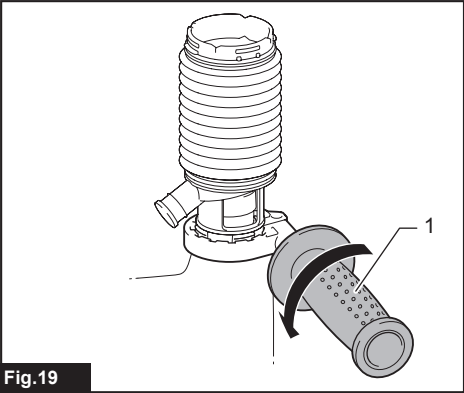
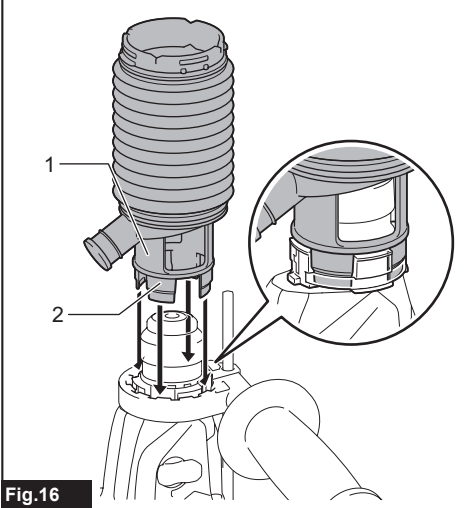
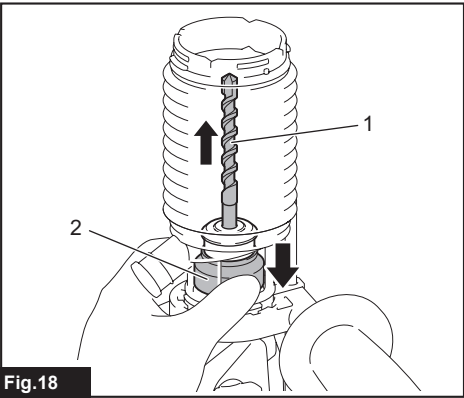
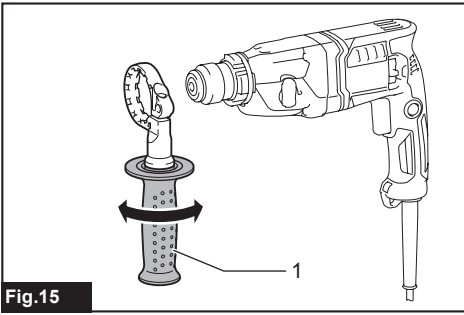
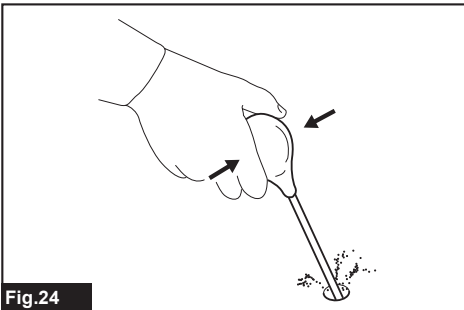
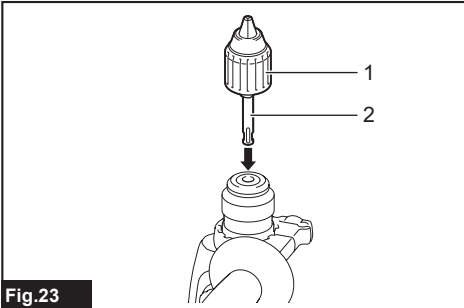
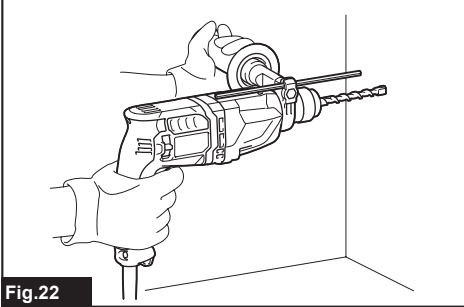
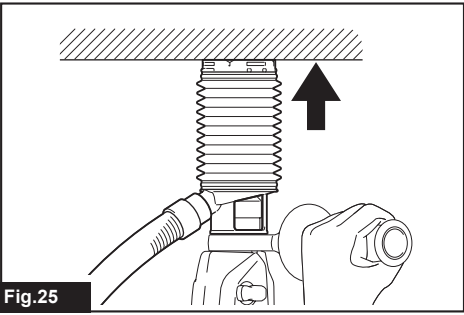
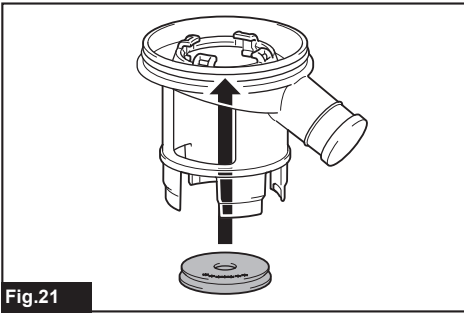


Fig.14





SPECIFICATIONS

Model:		HR1840	HR1841F
Capacities	Concrete	18 mm	
	Core bit	35 mm	
	Diamond core bit (dry type)	65 mm	
	Steel	13 mm	
	Wood	24 mm	
No load speed		0 - 2,100 min ⁻¹	
Blows per minute		0 - 4,800 min ⁻¹	
Overall length		285 mm	
Net weight		2.0 - 2.4 kg	2.0 - 2.5 kg
Safety class		□/II	

- Due to our continuing program of research and development, the specifications herein are subject to change without notice.
- Specifications may differ from country to country.
- The weight may differ depending on the attachment(s). The lightest and heaviest combination, according to EPTA-Procedure 01/2014, are shown in the table.

Intended use

The tool is intended for hammer drilling and drilling in brick, concrete and stone. It is also suitable for drilling without impact in wood, metal, ceramic and plastic.

Power supply

The tool should be connected only to a power supply of the same voltage as indicated on the nameplate, and can only be operated on single-phase AC supply. They are double-insulated and can, therefore, also be used from sockets without earth wire.

Noise

The typical A-weighted noise level determined according to EN60745:

Model HR1840

Sound pressure level (L_{pA}) : 87 dB(A)
 Sound power level (L_{WA}) : 98 dB (A)
 Uncertainty (K) : 3 dB(A)

Model HR1841F

Sound pressure level (L_{pA}) : 87 dB(A)
 Sound power level (L_{WA}) : 98 dB (A)
 Uncertainty (K) : 3 dB(A)

▲WARNING: Wear ear protection.

Vibration

The vibration total value (tri-axial vector sum) determined according to EN60745:

Model HR1840

Work mode: hammer drilling into concrete
 Vibration emission (a_{h,HD}): 10.0 m/s²
 Uncertainty (K) : 1.5 m/s²

Work mode: drilling into metal
 Vibration emission (a_{h,D}): 3.0 m/s²
 Uncertainty (K) : 1.5 m/s²

Model HR1841F

Work mode: hammer drilling into concrete
 Vibration emission (a_{h,HD}): 7.5 m/s²
 Uncertainty (K) : 1.5 m/s²

Work mode: drilling into metal
 Vibration emission (a_{h,D}): 3.0 m/s²
 Uncertainty (K) : 1.5 m/s²

NOTE: The declared vibration emission value has been measured in accordance with the standard test method and may be used for comparing one tool with another.

NOTE: The declared vibration emission value may also be used in a preliminary assessment of exposure.

▲WARNING: The vibration emission during actual use of the power tool can differ from the declared emission value depending on the ways in which the tool is used.

▲WARNING: Be sure to identify safety measures to protect the operator that are based on an estimation of exposure in the actual conditions of use (taking account of all parts of the operating cycle such as the times when the tool is switched off and when it is running idle in addition to the trigger time).

EC Declaration of Conformity

For European countries only

The EC declaration of conformity is included as Annex A to this instruction manual.

SAFETY WARNINGS

General power tool safety warnings

⚠ WARNING: Read all safety warnings, instructions, illustrations and specifications provided with this power tool. Failure to follow all instructions listed below may result in electric shock, fire and/or serious injury.

Save all warnings and instructions for future reference.

The term "power tool" in the warnings refers to your mains-operated (corded) power tool or battery-operated (cordless) power tool.

ROTARY HAMMER SAFETY WARNINGS

1. **Wear ear protectors.** Exposure to noise can cause hearing loss.
2. **Use auxiliary handle(s), if supplied with the tool.** Loss of control can cause personal injury.
3. **Hold power tool by insulated gripping surfaces, when performing an operation where the cutting accessory may contact hidden wiring or its own cord.** Cutting accessory contacting a "live" wire may make exposed metal parts of the power tool "live" and could give the operator an electric shock.
4. **Wear a hard hat (safety helmet), safety glasses and/or face shield. Ordinary eye or sun glasses are NOT safety glasses.** It is also highly recommended that you wear a dust mask and thickly padded gloves.
5. **Be sure the bit is secured in place before operation.**
6. **Under normal operation, the tool is designed to produce vibration. The screws can come loose easily, causing a breakdown or accident. Check tightness of screws carefully before operation.**
7. **In cold weather or when the tool has not been used for a long time, let the tool warm up for a while by operating it under no load. This will loosen up the lubrication. Without proper warm-up, hammering operation is difficult.**
8. **Always be sure you have a firm footing. Be sure no one is below when using the tool in high locations.**
9. **Hold the tool firmly with both hands.**
10. **Keep hands away from moving parts.**
11. **Do not leave the tool running. Operate the tool only when hand-held.**
12. **Do not point the tool at any one in the area when operating. The bit could fly out and injure someone seriously.**
13. **Do not touch the bit, parts close to the bit, or workpiece immediately after operation; they may be extremely hot and could burn your skin.**
14. **Some material contains chemicals which may be toxic. Take caution to prevent dust inhalation and skin contact. Follow material supplier safety data.**
15. **Do not touch the power plug with wet hands.**

SAVE THESE INSTRUCTIONS.

⚠ WARNING: DO NOT let comfort or familiarity with product (gained from repeated use) replace strict adherence to safety rules for the subject product. MISUSE or failure to follow the safety rules stated in this instruction manual may cause serious personal injury.

FUNCTIONAL DESCRIPTION

⚠ CAUTION: Always be sure that the tool is switched off and unplugged before adjusting or checking function on the tool.

Switch action

⚠ CAUTION: Before plugging in the tool, always check to see that the switch trigger actuates properly and returns to the "OFF" position when released.

⚠ CAUTION: Switch can be locked in "ON" position for ease of operator comfort during extended use. Apply caution when locking tool in "ON" position and maintain firm grasp on tool.

► Fig. 1: 1. Switch trigger 2. Lock button

To start the tool, simply pull the switch trigger. Tool speed is increased by increasing pressure on the switch trigger. Release the switch trigger to stop.

For continuous operation, pull the switch trigger, push in the lock button and then release the switch trigger. To stop the tool from the locked position, pull the switch trigger fully, then release it.

Lighting up the front lamp

For HR1841F

► Fig. 2: 1. Switch trigger 2. Lamp

⚠ CAUTION: Do not look in the light or see the source of light directly.

To turn on the lamp, pull the switch trigger. Release the switch trigger to turn it off.

NOTICE: Do not use thinner or gasoline to clean the lamp. Such solvents may damage it.

NOTE: Use a dry cloth to wipe the dirt off the lens of the lamp. Be careful not to scratch the lens of lamp, or it may lower the illumination.

Reversing switch action

⚠ CAUTION: Always check the direction of rotation before operation.

NOTICE: Use the reversing switch only after the tool comes to a complete stop. Changing the direction of rotation before the tool stops may damage the tool.

NOTICE: When changing the direction of rotation, be sure to fully set the reversing switch to position ◁ (A side) or ▷ (B side). Otherwise, when the switch trigger is pulled, the motor may not rotate or the tool may not work properly.

► Fig.3: 1. Reversing switch lever


This tool has a reversing switch to change the direction of rotation. Move the reversing switch lever to the position ◁ (A side) for clockwise rotation or to the position ▷ (B side) for counterclockwise rotation.

Selecting the action mode

NOTICE: Do not rotate the action mode changing knob when the tool is running. The tool will be damaged.


NOTICE: To avoid rapid wear on the mode change mechanism, be sure that the action mode changing knob is always positively located in one of the action mode positions.

Rotation with hammering

For drilling in concrete, masonry, etc., rotate the action mode changing knob to the  symbol. Use a carbide-tipped drill bit.

► Fig.4: 1. Action mode changing knob

Rotation only

For drilling in wood, metal or plastic materials, rotate the action mode changing knob to the  symbol. Use a twist drill bit or wood drill bit.

► Fig.5: 1. Action mode changing knob

Torque limiter

NOTICE: As soon as the torque limiter actuates, switch off the tool immediately. This will help prevent premature wear of the tool.

NOTICE: Drill bits such as hole saw, which tend to pinch or catch easily in the hole, are not appropriate for this tool. This is because they will cause the torque limiter to actuate too frequently.

The torque limiter will actuate when a certain torque level is reached. The motor will disengage from the output shaft. When this happens, the drill bit will stop turning.

ASSEMBLY

CAUTION: Always be sure that the tool is switched off and unplugged before carrying out any work on the tool.

Side grip (auxiliary handle)

CAUTION: Always use the side grip to ensure safe operation.

CAUTION: After installing or adjusting the side grip, make sure that the side grip is firmly secured.

Install the side grip so that the grooves on the grip fit in the protrusions on the tool barrel. Turn the grip clockwise to secure it. The grip can be fixed at desired angle.

► Fig.6: 1. Side grip

Grease

Coat the shank end of the drill bit beforehand with a small amount of grease (about 0.5 - 1 g). This chuck lubrication assures smooth action and longer service life.

Installing or removing drill bit

Clean the shank end of the drill bit and apply grease before installing the drill bit.

► Fig.7: 1. Shank end 2. Grease

Insert the drill bit into the tool. Turn the drill bit and push it in until it engages.

After installing the drill bit, always make sure that the drill bit is securely held in place by trying to pull it out.

► Fig.8: 1. Drill bit

To remove the drill bit, pull the chuck cover down all the way and pull the drill bit out.

► Fig.9: 1. Drill bit 2. Chuck cover

Depth gauge

The depth gauge is convenient for drilling holes of uniform depth. Loosen the side grip and insert the depth gauge into the hole on the side grip. Adjust the depth gauge to the desired depth and tighten the side grip firmly.

► Fig.10: 1. Hole 2. Depth gauge

NOTE: Make sure that the depth gauge does not touch the main body of the tool when attaching it.

Dust cup

Optional accessory

Use the dust cup to prevent dust from falling over the tool and on yourself when performing overhead drilling operations. Attach the dust cup to the bit as shown in the figure. The size of bits which the dust cup can be attached to is as follows.

Model	Bit diameter
Dust cup 5	6 mm - 14.5 mm
Dust cup 9	12 mm - 16 mm

► Fig.11: 1. Dust cup

Dust cup set

Optional accessory

Installing the dust cup set

NOTICE: If you purchase the dust cup set as optional accessory, the standard side grip cannot be used with the dust cup set being installed on the tool. When the dust cup set is installed on the tool, remove the grip from the standard side grip, and then attach it to the optional grip base set.

► Fig.12: 1. Bolt 2. Grip 3. Optional grip base set

NOTICE: Do not use the dust cup set when drilling in metal or similar. It may damage the dust cup set due to the heat produced by small metal dust or similar. Do not install or remove the dust cup set with the drill bit installed in the tool. It may damage the dust cup set and cause dust leak.

Before installing the dust cup set, remove the bit from the tool if installed.

1. Install the spacer so that the grooves on the spacer fit in the protrusions on the tool barrel while widening it. Be careful for the spring not to come off from the slit of spacer.

► Fig.13: 1. Spacer 2. Spring

► Fig.14

2. Install the side grip (optional grip base set and the grip removed from standard side grip) so that the groove on the grip fit in the protrusion on the spacer. Turn the grip clockwise to secure it.

► Fig.15: 1. Side grip

3. Install the dust cup set so that the claws of the dust cup fit in the slits on the spacer.

► Fig.16: 1. Dust cup 2. Claws

NOTE: If you connect a vacuum cleaner to the dust cup set, remove the dust cap before connecting it.

► Fig.17: 1. Dust cap

Removing the drill bit

To remove the drill bit, pull the chuck cover down all the way and pull the drill bit out.

► Fig.18: 1. Bit 2. Chuck cover

Removing the dust cup set

To remove the dust cup set, follow the steps below.

1. Loosen the side grip.

► Fig.19: 1. Side grip

2. Hold the root of dust cup and pull it out.

► Fig.20: 1. Dust cup

NOTE: If it is difficult to remove the dust cup set, remove the claws of the dust cup one by one by swinging and pulling the root of the dust cup.

NOTE: If the cap comes off from the dust cup, attach it with its printed side facing up so that groove on the cap fits in the inside periphery of the attachment.

► Fig.21

OPERATION


CAUTION: Always use the side grip (auxiliary handle) and firmly hold the tool by both side grip and switch handle during operations.

CAUTION: Always make sure that the workpiece is secured before operation.

► Fig.22

Hammer drilling operation

CAUTION: There is tremendous and sudden twisting force exerted on the tool/drill bit at the time of hole break-through, when the hole becomes clogged with chips and particles, or when striking reinforcing rods embedded in the concrete. **Always use the side grip (auxiliary handle) and firmly hold the tool by both side grip and switch handle during operations.** Failure to do so may result in the loss of control of the tool and potentially severe injury.

Set the action mode changing knob to the  symbol. Position the drill bit at the desired location for the hole, then pull the switch trigger. Do not force the tool. Light pressure gives best results. Keep the tool in position and prevent it from slipping away from the hole.

Do not apply more pressure when the hole becomes clogged with chips or particles. Instead, run the tool at an idle, then remove the drill bit partially from the hole. By repeating this several times, the hole will be cleaned out and normal drilling may be resumed.

NOTE: Eccentricity in the drill bit rotation may occur while operating the tool with no load. The tool automatically centers itself during operation. This does not affect the drilling precision.

Drilling in wood or metal

CAUTION: Hold the tool firmly and exert care when the drill bit begins to break through the workpiece. There is a tremendous force exerted on the tool/drill bit at the time of hole break through.


CAUTION: A stuck drill bit can be removed simply by setting the reversing switch to reverse rotation in order to back out. However, the tool may back out abruptly if you do not hold it firmly.

CAUTION: Always secure workpieces in a vise or similar hold-down device.

NOTICE: Never use "rotation with hammering" when the drill chuck is installed on the tool. The drill chuck may be damaged.

Also, the drill chuck will come off when reversing the tool.

NOTICE: Pressing excessively on the tool will not speed up the drilling. In fact, this excessive pressure will only serve to damage the tip of your drill bit, decrease the tool performance and shorten the service life of the tool.

Set the action mode changing knob to the  symbol. Attach the chuck adapter to a keyless drill chuck to which 1/2"-20 size screw can be installed, and then install them to the tool. When installing it, refer to the section "Installing or removing drill bit".

► **Fig.23:** 1. Keyless drill chuck 2. Chuck adapter

Blow-out bulb

Optional accessory

After drilling the hole, use the blow-out bulb to clean the dust out of the hole.

► **Fig.24**

Using dust cup set

Optional accessory

Fit the dust cup set against the ceiling when operating the tool.

► **Fig.25**

NOTICE: Do not use the dust cup set when drilling in metal or similar. It may damage the dust cup set due to the heat produced by small metal dust or similar.

NOTICE: Do not install or remove the dust cup set with the drill bit installed in the tool. It may damage the dust cup set and cause dust leak.

MAINTENANCE

CAUTION: Always be sure that the tool is switched off and the battery cartridge is removed before attempting to perform inspection or maintenance.

NOTICE: Never use gasoline, benzine, thinner, alcohol or the like. Discoloration, deformation or cracks may result.

To maintain product SAFETY and RELIABILITY, repairs, any other maintenance or adjustment should be performed by Makita Authorized or Factory Service Centers, always using Makita replacement parts.

OPTIONAL ACCESSORIES

CAUTION: These accessories or attachments are recommended for use with your Makita tool specified in this manual. The use of any other accessories or attachments might present a risk of injury to persons. Only use accessory or attachment for its stated purpose.

If you need any assistance for more details regarding these accessories, ask your local Makita Service Center.

- Carbide-tipped drill bits (SDS-Plus carbide-tipped bits)
- Core bit
- Diamond core bit
- Chuck adapter

- Keyless drill chuck
- Bit grease
- Depth gauge
- Blow-out bulb
- Dust cup
- Dust cup set
- Grip base set
- Safety goggles
- Plastic carrying case

NOTE: Some items in the list may be included in the tool package as standard accessories. They may differ from country to country.

DANE TECHNICZNE

Model:		HR1840	HR1841F
Zakresy wiercenia	Beton	18 mm	
	Wiertło koronowe	35 mm	
	Diamantowe wiertło koronowe (suche)	65 mm	
	Stal	13 mm	
	Drewno	24 mm	
Prędkość bez obciążenia		0 – 2 100 min ⁻¹	
Liczba uderzeń na minutę		0 – 4 800 min ⁻¹	
Długość całkowita		285 mm	
Masa netto		2,0 – 2,4 kg	2,0 – 2,5 kg
Klasa bezpieczeństwa		II/II	

- W związku ze stałe prowadzonym przez naszą firmę programem badawczo-rozwojowym niniejsze dane mogą ulec zmianom bez wcześniejszego powiadomienia.
- Dane techniczne mogą różnić się w zależności od kraju.
- Wysokość może być różna w zależności od osprzętu. W tabeli została przedstawiona najlżejsza i najcięższa konfiguracja zgodnie z procedurą EPTA 01/2014.

Przeznaczenie

Narzędzie jest przeznaczone do wiercenia udarowego w cegle, betonie i kamieniu.

Nadaje się również do wiercenia w drewnie, metalu, ceramice i tworzywach sztucznych bez użycia udaru.

Zasilanie

Narzędzie wolno podłączać tylko do źródeł zasilania o napięciu zgodnym z napięciem podanym na tabliczce znamionowej. Można je zasilać wyłącznie jednofazowym prądem przemiennym. Narzędzie ma podwójną izolację, dlatego też można je zasilać z gniazda elektrycznego bez uziemienia.

Hałas

Typowy równoważny poziom dźwięku A określony w oparciu o normę EN60745:

Model HR1840

Poziom ciśnienia akustycznego (L_{pA}): 87 dB(A)

Poziom mocy akustycznej (L_{WA}): 98 dB (A)

Niepewność (K): 3 dB(A)

Model HR1841F

Poziom ciśnienia akustycznego (L_{pA}): 87 dB(A)

Poziom mocy akustycznej (L_{WA}): 98 dB (A)

Niepewność (K): 3 dB(A)

⚠ OSTRZEŻENIE: Nosić ochronniki słuchu.

Drgania

Całkowita wartość poziomu drgań (suma wektorów w 3 osiach) określona zgodnie z normą EN60745:

Model HR1840

Tryb pracy: wiercenie udarowe w betonie

Emisja drgań ($a_{h,HD}$): 10,0 m/s²

Niepewność (K): 1,5 m/s²

Tryb pracy: wiercenie w metalu

Emisja drgań ($a_{h,D}$): 3,0 m/s²

Niepewność (K): 1,5 m/s²

Model HR1841F

Tryb pracy: wiercenie udarowe w betonie

Emisja drgań ($a_{h,HD}$): 7,5 m/s²

Niepewność (K): 1,5 m/s²

Tryb pracy: wiercenie w metalu

Emisja drgań ($a_{h,D}$): 3,0 m/s²

Niepewność (K): 1,5 m/s²

WSKAZÓWKA: Deklarowana wartość wytwarzanych drgań została zmierzona zgodnie ze standardową metodą testową i można ją wykorzystać do porównywania narzędzi.

WSKAZÓWKA: Deklarowaną wartość wytwarzanych drgań można także wykorzystać we wstępnej ocenie narażenia.

⚠ OSTRZEŻENIE: Drgania wytwarzane podczas rzeczywistego użytkowania elektronarzędzia mogą się różnić od wartości deklarowanej, w zależności od sposobu jego użytkowania.

⚠ OSTRZEŻENIE: W oparciu o szacowane narażenie w rzeczywistych warunkach użytkowania należy określić środki bezpieczeństwa w celu ochrony operatora (uwzględniając wszystkie elementy cyklu działania, tj. czas, kiedy narzędzie jest wyłączone i kiedy pracuje na biegu jałowym, a także czas, kiedy jest włączone).

Deklaracja zgodności WE

Dotyczy tylko krajów europejskich

Deklaracja zgodności WE jest dołączona jako załącznik A do niniejszej instrukcji obsługi.

OSTRZEŻENIA DOTYCZĄCE BEZPIECZEŃSTWA

Ogólne zasady bezpiecznej eksploatacji elektronarzędzi

⚠️ OSTRZEŻENIE: Należy zapoznać się z ostrzeżeniami dotyczącymi bezpieczeństwa, instrukcjami, ilustracjami i danymi technicznymi dołączonymi do tego elektronarzędzia. Niezastosowanie się do podanych poniżej instrukcji może prowadzić do porażenia prądem, pożaru i/lub poważnych obrażeń ciała.

Wszystkie ostrzeżenia i instrukcje należy zachować do wykorzystania w przyszłości.

Pojęcie „elektronarzędzie”, występujące w wymienionych tu ostrzeżeniach, odnosi się do elektronarzędzia zasilanego z sieci elektrycznej (z przewodem zasilającym) lub do elektronarzędzia akumulatorowego (bez przewodu zasilającego).

OSTRZEŻENIE DOTYCZĄCE BEZPIECZEŃSTWA DLA WIERTARKI UDAROWEJ

1. **Nosić ochronniki słuchu.** Hałas może spowodować utratę słuchu.
2. **Używać narzędzia z uchwytami pomocniczymi, jeśli zostały dostarczone wraz z nim.** Utrata kontroli może spowodować obrażenia ciała.
3. **Trzymać elektronarzędzie za izolowane powierzchnie rękojeści podczas wykonywania prac, przy których osprzęt może dotknąć niewidocznej instalacji elektrycznej.** Zetknięcie osprzętu z przewodem elektrycznym znajdującym się pod napięciem może spowodować, że odsłonięte elementy metalowe elektronarzędzia również znajdują się pod napięciem, grożąc porażeniem operatora prądem elektrycznym.
4. **Nosić kask (hełm ochronny), okulary ochronne oraz/lub osłonę twarzy.** Zwykłe okulary bądź okulary przeciwsłoneczne NIE są okularami ochronnymi. Stanowczo zaleca się również noszenie maski przeciwpyłowej oraz grubych rękawic.
5. **Przed uruchomieniem narzędzia należy się upewnić, czy wiertło jest dobrze zamocowane.**
6. **W normalnych warunkach pracy narzędzie wytwarza drgania.** W związku z tym śruby mogą łatwo ulec poluzowaniu, doprowadzając do awarii lub wypadku. Przed uruchomieniem narzędzia należy skontrolować, czy śruby są dobrze dokręcone.
7. **W przypadku niskiej temperatury lub gdy narzędzie nie było używane przez dłuższy czas, należy najpierw je rozgrzać, uruchamiając na chwilę bez obciążenia.** W ten sposób gęstość smaru ulegnie zmniejszeniu. Bez właściwego rozgrzania narzędzia działanie funkcji udaru jest utrudnione.
8. **Podczas pracy należy zadbać o dobre oparcie dla nóg.** W przypadku pracy na pewnej wysokości upewnić się, że na dole nie przebywają żadne osoby.

9. **Narzędzie należy trzymać mocno oburącz.**
10. **Trzymać ręce z dala od części ruchomych.**
11. **Nie pozostawiać włączonego narzędzia.** Narzędzie można uruchomić tylko, gdy jest trzymane w rękach.
12. **Podczas pracy nie wolno kierować narzędzia w stronę osób znajdujących się w pobliżu.** Wiertło może wylecieć z uchwytu i poważnie kogoś zranić.
13. **Nie dotykać wiertła, części w pobliżu wiertła ani elementu obrabianego od razu po zakończeniu danej operacji;** mogą one być bardzo gorące i spowodować oparzenie skóry.
14. **Niektóre materiały zawierają substancje chemiczne, które mogą być toksyczne.** Unikaj wdychania pyłu i kontaktu ze skórą. Przechowaj narzędzia zgodnie z przepisami bezpieczeństwa podanych przez dostawcę materiałów.
15. **Nie dotykać wtyczki mokrymi rękoma.**

ZACHOWAĆ NINIEJSZE INSTRUKCJE.

⚠️ OSTRZEŻENIE: NIE WOLNO pozwolić, aby wygoda lub rutyna (nabyta w wyniku wielokrotnego używania urządzenia) zastąpiły ścisłe przestrzeganie zasad bezpieczeństwa obsługi. **NIEWŁAŚCIWE UŻYTKOWANIE** narzędzia lub niestosowanie się do zasad bezpieczeństwa podanych w niniejszej instrukcji obsługi może prowadzić do poważnych obrażeń ciała.

OPIS DZIAŁANIA

⚠️ PRZESTROGA: Przed rozpoczęciem regulacji lub sprawdzeniem działania narzędzia należy upewnić się, że jest ono wyłączone i nie podłączone do sieci.

Działanie przełącznika

⚠️ PRZESTROGA: Przed podłączeniem narzędzia do zasilania należy zawsze sprawdzić, czy spust przełącznika działa prawidłowo oraz czy wraca do położenia wyłączenia po zwolnieniu.

⚠️ PRZESTROGA: W celu ułatwienia obsługi i dla wygody operatora podczas długotrwałej pracy z użyciem narzędzia przełącznik można zablokować w pozycji włączonej. Podczas pracy z przełącznikiem zablokowanym w pozycji włączonej należy zachować ostrożność i pewnie trzymać narzędzie.

► Rys.1: 1. Spust przełącznika 2. Przycisk blokady

W celu uruchomienia narzędzia wystarczy pociągnąć spust przełącznika. Prędkość narzędzia zwiększa się wraz ze zwiększaniem nacisku na spust przełącznika. W celu wyłączenia wystarczy zwolnić spust przełącznika.

Aby włączyć tryb pracy ciągłej, należy pociągnąć spust przełącznika, wcisnąć przycisk blokady, a następnie zwolnić spust przełącznika. Aby zatrzymać narzędzie z włączoną blokadą, wystarczy pociągnąć do oporu spust przełącznika, a następnie zwolnić go.

Włączanie lampki czołowej

Dla modelu HR1841F

► **Rys.2:** 1. Spust przełącznika 2. Lampka

⚠ PRZESTROGA: Nie patrzeć na światło ani bezpośrednio na źródło światła.

Aby włączyć lampkę, należy pociągnąć za spust przełącznika. W celu wyłączenia należy zwolnić spust przełącznika.

UWAGA: Do czyszczenia lampki nie wolno używać rozcieńczalnika ani benzyny. Tego typu rozpuszczalniki mogą ją uszkodzić.

WSKAZÓWKA: Aby usunąć zabrudzenia z klosza lampki, należy użyć suchej szmatki. Uważać, aby nie zarysować klosza lampki, gdyż może to zmniejszyć natężenie oświetlenia.

Działanie przełącznika zmiany kierunku obrotów

⚠ PRZESTROGA: Przed przystąpieniem do pracy należy zawsze sprawdzić ustawiony kierunek obrotów.

UWAGA: Przełącznika zmiany kierunku obrotów można użyć tylko po całkowitym zatrzymaniu narzędzia. Zmiana kierunku obrotów przed zatrzymaniem się narzędzia grozi jego uszkodzeniem.

UWAGA: Przy zmianie kierunku obrotów należy upewnić się, że dźwignia przełącznika obrotów wstecznych jest dokładnie ustawiona w pozycji ◁ (strona A) lub ▷ (strona B). W innym przypadku, po naciśnięciu spustu przełącznika, silnik może nie wejść na obroty lub narzędzie może nie pracować prawidłowo.

► **Rys.3:** 1. Dźwignia przełącznika obrotów wstecznych


Omawiane narzędzie jest wyposażone w przełącznik umożliwiający zmianę kierunku obrotów. Przesunięcie dźwigni przełącznika obrotów wstecznych w położenie ◁ (położenie A) powoduje wybranie kierunku obrotów w prawą stronę, a w położenie ▷ (położenie B) powoduje wybranie kierunku obrotów w lewą stronę.

Wybór trybu pracy

UWAGA: Nie wolno przekreślać pokrętła zmiany trybu pracy, gdy narzędzie pracuje. Spowoduje to uszkodzenie narzędzia.


UWAGA: Aby uniknąć szybkiego zużywania się mechanizmu zmiany trybu pracy, pokrętło zmiany trybu pracy musi być zawsze ustawione dokładnie w jednym z położen trybu pracy.

Wiercenie udarowe

Aby wiercić w betonie, cegle itp., należy ustawić pokrętło zmiany trybu pracy w położeniu . Należy używać wiertła z końcówką widiową.

► **Rys.4:** 1. Pokrętło zmiany trybu pracy

Tylko wiercenie

Aby wiercić w drewnie, metalu lub tworzywach sztucznych, należy ustawić pokrętło zmiany trybu pracy w położeniu . Używać wiertła krętego lub wiertła do drewna.

► **Rys.5:** 1. Pokrętło zmiany trybu pracy

Ogranicznik momentu obrotowego

UWAGA: Kiedy zadziała ogranicznik momentu obrotowego, należy natychmiast wyłączyć narzędzie. Dzięki temu uniknie się przedwczesnego zużycia narzędzia.

UWAGA: Do opisywanego narzędzia nie nadają się takie wiertła, jak piły walcowe, które mają tendencję do zakleszczania lub blokowania się w otworze. Powodują one zbyt częste włączanie ogranicznika momentu obrotowego.

Ogranicznik momentu obrotowego zaczyna działać, gdy zostanie osiągnięta określona wartość momentu. W takiej sytuacji silnik zostaje odłączony od wałka napędu. To powoduje zatrzymanie obrotów wiertła.

MONTAŻ

⚠ PRZESTROGA: Przed wykonywaniem jakichkolwiek prac przy narzędziu należy upewnić się, że jest ono wyłączone i odłączone od zasilania.

Uchwyt boczny (rękojeść pomocnicza)

⚠ PRZESTROGA: Aby zapewnić bezpieczeństwo podczas pracy, należy zawsze korzystać z uchwytu bocznego.

⚠ PRZESTROGA: Po założeniu lub zmianie położenia uchwytu bocznego należy upewnić się, że uchwyt jest dobrze zamocowany.

Założyc uchwyt boczny w taki sposób, aby rowki znajdujące się na uchwycie weszły na występy w tulei narzędzia. Przykręcić uchwyt w prawo, aby go zamocować. Uchwyt można zamocować pod żądanym kątem.

► **Rys.6:** 1. Uchwyt boczny

Smarowanie

Posmarować najpierw koniec chwytu wiertła niewielką ilością smaru (ok. 0,5–1 g). Takie smarowanie chwytu zapewni prawidłowe i długotrwałe działanie.

Wkładanie i wyjmowanie wiertła

Wyczyścić koniec chwytu wiertła i posmarować smarem przed założeniem.

► **Rys.7:** 1. Koniec chwytu 2. Smar

Włożyć wiertło do narzędzia. Obrócić wiertło i wcisnąć je do momentu zamocowania.

Po włożeniu wiertła należy koniecznie upewnić się, że wiertło jest prawidłowo zamocowane, próbując je wyciągnąć.

► **Rys.8:** 1. Wiertło

Aby wyjąć wiertło, należy pociągnąć osłonę uchwytu w dół do oporu i wyciągnąć wiertło.

► **Rys.9:** 1. Wiertło 2. Osłona uchwytu

Ogranicznik głębokości

Ogranicznik głębokości służy do wiercenia otworów o jednakowej głębokości. Poluzować uchwyt boczny i umieścić ogranicznik głębokości w otworze w uchwycie bocznym. Ustawić ogranicznik głębokości na żądaną głębokość i dokręcić mocno uchwyt boczny.

► **Rys.10:** 1. Otwór 2. Ogranicznik głębokości

WSKAZÓWKA: Upewnić się, że ogranicznik głębokości nie dotyka korpusu narzędzia po zamocowaniu.

Osłona przeciwpylowa

Osprzęt dodatkowy

Osłony tej należy używać, aby podczas wiercenia w pozycji do góry, np. w suficie, pył nie spadał na narzędzie ani na osobę obsługującą. Osłonę należy zamocować na wiertle, jak okazano na rysunku. Wymiary wiertel, na których można zamocować tę osłonę zostały podane poniżej.

Model	Średnica wiertła
Osłona przeciwpylowa 5	6 – 14,5 mm
Osłona przeciwpylowa 9	12 – 16 mm

► **Rys.11:** 1. Osłona przeciwpylowa

Zestaw przeciwpylowy

Osprzęt dodatkowy

Montaż zestawu przeciwpylowego

UWAGA: Standardowego uchwytu bocznego nie można używać, jeśli jako opcjonalne wyposażenie zostanie zakupiony zestaw przeciwpylowy, który zostanie zamontowany na narzędziu. Gdy zestaw przeciwpylowy jest założony na narzędziu, należy zdjąć uchwyt ze standardowego uchwytu bocznego, a następnie przymocować go do opcjonalnego zestawu podstawy uchwytu.

► **Rys.12:** 1. Śruba 2. Uchwyt 3. Opcjonalny zestaw podstawy uchwytu

UWAGA: Nie używać narzędzia z zestawem przeciwpylowym podczas wiercenia w metalu ani innym podobnym materiale. Może spowodować to uszkodzenie zestawu przeciwpylowego ze względu na ciepło wytwarzane przez pył metalowy itp. Nie zakładać ani nie zdejmować zestawu przeciwpylowego, gdy w narzędziu jest zamocowane wiertło. Może to spowodować uszkodzenie zestawu przeciwpylowego i wydostawanie się pyłu.

Przed zamocowaniem zestawu przeciwpylowego należy wyjąć wiertło z narzędzia, o ile jest zamontowane.

1. Założyć element dystansowy w taki sposób, aby rowki na elemencie weszły na występy w tulei narzędzia podczas jej rozszerzania. Uważać, aby sprężyna nie wyskoczyła ze szczeliny w elemencie dystansowym.

► **Rys.13:** 1. Element dystansowy 2. Sprężyna

► **Rys.14**

2. Zamocować uchwyt boczny (opcjonalny zestaw podstawy uchwytu i uchwyt wymontowany ze standardowego uchwytu bocznego) w taki sposób, aby rowek na uchwycie wszedł na występ elementu dystansowego. Przykręcić uchwyt w prawo, aby go zamocować.

► **Rys.15:** 1. Uchwyt boczny

3. Zamontować zestaw przeciwpylowy w taki sposób, aby zaczepy osłony przeciwpylowej weszły w szczeliny w elemencie dystansowym.

► **Rys.16:** 1. Osłona przeciwpylowa 2. Zaczepy

WSKAZÓWKA: W przypadku podłączania do osłony przeciwpylowej odkurzacza, należy najpierw wyjąć zatyczkę.

► **Rys.17:** 1. Zatyczka

Demontaż wiertła

Aby wyjąć wiertło, należy pociągnąć osłonę uchwytu w dół do oporu i wyciągnąć wiertło.

► **Rys.18:** 1. Wiertło 2. Osłona uchwytu

Demontaż zestawu przeciwpylowego

Aby zdemontować zestaw przeciwpylowy, należy wykonać czynności opisane poniżej.

1. Poluzować uchwyt boczny.

► **Rys.19:** 1. Uchwyt boczny

2. Trzymać dolną część osłony przeciwpylowej i wyciągnąć ją.

► **Rys.20:** 1. Osłona przeciwpylowa

WSKAZÓWKA: Jeśli zdemontowanie zestawu przeciwpylowego jest trudne, należy wyjąć zaczepy zestawu przeciwpylowego jeden po drugim. W tym celu należy odchylić i pociągnąć dolną część osłony przeciwpylowej.

WSKAZÓWKA: Jeśli zatyczka wypadnie z osłony przeciwpylowej, należy zamocować ją stroną w nadrukiem w górę, tak aby rowek w zatyczce pasował do wewnętrznej strony nasadki.

► **Rys.21**

OBSŁUGA


▲PRZESTROGA: Zawsze używać uchwytu bocznego (rękojeści pomocniczej) i podczas pracy trzymać narzędzie mocno za uchwyt boczny i uchwyt z przełącznikiem.

▲PRZESTROGA: Przed rozpoczęciem pracy zawsze należy upewnić się, że materiał obrabiany jest dobrze zamocowany.

► Rys.22

Wiercenie udarowe

▲PRZESTROGA: W momencie przewiercania otworu na wylot, gdy otwór jest zapchany wiórami lub opiłkami bądź w przypadku uderzenia w pręty zbrojeniowe znajdujące się w betonie, na narzędzie/wiertło jest wywierana nagle olbrzymia siła skręcająca. **Zawsze używać uchwytu bocznego (rękojeści pomocniczej) i podczas pracy trzymać narzędzie mocno za uchwyt boczny i uchwyt z przełącznikiem.** Niestosowanie się do powyższych zasad może spowodować utratę kontroli nad narzędziem i poważne obrażenia.

Pokręto zmiany trybu pracy należy ustawić w położeniu .

Ustawić wiertło w wybranym miejscu, gdzie ma być wywierony otwór, a następnie pociągnąć za spust przełącznika. Lekki nacisk daje najlepsze wyniki. Trzymać narzędzie w ustalonej pozycji, uważając, aby wiertło nie wypadło z otworu.

Nie zwiększać nacisku, gdy otwór zapcha się wiórami, opiłkami lub gruzem. Zamiast tego należy pozwolić, aby narzędzie pracowało przez chwilę bez obciążenia, a następnie wyciągnąć wiertło częściowo z otworu. Po kilkukrotnym powtórzeniu tej procedury otwór zostanie oczyszczony i będzie można wznowić wiercenie w normalny sposób.

WSKAZÓWKA: Podczas pracy narzędzia bez obciążenia może wystąpić bicie wiertła. Narzędzie automatycznie eliminuje bicie podczas pracy. Nie ma to wpływu na dokładność wiercenia.

Wiercenie otworów w drewnie lub metalu


▲PRZESTROGA: Gdy wiertło zaczyna przebijać na wylot otwór w obrabianym elemencie, należy zachować ostrożność i mocno trzymać narzędzie. W momencie przebijania otworu na narzędzie/wiertło wywierana jest olbrzymia siła.

▲PRZESTROGA: Zakleszczone wiertło można łatwo wyjąć, zmieniając kierunek obrotów i wyciągając wiertło. Należy jednak pamiętać, że narzędzie może się gwałtownie cofnąć, jeśli nie będzie mocno trzymane.

▲PRZESTROGA: Elementy obrabiane należy zawsze mocować w imadle lub podobnym uchwycie.

UWAGA: Nie wolno używać trybu „wiercenia udarowego”, gdy w narzędziu jest założony uchwyt wiertarski. Może to spowodować uszkodzenie uchwytu. Ponadto uchwyt wiertarski odkręci się po włączeniu obrotów wstecznych.

UWAGA: Wywieranie nadmiernego nacisku na narzędzie nie przyspiesza wiercenia. W praktyce, wywieranie nadmiernego nacisku przyczynia się jedynie do uszkodzenia końcówki wiertła, zmniejszenia wydajności i skrócenia okresu eksploatacyjnego narzędzia.

Pokręto zmiany trybu pracy należy ustawić w położeniu .

Zamocować adapter uchwytu w uchwycie wiertarskim bezkluczowym z gwintem 1/2"-20, a następnie zamocować uchwyt w narzędziu. Szczegóły dotyczące zakładania uchwytu, patrz punkt „Wkładanie i wyjmowanie wiertła”.

► Rys.23: 1. Uchwyt wiertarski bezkluczowy
2. Adapter uchwytu

Gruszka do przedmuchiwania

Osprzęt dodatkowy

Po wywierceniu otworu można użyć gruszki do przedmuchiwania, aby oczyścić otwór z pyłu.

► Rys.24

Użytkowanie zestawu przeciwpyłowego

Osprzęt dodatkowy

Przyłożyć zestaw przeciwpyłowy do sufitu podczas używania narzędzia.

► Rys.25

UWAGA: Nie używać narzędzia z zestawem przeciwpyłowym podczas wiercenia w metalu ani innym podobnym materiale. Może spowodować to uszkodzenie zestawu przeciwpyłowego ze względu na ciepło wytwarzane przez pył metalowy itp.

UWAGA: Nie zakładać ani nie zdejmować zestawu przeciwpyłowego, gdy w narzędziu jest zamocowane wiertło. Może to spowodować uszkodzenie zestawu przeciwpyłowego i wydostawanie się pyłu.

KONSERWACJA

▲PRZESTROGA: Przed przystąpieniem do przeglądu narzędzia lub jego konserwacji upewnić się, że jest ono wyłączone, a akumulator wyjęty.

UWAGA: Nie stosować benzyny, rozpuszczalników, alkoholu itp. środków. Mogą one powodować odbarwienia, odkształcenia lub pęknięcia.

W celu zachowania odpowiedniego poziomu BEZPIECZEŃSTWA i NIEZAWODNOŚCI produktu wszelkie naprawy i różnego rodzaju prace konserwacyjne lub regulacje powinny być przeprowadzane przez autoryzowany lub fabryczny punkt serwisowy narzędzi Makita, zawsze z użyciem oryginalnych części zamiennych Makita.

AKCESORIA OPCJONALNE

⚠ PRZESTROGA: Zaleca się stosowanie wymienionych akcesoriów i przystawek razem z narzędziem Makita opisanym w niniejszej instrukcji.

Stosowanie innych akcesoriów lub przystawek może być przyczyną obrażeń ciała. Akcesoria lub przystawki należy wykorzystywać tylko zgodnie z ich przeznaczeniem.

W razie potrzeby wszelkiej pomocy i szczegółowych informacji na temat niniejszych akcesoriów udziela Państwu lokalne punkty serwisowe Makita.

- Wiertła z końcówką widiową (wiertła SDS-Plus z końcówką widiową)
- Wiertło koronowe
- Diamentowe wiertło koronowe
- Adapter uchwytu
- Uchwyt wiertarski bezkluczkowy
- Smar do wiertel
- Ogranicznik głębokości
- Gruszka do przedmuchiwania
- Osłona przeciwpyłowa
- Zestaw przeciwpyłowy
- Zestaw podstawy uchwytu
- Gogle ochronne
- Walizka z tworzywa sztucznego

WSKAZÓWKA: Niektóre pozycje znajdujące się na liście mogą być dołączone do pakietu narzędziowego jako akcesoria standardowe. Mogą to być różne pozycje, w zależności od kraju.

RÉSZLETES LEÍRÁS

Típus:		HR1840	HR1841F
Teljesítmény	Beton	18 mm	
	Magfúró	35 mm	
	Gyémánt magfúró (száraz típus)	65 mm	
	Acél	13 mm	
	Fa	24 mm	
Üresjárat fordulatszám		0 – 2 100 min ⁻¹	
Lökésszám percenként		0 – 4 800 min ⁻¹	
Teljes hossz		285 mm	
Nettó tömeg		2,0 – 2,4 kg	2,0 – 2,5 kg
Biztonsági osztály		II	

- Folyamatos kutató- és fejlesztőprogramunk eredményeként az itt felsorolt tulajdonságok figyelmeztetés nélkül megváltozhatnak.
- A tulajdonságok országról országra különbözhetnek.
- A súly a felszerelt tartozék(ok)tól függően változhat. Az EPTA 01/2014 eljárás szerint meghatározott legnehezebb, illetve legkönnyebb kombináció a táblázatban látható.

Rendeltetés

A szerszám téglá, beton és kő ütvefűrésze és fűrésze használható.

Emellett ütés nélküli fűrésze fa, fém, kerámia és műanyag esetében.

Tápfeszültség

A szerszámot kizárólag olyan egyfázisú, váltóáramú hálózatra szabad kötni, amelyek feszültsége megegyezik az adattábláján szereplő feszültséggel. A szerszám kettős szigetelésű, ezért földelővezeték nélküli aljzatról is működtethető.

Jaj

A tipikus A-súlyozású zajszint, az EN60745 szerint meghatározva:

HR1840 típus

Hangnyomásszint (L_{pA}): 87 dB(A)
 Hangteljesítményszint (L_{WA}): 98 dB (A)
 Bizonytalanság (K): 3 dB(A)

HR1841F típus

Hangnyomásszint (L_{pA}): 87 dB(A)
 Hangteljesítményszint (L_{WA}): 98 dB (A)
 Bizonytalanság (K): 3 dB(A)

FIGYELMEZTETÉS: Viseljen fülvédőt!

Vibráció

A vibráció teljes értéke (háromtengelyű vektorösszeg) az EN60745 szerint meghatározva:

HR1840 típus

Üzem mód: ütvefűrés betonba
 Rezgés kibocsátás ($a_{h,HD}$): 10,0 m/s²
 Bizonytalanság (K): 1,5 m/s²

Üzem mód: fűrés fémbe

Rezgés kibocsátás ($a_{h,D}$): 3,0 m/s²
 Bizonytalanság (K): 1,5 m/s²

HR1841F típus

Üzem mód: ütvefűrés betonba
 Rezgés kibocsátás ($a_{h,HD}$): 7,5 m/s²
 Bizonytalanság (K): 1,5 m/s²
 Üzem mód: fűrés fémbe
 Rezgés kibocsátás ($a_{h,D}$): 3,0 m/s²
 Bizonytalanság (K): 1,5 m/s²

MEGJEGYZÉS: A rezgés kibocsátás értéke a szabványos vizsgálati eljárásnak megfelelően lett mérve, és segítségével az elektromos kéziszerszámok összehasonlíthatók egymással.

MEGJEGYZÉS: A rezgés kibocsátás értékének segítségével előzetesen megbecsülhető a rezgésnek való kitettség mértéke.

FIGYELMEZTETÉS: A szerszám rezgés kibocsátása egy adott alkalmazásnál eltérhet a megadott értéktől a használat módjától függően.

FIGYELMEZTETÉS: Határozza meg a kezelő védelmét szolgáló munkavédelmi lépéseket, melyek az adott munkafeltételek melletti vibrációs hatás becslült mértékén alapulnak (figyelembe véve a munkaciklus elemeit, mint például a gép leállításának és üresjáratának mennyiségét az elindítások száma mellett).

EK Megfelelőségi nyilatkozat

Csak európai országokra vonatkozóan

Az EK-megfelelőségi nyilatkozat az útmutató „A” mellékletében található.

BIZTONSÁGI FIGYELMEZTETÉS

A szerszámgépekre vonatkozó általános biztonsági figyelmeztetések

▲ FIGYELMEZTETÉS: Olvassa el a szerszámgéphez mellékelte összes biztonsági figyelmeztetést, utasítást, illusztrációt és a műszaki adatokat. A következőkben leírt utasítások figyelmen kívül hagyása elektromos áramütést, tüzet és/vagy súlyos sérülést eredményezhet.

Őrizzen meg minden figyelmeztetést és utasítást a későbbi tájékozódás érdekében.

A figyelmeztetéseken szereplő "szerszámgép" kifejezés az Ön hálózatról (vezetékes) vagy akkumulátorról (vezeték nélküli) működtetett szerszámgépére vonatkozik.

A FŰRÓKALAPÁCSRA VONATKOZÓ BIZTONSÁGI FIGYELMEZTETÉSEK

1. **Viseljen fülvédőt.** A zajterhelés halláskárosodást okozhat.
2. **Használja a szerszámhoz mellékelte kiegészítő fogantyúkat.** Az irányítás elvesztése személyi sérülést okozhat.
3. **A szerszámot a szigetelő fogófelületeinél fogja olyan műveletek végzésekor, amikor fennáll a veszélye, hogy a vágóeszköz rejtett vezetékkel vagy a szerszám tápkábelével érintkezhet.** Áram alatt lévő vezetékkel való érintkezéskor a szerszám fém alkatrészei is áram alá kerülhetnek, és megrázhathatják a kezelőt.
4. **Viseljen védősisakot, védőszemüveget és/vagy arcvédőt.** A normál szemüvegek és a napszemüvegek NEM védőszemüvegek. Emellett különösen javasolt porvédő maszk és vastag kesztyű használata is.
5. **A használat megkezdése előtt ellenőrizze, hogy a vésőszerszám rögzítve van-e.**
6. **A szerszám úgy lett tervezve, hogy normál működés során rezegésbe jöjjön. A csavarok könnyen meglazulhatnak, meghibásodást vagy balesetet okozva. A használat előtt gondosan ellenőrizze a csavarok szorosságát.**
7. **Hideg időben, vagy ha hosszabb ideig nem használta, terhelés nélkül működtetve hagyja, hogy a szerszám bemelegedjen. Ezáltal felenged a kenőanyag. Megfelelő bemelegítés nélkül a vésési művelet nehézkes.**
8. **Mindig stabil helyzetben dolgozzon. A szerszám magasban történő használatkor győződjön meg arról, hogy nem tartózkodik-e valaki odalent.**
9. **Szilárdan tartsa a szerszámot mindkét kezével.**
10. **Tartsa távol a kezeit a mozgó alkatrészekről.**
11. **Ne hagyja a működő szerszámot felügyelet nélkül. Csak kézben tartva használja a szerszámot.**
12. **Ne fordítsa a szerszámot a munkaterületen tartózkodó személyek felé működés közben. A fűrőhegy kirepülhet, és valakit súlyosan megsebesíthet.**

13. **Ne érjen a fűrőhegyhez, az ahhoz közeli alkatrészekhez vagy a munkadarabhoz közvetlenül a munkavégzést követően; azok rendkívül forrók lehetnek és megégethetik a bőrt.**
14. **Egyes anyagok mérgező vegyületet tartalmazhatnak. Gondoskodjon a por belélegzése elleni és érintés elleni védelemről. Tartsa be az anyag szállítójának biztonsági utasításait.**
15. **Ne érjen vizes kézzel a hálózati csatlakozóhoz.**

ŐRIZZE MEG EZEKET AZ UTASÍTÁSOKAT.

▲ FIGYELMEZTETÉS: NE HAGYJA, hogy (a termék többszöri használatából eredő) kényelem és megszokás váltsa fel a termék biztonsági előírásainak szigorú betartását. A **HELYTELEN HASZNÁLAT** és a használati útmutatóban szereplő biztonsági előírások megszegése súlyos személyi sérülésekhez vezethet.

A MŰKÖDÉS LEÍRÁSA

▲ VIGYÁZAT: Mielőtt ellenőrzi vagy beállítja, mindig bizonyosodjon meg róla, hogy a szerszámot kikapcsolta és a hálózatról lecsatlakoztatta.

A kapcsoló használata

▲ VIGYÁZAT: A szerszám hálózatra csatlakoztatása előtt mindig ellenőrizze hogy a kapcsológomb megfelelően mozog és visszatér a kikapcsolt (OFF) állapotba elengedése után.

▲ VIGYÁZAT: Huzamosabb használatkor a kapcsoló a kezelő munkájának megkönnyítése érdekében a bekapcsolt (ON) pozícióban rögzíthető. Legyen elővigyázatos a szerszám bekapcsolt (ON) pozícióba rögzítésekor, és szilárdan fogja meg a szerszámot.

► **Ábra1:** 1. Kapcsológomb 2. Reteszlógomb

A szerszám bekapcsolásához húzza meg a kapcsológombot. Ha erősebben nyomja a kapcsológombot, a szerszám fordulatszám növekszik. A megállításhoz engedje el a kapcsológombot.

A folyamatos működéshez húzza meg a kapcsológombot, nyomja be a reteszlógombot, majd engedje el a kapcsológombot. A szerszám rögzítésének kioldásához teljesen húzza meg, majd engedje el a kapcsológombot.

Az előlő lámpa bekapcsolása

HR1841F esetén

► **Ábra2:** 1. Kapcsológomb 2. Lámpa

▲ VIGYÁZAT: Ne tekintsen a fénybe vagy ne nézze egyenesen a fényforrást.

A lámpa bekapcsolásához húzza meg a kapcsológombot. A kikapcsolásához engedje el a kapcsológombot.

MEGJEGYZÉS: Ne használjon hígítót vagy benzint a lámpa tisztításához. Az ilyen oldószerek károsíthatják azt.

MEGJEGYZÉS: Száraz ruhadarabbal törölje le a szennyeződést a lámpa lencséről. Ügyeljen arra hogy ne karcolja meg a lámpa lencsét, ez csökkentheti a megvilágítás erősségét.

Forgásirányváltó kapcsolókar működése

⚠ VIGYÁZAT: Használat előtt mindig ellenőrizze a beállított forgásirányt.

MEGJEGYZÉS: A forgásirányváltó kapcsolókat csak azután használja, hogy a szerszám teljesen megállt. A forgásirány megváltoztatása a szerszám leállása előtt a gép károsodását okozhatja.

MEGJEGYZÉS: Forgásirányváltáskor mindig állítsa a forgásirányváltó kapcsolót teljesen ◀ (A oldal) vagy ▶ (B oldal) állásba. Ellenkező esetben a kapcsológomb meghúzásakor előfordulhat, hogy a motor nem forog, vagy a szerszám nem működik megfelelően.

▶ **Ábra3:** 1. Forgásirányváltó kapcsolókar


Ez a szerszám forgásirányváltó kapcsolóval van felszerelve a forgásirány megváltoztatásához. Mozdassa az forgásirányváltó kapcsolókat a ◀ pozícióba (A oldal) az óramutató járásával megegyező vagy a ▶ pozícióba (B oldal) az azzal ellentétes irányú forgáshoz.

A működési mód kiválasztása

MEGJEGYZÉS: Ne fordítsa el a működési mód váltó gombot, ha a szerszám működik. A szerszám károsodna.


MEGJEGYZÉS: A működési mód váltó mechanizmus gyors kopásának elkerülése érdekében ügyeljen arra, hogy a működési mód váltó gomb mindig teljesen a működési módnak megfelelő pozíciók egyikében legyen.

Ütvefúrás

Beton, fal stb. fúrásakor forgassa a működési mód váltó gombot a  jelöléshez. Használjon karbidvégű fűrőhegyet.

▶ **Ábra4:** 1. Működési mód váltó gomb

Csak fúrás

Fa, fém vagy műanyag fúrásához forgassa a működési mód váltó gombot a  jelöléshez. Csigafűrő fűrőhegyet vagy fafűrő fűrőhegyet használjon.

▶ **Ábra5:** 1. Működési mód váltó gomb

Nyomatékhataroló

MEGJEGYZÉS: Amint a nyomatékhataroló bekapcsol, azonnal kapcsolja ki a szerszámot. Ez segít a szerszám idő előtti elhasználódásának megelőzésében.

MEGJEGYZÉS: Az olyan fűrőhegyek, mint például a lyukfűrész, amely hajlamos megszorulni, nem használhatók ehhez a szerszámhoz. Ennek oka az, hogy az ilyen szárák a nyomatékhatarólót túl gyakran hozzák működésbe.

A nyomatékhataroló akkor lép működésbe, amikor a szerszám elér egy bizonyos nyomatékszintet. A motor lekapcsolódik a kimenőtengelyről. Ha ez megtörténik, a fűrőhegy forgása megáll.

ÖSSZESZERELÉS

⚠ VIGYÁZAT: Mielőtt bármilyen munkát végezne rajta, mindig bizonyosodjon meg arról hogy a szerszámot kikapcsolta és a hálózatról lecsatlakoztatta.

Oldalmarkolat (kisegítő fogantyú)

⚠ VIGYÁZAT: Mindig használja az oldalmarkolatot a biztonságos használat érdekében.

⚠ VIGYÁZAT: Az oldalmarkolat felszerelése vagy igazítása után mindig ellenőrizze, hogy az elem megfelelően rögzült-e.

Az oldalmarkolatot úgy szerelje fel, hogy a markolaton lévő barázdák beilleszkedjenek a szerszám orsónyakán található kiemelkedések közé. Fordítsa el a markolatot az óra járásával egyező irányba a rögzítéséhez. A markolat a kívánt szögben rögzíthető.

▶ **Ábra6:** 1. Oldalmarkolat

Kenőzsír

Használat előtt kenjen kis mennyiségű zsírt a fűrőhegy tokmány felőli végére (kb. 0,5–1 g-ot). A tokmány ilyen kenése akadálymentes működést és hosszabb élettartamot biztosít.

A fűrőhegy behelyezése és eltávolítása

Behelyezés előtt tisztítsa meg a fűrőhegy tokmány felőli oldalát, majd vigyen fel rá zsírt.

▶ **Ábra7:** 1. Tokmány felőli oldal 2. Kenőzsír

Helyezze a fűrőhegyet a tokmányba. Forgassa el a fűrőhegyet, majd rögzülésig nyomja be. A behelyezés után próbálja kihúzni a fűrőhegyet annak ellenőrzésére, hogy biztosan rögzítve van-e.

▶ **Ábra8:** 1. Fűrőhegy

A fűrőhegy eltávolításához húzza le teljesen a tokmány fedelét, és húzza ki a fűrőhegyet.

▶ **Ábra9:** 1. Fűrőhegy 2. Tokmányfedél

Mélységmérce

A mélységbeállító pálca segítségével egyforma mély-ségű furatok készíthetők. Lazítsa meg az oldalmarkolatot, és tegye a mélységmérőt az oldalmarkolaton található furatba. Állítsa be a mélységmérőt a kívánt mélységre, majd húzza meg az oldalmarkolatot.

► **Ábra10:** 1. Furat 2. Mélységmérce

MEGJEGYZÉS: A mélységmérő rögzítésekor győződjön meg róla, hogy a mélységmérő nem ér hozzá a géptesthez.

Porfogó

Opcionális kiegészítők

Használja a porfogót annak megelőzésére, hogy a por a fúróra vagy Önre hulljon, amikor a feje fölött végez munkát. Csatlakoztassa a porfogót a hegyhez az ábrán látható módon. A szerszámok mérete, amelyekhez a porfogó csatlakoztatható, a következő.

Típus	Betét átmérője
Porfogó 5	6 mm – 14,5 mm
Porfogó 9	12 mm – 16 mm

► **Ábra11:** 1. Porfogó

Porfogókészlet

Opcionális kiegészítők

A porfogó készlet felszerelése

MEGJEGYZÉS: Amennyiben a porfogókészletet opcionális tartozékként vásárolja meg, a szabványos oldalmarkolat nem használható akkor, amikor a porfogókészlet fel van szerelve a szerszámmra. Ha a porfogókészlet fel van szerelve a szerszámmra, távolítsa el a markolatot a szabványos oldalmarkolatról, majd csatlakoztassa azt az opcionális markolat alaplemez készlethez.

► **Ábra12:** 1. Fejecsvavar 2. Markolat 3. Opcionális markolat alaplemez készlet

MEGJEGYZÉS: Ne használja a porfogókészletet, amikor fémeket vagy hasonló anyagot fúr. Az apró fém- vagy egyéb részecskék által termelt hő kárt tehet a porfogókészletben. Ne szerelje fel és ne távolítsa el a porfogókészletet akkor, amikor a fűrőhegy fel van szerelve a szerszámmra. Ezzel kárt tehet a porfogókészletben, és porszivárgást okozhat.

Ha az oldalmarkolat fel van szerelve a szerszámmra, távolítsa el azt a porfogókészlet felszerelése előtt.

1. A távtartót úgy szerelje fel, hogy a távtartón lévő barázdák beilleszkedjenek a szerszám orsónyakán található kiemelkedések közé, és kiszélesítsék azt. Ügyeljen arra, hogy a rugó ne essen ki a távtartó részéből.

► **Ábra13:** 1. Távtartó 2. Rugó

► **Ábra14**

2. Az oldalmarkolatot (opcionális markolat alaplemez készlet és a szabványos oldalmarkolatról eltávolított markolat) úgy szerelje fel, hogy a markolaton lévő barázdák a távtartón található kiemelkedések közé kerüljenek. Fordítsa el a markolatot az óra járásával egyező irányba a rögzítéséhez.

► **Ábra15:** 1. Oldalmarkolat

3. A porfogókészletet úgy szerelje fel, hogy a porfogón található karmok beilleszkedjenek a távtartón található résekbe.

► **Ábra16:** 1. Porfogó 2. Karmok

MEGJEGYZÉS: Ha porszivót szeretne csatlakoztatni a porfogókészlethez, csatlakoztatás előtt távolítsa el a porfogót.

► **Ábra17:** 1. Porfogó sapka

A fűrőfejt eltávolítása

A fűrőhegy eltávolításához húzza le teljesen a tokmány fedelét, és húzza ki a fűrőhegyet.

► **Ábra18:** 1. Betét 2. Tokmányfedél

A porfogó készlet eltávolítása

A porfogó készlet eltávolításához kövesse az alábbi lépéseket.

1. Lazítsa meg az oldalmarkolatot.

► **Ábra19:** 1. Oldalmarkolat

2. Fogja meg a porfogó alsó részét, és húzza ki.

► **Ábra20:** 1. Porfogó

MEGJEGYZÉS: Ha nehéz eltávolítani a porfogó készletet, távolítsa el egyenként a porfogó karmait, forgatva és húzva a porfogó alját.

MEGJEGYZÉS: Ha a sapka leesik a porfogóról, úgy szerelje vissza, hogy a nyomott fele nézzen felfelé, és a sapkán található barázdá illeszkedjen a tartozék széléhez.

► **Ábra21**

MŰKÖDTETÉS


▲ VIGYÁZAT: Mindig használja az oldalmarkolatot (kisegítő markolat), és tartsa erősen a szerszámot mind az oldalmarkolattal, mind a kapcsolós fogantyúval a munka során.

▲ VIGYÁZAT: A szerszám működtetése előtt mindig győződjön meg a munkaterület biztonságáról.

► **Ábra22**

Ütvefúrás mód

▲ VIGYÁZAT: Hatalmas és hirtelen érkező csavaróerő hat a szerszámmra/fűrőhegyre a furat áttörésének pillanatában, amikor a furat eltömődik forgáccsal és szemcsékkel, vagy amikor eltalálja a betonba ágyazott merevítőrudakat. **Mindig használja az oldalmarkolatot (kisegítő markolat), és tartsa erősen a szerszámot mind az oldalmarkolattal, mind a kapcsolós fogantyúval a munka során.** Ennek elmulasztása a szerszám feletti uralom elvesztését, és komoly személyi sérüléseket okozhat.

Állítsa a működési mód váltó gombot a  jelöléshez. Állítsa a fűrőhegyet a furat tervezett helyére, és húzza meg a kapcsológombot. Ne erőltesse a szerszámot. Az enyhe nyomás adja a legjobb eredményt. Tartsa a szerszámot a helyén, és akadályozza meg, hogy elcsússzon a furattól.

Ne fejtse ki nagyobb nyomást, ha a furat eltömődik forgáccsal és más részecskékkel. Ehelyett működtesse a szerszámot terhelés nélkül, és húzza ki kissé a fűrőhegyet a furatból. Ezt többször megismételve kitisztítja a furatot, és folytathatja a fúrást.

MEGJEGYZÉS: A fűrőhegy forgása szokatlan lehet, ha a szerszámot terhelés nélkül működteti. A szerszám automatikusan középontozza magát működés közben. Ez nem befolyásolja a fúrás pontosságát.

Fa vagy fém fúrása


⚠VIGYÁZAT: Erősen fogja a szerszámot, és legyen óvatos, amikor a fűrőhegy elkezdli áttörni a munkadarabot. Hatalmas erő hat a szerszámmra/ fűrőhegyre a furat áttörésének pillanatában.

⚠VIGYÁZAT: A beszorult fűrőhegyet egyszerűen el lehet távolítani a forgásirányváltó kapcsolókar ellentétes irányú forgásba kapcsolásával. Azonban a gép hirtelen visszafelé foroghat, ha nem tartja erősen.

⚠VIGYÁZAT: A munkadarabokat mindig rögzítse satuban, vagy más hasonló befogó eszközzel.

MEGJEGYZÉS: Soha ne használja az „ütvefúrás” funkciót úgy, hogy a fúrótokmány rajta van a szerszámon. Ettől a fúrótokmány sérülhet. Emellett a fúrótokmány kijön a helyéről, ha visszafelé forogtatja a szerszámot.

MEGJEGYZÉS: Ha túlságosan erősen nyomja a szerszámot, azzal nem gyorsítja meg a furat kifúrását. Valójában a fölöslegesen nagy nyomás csupán a fűrőhegy sérüléséhez, a szerszám teljesítményének csökkenéséhez vezet és lerövidíti a szerszám hasznos élettartamát.

Állítsa a működési mód váltó gombot a  jelöléshez. Csatlakoztassa a tokmányadaptert egy olyan kulcs nélküli fúrótokmányhoz, amelyre felszerelhető egy 1/2"-20-as méretű csavar, majd szerelje fel őket a szerszámmra. Felszereléskor olvassa el az „A fűrőhegy behelyezése és eltávolítása” című részt.

- **Ábra23:** 1. Kulcs nélküli fúrótokmány
2. Tokmányadapтер

Porkifújó pumpa

Opcionális kiegészítők

A furat kifúrása után a furatból egy olvadóbiztosítókkal fújja ki a port.

- **Ábra24**

A porfogókészlet használata

Opcionális kiegészítők

A szerszám használata közben illessze a porfogókészletet a mennyezethez.

- **Ábra25**

MEGJEGYZÉS: Ne használja a porfogókészletet, amikor fémet vagy hasonló anyagot fúr. Az apró fém- vagy egyéb részecskék által termelt hő kárt tehet a porfogókészletben.

MEGJEGYZÉS: Ne szerelje fel és ne távolítsa el a porfogókészletet akkor, amikor a fűrőhegy fel van szerelve a szerszámmra. Ezzel kárt tehet a porfogókészletben, és porszivárgást okozhat.

KARBANTARTÁS

⚠VIGYÁZAT: Minden esetben ellenőrizze, hogy a szerszám ki van kapcsolva és az akkumulátor eltávolításra került mielőtt átvizsgálja a szerszámot vagy annak karbantartását végzi.

MEGJEGYZÉS: Soha ne használjon gázolajt, benzint, hígítót, alkoholt vagy hasonló anyagokat. Ezek elszineződést, alakvesztést vagy repedést okozhatnak.

A termék BIZTONSÁGÁNAK és MEGBÍZHATÓSÁGÁNAK fenntartása érdekében a javításokat és más karbantartásokat vagy beállításokat a Makita hivatalos vagy gyári szervizközpontjában kell elvégezni, mindig csak Makita cserealkatrészeket használva.

OPCIONÁLIS KIEGÉSZÍTŐK

⚠VIGYÁZAT: Ezen kiegészítőket és tartozékokat javasoljuk a kézikönyvben ismertetett Makita szerszámmhoz. Bármilyen más kiegészítő vagy tartozék használata a személyi sérülés kockázatával jár. A kiegészítő vagy tartozékot csak rendeltetésszerűen használja.

Ha bármilyen segítségre vagy további információkra van szüksége ezekkel a tartozékokkal kapcsolatban, keresse fel a helyi Makita Szervizközpontot.

- Karbidvégű fűrőhegyek (SDS-Plus karbidvégű fűrőhegyek)
- Magfúró
- Gyémánt magfúró
- Tokmányadapтер
- Kulcs nélküli fúrótokmány
- Szerszámzsír
- Mélységmérő
- Olvadóbiztosíték
- Porfogó
- Porfogókészlet
- Markolat alapelem készlet
- Védőszemüveg
- Műanyag hordtáska

MEGJEGYZÉS: A listán felsorolt néhány kiegészítő megtalálható az eszköz csomagolásában standard kiegészítőként. Ezek országonként eltérőek lehetnek.

TECHNICKÉ ŠPECIFIKÁCIE

Model:		HR1840	HR1841F
Výkony	Betón	18 mm	
	Jadrová korunka	35 mm	
	Diamantová jadrová korunka (suchý typ)	65 mm	
	Oceľ	13 mm	
	Drevo	24 mm	
Otáčky naprázdno	0 – 2 100 min ⁻¹		
Úderov za minútu	0 – 4 800 min ⁻¹		
Celková dĺžka	285 mm		
Čistá hmotnosť	2,0 – 2,4 kg	2,0 – 2,5 kg	
Trieda bezpečnosti	□/II		

- Vzhľadom na neustály výskum a vývoj podliehajú technické údaje uvedené v tomto dokumente zmenám bez upozornenia.
- Technické údaje sa môžu pre rôzne krajiny líšiť.
- Hmotnosť sa môže meniť v závislosti od namontovaného príslušenstva. Najľahšia a najťažšia kombinácia v súlade s postupom EPTA 01/2014 je uvedená v tabuľke.

Určené použitie

Tento nástroj je určený na kladivové vŕtanie a vŕtanie do tehly, betónu a kameňa.

Je vhodný aj na bezpríkrepové vŕtanie do dreva, kovu, keramiky a plastu.

Napájanie

Nástroj sa môže pripojiť len k zodpovedajúcemu zdroju s napätím rovnakým, aké je uvedené na typovom štítku, a môže pracovať len s jednofázovým striedavým napätím. Nástroj je vybavený dvojitou izoláciou, a preto sa môže používať pri zapojení do zásuviek bez uzemňovacieho vodiča.

Hluk

Typická hladina akustického tlaku záťaže A určená podľa štandardu EN60745:

Model HR1840

Úroveň akustického tlaku (L_{pA}): 87 dB (A)

Úroveň akustického tlaku (L_{WA}): 98 dB (A)

Odchýlka (K): 3 dB (A)

Model HR1841F

Úroveň akustického tlaku (L_{pA}): 87 dB (A)

Úroveň akustického tlaku (L_{WA}): 98 dB (A)

Odchýlka (K): 3 dB (A)

VAROVANIE: Používajte ochranu sluchu.

Vibrácie

Celková hodnota vibrácií (trojosový vektorový súčet) určená podľa štandardu EN60745:

Model HR1840

Režim činnosti: kladivové vŕtanie do betónu

Emisie vibrácií ($a_{h,HD}$): 10,0 m/s²

Odchýlka (K): 1,5 m/s²

Režim činnosti: vŕtanie do kovu

Emisie vibrácií ($a_{h,HD}$): 3,0 m/s²

Odchýlka (K): 1,5 m/s²

Model HR1841F

Režim činnosti: kladivové vŕtanie do betónu

Emisie vibrácií ($a_{h,HD}$): 7,5 m/s²

Odchýlka (K): 1,5 m/s²

Režim činnosti: vŕtanie do kovu

Emisie vibrácií ($a_{h,HD}$): 3,0 m/s²

Odchýlka (K): 1,5 m/s²

POZNÁMKA: Deklarovaná hodnota emisií vibrácií bola meraná podľa štandardnej skúšobnej metódy a môže sa použiť na porovnanie jedného nástroja s druhým.

POZNÁMKA: Deklarovaná hodnota emisií vibrácií sa môže použiť aj na predbežné posúdenie vystavenia ich účinkom.

VAROVANIE: Emisie vibrácií počas skutočného používania elektrického nástroja sa môžu odlišovať od deklarovanej hodnoty emisií vibrácií, a to v závislosti od spôsobov používania náradia.

VAROVANIE: Nezabudnite označiť bezpečnostné opatrenia s cieľom chrániť obsluhu, a to tie, ktoré sa zakladajú na odhade vystavenia účinkom v rámci reálnych podmienok používania (berúc do úvahy všetky súčasti prevádzkového cyklu, ako sú doby, kedy je nástroj vypnutý a kedy beží bez záťaženia, ako dodatok k dobe zapnutia).

Vyhlasenie o zhode ES

Len pre krajiny Európy

Vyhlasenie o zhode ES sa nachádza v prílohe A tohto návodu na obsluhu.

BEZPEČNOSTNÉ VAROVANIA

Všeobecné bezpečnostné predpisy pre elektrické nástroje

VAROVANIE: Preštudujte si všetky bezpečnostné varovania, pokyny, vyobrazenia a technické špecifikácie určené pre tento elektrický nástroj. Pri nedodržaní všetkých nižšie uvedených pokynov môže dôjsť k úrazu elektrickým prúdom, požiaru alebo vážnemu zraneniu.

Všetky výstrahy a pokyny si odložte pre prípad potreby v budúcnosti.

Pojem „elektrický nástroj“ sa vo výstrahách vzťahuje na elektricky napájané elektrické nástroje (s káblom) alebo batériu napájané elektrické nástroje (bez kábla).

BEZPEČNOSTNÉ VAROVANIA PRE VŔTACIE KLADIVO

1. **Používajte chrániče sluchu.** Vystavenie účinkom hluku môže mať za následok stratu sluchu.
2. **Pokiaľ sa s náradím dodávajú prídavné rukoväte používajte ich.** Strata ovládania môže mať za následok poranenie.
3. **Elektrický nástroj pri práci držte za izolované úchopné povrchy,** pretože sa rezný prvok môže dostať do kontaktu so skrytými vodičmi alebo vlastným káblom. Rezné príslušenstvo, ktoré sa dostane do kontaktu s vodičom pod napätím, môže spôsobiť prechod elektrického prúdu kovovými časťami elektrického náradia a spôsobiť tak obsluhu zasiahnutie elektrickým prúdom.
4. **Používajte pevnú pokrývku hlavy (ochrannú prilbu), ochranné okuliare a/alebo ochranný štít na tvár.** Obyčajné dioptrické alebo slnečné okuliare NIE sú ochranné okuliare. Rovnako sa dôrazne odporúča používať protiprachovú masku a hrubé vystlané rukavice.
5. **Pred prácou overte, či je vrták zaistený na mieste.**
6. **Pri bežnej prevádzke nástroja dochádza k vibráciám.** Lahko môže dôjsť k uvoľneniu skrutiek a následnej poruche alebo nehode. Pred prácou dôkladne skontrolujte dotiahnutie skrutiek.
7. **V chladnom počasí alebo keď sa náradie dlhšiu dobu nepoužívalo, nechajte náradie chvíľu zahriať pri prevádzke bez záťaž.** Tým sa uvoľní mazivo. Bez správneho predhriatia bude práca s príklepom prebiehať ťažko.
8. **Vždy dbajte na pevný postoj.** Ak pracujete vo výškach, dbajte, aby pod vami nikto nebol.
9. **Držte náradie pevne oboma rukami.**
10. **Ruky držte mimo dosahu pohyblivých častí.**
11. **Nenechávajte nástroj v prevádzke bez dozoru.** Pracujte s ním, len keď ho držíte v rukách.
12. **Počas práce nemierte náradím na žiadnu osobu v blízkosti.** Vrták by sa mohol uvoľniť a niekoho vážne poraniť.
13. **Nedotýkajte sa vrtáka, častí v blízkosti vrtáka alebo obrobku bezprostredne po práci.** Môžu byť extrémne horúce a popáliť vás.

14. **Niektoré materiály obsahujú chemikálie, ktoré môžu byť jedovaté.** Dávajte pozor, aby ste ich nevdychovali ani sa ich nedotýkali. Prečítajte si bezpečnostné informácie dodávateľa materiálu.
15. **Zástrčky napájacieho kábla sa nedotýkajte mokrymi rukami.**

TIETO POKYNY USCHOVAJTE.

VAROVANIE: NIKDY nepripustíte, aby sebavedomie a dobrá znalosť výrobku (získané opakovaným používaním) nahradili presné dodržiavanie bezpečnostných pravidiel pre náradie. **NESPRÁVNE POUŽÍVANIE** alebo **nedodržiavanie bezpečnostných zásad uvedených v tomto návode** môže viesť k vážnemu zraneniu.

OPIS FUNKCIÍ

POZOR: Pred nastavovaním nástroja alebo kontrolou jeho funkcie sa vždy presvedčte, že je vypnutý a vytiahnutý zo zásuvky.

Zapínanie

POZOR: Pred pripojením nástroja do zásuvky vždy skontrolujte, či spúšťací spínač funguje správne a po uvoľnení sa vracia do vypnutej polohy.

POZOR: Operátor môže počas dlhšieho používania zablokovať spúšť v zapnutej polohe „ON“, čo mu uľahčí prácu. Pri blokovani náradia v zapnutej polohe „ON“ dávajte pozor a zachovajte pevné držanie náradia.

► Obr.1: 1. Spúšťací spínač 2. Tlačidlo odomknutia

Ak chcete nástroj spustiť, stačí stlačiť jeho spúšťací spínač. Rýchlosť nástroja sa zvyšuje zvyšovaním prítlaku na spúšťací spínač. Nástroj zastavíte uvoľnením spúšťacieho spínača.

Pokiaľ chcete pracovať nepretržite, potiahnite spúšťací spínač, stlačte tlačidlo zamknutia a následne uvoľnite spúšťací spínač. Nástroj z uzamknutej polohy odomknete úplným potiahnutím spúšťacieho spínača a jeho následným uvoľnením.

Zapnutie prednej lampy

Pre model HR1841F

► Obr.2: 1. Spúšťací spínač 2. Lampa

POZOR: Nedívajte sa priamo do svetla ani jeho zdroja.

Lampu zapnete stlačením spúšťacieho spínača. Lampu vypnete uvoľnením spúšťacieho spínača.

UPOZORNENIE: Na čistenie lampy nepoužívajte riedidlo ani benzín. Takéto rozpúšťadlá ju môžu poškodiť.

POZNÁMKA: Suchou tkaninou utrite znečistené šošovky lampy. Dávajte pozor, aby sa šošovky lampy nepoškriabali. Mohla by sa znížiť intenzita osvetlenia.

Činnosť prepínacej páčky smeru otáčania

⚠ POZOR: Pred začatím činnosti vždy skontrolujte smer otáčania.

UPOZORNENIE: Smer otáčania prepínajte až po úplnom zastavení nástroja. Pri zmene smeru otáčania pred úplným zastavením by sa mohol nástroj poškodiť.

UPOZORNENIE: Pri zmene smeru otáčania sa uistite, že prepínacia páčka smeru otáčania je úplne zatlačená v polohe ◀ (strana A) alebo ▶ (strana B). V opačnom prípade sa pri vytiahnutí spúšťacieho spínača motor nemusí otáčať alebo nástroj nemusí fungovať správne.

► **Obr.3:** 1. Prepínacia páčka smeru otáčania


Tento nástroj má prepínicu páčku smeru otáčania. Zatlačte prepínicu páčku smeru otáčania do polohy ◀ (strana A) na otáčanie v smere pohybu hodinových ručičiek alebo do polohy ▶ (strana B) na otáčanie proti smeru pohybu hodinových ručičiek.

Výber funkcie nástroja

UPOZORNENIE: Neotáčajte prepínačom na zmenu funkcie za chodu náradia pri zatažení. Môže to spôsobiť poškodenie náradia.


UPOZORNENIE: Nadmernému opotrebovaniu mechanizmu na zmenu funkcie predídete tým, že vždy nastavíte prepínač na zmenu funkcie presne na jednu z troch polôh pracovných režimov.

Vrtanie s priklepom

Pri vrtaní do betónu, muriva a pod. otočte prepínačom na zmenu funkcie na symbol . Použite vrták so spekaným karbidom.

► **Obr.4:** 1. Prepínač na zmenu funkcie

Len vrtanie

Pri vrtaní do dreva, kovu alebo plastových materiálov otočte prepínačom na zmenu funkcie na symbol . Použite vrták do železa alebo do dreva.

► **Obr.5:** 1. Prepínač na zmenu funkcie

Obmedzovač krútiaceho momentu

UPOZORNENIE: Len čo sa obmedzovač spustí, náradie ihneď vypnite. Zabráňte tým predčasnému opotrebovaniu náradia.

UPOZORNENIE: Vrtáky, ako napríklad korunka, ktoré často zvyknú uviaznuť alebo sa zachytiť v otvore, nie sú vhodné pre toto náradie. Pri ich používaní by sa obmedzovač aktivoval až príliš často.

Obmedzovač krútiaceho momentu preruší otáčanie vrtáka po dosiahnutí určitej hodnoty krútiaceho momentu. Preruší sa spojenie medzi motorom a vývodovým hriadeľom. Keď sa tak stane, vrták sa prestane otáčať.

ZOSTAVENIE

⚠ POZOR: Skôr než začnete na nástroji robiť akékoľvek práce, vždy sa predtým presvedčte, že je vypnutý a vytiahnutý zo zásuvky.

Bočná rukoväť (pomocná rukoväť)

⚠ POZOR: Na zaistenie bezpečnej prevádzky vždy používajte bočnú rukoväť.

⚠ POZOR: Po nasadení alebo úprave bočnej rukoväte skontrolujte, či je bočná rukoväť pevne zaistená.

Bočnú rukoväť namontujte tak, aby drážky na rukoväti zapadli medzi výčnelky na valci nástroja. Otočením rukoväti v smere hodinových ručičiek rukoväť zaistíte. Rukoväť možno upevniť pod požadovaným uhlom.

► **Obr.6:** 1. Bočná rukoväť

Mazivo

Na koncovku držiaka vrtáka naneste najprv malé množstvo maziva (približne 0,5 – 1 g).

Mazaním sa zabezpečí plynulý priebeh práce a dlhšia životnosť nástroja.

Montáž alebo demontáž vrtáka

Koncovku držiaka vrtáka očistite a pred nasadením vrtáka naneste mazivo.

► **Obr.7:** 1. Koncovka držiaka 2. Mazivo

Zasuňte vrták do nástroja. Otočte vrtákom a zatlačte ho dovnútra, kým nezapadne.

Po zasunutí vrtáka sa vždy uistite, že je vrták správne zaistený potiahnutím za vrták.

► **Obr.8:** 1. Vvrták

Pri vyberaní vrtáka kryt skľučovadla posuňte až na doraz smerom nadol a vrták vyberte.

► **Obr.9:** 1. Vvrták 2. Kryt skľučovadla

Hĺbkomer

Hĺbkomer je užitočný pri vrtaní otvorov rovnakej hĺbky. Povoľte bočnú rukoväť a zasuňte hĺbkomer do otvoru na nej. Nastavte hĺbkomer na požadovanú hĺbku a pevne utiahnite bočnú rukoväť.

► **Obr.10:** 1. Otvor 2. Hĺbkomer

POZNÁMKA: Dbajte na to, aby sa hĺbkomer pri pripájaní nedotýkal tela nástroja.

Prachový kryt

Voliteľné príslušenstvo

Prachový kryt slúži na zachytávanie prachu pri vrtaní v polohe nad hlavou. Nasadíte kryt na vrták, ako je to znázornené na obrázku. Rozmery vrtákov, na ktoré je možné prachový kryt nasadiť.

Model	Priemer vrtáku
Prachový kryt 5	6 mm – 14,5 mm
Prachový kryt 9	12 mm – 16 mm

► **Obr.11:** 1. Prachový kryt

Súprava prachových krytov

Voliteľné príslušenstvo

Montáž súpravy prachových krytov

UPOZORNENIE: Ak si zakúpite súpravu prachových krytov ako voliteľné príslušenstvo a nainštalujete ju na nástroj, nebudete môcť používať štandardnú bočnú rukoväť. Keď je na nástroji nainštalovaná súprava prachových krytov, odstráňte rukoväť zo štandardného umiestnenia bočnej rukoväti a nasadte ju na doplnkovú súpravu podložky rukoväti.

► Obr.12: 1. Skrutka 2. Rukoväť 3. Doplnková súprava podložky rukoväti

UPOZORNENIE: Súpravu prachového krytu nepoužívajte, ak vrtáte do kovu alebo podobného materiálu. Súpravu prachového krytu sa môže poškodiť teplom, ktoré vytvára malý kovový prach alebo podobné častice. Súpravu prachového krytu neinštalujte ani nedemontujte, keď je vrták nainštalovaný na nástroji. Súprava prachového krytu sa tým môže poškodiť a spôsobiť únik.

Pred nainštalovaním súpravy prachového krytu vyberte vrták z nástroja, ak je nainštalovaný.

1. Nainštalujte podložku tak, aby počas rozširovania zapadli drážky na podložke medzi výčnelky na valci nástroja. Dávajte pozor, aby zo štrbiny podložky nevyskočila pružina.

► Obr.13: 1. Rozpera 2. Pružina

► Obr.14

2. Bočnú rukoväť (doplnkovú súpravu podložky rukoväti a rukoväť odstránenú zo štandardného umiestnenia bočnej rukoväti) namontujte tak, aby drážka na rukoväti zapadla do výčnelku na rozpere. Rukoväť zaistite otčením v smere hodinových ručičiek.

► Obr.15: 1. Bočná rukoväť

3. Súpravu prachového krytu nainštalujte tak, aby zárezy na prachovom kryte zapadli do štrbín na podložke.

► Obr.16: 1. Prachový kryt 2. Zárezy

POZNÁMKA: Ak k súprave prachového filtra pripájate vysávač, pred jeho pripojením odstráňte prachový uzáver.

► Obr.17: 1. Prachový uzáver

Odstránenie vrtáka

Pri vyberaní vrtáka kryt skľučovadla posuňte až na doraz smerom nadol a vrták vyberte.

► Obr.18: 1. Vrták 2. Kryt skľučovadla

Demontáž súpravy prachových krytov

Ak chcete demontovať súpravu prachových krytov, postupujte podľa nižšie uvedeného postupu.

1. Uvoľnite bočnú rukoväť.

► Obr.19: 1. Bočná rukoväť

2. Držte spodnú časť prachového krytu a vyťahnite ho von.

► Obr.20: 1. Prachový kryt

POZNÁMKA: Ak sa súprava prachových krytov vyberá ťažko, odstráňte po jednom zárezy z prachového krytu kývaním a ťahaním spodnej strany prachového krytu.

POZNÁMKA: Ak sa odpojí uzáver od prachového filtra, pripojte ho tak, aby jeho potlačená strana smerovala nahor a drážka na uzávère zapadla do okraja nástavca.

► Obr.21

PREVÁDZKA


POZOR: Vždy používajte bočnú rukoväť (pomocnú rukoväť) a nástroj pri práci držte pevne za bočnú rukoväť aj spínaciu rúčku.

POZOR: Pred prácou si obrobok vždy pevne zaistite.

► Obr.22

Vrtanie s príklepom

POZOR: Pri dokončovaní priechodného otvoru môže dôjsť k náhlej reakcii náradia/vrtáku, keď sa otvor zanesie trieskami a úlomkami materiálu, alebo pri náraze na výstuž v betóne. **Vždy používajte bočnú rukoväť (pomocnú rukoväť) a nástroj pri práci držte pevne za bočnú rukoväť aj spínaciu rúčku.** V opačnom prípade by ste mohli stratiť nad náradím kontrolu a spôsobiť vážne poranenie.

Prepínač na zmenu funkcie nastavte na symbol . Vrták nastavte do požadovanej polohy pre hĺbku otvoru a stlačte spúšťači spínač. Nevývíjajte na nástroj veľký tlak. Menším tlakom dosiahnete vyššiu efektivitu práce. Držte nástroj presne v potrebnej polohe, aby vrták neskĺzol mimo vŕtaný otvor.

Nevývíjajte väčší tlak, keď sa otvor zanesie úlomkami materiálu. Namiesto toho nechajte nástroj pracovať voľne a trochu povytiahnite vrták z otvoru. Po niekoľkonásobnom zopakovaní tohto úkonu sa otvor vyčistí a môžete pokračovať vo vŕtaní.

POZNÁMKA: Na voľnoběžných otáčkach môže dôjsť k vyoseniu vrtáka. Počas prevádzky sa nástroj automaticky vycentruje. Toto vyosenie nemá vplyv na presnosť vŕtania.

Vrtanie do dreva alebo kovu


POZOR: Držte nástroj pevne a dávajte pozor, keď vrták začína prenikať do obrobku. V čase prerážania otvorom pôsobí na nástroj/vrták veľká sila.

POZOR: Uviaznutý vrták sa dá jednoducho uvoľniť prepnutím prepínača smeru otáčania do opačnej polohy. Pokiaľ však nástroj nedržíte pevne, môže nečakane vyskočiť.

POZOR: Obrobky vždy upínajte do zveráka či do podobného upevňovacieho zariadenia.

UPOZORNENIE: Nikdy nepoužívajte „prílepkové vrtanie“ pokiaľ je v náradí nasadené skľučovadlo. Mohlo by dôjsť k poškodeniu skľučovadla. Pri spätnom chode náradia by mohlo dôjsť aj k vysunutiu skľučovadla.

UPOZORNENIE: Nadmerným tlakom na nástroj vrtanie neurýchlite. V skutočnosti tento nadmerný tlak vedie len k poškodeniu hrotu vášho vrtáka, zníženiu účinnosti nástroja a skráteniu jeho životnosti.

Prepínač na zmenu funkcie nastavte na symbol . Adaptér skľučovadla pripojte k vrtákovému skľučovadlu bez kľúča, ku ktorému možno namontovať skrutku s veľkosťou 1/2"-20, a potom ich namontujte na nástroj. Pri jeho montáži si pozrite časť „Montáž alebo demonštrácia vrtáka“.

- **Obr.23:** 1. Vrtákové skľučovadlo bez kľúča
2. Adaptér skľučovadla

Ofukovací balónik

Voliteľné príslušenstvo

Ofukovací balónik slúži na vyčistenie vyvŕtaného otvoru od prachu.

- **Obr.24**

Používanie súpravy prachových krytov

Voliteľné príslušenstvo

Počas používania nástroja pripevnite súpravu prachových krytov k stropu.

- **Obr.25**

UPOZORNENIE: Ak vrtáte do kovu alebo podobného materiálu, súpravu prachových krytov nepoužívajte. Mohla by sa poškodiť v dôsledku tepla vygenerovaného malými kovovými prachovými alebo podobnými časticami.

UPOZORNENIE: Súpravu prachových krytov neinstalujte ani nedemontujte, keď je na nástroji nainštalovaný vrták. Mohol by poškodiť súpravu prachových krytov a spôsobiť únik.

ÚDRŽBA

POZOR: Pred vykonaním kontroly alebo údržby vždy skontrolujte, či je nástroj vypnutý a akumulátor je vybrať.

UPOZORNENIE: Nepoužívajte benzín, riedidlo, alkohol ani podobné látky. Mohlo by to spôsobiť zmenu farby, deformácie alebo praskliny.

Ak chcete udržať BEZPEČNOSŤ a BEZPORUCHOVOSŤ výrobu, prenechajte opravy, údržbu a nastavenie na autorizované alebo továrenské servisné centrá Makita, ktoré používajú len náhradné diely značky Makita.

VOLITEL'NÉ PRÍSLUŠENSTVO

POZOR: Pre váš nástroj Makita, opísaný v tomto návode, doporučujeme používať toto príslušenstvo a nástavce. Pri použití iného príslušenstva či nástavcov môže hroziť nebezpečenstvo zranenia osôb. Príslušenstvo a nástavce sa môžu používať len na účely pre ne stanovené.

Ak potrebujete bližšie informácie týkajúce sa tohoto príslušenstva, obráťte sa na vaše miestne servisné stredisko firmy Makita.

- Vrtáky so spekaným karbidom (vrtáky so spekaným karbidom SDS-Plus)
- Jadrová korunka
- Diamantová jadrová korunka
- Adaptér skľučovadla
- Vrtákové skľučovadlo bez kľúča
- Vazelína na upínacie stopky vrtákov
- Hĺbkomer
- Ofukovací balónik
- Prachový kryt
- Súprava prachových krytov
- Súprava podložky rukoväte
- Ochranné okuliare
- Plastový kufrík

POZNÁMKA: Niektoré položky zo zoznamu môžu byť súčasťou balenia nástrojov vo forme štandardného príslušenstva. Rozsah týchto položiek môže byť v každej krajine odlišný.

SPECIFIKACE

Model:		HR1840	HR1841F
Výkony	Beton	18 mm	18 mm
	Vrtná korunka	35 mm	
	Diamantová jádrová vrtná korunka (suchý typ)	65 mm	
	Ocel	13 mm	
	Dřevo	24 mm	
Otáčky bez zatížení		0 – 2 100 min ⁻¹	
Počet příklepů za minutu		0 – 4 800 min ⁻¹	
Celková délka		285 mm	285 mm
Čistá hmotnost		2,0 – 2,4 kg	2,0 – 2,5 kg
Třída bezpečnosti		II/II	

- Vzhledem k neustálému výzkumu a vývoji podléhají zde uvedené specifikace změnám bez upozornění.
- Specifikace se mohou pro různé země lišit.
- Hmotnost se může lišit v závislosti na příslušenství. Nejlehčí a nejtěžší kombinace, dle EPTA-Procedure 01/2014, jsou uvedeny v tabulce níže.

Účel použití

Nástroj je určen k příklepovému vrtání a běžnému vrtání do cihel, betonu a kamene.

Kromě toho je vhodný k bezpříklepovému vrtání do dřeva, kovů, keramických materiálů a plastů.

Napájení

Nářadí smí být připojeno pouze k napájení se stejným napětím, jaké je uvedeno na výrobním štítku, a může být provozováno pouze v jednofázovém napájecím okruhu se střídavým napětím. Nářadí je vybaveno dvojitou izolací a může být tedy připojeno i k zásuvkám bez zemního vodiče.

Hlučnost

Typická vážená hladina hluku (A) určená podle normy EN60745:

Model HR1840

Hladina akustického tlaku (L_{pA}): 87 dB(A)
 Hladina akustického výkonu (L_{WA}): 98 dB (A)
 Nejistota (K): 3 dB(A)

Model HR1841F

Hladina akustického tlaku (L_{pA}): 87 dB(A)
 Hladina akustického výkonu (L_{WA}): 98 dB (A)
 Nejistota (K): 3 dB(A)

VAROVÁNÍ: Používejte ochranu sluchu.

Vibrace

Celková hodnota vibrací (vektorový součet tří os) určená podle normy EN60745:

Model HR1840

Pracovní režim: příklepové vrtání do betonu
 Emise vibrací ($a_{h, HD}$): 10,0 m/s²
 Nejistota (K): 1,5 m/s²

Pracovní režim: vrtání do kovu

Emise vibrací ($a_{h, D}$): 3,0 m/s²

Nejistota (K): 1,5 m/s²

Model HR1841F

Pracovní režim: příklepové vrtání do betonu

Emise vibrací ($a_{h, HD}$): 7,5 m/s²

Nejistota (K): 1,5 m/s²

Pracovní režim: vrtání do kovu

Emise vibrací ($a_{h, D}$): 3,0 m/s²

Nejistota (K): 1,5 m/s²

POZNÁMKA: Hodnota deklarovaných emisí vibrací byla změřena standardní zkušební metodou a dá se použít k porovnání nářadí mezi sebou.

POZNÁMKA: Hodnotu deklarovaných emisí vibrací lze také použít k předběžnému posouzení míry expozice vibracím.

VAROVÁNÍ: Emise vibrací při používání elektrického nářadí ve skutečnosti se mohou od hodnoty deklarovaných emisí vibrací lišit v závislosti na způsobech použití nářadí.

VAROVÁNÍ: Nezapomeňte stanovit bezpečnostní opatření na ochranu obsluhy podle odhadu expozice ve skutečných podmínkách použití. (Vezměte přitom v úvahu všechny části provozního cyklu, tj. kromě doby zátěže například doby, kdy je nářadí vypnuté a kdy běží naprázdno.)

Prohlášení ES o shodě

Pouze pro evropské země

Prohlášení ES o shodě je obsaženo v Příloze A tohoto návodu k obsluze.

BEZPEČNOSTNÍ VÝSTRAHY

Obecná bezpečnostní upozornění k elektrickému nářadí

VAROVÁNÍ: Přečtete si všechny bezpečnostní výstrahy i pokyny a prohlédněte si ilustrace a specifikace dodané k tomuto elektrickému nářadí. Nedodržení všech níže uvedených pokynů může vést k úrazu elektrickým proudem, požáru či vážnému zranění.

Všechna upozornění a pokyny si uschovejte pro budoucí potřebu.

Pojem „elektrické nářadí“ v upozorněních označuje elektrické nářadí, které se zapojuje do elektrické sítě, nebo elektrické nářadí využívající akumulátory.

BEZPEČNOSTNÍ VÝSTRAHY K VRTACÍMU A SEKACÍMU KLADIVU

1. **Používejte ochranu sluchu.** Nadměrný hluk může způsobit ztrátu sluchu.
2. **Použijte pomocné držadlo (držadla), pokud je k nářadí dodáno.** Při ztrátě kontroly nad nářadím může dojít ke zranění.
3. **Při práci v místech, kde může dojít ke kontaktu řezacího příslušenství se skrytým elektrickým vedením nebo s vlastním napájecím kabelem, držte elektrické nářadí za izolované části držadel.** Řezací příslušenství může při kontaktu s vodičem pod napětím přenést proud do nechráněných částí nářadí a obsluha může utrpět úraz elektrickým proudem.
4. **Používejte tvrdou ochranu hlavy (bezpečnostní přilbu), ochranné brýle a/nebo obličejový štít.** Běžné dioptrické nebo sluneční brýle NEJSOU ochranné brýle. Velice se také doporučuje používat protiprachovou masku a silné polstrované rukavice.
5. **Před zahájením provozu se přesvědčte, zda je uchycen pracovní nástroj.**
6. **Při běžném provozu nástroj vytváří vibrace.** Šrouby se mohou snadno uvolnit a způsobit poruchu nebo nehodu. Před použitím pečlivě zkontrolujte utažení šroubů.
7. **Za studeného počasí nebo pokud nebyl nástroj delší dobu používán nechejte nástroj na chvíli zahřívát provozováním bez zatížení.** Tímto dojde k zahřátí maziva. Bez řádného zahřátí je použití funkce kladiva obtížné.
8. **Vždy zaujměte stabilní postoj.** Při práci s nářadím ve výškách dbejte, aby se pod vámi nepohybovaly žádné osoby.
9. **Držte nářadí pevně oběma rukama.**
10. **Udržujte ruce mimo pohyblivé díly.**
11. **Nenechávejte nářadí běžet bez dozoru.** S nářadím pracujte, jen když je držíte v ruce.
12. **Nemiřte nástrojem na žádnou osobu v místě provádění práce.** Pracovní nástroj se může uvolnit a způsobit vážné zranění.
13. **Bezprostředně po ukončení práce se nedotýkejte nástroje, dílů blízko nástroje ani obrobku;** mohou dosahovat velmi vysokých teplot a popálit pokožku.

14. **Některé materiály obsahují chemikálie, které mohou být jedovaté.** Dávejte pozor, abyste nevdechovali prach nebo nedocházelo ke kontaktu s kůží. Dodržujte bezpečnostní pokyny dodavatele materiálu.
15. **Nedotýkejte se zástrčky napájení mokryma rukama.**

TYTO POKYNY USCHOVEJTE.

VAROVÁNÍ: NEDOVOLTE, aby pohodlnost nebo pocit znalosti výrobku (získaný na základě předchozího použití) vedl k zanedbání dodržování bezpečnostních pravidel platných pro tento výrobek. **NESPRÁVNÉ POUŽÍVÁNÍ** či nedodržení bezpečnostních pravidel uvedených v tomto návodu k obsluze může způsobit vážné zranění.

POPIS FUNKCÍ

UPOZORNĚNÍ: Před nastavováním nářadí nebo kontrolou jeho funkce se vždy přesvědčte, že je vypnuté a vytažené ze zásuvky.

Používání spouště

UPOZORNĚNÍ: Před připojením nářadí do zásuvky vždy zkontrolujte, zda spoušť funguje správně a po uvolnění se vrací do vypnuté polohy.

UPOZORNĚNÍ: K zajištění pohodlí obsluhy při delším používání lze přepínač zajistit v zapnuté poloze. Při zajišťování nářadí v zapnuté poloze buďte opatrní a nářadí pevně držte.

► Obr.1: 1. Spoušť 2. Odjišťovací tlačítko

Chcete-li nářadí uvést do chodu, stačí stisknout spoušť. Otáčky nářadí se zvyšují zvyšováním tlaku na spoušť. Chcete-li nářadí vypnout, uvolníte spoušť.

Chcete-li pracovat v nepetržitém provozu, stiskněte spoušť, zamáčkněte zajišťovací tlačítko a potom spoušť uvolníte. Jestliže chcete nářadí v aretované poloze vypnout, stiskněte zcela spoušť a zase ji uvolníte.

Rozsvícení předního světla

Pro model HR1841F

► Obr.2: 1. Spoušť 2. Světlo

UPOZORNĚNÍ: Nedívejte přímo do světla nebo jeho zdroje.

Pracovní osvětlení se zapíná stisknutím spouště. Vypíná se uvolněním spouště.

POZOR: Při čištění světla nepoužívejte ředidlo ani benzín. Taková rozpouštědla mohou způsobit poškození.

POZNÁMKA: K očištění nečistot ze skla světla použijte suchý hadřík. Dbejte, abyste sklo světla nepoškrábali. Mohlo by dojít ke snížení svítivosti.

Přepínání směru otáčení

⚠ UPOZORNĚNÍ: Před zahájením provozu vždy zkontrolujte nastavený směr otáčení.

POZOR: Směr otáčení přepínejte až po úplném zastavení nářadí. Provedete-li změnu směru otáčení před zastavením nářadí, může dojít k jeho poškození.

POZOR: Při změně směru otáčení se ujistěte, že je přepínací páčka směru otáčení řádně nastavena do polohy ◁ (strana A) nebo ▷ (strana B). V opačném případě může dojít k tomu, že se při stisknutí spouště nebude motor otáčet nebo že nářadí nebude fungovat správně.

► **Obr.3:** 1. Přepínací páčka směru otáčení


Toto nářadí je vybaveno přepínačem směru otáčení. Přesunutím páčky přepínače směru otáčení do polohy ◁ (strana A) zapnete otáčení vpravo a přepnutí do polohy ▷ (strana B) otáčení vlevo.

Výběr provozního režimu

POZOR: Neotáčejte voličem provozního režimu, je-li nářadí spuštěné. Dojde k poškození nástroje.


POZOR: Dbejte, aby byl volič provozního režimu vždy spolehlivě přepnut do jedné z poloh provozních režimů – zamezíte tak rychlému opotřebení mechanismu přepínání režimů.

Otáčení s příklepem

Při vrtání do betonu, zdva a podobných materiálů otočte volič provozního režimu na symbol . Použijte vrták s karbidovým hrotem.

► **Obr.4:** 1. Volič provozního režimu

Pouze otáčení

Při vrtání do dřeva, kovu či plastů otočte voličem provozního režimu na symbol . Použijte vrták se šroubovicí nebo vrták do dřeva.

► **Obr.5:** 1. Volič provozního režimu

Omezovač točivého momentu

POZOR: Jakmile se aktivuje omezovač točivého momentu, vypněte okamžitě nástroj. Zamezíte tak předčasnému opotřebení nástroje.

POZOR: Pracovní nástroje jako vrtací korunky, jež se v otvorech snadno zaseknou či vzpříčí, jsou pro toto nářadí nevhodné. Důvodem je, že způsobují příliš časté aktivování omezovače točivého momentu.

Omezovač točivého momentu se aktivuje při dosažení určité úrovně točivého momentu. Motor se odpojí od výstupního hřídele. Dojde-li k této situaci, vrták se zastaví.

SESTAVENÍ

⚠ UPOZORNĚNÍ: Než začnete na nářadí provádět jakékoli práce, vždy se předtím přesvědčte, že je vypnuté a vytažené ze zásuvky.

Boční rukojeť (pomocné držadlo)

⚠ UPOZORNĚNÍ: Z důvodu bezpečnosti práce vždy používejte boční rukojeť.

⚠ UPOZORNĚNÍ: Po instalaci či nastavování boční rukojeti se ujistěte, že je boční rukojeť řádně upevněna.

Boční rukojeť nasadte tak, aby drážky na rukojeti zapadly do výstupků na válci nástroje. Abyste rukojeť zajistili, otáčejte jí ve směru hodinových ručiček. Rukojeť lze zajistit v požadovaném úhlu.

► **Obr.6:** 1. Boční rukojeť

Vazelína

Před použitím naneste na dřív vrtáku malé množství vazelíny (přibližně 0,5 – 1 g). Toto promazání sklíčidla zajišťuje hladký provoz a delší provozní životnost.

Nasazení nebo vyjmutí vrtáku

Před nasazením vrtáku očistěte dřív vrtáku a naneste na něj vazelínu.

► **Obr.7:** 1. Dřív 2. Vazelína

Zasuňte vrták do nástroje. Otáčejte vrtákem a tlače na něj, dokud se nezajistí na místě.

Po nasazení vrtáku se pokusem o vytažení vždy přesvědčte, zda je vrták bezpečně uchycen na svém místě.

► **Obr.8:** 1. Vrták

Chcete-li vrták vyjmout, stáhněte kryt sklíčidla úplně dolů a vrták vytáhněte.

► **Obr.9:** 1. Vrták 2. Kryt sklíčidla

Hloubkový doraz

Hloubkoměr využijete při vrtání otvorů stejné hloubky. Povolte boční rukojeť a zasuňte hloubkoměr do otvoru na boční rukojeti. Nastavte hloubkový doraz na požadovanou hloubku a pevně utáhněte boční rukojeť.

► **Obr.10:** 1. Otvor 2. Hloubkový doraz

POZNÁMKA: Ujistěte se, že se při nasazování hloubkoměru nedotýká těla nástroje.

Protiprachová krytka

Volitelné příslušenství

Protiprachová krytka slouží jako prevence spadu prachu na nástroj a pracovníka při vrtání nad hlavou. Protiprachovou krytku nasadte podle obrázku. Velikost pracovních nástrojů, u kterých lze použít protiprachovou krytku, je následující.

Model	Průměr nástroje
Protiprachová krytka 5	6 mm – 14,5 mm
Protiprachová krytka 9	12 mm – 16 mm

► **Obr.11:** 1. Protiprachová krytka

Sada protiprachových krytek

Volitelné příslušenství

Montáž sady protiprachových krytek

POZOR: Pořídíte-li si sadu protiprachových krytek jako volitelné příslušenství, nebude možné standardní boční rukojeť použít společně se sadou protiprachových krytek nasazených na nástroji. Je-li sada protiprachových krytek nasazena na nástroji, odstraňte rukojeť ze standardní boční rukojeti a potom ji připevňte k volitelné sestavě základny rukojeti.

► Obr.12: 1. Šroub 2. Rukojeť 3. Volitelná sestava základny rukojeti

POZOR: Sadu protiprachových krytek nepoužívejte při vrtání do kovu a podobných materiálů. Teplu vyprodukované drobným kovovým prachem či prachem podobných materiálů může sadu protiprachových krytek poškodit. Sadu protiprachových krytek nenasazujte na vrták ani nevytahuje z vrtáku, je-li vrták nasazen na nářadí. Pokud tak učiníte, hrozí poškození sady protiprachových krytek a únik prachu.

Před nasazením sady protiprachových krytek vyjměte z nářadí vrták, je-li nasazen.

1. Rozpěrku nasadte tak, aby drážky zapadly do výstupků na válci nástroje při rozšiřování. Dejte pozor, aby z drážky na rozpěrce nevypadla pružina.

► Obr.13: 1. Rozpěrka 2. Pružina

► Obr.14

2. Boční rukojeť (volitelnou sestavu základny rukojeti a rukojeť vyjmutou ze standardní boční rukojeti) nasadte tak, aby drážka na rukojeti zapadla do výstupku na rozpěrce. Abyste rukojeť zajistili, otáčejte ji ve směru hodinových ručiček.

► Obr.15: 1. Boční rukojeť

3. Nasadte sadu protiprachových krytek tak, aby háčky krytek zapadly do drážek na rozpěrce.

► Obr.16: 1. Protiprachová krytka 2. Háčky

POZNÁMKA: Připojujete-li sadu protiprachových krytek k vysavači, před připojením odstraňte protiprachový uzávěr.

► Obr.17: 1. Protiprachový uzávěr

Vyjmutí vrtáku

Chcete-li vrták vyjmout, stáhněte kryt sklíčidla úplně dolů a vrták vytáhněte.

► Obr.18: 1. Vrták 2. Kryt sklíčidla

Demontáž sady protiprachových krytek

Chcete-li demontovat sadu protiprachových krytek, postupujte dle kroků níže.

1. Povolte boční rukojeť.

► Obr.19: 1. Boční rukojeť

2. Chytněte protiprachovou krytku za spodní část a vytáhněte ji.

► Obr.20: 1. Protiprachová krytka

POZNÁMKA: Je-li obtížné demontovat sadu protiprachových krytek, odejměte zuby protiprachové krytky jeden po druhém tak, že budete kývat a tahat za základnu protiprachové krytky.

POZNÁMKA: Pokud vypadne uzávěr protiprachové krytky, nasadte jej potíštěnou stranou nahoru tak, aby drážka na uzávěru zapadla do vnitřního obvodu nástavce.

► Obr.21

PRÁCE S NÁŘADÍM


!UPOZORNĚNÍ: Při provádění práce vždy používejte boční rukojeť (pomocné držadlo) a nářadí pevně držte za boční rukojeť a rukojeť se spínačem.

!UPOZORNĚNÍ: Před zahájením práce se vždy ujistěte, že je obrobek uchycen.

► Obr.22

Režim přiklepového vrtání

!UPOZORNĚNÍ: V okamžiku, kdy vrták vniká do materiálu, působí na nářadí a na vrták obrovské a náhle krotivé síly, pokud dojde k ucpání otvoru třískami a částicemi nebo při nárazu do vyztužovacích tyčí umístěných v betonu. **Při provádění práce vždy používejte boční rukojeť (pomocné držadlo) a nářadí pevně držte za boční rukojeť a rukojeť se spínačem.** V opačném případě můžete nad nářadím ztratit kontrolu a mohlo by dojít k těžkému zranění.

Nastavte volič provozního režimu na symbol . Umístěte vrták na požadované místo vytvoření otvoru a stiskněte spoušť. Nepoužívejte při práci s nářadím nadměrnou sílu. Nejlepších výsledků dosáhnete mírným tlakem. Nářadí udržíte v dané poloze a zamezíte jeho vyklouznutí z otvoru.

Dojde-li k ucpání otvoru třískami nebo částicemi, nevývíjejte na nářadí větší tlak. Namísto toho nechte nářadí běžet v pomalých otáčkách a částečně povytáhněte vrták z otvoru. Budete-li tento postup několikrát opakovat, otvor se vyčistí a budete moci pokračovat v dalším vrtání.

POZNÁMKA: Při spuštění nástroje bez zatížení může při otáčení vrtáku vzniknout výstřednost. Nástroj se při práci automaticky vystředí. Tento stav neovlivňuje přesnost vrtání.

Vrtání do dřeva a kovu

⚠️ UPOZORNĚNÍ: Držte nářadí pevně a dávejte pozor, jakmile vrták začne pronikat do obrobku. V okamžiku, kdy nástroj/vrták proniká materiálem, působí na nářadí a vrták značné síly.


⚠️ UPOZORNĚNÍ: Uviznutý vrták lze jednoduše uvolnit přepnutím přepínače směru otáčení do opačné polohy. Pokud však nářadí neudržíte pevně, může nečekaně vyskočit.

⚠️ UPOZORNĚNÍ: Obrobky vždy upínejte do svěráku či do podobného upevňovacího zařízení.

POZOR: Nikdy nepoužívejte režim „otáčení s příklepem“, pokud je na nářadí nasazeno rychloupínací sklíčidlo. Rychloupínací sklíčidlo by se mohlo poškodit.

Při obrácení otáček se také rychloupínací sklíčidlo uvolní.

POZOR: Nadměrným tlakem na nářadí vrtání neurychlíte. Ve skutečnosti tento nadměrný tlak vede jen k poškození hrotu vrtáku, snížení účinnosti nářadí a zkrácení jeho životnosti.

Nastavte volič provozního režimu na symbol . Nasadte adaptér sklíčidla na bezklíčové sklíčidlo, do kterého lze instalovat šrouby velikosti 1/2"-20, a poté je nasadte do nástroje. Při nasazování postupujte podle pokynů v části „Nasazení nebo vyjmutí vrtáku“.

► **Obr.23:** 1. Bezklíčové sklíčidlo 2. Adaptér sklíčidla

Vyfukovací nástroj

Volitelné příslušenství

Po vyvrtání otvoru použijte k odstranění prachu z otvoru vyfukovací nástroj.

► **Obr.24**

Použití sady protiprachových krytek

Volitelné příslušenství

Při používání nástroje nasadte sadu protiprachových krytek proti stropu.

► **Obr.25**

POZOR: Sadu protiprachových krytek nepoužívejte při vrtání do kovu a podobných materiálů. Teplo vyprodukované drobným kovovým prachem či prachem podobných materiálů může sadu protiprachových krytek poškodit.

POZOR: Sadu protiprachových krytek nenasazujte na vrták ani nevytahujte z vrtáku, je-li vrták nasazen na nářadí. Pokud tak učiníte, hrozí poškození sady protiprachových krytek a únik prachu.

ÚDRŽBA

⚠️ UPOZORNĚNÍ: Před zahájením kontroly nebo údržby nářadí se vždy ujistěte, zda je vypnuté a je vyjmut akumulátor.

POZOR: Nikdy nepoužívejte benzín, benzen, ředidlo, alkohol či podobné prostředky. Mohlo by tak dojít ke změnám barvy, deformacím či vzniku prasklin.

K zachování BEZPEČNOSTI a SPOLEHLIVOSTI výrobku musí být opravy a veškerá další údržba či seřizování prováděny autorizovanými nebo továrními servisními středisky společnosti Makita s využitím náhradních dílů Makita.

VOLITELNÉ PŘÍSLUŠENSTVÍ

⚠️ UPOZORNĚNÍ: Pro nářadí Makita popsané v tomto návodu doporučujeme používat následující příslušenství a nástavce. Při použití jiného příslušenství či nástavců může hrozit nebezpečí zranění osob. Příslušenství lze používat pouze pro stanovené účely.

Potřebujete-li bližší informace ohledně tohoto příslušenství, obraťte se na místní servisní středisko společnosti Makita.

- Vrtáky s karbidovým hrotem (vrtáky s karbidovým hrotem SDS-Plus)
- Vrtná korunka
- Diamantová jádrová vrtná korunka
- Adaptér sklíčidla
- Bezklíčové sklíčidlo
- Vazelína na nástroj
- Hloubkoměr
- Vyfukovací nástroj
- Protiprachová krytka
- Sada protiprachových krytek
- Sestava základny rukojeti
- Ochranné brýle
- Plastový kufřík

POZNÁMKA: Některé položky seznamu mohou být k nářadí přibaleny jako standardní příslušenství. Přibalené příslušenství se může v různých zemích lišit.

ТЕХНІЧНІ ХАРАКТЕРИСТИКИ

Модель:		HR1840	HR1841F
Функціональні можливості	Бетон	18 мм	18 мм
	Колонкове свердло	35 мм	
	Свердло з алмазним осердям (сухе)	65 мм	
	Сталь	13 мм	
	Деревина	24 мм	
Швидкість у режимі холостого ходу		0 – 2 100 хв ⁻¹	
Ударів за хвилину		0 – 4 800 хв ⁻¹	
Загальна довжина		285 мм	285 мм
Маса нетто		2,0 – 2,4 кг	2,0 – 2,5 кг
Клас безпеки		□/□	

- Оскільки наша програма наукових досліджень і розробок триває безперервно, наведені тут технічні характеристики можуть бути змінені без попередження.
- У різних країнах технічні характеристики можуть бути різними.
- Вага може відрізнятися залежно від допоміжного обладнання. Найлегші та найважчі комплекти, відповідно до стандарту ЕРТА (Європейська асоціація виробників електроінструменту) від січня 2014 року, представлено в таблиці.

Призначення

Інструмент призначено для ударного свердління та свердління цегли, бетону й каміння.

Можна також застосовувати для неударного свердління деревини, металу, кераміки та пластмаси.

Джерело живлення

Інструмент можна підключати лише до джерела живлення, що має напругу, зазначену в таблиці із заводськими характеристиками, і він може працювати лише від однофазного джерела змінного струму. Він має подвійну ізоляцію, а отже може також підключатися до розеток без лінії заземлення.

Шум

Рівень шуму за шкалою А в типовому виконанні, визначений відповідно до стандарту EN60745:

Модель HR1840

Рівень звукового тиску (L_{pA}): 87 дБ (А)

Рівень звукової потужності (L_{WA}): 98 дБ (А)

Похибка (К): 3 дБ (А)

Модель HR1841F

Рівень звукового тиску (L_{pA}): 87 дБ (А)

Рівень звукової потужності (L_{WA}): 98 дБ (А)

Похибка (К): 3 дБ (А)

▲ ПОПЕРЕДЖЕННЯ: Користуйтеся засобами захисту органів слуху.

Вібрація

Загальна величина вібрації (векторна сума трьох напрямків) визначена згідно з EN60745:

Модель HR1840

Режим роботи: ударне свердління бетону

Розповсюдження вібрації ($a_{h,D}$): 10,0 м/с²

Похибка (К): 1,5 м/с²

Режим роботи: свердління металу

Вібрація ($a_{h,D}$): 3,0 м/с²

Похибка (К): 1,5 м/с²

Модель HR1841F

Режим роботи: ударне свердління бетону

Розповсюдження вібрації ($a_{h,D}$): 7,5 м/с²

Похибка (К): 1,5 м/с²

Режим роботи: свердління металу

Вібрація ($a_{h,D}$): 3,0 м/с²

Похибка (К): 1,5 м/с²

ПРИМІТКА: Заявлене значення вібрації було виміряно відповідно до стандартних методів тестування та може використовуватися для порівняння одного інструмента з іншим.

ПРИМІТКА: Заявлене значення вібрації може також використовуватися для попередньої оцінки впливу.

▲ ПОПЕРЕДЖЕННЯ: Залежно від умов використання вібрація під час фактичної роботи електроінструмента може відрізнятися від заявленого значення вібрації.

▲ ПОПЕРЕДЖЕННЯ: Забезпечте належні запобіжні заходи для захисту оператора, що відповідатимуть умовам використання інструмента (слід брати до уваги всі складові робочого циклу, такі як час, коли інструмент вимкнено та коли він починає працювати на холостому ході під час запуску).

Декларація про відповідність стандартам ЄС

Тільки для країн Європи

Декларацію про відповідність стандартам ЄС наведено в Додатку А до цієї інструкції з експлуатації.

ПОПЕРЕДЖЕННЯ ПРО ДОТРИМАННЯ ТЕХНІКИ БЕЗПЕКИ

Загальні застереження щодо техніки безпеки при роботі з електроінструментами

▲ ПОПЕРЕДЖЕННЯ: Уважно ознайомтеся з усіма попередженнями про дотримання правил техніки безпеки, інструкціями, ілюстраціями та технічними характеристиками, що стосуються цього електроінструмента. Невиконання будь-яких інструкцій, перелічених нижче, може призвести до ураження електричним струмом, пожежі та/або тяжких травм.

Збережіть усі інструкції з техніки безпеки та експлуатації на майбутнє.

Термін «електроінструмент», зазначений у інструкції з техніки безпеки, стосується електроінструмента, який функціонує від електромережі (електроінструмент з кабелем живлення), або електроінструмента з живленням від батареї (безпроводний електроінструмент).

ПОПЕРЕДЖЕННЯ ПРО НЕБЕЗПЕКУ ПІД ЧАС РОБОТИ З ПЕРФОРАТОРОМ

1. Користуйтеся засобами захисту органів слуху. Вплив шуму може призвести до втрати слуху.
2. Використовуйте допоміжну(і) ручку(и), якщо вона(и) поставляються разом з інструментом. Втрата контролю над інструментом може призвести до травмування.
3. Тримайте електроприлад за призначені для цього ізольовані поверхні під час виконання дії, за якої різальне приладдя може зачепити приховану електропроводку або власний шнур. Торкання різальним приладдям дроту під напругою може призвести до передавання напруги до оголених металевих частин інструмента та до ураження оператора електричним струмом.

4. Слід одягати каску (захисний шолом), захисні окуляри та (або) щиток-маску. Звичайні або сонцезахисні окуляри НЕ Є захисними. Настійно рекомендовано одягати пілозахисну маску та рукавиці з товстими підкладками.
5. Перед початком роботи обов'язково перевірте, щоб полотно було надійно закріплене в робочому положенні.
6. При нормальній роботі інструмент вібрує. Гвинти можуть швидко розбовтатися, що призведе до поломки або поранення. Перед початком роботи слід перевірити міцність затягування гвинтів.
7. Під час холодної погоди або якщо інструмент довго не використовувався, його слід розігріти, давши попрацювати якийсь час на холостому ході. Це розм'якшить мастило. Якщо не провести розігрів, працювати з інструментом буде важко.
8. Обов'язково забезпечте надійну опору. При виконанні робіт з інструментом на висоті переконайтеся, що внизу нікого немає.
9. Міцно тримайте інструмент обома руками.
10. Не наближайте руки до деталей, що рухаються.
11. Не залишайте без нагляду інструмент, який працює. Працюйте з інструментом, тільки тримаючи його в руках.
12. Під час роботи ніколи не спрямовуйте інструмент на людину, що перебуває поруч із місцем роботи. Свердло може вискочити та завдати серйозної травми.
13. Не слід торкатися свердла, частин, що примикають до нього, або робочої деталі одразу після використання інструмента: вони можуть бути дуже гарячими та призвести до опіку шкіри.
14. Деякі матеріали мають у своєму складі токсичні хімічні речовини. Будьте обережні, щоб не допустити вдихання пилу та його контакту зі шкірою. Дотримуйтеся правил техніки безпеки виробника матеріалу.
15. Заборонено торкатися штепселя мокрими руками.

ЗБЕРІГАЙТЕ ЦІ ВКАЗІВКИ.

▲ ПОПЕРЕДЖЕННЯ: НІКОЛИ НЕ втрачайте пильності та не розслабляйтеся під час користування виробом (що можливо при частому користуванні); обов'язково строго дотримуйтеся відповідних правил безпеки. **НЕНАЛЕЖНЕ ВИКОРИСТАННЯ** або недотримання правил техніки безпеки, викладених у цій інструкції з експлуатації, може призвести до серйозних травм.

ОПИС РОБОТИ

⚠ ОБЕРЕЖНО: Перед тим як регулювати або перевіряти функціональність інструмента, обов'язково переконайтеся, що інструмент вимкнено й від'єднано від електромережі.

Дія вимикача

⚠ ОБЕРЕЖНО: Перед тим як підключити інструмент до мережі, обов'язково переконайтеся, що курок вимикача належним чином спрацьовує та повертається в положення «ВИМК.», коли його відпускають.

⚠ ОБЕРЕЖНО: Вимикач можна заблокувати в положенні «увімкнено» для зручності оператора у разі тривалого використання. У разі блокування інструмента в положенні «увімкнено» необхідно бути особливо обережним та міцно тримати інструмент.

► Рис.1: 1. Курок вимикача 2. Кнопка блокування вимкненого положення

Щоб увімкнути інструмент, просто натисніть на курок вимикача. Швидкість інструмента зростає, якщо збільшити тиск на курок вимикача. Щоб зупинити роботу, відпустіть курок вимикача.

Для неперервної роботи натисніть на курок вимикача, потім натисніть кнопку блокування та відпустіть курок вимикача. Щоб зупинити інструмент із зафіксованим вимикачем, натисніть курок вимикача до кінця, а потім відпустіть його.

Увімкнення переднього підсвічування

Для HR1841F

► Рис.2: 1. Курок вимикача 2. Лампа

⚠ ОБЕРЕЖНО: Не дивіться на світло або безпосередньо на джерело світла.

Для того щоб увімкнути підсвічування, натисніть на курок вимикача. Щоб вимкнути, відпустіть курок вимикача.

УВАГА: Не можна використовувати розріджувач або бензин для чищення лампи підсвічування. Такі розчинники можуть її пошкодити.

ПРИМІТКА: Для очищення скла лампи підсвічування протріть її сухою тканиною. Будьте обережні, щоб не подряпати скло лампи підсвічування, тому що це погіршить освітлювання.

Робота перемикача реверсу

⚠ ОБЕРЕЖНО: Перед початком роботи обов'язково перевіряйте напрям обертання.

УВАГА: Перемикач реверсу можна використовувати тільки після повної зупинки інструмента. Зміна напрямку обертання до повної зупинки інструмента може призвести до його пошкодження.

УВАГА: У разі зміни напрямку обертання переконайтеся, що перемикач зворотного ходу повністю переведено в положення ◁ (сторона А) або ▷ (сторона В). Інакше, коли курок вимикача натиснуто, двигун не обертатиметься або інструмент не працюватиме належним чином.

► Рис.3: 1. Важіль перемикача реверсу


Цей інструмент обладнано перемикачем реверсу для зміни напрямку обертання. Для обертання за годинниковою стрілкою важіль перемикача реверсу слід пересунути в положення ◁ (сторона «А»), проти годинникової стрілки — в положення ▷ (сторона «В»).

Вибір режиму роботи

УВАГА: Забороняється повертати ручку зміни режиму роботи, коли інструмент працює. Інструмент може пошкодитись.


УВАГА: Для запобігання швидкому зносові механізму зміни режиму слід перевіряти, щоб ручка зміни режиму завжди була переключена в один із трьох режимів роботи.

Обертання з відбиванням

Для свердління в бетоні, кладці тощо поверніть ручку зміни режиму роботи, встановивши її на символ . Скористайтеся свердлом із твердосплавним наконечником.

► Рис.4: 1. Ручка зміни режиму роботи

Тільки обертання

Для свердління дерева, металу або пластмаси слід перемкнути ручку зміни режиму роботи на символ . Використовуйте спіральне свердло або свердло для деревини.

► Рис.5: 1. Ручка зміни режиму роботи

Обмежувач моменту

УВАГА: Відразу після спрацювання обмежувача моменту інструмент слід негайно вимикати. Це допоможе запобігти передчасному зносу інструмента.

УВАГА: Свердла, які легко защемляються або застрягають в отворі (наприклад, кільцева пила), не підходять для використання з цим інструментом. Це призведе до занадто частого спрацювання обмежувача моменту.

Обмежувач моменту спрацює, коли досягнуто момент певної величини. Двигун відключає зчеплення з вихідним валом. Коли це трапляється, свердло перестає обертатись.

ЗБОРКА

⚠ ОБЕРЕЖНО: Перед виконанням будь-яких робіт з інструментом обов'язково вимкніть його та відключіть від електромережі.

Бокова рукоятка (допоміжна ручка)

⚠ ОБЕРЕЖНО: Для забезпечення безпечної експлуатації обов'язково використовуйте бокову рукоятку.

⚠ ОБЕРЕЖНО: Після встановлення або регулювання бокової рукоятки слід переконатись, що вона надійно зафіксована.

Установіть бокову рукоятку так, щоб пази на рукоятці ввійшли в проміжки між виступами на корпусі інструмента. Поверніть рукоятку за часовою стрілкою, щоб зафіксувати її. Рукоятку можна зафіксувати під необхідним кутом.

► **Рис.6:** 1. Бокова рукоятка

Масило

Заздалегідь змастіть свердло невеликою кількістю мастила (приблизно 0,5—1 г).

Таке змащення патрона забезпечує гладку роботу а довший термін служби.

Установлення та зняття свердла

Очистіть свердло та нанесіть мастило, перш ніж встановлювати його.

► **Рис.7:** 1. Хвостовик 2. Мастило

Вставте свердло в інструмент. Проверніть свердло та просуньте його, доки воно не стане на місце. Після встановлення слід переконатися, що свердло вставлено надійно. Для цього спробуйте витягнути його.

► **Рис.8:** 1. свердло

Щоб зняти свердло, потягніть униз кришку патрона та витягніть свердло.

► **Рис.9:** 1. свердло 2. Кришка патрона

Обмежувач глибини

Обмежувач глибини зручно використовувати для свердління отворів однакової глибини. Ослабте боковий захват і вставте обмежувач глибини в отвір, передбачений у боковому захваті. Відрегулюйте обмежувач глибини на потрібну глибину й належним чином затягніть бокову рукоятку.

► **Рис.10:** 1. Отвір 2. Обмежувач глибини

ПРИМІТКА: Переконайтеся, що під час установлення обмежувач глибини не торкається корпусу інструмента.

Пилозахисний ковпачок

Додаткове обладнання

Використовуйте пилозахисний ковпачок для запобігання падінню пилу на інструмент та на себе під час свердління. Установіть пилозахисний ковпачок на свердло, як показано на малюнку. Розміри свердел, на які можна встановлювати пилозахисний ковпачок такі.

модель	Діаметр свердла
Пилозахисний ковпачок 5	6 — 14,5 мм
Пилозахисний ковпачок 9	12 — 16 мм

► **Рис.11:** 1. Пилозахисний ковпачок

Комплект пилозахисних ковпачків

Додаткове обладнання

Установлення комплекту пилозахисних ковпачків

УВАГА: Якщо ви купуєте комплект пилозахисних ковпачків як додаткове обладнання, не використовуйте разом із ними стандартну бокову рукоятку, що встановлюється на інструмент. Якщо на інструмент встановлено комплект пилозахисних ковпачків, зніміть ручки зі стандартної бокової рукоятки, а потім приєднайте її до додаткового комплекту основи ручки.

► **Рис.12:** 1. Болт 2. Ручка 3. Додатковий комплект основи ручки

УВАГА: Не використовуйте комплект пилозахисних ковпачків для свердління металу або подібних матеріалів. Це може пошкодити комплект пилозахисних ковпачків унаслідок впливу тепла від дрібного металевого пилу чи подібних речовин. Не встановлюйте та не знімайте комплект пилозахисних ковпачків, якщо свердло знаходиться в інструменті. Це може пошкодити комплект пилозахисних ковпачків та призвести до витоків пилу.

Перед установленням комплекту пилозахисних ковпачків витягніть свердло з інструмента, якщо воно там є.

1. Установіть вставку так, щоб пази на вставці ввійшли в проміжки між виступами на корпусі інструмента під час розширення. Слідкуйте за тим, щоб пружина не вийшла з прорізу вставки.

► **Рис.13:** 1. Проміжна вставка 2. Пружина

► **Рис.14**

2. Установіть бокову рукоятку (додатковий комплект основи ручки й ручку знято зі стандартної бокової рукоятки), так щоб у паз на рукоятці ввійшов виступ на розпірці. Поверніть рукоятку за годинниковою стрілкою, щоб зафіксувати її.

► **Рис.15:** 1. Бокова рукоятка

3. Установіть комплект пилозахисних ковпачків таким чином, щоб затиски пилозахисного ковпачка ввійшли в прорізи вставки.

► **Рис.16:** 1. Пилозахисний ковпачок 2. Затиск

ПРИМІТКА: Якщо необхідно підключити пилосос до комплекту пилозахисних ковпачків, зніміть ковпачок перед підключенням.

► **Рис.17:** 1. Пилозахисний ковпачок

Знімання свердла

Щоб зняти свердло, потягніть униз кришку патрона та витягніть свердло.

► **Рис.18:** 1. Свердло 2. Кришка патрона

Знімання комплекту пилозахисних ковпачків

Щоб зняти комплект пилозахисних ковпачків, виконайте зазначені нижче дії.

1. Відпустіть бокову рукоятку.

► **Рис.19:** 1. Бокова рукоятка

2. Візьміться за основу пилозахисного ковпачка та вийміть його.

► **Рис.20:** 1. Пилозахисний ковпачок

ПРИМІТКА: Якщо не вдається зняти комплект пилозахисних ковпачків, знімайте виступи пилозахисного ковпака по одному, прокручуючи й виймаючи основу пилозахисного ковпака.

ПРИМІТКА: Якщо ковпачок від'єднується від пилозахисного ковпачка, установіть його перфорованою частиною догори таким чином, щоб паз на ковпачку ввійшов до внутрішньої периферії приладдя.

► **Рис.21**

РОБОТА


▲ОБЕРЕЖНО: Обов'язково використовуйте бокову рукоятку (допоміжна ручка) та міцно тримайте інструмент за бокову рукоятку та ручку з вимикачем під час роботи.

▲ОБЕРЕЖНО: Перед початком роботи переконайтеся, що робочі деталі надійно зафіксовані.

► **Рис.22**

Робота в режимі ударного свердління

▲ОБЕРЕЖНО: Під час пробивання отвору до інструмента/свердла прикладається величезне зусилля, коли отвір забивається уламками та частинками або у разі удару свердла об арматуру в бетоні. **Обов'язково використовуйте бокову рукоятку (допоміжна ручка) та міцно тримайте інструмент за бокову рукоятку та ручку з вимикачем під час роботи.** Недотримання цієї вимоги може призвести до втрати контролю над інструментом та важкого травмування.

Встановіть режим роботи, повернувши ручку, щоб вона вказувала на символ .

Приставте свердло до місця, у якому необхідно зробити отвір, а потім натисніть на курок вмикача. Не прикладайте силу до інструмента. Невеликий тиск забезпечує найліпші результати. Тримайте інструмент у належному положенні та не давайте йому вискочити з отвору.

Не збільшуйте тиск, коли отвір забивається уламками та частинками. Натомість прокрутіть інструмент на холостому ході, а потім частково вийміть свердло з отвору. Якщо це зробити декілька разів, отвір очиститься, і можна буде продовжити нормальне свердління.

ПРИМІТКА: Якщо інструмент працює без навантаження, під час роботи може спостерігатись ексцентричність в обертанні свердла. Під час роботи інструмент автоматично центрується. На точність свердління це не впливає.

Свердління деревини або металу

▲ОБЕРЕЖНО: Слід тримати інструмент міцно та бути обережним, коли свердло починає входити в оброблювану деталь. Під час пробивання отвору до інструмента/свердла прикладається величезне зусилля.


▲ОБЕРЕЖНО: Свердло, яке застрягло, можна легко видалити, встановивши важіль перемикача реверсу на зворотний напрямок обертання, щоб отримати задній хід. Але якщо інструмент не тримати міцно, він може різко відскочити.

▲ОБЕРЕЖНО: Оброблювану деталь обов'язково необхідно затискати в лещатах або подібному пристрої фіксації.

УВАГА: Ніколи не використовуйте «обертання з відбіною дією», коли на інструменті встановлений патрон свердла. Патрон свердла може бути пошкоджений.

Патрон свердла також знімається, якщо ввімкнути зворотний хід.

УВАГА: Прикладання до інструмента надмірного тиску не пришвидшує свердління. Насправді надмірний тиск може лише пошкодити свердло, погіршити характеристики інструмента та скоротити термін його експлуатації.

Встановіть режим роботи, повернувши ручку, щоб вона вказувала на символ .

Прикріпіть адаптер патрона до патрона свердла, що не потребує ключа, у який можна вставити шуруп розміром 1/2"-20, і встановіть його в інструмент. Процедура встановлення див. в розділі «Встановлення та зняття свердла».

► **Рис.23:** 1. Патрон свердла, що не потребує ключа 2. Адаптер патрона

Повітродувка

Додаткове обладнання

Коли отвір буде просвердлено, можна очистити його від пилу повітродувкою.

► **Рис.24**

Використання комплекту пилозахисних ковпачків

Додаткове обладнання

Прикріпіть комплект пилозахисних ковпачків до стелі, коли використовуєте інструмент.

► Рис.25

УВАГА: Не використовуйте комплект пилозахисних ковпачків для свердління металу або подібних матеріалів. Це може пошкодити комплект пилозахисних ковпачків унаслідок впливу тепла від дрібного металевого пилу чи подібних речовин.

УВАГА: Не встановлюйте та не знімайте комплект пилозахисних ковпачків, якщо свердло знаходиться в інструменті. Це може пошкодити комплект пилозахисних ковпачків і призвести до витоку пилу.

- Патрон свердла, що не потребує ключа
- Мастило для свердла
- Обмежувач глибини
- Повітродувка
- Пилозахисний ковпачок
- Комплект пилозахисних ковпачків
- Комплект основи ручки
- Захисні окуляри
- Пластмасова валіза для транспортування

ПРИМІТКА: Деякі елементи списку можуть входити до комплекту інструмента як стандартне приладдя. Вони можуть відрізнятися залежно від країни.

ТЕХНІЧНЕ ОБСЛУГОВУВАННЯ

⚠ ОБЕРЕЖНО: Перед здійсненням перевірки або обслуговування завжди перевіряйте, щоб інструмент був вимкнений, а касета з акумулятором була знята.

УВАГА: Ніколи не використовуйте газолін, бензин, розріджувач, спирт та подібні речовини. Їх використання може призвести до зміни кольору, деформації або появи тріщин.

Для забезпечення БЕЗПЕКИ та НАДІЙНОСТІ продукції, її ремонт, а також роботи з обслуговування або регулювання повинні виконуватись уповноваженими або заводськими сервісними центрами Makita із використанням запчастин виробництва компанії Makita.

ДОДАТКОВЕ ПРИЛАДДЯ

⚠ ОБЕРЕЖНО: Це додаткове та допоміжне обладнання рекомендовано використовувати з інструментом Makita, зазначеним у цій інструкції з експлуатації. Використання будь-якого іншого додаткового та допоміжного обладнання може становити небезпеку травмування. Використовуйте додаткове та допоміжне обладнання лише за призначенням.

У разі необхідності отримати допомогу в більш детальному ознайомленні з оснащенням звертайтеся до місцевого сервісного центру Makita.

- Свердло із твердосплавним наконечником (біти з карбідним наконечником SDS-Plus)
- Колонкове свердло
- Свердло з алмазним осердям
- Адаптер патрона

SPECIFICAȚII

Model:		HR1840	HR1841F
Capacități	Beton	18 mm	
	Burghiu de centrare	35 mm	
	Burghiu de centrare diamantat (tip uscat)	65 mm	
	Oțel	13 mm	
	Lemn	24 mm	
Turație în gol		0 – 2.100 min ⁻¹	
Lovituri pe minut		0 – 4.800 min ⁻¹	
Lungime totală		285 mm	
Greutate netă		2,0 – 2,4 kg	2,0 – 2,5 kg
Clasa de siguranță		□/II	

- Datorită programului nostru continuu de cercetare și dezvoltare, specificațiile pot fi modificate fără o notificare prealabilă.
- Specificațiile pot varia în funcție de țară.
- Greutatea poate diferi în funcție de accesoriu(ii). În tabel se prezintă combinația cea mai ușoară și cea mai grea, conform Procedurii EPTA 01/2014.

Destinația de utilizare

Mașina este destinată găuririi cu percuție și găuririi simple în cărămidă, beton și piatră. De asemenea, este adecvată și pentru găurirea fără percuție în lemn, metal, ceramică și plastic.

Sursă de alimentare

Mașina trebuie conectată numai la o sursă de alimentare cu curent alternativ monofazat, cu tensiunea egală cu cea indicată pe plăcuța de identificare a mașinii. Acestea au o izolație dublă și, drept urmare, pot fi utilizate de la prize fără împământare.

Zgomot

Nivelul de zgomot normal ponderat A determinat în conformitate cu EN60745:

Model HR1840

Nivel de presiune acustică (L_{pA}): 87 dB(A)

Nivel de putere acustică (L_{WA}): 98 dB (A)

Marjă de eroare (K): 3 dB(A)

Model HR1841F

Nivel de presiune acustică (L_{pA}): 87 dB(A)

Nivel de putere acustică (L_{WA}): 98 dB (A)

Marjă de eroare (K): 3 dB(A)

AVERTIZARE: Purtați echipament de protecție pentru urechi.

Vibrații

Valoarea totală a vibrațiilor (suma vectorilor tri-axiali) determinată conform EN60745:

Model HR1840

Mod de lucru: găurire cu percuție în beton

Emisie de vibrații ($a_{h,HD}$): 10,0 m/s²

Marjă de eroare (K): 1,5 m/s²

Mod de lucru: găurirea metalului

Emisie de vibrații ($a_{h,D}$): 3,0 m/s²

Marjă de eroare (K): 1,5 m/s²

Model HR1841F

Mod de lucru: găurire cu percuție în beton

Emisie de vibrații ($a_{h,HD}$): 7,5 m/s²

Marjă de eroare (K): 1,5 m/s²

Mod de lucru: găurirea metalului

Emisie de vibrații ($a_{h,D}$): 3,0 m/s²

Marjă de eroare (K): 1,5 m/s²

NOTĂ: Nivelul de vibrații declarat a fost măsurat în conformitate cu metoda de test standard și poate fi utilizat pentru compararea unei unelte cu alta.

NOTĂ: Nivelul de vibrații declarat poate fi, de asemenea, utilizat într-o evaluare preliminară a expunerii.

AVERTIZARE: Nivelul de vibrații în timpul utilizării efective a unelei electrice poate diferi de valoarea nivelului declarat, în funcție de modul în care unealta este utilizată.

AVERTIZARE: Asigurați-vă că identificați măsurile de siguranță pentru a proteja operatorul, acestea fiind bazate pe o estimare a expunerii în condiții reale de utilizare (luând în considerare toate părțile ciclului de operare, precum timpii în care unealta a fost oprită, sau a funcționat în gol, pe lângă timpul de declanșare).

Declarație de conformitate CE

Numai pentru țările europene

Declarația de conformitate CE este inclusă ca Anexa A în acest manual de instrucțiuni.

AVERTIZĂRI DE SIGURANȚĂ

Avertismente generale de siguranță pentru mașinile electrice

⚠️ AVERTIZARE: Citiți toate avertismentele privind siguranța, instrucțiunile, ilustrațiile și specificațiile furnizate cu această sculă electrică. Nerespectarea integrală a instrucțiunilor de mai jos poate cauza electrocutări, incendii și/sau vătămări corporale grave.

Păstrați toate avertismentele și instrucțiunile pentru consultări ulterioare.

Termenul „mașină electrică” din avertizări se referă la mașinile dumneavoastră electrice acționate de la rețea (prin cablu) sau cu acumulator (fără cablu).

AVERTISMENTE DE SIGURANȚĂ PRIVIND CIOCANUL ROTOPERCUTOR

- Purtați echipamente de protecție pentru urechi.** Expunerea la zgomot poate cauza pierderea auzului.
- Utilizați mânerul auxiliar, dacă sunt livrate cu mașina.** Pierderea controlului poate produce vătămări corporale.
- Apucați mașina electrică de suprafețele izolate, atunci când efectuați o operațiune în cadrul căreia accesoriul de tăiere poate intra în contact cu cablurile ascunse sau cu propriul său cablu.** Accesoriul de tăiere care intră în contact cu un fir aflat sub tensiune poate pune sub tensiune componentele metalice neizolate ale mașinii electrice și poate produce un șoc electric asupra operatorului.
- Purtați o cască dură (cască de protecție), ochelari de protecție și/sau o mască de protecție. Ochelarii obișnuiți sau ochelarii de soare NU sunt ochelari de protecție. De asemenea, se recomandă insistent să purtați o mască de protecție contra prafului și mănuși de protecție groase.**
- Asigurați-vă că scula este fixată înainte de utilizare.**
- În condiții de utilizare normală, mașina este concepută să producă vibrații. Șuruburile se pot slăbi ușor, cauzând o defecțiune sau un accident. Verificați cu atenție strângerea șuruburilor înainte de utilizare.**
- În condiții de temperatură scăzută sau dacă mașina nu a fost utilizată o perioadă mai îndelungată, lăsați-o să se încălzească un timp prin acționarea ei în gol. Această acțiune va facilita lubrifierea. Operațiunea de percuție este dificilă fără o încălzire prealabilă corespunzătoare.**
- Păstrați-vă echilibrul. Asigurați-vă că nu se află nicio persoană dedesubt atunci când folosiți mașina la înălțime.**
- Țineți mașina ferm cu ambele mâini.**
- Țineți mâinile la distanță de piesele în mișcare.**
- Nu lăsați mașina în funcțiune. Folosiți mașina numai când o țineți cu mâinile.**
- Nu îndreptați mașina către nicio persoană din jur în timpul utilizării. Scula poate fi aruncată din mașină și poate provoca vătămări corporale grave.**
- Nu atingeți scula, piesele din apropierea sculei sau piesa de prelucrat imediat după executarea lucrării; acestea pot fi extrem de fierbinți și pot provoca arsuri ale pielii.**

- Unele materiale conțin substanțe chimice care pot fi toxice. Aveți grijă să nu inhalați praful și evitați contactul cu pielea. Respectați instrucțiunile de siguranță ale furnizorului.

- Nu atingeți fișa cu mâinile umede.

PĂSTRAȚI ACESTE INSTRUCȚIUNI.

⚠️ AVERTIZARE: NU permiteți comodității și familiarizării cu produsul (obținute prin utilizare repetată) să înlocuiască respectarea strictă a normelor de securitate pentru acest produs. FOLOSIREA INCORECTĂ sau nerespectarea normelor de securitate din acest manual de instrucțiuni poate provoca vătămări corporale grave.

DESCRIEREA FUNCȚIILOR

⚠️ ATENȚIE: Asigurați-vă că ați oprit mașina și că ați deconectat-o de la rețea înainte de a o regla sau de a verifica starea sa de funcționare.

Acționarea întrerupătorului

⚠️ ATENȚIE: Înainte de a conecta mașina la rețea, verificați dacă butonul declanșator funcționează corect și dacă revine la poziția „OFF” (oprit) atunci când este eliberat.

⚠️ ATENȚIE: Comutatorul poate fi blocat în poziția „ON” (pornire) pentru confortul utilizatorului în timpul utilizării prelungite. Acordați atenție atunci când blocați mașina în poziția „ON” (pornire) și țineți mașina ferm.

► Fig.1: 1. Buton declanșator 2. Buton de deblocare

Pentru a porni mașina, trageți de butonul declanșator. Viteza mașinii poate fi crescută prin creșterea forței de apăsare pe butonul declanșator. Eliberați butonul declanșator pentru a opri mașina.

Pentru funcționare continuă, trageți butonul declanșator, apoi apăsați butonul de blocare și eliberați butonul declanșator. Pentru a opri mașina din poziția blocată, apăsați complet butonul declanșator și apoi eliberați-l.

Aprinderea lămpii frontale

Pentru HR1841F

► Fig.2: 1. Buton declanșator 2. Lampă

⚠️ ATENȚIE: Nu priviți direct în raza sau în sursa de lumină.

Pentru a aprinde lampa, acționați butonul declanșator. Eliberați butonul declanșator pentru a o stinge.

NOTĂ: Nu folosiți diluant sau benzină pentru curățarea lămpii. Astfel de solvenți o pot deteriora.

NOTĂ: Folosiți o lavetă uscată pentru a șterge murdăria de pe lentila lămpii. Aveți grijă să nu zgăriați lentila lămpii deoarece, în caz contrar, iluminarea va fi redusă.

Funcția inversorului

⚠️ATENȚIE: Verificați întotdeauna sensul de rotație înainte de utilizare.

NOTĂ: Folosiți inversorul numai după ce mașina s-a oprit complet. Schimbarea sensului de rotație înainte de oprirea mașinii poate avaria mașina.

NOTĂ: Atunci când schimbați direcția de rotație, asigurați-vă că setați complet pârghia de inversor în poziția ◁ (latura A) sau ▷ (latura B). În caz contrar, atunci când butonul declanșator este acționat, este posibil ca motorul să nu se rotească sau ca mașina să nu funcționeze corect.

► Fig.3: 1. Pârghie de inversor


Această mașină dispune de un inversor pentru schimbarea sensului de rotație. Mutați pârghia inversorului în poziția ◁ (partea A) pentru rotire spre dreapta sau în poziția ▷ (partea B) pentru rotire spre stânga.

Selectarea modului de acționare

NOTĂ: Nu acționați butonul rotativ de schimbare a modului de acționare când mașina este în funcțiune. Mașina va fi avariata.

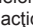
NOTĂ: Pentru a evita uzura rapidă a mecanismului de schimbare a modului de acționare, aveți grijă întotdeauna ca butonul rotativ de schimbare a modului de acționare să fie poziționat corect într-una dintre pozițiile corespunzătoare modurilor de acționare.

Rotire cu percuție

Pentru găurirea betonului, zidăriei etc., rotiți butonul rotativ de schimbare a modului de acționare la simbolul . Utilizați un cap de burghiu cu plăcuțe de carbură metalice.

► Fig.4: 1. Buton rotativ de schimbare a modului de acționare

Rotire simplă

Pentru găurirea lemnului, metalului sau a materialelor plastice, rotiți butonul de schimbare a modului de acționare la simbolul . Folosiți un cap de burghiu elicoidal sau un cap de burghiu pentru lemn.

► Fig.5: 1. Buton rotativ de schimbare a modului de acționare

Limitator de cuplu

NOTĂ: Opriti mașina de îndată ce limitatorul de cuplu începe să funcționeze. Astfel, veți evita uzura prematură a mașinii.

NOTĂ: Capetele de burghiu, cum ar fi coroana de găurit, care tind să se blocheze sau să se agațe ușor în gaură, nu sunt adecvate pentru această mașină. Acestea vor cauza acționarea prea frecventă a limitatorului de cuplu.

Limitatorul de cuplu va acționa atunci când se atinge o anumită valoare a cuplului. Motorul va fi decuplat de la arborele de ieșire. În acest caz, capul de burghiu nu se va mai roti.

ASAMBLARE

⚠️ATENȚIE: Asigurați-vă că ați oprit mașina și că ați deconectat-o de la rețea înainte de a efectua vreo intervenție asupra mașinii.

Mâner lateral (mâner auxiliar)

⚠️ATENȚIE: Folosiți întotdeauna mânerul lateral pentru a garanta siguranța utilizării.

⚠️ATENȚIE: După montarea sau reglarea mânerului lateral, asigurați-vă că acesta este fixat bine.

Instalați mânerul lateral astfel încât canelurile de pe mâner să se angreneze în protuberanțele de pe corpul mașinii. Rotiți mânerul spre dreapta pentru a-l fixa. Mânerul poate fi fixat la unghiul de atac dorit.

► Fig.6: 1. Mâner lateral

Unsoare

Acoperiți capătul cozii capului de burghiu în prealabil cu o cantitate mică de unsoare (circa 0,5 - 1 g). Această lubrifiere a mandrinei asigură o funcționare lină și o durată de exploatare prelungită.

Instalarea sau demontarea capului de burghiu

Curățați capătul cozii capului de burghiu și aplicați unsoare înainte de montarea capului de burghiu.

► Fig.7: 1. Capătul cozii 2. Unsoare

Introduceți capul de burghiu în mașină. Rotiți capul de burghiu și împingeți până când se cuplează. După instalarea capului de burghiu, asigurați-vă întotdeauna că ați fixat ferm capul de burghiu, încercând să îl trageți afară.

► Fig.8: 1. Cap de burghiu

Pentru a demonta capul de burghiu, trageți manșonul mandrinei complet în jos și extrageți capul de burghiu.

► Fig.9: 1. Cap de burghiu 2. Manșonul mandrinei

Profundor

Profundorul este util pentru efectuarea orificiilor cu o adâncime uniformă. Slăbiți mânerul lateral și introduceți calibrul de reglare a adâncimii în orificiul de pe mânerul lateral. Reglați calibrul de reglare a adâncimii la adâncimea dorită și strângeți ferm mânerul lateral.

► Fig.10: 1. Orificiu 2. Profundor

NOTĂ: Asigurați-vă că între calibrul de reglare și corpul principal al mașinii nu există niciun contact în momentul în care îl atașați.

Capac antipraf

Accesorii opționale

Folosiți capacul antipraf pentru a preveni curgerea prafului pe mașină și pe dumneavoastră atunci când executați operații de găurire deasupra capului. Atașați capacul antipraf pe burghiu după cum se vede în figură. Dimensiunile burghiilor la care poate fi atașat capacul antipraf sunt următoarele.

Model	Diametrul burghiului
Capac antipraf 5	6 mm - 14,5 mm
Capac antipraf 9	12 mm - 16 mm

► Fig.11: 1. Capac antipraf

Set capace antipraf

Accesorii opționale

Instalarea setului capace antipraf

NOTĂ: Dacă achiziționați setul de capace antipraf ca accesoriu opțional, mânerul lateral standard nu poate fi utilizat cu setul de capace antipraf instalat pe mașină. Atunci când setul de capace antipraf este instalat pe mașină, scoateți mânerul de pe mânerul lateral standard și atașați-l pe setul de bază a mânerului opțional.

► Fig.12: 1. Bolț 2. Mâner de prindere 3. Set de bază a mânerului opțional

NOTĂ: Nu utilizați setul de capace antipraf când găuriți metal sau materiale similare. Acest lucru poate deteriora setul de capace antipraf din cauza căldurii produse de micile particule de praf de metal sau materiale similare. Nu instalați sau demontați setul de capace antipraf cu capul de burghiu instalat pe mașină. Acest lucru poate deteriora setul de capace antipraf și poate cauza scurgeri de praf.

Înainte de instalarea setului de capace antipraf, demontați burghiul de pe mașină, dacă este instalat.

1. Instalați distanțierul astfel încât canelurile de pe distanțier să se angreneze în protuberanțele de pe corpul mașinii în timpul extinderii acestuia. Aveți grijă ca arcul nu se desprindă din fanta distanțierului.

► Fig.13: 1. Distanțier 2. Arc

► Fig.14

2. Instalați mânerul lateral (setul de bază a mânerului opțional și mânerul scos de pe mânerul lateral standard) astfel încât canelura de pe mâner să se angreneze în protuberanța de pe distanțier. Rotiți mânerul spre dreapta pentru a-l fixa.

► Fig.15: 1. Mâner lateral

3. Instalați setul de capace antipraf, astfel încât clichetele capacului antipraf să se angreneze în fantele de pe distanțier.

► Fig.16: 1. Capac antipraf 2. Clichete

NOTĂ: În cazul în care conectați un aspirator la setul de capace antipraf, scoateți capacul antipraf înainte de a-l conecta.

► Fig.17: 1. Capac antipraf

Scoaterea capului burghiului

Pentru a demonta capul de burghiu, trageți manșonul mandrinei complet în jos și extrageți capul de burghiu.

► Fig.18: 1. Cap de înșurubat 2. Manșonul mandrinei

Scoaterea setului capace antipraf

Pentru a scoate setul capace antipraf, urmați etapele de mai jos.

1. Slăbiți mânerul lateral.

► Fig.19: 1. Mâner lateral

2. Țineți baza capacului antipraf și trageți-l afară.

► Fig.20: 1. Capac antipraf

NOTĂ: Dacă scoaterea setului capace antipraf este dificilă, scoateți clichetele capacului antipraf unul câte unul, rotind și trăgând baza capacului antipraf.

NOTĂ: În cazul în care capacul se desprinde de pe capacul antipraf, atașați-l cu partea imprimată orientată în sus, astfel încât canelura de pe capac să se angreneze în periferia interioară a accesoriului.

► Fig.21

OPERAREA


⚠ATENȚIE: Folosiți întotdeauna mânerul lateral (mânerul auxiliar) și țineți mașina ferm de mânerul lateral și mânerul cu comutator în timpul lucrului.

⚠ATENȚIE: Asigurați-vă întotdeauna că piesa de prelucrat este fixată înainte de utilizare.

► Fig.22

Operația de găurire cu percuție

⚠ATENȚIE: Asupra mașinii/capului burghiului este exercitată o forță de răsucire enormă și bruscă în momentul în care orificiul este străpuns, dacă orificiul se înfundă cu așchii și particule sau dacă întâlniți barele de armătură încastrate în beton. **Folosiți întotdeauna mânerul lateral (mânerul auxiliar) și țineți mașina ferm de mânerul lateral și mânerul cu comutator în timpul lucrului.** În caz contrar, există riscul de a pierde controlul mașinii și de a suferi vătămări corporale grave.

Reglați butonul rotativ de schimbare a modului de acțiune la simbolul .

Poziționați capul de burghiu în punctul de găurire dorit, apoi trageți de butonul declanșator. Nu forțați mașina. O presiune mai ușoară oferă cele mai bune rezultate. Mențineți mașina în poziție și împiedicați-o să alunece din gaură.

Nu aplicați o presiune mai mare dacă gaura se înfundă cu așchii sau particule. În schimb, lăsați mașina să funcționeze în gol și scoateți parțial capul de burghiu din gaură. Repetând această operație de mai multe ori, gaura va fi curățată și veți putea continua găurirea normală.

NOTĂ: Când acționați mașina fără sarcină poate apărea o rotație excentrică a capului de burghiu. Mașina se autocentrează în timpul funcționării. Aceasta nu afectează precizia de găurire.

Găurirea în lemn sau metal


⚠️ ATENȚIE: Țineți mașina ferm și procedați cu atenție atunci când capul de burghiu trece prin piesa de prelucrat. Asupra mașinii/capului de burghiu este exercitată o forță enormă în momentul în care gaura este străpunsă.

⚠️ ATENȚIE: Un cap de burghiu blocat se poate debloca prin simpla setare a inversorului pentru rotația în sens invers, pentru retragere. Totuși, mașina se poate retrage brusc dacă nu o țineți ferm.

⚠️ ATENȚIE: Piesele trebuie fixate întotdeauna cu o menghină sau cu un alt dispozitiv similar de fixare.

NOTĂ: Nu utilizați niciodată „rotirea cu percuție” atunci când mandrina de găurit este instalată pe mașină. Mandrina de găurit se poate deteriora. De asemenea, mandrina de găurit se va desprinde în momentul inversării direcției de rotație a mașinii.

NOTĂ: Aplicarea unei forțe excesive asupra mașinii nu va grăbi operațiunea de găurire. De fapt, presiunea excesivă nu va face decât să deterioreze burghiul, reducând performanțele mașinii și durata de viață a acesteia.

Reglați butonul rotativ de schimbare a modului de acționare la simbolul .

Atașați adaptorul de mandrină pe o mandrină de găurit fără cheie pe care poate fi instalat un șurub de dimensiune 1/2"-20, iar apoi instalați-le pe unealtă. La instalare, consultați secțiunea „Instalarea sau demontarea capului de burghiu”.

► **Fig.23:** 1. Mandrină de găurit fără cheie 2. Adaptor mandrină

Pară de suflare

Accesorii opționale

După găurire, folosiți para de suflare pentru a curăța praful din gaură.

► **Fig.24**

Utilizarea setului de capace antipraf

Accesorii opționale

Prindeți setul de capace antipraf pe plafon atunci când operați mașina.

► **Fig.25**

NOTĂ: Nu utilizați setul de capace antipraf când găuriți metal sau materiale similare. Acest lucru poate deteriora setul de capace antipraf din cauza căldurii produse de micile particule de praf de metal sau materiale similare.

NOTĂ: Nu instalați sau demontați setul de capace antipraf cu capul de burghiu instalat pe mașină. Acest lucru poate deteriora setul de capace antipraf și poate cauza scurgeri de praf.

ÎNTREȚINERE

⚠️ ATENȚIE: Asigurați-vă întotdeauna că mașina este oprită și cartușul acumulatorului scos înainte de a executa lucrările de inspecție și întreținere.

NOTĂ: Nu utilizați niciodată gazolină, benzină, diluant, alcool sau alte substanțe asemănătoare. În caz contrar, pot rezulta decolorări, deformări sau fisuri.

Pentru a menține SIGURANȚA și FIABILITATEA produsului, reparațiile și orice alte lucrări de întreținere sau reglare trebuie executate de centre de service Makita autorizate sau proprii, folosind întotdeauna piese de schimb Makita.

ACCESORII OPȚIONALE

⚠️ ATENȚIE: Folosiți accesoriile sau piesele auxiliare recomandate pentru mașina dumneavoastră Makita în acest manual. Utilizarea oricăror alte accesorii sau piese auxiliare poate prezenta risc de vătămare corporală. Utilizați accesoriile și piesele auxiliare numai în scopul destinat.

Dacă aveți nevoie de asistență sau de mai multe detalii referitoare la aceste accesorii, adresați-vă centrului local de service Makita.

- Capete de burghiu cu plăcuțe de carburi metalice (capete cu plăcuțe de carburi metalice SDS-Plus)
- Burghiu de centrare
- Burghiu de centrare diamantat
- Adaptor mandrină
- Mandrină de găurit fără cheie
- Unsoare pentru burghie
- Profundor
- Pară de suflare
- Capac antipraf
- Set capace antipraf
- Set bază mână
- Ochelari de protecție
- Cutie de plastic pentru transport

NOTĂ: Unele articole din listă pot fi incluse ca accesorii standard în ambalajul de scule. Acestea pot diferi în funcție de țară.

TECHNISCHE DATEN

Modell:		HR1840	HR1841F
Kapazitäten	Beton	18 mm	
	Bohrkrone	35 mm	
	Diamant-Bohrkrone (Trockentyp)	65 mm	
	Stahl	13 mm	
	Holz	24 mm	
Leerlaufdrehzahl		0 – 2.100 min ⁻¹	
Schlagzahl pro Minute		0 – 4.800 min ⁻¹	
Gesamtlänge		285 mm	
Nettogewicht		2,0 – 2,4 kg	2,0 – 2,5 kg
Sicherheitsklasse		□/II	

- Wir behalten uns vor, Änderungen der technischen Daten im Zuge der Entwicklung und des technischen Fortschritts ohne vorherige Ankündigung vorzunehmen.
- Die technischen Daten können von Land zu Land unterschiedlich sein.
- Das Gewicht kann abhängig von den Aufsätzen unterschiedlich sein. Die leichteste und die schwerste Kombination, gemäß dem EPTA-Verfahren 01/2014, sind in der Tabelle angegeben.

Vorgesehene Verwendung

Das Werkzeug ist für Hammerbohren und Bohren in Ziegeln, Beton und Stein vorgesehen. Es eignet sich auch für normales Bohren in Holz, Metall, Keramik und Kunststoff.

Stromversorgung

Das Werkzeug sollte nur an eine Stromquelle angeschlossen werden, deren Spannung mit der Angabe auf dem Typenschild übereinstimmt, und kann nur mit Einphasen-Wechselstrom betrieben werden. Diese sind doppelt schutzisoliert und können daher auch an Steckdosen ohne Erdleiter verwendet werden.

Geräusch

Typischer A-bewerteter Geräuschpegel ermittelt gemäß EN60745:

Modell HR1840

Schalldruckpegel (L_{pA}): 87 dB (A)
 Schalleistungspegel (L_{WA}): 98 dB (A)
 Messunsicherheit (K): 3 dB (A)

Modell HR1841F

Schalldruckpegel (L_{pA}): 87 dB (A)
 Schalleistungspegel (L_{WA}): 98 dB (A)
 Messunsicherheit (K): 3 dB (A)

⚠️ WARNUNG: Einen Gehörschutz tragen.

Schwingungen

Schwingungsgesamtwert (Drei-Achsen-Vektorsumme) ermittelt gemäß EN60745:

Modell HR1840

Arbeitsmodus: Hammerbohren in Beton
 Schwingungsemission ($a_{h,HD}$): 10,0 m/s²
 Messunsicherheit (K): 1,5 m/s²

Arbeitsmodus: Bohren in Metall
 Schwingungsemission ($a_{h,D}$): 3,0m/s²
 Messunsicherheit (K): 1,5 m/s²

Modell HR1841F

Arbeitsmodus: Hammerbohren in Beton
 Schwingungsemission ($a_{h,HD}$): 7,5 m/s²
 Messunsicherheit (K): 1,5 m/s²

Arbeitsmodus: Bohren in Metall
 Schwingungsemission ($a_{h,D}$): 3,0m/s²
 Messunsicherheit (K): 1,5 m/s²

HINWEIS: Der angegebene Schwingungsemissionswert wurde im Einklang mit der Standardprüfmethode gemessen und kann für den Vergleich zwischen Werkzeugen herangezogen werden.

HINWEIS: Der angegebene Schwingungsemissionswert kann auch für eine Vorbewertung des Gefährdungsgrads verwendet werden.

⚠️ WARNUNG: Die Schwingungsemission während der tatsächlichen Benutzung des Werkzeugs kann je nach der Benutzungsweise des Werkzeugs vom angegebenen Emissionswert abweichen.

⚠️ WARNUNG: Identifizieren Sie Sicherheitsmaßnahmen zum Schutz des Benutzers anhand einer Schätzung des Gefährdungsgrads unter den tatsächlichen Benutzungsbedingungen (unter Berücksichtigung aller Phasen des Arbeitszyklus, wie z. B. Ausschalt- und Leerlaufzeiten des Werkzeugs zusätzlich zur Betriebszeit).

EG-Konformitätserklärung

Nur für europäische Länder

Die EG-Konformitätserklärung ist als Anhang A in dieser Bedienungsanleitung enthalten.

SICHERHEITSWARNUNGEN

Allgemeine Sicherheitswarnungen für Elektrowerkzeuge

⚠️ WARNUNG: Lesen Sie alle mit diesem Elektrowerkzeug gelieferten Sicherheitswarnungen, Anweisungen, Abbildungen und technischen Daten durch. Eine Missachtung der unten aufgeführten Anweisungen kann zu einem elektrischen Schlag, Brand und/oder schweren Verletzungen führen.

Bewahren Sie alle Warnungen und Anweisungen für spätere Bezugnahme auf.

Der Ausdruck „Elektrowerkzeug“ in den Warnhinweisen bezieht sich auf Ihr mit Netzstrom (mit Kabel) oder Akku (ohne Kabel) betriebenes Elektrowerkzeug.

SICHERHEITSWARNUNGEN FÜR BOHRHAMMER

1. **Tragen Sie Gehörschützer.** Lärmeinwirkung kann Gehörschädigung verursachen.
2. **Benutzen Sie (einen) Zusatzgriff(e), sofern er (sie) mit dem Werkzeug geliefert wurde(n).** Verlust der Kontrolle kann Personenschäden verursachen.
3. **Halten Sie das Elektrowerkzeug nur an den isolierten Griffflächen, wenn Sie Arbeiten ausführen, bei denen die Gefahr besteht, dass verborgene Kabel oder das eigene Kabel kontaktiert werden.** Bei Kontakt mit einem Strom führenden Kabel können die freiliegenden Metallteile des Elektrowerkzeugs ebenfalls Strom führend werden, so dass der Benutzer einen elektrischen Schlag erleiden kann.
4. **Tragen Sie Schutzhelm, Schutzbrille und/oder Gesichtsschutz.** Eine gewöhnliche Brille oder Sonnenbrille ist KEIN Ersatz für eine Schutzbrille. Das Tragen einer Staubmaske und dick gepolsterter Handschuhe ist ebenfalls zu empfehlen.
5. **Vergewissern Sie sich vor der Arbeit, dass der Einsatz sicher montiert ist.**
6. **Das Werkzeug erzeugt konstruktionsbedingt Vibrationen bei normalem Betrieb.** Durch Lockerung von Schrauben kann es zu einem Ausfall oder Unfall kommen. Unterziehen Sie die Schrauben vor der Arbeit einer sorgfältigen Festigkeitsprüfung.
7. **Lassen Sie das Werkzeug bei niedrigen Temperaturen oder nach längerer Nichtbenutzung eine Zeit lang im Leerlauf warm laufen.** Dadurch wird die Schmierung verbessert. Betrieb im kalten Zustand erschwert die Schlagbohrarbeit.
8. **Achten Sie stets auf sicheren Stand.** Vergewissern Sie sich bei Einsatz des Werkzeugs an hochgelegenen Arbeitsplätzen, dass sich keine Personen darunter aufhalten.
9. **Halten Sie das Werkzeug mit beiden Händen fest.**
10. **Halten Sie Ihre Hände von beweglichen Teilen fern.**
11. **Lassen Sie das Werkzeug nicht unbeaufsichtigt laufen. Benutzen Sie das Werkzeug nur mit Handhaltung.**

12. **Richten Sie das Werkzeug während des Betriebs nicht auf umstehende Personen.** Der Einsatz könnte heraus schnellen und schwere Verletzungen verursachen.
13. **Vermeiden Sie eine Berührung des Einsatzes, der umliegenden Teile oder des Werkstücks unmittelbar nach der Bearbeitung, weil die Teile noch sehr heiß sind und Hautverbrennungen verursachen können.**
14. **Manche Materialien können giftige Chemikalien enthalten. Treffen Sie Vorsichtsmaßnahmen, um das Einatmen von Arbeitsstaub und Hautkontakt zu verhindern. Befolgen Sie die Sicherheitsdaten des Materiallieferanten.**
15. **Fassen Sie den Netzstecker nicht mit nassen Händen an.**

DIESE ANWEISUNGEN AUFBEWAHREN.

⚠️ WARNUNG: Lassen Sie sich NICHT durch Bequemlichkeit oder Vertrautheit mit dem Produkt (durch wiederholten Gebrauch erworben) von der strikten Einhaltung der Sicherheitsregeln für das vorliegende Produkt abhalten. **MISSBRAUCH** oder Missachtung der Sicherheitsvorschriften in dieser Anleitung können schwere Verletzungen verursachen.

FUNKTIONSBESCHREIBUNG

⚠️ VORSICHT: Vergewissern Sie sich vor jeder Einstellung oder Funktionsprüfung des Werkzeugs stets, dass es ausgeschaltet und vom Stromnetz getrennt ist.

Schalterfunktion

⚠️ VORSICHT: Vergewissern Sie sich vor dem Anschließen des Werkzeugs an das Stromnetz stets, dass der Ein-Aus-Schalter ordnungsgemäß funktioniert und beim Loslassen in die AUS-Stellung zurückkehrt.

⚠️ VORSICHT: Der Schalter kann zur Arbeitserleichterung bei längerem Einsatz in der „EIN“-Stellung verriegelt werden. Lassen Sie Vorsicht walten, wenn Sie den Schalter in der „EIN“-Stellung verriegeln, und halten Sie das Werkzeug mit festem Griff.

► **Abb.1:** 1. Ein-Aus-Schalter 2. Einschaltsperrknopf

Drücken Sie zum Einschalten des Werkzeugs einfach den Ein-Aus-Schalter. Die Drehzahl erhöht sich durch verstärkte Druckausübung auf den Ein-Aus-Schalter. Lassen Sie den Ein-Aus-Schalter zum Anhalten los.

Für Dauerbetrieb den Ein-Aus-Schalter betätigen, den Arretierknopf hineindrücken, und dann den Ein-Aus-Schalter loslassen. Zum Ausrasten der Sperre den Ein-Aus-Schalter bis zum Anschlag hineindrücken und dann loslassen.

Einschalten der Frontlampe

Für HR1841F

► **Abb.2:** 1. Auslöseschalter 2. Lampe

⚠ VORSICHT: Blicken Sie nicht direkt in die Lampe oder die Lichtquelle.

Betätigen Sie den Auslöseschalter zum Einschalten der Lampe. Lassen Sie zum Ausschalten den Auslöseschalter los.

ANMERKUNG: Verwenden Sie keinen Verdünnern oder Benzin zum Reinigen der Lampe. Solche Lösungsmittel können die Lampe beschädigen.

HINWEIS: Wischen Sie Schmutz auf der Lampenlinse mit einem trockenen Tuch ab. Achten Sie sorgfältig darauf, dass Sie die Lampenlinse nicht verkratzen, weil sich sonst die Lichtstärke verringert.

Funktion des Drehrichtungsumschalters

⚠ VORSICHT: Prüfen Sie stets die Drehrichtung, bevor Sie mit der Arbeit beginnen.

ANMERKUNG: Betätigen Sie den Drehrichtungsumschalter erst, nachdem das Werkzeug völlig zum Stillstand gekommen ist. Durch Umschalten der Drehrichtung bei noch laufendem Werkzeug kann das Werkzeug beschädigt werden.

ANMERKUNG: Achten Sie beim Ändern der Drehrichtung unbedingt darauf, den Drehrichtungsumschalter vollständig auf die Position ◁ (Seite A) oder ▷ (Seite B) zu stellen. Anderenfalls läuft der Motor beim Betätigen des Auslöseschalters eventuell nicht, oder das Werkzeug funktioniert u. U. nicht ordnungsgemäß.

► **Abb.3:** 1. Drehrichtungsumschalthebel


Dieses Werkzeug besitzt einen Drehrichtungsumschalter. Stellen Sie den Drehrichtungsumschalthebel für Drehung im Uhrzeigersinn auf die Position ◁ (Seite A) oder für Drehung gegen den Uhrzeigersinn auf die Position ▷ (Seite B).

Wahl der Betriebsart

ANMERKUNG: Betätigen Sie den Betriebsart-Umschaltknopf nicht bei laufendem Werkzeug. Das Werkzeug kann sonst beschädigt werden.


ANMERKUNG: Um schnellen Verschleiß des Betriebsartwechselmechanismus zu vermeiden, vergewissern Sie sich, dass sich der Betriebsart-Umschaltknopf immer richtig in einer der Betriebsartpositionen befindet.

Schlagbohren

Für Bohren in Beton, Mauerwerk usw. drehen Sie den Betriebsart-Umschaltknopf auf das Symbol . Verwenden Sie einen Bohrereinsatz mit Hartmetallschneide.

► **Abb.4:** 1. Betriebsart-Umschaltknopf

Bohren

Für Bohren in Holz-, Metall- oder Kunststoffmaterial drehen Sie den Betriebsart-Umschaltknopf auf das Symbol . Verwenden Sie einen Spiralbohrer oder Holzbohrer.

► **Abb.5:** 1. Betriebsart-Umschaltknopf

Drehmomentbegrenzer

ANMERKUNG: Schalten Sie das Werkzeug bei Aktivierung des Drehmomentbegrenzers sofort aus. Dies verhindert vorzeitigen Verschleiß des Werkzeugs.

ANMERKUNG: Bohrereinsätze, wie z. B. eine Lochsäge, die zum Klemmen oder Hängenbleiben in der Bohrung neigen, sind für dieses Werkzeug nicht geeignet. Dies liegt daran, dass sie eine zu häufige Aktivierung des Drehmomentbegrenzers verursachen.

Der Drehmomentbegrenzer wird bei Erreichen eines bestimmten Drehmoments ausgelöst. Der Motor wird von der Ausgangswelle abgekuppelt. Wenn dies eintritt, bleibt der Bohrereinsatz stehen.

MONTAGE

⚠ VORSICHT: Vergewissern Sie sich vor der Ausführung von Arbeiten am Werkzeug stets, dass es ausgeschaltet und vom Stromnetz getrennt ist.

Seitengriff (Zusatzgriff)

⚠ VORSICHT: Verwenden Sie stets den Seitengriff, um sicheren Betrieb zu gewährleisten.

⚠ VORSICHT: Vergewissern Sie sich nach dem Montieren oder Einstellen des Seitengriffs, dass er einwandfrei gesichert ist.

Montieren Sie den Seitengriff so, dass die Vorsprünge am Werkzeuggehäuse in die Nuten des Griffs eingreifen. Drehen Sie den Griff im Uhrzeigersinn, um ihn zu sichern. Der Griff kann in jedem gewünschten Winkel fixiert werden.

► **Abb.6:** 1. Seitengriff

Schmierfett

Tragen Sie vor der Arbeit eine kleine Menge Schmierfett (etwa 0,5 - 1 g) auf das Schaftende des Bohrereinsatzes auf. Diese Fetterschmierung gewährleistet reibungslosen Betrieb und längere Lebensdauer.

Montage und Demontage des Bohrereinsatzes

Reinigen Sie das Schaftende des Bohrereinsatzes, und tragen Sie Schmierfett auf, bevor Sie den Bohrereinsatz montieren.

► **Abb.7:** 1. Schaftende 2. Schmierfett

Führen Sie den Bohrereinsatz in das Werkzeug ein. Drehen Sie den Bohrereinsatz, und drücken Sie ihn hinein, bis er einrastet.

Vergewissern Sie sich nach dem Montieren des Bohrereinsatzes immer, dass der Bohrereinsatz sicher sitzt, indem Sie versuchen, ihn herauszuziehen.

► **Abb.8:** 1. Bohrereinsatz

Um den Bohrereinsatz zu entfernen, ziehen Sie die Futterabdeckung vollständig nach unten, und ziehen Sie den Bohrereinsatz heraus.

► **Abb.9:** 1. Bohrereinsatz 2. Futterabdeckung

Tiefenanschlag

Der Tiefenanschlag ist praktisch, um Löcher von gleicher Tiefe zu bohren. Lösen Sie den Seitengriff, und führen Sie den Tiefenanschlag in das Loch im Seitengriff ein. Den Tiefenanschlag auf die gewünschte Bohrtiefe einstellen, und den Seitengriff fest anziehen.

► **Abb.10:** 1. Loch 2. Tiefenanschlag

HINWEIS: Vergewissern Sie sich beim Anbringen, dass der Tiefenanschlag nicht den Hauptteil des Werkzeugs berührt.

Staubfangteller

Sonderzubehör

Verwenden Sie bei Überkopf-Bohrarbeiten den Staubfangteller, um zu verhindern, dass Staub auf Sie und das Werkzeug fällt. Bringen Sie den Staubfangteller so am Einsatz an, wie in der Abbildung gezeigt. Der Staubfangteller kann an Einsätzen der folgenden Größen angebracht werden.

Modell	Einsatzdurchmesser
Staubfangteller 5	6 mm - 14,5 mm
Staubfangteller 9	12 mm - 16 mm

► **Abb.11:** 1. Staubfangteller

Staubfangtellersatz

Sonderzubehör

Installieren des Staubfangtellersatzes

ANMERKUNG: Wenn Sie den Staubfangtellersatz als Sonderzubehör kaufen, kann der standardmäßige Seitengriff nicht verwendet werden, wenn der Staubfangtellersatz am Werkzeug montiert ist. Wenn der Staubfangtellersatz am Werkzeug installiert ist, entfernen Sie den Griff vom standardmäßigen Seitengriff, und bringen Sie ihn am optionalen Griffbasissatz an.

► **Abb.12:** 1. Schraube 2. Griff 3. Optionaler Griffbasissatz

ANMERKUNG: Benutzen Sie den Staubfangtellersatz nicht, wenn Sie in Metall oder ähnlichem Material bohren. Der Staubfangtellersatz kann sonst durch die von feinem Metallstaub o. Ä. erzeugten Wärme beschädigt werden. Unterlassen Sie das Montieren oder Demontieren des Staubfangtellersatzes, wenn der Bohrereinsatz im Werkzeug montiert ist. Sonst kann der Staubfangtellersatz beschädigt und ein Staubeck verursacht werden.

Bevor Sie den Staubfangtellersatz anbringen, entfernen Sie den Einsatz vom Werkzeug, falls einer montiert ist.

1. Montieren Sie die Distanzhülse bei gleichzeitigem Erweitern so, dass die Vorsprünge am Werkzeuggehäuse in die Nuten der Distanzhülse eingreifen. Achten Sie darauf, dass sich die Feder nicht aus dem Schlitz der Distanzhülse löst.

► **Abb.13:** 1. Distanzhülse 2. Feder

► **Abb.14**

2. Montieren Sie den Seitengriff (optionaler Griffbasissatz und Griff vom standardmäßigen Seitengriff entfernt) so, dass der Vorsprung an der Distanzhülse in die Nut des Griffs eingreift. Drehen Sie den Griff im Uhrzeigersinn, um ihn zu sichern.

► **Abb.15:** 1. Seitengriff

3. Montieren Sie den Staubfangtellersatz so, dass die Klauen des Staubfangtellers in die Schlitze der Distanzhülse eingreifen.

► **Abb.16:** 1. Staubfangteller 2. Klauen

HINWEIS: Wenn Sie ein Sauggerät an den Staubfangtellersatz anschließen, entfernen Sie den Staubfangteller vor dem Anschließen.

► **Abb.17:** 1. Staubkappe

Demontieren des Bohrereinsatzes

Um den Bohrereinsatz zu entfernen, ziehen Sie die Futterabdeckung vollständig nach unten, und ziehen Sie den Bohrereinsatz heraus.

► **Abb.18:** 1. Einsatz 2. Futterabdeckung

Demontieren des Staubfangtellersatzes

Folgen Sie den nachstehenden Schritten zum Demontieren des Staubfangtellersatzes.

1. Lösen Sie den Seitengriff.

► **Abb.19:** 1. Seitengriff

2. Halten Sie den Staubfangteller am Ansatz, und ziehen Sie ihn heraus.

► **Abb.20:** 1. Staubfangteller

HINWEIS: Falls das Demontieren des Staubfangtellersatzes schwierig ist, entfernen Sie die Klauen des Staubfangtellers nacheinander, indem Sie den Ansatz des Staubfangtellers schwenken und ziehen.

HINWEIS: Falls sich die Kappe vom Staubfangteller löst, bringen Sie sie mit der bedruckten Seite nach oben so an, dass die Nut der Kappe auf den Innenrand des Aufsatzes passt.

► **Abb.21**

BETRIEB

⚠ VORSICHT: Montieren Sie stets den Seitengriff (Zusatzgriff), und halten Sie das Werkzeug während der Arbeit mit beiden Händen am Seitengriff und Schaltergriff fest.

⚠ VORSICHT: Vergewissern Sie sich vor der Arbeit immer, dass das Werkstück gesichert ist.

► Abb.22

Hammerbohren

⚠ VORSICHT: Beim Durchbruch der Bohrung, bei Verstopfung der Bohrung mit Spänen und Partikeln, oder beim Auftreffen auf Betonstahl wirkt eine starke, plötzliche Drehkraft auf Werkzeug und Bohrereinsatz. **Montieren Sie stets den Seitengriff (Zusatzgriff), und halten Sie das Werkzeug während der Arbeit mit beiden Händen am Seitengriff und Schaltergriff fest.** Eine Missachtung dieser Vorsichtsmaßnahme kann den Verlust der Kontrolle über das Werkzeug und mögliche schwere Verletzungen zur Folge haben.

Stellen Sie den Betriebsart-Umschaltknopf auf die Position des Symbols .

Setzen Sie den Bohrereinsatz auf die gewünschte Bohrstelle, und drücken Sie dann den Auslöseschalter. Üben Sie keinen übermäßigen Druck auf das Werkzeug aus. Leichter Druck liefert die besten Ergebnisse. Halten Sie das Werkzeug in Position, und vermeiden Sie Abrutschen vom Loch.

Üben Sie keinen stärkeren Druck aus, wenn das Bohrloch mit Spänen oder Bohrmehl zugesetzt wird. Lassen Sie statt dessen das Werkzeug leer laufen, und ziehen Sie dann den Bohrereinsatz teilweise aus dem Bohrloch heraus. Durch mehrmaliges Wiederholen dieses Vorgangs wird das Bohrloch ausgeräumt, so dass der normale Bohrbetrieb fortgesetzt werden kann.

HINWEIS: Es kann zu einer Rundlaufabweichung in der Bohrereinsatzdrehung kommen, wenn das Werkzeug mit Nulllast betrieben wird. Während des Betriebs zentriert sich das Werkzeug automatisch. Dies hat keinen Einfluss auf die Bohrgenauigkeit.

Bohren in Holz oder Metall


⚠ VORSICHT: Halten Sie daher das Werkzeug mit festem Griff und lassen Sie Vorsicht walten, wenn der Bohrereinsatz im Begriff ist, aus dem Werkstück auszutreten. Beim Bohrungsdurchbruch wirkt ein hohes Rückdrehmoment auf Werkzeug und Bohrereinsatz.

⚠ VORSICHT: Ein feststehender Bohrereinsatz lässt sich durch einfaches Umschalten der Drehrichtung wieder herausdrehen. Dabei sollten Sie aber das Werkzeug gut festhalten, damit es nicht ruckartig herausgestoßen wird.

⚠ VORSICHT: Spannen Sie Werkstücke stets in einen Schraubstock oder eine ähnliche Aufspanvorrichtung ein.

ANMERKUNG: Verwenden Sie keinesfalls die Betriebsart „Schlagbohren“, wenn das Bohrfutter am Werkzeug angebracht ist. Das Bohrfutter kann sonst beschädigt werden. Außerdem löst sich das Bohrfutter beim Umschalten der Drehrichtung.

ANMERKUNG: Übermäßige Druckausübung auf das Werkzeug bewirkt keine Beschleunigung der Bohrleistung. Im Gegenteil; übermäßiger Druck führt zu einer Beschädigung der Spitze des Bohrereinsatzes und damit zu einer Verringerung der Leistungsfähigkeit sowie zu einer Verkürzung der Lebensdauer des Werkzeugs.

Stellen Sie den Betriebsart-Umschaltknopf auf die Position des Symbols .

Bringen Sie den Futteradapter an einem schlüssellosen Bohrfutter an, an dem eine Schraube der Größe 1/2"-20 montiert werden kann, und montieren Sie dann die Teile am Werkzeug. Nehmen Sie zur Montage auf den Abschnitt „Montage und Demontage des Bohrereinsatzes“ Bezug.

► Abb.23: 1. Schlüsselloses Bohrfutter
2. Futteradapter

Ausblaspipette

Sonderzubehör

Blasen Sie den Staub nach dem Bohren des Lochs mit einer Ausblaspipette aus dem Loch.

► Abb.24

Verwendung des Staubfangtellersatzes

Sonderzubehör

Halten Sie den Staubfangtellersatz beim Betreiben des Werkzeugs gegen die Decke.

► Abb.25

ANMERKUNG: Benutzen Sie den Staubfangtellersatz nicht, wenn Sie in Metall oder ähnlichem Material bohren. Der Staubfangtellersatz kann sonst durch die von feinem Metallstaub o. Ä. erzeugten Wärme beschädigt werden.

ANMERKUNG: Unterlassen Sie das Montieren oder Demontieren des Staubfangtellersatzes, wenn der Bohrereinsatz im Werkzeug montiert ist. Sonst kann der Staubfangtellersatz beschädigt und ein Staubleck verursacht werden.

WARTUNG

⚠ VORSICHT: Vergewissern Sie sich vor der Durchführung von Inspektions- oder Wartungsarbeiten stets, dass das Werkzeug ausgeschaltet und der Akku abgenommen ist.

ANMERKUNG: Verwenden Sie auf keinen Fall Benzin, Waschbenzin, Verdünner, Alkohol oder dergleichen. Solche Mittel können Verfärbung, Verformung oder Rissbildung verursachen.

Um die SICHERHEIT und ZUVERLÄSSIGKEIT dieses Produkts zu gewährleisten, sollten Reparaturen und andere Wartungs- oder Einstellarbeiten nur von Makita-Vertragswerkstätten oder Makita-Kundendienstzentren unter ausschließlicher Verwendung von Makita-Originalersatzteilen ausgeführt werden.

SONDERZUBEHÖR

⚠ VORSICHT: Die folgenden Zubehörteile oder Vorrichtungen werden für den Einsatz mit dem in dieser Anleitung beschriebenen Makita-Werkzeug empfohlen. Die Verwendung anderer Zubehörteile oder Vorrichtungen kann eine Verletzungsgefahr darstellen. Verwenden Sie Zubehörteile oder Vorrichtungen nur für ihren vorgesehenen Zweck.

Wenn Sie weitere Einzelheiten bezüglich dieser Zubehörteile benötigen, wenden Sie sich bitte an Ihre Makita-Kundendienststelle.

- Bohrereinsätze mit Hartmetallschneide (SDS-plus-Einsätze mit Hartmetallschneide)
- Bohrkronen
- Diamant-Bohrkronen
- Futteradapter
- Schlüssellooses Bohrfutter
- Bohrerfett
- Tiefenanschlag
- Ausblaspipette
- Staubfangteller
- Staubfangtellersatz
- Griffbasissatz
- Schutzbrille
- Plastikkoffer

HINWEIS: Manche Teile in der Liste können als Standardzubehör im Werkzeugsatz enthalten sein. Sie können von Land zu Land unterschiedlich sein.

Makita Europe N.V. Jan-Baptist Vinkstraat 2,
3070 Kortenberg, Belgium

Makita Corporation 3-11-8, Sumiyoshi-cho,
Anjo, Aichi 446-8502 Japan

www.makita.com

885579C973
EN, PL, HU, SK,
CS, UK, RO, DE
20180205