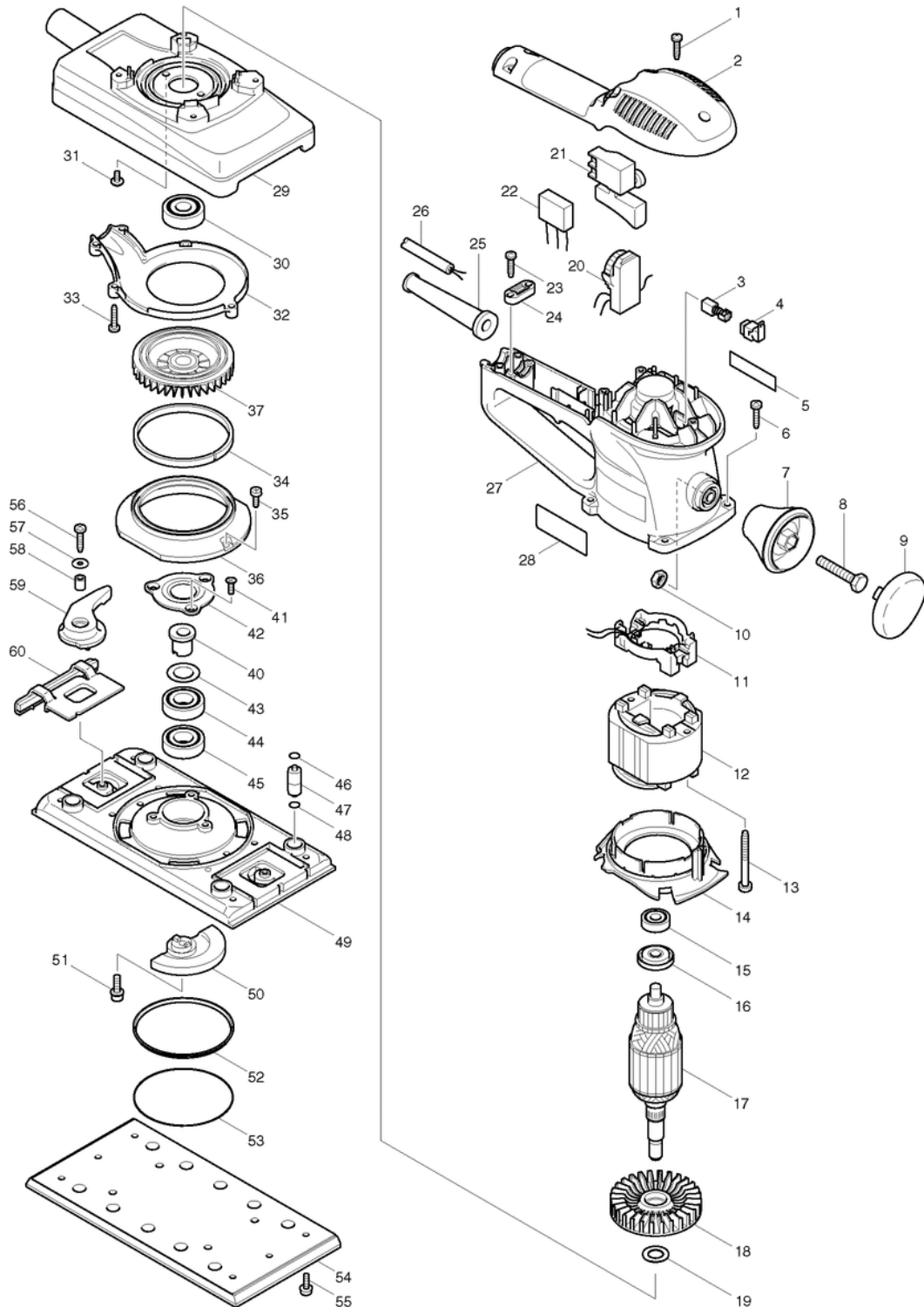




Makita Service Information / Model: B04900V





Makita Werkzeug Ges.m.b.H.

Airportstr. 4, 2401 Fischamend

Tel: 02232 / 777 00

Fax: 02232 / 777 00 - 40

Mail: verkauf@makita.at

Web: www.makita.at

Makita Service Information / Model: BO4900V

POS	Bestell-Nr.	Artikelbeschreibung	Stk.	Stk.Preis
1	265995-6	SKRUTKA SAMOREZNÁ 4x18	5	N/A
2	417778-2	TOP COVER	1	N/A
3	191962-4	UHLÍKY CB-419 (CB-406/407)1187	1	N/A
4	643923-5	DRZIAK UHLIKOV UH4620/5260	2	N/A
5	819063-3	MAKITA LABEL	1	N/A
6	266042-6	SKRUTKA SAMOREZNÁ CT 4x20	4	N/A
7	417774-0	KNOB	1	N/A
8	921467-8	HEX. BOLT M8x45	1	N/A
9	417775-8	KNOB COVER	1	N/A
10	931403-6	MATICA M8 931403-6	1	N/A
11	638135-3	SUPPORT COMPLETE	1	N/A
12	634464-2	FIELD 230-240 V	1	N/A
13	266046-8	SKRUTKA SAMOREZNÁ 5x50	2	N/A
14	417777-4	BAFFLE PLATE	1	N/A
15	210005-4	LOŽISKO GULIČKOVÉ 608DDW	1	N/A
16	681644-1	IZOLACNA PODLOZKA 681644-1	1	N/A
17	513504-8	KOTVA UPLNA 220 V-240V BO4900V	1	N/A
17		*** INC. 15,16,18		N/A
18	240043-2	KOLESO VENTILÁTORA 70 BO6030/BO4900V	1	N/A
19	253744-3	PODLOŽKA 12	1	N/A
20	631482-1	CONTROLLER	1	N/A
21	651286-5	VYPINAC SGEL206C-5	1	N/A
22	645253-0	ODRUSOVACI KONDENZATOR	1	N/A
23	265995-6	SKRUTKA SAMOREZNÁ 4x18	2	N/A
24	687063-9	ODLAHCENIE TAHU SNURY	1	N/A
25	682502-4	CHRANIC SNURY 8-85	1	N/A
26	666855-9	POWER SUPPLY CORD 1.0-2-4.0	1	N/A
27	183419-9	MOTOR HOUSING	1	N/A
27		*** INC. 5		N/A
28	853497-0	NAME PLATE BO4900V	1	N/A
29	317538-1	FRAME	1	N/A
30	211129-9	LOŽISKO GULIČKOVÉ 6201DDW	1	N/A
31	251291-8	SKRUTKA M4x8 BO6030/BO4900V	2	N/A
32	417773-2	SCROLL COVER	1	N/A
33	266042-6	SKRUTKA SAMOREZNÁ CT 4x20	5	N/A
34	443108-1	FILC. KRUIH 6x225x3 BO3700/4900	1	N/A
35	266026-4	SKRUTKA 4x12	2	N/A
36	417772-4	DUST GUIDE	1	N/A
37	240051-3	KOLESO VENTILÁTORA 78 BO4900V	1	N/A
40	313104-2	PUZDRO BO4900V	1	N/A



Makita Werkzeug Ges.m.b.H.

Airportstr. 4, 2401 Fischamend

Tel: 02232 / 777 00

Fax: 02232 / 777 00 - 40

Mail: verkauf@makita.at

Web: www.makita.at

Makita Service Information / Model: BO4900V

POS	Bestell-Nr.	Artikelbeschreibung	Stk.	Stk.Preis
41	266058-1	SKRUTKA SAMOREZNÁ 4x12 9031	3	N/A
42	162171-2	KRYT GULIČKOVÉHO LOŽISKA 24	1	N/A
43	253315-6	PODLOŽKA 15	1	N/A
44	211201-7	LOŽISKO GULIČKOVÉ 6002LLB	1	N/A
45	211201-7	LOŽISKO GULIČKOVÉ 6002LLB	1	N/A
46	213047-7	O-KRÚŽOK 4 BO3700/BO4900V	4	N/A
47	317535-7	FOOT	4	N/A
48	213047-7	O-KRÚŽOK 4 BO3700/BO4900V	4	N/A
49	317537-3	DOSKA ZÁKLADNÁ BO4900V	1	N/A
50	317536-5	BALANCER	1	N/A
51	266071-9	SKRUTKA IMBUSOVÁ M5x16	1	N/A
52	345211-3	KRYTKA BO4900V	1	N/A
53	213755-0	O-KRÚŽOK 75 HM1400/BO5010	1	N/A
54	193521-0	DOSKA BRÚSNA BO4900V	1	N/A
55	911118-1	SKRUTKA M4x12	8	N/A
56	266042-6	SKRUTKA SAMOREZNÁ CT 4x20	2	N/A
57	253874-0	PODLOŽKA 4 9741/BO4900V	2	N/A
58	257659-6	OBJÍMKA 4 9046/BO4900V	2	N/A
59	153361-8	PREPÍNAČ BO4900V	2	N/A
60	153362-6	DRŽIAK PAPIERA BO4900V	2	N/A
1001	193294-5	PAPER DUST BAG HOLDER	1	N/A
1002	193293-7	PAPER DUST BAG	1	N/A
1003	A-14093	ABRASIVE PAPER 115-120 /STD	1	N/A
1004	821550-0	CONNECTOR PLASTIC CASE (TYPE2)	1	N/A
1004.2	821550-0	CONNECTOR PLASTIC CASE (TYPE2)	1	N/A
1005	837675-0	INNER TRAY	1	N/A
1006	800V58-9	BO4900VJ INDICATION LABEL	1	N/A
1007	800V59-7	BO4900VJ PLASTIC CASE LABEL	2	N/A