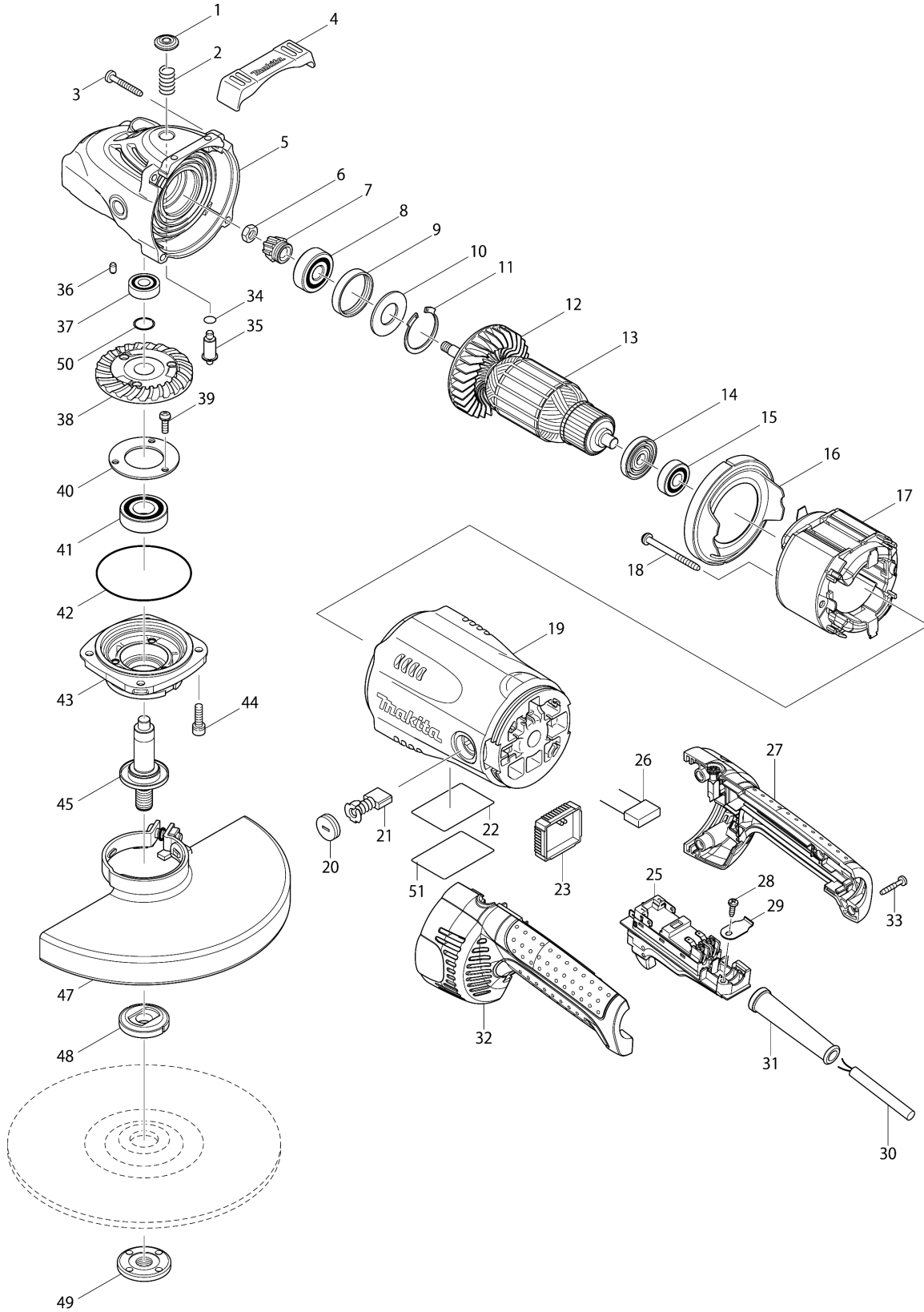


Model No.GA9020R 230MM ANGLE GRINDER



Model No.GA9020R 230MM ANGLE GRINDER

Položka	Objednávacie číslo	Popis	Zmena	ks	New/Old	Možnosť 1	Možnosť 2	Poznámka
001A	419133-4	PIN CAP		1				
001B	419133-4	PIN CAP		1				
001-2C	419133-4	PIN CAP		1				
002	233292-8	COMPRESSION SPRING 12		1				
003A	266373-3	TAPPING SCREW 5X35		4	*			
003B	266373-3	TAPPING SCREW 5X35		4	*			
003-1A	266012-5	TAPPING SCREW 5X35	O	4				
003-1B	266012-5	TAPPING SCREW 5X35	O	4				
003-1C	266012-5	TAPPING SCREW 5X35		4				
004	419144-9	BUMPER		1				
005A	154685-5	GEAR HOUSING COMPLETE		1	*			
C10	262118-7	FELT RING 18		1	*			
005B	154685-5	GEAR HOUSING COMPLETE		1	*			
C10	262118-7	FELT RING 18		1	*			
005-1A	142754-4	GEAR HOUSING COMPLETE	<	1				
C10	262118-7	FELT RING 18		1				
005-1B	142754-4	GEAR HOUSING COMPLETE	<	1				
C10	262118-7	FELT RING 18		1				
005-2C	154685-5	GEAR HOUSING COMPLETE		1	*			
C10	262118-7	FELT RING 18		1	*			
005-3C	142754-4	GEAR HOUSING COMPLETE	<	1				
C10	262118-7	FELT RING 18		1				
006	252194-9	HEX. NUT M8		1				
007	227490-4	SPIRAL BEVEL GEAR 12		1				
008	211132-0	BALL BEARING 6301DDW		1				
009	262085-6	RUBBER RING 38		1				
010	267299-2	FLAT WASHER 20		1				
011	962211-4	RETAINING RING R-42		1				
012	240081-4	FAN 80		1				
013A	510125-7	ARMATURE ASS'Y 220V		1				
D10		INC. 12,14,15						
013B	510125-7	ARMATURE ASS'Y 220V		1				
D10		INC. 12,14,15						
013-1C	517793-7	ARMATURE ASS'Y 220V		1				
D10		INC. 12,14,15						
014	681630-2	INSULATION WASHER		1				
015A	211087-9	BALL BEARING 6200DDW		1				
015B	211087-9	BALL BEARING 6200DDW		1				
015C	210075-3	BALL BEARING 6200DDW		1				
016	419135-0	BAFFLE PLATE		1				
017A	526214-8	FIELD ASSEMBLY 240V		1				
C10	654197-3	RING TERMINAL		2				
C20	654502-4	CONNECTOR P-2		2				
017B	526214-8	FIELD ASSEMBLY 240V		1				
C10	654197-3	RING TERMINAL		2				

Please order the parts with part number.

Print Date 4/11/2021

Model No.GA9020R 230MM ANGLE GRINDER

Položka	Objednávacie číslo	Popis	Zmena	ks	New/Old	Možnosť 1	Možnosť 2	Poznámka
C20	654502-4	CONNECTOR P-2		2				
017-2C	526179-4	FIELD ASS'Y 240V		1				
C10	654197-3	RING TERMINAL		2				
C20	654502-4	CONNECTOR P-2		2				
018A	266329-6	TAPPING SCREW 5X60		2	*			
018B	266329-6	TAPPING SCREW 5X60		2	*			
018-1A	266044-2	TAPPING SCREW 5X60	O	2				
018-1B	266044-2	TAPPING SCREW 5X60	O	2				
018-1C	266044-2	TAPPING SCREW 5X60		2				
019	154671-6	MOTOR HOUSING COMPLETE		1				
C10	643712-8	BRUSH HOLDER		2				
020	643700-5	BRUSH HOLDER CAP 7-18		2				
021	191957-7	A.C. CARBON BRUSH CB-204		1				
022A	867513-2	GA9020R NAME PLATE		1				
022B	867513-2	GA9020R NAME PLATE		1				
022C	861762-3	GA9020 NAME PLATE		1				
023A	631944-9	CONTROLLER		1				
023B	631944-9	CONTROLLER		1				
025A	650107-8	SWITCH TG08-2300-013		1				
025B	650107-8	SWITCH TG08-2300-013		1				
025-2C	650102-8	SWITCH TG08-1200-011		1				
026	645088-9	NOISE SUPPRESSOR		1				
027A	188844-9	HANDLE SET		1				
C10	423404-3	SPONGE SHEET		1				
C20	451488-1	LENS		1				
027B	188844-9	HANDLE SET		1				
C10	423404-3	SPONGE SHEET		1				
C20	451488-1	LENS		1				
027C	188059-8	HANDLE SET		1				
C10	423350-0	SPONGE SHEET		1				
D10		INC. 32						
028A	266385-6	TAPPING SCREW 4X14		1	*			
028B	266385-6	TAPPING SCREW 4X14		1	*			
028-1A	266192-7	TAPPING SCREW 4X14	O	1				
028-1B	266192-7	TAPPING SCREW 4X14	O	1				
028-1C	266192-7	TAPPING SCREW 4X14		1				
029	687169-3	STRAIN RELIEF		1				
030	695107-1	POWER SUPPLY CORD 1.5-2-2.5		1				
031	682560-0	CORD GUARD 10		1				
032A	188844-9	HANDLE SET		1				
C10	423404-3	SPONGE SHEET		1				
C20	451488-1	LENS		1				
032B	188844-9	HANDLE SET		1				
C10	423404-3	SPONGE SHEET		1				

Please order the parts with part number.

Print Date 4/11/2021

Model No.GA9020R 230MM ANGLE GRINDER

Položka	Objednávacie číslo	Popis	Zmena	ks	New/Old	Možnosť 1	Možnosť 2	Poznámka
C20	451488-1	LENS		1				
032C	188059-8	HANDLE SET		1				
C10	423350-0	SPONGE SHEET		1				
D10		INC. 27						
033A	266374-1	TAPPING SCREW 4X25		4	*			
033B	266374-1	TAPPING SCREW 4X25		4	*			
033-1A	265999-8	TAPPING SCREW 4X25	O	4				
033-1B	265999-8	TAPPING SCREW 4X25	O	4				
033-1C	265999-8	TAPPING SCREW 4X25		4				
034	213062-1	O RING 9		1				
035A	256491-5	SHOULDER PIN 5		1				
035B	256491-5	SHOULDER PIN 5		1				
035-2C	256491-5	SHOULDER PIN 5		1				
036	263002-9	RUBBER PIN 4		1				
037A	211061-7	BALL BEARING 6000LLB		1				
037B	211061-7	BALL BEARING 6000LLB		1				
037C	210067-2	BALL BEARING 6000ZZ		1				
038	227491-2	SPIRAL BEVEL GEAR 53 A		1				
039	265120-9	PAN HEAD SCREW M5X16		3				
040	285724-1	BEARING RETAINER 50		1				
041A	211278-2	BALL BEARING 6203DDW		1				
041B	211278-2	BALL BEARING 6203DDW		1				
041C	211285-5	BALL BEARING 6203DDW		1				
042	213760-7	O RING 78		1				
043A	318377-2	BEARING BOX		1				
043B	318377-2	BEARING BOX		1				
043-1C	318377-2	BEARING BOX		1				
044	265541-5	HEX. SOCKET HEAD BOLT M6X22		4				
045A	158206-5	SPINDLE COMPLETE		1				
C10	345629-8	LABYRINTH RING 25		1				
045B	158206-5	SPINDLE COMPLETE		1				
C10	345629-8	LABYRINTH RING 25		1				
045-1C	158206-5	SPINDLE COMPLETE		1				
C10	345629-8	LABYRINTH RING 25		1				
046-1C	265198-2	+PAN HEAD SCREW M8X25		1				
047A	122891-0	WHEEL COVER 230K ASSEMBLY		1				
C10	213017-6	O RING 6		1	*			
C11	213775-4	O-RING 7	O	1				
C20	265198-2	+PAN HEAD SCREW M8X25		1				
047B	122891-0	WHEEL COVER 230K ASSEMBLY		1				
C10	213017-6	O RING 6		1	*			
C11	213775-4	O-RING 7	O	1				
C20	265198-2	+PAN HEAD SCREW M8X25		1				

Please order the parts with part number.

Print Date 4/11/2021

Model No.GA9020R 230MM ANGLE GRINDER

Položka	Objednávacie číslo	Popis	Zmena	ks	New/Old	Možnosť 1	Možnosť 2	Poznámka
047-1C	122891-0	WHEEL COVER 230K ASSEMBLY		1				
C11	213775-4	O-RING 7		1				
D10		INC. 46						
048A	224415-9	INNER FLANGE 42		1				
048B	122444-5	INNER FLANGE 47 ASS'Y		1				
048C	122444-5	INNER FLANGE 47 ASS'Y		1				
049	224543-0	LOCK NUT 14-45		1				
050A	233946-7	RING SPRING 15		1				
050B	233946-7	RING SPRING 15		1				
050C	233946-7	RING SPRING 15		1				
051A	819357-6	CLEAR LABEL		1	*			
051B	819357-6	CLEAR LABEL		1	*			
051-1	804Y42-4	CLEAR LABEL		1	*			
A01	152539-0	GRIP 36 COMPLETE		1				
A02	782407-9	LOCK NUT WRENCH 35		1	*			
A02-1	197610-3	LOCK NUT WRENCH 35 SET	O	1				
A03C	824958-7	PLASTIC CARRYING CASE		1				
C10	163455-1	LATCH		2				
A04C	807F47-9	GA9020RKX1 MODEL NO. LABEL		1				
A05C	D-18487	GRINDING WHEEL 230X6 A24R		3				

Please order the parts with part number.

Print Date 4/11/2021