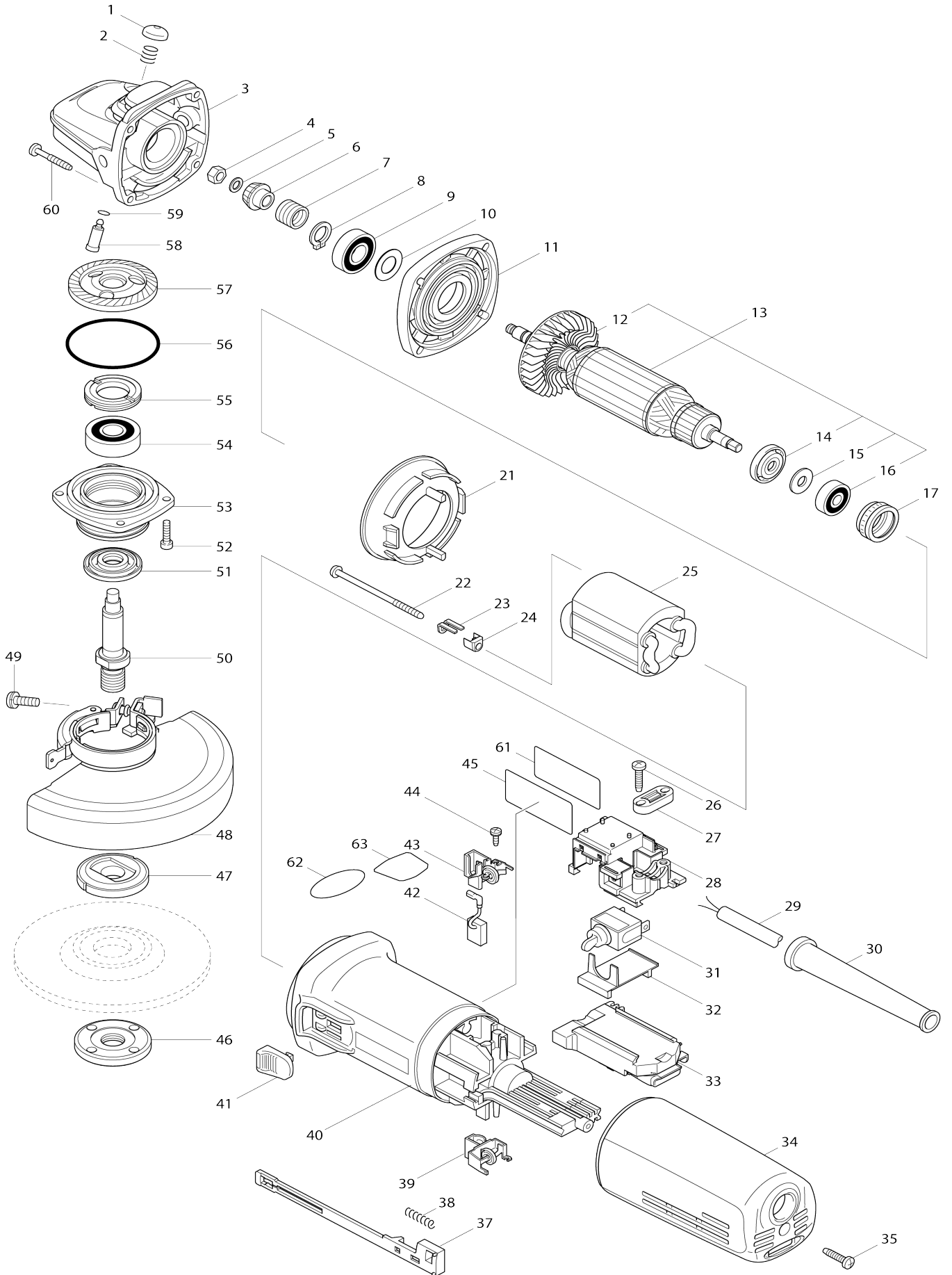


Model No.9565HR 125MM ANGLE GRINDER



Model No.9565HR 125MM ANGLE GRINDER

Item No.	Parts No.	Description	Interchangability	Q'ty	New/Old	Note1	Note2
001	418067-8	PIN CAP		1			
002	233072-2	COMPRESSION SPRING 8		1	*		
002-1	233376-2	COMPRESSION SPRING 8	O	1			
003	153488-4	GEAR HOUSING COMPLETE		1			
004	931303-0	HEX. NUT M6		1			
005	253077-6	FLAT WASHER 6		1			
006	226794-1	SPIRAL BEVEL GEAR 11		1	*		
006-1	227513-8	SPIRAL BEVEL GEAR 11	S	1			
007	233901-9	LOCK SPRING 12		1			
008	961052-5	RETAINING RING (EXT) S-12		1			
009	211142-7	BALL BEARING 6001LLB		1			
010	253084-9	FLAT WASHER 12		1			
011	317359-1	GEAR HOUSING COVER		1			
012	240033-5	FAN 57		1			
013	515234-7	ARMATURE ASS'Y 240V		1			
D10		INC. 12,14-16					
014	681656-4	INSULATION WASHER		1			
015	253823-7	FLAT WASHER 7		1			
016	210027-4	BALL BEARING 627DDW		1			
017	421738-8	LABYRINTH RUBBER RING 22		1	*		
017-1	422750-1	LABYRINTH RUBBER RING 22	<	1			
021	413076-2	BAFFLE PLATE		1			
022	266258-3	TAPPING SCREW 4X70		2			
023	344871-8	RETAINER		2			
024	417237-6	INSULATION COVER		2	*		
025	626564-2	FIELD 230-240V		1	*		
025-1	621C09-3	FIELD 230-240V	S	1			
026	265995-6	TAPPING SCREW 4X18		2			
027	687124-5	STRAIN RELIEF		1			
028	638635-3	SWITCH BLOCK		1			
029	665394-6	POWER SUPPLY CORD 1.0-2-2.5		1			
030	682559-5	CORD GUARD 8		1			
031	651418-4	SWITCH ST115A-40		1	*		
031-1	651418-4	SWITCH ST115A-40	O	1			
032	687113-0	COVER		1			
033	620335-9	CONTROLLER		1	*		
033-1	620G07-8	CONTROLLER	<	1			
034	417185-9	REAR COVER		1			
035	265995-6	TAPPING SCREW 4X18		1			
037	417186-7	SWITCH LEVER		1			
038	233071-4	COMPRESSION SPRING 4		1			
039	643760-7	BRUSH HOLDER		1			
040	453276-2	MOTOR HOUSING		1			
041	417813-6	SWITCH KNOB		1			
042	194074-2	CARBON BRUSH CB-325		1			
043	643760-7	BRUSH HOLDER		1			
044	266256-7	TAPPING SCREW PT3X10		4			

045	850M51-9	9565HR NAME PLATE		1		
046	224554-5	LOCK NUT 14-45		1		
047	224415-9	INNER FLANGE 42		1		
048	123145-8	TOOLLESS WHEELCOVER 125AK ASSY		1	*	
C10	213009-5	O RING 4		1	*	
D10		INC. 49				
048-1	141P36-7	TOOLLESS WHEEL COVER 125AK CMP	<	1	*	
C10	213009-5	O RING 4		1	*	
C20	8050A1-8	CAUTION LABEL		1	*	
D10		INC. 49				
048-2	123145-8	TOOLLESS WHEELCOVER 125AK ASSY	<	1	*	
C10	213009-5	O RING 4		1	*	
D10		INC. 49				
048-3	141P36-7	TOOLLESS WHEEL COVER 125AK CMP	<	1		
C10	213009-5	O RING 4		1	*	
C20	8050A1-8	CAUTION LABEL		1		
D10		INC. 49				
049	265180-1	PAN HEAD SCREW M5X16		1		
050	324035-0	SPINDLE		1		
051	415300-9	LABYRINTH RING		1		
052	265490-6	HEX. SOCKET HEAD BOLT M4X16		4		
053	318334-0	BEARING BOX		1		
054	211129-9	BALL BEARING 6201DDW		1		
055	285841-7	BEARING RETAINER		1		
056	213673-2	O RING 52		1		
057	227427-1	SPIRAL BEVEL GEAR 38		1	*	
057-1	227631-2	SPIRAL BEVEL GEAR 38	S	1		
058	256459-1	PIN		1		
059	213048-5	O RING 6		1		
060	266257-5	TAPPING SCREW 4X28		4		
061	805W65-3	CLEAR LABEL		1	*	
063	813900-3	SJS MARK LABEL		1	*	
A01	153489-2	GRIP 36 COMPLETE		1		
A02	782423-1	LOCK NUT WRENCH 35		1		
A03	D-18465	GRINDING WHEEL 125X6 A24R		1		
A13	199710-5	CUTTING W.C.A. 125 SET		1		
F03	194514-0	VIBRATION PROOF GRIP SET		1		
F05-1	195239-9	115/125MM DUST COVER K SET	<	1	*	
F39	191W06-8	115/125MM DUST COVER K SET		1		
C10	743129-6	BRUSH A		1		
C20	743130-1	BRUSH B		1		
048	123099-9	WHEEL COVER 125AK ASSEMBLY		1	*	
048-1	141P28-6	WHEEL COVER 125AK COMPLETE	<	1	*	
048-2	123099-9	WHEEL COVER 125AK ASSEMBLY	<	1	*	
048-3	141P28-6	WHEEL COVER 125AK COMPLETE	<	1		

Please state Parts No. when your order.

Print Date 02. 07. 2024