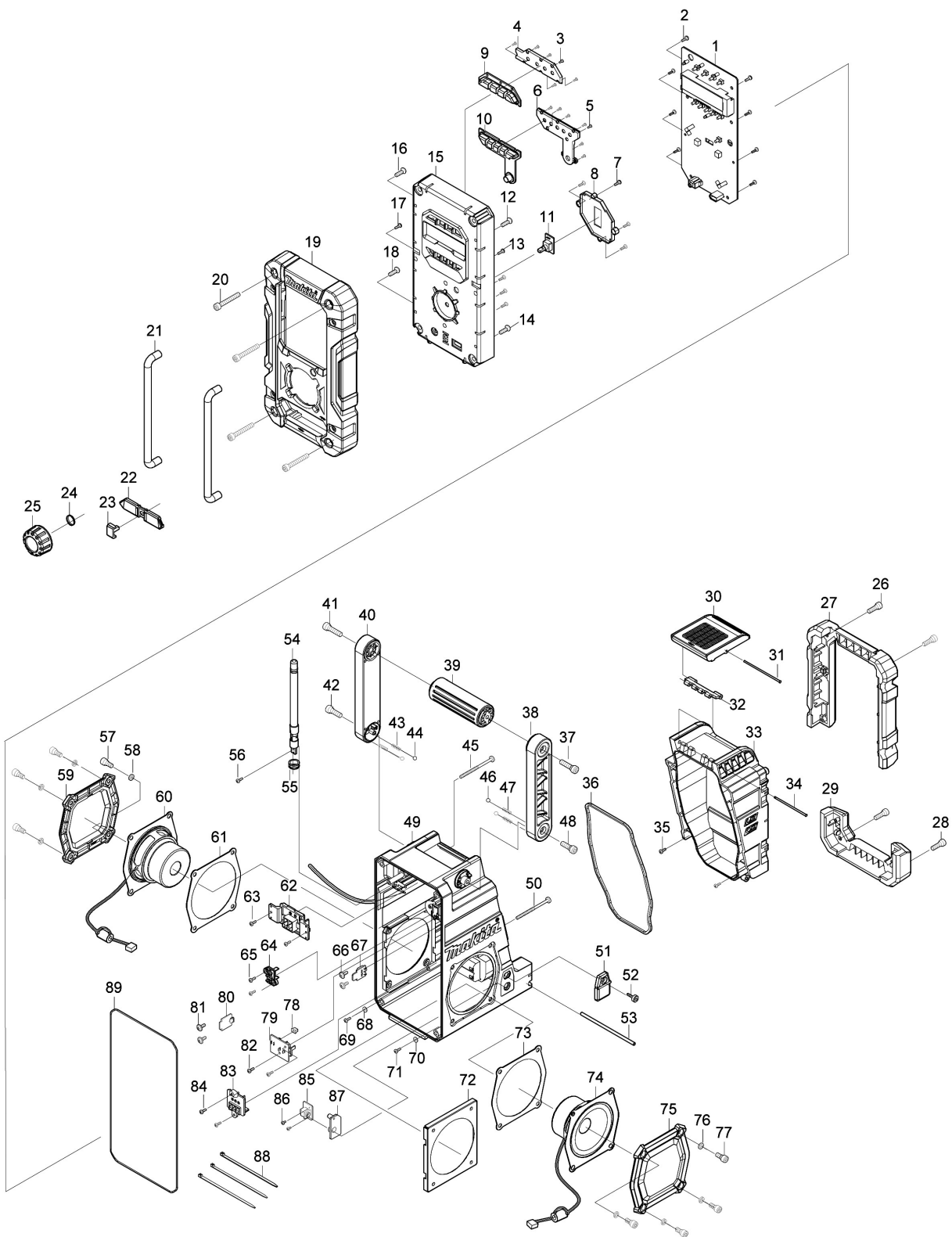


Model No.DMR112 JOB SITE RADIO



Model No.DMR112 JOB SITE RADIO

Položka	Objednávacie číslo	Popis	Zmena	ks	New/Old	Možnosť 1	Možnosť 2	Poznámka
001	SE00000658	PCB A ASS'Y		1	*			
001-1	SE00000658	PCB A ASS'Y	<	1				
002	SE00000325	SCREW PTB 3X8(NI)		8				
003	SE09090011	SCREW 1.7		5				
004	SE00000659	POWER BUTTON HOLDER		1				
005	SE09090011	SCREW 1.7		7				
006	SE00000660	PRESET BUTTON HOLDER		1				
007	SE00000325	SCREW PTB 3X8(NI)		4				
008	SE00000656	KNOB LENS HOLDER		1				
009	SE00000661	POWER BUTTON		1				
010	SE00000662	PRESET BUTTON		1				
011	SE00000663	PCB P ENCODER ASS'Y		1				
012	SE09064161	SCREW M4X16		1				
013	SE00000325	SCREW PTB 3X8(NI)		4				
014	SE09064161	SCREW M4X16		1				
015	SE00000664	FRONT CABINET ASS'Y(CE)		1				
016	SE09064161	SCREW M4X16		1				
017	SE00000325	SCREW PTB 3X8(NI)		1				
018	SE09064161	SCREW M4X16		1				
019	SE00000666	FRONT BUMPER		1				
020	SE00000160	SCREW PTHE6X47(CR)		4				
021	SE0338PC5Z	FRONT BAR		2				
022	SE00000355	JACK RUBBER COVER		1				
023	SE00000356	JACK COVER		1				
024	SE21B1110A	ROTARY KNOB RING		1				
025	SE00000482	ROTARY KNOB (BLK)		1				
026	SE09176166	HEX SCREW M6X16		2				
027	SE00000357	BATTERY BUMPER		1				
028	SE09176166	HEX SCREW M6X16		2				
029	SE00000359	REAR BUMPER		1				
030	SE00000362	LOCKER COVER		1				
031	SE00000364	LOCKER FIXER PIN 73.5MM		1				
032	SE00000365	LOCK HINGER		1				
033	SE00000483	BATTERY COVER		1				
034	SE00000369	LOCKER FIXER PIN 64.5MM		1				
035	SE00000325	SCREW PTB 3X8(NI)		2				
036	SE00000371	BATTERY COVER PACKING		1				
037	SE00000176	SCREW PTHE6X20(CR)		1				
038	SE00000177	HANDLE HOLDER(R)		1				
039	SE00000179	HANDLE		1				
040	SE00000180	HANDLE HOLDER (L)		1				
041	SE00000176	SCREW PTHE6X20(CR)		1				
042	SE09176166	HEX SCREW M6X16		1				
043	SE00000184	SPRING		2				
044	SE09994007	STEEL BALL		2				

Please order the parts with part number.

Print Date 1/3/2019

Model No.DMR112 JOB SITE RADIO

Položka	Objednávacie číslo	Popis	Zmena	ks	New/Old	Možnosť 1	Možnosť 2	Poznámka
045	SE00000445	SCREW PTB 3X45(NI)		1				
046	SE09994007	STEEL BALL		2				
047	SE00000184	SPRING		2				
048	SE09176166	HEX SCREW M6X16		1				
049	SE00000667	REAR CABINET ASS'Y(CE)		1				
050	SE00000445	SCREW PTB 3X45(NI)		1				
051	SE00000403	DC RUBBER COVER		1				
052	SE00000404	SCREW PTHE 3X14(CR)		1				
053	SE021PC030	BATTERY COVER LOCKER		1				
054	SE00000669	RUBBER ANT 88-108/174-240 (BLK)		1				
055	SE00000398	ROD ANT PACKING		1				
056	SE00000325	SCREW PTB 3X8(NI)		1				
057	SE9076146A	HEX SCREW M6X14		4				
058	SE024J9040	PACKING		4				
059	SE00000408	SPEAKER PANEL ASS'Y		1				
060	SE00000670	SPEAKER RIGHT ASS'Y(Y)		1				
061	SE00000406	SPEAKER PACKING		1				
062	SE00000416	TERMINAL E (B)		1				
063	SE00000325	SCREW PTB 3X8(NI)		2				
064	SE00000200	TERMINAL C		1				
065	SE00000325	SCREW PTB 3X8(NI)		2				
066	SE00000193	SCREW 3X10		2				
067	SE00000671	PCB-B AUX IN 2 ASS'Y		1				
068	SE00000199	SILICON RUBBER WASHER		1				
069	SE00000325	SCREW PTB 3X8(NI)		1				
070	SE00000199	SILICON RUBBER WASHER		1				
071	SE00000325	SCREW PTB 3X8(NI)		1				
072	SE00000422	SPEAKER HOLDER		1				
073	SE00000406	SPEAKER PACKING		1				
074	SE00000672	SPEAKER LEFT ASS'Y(W)		1				
075	SE00000408	SPEAKER PANEL ASS'Y		1				
076	SE024J9040	PACKING		4				
077	SE9076146A	HEX SCREW M6X14		4				
078	SE00000430	SWITCH KNOB		1				
079	SE00000673	PCB D BATTERY SWITCH ASS'Y		1				
080	SE00000674	PCB G UPDATE USB ASS'Y		1				
081	SE00000193	SCREW 3X10		2				
082	SE00000325	SCREW PTB 3X8(NI)		2				
083	SE00000473	TERMINAL 10.8V ASSY 011 WA1		1				
084	SE00000325	SCREW PTB 3X8(NI)		2				
085	SE00000675	PCB F DC JACK ASS'Y		1				
086	SE09090011	SCREW 1.7		2				
087	SE00000435	DC JACK HOLDER		1				
088	SE00000195	W/TIES 100MM		3				

Model No.DMR112 JOB SITE RADIO

Položka	Objednávacie číslo	Popis	Zmena	ks	New/Old	Možnosť 1	Možnosť 2	Poznámka
089	SE024PC040	PACKING		1				
A01	SE00000101	AC ADAPTER		1				

Please order the parts with part number.

Print Date 1/3/2019