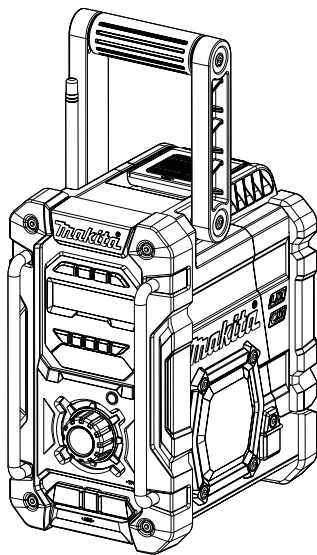
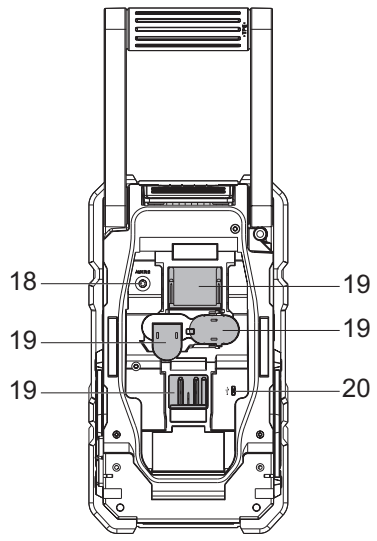
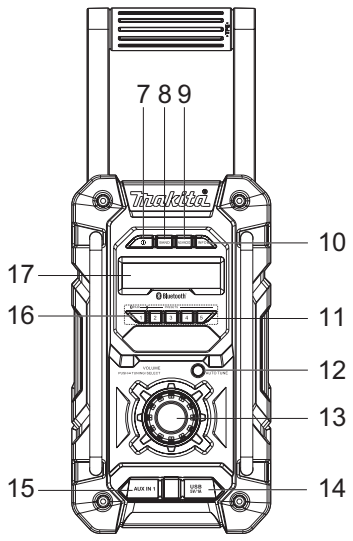
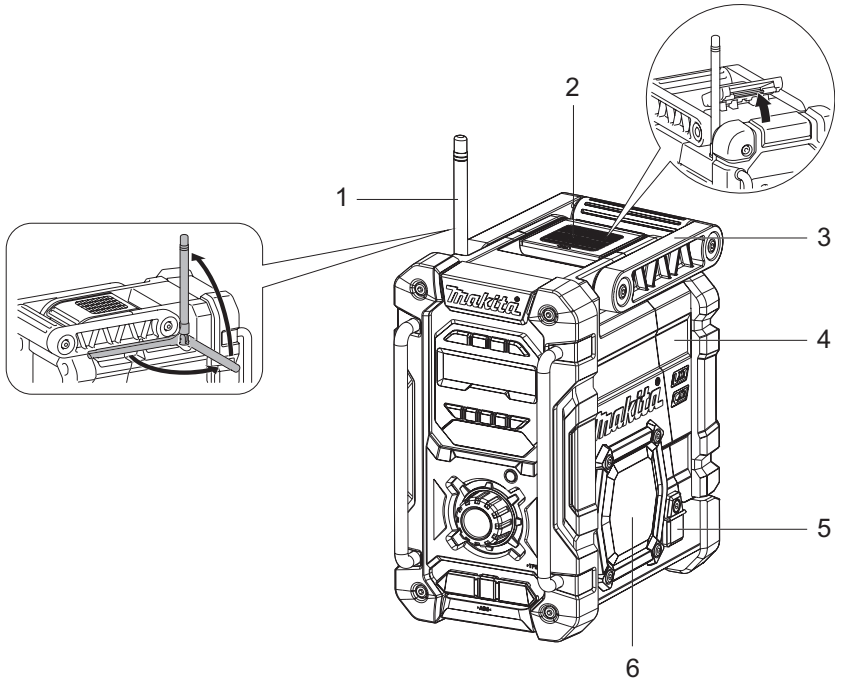


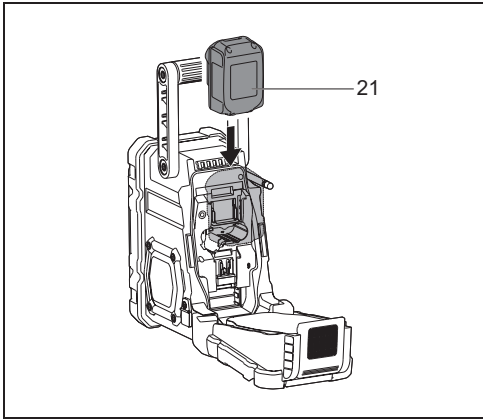


EN	Job Site Radio	Instruction manual	4
PL	Akum. Odbiornik Radiowy	Instrukcja obsługi	13
DE	Baustellenradio	Bedienungsanleitung	23
CS	Pracovní rádio	Návod k obsluze	33
HU	Munkarádió	Használati útmutató	42
SK	Pracovné rádio	Návod na použitie	52
RO	Radio pentru locul de lucru	Manual de utilizare	61
UK	Радіоприймач для використання на робочому місці	Інструкція з використання	71

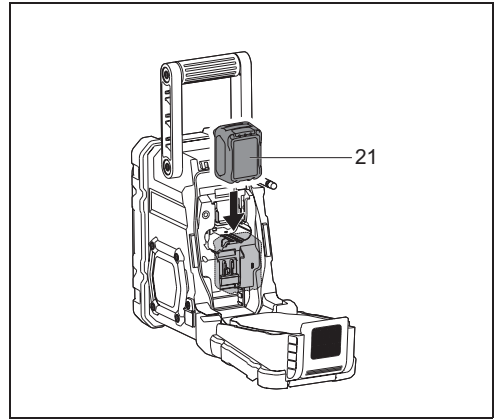
## DMR112



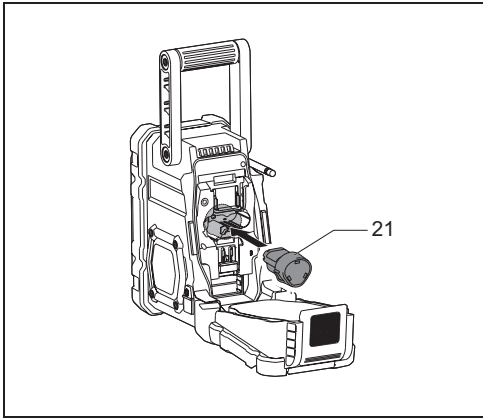




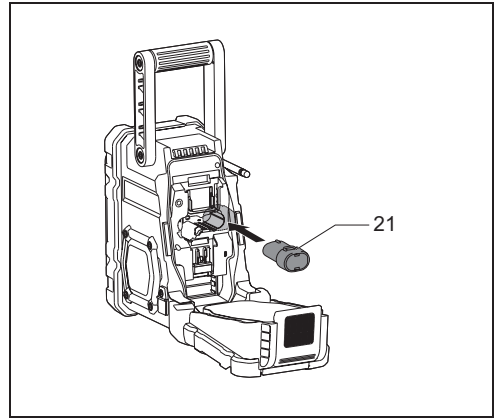
2



3



4



5

## ENGLISH (Original instructions)

### EXPLANATION OF GENERAL VIEW (Fig. 1~5)

1. Soft bended rod antenna
2. Battery compartment locker
3. Handle
4. Battery compartment cover (covering battery cartridge)
5. DC IN socket
6. Speaker
7. Power button
8. Band button
9. Advanced setting button
10. Info button
11. Preset 2-5
12. Auto tune button
13. Volume/Tuning Control/Select knob
14. USB power supply port
15. AUX IN 1
16. Preset 1/Bluetooth pairing button
17. LCD display
18. Input terminal (AUX IN 2)
19. Battery compartment
20. Micro USB port for software upgrade
21. Battery cartridge

### SYMBOLS

The following show the symbols used for the equipment. Be sure that you understand their meaning before use.



Read instruction manual.



Only for EU countries.

Do not dispose of electric equipment or battery pack together with household waste material!  
In observance of the European Directives, on Waste Electric and Electronic Equipment and Batteries and Accumulators and Waste Batteries and Accumulators and their implementation in accordance with national laws, electric equipment and batteries and battery pack(s) that have reached the end their life must be collected separately and returned to an environmentally compatible recycling facility.

## IMPORTANT SAFETY INSTRUCTIONS

### WARNING:

When using electric tools, basic safety precautions should always be followed to reduce the risk of fire, electric shock, and personal injury, including the following:

1. Read this instruction manual and the charger instruction manual carefully before use.
2. Clean only with dry cloth.
3. Do not install near any heat sources such as radiators, heat registers, stoves, or other apparatus (including amplifiers) that produce heat.
4. Only use attachments/accessories specified by the manufacturer.
5. Unplug this apparatus during lightning storms or when unused for long periods of time.
6. A battery operated radio with integral batteries or a separate battery pack must be recharged only with the specified charger for the battery. A charger that may be suitable for one type of battery may create a risk of fire when used with another battery.
7. Use battery operated radio only with specifically designated battery packs. Use of any other batteries may create a risk of fire.
8. When battery pack is not in use, keep it away from other metal objects like: paper clips, coins, keys, nails, screws, or other small metal objects that can make a connection from one terminal to another. Shorting the battery terminals together may cause sparks, burns, or a fire.
9. Avoid body contact with grounded surfaces such as pipes, radiators, ranges and refrigerators. There is an increased risk of electric shock if your body is grounded.
10. Under abusive conditions, liquid may be ejected from the battery; avoid contact. If contact accidentally occurs, flush with water. If liquid contacts eyes, additionally seek medical help. Liquid ejected from the battery may cause irritation or burns.
11. Do not use a battery pack or tool that is damaged or modified. Damaged or modified batteries may exhibit unpredictable behaviour resulting in fire, explosion or risk of injury.
12. Do not expose a battery pack or tool to fire or excessive temperature. Exposure to fire or temperature above 130 °C may cause explosion.
13. Follow all charging instructions and do not charge the battery pack or tool outside the temperature range specified in the instructions. Charging improperly or at temperatures outside the specified range may damage the battery and increase the risk of fire.
14. The MAINS plug is used as the disconnect device, and it shall remain readily operable.

15. Do not use the product at a high volume for any extended period. To avoid hearing damage, use the product at moderate volume level.
  16. (For products with LCD display only) LCD displays include liquid which may cause irritation and poisoning. If the liquid enters the eyes, mouth or skin, rinse it with water and call a doctor.
  17. Do not expose the product to rain or wet conditions. Water entering the product will increase the risk of electric shock.
  18. This product is not intended for use by persons (including children) with reduced physical, sensory or mental capabilities, or lack of experience and knowledge, unless they have been given supervision or instruction concerning use of the product by a person responsible for their safety. Children should be supervised to ensure that they do not play with the product. Store the product out of the reach of children.
11. The contained lithium-ion-batteries are subject to the Dangerous Goods Legislation requirements. For commercial transports e.g. by third parties, forwarding agents, special requirement on packaging and labeling must be observed.  
For preparation of the item being shipped, consulting an expert for hazardous material is required. Please also observe possibly more detailed national regulations.  
Tape or mask off open contacts and pack up the battery in such a manner that it cannot move around in the packaging.
  12. Follow your local regulations relating to disposal of battery.
  13. Use the batteries only with the products specified by Makita. Installing the batteries to non-compliant products may result in a fire, excessive heat, explosion, or leak of electrolyte.

## SAVE THESE INSTRUCTIONS

### SPECIFIC SAFETY RULES

#### FOR BATTERY CARTRIDGE

1. Before using battery cartridge, read all instructions and cautionary markings on (1) battery charger, (2) battery, and (3) product using battery.
2. Do not disassemble battery cartridge.
3. If operating time has become excessively shorter, stop operating immediately. It may result in a risk of overheating, possible burns and even an explosion.
4. If electrolyte gets into your eyes, rinse them out with clear water and seek medical attention right away. It may result in loss of your eyesight.
5. Do not short the battery cartridge:
  - (1) Do not touch the terminals with any conductive material.
  - (2) Avoid storing battery cartridge in a container with other metal objects such as nails, coins, etc.
  - (3) Do not expose battery cartridge to water or rain. A battery short can cause a large current flow, overheating, possible burns and even a breakdown.
6. Do not store the tool and battery cartridge in locations where the temperature may reach or exceed 50°C (122°F).
7. Do not incinerate the battery cartridge even if it is severely damaged or is completely worn out. The battery cartridge can explode in a fire.
8. Be careful not to drop or strike battery.
9. Do not use a damaged battery.
10. To avoid risk, the manual of replaceable the battery should be read before use. And the max discharging

#### **⚠ CAUTION:**

- Danger of explosion if battery is incorrectly replaced.
- Replace only with the same or equivalent type.
- Only use genuine Makita batteries. Use of non-genuine Makita batteries, or batteries that have been altered, may result in the battery bursting causing fires, personal injury and damage. It will also void the Makita warranty for the Makita tool and charger.

#### **Tips for maintaining maximum battery life**

1. Charge the battery cartridge before completely discharged. Always stop tool operation and charge the battery cartridge when you notice less tool power.
2. Never recharge a fully charged battery cartridge. Overcharging shortens the battery service life.
3. Charge the battery cartridge with room temperature at 10°C - 40°C (50°F - 104°F). Let a hot battery cartridge cool down before charging it.
4. Charge the battery cartridge if you do not use it for a long period (more than six months).

# OPERATING TIME

\* The following table indicates the operating time on a single charge.

Battery capacity	Battery cartridge voltage					AT SPEAKER OUTPUT = 100mW Unit: Hour (Approximately)	
	7.2 V	10.8 V	10.8 V – 12Vmax	14.4 V	18 V	In radio or AUX	In radio with USB charging (1.0A)
1.0 Ah	BL7010					5.0	0.7
1.3 Ah		BL1013				7.0	0.9
				BL1415		5.5	1.7
					BL1815	6.0	1.9
1.5 Ah	BL0715					7.5	1.0
			BL1015 BL1016			8.5	1.7
				BL1415N		7.0	2.0
					BL1815N	7.5	2.0
2.0 Ah			BL1020B BL1021B			11	2.0
					BL1820 BL1820B	10	3.0
3.0 Ah				BL1430 BL1430B		12	3.5
					BL1830 BL1830B	14	4.0
4.0 Ah			BL1040B BL1041B			21	4.0
				BL1440		19	5.5
					BL1840 BL1840B	20	6.0
5.0 Ah				BL1450		23	6.5
					BL1850 BL1850B	26	8.0
6.0 Ah				BL1460B		25	7.5
					BL1860B	31	9.5

 : Cluster battery  : Slide battery

## **WARNING:**

**Only use the battery cartridges listed above. Use of any other battery cartridges may cause injury and/or fire.**

## **NOTE:**

Table regarding to the battery operating time above is for reference. The actual operating time may differ with the type of the battery, charging condition, or usage environment.

# INSTALLATION AND POWER SUPPLY

## ⚠ CAUTION:

- Be careful not to pinch your fingers when opening and closing the battery cover.
- Return the battery compartment locker to the original position, after installing or removing battery cartridge. If not, battery cartridge may accidentally fall out of the radio, causing injury to you or someone around you.
- Always close and lock the battery compartment locker before moving the radio.
- Always switch off the radio before installing or removing the battery cartridge.
- Be careful not to drop or strike the radio. Broken shell may slash your finger or stab your body. Damaged radio may exhibit unpredictable behaviour resulting in fire, explosion or risk of injury.

## IMPORTANT:

- Reduced power, distortion, "stuttering sound" or when "POWERFAIL" appears on the display are all the signs that the main battery pack needs to replace.
- The battery cartridge can't be charged via the supplied AC power adaptor.
- The battery cartridge is not included as standard accessories.

## Installing or removing Slide battery cartridge (Fig. 2 & 3)

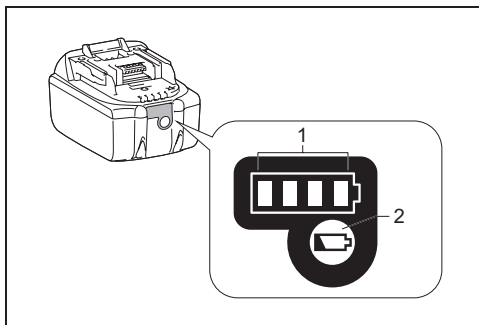
1. To install the battery cartridge, align the tongue on the battery cartridge with the groove in the housing and slip it into place. Always insert it all the way until it locks in place with a little click.
2. If you can see the red indicator on the upper side of the button, it is not locked completely. Install it fully until the red indicator cannot be seen. If not, it may accidentally fall out of the radio, causing injury to you or someone around you.
3. Do not use force when installing the battery cartridge. If the cartridge does not slide in easily, it is not being inserted correctly.
4. To remove the battery cartridge, slide it from the radio while sliding the button on the front of the cartridge.

## Installing or removing Cluster battery cartridge (Fig. 4 & 5)

1. To insert the battery cartridge, align the tongue on the battery cartridge with the groove in the housing and slip it into place.
2. To remove the battery cartridge, take the battery out of the terminal while pressing the buttons on the side of cartridge.

## Indicating the remaining battery capacity

\* Only for battery cartridges with "B" at the end of the model number.



### ➤ 1. Indicator lamps 2. Check button

Press the check button on the battery cartridge to indicate the remaining battery capacity. The indicator lamps light up for few seconds.

#### • 14.4V/18V batteries

Indicator or lamps			Remaining Capacity
Lighted	Off	Blinking	
■	■	■	75% ~ 100%
■	■	□	50% ~ 75%
■	□	□	25% ~ 50%
□	□	□	0% ~ 25%
▣	□	□	Charge the battery
■	■	□	The battery may have malfunctioned
□	□	■	

#### • 10.8V-12V max batteries

Indicator or lamps			Remaining Capacity
Lighted	Off	Blinking	
■	■	■	75% ~ 100%
■	■	□	50% ~ 75%
■	□	□	25% ~ 50%
□	□	□	0% ~ 25%

**NOTE:**

Depending on the conditions of use and the ambient temperature, the indication may differ slightly from the actual capacity.

### Using the soft bended rod antenna (Fig. 1)

Straight up the soft bended rod antenna as shown in the figure.

### Using supplied AC power adaptor

Remove the rubber protector and insert the adaptor plug into the DC socket on the right hand side of the radio.

Plug the adaptor into a standard mains socket outlet.

Whenever the adaptor is used, the battery pack is automatically disconnected.

#### **⚠ CAUTION:**

- **Always disconnected the AC power adapter completely before moving the radio. If the AC adapter is not removed, it may cause an electric shock.**
- **Never pulling and dragging the cord of the adapter. If not, the radio may accidentally fall down, causing injury to you or someone around you.**

#### **IMPORTANT:**

- The mains adaptor is used as the means of connecting the radio to the mains supply. The mains socket used for the radio must remain accessible during normal use.
- In order to disconnect the radio, the mains adaptor should be removed from the mains outlet completely.
- Use the AC power adaptor supplied with the product or specified by Makita only.
- Do not hold the power supply cable and plug by your mouth. Doing so might cause an electric shock.
- Do not touch the power plug with wet or greasy hands.
- Damaged or entangled cords increase the risk of electric shock. If the cord is damaged, have it replaced by our authorized service center in order to avoid a safety hazard. Do not use it before repair.
- After use, always store AC power adaptor out of the reach of children. If children play with the cord, they may suffer injury.

### Charging with USB power supply port

There is the USB port at the front side of the radio. You can charge USB device through the USB port.

1. Connect the USB device, such as iPod, MP3, or CD player, with USB cable available in the market.
2. Press the Power button to switch on your radio.
3. No matter if the radio is AC powered or battery powered, the radio can charge the USB device when the radio is switched on and in FM/DAB radio mode, or BT mode, or AUX mode, which is appeared when an external audio source is connected.

**NOTE:**

- The maximum volume of the output power speaker will decrease when your USB is charging.
- The USB socket can provide max 1A5V of electrical current.

**IMPORTANT:**

- Before connecting USB device to the USB port, always backup your data of USB device. Otherwise your data may lose by any possibility.
- The radio may not supply power to some USB devices.
- When not using or after charging, remove the USB cable and close the cover.
- Do not connect power source to USB port. Otherwise there is risk of fire. The USB port is only intended for charging lower voltage device. Always place the cover onto the USB port when not charging the lower voltage device.
- Do not insert a nail, wire, etc. into USB power supply port. Otherwise a circuit short may cause smoke and fire.
- Do not connect this USB socket with your PC USB port, as it is highly possible that it may cause breakdown of the units.

## LISTENING TO THE RADIO

This radio has three tuning methods- Scan tuning, Manual tuning and Memory presets recall.

### Selecting a station – DAB

1. Press the Power button to switch on your radio.
2. Select the DAB mode by pressing the Band button.
3. Press the Advanced setting button and rotate the Volume/Tuning Control/Select knob until "Station List" is flashing on the screen. Press the Volume/Tuning Control/Select knob to enter the list of the stations.
4. Rotate the Volume/Tuning Control/Select knob to scroll through the list of available stations. Press the knob to select the station.
5. Adjust the desired volume by rotating the Volume/Tuning Control/Select knob.

### Display modes – DAB

Your radio has a range of display options in the DAB mode.

Press the Info button to cycle through the various options shown in the following letters (a. to g.)

- |                   |   |
|-------------------|---|
| a. Station name   | Indicates the station name being listened to.                                   |
| b. Program type   | Indicates the type of station being listened to. E.g. Pop, Classics, News, etc. |
| c. Multiplex name | Indicates the name of the DAB multiplex to which the current station belongs.   |



- d. Time & date Indicates the current time and date.
- e. Frequency and channel Indicates the frequency and channel number for the currently tuned DAB station.
- f. Bit rate/ Audio type Indicates the digital audio bit rate and audio type for the currently tuned DAB station.
- g. Signal strength Indicates the signal strength for the currently tuned DAB station.

## Finding new stations – DAB

From time to time, new DAB radio stations may become available. Or you may have moved to a different part of the country. In this case you may need to activate your radio to scan for new stations.

To allow the radio to find the available stations, it is recommended to carry out a full scan of the entire DAB Band III frequencies.

1. Press the Auto tune button.
2. Your radio will perform a full scan of the DAB frequencies. As new stations are found, the station counter on the left side in the display will increase and stations will be added to the list.

## Manual tuning – DAB

Manual tuning allows you to tune your radio to a particular DAB frequency in Band III. This function can also be used to assist the positioning of the antenna or the radio so as to optimize reception for a specific channel or frequency.

1. Press the Advanced setting button and rotate the Volume/Tuning Control/Select knob until “Manual Tune” shown on the display. Press the Volume/Tuning Control/Select knob to enter the manual tuning mode.
2. Rotate the Volume/Tuning Control/Select knob to select the desired DAB channel. Press Volume/Tuning Control/Select knob to confirm the chosen frequency.

## Station order setup – DAB

Your radio has 3 station order settings from which you can choose. The station order settings are alphanumeric, ensemble and valid station.

1. Press the Advanced setting button.
2. Rotate the Volume/Tuning Control/Select knob until “Station order” appearing on the display, then press the Volume/Tuning Control/Select knob to enter the setting.
3. Rotate the Volume/Tuning Control/Select knob to select the following options and press the knob to confirm the setting.

Alphanumeric	Sorts the station list alpha-numerically 0...9 A...Z
Ensemble	Organizes the station list by DAB multiplex
Valid	Shows only those stations for which a signal can be found

## Dynamic Range Control (DRC) – DAB

DRC feature can make quieter sounds easier to hear when your radio is used in a noisy environment by reducing the dynamic range of the audio signal. There are three levels of compression:

DRC 0	No compression applied.
DRC 1/2	Medium compression applied.
DRC 1	Maximum compression applied.

1. Press the Power button to switch on your radio.
2. Press the Band button to select the DAB band.
3. Press the Advanced setting button and rotate the Volume/Tuning Control/Select knob until “DRC Value” shown on the display. Then press the Volume/Tuning Control/Select knob to enter the setting. The display will show the current DRC value.
4. Rotate the Volume/Tuning Control/Select knob to select desired DRC setting.
5. Press the Volume/Tuning Control/Select knob to confirm the setting.

## Scan Tuning – FM

1. Press the Power button to turn on the radio.
2. Select the desired waveband by pressing the Band button. Make sure the soft bended rod antenna has been well placed for best FM reception. Try to avoid operating the radio next to a computer screen and other equipment which will cause interference to the radio.
3. Press the Auto tune button and the radio will search and stop automatically when it finds a radio station. The radio will continue searching for the next available station unless the operator presses the Auto tune button to stop the scanning.
4. Rotate the Volume/Tuning Control/Select knob to get the desired sound level. The LCD display will show sound level changes.
5. To turn off the radio, press the Power button.

## FM scan zone

When using FM mode, your radio can be set to scan either local stations or to scan all stations including distant radio stations.

1. Press the Power button to turn on the radio.
2. Press the Band button to select the FM band.
3. Press the Advanced setting button and then rotate the Volume/Tuning Control/Select knob until “FM Scan Zone” shows on the display. Press the Volume/Tuning Control/Select knob to enter the setting.
4. Rotate the Volume/Tuning Control/Select knob to switch between “Local” (Strong stations only) and “Distant” (All stations) options on the lower line of the display. The Distant option will allow the radio to find weaker signals when scanning.
5. Press the Volume/Tuning Control/Select knob to

confirm your selection. The Local or Distant setting is stored in the radio and remains in force until changed or until a System Reset.

## Manual Tuning – FM

1. Press the Power button to turn on the radio.
2. Press the Band button to select desired waveband. Adjust the antenna as described above.
3. Rotate the Volume/Tuning Control/Select knob will change the frequency in the following increment: FM: 50 kHz.

### NOTE:

In order to use the Volume/Tuning Control/Select knob to find your desired station, press the Volume/Tuning Control/Select knob to switch to the tuning control mode.

4. Keep rotating the Volume/Tuning Control/Select knob until desired frequency is shown on the display.
5. Rotate the Volume/Tuning Control/Select knob to get the desired sound level.
6. To turn off the radio, press the Power button.

## Display modes – FM (RDS)

Your radio has a range of display options for FM radio mode.

Repeatedly press the Info button to view the RDS (Radio Data System) information of the station you are listening to.

- |                    |  |
|--------------------|--|
| a. Program station | Indicates the name of the station being listened to.                             |
| b. Frequency       | Indicates the frequency of the FM signal.  |
| c. Radio text      | Indicates text message such as new items, etc.                                   |
| d. Program type    | Indicates the type of station being listened to such as Pop, Classic, News, etc. |
| e. Time & date     | Indicates the current time and date.   |

## Storing stations in preset memories (DAB and FM)

There are 5 memory presets for each waveband.

1. Press the Power button to turn on the radio.
2. Tune to the desired station using one of the methods previously described.
3. Press and hold the desired Preset button until the preset number shown on the display, for example, "P2 Saved". The station is then stored in the selected Preset button.
4. Repeat this procedure for the remaining presets.
5. Stations stored in the preset memories can be overwritten by following the procedures described above.

## Recall stations from the preset memories (DAB and FM)

1. Press the Power button to turn on the radio.
2. Press the Band button to select your desired waveband.
3. Press the desired Preset button momentarily. The preset number and station frequency will appear in the display.

## LISTENING TO MUSIC VIA BLUETOOTH STREAMING

You need to pair your Bluetooth device with the radio before you can auto-link to play/stream Bluetooth music through the radio. Pairing creates a 'bond' so two devices can recognize each other.

### NOTE:

To have the better sound quality, we recommend setting the volume to more than two-thirds level on your Bluetooth device and then adjust the volume on the radio as required.

## Pairing your Bluetooth device for the first time

1. Press the Power button to turn on the radio. Press the Band button to select Bluetooth mode. The Bluetooth indicator on the Preset buttons flashes blue to show the radio is discoverable.
2. Activate Bluetooth on your device according to the device's user manual to link to the radio. Locate the Bluetooth device list and select the device named 'DMR112' with some mobiles (which are equipped with earlier versions than BT2.1 Bluetooth device), you may need to input the pass code "0000".
3. Once connected, there will be a confirmation tone sound and the Bluetooth indicator on the Preset buttons will remain in solid blue. You can simply select and play any music from your source device. Volume control can be adjusted from your source device, or directly from the radio.
4. Use the controls on your Bluetooth-enabled device or on the radio to play/pause and navigate tracks.

### NOTE:

1. If 2 Bluetooth devices, pairing for the first time, both search for the radio, it will show its availability on both devices. However, if one device links with this unit first, then the other Bluetooth device won't find it on the list.
2. If your Bluetooth device is temporarily disconnected to the radio, then you need to manually reconnect your device again to the radio.
3. If 'DMR112' shows in your Bluetooth device list but your device cannot connect with it, please delete the item from your list and pair the device with the radio again following the steps described previously.

4. Optimum Bluetooth streaming range is roughly 10 meters (30 feet) (line of sight) to the radio but distance up to 30 meters (100 feet) are possible.
5. If Bluetooth connection is lost due to exceeding time of separation, exceeding the optimum distance, obstacles or otherwise, reconnecting your device with the radio may be necessary.
6. Physical obstacles, other wireless devices or electromagnetic devices may affect the connection quality.
7. Bluetooth connectivity performance may vary depending on the connected Bluetooth devices. Please refer to the Bluetooth capabilities of your device before connecting to the radio. All features may not be supported on some paired Bluetooth devices.

### Playing audio files in Bluetooth mode

When you have successfully connected the radio with the chosen Bluetooth device you can start to play your music using the controls on your connected Bluetooth device.

1. Once playing has started adjust the volume to the required setting using the Volume knob on the radio or on your enabled Bluetooth device.
2. Use the controls on your device to play/pause and navigate tracks.

#### NOTE:

1. That not all player applications or devices may respond to all of these controls.
2. Some mobile phones may temporarily disconnect from the radio when you make or receive calls. Some devices may temporarily mute their Bluetooth audio streaming when they receive text messages, emails or for other reasons unrelated to audio streaming. Such behaviour is a function of the connected device and does not indicate a fault with the radio.

### Playing a previously-paired Bluetooth source device

The radio can memorize up to 8 sets of paired device, when the memory exceed this amount, the oldest pairing history will be over written. If your Bluetooth device already paired with the radio previously, the unit will memorize your Bluetooth device and it attempts to reconnect with a device in memory which is last connected. If the last connected device is not available, the radio will be discoverable.

### Disconnecting your Bluetooth device

Press and hold the Bluetooth pairing button for 2-3 seconds to disconnect with your Bluetooth device. The Bluetooth indicator on the Preset buttons flashes in blue indicating the radio is discoverable again for pairing.

## AUXILIARY INPUT SOCKET

Two 3.5 mm stereo Auxiliary Input sockets are provided. One is at the front of your radio (AUX IN 1); the other is located in the battery compartment (AUX IN 2).

1. Connect an external audio source (for example, iPod, MP3 or CD player) to the Auxiliary Input socket by audio cord.
2. Repeatedly press and release the Band button until "AUX IN 1" or "AUX IN 2" is displayed, then AUX function is activated.
3. To have the better sound quality, we recommend setting the volume to more than two-thirds level on your audio device and then adjust the volume on the radio as required.

#### NOTE:

Audio cord is not included as standard accessories.

## MISCELLANEOUS SETTINGS

### Language options

There are eight language options available in the radio: English, German, Italian, French, Dutch, Danish, Norwegian and Spanish.

1. Press Advanced setting button.
2. Rotate the Volume/Tuning Control/Select knob until "Language" shown on the display. Press the Volume/Tuning Control/Select knob to enter the setting.
3. Rotate the Volume/Tuning Control/Select knob to choose your desired language. Press the Volume/Tuning Control/Select knob to confirm your setting.

### Brightness control

The button Light can be adjusted.

1. Press the Advanced setting button.
2. Rotate the Volume/Tuning Control/Select knob until "Button Light" is shown on the display. Press the Volume/Tuning Control/Select knob to enter the setting.
3. Rotate the Volume/Tuning Control/Select knob to choose "On" or "Off" to enable or disable the button light function, then press the Volume/Tuning Control/Select knob to confirm the setting.

### System reset

If your radio fails to work correctly, or some digits on the display are missing or incomplete, carry out the following procedure.

1. Press the Advanced setting button.
2. Rotate the Volume/Tuning Control/Select knob until "Factory Reset" shown on the display. Press the Volume/Tuning Control/Select knob to enter the setting.
3. Rotate the Volume/Tuning Control/Select knob to choose "Yes". Press the Volume/Tuning Control/Select knob to confirm the setting and a full reset will be performed.

## Software version

1. Press the Advanced setting button.
2. Rotate the Volume/Tuning Control/Select knob until "SW Version" shown on the display. Press the Volume/Tuning Control/Select knob to view the software version installed in the radio.

## Micro USB port for software upgrade

Software updates for your radio may be available in the future.

As software updates become available software and information on how to update your radio can be found at

**Makita website.**

## MAINTENANCE

### CAUTION:

**Never use gasoline, benzene, thinner, alcohol or the like. Discoloration, deformation or cracks may result.**

## SPECIFICATIONS

Power requirements	
AC power adaptor	DC 12 V 1.2A, center pin positive
Battery	Cluster battery: 7.2 V - 10.8 V Slide battery: 10.8 V - 18 V
Frequency coverage	FM 87.50 - 108 MHz DAB/DAB+ 174.928-239.200 MHz
DAB/DAB+ Channel block	DAB (Band III) 5A-13F
Compatible standard	DAB/DAB+

Bluetooth®	
(The Bluetooth® word mark and logos are registered trademarks owned by Bluetooth SIG, Inc.)	
Bluetooth version	4.0
Bluetooth Profiles	A2DP/SCMS-T
Transmission Power	Power Class2
Transmission Range	Optimum: Max. 10 meters (33 feet) Possible: Max. 30 meters (100 feet) (varies according to usage conditions)
Supported codec	SBC,AAC
Compatible Bluetooth profile	A2DP
Maximum radio-frequency power	BT EDR: 3.12dBm BT LE: 2.31dBm
Operating Frequency	2402MHz~2480MHz

Circuit feature	
Loudspeaker	3.5 inches 32 ohm x 2
Output power	7.2 V: 0.6 W X 2 12Vmax: 1.7 W X 2 14.4 V: 3 W X 2 18 V: 4.9 W X 2
Input terminal	3.5 mm dia. (AUX IN1/AUX IN2)
Antenna system	DAB/FM: soft bended rod antenna
Dimensions (L x W x H)	282 × 163 × 294 mm
Weight	4.3KG (without battery)

## POLSKI (Oryginalna instrukcja)

### OBJAŚNIENIA DO WIDOKU OGÓLNEGO (Rys. 1~5)

1. Miękką wyginająca się antena
2. Zamykane miejsca na baterie
3. Uchwyt
4. Pokrywa miejsca na baterie (zakrywa baterię)
5. Gniazdo DC IN
6. Głośnik
7. Przycisk zasilania
8. Przycisk pasm
9. Przycisk ustawień zaawansowanych
10. Przycisk informacji
11. Przyciski wstępnie ustawione 2-5
12. Przycisk automatycznego nastawiania
13. Pokrętko głośności i wyboru
14. Gniazdko zasilania USB
15. WEJŚCIE NA ŹRÓDŁO AUDIO 1
16. Przycisk 1/Przycisk parowania Bluetooth
17. Wyświetlacz LCD
18. Terminal (WEJSCIE NA ŹRÓDŁO AUDIO 2)
19. Komora na baterie
20. Port micro USB do aktualizacji oprogramowania
21. Bateria

### SYMBOLE

Poniżej przedstawiono symbole stosowane w przypadku omawianego urządzenia. Przed rozpoczęciem jego użytkowania należy upewnić się, że są one zrozumiałe.



Przeczytać instrukcję obsługi.



Tylko dla krajów UE Nie wyrzucaj urządzeń elektrycznych lub baterii razem z odpadami domowymi!

Mając na uwadze Dyrektywy europejskie dot. Odpadów elektrycznych, sprzętu elektronicznego, baterii, akumulatorów oraz zużytych baterii i akumulatorów oraz sposobów ich zastosowania, zgodnie z prawami krajowymi, sprzęt elektryczny oraz baterie, które zostały zużyte, muszą być wyrzucane oddzielnie i oddawane do zgodnych z przepisami o ochronie środowiska punktów recyklingowych.

## WAŻNE ZASADY BEZPIECZE ŃSTWA

### ⚠ OSTRZEŻENIE:

Używając elektronarzędzi, należy zawsze przestrzegać podstawowych środków ostrożności w celu zmniejszenia ryzyka wystąpienia pożaru, porażenia prądem oraz uszkodzenia ciała, włączając poniższe:

1. Przed korzystaniem z urządzenia należy dokładnie zapoznać się z niniejszą instrukcją obsługi oraz instrukcją obsługi ładowarki.
2. Czyścić wyłącznie suchą szmatką.
3. Nie montować przy jakimkolwiek źródle ciepła, takim jak grzejniki, kratki wylotowe ciepłego powietrza, piece lub inne urządzenia (również wzmacniacze) wytwarzające ciepło.
4. Stosować wyłącznie przyrządy/akcesoria zalecane przez producenta.
5. Wylączyć niniejsze urządzenie podczas burzy oraz w przypadku nieużywania przez dłuższy czas.
6. Akumulatorowy odbiornik radiowy z akumulatorem wbudowanym lub oddzielnym musi być ładowany wyłącznie za pomocą określonej ładowarki do akumulatora. Ładowarka przeznaczona do jednego typu akumulatora może stwarzać zagrożenie wystąpienia pożaru w przypadku stosowania jej do ładowania innego akumulatora.
7. Do zasilania akumulatorowego odbiornika radiowego należy używać tylko przeznaczonych do niego akumulatorów. Używanie innych akumulatorów może stwarzać ryzyko wystąpienia pożaru.
8. Gdy akumulator nie jest używany, należy zabezpieczyć go przed kontaktem z innymi metalowymi przedmiotami, takimi jak spinacze, monety, klucze, gwoździe, wkręty bądź inne małe przedmioty metalowe, które mogą powodować zwarcie styków akumulatora. Zwarcie styków akumulatora grozi pojawieniem się iskier, poparzeniami lub pożarem.
9. Należy unikać kontaktu ciała z przedmiotami uziemionymi, takimi jak rury, grzejniki, kuchenki czy lodówki. Gdy ciało człowieka jest uziemione, wzrasta ryzyko porażenia prądem elektrycznym.
10. W razie niewłaściwych warunków użytkowania może dojść do wycieku elektrolitu z akumulatora. Unikać kontaktu. W razie przypadkowego kontaktu, należy przemyć skażoną skórę wodą. W przypadku kontaktu elektrolitu z oczami należy dodatkowo zasięgnąć porady lekarza. Płyn z akumulatora może powodować podrażnienia lub poparzenia.
11. Nie używaj baterii lub narzędzia, gdy zostały uszkodzone bądź zmodyfikowane. Uszkodzone lub zmodyfikowane baterie mogą wykazywać nieprzewidywalne zachowanie skutkujące pożarem, wybuchem lub wystąpieniem ryzyka obrażeń.
12. Nie wystawiaj baterii lub narzędzia na działanie ognia lub wysokiej temperatury. Narażenie na działanie ognia lub temperatury powyżej 130 °C może spowodować wybuch.
13. Postępuj zgodnie z wszystkimi instrukcjami dot.

- ładowania i nie ładuj baterii lub narzędzia poza wyznaczonym w instrukcji zakresem temperatur. Nieprawidłowe ładowanie lub ładowanie w temperaturze przekraczającej określony zakres może uszkodzić baterię i spowodować ryzyko wystąpienia pożaru.
- Wtyczka ZASILANIA jest używana do odłączania urządzenia od zasilania i powinna pozostać zawsze gotowa do użycia.
  - Nie używaj produktu na najgłośniejszym ustawieniu przez dłuższy okres czasu. Aby uniknąć uszkodzenia słuchu, używaj produktu na umiarkowanej głośności.
  - (Dla produktów wyposażonych tylko w wyświetlacz LCD) wyświetlacze LCD zawierają ciecz, która może powodować podrażnienia i zatrucie. Jeżeli ciecz dostanie się do oczu, ust lub na skórę spłucz wodą i skontaktuj się z lekarzem.
  - Nie wystawiaj produktu na deszcz i wilgotne warunki. Gdy woda dostanie się do produktu, zwiększy to ryzyko porażenia prądem.
  - Ten produkt nie jest przeznaczony do używania przez osoby (oraz dzieci) z ograniczoną poczytalnością lub ograniczeniami umysłowymi lub brakiem wiedzy i doświadczenia, chyba że pod nadzorem lub wskazówkami, dotyczącymi użytkowania produktu, osób odpowiedzialnych za ich bezpieczeństwo. Dzieci powinny być nadzorowane tak, aby nie mogły bawić się produktem. Przechowuj ten produkt poza zasięgiem dzieci.

## ZACHOWAĆ INSTRUKCJĘ OBSŁUGI

## SZCZEGÓŁOWE ZASADY BEZPIECZEŃSTWA

### DOTYCZY AKUMULATORA

- Przed użyciem baterii, przeczytaj wszystkie instrukcje oraz oznaczenia dot. uwag na (1) ładowarce do baterii, (2) bateriach oraz (3) produkcie korzystającym z baterii.
- Nie rozmontowuj baterii.
- Jeżeli czas używania znacząco się zmniejszył, natychmiast przestań korzystać z urządzenia. Może to skutkować przegrzaniem, powodować oparzenia, a nawet prowadzić do wybuchu.
- Gdy elektrolit dostanie się do twoich oczu, przepłucz je czystą wodą i natychmiast skonsultuj się z lekarzem. Może to skutkować utratą wzroku.
- Nie powoduj zwarcia baterii:
  - Nie dotykaj styków przy pomocy przewodzących materiałów.
  - Unikaj przechowywania baterii w pojemniku z innymi metalowymi przedmiotami, np. gwoździemi, monetami itp.
  - Nie narażaj baterii na oddziaływanie wody lub deszczu. Zwarcie baterii może skutkować dużym przepływem napięcia, przegrzaniem, możliwymi oparzeniami i uszkodzeniem.
- Nie przechowuj narzędzia i baterii w miejscach, gdzie

temperatura może osiągać lub przekraczać 50°C (122°F).

- Nie spalaj baterii nawet, jeżeli są bardzo zniszczone lub kompletnie zużyte. Bateria może wybuchnąć w ogniu.
- Uważaj, aby nie upuścić lub uderzyć baterii.
- Nie używaj uszkodzonych baterii.
- Aby uniknąć ryzyka, należy zapoznać się z instrukcją obsługi baterii. Maksymalne natężenie wyładowania baterii powinno być większe lub równe 8A.
- Bateria litowo-jonowa podlega wymogom Prawodawstwa dot. towarów niebezpiecznych. Podczas transportu komercyjnego, np. za pośrednictwem zewnętrznej firmy, spedytora, należy przestrzegać specjalnych wymogów dot. pakowania oraz etykiet. Podczas przygotowywania produktu do transportu wymagana jest konsultacja z ekspertem w sprawie niebezpiecznych materiałów. Zwróć także uwagę na możliwe bardziej szczegółowe wytyczne regulacji krajowych. Zaizoluj lub zamaskuj otwarte styki i spakuj baterie w taki sposób, aby nie mogły się przemieszczać w opakowaniu.
- Postępuj zgodnie z miejscowymi regulacjami dotyczącymi wyrzucania baterii.
- Używaj baterii wyłącznie z produktami określonymi przez firmę Makita. Instalacja baterii w produktach niezgodnych może skutkować pożarem, nadmiernym przegrzewaniem się lub wyciekami elektrolitu.

### ⚠ OSTRZEŻENIE:

- Niebezpieczeństwo wybuchu, gdy bateria jest nieprawidłowo wymieniona.**
- Wymieniaj tylko na ten sam typ lub jego ekwiwalent.**
- Używaj wyłącznie oryginalnych baterii Makita. Używanie nieoryginalnych baterii Makita lub baterii, które zostały zmodyfikowane, może skutkować wybuchem baterii, a w rezultacie pożarem, obrażeniami ciała i uszkodzeniami. Spowoduje to także unieważnienie gwarancji Makity na narzędzie oraz ładowarkę.**

### Wskazówki dot. maksymalnej żywotności baterii

- Ładuj baterię przed jej całkowitym rozładowaniem się. Zawsze zatrzymaj urządzenie i naładuj baterię, gdy zauważysz spadek mocy w narzędziu.
- Nigdy nie ładuj w pełni naładowanych baterii. Nadmierne ładowanie skraca żywotność baterii.
- Ładuj baterię w temperaturze pokojowej 10°C - 40°C (50°F - 104°F). Pozwól, aby gorąca bateria ostygła zanim rozpoczniesz jej ładowanie.
- Naładuj baterię, jeżeli nie będziesz jej używać przez dłuższy okres czasu (więcej niż sześć miesięcy).

# CZAS PRACY

\* Poniższa tabela przedstawia czas pracy na pojedynczym ładowaniu.

Pojemność baterii	Napięcie akumulatora					NA WYJŚCIU Z GŁOŚNIKA = 100 mW Jednostka: Godzina (około)	
	7,2 V	10,8 V	10,8 V – maks. 12V	14,4 V	18 V	W trybie Radio lub AUX	W radio z ładowaniem USB (1,0A)
1,0 Ah	BL7010					5,0	0,7
1,3 Ah		BL1013				7,0	0,9
				BL1415		5,5	1,7
					BL1815	6,0	1,9
1,5 Ah	BL0715					7,5	1,0
			BL1015 BL1016			8,5	1,7
				BL1415N		7,0	2,0
					BL1815N	7,5	2,0
2,0 Ah			BL1020B BL1021B			11	2,0
					BL1820 BL1820B	10	3,0
3,0 Ah				BL1430 BL1430B		12	3,5
					BL1830 BL1830B	14	4,0
4,0 Ah			BL1040B BL1041B			21	4,0
				BL1440		19	5,5
					BL1840 BL1840B	20	6,0
5,0 Ah				BL1450		23	6,5
					BL1850 BL1850B	26	8,0
6,0 Ah				BL1460B		25	7,5
					BL1860B	31	9,5

 : Zespół akumulatorów  : Akumulator wsuwany

## **⚠ OSTRZEŻENIE:**

**Używaj wyłącznie baterii wymienionych powyżej. Korzystanie z jakichkolwiek innych baterii może powodować obrażenia lub pożar.**

## **Uwaga:**

Tabela dotycząca czasu pracy na baterii powyżej jest tylko poglądowa. Faktyczny czas pracy baterii może się różnić w zależności od typu baterii, warunków ładowania oraz środowiska użytkowania.

## INSTALACJA I ZASILANIE

### ⚠ UWAGA:

- Uważaj, aby nie przygnieść palców podczas otwierania i zamykania osłony na baterię.
- Po zainstalowaniu lub wyjęciu baterii, przesuń blokadę miejsca na baterie do oryginalnej pozycji. W przeciwnym razie bateria może przypadkowo wypaść z radia, spowodować obrażenia u Ciebie lub osób w Twoim otoczeniu.
- Zawsze zamykaj i blokuj miejsce na baterie zanim przeniesiesz radio.
- Zawsze wyłączaj radio przed zakładaniem lub wyjęciem baterii.
- Uważaj, aby nie upuścić lub uderzyć radia. Odłamek może rozciąć palce lub wbić się w ciało. Uszkodzone radio może wykazywać nieprzewidywalne zachowanie skutkujące pożarem, wybuchem lub wystąpieniem ryzyka obrażeń.

### WAŻNE:

- Zredukowana moc, zniekształcenia, „dźwięk jąkania” lub gdy „POWERFAIL” pojawi się na ekranie są oznakami, że bateria wymaga wymiany.
- Bateria nie może być naładowana przez dostarczony zasilacz AC.
- Bateria nie jest dołączona jako standardowe wyposażenie.

## MONTAŻ LUB DEMONTAŻ AKUMULATORA WSUWANEGO (RYS. 2 I 3)

1. Aby zamontować akumulator, należy wyrównać występ na akumulatorze z rowkiem w obudowie i wsunąć go na swoje miejsce. Akumulator należy zawsze wsunąć do oporu, do momentu jego zablokowania na miejscu, co jest sygnalizowane delikatnym kliknięciem.
2. Jeśli czerwony wskaźnik w górnej części przycisku jest nadal widoczny, oznacza to, że nie został on całkowicie zablokowany. Należy go zamontować całkowicie, tak aby czerwony wskaźnik nie był widoczny. W przeciwnym razie akumulator może przypadkowo wysunąć się z odbiornika radiowego, raniąc operatora lub osoby postronne.
3. Podczas montażu akumulatora nie używać nadmiernej siły. Jeśli nie można go swobodnie wsunąć, prawdopodobnie został on nieprawidłowo włożony.
4. Aby wyjąć baterię, wysuń ją z radia przesuwając przycisk z przodu.

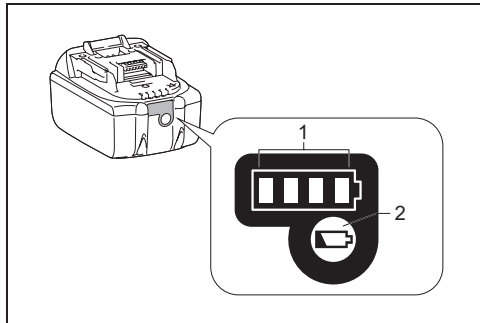
## MONTAŻ LUB DEMONTAŻ ZESPOŁU AKUMULATORÓW (RYS. 4 I 5)

1. Aby zamontować akumulator, wystarczy wyrównać występ na akumulatorze z rowkiem w obudowie i wsunąć go na miejsce.

2. Aby zdemontować akumulator, należy wysunąć go, naciskając przyciski znajdujące się z boków akumulatora.

## WSKAZUJE STAN NAŁADOWANIA AKUMULATORA

- \* *Dotyczy wyłącznie akumulatorów z literą „B” na końcu numeru modelu.*



- **1. Lampki wskaźnikowe** **2. Przycisk kontrolny**  
Nacisnąć przycisk Check (Sprawdź) na akumulatorze, aby sprawdzić stan naładowania akumulatora. Na kilka sekund zaświecą się kontrolki.

- **Baterie 14,4V/18V**

Lampki wskaźnikowe			Pozostało baterii
Zapalony	Wyłączony	Mruga	
■	■	■	75% ~ 100%
■	■	□	50% ~ 75%
■	□	□	25% ~ 50%
■	□	□	0% ~ 25%
▬	□	□	Naładuj baterię
■	□	□	Bateria może nie działać prawidłowo
□	□	■	



● **Baterie 10,8V-12V maks.**

Lampki wskaźnikowe			Pozostało baterii
Zapalony	Wylączony	Mruga	
■	□	▬	75% ~ 100%
■	■	■	50% ~ 75%
■	■	□	25% ~ 50%
■	□	□	0% ~ 25%

**UWAGA:**

W zależności od warunków użytkowania oraz temperatury zewnętrznej, wskaźnik może się nieznacznie różnić od faktycznej pozostałej ilości zasilania.

**MONTAŻ GIĘTKIEJ ANTENY (RYS. 1)**

Wyprostować giętką antenę zgodnie z rysunkiem.

**KORZYSTANIE Z ZASILACZA AC**

Zdejmij gumową ochronę i włóż wtyczkę zasilacza do gniazda DC po prawej stronie radia.

Podłącz adapter do standardowego gniazdka.

Kiedykolwiek używany jest adapter, bateria jest automatycznie odłączana.

**⚠ UWAGA:**

- **Przed przeniesieniem radia zawsze odłączaj całkowicie zasilacz AC. Jeżeli zasilacz AC nie jest odłączony, może spowodować porażenie prądem.**
- **Nigdy nie ciągnij za przewód adaptera. W przeciwnym razie radio może przypadkowo wypaść, spowodować obrażenia u Ciebie lub osób w Twoim otoczeniu.**

**WAŻNE:**

- Zasilacz jest używany jako środek do podłączania radia do zasilania. Gniazdko dla radia musi pozostać dostępne podczas normalnego użytkowania.
- Aby odłączyć radio całkowicie, zasilacz powinien być całkowicie wyjęty z gniazdka elektrycznego.
- Używaj tylko adaptera AC dostarczonego z produktem lub określonym przez firmę Makita.
- Nie trzymaj kabla zasilającego ani wtyczki w ustach. Takie postępowanie może spowodować porażenie prądem.
- Nie dotykaj wtyczki mokrymi lub tłustymi rękami.
- Uszkodzone lub zaplątane przewody podnoszą ryzyko porażenia prądem. Jeżeli przewód jest uszkodzony, wymień go w autoryzowanym centrum serwisowym, aby uniknąć niebezpieczeństwa. Nie używaj przed naprawieniem.
- Po zakończeniu używania zawsze przechowuj

adapter AC poza zasięgiem dzieci. Dzieci bawiące się przewodem są narażone na obrażenia.

**ŁADOWANIE ZA POMOCĄ PORTU ZASILAJĄCEGO USB**

Z przodu odbiornika radiowego znajduje się port USB. Poprzez port USB istnieje możliwość ładowania urządzenia USB.

1. Podłączyc urządzenie USB, takie jak iPod, MP3 lub odtwarzacz CD przy użyciu przewodu USB dostępnego na rynku.
2. Aby włączyć odbiornik radiowy, należy nacisnąć przycisk Power (zasilanie).
3. Nie ma znaczenia, czy odbiornik radiowy jest zasilany prądem AC, czy na baterie, odbiornik radiowy może ładować urządzenie USB, gdy jest on włączony oraz jest w trybie FM/DAB, BT lub AUX, co jest wskazywane, gdy zewnętrzne źródło audio jest podłączone.

**UWAGA:**

- Maksymalna głośność głośnika zostanie zmniejszona w przypadku ładowania za pomocą USB.
- Wejście USB może zapewnić maksymalne zasilanie o natężeniu prądu 1 A i napięciu 5 V.

**WAŻNE:**

- Przed podłączeniem urządzenia USB do portu USB należy zawsze utworzyć kopię zapasową danych znajdujących się na urządzeniu USB. W przeciwnym wypadku istnieje ryzyko utraty danych z jakichkolwiek przyczyn.
- Radio nie może zasilać niektórych urządzeń USB.
- W przypadku nieużywania lub po ładowaniu należy wyjąć przewód USB i zamknąć osłonę.
- Nie podłączać źródła zasilania do portu USB. W przeciwnym wypadku istnieje ryzyko pożaru. Port USB przeznaczony jest wyłącznie do ładowania urządzeń niskonapięciowych. Zawsze umieszczać osłonę na porcie USB w przypadku braku ładowania urządzenia niskonapięciowego.
- Nie wsuwać żadnych gwoździ, przewodów itp. do portu zasilającego USB. W przeciwnym wypadku zwarcia elektryczne może spowodować wydostawanie się dymu lub pożar.
- Nie podłączać wejścia USB do portu USB komputera, ponieważ istnieje duże prawdopodobieństwo uszkodzenia urządzeń.

**SŁUCHANIE RADIA**

Odbiornik radiowy posiada trzy metody strojenia – strojenie automatyczne, strojenie ręczne, przywoływanie za pomocą przycisków programowalnych z pamięcią.

**WYBIERANIE STACJI – DAB**

1. Włączyć odbiornik radiowy, naciskając przycisk Power (zasilanie).

- Wybrać tryb DAB poprzez naciśnięcie przycisku Band (pasma częstotliwości).
- Nacisnąć przycisk Advanced (ustawienie zaawansowane) i obracać pokrętle głośności/strojzenia/wyboru do momentu wyświetlenia na ekranie migającej opcji „Station List” (lista stacji). Nacisnąć pokrętle głośności/strojzenia/wyboru w celu potwierdzenia listy stacji.
- Obrócić pokrętle głośności/strojzenia/wyboru w celu przewinięcia listy dostępnych stacji. Nacisnąć pokrętle w celu wybrania stacji.
- Ustawić wymagany poziom głośności poprzez obrócenie pokrętła głośności/strojzenia/wyboru.

## TRYBY WYŚWIETLANIA – DAB

Niniejszy odbiornik radiowy posiada kilka opcji wyświetlania dla trybu DAB:

Nacisnąć przycisk Info, aby przewinąć dostępne opcje wyświetlane wg następujących liter (od a do g).

- |   |  |
|---|--|
| a. Station name<br>(nazwa stacji)                               | Wskazuje nazwę aktualnie słuchanej stacji.   |
| b. Program type<br>(typ programu)                               | Wskazuje typ aktualnie słuchanej stacji. Np. Pop, Classics, News itp.  |
| c. Multiplex name<br>(nazwa multipleksu)                        | Wskazuje nazwę multipleksu DAB, do którego należy obecnie słuchana stacja.                                   |
| d. Time & date<br>(data i godzina)                              | Wskazuje bieżącą datę i godzinę.   |
| e. Frequency and channel (częstotliwość i kanał)                | Wskazuje częstotliwość oraz numer kanału obecnie słuchanej stacji nadawanej w systemie DAB.                  |
| f. Bit rate/Audio type<br>(prędkość transmisji bitów/typ audio) | Wskazuje cyfrową prędkość transmisji bitów oraz typ audio obecnie słuchanej stacji nadawanej w systemie DAB. |
| g. Signal strength<br>(siła sygnału)                            | Wskazuje siłę sygnału obecnie słuchanej stacji nadawanej w systemie DAB.                                     |

## WYSZUKIWANIE NOWYCH STACJI – DAB

Od czasu do czasu mogą pojawiać się nowe stacje radiowe nadawane w systemie DAB. Istnieje również możliwość zmiany miejsca pobytu w innej części kraju. W takich przypadkach może zaistnieć konieczność ponownego włączenia strojenia odbiornika radiowego w celu wyszukania nowych stacji. W celu umożliwienia wyszukania dostępnych stacji zaleca się przeprowadzenie pełnego strojenia pasma III częstotliwości DAB.

- Nacisnąć przycisk Auto tune (strojenie automatyczne).
- Odbiornik radiowy przeprowadzi pełne strojenie

częstotliwości DAB. Po wyszukaniu nowych stacji wskazanie licznika stacji znajdującego się po lewej stronie wyświetlacza wzrośnie, a stacje zostaną dodane do listy.

## STROJENIE RĘCZNE – DAB

Strojenie ręczne umożliwia przeprowadzenie strojenia odbiornika radiowego w zakresie określonej częstotliwości w paśmie III. Funkcję tę można również stosować w celu lepszego ustawienia anteny lub odbiornika radiowego, tak aby zoptymalizować odbiór danego kanału lub częstotliwości.

- Nacisnąć przycisk Advanced (ustawienie zaawansowane) i obracać pokrętle głośności/strojzenia/wyboru do momentu wyświetlenia na ekranie opcji „Manual Tune” (strojenie ręczne). Nacisnąć pokrętle głośności/strojzenia/wyboru w celu potwierdzenia trybu strojenia ręcznego.
- Obrócić pokrętle głośności/strojzenia/wyboru w celu wybrania wymaganego kanału DAB. Nacisnąć pokrętle głośności/strojzenia/wyboru w celu potwierdzenia wybranej częstotliwości.

## USTAWIENIE KOLEJNOŚCI STACJI – DAB

Niniejszy odbiornik radiowy posiada 3 rodzaje ustawień kolejności stacji do wyboru. Dostępne ustawienia kolejności stacji to: kolejność alfanumeryczna, grupowa oraz wg dostępności.

- Nacisnąć przycisk Advanced (ustawienie zaawansowane).
- Obracać pokrętle głośności/strojzenia/wyboru do momentu pojawienia się na wyświetlaczu opcji „Station order” (kolejność stacji), a następnie nacisnąć pokrętle głośności/strojzenia/wyboru w celu potwierdzenia ustawienia.
- Obrócić pokrętle głośności/strojzenia/wyboru w celu wybrania następujących opcji, a następnie nacisnąć pokrętle, aby potwierdzić ustawienie.

Alphanumeric (kolejność alfanumeryczna)	Sortuje listę stacji alfanumerycznie 0...9 A...Z
Ensemble (grupowa)	Organizuje listę stacji wg multipleksu DAB
Valid (dostępność)	Wskazuje te stacje, których sygnał można wyszukać

## KONTROLA DYNAMIKI SYGNAŁU (DRC) – DAB

Funkcja DRC umożliwia dopasowanie cichych dźwięków w celu ich lepszego słyszalności w przypadku słuchania odbiornika radiowego w środowisku o dużym natężeniu hałasu poprzez zredukowanie zakresu dynamicznego sygnału audio. Istnieją trzy poziomy kompresji zakresu dynamicznego:

DRC 0	Brak kompresji zakresu dynamicznego.
DRC 1/2	Średnia kompresja zakresu dynamicznego.
DRC 1	Maksymalna kompresja zakresu dynamicznego.

1. Włączyć odbiornik radiowy, naciskając przycisk Power (zasilanie).
2. Wybrać pasmo DAB poprzez naciśnięcie przycisku Band (pasmo częstotliwości).
3. Nacisnąć przycisk Advanced (ustawienie zaawansowane) i obracać pokrętkiem głośności/strojenia/wyboru do momentu wyświetlenia na ekranie opcji „DRC Value” (wartość DRC). Następnie nacisnąć pokrętko głośności/strojenia/wyboru w celu potwierdzenia ustawienia. Na wyświetlaczu pojawi się aktualna wartość DRC.
4. Obrócić pokrętkiem głośności/strojenia/wyboru w celu wybrania wymaganego ustawienia DRC.
5. Nacisnąć pokrętko głośności/strojenia/wyboru w celu potwierdzenia ustawienia.

## STROJENIE AUTOMATYCZNE – FM

1. Włączyć odbiornik radiowy, naciskając przycisk Power (zasilanie).
2. Wybrać wymagane pasmo częstotliwości poprzez naciśnięcie przycisku Band (pasmo częstotliwości). Upewnić się, że miękka, giętka antena została prawidłowo ustawiona w celu uzyskania najlepszego sygnału pasma częstotliwości FM. Unikać ustawienia odbiornika radiowego w pobliżu ekranu komputera lub innego sprzętu, mogącego przyczynić się do zakłócenia pracy odbiornika radiowego.
3. Nacisnąć przycisk Auto tune (strojenie automatyczne). Odbiornik radiowy rozpocznie wyszukiwanie stacji, a po jej znalezieniu automatycznie zatrzyma strojenie. Odbiornik radiowy ponownie rozpocznie wyszukiwanie następnej dostępnej stacji dopóki użytkownik nie naciśnie przycisku Auto tune (strojenie automatyczne) w celu zatrzymania strojenia.
4. Obrócić pokrętkiem głośności/strojenia/wyboru w celu ustawienia wymaganego poziomu głośności. Na wyświetlaczu LCD zostanie wyświetlona zmiana poziomu głośności.
5. Aby wyłączyć odbiornik radiowy, należy nacisnąć przycisk Power (zasilanie).

## STROJENIE FM

W przypadku korzystania z trybu FM, niniejszy odbiornik radiowy można ustawić na strojenie stacji lokalnych lub strojenie wszystkich stacji, włączając odległe stacje radiowe.

1. Włączyć odbiornik radiowy, naciskając przycisk Power (zasilanie).
2. Naciśnij przycisk pasma, aby wybrać pasmo FM.

3. Naciśnij przycisk ustawień zaawansowanych, a następnie przekręć pokrętko głośności/wyboru do momentu aż na ekranie pojawi się „FM Scan Zone”. Naciśnij pokrętko głośności/wyboru, aby wejść do ustawienia.
4. Przekręć pokrętko głośności/wyboru, aby na niższej linijce wyświetlacza przełączyć między opcjami „Local” (tylko silne stacje) oraz „Distant” (wszystkie stacje). Opcja Distant pozwoli radiu na odnalezienie podczas skanowania słabszych sygnałów.
5. Naciśnij pokrętko głośności/wyboru, aby potwierdzić wybór. Ustawienie Local lub Distant jest przechowywane radiu i pozostaje aktywne do momentu zmiany podczas resetu systemu.

## STROJENIE RĘCZNE – FM

1. Włączyć odbiornik radiowy, naciskając przycisk Power(zasilanie).
2. Nacisnąć przycisk Band (pasmo częstotliwości) w celu wybrania wymaganego pasma częstotliwości. Ustawić antenę zgodnie z powyższym opisem.
3. Obracanie pokrętkiem głośności/strojenia/wyboru powoduje przyrost częstotliwości o: FM: 50 kHz  
**Uwaga:**  
W celu wyszukania wymaganej stacji za pomocą pokrętkła głośności/strojenia/wyboru należy nacisnąć pokrętko głośności/strojenia/wyboru, aby włączyć tryb strojenia.
4. Obracać pokrętkiem głośności/strojenia/wyboru do momentu ustawienia wymaganej częstotliwości wskazanej na wyświetlaczu.
5. Obrócić pokrętkiem głośności/strojenia/wyboru w celu ustawienia wymaganego poziomu głośności.
6. Aby wyłączyć odbiornik radiowy, należy nacisnąć przycisk Power (zasilanie).

## TRYBY WYŚWIETLANIA – FM (RDS)

Niniejszy odbiornik radiowy posiada kilka opcji wyświetlania dla trybu FM:

Naciskaj przycisk Info, aby zobaczyć informację RDS (Radio data system) stacji, której słuchasz.

- |                                      |  |
|--------------------------------------|--|
| a. Program station (stacja programu) | Wskazuje nazwę aktualnie słuchanej stacji.                               |
| b. Frequency (częstotliwość)         | Wskazuje częstotliwość sygnału FM.                                       |
| c. Radio text (komunikaty radiowe)   | Wskazuje komunikaty tekstowe odbiornika radiowego, np. nowe pozycje itp. |
| d. Program type (rodzaj programu)    | Wyświetla rodzaj aktualnie słuchanej stacji, np. Pop, Classic, News itp. |
| e. Time & date (data i godzina)      | Wskazuje bieżącą datę i godzinę.   |

## PROGRAMOWANIE STACJI W PAMIĘCIACH PRZYCISKÓW PROGRAMOWALNYCH (DAB I FM)

Odbiornik radiowy posiada 5 przycisków programowalnych dla każdego pasma częstotliwości.

1. Włączyć odbiornik radiowy, naciskając przycisk Power (zasilanie).
2. Ustawić wymaganą stację za pomocą jednej z wcześniej opisanych metod.
3. Nacisnąć i przytrzymać wymagany przycisk Preset (przycisk programowalny) do momentu wyświetlenia numeru przycisku programowalnego, na przykład: „P2 Saved” (P2 zapisany). Stacja zostanie zapisana pod wybranym przyciskiem Preset (przyciskiem programowalnym).
4. Powtórzyć powyższą procedurę dla pozostałych przycisków programowalnych.
5. Stacje zapisane w pamięciach przycisków programowalnych mogą być nadpisane zgodnie z powyższą procedurą.

## PRZYWOŁYWANIE STACJI Z PAMIĘCI PRZYCISKÓW PROGRAMOWALNYCH (DAB I FM)

1. Włączyć odbiornik radiowy, naciskając przycisk Power (zasilanie).
2. Nacisnąć przycisk Band (pasma częstotliwości) w celu wybrania wymaganego pasma częstotliwości.
3. Nacisnąć na chwilę wymagany przycisk Preset (przycisk programowalny). Numer przycisku programowalnego oraz częstotliwość stacji radiowej pojawiają się na wyświetlaczu.

## SŁUCHANIE MUZYKI POPRZEC STRUMIENIOWANIE BLUETOOTH

Musisz sparować swoje urządzenie Bluetooth z radiem zanim będziesz mógł automatycznie połączyć i odtwarzać/strumieniować muzykę poprzez radio. Parowanie tworzy „powiązanie”, które umożliwi rozpoznawanie się urządzeń.

### UWAGA:

Aby uzyskać lepszą jakość dźwięku, zalecamy ustawienie głośności na powyżej jedną trzecią poziomu na twoim urządzeniu Bluetooth, a następnie w miarę potrzeby dostosowanie głośności radia.

## PAROWANIE TWOJEGO URZĄDZENIA BLUETOOTH PO RAZ PIERWSZY

1. Naciśnij przycisk zasilania, aby włączyć radio. Naciśnij przycisk pasma, aby wybrać pasmo Bluetooth. Wskaźnik Bluetooth na przyciskach wstępnie skonfigurowanych zamruga na niebiesko, aby wskazać,

że radio jest wykrywalne.

2. Aktywuj Bluetooth na swoim urządzeniu zgodnie z instrukcją obsługi użytkownika urządzenia, aby połączyć się z radiem. Zlokalizuj listę urządzeń Bluetooth i wybierz urządzenie o nazwie „DMR112”; przy niektórych telefonach komórkowych (które mają wcześniejszą wersję niż Bluetooth 2.1), będziesz musiał wprowadzić kod „0000”.
3. Po podłączeniu, wyemitowany zostanie sygnał dźwiękowy potwierdzenia i lampka wskaźnikowa Bluetooth na przyciskach wstępnie skonfigurowanych będzie się paliła ciągle na niebiesko. Możesz po prostu wybrać i odtworzyć jakąkolwiek muzykę z Twojego urządzenia. Głośność może być kontrolowana z urządzenia źródłowego lub bezpośrednio na radiu.
4. Użyj kontrolerów na Twoim urządzeniu Bluetooth lub na radiu, aby odtwarzać/wstrzymać lub zmienić utwór.

### UWAGA:

1. Jeżeli 2 urządzenia Bluetooth parują się po raz pierwszy, oba wyszukają radio i oba będą wyświetlać jego dostępność. Jednakże, jeżeli jedno urządzenie połączy się z jednostką jako pierwsze, wtedy drugie urządzenie nie będzie w stanie znaleźć go na liście.
2. Jeżeli Twoje urządzenie Bluetooth jest tymczasowo odłączone od radia, będziesz musiał ponownie połączyć się z radiem ręcznie.
3. Jeżeli „DMR112” wyświetla się na Twojej liście urządzeń Bluetooth, ale urządzenie nie może się połączyć, usuń element z listy i sparuj urządzenie z radiem ponownie, postępując z zgodnie z krokami opisanymi wcześniej.
4. Optymalny zakres strumieniowania Bluetooth to około 10 metrów (30 stóp) (w zasięgu wzroku) do radia, ale możliwa jest odległość do 30 metrów (100 stóp).
5. Jeżeli połączenie Bluetooth jest utracone z powodu przekroczenia czasu rozłączenia, przekroczenia optymalnej odległości, przeszkód lub w inny sposób, może być konieczne ponowne połączenie urządzenia z radiem.
6. Fizyczne przeszkody, inne bezprzewodowe urządzenia lub urządzenia elektromagnetyczne mogą wpływać na jakość połączenia.
7. Wydajność połączenia Bluetooth może się różnić w zależności od podłączonego urządzenia Bluetooth. Zobacz wydajność swojego urządzenia Bluetooth zanim podłączysz go do radia. Wszystkie funkcje mogą nie być obsługiwane na sparowanych urządzeniach Bluetooth.

## ODTWARZANIE PLIKÓW AUDIO W TRYBIE BLUETOOTH

Po pomyślnym podłączeniu do Twojego radia do wybranego urządzenia Bluetooth, możesz rozpocząć odtwarzanie muzyki używając kontrolerów na podłączonym urządzeniu Bluetooth.

1. Po rozpoczęciu odtwarzania, dostosuj głośność używając pokrętki głośności na radiu lub na urządzeniu Bluetooth.
2. Użyj kontrolerów na Twoim urządzeniu lub, aby odtwarzać/wstrzymać lub zmienić utwór.

#### **UWAGA:**

1. Nie wszystkie aplikacje odtwarzaczy lub urządzenia mogą reagować na te działania.
2. Niektóre telefony komórkowe mogą tymczasowo odłączać się od Twojego radia, gdy wykonujesz lub odbierasz połączenie telefoniczne. Niektóre urządzenia mogą tymczasowo wyciszać strumieniowanie audio poprzez Bluetooth, gdy otrzymują wiadomości tekstowe, e-maile lub z innych powodów nie związanych ze strumieniowaniem. Takie zachowanie jest funkcją podłączonego urządzenia i nie oznacza, że Twoje radio jest zepsute.

## **ODTWARZANIE WCZEŚNIEJ SPAROWANEGO URZĄDZENIA BLUETOOTH**

Radio może zapamiętać do 8 zestawów sparowanych urządzeń, gdy pamięć przekroczy tę ilość, najstarsze sparowane urządzenie zostanie nadpisane. Jeżeli Twoje urządzenie Bluetooth zostało wcześniej sparowane z radiem, jednostka zapamięta Twoje urządzenie i spróbuje się z nim połączyć, gdy połączenie zostanie utracone. Jeżeli poprzednio podłączone urządzenie nie jest dostępne, radio będzie wykrywalne.

## **ODŁĄCZANIE TWOJEGO URZĄDZENIA BLUETOOTH**

Naciśnij i przytrzymaj przycisk parowania Bluetooth przez 2-3 sekundy, aby rozłączyć urządzenie Bluetooth. Wskaźnik Bluetooth na przyciskach wstępnie skonfigurowanych zamruga na niebiesko, aby wskazać, że radio jest wykrywalne do ponownego parowania.

## **GNIAZDO WEJŚCIA AUDIO**

Dostępne są dwa 3,5 mm wejścia audio stereo. Jedno znajduje się z przodu radia (AUX IN 1); drugie znajduje się w miejscu na baterie (AUX IN 2).

1. Podłącz zewnętrzne źródło dźwięku (np. iPod, MP3 lub odtwarzacz CD) do gniazda wejścia audio przy pomocy przewodu audio.
2. Naprzemiennie naciskaj i zwalnij przycisk pasma aż na wyświetlaczu pojawi się „AUX IN 1” lub „AUX IN 2”, wtedy funkcja jest aktywowana.
3. Aby uzyskać lepszą jakość dźwięku, zalecamy ustawienie głośności na powyżej jedną trzecią poziomu na twoim urządzeniu audio, a następnie w miarę potrzeby dostosowanie głośności radia.

#### **UWAGA:**

Przewód audio nie jest dołączony jako standardowe

wyposażenie.

## **INNE USTAWIENIA**

### **OPCJE WERSJI JĘZYKOWEJ**

W odbiorniku radiowych dostępnych jest osiem opcji wersji językowej: angielska, niemiecka, włoska, francuska, holenderska, duńska, norweska i hiszpański.

1. Nacisnąć przycisk Advanced (ustawienie zaawansowane).
2. Obracać pokrętkę głośności/strojenia/wyboru do momentu wyświetlenia opcji „Language” (język) na wyświetlaczu. Nacisnąć pokrętkę głośności/strojenia/wyboru w celu potwierdzenia ustawienia.
3. Obrócić pokrętkę głośności/strojenia/wyboru w celu wybrania wymaganego języka. Nacisnąć pokrętkę głośności/strojenia/wyboru w celu potwierdzenia ustawienia.

### **USTAWIENIE JASNOŚCI**

Podświetlenie przycisków może być regulowane.

1. Nacisnąć przycisk Advanced (ustawienie zaawansowane).
2. Przekręć pokrętkę głośności/wyboru aż pojawi się „Button Light” na ekranie. Naciśnij pokrętkę głośności/wyboru, aby wejść do ustawienia.
3. Przekręć pokrętkę głośności/wyboru, aby wybrać „On” lub „Off”, aby włączyć lub wyłączyć funkcję podświetlania przycisków, następnie naciśnij pokrętkę głośności/wyboru, aby potwierdzić ustawienie.

### **RESETOWANIE SYSTEMU**

W przypadku nieprawidłowego działania odbiornika radiowego lub braku wyświetlania wszystkich cyfr na wyświetlaczu, należy przeprowadzić następującą procedurę.

1. Nacisnąć przycisk Advanced (ustawienie zaawansowane).
2. Obracać pokrętkę głośności/strojenia/wyboru do momentu wyświetlenia opcji „Factory Reset” (ustawienia fabryczne) na wyświetlaczu. Nacisnąć pokrętkę głośności/strojenia/wyboru w celu potwierdzenia ustawienia.
3. Obrócić pokrętkę głośności/strojenia/wyboru w celu wybrania opcji „Yes” (tak). Nacisnąć pokrętkę głośności/strojenia/wyboru w celu potwierdzenia ustawienia i całkowitego zresetowania ustawień.

### **Wersja oprogramowania**

1. Nacisnąć przycisk Advanced (ustawienie zaawansowane).
2. Obracać pokrętkę głośności/strojenia/wyboru do momentu wyświetlenia opcji „SW Version” (wersja oprogramowania) na wyświetlaczu. Nacisnąć pokrętkę

głośności/strojenia/wyboru w celu wyświetlenia wersji oprogramowania zainstalowanego w odbiorniku radiowym.

## PORT MICRO USB UMOŻLIWIAJĄCY AKTUALIZACJĘ OPROGRAMOWANIA

W przyszłość istnieje możliwość dostępności aktualizacji oprogramowania posiadanego odbiornika radiowego. Na stronie internetowej firmy Makita udostępniane są informacje dotyczące dostępności nowych aktualizacji oprogramowania oraz sposobu ich przeprowadzenia w odbiorniku radiowym.

## KONSERWACJA

### UWAGA:

Nie wolno używać benzyny, benzenu, rozpuszczalnika, alkoholu itp. Substancje takie mogą spowodować odbarwienia, odkształcenia lub pęknięcia.

## DANE TECHNICZNE

Dane dotyczące zasilania	
Zasilacz prądu zmiennego	12 V DC 1,2A, środkowy wtyk dodatni
Akumulator	Zespół akumulatorów: 7,2 V - 10,8 V Akumulator wsuwany: 10,8 V - 18 V
Zakres częstotliwości	FM 87,50 - 108 MHz DAB/DAB+ 174,928-239,200 MHz
DAB/DAB+ Blokada kanału	DAB (pasmo III) 5A-13F
Zgodność ze standardem	DAB/DAB+

Bluetooth®	
(Znak słowny i logo Bluetooth® są zarejestrowanymi znakami towarowymi należącymi do Bluetooth SIG, Inc.)	
Wersja Bluetooth	4,0
Profile Bluetooth	A2DP/SCMS-T
Moc transmisji	Klasa mocy 2
Zakres transmisji	Optymalnie: maks. 10 metrów (33 stóp) Możliwe: maks. 30 metrów (100 stóp) (różni się w zależności od warunków)
Obsługiwany kodek	SBC,AAC
Kompatybilny profil Bluetooth	A2DP
Maksymalna moc częstotliwości radiowej:	BT EDR: 3,12dBm BT LE: 2,31dBm
Częstotliwość pracy	2402MHz~2480MHz

Charakterystyka obwodu	
Głośnik	3,5 cala, 32 omów x 2
Moc wyjściowa	7,2 V: 0,6 W X 2 12V maks:1,7 W X 2 14,4 V: 3 W X 2 18 V: 4,9 W X 2
Gniazdo wejścia	Śred. 3,5 mm (wejście AUX 1/AUX 2)
System antenowy	DAB/FM: giętka antena
Wymiary (dł. x szer. x wys.)	282 × 163 × 294 mm
Masa	4,3KG (bez akumulatora)

## DEUTSCH (Originalanweisungen)

### Erläuterung der Gesamtdarstellung (Abb. 1~5)

1. Flexible Antenne
2. Verriegelung Batteriefach
3. Griff
4. Batteriefachabdeckung  
(Schutz der Batteriehalterung)
5. DC-Eingang
6. Lautsprecher
7. Betriebstaste
8. Frequenzbandtaste
9. Einstellungstaste
10. Info-Taste
11. Speicherplätze 2-5
12. Automatische Sendersuche
13. Lautstärke/Tuning/Auswahl-Regler
14. USB-Ladeanschluss
15. AUX-Eingang 1
16. Speicherplatz 1/Bluetooth-Kopplung
17. LCD-Anzeige
18. Eingang (AUX 2)
19. Batteriefach
20. Micro-USB-Port für Softwareaktualisierung
21. Batteriehalterung

### SYMBOLE

Im Folgenden sind die im Zusammenhang mit diesem Gerät verwendeten Symbole dargestellt. Machen Sie sich vor der Benutzung des Geräts unbedingt mit diesen Symbolen vertraut!



Lesen Sie die Betriebsanleitung.



Nur für EU-Länder.

Entsorgen Sie Elektrowerkzeuge, Batterien und Akkus nicht über den Hausmüll!

Gemäß der Europäischen Richtlinie über Elektro- und Elektronik- Altgeräte und über Batterien und Akkumulatoren sowie Altbatterien und Altakkumulatoren und ihrer Umsetzung in nationales Recht müssen verbrauchte Elektrowerkzeuge sowie Altbatterien und Altakkumulatoren getrennt gesammelt und einer umweltgerechten Wiederverwertung zugeführt werden.

## WICHTIGE SICHERHEITSHINWEISE

### ⚠️ **WARNUNG:**

Bei der Verwendung von Elektrogeräten müssen stets grundlegende Sicherheitsmaßnahmen befolgt werden, zu denen auch die im Folgenden genannten gehören, um die Gefahr von Verletzungen, Stromschlägen und Bränden zu verringern.

1. Lesen Sie vor der Verwendung des Geräts die vorliegende Betriebsanleitung sowie die Betriebsanleitung zum Ladegerät aufmerksam durch.
2. Reinigen Sie dieses Gerät lediglich mit einem trockenen Tuch.
3. Stellen Sie dieses Gerät nicht in der Nähe von Wärmequellen wie etwa Radiatoren, Heizregistern, Öfen oder anderen wärmeerzeugenden Apparaturen (einschließlich Verstärker) auf.
4. Verwenden Sie ausschließlich vom Hersteller vorgegebene Anbaugeräte bzw. Zubehörteile.
5. Ziehen Sie bei einem Gewitter, oder wenn Sie das Gerät für längere Zeit nicht verwenden, den Netzstecker dieses Geräts.
6. Ein akkubetriebenes Radio mit eingebauten Akkus oder einem herausnehmbaren Akkupack darf nur mit dem angegebenen Ladegerät geladen werden. Ein für einen bestimmten Akkutyp vorgesehenes Ladegerät kann Feuer verursachen, wenn es für andere Akkus verwendet wird.
7. Ein akkubetriebenes Radio darf nur mit den dafür speziell vorgesehenen Akkupacks verwendet werden. Bei Verwendung anderer Akku besteht Brandgefahr.
8. Wenn sich der Akkupack nicht im Werkzeug befindet, dann halten Sie ihn fern von metallenen Objekten, wie etwa: Büroklammern, Münzen, Schlüssel, Nägel, Schrauben oder anderen kleinen Metallgegenständen, die eine Verbindung zwischen den Akkuanschlüssen herstellen können. Ein Kurzschluss der Akkukontakte kann Funken oder Verbrennungen verursachen und stellt eine Brandgefahr dar.
9. Vermeiden Sie Körperkontakt mit geerdeten Flächen wie Rohren, Radiatoren, Herdplatten und Heiz- und Kühlelementen. Wenn Ihr Körper geerdet ist, besteht bei einem elektrischen Schlag eine erhöhte Gefahr.
10. Bei unsachgemäßem Gebrauch kann Flüssigkeit aus dem Akku austreten; vermeiden Sie in diesem Fall jeglichen Kontakt mit der Flüssigkeit. Wenn Sie versehentlich mit Flüssigkeit aus dem Akku in Berührung geraten, waschen Sie die betroffene Stelle gründlich mit Wasser ab. Wenn die Flüssigkeit in die Augen geraten ist, suchen Sie anschließend umgehend einen Arzt auf. Die aus dem Akku austretende Flüssigkeit kann Hautreizungen und Verbrennungen verursachen.
11. Enden Sie Akkus oder Werkzeuge nicht, falls diese beschädigt sind. Mit beschädigten oder modifizierten Batterien können unvorhergesehene Situationen auftreten, die wiederum Explosionen oder Verletzungen verursachen könnten.
12. Schützen Sie Akkus und Instrumente vor Feuer bzw.

übermäßigen Temperaturen. Temperaturen über 130 °C können Explosionen verursachen.

13. Befolgen Sie alle Anleitungen zum Aufladen; laden Sie den Akku oder das Instrument nicht außerhalb des vorgegebenen Temperaturbereichs auf. Falls Sie den Akku unsachgemäß oder außerhalb der richtigen Temperatur aufladen, besteht erhöhte Brandgefahr.
14. Der NETZSTECKER ist die Trennvorrichtung und muss immer zugänglich sein.
15. Verwenden Sie das Produkt nicht über längere Zeiträume mit hoher Lautstärke. Wählen Sie eine moderate Lautstärkeeinstellung, um Gehörschäden zu vermeiden.
16. (Nur für Produkte mit LCD) LCD-Bildschirme enthalten Flüssigkeit, die Hautreizungen und Vergiftung verursachen kann. Falls die Flüssigkeit in Augen, Mund oder auf die Haut gelangt, spülen Sie die betroffenen Stellen mit Wasser ab und wenden Sie sich an einen Arzt.
17. Schützen Sie das Produkt vor Regen oder Feuchtigkeit. Eindringendes Wasser kann die Gefahr von Stromschlägen erhöhen.
18. Dieses Produkt ist nicht geeignet für Personen (einschließlich Kinder) mit eingeschränkten körperlichen, sensorischen oder geistigen Fähigkeiten, oder ohne Erfahrung und Wissen, es sei denn sie werden von einer für ihre Sicherheit zuständigen Person beaufsichtigt oder angeleitet. Kinder müssen beaufsichtigt werden, damit sie nicht mit dem Produkt spielen. Bewahren Sie das Produkt außer Reichweite von Kindern auf.

## BEWAHREN SIE DIESE ANLEITUNG SORGFÄLTIG AUF.

### SPEZIELLE

#### SICHERHEITSGESETZE FÜR AKKUBLOCK

1. Lesen Sie vor der Verwendung des Akkublocks alle Anweisungen und Sicherheitshinweise für das Akkuladegerät (1), den Akku (2) und das Produkt (3), für das der Akku verwendet wird, sorgfältig durch.
2. Der Akkublock darf nicht zerlegt werden.
3. Falls die Betriebsdauer erheblich kürzer wird, beenden Sie den Betrieb umgehend. Andernfalls besteht die Gefahr einer Überhitzung sowie das Risiko möglicher Verbrennungen und sogar einer Explosion.
4. Wenn Elektrolyt in Ihre Augen gerät, waschen Sie diese mit klarem Wasser aus und suchen Sie sofort einen Arzt auf. Andernfalls können Sie Ihre Sehfähigkeit verlieren.
5. Vermeiden Sie einen Kurzschluss des Akkublocks:
  - (1) Die Kontakte dürfen nicht mit leitendem Material in Berührung kommen.
  - (2) Der Akkublock darf nicht in einem Behälter aufbewahrt werden, in dem sich andere metallische Gegenstände wie beispielsweise Nägel, Münzen usw. befinden.
  - (3) Der Akkublock darf weder Feuchtigkeit noch Regen ausgesetzt werden. Ein Kurzschluss des Akkus kann zu hohem Kriechstrom, Überhitzung,

möglichen Verbrennungen und sogar zu einer Zerstörung des Werkzeugs führen.

6. Werkzeug und Akkublock dürfen nicht an Orten aufbewahrt werden, an denen Temperaturen von 50°C oder darüber erreicht werden können.
7. Beschädigte oder verbrauchte Akkus dürfen nicht verbrannt werden. Der Akkublock kann in den Flammen explodieren.
8. Lassen Sie den Akku nicht fallen und vermeiden Sie Schläge gegen den Akku.
9. Verwenden Sie niemals einen beschädigten Akku.
10. Lesen Sie die Anleitung zum Austauschen des Akkus sorgfältig durch, um Gefahren zu vermeiden. Und der max. Entladestrom des Akkus muss größer oder gleich 8 A sein.
11. enthaltene Lithium-Ion-Batterien unterliegen den Vorschriften des Gefahrgutrechts. Während des Transports, z.B. durch Dritte oder Spediteure, sind spezielle Anforderungen auf der Verpackung und den Etiketten zu beachten. Vor dem Versand des Produkts muss ein Experte für Gefahrstoffe konsultiert werden. Beachten Sie außerdem national geltende Vorschriften. Kleben Sie freiliegende Kontakte ab und verpacken Sie die Batterie so, dass sie nicht in der Verpackung herumschüttelt.
12. hten Sie alle örtlich geltenden Vorschriften bzgl. der Entsorgung von Batterien.
13. Verwenden Sie die Batterien nur mit den von Makita vorgegebenen Produkten. Falls Sie die Batterien in nicht kompatiblen Produkten installieren, können Feuer, Überhitzung und Explosion verursacht werden oder Batterieflüssigkeit austreten.

#### ⚠ **ACHTUNG:**

- Bei unsachgemäßer Verwendung von Ersatzakkus besteht Explosionsgefahr.
- Als Ersatzteile dürfen nur Akkus des gleichen Typs verwendet werden.
- Verwenden Sie nur echte Makita Batterien. Unechte Makita Batterien oder modifizierte Batterien können zum Zerplatzen der Batterie führen und dadurch Feuer, Verletzungen und Schäden verursachen. In solch einem Fall wird außerdem die Makita Garantie für Makita Instrumente und Ladegeräte nichtig.

#### Tipps für eine maximale Nutzungsdauer der Batterie

1. Laden Sie die Batterie auf, bevor diese vollständig entladen ist. Beenden Sie den Betrieb und laden Sie die Batterie auf, wenn die Leistung des Geräts nachlässt.
2. Laden Sie eine vollständig geladene Batterie nicht weiter auf. Überladung verkürzt die Lebensdauer.
3. Laden Sie die Batterie bei einer Umgebungstemperatur von 10 °C - 40 °C (50 °F - 104 °F) auf. Lassen Sie ein heißes Batteriegehäuse vor dem Aufladen abkühlen.
4. Laden Sie die Batterie, falls Sie das Gerät längere Zeit (länger als 6 Monate) nicht verwenden werden.



# BETRIEBSDAUER

\* Die nachfolgende Tabelle ist eine Übersicht mit der jeweiligen Betriebsdauer pro Batterieladung.

Akkuladung	Nennspannung des Akkublocks					BEI LAUTSPRECHERAUSGABE = 100mW Einheit: Stunden (Ca.)	
	7,2 V	10,8 V	10,8 V – 12Vmax	14,4 V	18 V	Im Radiobetrieb oder über AUX- Buchse	Im Radiobetrieb mit USB-Aufladung (1,0A)
1,0 Ah	BL7010					5,0	0,7
1,3 Ah		BL1013				7,0	0,9
				BL1415		5,5	1,7
					BL1815	6,0	1,9
1,5 Ah	BL0715					7,5	1,0
			BL1015 BL1016			8,5	1,7
				BL1415N		7,0	2,0
					BL1815N	7,5	2,0
2,0 Ah			BL1020B BL1021B			11	2,0
					BL1820 BL1820B	10	3,0
3,0 Ah				BL1430 BL1430B		12	3,5
					BL1830 BL1830B	14	4,0
4,0 Ah			BL1040B BL1041B			21	4,0
				BL1440		19	5,5
					BL1840 BL1840B	20	6,0
5,0 Ah				BL1450		23	6,5
					BL1850 BL1850B	26	8,0
6,0 Ah				BL1460B		25	7,5
					BL1860B	31	9,5

□ : Aufsteckakku    ▒ : Einschubakku

## ⚠ **WARNUNG:**

**Verwenden Sie nur die oben aufgeführten Batteriekarten. Die Verwendung anderer Batteriekarten kann Verletzungen und/oder Feuer verursachen.**

## **Hinweis:**

Die Nutzungsdauern in der obigen Tabelle sind nur Richtwerte. Die tatsächliche Nutzungsdauer kann je nach Batterie-Typ, Ladebedingungen bzw. Gebrauchsumgebung variieren.

# INSTALLATION UND STROMVERSORGUNG

## ⚠ VORSICHT:

- Achten Sie beim Öffnen und Schließen der Batteriefachabdeckung darauf, Ihre Finger nicht einzuklemmen.
- Bringen Sie die Verriegelung des Batteriefachs nach der Installation oder Entnahme der Batteriehalterung wieder zur Ausgangsposition zurück. Andernfalls könnte die Batteriehalterung versehentlich aus dem Radio herausfallen und dadurch Verletzungen verursachen.
- Schließen und sichern Sie die Verriegelung des Batteriefachs, bevor Sie das Radio umstellen.
- Schalten Sie das Radio immer aus, bevor Sie die Batteriehalterung installieren oder entfernen.
- Lassen Sie das Radio nicht herunterfallen und schützen Sie es vor Aufprällen. Ein kaputtes Gehäuse könnte Verletzungen an Fingern und Körper verursachen. Ein beschädigtes Radio kann unvorhersehbar reagieren und als Folge Feuer, Explosionen oder Verletzungen verursachen.

## WICHTIG:

- Eine verminderte Leistung, Verzerrungen, „stotternde“ Geräusche oder die Anzeige „POWERFAIL“ sind alle Anzeichen dafür, dass die Batterie ersetzt werden muss.
- Die Batteriehalterung kann nicht über den mitgelieferten AC-Netzadapter aufgeladen werden.
- Die Batteriehalterung ist kein Standardzubehör des Produkts.

## Einschubakku einsetzen bzw. entfernen (Abb. 2 & 3)

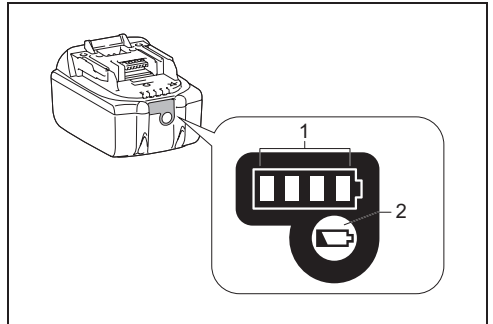
1. Zum Einsetzen des Akkublocks müssen Sie die Akkublockzunge zur inneren Gehäusenut ausrichten und den Akkublock in Position schieben. Setzen Sie den Akkublock unbedingt vollständig ein, bis er mit einem Klick einrastet.
2. Ist weiterhin der oben auf der Taste befindliche rote Bereich sichtbar, dann ist der Akkublock nicht ganz eingerastet. Setzen Sie den Akkublock vollständig ein, bis der rote Bereich nicht mehr sichtbar ist. Andernfalls kann der Block versehentlich aus dem Gerät fallen und Sie oder Personen in Ihrem Umfeld verletzen.
3. Wenden Sie keine Gewalt beim Einsetzen des Akkublocks an. Wenn der Akkublock nicht leicht hineingleitet, dann haben Sie ihn nicht richtig ausgerichtet.
4. Um die Batterie zu entfernen, schieben Sie diese aus dem Radio heraus, während Sie die Taste an der Vorderseite der Halterung verschieben.

## Aufsteckakku einsetzen bzw. entfernen (Abb. 4 & 5)

1. Zum Einsetzen des Akkublocks müssen Sie die Akkublockzunge an der inneren Gehäusenut ausrichten und den Akkublock hineinschieben.
2. Drücken Sie zum Entfernen des Akkublocks die an der Akkuseite befindlichen Knöpfe und ziehen Sie den Akkublock heraus.

## Anzeigen der Restladung des Akkus

\* Nur für Akkublöcke mit einem „B“ am Ende der Modellnummer



### ➤ 1. Anzeigelampen 2. Test-Taste

Drücken Sie zum Anzeigen der Restladung des Akkus die Akkuprüftaste. Die Anzeigelampen leuchten dann wenige Sekunden lang auf.

### • 14,4V/18V Batterien

Anzeigelampen			Verbleibende Kapazität
Leuchtet	Aus	Blinkt	
■ ■ ■ ■			75% ~ 100%
■ ■ ■ □			50% ~ 75%
■ ■ □ □			25% ~ 50%
■ □ □ □			0% ~ 25%
▬ □ □ □			Batterie aufladen
■ ■ □ □			Mögliche Fehlfunktion der Batterie
□ □ ■ ■			

- **Max. 10,8V-12V Batterien**

Anzeigelampen			Verbleibend Kapazität
Leuchtet	Aus	Blinkt	
■	□	▬	75% ~ 100%
■	■	□	50% ~ 75%
■	□	□	25% ~ 50%
■	□	□	0% ~ 25%

**HINWEIS:**

Je nach Gebrauchsbedingungen und Umgebungstemperatur können die Anzeigen leicht von der tatsächlichen Kapazität abweichen.

**Betrieb mit flexibler Stabantenne (Abb. 1)**

Richten Sie die flexible Stabantenne wie in der Abbildung dargestellt auf.

**Betrieb mit mitgeliefertem Netzadapter**

Entfernen Sie die Gummiabdeckung und schließen Sie den Adapterstecker an die DC-Buchse rechts am Radio an.

Schließen Sie den Netzadapter an eine herkömmliche Steckdose an.

Während des Gebrauchs des Netzadapters wird die Batterie automatisch getrennt.

**⚠ VORSICHT:**

- **Trennen Sie den AC-Netzadapter immer vollständig, bevor Sie das Radio umstellen. Anderenfalls besteht Stromschlaggefahr.**
- **Ziehen Sie niemals am Kabel des Netzadapters. Anderenfalls könnte das Radio herunterfallen und dadurch Verletzungen verursachen.**

**WICHTIG:**

- Der Netzadapter ist die Trennvorrichtung des Radios vom Netzstrom. Die verwendete Steckdose muss während des normalen Gebrauchs immer frei zugänglich sein.
- Ziehen Sie den Netzadapter vollständig aus der Steckdose heraus, um das Radio vom Netzstrom zu trennen.
- Verwenden Sie nur das im Lieferumfang enthaltene bzw. ein von Makita empfohlenes AC-Netzteil.
- Halten Sie weder das Netzkabel noch den Netzstecker an Ihren Mund. Es besteht Stromschlaggefahr.
- Berühren Sie den Netzstecker nicht mit nassen oder fettigen Händen.
- Beschädigte oder verhedderte Kabel erhöhen die Stromschlaggefahr. Falls das Kabel beschädigt ist,

lassen Sie es von einem autorisierten Kundendienst ersetzen, um Gefahrensituationen zu vermeiden.

Benutzen Sie es erst wieder nach der Reparatur.

- Bewahren Sie das AC-Netzteil nach dem Gebrauch außer Reichweite von Kindern auf. Kinder können sich verletzen, falls sie mit dem Kabel spielen.

**Ladevorgang über USBStromversorgungsanschluss**

Der USB-Port befindet sich an der Vorderseite des Radios. Sie können ein USB-Gerät über den USB-Port aufladen.

1. Schließen Sie das USB-Gerät, z. B. einen iPod, MP3- oder CD-Spieler, über ein handelsübliches USB-Kabel an.
2. Drücken Sie die Ein/Aus-Taste, um Ihr Radio einzuschalten.
3. Das Radio ist sowohl im Netzbetrieb, als auch im Batteriebetrieb in der Lage, das USB-Gerät aufzuladen, sofern das Radio eingeschaltet ist und sich im FM/DAB -Modus, BT-Modus oder bei angeschlossener externer Audio-Quelle im AUX-Modus befindet.

**Hinweis:**

- Beim aktiven USB-Ladevorgang steht nur eine eingeschränkte Lautsprecherleistung zur Verfügung.
- Der USB-Port kann max. 5 V/1 A zur Verfügung stellen.

**Wichtig:**

- Vor dem Anschluss Ihres USB-Geräts an den USB-Port müssen Sie immer ein Daten-Backup Ihres USB-Geräts ausführen! Ihre Daten könnten sonst möglicherweise durch unvorhersehbare Umstände verloren gehen.
- Das Radio kann möglicherweise einige USB- Geräte nicht mit Elektrizität versorgen.
- Schließen Sie die USB-Abdeckung und ziehen Sie das USB-Kabel ab, wenn Sie den USB-Port nicht benutzen.
- Schließen Sie am USB-Port keine Versorgungsspannung an! Es besteht ansonsten Brandgefahr! Der USB-Port ist ausschließlich zum Laden von Niederspannungsgeräten geeignet. Schließen Sie immer die Abdeckung des USB-Ports, wenn Sie kein Niederspannungsgerät laden.
- Niemals Fremdkörper (Nägel, Draht etc.) in den USB-Stromversorgungsanschluss einführen! Es könnte ein Kurzschluss entstehen und einen Brand mit Rauchentwicklung verursachen.
- Schließen Sie niemals den USB-Port des Radios am USB-Port eines PCs an, weil dadurch beide Geräte beschädigt werden können!

**RADIOBETRIEB**

Dieses Radio verfügt über drei Möglichkeiten der Sendereinstellung: Sendersuchlauf, manuelle Sendereinstellung und Aufrufen zuvor gespeicherter Sender.

## Auswählen eines Senders – DAB

1. Schalten Sie das Radio durch Drücken der Ein/Aus-Taste ein.
2. Wählen Sie durch Drücken der Taste BAND den DAB-Modus aus.
3. Drücken Sie auf die Einstelltaste ADVANCED (Erweiterte Einstellungen), und drehen Sie den Drehknopf VOLUME für Lautstärke/Sendereinstellung/Auswahl, bis im Display „Station List“ (Senderliste) blinkt. Drücken Sie auf den Drehknopf VOLUME für Lautstärke/Sendereinstellung/Auswahl, um die Senderliste aufzurufen.
4. Drehen den Drehknopf VOLUME für Lautstärke/Sendereinstellung/Auswahl, um die Senderliste zu durchblättern. Drücken Sie auf den Drehknopf, um den Sender auszuwählen.
5. Stellen Sie die gewünschte Lautstärke ein, indem Sie den Drehknopf VOLUME für Lautstärke/Sendereinstellung/Auswahl drehen.

## Displaymodi – DAB

Das Radio verfügt im DAB-Modus über verschiedene Displayoptionen:

Drücken Sie auf die Taste INFO, um durch die verschiedenen Optionen zu blättern. Die einzelnen Optionen werden unter den folgenden Buchstaben (a bis g) erläutert:

- |   |   |
|---|---|
| a. Station name (Sendername)                  | Zeigt den Namen des eingestellten Senders an.   |
| b. Program type (Programmgenre)               | Zeigt das Genre des eingestellten Senders an (z. B. Pop, Klassik, Nachrichten usw.).    |
| c. Multiplex name (Multiplex-Name)            | Zeigt den Namen des DAB-Multiplex an, zu dem der eingestellte Sender gehört.            |
| d. Time & date (Uhrzeit und Datum)            | Zeigt das aktuelle Datum und die aktuelle Uhrzeit an.                                   |
| e. Frequency and channel (Frequenz und Kanal) | Zeigt die Frequenz und die Kanalnummer des eingestellten DAB-Senders an.                |
| f. Bit rate/Audio type (Bitrate/Audio-Typ)    | Zeigt die Bitrate und den Audio-Typ des Digital Audio des eingestellten DAB-Senders an. |
| g. Signal strength (Signalstärke)             | Zeigt die Signalstärke des eingestellten DAB-Senders an.                                |

## Suchen neuer Stationen – DAB

Von Zeit zu Zeit können neue DAB-Rundfunkstationen empfangbar werden. Möglicherweise sind Sie auch in einen anderen Teil des Landes gewechselt. In diesem Fall möchten Sie möglicherweise, dass das Radio nach neuen Sendern sucht.

Damit das Radio alle empfangbaren Sender finden kann, wird empfohlen, dass Sie einen vollständigen Sendersuchlauf über alle Frequenzen des DAB-Band III durchführen.

1. Drücken Sie auf die Taste AUTOTUNE (Automatische Sendereinstellung).
2. Das Radio führt daraufhin einen Sendersuchlauf über alle DAB-Frequenzen hinweg aus. Immer wenn ein neuer Sender gefunden wird, erhöht sich der Senderzähler links im Display, und die Station wird in die Liste eingetragen.

## Manuelle Sendereinstellung – DAB

Mit der manuellen Sendereinstellung können Sie am Radio eine ganz konkrete DAB-Frequenz in BAND III einstellen. Diese Funktion kann auch für das Ausrichten der Antenne bzw. des Radios auf den optimalen Empfang eines bestimmten Kanals oder einer bestimmten Frequenz genutzt werden.

1. Drücken Sie auf die Einstelltaste ADVANCED (Erweiterte Einstellungen), und drehen Sie den Drehknopf VOLUME für Lautstärke/Sendereinstellung/Auswahl, bis im Display „Manual Tune“ (Manuelle Sendereinstellung) blinkt. Drücken Sie auf den Drehknopf VOLUME für Lautstärke/Sendereinstellung/Auswahl, um die manuelle Sendereinstellung zu aktivieren.
2. Drehen Sie den Drehknopf VOLUME für Lautstärke/Sendereinstellung/Auswahl, um den gewünschten DAB-Kanal auszuwählen. Drücken Sie auf den Drehknopf VOLUME für Lautstärke/Sendereinstellung/Auswahl, um die ausgewählte Frequenz zu übernehmen.

## Festlegen der Reihenfolge der Sender – DAB

Das Radio verfügt über 3 Einstellungen für die Reihenfolge der Sender, von der eine ausgewählt werden kann. Die Einstellungen für die Reihenfolge der Sender sind „Alphanumeric“ (Alphanumerisch), „Ensemble“ und „Valid station“ (Gültiger Sender).

1. Drücken Sie auf die Einstelltaste ADVANCED (Erweiterte Einstellungen).
2. Drehen Sie den Drehknopf VOLUME für Lautstärke/Sendereinstellung/Auswahl, bis im Display „Station order“ (Senderreihenfolge) angezeigt wird, und drücken Sie anschließend auf den Drehknopf VOLUME für Lautstärke/Sendereinstellung/Auswahl, um den Einstellungsmodus zu aktivieren.
3. Drehen Sie den Drehknopf VOLUME für Lautstärke/Sendereinstellung/Auswahl, um eine der folgenden Möglichkeiten auszuwählen, und drücken Sie anschließend auf den Drehknopf, um die ausgewählte Einstellung zu übernehmen.

Alphanumeric (Alphanumerisch)	Sortiert die Senderliste alphanumerisch 0...9 A...Z
Ensemble	Organisiert die Senderliste nach DAB- Multiplex
Valid (Gültig)	Zeigt nur jene Sender an, deren Signal empfangen wird

## Dynamic Range Control (DRC) – DAB

Die Funktion DRC sorgt dafür, dass leisere Passagen besser zu hören sind, wenn das Radio in einer lautstarken Umgebung genutzt wird, indem der Dynamikbereich des Audiosignals eingengt wird. Es sind drei Stufen der Komprimierung möglich:

DRC 0	Keine Komprimierung
DRC 1/2	Mittelstarke Komprimierung
DRC 1	Maximale Komprimierung

1. Schalten Sie das Radio durch Drücken der Ein/Aus-Taste ein.
2. Drücken Sie auf die Taste BAND, um das DAB-Band auszuwählen.
3. Drücken Sie auf die Einstelltaste ADVANCED (Erweiterte Einstellungen), und drehen Sie den Drehknopf VOLUME für Lautstärke/Sendereinstellung/Auswahl, bis im Display „DRC Value“ (DRC-Wert) blinkt. Drücken Sie anschließend auf den Drehknopf VOLUME für Lautstärke/Sendereinstellung/Auswahl, um den Einstellungsmodus zu aktivieren. Im Display wird der derzeitige eingestellte DRC-Wert angezeigt.
4. Drehen Sie den Drehknopf VOLUME für Lautstärke/Sendereinstellung/Auswahl, um die gewünschte DRC-Einstellung auszuwählen.
5. Drücken Sie anschließend auf den Drehknopf VOLUME für Lautstärke/Sendereinstellung/Auswahl, um die Einstellung zu übernehmen.

## Sendersuchlauf – FM

1. Drücken Sie die Ein/Aus-Taste, um das Radio einzuschalten.
2. Wählen Sie das gewünschte Frequenzband durch Drücken der Taste BAND. Achten Sie darauf, dass die flexible Stabantenne eingesetzt wurde, damit ein guter FM-Empfang gegeben ist. Betreiben Sie das Radio möglichst nicht in der Nähe eines Computerbildschirms oder anderer Geräte, die den Radioempfang stören könnten.
3. Drücken Sie auf die Taste AUTOTUNE (Automatische Sendereinstellung). Das Radio beginnt, nach Sendern zu suchen. Wenn ein Rundfunksender gefunden wurde, stoppt das Radio die Suche automatisch. Das Radio setzt die Suche nach den nächsten empfangbaren Sendern solange fort, bis der Benutzer auf die Taste AUTOTUNE drückt, um den Sendersuchlauf zu beenden.
4. Drehen Sie den Drehknopf VOLUME für Lautstärke/

Sendereinstellung/Auswahl, um die gewünschte Lautstärke einzustellen. Die Änderung der Lautstärke wird im LCD-Display angezeigt.

5. Schalten Sie das Radio durch Drücken der Ein/Aus-Taste aus.

## Sendersuchbereich für FM

Im FM-Modus kann das Radio so eingestellt werden, dass es entweder nur Sender in der Nähe oder nach allen Sendern, auch weiter entfernten, sucht.

1. Drücken Sie die Ein/Aus-Taste, um das Radio einzuschalten.
2. Drücken Sie die Frequenzbandtaste zur Auswahl des UKW-Bands.
3. Drücken Sie die Einstellungstaste und drehen Sie den Lautstärke/Tuning/Auswahl-Regler, bis im Display die Anzeige „FM Scan Zone“ erscheint. Drücken Sie den Lautstärke/Tuning/Auswahl-Regler erneut, um die Einstellungen aufzurufen.
4. Drehen Sie den Lautstärke/Tuning/Auswahl-Regler, um in der unteren Zeile des Displays zwischen „Local“ (nur Sender mit starkem Signal) und „Distant“ (alle Sender) zu wechseln. Mit der Option Distant ist es möglich, auch nach Sendern mit schwächerem Signal zu suchen.
5. Drücken Sie den Lautstärke/Tuning/Auswahl-Regler zum Bestätigen. Die jeweilige ausgewählte Einstellung wird im Radio gespeichert und bleibt erhalten, bis sie geändert oder eine Rückstellung des Geräts durchgeführt wird.

## Manuelle Sendereinstellung – FM

1. Drücken Sie die Ein/Aus-Taste, um das Radio einzuschalten.
2. Wählen Sie durch Drücken der Taste BAND das gewünschte Frequenzband aus. Richten Sie die Antenne wie bereits oben erläutert aus.
3. Durch Drehen des Drehknopfs VOLUME für Lautstärke/Sendereinstellung/Auswahl wird die Frequenz in folgenden Schritten geändert: FM: 50 kHz.

### Hinweis:

- Wenn Sie den gewünschten Sender anhand des Drehknopfs VOLUME für Lautstärke/Sendereinstellung/Auswahl suchen möchten, drücken Sie den Drehknopf VOLUME für Lautstärke/Sendereinstellung/Auswahl, um zum Modus „Sendereinstellung“ zu wechseln.
4. Drehen Sie den Drehknopf VOLUME für Lautstärke/Sendereinstellung/Auswahl weiter, bis die gewünschte Frequenz im Display angezeigt wird.
  5. Drehen Sie den Drehknopf VOLUME für Lautstärke/Sendereinstellung/Auswahl, um die gewünschte Lautstärke einzustellen.
  6. Schalten Sie das Radio durch Drücken der Ein/Aus-Taste aus.

## Displaymodi – FM (RDS)

Das Radio bietet im FM-Modus eine Vielzahl an Displayoptionen.

Drücken Sie wiederholt die Info-Taste, um die RDS-Informationen (Radio Data System) des wiedergegebenen Senders anzuzeigen.

- |                                       |   |
|---------------------------------------|---|
| a. Program station<br>(Sendername)    | Zeigt den Namen des<br>eingestellten Senders an.  |
| b. Frequency<br>(Frequenz)            | Zeigt die Frequenz des<br>eingestellten FM-Signals an.  |
| c. Radio text<br>(Radio-Text)         | Zeigt Textmeldungen wie z. B.<br>Nachrichten usw. an.   |
| d. Program text<br>(Programmgenre)    | Zeigt das Genre des<br>eingestellten Senders an,<br>beispielsweise Pop, Classic,<br>News usw. |
| e. Time & date<br>(Uhrzeit und Datum) | Zeigt das aktuelle Datum und<br>die aktuelle Uhrzeit an.                                      |

## Speichern von Sendern im Senderspeicher (DAB und FM)

Für jeden Frequenzbereich stehen 5  
Senderspeicherplätze zur Verfügung.

1. Drücken Sie die Ein/Aus-Taste, um das Radio einzuschalten.
2. Stellen Sie anhand einer der oben beschriebenen Methoden den gewünschten Sender ein.
3. Drücken und halten Sie die gewünschte Taste unter PRESETS (Senderspeicher), bis die Nummer des Senderspeicherplatzes im Display angezeigt wird, beispielsweise „P2 Saved“ (P2 gespeichert). Der Sender ist nun unter der ausgewählten Taste unter PRESETS gespeichert.
4. Wiederholen Sie diese Schritte für die verbleibenden Senderspeicher.
5. Durch Ausführen der oben angegebenen Schritte können im Senderspeicher gespeicherte Sender überschrieben werden.

## Aufrufen von Sendern aus dem Senderspeicher (DAB und FM)

1. Drücken Sie die Ein/Aus-Taste, um das Radio einzuschalten.
2. Wählen Sie durch Drücken der Taste BAND das von Ihnen gewünschte Frequenzband aus.
3. Drücken Sie die gewünschte Taste für voreingestellte Sender. Die Nummer des Senderspeichers und die Frequenz des Senders erscheinen in der Anzeige.

## MUSIKWIEDERGABE VIA BLUETOOTH- ÜBERTRAGUNG

Sie müssen zunächst Ihr Bluetooth-Gerät mit dem radio

koppeln, bevor Sie mit diesem radio Musik via Bluetooth abspielen/übertragen können. Durch die Kopplung entsteht eine „Verbindung“, damit sich beide Geräte gegenseitig erkennen.

### Hinweis:

Für eine bessere Sound-Qualität empfehlen wir, die Lautstärke an Ihrem Bluetooth-Gerät mit einer Einstellung von zwei Dritteln und am radio je nach Bedarf einzustellen.

## Erstmalige Kopplung mit Ihrem Bluetooth-Gerät

1. Drücken Sie die Ein/Aus-Taste, um das Radio einzuschalten. Drücken Sie dann die Frequenzbandtaste zur Auswahl des Bluetooth-Modus. Die Bluetooth-Anzeige der Speicherplatztasten blinkt blau und weist somit darauf hin, dass das Radio sichtbar ist.
2. Aktivieren Sie an Ihrem externen Gerät gemäß dessen Bedienungsanleitung die Bluetooth-Funktion, um es mit dem radio zu koppeln. Öffnen Sie die Bluetooth-Geräteleiste und wählen Sie das Gerät „DMR112.“. Einige Handys (mit älteren Versionen als BT2.1 Bluetooth) erfordern möglicherweise die Eingabe eines Passworts. Geben Sie in solch einem Fall „0000“ ein.
3. Nach der Verbindung ertönt ein Signalton zur Bestätigung und die Bluetooth-Anzeige der Speicherplatztasten leuchtet stetig blau. Sie können nun an Ihrem externen Gerät Musik auswählen und abspielen. Die Lautstärke können Sie am externen Gerät oder am radio einstellen.
4. Verwenden Sie die Tasten an Ihrem Bluetooth-fähigen Gerät oder am radio, um Titel abzuspielen/zu unterbrechen bzw. zu suchen.

### Hinweis:

1. Bei der erstmaligen Kopplung von 2 Bluetooth-Geräten suchen beide Geräte nach dem radio; an beiden Geräten wird dessen Verfügbarkeit angezeigt. Sobald jedoch ein Gerät mit dem radio verbunden ist, erscheint es nicht mehr in der Geräteleiste des zweiten Bluetooth-Geräts.
2. Falls Ihr Bluetooth-Gerät vorübergehend vom radio getrennt ist, müssen Sie es erneut manuell mit dem radio verbinden.
3. Falls „DMR112“ in der Geräteleiste Ihres Bluetooth-Geräts erscheint, jedoch nicht verbunden werden kann, löschen Sie es aus der Liste und führen Sie die Kopplung erneut anhand der vorher beschriebenen Vorgehensweise durch.
4. Die optimale Bluetooth-Übertragungsreichweite zum Radio beträgt ungefähr 10 Meter (30 Fuß) (Sichtlinie), wobei jedoch Reichweiten von bis zu 30 Metern (100 Fuß) möglich sein können.
5. Falls die Bluetooth-Verbindung aufgrund einer zu lange andauernden Trennung, einer Überschreitung der

optimalen Reichweite oder aufgrund von Hindernissen oder ähnlichem getrennt wurde, müssen das Gerät und das Radio möglicherweise erneut verbunden werden.

6. Gegenstände, schnurlose Geräte oder elektromagnetische Geräte können die Verbindungsqualität beeinflussen.
7. Bluetooth-Verbindungsfähigkeit kann je nach verbundenem Bluetooth-Gerät variieren. Informieren Sie sich über die Bluetooth-Fähigkeit Ihres externen Geräts, bevor Sie Ihr Radio verbinden. Einige gekoppelte Bluetooth-Geräte unterstützen möglicherweise nicht alle Funktionen.

## Wiedergabe von Audiodateien im Bluetooth-Modus

Nachdem Sie Ihren radio erfolgreich mit einem Bluetooth-Gerät verbunden haben, können Sie Musik unter Verwendung der Tasten am verbundenen Bluetooth-Gerät abspielen.

1. Nach dem Start der Wiedergabe können Sie die Lautstärke mit den Lautstärketasten an Ihrem radio oder Ihrem aktivierten Bluetooth-Gerät einstellen.
2. Verwenden Sie die Tasten an Ihrem Gerät, um die Wiedergabe zu starten/zu unterbrechen und um Titel auszuwählen.

### Hinweis:

1. Möglicherweise reagieren nicht alle Anwendungen oder Geräte auf das Drücken der Tasten.
2. Bei einigen Handys wird möglicherweise vorübergehend die Verbindung mit dem radio getrennt, während Sie Anrufe tätigen oder entgegennehmen. An einigen Geräten wird die Bluetooth-Übertragung stumm geschaltet, wenn Textnachrichten und E-Mails eingehen oder andere Gründe auftreten, die nicht im Zusammenhang mit der Audioübertragung stehen. Dies liegt am externen Gerät und ist keine Fehlfunktion Ihres radio.

## Wiedergabe eines bereits früher gekoppelten Bluetooth-Geräts

Der radio kann bis zu 8 gekoppelte Geräte speichern. Bei Überschreitung der Anzahl dieses Speichers wird der älteste Speichereintrag überschrieben. Falls Ihr Bluetooth-Gerät bereits zu einem früheren Zeitpunkt mit dem radio gekoppelt wurde, erkennt der radio das Bluetooth-Gerät und wird immer versuchen, die Verbindung mit dem zuletzt verbundenen Gerät wieder herzustellen. Falls das zuletzt verbundene Gerät nicht verfügbar ist, ist der radio nicht erkennbar.

## Bluetooth-Gerät trennen

Halten Sie die Bluetooth-Kopplungstaste 2-3 Sekunden lang gedrückt, um das Bluetooth-Gerät zu trennen. Die Bluetooth-Anzeige der Speicherplatztasten blinkt blau und weist somit darauf hin, dass das Radio wieder für die

Bluetooth-Kopplung verfügbar ist.

## AUX-EINGANGSBUCHESE

Das Radio verfügt über zwei 3,5 mm Aux-Stereoeingangsbuchsen – eine an der Vorderseite des Radios (AUX IN 1) und die andere am Batteriefach (AUX IN 2).

1. Verbinden Sie ein externes Audiogerät (z.B. iPod, MP3- oder CD-Player) unter Verwendung eines Audiokabels mit dem Aux-Eingang.
2. Drücken Sie wiederholt die Frequenzbandtaste, bis im Display die Anzeige „AUX IN 1“ bzw. „AUX IN 2“ erscheint; die AUX-Funktion ist dann aktiviert.
3. Im Hinblick auf eine bessere Soundqualität wird empfohlen, am Audiogerät die Lautstärke mit ungefähr zwei Dritteln und dann entsprechend am Radio einzustellen.

### HINWEIS:

Das Audiokabel ist kein Standardzubehör des Produkts.

## ANDERE EINSTELLUNGEN

### Sprachoptionen

Das Radio verfügt über acht Auswahlmöglichkeiten für die Sprache:

Englisch, Deutsch, Italienisch, Französisch, Niederländisch, Dänisch, Norwegisch und Spanisch.

1. Drücken Sie auf die Einstelltaste ADVANCED (Erweiterte Einstellungen).
2. Drehen Sie den Drehknopf VOLUME für Lautstärke/Sendereinstellung/Auswahl weiter, bis „Language“ (Sprache) im Display angezeigt wird. Drücken Sie auf den Drehknopf VOLUME für Lautstärke/Sendereinstellung/Auswahl, um den Einstellungsmodus zu aktivieren.
3. Drehen Sie den Drehknopf VOLUME für Lautstärke/Sendereinstellung/Auswahl, um die gewünschte Sprache auszuwählen. Drücken Sie anschließend auf den Drehknopf VOLUME für Lautstärke/Sendereinstellung/Auswahl, um die Einstellung zu übernehmen.

### Regelung der Helligkeit

Die Helligkeit der Tastenbeleuchtung kann verändert werden.

1. Drücken Sie auf die Einstelltaste ADVANCED (Erweiterte Einstellungen).
2. Drehen Sie den Lautstärke/Tuning/Auswahl-Regler, bis im Display die Anzeige „Button Light“ erscheint. Drücken Sie den Lautstärke/Tuning/Auswahl-Regler erneut, um die Einstellungen aufzurufen.
3. Drehen Sie den Lautstärke/Tuning/Auswahl-Regler zur Auswahl von „On“ oder „Off“, um die Tastenbeleuchtung zu aktivieren oder zu deaktivieren. Drücken Sie dann

den Lautstärke/Tuning/Auswahl-Regler erneut zum Bestätigen.

## Zurücksetzen des Systems

Falls das Radio nicht ordnungsgemäß funktionieren sollte oder wenn im Display Stellen fehlen oder unvollständig sind, führen Sie die folgenden Schritte aus.

1. Drücken Sie auf die Einstelltaste **ADVANCED** (Erweiterte Einstellungen).
2. Drehen Sie den Drehknopf **VOLUME** für Lautstärke/Sendereinstellung/Auswahl weiter, bis „Factory Reset“ (Auf werkseitige Einstellungen zurücksetzen) im Display angezeigt wird. Drücken Sie auf den Drehknopf **VOLUME** für Lautstärke/Sendereinstellung/Auswahl, um den Einstellungsmodus zu aktivieren.
3. Drehen Sie den Drehknopf **VOLUME** für Lautstärke/Sendereinstellung/Auswahl, um „Yes“ (Ja) auszuwählen. Drücken Sie auf den Drehknopf **VOLUME** für Lautstärke/Sendereinstellung/Auswahl, um die Einstellung zu übernehmen. Dadurch wird ein vollständiges Zurücksetzen ausgeführt.

## Softwareversion

1. Drücken Sie auf die Einstelltaste **ADVANCED** (Erweiterte Einstellungen).
2. Drehen Sie den Drehknopf **VOLUME** für Lautstärke/Sendereinstellung/Auswahl weiter, bis „SW Version“ im Display angezeigt wird. Drücken Sie auf den Drehknopf **VOLUME** für Lautstärke/Sendereinstellung/Auswahl, um die im Radio installierte Softwareversion anzuzeigen.

## Micro-USB-Anschluss für Softwareaktualisierung

Zukünftig werden möglicherweise Softwareaktualisierungen für das Radio zur Verfügung gestellt.

Wenn Softwareaktualisierungen verfügbar werden und wie Sie eine Aktualisierung der Software Ihres Radios vornehmen können, erfahren Sie auf der **Website von Makita**.

## WARTUNG

### ⚠ **ACHTUNG:**

**Verwenden Sie zum Reinigen niemals Kraftstoffe, Benzin, Verdünner, Alkohol oder ähnliches. Dies kann zu Verfärbungen, Verformungen oder Rissen führen.**

## Technische Daten

Elektrische Daten	
Netzadapter	Gleichspannung 12 V 1,2A; mittlerer Stift Pluspol
Akku	Aufsteckakku: 7,2V - 10,8V Einschubakku: 10,8V - 18V
Frequenzbereich	FM 87,50 - 108 MHz DAB/DAB+ 174,928-239,200 MHz
DAB/DAB+ Kanalblock	DAB (Band III) 5A-13F
Kompatibler Standard	DAB/DAB+

Bluetooth®	
(Die Bluetooth®-Wortmarke und die Bluetooth®-Logos sind eingetragene Marken von Bluetooth SIG, Inc.)	
Bluetooth-Version	4,0
Bluetooth-Profil	A2DP/SCMS-T
Übertragungsleistung	Leistungsklasse 2
Übertragungsbereich	Optimum: Max. 10 Meter (33 Fuß) Möglich: Max. 30 Meter (100 Fuß) (abhängig von den Gebrauchsbedingungen)
Unterstützter Bluetooth-Codec	SBC,AAC
Kompatibles Bluetooth-Profil	A2DP
Maximale Radiofrequenzleistung:	BT EDR: 3,12dBm BT LE: 2,31dBm
Betriebsfrequenz	2402MHz-2480MHz

Elektrische Daten	
Lautsprecher	3,5 Zoll, 32 Ohm x 2
Ausgangsleistung	7,2 V: 0,6 W X 2 12Vmax: 1,7 W X 2 14,4 V: 3 W X 2 18 V: 4,9 W X 2
Eingangsbuchse	Durchmesser 3,5 mm (AUX IN1/AUX IN2)
Antennensystem	DAB/FM: Flexible Stabantenne Stabantenne
Abmessungen (L x B x H)	282 x 163 x 294 mm
Gewicht	4,3KG (ohne Akku)



### VYSVĚTLENÍ K CELKOVÉMU POHLEDU (Obr. 1~5)

1. Měkká ohebná tyčová anténa
2. Uzavíratelná zásuvka baterie
3. Rukojeť
4. Kryt prostoru baterie (kryt baterie)
5. Zásuvka DC IN
6. Reproduktor
7. Tlačítko napájení
8. Tlačítko frekvence (Band)
9. Tlačítko pro pokročilé nastavení
10. Tlačítko Info
11. Předvolba 2-5
12. Tlačítko automatického ladění
13. Tlačítko ovládání hlasitosti/ladění/výběř
14. Napájecí port USB
15. Vstup (AUX IN 1)
16. Tlačítko předvolby 1/Bluetooth párovací tlačítko
17. LCD displej
18. Vstup (AUX IN 2)
19. Oddíl baterie
20. Micro USB port pro aktualizaci softwaru
21. Kazeta baterie

### SYMBOLY

Níže jsou zobrazeny symboly použité na zařízení. Před použitím se ujistěte, že rozumíte jejich významu.



Přečtěte si návod k obsluze.



Pouze pro země EU.

Nevyhazujte elektrické zařízení ani baterii společně s odpadem z domácnosti!

Ve vztahu k evropským směrnicím o odpadních elektrických a elektronických zařízeních a bateriích a akumulátorech a odpadních bateriích a akumulátorech a jejich provedení v souladu s vnitrostátními právními předpisy, elektrická zařízení a baterie a akumulátory, které dosáhly konce své životnosti, jsou shromažďovány odděleně a vráceny do ekologicky kompatibilního recyklačního zařízení.

### BEZPEČNOSTNÍ UPOZORNĚNÍ POKYNY

#### ⚠ VAROVÁNÍ:

Při používání elektrického přístroje by měla být vždy dodržována základní bezpečnostní opatření, aby se snížilo riziko požáru, úrazu elektrickým proudem a zranění osob, včetně následujících pravidel:

1. Před použitím si pozorně přečtěte tento návod k použití a návod k použití nabíječky.
2. K čištění používejte pouze suchou tkaninu.
3. Rádio neumísťujte v blízkosti tepelných zdrojů, jimiž jsou například topná tělesa, vzduchové výstupy vytápění, sporáky či jiná zařízení (včetně zesilovačů) vytvářející teplo.
4. Používejte pouze nástavce a příslušenství určená výrobcem.
5. Při bouřkách nebo dlouhodobějším nepoužívání odpojte zařízení ze zásuvky.
6. Rádio na baterie s integrovanými akumulátory nebo samostatný blok akumulátoru je nutno nabíjet pouze v nabíječce určené pro daný typ akumulátorů. Nabíječka, jež může být vhodná pro jeden typ akumulátorů, by mohla při použití s jinými akumulátory vyvolat nebezpečí požáru.
7. V rádiu na akumulátory používejte pouze speciálně určené bloky akumulátorů. Použití jiných akumulátorů může vyvolat nebezpečí požáru.
8. Není-li blok akumulátoru používán, uložte jej v místě bez kovových předmětů, jimiž jsou například kancelářské sponky, mince, klíče, hřebíky, šrouby či jiné drobné kovové předměty, jež by mohly spojit kontakty. Zkratování kontaktů akumulátoru může způsobit jiskření, popáleniny či požár.
9. Vyvarujte se přímého kontaktu s uzemněnými předměty, např. potrubím, radiátory, sporáky či chladničkami. Uzemnění těla představuje zvýšené nebezpečí úrazu elektrickým proudem.
10. Při nesprávném zacházení může z akumulátoru uniknout kapalina – zamezte kontaktu s touto látkou. Dojde-li k nechtěnému kontaktu, omyjte zasažené místo vodou. Při zasažení očí omyjte místo vodou a vyhledejte lékařskou pomoc. Kapalina z akumulátoru může způsobit podráždění či poleptání.
11. Nepoužívejte baterii nebo nářadí, které je poškozeno nebo upraveno. Poškozené nebo upravené baterie mohou vykazovat nepředvídatelné chování, které může vést k požáru, výbuchu nebo nebezpečí zranění.
12. Nevystavujte akumulátor ani nářadí ohni nebo nadměrné teplotě. Vystavení ohni nebo teplotě nad 130 °C může způsobit výbuch.
13. Dodržujte všechny pokyny pro nabíjení a nenabíjejte baterii nebo nářadí mimo rozsah teplot uvedených

- v pokynech. Nabíjení nesprávně nebo při teplotách mimo stanovený rozsah může poškodit akumulátor a zvýšit riziko požáru.
14. Síťová zástrčka se používá pro odpojení zařízení a musí být snadno přístupná.
  15. Nepoužívejte výrobek při vysoké hlasitosti po delší dobu. Abyste zabránili poškození sluchu, používejte produkt ve střední úrovni hlasitosti.
  16. (Pouze u výrobků s LCD displejem) LCD displeje zahrnují kapalinu, která může způsobit podráždění a otravu. Pokud kapalina vnikne do očí, úst nebo kůže, vypláchněte vodou a vyhledejte lékaře.
  17. Nevystavujte výrobek dešti ani mokřým podmínkám. Vniknutí vody do výrobku zvýší riziko úrazu elektrickým proudem.
  18. Tento výrobek není určen pro použití osobami (včetně dětí) se sníženými fyzickými, smyslovými nebo duševními schopnostmi nebo nedostatečnými zkušenostmi a znalostmi, ledaže by byl s osobou odpovědnou za jejich bezpečnost. Děti by měly být pod dohledem, aby jste se ujistili, že si s produktem nehrájí. Výrobek uchovávejte mimo dosah dětí

## USCHOVEJTE TENTO NÁVOD

# KONKRÉTNÍ BEZPEČNOSTNÍ PRAVIDLA POKYNY K BLOKU AKUMULÁTORU

### PRO AKUMULÁTOR

1. Před použitím akumulátoru si přečtěte všechny pokyny a varovné symboly na (1) nabíječce, (2) akumulátoru a (3) výrobku využívajícím akumulátor.
2. Akumulátor nerozebírejte.
3. Pokud se provozní doba příliš zkrátí, přerušte okamžitě provoz. Může dojít k přehřátí, popálení nebo dokonce výbuchu.
4. Když se elektrolyt dostane do očí, vypláchněte je čistou vodou a vyhledejte ihned lékařskou pomoc. Může dojít k oslepnutí.
5. Nezkratujte akumulátor:
  - 1) Nedotýkejte se vývodů žádným vodivým předmětem.
  - 2) Akumulátor neskladujte v nádobě s jinými kovovými předměty, jako jsou hřebíky, mince, apod.
  - 3) Nevystavujte akumulátor vodě a dešti. Zkrat baterie může způsobit velký průtok proudu, přehřátí, popáleniny nebo dokonce i havárii.
6. Neskladujte přístroj a akumulátor na místech, kde může teplota dosáhnout nebo překročit 50°C (122°F).
7. Nespalujte akumulátor, ani když je vážně poškozen nebo zcela opotřebován. Akumulátor může v ohni

- vybuchnout.
8. Dávejte pozor, aby akumulátor nespadol na zem nebo nedošlo k nárazu.
  9. Nepoužívejte poškozený akumulátor.
  10. Abyste předešli riziku, měli byste před použitím přečíst návod k výměně baterie. Maximální výstupní proud baterie by neměl být větší nebo roven 8 A.
  11. Lithium-iontové baterie, které jsou obsaženy, podléhají požadavkům ze zákona o nebezpečných látkách. Pro komerční přepravu, např. třetími stranami, dopravci, musí být dodrženy zvláštní požadavky na balení a označování. Pro přípravu přepravované zásilky je nutné konzultovat odborníka na nebezpečný materiál. Dodržujte prosím i podrobnější vnitrostátní předpisy. Opaskujte nebo zakryjte kontakty a vložte baterii tak, aby se nemohla pohybovat v obalu.
  12. Dodržujte místní předpisy týkající se likvidace
  13. Použijte pouze baterie s výrobky specifikovanými firmou Makita. Instalace baterií na nevyhovující výrobky může vést k požáru, nadměrnému teplu, výbuchu nebo úniku elektrolytu.

### ⚠ POZOR:

- **Nebezpečí výbuchu, pokud je baterie nesprávně vyměněna.**
- **Nahradte pouze stejným nebo ekvivalentním typem.**
- **Používejte pouze originální baterie Makita. Použití neoriginálních baterií Makita nebo baterií, které byly změněny, může mít za následek výbuch baterie, což způsobí požáry, zranění osob a poškození majetku. Rovněž ruší záruku společnosti Makita pro nářadí Makita a nabíječku.**

### Tipy pro zachování maximální životnosti akumulátoru

1. Nabíjejte akumulátor, když je zcela vybitý. Vždy vypněte přístroj a dobijte akumulátor, když si povšimnete sníženého výkonu přístroje.
2. Nikdy nenabíjejte úplně nabitý akumulátor. Přebíjení zkracuje životnost akumulátoru.
3. Nabíjejte akumulátoru při pokojové teplotě při 10 °C - 40 °C (50 °F - 104 °F). Nechejte horký akumulátor zchladnout před nabíjením.
4. Dobijte akumulátor, i když přístroj delší dobu nepoužíváte (více než šest měsíců).

# PROVOZNÍ ČAS

\* Následující tabulka ukazuje dobu provozu na jedno nabití.

Kapacita baterie	Výstup voltů baterie					Výstup z reproduktoru = 100mW Jednotka: Hodina (Přibližně)	
	7,2 V	10,8 V	10,8 V – 12Vmax	14,4 V	18 V	V režimu rádia nebo AUX	V režimu rádia USB nabíjení (1,0A)
1,0 Ah	BL7010					5,0	0,7
1,3 Ah		BL1013				7,0	0,9
				BL1415		5,5	1,7
					BL1815	6,0	1,9
1,5 Ah	BL0715					7,5	1,0
			BL1015 BL1016			8,5	1,7
				BL1415N		7,0	2,0
					BL1815N	7,5	2,0
2,0 Ah			BL1020B BL1021B			11	2,0
					BL1820 BL1820B	10	3,0
3,0 Ah				BL1430 BL1430B		12	3,5
					BL1830 BL1830B	14	4,0
4,0 Ah			BL1040B BL1041B			21	4,0
				BL1440		19	5,5
					BL1840 BL1840B	20	6,0
5,0 Ah				BL1450		23	6,5
					BL1850 BL1850B	26	8,0
6,0 Ah				BL1460B		25	7,5
					BL1860B	31	9,5

 : Kazetové akumulátory     : Zásuvné akumulátory

## **VAROVÁNÍ:**

**Používejte pouze kazety s bateriemi uvedené výše. Použití jiných bateriových kazet může způsobit zranění a/ nebo požár.**

## **Poznámka:**

Tabulka týkající se provozní doby baterie je uvedena výše. Skutečná doba provozu se může lišit podle typu baterie, stavu nabíjení nebo použití.

# INSTALACE A NAPÁJENÍ

## ⚠ POZOR:

- Při otvírání a zavírání krytu baterie dbejte na to, abyste si neskřípli prsty.
- Po instalaci nebo vyjmutí kazety akumulátoru vraťte skříňku prostoru pro baterie do původní polohy. Pokud tak nečiníte, kazeta s akumulátorem může náhodně vypadnout z rádia a způsobit zranění vám nebo někomu kolem vás.
- Před přesunutím rádia vždy zavřete a uzamkněte skříňku prostoru baterie.
- Před vyjmutím kazety baterie vždy vypněte rádio.
- Dávejte pozor, aby vám rádio nespadlo, či nedošlo k úderu a následnému poškození. Zlomená skořápka těla rádia může pořezat prsty nebo poškrábat jinou část těla. Poškozené rádio může mít nepředvídatelné chování, které může vést k požáru, výbuchu nebo nebezpečí zranění.

## DŮLEŽITÉ:

- Snížená spotřeba energie, zkreslení, "zpomalený zvuk" nebo když se na displeji zobrazí "POWERFAIL" jsou všechny známky toho, že je třeba vyměnit hlavní akumulátor.
- Kazeta s bateriemi nelze nabíjet prostřednictvím dodaného napájecího adaptéru (AC).
- Kazeta pro baterie není dodávána jako standardní příslušenství.

## Instalace a vyjmutí bloku zásuvného akumulátoru (Obr. 2 a 3)

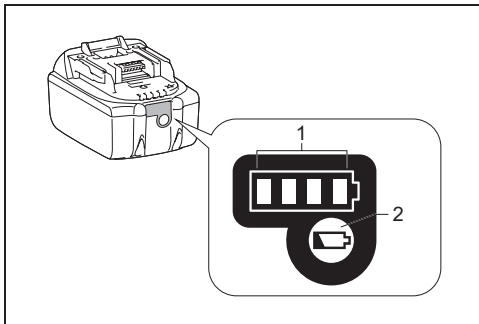
1. Při instalaci akumulátoru vyrovnejte jazyček na bloku akumulátoru s drážkou v krytu a zasuňte akumulátor na místo. Akumulátor zasunujte vždy nadoraz, až zacvakne na místo.
2. Není-li tlačítko zcela zajištěno, uvidíte na jeho horní straně červený indikátor. Zasuňte akumulátor zcela tak, aby nebyl červený indikátor vidět. Jinak by mohl akumulátor z rádia vypadnout a způsobit zranění osobě či přihrázejícím osobám.
3. Při vkládání akumulátoru nepoužívejte přílišnou sílu. Nelze-li akumulátor zasunout snadno, nevkládáte jej správně.
4. Chcete-li vyjmout kazetu baterie, vysuňte ji z rádia tím, že vysunete tlačítko na přední části kazety.

## Instalace a vyjmutí bloku kazetového akumulátoru (Obr. 4 a 5)

1. Při instalaci akumulátoru vyrovnejte jazyček na bloku akumulátoru s drážkou v krytu a zasuňte akumulátor na místo.
2. Jestliže chcete blok akumulátoru vyjmout, vysuňte jej z konektoru se současným stisknutím tlačítek na boku akumulátoru.

## Indikace zbývajících kapacity akumulátoru

\* Platí pouze pro bloky akumulátorů označené písmenem „B“ na konci čísla modelu.



### ➤ 1. Kontrolky 2. Tlačítko test

Stisknutím kontrolního tlačítka Check na bloku akumulátoru zobrazíte zbývajících kapacitu akumulátoru. Kontrolky se na několik sekund rozsvítí.

#### • 14,4V/18V baterie

Kontrolky			Zbývajících kapacita
Svítí	Vypnuto	Bliká	
■	□	▬	75% ~ 100%
■	■	□	50% ~ 75%
■	□	□	25% ~ 50%
■	□	□	0% ~ 25%
▬	□	□	Nabíjte akumulátor.
■	■	□	Akumulátor může selhat.

#### • 10,8V-12V max baterie

Kontrolky			Zbývajících kapacita
Svítí	Vypnuto	Bliká	
■	□	▬	75% ~ 100%
■	■	□	50% ~ 75%
■	□	□	25% ~ 50%
■	□	□	0% ~ 25%

## POZNÁMKA:

v závislosti na podmínkách použití a okolní teplotě, se může údaj mírně lišit od skutečné kapacity.

## Použití krátké ohebné antény (Obr. 1)

Krátkou ohebnou anténu napřímte podle obrázku.

## Použití přiloženého napájecího adaptéru

Odstraňte gumovou ochranu a zasuňte adaptér do zásuvky DC na pravé straně rádia.

Připojte adaptér do zásuvky.

Při použití adaptéru se baterie automaticky odpojí.

### ⚠ POZOR:

- **Vždy zcela odpojte napájecí adaptér před přesunutím rádia. Pokud není síťový adaptér odpojen, může dojít k úrazu elektrickým proudem.**
- **Nikdy netahejte a nepřesahujte kabel adaptéru. Pokud tomu tak není, rádio může náhodou spadnout a způsobit zranění vám nebo někoho kolem vás.**

### DŮLEŽITÉ:

- Síťový adaptér se používá pro připojení rádia k síti. Síťová zásuvka používaná pro rádio musí zůstat přístupná během běžného používání.
- Chcete-li odpojit rádio, musí být síťový adaptér zcela odpojen od elektrické sítě.
- Používejte napájecí adaptér dodávaný s produktem nebo jen specifikovaný společností Makita.
- Nedržte kabel napájení a konektor ústy. Mohlo by dojít k úrazu elektrickým proudem.
- Nedotýkejte se síťové zástrčky vlhkými nebo mastnými rukami.
- Poškozené nebo zapletené šňůry zvyšují riziko úrazu elektrickým proudem. Pokud je kabel poškozen, nechte ho vyměnit autorizovaným servisním střediskem, aby nedošlo k ohrožení bezpečnosti. Nepoužívejte jej před opravou.
- Po skončení práce vždy ukládejte napájecí adaptér mimo dosah dětí. Pokud si děti hrají s kabelem, mohou utrpět zranění.

## Nabíjení pomocí napájecího portu USB

Na čelní straně rádia se nachází port USB.

Prostřednictvím portu USB můžete nabíjet zařízení USB.

1. Běžně dostupným kabelem USB připojte zařízení USB, například iPod, přehrávač MP3 nebo CD přehrávač.
2. Stisknutím tlačítka napájení zapnete rádio.
3. Rádio, zapnuté v režimu FM/DAB, BT nebo AUX signalizovaném po připojení externího zvukového zdroje, umožňuje nabíjení zařízení USB při napájení ze sítě i za provozu na baterie.

### Poznámka:

- Při nabíjení zařízení USB se sníží maximální výstupní výkon hlasitosti reproduktoru.
- Konektor USB může poskytnout proud s max. hodnotu

1 A/5 V.

### Důležité:

- Před připojením zařízení USB k nabíječe si vždy zálohujte data ze zařízení USB. Mohlo by dojít ke ztrátě dat.
- Je možné, že rádio neumožní napájení některých zařízení USB.
- Jestliže kabel USB nevyužíváte nebo pokud bylo nabíjení dokončeno, odpojte jej od konektoru a zavřete krytku.
- K portu USB nepřipojujte zdroj napájení. Mohlo by nastat nebezpečí vzniku požáru. Port USB slouží pouze k nabíjení nízkonapěťových zařízení. Jestliže žádné nízkonapěťové zařízení nenapájíte, nasadte vždy na port USB krytku.
- Do napájecího portu USB nestrkejte hřebíky, dráty atd. Mohlo by dojít ke zkratu a vzniku kouře či požáru.
- Konektor USB rádia nepropojujte s portem USB počítače – existuje vysoká pravděpodobnost poškození jednotek.

## POSLECH RÁDIA

Rádio lze naladit třemi metodami – automaticky, ručně nebo vyvoláním paměti předvolby.

### Volba stanice – DAB

1. Stisknutím tlačítka napájení zapnete rádio.
2. Stisknutím tlačítka volby pásma zvolte režim DAB.
3. Stiskněte tlačítko Advanced (pokročilé nastavení) a otáčejte knoflíkem nastavení hlasitosti/ladění/potvrzení volby, až se na displeji rozblíká hlášení „Station list“ (seznam stanic). Stisknutím knoflíku nastavení hlasitosti/ladění/potvrzení volby vstupte do seznamu stanic.
4. Otáčením knoflíku nastavení hlasitosti/ladění/potvrzení volby procházejte seznam dostupných stanic. Stisknutím knoflíku zvolte stanici.
5. Otáčením knoflíku nastavení hlasitosti/ladění/potvrzení volby nastavte požadovanou hlasitost.

### Režim zobrazení – DAB

Rádio nabízí řadu možností zobrazení v režimu DAB.

Stisknutím tlačítka Info (informace) postupně přepínejte mezi různými možnostmi uvedenými v následujících odstavcích označených písmeny (a až g).

- a. Station name (Název stanice)  
představuje název poslouchané stanice.
- b. Program type (Typ programu) zobrazí typ poslouchané stanice. Např. pop, klasika, zprávy, atd.

c. Multiplex name	(Název multiplexu) zobrazí název multiplexu DAB, do něhož aktuální stanice náleží.	potvrzení volby, až se na displeji zobrazí hlášení „Station order“ (pořadí stanic) a pak nastavení potvrďte stisknutím knoflíku nastavení hlasitosti/ladění/potvrzení volby.
d. Time & date	(Čas a datum) zobrazuje aktuální čas a datum.	3. Otáčením knoflíku nastavení hlasitosti/ladění/potvrzení volby vyberte jednu z následujících možností a stisknutím knoflíku nastavení potvrďte.
e. Frequency and channel (kmitočet a kanál)	Představuje kmitočet a číslo kanálu aktuálně naladěné stanice DAB.	Alphanumeric (Alfanumerické) řadí seznam stanic alfanumericky 0...9 A...Z
f. Bit rate/Audio type (přenosová rychlost/typ zvuku)	Zobrazuje přenosovou rychlost digitálního zvuku aktuálně naladěné stanice DAB.	Ensemble (Skupina stanic) zorganizuje seznam stanic podle multiplexů DAB
g. Signal strength (Síla signálu)	představuje sílu signálu aktuálně naladěné stanice DAB.	Valid (Platné) zobrazí pouze stanice s nalezeným signálem

## Vyhledání nových stanic – DAB

Občas se mohou objevit i nové rozhlasové stanice DAB. Nebo jste se přesunuli do jiné části země. V takovém případě pravděpodobně musíte aktivovat skenování nových stanic.

Chcete-li aktivovat vyhledání dostupných stanic, doporučujeme provést kompletní skenování kmitočtů celého III. pásma DAB.

1. Stiskněte tlačítko Auto tune (automatické ladění).
2. Rádio provede kompletní prohledání kmitočtů DAB. Při nalezení nových stanic zaregistruje počítadlo stanic po levé straně displeje nárůst hodnoty a stanice se přidávají do seznamu.

## Ruční ladění – DAB

Ruční ladění umožňuje naladit rádio na určitý kmitočet ve III. pásmu DAB. Tuto funkci lze také použít jako podporu při umisťování antény nebo rádia k optimalizaci příjmu konkrétního kanálu nebo kmitočtu.

1. Stiskněte tlačítko Advanced (pokročilé nastavení) a otáčejte knoflíkem nastavení hlasitosti/ladění/potvrzení volby, až se na displeji zobrazí hlášení „Manual Tune“ (ruční ladění). Stisknutím knoflíku nastavení hlasitosti/ladění/potvrzení volby aktivujete režim ručního ladění.
2. Otáčením knoflíku nastavení hlasitosti/ladění/potvrzení volby vyberte požadovaný kanál DAB. Stisknutím knoflíku nastavení hlasitosti/ladění/potvrzení volby vybraný kmitočet potvrďte.

## Nastavení pořadí stanic – DAB

Rádio má tři nastavení pořadí stanic, z nichž si můžete vybrat. Nastavení pořadí stanic je alphanumeric, ensemble a valid station (alfanumerické, skupina stanic a platné stanice).

1. Stiskněte tlačítko Advanced (pokročilé nastavení).
2. Otáčejte knoflíkem nastavení hlasitosti/ladění/

## Kontrola dynamického rozsahu (DRC) – DAB

Funkce DRC usnadní poslech tišších zvuků při používání rádia v hlučném prostředí omezením dynamického rozsahu zvukového signálu. Existují tři úrovně komprese:

- DRC 0      Není použita žádná komprese.
- DRC 1/2    Použije se komprese střední úrovně.
- DRC 1      Použije se maximální komprese.

1. Stisknutím tlačítka napájení zapnete rádio.
2. Stisknutím tlačítka Band (volba pásma) vyberte požadované pásmo DAB.
3. Stiskněte tlačítko Advanced (pokročilé nastavení) a otáčejte knoflíkem nastavení hlasitosti/ladění/potvrzení volby, až se na displeji zobrazí hlášení „DRC Value“ (hodnota DRC). Stisknutím knoflíku nastavení hlasitosti/ladění/potvrzení volby pak nastavení potvrďte. Na displeji se zobrazí aktuální hodnota funkce DRC.
4. Otáčením knoflíku nastavení hlasitosti/ladění/potvrzení volby vyberte požadované nastavení funkce DRC.
5. Stisknutím knoflíku nastavení hlasitosti/ladění/potvrzení volby nastavení potvrďte.

## Automatické ladění – FM

1. Stisknutím tlačítka napájení zapnete rádio.
2. Stisknutím tlačítka Band (volba pásma) zvolte požadované vlnové pásmo. Ujistěte se, zda je k zajištění optimálního příjmu v pásmu FM správně nasazena krátká ohebná anténa. Zamezte provozu rádia v blízkosti počítačové obrazovky či jiného zařízení způsobujícího rušení.
3. Stiskněte tlačítko Auto tune (automatické ladění) a rádio spustí vyhledávání, jež se automaticky zastaví po nalezení rozhlasové stanice. Rádio bude pokračovat ve vyhledávání dalších dostupných stanic, dokud obsluha nestiskne tlačítko Auto tune (automatické ladění), čímž skenování zastaví.
4. Otáčením knoflíku nastavení hlasitosti/ladění/potvrzení volby nastavte požadovanou hlasitost zvuku. Změny úrovně hlasitosti se zobrazí na displeji LCD.
5. Rádio vypnete stisknutím tlačítka napájení.

## Skenování pásma FM

V režimu FM lze rádio nastavit na skenování místních nebo všech stanic včetně vzdálených rozhlasových stanic.

1. Stisknutím tlačítka napájení zapnete rádio.
2. Stisknutím tlačítka Band vyberte FM pásmo.
3. Stiskněte tlačítko pro Pokročilé nastavení a poté otočte ovladačem Ovládání hlasitosti/ladění/volby, dokud se na displeji nezobrazí "Zóna snímání FM". Stisknutím ovladače hlasitosti/ladění ovládání/volby zadejte nastavení.
4. Otočením ovladače hlasitosti/ladění/volby přepněte mezi možnostmi "Místní" (pouze silné stanice) a "Vzdálené" (všechny stanice) na spodním řádku displeje. Možnost Vzdálená umožní rádiu při skenování najít i stanice se slabším signálem.
5. Stisknutím tlačítka Ovládání hlasitosti/ladění/volby potvrďte výběr. Místní nebo vzdálené nastavení je uloženo v rádiu a zůstává v platnosti, dokud se nezmění nebo nedojde k resetu systému.

## Ruční ladění – FM

1. Stisknutím tlačítka napájení zapnete rádio.
2. Stisknutím tlačítka Band (volba pásma) vyberte požadované vlnové pásmo. Podle výše uvedeného popisu nastavte anténu.
3. Otáčením knoflíku nastavení hlasitosti/ladění/potvrzení volby se mění kmitočet s následujícím přírůstkem: FM: 50 kHz

### Poznámka:

Chcete-li k vyhledání požadované stanice použít knoflík nastavení hlasitosti/ladění/potvrzení volby, přepněte do režimu ladění stisknutím tohoto knoflíku.

4. Otáčejte knoflíkem nastavení hlasitosti/ladění/potvrzení volby, až se na displeji zobrazí požadovaný kmitočet.
5. Otáčením knoflíku nastavení hlasitosti/ladění/potvrzení volby nastavte požadovanou hlasitost zvuku.
6. Rádio vypnete stisknutím tlačítka napájení.

## Režim zobrazení – FM (RDS)

Rádio má řadu možností zobrazení pro FM režim.

Opakovaným stisknutím tlačítka Informace zobrazíte RDS (Rádiový Datový Systém) informace stanice, kterou posloucháte.

- |  |  |
|--|--|
| a. Program station<br>(Programová stanice) | představí název poslouchané stanice.                                 |
| b. Frequency<br>(Kmitočet)                 | označuje hodnotu kmitočtu signálu FM.                                |
| c. Radio text                              | Zobrazí textovou, např. nové položky atd.                            |
| d. Program type<br>(Typ programu)          | zobrazí typ poslouchané stanice, např. pop, vážná hudba, zprávy atd. |

- |                                 |                                 |
|---------------------------------|---------------------------------|
| e. Time & date<br>(Čas a datum) | zobrazuje aktuální čas a datum. |
|---------------------------------|---------------------------------|

## Ukládání stanic do paměti předvoleb (DAB a FM)

Pro každé vlnové pásmo je k dispozici 5 předvoleb.

1. Stisknutím tlačítka napájení zapnete rádio.
2. Jednou z výše popsanych metod naladíte požadovanou stanici.
3. Stisknete a přidržte požadované tlačítko předvolby, až se na displeji zobrazí číslo předvolby, například „P2 Saved“ (P2 uloženo). Stanice uloží pod zvoleným tlačítkem předvolby.
4. Tento postup zopakujte u zbývajících předvoleb.
5. Stanice uložené v paměti předvoleb můžete výše popsáním postupem změnit.

## Vyvolání stanic z paměti předvoleb (DAB a FM)

1. Stisknutím tlačítka napájení zapnete rádio.
2. Stisknutím tlačítka Band (volba pásma) vyberte požadované vlnové pásmo.
3. Krátce stisknete požadované tlačítko předvolby. Na displeji se zobrazí číslo předvolby a kmitočet stanice.

## POSLECH HUDBY PŘES BLUETOOTH STREAMING

Předem musíte spárovat zařízení Bluetooth s rádiem abyste mohli automaticky přehrávat/streamovat hudbu. Spárování vytváří vazbu, takže se mohou vzájemně rozpoznat dvě zařízení.

### Poznámka:

Chcete-li dosáhnout lepší kvality zvuku, doporučujeme nastavit hlasitost na zařízení Bluetooth na více než dvě třetiny a podle potřeby upravit hlasitost rádia.

## První párování Bluetooth zařízení

1. Zapnete rádio stisknutím tlačítka Napájení. Stisknutím tlačítka Band vyberte režim Bluetooth. Indikátor Bluetooth na tlačítkách předvolby bliká modře, aby se ukázalo, že je rádio viditelné (pro párování Bluetooth).
2. Aktivujte Bluetooth ve vašem zařízení podle uživatelské příručky pro připojení rádia. Vyhledejte seznam zařízení Bluetooth a vyberte zařízení s názvem "DMR112." U některých mobilních telefonů (které mají dřívějších verzí, než zařízení BT2.1 Bluetooth), budete možná muset zadat přístupový kód "0000".
3. Po připojení se ozve zvuk potvrzujícího tónu a indikátor Bluetooth na tlačítkách předvoleb bude svítit modře. Můžete jednoduše vybrat a přehrát libovolnou hudbu ze zdrojového zařízení. Ovládání hlasitosti lze nastavit ze zdrojového zařízení nebo přímo z rádia.
4. Použijte ovládací prvky na vašem zařízení Bluetooth

nebo na rádiu pro přehrávání/pauzu a hledání stop.

#### **Poznámka:**

1. Jestliže se 2 Bluetooth zařízení párují poprvé, obě budou hledat rádio a na obou zařízeních se ukáže jeho dostupnost. Nicméně pokud se jedno zařízení nejdříve spojí s touto jednotkou, potom ho druhé zařízení Bluetooth nebude moci najít v seznamu.
2. Je-li vaše zařízení Bluetooth dočasně odpojeno od rádia, pak znovu připojte zařízení k rádiu manuálně.
3. Je-li ' DMR112 "zobrazeno v seznamu vašeho Bluetooth zařízení, ale přístroj se s ním nemůže spojit, prosím, vymažte položku ze seznamu a spárujte zařízení s rádiem znovu podle kroků popsanych výše.
4. Optimální dosah Bluetooth je zhruba 10 metrů (viditelných) k radiovému zařízení, ale je možné dosáhnout vzdálenosti až 30 metrů.
5. Pokud dojde ke ztrátě připojení Bluetooth z důvodu překročení optimálního dosahu na příliš dlouhou dobu, z důvodu překážek, aj., může být nutné znovu připojit zařízení k rádiu pomocí Bluetooth.
6. Fyzické překážky, jiná bezdrátová zařízení nebo elektromagnetická zařízení mohou ovlivnit kvalitu připojení.
7. Výkon Bluetooth připojení se může lišit v závislosti na připojeném zařízení Bluetooth. Podívejte se, prosím, na schopnosti Bluetooth přístroje před připojením k rádiu. Všechny funkce nemusí být podporovány na některých spárovaných zařízeních Bluetooth.

### **Přehrávání zvukových souborů v režimu Bluetooth**

Pokud jste úspěšně spojili rádio s vybraným zařízením Bluetooth, můžete začít přehrávat hudbu pomocí ovladačů na vašem připojeném zařízením Bluetooth.

1. Když začne hrát, nastavte hlasitost na požadovanou úroveň pomocí tlačítek hlasitosti na rádiu nebo na vašem připojeném zařízením Bluetooth.
2. Použijte ovládací prvky na zařízením pro přehrávání/pauzu a hledání stopy.

#### **Poznámka:**

1. Ne všechny přehrávací aplikace nebo zařízení budou reagovat na všechny tyto ovládací prvky.
2. Některé mobilní telefony se mohou dočasně odpojit od rádia při volání nebo přijímání hovoru. Některá zařízení mohou dočasně ztlumit Bluetooth audio přehrávání, když přijmou textovou zprávu, e-mail nebo z jiných důvodů nesouvisejících s audio přehráváním. Takové chování je funkcí připojeného zařízení, a nejedná se o poruchu rádio.

### **Přehrávání dříve spárovaného Bluetooth zařízení**

Vaše rádio umožňuje uložení až 8 sad spárovaných přístrojů, když je paměť plná, nejstarší historie párování

bude přepsána. Jestliže už bylo zařízení Bluetooth dříve spárované s rádiem, přístroj si zařízení Bluetooth pamatuje a snaží se znovu spojit se záznamem v paměti, které bylo posledním spojením. V případě, že poslední připojené zařízení není k dispozici, bude rádio možné znovu připojit.

### **Odpojení Bluetooth přístroje**

Stisknutím a přidržením tlačítka párování Bluetooth po dobu 2-3 sekund se odpojí od Bluetooth zařízení. Indikátor Bluetooth na tlačítkách předvolby bliká modře, což indikuje, že rádio je znovu rozpoznatelné/připraveno pro párování.

### **AUX VSTUP**

K dispozici jsou dva 3,5 mm stereo AUX vstupy. Jeden je v přední části vašeho rádia (AUX IN 1); druhý je umístěn v prostoru pro baterie (AUX IN 2).

1. Připojte externí zdroj zvuku (například iPod, MP3 nebo CD přehrávač) do zdířky AUX vstupu pomocí zvukového kabelu.
2. Opakovaně stiskněte a uvolněte tlačítko Band, dokud se nezobrazí "AUX IN 1" nebo "AUX IN 2", poté je aktivována funkce AUX.
3. Chcete-li dosáhnout lepší kvality zvuku, doporučujeme nastavit hlasitost zvuku na více než dvě třetiny a poté podle potřeby nastavit hlasitost v rádiu.

#### **POZNÁMKA:**

Audio kabel není součástí standardního příslušenství.

### **DALŠÍ NASTAVENÍ**

#### **Možnosti nastavení jazyka**

Rádio má k dispozici osm nastavení jazyka:

Angličtinu, němčinu, italštinu, francouzštinu, nizozemštinu, dánštinu, norštinu a španělštinu.

1. Stiskněte tlačítko Advanced (pokročilé nastavení).
2. Otáčejte knoflíkem nastavení hlasitosti/ladění/potvrzení volby, až se na displeji zobrazí hlášení „Language“ (jazyk). Stisknutím knoflíku nastavení hlasitosti/ladění/potvrzení volby nastavení potvrďte.
3. Otáčením knoflíku nastavení hlasitosti/ladění/potvrzení volby vyberte požadovaný jazyk. Stisknutím knoflíku nastavení hlasitosti/ladění/potvrzení volby nastavení potvrďte.

#### **Nastavení jasu**

Tlačítko Light lze nastavit.

1. Stiskněte tlačítko Advanced (pokročilé nastavení).
2. Otočte ovladačem Hlasitost/Ladění/Výběr, dokud se na displeji nezobrazí tlačítko "Light". Stisknutím ovladače hlasitosti/ladění/ovládání/volby zadejte nastavení.
3. Otočením ovladače hlasitosti/ladění/volby vyberte



"Zapnuto" (On) nebo "Vypnuto" (Off) pro zapnutí nebo vypnutí funkce osvětlení tlačítek a poté stisknutím ovladače hlasitosti/ladění/volby potvrďte nastavení.

## Resetování systému

Jestliže rádio nepracuje správně nebo na displeji schází některé číslice (nebo se nesprávně zobrazují), proveďte následující postup.

1. Stiskněte tlačítko Advanced (pokročilé nastavení).
2. Otáčejte knoflíkem nastavení hlasitosti/ladění/potvrzení volby, až se na displeji zobrazí hlášení „Factory Reset“ (obnovit do výrobního nastavení). Stisknutím ovládacího knoflíku ladění nastavení potvrďte.
3. Otáčením knoflíku nastavení hlasitosti/ladění/potvrzení volby vyberte možnost „Yes“ (ano). Stisknutím knoflíku nastavení hlasitosti/ladění/potvrzení volby proveďte kompletní resetování.

## Verze softwaru

1. Stiskněte tlačítko Advanced (pokročilé nastavení).
2. Otáčejte knoflíkem nastavení hlasitosti/ladění/potvrzení volby, až se na displeji zobrazí hlášení „SW Version“ (verze softwaru). Stisknutím knoflíku nastavení hlasitosti/ladění/potvrzení volby zobrazíte verzi softwaru nainstalovaného v rádiu.

## Port mikro USB pro aktualizaci softwaru

V budoucnu může být k dispozici aktualizace softwaru rádia.

Jakmile bude aktualizace softwaru k dispozici, zobrazí se potřebné informace o aktualizaci rádia na **webových stránkách Makita**.

## ÚDRŽBA

### **⚠ UPOZORNĚNÍ:**

**Nikdy nepoužívejte benzín, benzen, ředidlo, alkohol či podobné prostředky. Mohlo by tak dojít ke změnám barvy, deformacím či vzniku prasklin.**

## TECHNICKÉ ÚDAJE

Požadavky na napájení	
Sítový adaptér	12 V ss 1,2A, kladný pól na středovém kolíku
Akumulátor	Kazetový akumulátor: 7,2 V - 10,8 V Zásuvný akumulátor: 10,8 V - 18 V
Kmitočtový rozsah	FM 87,50 - 108 MHz DAB/DAB+ 174,928-239,200 MHz
Blok kanálů DAB/DAB+	DAB (III. pásmo) 5A-13F
Kompatibilní standard	DAB/DAB+

Bluetooth®	
(Slovní ochranná známka Bluetooth® a příslušná loga jsou registrované ochranné známky vlastněné společností Bluetooth SIG, Inc.)	
Verze Bluetooth	4,0
Profily Bluetooth	A2DP/SCMS-T
Vysílací výkon	Třída výkonu 2
Dosah přenosu	Optimální: Max. 10 metrů (33 stop) Možné: Max. 30 metrů (100 stop) (liší se podle podmínek použití)
Podporovaný kodek	SBC,AAC
Kompatibilní profil Bluetooth	A2DP
Maximální výstup radiofrekvence	BT EDR: 3,12dBm BT LE: 2,31dBm
Provozní frekvence	2402MHz~2480MHz

Charakteristiky	
Reproduktor	3,5 palcový, 32 ohmů, × 2
Vstupní konektor	7,2 V: 0,6 W X 2 12Vmax: 1,7 W X 2 14,4 V: 3 W X 2 18 V: 4,9 W X 2
Vstupní terminál	Prům. 3,5 mm (AUX IN1/AUX IN2)
Anténní systém	DAB/FM: krátká ohebná anténa
Rozměry (D×Š×V)	282 × 163 × 294 mm
Hmotnost	4,3KG (bez akumulátoru)

### Az általános nézet részletezése (1~5. ábra)

1. Hajlított rúdantenna
2. Az akkutartó rekesz zárja
3. Fogó
4. Az akkutartó rekesz fedele (az akkukazettát fedi)
5. DC IN bemenet
6. Hangszóró
7. Power gomb
8. Band gomb
9. Advanced beállítógomb
10. Info gomb
11. 2 – 5 előbeállítás
12. Auto tune hangológomb
13. Hangerő/hangolás/kiválasztás
14. USB tápellátási bemenet
15. AUX IN 1 aljzat
16. Preset 1/Bluetooth párosítási gomb
17. LCD kijelző
18. Bemenő terminál (AUX IN 2)
19. Akkutartó rekesz
20. Micro USB port a szoftver frissítéséhez
21. Akkukazetta

### SZIMBÓLUMOK

Az alábbiakban a készülékkel kapcsolatos szimbólumokról olvashat. Fontos, hogy használat előtt ezekkel tisztában legyen.



Olvassa el a használati útmutatót.



Csak az EU tagországaiban

A elektromos készüléket és az akkumulátor-egységet ne helyezze a háztartási hulladékba!

Az elektromos berendezésekre, elemekre és akkumulátorokra vonatkozó európai irányelveknek és azoknak az egyes országok jogrendszerébe történő beültetésének megfelelően az elektromos berendezéseket, elemeket és akkumulátorokat élettartamuk lejártakor elkülönítve kell begyűjteni és eljuttatni egy környezetbarát újrahasznosítási pontra.

## FONTOS BIZTONSÁGI UTASÍTÁSOK

### ⚠ FIGYELMEZTETÉS:

Elektromos eszközök használata során mindig tartsa be az alapvető biztonsági utasításokat, így csökkentheti a tüzesetek, áramütés és a személyi sérülések kockázatát. Ezek az alábbiak:

1. Használat előtt figyelmesen olvassa el ezt a használati útmutatót és a töltő utasításait.
2. A készüléket csak száraz ruhával tisztítsa.
3. A készüléket ne szerelje be hőforrások közelébe, pl. radiátorok, hőszugárzók, kályhák, erősítők stb., melyek hőt termelnek.
4. Kizárólag a gyártó által megadott csatlományokat és alkatrészeket és kellékeket használja.
5. Viharok esetén, illetve ha hosszabb ideig nem kívánja használni, a készülék elektromos csatlakozóját húzza ki a konnektorból.
6. A rádió beépített akkumulátorait és a különálló akkumulátort kizárólag a töltésükhöz előírt töltőkészülékkel szabad tölteni. Egy bizonyos akkumulátortípushoz használható töltő más akkumulátortípusúval való használata tűzveszélyt idézhet elő.
7. Az akkumulátoros rádiót kizárólag a számára készített akkumulátorokkal használja. Bármely egyéb akkumulátor használata tűz kockázatával járhat.
8. Ha az akkumulátor-egységet nem használja, tartsa távol irodai kapcsoktól, pénzrémektől, kulcsoktól, szögektől, csavaroktól és minden egyéb olyan tárgytól, mely a csatlópontokat összekötheti. Az akkumulátor csatlópontjának rövidzárlata következtében szikrák keletkezhetnek, illetve égési sérülésekkel és tüzesettel is járhat.
9. Ne kerüljön a testfelülete érintkezésbe olyan földelt felületekkel, mint például csövek, radiátorok, vízmelegítők vagy hűtőgépek. Az áramütés veszélye fokozottan fennáll, ha a teste földelve van.
10. Helytelen használat esetén az akkumulátorból folyadék távozhat; kerüljön ezzel minden érintkezéssel. Ha véletlenül érintkezésbe került a folyadékkal, öblítse le vízzel. Ha a folyadék a szembe jut, vegyen igénybe orvosi segítséget. Az akkumulátorból kiszivárgó folyadék irritációt és égési sérüléseket okozhat.
11. Ne használjon sérült vagy módosított akkumulátor-egységeket vagy eszközöket. A sérült vagy módosított akkumulátorok működése kiszámíthatatlan lehet, mely tüzesethez, robbanáshoz és sérülésekhez vezethet.
12. Akkumulátor-egységeket, eszközöket ne tegyen ki nyílt lángnak vagy magas hőmérsékleteknek. A tűz vagy a 130 °C feletti hőmérséklet robbanást okozhat.
13. Az akkumulátor-egységek vagy eszközök töltéséhez kövesse a töltésre vonatkozó utasításokat, és ne végezzen töltést az útmutatóban megadott hőmérsékleti tartományon kívül. A helytelen, vagy a megadott

- hőmérsékleti tartományon kívüli töltés kért tehet az akkumulátorban, és fokozott tűzveszéllyel is járhat.
14. A hálózati csatlakozó a készülék áramtalanítására szolgál, melynek működőképes állapotban kell maradnia.
  15. Ne használja a terméket túl nagy hangerőn hosszú időn keresztül. A halláskárosodás megelőzése érdekében a terméket mérsékelt hangerőn üzemeltesse.
  16. (Csak LCD kijelzővel rendelkező termékekhez) Az LCD kijelzők olyan folyadékot tartalmaznak, mely irritációt és mérgezést okozhat. Ha a folyadék a szembe, a szájba vagy a bőrre jut, öblítse le vízzel és forduljon orvoshoz.
  17. Ne tegye ki a terméket esőnek vagy nedvességnek. Ha a készülék belsőbe víz jut, az növeli az áramütés kockázatát.
  18. A készüléket akkor használhatják gyermekek és csökkentett fizikai, érzékszervi vagy szellemi képességű személyek, illetve olyanok, akik nem rendelkeznek a kellő tudással és tapasztalattal, ha egy, a biztonságukért felelős személy számukra felügyeletet biztosít és a készülék használatával kapcsolatban utasításokkal látja el őket. A gyermekek számára biztosítson felügyeletet, hogy azok ne játszassanak a termékkel. A terméket tárolja gyermekek számára nem elérhető helyen.

## ŐRIZZE MEG EZT AZ ÚTMUTATÓT

### TERMÉKSPECIFIKUS BIZTONSÁGI SZABÁLYOK

#### AKKUTARTÓ REKESZ

1. Az akkutartó rekesz használatának megkezdése előtt olvasson el minden figyelmeztető jelzést az (1) akkutartó rekeszen,
2. Ne szerelje szét az akkutartó rekeszt.
3. Ha a működési idő túlzottan lerövidül, azonnal függesse fel a használatot. Ez túlhevülésveszéllyel járhat, gyulladást vagy robbanás okozhat.
4. Ha az akkumulátor folyadék a szemébe kerül, öblítse ki tiszta vízzel, majd azonnal forduljon orvoshoz. Ez vakságot is okozhat.
5. Ne zárja rövidre az akkutartó rekeszt:
  - 1) Ne érjen a csatlakozópontokhoz semmilyen vezető anyaggal.
  - 2) Ne tárolja az akkutartó rekeszt egy tárolóban más fém tárgyakkal, például szögekkel, pénzérmékkel, stb.
  - 3) Ne tegye ki az akkutartó rekeszt víznek vagy esőnek. Az akkumulátor rövidzárlata nagymennyiségű elektromos áram átfolyásával és túlhevüléssel járhat, gyulladást okozhat, vagy akár tönkre is mehet.
6. Ne tárolja az akkutartó rekeszt olyan helyeken, ahol a hőmérséklet meghaladhatja az 50°C (122°F) értéket.

7. Ne próbálja elégetni az akkutartó rekeszt még akkor sem, ha az némileg sérült vagy már teljesen elhasználódott. Az akkutartó rekesz tűzben felrobbanhat.
8. Ügyeljen arra, hogy ne ejtse le az akkumulátort, és azt ne érje erős ütés sem.
9. Ne használja az akkumulátort, ha az sérült.
10. A kockázatok elkerülése érdekében használat előtt olvassa el a cserélhető akkumulátor kezelési útmutatóját. Emellett az akkumulátor maximális kimenő árama 8A, vagy annál nagyobb legyen.
11. A készülék lítium-ion akkumulátoraira a törvény szerint a veszélyes árukra vonatkozó követelmények vonatkoznak. Üzleti célú szállítás során, tehát harmadik feleknél, szállítócégeknél figyelembe kell venni a csomagoláson és a címkéken feltüntetett különleges előírásokat.

A termék szállítása előtt igénybe kell venni egy veszélyes árukra specializálódott szakember tanácsát. Kérjük, részletesen tanulmányozza az országos szabályozásokat is. Ragasszon vagy takarjon le minden nyílt csatlakozási pontot. Az akkumulátort csomagolja be úgy, hogy az ne tudjon mozogni a csomagolásban.

12. Az akkumulátor kiselejtezésével kapcsolatban kövesse a helyi szabályozásokat.
13. Az akkumulátorokat csak a Makita által megadott termékekhez használja. Ha az akkumulátor nem vele kompatibilis termékbe kerül, az tüzesethet, túlhevülethez, vagy az elektrolit szivárgásához vezethet.

#### ⚠ FIGYELEM:

- Az akkumulátor helytelen behelyezése robbanáshoz vezethet.
- Csak egyforma vagy annak megfelelő típusúra cserélje.
- Kizárólag eredeti Makita akkumulátorokat használjon. A nem eredeti, vagy módosított akkumulátorok felrobbanhatnak, tüzesetet, személyi sérüléseket és károkat okozhatnak. Emellett a Makita eszközre és a töltőre vonatkozó jótállás is érvényét veszti.

#### Tipppek az akkumulátor élettartamának meghosszabbításához

1. Töltse fel az akkutartó rekeszt, mielőtt az teljes mértékben lemerülne. Minden esetben függesse fel a használatot és töltse fel az akkutartó rekeszt, amint észleli, hogy a készülék teljesítménye gyengül.
2. Soha ne töltse az akkutartó rekeszt, amikor az teljes mértékben fel van töltve. A túltöltés megrövidíti az akkumulátor élettartamát.
3. Az akkutartó rekesz töltését végezze, szobahőmérsékleten 10 °C - 40 °C (50 °F - 104 °F). Töltés előtt várja meg, míg az akkutartó rekesz lehül.
4. Töltse fel az akkutartó rekeszt, ha azt hosszabb ideig (hat hónapot meghaladó ideig) nem kívánja használni.

# MŰKÖDÉSI IDŐ

\* Az alábbi táblázaton látható a működési idő egy töltéssel.

Akkumulátor kapacitása	Akkumulátorház feszültsége					A HANGFAL KIMENETÉNÉL = 100mW (egység: Óra) (Megközelítőleg)	
	7,2 V	10,8 V	10,8 V – 12Vmax	14,4 V	18 V	Rádió- vagy AUX bemenet	Rádió- bemenet USB- töltéssel (1,0 A)
1,0 Ah	BL7010					5,0	0,7
1,3 Ah		BL1013				7,0	0,9
				BL1415		5,5	1,7
					BL1815	6,0	1,9
1,5 Ah	BL0715					7,5	1,0
			BL1015 BL1016			8,5	1,7
				BL1415N		7,0	2,0
					BL1815N	7,5	2,0
2,0 Ah			BL1020B BL1021B			11	2,0
					BL1820 BL1820B	10	3,0
3,0 Ah				BL1430 BL1430B		12	3,5
					BL1830 BL1830B	14	4,0
4,0 Ah			BL1040B BL1041B			21	4,0
				BL1440		19	5,5
					BL1840 BL1840B	20	6,0
5,0 Ah				BL1450		23	6,5
					BL1850 BL1850B	26	8,0
6,0 Ah				BL1460B		25	7,5
					BL1860B	31	9,5

 : Dugaszolandó akkumulátor  : Becsúsztatandó akkumulátor

## FIGYELEM:

Kizárólag a fent felsorolt akkuzettákat használja. Azoktól eltérő kazetták használata sérülésekhez és/vagy tüzesettséghez vezethet.

## Megjegyzés:

Az akkumulátorok készletléti idejét bemutató táblázat adatai tájékoztató jellegűek. A valós üzemidő függhet az akkumulátor típusától, a töltés feltételeitől és a használati környezettől is.

# BESZERELÉS ÉS ÁRAMELLÁTÁS

## ⚠ Figyelem:

- Vigyázzon arra, hogy ne csipje be az ujjait, amikor lezárja az akkumulátor rekeszének a fedelét.
- Az akkukazetta behelyezése és kivétele után állítsa vissza az eredeti állásba az akkumulátor rekeszének zárját. Ellenkező esetben az akkukazetta véletlenül kieshet a rádióból, sérülést okozva Önnek vagy a körülötte állóknak.
- A rádió szállítása előtt mindig zárja le az akkutartó rekesz zárját.
- Az akkukazetta behelyezése vagy kivétele előtt mindig kapcsolja ki a rádiót.
- Vigyázzon, hogy ne ejtse le vagy üsse meg a rádiót. A törött borítás megvághatja az ujjait vagy megütheti a testét. Ha a rádió megsérül, kiszámíthatatlanul viselkedhet és tüzesetet, robbanást vagy sérülést okozhat.

## FONTOS:

- Ha a teljesítmény gyengül, a hang zavaros, remeg, vagy ha a kijelzőn a "POWERFAIL" felirat jelenik meg az azt jelzi, hogy az akkukazettát ki kell cserélni.
- Az akkukazettát lem lehet a mellékelt hálózati adapteren keresztül feltölteni.
- Az akkukazetta nincs a standard tartozékok közt.

## A becsúsztatandó akkumulátorház behelyezése és eltávolítása (2. és 3. ábra)

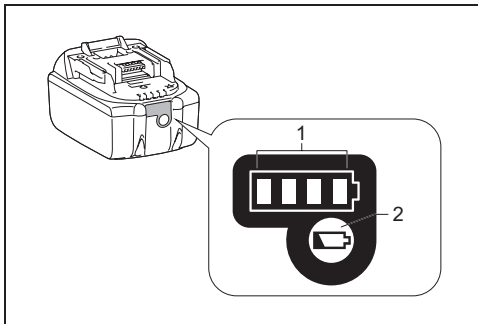
1. Az akkumulátorház beszereléséhez illessze az akkumulátorház nyelvét a burkolaton található vágatba és csúsztassa a helyére. Egészen addig tolja be, amíg egy kis kattánással a helyére nem ugrik.
2. Ha látható a piros rész a gomb felső oldalán, akkor a gomb nem kattant be teljesen. Helyezze be az akkumulátort teljesen, amíg a piros rész el nem tűnik. Ha ez nem történik meg, akkor az akkumulátor kieshet a rádióból, és sérülést okozhat Önnek vagy a környezetében lévő más személyeknek.
3. Ne erőltesse az akkumulátorházat a behelyezéskor. Ha az akkumulátorház nem csúszik be könnyedén, akkor nem megfelelően lett behelyezve.
4. Az akkukazetta kivételéhez csúsztassa azt ki a rádióból, ehhez a kazetta elején lévő gombot kell csúsztatni.

## A dugaszolandó akkumulátorház behelyezése és eltávolítása (4. és 5. ábra)

1. Az akkumulátorház behelyezéséhez illessze az akkumulátorház nyelvét a burkolaton található horonyhoz, és csúsztassa a helyére.
2. Az akkumulátorház eltávolításához húzza azt ki a csatlakozóból a két oldalán található gombokat lenyomva tartva.

## Az akkumulátor töltöttségének jelzése

\* Kizárólag olyan akkumulátorokhoz, amelyek modellszáma „B”-re végződik.



### ➤ 1. Jelzőfény 2. Ellenőrző gomb

Nyomja meg a Check (Ellenőrzés) gombot az akkumulátoron annak töltöttségi szintjének megjelenítéséhez. A jelzőlámpák néhány másodpercre felvillannak.

### • 14,4V/18V akkumulátorok

Jelzőfények			Maradék akkufeszültség
VilágítNem	Ég	Villog	
■	■	■	75% ~ 100%
■	■	□	50% ~ 75%
■	□	□	25% ~ 50%
■	□	□	0% ~ 25%
◐	□	□	Az akkumulátor töltése
■	□	□	Az akkumulátor meghibásodhatott
□	□	■	

## • 10,8V-12V max akkumulátorok

Jelzőfények			Maradék akkufeszültség
VilágítNem	Eg	Villog	
■ ■ ■ ■			75% ~ 100%
■ ■ ■ □			50% ~ 75%
■ ■ □ □			25% ~ 50%
■ □ □ □			0% ~ 25%

### MEGJEGYZÉS:

A külső hőmérsékleti viszonyoktól függően a jelzés kissé eltérhet a valós akkufeszültségtől.

### A puha, hajlékony rúdantenna felszerelése (1. ábra)

A hajlékony rúdantennát az ábra szerint kell egyenesbe állítani.

### A mellékelt hálózati adapter használata

Vegye le a védőgumit, majd dugja be az adapter csatlakozóját a rádió job oldalán található aljzatba.

Az adapter hálózati csatlakozóját dugja be egy szabványos konnektorba.

Amikor az adapter használja, az akkusomag automatikusan kikapcsol.

#### ⚠ Vigyázat:

- **A rádió szállítása előtt minden esetben szüntesse meg az adapter csatlakozását. Ha a csatlakozást nem szünteti meg, az áramütést okozhat.**
- **Soha ne húzza, rángassa az adapter vezetékét. Ennek következtében a rádió véletlenül leeshet és Ön vagy a körülötte állók megsérülhetnek.**

#### FONTOS:

- A hálózati adapter a rádió hálózati áramellátására szolgál. A konnektor a normál használat során legyen mindig hozzáférhető.
- A rádió hálózati csatlakoztatásának megszüntetéséhez az adapter csatlakozóját teljesen ki kell húzni a konnektorból.
- Csak a termékhez mellékelt és a Makita által meghatározott AC hálózati adaptert használja.
- Ne tartsa és ne csatlakoztassa az elektromos vezetékét a szájjával, mert az áramütéshez vezethet.
- Ne érjen az elektromos csatlakozóhoz nedves vagy zsíros kézzel.
- A sérült vagy összegubancolódott vezetékek áramütést okozhatnak. Ha a vezeték megsérült, a biztonsági kockázatok elkerülése érdekében azt egy arra jogosult szervizközpontban cseréltesse ki. Szereltesse meg,

mielőtt használná.

- Használat után tárolja az AC hálózati adaptert gyermekek számára nem elérhető helyen. Ha a gyermekek a vezetékkel játszanak, megsérülhetnek.

### Töltés az USB tápellátó porton keresztül

A rádió elején egy USB-port található. Ezen az USB-porton keresztül tölthet USB-eszközöket.

1. A megvásárolható USB-kábel segítségével csatlakoztathat olyan USB-eszközöket, mint például az iPod, az MP3- vagy a CD-lejátszó.
2. A rádió bekapcsolásához nyomja meg a Be-/kikapcsoló gombot.
3. Nem számít, hogy a rádiót tápcsatlakozóról vagy akkumulátorról működtetik, akkor is tölthető USB-eszköz vele, ha FM/DAB -rádió üzemmódban, BT módban vagy AUX módban bekapcsolják. Ez utóbbi mód akkor jelenik meg, ha külső hangforrást csatlakoztatnak.

#### Megjegyzés:

- A hangszóró kimeneti teljesítménye, a maximális hangerő csökkenni fog az USB töltése közben.
- Az USB-aljzat maximum 1 A-os és 5 V-os elektromos áramot biztosíthat.

#### Fontos:

- Mielőtt csatlakoztatja USB-eszközt az aljzathoz, mindig mentse le az USB-eszközön lévő adatokat. Ellenkező esetben az adatok bármikor elveszhetnek.
- A rádió egyes USB-eszközök számára nem tud áramot biztosítani.
- Ha nem használja, vagy töltés után, távolítsa el az USB kábelt és zárja be a fedelet.
- Ne csatlakoztasson áramforrást az USB-portba. Ellenkező esetben fennáll a tűz kockázata. Az USB-port kizárólag alacsonyabb feszültségű készülék töltésére használható. Mindig helyezze a fedelet az USB-portra, ha nem tölti az alacsonyabb feszültségű készüléket.
- Ne helyezzen el szöveget, huzalt stb. az USB tápellátó portba. Ellenkező esetben rövidzárlat füstöt és tüzet okozhat.
- Ne csatlakoztassa ezt az USB aljzatot a PC USB-portjába, mivel akkor nagyon valószínű, hogy ez az egységek meghibásodását eredményezheti.

## RÁDIÓHALLGATÁS

A rádió 3 féle hangolási móddal rendelkezik: kereső hangolással, kézi hangolással és előre programozott állomások előhívásával.

### Állomás kiválasztása – DAB

1. A rádió bekapcsolásához nyomja meg a Be-/kikapcsoló gombot.
2. A Hullámsáv gomb megnyomásával válassza ki a DAB

üzemmódot.

3. Nyomja meg a Speciális beállítások gombot, majd forgassa a Hangerő/Hangolás-szabályozás/Kiválasztó gombot, amíg a „Station List” (Állomáslista) felirat villogni nem kezd a kijelzőn. Nyomja meg a Hangerő/Hangolás-szabályozás/Kiválasztó gombot az állomások listájába történő belépéshez.
4. A Hangerő/Hangolás-szabályozás/Kiválasztó gombot forgatva görgethet az elérhető állomások között. Nyomja meg a gombot az állomás kiválasztásához.
5. A Hangerő/Hangolás-szabályozás/Kiválasztó gomb forgatásával állítsa be a kívánt hangerőt.

## Kijelző üzemmódjai – DAB

A rádió egy sor megjelenítési lehetőséget tartalmaz az DAB üzemmódhoz:

Az Info gomb megnyomásával görgethet az alábbi (a–g) betűkkel jelzett különböző opciók között.

- |                           |  |
|---------------------------|--|
| a. Állomás neve           | Megjeleníti az éppen hallgatott állomás nevét.   |
| b. Program típusa         | Megjeleníti az éppen hallgatott állomás típusát. Pl. Pop, Klasszikus, Hírek stb.         |
| c. Multiplex név          | Megjeleníti annak a DAB multiplexnek a nevét, amelyhez az állomás tartozik.              |
| d. Dátum és idő           | A dátumot és pontos időt jeleníti meg.   |
| e. Frekvencia és csatorna | Megjeleníti az éppen hangolt DAB-állomás frekvenciáját és csatormaszámát.                |
| f. Bitráta/Hang típusa    | Az éppen hangolt DAB-állomás digitális hangjának bitrátáját és hangtípusát jeleníti meg. |
| g. Jelerősség             | Az éppen hangolt DAB-állomás jelerősségét mutatja.                                       |

## Új állomások keresése – DAB

Időről időre új DAB rádióállomások jelenhetnek meg. Az is előfordulhat, hogy Ön egy másik országrészbe költözik. Ebben az esetben új állomásokat kerestethet a rádióval. Ahhoz, hogy a rádió új elérhető állomásokat tudjon keresni, javasolt egy teljes keresést elvégezni a III. DAB-hullámsáv frekvenciáin.

1. Nyomja meg az Automatikus hangolás gombot.
2. A rádió egy teljes keresést hajt végre a DAB-frekvenciákon. Új állomások találata esetén a kijelző bal oldalán lévő állomásszámláló értéke megnő, és az állomások bekerülnek a listába.

## Kézi hangolás – DAB

A kézi hangolással megadhatja a III. DAB-hullámsáv egy meghatározott frekvenciáját. Ez a funkció az antenna vagy a rádió pozicionálásához is használható,

egy adott csatorna vagy frekvencia vételének optimális beállításához.

1. Nyomja meg a Speciális beállítások gombot, majd forgassa a Hangerő/Hangolás-szabályozás/Kiválasztó gombot, amíg a „Manual Tune” (Kézi hangolás) felirat meg nem jelenik a kijelzőn. Nyomja meg a Hangerő/Hangolás-szabályozás/Kiválasztó gombot a kézi hangolás üzemmódba lépéshez.
2. Forgassa a Hangerő/Hangolás-szabályozás/Kiválasztó gombot a kívánt DAB-csatorna kiválasztásához. Nyomja meg a Hangerő/Hangolás-szabályozás/Kiválasztó gombot a választott frekvencia megerősítéséhez.

## Állomások sorrendjének beállítása – DAB

A rádión háromféle állomássorrend-beállítás választható. Az állomássorrend-beállítások a következők: ábécé-sorrend, csoportos és érvényes.

1. Nyomja meg a Speciális beállítások gombot.
2. Forgassa a Hangerő/Hangolás-szabályozás/Kiválasztó gombot, amíg a „Station order” (Állomássorrend) felirat meg nem jelenik a kijelzőn, majd nyomja meg a Hangerő/Hangolás-szabályozás/Kiválasztó gombot a beállítás megadásához.
3. A Hangerő/Hangolás-szabályozás/Kiválasztó gomb elforgatásával válasszon az alábbi lehetőségek közül, majd nyomja meg a gombot a beállítás megerősítéséhez.

Ábécé-sorrend	Alfanumerikus (0–9, A–Z) sorrendben rendezi az állomásokat
Csoportos	DAB multiplex szerint rendezi az állomásokat
Érvényes	Csak azokat az állomásokat jeleníti meg, amelyekhez érzékelhető a jel

## Dinamikartomány-szabályozás (DRC) – DAB

A DRC funkció a hangjel dinamikartományának csökkentésével hallhatóbbá teszi a halk hangokat, amikor a rádiót zajos környezetben használja. Háromféle tömörítési szint létezik:

DRC 0	Nincs tömörítés.
DRC 1/2	Közepes tömörítés.
DRC 1	Maximális tömörítés.

1. A rádió bekapcsolásához nyomja meg a Be-/kikapcsoló gombot.
2. A Hullámsáv gombbal válassza ki a DAB-hullámsávot.
3. Nyomja meg a Speciális beállítások gombot, majd forgassa a Hangerő/Hangolás-szabályozás/Kiválasztó gombot, amíg a „DRC Value” (DRC-érték) felirat meg nem jelenik a kijelzőn. Ezután a Hangerő/Hangolás-szabályozás/Kiválasztó gomb megnyomásával lépjen a beállításba. A kijelzőn az aktuális DRC-érték látható.
4. Forgassa a Hangerő/Hangolás-szabályozás/Kiválasztó

gombot a kívánt DRC-beállítás kiválasztásához.

5. A Hangerő/Hangolás-szabályozás/Kiválasztó gomb megnyomásával erősítse meg beállítását.

## Kereső hangolás – FM

1. A rádió bekapcsolásához nyomja meg a Be-/kikapcsoló gombot.
2. A Hullámsáv gomb megnyomásával válassza ki a kívánt hullámsávot. A legjobb FM hullámsávú vétel érdekében ügyeljen arra, hogy a hajlékony rudantenna helyesen legyen elhelyezve. Próbálja kerülni a rádió használatát számítógép monitor és egyéb olyan berendezés közelében, melyek zavarhatják az adás vételében.
3. Az Automatikus hangolás gomb megnyomásakor a rádió megkezdi a keresést, és automatikusan megáll, amint rádióállomást talál. A rádió addig folytatja a következő állomás keresését, amíg a kezelő az Automatikus hangolás gomb megnyomásával le nem állítja a keresést.
4. A Hangerő/Hangolás-szabályozás/Kiválasztó gomb elforgatásával állítsa be a kívánt hangerőt. Az LCD-kijelző megjeleníti a hangerő szintjének változását.
5. A rádió kikapcsolásához nyomja meg a Be-/kikapcsoló gombot.

## FM keresési zóna

A rádión az FM üzemmód használata során beállítható, hogy helyi adókat keressen vagy az összes adóállomást, a távoli állomásokat is beleértve.

1. A rádió bekapcsolásához nyomja meg a Be-/kikapcsoló gombot.
2. Az FM sáv kiválasztásához nyomja meg a Band gombot.
3. Nyomja meg az Advanced beállítógombot, majd tekerjen a hangerő/hangolás/kiválasztógombot, amíg a kijelzőn az "FM Scan Zone" felirat meg nem jelenik a kijelzőn. A beállításokhoz a hangerő/hangolás/kiválasztógomb megnyomásával léphet.
4. A hangerő/hangolás/kiválasztógomb elforgatásával választhat a "Local" (csak az erős jelű állomások) és a "Distant" (minden állomás) lehetőségek között a kijelző alsó sorában. A Distant lehetőség kiválasztása esetén a rádió a keresés során a gyengébb jeleket is meg fogja találni.
5. A kiválasztás jóváhagyásához nyomja meg a hangerő/hangolás/kiválasztógombot, A Local vagy a Distant opció beállítását a rádió elmenti, és a rendszer visszaállításáig érvényben marad.

## Kézi hangolás – FM

1. A rádió bekapcsolásához nyomja meg a Be-/kikapcsoló gombot.
2. A Hullámsáv gombbal válassza ki a kívánt hullámsávot.

Az antennát a fenti leírás szerint állítsa be.

3. A frekvencia a Hangerő/Hangolás-szabályozás/Kiválasztó gomb elforgatásával változtatható, a következő lépésekben: FM: 50 kHz  
**Megjegyzés:**

A kívánt állomás Hangerő/Hangolás-szabályozás/Kiválasztó gomb elforgatásával történő kereséséhez a Hangerő/Hangolás-szabályozás/Kiválasztó gomb megnyomásával váltson hangolás-szabályozás üzemmódba.

4. Forgassa a Hangerő/Hangolás-szabályozás/Kiválasztó gombot, amíg a kijelzőn a kívánt frekvenciát nem látja.
5. A Hangerő/Hangolás-szabályozás/Kiválasztó gomb elforgatásával állítsa be a kívánt hangerőt.
6. A rádió kikapcsolásához nyomja meg a Be-/kikapcsoló gombot.

## Kijelző üzemmódjai – FM (RDS)

A rádió egy sor megjelenítési lehetőséget tartalmaz az FM rádió üzemmódhoz:

Az épp hallgatott állomás RDS-információinak (Rádiós adatrendszer) megtekintéséhez nyomja meg az Info gombot többször egymás után.

- |                   |   |
|-------------------|---|
| a. Állomás        | Megjeleníti az éppen hallgatott állomás nevét.  |
| b. Frekvencia     | Az FM rádiójel frekvenciáját jeleníti meg.  |
| c. Rádió szöveg   | Megjeleníti a rádió szöveges üzeneteit, mint például az új tételeket stb.             |
| d. Program típusa | Megjeleníti az éppen hallgatott állomás típusát, mint pl. Pop, Klasszikus, Hírek stb. |
| e. Dátum és idő   | A dátumot és pontos időt jeleníti meg.  |

## Állomások tárolása a programhely memóriájában (DAB és FM)

Mindegyik hullámsávnál 5 rádióadó tárolható a memóriába.

1. A rádió bekapcsolásához nyomja meg a Be-/kikapcsoló gombot.
2. Hangoljon a kívánt állomásra a korábban leírt módszerek egyikével.
3. Hosszan nyomja meg a kívánt programhely gombot, amíg az programhely száma meg nem jelenik a kijelzőn, például „P2 Saved” (P2 mentve). A rádió a kiválasztott programhely gombhoz menti az állomást.
4. Ismétlje meg az eljárást a fennmaradó programhelyszámokkal is.
5. A memóriában tárolt állomások a fent leírt módon módosíthatók.



## Állomások előhívása a programhely memóriájából (DAB és FM)

1. A rádió bekapcsolásához nyomja meg a Be-/kikapcsoló gombot.
2. A Hullámsáv gombbal válassza ki a kívánt hullámsávot.
3. Röviden nyomja meg a kívánt programhelyszám gombot. A kijelzőn megjelenik a programhely száma és az állomás frekvenciája.

## ZENEHALLGATÁS BLUETOOTH-ON KERESZTÜL

Az automata kapcsolódáshoz és a rádióról Bluetooth-on keresztül történő zenehallgatáshoz először párosítania kell Bluetooth készülékét a rádióval.

A párosítás egy kapcsot hoz létre a két készülék között, hogy meg tudják ismerni egymást.

### MEGJEGYZÉS:

A jobb hangminőség érdekében ajánlatos a Bluetooth eszköze hangerejét a kétharmadnál nagyobbra állítani, a hangerőt ezután a rádión módosíthatja.

## Bluetooth-eszköze párosítása az első alkalommal

1. A rádió bekapcsolásához nyomja meg a Power gombot. A Bluetooth mód kiválasztásához nyomja meg a Band gombot. A Bluetooth kijelzése a Preset gombokon villogni kezd jelezve, hogy a rádió felfedezhető.
2. A rádió párosításához kapcsolja be a Bluetooth funkciót a készüléke útmutatója szerint. Keresse meg a Bluetooth-eszközök listáját, majd válassza ki a listából 'DMR112' nevű eszközt (A BT2.1 verziónál korábbi Bluetooth eszközök esetén lehet, hogy meg kell adnia a "0000" jelszót).
3. Amint a készülékek összekapcsolódtak, egy hangjelzést hall, a Preset gombok jelzőfényei pedig folyamatosan világítani fognak. Ezután egyszerűen válasszon ki és játsszon le bármilyen zeneszámot a forráseszközéről. A hangerőt mind a forráseszközén, mind pedig a rádión tudja állítani.
4. A műsorszámok közötti léptetésre, valamint a lejátszásra és a lejátszás megszakítására a Bluetooth-eszközén és közvetlenül a rádión is van lehetőség.

### MEGJEGYZÉS:

1. Ha 2 Bluetooth eszköz először kapcsolódik, mindkettő keresni kezdi a rádiót, az mindkettőn meg is fog jelenni. Az egyik eszközzel történő párosítást követően azonban a másik eszköz már nem fogja látni a rádiót.
2. Ha a Bluetooth-eszköz csatlakozása a rádióhoz átmenetileg megszakad, a csatlakozást újra el kell végeznie manuálisan.
3. Ha a 'DMR112' látható a Bluetooth-eszköz listáján, de a csatlakozás sikertelen, törölje le az elemet a listáról, majd végezze el a párosítást az eszközzel az

előzőekben ismertetett lépések szerint.

4. A Bluetooth optimális hatósugara a rádiótól számítva körülbelül 10 méter (látótávolságban)
5. Ha a Bluetooth kapcsolódás a leválasztási idő hosszúsága, a hatótávolság túllépése, akadályok vagy hasonló miatt megszakad, a csatlakozást lehet, hogy meg kell ismételni.
6. A kapcsolat minőségét fizikai akadályok, más vezeték nélküli vagy elektromágneses eszközök is befolyásolhatják.
7. A Bluetooth kapcsolódás minősége a párosított eszköztől is függ. A rádióhoz való kapcsolódás előtt nézzen utána az eszköze Bluetooth kapacitásának. Egyes párosított eszközök nem támogatják az összes funkciót.

## Hangfájlok lejátszása Bluetooth módban

Miután a rádió sikeresen kapcsolódott egy kiválasztott Bluetooth-eszközhöz, a lejátszást vezérelheti a kapcsolódó Bluetooth-eszköze segítségével.

1. Miután a lejátszás megkezdődött, a hangerőt a rádió hangerőszabályzó gombja vagy a Bluetooth-eszköz hangerőszabályzója segítségével állíthatja.
2. A lejátszást elindítása és megszakítása, valamint a műsorszámok közti mozgás az eszköz kezelőszervei segítségével történik.

### MEGJEGYZÉS:

1. Nem minden zenelejátszó alkalmazás vagy eszköz reagál ezekre a kezelőszervekre.
2. Egyes mobiltelefonoknál hívások indításakor vagy fogadásakor a kapcsolat átmenetileg megszakadhat. Más eszközöknél a Bluetooth zenelejátszása szöveges üzenetek, e-mailek fogadásakor vagy más, a zenelejátszástól független okból egy rövid időre elnémulhat. Az ilyen viselkedés a csatlakoztatott eszköz funkciója, nem a rádió meghibásodására utal.

## Lejátszás egy előzőleg párosított Bluetooth-forrásról

A rádió legfeljebb 8 párosított eszköz megjegyzésére képes, ha ezt a számot meghaladja, a legrégebbi párosítási előzmény felülírásra kerül. Amennyiben Bluetooth-eszközét már korábban párosította a rádióval, a készülék megjegyzi azt, és megpróbál kapcsolódni ahhoz az eszközhöz, amelyhez a legutóbb kapcsolódott. Ha a legutóbb kapcsolódott eszköz nem elérhető, a rádió felfedezhető állapotban marad.

## Bluetooth-eszközök leválasztása

Tartsa lenyomva a Bluetooth párosítás gombját 2-3 másodpercre a Bluetooth-eszköz kapcsolódásának megszüntetéséhez. A Bluetooth jelzőfénye a Preset gombokon kéken villogni kezd, mely azt jelzi, hogy a rádió újra felfedezhető.

## AUX SEGÉDBEMENET

A készülék két 3,5 mm-es sztereó Aux bemenettel rendelkezik. Az egyik a rádió elülső részén található (AUX IN 1), a másik pedig az akkumulátor rekeszében (AUX IN 2).

1. Csatlakoztasson egy külső audioforrást (iPod-ot, MP3-lejátszót vagy CD-lejátszót) az AUX bemenethez egy audiókábel segítségével.
2. Többször egymás után nyomja meg és engedje fel a Band gombot, amíg az „AUX IN 1” vagy az „AUX IN 2” feliratot nem látja a képernyőn, ekkor az AUX funkció aktiválásra kerül.
3. A jobb hangminőség érdekében ajánlatos a Bluetooth eszköze hangerejét a kétharmadnál nagyobbra állítani, a hangerőt ezután a rádióon módosíthatja.

### Megjegyzés:

Audiókábel nincs a mellékelt tartozékok között.

## VEGYES BEÁLLÍTÁSOK

### Language options

A rádióon nyolc nyelv közül választhat: Angol, német, olasz, francia, holland, dán, norvég és spanyol.

1. Nyomja meg a Speciális beállítások gombot.
2. Forgassa a Hangerő/Hangolás-szabályozás/Kiválasztó gombot, amíg a kijelzőn meg nem jelenik a „Language” (Nyelv) felirat. A Hangerő/Hangolás-szabályozás/Kiválasztó gomb megnyomásával lépjen a beállításba.
3. A Hangerő/Hangolás-szabályozás/Kiválasztó gomb elforgatásával választhatja ki a kívánt nyelvet. A Hangerő/Hangolás-szabályozás/Kiválasztó gomb megnyomásával erősítse meg beállítást.

### Fényerő beállítás

A Light gomb állítható.

1. Nyomja meg a Speciális beállítások gombot.
2. Tekerje a hangerő/hangolás/kiválasztógombot addig, míg a kijelzőn a „Button Light” feliratot nem látja.
3. Tekerje a hangerő/hangolás/kiválasztógombot, mellyel választhat az „On” (be) és az „Off” (ki) lehetőségek között is a gombok világításának az engedélyezéséhez illetve letiltásához. A beállítást a hangerő/hangolás/kiválasztógomb megnyomásával hagyhatja jóvá.

### A rendszer alaphelyzetbe állítása

Amennyiben rádiója nem működik megfelelően vagy a kijelzőn néhány számjegy nem látható, illetve hiányos, hajtsa végre a következő lépéseket.

1. Nyomja meg a Speciális beállítások gombot.
2. Forgassa a Hangerő/Hangolás-szabályozás/Kiválasztó gombot, amíg a kijelzőn meg nem jelenik a „Factory Reset” (Gyári beállítások visszaállítása) felirat. A Hangerő/Hangolás-szabályozás/Kiválasztó gomb

megnyomásával lépjen a beállításba.

3. A Hangerő/Hangolás-szabályozás/Kiválasztó gomb elforgatásával válassza a „Yes” (Igen) lehetőséget. Nyomja meg a Hangerő/Hangolás-szabályozás/Kiválasztó gombot a beállítás megerősítéséhez és a teljes helyreállítás végrehajtásához.

### Szoftververzió

1. Nyomja meg a Speciális beállítások gombot.
2. Forgassa a Hangerő/Hangolás-szabályozás/Kiválasztó gombot, amíg a kijelzőn meg nem jelenik a „SW Version” (Szoftververzió) felirat. Nyomja meg a Hangerő/Hangolás-szabályozás/Kiválasztó gombot a rádióon telepített szoftver verziójának megjelenítéséhez.

### MicroUSB-port szoftverfrissítés céljára

A rádióhoz a jövőben elérhetővé válhat szoftverfrissítés. A szoftverfrissítés megjelenésekor a szoftver és a frissítésre vonatkozó információk a [Makita weboldalon](#) lesznek elérhetőek.

## KARBANTARTÁS

### ⚠ VIGYÁZAT:

**Soha ne használjon gázolajt, benzint, hígítót, alkoholt vagy hasonló anyagokat. Ezek elszíneződést, alakvesztést vagy repedést okozhatnak.**

# MŰSZAKI ADATOK

Elektromos tápellátás követelményei	
Váltóáramú tápegység	12 V egyenáram, 1,2 A, pozitív pólus a központi tűn
Akkumulátor	Dugaszolandó akkumulátor: 7,2 V - 10,8 V Becsúztatandó akkumulátor: 10,8 V - 18 V
Frekvenciatartomány	FM 87,50 - 108 MHz DAB/DAB+ 174,928-239,200 MHz
DAB/DAB+ Csatornacsoport	DAB (III. hullámsáv) 5A-13F
Vonatkozó szabvány	DAB/DAB+

Bluetooth®	
(A Bluetooth® szövédjegy és emblémák a Bluetooth SIG, Inc. tulajdonában lévő bejegyzett védjegyek.)	
Bluetooth verzió	4,0
Bluetooth profilok	A2DP/SCMS-T
Átviteli teljesítmény	Power Class2
Átviteli tartomány	Optimális: Max.10 méter Lehetséges: Max. 30 méter (függ a használati feltételektől)
Támogatott codec	SBC,AAC
Kompatibilis Bluetooth	A2DP
Maximális rádiófrekvenciás teljesítmény:	BT EDR: 3,12dBm BT LE: 2,31dBm
Működési frekvencia	2402MHz~2480MHz

Áramköri tulajdonságok	
Hangszóró	3,5 hüvelyk, 32 ohm x 2
Kimenő teljesítmény	7,2 V: 0,6 W X 2 12Vmax: 1,7 W X 2 14,4 V: 3 W X 2 18 V: 4,9 W X 2
Bemeneti csatlakozó	3,5 mm átm. (AUX IN1/AUX IN2)
Antenna rendszer	DAB/FM: lágy, hajlított rúdantenna
Méretek (H x Sz x M)	282 x 163 x 294 mm
Tömeg	4,3KG (akkumulátor nélkül)

## SLOVENČINA (Pôvodné pokyny)

### VYSVETLENIE HLAVNÉHO NÁHLADU (Obr. 1~5)

1. Mäkká ohybná tyčová anténa
2. Zablokovanie priehradky akumulátora
3. Rukoväť
4. Kryt priehradky (obsahujúcej akumulátor)
5. Zásuvka DC IN
6. Reproduktor
7. Spínač
8. Tlačidlo Pásmo (Band)
9. Tlačidlo Pokročilé funkcie (Advanced)
10. Tlačidlo Informácie (Info)
11. Preset 2-5
12. Automatické ladenie
13. Otočný ovládač na nastavenie hlasitosti/  
ovládanie ladenia/voľbu
14. USB port na nabíjanie
15. AUX IN 1
16. Preset 1/Tlačidlo Bluetooth spárovania
17. LCD displej
18. Vstupný kontakt (AUX IN 2)
19. Priehradka na akumulátor
20. Micro USB port pre upgrade software
21. Blok akumulátora

### SYMBOLY

Nasledujúci text zobrazuje symboly použité na zariadení.  
Uistite sa, že im pred použitím rozumiete.



Prečítajte si návod na použitie.



Len pre krajiny EÚ

Nevyhadzujte elektrické zariadenia ani batérie spolu s domovým odpadom!  
Dodržiavanie Európskych smerníc o  
Odpade z elektrických a elektronických  
zariadení a batérií a akumulátorov a  
Odpadových batérií a akumulátorov a  
ich implementácia v súlade s národnými  
zákonmi, elektrické zariadenia a batérie  
a batériové články, ktoré dosiahli koniec  
životnosti sa musia zbierať oddelene  
a vrátiť do životnému prostrediu  
kompatibilného recyklačného zariadenia.

## DÔLEŽITÉ BEZPEČNOSTNÉ UPOZORNENIA

### ⚠ UPOZORNENIE:

Pri použití elektrických prístrojov je vždy dôležité dodržiavať bezpečnostné opatrenia- aby sa predišlo riziku vzniku ohňa, elektrickému šoku a osobným zraneniam- vrátane nasledujúcich:

1. Pred použitím si pozorne prečítajte tento návod na použitie a tiež návod na použitie pre nabíjačku.
2. Čistite len suchou handrou.
3. Neumiestňujte v blízkosti zdrojov tepla ako sú radiátory, tepelné registre, pece, a ďalších prístrojov (vrátane zosilňovačov), ktoré produkujú teplo.
4. Používajte len pripojky/príslušenstvo špecifikované výrobcom.
5. Vytiahnite zo zdroja počas búrok alebo ak zariadenie nevyužívate dlhšiu dobu.
6. Akumulátorom napájané rádio s integrovaným akumulátorom, alebo so samostatným akumulátorom sa smie nabíjať len vyšpecifikovanou nabíjačkou akumulátora. Nabíjačka vhodná pre jeden typ akumulátora môže pri inom type akumulátora spôsobiť riziko vzniku požiaru.
7. Rádio napájané akumulátorom používajte iba so špecifickým typom akumulátora. Použitie iného typu akumulátora môže spôsobiť riziko vzniku požiaru.
8. Ak akumulátor nepoužívate, držte ho mimo dosahu kovových predmetov ako sú: kancelárske sponky, mince, kľúče, klince, skrutky alebo ďalšie drobné kovové predmety, ktoré môžu nadviazať prepojenie z jedného pólu na druhý. Skratovaním kontaktov akumulátora môže dôjsť k iskreniu, popáleninám alebo požiaru.
9. Vyhnite sa kontaktu tela s uzemnenými povrchmi, ako sú potrubia, radiátory, sporáky a chladničky. Existuje zvýšené riziko úrazu elektrickým prúdom, ak vaše telo je uzemnené.
10. V nevhodných podmienkach môže kvapalina z akumulátora uniknúť; vyhnite sa kontaktu. Ak náhodou dôjde ku kontaktu, opláchnite vodou. Pri zasiahnutí očí, vyhľadajte lekársku pomoc. Unikajúca kvapalina z batérie môže spôsobiť podráždenie pokožky alebo popáleniny.
11. Nepoužívajte batériové články alebo nástroje, ktorý sú poškodené alebo upravené. Poškodené alebo upravené batérie môžu mať nepredvídateľné správanie, ktoré môže viesť k požiaru, explózii alebo riziku poranenia.
12. Nevystavujte batériu alebo nástroj ohňu alebo nadmernej teplote. Vystavenie ohňu alebo teplote nad 130 °C môže viesť k výbuchu.
13. Riadte sa všetkými inštrukciami pre nabíjanie a nenabíjajte batériu alebo nástroj mimo rozsah teplôt

- špecifikovaných v návode. Nesprávne nabíjanie, alebo pri teplotách mimo špecifikovaný rozsah, môže viesť k poškodeniu batérie a zvýšiť riziko ohňa.
14. Siet'ová zástrčka sa používa ako odpájacie zariadenie a musí byť ľahko prístupná.
  15. Nepoužívajte produkt dlhší čas pri vysokej hlasitosti. Aby ste predišli poškodeniu sluchu, používajte produkt na strednej úrovni hlasitosti.
  16. (Len pre výrobky s LCD displejom) LCD displeje obsahujú tekutinu, ktorá môže spôsobiť podráždenie i otravu. Ak kvapalina prenikne do očí, úst alebo pokožky, vypláchnite ju vodou a zavolajte lekára.
  17. Nevystavujte výrobok dažďu ani mokrému prostrediu. Vniknutie vody do výrobku zvyšuje riziko úrazu elektrickým prúdom.
  18. Tento výrobok nie je určený na použitie osobami (vrátane detí) so zníženými fyzickými, zmyslovými alebo duševnými schopnosťami alebo nedostatkom skúseností a vedomostí, pokiaľ nie sú pod dohľadom alebo poučením o používaní výrobku osobou zodpovednou za ich bezpečnosť. Deti by mali byť pod dozorom, aby sa zamedzila ich hra s týmto výrobkom. Výrobok uchovávajte mimo dosahu detí.
7. Nespalujte zásobník batérie, ani keď je vážne poškodený alebo celkom opotrebovaný. Zásobník batérie môže v ohni vybuchnúť.
  8. Dávajte pozor, aby ste batériu neupustili ani s ňou neudierali.
  9. Nepoužívajte poškodenú batériu.
  10. Pre vyhnutie sa riziku pri použití si prečítajte najprv manuál na výmenu batérie. A maximálny výbijací prúd batérie by mal byť väčší alebo rovný 8A.
  11. Obsahované lítium-iónové batérie podliehajú požiadavkám právnych predpisov týkajúcich sa nebezpečného tovaru. Pre komerčnú prepravu, napr. tretími stranami, zasielateľmi, musí byť dodržané osobitné balenie a označenie. Pre prípravu odoslania položky musí byť konzultovaný expert na nebezpečný materiál. Dodržujte prosím aj možné podrobnejšie národné predpisy.  
Zalepte páskou alebo zakryte otvorené kontakty a zabaľte batériu tak, aby sa nemohla v balení pohybovať.
  12. Dodržujte miestne predpisy týkajúce sa likvidácie batérie.
  13. Používajte batérie iba s výrobkami špecifikovanými spoločnosťou Makita. Inštalácia batérií do nevyhovujúcich výrobkov môže viesť k vzniku požiaru, nadmernému teplu, výbuchu alebo úniku elektrolytu.

## UCHOVAJTETIETO POKYNY

### ŠPECIFICKÉ BEZPEČNOSTNÉ PRAVIDLÁ

#### PRE ZÁSObNÍK BAtÉRIE

1. Pred použitím zásobníka batérie si prečítajte všetky pokyny a varovné symboly na (1) nabíjačke, (2) batérii a (3) výrobku využívajúceho batériu.
2. Nikdy zásobník batérie nerozoberajte.
3. Ak sa prevádzková doba príliš skrátila, prerušte okamžite prevádzku. Môže to mať za následok riziko vzniku prehrievania, popálenia alebo dokonca výbuchu.
4. Ak sa elektrolyt dostane do očí, vypláchnite ich čistou vodou a ihneď vyhľadajte lekársku pomoc. Môže to viesť k strate zraku.
5. Neskratujte zásobník batérie:
  - 1) Nedotýkajte sa pólov žiadnym vodivým materiálom.
  - 2) Zásobník batérie neskladujte v nádobe s inými kovovými predmetmi, ako sú klince, mince, a pod.
  - 3) Nevystavujte zásobník batérie vode a dažďu. Skrat batérie môže spôsobiť veľký prietok prúdu, prehrievanie, možné popálenie a poruchu.
6. Neskladujte prístroj a zásobník batérie na miestach, kde môže teplota dosiahnuť alebo prekročiť 50 ° C (122 ° F)

#### **⚠ POZOR:**

- **Nebezpečenstvo explózie ak je batéria vymenená nesprávne.**
- **Nahradte iba za rovnaký alebo ekvivalentný typ.**
- **Používajte len originálne batérie Makita. Použitie neoriginálnych batérií alebo batérií, ktoré boli upravené, môže mať za následok výbuch batérie spôsobujúci požiar, zranenie a poškodenie. Tiež to povedie k zrušeniu záruky na výrobok a nabíjačku Makita.**

#### Tipy pre zachovanie maximálnej životnosti batérie

1. Nabite zásobník batérie pred úplným vybitím. Vždy najprv zastavte prístroj a dobite zásobník batérie, keď si všimnete jeho znížený výkonu.
2. Nikdy nenabíjajte úplne nabitý zásobník batérie. Prebíjanie skracuje životnosť batérie.
3. Nabíjajte zásobník batérie pri izbovej teplote 10°C - 40°C (50°F - 104°F). Nechajte horúci zásobník batérie vychladnúť pred nabíjaním.
4. Nabite zásobník batérie, ak ho neplánujete používať dlhšiu dobu (viac ako šesť mesiacov).

# DOBA PREVÁDZKY

\* Nasledujúca tabuľka ukazuje dobu prevádzky na jedno nabitie.

Kapacita akumulátora	Napätie bloku akumulátora					AT VÝSTUP REPRODUKTORA = 100mW Jednotka: Hodina (približne)	
	7,2 V	10,8 V	10,8 V – 12Vmax	14,4 V	18 V	V režime rádio alebo v režime externého zariadenia (AUX)	V režime rádio s nabíjaním cez USB (1,0 A)
1,0 Ah	BL7010					5,0	0,7
1,3 Ah		BL1013				7,0	0,9
				BL1415		5,5	1,7
					BL1815	6,0	1,9
1,5 Ah	BL0715					7,5	1,0
			BL1015 BL1016			8,5	1,7
				BL1415N		7,0	2,0
					BL1815N	7,5	2,0
2,0 Ah			BL1020B BL1021B			11	2,0
					BL1820 BL1820B	10	3,0
3,0 Ah				BL1430 BL1430B		12	3,5
					BL1830 BL1830B	14	4,0
4,0 Ah			BL1040B BL1041B			21	4,0
				BL1440		19	5,5
					BL1840 BL1840B	20	6,0
5,0 Ah				BL1450		23	6,5
					BL1850 BL1850B	26	8,0
6,0 Ah				BL1460B		25	7,5
					BL1860B	31	9,5

 : Klastrový akumulátor     : Zásuvný akumulátor

## **⚠ UPOZORNENIE:**

**Používajte len kazety s batériami uvedené vyššie. Používanie akýchkoľvek iných kaziet s batériami môže spôsobiť zranenie a/alebo požiar.**

### **Poznámka:**

Tabuľka týkajúca sa vyššie uvedenej doby prevádzky akumulátora je referenčná. Skutočná doba prevádzky sa môže líšiť v závislosti od typu batérie, stavu nabíjania alebo prostredia použitia.

# INŠTALÁCIA A NAPÁJANIE

## ⚠ VAROVANIE:

- Pri otvorení a zatvorení krytu priehradky na akumulátor si dávajte pozor na zranenie prstov.
- Po vložení alebo odobratí akumulátora z priehradky ju znovu zablokujte. V opačnom prípade môže akumulátor vypadnúť z rádia a poraniť Vás alebo druhých.
- Pred prenesením rádia vždy uzavrite a zablokujte priehradku na akumulátor.
- Pred odobratí alebo vložením akumulátora vždy rádio vypnite.
- Dbajte na to, aby Vám rádio nepadlo alebo ste doň nevrzali. Rozbitý povrch Vás môže zraniť. Poškodené rádio môže fungovať nepredvídateľne a spôsobiť požiar, výbuch alebo nebezpečenstvo poranenia.

## DÔLEŽITÉ:

- Znížený výkon, pokrivený či prerušovaný zvuk alebo objavenie nápisu "POWERFAIL" na displeji znamená nutnosť výmeny akumulátora.
- Akumulátor nemôže byť nabíjaný pomocou dodaného sieťového adaptéra.
- Akumulátor nie je súčasťou štandardného balenia.

## Inštalácia alebo vybratie bloku zásuvného akumulátora (Obr. 2 a 3)

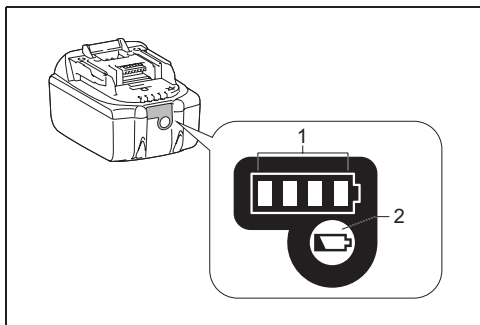
1. Akumulátor vložíte tak, že jazyk na bloku akumulátora nasmerujete na ryhu v kryte a zasuniete ho na miesto. Vždy zatlačte úplne, kým kliknutím nezapadne v správnej polohe.
2. Ak vidíte červený indikátor na hornej strane tlačidla, nie je správne zapadnutý. Nainštalujte ho teda úplne tak, aby tento červený indikátor nebolo vidieť. V opačnom prípade môže náhodne vypadnúť z rádia a ublížiť vám alebo osobám v okolí.
3. Blok akumulátora nevkładajte nasilu. Ak sa blok akumulátora nedá zasunúť ľahko, nevkładáte ho správne.
4. K odstráneniu bloku akumulátora ho vysuňte z rádia za súčasného vysúvania tlačidla na jeho prednej strane.

## Inštalácia alebo vybratie bloku klastrového akumulátora (Obr. 4 a 5)

1. Blok akumulátora vložíte tak, že jazýček na bloku akumulátora zarovnáte s drážkou na skrínke a zasuniete ho na požadované miesto.
2. Ak chcete blok akumulátora vybrať, vytiahnite ho zo zariadenia, pričom stláčajte tlačidlá na bočnej strane bloku.

## Indikácia zostávajúceho nabitia akumulátora

\* *Len akumulátory s označením „B“ na konci čísla modelu.*



### ➤ 1. Kontrolky 2. Tlačidlo kontroly

Ak chcete zobraziť zostávajúce nabitie akumulátora, stlačte tlačidlo Check (Kontrola) na akumulátore. Na niekoľko sekúnd sa rozsvietia svetelné indikátory.

#### • 14,4V/18V batérie

Kontrolky			Zostávajúca kapacita
Rozsvietené	Vypnuté	Blikajúce	
■	□	◐	75% ~ 100%
■	■	□	50% ~ 75%
■	□	□	25% ~ 50%
■	□	□	0% ~ 25%
◐	□	□	Nabíte batériu
■	■	□	Batéria pravdepodobne zlyhala
□	□	■	

#### • 10,8V-12V max batérie

Kontrolky			Zostávajúca kapacita
Rozsvietené	Vypnuté	Blikajúce	
■	□	◐	75% ~ 100%
■	■	□	50% ~ 75%
■	□	□	25% ~ 50%
■	□	□	0% ~ 25%

### POZNÁMKA:

V závislosti od podmienok použitia a okolitej teploty sa môže zobrazenie mierne líšiť od skutočnej kapacity.

## Používanie mäkkej ohybnej tyčovej antény (Obr. 1)

Mäkkú ohybnú tyčovú anténu zdvihnite podľa obrázku.

## Použitie dodaného sieťového adaptéra.

Odstraňte gumovú ochranu a vložte zástrčku adaptéra do zásuvky na jednosmerné napätie na pravej strane rádia. Zastrčte adaptér do štandardnej sieťovej zásuvky. Keď je používaný adaptér, je akumulátorový blok automaticky odpojený.

### **VAROVANIE:**

- **Pred prenesením rádia vždy sieťový adaptér vypojte. V opačnom prípade môže prísť k elektrickému šoku.**
- **Nikdy neťahajte za kábel sieťového adaptéra. Rádio by mohli padnúť a spôsobiť zranenie Vám alebo druhým.**

### **DÔLEŽITÉ:**

- Adaptér je určený na zapojenie rádia do elektrickej siete. Počas používania rádia musí byť sieťová zásuvka prístupná.
- Pre vypojenie rádia vypojte adaptér zo zásuvky.
- Používajte napájací adaptér dodávaný spolu s výrobkom alebo špecifikovaný spoločnosťou Makita.
- Nedržte kábel napájania a zásuvku ústami. Mohlo by to spôsobiť zásah elektrickým prúdom.
- Nedotýkajte sa elektrickej zástrčky mokrými alebo masťnými rukami.
- Poškodené alebo zamotané káble zvyšujú nebezpečenstvo zásahu elektrickým prúdom. Ak je kábel poškodený, nechajte ho vymeniť našim autorizovaným servisným strediskom, aby sa predišlo bezpečnostnému riziku. Nepoužívajte ho pred opravou.
- Po použití vždy uložte sieťový adaptér mimo dosahu detí. Ak sa deti hrajú s káblom, môžu utrpieť zranenie.

## Nabíjanie pomocou USB portu na nabíjanie

Na prednej strane rádia sa nachádza USB port. Zariadenie s rozhraním USB môžete nabíjať pomocou USB portu.

1. Zariadenie s rozhraním USB, napr. iPod, prehrávač MP3 alebo prehrávač diskov CD pripojte pomocou USB kábla dostupného na trhu.
2. Stlačením hlavného vypínača svoje rádio zapnete.
3. Bez ohľadu na to, či je rádio napájané striedavým prúdom alebo batériami, rádio môže nabíjať zariadenie s rozhraním USB, ak je rádio zapnuté, a je v režime FM/DA rádia, režime rozhrania Bluetooth (BT) alebo v režime externého zariadenia (AUX), ktoré sa zobrazí po pripojení externého zdroja zvuku.

### **Poznámka:**

- Počas nabíjania pomocou rozhrania USB sa maximálna hlasitosť na výstupe reproduktora zníži.
- Zásuvka dokáže zabezpečiť elektrický prúd maximálnej

hodnoty 1 A, 5 V.

### **Dôležité:**

- Pred pripojením zariadenia s rozhraním USB do USB portu vždy vykonajte zálohovanie svojich údajov uložených v zariadení s rozhraním USB. V opačnom prípade môže dôjsť ku strate údajov.
- Radio nedokáže napájať niektoré zariadenia s rozhraním USB.
- Počas nepoužívania alebo po nabití odpojte USB kábel a zatvorte kryt.
- K USB portu nepripájajte zdroj napájania. V opačnom prípade môže dôjsť k riziku požiaru. USB port je určený len na nabíjanie nízkonapäťového zariadenia. Ak nebudete nízkonapäťové zariadenie nabíjať, vždy na USB port nasadte kryt.
- Do napájacieho USB portu nezasúvajte klinec, drôt a pod. V opačnom prípade môže dôjsť ku skratovaniu obvodu s následným dymením a vznikom požiaru.
- Túto USB zásuvku nepripájajte k USB portu na počítači, pretože je veľmi pravdepodobné, že dôjde k poškodeniu jednotiek.

## POČÚVANIE RÁDIA

Toto rádio využíva tri metódy ladenia – ladenie s vyhľadávaním, manuálne ladenie a vyvolanie predvolieb z pamäte.

### **Voľba stanice – DAB**

1. Stlačením hlavného vypínača rádio zapnite.
2. Stlačením tlačidla na voľbu pásma Band vyberte režim DAB.
3. Stlačte tlačidlo pokročilých nastavení Advanced a otáčajte otočným ovládačom na nastavenie hlasitosti/ovládanie ladenia/voľbu, až kým na obrazovke nebude blikať „Station List“ (Zoznam staníc). Stlačením otočného ovládača na nastavenie hlasitosti/ovládanie ladenia/voľbu vstúpite do zoznamu staníc.
4. Otáčaním otočného ovládača na nastavenie hlasitosti/ovládanie ladenia/voľbu rolujte v zozname dostupných staníc. Stlačením otočného ovládača stanicu zvolíte.
5. Otáčaním otočného ovládača na nastavenie hlasitosti/ovládanie ladenia/voľbu upravte hlasitosť na požadovanú hodnotu.

### **Režim zobrazenia – DAB**

Vaše rádio ponúka pre režim DAB rôzne možnosti zobrazenia:

Stlačením tlačidla na zobrazenie informácií Info môžete cyklicky prepínať medzi rôznymi možnosťami zobrazovanými podľa nasledujúcich písmen (a až g).

- a. Station name                      Označuje názov počúvanej stanice.



b. Program type (Typ programu)	Označuje typ počúvanej stanice. Napr. Pop, Classics (Klasika), News (Správy) atď.	2. Otáčajte otočným ovládačom na nastavenie hlasitosti/ ovládanie ladenia/volbu, až kým sa na displeji nezobrazia „Station order“ (Poradie staníc); potom stlačte otočný ovládač na nastavenie hlasitosti/ ovládanie ladenia/volbu, čím vstúpite do nastavenia.	
c. Multiplex name (Názov multiplexu)	Označuje názov multiplexu DAB, do ktorého aktuálna stanica patrí.	3. Otáčajte otočným ovládačom na nastavenie hlasitosti/ ovládanie ladenia/volbu, zvolte nasledujúce možnosti a stlačením otočného ovládača nastavenie potvrdíte.	
d. Time & date (Dátum a čas)	Označuje aktuálny dátum a čas.	Alphanumeric (Abecedné)	Slúži na abecedné usporiadanie staníc 0...9 A...Z.
e. Frequency and channel (Frekvencia a kanál)	Označuje frekvenciu a číslo kanála pre aktuálne naladenú stanicu DAB.	Ensemble (Súborné)	Usporiada zoznam staníc podľa multiplexu DAB.
f. Bit rate/Audio type (Prenosová rýchlosť/ typ zvuku)	Označuje prenosovú rýchlosť digitálneho zvuku a typ zvuku pre aktuálne naladenú stanicu DAB.	Valid (Platné)	Zobrazí len stanice, ktorých signál sa dá vyhľadať.
g. Signal strength (Sila signálu)	Označuje silu signálu pre aktuálne naladenú stanicu DAB.		

## Vyhľadanie nových staníc – DAB

Občas môže dôjsť k dostupnosti nových staníc DAB. Alebo môže dôjsť k vášmu presťahovaniu do inej časti krajiny. V takom prípade musíte svoje rádio aktivovať, aby vyhľadalo nové stanice.

Aby ste rádiu umožnili vyhľadať nové stanice, odporúčame vykonať úplné vyhľadanie v rámci všetkých frekvencií pásma III DAB.

1. Stlačte tlačidlo automatického ladenia Auto.
2. Rádio vykoná úplné vyhľadanie frekvencií DAB. Po nájdení nových staníc sa hodnota počítadla na ľavej strane zvýši a stanice sa pridajú do zoznamu.

## Manuálne ladenie – DAB

Manuálne ladenie vám umožňuje naladiť rádio na určitú frekvenciu DAB v pásme III. Táto funkcia sa dá použiť s cieľom pomôcť nastaviť polohu antény alebo rádia a optimalizovať príjem pre špecifický kanál alebo frekvenciu.

1. Stlačte tlačidlo pokročilých nastavení Advanced a otáčajte otočným ovládačom na nastavenie hlasitosti/ ovládanie ladenia/volbu, až kým sa na obrazovke nezobrazia „Manual Tune“ (Manuálne ladenie). Stlačením otočného ovládača na nastavenie hlasitosti/ ovládanie ladenia/volbu vstúpite do režimu manuálneho ladenia.
2. Otáčaním otočného ovládača na nastavenie hlasitosti/ ovládanie ladenia/volbu zvolte požadovaný kanál DAB. Stlačením otočného ovládača na nastavenie hlasitosti/ ovládanie ladenia/volbu potvrdte zvolenú frekvenciu.

## Nastavenia poradia staníc – DAB

Vaše rádio obsahuje 3 nastavenia poradia staníc, z ktorých si môžete vybrať. Nastavenia poradia staníc sú abecedné, súborné a platné stanice.

1. Stlačte tlačidlo pokročilých nastavení Advanced.

## Ovládanie dynamického rozsahu (DRC) – DAB

Funkcia DRC umožňuje ľahšie počúvanie tichších zvukov, ak sa rádio používa v hlučnom prostredí, a to po znížení dynamického rozsahu zvukového signálu. Dostupné sú tri stupne kompresie:

DRC 0	Neaplikuje sa žiadna kompresia.
DRC 1/2	Aplikuje sa stredná kompresia.
DRC 1	Aplikuje sa maximálna kompresia.

1. Stlačením hlavného vypínača rádio zapnete.
2. Stlačte tlačidlo na voľbu pásma Band a zvolte pásmo DAB.
3. Stlačte tlačidlo pokročilých nastavení Advanced a otáčajte otočným ovládačom na nastavenie hlasitosti/ ovládanie ladenia/volbu, až kým sa na obrazovke nezobrazia „DRC Value“ (Hodnota DRC). Potom stlačením otočného ovládača na nastavenie hlasitosti/ ovládanie ladenia/volbu vstúpite do nastavenia. Na displeji sa zobrazí aktuálna hodnota DRC.
4. Otáčaním otočného ovládača na nastavenie hlasitosti/ ovládanie ladenia/volbu zvolte požadované nastavenie DRC.
5. Stlačením otočného ovládača na nastavenie hlasitosti/ ovládanie ladenia/volbu potvrdte nastavenie.

## Ladenie s vyhľadávaním – FM

1. Stlačením hlavného vypínača rádio zapnete.
2. Stlačením tlačidla na voľbu pásma Band vyberte požadované vlnové pásmo. Na dosiahnutie najlepšieho príjmu FM vysielania správne nainštalujte mäkkú ohybnú tyčovú anténu. Zabráňte používaniu rádia v blízkosti počítačovej obrazovky a iných zariadení, ktoré by mohli spôsobiť rušenie rádia.
3. Po stlačení tlačidla automatického ladenia Auto začne rádio vyhľadávať stanice a po nájdení rozhlasovej stanice sa vyhľadanie automaticky zastaví. Rádio bude pokračovať vo vyhľadávaní ďalšej dostupnej stanice, ak obsluha nestlačí tlačidlo automatického ladenia Auto, čím vyhľadanie zastaví.
4. Otáčaním otočného ovládača na nastavenie hlasitosti/

ovládanie ladenia/volbu zvolte požadovanú úroveň nastavenia hlasitosti. Na LCD displeji sa bude zobrazovať zmena hlasitosti.

5. Rádio vypnete stlačením hlavného vypínača.

## Zóna vyhľadávania FM

Pri používaní režimu FM možno rádio nastaviť na vyhľadanie miestnych staníc alebo na vyhľadanie všetkých staníc, vrátane tých vzdialených.

1. Stlačením hlavného vypínača rádio zapnete.
2. Stlačte tlačidlo Pásmo Band pre výber FM pásma.
3. Stlačte tlačidlo pre pokročilé funkcie Advanced a potočte s otočným ovládačom pokým sa "FM Scan Zone" neobjaví na displeji. Stlačte otočný ovládač pre výber nastavenia.
4. Potočte s otočným ovládačom pre výber medzi "Local" (len stanice so silným signálom) alebo "Distant" (všetky stanice) možnosťami v dolnom riadku displeja. Možnosť Distant umožní rádiu vyhľadať stanice so slabším signálom.
5. Stlačte otočný ovládač pre potvrdenie výberu. Voľba bude uložená v rádiu až kým ju nezmeníte alebo nepríde k System Reset.

## Manuálne ladenie – FM

1. Stlačením hlavného vypínača rádio zapnete.
2. Stlačte tlačidlo na voľbu pásma Band a zvolte požadované vlnové pásmo. Podľa hore uvedeného opisu nastavte anténu.
3. Ak otočíte otočný ovládač na nastavenie hlasitosti/ovládanie ladenia/volbu, frekvencia sa zmení o nasledujúci prírastok: FM: 50 kHz

### Poznámka:

Ak chcete otočný ovládač na nastavenie hlasitosti/ovládanie ladenia/volbu používať na nájdenie požadovanej stanice, stlačením otočného ovládača na nastavenie hlasitosti/ovládanie ladenia/volbu prepnete na režim ovládania ladenia.

4. Otáčajte otočným ovládačom na nastavenie hlasitosti/ovládanie ladenia/volbu, až kým sa na displeji nezobrazí požadovaná frekvencia.
5. Otáčaním otočného ovládača na nastavenie hlasitosti/ovládanie ladenia/volbu zvolte požadovanú úroveň nastavenia hlasitosti.
6. Rádio vypnete stlačením hlavného vypínača.

## Režim zobrazenia – FM (RDS)

Vaše rádio ponúka pre režim FM rádia rôzne možnosti zobrazenia:

Opakovane stlačte tlačidlo Informácie pre zobrazenia informácií RDS(Radio Data System) o stanici, ktorú počúvate.

- |                    |                          |
|--------------------|--------------------------|
| a. Program station | Označuje názov počúvanej |
| (Stanica programu) | stanice.                 |

- |                                   |   |
|-----------------------------------|---|
| b. Frequency<br>(Frekvencia)      | Označuje frekvenciu signálu FM.   |
| c. Radio text<br>(Text rádia)     | Označuje textové správy, napr. nové položky a pod.                                    |
| d. Program type<br>(Typ programu) | Označuje typ počúvanej stanice, napríklad Pop, Classic (Klasika), News (Správy), atď. |
| e. Time & date<br>(Dátum a čas)   | Označuje aktuálny dátum a čas.  |

## Uloženie staníc v pamätiach predvolených staníc (DAB a FM)

Pre každé vlnové pásmo máte k dispozícii 5 pamätí predvolieb.

1. Stlačením hlavného vypínača rádio zapnete.
2. Jednou z hore opísaných metód nalaďte požadovanú stanicu.
3. Stlačte a podržte požadované tlačidlo predvolenej stanice, až kým sa na displeji nezobrazí číslo predvolenej stanice, napríklad „P2 Saved“ (Uložené v P2). Stanica sa uloží v rámci zvoleného tlačidla predvolenej stanice.
4. Tento postup zopakujte pre zostávajúce predvoľby.
5. Stanice uložené v rámci pamätí predvolieb môžete prepísať pomocou hore uvedených postupov.

## Vyvolanie staníc z pamätí predvolených staníc (DAB a FM)

1. Stlačením hlavného vypínača rádio zapnete.
2. Stlačte tlačidlo na voľbu pásma Band a zvolte požadované vlnové pásmo.
3. Na chvíľu stlačte tlačidlo predvolenej stanice. Na displeji sa zobrazí číslo a frekvencia predvolenej stanice.

## POČÚVANIE HUDBY CEZ BLUETOOTH STREAMING

K automatickému pripojeniu pre prehrávanie/streamovanie hudby Bluetooth cez rádio najprv potrebujete spárovať zariadenie s rádiom. Párovanie vytvorí "väzbu", na základe ktorej sa dve zariadenia budú poznať.

### Poznámka:

Pre lepšiu kvalitu zvuku odporúčame nastaviť hlasitosť na Vašom Bluetooth zariadení na viac ako 2/3 a následne prispôsobiť hlasitosť na rádiu podľa potreby.

## Prvotné spárovanie Bluetooth zariadenia

1. Stlačte spínač na zapnutie rádia. Stlačte tlačidlo pásma Band a zvolte mód Bluetooth. Indikátor Bluetooth na tlačidlách bude blikať na modro. To značí, že rádio je vyhľadateľné.
2. Aktivujte Bluetooth na Vašom zariadení. Vyhľadajte "DMR112" medzi dostupnými Bluetooth zariadeniami

a pripojte sa. Niektoré typy mobilných telefónov (so staršími zariadeniami Bluetooth ako je BT 2.1) vyžadujú ešte zadanie kódu "0000" .

- Po pripojení zaznie zvuk pre potvrdenie a indikátor Bluetooth bude svietiť jasne modro. Na Vašom zariadení si môžete zvoliť a prehrať hudbu. Hlasitosť môžete nastaviť na Vašom zariadení aj na rádiu.
- Pomocou Vášho Bluetooth zariadenia môžete spustiť/zastaviť hudbu a prechádzať jednotlivé nahrávky.

#### **POZNÁMKA:**

- Pokiaľ sa dve Bluetooth zariadenia spárujú v rovnakom čase, zobrazí sa rádio na oboch zariadeniach. Pokiaľ sa však jedno zo zariadení pripojí k rádiu ako prvé, druhé ho už na zozname nevidí.
- Pokiaľ bude Vaše Bluetooth zariadenie dočasne odpojené od rádia, budete ho musieť znova manuálne prepojiť.
- Ak je v zozname Vášho Bluetooth zariadenia "DMR112", no nemôžete sa naň napojiť, vymažte túto položku zo zoznamu a vykonajte spárovanie znova podľa vyššie uvedeného postupu.
- Optimálna vzdialenosť zariadenia od rádia je 10 metrov (čiara priamej viditeľnosti) ale možná je i vzdialenosť do 30 metrov.
- Ak príde k strate Bluetooth prepojenia, kvôli dlhému času bez pripojenia, prílišnej vzdialenosti zariadení, pôsobením vplyvu prekážok alebo iných vplyvov, budete musieť zariadenie znova pripojiť k rádiu.
- Fyzické prekážky alebo iné bezdrôtové a elektromagnetické zariadenia môžu ovplyvniť kvalitu pripojenia.
- Kvalita pripojenia sa môže líšiť vzhľadom na parametre pripojeného Bluetooth zariadenia. Pred pripojením na rádio sa oboznámte s Bluetooth vlastnosťami Vášho zariadenia. Niektoré Bluetooth zariadenia nemusia podporovať všetky funkcie.

### **Prehrávanie hudobných súborov v Bluetooth móde**

Po úspešnom prepojení rádia s Bluetooth zariadením môžete začať s prehrávaním hudby pomocou Vášho Bluetooth zariadenia.

- Po spustení prehrávania upravte hlasitosť pomocou tlačidla hlasitosti na rádiu alebo Bluetooth zariadení.
- Použite Bluetooth zariadenie pre spustenie/zastavenie hudby a prechádzanie jednotlivými nahrávkami.

#### **Poznámka:**

- Všetky ovládacie funkcie nemusia fungovať na všetkých zariadeniach.
- Niektoré mobilné telefóny sa môžu dočasne odpojiť od rádia počas telefonických hovorov. Niektoré zariadenia môžu dočasne stlmiť prehrávanie cez Bluetooth v prípade prijatia SMS správy, emailov alebo iných príčin nesúvisiacich s prehrávaním hudby. Toto závisí od

pripojeného zariadenia a nie je znakom poruchy rádia.

### **Prehrávanie z už spárovaného zariadenia Bluetooth**

Rádio si dokáže zapamätať až 8 spárovaných zariadení. Ak je zariadení viac, najstarší záznam bude vymazaný a nahradený. Ak bolo Vaše Bluetooth zariadenie v minulosti s rádiom prepojené, rádio si ho zapamätá, a automaticky sa bude snažiť znova pripojiť na posledné zariadenie, s ktorým bolo prepojené. Ak toto zariadenie nie je dostupné, rádio bude vyhľadateľné aj pre iné zariadenia.

### **Odpojenie Bluetooth zariadenia**

Stlačte a pridržte tlačidlo spárovania Bluetooth po dobu 2-3 sekúnd pre odpojenie Bluetooth zariadenia. Bluetooth indikátor na preset tlačidlách bude blikať na modro, čo značí, že rádio je vyhľadateľné pre ďalšie spárovanie.

## **AUX KONEKTORY**

Rádio je vybavené dvoma 3.5 mm stereo AUX konektormi. Jeden je na prednej strane rádia (AUX IN 1), druhý v priehradke na akumulátor(AUX IN 2).

- Pripojte externý zdroj hudby k AUX konektoru pomocou audio kábla. (na príklad iPod, MP3 alebo CD prehrávač).
- Opakovane stlačte a pustite tlačidlo pásma Band pokým sa nezobrazí "AUX IN 1" alebo "AUX IN 2"- funkcia AUX je aktivovaná.
- Pre lepšiu kvalitu zvuku odporúčame nastaviť hlasitosť na Vašom Bluetooth zariadení na viac ako 2/3 a následne prispôsobiť hlasitosť na rádiu podľa potreby

#### **Poznámka:**

Audio kábel nie je súčasťou balenia.

## **RÔZNE NASTAVENIA**

### **Možnosti voľby jazyka**

Rádio ponúka osem možností na voľbu jazyka: angličtina, nemčina, taliančina, francúzština, holandsčina, dánčina, nórčina a španielčina.

- Stlačte tlačidlo pokročilých nastavení Advanced.
- Otáčajte otočným ovládačom na nastavenie hlasitosti/ ovládanie ladenia/voľbu, až kým sa na displeji nezobrazí „Language“ (Jazyk). Stlačením otočného ovládača na nastavenie hlasitosti/ovládanie ladenia/ voľbu vstúpte do nastavenia.
- Otáčaním otočného ovládača na nastavenie hlasitosti/ ovládanie ladenia/voľbu zvolte požadovaný jazyk. Stlačením otočného ovládača na nastavenie hlasitosti/ ovládanie ladenia/voľbu potvrdíte svoje nastavenie.

### **Ovládanie svetla**

Svetlo (Light) tlačidiel si môžete prispôsobiť.

1. Stlačte tlačidlo pokročilých nastavení Advanced.
2. Potočte s otočným ovládačom pokiaľ sa na displeji nezobrazí "Button Light". Pre voľbu nastavenia stlačte otočný ovládač.
3. Potočte s otočným ovládačom pre výber "On" alebo "Off" na zapnutie alebo vypnutie svetla tlačidiel, následne stlačte otočný ovládač pre potvrdenie voľby.

## Resetovanie systému

Ak vaše rádio prestane správne fungovať alebo niektoré čísllice na displeji chýbajú alebo sú neúplné, vykonajte nasledujúci postup.

1. Stlačte tlačidlo pokročilých nastavení Advanced.
2. Otáčajte otočným ovládačom na nastavenie hlasitosti/ ovládanie ladenia/voľbu, až kým sa na displeji nezobrazí „Factory Reset“ (Obnovenie výrobných nastavení). Stlačením otočného ovládača na nastavenie hlasitosti/ovládanie ladenia/voľbu vstúpte do nastavenia.
3. Otáčaním otočného ovládača na nastavenie hlasitosti/ ovládanie ladenia/voľbu zvolte „Yes“ (Áno). Stlačením otočného ovládača na nastavenie hlasitosti/ovládanie ladenia/voľbu potvrdíte nastavenie; vykoná sa celkové resetovanie.

## Verzia softvéru

1. Stlačte tlačidlo pokročilých nastavení Advanced.
2. Otáčajte otočným ovládačom na nastavenie hlasitosti/ ovládanie ladenia/voľbu, až kým sa na displeji nezobrazí „SW Version“ (Verzia softvéru). Stlačením otočného ovládača na nastavenie hlasitosti/ovládanie ladenia/voľbu zobrazíte verziu softvéru, ktorý je v rádiu nainštalovaný.

## Port micro USB na inováciu softvéru

V budúcnosti možno bude potrebné vykonať aktualizácie softvéru vášho rádia.

Po sprístupnení aktualizácií softvéru budú softvér a informácie o spôsobe aktualizácie vášho rádia dostupné na [webovej lokalite spoločnosti Makita](#).

## ÚDRŽBA

### ⚠ UPOZORNENIE:

**Nepoužívajte benzín, riedidlo, alkohol ani nič podobné. Mohlo by to spôsobiť zmenu farby, deformácie alebo praskliny.**

## TECHNICKÉ ŠPECIFIKÁCIE

Požiadavky na napájanie	
Adaptér striedavého prúdu	DC 12 V 1,2A, kladný stredný kolík
Akumulátor	Klastrový akumulátor: 7,2 V - 10,8 V Zásuvný akumulátor: 10,8 V - 18 V
Frekvenčný rozsah	FM 87,50 - 108 MHz DAB/DAB+ 174,928-239,200 MHz
DAB/DAB+ Blok kanálov	DAB (Pásmo III) 5A-13F
Kompatibilná norma	DAB/DAB+

Bluetooth®	
(Názov Bluetooth®, označenie a logá sú registrované ochranné známky spoločnosti Bluetooth SIG, Inc.)	
Verzia rozhrania Bluetooth	4,0
Profily rozhrania Bluetooth	A2DP/SCMS-T
Prenosový výkon	Power Class2
Prenosový dosah	Optimálny: Max.10 metrov Možný: Max. 30 metrov (závisí od podmienok používania)
Podporovaný kodek	SBC,AAC
Kompatibilný profil rozhrania Bluetooth	A2DP
Maximálna sila rádiových frekvencií:	BT EDR: 3,12dBm BT LE: 2,31dBm
Operačná frekvencia	2402MHz~2480MHz

Charakteristiky obvodu	
Reproduktor	3,5-palcový 32 ohmov x 2
Výstupný výkon	7,2 V: 0.6 W X 2 12Vmax: 1,7 W X 2 14,4 V: 3 W X 2 18 V: 4.9 W X 2
Koncovka vstupu	3,5 mm priemer (AUX IN1/AUX IN2)
Systém antény	DAB/FM: mäkká ohybná tyčová anténa
Rozmery (D x Š x V)	282 x 163 x 294 mm
Hmotnosť	4,3KG (bez akumulátora)

## ROMÂNĂ (Instrucțiuni originale)

### EXPLICAȚII ALE VEDERII GENERALE (Fig. 1~5)

1. Antenă flexibilă
2. Compartiment pentru baterie
3. Mâner
4. Capacul compartimentului bateriei  
(care acoperă cartușul acumulatorului)
5. Mufă de intrare curent continuu (DC)
6. Difuzor
7. Buton de alimentare
8. Buton pentru bandă
9. Buton de setare avansată
10. Buton Info
11. Presetări 2-5
12. Buton pentru auto-reglare
13. Buton pentru Volum/Control reglare/Selectare
14. Port USB de alimentare
15. Intrare auxiliară 1 (AUX IN 1)
16. Buton Presetare 1/Asociere Bluetooth
17. Afișaj LCD
18. Terminal de intrare (Intrare auxiliară 2)  
(AUX IN 2)
19. Compartiment pentru baterie
20. Port micro-USB pentru upgrade de software
21. Cartușul acumulatorului

### SIMBOLURI

Mai jos sunt prezentate simbolurile de pe echipament. Asigurați-vă că înțelegeți semnificația lor înainte de a utiliza.



Citiți manualul de utilizare.



Doar pentru țările UE

Nu aruncați echipamentul electric sau acumulatorul împreună cu deșeurile menajere!

În conformitate cu directivele europene, privind echipamentele electrice și electronice uzate, bateriile și acumulatorii și bateriile și acumulatorii uzați și implementarea acestora în conformitate cu legislația națională, echipamentele electrice și bateriile și acumulatorii care au atins durata de viață trebuie să fie colectate separat și returnate la un punct de reciclare compatibilă cu mediul.

## INSTRUCȚIUNI DE SIGURANȚĂ IMPORTANTE

### ⚠ ATENȚIE:

Când utilizați scule electrice, trebuie luate întotdeauna măsuri de siguranță elementare pentru a reduce riscul de incendiu, șoc electric, vătămare corporală, incluzând următoarele:

1. Citiți acest manual de utilizare și manualul de utilizare al încărcătorului cu atenție înainte de folosire.
2. Curățați numai cu o cârpă uscată.
3. Nu instalați lângă surse de căldură, cum ar fi radiatoare, aeroterme, sobe sau alte aparate (inclusiv amplificatoare) care produc căldură.
4. Folosiți doar dispozitive atașate/accesorii recomandate de producător.
5. Deconectați acest aparat în timpul furtunilor cu fulgere sau când nu este utilizat pentru perioade lungi de timp.
6. Un radio pe acumuloare, prevăzut cu acumuloare integrate sau cu cartuș de acumulator separat, poate fi încărcat doar cu încărcătorul specificat pentru acumulatorul respectiv. Un încărcător potrivit pentru un tip acumulator poate provoca risc de incendii dacă este folosit pentru un alt tip de acumulator.
7. Folosiți radioul pe acumuloare numai cu cartușele de acumuloare indicate în mod specific. Utilizarea oricăror alți acumuloare poate crea un risc de incendiu.
8. Atunci când acumulatorul nu este utilizat, păstrați-l departe de alte obiecte metalice, cum ar fi: agrafe de birou, monede, chei, cuie, șuruburi sau alte obiecte metalice mici, care pot face o conexiune între bornele lui. Scurtcircuitarea bornelor acumulatorului poate provoca scântei, arsuri sau incendiu.
9. Evitați contactul corpului cu suprafețe împănate ca țevi, radiatoare, cuptoare și frigider. Există un risc crescut de electrocutare în cazul în care corpul dvs. devine parte a sistemului de împănare.
10. În condiții abuzive, lichidul poate fi evacuat din acumulator; evitați contactul. Dacă se produce contactul în mod accidental, clătiți cu apă. Dacă lichidul intră în contact cu ochii, cereți, de asemenea, sfatul medicului. Lichidul evacuat din acumulator poate cauza iritații sau arsuri.
11. Nu utilizați un acumulator sau un instrument deteriorat sau modificat. Bateriile deteriorate sau modificate pot prezenta comportament imprevizibil care poate duce la incendiu, explozie sau risc de rănire.
12. Nu expuneți un acumulator sau dispozitiv la foc sau la temperaturi excesive. Expunerea la foc sau la temperaturi de peste 130 °C poate provoca explozie.
13. Urmați toate instrucțiunile de încărcare și nu încărcăți acumulatorul sau dispozitivul în afara domeniului de temperatură specificat în instrucțiuni. Încărcarea

necorespunzătoare sau la temperaturi în afara domeniului specificat poate conduce la deteriorarea bateriei și la creșterea riscului de incendiu.

14. Conectorul la rețea este utilizat ca dispozitiv de deconectare și trebuie să rămână ușor operabil.
15. Nu utilizați produsul la un volum mare pentru o perioadă lungă de timp. Pentru a evita deteriorarea auzului, utilizați produsul la un nivel de volum moderat.
16. (Doar pentru produsele cu afișaj LCD) Ecranele LCD includ lichide care pot provoca iritații și otrăviri. Dacă lichidul intră în ochi, gură sau piele, clătiți cu apă și sunați medicul.
17. Nu expuneți produsul la ploaie sau umezeală. Apa care intră în produs va crește riscul de electrocutare.
18. Acest produs nu este destinat utilizării de către persoane (inclusiv copii) cu capacități fizice, senzoriale sau mentale reduse sau lipsite de experiență și cunoștințe, cu excepția cazului în care au fost supravegheate sau instruite cu privire la utilizarea produsului de către o persoană responsabilă pentru siguranța lor. Copiii trebuie supravegheați pentru vă asigura că nu se joacă cu produsul. Nu depozitați produsul la îndemâna copiilor.

## SALVAȚI ACESTE INSTRUCȚIUNI

### REGULI DE SIGURANȚĂ SPECIFICE

#### PENTRU ACUMULATORUL CARTUȘ

1. Înainte de a utiliza acumulatorul cartuș, citiți toate instrucțiunile și atenționările de pe (1) încărcător, (2) acumulator și (3) produsul ce folosește acumulatorul.
2. Nu dezasamblați acumulatorul cartuș.
3. În cazul în care timpul de operare a devenit excesiv de scurt, opriți imedia folosirea. Aceasta poate conduce la risc de supraîncălzire, posibile arsuri și chiar explozie.
4. Dacă electrolitul intră în contact cu ochii, clătiți cu apă curată și consultați imediat medicul. Aceasta poate duce la pierderea vederii.
5. Nu scurtcircuitați acumulatorul cartuș:
  - (1) Nu atingeți bornele cu niciun material conductor.
  - (2) Evitați depozitarea acumulatorului cartuș într-un recipient cu alte obiecte metalice cum ar fi cuie, monede etc.
  - (3) Nu expuneți acumulatorul cartuș la apă sau ploaie. Un scurtcircuit al lui poate provoca o scurgere de curent, supraîncălzire, posibile arsuri și chiar defectarea.
6. Nu depozitați dispozitivul și acumulatorul cartuș în locuri în care temperatura poate atinge sau depăși 50 °C (122 °F)

7. Nu incinerati acumulatorul cartuș chiar dacă acesta este grav deteriorat sau complet uzat. Acumulatorul cartuș poate exploda în foc.
8. Aveți grijă să nu scăpați pe jos sau să loviți acumulatorul cartuș.
9. Nu utilizați un acumulator deteriorat.
10. Pentru a evita riscul, manualul despre înlocuirea bateriei trebuie citit înainte de utilizare. Curentul maxim de descărcare al bateriei trebuie să fie mai mare sau egal cu 8A.
11. Bateriile litiu-ion conținute sunt supuse cerințelor legislației privind mărfurile periculoase. Pentru transporturile comerciale, de ex. de către terți, agenți de expediere, trebuie respectate cerințele speciale privind ambalarea și etichetarea. Pentru pregătirea articolului expedit, este necesară consultarea unui expert pentru materiale periculoase. Respectați, de asemenea, reglementările naționale mai detaliate. Lipiți bandă adezivă sau izolați contactele și împachetați bateria astfel încât să nu se poată mișca în ambalaj.
12. Respectați reglementările locale privind eliminarea bateriilor.
13. Folosiți bateriile numai cu produsele specificate de Makita. Instalarea bateriilor la produse neconforme poate duce la incendiu, căldură excesivă, explozie sau scurgeri de electroliti.

#### ⚠️ ATENȚIE:

- **Pericol de explozie dacă bateria este înlocuită incorect.**
- **Înlocuiți numai cu același tip sau echivalent.**
- **Utilizați numai baterii originale Makita. Utilizarea bateriilor Makita neoriginale sau a bateriilor care au fost modificate poate duce la spargerea bateriilor, provocând incendii, vătămări corporale și pagube. De asemenea, va anula garanția Makita pentru dispozitivul și încărcătorul Makita.**

#### Sfaturi pentru a menține viață acumulatorului la maxim

1. Încărcați acumulatorul cartuș înainte de a fi descărcat complet. Opriți întotdeauna funcționarea dispozitivului și încărcați acumulatorul cartuș când observați o scădere a energiei uneltei.
2. Niciodată nu reîncărcați un acumulator cartuș complet încărcat. Supraîncărcarea scurtează durata de viață a acumulatorului.
3. Încărcați acumulatorul cartuș la temperatura camerei la 10 °C - 40 °C (50 °F - 104 °F). Lăsați o acumulatorul cartuș prea cald se răcească înainte de încărcarea lui.
4. Încărcați acumulatorul cartuș dacă nu îl utilizați pentru o perioadă lungă de timp (mai mult de șase luni).

# TIMPI DE FUNCȚIONARE

\* Următorul tabel indică timpul de funcționare pentru o singură încărcare.

Capacitate acumulator	Tensiune cartuș de acumulator					LA IEȘIREA DIFUZORULUI = 100mW (unitatea: oră) (aproximativ)	
	7,2 V	10,8 V	10,8 V – 12Vmax	14,4 V	18 V	La radio sau AUX	La radio cu încărcare prin USB (1,0A)
1,0 Ah	BL7010					5,0	0,7
1,3 Ah		BL1013				7,0	0,9
				BL1415		5,5	1,7
					BL1815	6,0	1,9
1,5 Ah	BL0715					7,5	1,0
			BL1015 BL1016			8,5	1,7
				BL1415N		7,0	2,0
					BL1815N	7,5	2,0
2,0 Ah			BL1020B BL1021B			11	2,0
					BL1820 BL1820B	10	3,0
3,0 Ah				BL1430 BL1430B		12	3,5
					BL1830 BL1830B	14	4,0
4,0 Ah			BL1040B BL1041B			21	4,0
				BL1440		19	5,5
					BL1840 BL1840B	20	6,0
5,0 Ah				BL1450		23	6,5
					BL1850 BL1850B	26	8,0
6,0 Ah				BL1460B		25	7,5
					BL1860B	31	9,5

□ : Set de acumuloare    ◻ : Acumulator cu introducere prin glisare

## ⚠ ATENȚIE:

**Folosiți doar acumulatori prezentați mai sus. Folosirea altor acumulatori poate cauza vătămări și/sau incendiu.**

### Notă:

Tabelul privind timpul de funcționare a bateriei este orientativ. Timpul de funcționare actual poate diferi în funcție de tipul bateriei, condițiile de încărcare sau mediul de folosire.

# INSTALAREA ȘI ALIMENTAREA CU ENERGIE

## ⚠️ ATENȚIE:

- Aveți grijă să nu vă prindeți degetele când deschideți și închideți capacul bateriei.
- Întoarceți compartimentul bateriei în poziția inițială, după instalarea sau scoaterea cartușului acumulatorului. În caz contrar, cartușul acumulatorului poate cădea accidental afară din radio, cauzând vătămarea dvs. sau a persoanei de lângă dvs.
- Întotdeauna închideți și blocați compartimentul bateriei înainte de a muta radioul.
- Oprii întotdeauna radioul înainte de a instala și a scoate cartușul acumulatorului.
- Aveți grijă să nu scăpați sau să loviți radioul. Carcasa ruptă vă poate tăia degetul sau vă poate răni corpul. Radioul deteriorat poate prezenta comportament imprevizibil care poate duce la incendiu, explozie sau risc de rănire.

## IMPORTANT:

- Puterea redusă, distorsiunea, zgomotul sacadat sau când apare "POWERFAIL" pe ecran sunt toate semne că trebuie să înlocuiți bateria principală.
- Cartușul acumulatorului nu poate fi încărcat prin adaptorul de curent alternativ furnizat.
- Cartușul acumulatorului nu este inclus ca accesoriu standard.

## Instalarea sau demontarea cartușului de acumulator cu introducerea prin glisare (Fig. 2 și 3)

1. Pentru a instala cartușul de acumulator, aliniați limba de pe cartușul de acumulator cu canelura din carcasă și introduceți-l în locaș. Introduceți-l întotdeauna complet, până când se fixează la poziție cu un declic.
2. Dacă puteți vedea indicatorul roșu din partea superioară a butonului, acesta nu este blocat complet. Introduceți-l complet, până când indicatorul roșu nu mai este vizibil. În caz contrar, acesta poate cădea accidental din radio, provocând rănirea dumneavoastră sau a persoanei din jur.
3. Nu forțați introducerea cartușului de acumulator. Dacă acesta nu glisează ușor, înseamnă că a fost introdus incorect.
4. Pentru a scoate cartușul acumulatorului, glisați-l din radio în timp ce glisați butonul din partea frontală a cartușului.

## Instalarea sau demontarea cartușului pentru set de acumulator (Fig. 4 și 5)

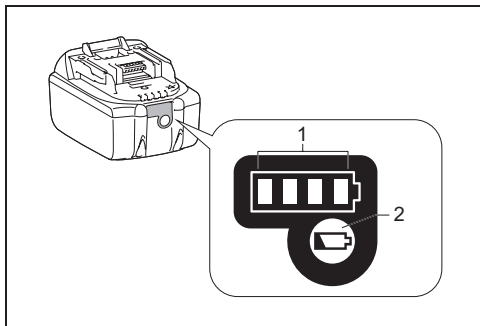
1. Pentru a introduce cartușul de acumulator, aliniați limba de pe cartușul de acumulator cu canelura din carcasă

și introduceți-l în locaș.

2. Pentru a scoate cartușul de acumulator, scoateți acumulatorul din terminal în timp ce apăsați pe butoanele de pe o parte a cartușului.

## Indicarea capacității rămase a acumulatorului

\* Doar pentru cartușe de acumulator cu "B" la sfârșitul numărului de model.



➤ 1. Lumini indicatoare 2. Buton de verificare










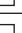

Apăsați butonul de verificare de pe cartușul de acumulator pentru indicarea capacității rămase a acumulatorului. Lămpile indicatoare vor lumina timp de câteva secunde.

### • Baterii 14,4V/18V

Indicator sau lumini			Capacitate rămasă
Pornit	Oprit	Intermitent	
■	■	■	75% ~ 100%
■	■	□	50% ~ 75%
■	□	□	25% ~ 50%
■	□	□	0% ~ 25%
▬	□	□	Încarcă acumulatorul
■	□	□	Acumulatorul funcționează incorect
□	□	■	



## ● Baterii 10,8V – 12V max

Indicator sau lumini			Remaining Capacity
 Pornit	 Oprit	 Intermitent	
			75% ~ 100%
			50% ~ 75%
			25% ~ 50%
			0% ~ 25%

### NOTĂ:

În funcție de condițiile de utilizare și temperatura mediului ambiant, indicatorul poate diferi ușor de capacitatea reală.

### Utilizarea antenei verticale cu îndoire ușoară (Fig. 1)

Îndreptați antena verticală cu îndoire ușoară în modul indicat în figură.

### Utilizarea adaptorului de curent alternativ furnizat

Îndepărtați protecția de cauciuc și introduceți adaptorul în mufa DC (curent continuu) de pe partea dreaptă a radioului.

Conectați adaptorul la o priză standard.

Ori de câte ori se utilizează adaptorul, acumulatorul este deconectat automat.

### ⚠️ ATENȚIE:

- Înainte de a muta radioul, deconectați întotdeauna complet adaptorul de curent alternativ. Dacă adaptorul de curent alternativ nu este îndepărtat, poate provoca un șoc electric.
- Nu trageți niciodată cablul adaptorului. În caz contrar, radioul poate cădea accidental, cauzând vătămarea dvs. sau a cuiva de lângă dvs.

### IMPORTANT:

- Adaptorul de rețea este utilizat ca mijloc de conectare a radioului la rețeaua de alimentare. Priza de alimentare utilizată pentru radio trebuie să rămână accesibilă în timpul utilizării normale.
- Pentru a deconecta radioul, adaptorul de rețea trebuie să fie complet scos din priză.
- Utilizați doar adaptorul de curent alternativ furnizat cu produsul sau specificat de Makita.
- Nu țineți cablul de alimentare sau ștecherul în gură. Acest lucru poate provoca un șoc electric.
- Nu atingeți mufa de alimentare cu mâinile umede sau grase.
- Cablurile deteriorate sau încurcate cresc riscul de electrocutare. Dacă cablul este deteriorat, înlocuiți-l la

centrul de service autorizat pentru a evita pericolul. Nu îl folosiți înainte de reparații.

- După utilizare, depozitați întotdeauna adaptorul de curent alternativ departe de copii. Dacă copiii se joacă cu cablul, pot suferi vătămări.

### Încărcarea de la portul USB de alimentare electrică

Portul USB se află pe partea frontală a radioului. Puteți încărca dispozitivul USB prin portul USB.

1. Conectați dispozitivul USB, precum iPod, MP3, sau CD player, cu un cablu USB disponibil pe piață.
2. Apăsăți butonul Alimentare pentru a porni radioul.
3. Indiferent dacă radioul este alimentat cu curent alternativ sau de la acumulator, radioul poate încărca dispozitivul USB când radioul este pornit și se află în modul radio FM/DAB, modul BT sau modul AUX, în funcție de care apare la conectarea unei surse audio externe.

### Notă:

- Volumul maxim al difuzorului de ieșire va scădea la încărcarea prin USB.
- Mufa USB poate asigura un curent electric de max. 5 V, 1 A.

### Important:

- Înainte de conectarea dispozitivului USB la portul USB, realizați întotdeauna o copie de siguranță a datelor dumneavoastră de pe dispozitivul USB. În caz contrar, datele se pot pierde fără posibilitate de recuperare.
- Este posibil ca radioul să nu alimenteze cu energie electrică unele dispozitive USB.
- Când nu utilizați dispozitivul sau după încărcare, scoateți cablul USB și închideți capacul.
- Nu conectați sursa de alimentare la portul USB. În caz contrar, există pericol de incendiu. Portul USB este destinat strict încărcării dispozitivelor de joasă tensiune. Amplasați întotdeauna capacul pe portul USB atunci când nu încărcați dispozitivul de joasă tensiune.
- Nu introduceți cuie, cabluri etc. în portul USB de alimentare electrică. În caz contrar, un scurtcircuit poate cauza fum și incendii.
- Nu conectați această mufă USB în portul USB al PC-ului dumneavoastră, deoarece este foarte posibil să producă defectarea aparatului.

## ASCULTAREA RADIOULUI

Acest radio este prevăzut cu trei metode de acord - acord prin scanare, acord Manual și accesarea presetărilor din memorie.

### Selectarea unui post – DAB

1. Apăsăți butonul Power (Alimentare) pentru a porni radioul.
2. Selectați modul DAB apăsând butonul Band (Bandă).

3. Apăsați butonul Advanced setting (Setare avansată) și rotiți butonul Volume/Tuning Control/Select (Volum/Control acord/Selectare) până când "Station List" (Listă posturi) este afișat intermitent pe ecran. Apăsați butonul Volume/Tuning Control/Select (Volum/Control acord/Selectare) pentru a accesa lista de posturi.
4. Rotiți butonul Volume/Tuning Control/Select (Volum/Control acord/Selectare) pentru a parcurge lista posturilor disponibile. Apăsați butonul pentru a selecta postul.
5. Reglați volumul dorit rotind butonul Volume/Tuning Control/Select (Volum/Control acord/Selectare).

## Moduri de afișare – DAB

Radioul dispune de o gamă de opțiuni de afișare în modul DAB:

Apăsați butonul Info pentru a parcurge ciclic diferitele opțiuni prezentate în enumerarea următoare (de la a. la g.).

- |  |  |
|--|--|
| a. Station name<br>(Nume post)                   | Indică numele postului ascultat.   |
| b. Program type<br>(Tip program)                 | Indică tipul postului ascultat. De ex., Pop (Muzică pop), Classics (Muzică clasică), News (Știri) etc. |
| c. Multiplex name<br>(Nume multiplex)            | Indică numele multiplexului DAB căruia îi aparține postul curent.                                      |
| d. Time & date<br>(Ora și data)                  | Indică ora și data curentă.  |
| e. Frequency and channel<br>(Frecvență și canal) | Indică frecvența și numărul canalului specifice postului DAB curent.                                   |
| f. Bit rate/Audio type<br>(Rată biți/Tip audio)  | Indică rata de biți pentru semnalul audio digital și tipul de sunet pentru postul DAB curent.          |
| g. Signal strength<br>(Intensitate semnal)       | Indică intensitatea semnalului pentru postul DAB curent.   |

## Identificarea de posturi noi – DAB

Ocazional, este posibil ca noi posturi DAB să devină disponibile. Sau este posibil ca dumneavoastră să vă mutați într-o altă parte a țării. În acest caz, se recomandă activarea radioului pentru căutarea de posturi noi.

Pentru a permite radioului să găsească posturi noi, se recomandă efectuarea unei scanări complete a tuturor frecvențelor DAB din banda III.

1. Apăsați butonul Auto tune (Acord automat).
2. Radioul va efectua o scanare completă a frecvențelor DAB. Pe măsură ce sunt găsite posturi noi, contorul de posturi din stânga afișajului va crește și se vor adăuga posturi pe listă.

## Acord manual – DAB

Acordul manual permite reglarea radioului pe frecvența

unei anumite frecvențe DAB din banda III. De asemenea, această funcție se poate utiliza pentru asistarea poziționării antenei sau a radioului, pentru a optimiza recepția unui anumit canal sau unei anumite frecvențe.

1. Apăsați butonul Advanced setting (Setare avansată) și rotiți butonul Volume/Tuning Control/Select (Volum/Control acord/Selectare) până când "Manual tune" (Acord manual) este afișat intermitent pe ecran. Apăsați butonul Volume/Tuning Control/Select (Volum/Control acord/Selectare) pentru a accesa modul de acord manual.
2. Rotiți butonul Volume/Tuning Control/Select (Volum/Control acord/Selectare) pentru a selecta canalul DAB dorit. Apăsați butonul Volume/Tuning Control/Select (Volum/Control acord/Selectare) pentru a confirma frecvența aleasă.

## Configurarea ordinii posturilor – DAB

Radioul dispune de 3 setări de ordine a posturilor, din care puteți alege. Setările pentru ordinea posturilor sunt alfanumeric, ansamblu și posturi valide.

1. Apăsați butonul Advanced setting (Setare avansată).
2. Rotiți butonul Volume/Tuning Control/Select (Volum/Control acord/Selectare) până când pe ecran apare "Station order" (Ordine posturi), apoi apăsați pe butonul Volume/Tuning Control/Select (Volum/Control acord/Selectare) pentru a introduce setarea.
3. Rotiți butonul Volume/Tuning Control/Select (Volum/Control acord/Selectare) pentru a selecta următoarele opțiuni și apăsați pe buton pentru a confirma setarea.
 

Alphanumeric (Alfanumeric)	Sortează lista de posturi în ordine alfanumerică, respectiv 0...9 și A...Z
Ensemble (Ansamblu)	Organizează lista de posturi în funcție de multiplexul DAB
Valid	Afișează numai acele posturi pentru care se poate găsi un semnal

## Control dinamic al domeniului (Dynamic Range Control - DRC) – DAB

Caracteristica DAB poate face ca sunetele mai slabe să fie mai ușor audibile atunci când radioul este utilizat într-un mediu zgomotos, reducând domeniul dinamic al semnalului audio. Există trei niveluri de comprimare:

- |         |                                |
|---------|--------------------------------|
| DRC 0   | Nu se aplică nicio comprimare. |
| DRC 1/2 | Se aplică o comprimare medie.  |
| DRC 1   | Se aplică o comprimare maximă. |

1. Apăsați butonul Power (Alimentare) pentru a porni radioul.
2. Apăsați pe butonul Band (Bandă) pentru selectarea benzii DAB.
3. Apăsați butonul Advanced setting (Setare avansată) și rotiți butonul Volume/Tuning Control/Select (Volum/Control acord/Selectare) până când "DRC Value" (Valoare DRC) este afișat intermitent pe ecran. Apoi, apăsați butonul Volume/Tuning Control/Select (Volum/

- Control acord/Selectare) pentru a accesa setarea. Afișajul va prezenta valoarea DRC curentă.
4. Rotiți butonul Volume/Tuning Control/Select (Volum/Control acord/Selectare) pentru a selecta setarea DRC dorită.
  5. Apăsați butonul Volume/Tuning Control/Select (Volum/Control acord/Selectare) pentru a confirma setarea.

## Acord prin scanare – FM

1. Apăsați butonul Power (Alimentare) pentru a porni radioul.
2. Selectați banda de frecvență dorită apăsând butonul Band (Bandă). Asigurați-vă că antena verticală cu îndoire ușoară a fost poziționată corect pentru cea mai bună recepție FM. Încercați să evitați operarea radioului lângă un monitor de calculator sau lângă alte echipamente care vor cauza interferențe cu radioul.
3. Apăsați pe butonul Auto tune (Acord automat), iar radioul va căuta și se va opri automat atunci când găsește un post de radio. Radioul va continua căutarea următorului post disponibil dacă operatorul nu apasă pe butonul Auto tune (Acord automat) pentru a opri scanarea.
4. Rotiți butonul Volume/Tuning Control/Select (Volum/Control acord/Selectare) pentru a obține nivelul de sunet dorit. Afișajul LCD va indica modificările nivelului sonor.
5. Pentru a opri radioul, apăsați butonul Power (Alimentare).

## Zonă de scanare FM (RDS)

Când utilizați modul FM, radioul poate fi setat să scaneze fie posturile locale, fie toate posturile, inclusiv posturile de radio aflate la distanță.

1. Apăsați butonul Power (Alimentare) pentru a porni radioul.
2. Apăsați butonul Bandă pentru a selecta banda FM.
3. Apăsați butonul Setare avansată și apoi rotiți butonul pentru Volum/Control reglare/Selectare până când pe afișaj apare "Zona de scanare FM". Apăsați butonul pentru Volum/Control reglare/Selectare pentru a intra în setări.
4. Rotiți butonul pentru Volum/Control reglare/Selectare pentru a comuta între opțiunile "Local" (numai stații puternice) și "Distant" (toate posturile) de pe linia de jos a afișajului. Opțiunea Distant va permite radioului să găsească semnale mai slabe la scanare.
5. Apăsați butonul pentru Volum/Control reglare/Selectare pentru a confirma selecția. Setarea "Local" și "Distant" este stocată în radio și rămâne în vigoare până la schimbarea sau până la resetarea sistemului.

## Acord manual – FM

1. Apăsați butonul Power (Alimentare) pentru a porni

radioul.

2. Apăsați butonul Band (Bandă) pentru a selecta banda de frecvențe dorită. Reglați antena conform descrierii de mai sus.
3. Rotiți butonul Volume/Tuning Control/Select (Volum/Control acord/Selectare) pentru a modifica frecvența cu următorul pas: FM: 50 kHz

### Notă:

Pentru a utiliza butonul Volume/Tuning Control/Select (Volum/Control acord/Selectare) pentru a găsi postul dorit, apăsați butonul Volume/Tuning Control/Select (Volum/Control acord/Selectare) pentru a comuta la modul de control al acordului.

4. Continuați rotirea butonului Volume/Tuning Control/Select (Volum/Control acord/Selectare) până când pe afișaj apare frecvența dorită.
5. Rotiți butonul Volume/Tuning Control/Select (Volum/Control acord/Selectare) pentru a obține nivelul de sunet dorit.
6. Pentru a opri radioul, apăsați butonul Power (Alimentare).

## Moduri de afișare – FM (RDS)

Radioul dumneavoastră dispune de o gamă de opțiuni de afișare pentru modul radio FM:

Apăsați repetat butonul Info pentru a vizualiza informațiile RDS (Sistem de date radio) ale postului pe care îl ascultați.

- |                                     |   |
|-------------------------------------|---|
| a. Program station (Post programat) | Afișează numele postului ascultat.  |
| b. Frequency (Frecvență)            | Indică frecvența semnalului FM.   |
| c. Radio text (Text radio)          | Afișează mesaj text, precum știri etc.  |
| d. Program type (Tip de program)    | Afișează tipul postului ascultat, precum Pop, Classic (Clasic), News (Știri) etc. |
| e. Time & date (Ora și data)        | Indică ora și data curentă.   |

## Stocarea posturilor în memoriile presetate (DAB și FM)

Există 5 presetări de memorie pentru fiecare bandă de frecvențe.

1. Apăsați butonul Power (Alimentare) pentru a porni radioul.
2. Accordați radioul pe frecvența postului dorit utilizând una dintre metodele descrise anterior.
3. Apăsați și mențineți butonul Preset (Presetare) dorit până la apariția pe ecran a numărului presetării, de exemplu, "P2 Saved" (P2 salvat). Apoi, postul este stocat în butonul Preset (Presetat) selectat.
4. Repetați acest procedeu pentru presetările rămase.
5. Posturile de radio stocate în memoriile presetate pot fi

suprascrise urmând procedurile descrise mai sus.

## Reapelarea posturilor din memoriile presetate (DAB și FM)

1. Apăsați butonul Power (Alimentare) pentru a porni radioul.
2. Apăsați butonul Band (Bandă) pentru a selecta banda de frecvențe dorită.
3. Apăsați scurt pe butonul Preset (Presetare) dorit. Numărul presetării și frecvența postului vor apărea pe afișaj.

## ASCULTAREA MUZICII PRIN TRANSMISIE PRIN BLUETOOTH

Trebuie să asociați dispozitivul Bluetooth cu radioul înainte de a vă putea conecta automat pentru a reda/transmite prin Bluetooth muzică prin radio. Asocierea creează o "legătură", astfel încât două dispozitive se pot recunoaște reciproc.

### NOTĂ:

Pentru a avea o calitate mai bună a sunetului, vă recomandăm să setați volumul la mai mult de două treimi de pe dispozitivul Bluetooth și apoi să reglați volumul la radio, după cum este necesar.

## Asocierea dispozitivului Bluetooth pentru prima dată

1. Apăsați butonul de pornire pentru a porni radioul. Apăsați butonul Band pentru a selecta modul Bluetooth. Indicatorul Bluetooth de pe butoanele Presetare clipește albastru pentru a afișa că radioul este detectabil.
2. Activați Bluetooth pe dispozitiv în conformitate cu manualul de utilizare al dispozitivului pentru a vă conecta la radio. Identificați lista dispozitivelor Bluetooth și selectați dispozitivul numit "DMR112". La unele telefoane mobile (care sunt echipate cu versiuni anterioare dispozitivelor Bluetooth BT2.1), poate fi necesar să introduceți codul de acces "0000".
3. Odată conectat, veți auzi un sunet de confirmare și indicatorul Bluetooth de pe butoanele Presetare va rămâne în albastru. Puteți selecta și reda pur și simplu orice muzică de pe dispozitivul sursă. Controlul volumului poate fi ajustat de la dispozitivul sursă sau direct de la radio.
4. Utilizați comenzile de pe dispozitivul cu Bluetooth activat sau de pe radio pentru a reda/opri și naviga printre piese.

### NOTĂ:

1. Dacă 2 dispozitive Bluetooth, asociate pentru prima dată, caută radioul în același timp, acesta va afișa disponibilitatea pe ambele dispozitive. Cu toate

acestea, dacă un dispozitiv se conectează mai întâi la această unitate, atunci celălalt dispozitiv Bluetooth nu îl va găsi pe listă.

2. Dacă dispozitivul Bluetooth este deconectat temporar de la radio, atunci trebuie să re conectați manual dispozitivul din nou la radio.
3. Dacă "DMR112" apare în lista de dispozitive Bluetooth, dar dispozitivul nu se poate conecta cu acesta, ștergeți articolul din listă și asociați din nou dispozitivul cu radioul, urmând pașii descriși anterior.
4. Raza optimă de transmisie prin Bluetooth este de aproximativ 10 metri (linie dreaptă) până la radio, dar este posibilă o distanță de până la 30 de metri.
5. Dacă se pierde conexiunea Bluetooth datorită depășirii timpului de separare, depășirii distanței optime, obstacolelor sau în alt mod, re conectarea dispozitivul la radio poate fi necesară.
6. Obstacolele fizice, alte dispozitive fără fir sau dispozitive electromagnetice pot afecta calitatea conexiunii.
7. Performanța conexiunii Bluetooth poate varia în funcție de dispozitivele Bluetooth conectate. Consultați capabilitățile Bluetooth ale dispozitivului dvs. înainte de a vă conecta la radio. Este posibil ca nu toate funcțiile să fie acceptate pe unele dispozitive Bluetooth asociate.

## Redarea fișierelor audio în mod Bluetooth

Când conectați cu succes radioul la dispozitivul Bluetooth ales, puteți începe să redați muzica utilizând comenzile de pe dispozitivul Bluetooth conectat.

1. Odată ce ați început redarea, reglați volumul la nivelul dorit utilizând butonul Volum de la radio sau de la dispozitivul Bluetooth activat.
2. Utilizați comenzile de pe dispozitiv pentru a reda/întrerupe și naviga printre piese.

### NOTĂ:

1. Nu toate aplicațiile sau dispozitivele de redare pot răspunde la toate aceste comenzi.
2. Unele telefoane mobile se pot deconecta temporar de la radio când efectuați sau primiți apeluri. Unele dispozitive pot întrerupe temporar streaming-ul audio Bluetooth atunci când primesc mesaje text, e-mailuri sau din alte motive care nu au legătură cu streaming-ul audio. Acest comportament este o funcție a dispozitivului conectat și nu indică o defecțiune la radio.

## Redarea unui dispozitiv sursă Bluetooth asociat anterior

Radioul poate memora până la 8 seturi de dispozitive asociate. Atunci când memoria depășește acest număr, va scrie peste cea mai veche asociere. Dacă dispozitivul Bluetooth a fost deja asociat anterior cu radioul, unitatea

va memora dispozitivul Bluetooth și va încerca să se reconecteze la un dispozitiv din memorie la care a fost conectat ultima dată. Dacă ultimul dispozitiv conectat nu este disponibil, radioul va fi detectabil.

## Deconectarea dispozitivului Bluetooth

Apăsați și țineți apăsat butonul de asociere Bluetooth timp de 2-3 secunde pentru a vă deconecta de la dispozitivul Bluetooth. Indicatorul Bluetooth de pe butoanele Presetare clipește în albastru, indicând că radioul poate fi detectat din nou pentru asociere.

## INTRĂRI AUXILIARE

Două prize de intrare stereo auxiliare de 3,5 mm sunt furnizate. Una se află în partea din față a radioului dvs. (AUX IN 1)(Intrare auxiliară 1); celălalt se află în compartimentul bateriilor (AUX IN 2)(Intrare auxiliară 2).

1. Conectați o sursă audio externă (de exemplu iPod, MP3 sau CD player) la mufa de intrare auxiliară prin cablu audio.
2. Apăsați și eliberați repetat butonul Bandă până când se afișează "AUX IN 1" sau "AUX IN 2", apoi este activată funcția AUX.
3. Pentru a avea o calitate mai bună a sunetului, vă recomandăm să setați volumul la mai mult de două treimi la nivelul dispozitivului dvs. audio și apoi să reglați volumul de la radio, după cum este necesar.

### NOTĂ:

Cablul audio nu este inclus ca accesoriu standard.

## SETĂRI DIVERSE

### Opțiuni de limbă

Radioul este prevăzut cu opt opțiuni de limbă: engleză, germană, italiană, franceză, olandeză, daneză, norvegiană și spaniolă.

1. Apăsați butonul Advanced setting (Setare avansată).
2. Rotiți butonul Volume/Tuning Control/Select (Volum/Control acord/Selectare) până când pe afișaj se afișează "Language" (Limbă). Apăsați pe butonul Volume/Tuning Control/Select (Volum/Control acord/Selectare) pentru a accesa setarea.
3. Rotiți butonul Volume/Tuning Control/Select (Volum/Control acord/Selectare) pentru a alege limba dorită. Apăsați butonul Volume/Tuning Control/Select (Volum/Control acord/Selectare) pentru a confirma setarea.

### Controlul luminozității

Butonul Luminozitate poate fi reglat.

1. Apăsați butonul Advanced setting (Setare avansată).
2. Rotiți butonul pentru Volum/Control reglare/Selectare până când pe afișaj apare "Buton Light". Apăsați butonul pentru Volum/Control reglare/Selectare pentru

a intra în setări.

3. Rotiți butonul pentru Volum/Control reglare/Selectare pentru a alege "On" sau "Off" pentru a activa sau dezactiva funcția de lumină a butoanelor, apoi apăsați butonul pentru Volum/Control reglare/Selectare pentru a confirma setarea.

## Resetarea sistemului

Dacă radioul funcționează incorect sau unele cifre de pe afișaj lipsesc sau sunt incomplete, efectuați următoarea procedură.

1. Apăsați butonul Advanced setting (Setare avansată).
2. Rotiți butonul Volume/Tuning Control/Select (Volum/Control acord/Selectare) până când pe afișaj se afișează "Factory Reset" (Resetare la parametrii din fabrică). Apăsați pe butonul Volume/Tuning Control/Select (Volum/Control acord/Selectare) pentru a accesa setarea.
3. Rotiți butonul Volume/Tuning Control/Select (Volum/Control acord/Selectare) pentru a alege "Yes" (Da). Apăsați butonul Volume/Tuning Control/Select (Volum/Control acord/Selectare) pentru a confirma setarea și se va efectua o resetare completă

## Versiune software

1. Apăsați butonul Advanced setting (Setare avansată).
2. Rotiți butonul Volume/Tuning Control/Select (Volum/Control acord/Selectare) până când pe afișaj apare "SW Version" (Versiune software). Apăsați butonul Volume/Tuning Control/Select (Volum/Control acord/Selectare) pentru a vizualiza versiunea software instalată în radio.

## Port Micro USB pentru actualizare software

Este posibil ca, pe viitor, să existe actualizări software disponibile pentru radio.

Pe măsură ce actualizările software devin disponibile, programele software și informațiile privind actualizarea radioului pot fi găsite pe [website-ul Makita](#).

## ÎNȚREȚINERE

### ⚠ ATENȚIE:

**Nu utilizați niciodată gazolină, benzină, diluant, alcool sau alte substanțe asemănătoare. În caz contrar, pot rezulta decolorări, deformări sau fisuri.**

## Specificații

Cerințe de alimentare	
Adaptor de alimentare	12 V c.c. 1,2A, pin central pozitiv
Acumulator	Set de acumuloare: 7,2 V - 10,8 V Acumulator cu introducere prin glisare: 10,8 V - 18 V
Domeniu de frecvență	FM 87,50 - 108 MHz DAB/DAB+ 174,928-239,200 MHz
DAB/DAB+ Blocare canale	DAB (Bandă III) 5A-13F
Standard compatibil	DAB/DAB+

Bluetooth® (Denumirea Bluetooth® și sigla sunt mărci comerciale înregistrate deținute de Bluetooth SIG, Inc.)	
Versiune Bluetooth	4,0
Profiluri Bluetooth	A2DP/SCMS-T
Putere de transmisie	Putere Clasa2
Distanță de transmisie	Optim: Max. 10 metri (33 picioare) Posibil: Max. 30 metri (100 picioare) (variază în funcție de condițiile de utilizare)
Codec permis	SBC, AAC
Profil Bluetooth compatibil	A2DP
Putere maximă de radio frecvență:	BT EDR: 3,12dBm BT LE: 2,31dBm
Frecvența de operare	2402MHz~2480MHz

Caracteristici circuit	
Difuzor	3,5 inch 32 ohm x 2
Putere de ieșire	7,2 V: 0,6 W X 2 12Vmax: 1,7 W X 2 14,4 V: 3 W X 2 18 V: 4,9 W X 2
Terminal de intrare	3,5 mm diametru (AUX IN1/AUX IN2)
Sistem de antenă	DAB/FM: antenă verticală cu îndoire ușoară
Dimensiune (L x l x h)	282 × 163 × 294 mm
Greutate	4,3KG (fără acumulator)

## ЗОВНІШНІЙ ВИГЛЯД І РОЗТАШУВАННЯ КНОПОК (Мал. 1~5)

1. М'яка гнучка стрижнева антена
2. Замок відсіку акумулятора
3. Ручка
4. Кришка акумуляторного відсіку (що покриває акумуляторний картридж)
5. Вхідний роз'єм DC
6. Динамік
7. Кнопка живлення
8. Кнопка перемикання групи
9. Кнопка додаткових налаштувань
10. Інформаційна кнопка
11. Попередні установки 2-5
12. Кнопка автоматичного налаштування
13. Регулювання гучності/налаштувань/вибору
14. Порт USB джерела живлення
15. Ауксiальний вхід 1
16. Кнопка попередніх налаштувань 1/Блютуз
17. РК-дисплей
18. Вхідний термінал (Ауксiальний вхід 2)
19. Відсік для акумулятору
20. Мікро-USB порт для оновлення програмного забезпечення
21. Акумуляторний картридж

## СИМВОЛИ

Нижче наводяться символи, що використовуються в обладнанні. Переконайтеся, що Ви розумієте їх значення, перш ніж приступати до використання.



Прочитайте інструкцію з використання.



Тільки для стран ЄС  
Не утилізуйте електричне обладнання та акумуляторів разом із іншим домашнім брудом!  
Згідно із європейськими директивами із утилізації електронного обладнання та акумуляторів і її імплементацією у відповідності з місцевим законодавством, електричне обладнання та акумулятори, що вичерпали свій ресурс, слід повертати до спеціалізованих центрів із утилізації.

## ВАЖЛИВІ ВКАЗІВКИ БЕЗПЕКИ

### ⚠ ЗАСТЕРЕЖЕННЯ:

Працюючи з електричним обладнанням, слід дотримуватися загальноприйнятих правил безпеки, щоб запобігти ризику виникнення пожежі, електричного шоку і травм. Для цього слід:

1. Уважно прочитати цю інструкцію, а також інструкцію до зарядного пристрою, перш ніж приступати до їх використання.
2. Для чищення використовувати тільки суху ганчірку.
3. Не встановлювати обладнання біля джерел тепла, наприклад, біля радіаторів, обігрівачів або інших пристроїв (у тому числі підсилювачі).
4. Використовуйте тільки ті пристосування/аксесуари, що рекомендовані виробником.
5. Вимикайте це обладнання від мережі під час грози або якщо Ви не плануєте його використовувати тривалий час.
6. Акумуляторний радіоприймач із убудованим акумулятором або окремим акумуляторним блоком необхідно перезаряджати, використовуючи лише рекомендований зарядний пристрій для акумуляторів. Зарядний пристрій, який підходить для акумуляторів одного типу, може призвести до пожежі у разі використання з акумуляторами іншого типу.
7. Використовуйте акумуляторний радіоприймач лише з рекомендованим типом акумуляторів. Використання будь-яких інших акумуляторів може створити небезпеку виникнення пожежі.
8. Якщо ви не використовуєте батареї, зберігайте їх далеко від виробів з металу, наприклад: скріпки, монети, ключі, цвяхи, гвинти або ін. дрібні металеві предмети, які можуть замкнути контакти батареї. Коротке замикання в контактах батареї може викликати іскру й стати причиною займання або пожежі.
9. Уникайте контакту тіла із заземленими поверхнями, такими як труби, радіатори, плити та холодильники, оскільки існує підвищений ризик ураження електричним струмом, якщо ваше тіло заземлено.
10. У випадку неправильного поводження батарея може потекти. Уникайте контакту з рідиною з батареї. При випадковому потрапленні на шкіру змийте водою. Якщо рідина потрапила в очі, негайно зверніться по медичну допомогу. Рідина з батареї може викликати роздратування або опіки.
11. Не користуйтеся пошкодженим або модифікованим акумуляторним блоком чи інструментом. Пошкоджені або модифіковані акумулятори можуть демонструвати непередбачувану поведінку, що може спричинити пожежу, вибух або ризик травмування.
12. Не піддавайте акумулятора або пристрою впливу вогню та високих температур. Нагрівання вище ніж 130 градусів може призвести до вибуху.
13. Виконуйте всі інструкції із зарядки та не здійснюйте її за межами температурних умов, що зазначені у

- цій інструкції, бо це може призвести до ушкодження акумулятора та підвищити ризик пожежі.
14. МЕРЕЖЕВИЙ штепсель використовується для відключення від мережі, а тому він повинен залишатися легко доступним.
  15. Не використовуйте пристрій на високому рівні гучності тривалий період часу. Щоб уникнути пошкодження слуху, використовуйте цей пристрій на помірному рівні гучності.
  16. (Для продуктів із РК-дисплеєм) РК-дисплеї містять рідину, яка може спричинити подразнення та отруєння. Якщо рідина потрапила в очі, рот або шкіру, промийте їх водою та зверніться до лікаря.
  17. Не утримуйте пристрій під дощем або у вологих умовах. Якщо вода потрапить у пристрій, виникне ризик ураження електричним струмом.
  18. Цей продукт не призначений для використання особами (включаючи дітей) з обмеженими фізичними, чуттєвими або розумовими здібностями або відсутністю досвіду та знань, крім випадків, коли вони знаходяться під наглядом або виконують вказівки особи, відповідальної за їхню безпеку, стосовно використання продукту. Стежте за тим, щоб діти не грали із пристроєм. Зберігайте пристрій у місцях, недоступних для дітей.

## ЗБЕРЕЖІТЬ ЦЮ ІНСТРУКЦІЮ

### СПЕЦІАЛЬНІ ПРАВИЛА БЕЗПЕКИ

#### ДЛЯ АККУМУЛЯТОРНОГО КАРТРИДЖА

1. Перш ніж приступати до роботи з акумуляторним картриджем, прочитайте всі інструкції і попереджувачі зауваження, що стосуються (1) зарядного пристрою для батареї, (2) батареї (3) обладнання, що працює на батареях.
2. Не розбирайте акумулятори.
3. Якщо термін роботи батареї значно скоротився, негайно припиніть роботу, оскільки це може викликати перегрів, займання і навіть вибух.
4. Якщо Вам в очі потрапив електроліт, негайно промийте їх чистою водою та відразу ж зверніться по медичну допомогу, бо Ви можете втратити зір.
5. Не допускайте замикання контактів батареї, а саме:
  - (1) Не торкайтеся контактів ніякими матеріалами, які проводять струм.
  - (2) Не зберігайте батареї у контейнерах, де присутні інші металеві предмети, наприклад, цвяхи, монети та ін.
  - (3) Не допускайте попадання на батарею вологи і води. Це може призвести до замикання батареї, результатом чого може стати перенапруження, перенагрівання, займання або несправність.
6. Не зберігайте обладнання та акумулятори в місцях, де температура може досягати або перевищувати 50°C (122°F).
7. Не кидайте батареї у вогонь, навіть якщо вони

- сильно пошкоджені або повністю зношені, оскільки у вогні батареї можуть вибухнути.
8. Не кидайте батареї та оберігайте їх від механічного впливу та ударів.
  9. Не використовуйте пошкоджені батареї.
  10. Аби уникнути цих ризиків, слід спочатку ознайомитися з інструкцією. Максимальний розрядний струм акумулятора повинен бути більше або дорівнювати 8 А.
  11. Літвіє акумулятори підлягають спеціальним правилам поводження із ними. Щодо їх транспортування та продажу третьою особою, утримання тощо, слід уважно ознайомитися із вимогами на етикетках. Для підготовки до транспортування слід отримати консультацію спеціаліста щодо шкідливості матеріалів, а також уважно ознайомитися із місцевими умовами стосовно безпеки. Зафіксуйте та заверніть акумулятор належним чином, щоб він не рухався усередині пакування.
  12. Виконуйте місцеві закони та правила стосовно утилізації акумуляторів.
  13. Використовуйте акумулятор тільки з пристроями, що були рекомендовані Makita. Використання акумулятора з іншими пристроями може спричинити пожежу, перегрівання, витікання електроліту та навіть вибух.

#### ⚠ ЗАСТЕРЕЖЕННЯ:

- Існує безпека, якщо неправильно встановити акумулятор.
- Для заміни використовуйте такий же самий тип акумулятора.
- Використовуйте тільки акумулятори Makita. Використання акумуляторів інших виробників може призвести до травм, пожежі та інших ушкоджень. У такому випадку компанія Makita знімає із себе гарантійну відповідальність за пристрій та зарядку.

#### Поради щодо забезпечення максимального терміну служби батареї

1. Заряджайте батарею до того, як вона повністю розрядилася. Як тільки Ви помітите, що обладнання працює із меншою потужністю, зупиніть роботу та поставте батарею на зарядку.
2. Не ставте на підзарядку батарею, яка повністю заряджена. Перезарядка скорочує термін служби батареї.
3. Заряджайте батареї у приміщеннях при температурі від 10°C до 40°C (50°F - 104°F). Якщо батарея нагрілася, охладіть її, перш ніж ставити на підзарядку.
4. Час від часу підзаряджайте батареї, якщо ви не використовуєте обладнання тривалий період (більш ніж шість місяців).



# ЧАС УПРАВЛІННЯ

\* У наступній таблиці наводиться час роботи після зарядки.

Ємність акумулятора	Напруга касетного акумулятора					ПРИ ВИХОДІ НА ДИНАМІКУ = 100 мВт Година (приблизно)	
	7,2 V	10,8 V	10,8 V – 12Vmax	14,4 V	18 V	У режимі радіоприймача або AUX	У режимі радіо із USB-зарядкою (1,0A)
1,0 А-год.	BL7010					5,0	0,7
1,3 А-год.		BL1013				7,0	0,9
				BL1415		5,5	1,7
					BL1815	6,0	1,9
1,5 А-год.	BL0715					7,5	1,0
			BL1015 BL1016			8,5	1,7
				BL1415N		7,0	2,0
					BL1815N	7,5	2,0
2,0 А-год.			BL1020B BL1021B			11	2,0
					BL1820 BL1820B	10	3,0
3,0 А-год.				BL1430 BL1430B		12	3,5
					BL1830 BL1830B	14	4,0
4,0 А-год.			BL1040B BL1041B			21	4,0
				BL1440		19	5,5
					BL1840 BL1840B	20	6,0
5,0 А-год.				BL1450		23	6,5
					BL1850 BL1850B	26	8,0
6,0 А-год.				BL1460B		25	7,5
					BL1860B	31	9,5

 : Гніздовий акумулятор     : Висувний акумулятор

## **⚠ ПОПЕРЕДЖЕННЯ:**

Використовуйте лише перелічені вище картриджі. Використання будь-яких інших картриджів може спричинити травми та/або пожежу.

## **Примітка:**

Таблиця вище щодо часу роботи акумулятору наведена для довідки. Фактичний час роботи може відрізнятися залежно від типу акумулятору, умов зарядки або середовища використання.

## ВСТАНОВЛЕННЯ І ДЖЕРЕЛО ЖИВЛЕННЯ

### ⚠ УВАГА:

- Будьте обережні, щоб не затиснути пальці при відкриванні та закриванні кришки акумуляторного відсіку.
- Після установки або зняття картриджа поверніть акумуляторний відсік в початкове положення. В іншому випадку акумуляторний картридж може випадково випасти з радіоприймача, заподіявши шкоди Вам або кому-небудь іншому.
- Перед переміщенням радіоприймача завжди закривайте і блокуйте акумуляторний відсік.
- Завжди вимикайте радіоприймач перед встановленням або витяганням акумуляторного картриджа.
- Будьте обережні, щоб не впустити приймач і не вдарити по ньому. Через пошкодження оболонки можна порізати палець або інші частини тіла. Пошкоджений приймач може призвести до пожежі, вибуху або стати причиною травм.

### ВАЖЛИВО:

- Знижена потужність, спотворення і переривання звуку або поява на дисплеї напису «POWERFAIL» є ознаками того, що акумулятор необхідно замінити.
- Акумуляторний картридж неможливо зарядити за допомогою адаптеру змінного струму.
- Акумуляторний картридж не входить до комплекту поставки.

## УСТАНОВЛЕННЯ ТА ЗНІМАННЯ ВИСУВНОЇ КАСЕТИ АКУМУЛЯТОРУ (МАЛ. 2 І 3)

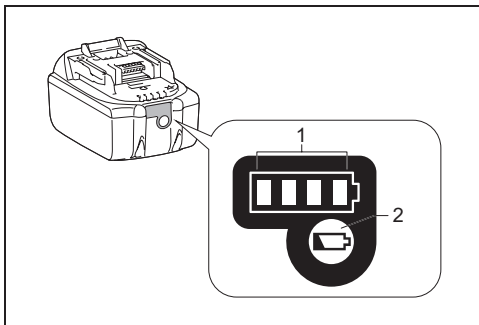
1. Щоб установити касету акумулятора, слід сумістити виступ на касеті акумулятора із пазом у корпусі та поставити касету на місце. Завжди вставляйте її до кінця, доки не почуєте клацання.
2. Якщо на верхній частині кнопки помітний червоний індикатор, це означає, що касета акумулятора встановлена не до кінця. Уставляйте її повністю, аж поки червоний індикатор стане невидимим. Якщо цього не зробити, вона може випадково випасти з радіоприймача та завдати травми Вам або людям, що знаходяться поруч.
3. Не застосовуйте силу, вставляючи касету акумулятора. Якщо касету вставити важко, це означає, що Ви її невірно вставляєте.
4. Щоб витягнути акумуляторний картридж, зсунувши кнопку на передній панелі картриджа.

## УСТАНОВЛЕННЯ ТА ЗНІМАННЯ ГНІЗДОВОЇ КАСЕТИ АКУМУЛЯТОРА (МАЛ. 4 І 5)

1. Для того щоб встановити касету акумулятора, слід сумістити виступ на касеті акумулятора із пазом у корпусі та вставити касету.
2. Для того щоб зняти касету акумулятора, її слід витягти з інструмента, натиснувши на кнопки на боці касети.

## ІВІДОБРАЖЕННЯ ЗАЛИШКОВОГО РЕСУРСУ АКУМУЛЯТОРА

\* Тільки для касет з акумулятором, що мають літеру "B" наприкінці номера моделі.










### ➤ 1. Лампочки індикаторів 2. Кнопка контролю

Натисніть на кнопку перевірки на касеті з акумулятором, щоб відобразити залишковий ресурс акумулятора. Індикаторні лампи загоряються на декілька секунд.

### • Акумулятори 14,4В/18В

Лампочки індикаторів			Залишковий заряд
Горить	Вимк	Блимає	
■	□	▧	75% ~ 100%
■	■	■	
■	■	□	
■	□	□	
■	□	□	50% ~ 75%
■	□	□	25% ~ 50%
■	□	□	0% ~ 25%
▧	□	□	Зарядіть батарею
■	■	□	Можливо, батарея вийшла з ладу
□	□	■	

## ● Акумулятори 10,8В-12В макс

Лампочки індикаторів			Залишковий заряд
 Горить	 Вимк	 Блимає	
			75% ~ 100%
			50% ~ 75%
			25% ~ 50%
			0% ~ 25%

### ПРИМІТКА:

Залежно від умов використання і температури навколишнього середовища результати можуть трохи відрізнятися від фактичної ємності батарей.

## ВИКОРИСТАННЯ ГНУЧКОЇ СТРИЖНЕВОЇ АНТЕНИ (МАЛ. 1)

Розпряміть гнучку стрижневу антену, як показано на малюнку.

## ВИКОРИСТАННЯ АС-АДАПТЕРУ ЖИВЛЕННЯ, ЩО ВХОДИТЬ ДО КОМПЛЕКТУ

Видаліть гумовий захист і вставте виделку адаптера в гніздо DC, розташоване праворуч на приймачі. Підключіть адаптер до стандартної розетки.

Якщо використовується адаптер, акумуляторний картридж автоматично відключається.

### УВАГА:

- Завжди відключайте адаптер живлення АС, перш ніж переміщати приймач. Якщо не від'єднати адаптер АС, це може викликати електричне замикання.
- Ніколи не тягніть адаптер за шнур. Інакше це може призвести до несподіваної уламки і травмувати Вас чи оточуючих.

### ВАЖЛИВО:

- Мережевий адаптер використовується як засіб підключення радіоприймача до електромережі. Електрична розетка, яка використовується для радіо, повинна бути доступною і під час звичайного використання.
- Щоб відключити радіоприймач, мережевий адаптер слід повністю витягнути з електричної розетки.
- Використовуйте адаптер змінного струму АС, який постачається разом із виробом або той, що схвалений Makita.
- Не тримайте кабель живлення у роті та не намагайтеся закріпити його ротом. Це може призвести до ураження електричним струмом.

- Не торкайтеся розетки живлення мокрими або жирними руками.
- Пошкоджені або заплутані шнури збільшують ризик ураження електричним струмом. Якщо шнур пошкоджено, його потрібно замінити у нашому авторизованому сервісному центрі, щоб уникнути небезпеки. Не використовуйте пристрій, доки його не буде відремонтовано.
- Після використання завжди зберігайте адаптер змінного струму в місцях, недоступних для дітей. Якщо діти будуть тягнути пристрій за шнур, вони можуть постраждати.

## ЗАРЯДЖАННЯ ЧЕРЕЗ USB-ПОРТ ЖИВЛЕННЯ

У передній частині радіоприймача знаходиться USB-порт. Через цей USB-порт Ви можете заряджати USB-пристрій.

1. Приєднайте USB-пристрій, наприклад iPod, MP3 або CD-плеєр, за допомогою доступного у продажу USB-кабелю.
2. Натисніть на кнопку живлення, щоб увімкнути радіоприймач.
3. Незалежно від того, чи радіоприймач живиться від мережі змінного струму або від акумулятора, радіоприймач може заряджати USB-пристрій, коли радіоприймач увімкнений і перебуває у режимі FM/DAB - радіо, у режимі BT або у режимі AUX, коли підключене зовнішнє аудіоджерело.

### Примітка:

- Під час здійснення заряджання через USB знижується максимальний рівень гучності динаміка.
- Гніздо USB видає електричний струм не більше 1 А напругою 5 В.

### Важливо:

- Перш ніж приєднувати USB-пристрій до USB-порту, завжди робіть резервні копії Ваших даних, що перебувають на USB-пристрої. Інакше існує ймовірність втрати цих даних.
- Радіо може не подавати живлення на деякі USB-пристрої.
- Якщо Ви не використовуєте USB-порт або закінчили заряджання, витягніть USB-кабель і закрийте кришку.
- Не приєднуйте джерело живлення до USB-порту. Інакше існує небезпека виникнення пожежі. USB-порт призначений для заряджання лише низьковольтних пристроїв. Коли Ви не здійснюєте заряджання низьковольтного пристрою, завжди приєднуйте кришку до USB-порту.
- Не встромляйте цвяхи, дроти тощо у USB-порт живлення. Інакше коротке замикання може спричинити появу диму і вогню.
- Не з'єднуйте гніздо USB із USB-портом ПК, тому що

існує велика ймовірність того, що пристрої вийдуть з ладу.

## ПРОСЛУХОВУВАННЯ РАДІО

У цьому радіоприймачі передбачено три способи пошуку станцій – шляхом сканування, ручного пошуку і виклику з пам'яті попередньо заданих станцій.

### ВИБІР СТАНЦІЙ – DAB

1. Натисніть кнопку живлення, щоб увімкнути радіоприймач.
2. Виберіть режим DAB, натиснувши на кнопку діапазону.
3. Натисніть кнопку розширених налаштувань і обертайте ручку регулювання гучності/пошуку станцій/вибору, поки на екрані не почне мигтати “Список станцій”. Натисніть ручку регулювання гучності/пошуку станцій/вибору, щоб увійти до списку станцій.
4. Обертайте ручку регулювання гучності/пошуку станцій/вибору, щоб переглянути список доступних станцій Натисніть ручку, щоб обрати станцію.
5. Налаштуйте необхідний рівень гучності, повернувши ручку регулювання гучності/пошуку станцій/вибору.

### РЕЖИМИ ДИСПЛЕЯ – DAB

У радіоприймачі є низка опцій дисплея для режиму DAB:

Натискайте кнопку інформації для циклічного вибору різних опцій під переліченими нижче літерами (a-g).

- |                                       |   |
|---------------------------------------|---|
| a. Назва станції                      | Відображається назва станції, яку Ви слухаєте.  |
| b. Тип програми                       | Відображається тип станції, яку Ви слухаєте. Наприклад, поп-музика, класична музика, новини тощо. |
| c. Назва мультіплексора               | Відображається назва мультіплексора DAB, до якого належить поточна станція.                       |
| d. Час і дата                         | Відображається поточний час і дата.   |
| e. Частота і канал                    | Відображається частота і номер каналу поточної налаштованої станції DAB.                          |
| f. Швидкість передачі даних/тип аудіо | Відображається швидкість передачі цифрового аудіо і тип аудіо поточної налаштованої станції DAB.  |
| g. Рівень сигналу                     | Відображається інтенсивність сигналу поточної налаштованої станції DAB.                           |

### ПОШУК НОВИХ СТАНЦІЙ – DAB

Час від часу можуть ставати доступними нові

радіостанції DAB. Або ж Ви можете переїжджати до іншої частини країни. У цьому випадку Вам потрібно настроїти свій радіоприймач на пошук нових станцій шляхом сканування.

Щоб радіоприймач міг знайти доступні станції, рекомендується провести повне сканування частот діапазону Band III DAB.

1. Натисніть кнопку автоматичного пошуку радіостанцій.
2. Радіоприймач проводить повне сканування частот DAB. Коли знаходиться нова станція, з лівого боку дисплея збільшується лічильник станцій, і ця станція додається до списку.

### РУЧНИЙ ПОШУК СТАНЦІЙ – DAB

Ручний пошук станцій дає Вам змогу налаштувати радіоприймач на певну частоту DAB у діапазоні Band III. Цю функцію також можна використовувати для правильної орієнтації антени чи самого радіоприймача задля оптимізації приймання конкретного каналу чи частоти.

1. Натисніть кнопку розширених налаштувань і обертайте ручку регулювання гучності/пошуку станцій/вибору, поки на екрані не з'явиться “Ручний пошук станцій”. Натисніть ручку регулювання гучності/пошуку станцій/вибору, щоб увійти до режиму ручного пошуку станцій.
2. Обертайте ручку регулювання гучності/пошуку станцій/вибору, щоб обрати необхідний DAB- канал. Натисніть ручку регулювання гучності/пошуку станцій/вибору, щоб підтвердити обрану частоту.

### НАЛАШТУВАННЯ ПОРЯДКУ СТАНЦІЙ – DAB

Радіоприймач передбачає 3 доступні для вибору налаштування порядку станцій. Цими варіантами налаштування порядку станцій є такі: літерно-цифровий, груповий і за доступністю.

1. Натисніть кнопку розширених налаштувань.
2. Обертайте ручку регулювання гучності/пошуку станцій/вибору, поки на дисплеї не з'явиться “Порядок станцій”, потім натисніть ручку регулювання гучності/пошуку станцій/вибору, щоб перейти до налаштування.
3. Обертайте ручку регулювання гучності/пошуку станцій/вибору, щоб обрати необхідні опції, і натисніть ручку регулювання гучності/пошуку станцій/вибору, щоб підтвердити налаштування.

Літерно-цифровий

Список станцій сортується за цифрами 0...9 і літерами A...Z

Груповий

Список станцій організується мультіплексором DAB

За доступністю

Відображаються лише ті станції, сигнал яких радіоприймач може знайти

## РЕГУЛЮВАННЯ ДИНАМІЧНОГО ДІАПАЗОНУ (DRC) – DAB

Функція DRC може полегшити сприйняття тихих звуків, коли радіоприймач використовується у шумному середовищі, шляхом зменшення динамічного діапазону звукового сигналу. Існують три рівні стиснення:

DRC 0	Стиснення не застосовується.
DRC 1/2	Застосовується середнє стиснення.
DRC 1	Застосовується максимальне стиснення.

1. Натисніть кнопку живлення, щоб увімкнути радіоприймач.
2. Натисніть кнопку діапазону, щоб обрати діапазон DAB.
3. Натисніть кнопку розширених налаштувань і обертайте ручку регулювання гучності/пошуку станцій/вибору, поки на екрані не з'явиться "Величина DRC". Натисніть ручку регулювання гучності/пошуку станцій/вибору, щоб перейти до налаштування. На екрані з'явиться поточна величина DRC.
4. Обертайте ручку регулювання гучності/пошуку станцій/вибору, щоб обрати необхідне налаштування DRC.
5. Натисніть ручку регулювання гучності/пошуку станцій/вибору, щоб підтвердити налаштування.

## СКАНУВАННЯ СТАНЦІЙ – FM

1. Натисніть на кнопку живлення, щоб увімкнути радіоприймач.
2. Виберіть потрібний діапазон хвиль, натиснувши на кнопку діапазону. Переконайтеся, що була встановлена гнучка стрижнева антена для забезпечення найкращого прийому FM-радіостанцій. Намагайтеся не використовувати радіоприймач поблизу екрана комп'ютера та іншого обладнання, яке може створювати перешкоди радіоприйому.
3. Натисніть кнопку автоматичного пошуку радіостанцій; радіоприймач розпочне пошук радіостанцій і автоматично припинить його, коли радіостанцію буде знайдено. Радіоприймач продовжуватиме пошук наступної доступної станції, поки оператор не натисне кнопку автоматичного пошуку радіостанцій, щоб припинити сканування.
4. Для одержання потрібного рівня звуку поверніть ручку регулювання гучності/пошуку станцій/вибору. На РК-дисплеї будуть відображені зміни рівня звуку.
5. Щоб вимкнути радіоприймач, натисніть на кнопку живлення.

## ЗОНА СКАНУВАННЯ FM

При використанні режиму FM радіоприймач можна встановити на сканування місцевих станцій або на сканування всіх станцій, у тому числі віддалених.

1. Натисніть на кнопку живлення, щоб увімкнути радіоприймач.
2. Натисніть кнопку "Група", щоб вибрати FM-діапазон.
3. Натисніть кнопку "Додаткові налаштування", а потім поверніть регулятор гучності/налаштування/вибору, доки на дисплеї не з'явиться «Зона FM-сканування». Натисніть кнопку гучності/налаштування/вибору, щоб ввести налаштування.
4. Поверніть регулятор гучності/налаштування/вибору для перемикання між параметрами «Локальні» (тільки сильні станції) і «Дистанційні» (всі станції) у нижньому рядку дисплея. Опція «Дистанційні» дозволяє радіо знаходити слабкі сигнали при скануванні.
5. Натисніть регулятор гучності/налаштування/вибору, щоб підтвердити свій вибір. Локальні або дистанційні налаштування зберігаються в радіо і діють до тих пір, поки їх не буде змінено або до скидання системних налаштувань.

## РУЧНИЙ ПОШУК СТАНЦІЙ – FM

1. Натисніть на кнопку живлення, щоб увімкнути радіоприймач.
  2. Натисніть кнопку діапазону, щоб обрати необхідний діапазон хвиль. Відрегулюйте антену, як описано вище.
  3. Поворот ручки регулювання гучності/пошуку станцій/вибору змінює частоту з таким кроком: FM: 50 кГц
- Примітка:**  
Щоб знайти потрібну станцію за допомогою ручки регулювання гучності/пошуку станцій/вибору, натисніть ручку регулювання гучності/пошуку станцій/вибору, щоб перейти до режиму управління пошуком.
4. Продовжуйте повертати ручку регулювання гучності/пошуку станцій/вибору, поки на дисплеї не з'явиться потрібна частота.
  5. Для одержання потрібного рівня звуку поверніть ручку регулювання гучності/пошуку станцій/вибору.
  6. Щоб вимкнути радіоприймач, натисніть на кнопку живлення.

## РЕЖИМИ ДИСПЛЕЯ – FM (RDS)

У радіоприймачі є низка опцій дисплея для режиму FM-радіо.

Повторно натискайте кнопку «Інформація», щоб переглянути інформацію про RDS (система радіоданих) станції, яку ви прослуховуєте.

- a. Станція поточної програми Відображається назва станції, яку Ви слухаєте.
- b. Частота Відображається частота FM-сигналу.

- c. Радіотекст           Відображаються радіотекстові повідомлення, такі як нові теми тощо.
- d. Тип програми       Відображається тип станції, яку Ви слухаєте, наприклад поп-музика, класична музика, новини тощо.
- e. Час і дата           Відображається поточний час і дата.

## ЗБЕРЕЖЕННЯ ЗАДАНИХ СТАНЦІЙ В ПАМ'ЯТІ (DAB I FM)

Для кожного діапазону хвиль можна запам'ятати 5 станцій.

1. Натисніть на кнопку живлення, щоб увімкнути радіоприймач.
2. Знайдіть необхідну станцію одним із описаних вище способів.
3. Натисніть і утримуйте необхідну кнопку попередньо заданої станції, поки на екрані не з'явиться номер попередньо заданої станції, наприклад "P2 Збережено". Відбувається збереження станції під обраною кнопкою попередньо заданої станції.
4. Повторіть цю процедуру для інших станцій.
5. На місці збережених в пам'яті станцій можна записати нові, використовуючи описану вище процедуру.

## ВИКЛИК СТАНЦІЙ, ЩО ЗБЕРІГАЮТЬСЯ В ПАМ'ЯТІ (DAB I FM)

1. Натисніть на кнопку живлення, щоб увімкнути радіоприймач.
2. Натисніть кнопку діапазону, щоб обрати необхідний діапазон хвиль.
3. Короткочасно натисніть потрібну кнопку попередньо заданої станції. На дисплеї з'явиться номер попередньої заданої станції і її частота.

## ПРОСЛУХОВУВАННЯ МУЗИКИ ЗА ДОПОМОГОЮ ПОТОКОВОГО ПЕРЕДАВАННЯ ЧЕРЕЗ БЛЮТУЗ

Слід з'єднати ваш блютуз-пристрій із радіо, перш ніж Ви зможете автоматично переходити до відтворення/ стриму блютуз-музики за допомогою радіо. З'єднання встановлює «зв'язок», завдяки чому два пристрої можуть розпізнавати один одного.

### ПРИМІТКА:

Щоб поліпшити якість звуку, рекомендуємо встановити гучність на рівні понад дві третини на Вашому блютуз-пристрої, а потім відрегулювати гучність на радіо за

своїм бажанням.

## ПЕРШЕ З'ЄДНАННЯ ВАШОГО БЛЮТУЗ-ПРИСТРОЮ

1. Натисніть кнопку живлення, щоб увімкнути радіо. Натисніть кнопку "Група", щоб вибрати режим блютузу. Індикатор блютузу на кнопках "Попередній налаштувань" блимає синім, сигналізуючи, що радіо є доступним для знаходження.
2. Увімкніть блютуз на своєму пристрої відповідно до інструкції користувача пристрою для підключення до радіо. Знайдіть список блютуз-пристроїв і виберіть пристрій із назвою "DMR112". На деяких мобільних пристроях (що обладнані попередніми версіями, ніж блютуз-пристрій BT2.1) може знадобитися ввести код "0000".
3. Після підключення пролунає звук сигналу підтвердження, а індикатор блютузу на кнопках попередніх налаштувань загориться синім кольором. Ви можете просто вибрати і відтворити будь-яку музику з вашого пристрою-джерела. Рівень гучності можна налаштувати за допомогою пристрою-джерела або безпосередньо з радіо.
4. Використовуйте елементи керування на пристрої із підтримкою блютузу або на радіо для відтворення/ паузи та пошуку треків.

### ПРИМІТКА:

1. Якщо під час першого підключення два блютуз-пристрої одночасно знайдуть радіоприймач, він покаже свою доступність на обох пристроях. Однак, якщо один пристрій першим з'єднається з цим приймачем, інший блютуз-пристрій не знайде його в списку.
2. Якщо Ваш блютуз-пристрій тимчасово відключений від радіо, необхідно його знову підключити.
3. Якщо в списку блютуз-пристроїв відображається «DMR112», але Ваш пристрій не може підключитися до нього, видаліть елемент зі списку і знову підключіть пристрій до радіо, виконуючи інструкції, описані вище.
4. Оптимальний діапазон поточної передачі блютузу становить близько 10 метрів (30 футів) до приймача (в межах видимості), але можлива відстань і до 30 метрів (100 футів).
5. Якщо блютуз-з'єднання втрачено через перевищення оптимальної відстані або часу роз'єднання, перешкод або з іншої причини, може знадобитися повторне підключення Вашого пристрою до радіо.
6. Фізичні перешкоди, інші бездротові пристрої або електромагнітні пристрої можуть вплинути на якість з'єднання.
7. Ефективність блютуз-з'єднання може варіюватися в залежності від підключених блютуз-пристроїв.

Перш ніж підключитися до радіо, перевірте функції блютузу Вашого пристрою. Не всі функції можуть підтримуватися на деяких підключених блютуз-пристроях.

## ВІДТВОРЕННЯ АУДИОФАЙЛІВ У РЕЖИМІ БЛЮТУЗУ

Якщо Ви успішно підключили радіо до обраного блютуз-пристрою, Ви можете почати відтворювати музику за допомогою елементів керування на підключеному блютуз-пристрої.

1. Після початку відтворення налаштувати гучність до потрібного рівня можна за допомогою регулятора гучності на радіо або на активному блютуз-пристрої.
2. Використовуйте елементи керування пристроєм для відтворення/паузи та навігації по треках.

### ПРИМІТКА:

1. Не всі прикладні програми або пристрої можуть реагувати на всі ці елементи керування.
2. Деякі мобільні телефони можуть тимчасово відключитися від радіо, коли Ви робите або отримуєте дзвінки. Деякі пристрої можуть тимчасово вимкнути потокове передавання блютуз-звуку, коли вони отримують текстові повідомлення, електронні листи або з інших причин, не пов'язаних зі звуком. Така поведінка є функцією підключеного пристрою та не вказує на несправність радіо.

## ВІДТВОРЕННЯ З ПОПЕРЕДНЬОГО БЛЮТУЗ-ПРИСТРОЮ

Радіо здатне запам'ятати до 8 налаштувань з'єднаних пристроїв; якщо обсяг пам'яті досягає цієї кількості, найстаріший запис буде знищено та замінено новим. Якщо Ваш блютуз-пристрій вже було з'єднано із радіоприймачем, він запам'ятає Ваш блютуз-пристрій та намагатиметься відновити з'єднання із тим пристроєм, який було підключено востаннє. Якщо останній пристрій недоступний, радіо стане видимим і доступним для з'єднання.

## ВІДКЛЮЧЕННЯ ВАШОГО БЛЮТУЗ-ПРИСТРОЮ

Натисніть та утримуйте кнопку з'єднання блютузу протягом 2-3 секунд, щоб від'єднатися від Вашого блютуз-пристрою. Блютуз-індикатор на кнопках попередніх налаштувань буде миготіти синім кольором, це свідчить про те, що радіо знову готове для з'єднання.

## ГНІЗДО АУКСІАЛЬНОГО ВХОДУ

Пристрій має два стереовходи 3,5 мм. Один розташований попереду (AUX IN 1); інший

розташований на відсіку для акумулятора (AUX IN 2).

1. Поєднайте зовнішнє аудіоджерело (наприклад, iPod, MP3 або CD-плеєр) до ауксіального гнізда за допомогою аудіошнуру.
2. По черзі натискайте та відпускайте кнопку "Група", поки на дисплеї не з'явиться напис "AUX IN 1" або "AUX IN 2", після цього активується ауксіальна функція.
3. Щоб мати кращу якість звуку, радимо обирати налаштування гучності на рівень більше двох третин на Вашому аудіопристрою, а потім регулювати рівень гучності на радіо за Вашим бажанням.

### ПРИМІТКА:

Аудіошнур не входить до стандартної комплектації.

## МНОЖИННІ УСТАНОВКИ

### ВИБІР МОВИ

У радіоприймачі доступні такі вісім мов:

англійська, німецька, італійська, французька, нідерландська, данська, норвезька і спанська.

1. Натисніть кнопку розширених налаштувань.
2. Обертайте ручку регулювання гучності/пошуку станцій/вибору, поки на дисплеї не з'явиться "Мова". Натисніть ручку регулювання гучності/пошуку станцій/вибору, щоб перейти до налаштування.
3. Для вибору потрібної мови поверніть ручку регулювання гучності/пошуку станцій/вибору. Натисніть ручку регулювання гучності/пошуку станцій/вибору, щоб підтвердити налаштування.

### РЕГУЛЮВАННЯ ЯСКРАВОСТІ

Підсвітлювання кнопок можна регулювати.

1. Натисніть кнопку розширених налаштувань.
2. Поверніть ручку Гучність/Налаштування/Вибір, поки на дисплеї не з'явиться напис "Підсвітлювання кнопок". Натисніть на кнопку Гучність/Налаштування/Вибір для входу до налаштувань.
3. Поверніть ручку Гучність/Налаштування/Вибір, щоб вибрати "Увімк" або "Вимк" та активувати або деактивувати функцію підсвітлювання кнопок, після чого натисніть кнопку Гучність/Налаштування/Вибір для підтвердження налаштування.

### ПЕРЕЗАПУСК СИСТЕМИ

Якщо радіоприймач не працює належним чином або якщо на дисплеї відсутні або не повністю відображаються деякі цифри, виконайте описану нижче процедуру.

1. Натисніть кнопку розширених налаштувань.
2. Обертайте ручку регулювання гучності/пошуку станцій/вибору, поки на дисплеї не з'явиться "Повернення до заводських налаштувань". Натисніть ручку регулювання гучності/пошуку станцій/вибору,

щоб перейти до налаштування.

3. Поверніть ручку регулювання гучності/пошуку станцій/вибору, щоб вибрати "Так". Натисніть ручку регулювання гучності/пошуку станцій/вибору, щоб підтвердити налаштування; після цього відбудеться повне скидання налаштувань до заводських налаштувань.

## ВЕРСІЯ ПРОГРАМНОГО ЗАБЕЗПЕЧЕННЯ

1. Натисніть кнопку розширених налаштувань.
2. Обертайте ручку регулювання гучності/пошуку станцій/вибору, поки на дисплеї не з'явиться "Версія ПЗ". Натисніть ручку регулювання гучності/пошуку станцій/вибору, щоб дізнатися, яку версію програмного забезпечення встановлено на радіоприймачі.

## MICRO USB-ПОРТ ДЛЯ ОНОВЛЕННЯ ПРОГРАМНОГО ЗАБЕЗПЕЧЕННЯ

У майбутньому для радіоприймача можуть бути доступними оновлення програмного забезпечення. У разі появи оновлення програмного забезпечення програмне забезпечення та інформацію про процедуру оновлення радіоприймача можна знайти на веб-сайті компанії Makita.

## ТЕХНІЧНЕ ОБСЛУГОВУВАННЯ

### **⚠ ЗАСТЕРЕЖЕННЯ:**

Ніколи не використовуйте газолін, бензин, розріджувач, спирт та подібні речовини. Їх використання може призвести до зміни кольору, деформації та появи тріщин.

## ТЕХНІЧНІ ХАРАКТЕРИСТИКИ

Вимоги до живлення	
Адаптер змінного струму	12 В постійного струму/1,2А, центральний вивід позитивний
Акумулятор	Гніздовий акумулятор: 7,2 В – 10,8 В Висувний акумулятор: 10,8 В – 18 В
Діапазон частот	FM 87,50 - 108 MHz DAB/DAB+ 174,928-239,200 MHz
DAB/DAB+ Блокування каналу	DAB (Band III) 5A-13F
Сумісний стандарт	DAB/DAB+

Bluetooth® (Логотипи та словесна торговельна марка Bluetooth® є зареєстрованими торговельними марками компанії Bluetooth SIG, Inc.)	
Версія Bluetooth	4,0
Профілі Bluetooth	A2DP/SCMS-T
Потужність передачі	Клас міцності 2
Радіус передачі	Опт.відстань: Макс.10 м (33 фути) Можливо: Макс. 30 м (100 футів) (залежить від умов використання)
Підтримуваний кодек	SBC,AAC
Сумісний профіль Bluetooth	A2DP
Максимальна потужність радіочастоти:	BT EDR: 3,12dBm BT LE: 2,31dBm
Робоча частота	2402MHz~2480MHz

Особливості конструкції	
Динамік	3,5" 32 Ом x 2 шт.
Вихідна потужність	7,2 В: 0,6 ВтX 2 12 В макс.: 1,7 ВтX 2 14,4 В: 3 ВтX 2 18 В: 4,9 ВтX 2
Вхідне гніздо	Діам. 3,5 мм (AUX IN1/AUX IN2)
Антенa	DAB/FM: гнучка стрижнева антенa
Розміри (Д x Ш x В)	282 x 163 x 294 mm
Вага	4,3кг (без акумулятора)



**Makita Europe N.V.** Jan-Baptist Vinkstraat 2,  
3070 Kortenberg, Belgium

**Makita Corporation** 3-11-8, Sumiyoshi-cho,  
Anjo, Aichi 446-8502 Japan

3A81cP5Z70000  
DMR112-AT8-1804

[www.makita.com](http://www.makita.com)

SJN