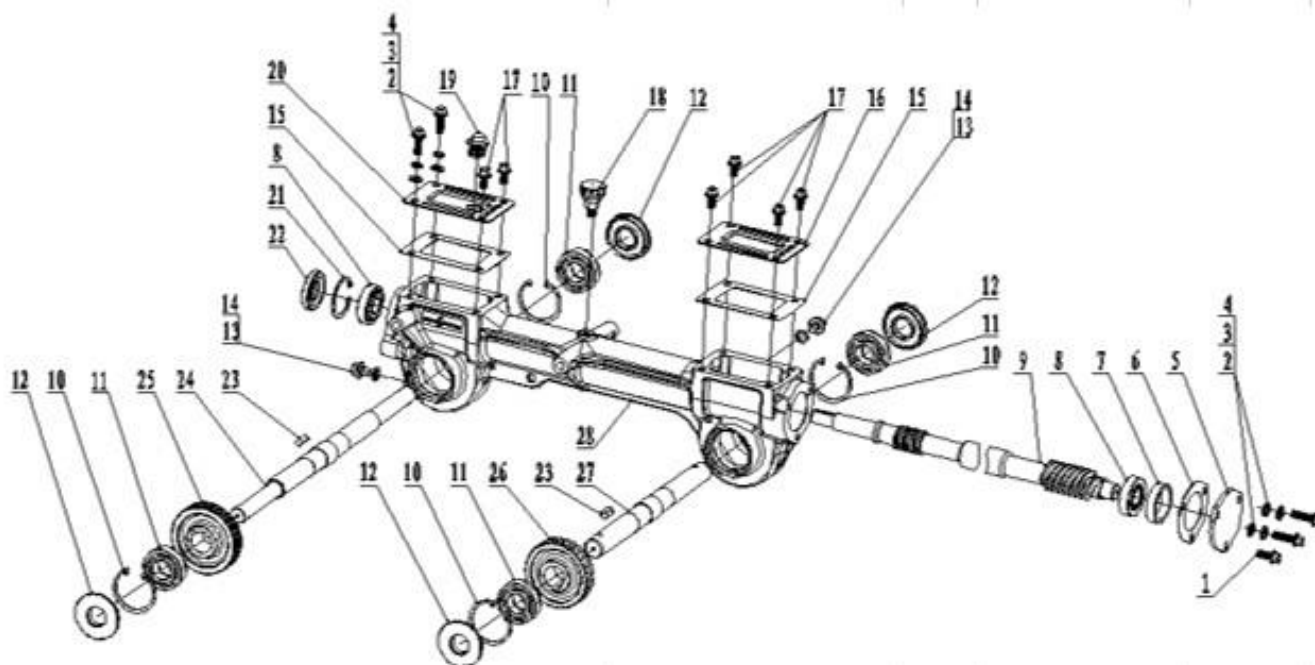


## Documentatie tehnica motocultor 5800r

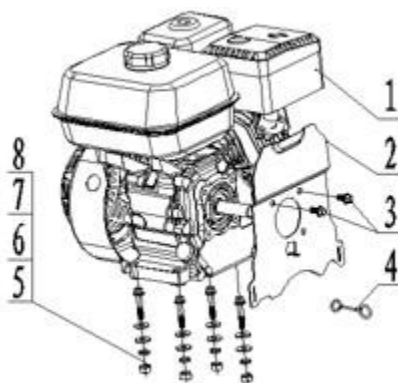


Nr.crt	Denumire produs	Product name	Cod comanda
1	surub m8x1.25x20	BOLT M8*1.25*20	ps5800r-1-1
2	surub m8x1.25x25	BOLT M8*1.25*25	ps5800r-1-2
3	saiba grower 8x2.1	SPRING WASHER 8*2.1	ps5800r-1-3
4	saiba 8x2.1	FLAT GASKET 8*1.6	ps5800r-1-4
5	capac	DUST GUARD	ps5800r-1-5
6	garnitura	CUSHION	ps5800r-1-6
7	bucsa 38.3x46.8x9.3	BUSHING $\phi 38.3 * \phi 46.8 * 9.3$	ps5800r-1-7
8	rulment 20x47	BEARING $\phi 20 * \phi 47$	ps5800r-1-8
9	arbore	ENDLESS SCREW/SHAFT	ps5800r-1-9
10	siguranta	SHAFT END RETAINER 52*2	ps5800r-1-10
11	rulment 25x52x9	BEARING $\phi 25 * \phi 52 * 15$	ps5800r-1-11
12	simering 25x52x9	OIL SEAL 1 $\phi 25 \times \phi 52 \times 9$	ps5800r-1-12
13	surub m10x1.25x12	BOLT M10*1.25*12	ps5800r-1-13
14	saiba 10	ALUMINUM PAD $\phi 10$	ps5800r-1-14
15	garnitura	CUSHION	ps5800r-1-15
16	capac	GEARBOX COVER	ps5800r-1-16
17	surub m8x1.25x16	BOLT M8*1.25*16	ps5800r-1-17
18	ansamblu joja	EXHAUST CHAMBER OIL CUP ASSEMBLY	ps5800r-1-18

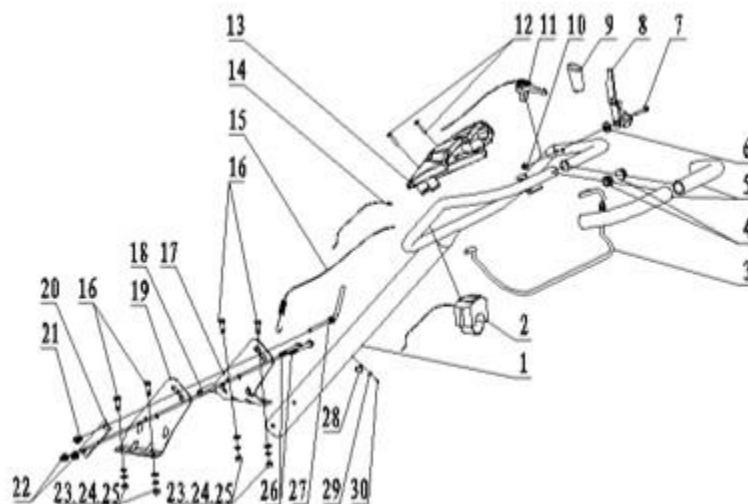
## Producător motoutilaje

## Documentatie tehnică

19	buson ulei	OIL PLUG	ps5800r-1-19
20	capac	GEARBOX COVER	ps5800r-1-20
21	siguranta 47x1.5	SHAFT END RETAINER 47*1.5	ps5800r-1-21
22	simering 20x47x7	OIL SEAL $\phi 20*\phi 47*7$	ps5800r-1-22
23	pana 8x7x20	PARALLEL KEY 8*7*20	ps5800r-1-23
24	arbore 20	UNIAXIAL2- $\phi 20$	ps5800r-1-24
25	roata dintata	ENDLESS SCREW GEAR WORM, TILLER TRACTION	ps5800r-1-25
26	roata dintata	ENDLESS SCREW GEAR WORM, TINES	ps5800r-1-26
27	arbore iesire	OUTPUT SHAFT	ps5800r-1-27
28	carcasa reductor	WALKING GEARBOX	ps5800r-1-28



Nr.crt	Denumire produs	Product name	Cod comanda
1	motor	ENGINE	ps5800r-2-1
2	protectie curea	BELT COVER PLATE	ps5800r-2-2
3	surub m8x1.25x16	BOLT4.1/M8*1.25*16	ps5800r-2-3
4	clema	WIRE CLIP	ps5800r-2-4
5	piulita m8x1.25	NUTM8*1.25	ps5800r-2-5
6	saiba grower 8x2.1	SPRING WASHER8*2.1	ps5800r-2-6
7	saiba 8x2	FLAT GASKET8*2	ps5800r-2-7
8	surub m8x1.25x40	BOLTM8*1.25*40	ps5800r-2-8

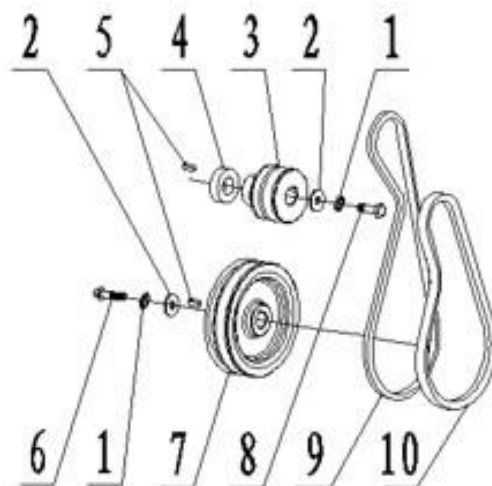


Nr.crt	Denumire produs	Product name	Cod comanda
1	coarne	HANDLE BAR	ps5800r-3-1
2	Intrerupator on/off	CLIP WIRE HAMESS (BOLT) $\phi$ 25mm	ps5800r-3-2
3	maneta ambreiaj	CLUTCH GEAR HANDLE	ps5800r-3-3
4	capac	GUN COVER' $\phi$ 15mm	ps5800r-3-4
5	manson	HANDLE GUN COVER $\phi$ 25mm	ps5800r-3-5
6	bucsa	BUSHING	ps5800r-3-6
7	surub m8x1x40	BOLT M6*1*40	ps5800r-3-7
8	maneta inversor	CLUTCH GEAR HANDLE	ps5800r-3-8
9	masnon	GUN COVER	ps5800r-3-9
10	piulita m6x1	NUT M6*1	ps5800r-3-10
11	maneta acceleratie	GOVERNOR SWITCH LINE	ps5800r-3-11
12	surub m6x1x30	SCREW M6*1*30	ps5800r-3-12
13	ornament	OVERLAY	ps5800r-3-13
14	cablu inversor	CLUTCH WIRE	ps5800r-3-14
15	cablu ambreiaj	CLUTCH WIRE	ps5800r-3-15
16	surub m8x1.25x25	BOLT M8*1.25*25	ps5800r-3-16
17	suport	ARMREST SEAT	ps5800r-3-17
18	bucsa 8.3x13.5x48	BUSHING $\phi$ 8.3* $\phi$ 13.5*48	ps5800r-3-18
19	suport	ARMREST SEAT	ps5800r-3-19
20	placa	HANDLE BAR PLATEN	ps5800r-3-20
21	piulita m8x1.25	NUT M8*1.25	ps5800r-3-21
22	piulita m8x1.25	NUT M8*1.25	ps5800r-3-22
23	piulita m8x1.25	NUT M8*1.25	ps5800r-3-23
24	saiba 8x1.6	FLAT GASKET 8*1.6	ps5800r-3-24

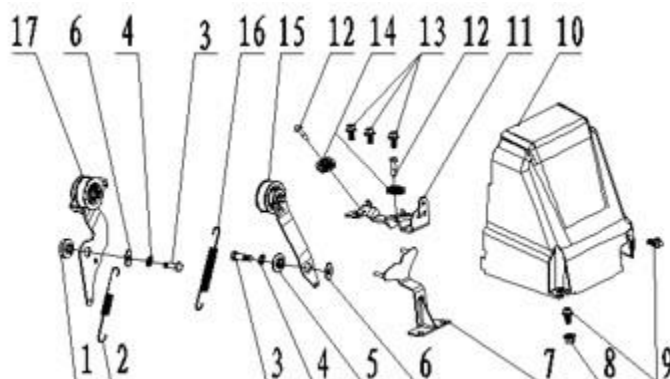
## Producător motoutilaje

## Documentatie tehnică

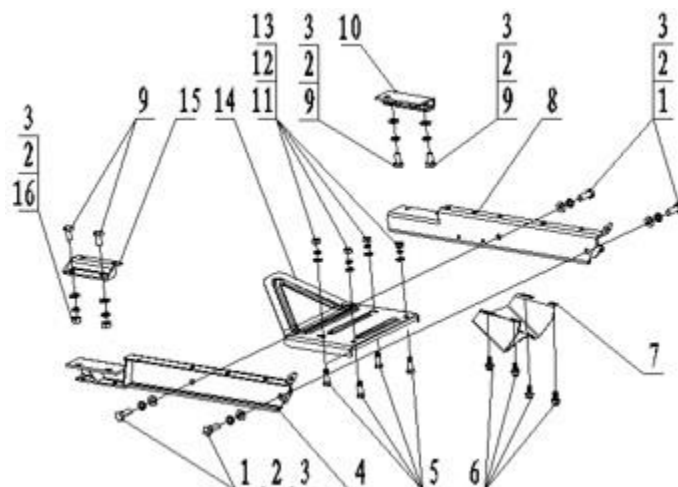
25	saiba grower 8x2.1	SPRING WASHER 8*2.1	ps5800r-3-25
26	surub m8x1.25x70	BOLT M8*1.25*70	ps5800r-3-26
27	clema	CLAMP HANDLE	ps5800r-3-27
28	clema	WIRE CLIP	ps5800r-3-28
29	saiba 5x1	FLAT GASKET 5*1	ps5800r-3-29
30	surub	SCREW ST4.8x16	ps5800r-3-30



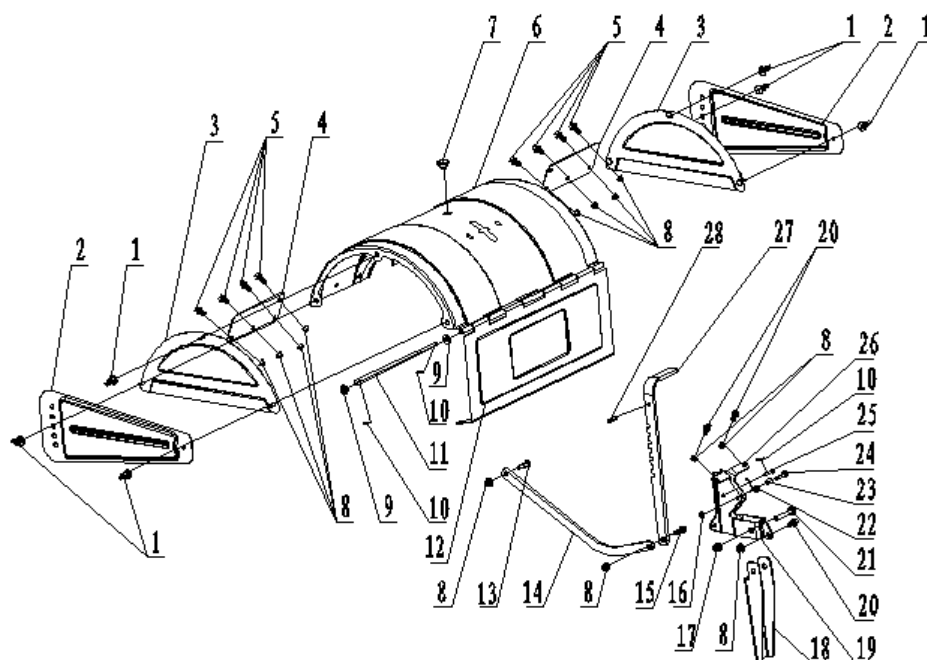
Nr.crt	Denumire produs	Product name	Cod comanda
1	saiba grower 8x2.1	SPRING WASHER 8*2.1	ps5800r-4-1
2	saiba 8x2	FLAT GASKET 8*2	ps5800r-4-2
3	fulie	DRIVING PULLEY	ps5800r-4-3
4	bucsa 20.5x26.8x11	BUSHING $\Phi 20.5 \times \Phi 26.8 \times 11$	ps5800r-4-4
5	pana 5x5x25	PARALLEL KEY 5*5*25	ps5800r-4-5
6	surub m8x1.25x25	BOLT M8*1.25*25	ps5800r-4-6
7	fulie	DRIVE PULLEY	ps5800r-4-7
8	surub 16x24x30	BOLY 16-24*30	ps5800r-4-8
9	curea 10x725	V BELT 10*725	ps5800r-4-9
10	curea 13x625	V BELT 13*625	ps5800r-4-10



Nr.crt	Denumire produs	Product name	Cod comanda
1	bucsa	BUSHING	ps5800r-5-1
2	arc	RESET SPRING	ps5800r-5-2
3	surub m8x1.25x25	BOLT M8*1.25*25	ps5800r-5-3
3a	surub m6x1x12	BOLT M6*1*12	ps5800r-5-3a
4	saiba grower 8x2.1	SPRING WASHER 8*2.1	ps5800r-5-4
5	bucsa	BUSHING	ps5800r-5-5
6	saiba 8X2	FLAT WASHER 8*2	ps5800r-5-6
7	suport capac curea	BELT COVER FRONT SUPPORT	ps5800r-5-7
8	piulita m8x1.25	NUT M8*1.25	ps5800r-5-8
9	surub m8x1.25x16	BOLT M8*1.25*16	ps5800r-5-9
10	capac curea	BELT COVER	ps5800r-5-10
11	suport intinzator	TENSIONER SUPPORT	ps5800r-5-11
12	surub m6x25	BOLT M6*25	ps5800r-5-12
13	surub	SCREW	ps5800r-5-13
14	rola	TENSIONING WHEEL	ps5800r-5-14
15	intinzator	TENSIONER	ps5800r-5-15
16	arc	RESET SPRING	ps5800r-5-16
17	intinzator	TENSIONER	ps5800r-5-17



Nr.crt	Denumire produs	Product name	Cod comanda
1	surub m10x1.5x25	BOLT M10*1.5*25	ps5800r-6-1
2	saiba grower 10x2.6	SPRING WASHER 10*2.6	ps5800r-6-2
3	saiba 10x2	FLAT GASKET 10*2	ps5800r-6-3
4	suport motor	ENGINE SUPPORT	ps5800r-6-4
5	surub m8x1.25x20	BOLT M8*1.25*20	ps5800r-6-5
6	surub m6x1x12	BOLT M6*1*12	ps5800r-6-6
7	capac curea	BELT COVER	ps5800r-6-7
8	suport motor	ENGINE SUPPORT	ps5800r-6-8
9	surub m10x1.5x25	BOLT M10*1.5*25	ps5800r-6-9
10	placa	ENGINE PLATE	ps5800r-6-10
11	piulita m8x1.25	NUT M8*1.25	ps5800r-6-11
12	saiba grower 8x2.1	SPRING WASHER 8*2.1	ps5800r-6-12
13	saiba 8x1.6	FLAT GASKET 8*1.6	ps5800r-6-13
14	placa fulie	DRIVING PULLEY PLATE	ps5800r-6-14
15	placa	ENGINE PLATE	ps5800r-6-15
16	piulita m10x1.5	NUT M10*1.5	ps5800r-6-16

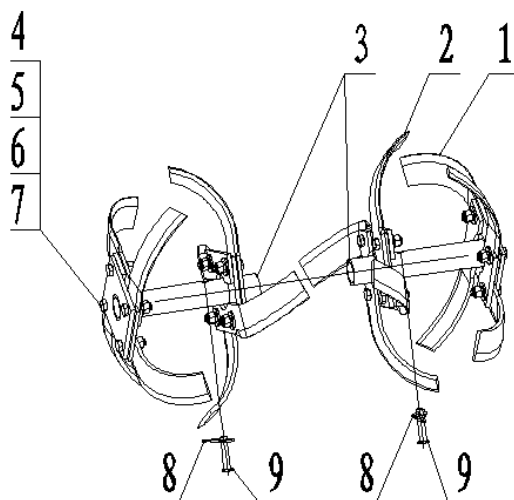


Nr.crt	Denumire produs	Product name	Cod comanda
1	Clema	CLAMP HANDLE	ps5800r-7-1
2	Aripa	FENDER	ps5800r-7-2
3	Protectie laterala	BASE PLATE SUPPORT	ps5800r-7-3
4	Placa	PRESSING PALTE	ps5800r-7-4
5	Surub M8*1.25*20	BOLT M8*1.25*20	ps5800r-7-5
6	Aripa	FENDER	ps5800r-7-6
7	Dop	RRUBBER PLUG	ps5800r-7-7
8	Piulita M8*1.25	NUT /M8*1.25	ps5800r-7-8
9	Garnitura	FLAT GASKET 8*1.6	ps5800r-7-9
10	Pin	R PIN $\Phi 2*9*38$	ps5800r-7-10
11	Bolt	NON STANDARD PIN	ps5800r-7-11
12	Aripa	FENFER	ps5800r-7-12
13	Surub M8*30	BOLT M8*30	ps5800r-7-13
14	Suport picior	RESISTANCE STICK	ps5800r-7-14
15	Surub M8*1.25*25	BOLT M8*1.25*25	ps5800r-7-15
16	Piulita M6*1	NUT M6*1	ps5800r-7-16
17	Piulita M10*1.5	NUT M10*1.5	ps5800r-7-17
18	Suport aripa spate	BACK FRAME , MUD DEFENDER	ps5800r-7-18
19	Suport aripa fata	FRONT FRAME, MUD DEFENDER	ps5800r-7-19
20	Piulita M8*1.25*16	BOLT M8*1.25*16	ps5800r-7-20
21	Piulita M10*1.5*55	BOLT M10*1.5*55	ps5800r-7-21
22	Arc	TORSIONAL SPRING	ps5800r-7-22
23	Bucsa $\Phi 6.5x\Phi 10.2x14$	BUSHING $\Phi 6.5x\Phi 10.2x14$	ps5800r-7-23

## Producător motoutilaje

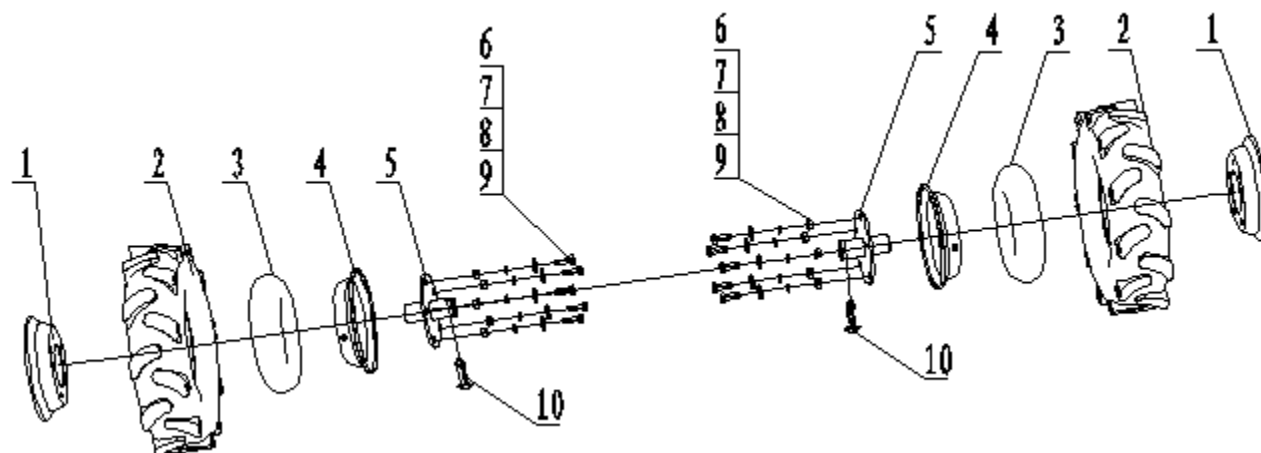
## Documentatie tehnică

24	Surub M6*1*30	BOLT M 6*1*30	ps5800r-7-24
25	Siguranta 6*28	PIN SPINDLE 6*28	ps5800r-7-25
26	Suport aripa fata	FRONT FRAME, MUD DEFENDER	ps5800r-7-26
27	Brat	RESISTANCE STICK	ps5800r-7-27
28	Pin $\Phi 6*30$	ROUND PIN $\Phi 6*30$	ps5800r-7-28



Nr.crt	Denumire produs	Product name	Cod comanda
1	Cutit stanga	LEFT BLADE	ps5800r-8-1
2	Cutit dreapta	RIGHT BLADE	ps5800r-8-2
3	Manicot	BLADE CYLINDER	ps5800r-8-3
4	Surub M8*1.25*30	BOLT M8*1.25*30	ps5800r-8-4
5	Garnitura 8*2	FLAT GASKET 8*2	ps5800r-8-5
6	Saiba grower 8*2.1	SPRING WASHER 8*2.1	ps5800r-8-6
7	Piulita M8*1.25	NUT M8*1.25	ps5800r-8-7
8	Siguranta $\Phi 2*9*38$	R PIN $\Phi 2*9*38$	ps5800r-8-8
9	Bolt 8*40	PIN AXIE 8*40	ps5800r-8-9
10	Ansamblu freza stanga	DRY BENT BALDE ASSY 2-4 (LEFT)	ps5800r-8-10
11	Ansamblu freza dreapta	DRY BENT BALDE ASSY 2-4 (RIGHT)	ps5800r-8-11





Nr.crt	Denumire produs	Product name	Cod comanda
1	Janta interioara	INNER HUB	ps5800r-9-1
2	Anvelopa 13X500-6	OUTER TYRE 13X500-6	ps5800r-9-2
3	Camera 13X500-6	INNER TYRE 13X500-6	ps5800r-9-3
4	Janta exterioara	OUTER HUB t=2mm	ps5800r-9-4
5	Manicot $\Phi 21$	WHEEL AXIE $\Phi 21$	ps5800r-9-5
6	Surub M8*1.25*25	BOLT M8*1.25*25	ps5800r-9-6
7	Garnitura 8*2	FLAT GASKET 8*2	ps5800r-9-7
8	Saiba grower 8*2.1	SPRING WASHER 8*2.1	ps5800r-9-8
9	Piulita M8*1.25	NUT M8*1.25	ps5800r-9-9
10	Bolt $\Phi 8$ mm	CLAMP PIN $\Phi 8$ mm	ps5800r-9-10