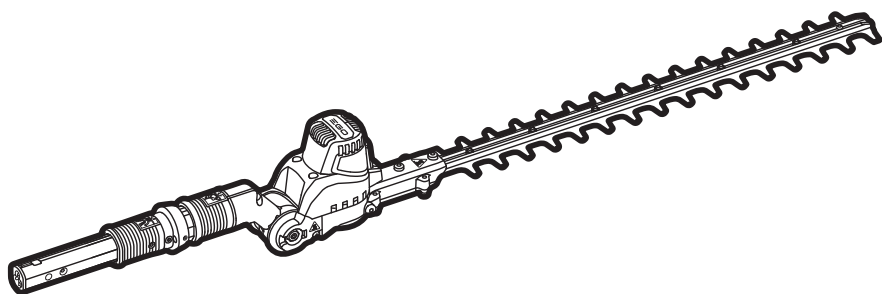


# EGO™

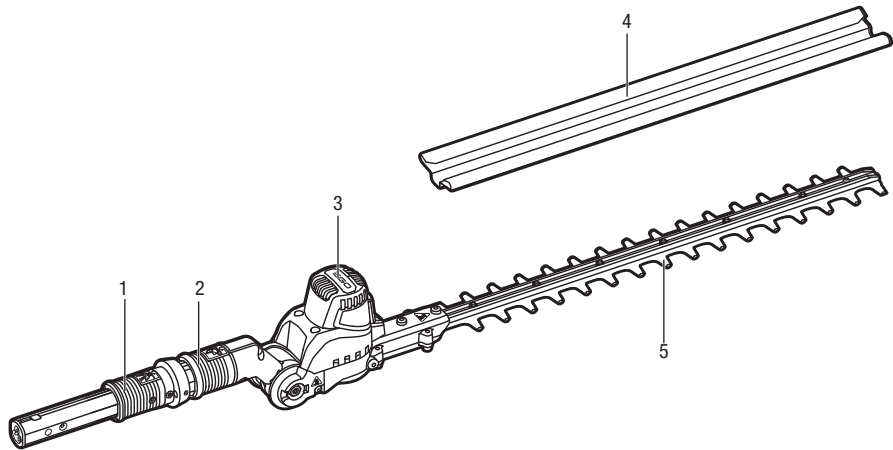
POWER+ TELESCOPIC POLE SERIES



OPERATOR'S MANUAL  
**HEDGE TRIMMER  
ATTACHMENT**  
MODEL NUMBER PTX5100

FOR USE ONLY WITH THE 56V LITHIUM-ION POWER POLE PPX1000

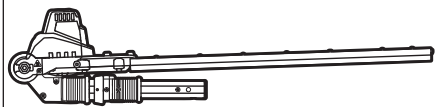
EN	56-Volt lithium-ion hedge trimmer attachment	5	LT	Gyvatvorių žirklių priedas su 56 voltų ličio jonų akumuliatoriumi	140
DE	Akku-Heckenscheren-Anbauwerkzeug (56 VOLT)	12	LV	56 voltu litija-jonu dzīvzogu apgriezējmašīnas palīgierīce	147
FR	Extension taille-haie lithium-ion 56 V	20	GR	Προσάρτημα ψαλιδιού μακροτύραρας ιόντων λιθίου 56 Volt	155
ES	Herramienta cortasetos de 56 voltios con batería de ion de litio	28	TR	56 Volt lityum-iyon git budama makinesi aksesuarı	163
PT	Corta-sebes com bateria de ião e lítio de 56 volts	36	ET	56-voldise liitiumioonakuga hekilõikuri tarvik	170
IT	Accessorio tagliasepi li-ion 56 volt	43	UK	56-вольтна літій-іонна насадка для підрізання живоплоти	177
NL	56 Volt lithium-ion accu heggenschaar toebehoor	50	BG	56 волта литиево-йонна приставка ножица за жив плет	185
DK	56 volt litium-ion ledningsfrit tilbehør til hækkeklipping	58	HR	Bežične škare za živicu s 56-voltnom litij-ionskom baterijom	193
SE	56-Volt litium-jon häcktrimmertillsats	65	KA	56 ვოლტის ლითონ-იონის აკუმულატორიანი ბუჩქის საკრეჭი მიმაგრება	200
FI	56 voltin litiumioniakullinen pensasleikkurilisäosa	72	SR	Dodatak trimera za živicu sa litijum-jonskom baterijom od 56 V	209
NO	56-volt litium-ion hekktrimmertilbehør	79	BS	Priključak makaza za živicu s litij-ionskom baterijom od 56 V	216
RU	56 voltos litium-ion sövénynyíró adapter	86	HE	גוזם גדרות אלחוטי עם איזיר וסוללת ליתיום- יון 56 וולט	223
PL	Końcówka nożyce do żywopłotu zasilana akumulatorem litowo-jonowym 56 woltów	94	AR	ملحق جزاء السياج ببطارية ليثيوم-أيون 56 فولت	230
CZ	56voltové lithiium-iontové akumulátorový nástavec plotových nůžek	102			
SK	56 V nástavec pre litium-iónové nožnice na živý plot	109			
HU	56 voltos litium-ion sövénynyíró adapter	117			
RO	Foarfece de tăiat gard viu cu acumulator de litiu ion de 56 Volți	125			
SL	Priključek s 56-voltni litij-ionskim obrezovalnikom žive meje	133			

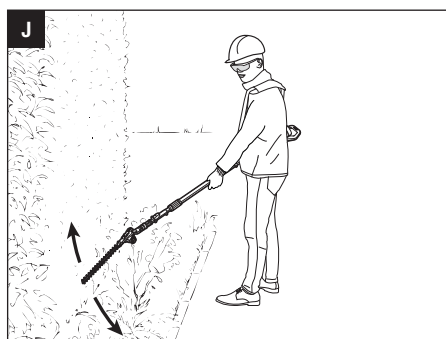
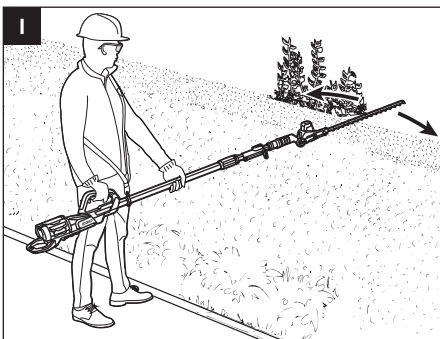
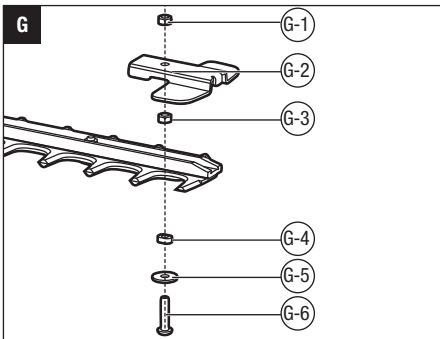
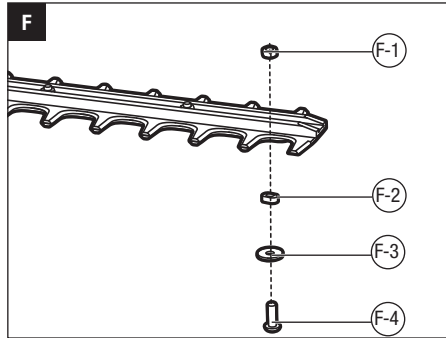
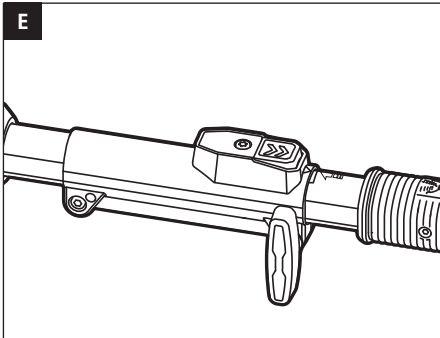
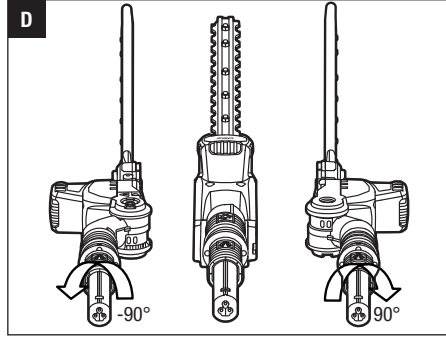
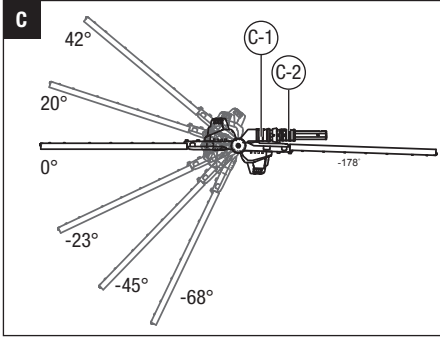
**A****A2**

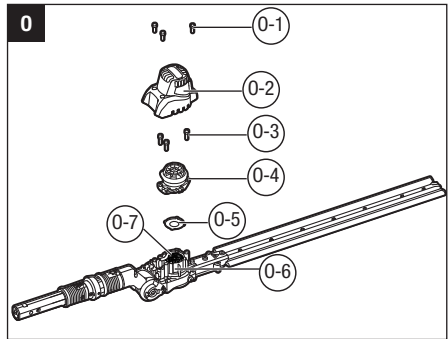
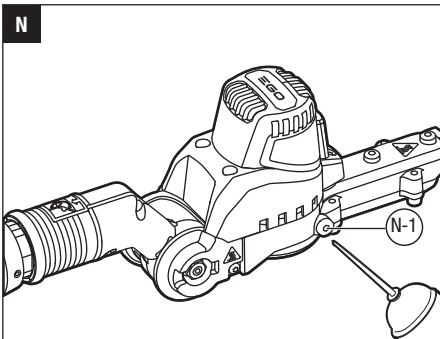
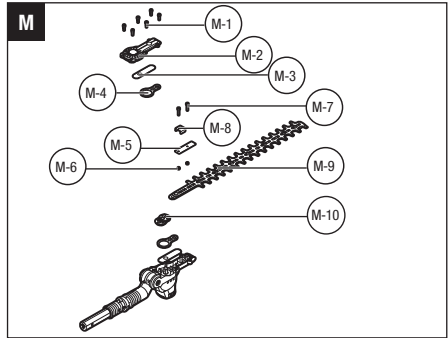
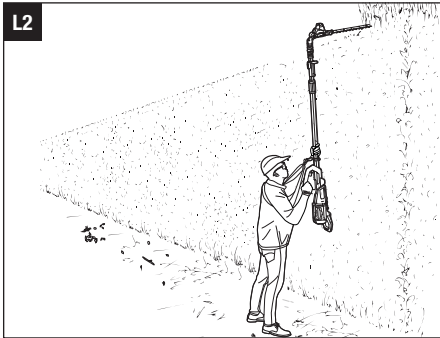
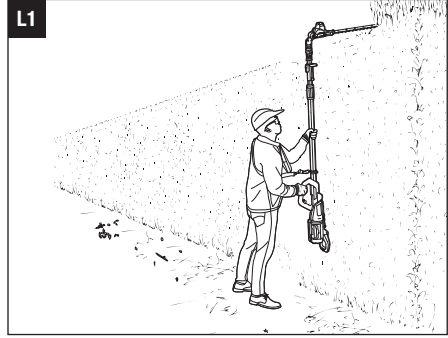
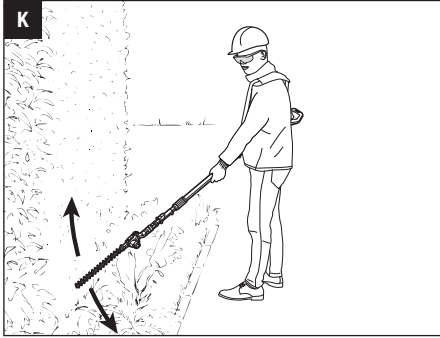
BA1400, BA2800, BA4200,  
BA1400T, BA2240T, BA2800T,  
BA4200T, BA5600T



CH2100E,  
CH5500E

**B**





## READ ALL INSTRUCTIONS!



### READ OPERATOR'S MANUAL

**⚠ Residual risk!** People with electronic devices, such as pacemakers, should consult their physician(s) before using this product. Operation of electrical equipment in close proximity to a heart pacemaker could cause interference or failure of the pacemaker.

**⚠ WARNING:** To ensure safety and reliability, all repairs and replacements should be performed by a qualified service technician.

## SAFETY SYMBOLS

The purpose of safety symbols is to attract your attention to possible dangers. The safety symbols and the explanations with them deserve your careful attention and understanding. The symbol warnings do not, by themselves, eliminate any danger. The instructions and warnings they give are no substitutes for proper accident prevention measures.

**⚠ WARNING:** Be sure to read and understand all safety instructions in this Operator's Manual, including all safety alert symbols such as **"DANGER," "WARNING,"** and **"CAUTION"** before using this tool. Failure to follow all instructions listed below may result in electric shock, fire, and/or serious personal injury.

## SYMBOL MEANING

**⚠ SAFETY ALERT SYMBOL:** Indicates **DANGER, WARNING, OR CAUTION.** May be used in conjunction with other symbols or pictographs.




**⚠ WARNING:** The operation of any power tools can result in foreign objects being thrown into your eyes, which can result in severe eye damage. Before beginning power tool operation, always wear safety goggles or safety glasses with side shields and a full face shield when needed. We recommend a Wide Vision Safety Mask for use over eyeglasses or standard safety glasses with side shields.

## SAFETY INSTRUCTIONS

This page depicts and describes safety symbols that may appear on this product. Read, understand, and follow all instructions on the machine before attempting to assemble and operate it.

	Safety Alert	Indicates a potential personal injury hazard.
	Read Operator's Manual	To reduce the risk of injury, user must read the operator's manual.
	Keep sufficient distance away from electrical power lines	To prevent electrocution, do not operate within 15m of overhead electrical lines. Contact with or use near power lines may cause serious injury or electric shock resulting in death.
	Noise	Guaranteed sound power level. Noise emission to the environment according to the European community's Directive.
	CE	This product is in accordance with applicable EC directives.
	WEEE	Waste electrical products should not be disposed of with household waste. Take to an authorized recycler.
	Keep hands and feet away from the cutting tool	Never attempt to operate your power tool with one hand. Loss of control of the power tool resulting in serious or fatal injury may result. To reduce the risk of cut injuries, keep hands and feet away from the cutting tool. Never attach a moving cutting tool with your hand or any other part of your body.
	Wear eye and head protection	Always wear eye and head protection when operating this product.
IPX5	IP Symbol	Protection against ingress of water degree 5
V	Volt	Voltage
mm	Millimeter	Length or size

cm	Centimeter	Length or size
kg	Kilogram	Weight
	Direct Current	Type or a characteristic of current

### HEDGE TRIMMER SAFETY WARNINGS

- **Keep all parts of the body away from the cutter blade. Do not remove cut material or hold material to be cut when blades are moving. Make sure the switch is off when clearing jammed material.** A moment of inattention while operating the hedge trimmer may result in serious personal injury.
- **Carry the hedge trimmer by the handle with the cutter blade stopped.** When transporting or storing the hedge trimmer always fit the cutting device cover. Proper handling of the hedge trimmer will reduce possible personal injury from the cutter blades.
- **When transporting or storing the hedge trimmer, always fit the blade cover.** Proper handling of the hedge trimmer will decrease the risk of personal injury from the blades.
- **When clearing jammed material or servicing the unit, make sure all power switches are off and the battery pack is removed or disconnected.** Unexpected actuation of the hedge trimmer while clearing jammed material or servicing may result in serious personal injury.
- **When clearing jammed material or servicing the unit, make sure all power switches are off and the lock-off is in the locked position.** Unexpected actuation of the hedge trimmer while clearing jammed material or servicing may result in serious personal injury.
- **Hold the hedge trimmer by insulated gripping surfaces only, because the blade may contact hidden wiring.** Blades contacting a "live" wire may make exposed metal parts of the hedge trimmer "live" and could give the operator an electric shock.
- **Keep all power cords and cables away from cutting area.** Power cords or cables may be hidden in hedges or bushes and can be accidentally cut by the blade.
- **Do not use the hedge trimmer in bad weather conditions, especially when there is a risk of lightning.** This decreases the risk of being struck by lightning.

### ADDITIONAL SAFETY INSTRUCTIONS FOR EXTENDED-REACH HEDGE TRIMMERS

- **To reduce the risk of electrocution, never use the extended-reach hedge trimmer near any electrical power lines.** Contact with or use near power lines may cause serious injury or electric shock resulting in death.
- **Always use two hands when operating the extended-reach hedge trimmer.** Hold the extended-

reach hedge trimmer with both hands to avoid loss of control.

- **Always use head protection when operating the extended-reach hedge trimmer overhead.** Falling debris can result in serious personal injury.
- **Check the hedge for foreign objects before operating, e.g. wire fences and hidden wiring.**
- **Hold the power tool by insulated gripping surfaces only.**
- The hedge trimmer is intended to be used by the operator at ground level and not on ladders or any other unstable support
- Use only with the battery packs and chargers listed in Fig.A2

### SAVE THESE INSTRUCTIONS

**ADDITIONAL SPECIFIC SAFETY RULES CAN BE FOUND IN THE APPLICABLE ATTACHMENT'S OPERATOR'S MANUAL.**

## SPECIFICATIONS

Blade Length	510 mm	
Cutting Capacity	26 mm	
Recommended Operating Temperature	-10°C-40°C	
Recommended Storage Temperature	-20°C-70°C	
Weight	2.67 kg	
Measured sound power level $L_{WA}$	93.75 dB(A) K=1.7 dB(A)	
Sound pressure level at operator's ear $L_{PA}$	83 dB(A) K=3 dB(A)	
Guaranteed sound power level $L_{WA}$ (measured according to 2000/14/EC)	95 dB(A)	
Valuation of vibration $a_h$	Front handle	1.3 m/s <sup>2</sup> K=1.5 m/s <sup>2</sup>
	Rear handle	1.5 m/s <sup>2</sup> K=1.5 m/s <sup>2</sup>

- The above parameters are tested and measured equipped with power pole PPX1000;
- The declared vibration total value has been measured in accordance with a standard test method and may be used for comparing one tool with another;
- The declared vibration total value may also be used in a preliminary assessment of exposure.

**NOTICE:** The vibration emission during actual use of the power tool can differ from the declared value in which the

tool is used; In order to protect the operator, user should wear gloves and ear protectors in the actual conditions of use.

## DESCRIPTION

### KNOW YOUR HEDGE TRIMMER ATTACHMENT (Fig. A1)

1. Rear Bushing
2. Front Bushing
3. Motor Housing
4. Blade Sheath
5. Blade

## PACKING LIST (A2)

## ASSEMBLY

**⚠ WARNING:** If any parts are damaged or missing, do not operate this product until the parts are replaced. Use of this product with damaged or missing parts could result in serious personal injury.

**⚠ WARNING:** Always remove the battery pack from the product when you are assembling parts, making adjustments, cleaning, or when the product is not in use.

### CUTTING HEAD ANGLE ADJUSTMENT

When the hedge trimmer attachment is taken out from the package, it has been folded in its storage position (Fig. B). The articulation angle and radial rotation of cutting head can be adjusted independently. Adjust the cutting head to a suitable working position before operation.

#### Articulation Angle Adjustment

There are six working positions. The angle of the cutting blade can be adjusted from -68° to 42° (Fig. C).

1. Pull back the front bushing, and then firmly hold the motor cover to rotate the cutting angle to the desired position.

C-1	Front Bushing
C-2	Rear Bushing

2. Once the desired angle is reached, push forward the bushing to lock the position of cutting head.

#### Radial Rotation Adjustment

There are two vertical cutting positions (Fig. D). It can be adjusted to the left or right 90°.

1. Pull back the rear bushing, and then firmly hold the motor cover to rotate the blade to the desired position.

2. Once the desired angle is reached, push forward the bushing to lock the position of cutting head.

**⚠ WARNING:** To reduce the risk of injury, remove the battery before making adjustments and make adjustments only when the blades are at a standstill. Never touch the blades while making adjustments.

**⚠ WARNING:** The casting alloy gear case is hot. Never touch the casting alloy gear case surface without wearing a PPE gloves.

### CONNECTING/REMOVING THE HEDGE TRIMMER ATTACHMENT TO THE TELESCOPIC POWER POLE (FIG.E)

This hedge trimmer attachment is designed for use with EGO telescopic power pole PPX1000.

See “INSTALLING AN ATTACHMENT TO THE TELESCOPIC POWER POLE” section in the telescopic power pole PPX1000 operator’s manual for connecting the hedge trimmer to the power pole.

See “REMOVING THE ATTACHMENT FROM THE TELESCOPIC POWER POLE” section in the telescopic power pole PPX1000 operator’s manual to remove the hedge trimmer from the power pole.

### MOUNTING THE TIP PROTECTOR (Optional)

1. Use a hex wrench (not included) to remove the short bolt, plain washer, bush and nut at the end of the cutting blade. Save the plain washer, bush and nut for reassembly (Fig. F).

F-1	Nut	F-3	Plain Washer
F-2	Bush	F-4	Short Bolt

2. Align the tip protector with the bulge on the cutting blade and mount it into place. Secure it with the new long bolt and nut as well as the saved washer, bush and nut (Fig. G).

G-1	Nut	G-4	Bush
G-2	Tip Protector	G-5	Plain Washer
G-3	Nut	G-6	Long Bolt

## OPERATION

**⚠ DANGER:** Never cut near power lines, electric cords, or other electric sources. If the cutting blades jam on any electrical cord or line, **DO NOT TOUCH THE BLADE OR THE ALUMINUM POLE! THEY CAN BECOME ELECTRICALLY LIVE AND MAY BE VERY DANGEROUS.** Continue to hold the hedge trimmer attachment by the insulated handle or lay it down and away from you in a safe manner. Disconnect the electrical service to the damaged

line or cord before attempting to free the blade from the line or cord. Contact with the blade, other conductive parts of the hedge trimmer attachment, or live electric cords or lines will result in death by electrocution or serious injury.

**⚠ WARNING:** Do not allow familiarity with this product to make you careless. Remember that a careless fraction of a second is sufficient to inflict serious injury.

**⚠ WARNING:** Always wear eye protection. Failure to do so could result in objects being thrown into your eyes and other possible serious injuries.

**⚠ WARNING:** Do not use any attachments or accessories not recommended by the manufacturer by EGO™. The use of attachments or accessories not recommended can result in serious personal injury.

## APPLICATIONS

You may use this product for trimming the hedges, shrubs, scrub, bushes and similar material with a branch diameter of less than Ø26 mm.

## USING THE HEDGE TRIMMER WITH TELESCOPIC POWER POLE

**⚠ WARNING:** Dress properly to reduce the risk of injury when operating this tool. Do not wear loose clothing or jewelry. Wear eye and ear/hearing protection. Wear heavy, long pants, boots, and gloves. Do not wear short pants or sandals or go barefoot.

### PREPARATION FOR CUTTING:

1. Adjust the cutting head to the desired working position.
2. Remove the blade sheath from the cutting blade.
3. For safe and better operation, put on the shoulder strap across the shoulder. Adjust the shoulder strap into a comfortable operating position. Following the instructions in the section **“MOUNTING THE SHOULDER STRAP”** in PPX1000 operator's manual to attach the shoulder strap onto the power pole.

**⚠ WARNING:** The shoulder strap is also a quick release mechanism in hazardous situation. When an emergency occurs, take it off your shoulder immediately, no matter what way the strap is in.

**⚠ WARNING:** Always use two hands when operating the extended-reach hedge trimmer. Hold the extended-reach hedge trimmer with both hands to avoid loss of control. Following the instructions in the section **“HOLDING THE TELESCOPIC POWER POLE”** in PPX1000 operator's manual

## WORKING TECHNIQUES

### Horizontal Cutting (with cutting head at an angle)

Cut close to the ground from a standing position, e.g. for trimming low shrubs.

Swing the cutting head right and left as you move along the hedge-use both sides of the blades and do not rest the cutter blade on the ground (Fig. I).

### Horizontal Cutting (with straight cutting head)

Hold the cutting head at an angle of 0° as you slowly swing the hedge trimmer horizontally. Swing the cutting head in an arc towards the outsides of the hedge so that the cuttings are swept to the ground (Fig. I).

**Recommendation:** Cut hedges that are no more than chest height in this working position.

### Vertical Cutting (cutting head at an angle)

Cutting without standing directly next to the hedge, e.g. flowerbed between operator and hedge.

In this cutting position, for your better control of the hedge trimmer, it is recommended that connect the hedge trimmer with the cutting head at the side cutting position.

Swing the cutting head up and down in an arc as you move along the hedge – use both sides of the cutting blade (Fig. J).

### Vertical Cutting (with straight cutting head)

Extra long reach without the need for other aids. Swing the cutting head up and down in an arc as you move along the hedge – use both sides of the cutting blade (Fig. K).

### Overhead Cutting (with cutting head at an angle)

Hold the hedge trimmer vertically and swing it in an arc to make maximum use of its reach (Fig. L1&L2). For extreme high hedge, the extension pole is suitable for aids in trimming.

**⚠ WARNING:** Any working position above head height is tiring. To minimize the risk of accidents, work in such positions for short periods only. Set angle of adjustable cutting head to maximum so that the tool can be held in a lower, less tiring position (with shoulder strap) while still providing adequate reach.

## TO START/STOP THE TOOL

See **“STARTING/STOPPING THE TELESCOPIC POWER POLE”** section in the power pole PPX1000 operator's manual.



## MAINTENANCE

**⚠ WARNING:** When servicing, use only identical replacement parts. Inspect and maintain the machine regularly. To ensure safety and reliability, all repairs should be performed by a qualified service technician.

**⚠ WARNING:** Before inspecting, cleaning or servicing the unit, stop the motor, wait for all moving parts to stop, and remove the battery pack. Failure to follow these instructions can result in serious personal injury or property damage.

**⚠ NOTICE:** Before each use, inspect the entire product for damaged, missing, or loose parts such as screws, nuts, bolts, caps, etc. Tighten securely all fasteners and caps and do not operate this product until all missing or damaged parts are replaced. Please contact customer service or a qualified service technician.

### GENERAL MAINTENANCE

Avoid using solvents when cleaning plastic parts. Most plastics are susceptible to damage from various types of commercial solvents and may be damaged by their use. Use clean cloths to remove dirt, dust, oil, grease, etc.

### CLEANING THE HEDGE TRIMMER ATTACHMENT

1. Stop the motor and remove the battery pack.
2. Clean dirt and debris from the hedge trimmer attachment using a damp cloth with a mild detergent.

**NOTICE:** Do not use any strong detergents on the plastic housing or the handle. They can be damaged by certain aromatic oils such as pine and lemon.

### STORING THE HEDGE TRIMMER ATTACHMENT

1. Stop the motor and remove the battery pack from the telescopic power pole.
2. Remove the hedge trimmer attachment from the telescopic power pole.
3. Clean all foreign material from the hedge trimmer attachment.
4. Store it in a place that is inaccessible to children.
5. Keep away from corrosive agents such as garden chemicals and deicing salts.

### REPLACING THE BLADE

**⚠ WARNING:** Always wear gloves when handling the blade; these components are very sharp and may contain burrs.

1. Switch off the tool and remove the battery pack.
2. Adjust the blade to the horizontal position, ensuring that the blade assembly is in line with the hedge trimmer shaft for easy mounting (Fig. M).

M-1	Screw 1# (short screws)	M-6	Bushing
M-2	Bottom Cover	M-7	Screw 2# (long screws)
M-3	Support Plate 3#	M-8	Support Plate 2#
M-4	Link Lever	M-9	Blade Assembly
M-5	Support Plate 1#	M-10	Eccentric Block

3. Use a hex wrench (not included) to loosen the 6 screws 1# (short screws) in the bottom cover and remove them.
4. Continue loosening the 2 screws 2# (long screws) to remove the support plate 1# & 2#, as well as the 2 bushings. The 2 bushings are separately located inside the two rounded rectangle slots in the blade assembly.
5. Remove the support plate 3#.
6. Carefully remove the link lever from the blade.
7. Remove the blade assembly from the tool and ensure that the eccentric block assembly position remains unchanged.
8. Align the inward bulge on the new blade assembly with the hole inside the link lever to install the new blade assembly into place.
9. Insert the two bushings into the two rounded rectangle separately.
10. Mount the support plate 1# and then mount the support plate 2#.
11. Keep the inside holes in the blade, the bushings, and the holes in the support plates in line with the screw holes in the gear case. Install the 2 long screws into the aligned holes and tighten them securely.
12. Slightly move the upper blade back and forth to check whether the blade can move freely. If not, reassemble the blades until the upper blade can move freely.
13. Install the link lever.
14. Align the hole of support plate 3 #with the bulge on the eccentric block to install the support plate into place, ensuring that the plate is exactly located in the center, parallel to both edges.
15. Mount the bottom cover onto the gear case and secure it with 6 short screws.

## LUBRICATING THE BLADE (Fig. N)

For best operation and longer blade life, lubricate the hedge trimmer blade with anti-rusting oil after each use. DO NOT FULLY FILL OIL HOLE WITH THE OIL.

1. Remove the oiling hole screw on the gear case by a hex wrench (not included).

N-1	Oiling Hole Screw
-----	-------------------

2. Inject 5g grease through the greasing hole to the gearcase.
3. Tighten the screw once finished.

## LUBRICATING THE DRIVE GEAR

For best operation and longer lifetime, lubricate the hedge trimmer attachment drive gear with a special grease every 100 hours operation.

The grease should meet the following requirements:

- NLGI Grade Penetration: NLGI-2;
- Thickener Type: Polyurea;
- Recommended Operating Temperature Range: -40°C to 180°C;
- Other than above, the grease should also be shear stable with exceptional pressure characteristics and excellent anti-wear property, and perfect oxidation stability.

Follow the steps below to fill with the grease:

1. Switch off the tool and remove the battery pack.
2. Use a hex wrench (not included) to loosen and remove 3 short screws (0-1) on the motor cover (0-2) and then detach the motor cover (Fig. O).

0-1	Short Screw	0-5	Washer
0-2	Motor Cover	0-6	Gear Case
0-3	Short Screw	0-7	Planet Gears
0-4	Motor		

3. Loosen the 3 short screws (0-3) on the motor and then detach the motor and the washer.
4. Use a grease gun (not included) to inject 5g grease at the center of the 3 upper planet gears (0-7) into the gear case.

**NOTE:** Ensure the position of other parts near the gear case remains unchanged during injection.

5. Reassemble the washer and the motor by tightening the 3 short screws (0-3).
6. Reassemble the motor cover by tightening the 3 short screws (0-1).

7. Start the tool to check whether it can work normally. If it does not, reassemble by following above steps.

**NOTE:** After removing the motor cover, clean up the sawdust around the motor.

## Protecting the environment



Do not dispose of electrical equipment, battery charger and batteries/ rechargeable batteries into household waste!

## TROUBLESHOOTING

EN

PROBLEM	CAUSE	SOLUTION
Hedge trimmer doesn't work.	<ul style="list-style-type: none"> <li>■ No electrical contact between the trimmer and battery.</li> <li>■ The battery pack is depleted.</li> <li>■ The battery pack or tool is over-temperature protection</li> <li>■ The blade is jammed.</li> </ul>	<ul style="list-style-type: none"> <li>■ Remove battery, check contacts and reattach the battery pack.</li> <li>■ Charge the battery pack.</li> <li>■ Allow the battery pack or power pole to cool until the temperature drops below 67°C.</li> <li>■ Remove the battery pack from the tool. Remove the obstruction carefully and then reinsert the battery and restart the tool.</li> </ul>
Excessive vibration or noise.	<ul style="list-style-type: none"> <li>■ Dry or corroded blades.</li> <li>■ Blades or blade support is bent.</li> <li>■ Bent or damaged teeth.</li> <li>■ Loose blade bolts.</li> </ul>	<ul style="list-style-type: none"> <li>■ Lubricate the blades.</li> <li>■ Replace with a new blade or support following the section "REPLACING THE BLADE" in this manual or contact EGO service center for replacement.</li> <li>■ Replace with a new blade following the section "REPLACING THE BLADE" in this manual or contact EGO service center for replacement.</li> <li>■ Tighten the blade bolts. Using a hex wrench (not included), turn the bolt clockwise to tighten.</li> </ul>

## WARRANTY

### EGO WARRANTY POLICY

Please visit the website [egopowerplus.com](http://egopowerplus.com) for full terms and conditions of the EGO Warranty policy.

DE



## LESEN SIE DIE BETRIEBSANLEITUNG

**⚠ Restrisiko!** Menschen mit elektronischen Geräten, wie z.B. Herzschrittmachern, sollten ihren Arzt konsultieren, bevor sie dieses Gerät verwenden. Die Bedienung von Elektrogeräten in unmittelbarer Nähe zu Herzschrittmachern kann zu Interferenzen und Störungen des Schrittmachers führen.

**⚠ WARNUNG:** Um die Sicherheit und Zuverlässigkeit zu gewährleisten, sollten alle Reparaturen und der Austausch von Teilen nur von qualifizierten Servicetechnikern durchgeführt werden.

## WARNSYMBOL

Der Zweck von Warnsymbolen besteht darin, Ihre Aufmerksamkeit auf mögliche Gefahren zu lenken. Die Warnsymbole und deren Erklärungen verdienen Ihre vollste Aufmerksamkeit und Beachtung. Durch die Warnsymbole allein sind die Gefahren noch nicht ausgeschaltet. Die Anweisungen und Warnhinweise stellen keinen Ersatz für angemessene Unfallverhütungsmaßnahmen dar.

**⚠ WARNUNG:** Vor der Benutzung des Geräts sollten Sie alle Sicherheitsanweisungen in dieser Bedienungsanleitung gelesen und verstanden haben, vor allem die Sicherheits- und Gefahrenzeichen wie „VORSICHT“, „WARNUNG“ und „ACHTUNG“. Die Nichtbeachtung aller aufgeführten Anweisungen kann zu Stromschlägen, Bränden und/oder schweren Verletzungen führen.

## SYMBOLBEDEUTUNG

**⚠ SICHERHEITSWARNSYMBOL:** Weist auf **GEFAHR, WARNUNG ODER VORSICHT** hin, es kann zusammen mit anderen Symbolen oder Bildern verwendet werden.



**⚠ WARNUNG:** Beim Betrieb von Elektrowerkzeugen besteht die Gefahr, dass Fremdkörper in Ihre Augen geschleudert werden und Sie dadurch schwerwiegende Augenschäden davontragen. Tragen Sie immer eine Schutzbrille, wenn möglich mit Seitenschutz, oder, falls nötig, einen vollen Gesichtsschutz, bevor Sie Arbeiten mit dem Elektrowerkzeug verrichten. Wir empfehlen Ihnen, einen Gesichtsschutz über Ihrer eigenen Brille oder eine herkömmliche Schutzbrille mit Seitenschutz zu tragen.

## SICHERHEITSHINWEISE

Auf dieser Seite werden die Warnsymbole vorgestellt und beschrieben, die sich unter Umständen an dem Gerät befinden. Alle Anweisungen am Gerät lesen, verstehen und befolgen, bevor das Gerät montiert und eingesetzt wird.

	Sicherheitswarnung	Weist auf mögliche Verletzungsgefahren hin.
	Bedienungsanleitung lesen	Um das Verletzungsrisiko zu verringern, muss der Benutzer die Bedienungsanleitung lesen.
	Halten Sie ausreichenden Abstand von elektrischen Leitungen	Arbeiten Sie zur Vorbeugung gegen Stromschlag in mindestens 15 m Abstand von Oberleitungen. Eine Verwendung des Gerätes in der Nähe von Stromleitungen oder eine Berührung solcher Leitungen kann zu schweren Verletzungen oder zu Stromschlag mit Todesfolge führen.
	Lärm	Garantierter Schalleistungspegel. Geräuschemission an die Umgebung gemäß Richtlinie der Europäischen Gemeinschaft.
	CE	Dieses Produkt erfüllt die einschlägigen CE-Richtlinien.
	WEEE	Elektrische Altgeräte dürfen nicht im Hausmüll entsorgt werden. Bringen Sie das Gerät zu einem Wertstoffhof bzw. zu einer amtlichen Sammelstelle.

	Halten Sie Hände und Füße von dem Schneidwerkzeug fern.	Versuchen Sie niemals, Ihr Elektrowerkzeug mit einer Hand zu benutzen. Es kann zum Kontrollverlust kommen, der schwere oder gar tödliche Verletzungen zur Folge haben kann. Um das Risiko von Schnittverletzungen zu verringern, halten Sie Hände und Füße von dem Schneidwerkzeug fern. Berühren Sie niemals ein Schneidwerkzeug, das in Bewegung ist, mit Ihrer Hand oder einem anderen Körperteil.
	Augen- und Kopfschutz tragen	Tragen Sie immer einen Augen- und Kopfschutz, wenn Sie das Gerät bedienen.
IPX5	IP-Symbol	Schutzgrad 5 gegen das Eindringen von Wasser
V	Volt	Spannung
mm	Millimeter	Länge oder Größe
cm	Zentimeter	Länge oder Größe
kg	Kilogramm	Gewicht
	Gleichstrom	Art oder Eigenschaft der Stromzufuhr

### WARNHINWEISE ZUR HECKENSCHERE

- **Halten Sie alle Körperteile vom Schneidmesser fern. Wenn die Messer in Bewegung sind, darf das Schnittgut nicht festgehalten oder mit der Hand entfernt werden. Stellen Sie sicher, dass der Schalter in der Aus-Position ist, wenn Sie eingeklemmtes Material entfernen.** Ein Moment der Unachtsamkeit bei der Arbeit mit der Heckenschere kann zu schweren Verletzungen führen.
- **Tragen Sie die Heckenschere am Griff und nur wenn das Schneidmesser stillsteht.** Wenn Sie die Heckenschere transportieren oder lagern, befestigen Sie immer die Schutzabdeckung der Schneidvorrichtung. Durch eine sachgemäße Handhabung der Heckenschere senken Sie das Verletzungsrisiko durch die Schneidmesser.
- **Wenn Sie die Heckenschere transportieren oder lagern, bringen Sie immer die Schutzabdeckung der Messer an.** Durch eine sachgemäße Handhabung

der Heckenschere senken Sie das Verletzungsrisiko durch die Messer.

- **Stellen Sie sicher, dass alle Betriebsschalter ausgeschaltet sind und der Akku entnommen oder getrennt ist, wenn Sie festgeklemmtes Schnittgut entfernen.** Das unerwartete Ingangsetzen der Heckenschere, während Sie festgeklemmtes Schnittgut entfernen oder das Gerät warten, kann schwere Verletzungen verursachen.
- **Stellen Sie sicher, dass alle Betriebsschalter ausgeschaltet sind und die Verriegelungsvorrichtung in der Verriegelungsposition ist, wenn Sie festgeklemmtes Schnittgut entfernen oder das Gerät warten.** Das unerwartete Ingangsetzen der Heckenschere, während Sie festgeklemmtes Schnittgut entfernen oder das Gerät warten, kann schwere Verletzungen verursachen.
- **Halten Sie die Heckenschere nur an den isolierten Halteflächen fest. Es ist nicht auszuschließen, dass verdeckt verlegte Kabel vom Messer berührt werden.** Treffen die Messer auf ein Strom führendes Kabel, besteht die Gefahr, dass die blanken Metallteile der Heckenschere ebenfalls Strom führen, sodass für den Bediener Stromschlaggefahr besteht.
- **Halten Sie alle Kabel vom Schneidbereich fern.** Kabel können von Büschen oder Hecken verdeckt werden und vom Messer versehentlich durchtrennt werden.
- **Verwenden Sie die Heckenschere nicht bei schlechtem Wetter und insbesondere nicht bei Gewitter.** Bei Gewitter besteht die Gefahr eines Blitzschlags.

### ZUSÄTZLICHE SICHERHEITSHINWEISE FÜR TELESKOP-HECKENSCHEREN

- **Um das Stromschlagrisiko zu reduzieren, verwenden Sie die Teleskop-Heckenschere niemals in der Nähe von Stromleitungen.** Eine Verwendung des Gerätes in der Nähe von Stromleitungen oder eine Berührung solcher Leitungen kann zu schweren Verletzungen oder zu Stromschlag mit Todesfolge führen.
- **Halten Sie die Teleskop-Heckenschere im Betrieb immer mit beiden Händen fest.** Halten Sie die Teleskop-Heckenschere mit beiden Händen fest, um nicht die Kontrolle über das Gerät zu verlieren.
- **Tragen Sie immer einen Kopfschutz, wenn Sie die Teleskop-Heckenschere über Kopfhöhe benutzen.** Durch herunterfallendes Schnittgut können schwere Verletzungen verursacht werden.
- **Untersuchen Sie die Hecke vor dem Schneiden auf Fremdkörper, z.B. Drahtzäune und verdeckte Kabel.**
- **Halten Sie das Elektrowerkzeug nur an den isolierten Halteflächen fest.**
- Die Heckenschere ist für einen Betrieb auf Bodenebene bestimmt. Nicht auf Leitern oder anderen instabilen Standflächen benutzen.

- Nur die in Abb. A2 aufgeführten Akkus und Ladegeräte verwenden

**HEBEN SIE DIESE ANLEITUNG AUF**

**ZUSÄTZLICHE SICHERHEITSHINWEISE FINDEN SIE IN DER BETRIEBSANLEITUNG DES JEWEILIGEN ANBAUWERKZEUGS.**

**TECHNISCHE DATEN**

Messerränge	510 mm	
Schnittleistung	26 mm	
Empfohlene Betriebstemperatur	0°C-40°C	
Empfohlene Lagertemperatur	-20°C-70°C	
Gewicht	2.67 kg	
Gemessener Schalleistungspegel L <sub>WA</sub>	93,75 dB(A) K=1,7 dB(A)	
Schalldruckpegel am Ohr des Bedieners L <sub>PA</sub>	83 dB(A) K=3 dB(A)	
Garantierter Schalleistungspegel L <sub>WA</sub> (gemäß Messung nach 2000/14/CE)	95 dB(A)	
Vibrationswert a <sub>v</sub> :	Vorderer Griff	1,3 m/s <sup>2</sup> K=1,5 m/s <sup>2</sup>
	Hinterer Griff	1,5 m/s <sup>2</sup> K=1,5 m/s <sup>2</sup>

- Die obigen Kennwerte wurden an einem Antriebsrohr vom Typ PPX1000 getestet und gemessen.
- Der angegebene Vibrationsgesamtwert wurde nach einem Standard-Prüfverfahren gemessen und kann zum Vergleich mit einem anderen Werkzeug herangezogen werden.
- Der angegebene Vibrationsgesamtwert kann auch zur vorläufigen Risikobewertung herangezogen werden.

**HINWEIS:** Die beim Einsatz des Elektrowerkzeugs entstehenden Istvibrationen können von dem angegebenen Wert abweichen. Zum Schutz des Benutzers sollten Handschuhe und ein Gehörschutz während des Geräteeinsatzes getragen werden.

**BESCHREIBUNG**

**AUFBAU IHRES HECKENSCHEREN-ANBAUWERKZEUGS (Abb. A1)**

- Hinterer Buchse

- Vordere Buchse
- Motorgehäuse
- Messerhülle
- Messer

**PACKLISTE (A2)**

**MONTAGE**

**⚠️ WARNUNG:** Wenn irgendwelche Teile beschädigt sind oder fehlen, verwenden Sie das Produkt nicht, bis alle Teile ersetzt worden sind. Die Verwendung dieses Produkts mit beschädigten oder fehlenden Teilen kann zu schweren Verletzungen führen.

**⚠️ WARNUNG:** Versuchen Sie nicht, dieses Produkt zu verändern oder Zubehörteile zu verwenden, die für den Einsatz mit dieser Maschine nicht empfohlen werden. Jegliche Änderung oder falsche Anwendung dieses Geräts gilt als Zweckentfremdung und kann sehr riskant sein und zu möglichen schweren Körperverletzungen führen.

**EINSTELLEN DES SCHNEIDKOPFWINKELS**

Das Heckenschere-Anbauwerkzeug wurde zusammengeklappt in seiner Lagerposition verpackt (Abb. B). Der Knickwinkel und die radiale Drehung des Schneidkopfes können separat eingestellt werden. Stellen Sie den Schneidkopf vor dem Einsatz in eine geeignete Arbeitsposition.

**Einstellen des Knickwinkels**

Es gibt sechs Arbeitspositionen. Der Winkel des Messers kann von -68° bis 42° eingestellt werden (Abb. C).

- Ziehen Sie die vordere Buchse zurück und halten Sie dann das Motorgehäuse gut fest, um den Schnittwinkel in die gewünschte Position zu stellen.

C-1	Vordere Buchse
C-2	Hinterer Buchse

- Sobald der gewünschte Winkel eingestellt ist, schieben Sie die Buchse nach vorne, um den Schneidkopf in dieser Position zu arretieren.

**Einstellen der radialen Drehung**

Es gibt zwei vertikale Schneidpositionen (Abb. D). Die Schneidposition kann um 90° nach rechts oder links eingestellt werden.

- Ziehen Sie die hintere Buchse zurück und halten Sie dann das Motorgehäuse gut fest, um das Messer in die gewünschte Position zu drehen.

2. Sobald der gewünschte Winkel eingestellt ist, schieben Sie die Buchse nach vorne, um den Schneidkopf in dieser Position zu arretieren.

**⚠️ WARNUNG:** Bevor Sie Einstellungen vornehmen, entfernen Sie den Akku. Nehmen Sie Einstellungen nur vor, wenn die Messer stillstehen, um das Verletzungsrisiko zu reduzieren. Berühren Sie die Messer unter keinen Umständen, während Sie Einstellungen vornehmen.

**⚠️ WARNUNG:** Das Getriebegehäuse aus Gusslegierung ist heiß. Berühren Sie das Getriebegehäuse nur, wenn Sie PPE-Handschuhe tragen.

### INSTALLIEREN/ENTFERNEN DES HECKENSCHEREN-ANBAUWERKZEUGS AM/VOM AUSZIEHBAREN ANTRIEBSROHR (Abb. E)

Dieses Heckenscheren-Anbauwerkzeug ist zur Verwendung mit dem EGO ausziehbaren Antriebsrohr PPX1000 bestimmt.

Lesen Sie den Abschnitt „INSTALLIEREN DES ANBAUWERKZEUGS AM AUSZIEHBAREN ANTRIEBSROHR“ im Handbuch des PPX1000 ausziehbaren Antriebsrohrs, um die Heckenschere mit dem Antriebsrohr zu verbinden.

Lesen Sie den Abschnitt „ENTFERNEN DES ANBAUWERKZEUGS VOM AUSZIEHBAREN ANTRIEBSROHR“ im Handbuch des PPX1000 ausziehbaren Antriebsrohrs, um die Heckenschere von dem Antriebsrohr zu entfernen.

### ANBRINGUNG DES FÜHRUNGSSCHUTZES (Optional)

1. Benutzen Sie einen Sechskantschlüssel (nicht inbegriffen), um den kurzen Bolzen, die Unterlegscheibe, die Buchse und die Mutter an der Messerspitze zu entfernen. Bewahren Sie die Unterlegscheibe, die Buchse und die Mutter für die Remontage auf (Abb. F).

F-1	Mutter	F-3	Unterlegscheibe
F-2	Buchse	F-4	Kurzer Bolzen

2. Richten Sie den Führungsschutz auf die Ausbuchtung am Messer aus und montieren Sie den Führungsschutz. Fixieren Sie den Führungsschutz mit dem neuen langen Bolzen und der Mutter sowie der Unterlegscheibe, Buchse und Mutter, die Sie zuvor zur Seite gelegt haben (Abb. G).

G-1	Mutter	G-4	Buchse
G-2	Schutzkappe der Spitze	G-5	Unterlegscheibe
G-3	Mutter	G-6	Langer Bolzen

## BETRIEB

**⚠️ VORSICHT:** Auf keinen Fall in der Nähe von Hochspannungsleitungen, Stromkabeln oder anderen Stromquellen arbeiten. Sollten die Messer an einer Stromleitung hängenbleiben, **DARF DAS MESSER ODER DAS ALUMINIUMROHR NICHT BERÜHRT WERDEN! SIE KÖNNEN STROM FÜHREN UND SEHR GEFÄHRLICH SEIN.** Halten Sie das Heckenscheren-Anbauwerkzeug weiterhin am isolierten Griff fest oder legen Sie die Heckenschere mit einem gewissen Sicherheitsabstand auf den Boden. Stellen Sie die Stromversorgung der beschädigten Leitung oder des Kabels ab, bevor Sie versuchen, das Messer aus der Elektroleitung zu entfernen. Eine Berührung des Messers, anderer leitender Teile des Heckenscheren-Anbauwerkzeugs oder Strom führender Stromleitungen wird zum Tod durch Stromschlag oder zu schweren Verletzungen führen.

**⚠️ WARNUNG:** Auch wenn Sie sich mit dem Gerät auskennen, sollten Sie sich nicht zu einer gewissen Nachlässigkeit verleiten lassen. Denken Sie daran, dass ein kurzer Moment der Unachtsamkeit zu ernsthaften Verletzungen führen kann.

**⚠️ WARNUNG:** Tragen Sie immer einen Augenschutz. Andernfalls besteht die Gefahr, dass Gegenstände in Ihre Augen geschleudert werden oder andere schwere Verletzungen verursacht werden.

**⚠️ WARNUNG:** Verwenden Sie keine Anbauwerkzeuge oder Zubehörteile, die nicht vom Hersteller (EGO™) empfohlen werden. Der Gebrauch von nicht empfohlenen Anbauwerkzeugen oder Zubehör kann zu schweren Verletzungen führen.

### ANWENDUNGEN

Dieses Produkt eignet sich für das Schneiden von Hecken, Sträuchern, Gestrüpp, Büschen und ähnlichem Material mit einem Zweigdurchmesser unter Ø26 mm.

### VERWENDUNG DER HECKENSCHERE MIT DEM AUSZIEHBAREN ANTRIEBSROHR

**⚠️ WARNUNG:** Tragen Sie geeignete Kleidung, um das Verletzungsrisiko bei der Benutzung dieses Geräts zu reduzieren. Tragen Sie keine weite Kleidung oder Schmuck. Tragen Sie einen Augen- und Gehörschutz. Tragen Sie eine robuste lange Hose, Stiefel und Handschuhe. Tragen Sie keine kurze Hose oder Sandalen und gehen Sie nicht barfuß.

## VORBEREITUNG ZUM SCHNEIDEN:

1. Stellen Sie den Schneidkopf in die gewünschte Arbeitsposition.
2. Entfernen Sie die Messerhülle vom Messer.
3. Legen Sie zum sicheren und einfacheren Arbeiten den Schultergurt an. Passen Sie den Schultergurt so an, dass die Arbeitsposition bequem ist. Folgen Sie den Anleitungen in dem Abschnitt **„BEFESTIGUNG DES SCHULTERGURTES“** in dem PPX1000 Handbuch, um den Schultergurt am Antriebsrohr anzubringen.

**⚠️ WARNUNG:** Der Schultergurt ist zudem ein Schnelllösemechanismus in gefährlichen Situationen. Nehmen Sie ihn bei einem Notfall sofort von Ihrer Schulter, ganz gleich in welcher Weise der Schultergurt umgelegt ist.

**⚠️ WARNUNG:** Halten Sie die Teleskop-Heckenschere im Betrieb immer mit beiden Händen fest. Halten Sie die Teleskop-Heckenschere mit beiden Händen fest, um nicht die Kontrolle über das Gerät zu verlieren. Folgen Sie den Anleitungen in dem Abschnitt **„HALTEN DES AUSZIEHBAREN ANTRIEBSROHRS“** in dem PPX 1000 Handbuch.

## ARBEITSMETHODEN

### Waagrecht schneiden (mit angewinkeltem Schneidkopf)

In einer stehenden Position nahe am Boden schneiden, z. B. zum Schneiden von niedrigem Gebüsch.

Schwenken Sie den Schneidkopf nach rechts und links, während Sie sich entlang der Hecke bewegen - benutzen Sie beide Seiten des Messers, setzen Sie das Messer nicht auf dem Boden ab (Abb. H).

### Waagrecht schneiden (mit geradem Schneidkopf):

Halten Sie den Schneidkopf in einem Winkel von 0°, während Sie die Heckenschere langsam waagrecht schwenken. Schwenken Sie den Schneidkopf in einem Bogen in Richtung der Außenseiten der Hecke, sodass die Schnittabfälle auf den Boden gefegt werden (Abb. I).

**Empfehlung:** Schneiden Sie in dieser Arbeitsposition Hecken, die maximal bis zu Ihrer Brust reichen.

### Senkrecht schneiden (mit angewinkeltem Schneidkopf)

Schneiden, ohne direkt neben der Hecke zu stehen, z. B. mit einem Blumenbeet zwischen Benutzer und Hecke.

In dieser Schnittposition empfiehlt es sich, den Schneidkopf in der seitlichen Schnittposition an der Heckenschere anzubringen, damit Sie die Heckenschere besser kontrollieren können.

Schwenken Sie den Schneidkopf in einem Bogen nach oben und unten, während Sie sich entlang der Hecke bewegen - benutzen Sie beide Seiten des Messers (Abb. J).

### Senkrecht schneiden (mit geradem Schneidkopf):

Extragroße Reichweite, ohne dass andere Hilfsmittel benötigt werden. Schwenken Sie das Messer in einem Bogen nach oben und unten, während Sie sich entlang der Hecke bewegen - benutzen Sie beide Seiten des Messers (Abb. K).

Über Kopfhöhe schneiden (mit angewinkeltem Schneidkopf)

Halten Sie die Heckenschere senkrecht und schwenken Sie sie in einem Bogen, um ihre Reichweite optimal auszunutzen (Abb. L1&L2). Bei extrem hohen Hecken kann das Teleskoprohr als Hilfsmittel zum Schneiden benutzt werden.

**⚠️ WARNUNG:** Jede Arbeitsposition über Kopfhöhe ist ermüdend. Arbeiten Sie in solchen Positionen immer nur kurze Zeit lang, um das Unfallrisiko zu minimieren. Stellen Sie den Winkel des einstellbaren Schneidkopfes auf Maximum, sodass das Werkzeug in einer niedrigeren, weniger ermüdenden Position (mit Schultergurt) gehalten werden kann und gleichzeitig eine angemessene Reichweite bietet.

## WERKZEUG STARTEN/STOPPEN

Lesen Sie den Abschnitt **„STARTEN/STOPPEN DES TELESKOP-ANTRIEBSROHRS“** in der Betriebsanleitung des Antriebsrohrs PPX1000.

## WARTUNG

**⚠️ WARNUNG:** Verwenden Sie für die Wartung nur baugleiche Ersatzteile. Prüfen und warten Sie das Gerät regelmäßig. Um die Sicherheit und Zuverlässigkeit zu gewährleisten, sollten alle Reparaturen nur von qualifizierten Servicetechnikern durchgeführt werden.

**⚠️ WARNUNG:** Vor Überprüfung, Reinigung oder Reparatur des Geräts den Motor ausschalten, warten, bis alle beweglichen Teile zum Stillstand gekommen sind, und Akku abnehmen. Bei Nichtbeachtung dieser Anweisungen kann es zu schweren Verletzungen oder Sachschäden kommen.



**⚠️ HINWEIS:** Inspizieren Sie das gesamte Produkt vor jeder Benutzung auf beschädigte, fehlende oder lockere Teile, wie z. B. Schrauben, Muttern, Bolzen, Abdeckungen usw. Ziehen Sie alle Befestigungsteile und Abdeckungen an und bedienen Sie das Produkt nicht, bis alle beschädigten oder fehlenden Teile ersetzt worden sind. Bitte wenden Sie sich an den Kundendienst oder einen qualifizierten Techniker.

### ALLGEMEINE WARTUNG

Zum Reinigen von Kunststoffteilen Lösungsmittel vermeiden. Die verschiedenen handelsüblichen Lösungsmittel greifen die meisten Kunststoffe an. Verwenden Sie saubere Lappen zum Entfernen von Schmutz, Staub, Öl, Fett usw.

### REINIGEN DES HECKENSCHEREN-ANBAUWERKZEUGS

1. Motor ausschalten und Akku abnehmen.
2. Reinigen Sie das Heckenscheren-Anbauwerkzeug mit einem feuchten Lappen und Spülmittel von Schmutz und Ablagerungen.

**HINWEIS:** Benutzen Sie keine starken Reiniger am Kunststoffgehäuse oder am Griff. Die Teile können von ätherischen Ölen wie z. B. Kiefern- oder Zitronenöl angegriffen werden.

### LAGERN DES HECKENSCHEREN-ANBAUWERKZEUGS

1. Schalten Sie den Motor aus und nehmen Sie den Akku von dem ausziehbaren Antriebsrohr ab.
2. Entfernen Sie das Heckenscheren-Anbauwerkzeug von dem ausziehbaren Antriebsrohr.
3. Reinigen Sie das Heckenscheren-Anbauwerkzeug von Fremdkörpern.
4. Lagern Sie das Gerät an einem Ort, der für Kinder nicht erreichbar ist.
5. Halten Sie sie von zersetzenden Mitteln wie Gartenchemikalien oder Streusalz fern.

### MESSERWECHSEL

**⚠️ WARNUNG:** Tragen Sie stets Handschuhe, wenn Sie das Messer anfassen; diese Teile sind sehr scharf und mit Graten versehen.

1. Schalten Sie das Werkzeug aus und entfernen Sie den Akku.
2. Stellen Sie das Messer in die waagerechte Position und achten Sie darauf, dass die Messereinheit in einer Linie mit dem Heckenscherenrohr ist, um das Anbringen zu erleichtern (Abb. M).

M-1	Schraube 1# (kurze Schrauben)	M-6	Lagerbuchse
M-2	Untere Abdeckung	M-7	Schraube 2# (lange Schrauben)
M-3	Stützplatte 3#	M-8	Stützplatte 2#
M-4	Verbindungshebel	M-9	Messereinheit
M-5	Stützplatte 1#	M-10	Exzenterblock

3. Entfernen Sie mit einem Sechskantschlüssel (nicht inbegriffen) die sechs Schrauben 1# (kurze Schrauben) aus der unteren Abdeckung.
4. Fahren Sie fort, indem Sie die zwei Schrauben 2# (lange Schrauben) lösen, um die Stützplatten 1# und 2# sowie die zwei Buchsen zu entfernen. Die zwei Buchsen sind separat in den zwei abgerundeten rechteckigen Schlitzen in der Messereinheit positioniert.
5. Entfernen Sie die Stützplatte 3#.
6. Entfernen Sie vorsichtig den Verbindungshebel vom Messer.
7. Entfernen Sie die Messereinheit von dem Werkzeug. Achten Sie darauf, dass sich die Position des Exzenterblocks dabei nicht verändert wird.
8. Richten Sie die Innenwölbung an der neuen Messereinheit an dem Loch im Verbindungshebel aus, um die neue Messereinheit anzubringen.
9. Stecken Sie die beiden Buchsen separat in die zwei abgerundeten Rechtecke.
10. Befestigen Sie die Stützplatte 1# und dann die Stützplatte 2#.
11. Die Innenlöcher im Messer, die Buchsen und die Löcher in den Stützplatten müssen in einer Linie mit den Schraublöchern im Getriebegehäuse sein. Stecken Sie die zwei langen Schrauben in die aneinander ausgerichteten Löcher und ziehen Sie sie fest an.
12. Bewegen Sie das obere Messer leicht hin und her, um zu prüfen, ob sich das Messer frei bewegen kann. Falls nicht, wiederholen Sie die Montage des Messers, bis das obere Messer sich frei bewegen kann.
13. Montieren Sie den Verbindungshebel.
14. Richten Sie das Loch der Stützplatte 3 # an der Ausbuchtung am Exzenterblock aus, um die Stützplatte anzubringen. Die Platte muss genau in der Mitte sitzen, parallel zu beiden Kanten.
15. Montieren Sie die untere Abdeckung am Getriebegehäuse und schrauben Sie sie mit sechs kurzen Schrauben fest.

## ÖLEN DES MESSERS (Abb. N)

Ölen Sie das Klingenblatt der Heckenschere nach jeder Benutzung mit einem Rostschutzöl, um für eine optimale Funktion und eine längere Nutzungsdauer zu sorgen. FÜLLEN SIE DIE SCHMIERÖLBOHRUNG NICHT BIS ZUM ANSCHLAG.

- Entfernen Sie die Schraube der Schmierbohrung am Getriebegehäuse mithilfe eines Sechskantschlüssels (nicht inbegriffen).

N-1	Schraube der Schmierbohrung
-----	-----------------------------

- Spritzen Sie 5 g Öl durch die Schmierbohrung in das Getriebegehäuse.
- Ziehen Sie die Schraube fest an, wenn Sie fertig sind.

## EINÖLEN DES ANTRIEBSRADES

Ölen Sie das Antriebsrad des Heckenscheren-Anbauwerkzeugs nach jeweils 100 Betriebsstunden mit einem speziellen Öl, um für eine optimale Funktion und eine längere Nutzungsdauer zu sorgen.

Das Öl sollte folgende Anforderungen erfüllen:

- NLGI-Klasse der Eindringtiefe: NLGI-2;
- Eindicker: Polyharnstoff
- Empfohlener Betriebstemperaturbereich: -40°C bis 180°C.
- Darüber hinaus sollte das Schmieröl scherstabil sein und ausgeprägte Druckeigenschaften, ausgezeichnete Verschleißschutzeigenschaften und Oxidationsbeständigkeit besitzen.

Gehen Sie zum Einfüllen von Schmierfett folgendermaßen vor:

- Schalten Sie das Werkzeug aus und entfernen Sie den Akku.
- Lösen und entfernen Sie mit einem Sechskantschlüssel (nicht inbegriffen) die drei kurzen Schrauben (0-1) am Motorgehäuse (0-2) und nehmen Sie dann das Motorgehäuse ab (Abb. O).

0-1	Kurze Schraube	0-5	Unterlegscheibe
0-2	Motorgehäuse	0-6	Getriebegehäuse
0-3	Kurze Schraube	0-7	Planetenräder
0-4	Motor		

- Lösen Sie die drei kurzen Schrauben (0-3) am Motor und entfernen Sie dann den Motor und die Unterlegscheibe.
- Spritzen Sie mit einer Schmierpistole (nicht inbegriffen) 5 g Schmieröl in der Mitte der drei oberen Planetenräder (0-7) in das Getriebegehäuse.

**ANMERKUNG:** Achten Sie darauf, dass sich die Position anderer Teile während des Einspritzens nicht verändert.

- Montieren Sie die Unterlegscheibe und den Motor durch Anziehen der drei kurzen Schrauben (0-3).
- Montieren Sie das Motorgehäuse durch Anziehen der drei kurzen Schrauben (0-1).
- Starten Sie das Werkzeug, um zu prüfen, ob es normal funktioniert. Falls nicht, wiederholen Sie die oben beschriebenen Montageschritte.

**ANMERKUNG:** Entfernen Sie die Sägespäne rund um den Motor, nachdem Sie das Motorgehäuse abgenommen haben.

## Schutz der Umwelt



Entsorgen Sie elektronische Geräte, Ladegeräte und Batterien/Akkus nicht im Hausmüll!

## STÖRUNGSBEHEBUNG

DE

PROBLEM	URSACHE	LÖSUNG
Heckenschere funktioniert nicht.	<ul style="list-style-type: none"> <li>■ Kein elektrischer Kontakt zwischen Heckenschere und Akku.</li> <li>■ Der Akku ist entladen.</li> <li>■ Der Akku oder das Werkzeug ist überhitzt.</li> <li>■ Das Klingensblatt blockiert.</li> </ul>	<ul style="list-style-type: none"> <li>■ Akku herausnehmen, Kontakte überprüfen und wiedereinsetzen.</li> <li>■ Den Akku aufladen.</li> <li>■ Akku oder Antriebsrohr unter 67° C abkühlen lassen.</li> <li>■ Den Akku aus dem Werkzeug nehmen. Vorsichtig die Blockade entfernen, den Akku wiedereinsetzen und das Werkzeug starten.</li> </ul>
Zu starke Vibration oder Lärmentwicklung.	<ul style="list-style-type: none"> <li>■ Trockene oder verrostete Messer.</li> <li>■ Messer oder Messerhalterung ist verbogen.</li> <li>■ Verbogene oder beschädigte Zähne.</li> <li>■ Messerschrauben haben sich gelöst.</li> </ul>	<ul style="list-style-type: none"> <li>■ Messer ölen.</li> <li>■ Ersetzen Sie das Messer oder die Halterung wie im Abschnitt „MESSERWECHSEL“ in diesem Handbuch beschrieben oder wenden Sie sich an den EGO-Kundendienst, um Hilfe zu erhalten.</li> <li>■ Ersetzen Sie das Messer wie im Abschnitt „MESSERWECHSEL“ in diesem Handbuch beschrieben oder wenden Sie sich an den EGO-Kundendienst, um Hilfe zu erhalten.</li> <li>■ Die Messerschrauben wieder festziehen. Ziehen Sie den Bolzen im Uhrzeigersinn mit einem Sechskantschlüssel (nicht inbegriffen) an.</li> </ul>

## GARANTIE

### EGO-GARANTIEBEDINGUNGEN

Sämtliche EGO Garantiebedingungen finden Sie auf der Website [egopowerplus.com](http://egopowerplus.com).

## LISEZ TOUTES LES INSTRUCTIONS !



### LISEZ LE MANUEL D'UTILISATION

FR

**⚠ Risques résiduels!** Les personnes portant des appareils électroniques, par exemple des stimulateurs cardiaques, doivent consulter leur(s) médecin(s) avant d'utiliser ce produit. L'utilisation d'un équipement électrique près d'un stimulateur cardiaque peut provoquer des interférences ou la panne du stimulateur cardiaque.

**⚠ AVERTISSEMENT:** Pour garantir la sécurité et la fiabilité, toutes les réparations et tous les changements de pièce doivent être effectués par un réparateur qualifié.

## SYMBOLE DE SECURITE

L'objectif des symboles de sécurité est d'attirer votre attention sur des dangers potentiels. Les symboles de sécurité et les explications les accompagnant doivent être lus attentivement et compris. Les symboles de mise en garde ne permettent pas par eux-mêmes d'éliminer les dangers. Les consignes et mises en garde ne se substituent pas à des mesures de prévention appropriées des accidents.

**⚠ AVERTISSEMENT:** Lisez et comprenez impérativement toutes les consignes de sécurité de ce manuel d'utilisation, y compris les symboles de mise en garde de sécurité tels que « **DANGER** », « **AVERTISSEMENT** » et « **ATTENTION** » avant d'utiliser cet outil. Le non respect de toutes les instructions énumérées ci-dessous peut entraîner un choc électrique, un incendie et / ou des blessures graves.

## SIGNIFICATION DES SYMBOLES

**⚠ SYMBOLE DE MISE EN GARDE DE SÉCURITÉ:** Indique un **DANGER**, un **AVERTISSEMENT** ou une **MISE EN GARDE**, peut être utilisé en conjonction avec d'autres symboles ou pictogrammes.






**⚠ AVERTISSEMENT:** L'utilisation d'un outil électrique peut provoquer la projection d'objets étrangers dans vos yeux, ce qui peut entraîner des lésions oculaires graves. Avant de commencer à utiliser l'outil électrique, portez toujours un masque de sécurité ou des lunettes de sécurité avec des protections latérales et une visière complète si nécessaire. Nous vous recommandons de porter un Masque de Sécurité à Vision Panoramique par-dessus des lunettes de vue ou des lunettes de sécurité standards avec des protections latérales.

## CONSIGNES DE SÉCURITÉ

Cette page décrit des symboles de sécurité pouvant être présents sur ce produit. Lisez, comprenez et respectez toutes les instructions présentes sur l'outil avant d'essayer de l'assembler et de l'utiliser.

	Alerte de sécurité	Indique un risque potentiel de blessure corporelle.
	Lire la notice d'utilisation	Pour réduire le risque de blessures, l'utilisateur doit lire la notice d'utilisation.
	Maintenir une distance suffisamment éloignée des lignes électriques.	Pour prévenir le risque d'électrocution, ne pas utiliser l'outil à moins de 15 m de lignes électriques surplombantes. Le contact avec des lignes électriques ou l'utilisation près de lignes électriques peut provoquer des blessures graves ou une électrocution provoquant la mort.
	Bruit	Niveau de puissance acoustique garanti. Émission de bruit dans l'environnement conformément à la directive CE.
	CE	Ce produit est conforme aux directives CE applicables.
	DEEE	Les produits électriques usagés ne doivent pas être jetés avec les ordures ménagères. Apportez-les dans un centre de recyclage agréé.

	Maintenir les mains et les pieds éloignés des pièces de coupe.	Ne jamais essayer d'utiliser votre outil électrique d'une main. La perte de contrôle de l'outil électrique peut provoquer des blessures graves ou mortelles. Pour réduire le risque de blessures par coupure, maintenir les mains et les pieds éloignés de l'accessoire de coupe. Ne jamais monter un accessoire de coupe mobile avec la main ou une autre partie de votre corps.
	Porter des lunettes et un casque de protection.	Portez toujours une protection oculaire et un casque lorsque vous utilisez ce produit.
IPX5	Symbole IP	Protection contre la pénétration d'eau de degré 5
V	Volts	Tension
mm	Millimètre	Longueur ou taille
cm	Centimètre	Longueur ou taille
kg	Kilo-gramme	Poids
	Courant continu	Type ou caractéristique du courant

- **Lors de la réparation de l'outil ou du retrait de matière coincée, veillez à ce que tous les interrupteurs marche/arrêt soient sur leur position arrêt et à ce que la batterie soit retirée ou déconnectée.** La mise en marche accidentelle du taille-haie pendant le retrait de matière coincée ou sa réparation peut provoquer des blessures corporelles graves.
- **Lors de la réparation de l'outil ou du retrait de matière coincée, veillez à ce que tous les interrupteurs marche/arrêt soient sur leur position arrêt et à ce que le dispositif de blocage soit enclenché.** La mise en marche accidentelle du taille-haie pendant le retrait de matière coincée ou sa réparation peut provoquer des blessures corporelles graves.
- **Tenez l'outil électrique exclusivement par ses surfaces de préhension isolées, car la lame peut entrer en contact avec des câbles électriques dissimulés.** Si les lames entrent en contact avec un fil électrique sous tension, les parties métalliques non carénées du taille-haie peuvent se retrouver sous tension électrique et l'opérateur risque de subir un choc électrique.
- **Veillez à ce que tous les câbles et cordons électriques restent éloignés de la zone de coupe.** Les câbles et cordons électriques peuvent être cachés par les haies et les buissons et être accidentellement coupés par la lame.
- **N'utilisez pas le taille-haie par mauvais temps, notamment quand il y a un risque de foudre.** Cela réduit le risque d'être frappé(e) par la foudre.

### **CONSIGNES DE SÉCURITÉ SUPPLÉMENTAIRES POUR LES EXTENSIONS TAILLE-HAIE**

#### **CONSIGNES DE SÉCURITÉ DU TAILLE-HAIE**

- **Maintenez toutes les parties de votre corps éloignées des lames. N'essayez pas de retirer du matériau coupé ni de tenir le matériau à couper quand les lames sont en mouvement.** Vérifiez que l'interrupteur marche/arrêt de l'outil est dans la position arrêt avant d'enlever des matériaux coincés. Un moment d'inattention pendant l'utilisation du taille-haie peut provoquer des blessures corporelles graves.
- **Portez le taille-haie par sa poignée avec sa lame à l'arrêt.** Lors du transport et du stockage du taille-haie, remettez toujours le protège-lame. Manipuler correctement le taille-haie permet de réduire le risque de blessures corporelles dues aux lames.
- **Lors du transport et du stockage du taille-haie, remettez toujours le protège-lame.** Manipuler le taille-haie correctement permet de réduire le risque de blessures corporelles dues aux lames.
- **Afin de réduire le risque d'électrocution, n'utilisez jamais une extension taille-haie à proximité de lignes électriques.** Le contact avec des lignes électriques ou l'utilisation près de lignes électriques peut provoquer des blessures graves ou une électrocution provoquant la mort.
- **Maintenez toujours le taille-haie à deux mains lorsque vous utilisez l'extension taille-haie.** Maintenez le taille-haie à deux mains afin d'éviter de perdre le contrôle de l'outil.
- **Munissez-vous toujours d'un casque lorsque vous utilisez l'extension taille-haie au-dessus de votre tête.** La chute de débris peut provoquer des blessures corporelles graves.
- **Avant d'utiliser l'outil, inspectez la haie pour détecter des objets étrangers, par exemple des clôtures métalliques et du câblage dissimulé.**
- **Tenez l'outil par ses surfaces de préhension isolées uniquement.**
- Le taille-haie est prévu pour être utilisé par l'opérateur au niveau du sol et non à partir d'une échelle ou de tout autre support instable.

- Utilisez uniquement les batteries et les chargeurs listés au schéma A2.

FR

## CONSERVEZ CES INSTRUCTIONS

VOUS TROUVEREZ DES CONSIGNES DE SÉCURITÉ SPÉCIFIQUES DANS LE MANUEL D'UTILISATION DE L'ACCESSOIRE.

## SPÉCIFICATIONS

Longueur de la lame	510 mm	
Capacité de coupe	26 mm	
Température d'utilisation recommandée	0°C-40°C	
Température de stockage recommandée	-20°C-70°C	
Poids	2,67 kg	
Niveau de puissance acoustique mesuré $L_{WA}$	93,75 dB(A) K=1,7 dB(A)	
Niveau de pression acoustique au niveau des oreilles de l'opérateur $L_{PA}$	83 dB(A) K=3 dB(A)	
Niveau de puissance acoustique garanti $L_{WA}$ (conformément à la norme 2000/14/CE)	95 dB(A)	
Niveau de vibration $a_h$	Poignée avant	1,3 m/s <sup>2</sup> K=1,5 m/s <sup>2</sup>
	Poignée arrière	1,5 m/s <sup>2</sup> K=1,5 m/s <sup>2</sup>

- Les paramètres ci-dessus ont été testés et mesurés avec le bloc moteur PPX1000.
- La valeur totale des vibrations indiquée a été mesurée selon une procédure conforme à une méthode de test standardisée et peut servir pour comparer différents outils.
- La valeur totale des vibrations déclarée peut également servir pour effectuer une évaluation préliminaire de l'exposition.

**REMARQUE:** Le niveau de vibrations lors de l'utilisation réelle de l'outil peut être différent de la valeur déclarée totale en fonction de la manière dont l'outil est utilisé ; Afin de protéger l'opérateur, l'utilisateur doit porter des gants et des protecteurs d'oreilles en conditions réelles d'utilisation.

## DESCRIPTION

### DESCRIPTION DE VOTRE EXTENSION TAILLE-HAIE (Image A1)

- Bague arrière
- Bague avant
- Carter du moteur
- Protège-lame
- Lame

## CONTENU DE L'EMBALLAGE (A2)

**AVERTISSEMENT:** Si une ou plusieurs pièces sont manquantes ou endommagées, n'utilisez pas cet outil tant que toutes les pièces n'ont pas été remplacées. Utiliser cet outil avec des pièces endommagées ou manquantes peut provoquer des blessures corporelles graves.

**AVERTISSEMENT:** Toujours retirer la batterie du produit avant d'assembler des pièces, d'effectuer une opération de réglage ou de nettoyage, et lorsque vous n'utilisez pas le produit.

### RÉGLAGE DE L'ANGLE DE LA TÊTE DE COUPE

Lorsque vous retirez l'extension taille-haie de l'emballage, celle-ci est repliée dans sa position de stockage (image B). L'angle d'articulation et la rotation radiale de la tête de coupe peuvent être ajustés individuellement. Réglez la tête de coupe sur une position de fonctionnement adaptée avant de l'utiliser.

### Réglage de l'angle d'articulation

Il existe six positions de fonctionnement possibles. L'angle de la lame peut être ajusté de -68° à 42° (image C).

- Tirez la bague avant en arrière puis maintenez fermement le capot du moteur pour pivoter l'angle de coupe à la position souhaitée.

C-1	Bague avant
C-2	Bague arrière

- Une fois que vous avez atteint l'angle souhaité, poussez la bague en avant pour bloquer la position de la tête de coupe.

### Réglage de la rotation radiale

Il existe deux positions de coupe verticales (image D). Vous pouvez régler l'extension de 90° vers la droite ou la gauche.

- Tirez la bague arrière en arrière puis maintenez fermement le capot du moteur pour pivoter la lame à la position souhaitée.

- Une fois que vous avez atteint l'angle souhaité, poussez la bague en avant pour bloquer la position de la tête de coupe.

**⚠ AVERTISSEMENT:** Afin d'éviter le risque de blessures, retirez la batterie avant d'effectuer des réglages et ne réalisez des réglages que lorsque les lames sont immobiles. Ne touchez jamais les lames pendant les réglages.

**⚠ AVERTISSEMENT:** Le boîtier d'engrenage en alliage métallique est chaud. Ne touchez jamais la surface du boîtier d'engrenage sans porter des gants de protection.

### MONTER/DÉMONTER L'EXTENSION TAILLE-HAIE SUR LE BLOC-MOTEUR (schéma E)

Cette extension pour taille-haie sur perche est conçue pour être utilisée avec le bloc-moteur EGO PPX1000.

Consultez la partie « **MONTER UNE EXTENSION SUR LE BLOC-MOTEUR** » du manuel d'utilisation du bloc-moteur PPX1000 pour monter l'extension sur le bloc-moteur.

Consultez la partie « **DÉMONTER UNE EXTENSION DU BLOC-MOTEUR** » du manuel d'utilisation du bloc-moteur PPX1000 pour retirer l'extension du bloc-moteur.

### ASSEMBLER LA PROTECTION DE BOUT DE LAME (Optionnel)

- A l'aide d'une clé hexagonale (non fournie), retirez la vis courte, la rondelle plate, la bague et l'écrou à l'extrémité de la lame. Conservez la rondelle plate, la bague et l'écrou pour le réassemblage (schéma F).

F-1	Écrou	F-3	Rondelle plate
F-2	Bague	F-4	Vis courte

- Alignez la protection de bout de lame avec le renflement de la lame et assemblez-la. Fixez-la avec la vis longue et l'écrou supplémentaires, ainsi qu'avec la rondelle, la bague et l'écrou précédemment démontés (schéma G).

G-1	Écrou	G-4	Bague
G-2	Protection de bout de lame	G-5	Rondelle plate
G-3	Écrou	G-6	Vis longue

## FUNCTIONNEMENT

**⚠ DANGER:** Ne coupez jamais près de lignes électriques, de câbles électriques ou d'autres sources d'électricité. Si les lames se coincent sur une ligne ou un câble électrique, **NE TOUCHEZ PAS LA LAME NI LA PERCHE EN ALUMINIUM ! ELLES PEUVENT SE RETROUVER SOUS TENSION ÉLECTRIQUE ET ÊTRE TRÈS**

**DANGEREUSES.** Continuez de tenir l'extension taille-haie par sa poignée isolée ou posez-le loin de vous d'une manière sécurisée. Débranchez le câble électrique endommagé de l'alimentation électrique avant d'essayer de décoinçer la lame du câble électrique. Le contact avec la lame, d'autres pièces conductrices de l'extension taille-haie ou des lignes ou des câbles électriques sous tension peut provoquer la mort par électrocution ou des blessures graves.

**⚠ AVERTISSEMENT:** Veillez à ne pas devenir moins prudent(e) au fur et à mesure que vous vous familiarisez avec cet outil. Gardez à l'esprit qu'une fraction de seconde d'inattention peut suffire pour provoquer des blessures graves.

**⚠ AVERTISSEMENT:** Portez toujours une protection oculaire. Sans protection, des objets peuvent être projetés dans vos yeux et d'autres blessures graves peuvent se produire.

**⚠ AVERTISSEMENT:** N'utilisez aucun accessoire ou pièce non recommandée par EGO™. L'utilisation d'accessoires ou de pièces non recommandés peut provoquer des blessures corporelles graves.

### APPLICATIONS

Vous pouvez utiliser ce produit pour tailler les haies, les broussailles, les arbustes et autres végétations similaires dont les branches ont un diamètre inférieur à 26 mm.

### UTILISER LA TAILLE-HAIE AVEC LA PERCHE

**⚠ AVERTISSEMENT:** Habillez-vous correctement pour réduire les risques de blessures lors de l'utilisation de cet outil. Ne portez pas de vêtement ample ni de bijou. Portez des protections oculaires et auditives. Portez un pantalon long et épais, des chaussures montantes et des gants. Ne portez pas de shorts ni de sandales et ne marchez pas pieds nus.

### PRÉPARATION POUR LA COUPE:

- Réglez la tête de coupe dans la position de travail désirée.
- Retirez le protège-lame de la lame.
- Pour votre sécurité et une meilleure prise en main, placez la bandoulière en travers de vos épaules. Réglez la bandoulière dans une position d'utilisation confortable. Respectez les instructions de la partie « **ATTACHER LA BANDOULIÈRE** » du manuel d'utilisation PPX1000 pour attacher la bandoulière sur le bloc-moteur.

**⚠ AVERTISSEMENT:** La sangle d'épaule est aussi un mécanisme de retrait rapide en cas de situation dangereuse. En cas d'urgence, retirez-la immédiatement de votre épaule, quelle que soit la manière dont elle est portée.

**⚠ AVERTISSEMENT:** Maintenez toujours la taille-haie à deux mains lorsque vous utilisez l'extension taille-haie. Maintenez la taille-haie à deux mains afin d'éviter de perdre le contrôle de l'outil. Suivez les consignes figurant dans la partie « **MAINTIEN DE LA PERCHE TÉLESCOPIQUE** » du manuel d'utilisation PPX1000.

## TECHNIQUES DE TRAVAIL

### Coupe horizontale (avec la tête de coupe à un certain angle)

Coupez près du sol en vous tenant debout, par ex. pour tailler des arbustes bas.

Balancer la tête de coupe de gauche à droite tout en vous déplaçant le long de la haie. Utilisez les deux côtés de la lame et ne posez pas la lame sur le sol (Image H).

### Coupe horizontale (avec la tête de coupe droite)

Tenez la tête de coupe à un angle de 0° tout en balançant lentement le taille-haie horizontalement. Balancer la tête de coupe en décrivant un arc vers l'extérieur de la haie de sorte que les végétaux coupés soient envoyés vers le sol (Images I).

**Recommandation:** Dans cette position de travail, coupez exclusivement des haies dont la hauteur ne dépasse pas votre poitrine.

### Coupe verticale (avec la tête de coupe à un certain angle)

Coupez sans vous tenir directement à côté de la haie, par ex. avec un parterre de fleurs entre vous et la haie.

Dans cette position de coupe, afin de disposer d'un meilleur contrôle du taille-haie, il est recommandé d'assembler le taille-haie avec la tête de coupe dans la position de coupe latérale.

Balancer la tête de coupe de haut en bas en décrivant un arc et en vous déplaçant le long de la haie. Utilisez les deux côtés de la lame (Image J).

### Coupe verticale (avec la tête de coupe droite)

Portée de coupe extra longue sans accessoire supplémentaire. Balancer la tête de coupe de haut en bas en décrivant un arc et en vous déplaçant le long de la haie. Utilisez les deux côtés de la lame (Image K).

### Coupe surplombante (avec la tête de coupe à un certain angle)

Tenez le taille-haie verticalement et balancer-le en décrivant un arc pour maximiser la portée de l'outil (Image L1&L2). Pour les haies extrêmement hautes, la rallonge peut être utilisée afin de faciliter la coupe.

**⚠ AVERTISSEMENT:** Toute position de travail plus haute que la tête est fatigante. Pour minimiser le risque d'accidents, travaillez uniquement dans de telles positions pendant de périodes courtes. Réglez l'angle de la tête de coupe réglable sur le maximum de sorte que l'outil puisse être tenu dans une position plus basse et moins fatigante (avec la bandoulière) tout en offrant une portée appropriée.

## DÉMARRAGE / ARRÊT DE L'OUTIL

Consultez la partie « **DÉMARRAGE / ARRÊT DU BLOC MOTEUR** » du manuel d'utilisation du bloc moteur PPX1000.

## ENTRETIEN

**⚠ AVERTISSEMENT:** L'outil ne doit être réparé qu'avec des pièces de rechange identiques. Inspectez et entretenez l'outil régulièrement. Pour garantir la sécurité et la fiabilité, toutes les réparations doivent être effectuées par un réparateur qualifié.

**⚠ AVERTISSEMENT:** Avant d'inspecter, de nettoyer ou de réparer l'outil, éteignez le moteur, attendez que toutes les pièces mobiles se soient arrêtées et retirez la batterie. Ne pas respecter ces instructions peut provoquer des blessures corporelles graves et des dommages matériels.

**⚠ REMARQUE:** Avant chaque utilisation, inspectez l'ensemble du produit à la recherche de pièces endommagées, manquantes ou desserrées telles que des vis, écrous, boulons, capuchons, etc. Serrez fermement toutes les fixations et capuchons et ne faites pas fonctionner ce produit tant que toutes les pièces manquantes ou endommagées n'ont pas été remplacées. Veuillez contacter le service client ou un technicien qualifié.

## ENTRETIEN GÉNÉRAL

N'utilisez pas de solvant pour nettoyer les pièces en plastique. La plupart des plastiques peuvent être détériorés par de nombreux types de solvants vendus dans le commerce. Utilisez des chiffons propres pour enlever les saletés, les poussières, l'huile, la graisse, etc.

## NETTOYAGE DE L'EXTENSION TAILLE-HAIE

1. Éteignez le moteur et retirez la batterie.
2. Nettoyez la saleté et les débris présents sur l'extension taille-haie à l'aide d'un chiffon humidifié d'un détergent doux.



**REMARQUE:** N'utilisez pas de détergent puissant sur le boîtier en plastique ou sur la poignée. Ceux-ci peuvent être endommagés par certaines huiles aromatiques, par exemple celles de pin et de citron.

### RANGEMENT DE L'EXTENSION TAILLE-HAIE

1. Éteignez le moteur et retirez la batterie de l'extension taille-haie.
2. Démontez l'extension taille-haie de la perche.
3. Enlevez tous les corps étrangers de l'extension taille-haie.
4. Rangez-la dans un endroit hors de portée des enfants.
5. Veillez à ce qu'elle reste éloignée des produits corrosifs tels que les produits chimiques de jardinage et les sels de déverglaçage.

### CHANGER LA LAME

**⚠ AVERTISSEMENT:** Portez toujours des gants lorsque vous manipulez la lame : cette pièce est tranchante et peut présenter des bavures.

1. Éteignez l'outil et retirez-en la batterie.
2. Mettez la lame en position horizontale en veillant à ce que l'assemblage de la lame soit aligné avec l'arbre du taille-haie pour un montage aisé (image M).

M-1	Vis courtes (1)	M-6	Bague
M-2	Couvercle inférieur	M-7	Vis longues (2)
M-3	Plaque de support (3)	M-8	Plaque de support (2)
M-4	Levier de liaison	M-9	Assemblage de la lame
M-5	Plaque de support (1)	M-10	Pignon excentrique

3. Utilisez une clé six pans (non fournie) pour desserrer les 6 vis courtes (1) dans le couvercle inférieur et retirez-les.
4. Desserrer les 2 vis longues (2) pour retirer les plaques de support (1) et (2) ainsi que les 2 bagues. Les 2 bagues sont situées séparément dans les deux fentes rectangulaires arrondies dans l'assemblage de la lame.
5. Retirez la plaque de support (3).
6. Retirez avec précaution le levier de liaison de la lame.
7. Retirez la lame de l'outil et veillez à ce que la position du pignon excentrique reste la même.
8. Alignez la saillie intérieure de la nouvelle lame avec le trou à l'intérieur du levier de liaison pour mettre la nouvelle lame en place.

9. Insérez les deux bagues séparément dans les deux rectangles arrondis.
10. Montez la plaque de support (1) puis la plaque de support (2).
11. Conservez les trous intérieurs de la lame, les bagues et les trous des plaques de support alignés avec les trous des vis dans le boîtier d'engrenage. Insérez les 2 vis longues dans les trous alignés et serrez-les.
12. Déplacez légèrement la lame supérieure d'un côté à l'autre pour vérifier que la lame peut bouger librement. Si tel n'est pas le cas, réassemblez les lames jusqu'à ce que la lame supérieure puisse bouger librement.
13. Installez le levier de liaison.
14. Alignez le trou de la plaque de support (3) avec la saillie du pignon excentrique pour mettre la plaque de support en place, en veillant à ce que la plaque soit située en plein centre, parallèlement aux deux bords.
15. Montez le couvercle inférieur sur le boîtier d'engrenage et vissez-le à l'aide de 6 vis courtes.

### LUBRIFICATION DE LA LAME (image N)

Pour faciliter l'utilisation et prolonger la durée de vie de la lame, lubrifiez la lame du taille-haie avec une huile anti-rouille après chaque utilisation. **NE REMPLISSEZ PAS LE TROU D'HUILE À RAS BORD.**

1. Retirez la vis du trou d'huile sur le boîtier d'engrenage à l'aide d'une clé six pans (non fournie).

N-1	Vis de trou d'huile
-----	---------------------

2. Injectez 5 g de lubrifiant dans le trou d'huile.
3. Serrez la vis une fois terminé.

### LUBRIFICATION DE L'ENGRENAGE

Pour optimiser le fonctionnement et maximiser la durée d'utilisation, lubrifiez l'engrenage de l'extension taille-haie à l'aide d'une graisse spéciale toutes les 100 heures d'utilisation.

La graisse doit satisfaire aux critères suivants:

- Consistance NLGI : NLGI-2 ;
- Type d'épaississant : Polyurée ;
- Température d'utilisation recommandée : -40°C à 180°C;
- En dehors des critères ci-dessus, la graisse doit présenter une stabilité au cisaillement et une résistance à la pression exceptionnelle ainsi que d'excellentes propriétés anti-usure et une parfaite stabilité à l'oxydation.

Suivez les étapes ci-dessous pour remplir la machine de lubrifiant :

1. Eteignez l'outil et retirez-en la batterie.
2. Utilisez une clé six pans (non fournie) pour desserrer et retirer 3 vis courtes (0-1) sur le capot du moteur (0-2) puis détachez le capot du moteur (image 0).

0-1	Vis courte	0-5	Rondelle
0-2	Capot du moteur	0-6	Boîtier d'engrenage
0-3	Vis courte	0-7	Train épicycloïdal
0-4	Moteur		

3. Desserrez les 3 vis courtes (0-3) sur le moteur puis détachez le moteur et la rondelle.
4. Utilisez un pistolet de graissage (non fourni) pour injecter 5 g de graisse dans le centre des 3 trains épicycloïdaux supérieurs (0-7) dans le boîtier d'engrenage.

**REMARQUE:** Veillez à ce que les autres pièces à côté du boîtier d'engrenage ne bougent pas lors de l'injection.

5. Remontez la rondelle et le moteur en serrant les 3 vis courtes (0-3).
6. Remontez le capot du moteur en serrant les 3 vis courtes (0-1).
7. Démarrez l'outil pour vérifier s'il fonctionne normalement. Si tel n'est pas le cas, réassemblez l'outil comme décrit ci-dessus.

**REMARQUE:** Une fois le capot du moteur retiré, nettoyez la poussière autour du moteur.

## Protection de l'environnement



Ne jetez pas les équipements électriques, les chargeurs de batterie, les batteries rechargeables et les piles avec les ordures ménagères!

## DÉPANNAGE

PROBLÈME	CAUSE	SOLUTION
Le taille-haie ne s'allume pas.	<ul style="list-style-type: none"> <li>■ Il n'y a pas de contact électrique entre l'outil et la batterie.</li> <li>■ La batterie est déchargée.</li> <li>■ La protection anti-surchauffe est activée sur la batterie ou l'outil.</li> <li>■ La lame est coincée.</li> </ul>	<ul style="list-style-type: none"> <li>■ Retirez la batterie, inspectez les contacts, puis réinsérez la batterie.</li> <li>■ Rechargez la batterie.</li> <li>■ Laissez la batterie ou le bloc-moteur refroidir jusqu'à ce que la température passe en-dessous de 67 °C.</li> <li>■ Retirez la batterie de l'outil. Enlevez précautionneusement les obstructions, puis réinsérez la batterie et redémarrez l'outil.</li> </ul>
Vibrations ou bruits excessifs.	<ul style="list-style-type: none"> <li>■ Les lames sont corrodées ou manquent de lubrification.</li> <li>■ Une ou plusieurs lames sont tordues.</li> <li>■ Dents tordues ou endommagées.</li> <li>■ Les boulons de lame sont desserrés.</li> </ul>	<ul style="list-style-type: none"> <li>■ Lubrifiez les lames.</li> <li>■ Remplacez la lame par une lame neuve en suivant les consignes de la partie « CHANGER LA LAME » de ce manuel ou contactez le service client EGO.</li> <li>■ Remplacez la lame par une lame neuve en suivant les consignes de la partie « CHANGER LA LAME » de ce manuel ou contactez le service client EGO.</li> <li>■ Serrez les boulons de lame. A l'aide d'un clé six pans (non fournie), serrez le boulon dans le sens horaire.</li> </ul>

FR

## GARANTIE

### POLITIQUE DE GARANTIE EGO

Visitez le site Web [egopowerplus.com](http://egopowerplus.com) pour consulter les conditions complètes de la politique de garantie EGO.

## ¡LEA TODAS LAS INSTRUCCIONES!



**LEA EL MANUAL DEL USUARIO**

**ES**

**⚠ ¡Riesgo residual!** Las personas con implantes electrónicos, como marcapasos, deberán consultar a su médico antes de utilizar este producto. La utilización de equipos eléctricos en las proximidades inmediatas de un marcapasos podría causar en este interferencias o averías.

**⚠ ADVERTENCIA:** Para garantizar la seguridad y fiabilidad de la herramienta, las reparaciones y sustituciones debe realizarlas únicamente un técnico cualificado.

## SÍMBOLO DE SEGURIDAD

El propósito de los símbolos de seguridad es atraer su atención hacia posibles peligros. Los símbolos de seguridad y las explicaciones que los acompañan requieren su máxima atención y comprensión. Por sí solos, los símbolos de advertencia no eliminan los posibles peligros. Las instrucciones y advertencias que proporcionan no sustituyen a las medidas adecuadas de prevención de accidentes.

**⚠ ADVERTENCIA:** Antes de utilizar esta herramienta, asegúrese de haber leído y entendido perfectamente todas las instrucciones incluidas en este Manual del usuario, incluidos todos los símbolos de aviso sobre seguridad, tales como "PELIGRO", "ADVERTENCIA" y "PRECAUCIÓN". Si no se observan todas las instrucciones que se indican a continuación existe riesgo de incendio, electrocución, así como de lesiones graves.

## SIGNIFICADO DE LOS SÍMBOLOS

**⚠ SÍMBOLO DE AVISO DE SEGURIDAD:** Indica PELIGRO, ADVERTENCIA O PRECAUCIÓN, puede utilizarse de manera conjunta con otros símbolos o pictogramas.



**⚠ ADVERTENCIA:** Cuando se utilizan herramientas eléctricas, es posible que salgan despedidos objetos que podrían causar lesiones oculares graves. Antes de empezar a usar herramientas eléctricas, póngase siempre gafas de seguridad, gafas con cristales anti-impacto que cuenten con pantallas de protección lateral y una máscara facial completa. Recomendamos usar una máscara de seguridad de amplia visión que pueda utilizarse encima de gafas graduadas, o bien gafas normales de seguridad equipadas con pantallas laterales.

## PRECAUCIONES DE SEGURIDAD

Esta página muestra y describe los símbolos de seguridad que puede haber en este producto. Asegúrese de leer, comprender y cumplir todas las instrucciones que se indican en la máquina antes de proceder a su montaje y utilización.

	Aviso de seguridad	Indica una situación potencialmente peligrosa que, de no evitarse, podría provocar lesiones.
	Lea el Manual del usuario	Para reducir el riesgo de lesiones, el usuario debe leer el manual de instrucciones.
	Mantenga suficiente distancia respecto a las líneas eléctricas	Para evitar la electrocución, no utilice la herramienta a una distancia menor que 15 m de líneas eléctricas aéreas. El contacto con las líneas eléctricas o el uso cerca de las mismas podría provocar lesiones graves o una descarga eléctrica con resultado mortal.
	Ruido	Nivel de potencia acústica garantizado. La emisión de ruido al medio ambiente cumple la directiva de la Comunidad Europea.
	CE	Este producto está en conformidad con las directivas de la CE aplicables.
	RAEE	Los productos eléctricos no deben eliminarse con la basura doméstica. Llévelos a un centro de reciclaje autorizado.

	Mantenga las manos y los pies alejados del elemento de corte	No intente nunca utilizar la herramienta eléctrica con una mano. Podría perder el control de la herramienta y sufrir lesiones graves o mortales. Para reducir el riesgo de lesiones por corte, mantenga las manos y los pies alejados del elemento de corte. No toque nunca un elemento de corte con la mano ni con ninguna otra parte del cuerpo.
	Utilizar protección para la cabeza y protección ocular	Lleve siempre protección ocular y protección para la cabeza cuando utilice este producto.
IPX5	Símbolo de tipo de protección IP	Protección de nivel 5 contra la penetración de agua
V	Voltio	Tensión
mm	Milímetro	Longitud o tamaño
cm	Centímetro	Longitud o tamaño
kg	Kilogramo	Peso
	Corriente continua	Tipo o característica de la corriente

### ADVERTENCIAS DE SEGURIDAD RELACIONADAS CON EL CORTASETOS

- **Mantenga todas las partes del cuerpo apartadas de la cuchilla de corte. No retire el material cortado ni sujete el material a cortar mientras las cuchillas están en movimiento. Asegúrese de que el interruptor está en la posición de apagado antes de retirar material atrapado en la cuchilla.** Cualquier momento de descuido durante la utilización del cortasetos puede provocar lesiones graves.
- **Transporte el cortasetos sujetándolo por la empuñadura y con la cuchilla parada.** Durante el transporte o almacenamiento del cortasetos, coloque siempre el protector de cuchilla en la herramienta. La manipulación correcta del cortasetos reducirá el riesgo de lesiones debido a la cuchilla de corte.
- **Cuando transporte o guarde el cortasetos, instale siempre la cubierta de las cuchillas.** El manejo correcto del cortasetos reducirá el riesgo de lesiones producidas por las cuchillas.

- **Cuando quite material atascado o repare la herramienta, asegúrese de que estén apagados todos los interruptores y de que ha quitado o desconectado la batería.** Una acción inesperada del cortasetos al quitar material atascado o reparar la herramienta puede provocar lesiones graves.
- **Cuando quite material atascado o repare la herramienta, asegúrese de que estén apagados todos los interruptores y de que el bloqueo esté en la posición bloqueada.** Una acción inesperada del cortasetos al quitar material atascado o reparar la herramienta puede provocar lesiones graves.
- **Sujete el cortasetos únicamente por las superficies de agarre aisladas, ya que la cuchilla podría entrar en contacto con cables ocultos.** El contacto de las cuchillas con un cable bajo tensión podría hacer que las piezas metálicas expuestas del cortasetos transmitan tensión y provoquen una descarga eléctrica al usuario.
- **Mantenga todos los cables alejados del área de corte.** Los cables podrían quedar ocultos en arbustos o setos y las cuchillas podrían cortarlos accidentalmente.
- **No utilice el cortasetos cuando haga mal tiempo, especialmente si hay riesgo de relámpagos.** Así reducirá el riesgo de ser alcanzado por un rayo.

### INSTRUCCIONES DE SEGURIDAD ADICIONALES PARA CORTASETOS DE LARGO ALCANCE

- **Para reducir el riesgo de electrocución, no use nunca el cortasetos de largo alcance cerca de líneas eléctricas.** El contacto con las líneas eléctricas o el uso cerca de las mismas podría provocar lesiones graves o una descarga eléctrica con resultado mortal.
- **Utilice el cortabordes de largo alcance siempre con las dos manos.** Sujete el cortabordes de largo alcance con las dos manos para evitar perder el control.
- **Lleve siempre protección en la cabeza cuando utilice el cortabordes de largo alcance.** La caída de residuos podría provocar lesiones graves.
- **Examine detenidamente los setos por si albergaran objetos extraños, por ejemplo, vallas de alambre y cableado oculto.**
- **Sujete la herramienta eléctrica únicamente por sus superficies de agarre aisladas.**
- El cortasetos está previsto para que el usuario lo utilice al nivel del suelo, y no sobre escaleras de manos ni otros soportes inestables.
- Utilice únicamente las baterías y cargadores indicados en la fig. A2.

### GUARDE ESTAS INSTRUCCIONES

EN EL MANUAL DEL USUARIO DEL ACCESORIO APLICABLE ENCONTRARÁ REGLAS DE SEGURIDAD ESPECÍFICAS ADICIONALES

## ESPECIFICACIONES

Longitud de la cuchilla	510 mm	
Capacidad de corte	26 mm	
Temperatura de funcionamiento recomendada	de 0 °C a 40 °C	
Temperatura de almacenamiento recomendada	de -20 °C a 70 °C	
Peso	2,67 kg	
Nivel de potencia acústica medido $L_{WA}$	93,75 dB(A) K=3 dB(A)	
Nivel de presión acústica medido a la altura del oído del usuario $L_{PA}$	83 dB(A) K=3 dB(A)	
Nivel de potencia acústica garantizado $L_{WA}$ (medido según 2000/14/CE)	95 dB(A)	
Evaluación de la vibración $a_h$	Empuñadura delantera	1,3 m/s <sup>2</sup> K=1,5 m/s <sup>2</sup>
	Empuñadura trasera	1,5 m/s <sup>2</sup> K=1,5 m/s <sup>2</sup>

- Los parámetros anteriores se han comprobado y medido equipando un conjunto de motor telescópico PPX1000.
- El valor de vibración total ha sido medido de acuerdo con el método de prueba estándar y se puede utilizar para comparar herramientas.
- El valor total de vibración declarado se puede usar además en una evaluación preliminar del grado de exposición.

**AVISO:** Las vibraciones generadas durante el uso real de la herramienta eléctrica pueden diferir del valor declarado en función de la manera en que se utilice. Como protección, el usuario debería utilizar guantes y protectores auditivos en condiciones reales de uso.

## DESCRIPCIÓN

### FAMILIARÍCESE CON LA HERRAMIENTA CORTASETOS (fig. A1)

- Casquillo trasero
- Casquillo delantero
- Carcasa del motor
- Funda de la cuchilla
- Cuchilla

## LISTA DEL CONTENIDO (A2)

**⚠ ADVERTENCIA:** Si alguna pieza falta o está rota, no utilice el producto hasta haber sustituido las piezas. Podrían producirse lesiones graves en caso de utilizar el producto si alguna de sus piezas falta o está dañada.

**⚠ ADVERTENCIA:** Quite siempre la batería del producto antes de instalar piezas, efectuar ajustes, proceder a su limpieza, o cuando el producto no esté en uso.

### AJUSTE DEL ÁNGULO DEL CABEZAL DE CORTE

Cuando saque del embalaje la herramienta cortasetos, la encontrará plegada en la posición de almacenamiento (fig. B). El ángulo de la articulación y el giro radial del cabezal de corte se pueden ajustar de manera independiente. Antes de usar la herramienta, ajuste el cabezal de corte a una posición de trabajo adecuada.

### Ajuste del ángulo de la articulación

Hay seis posiciones de trabajo. El ángulo de la cuchilla se puede ajustar de -68° a 42° (fig. C).

- Tire hacia atrás del casquillo delantero y, a continuación, sujete firmemente la cubierta del motor para girar el ángulo de corte a la posición que desee.

C-1	Casquillo delantero
C-2	Casquillo trasero

- Cuando haya alcanzado el ángulo que desee, empuje el casquillo hacia delante para bloquear la posición del cabezal de corte.

### Ajuste del giro radial

Hay dos posiciones de corte vertical (fig. D). Se pueden ajustar 90° a la derecha o a la izquierda.

- Tire hacia atrás del casquillo trasero y, a continuación, sujete firmemente la cubierta del motor para girar la cuchilla a la posición que desee.
- Cuando haya alcanzado el ángulo que desee, empuje el casquillo hacia delante para bloquear la posición del cabezal de corte.

**⚠ ADVERTENCIA:** Para reducir el riesgo de lesiones, quite la batería antes de hacer ajustes, y realice los ajustes solo cuando las cuchillas estén paradas. No toque nunca las cuchillas mientras hace los ajustes.

**⚠ ADVERTENCIA:** La caja de engranajes de aleación de fundición se calienta mucho. No toque nunca la caja de engranajes de aleación de fundición sin llevar puestos guantes de PPE.

## INSTALAR/DESMONTAR LA HERRAMIENTA CORTASETOS EN EL CONJUNTO DE MOTOR TELESCÓPICO (fig. E)

Esta herramienta cortasetos está diseñada para el uso con el conjunto de motor telescópico PPX1000 de EGO.

Consulte el apartado «**INSTALAR UNA HERRAMIENTA EN EL CONJUNTO DE MOTOR TELESCÓPICO**» del manual del usuario del conjunto de motor telescópico PPX1000 para conectar el cortasetos al conjunto de motor.

Consulte el apartado «**DESMONTAR LA HERRAMIENTA DEL CONJUNTO DE MOTOR TELESCÓPICO**» del manual del usuario del conjunto de motor telescópico PPX1000 para quitar el cortasetos del conjunto de motor.

### MONTAJE DEL PROTECTOR DE LA PUNTA (opcional)

- Utilice una llave hexagonal (no incluida) para quitar el tornillo corto, la arandela plana, el casquillo y la tuerca en el extremo de la cuchilla. Guarde la arandela plana, el casquillo y la tuerca para volver a utilizarlos (fig. F).

F-1	Tuerca	F-3	Arandela plana
F-2	Casquillo	F-4	Tornillo corto

- Alinee el protector de la punta con el saliente de la cuchilla, e instálo en el lugar correspondiente. Sujételo con un nuevo juego de tornillo largo y tuerca, así como la arandela, el casquillo y la tuerca que ha guardado en el paso anterior (fig. G).

G-1	Tuerca	G-4	Casquillo
G-2	Protector de la punta	G-5	Arandela plana
G-3	Tuerca	G-6	Tornillo largo

## FUNCIONAMIENTO

**⚠ PELIGRO:** No corte nunca cerca de líneas eléctricas, cables eléctricos ni otras fuentes de electricidad. ¡Si las cuchillas se atascan en un cable o línea eléctrica, **NO TOQUE LA CUCHILLA NI EL TUBO DE ALUMINIO! PODRÍAN ESTAR BAJO TENSIÓN Y RESULTAR EXTREMADAMENTE PELIGROSOS.** Continúe sujetando la herramienta cortasetos por la empuñadura aislada o dépositela con cuidado a una distancia segura. Desconecte el suministro eléctrico que alimenta el cable dañado antes de intentar liberar la cuchilla del cable donde se ha atascado. El contacto con la cuchilla u otras piezas de la herramienta cortasetos conductoras de corriente, o con las líneas o cables eléctricos bajo tensión, provocará la muerte por electrocución o lesiones graves.

**⚠ ADVERTENCIA:** No permita que el hecho de estar familiarizado con el producto le haga descuidarse. Recuerde que cualquier distracción de una fracción de segundo es suficiente para provocar lesiones graves.

**⚠ ADVERTENCIA:** Utilice siempre protección ocular. De lo contrario, de la herramienta pueden salir objetos despedidos y alcanzar los ojos, provocando lesiones graves.

**⚠ ADVERTENCIA:** No utilice piezas o accesorios no recomendados por el fabricante EGO™. La utilización de piezas o accesorios no recomendados puede provocar lesiones graves.

### APLICACIONES

Puede usar este producto para cortar setos, arbustos, matorrales y materiales similares con un diámetro del tallo inferior a Ø 26 mm.

### USO DEL CORTASETOS CON EL CONJUNTO DE MOTOR TELESCÓPICO

**⚠ ADVERTENCIA:** Utilice ropa adecuada cuando trabaje con esta herramienta, para reducir el riesgo de lesiones. No lleve puesta ropa holgada ni joyas. Utilice protección auditiva. Utilice pantalones largos, botas y guantes resistentes. No lleve pantalones cortos, sandalias, ni vaya descalzo.

### PREPARACIÓN PARA EL CORTE:

- Ajuste el cabezal de corte a la posición de trabajo que desee.
- Quite la funda de la cuchilla de corte.
- Para un funcionamiento mejor y más seguro, póngase la correa bandolera cruzada desde el hombro. Ajuste la correa bandolera a una posición cómoda para utilizar la herramienta. Siga las instrucciones del apartado «**MONTAJE DE LA CORREA BANDOLERA**» en el manual del usuario del PPX1000 para instalar la correa bandolera en el conjunto de motor telescópico.

**⚠ ADVERTENCIA:** La correa bandolera también es un mecanismo de liberación rápida si se produce una situación peligrosa. En caso de emergencia, quítesela del hombro inmediatamente, sin importar cómo esté colocada la correa.

**⚠ ADVERTENCIA:** Utilice el cortabordes de largo alcance siempre con las dos manos. Sujete el cortabordes de largo alcance con las dos manos para evitar perder el control. Siga las instrucciones del apartado «**CÓMO SUJETAR EL CONJUNTO DE MOTOR TELESCÓPICO**» en el manual del usuario del PPX1000.

## TÉCNICAS DE TRABAJO

### Corte horizontal (con el cabezal de corte ajustado a un ángulo)

Corte cerca del suelo desde una posición de pie, por ejemplo, para cortar matorrales bajos.

ES

Mueva el cabezal de corte a la derecha y a la izquierda desplazándose a lo largo del seto. Utilice los dos lados de la cuchilla y no apoye la cuchilla en el suelo (fig. H).

### Corte horizontal (con el cabezal de corte recto)

Mantenga el cabezal de corte en un ángulo de 0° mientras mueve despacio el cortasetos horizontalmente. Mueva en arco el cabezal de corte hacia los lados exteriores del seto, de modo que los recortes se barran hacia el suelo (fig. I).

**Recomendación:** Con esta posición de trabajo corte únicamente setos que no sean más altos que la altura del pecho.

### Corte vertical (cabezal de corte ajustado a un ángulo)

Para cortar sin estar directamente junto al seto, por ejemplo, si hay un lecho de flores entre el usuario y el seto.

En esta posición de corte, para mejorar el control del cortasetos, se recomienda conectar la herramienta con el cabezal de corte en la posición de corte lateral.

Mueva el cabezal de corte hacia arriba y hacia abajo formando un arco mientras se desplaza a lo largo del seto. Utilice los dos lados de la cuchilla (fig. J).

### Corte vertical (con el cabezal de corte recto)

Alcance más largo sin necesidad de otros accesorios. Mueva el cabezal de corte hacia arriba y hacia abajo formando un arco mientras se desplaza a lo largo del seto. Utilice los dos lados de la cuchilla (fig. K).

### Corte elevado (con el cabezal de corte ajustado a un ángulo)

Mantenga el cortasetos en posición vertical y muévelo en arco para aprovechar al máximo su alcance (fig. L1 y L2). Para cortar setos extremadamente altos es adecuado el tubo de extensión.

**ADVERTENCIA:** Una posición de trabajo con la herramienta elevada por encima de la cabeza es fatigosa. Para minimizar el riesgo de accidente, trabaje en esa posición solo durante periodos breves. Ajuste el ángulo del cabezal de corte al máximo, de modo que la herramienta se pueda mantener en una posición más baja y menos fatigosa (con la correa bandolera), consiguiendo de todas formas un alcance adecuado.

## PONER EN MARCHA/APAGAR LA HERRAMIENTA

Consulte el apartado «PUESTA EN MARCHA/PARADA DEL CONJUNTO DE MOTOR TELESCÓPICO» del manual del usuario del conjunto de motor PPX1000.

## MANTENIMIENTO

**ADVERTENCIA:** Cuando repare la herramienta, utilice solo piezas idénticas a las originales. Examine la herramienta regularmente y lleve a cabo las operaciones de mantenimiento. Para garantizar la seguridad y fiabilidad de la herramienta, las reparaciones debe realizarlas únicamente un técnico cualificado.

**ADVERTENCIA:** Antes de inspeccionar, limpiar o realizar el mantenimiento de la herramienta, apague el motor, espere a que se detengan todas las partes móviles y quite la batería. El incumplimiento de estas instrucciones podría provocar lesiones personales graves o daños materiales.

**AVISO:** Antes de cada uso, examine todo el producto para ver si hay piezas dañadas, extraviadas o sueltas, como tornillos, tuercas, pernos, tapones, etc. Apriete bien todas las sujeciones y los tapones y no ponga en marcha el producto hasta haber reemplazado todas las piezas que falten o que estén dañadas. Póngase en contacto con el servicio al cliente o con un técnico de servicio cualificado.

## MANTENIMIENTO GENERAL

Evite utilizar disolventes para limpiar las piezas de plástico. La mayoría de los plásticos podrían dañarse si se limpian con algunos de los tipos de disolventes disponibles en el mercado. Utilice paños limpios para eliminar la suciedad y los residuos de polvo, aceite, grasa, etc.

## LUBRICACIÓN DE LA HERRAMIENTA CORTASETOS

1. Apague el motor y quite la batería.
2. Limpie la suciedad y restos de la herramienta cortasetos utilizando un paño húmedo con un detergente suave.

**AVISO:** No utilice detergentes fuertes en la carcasa de plástico o la empuñadura. Ciertos aceites aromáticos, tales como aquellos a base de limón o resina de pino podrían dañar estas piezas.

## ALMACENAMIENTO DE LA HERRAMIENTA CORTASETOS

1. Pare el motor y quite la batería del conjunto de motor telescópico.
2. Quite la herramienta cortasetos del conjunto de motor telescópico.



3. Limpie todo el material extraño de la herramienta cortasetos.
4. Guárdela en un lugar al que no pueda acceder ningún niño.
5. Manténgala apartada de agentes corrosivos, como productos químicos de jardinería y sal para deshielo.

### SUSTITUCIÓN DE LA CUCHILLA

**⚠ ADVERTENCIA:** Utilice siempre guantes cuando manipule la cuchilla, ya que incorpora elementos que están muy afilados y podrían tener rebabas.

1. Apague la herramienta y quite la batería.
2. Ajuste la cuchilla a la posición horizontal, asegurándose de que el conjunto de la cuchilla esté alineado con el tubo del cortasetos para facilitar el montaje (fig. M).

M-1	Tornillo 1# (tornillos cortos)	M-6	Casquillo
M-2	Cubierta inferior	M-7	Tornillo 2# (tornillos largos)
M-3	Placa de soporte 3#	M-8	Placa de soporte 2#
M-4	Palanca de unión	M-9	Conjunto de la cuchilla
M-5	Placa de soporte 1#	M-10	Bloque excéntrico

3. Utilice una llave hexagonal (no incluida) para aflojar los 6 tornillos 1# (tornillos cortos) en la cubierta inferior y quítelos.
4. Continúe aflojando los 2 tornillos 2# (tornillos largos) para quitar la placa de soporte 1# y 2#, así como los 2 casquillos. Los 2 casquillos se encuentran separados dentro de las dos ranuras rectangulares redondeadas en el conjunto de la cuchilla.
5. Quite la placa de soporte 3#.
6. Quite con cuidado la palanca de unión de la cuchilla.
7. Desmonte el conjunto de la cuchilla de la herramienta y asegúrese de que no se modifique la posición de montaje del bloque excéntrico.
8. Alinee el saliente hacia dentro en el nuevo conjunto de la cuchilla con el orificio en el interior de la palanca de unión, para instalar en su lugar el nuevo conjunto de la cuchilla.
9. Inserte los dos casquillos por separado en los dos rectángulos redondeados.
10. Monte la placa de soporte 1# y, a continuación, monte la placa de soporte 2#.
11. Mantenga los orificios interiores de la cuchilla, los casquillos y los orificios de las placas de soporte alineados con los orificios de los tornillos de la caja de engranajes. Instale los 2 tornillos largos en los orificios alineados y apriételos firmemente.

12. Mueva ligeramente la cuchilla superior hacia delante y hacia atrás para comprobar si la cuchilla se mueve sin obstáculos. De lo contrario, vuelva a montar las cuchillas hasta que la cuchilla superior se pueda mover libremente.
13. Instale la palanca de unión.
14. Alinee el orificio de la placa de soporte 3 # con el saliente del bloque excéntrico para instalar la placa de soporte en su lugar, asegurándose de que la placa esté situada exactamente en el centro, paralela a ambos extremos.
15. Monte la cubierta inferior sobre la caja de engranajes y sujétela con los 6 tornillos cortos.

### LUBRICACIÓN DE LA CUCHILLA (fig. N)

Para que la cuchilla del cortasetos funcione de forma óptima y tenga una larga vida útil, lubríquela utilizando aceite antióxido después de cada uso. **NO LLENE COMPLETAMENTE EL ORIFICIO DE ACEITE.**

1. Quite el tornillo del orificio de lubricación en la caja de engranajes con una llave hexagonal (no incluida).

N-1	Tornillo del orificio de lubricación
-----	--------------------------------------

2. Inyecte 5 g de grasa a través del orificio de lubricación en la caja de engranajes.
3. Apriete el tornillo cuando termine.

### LUBRICACIÓN DE LA CAJA DE ENGRANAJES

Para obtener un funcionamiento óptimo y una vida útil más larga del aparato, lubrique la caja de engranajes de la herramienta cortasetos con una grasa especial cada 100 horas de funcionamiento.

La grasa debe cumplir los siguientes requisitos:

- Grado de penetración NLGI: NLGI-2;
- Tipo de espesante: poliurea;
- Temperatura de funcionamiento recomendada: de - 40°C a 180°C;
- Además de lo anterior, la grasa también debe ser estable al cizallamiento, con características de presión excepcionales, con excelentes propiedades antidesgaste, y con perfecta estabilidad a la oxidación.

Siga los pasos que se indican a continuación para rellenar la grasa:

1. Apague la herramienta y quite la batería.
2. Utilice una llave hexagonal (no incluida) para aflojar los 3 tornillos cortos (O-1) en la cubierta del motor (O-2) y, a continuación, quite la cubierta del motor (Fig. O).

0-1	Tornillo corto	0-5	Arandela
0-2	Cubierta del motor	0-6	Caja de engranajes
0-3	Tornillo corto	0-7	Engranajes planetarios
0-4	Motor		

ES

3. Afloje los 3 tornillos cortos (0-3) en el motor y después desmonte el motor y la arandela.
4. Utilice una pistola de engrase (no incluida) para inyectar 5 g de grasa en el centro de los 3 engranajes planetarios superiores (0-7) en la caja de engranajes.

**NOTA:** Asegúrese de que no se altere la posición de las demás piezas cerca de la caja de engranajes durante la inyección.

5. Vuelva a montar la arandela y el motor apretando los 3 tornillos cortos (0-3).
6. Vuelva a montar la cubierta del motor apretando los 3 tornillos cortos (0-1).
7. Ponga en marcha la herramienta para comprobar si funciona normalmente. De lo contrario, vuelva a montarla siguiendo los pasos anteriores.

**NOTA:** Después de quitar la cubierta del motor, limpie el serrín alrededor del motor.

## Protección del medio ambiente



¡No elimine aparatos eléctricos, cargadores de baterías, pilas o baterías recargables junto con los desperdicios domésticos!

## SOLUCIÓN DE PROBLEMAS

PROBLEMA	CAUSA	SOLUCIÓN
El cortasetos no funciona.	<ul style="list-style-type: none"> <li>■ No hay contacto eléctrico entre la batería y el cortasetos.</li> <li>■ La batería está agotada.</li> <li>■ Ha actuado la protección contra sobretensión de la batería o la herramienta.</li> <li>■ La cuchilla está atascada.</li> </ul>	<ul style="list-style-type: none"> <li>■ Quite la batería, compruebe los contactos eléctricos y vuelva a instalarla.</li> <li>■ Cargue la batería.</li> <li>■ Espere a que la batería o el conjunto de motor telescópico se hayan enfriado lo suficiente para que su temperatura sea menor que 67 °C.</li> <li>■ Quite la batería de la herramienta. Elimine la obstrucción con cuidado, vuelva a instalar la batería y ponga en marcha la herramienta.</li> </ul>
Vibración o ruido excesivo.	<ul style="list-style-type: none"> <li>■ Cuchillas secas u oxidadas.</li> <li>■ Las cuchillas o el soporte de la cuchilla están doblados.</li> <li>■ Dientes doblados o dañados.</li> <li>■ Tornillos de la cuchilla sueltos.</li> </ul>	<ul style="list-style-type: none"> <li>■ Lubrique las cuchillas.</li> <li>■ Cámbielos por una cuchilla o un soporte nuevos siguiendo las instrucciones del apartado «SUSTITUCIÓN DE LA CUCHILLA» en este manual, o póngase en contacto con el centro de servicio técnico de EGO para que los cambien.</li> <li>■ Cambie la cuchilla por una nueva siguiendo las instrucciones del apartado «SUSTITUCIÓN DE LA CUCHILLA» en este manual, o póngase en contacto con el centro de servicio técnico de EGO para que la cambien.</li> <li>■ Apriete los tornillos de sujeción de la cuchilla. Use una llave dinamométrica (no incluida) para apretar el tornillo en sentido horario.</li> </ul>

ES

## GARANTÍA

### POLÍTICA DE GARANTÍA DE EGO

Visite la página web [egopowerplus.com](http://egopowerplus.com) para conocer los términos y condiciones completos de la política de garantía de EGO.

## LEIA TODAS AS INSTRUÇÕES!



### LEIA O MANUAL DE INSTRUÇÕES

PT

**⚠ Risco residual!** As pessoas com dispositivos eletrónicos, como pacemakers, deverão consultar o seu médico antes de utilizarem este produto. A utilização de equipamento elétrico perto de um pacemaker pode causar interferências ou falhas no pacemaker.

**⚠ AVISO:** Para assegurar a segurança e bom funcionamento, todas as reparações e substituições deverão ser efetuadas por um técnico de reparação qualificado.

## SÍMBOLO DE SEGURANÇA

O objetivo dos símbolos de segurança é chamar a atenção para possíveis perigos. Os símbolos de segurança e as respetivas explicações apresentadas requerem a sua atenção e compreensão. Os avisos de segurança, só por si, não eliminam o perigo. As instruções e avisos dados não são substitutos para medidas de prevenção adequadas a acidentes.

**⚠ AVISO:** Certifique-se de que lê e compreende todos os avisos de segurança neste manual do utilizador, incluindo todos os símbolos de alerta de segurança, como "PERIGO", "AVISO" e "CUIDADO" antes de usar esta ferramenta. O não cumprimento de todas as instruções apresentadas abaixo pode resultar em choque elétrico, incêndio e/ou lesões pessoais graves.

## SIGNIFICADO DOS SÍMBOLOS

### ⚠ SÍMBOLO DE ALERTA DE SEGURANÇA:

Indica **PERIGO**, **AVISO** ou **CUIDADO** e pode ser usado juntamente com outros símbolos ou imagens.



**⚠ AVISO:** O funcionamento de qualquer ferramenta elétrica pode dar origem ao ressalto de quaisquer objetos estranhos que podem atingir os olhos, podendo dar origem a sérias lesões oculares. Antes de começar a utilizar a ferramenta elétrica, utilize sempre óculos de segurança com proteções laterais e uma proteção completa para o rosto, quando necessário. Recomendamos a utilização de máscaras de segurança com visão panorâmica por cima dos óculos ou óculos de segurança padrão com proteção lateral.

## INSTRUÇÕES DE SEGURANÇA

Esta página retrata e descreve os símbolos de segurança que podem aparecer neste produto. Leia, compreenda e siga todas as instruções na máquina antes de tentar montar e utilizar.

	Alerta de segurança	Indica um potencial perigo de lesões pessoais.
	Leia o manual de instruções	De modo a reduzir os riscos de ferimentos, o utilizador deve ler o manual do utilizador.
	Mantenha uma distância suficiente das linhas elétricas.	Para evitar a eletrocussão, não trabalhe a menos de 15 metros de fios elétricos. O contacto com linhas elétricas pode causar lesões sérias ou choque elétrico que pode dar origem a morte.
	Ruído	Nível de potência do som garantido. Emissão de ruído para o ambiente de acordo com a diretiva da Comunidade Europeia.
	CE	Este produto encontra-se em conformidade com as diretivas CE aplicáveis.
	REEE	Os produtos elétricos residuais não deverão ser eliminados juntamente com o lixo doméstico comum. Entregue-os num centro de reciclagem autorizado.
	Mantenha as mãos e pés afastados da ferramenta de corte.	Nunca tente utilizar a sua ferramenta elétrica apenas com uma mão. A perda de controlo da ferramenta elétrica pode dar origem a ferimentos sérios ou fatais. Para reduzir o risco de cortes, mantenha as mãos e pés afastados da ferramenta de corte. Nunca fixe uma ferramenta de corte em movimento com as mãos ou qualquer outra parte do seu corpo.

	Use proteções oculares e para a cabeça.	Use sempre óculos de segurança e proteção para a cabeça quando utilizar este produto.
IPX5	Símbolo IP	Proteção contra a entrada de água de grau 5
V	Volts	Voltagem
mm	Milímetro	Comprimento ou tamanho
cm	Centímetro	Comprimento ou tamanho
kg	Quilograma	Peso
	Corrente direta	Tipo ou característica da corrente

### ⚠ AVISOS DE SEGURANÇA DO CORTA-SEBES

- **Mantenha todas as partes do corpo afastadas da lâmina de corte. Não retire o material cortado nem segure o material a ser cortado quando as lâminas se encontrarem em movimento.** Certifique-se de que o interruptor está na posição de desligado quando retirar material bloqueado. Um momento de falta de atenção enquanto trabalha com o corta-sebes pode resultar em ferimentos sérios.
- **Transporte o corta-sebes pela pega com a lâmina de corte parada.** Quando transportar ou guardar o corta-sebes, coloque sempre a cobertura do dispositivo de corte. Um manuseamento adequado do corta-sebes reduz a possibilidade de lesões devido às lâminas de corte.
- **Quando transportar ou armazenar o corta-sebes, coloque sempre a cobertura da lâmina.** O manuseamento correto do corta-sebes reduz a possibilidade de lesões pessoais com as lâminas de corte.
- **Quando libertar materiais obstruídos ou efetuar afinações na unidade, certifique-se de que todos os interruptores da alimentação estão desligados e que a bateria é retirada ou desligada.** Um funcionamento inesperado do corta-sebes enquanto liberta material obstruído ou durante a afinação pode dar origem a lesões pessoais sérias.
- **Quando libertar materiais obstruídos ou reparar a unidade, certifique-se de que todos os interruptores da alimentação estão desligados e que o desbloqueio está na posição de bloqueado.** Um funcionamento inesperado do corta-sebes enquanto liberta material obstruído ou durante a afinação pode dar origem a lesões pessoais sérias.
- **Segure o corta-sebes apenas pelas pegas isoladas, pois a lâmina pode entrar em contacto com fios escondidos.** O contacto das lâminas com um cabo

“vivo” pode fazer com que as peças de metal expostas do corta-sebes deem um choque elétrico ao operador.

- **Mantenha todos os fios da alimentação e cabos afastados da área de corte.** Fios da alimentação ou cabos podem estar ocultos nos arbustos e podem ser acidentalmente cortados pela lâmina.
- **Não use o corta-sebes com más condições atmosféricas, especialmente quando existir o risco de trovoadas.** Isto diminui o risco de ser atingido por um relâmpago.

PT

### ⚠ INSTRUÇÕES ADICIONAIS DE SEGURANÇA PARA CORTA-SEBES EXTENSÍVEIS

- **Para reduzir o risco de eletrocussão, nunca use o corta-sebes extensível perto de linhas elétricas.** O contacto com linhas elétricas pode causar lesões sérias ou choque elétrico que pode dar origem a morte.
- **Use sempre ambas as mãos quando utilizar o corta-sebes extensível.** Segure o corta-sebes extensível com ambas as mãos para evitar a perda de controlo.
- **Use sempre proteção para a cabeça quando utilizar o corta-sebes extensível acima do nível da cabeça.** Os detritos que caem podem dar origem a ferimentos sérios.
- **Verifique a sebe quanto a objetos estranhos antes da utilização do aparelho, como vedações de arame e cablagem oculta.**
- **Segure a ferramenta elétrica apenas através das pegas isoladas.**
- O corta-sebes foi criado para ser usado pelo operador ao nível da terra e não em escadas ou outro suporte instável.
- Utilize apenas com as baterias e carregadores listados na Imagem A2.

### GUARDE ESTAS INSTRUÇÕES

AS REGRAS DE SEGURANÇA ESPECÍFICAS ADICIONAIS PODEM SER ENCONTRADAS NOS MANUAIS DE INSTRUÇÃO DOS ACESSÓRIOS APLICÁVEIS.

### CARACTERÍSTICAS TÉCNICAS

Comprimento da lâmina	510 mm
Capacidade de corte	26 mm
Temperatura de funcionamento recomendada	0°C-40°C
Temperatura de armazenamento recomendada	-20°C-70°C
Peso	2,67 kg

Nível de potência do som medido $L_{WA}$	93,75 dB(A) K=1,7 dB(A)
Nível da pressão do som no ouvido do operador $L_{PA}$	83 dB(A) K=3 dB(A)
Nível de potência acústica garantido $L_{WA}$ (medido de acordo com 2000/14/CE)	95 dB(A)
Avaliação da vibração $a_h$	Pega dianteira $1,3 \text{ m/s}^2$ K=1,5 $\text{m/s}^2$
	Pega traseira $1,5 \text{ m/s}^2$ K=1,5 $\text{m/s}^2$

- As definições apresentadas anteriormente são testadas e medidas equipadas com a haste elétrica PPX1000.
- O valor total declarado da vibração foi medido de acordo com um método de teste padrão e pode ser usado para comparar duas ferramentas;
- O valor total declarado da vibração também pode ser usado numa avaliação preliminar da exposição.

**AVISO:** A emissão de vibrações durante a utilização da ferramenta elétrica pode diferir do valor declarado em que a ferramenta é usada. De modo a proteger o utilizador, este deverá usar luvas e proteção auditiva nas condições atuais de utilização.

## DESCRIÇÃO

### CONHEÇA O SEU ACESSÓRIO DE CORTA-SEBES (Imagem A1)

1. Casquilho traseiro
2. Casquilho dianteiro
3. Estrutura do motor
4. Cobertura da lâmina
5. Lâmina

### LISTA DE PEÇAS (A2)

**AVISO:** Se quaisquer peças estiverem danificadas ou em falta não utilize este produto até as peças serem substituídas. Utilizar este produto com peças danificadas ou em falta pode dar origem a lesões pessoais sérias.

**AVISO:** Retire sempre a bateria do produto quando estiver a montar peças, fazer ajustes, limpar ou quando não utilizar o produto.

### AJUSTE DO ÂNGULO DA CABEÇA DE CORTE

Quando o corta-sebes é retirado da embalagem, vem dobrado na sua posição de armazenamento (Imagem B).

O ângulo de articulação e rotação radial da cabeça de corte pode ser ajustado de forma independente. Ajuste a cabeça de corte para a posição de funcionamento desejada antes de começar.

### Ajuste do ângulo de articulação

Existem seis posições de funcionamento. O ângulo da lâmina de corte pode ser ajustado de  $-68^\circ$  a  $42^\circ$  (Imagem C).

1. Puxe o casquilho dianteiro para trás e segure firmemente a cobertura do motor para rodar o ângulo de corte para a posição desejada.

C-1	Casquilho dianteiro
C-2	Casquilho traseiro

2. Quando o ângulo desejado for obtido, pressione o casquilho para a frente para fixar a posição da cabeça de corte.

### Ajuste da rotação radial

Existem duas posições de corte vertical (Imagem D). Pode ser ajustado para a esquerda ou direita  $90^\circ$ .

1. Puxe o casquilho traseiro para trás e segure firmemente a cobertura do motor para rodar a lâmina para a posição desejada.
2. Quando o ângulo desejado for obtido, pressione o casquilho para a frente para fixar a posição da cabeça de corte.

**AVISO:** Para reduzir o risco de ferimentos, retire a bateria antes de efetuar ajustes, ou faça ajustes apenas quando as lâminas estiverem completamente paradas. Nunca toque nas lâminas enquanto efetuar ajustes.

**AVISO:** A caixa dos carretos de liga fundida está quente. Nunca toque na superfície da caixa dos carretos de liga fundida sem usar luvas de proteção.

### LIGAR/RETIRAR O ACESSÓRIO DO CORTA-SEBES DA HASTE TELESCÓPICA ELÉTRICA (Imagem E)

Este corta-sebes foi criado para ser usado com a haste telescópica elétrica EGO PPX1000.

Consulte a secção “**INSTALAR UM ACESSÓRIO NA HASTE TELESCÓPICA ELÉTRICA**” no manual de utilização da haste telescópica elétrica PPX1000 para ligar o corta-sebes à haste elétrica.

Consulte a secção “**RETIRAR O ACESSÓRIO DA HASTE TELESCÓPICA ELÉTRICA**” no manual de utilização da haste telescópica elétrica PPX1000 para retirar o corta-sebes à haste elétrica.

### MONTAR O PROTETOR DA PONTA (Opcional)

- Use uma chave sextavada (não incluída) para retirar o parafuso curto, a anilha plana, casquilho e porca na extremidade da lâmina de corte. Guarde a anilha plana, casquilho e porca para voltar a montar (Imagem F).

F-1	Porca	F-3	Anilha plana
F-2	Casquilho	F-4	Parafuso curto

- Alinhe o protetor da ponta com a saliência na lâmina de corte e monte no respetivo lugar. Fixe com o novo parafuso comprido e porca, bem como com a anilha, casquilho e porca guardados (Imagem G).

G-1	Porca	G-4	Casquilho
G-2	Protetor da ponta	G-5	Anilha plana
G-3	Porca	G-6	Parafuso comprido

### FUNCIONAMENTO

**⚠ PERIGO:** Nunca corte perto de linhas elétricas, cabos elétricos ou outras fontes elétricas. Se as lâminas de corte prenderem em qualquer fio ou linha elétrica, **NÃO TOQUE NA LÂMINA DE CORTE NEM NA HASTE DE ALUMÍNIO! ESTAS PODEM ESTAR SOB TENSÃO E PODEM SER MUITO PERIGOSAS.** Continue a segurar o corta-sebes pela pega isolada ou pouse-o afastado de si, de forma segura. Desligue o dispositivo elétrico da linha ou fio danificado antes de tentar libertar a lâmina da linha ou do fio. O contacto com a lâmina, outras peças condutoras do corta-sebes ou fios elétricos pode dar origem a morte por electrocussão ou ferimentos sérios.

**⚠ AVISO:** Não deixe que a sua familiaridade com o produto o torne descuidado. Lembre-se de que uma fração de segundo de desatenção é o suficiente para sofrer um ferimento sério.

**⚠ AVISO:** Utilize sempre proteção ocular. Se não o fizer, pode apanhar com objetos nos olhos, dando origem a possíveis ferimentos graves.

**⚠ AVISO:** Não utilize quaisquer ligações ou acessórios não recomendados pelo fabricante EGO™. O uso de ligações ou acessórios não recomendados pode resultar em ferimentos pessoais graves.

### APLICAÇÕES

Pode utilizar este produto para cortar sebes, arbustos, moitas e material semelhante com um diâmetro de ramo inferior a Ø26 mm.

### USAR O CORTA-SEBES COM A HASTE TELESCÓPICA

### ELÉTRICA

**⚠ AVISO:** Vista-se adequadamente para reduzir o risco de lesões quando utilizar este aparelho. Não utilize roupa larga ou jóias. Utilize proteções oculares e auditivas. Utilize calças compridas e resistentes, botas e luvas. Não utilize roupa curta, sandálias nem ande descalço.

### PREPARAÇÃO PARA O CORTE:

- Ajuste a cabeça de corte para a posição de funcionamento desejada.
- Retire a bainha da lâmina da lâmina de corte.
- Por razões de segurança e para um melhor funcionamento, coloque a alça para o ombro. Ajuste a alça numa posição de funcionamento confortável. Siga as instruções na secção **“MONTAGEM DA ALÇA PARA O OMBRO”** no manual de utilização da PPX1000 para fixar a alça na haste telescópica elétrica.

**⚠ AVISO:** A alça para o ombro é também um mecanismo de libertação rápida em situações perigosas. Quando ocorre uma emergência, retire-a imediatamente do seu ombro, não importa o modo como a alça se encontra.

**⚠ AVISO:** Use sempre ambas as mãos quando utilizar o corta-sebes extensível. Segure o corta-sebes extensível com ambas as mãos para evitar a perda de controlo. Siga as instruções na secção **“SEGURAR A HASTE TELESCÓPICA ELÉTRICA”** no manual de instruções da PPX1000.

### TÉCNICAS DE TRABALHO

#### Corte horizontal (com a cabeça de corte num ângulo)

Corte arbustos baixos, perto do chão, a partir de uma posição estável.

Oscile a cabeça de corte para a direita e para a esquerda à medida que vai avançando pela sebe. Use ambos os lados das lâminas e não coloque a lâmina de corte no chão (Imagem H).

#### Corte horizontal (com cabeça de corte direita)

Segure a cabeça de corte a um ângulo de 0° à medida que oscila horizontalmente o corta-sebes. Oscile a cabeça de corte em arco para o lado de fora da sebe, de modo a que os restos caiam para o chão (Imagem I).

**Recomendações:** Corte sebes que não sejam mais altas do que a altura do seu peito nesta posição de trabalho.

#### Corte vertical (com a cabeça de corte num ângulo)

Corte sem estar diretamente ao lado da sebe, como nos casos em que haja um canteiro entre o operador e a sebe.

Nesta posição de corte, controla melhor o corta-sebes.

Recomendamos que ligue o corta-sebes à cabeça de corte na posição de corte lateral.

Oscile a cabeça de corte para cima e para baixo em arco à medida que vai avançando na sebe. Use ambos os lados da lâmina de corte (Imagem J).

PT

### Corte vertical (com cabeça de corte direita)

Alcance extra longo sem precisar de outro tipo de auxílio. Oscile a cabeça de corte para cima e para baixo em arco à medida que vai avançando na sebe. Use ambos os lados da lâmina de corte (Imagem K).

### Corte acima da altura da sua cabeça (com a cabeça de corte num ângulo)

Segure o corta-sebes na vertical e oscile-o em arco para aproveitar ao máximo o seu alcance (Imagem L1 e L2). Para sebes extremamente altas, a haste de extensão é adequada para ajudar no corte.

**⚠️ AVISO:** Qualquer posição de trabalho acima da altura da cabeça é cansativa. Para minimizar o risco de acidentes, trabalhe nesta posição apenas durante curtos períodos de tempo. Defina o ângulo da cabeça de corte para o máximo, de modo a que a ferramenta possa ser segurada numa posição mais baixa e menos cansativa (com a alça para o ombro) enquanto continua a ter o alcance adequado.

### LIGAR/DESLIGAR A FERRAMENTA

Consulte a secção “LIGAR/DESLIGAR A HASTE TELESCÓPICA ELÉTRICA” no manual de utilização da haste elétrica PPX1000.

## MANUTENÇÃO

**⚠️ AVISO:** Quando fizer reparações, utilize apenas peças sobresselentes idênticas. Inspeccione e efetue a manutenção da máquina com regularidade. Para assegurar a segurança e bom funcionamento, todas as reparações deverão ser efetuadas por um técnico de reparação qualificado.

**⚠️ AVISO:** Antes de inspecionar, limpar ou reparar a unidade, pare o motor, espere que todas as peças móveis parem por completo e retire a bateria. O não seguimento destas instruções pode dar origem a ferimentos sérios ou danos patrimoniais.

**⚠️ AVISO:** Antes de cada utilização, inspeccione todo o produto quanto a peças danificadas, em falta ou soltas, como parafusos, porcas, tampas, etc. Aperte bem todos os fixadores e tampas e não utilize este produto até que todas as peças em falta ou danificadas sejam substituídas. Contacte o centro de apoio ao cliente ou um técnico de reparação qualificado.

# 40

CORTA-SEBES COM BATERIA DE IÃO E LÍTIU DE 56 VOLTS — PTX5100

### MANUTENÇÃO GERAL

Evite usar solventes quando limpar peças de plástico. Grande parte dos plásticos é suscetível a danos devido a vários tipos de solventes comerciais. Use panos limpos para retirar a sujidade, pó, óleo, gordura, etc.

### LIMPAR O CORTA-SEBES

1. Pare o motor e retire a bateria.
2. Limpe a sujidade e o lixo do corta-sebes, usando um pano ligeiramente embebido em água e detergente neutro.

**AVISO:** Não utilize detergentes fortes na estrutura de plástico ou na pega. Estes podem ser danificados por determinados óleos aromáticos, como pinho e limão.

### GUARDAR O CORTA-SEBES

1. Pare o motor e retire a bateria da haste telescópica elétrica.
2. Retire o corta-sebes da haste telescópica elétrica.
3. Limpe todos os objetos estranhos do corta-sebes.
4. Guarde num local inacessível a crianças.
5. Mantenha-o afastado de agentes corrosivos, como químicos de jardinagem e sais de degelo.

### SUBSTITUIÇÃO DA LÂMINA

**⚠️ AVISO:** Use sempre luvas quando manusear a lâmina. Estes componentes estão afiados e podem conter rebarbas.

1. Desligue a ferramenta e retire a bateria.
2. Ajuste a lâmina na horizontal, certificando-se de que o conjunto da lâmina está alinhado com o eixo do corta-sebes, para uma montagem fácil (Imagem M).

M-1	Parafuso 1# (parafusos curtos)	M-6	Casquilho
M-2	Cobertura inferior	M-7	Parafuso 2# (parafusos compridos)
M-3	Placa de suporte 3#	M-8	Placa de suporte 2#
M-4	Alavanca do elo	M-9	Conjunto da lâmina
M-5	Placa de suporte 1#	M-10	Bloco do excêntrico

3. Use uma chave sextavada (não incluída) para desapertar os 6 parafusos 1# (parafusos curtos) na cobertura superior, e retire-os.
4. Continue a desapertar os 2 parafusos 2# (parafusos compridos) para retirar a placa de suporte 1# e 2#, bem como os 2 casquilhos. Os 2 casquilhos localizam-se separadamente no interior das duas ranhuras retangulares redondas no conjunto da lâmina.
5. Retire a placa de suporte 3#.
6. Retire cuidadosamente a alavanca do elo da lâmina.



7. Retire o conjunto da lâmina da ferramenta e certifique-se de que a posição do conjunto do bloco do excêntrico permanece inalterada.
8. Alinhe a saliência para dentro no novo conjunto da lâmina com o orifício no interior da alavanca do elo para instalar o novo conjunto da lâmina.
9. Insira os dois casquilhos nos dois retângulos redondos em separado.
10. Monte a placa de suporte 1# e depois monte a placa de suporte 2#.
11. Mantenha os orifícios interiores na lâmina, casquilhos e orifícios nas placas de suporte alinhados com os orifícios dos parafusos na caixa dos carretos. Instale os 2 parafusos compridos nos orifícios alinhados, e aperte-os bem.
12. Mova ligeiramente a lâmina superior para a frente e para trás para se certificar de que ela se move livremente. Se não for o caso, volte a montar as lâminas até que a lâmina superior se possa mover livremente.
13. Instale a alavanca do elo.
14. Alinhe o orifício da placa de suporte 3# com a saliência no bloco do excêntrico para instalar a placa de suporte no respetivo lugar, certificando-se de que a placa fica exatamente no centro, paralela a ambas as extremidades.
15. Monte a cobertura inferior na caixa dos carretos e fixe com os 6 parafusos curtos.

#### LUBRIFICAR A LÂMINA (Imagem N)

Para uma utilização facilitada e um maior tempo de vida da lâmina, lubrifique a lâmina do corta-sebes com óleo anti-ferrugem após cada utilização. NÃO ENCHA POR COMPLETO O ORIFÍCIO DO ÓLEO.

1. Retire o parafuso do orifício do óleo na caixa dos carretos com uma chave sextavada (não incluída).

N-1	Parafuso do orifício do óleo
-----	------------------------------

2. Injete 5 g de lubrificante através do orifício de lubrificação na caixa dos carretos.
3. Quando terminar, aperte o parafuso.

#### LUBRIFICAR O CARRETO PRIMÁRIO

Para um melhor funcionamento e um maior tempo de vida, lubrifique o carreto primário do corta-sebes com um lubrificante especial após cada 100 horas de funcionamento.

O lubrificante deverá ir ao encontro dos seguintes requisitos:

- Classe de penetração NLGI: NLGI-2;
- Tipo de espessante: Poliureia;

- Temperatura de funcionamento recomendada: -40 °C a 180 °C;
- Para além do apresentado anteriormente, o lubrificante também deverá ser estável à rotura, com características de pressão excecionais e excelente propriedade anti-degaste, e perfeita estabilidade de oxidação.

Siga os passos apresentados abaixo para encher com lubrificante:

1. Desligue a ferramenta e retire a bateria.
2. Use uma chave sextavada (não incluída) para desapertar e retirar os 3 parafusos curtos (0-1) na cobertura do motor (0-2) e depois retire a cobertura do motor (Imagem O).

0-1	Parafuso curto	0-5	Anilha
0-2	Cobertura do motor	0-6	Caixa do carreto
0-3	Parafuso curto	0-7	Engrenagens
0-4	Motor		

3. Desaperte os 3 parafusos curtos (0-3) no motor, e depois liberte o motor e a anilha.
4. Use uma pistola lubrificante (não incluída) para injetar 5 g de lubrificante no centro das 3 engrenagens (0-7) na caixa dos carretos.

**NOTA:** Certifique-se de que a posição das outras peças perto da caixa dos carretos permanece inalterada durante a injeção.

5. Volte a montar a anilha e o motor, apertando os 3 parafusos curtos (0-3).
6. Volte a montar a cobertura do motor, apertando os 3 parafusos curtos (0-1).
7. Ligue a ferramenta para se certificar de que funciona normalmente. Se não for o caso, volte a montar conforme descrito anteriormente.

**NOTA:** Após retirar a cobertura do motor, limpe a serradura em redor do motor.

#### Proteja o ambiente



Não elimine equipamento elétrico, carregador da bateria e baterias/baterias recarregáveis juntamente com o lixo doméstico comum!

**RESOLUÇÃO DE PROBLEMAS****PT**

PROBLEMA	CAUSA	SOLUÇÃO
O corta-sebes não funciona.	<ul style="list-style-type: none"><li>■ Não existe contacto elétrico entre o corta-sebes e a bateria.</li><li>■ A bateria está gasta.</li><li>■ A proteção contra temperatura excessiva na bateria ou ferramenta foi ativada.</li><li>■ A lâmina está presa.</li></ul>	<ul style="list-style-type: none"><li>■ Retire a bateria, verifique os contactos e volte a instalar a bateria.</li><li>■ Carregue a bateria.</li><li>■ Deixe a bateria ou haste elétrica arrefecer até que a temperatura atinja menos de 67 °C.</li><li>■ Retire a bateria da ferramenta. Retire cuidadosamente a obstrução e volte a inserir a bateria e a reiniciar a ferramenta.</li></ul>
Vibração excessiva ou ruído.	<ul style="list-style-type: none"><li>■ Lâminas secas ou corroídas.</li><li>■ As lâminas ou suporte das lâminas está dobrado.</li><li>■ Dentes dobrados ou danificados.</li><li>■ Parafusos da lâmina soltos.</li></ul>	<ul style="list-style-type: none"><li>■ Lubrifique as lâminas.</li><li>■ Substitua por uma lâmina ou suporte novo, seguindo a secção "SUBSTITUIÇÃO DA LÂMINA" neste manual, ou contacte o centro de reparação da EGO para que se proceda à substituição.</li><li>■ Substitua por uma lâmina nova, seguindo a secção "SUBSTITUIÇÃO DA LÂMINA" neste manual, ou contacte o centro de reparação da EGO para que se proceda à substituição.</li><li>■ Aperte os parafusos da lâmina. Com uma chave sextavada (não incluída), rode o parafuso no sentido dos ponteiros do relógio para apertar.</li></ul>

**GARANTIA****POLÍTICA DE GARANTIA EGO**

Visite o website [egopowerplus.com](http://egopowerplus.com) para os termos e condições completos da política de garantia da EGO.

## LEGGERE TUTTE LE ISTRUZIONI!



### LEGGERE IL MANUALE DI ISTRUZIONI

**⚠️ Rischi residui!** Le persone portatrici di dispositivi elettronici, ad esempio pacemaker, devono consultare il proprio medico prima di usare questo prodotto. L'uso di apparecchi elettrici in prossimità di pacemaker cardiaci comporta il rischio di interferenze o malfunzionamento del pacemaker.

**⚠️ AVVERTENZA!** Per garantire sicurezza e affidabilità, tutte le riparazioni e sostituzioni devono essere eseguite da un tecnico qualificato.

## SIMBOLI DI SICUREZZA

Lo scopo dei simboli di sicurezza è attirare l'attenzione dell'operatore su possibili pericoli. I simboli di sicurezza e le relative spiegazioni richiedono la massima attenzione e comprensione da parte dell'operatore. Le avvertenze espresse dai simboli, da sole, non eliminano tutti i rischi. Le istruzioni e le avvertenze non sostituiscono le adeguate misure di prevenzione contro gli incidenti.

**⚠️ AVVERTENZA!** Accertarsi di aver letto e compreso tutte le istruzioni di sicurezza in questo manuale, inclusi tutti i simboli di avvertenza come "PERICOLO", "AVVERTENZA" e "ATTENZIONE", prima di usare questo apparecchio. Il mancato rispetto di tutte le istruzioni elencate di seguito comporta il rischio di scossa elettrica, incendio e/o lesioni gravi.

## SIGNIFICATO DEI SIMBOLI

**⚠️ SIMBOLO DI AVVERTENZA:** indica **PERICOLO**, **AVVERTENZA** o **ATTENZIONE**; può essere usato in combinazione con altri simboli o icone.



**⚠️ AVVERTENZA!** L'uso di apparecchi elettrici può causare il lancio di oggetti estranei verso l'operatore, con il rischio di lesioni gravi agli occhi. Durante l'uso dell'apparecchio, indossare sempre occhiali protettivi o occhiali di sicurezza con protezioni laterali e, se necessario, una maschera facciale. Si consiglia di indossare una maschera di sicurezza con ampio campo visivo sopra gli occhiali o occhiali di sicurezza standard con protezioni laterali.

## AVVERTENZE DI SICUREZZA

Questa pagina illustra e descrive i simboli di sicurezza che possono comparire sul prodotto. Leggere, comprendere e seguire tutte le istruzioni sull'apparecchio prima di tentare di assemblarlo e ripararlo.

	Avvertenza di sicurezza	Indica un potenziale rischio di infortunio.
	Leggere il manuale di istruzioni	Per ridurre il rischio di infortuni, leggere il manuale di istruzioni.
	Mantenere una distanza sufficiente dalle linee elettriche	Per evitare il rischio di folgorazione, non usare l'apparecchio entro 15 m da linee elettriche sospese. Il contatto o l'utilizzo in prossimità di linee elettriche comporta il rischio di lesioni gravi, scossa elettrica o morte.
	Emissione acustica	Livello di potenza sonora garantito Emissione acustica ambientale ai sensi della direttiva dell'Unione europea.
	CE	Questo prodotto è conforme alle direttive europee applicabili.
	RAEE	I prodotti elettrici non devono essere smaltiti insieme ai rifiuti domestici. Portarli presso un centro di riciclaggio autorizzato.
	Tenere mani e piedi lontani dall'accessorio di taglio.	Non tentare di usare l'utensile elettrico con una sola mano. La perdita di controllo dell'utensile elettrico comporta il rischio di lesioni gravi o fatali. Per ridurre il rischio di lesioni da taglio, tenere mani e piedi lontani dall'accessorio di taglio. Non toccare un accessorio di taglio in movimento con le mani o altre parti del corpo.

IT

	Indossare protezioni per gli occhi e la testa.	Durante l'uso del prodotto, indossare sempre protezioni per gli occhi e le orecchie.
IPX5	Simbolo IP	Protezione contro l'ingresso di acqua di livello 5
V	Volt	Tensione
mm	Millimetro	Lunghezza o dimensioni
cm	Centimetro	Lunghezza o dimensioni
kg	Chilogrammo	Peso
	Corrente continua	Tipo o caratteristica della corrente

## AVVERTENZE DI SICUREZZA SPECIFICHE PER TAGLIASIEPI

- **Tenere tutte le parti del corpo distanti dalla lama. Non rimuovere il materiale tagliato e non tenere in mano il materiale da tagliare mentre le lame sono in movimento.** Assicurarsi che l'interruttore sia in posizione di arresto prima di rimuovere il materiale incastrato. Anche un solo momento di disattenzione durante l'uso del tagliasiepi comporta il rischio di lesioni gravi.
- **Trasportare il tagliasiepi tramite l'impugnatura e con la lama completamente ferma.** Posizionare sempre il coprilama sulla lama prima di trasportare o riporre il tagliasiepi. La corretta manipolazione del tagliasiepi riduce il rischio di lesioni causate dalla lama.
- **Posizionare sempre il coprilama sulla lama prima di trasportare o riporre il tagliasiepi.** La manipolazione corretta del tagliasiepi riduce il rischio di lesioni causate dalle lame.
- **Prima di rimuovere il materiale incastrato o di effettuare lavori sull'apparecchio, assicurarsi che l'interruttore sia in posizione di arresto e che il gruppo batteria sia stato rimosso o scollegato.** L'avvio accidentale del tagliasiepi durante la rimozione di materiale incastrato o di lavori sul tagliasiepi comporta il rischio di lesioni gravi.
- **Prima di rimuovere il materiale incastrato o di effettuare lavori sull'apparecchio, assicurarsi che l'interruttore sia in posizione di arresto e che il pulsante di sbloccaggio sia in posizione di bloccaggio.** L'avvio accidentale del tagliasiepi durante la rimozione di materiale incastrato o di lavori sul tagliasiepi comporta il rischio di lesioni gravi.

- **Tenere il tagliasiepi esclusivamente tramite le superfici di presa isolate, perché la lama può entrare in contatto con cavi elettrici nascosti.** Se le lame toccano un cavo elettrificato possono trasmettere la corrente alle parti metalliche del tagliasiepi, esponendo l'operatore al rischio di scossa elettrica
- **Tenere i cavi elettrici lontani dall'area di taglio.** I cavi possono essere nascosti nella siepe o nei cespugli e venire accidentalmente tagliati dalla lama.
- **Non usare il tagliasiepi in condizioni climatiche avverse, in particolare se sussiste il rischio di fulmini.** Ciò riduce il rischio di essere colpiti da un fulmine.

## ULTERIORI AVVERTENZE DI SICUREZZA SPECIFICHE PER TAGLIASIEPI TELESCOPICI

- **Per ridurre il rischio di folgorazione, non usare il tagliasiepi telescopico in prossimità di linee elettriche.** Il contatto o l'utilizzo in prossimità di linee elettriche comporta il rischio di lesioni gravi, scossa elettrica o morte.
- **Impugnare il tagliasiepi telescopico con entrambe le mani durante l'uso.** Impugnare il tagliasiepi telescopico con entrambe le mani per evitare il rischio di perdita di controllo.
- **Indossare una protezione per la testa durante l'uso del tagliasiepi telescopico sopra il livello della propria testa.** La caduta di detriti può comportare gravi infortuni.
- **Controllare che la siepe sia priva di oggetti estranei, ad recinzioni metalliche o cavi nascosti.**
- **Tenere l'utensile elettrico esclusivamente tramite le impugnature isolanti.**
- Questo tagliasiepi deve essere usato con l'operatore a livello del terreno, non su scale o altri supporti instabili.
- Usare l'apparecchio esclusivamente con i gruppi batteria e i caricabatteria elencati in Fig. A2.

## CONSERVARE QUESTE ISTRUZIONI

ULTERIORI AVVERTENZE DI SICUREZZA SPECIFICHE SONO RIPORTATE NEL MANUALE DI ISTRUZIONI DELL'ACCESSORIO APPLICABILE.

## SPECIFICHE TECNICHE

Lunghezza della lama	510 mm
Profondità di taglio	26 mm
Temperatura di funzionamento raccomandata	Da 0°C a 40°C
Temperatura di conservazione raccomandata	Da -20°C a 70°C
Peso	2,67 kg

Livello di potenza sonora misurato $L_{WA}$		93,75 dB(A) K=1,7 dB(A)
Livello di pressione sonora a livello dell'orecchio dell'operatore $L_{PA}$		83 dB(A) K=3 dB(A)
Livello di potenza sonora garantito $L_{WA}$ (misurato conformemente a 2000/14/EC)		95 dB(A)
Valore di emissione delle vibrazioni $a_h$	Impugnatura anteriore	1,3 m/s <sup>2</sup> K=1,5 m/s <sup>2</sup>
	Impugnatura posteriore	1,5 m/s <sup>2</sup> K=1,5 m/s <sup>2</sup>

- I parametri sopra riportati sono stati collaudati e misurati in combinazione con l'asta motore PPX1000.
- Il valore totale dichiarato delle vibrazioni è stato misurato con un metodo di valutazione standard e può essere utilizzato per confrontare l'apparecchio con altri prodotti analoghi.
- Il valore totale di vibrazioni indicato può essere utilizzato anche per una valutazione preliminare dei livelli di esposizione.

**NOTA:** l'emissione di vibrazioni durante l'uso effettivo dell'apparecchio può variare rispetto al valore indicato in base a come viene utilizzato l'utensile. Per proteggersi, l'operatore deve indossare guanti e dispositivi di protezione per le orecchie in base alle reali condizioni d'uso.

## DESCRIZIONE

### DESCRIZIONE DELL'ACCESSORIO TAGLIASIEPI (Fig. A1)

1. Boccola posteriore
2. Boccola anteriore
3. Vano motore
4. Coprilama
5. Lama

### CONTENUTO DELL'IMBALLAGGIO (FIG. A2)

## ASSEMBLAGGIO

**AVVERTENZA!** In caso di componenti danneggiati o mancanti, non usare l'apparecchio finché i componenti non vengono sostituiti. L'uso dell'apparecchio con componenti danneggiati o mancanti comporta il rischio di lesioni gravi.

**AVVERTENZA!** Rimuovere il gruppo batteria dall'apparecchio quando non è in uso e prima delle operazioni di assemblaggio, regolazione e pulizia.

## REGOLAZIONE DELLA TESTA DI TAGLIO

Il tagliasepi è imballato in posizione ripiegata (Fig. B). L'inclinazione e l'orientamento della lama possono essere regolati in modo indipendente. Regolare la testa di taglio in una delle posizioni operative prima dell'uso.

### Inclinazione della lama

Sono disponibili 6 posizioni operative. L'inclinazione della lama può essere regolata da -68° a 42° (Fig. C).

1. Tirare all'indietro la boccola anteriore e afferrare saldamente il vano motore per modificare l'inclinazione della lama.

C-1	Boccola anteriore
C-2	Boccola posteriore

2. Dopo aver raggiunto l'inclinazione desiderata, spingere la boccola in avanti per bloccare la testa di taglio in posizione.

### Orientamento della lama

Sono disponibili due posizioni di taglio verticale (Fig. D). La lama può essere orientata di 90° verso destra o sinistra.

1. Tirare all'indietro la boccola posteriore e afferrare saldamente il vano motore per modificare l'orientamento della lama.
2. Dopo aver raggiunto l'orientamento desiderato, spingere la boccola in avanti per bloccare la testa di taglio in posizione.

**AVVERTENZA!** Per ridurre il rischio di lesioni, rimuovere la batteria e assicurarsi che le lame siano completamente ferme prima di effettuare qualsiasi regolazione. Non toccare mai le lame durante le operazioni di regolazione.

**AVVERTENZA!** La scatola ingranaggi è molto calda. Prima di toccare la superficie della scatola ingranaggi, indossare dei guanti di protezione.

### INSTALLAZIONE/RIMOZIONE DELL'ACCESSORIO TAGLIASIEPI DALL'ASTA MOTORE TELESCOPICA (Fig. E)

Questo accessorio tagliasepi è progettato per l'uso con l'asta motore telescopica EGO PPX1000.

Per collegare il tagliasepi all'asta motore, consultare la sezione "INSTALLAZIONE DELL'ACCESSORIO SULL'ASTA MOTORE TELESCOPICA" nel manuale di istruzioni dell'asta motore telescopica EGO PPX1000.

Per scollegare il tagliasepi dall'asta motore, consultare la sezione "RIMOZIONE DELL'ACCESSORIO DALL'ASTA MOTORE TELESCOPICA" nel manuale di istruzioni dell'asta motore telescopica EGO PPX1000.

## INSTALLAZIONE DELLA PROTEZIONE DELLA PUNTA (opzionale)

1. Usare una chiave esagonale (non inclusa) per rimuovere il bullone corto, la rondella piana, la boccola e il dado sull'estremità della lama. Conservare la rondella piana, la boccola e il dado per il riassettaggio (Fig. F).

F-1	Dado	F-3	Rondella piana
F-2	Boccola	F-4	Bullone corto

2. Allineare la protezione della punta con la sporgenza sulla lama di taglio e installarla in posizione. Fissarla con il bullone lungo e il dado nuovi e con la rondella, la boccola e il dado vecchi (Fig. G).

G-1	Dado	G-4	Boccola
G-2	Protezione della punta	G-5	Rondella piana
G-3	Dado	G-6	Bullone lungo

## UTILIZZO

**⚠ PERICOLO!** Non tagliare in prossimità di linee elettriche, cavi elettrici o altre fonti di elettricità. Se la lama si inceppa in un cavo elettrico, **NON TOCCARE LA LAMA O L'ASTA IN ALLUMINIO! POSSONO DIVENTARE ELETRIFICATE E MOLTO PERICOLOSE.** Continuare a tenere l'accessorio taglia siepi tramite l'impugnatura isolata posteriore o appoggiarlo lontano da sé in modo sicuro. Scollegare la fonte di alimentazione del cavo danneggiato prima di tentare di sbloccare la lama dal cavo. Il contatto con la lama, altri componenti conduttori elettrici del taglia siepi, linee o cavi elettrificati comporta il rischio di morte per folgorazione o lesioni gravi.

**⚠ AVVERTENZA!** La familiarità con questo apparecchio non deve rendere l'operatore disattento. Anche un solo momento di disattenzione comporta il rischio di lesioni gravi.

**⚠ AVVERTENZA!** Indossare sempre protezioni per gli occhi per evitare il rischio di oggetti proiettati verso gli occhi dell'operatore e altre lesioni gravi.

**⚠ AVVERTENZA!** Non usare accessori non raccomandati da EGO™. L'uso di accessori non raccomandati può causare lesioni gravi.

### APPLICAZIONI

Questo apparecchio è destinato alla rifinitura di siepi, arbusti, cespugli e materiali simili con rami di diametro inferiore a 26 cm.

### UTILIZZO DEL TAGLIASIEPI CON L'ASTA MOTORE TELESCOPICA

**⚠ AVVERTENZA!** Vestirsi adeguatamente per ridurre

il rischio di infortunio durante l'uso dell'utensile. Non indossare indumenti ampi o gioielli. Indossare dispositivi di protezione per gli occhi/orecchie. Indossare pantaloni lunghi e pesanti, stivali e guanti. Non indossare pantaloni corti o sandali e non usare l'apparecchio a piedi nudi.

### PREPARAZIONE AL TAGLIO

1. Regolare la testa di taglio in una delle posizioni operative.
2. Rimuovere il coprilama dalla lama.
3. Per un funzionamento efficiente e sicuro, indossare la tracolla sulla spalla. Regolare la tracolla per una posizione di lavoro confortevole. Per installare la tracolla sull'unità motore, consultare la sezione "INSTALLAZIONE DELLA TRACOLLA" nel manuale di istruzioni dell'asta motore PPX1000.

**⚠ AVVERTENZA!** La tracolla funziona anche da meccanismo di rilascio rapido in situazioni di pericolo. In caso di emergenza, sfilarla immediatamente dalla spalla, indipendentemente dalla sua modalità di fissaggio.

**⚠ AVVERTENZA!** Impugnare il taglia siepi telescopico con entrambe le mani durante l'uso. Impugnare il taglia siepi telescopico con entrambe le mani per evitare il rischio di perdita di controllo. Consultare la sezione "IMPUGNATURA DELL'ASTA MOTORE TELESCOPICA" nel manuale di istruzioni dell'asta motore PPX1000.

### TECNICHE DI TAGLIO

#### Taglio orizzontale (con testa di taglio ad angolo)

Per tagli in prossimità del terreno, ad es. per la rifinitura di cespugli bassi.

Far oscillare la testa di taglio lateralmente muovendosi lungo il materiale. Usare entrambi i lati della lama e non appoggiarla sul terreno (Fig. H).

#### Taglio orizzontale (con testa di taglio dritta)

Tenere la testa di taglio a un angolo di 0° facendola oscillare orizzontalmente. Far oscillare la testa di taglio ad arco verso il bordo esterno della siepe, in modo tale che i residui di taglio vengano spazzati sul terreno (Fig. I).

**Raccomandazione:** in questa posizione operativa, non tagliare siepi superiore all'altezza del torace.

#### Taglio verticale (con testa di taglio ad angolo)

Per tagli a distanza dalla siepe, ad es. se è presente un'aiuola tra l'operatore e la siepe.

In questa posizione operativa, per un miglior controllo del taglia siepi, si raccomanda di regolare la testa di taglio in posizione di taglio laterale.

Far oscillare la testa di taglio su e giù ad arco muovendosi lungo il materiale. Usare entrambi i lati della lama (Fig. J).

#### Taglio verticale (con testa di taglio dritta)

Per tagliare a distanza senza usare altri utensili. Far oscillare la testa di taglio su e giù ad arco muovendosi lungo il materiale. Usare entrambi i lati della lama di taglio (Fig. K).

#### Taglio sopraelevato (con testa di taglio ad angolo)

Tenere il tagliasiepi verticalmente e farlo oscillare ad arco per sfruttare completamente la sua portata (Fig. L1 e L2). In caso di siepi particolarmente alte, usare l'asta telescopica.

**AVVERTENZA!** La posizione operativa sopraelevata è faticosa. Per minimizzare il rischio di incidenti, lavorare in tale posizione per brevi periodi. Impostare la testa di taglio alla massima angolazione per poter tenere l'utensile in una posizione più bassa e meno stancante (con la tracolla), mantenendo una portata adeguata.

#### AVVIO/ARRESTO DELL'UTENSILE

Consultare la sezione "AVVIO/ARRESTO DELL'ASTA MOTORE TELESCOPICA" nel manuale di istruzioni dell'asta motore PPX1000.

## MANUTENZIONE

**AVVERTENZA!** Per la riparazione dell'apparecchio, usare esclusivamente parti di ricambio identiche. Ispezionare l'apparecchio e sottoporlo a regolare manutenzione. Per garantire sicurezza e affidabilità, tutte le riparazioni e le sostituzioni devono essere eseguite da un tecnico qualificato.

**AVVERTENZA!** Prima di ispezionare, pulire o regolare l'apparecchio, arrestare il motore, attendere che tutte le parti mobili si arrestino e rimuovere il gruppo batteria. Il mancato rispetto di queste istruzioni comporta il rischio di lesioni gravi o danni materiali.

**NOTA:** Prima di ogni utilizzo, ispezionare l'intero apparecchio per verificare che nessun elemento sia mancante e non siano presenti componenti danneggiati o allentati, ad esempio viti, bulloni, cappucci, ecc. Serrare saldamente tutti i dispositivi di fissaggio e non usare l'apparecchio finché tutti i componenti mancanti o danneggiati non vengono sostituiti. Contattare il servizio clienti o un tecnico qualificato.

#### MANUTENZIONE GENERALE

Evitare l'uso di solventi durante la pulizia delle parti in plastica. La maggior parte dei materiali plastici può essere

danneggiata da diversi tipi di solventi in commercio. Usare un panno pulito per rimuovere sporczia, polvere, olio, grasso, ecc.

#### PULIZIA DELL'ACCESSORIO TAGLIASIEPI

1. Arrestare il motore e rimuovere il gruppo batteria.
2. Rimuovere sporczia e detriti dall'accessorio tagliasiepi usando un panno inumidito con del detergente neutro.

**NOTA:** non usare detergenti aggressivi sulle superfici esterne in plastica o sull'impugnatura perché possono essere danneggiate da alcuni oli aromatici, come pino e limone.

#### CONSERVAZIONE DELL'ACCESSORIO TAGLIASIEPI

1. Arrestare l'apparecchio e rimuovere il gruppo batteria dall'asta motore telescopica.
2. Rimuovere l'accessorio tagliasiepi dall'asta motore telescopica.
3. Rimuovere tutti i materiali estranei dall'accessorio tagliasiepi.
4. Conservarlo in un luogo inaccessibile ai bambini.
5. Tenerlo al riparo da agenti corrosivi, ad esempio sostanze chimiche per il giardinaggio e sale per disgelo.

#### SOSTITUZIONE DELLA LAMA

**AVVERTENZA!** Indossare guanti durante la manipolazione della lama perché è affilata e può presentare bavature.

1. Arrestare l'apparecchio e rimuovere il gruppo batteria.
2. Portare la lama in posizione orizzontale, assicurandosi che sia in linea con l'asta del tagliasiepi per facilitare l'assemblaggio (Fig. M).

M-1	Vite 1# (vite corta)	M-6	Boccola
M-2	Copertura inferiore	M-7	Vite 2# (vite lunga)
M-3	Piastra di supporto 3#	M-8	Piastra di supporto 2#
M-4	Leva di collegamento	M-9	Gruppo lama
M-5	Piastra di supporto 1#	M-10	Blocco eccentrico

3. Allentare le 6 viti 1# (viti corte) sulla copertura inferiore con una chiave esagonale (non inclusa) e rimuoverle.
4. Allentare le 2 viti 2# (viti lunghe) per rimuovere la piastra di supporto 1# e 2# e le 2 boccole. Le 2 boccole sono situate individualmente all'interno delle due fessure ovali nel gruppo lama.

5. Rimuovere la piastra di supporto 3#.
6. Rimuovere con attenzione la leva di collegamento dalla lama.
7. Rimuovere il gruppo lama dall'utensile e assicurarsi che la posizione del blocco eccentrico rimanga invariata.
8. Allineare la sporgenza interna del nuovo gruppo lama con il foro all'interno della leva di collegamento e installare il nuovo gruppo lama.
9. Inserire le due boccole nelle due fessure ovali.
10. Installare la piastra di supporto 1# e la piastra di supporto 2#.
11. Mantenere i fori interni della lama, le boccole e i fori delle piastre di supporto in linea con i fori delle viti sulla scatola ingranaggi. Installare le 2 viti lunghe nei fori allineati e serrarle saldamente.
12. Spostare leggermente la lama superiore avanti e indietro per assicurarsi che si muova liberamente. In caso contrario, riassemblare le lame finché la lama superiore non possa muoversi liberamente.
13. Installare la leva di collegamento.
14. Allineare il foro della piastra di supporto 3# con la sporgenza sul blocco eccentrico per installare la piastra in posizione. Assicurarsi che la piastra sia posizionata esattamente al centro, parallela a entrambi i bordi.
15. Installare la copertura inferiore sulla scatola ingranaggi e fissarla con 6 viti corte.

### LUBRIFICAZIONE DELLA LAMA (Fig. N)

Per le migliori prestazioni e una maggiore durata di servizio della lama, lubrificarla prima e dopo ogni utilizzo con dell'olio antiruggine. **NON RIEMPIRE COMPLETAMENTE IL FORO DI LUBRIFICAZIONE.**

1. Rimuovere le viti del foro di lubrificazione sulla scatola ingranaggi con una chiave esagonale (non inclusa).

N-1	Vite del foro di lubrificazione
-----	---------------------------------

2. Iniettare 5 g di lubrificante nel foro.
3. Serrare le viti.

### LUBRIFICAZIONE DEGLI INGRANAGGI

Per le migliori prestazioni e una maggiore durata di servizio, lubrificare gli ingranaggi dell'accessorio tagliasiepi con del grasso speciale ogni 100 ore di utilizzo.

Il grasso deve rispettare i requisiti elencati di seguito.

- Classificazione NLG: NLGI-2
- Addensante: poliurea

- Temperatura di funzionamento raccomandata: da -40°C a 180°C.
- Inoltre, il grasso deve essere resistente alle forze di taglio, con eccellenti caratteristiche di pressione e ossidazione e con proprietà anti-usura.

Per lubrificare gli ingranaggi, procedere come descritto di seguito.

1. Arrestare l'apparecchio e rimuovere il gruppo batteria.
2. Usare una chiave esagonale (non inclusa) per allentare e rimuovere le 3 viti corte (0-1) sul coperchio del motore (0-2), quindi rimuovere il coperchio (Fig. 0).

0-1	Vite corta	0-5	Rondella
0-2	Coperchio del motore	0-6	Scatola ingranaggi
0-3	Vite corta	0-7	Ingranaggi satellite
0-4	Motore		

3. Allentare le 3 viti corte (0-3) sul motore, quindi rimuovere il motore e la guarnizione.
4. Con una pistola per grasso (non inclusa), iniettare 5 g di grasso al centro dei 3 ingranaggi satellite superiori (0-7) nella scatola ingranaggi.

**NOTA:** Assicurarsi che la posizione degli altri componenti in prossimità della scatola ingranaggi rimanga invariata durante la lubrificazione.

5. Riassemblare la guarnizione e il motore serrando le 3 viti corte (0-3).
6. Riassemblare il coperchio del motore serrando le 3 viti corte (0-1).
7. Avviare l'apparecchio per assicurarsi che funzioni correttamente. In caso contrario, riassemblarlo come descritto in precedenza.

**NOTA:** dopo aver rimosso il coperchio del motore, rimuovere eventuali detriti intorno al motore.

### Protezione dell'ambiente



Non smaltire apparecchi elettrici, caricabatteria e batterie/batterie ricaricabili insieme ai rifiuti indifferenziati!



## RISOLUZIONE DEI PROBLEMI

PROBLEMA	CAUSA	SOLUZIONE
Il tagliaerba non funziona.	<ul style="list-style-type: none"> <li>■ Nessun contatto elettrico tra il decespugliatore e la batteria.</li> <li>■ Il gruppo batteria è scarico.</li> <li>■ Il gruppo batteria o l'utensile elettrico sono troppo caldi.</li> <li>■ La lama è inceppata.</li> </ul>	<ul style="list-style-type: none"> <li>■ Rimuovere la batteria, ispezionare i contatti e reinstallare il gruppo batteria.</li> <li>■ Ricaricare il gruppo batteria.</li> <li>■ Attendere che la temperatura del gruppo batteria o dell'asta motore scenda al di sotto di 67°C.</li> <li>■ Rimuovere il gruppo batteria dal dispositivo. Rimuovere attentamente l'ostruzione, quindi reinserire la batteria e riavviare l'utensile.</li> </ul>
Rumore o vibrazioni eccessivi.	<ul style="list-style-type: none"> <li>■ Le lame sono asciutte o corrose.</li> <li>■ Le lame o il supporto della lama sono piegati.</li> <li>■ I denti sono piegati o danneggiati.</li> <li>■ I bulloni della lama sono allentati.</li> </ul>	<ul style="list-style-type: none"> <li>■ Lubrificare le lame.</li> <li>■ Sostituire la lama come indicato alla sezione "SOSTITUZIONE DELLA LAMA" in questo manuale o contattare un centro di assistenza EGO.</li> <li>■ Sostituire la lama come indicato alla sezione "SOSTITUZIONE DELLA LAMA" in questo manuale o contattare un centro di assistenza EGO.</li> <li>■ Serrare i bulloni della lama. Con una chiave esagonale (non inclusa), ruotare il bullone in senso orario per serrarlo.</li> </ul>

IT

## GARANZIA

### CONDIZIONI DELLA GARANZIA EGO

Visitare il sito web [egopowerplus.com](http://egopowerplus.com) per consultare le condizioni complete della garanzia EGO.

## LEES ALLE INSTRUCTIES!



### LEES DE GEBRUIKSAANWIJZING

**⚠ Restriscio!** Personen met elektronische apparaten, zoals pacemakers, moeten eerst hun arts(en) raadplegen voordat ze dit product gebruiken. De werking van een elektrisch apparaat in de nabijheid van een pacemaker kan een storing of defect van de pacemaker veroorzaken.

**⚠ WAARSCHUWING:** Om een continue veiligheid en betrouwbaarheid te waarborgen, dienen alle reparaties en vervangingen van onderdelen uitgevoerd te worden door een vakbekwame reparateur.

## VEILIGHEIDSSYMBOL

Het doel van de veiligheidssymbolen is om u te wijzen op mogelijke gevaren. Besteed daarom voldoende aandacht hieraan en begrijp de veiligheidssymbolen en bijbehorende uitleg. De symboolwaarschuwingen op zich elimineren geen enkel gevaar. De verstrekte instructies en waarschuwingen gelden niet als vervanging voor gepaste voorzorgsmaatregelen tegen ongevallen.

**⚠ WAARSCHUWING:** Lees en begrijp alle veiligheidsinstructies die in deze gebruiksaanwijzing staan vermeld, waaronder alle veiligheidssymbolen zoals "GEVAAR," "WAARSCHUWING," en "OPGELET" voordat u dit gereedschap in gebruik neemt. Het negeren van onderstaande instructies kan leiden tot een elektrische schok, brand en/of ernstig persoonlijk letsel.

## BETEKENIS VAN DE SYMBOLEN

**⚠ VEILIGHEIDS-WAARSCHUWINGSSYMBOL:** Duidt op **GEVAAR, WAARSCHUWING, OF OPLETTEN**, kan worden gebruikt in combinatie met andere symbolen of pictogrammen.



**⚠ WAARSCHUWING:** De werking van het apparaat kan leiden tot het rondslingeren van (vreemde) objecten die in uw ogen kunnen terechtkomen. Dit kan leiden tot ernstig oogletsel. Wanneer u elektrisch gereedschap gebruikt, zorg er dan voor dat u altijd een veiligheidsbril (met zijschermen) of een gelaatsscherm draagt. We bevelen aan om een gelaatsscherm over uw bril of standaard veiligheidsbril met zijschermen te gebruiken.

## VEILIGHEIDSSYMBOLEN

Deze pagina toont en beschrijft alle veiligheidssymbolen die zich op dit product kunnen bevinden. Lees, begrijp en volg alle instructies op de machine voordat u deze in elkaar zet en gebruikt.

	Veiligheidswaarschuwing	Geef een risico op persoonlijk letsel aan.
	Lees de gebruiksaanwijzing	De gebruiker moet de gebruiksaanwijzing lezen om het risico op letsel te beperken.
	Houd voldoende afstand tot elektrische stroomkabels	Om elektrocutie te voorkomen, mag u niet binnen een straal van 15 m van bovengrondse elektriciteitskabels werken. Contact met of het gebruik naast elektriciteitskabels kan ernstig letsel of een elektrische schok met de dood tot gevolg hebben.
	Geluid	Gewaarborgd geluidsvermogensniveau. Geluidsemisatie voor de omgeving in overeenstemming met de richtlijnen van de Europese Unie.
	CE	Dit product is in overeenstemming met de EG-richtlijnen.
	WEEE	Gooi elektrisch afval niet via het huishoudelijk afval weg. Breng het naar een geautoriseerd recyclingbedrijf.
	Houd handen en voeten uit de buurt van het snijgereedschap	Probeer nooit uw elektrisch gereedschap met één hand te bedienen. Controleer ook of het elektrisch gereedschap kan resulteren in ernstig of fataal letsel. Om het risico op snijwonden te verminderen, dient u handen en voeten uit de buurt van het snijgereedschap te houden. Raak nooit een bewegend snijgereedschap aan met uw hand of een ander deel van uw lichaam.

NL

	Draag oog- en hoofdbescherming	Draag altijd oog- en gehoorbescherming wanneer u dit product gebruikt.
IPX5	IP symbool	Bescherming tegen het binnendringen van water klasse 5
V	Volt	Spanning
mm	Millimeter	Lengte of afmeting
cm	Centimeter	Lengte of afmeting
kg	Kilogram	Gewicht
	Gelijks-troom	Stroomtype of -karakteristiek

### VEILIGHEIDSWAARSCHUWINGEN VOOR HEGGENSCHAREN

- **Houd alle lichaamsdelen uit de buurt van het zaagblad. Verwijder geen snoeimateriaal of houd het te snoeien materiaal niet vast wanneer de zaagbladen in beweging zijn. Zorg dat het apparaat is uitgeschakeld wanneer u vastgelopen materiaal verwijdert.** Een moment van onoplettendheid tijdens het gebruik van de heggenschaar kan leiden tot ernstig persoonlijk letsel.
- **Draag de heggenschaar aan het handvat met een niet werkend zaagblad.** Plaats altijd het zaagbladhoes wanneer u de heggenschaar transporteert of opbergt. Een juiste hantering van de heggenschaar beperkt de kans op persoonlijk letsel dat door de zaagbladen wordt veroorzaakt.
- **Tijdens het transport of de opslag van de heggenschaar dient u altijd de zaagbladhoes aan te brengen.** Als u op de juiste manier omgaat met de heggenschaar, neemt het risico van persoonlijk letsel door de messen af.
- **Wanneer u vastgelopen materiaal verwijdert of onderhoud aan het apparaat uitvoert, moet u controleren of alle aan-/uit-schakelaars zijn uitgeschakeld en het accupack is verwijderd of losgekoppeld.** Onverwachte inschakeling van de heggenschaar tijdens het verwijderen van vastgelopen materiaal of onderhoud kan leiden tot ernstig persoonlijk letsel.
- **Wanneer u vastgelopen materiaal verwijdert of onderhoud aan het gereedschap uitvoert, moet u controleren of alle aan-/uit-schakelaars zijn uitgeschakeld en de vergrendeling in de vergrendelde positie staat.** Onverwachte inschakeling van de heggenschaar tijdens het verwijderen van vastgelopen materiaal of onderhoud kan leiden tot ernstig persoonlijk letsel.

- **Houd de heggenschaar alleen bij de geïsoleerde greepvlakken vast, omdat het mes in contact kan komen met verborgen bedrading.** Messen die in aanraking komen met een onder stroom staande draad, kunnen de blootgestelde metalen onderdelen van de heggenschaar onder stroom zetten en de gebruiker een elektrische schok geven.
- **Houd alle stroomkabels en kabels uit de buurt van het snijgebied.** Stroomkabels en kabels kunnen worden verborgen door heggen en struiken en kunnen per ongeluk worden doorgesneden door het mes.
- **Gebruik de heggenschaar niet onder slechte weersomstandigheden, vooral niet als er sprake is op kans op bliksem.** Hierdoor neemt het risico te worden getroffen door bliksem, af.

NL

### AANVULLENDE VEILIGHEIDSWAARSCHUWINGEN VOOR HEGGENSCHAREN MET VERLENGDE REIKWIJDTE

- **Om het risico op een elektrische schok te verminderen, mag u de heggenschaar met verlengde reikwijdte niet in de buurt van elektrische kabels gebruiken.** Contact met of het gebruik naast elektriciteitskabels kan ernstig letsel of een elektrische schok met de dood tot gevolg hebben.
- **Gebruik altijd twee handen tijdens het gebruik van de heggenschaar met verlengde reikwijdte.** Houd de heggenschaar met verlengde reikwijdte vast met beide handen om een verlies van controle te voorkomen.
- **Gebruik altijd hoofdbescherming als u de heggenschaar met verlengde reikwijdte boven uw hoofd gebruikt.** Vallend afval kan resulteren in ernstig persoonlijk letsel.
- **Controleer de haag op vreemde voorwerpen voor gebruik, zoals draadafrastering en verborgen kabels.**
- **Houd het elektrisch gereedschap alleen vast aan de geïsoleerde grepen.**
- De heggenschaar is bestemd voor het gebruik door een bediener op grondniveau en niet op ladders of andere ongeschikte ondersteuning
- Gebruik alleen met in afb. A2 vermelde accupacks en opladers

### BEWAAR DEZE GEBRUIKSAANWIJZING

### AANVULLENDE SPECIFIEKE VEILIGHEIDSRICHTLIJNEN VINDT U IN DE DESBETREFFENDE GEBRUIKSAANWIJZING.

### SPECIFICATIES

Lengte van het zaagblad	510 mm
Snijvermogen	26 mm

Aanbevolen bedrijfstemperatuur	0°C-40°C	
Aanbevolen opslagtemperatuur	-20°C-70°C	
Gewicht	2,67 kg	
Gemeten geluidsvermogensniveau $L_{WA}$	93,75 dB(A)	$K=1,7$ dB(A)
Geluidsdrukniveau bij het oor van de bediener $L_{PA}$	83 dB(A)	$K=3$ dB(A)
Gegarandeerd geluidsvermogensniveau $L_{WA}$ (gemeten volgens 2000/14/EG)	95 dB(A)	
Inschatting van de vibratie $a_h$	Voorste handgreep	1,3 m/s <sup>2</sup> $K=1,5$ m/s <sup>2</sup>
	Achterste handgreep	1,5 m/s <sup>2</sup> $K=1,5$ m/s <sup>2</sup>

- De bovengenoemde parameters werden getest en gemeten met de motor stok PPX1000;
- De opgegeven totale vibratiewaarde is gemeten volgens de standaard testmethode en kan worden gebruikt om het apparaat met een ander apparaat te vergelijken;
- De opgegeven totale vibratiewaarde kan tevens worden gebruikt in een voorafgaande beoordeling op blootstelling.

**OPMERKING:** De vibratie-afgifte tijdens het werkelijk gebruik van het elektrisch gereedschap kan verschillen van de opgegeven totale waarde; Om de bediener te beschermen dient de gebruiker tijdens het gebruik handschoenen en gehoorbescherming te dragen.

## BESCHRIJVING

### KEN UW HEGGENSCHAAR TOEBEHOOR (afb. A1)

- Lager aan de achterzijde
- Lager aan de voorzijde
- Motorbehuizing
- Mesbeschermer
- Mes

### INHOUD VAN DE VERPAKKING (A2)

## MONTAGE

**WAARSCHUWING:** Als er onderdelen beschadigd zijn of ontbreken, gebruik dit product niet totdat alle onderdelen vervangen of aanwezig zijn. Dit product gebruiken met beschadigde of ontbrekende onderdelen kan ernstig persoonlijk letsel veroorzaken.

**WAARSCHUWING:** Verwijder altijd het accupack uit het product wanneer u onderdelen monteert, aanpassingen uitvoert, het product reinigt of wanneer het niet in gebruik is.

### SNIJDHOOFD HOEKAANPASSING

Als het heggenschaar toebehoor uit de verpakking wordt gehaald, is het opgevouwen en in zijn opbergpositie (afb. B). De articulatiehoek en radiale rotatie van het snijdhout kan onafhankelijk worden ingesteld. De snijkop aanpassen voor een geschikte werkpositie alvorens het gebruik.

### Articulatiehoek instelling

Er staan zes werkposities ter beschikking. De hoek van het zaagblad kan worden ingesteld van -68° tot 42° (afb. C).

- Trek het lager aan de voorzijde terug en houd de motorafdekking vervolgens stevig vast om de snijhoek in de gewenste positie te draaien.

C-1	Lager aan de voorzijde
C-2	Lager aan de achterzijde

- Zodra de gewenste hoek is bereikt, drukt u het lager naar voor om de positie van het snijdhout te vergrendelen.

### Radiale rotatie-aanpassing

Er zijn twee verticale zaagposities (afb. D). Het kan in een hoek van 90° naar links of rechts worden aangepast.

- Trek het lager aan de achterzijde terug en houd de motorafdekking vervolgens stevig vast om de zaag in de gewenste positie te draaien.
- Zodra de gewenste hoek is bereikt, drukt u het lager naar voor om de positie van het snijdhout te vergrendelen.

**WAARSCHUWING:** Om het risico op letsel te reduceren, moet u de accu verwijderen alvorens instellingen en aanpassingen uit te voeren en alleen als de zaagbladen stil staan. Raak de bladen nooit aan, terwijl u instellingen uitvoert.

**WAARSCHUWING:** De tandwielkast van gietlegering is heet. Raak het oppervlak van de tandwielkast van gietlegering niet aan als u geen PPE handschoenen draagt.

### AANSLUITEN/VERWIJDEREN VAN HET HEGGENSCHAAR TOEBEHOOR AAN DE TELESCOPISCHE MOTOR STOK (afb. E)

Dit heggenschaar toebehoor is ontworpen voor het gebruik met de EGO telescopische motor stok PPX1000.

Zie de alinea **„INSTALLEREN VAN TOEBEHOR AAN DE TELESCOPISCHE MOTOR STOK“** in de gebruiksaanwijzing van de telescopische motor stok PPX1000 voor het aansluiten van de heggenschaar op de motor stok.

Zie de alinea **„VERWIJDEREN VAN TOEBEHOR VAN DE TELESCOPISCHE MOTOR STOK“** in de gebruiksaanwijzing van de telescopische motor stok PPX1000 voor het verwijderen van de heggenschaar van de motor stok.

#### MONTEREN VAN DE NEUSBESCHERMER (optioneel)

1. Gebruik een binnenzeskantsleutel (niet inbegrepen) om de korte bout, de sluitring, het lager en de moer aan het einde van het zaagblad te verwijderen. Bewaar de sluitring, het lager en de moer voor de hernieuwde montage (afb. F).

F-1	Moer	F-3	Sluitring
F-2	Lager	F-4	Korte bout

2. Breng de neusbeschermer in één lijn met de uitstulping van het zaagblad en bevestig het in deze positie. Bevestig hem met de nieuwe lange bout en de sluitring, het lager en de moer (afb. G).

G-1	Moer	G-4	Lager
G-2	Neusbeschermer	G-5	Sluitring
G-3	Moer	G-6	Lange moer

## GEBRUIK

**⚠ GEVAAR:** Snijd nooit in de buurt van stroomkabels, elektriciteitskabels of andere elektrische bronnen. Als de zaagbladen vast zitten in een elektrische kabel, **RAAK DAN NIET HET ZAAGBLAD OF DE ALUMINIUM STOK AAN! DEZE KUNNEN ELEKTRISCH GLEIDEND WORDEN EN ZEER GEVAARLIJK ZIJN.** Blijf het heggenschaar toebehoren bij het geïsoleerd handvat vasthouden of leg het neer en uit uw buurt op een veilige manier. Ontkoppel de stroomtoevoer naar de beschadigde leiding of kabel voordat u probeert om het zaagblad van de leiding of kabel los te maken. Contact met het zaagblad, andere geleidende onderdelen van het heggenschaar toebehoren of onder stroom staande elektriciteitskabels kunnen elektrocutie met de dood of ernstig letsel tot gevolg hebben.

**⚠ WAARSCHUWING:** Vertrouwdheid kan leiden tot onvoorzichtigheid. Opgelet, één seconde van onoplettendheid kan ernstig letsel teweegbrengen.

**⚠ WAARSCHUWING:** Draag altijd oogbescherming. Het niet dragen van deze beschermingsuitrusting kan ertoe leiden dat voorwerpen in uw ogen terechtkomen of kan een ander ernstig letsel veroorzaken.

**⚠ WAARSCHUWING:** Gebruik geen opzetstukken of toebehoren die niet door de fabrikant EGO™ worden aanbevolen. Het gebruik van niet aanbevolen opzetstukken of toebehoren kan leiden tot ernstig persoonlijk letsel.

#### APPLICATIES

U mag dit product gebruiken voor het trimmen van heggen, struikgewassen, bosjes en soortgelijke met een takdiameter van minder dan Ø26 mm.

#### GEBRUIK VAN HET HEGGENSCHAAR MET DE TELESCOPISCHE MOTOR STOK

**⚠ WAARSCHUWING:** Draag gepaste kleding om het risico op letsel tijdens gebruik van dit gereedschap te beperken. Draag geen los hangende kleding of sieraden. Draag oog- en oor/gehoorbescherming. Draag een stevige lange broek, laarzen en handschoenen. Draag geen korte broek of sandalen of ga niet blootsvoets.

#### VOORBEREIDING VOOR HET SNIJDEN:

1. Pas de zaagkop aan in de gewenste werkpositie.
2. Verwijder de bladbescherming van het zaagblad.
3. Voor een veiliger en beter gebruik draagt u de schouderriem over uw schouder. Pas de schouderriem aan zodat u een comfortabele werkpositie bereikt. Volg de instructies in de alinea **„MONTEREN VAN DE SCHOUDERRIEM“** in de gebruiksaanwijzing van de PPX1000 voor het bevestigen van de schouderriem aan de motor stok.

**⚠ WAARSCHUWING:** De schouderriem heeft ook een snelontspanningsmechanisme voor gevaarlijke situaties. Als er sprake is van een noodgeval, haalt u hem direct van de schouder, ongeacht hoe de riem zit.

**⚠ WAARSCHUWING:** Gebruik altijd twee handen tijdens het gebruik van de heggenschaar met verlengde reikwijdte. Houd de heggenschaar met verlengde reikwijdte vast met beide handen om een verlies van controle te voorkomen. Volg de instructies in de alinea **„DE TELESCOPISCHE MOTOR STOK VASTHOUDEN“** in de gebruiksaanwijzing van de PPX1000.

#### WERKTECHNIEKEN

##### Horizontaal zagen (met de zaagkop in een hoek)

Zaag altijd dichtbij de grond vanuit een staande positie, bijv. voor het trimmen van lage struikgewassen.

Beweeg de zaagkop van rechts naar links terwijl u langs de heg beweegt - gebruik beide zijden van de zaagbladen en laat het zaagblad niet op de grond rusten (afb. H)

## Horizontaal snijden (met een rechte zaagkop)

Houd de zaagkop in een hoek van 0° terwijl u de heggenschaar langzaam horizontaal beweegt. Beweeg de zaagkop in een boog richting de buitenkanten van de zaag zodat het afval op de grond valt (afb. I).

**Aanbeveling:** Snij heggen die niet meer dan borsthoogte zijn in deze werkpositie.

## Verticaal snijden (met de zaagkop in een hoek)

Zagen zonder direct naast de heg te staan, als er bijv. een bloemperkje tussen de heg en de bediener is.

In deze zaagpositie dient u voor een betere controle over de heggenschaar, de heggenschaar met de zaagkop in de zijdelingse zaagpositie.

Beweeg de zaagkop op en neer in een boog als u langs de heg beweegt - gebruik beide zijden van het zaagblad (afb. J).

## Verticaal snijden (met een rechte zaagkop)

Extra lange reikwijdte zonder gebruik te maken van hulpmiddelen. Beweeg het zaagblad op en neer in een boog als u langs de heg beweegt - gebruik beide zijden van het zaagblad (afb. K).

Boven het hoofd snijden (met de zaagkop in een hoek)

Houd de heggenschaar verticaal en beweeg hem in een boog om maximaal gebruik te kunnen maken van zijn reikwijdte (afb. L1&L2). Voor extreem hoge heggen kunt u de verlengpaal gebruiken al hulp bij het snijden.

**WAARSCHUWING:** Iedere werkpositie boven het hoofd is vermoeiend. Om het risico op ongelukken te minimaliseren, dient u slechts kortstondig in dergelijke posities te werken. Stel de hoek van de instelbare zaagkop in op een maximum zodat het gereedschap in een lagere, minder vermoeiende positie kan worden vastgehouden (met schouderriem) terwijl u wel over de nodige reikwijdte beschikt.

## HET GEREEDSCHAP STARTEN/STOPPEN

Zie alinea 'STARTEN/STOPPEN VAN DE TELESCOPISCHE MOTOR STOK' in de gebruiksaanwijzing van de motor stok PPX1000.

## ONDERHOUD

**WAARSCHUWING:** Bij reparatie, gebruik uitsluitend identieke reserve-onderdelen. Controleer en onderhoud het gereedschap regelmatig. Laat alle reparaties uitvoeren door een vakbekwame reparateur om een continue veiligheid en betrouwbaarheid te waarborgen.

**WAARSCHUWING:** Voor het inspecteren, reinigen of onderhouden van het apparaat dient u de motor te stoppen, te wachten totdat alle bewegende onderdelen tot stilstand zijn gekomen en het accupack te verwijderen. Het negeren van deze instructies kan ernstig persoonlijk letsel of materiële schade tot gevolg hebben.

**OPMERKING:** Voor elk gebruik dient u het complete product op beschadigingen, missende of los zittende onderdelen zoals schroeven, moeren, bouten, doppen etc. te controleren. Draai alle bevestigingen en doppen goed vast en gebruik dit product niet totdat alle missende of beschadigde onderdelen zijn vervangen. Neem alstublieft contact op met de klantenservice of een gekwalificeerde onderhoudsmonteur.

## ALGEMEEN ONDERHOUD

Maak de kunststof onderdelen niet schoon met oplosmiddelen. De meeste kunststoffen kunnen worden beschadigd wanneer ze in contact komen met commerciële oplosmiddelen. Gebruik een schone doek voor het verwijderen van vuil, stof, olie, smeer, etc.

## HEGGENSCHAAR TOEBEHOOR REINIGEN

1. Stop de motor en verwijder het accupack.
2. Verwijder met behulp van een vochtig doekje en een mild reinigingsmiddel vuil en verontreinigingen van het heggenschaar toebehoor.

**OPMERKING:** Maak de kunststof behuizing of handgreep niet schoon met een agressief schoonmaakmiddel. Deze kunnen door bepaalde aromatische oliën, zoals pijnboom en citroen worden beschadigd.

## HET HEGGENSCHAAR TOEBEHOOR OPBERGEN

1. Stop de motor en verwijder het accupack van de telescopische stok motor.
2. Verwijderen van het heggenschaar toebehoor van de telescopische motor stok.
3. Reinig al het externe materiaal van het toebehoor van de heggentrimmer.
4. Berg binnenshuis op in een ruimte die voor kinderen ontoegankelijk is.
5. Houd uit de buurt van corrosieve middelen, zoals tuinchemicaliën en strooizout.

## DE ZAAG VERVERGEN

**WAARSCHUWING:** Draag altijd handschoenen bij het hanteren met het zaagblad; deze onderdelen zijn zeer scherp en kunnen bramen bevatten.

1. Schakel het gereedschap uit en verwijder het accupack.

2. Pas het zaagblad aan de horizontale positie aan. Zorg ervoor dat het gemonteerde zaagblad in een lijn is met de schacht van de heggenschaar voor een eenvoudige montage (afb. M).

M-1	Schroef 1# (korte schroeven)	M-6	Lager
M-2	Onderste afdekking	M-7	Schroef 2# (lange schroeven)
M-3	Ondersteunende plaat 3#	M-8	Ondersteunende plaat 2#
M-4	Koppelingshendel	M-9	Gemonteerde zaagblad
M-5	Ondersteunende plaat 1#	M-10	Excentrisch blok

3. Gebruik een binnenzeskantsleutel (niet inbegrepen) om de 6 schroeven 1# (korte schroeven) los te draaien aan de onderste afdekking en deze te verwijderen.
4. Ga door met het losmaken van de 2 schroeven 2# (lange schroeven) om de ondersteunende plaat 1# & 2# te verwijderen, evenals de 2 lagers. De 2 lagers zijn apart geplaatst binnen de twee afgeronde hoekige sleuven in de zaagbladmontage.
5. Verwijder de ondersteunende plaat 3#.
6. Verwijder voorzichtig de koppelingshendel van het zaagblad.
7. Verwijder de zaagbladmontage van het gereedschap en zorg ervoor dat de excentrische blok montagepositie onveranderd blijft.
8. Breng de inwendige uitstulping op de nieuwe zaagbladmontage in een lijn met het gat aan de binnenkant van de koppelingshendel om de nieuwe zaagbladmontage op zijn plek te plaatsen.
9. Plaats de twee lagers apart in de twee afgeronde hoeken.
10. Bevestig de ondersteunende plaat 1# en vervolgens de ondersteunende plaat 2#.
11. Houd de binnenliggende gaten in het zaagblad, de lagers en de gaten in de ondersteunende platen in lijn met de schroefgaten in de tandwielkast. Plaats de 2 lange schroeven in de uitgelijnde gaten en draai ze goed vast.
12. Beweeg het bovenste zaagblad een beetje naar voren en achteren om te controleren of het zaagblad vrij kan bewegen. Als dat niet het geval is, moeten de zaagbladen opnieuw worden geplaatst totdat het bovenste zaagblad vrij kan bewegen.
13. Plaatsen van de koppelingshendel.
14. Breng het gat van de ondersteunende plaat 3# in een lijn met de uitstulping van het excentrische blok om de ondersteunende plaat op zijn plek plaatsen, waarbij u ervoor zorgt dat de plaat exact in het midden, parallel aan beide kanten, is geplaatst.

15. Bevestig de onderste afdekking op de tandwielkast en zet hem vast met 6 korte schroeven.

### HET ZAAGBLAD SMEREN (afb. N)

Voor de beste werking en een langere levensduur van het zaagblad, smeert u het zaagblad van de heggenschaar met anti-roest olie na gebruik. VUL HET OLIEGAT NIET HELEMAAL MET OLIE.

1. Verwijder de schroef van het oliegat en de tandwielkast met behulp van een binnenzeskantsleutel (niet inbegrepen).

N-1	Schroef van het oliegat
-----	-------------------------

2. Spuit 5 g vet door het smeergat in de tandwielkast.
3. Draai de schroef vast zodra u klaar bent.

### DE TANDWIELAANDRIJVING SMEREN

Voor de beste werking en een langere levensduur smeert u het heggenschaar toebehoor tandwiel aandrijving met een speciaal vet na elke 100 bedrijfsuren.

Het vet moet voldoen aan de volgende eisen:

- NLGI grade penetratie: NLGI-2;
- Verdikkingsmiddeltype: Polyureum;
- Aanbevolen bedrijfstemperatuur bereik: -40°C tot 180°C;
- Anders dan hierboven beschreven, moet het vet ook afschuifstabiel zijn met buitengewone drukkenarakteristieken en uitstekende anti-slijtage eigenschappen, en perfecte oxidatiestabiliteit.

Volg de onderstaande stappen om het gereedschap te vullen met vet:

1. Schakel het gereedschap uit en verwijder het accupack.
2. Gebruik een binnenzeskantsleutel (niet inbegrepen) om de 3 korte schroeven (0-1) los te maken en te verwijderen van de motorafdekking (0-2) en vervolgens de motorafdekking te verwijderen (afb. O).

0-1	Korte schroef	0-5	Sluitring
0-2	Motorafdekking	0-6	Tandwielkast
0-3	Korte schroef	0-7	Planeetwielen
0-4	Motor		

3. Maak de 3 korte schroeven (0-3) los van de motor en koppel de motor en de sluitring los.
4. Gebruik een vetspuit (niet inbegrepen) om 5 g vet in het midden van de 3 bovenste planeetwielen (0-7) van de tandwielkast te spuiten.

**OPMERKING:** Zorg dat de positie van de andere onderdelen in de buurt van de tandwielkast onveranderd blijven tijdens het injecteren.

5. Monteer de sluitring en de motor weer door de 3 korte schroeven (0-3) vast te maken.
6. Monteer de motorafdekking weer door de 3 korte schroeven (0-1) vast te maken.
7. Start het gereedschap om te controleren of het naar behoren werkt. Als dat niet het geval is, moet u alles opnieuw monteren aan de hand van de bovengenoemde stappen.

NL

**OPMERKING:** Na het verwijderen van de motorafdekking, moet u zaagsel verwijderen rondom de motor.

## Het milieu beschermen



Gooi geen elektrische apparaten, acculaders en accu's/oplaadbare batterijen met het huisafval weg!





## PROBLEEMOPLOSSING

PROBLEEM	OORZAAK	OPLOSSING
De heggenschaar werkt niet.	<ul style="list-style-type: none"> <li>■ Er is geen elektrisch contact tussen de grastrimmer en accu.</li> <li>■ Het accupack is uitgeput.</li> <li>■ De overtemperatuurbescherming van het accupack of het gereedschap is ingeschakeld</li> <li>■ Het blad zit klem.</li> </ul>	<ul style="list-style-type: none"> <li>■ Verwijder de accu, controleer de contacten en bevestig het accupack weer.</li> <li>■ Laad het accupack op.</li> <li>■ Laat het accupack of de motor stok afkoelen totdat de temperatuur lager dan 67°C is.</li> <li>■ Haal het accupack uit het gereedschap. Verwijder voorzichtig de blokkering en plaats de accu weer terug om het gereedschap weer te starten.</li> </ul>
Overmatige trilling of geluid.	<ul style="list-style-type: none"> <li>■ Droge of verroeste zaagbladen.</li> <li>■ Zaagbladen of zaagbladhouder is gebogen.</li> <li>■ Gebogen of beschadigde tanden.</li> <li>■ Losse zaagbladbouten.</li> </ul>	<ul style="list-style-type: none"> <li>■ De zaagbladen smeren.</li> <li>■ Plaats terug met een nieuw zaagblad of ondersteuning volgens de alinea 'HET ZAAGBLAD VERVANGEN' in deze handleiding of neem contact op met het EGO servicecentrum voor vervanging.</li> <li>■ Plaats terug met een nieuw zaagblad volgens de alinea 'HET ZAAGBLAD VERVANGEN' in deze handleiding of neem contact op met het EGO servicecentrum voor vervanging.</li> <li>■ Draai de zaagbladbouten vast. Gebruik een binnenzeskantsleutel (niet inbegrepen), draai de bout met de klok mee om hem vast te maken.</li> </ul>

NL

## GARANTIE

### EGO GARANTIEBELEID

Bezoek alstublieft de website [egopowerplus.com](http://egopowerplus.com) voor de volledige voorwaarden van het EGO garantiebeleid.

## LÆS ALLE ANVISNINGER!



### LÆS BRUGERVEJLEDNINGEN

**⚠ Resterende risiko!** Folk med elektroniske anordninger, såsom pacemakere, bør spørge deres læge(r) til råds, før de bruger dette produkt. Betjening af elektrisk udstyr i umiddelbar nærhed af et hjerte pacemaker kan forårsage forstyrrelser eller svigt af pacemakeren.

**⚠ ADVARSEL:** For at sikre sikkerhed og pålidelighed bør alle reparationer og udskiftninger udføres af en kvalificeret servicetekniker.

DK

## SIKKERHEDSSYMBOL

Formålet med sikkerheds- symboler er at tiltrække din opmærksomhed på mulige farer. Du bør være meget opmærksom på sikkerhedssymbolerne og forklaringerne til dem og lære at forstå dem. Symbolernes advarsler fjerner ikke i sig selv eventuelle farer. De anvisninger og advarsler, de giver ingen erstatninger for ordentlig forebyggelse af ulykker foranstaltninger.

**⚠ ADVARSEL:** Sørg for at læse og forstå alle sikkerhedsanvisninger i denne brugsanvisning, inklusive alle sikkerhedssymboler, såsom “FARE”, “ADVARSEL” og “FORSIGTIG”, før du bruger dette værktøj. Hvis anvisningerne nedenfor ikke følges, kan det føre til elektrisk stød, brand og/eller alvorlig personskade.

## SYMBOL BETYDNING

**⚠ ADVARSELSSYMBOL:** Indikerer FARE, ADVARSEL ELLER FORSIGTIG, kan bruges sammen med andre symboler eller billeder.



**⚠ ADVARSEL:** Når elværktøjer bruges, er der altid en risiko for at genstande slynges ind i øjnene, som kan føre til alvorlige øjenskader. Inden du begynder elværktøj drift, altid bære beskyttelsesbriller eller sikkerhedsbriller med side skjolde og en fuld ansigtsmaske når det er nødvendigt. Vi anbefaler en Wide Vision Safety Maske til brug over briller eller standard sikkerhedsbriller med sideskærme. r standard safety glasses with side shields.

## SIKKERHEDSANVISNINGER

Denne side viser og beskriver sikkerheds- symboler, der kan vises på dette produkt. Læs, forstå, og følg alle anvisninger på maskinen, før du forsøger at samle og betjene den.

	Sikkerhedsadvarsel	Angiver en potentiel fare for personskade.
	Læs brugsvejledningen	For at mindske risikoen for skader skal brugeren læse brugsanvisningen.
	Hold tilstrækkelig afstand til elektriske ledninger	For at undgå elektrisk stød må du ikke bruge det inden for en afstand af 15 m fra elektriske luftledninger. Kontakt med eller anvendelse i nærheden af elledninger kan forårsage alvorlig personskade eller elektrisk stød, hvilket kan føre til dødsfald.
	Støj	Garanteret lydniveau. Støjemission til miljøet opfylder EF-direktivet.
	CE	Dette produkt er i overensstemmelse med gældende EU-direktiver.
	WEEE	Elektriske affaldsprodukter må ikke bortskaffes sammen med husholdningsaffald. Tag det til en godkendt genbrugsplads.
	Hold hænder og fødder væk fra klippeværktøjet	Forsøg aldrig at betjene dit elværktøj med én hånd. Hvis du mister kontrollen over elværktøjet, kan det forårsage alvorlig personskade eller dødsfald. For at reducere risikoen for at skære sig holdes hænder og fødder væk fra klippeværktøjet. Sæt aldrig et arbejdende klippeværktøj på med hånden eller nogen anden del af kroppen.

	Brug øjen- og hovedbeskyttelse	Bær altid øjen- og hovedbeskyttelse, når dette produkt bruges.
IPX5	IP-symbol	Beskyttelse mod indtrængen af vand grad 5
V	Volt	Spænding
mm	Millimeter	Længde eller størrelse
cm	Centimeter	Længde eller størrelse
kg	Kg	Vægt
	Jævnstrøm (DC)	Spændingstype eller egenskab

### ⚠️ SIKKERHEDSADVARSLER for HÆKKEKLIPPER

- **Hold alle dele af kroppen væk fra skåret. Fjern ikke afklippet materiale, når skærene bevæger sig; klip heller ikke i materiale, der holdes i hånden.** Sørg for, at kontakten er slukket, når fastsiddende materiale skal fjernes. Et øjebliklig uopmærksomhed ved brug af hækkeklipperen kan medføre alvorlig personskade.
- **Bær hækkeklipperen i håndtaget med skåret stoppet.** Ved transport eller opbevaring af hækkeklipperen sættes beskyttelseshylsteret altid på. Korrekt håndtering af hækkeklipperen vil mindske mulig personskade fra skærene.
- **Ved transport eller opbevaring af hækkeklipperen sættes beskyttelseshylsteret altid på knivene.** Hvis hækkeklipperen håndteres korrekt, vil det nedsætte risikoen for personskader fra knivene.
- **Når du fjerner fastsiddende materiale eller udfører service på enheden, skal du sørge for, at alle kontakter er slukket, og at batteriet er fjernet eller frakoblet.** Uventet igangsætning af hækkeklipperen, mens fastklemt materiale fjernes eller under vedligeholdelse, kan resultere i alvorlig personskade.
- **Når du fjerner fastsiddende materiale eller udfører service på enheden, skal du sørge for, at alle kontakter er slukket, og at låsekappen er låst.** Uventet igangsætning af hækkeklipperen, mens fastklemt materiale fjernes eller under vedligeholdelse, kan resultere i alvorlig personskade.
- **Hold kun hækkeklipperen på de isolerede gribeblader, da klingerne kan komme i kontakt med skjulte ledninger.** Klinger, der kommer i kontakt med en strømførende ledning, kan gøre metaldele på hækkeklipperen strømførende og give brugeren elektrisk stød.
- **Hold alle elektriske ledninger og kabler væk fra klippeområdet.** Under klipningen kan elledninger eller kabler ligge skjult i hække eller buskads og kan

utilslaget blive ramt af knivene.

- **Brug ikke hækkeklipperen i dårligt vejr, især når der er risiko for tordenvejr.** Det mindsker risikoen for at blive ramt af lyn.

### ⚠️ YDERLIGERE SIKKERHEDSANVISNINGER TIL DENNE UDVIDET HÆKKEKLIPPER

- **For at reducere risikoen for elektrisk stød, må denne udvidet hækkeklipper aldrig bruges i nærheden af elektriske ledninger.** Kontakt med eller anvendelse i nærheden af elledninger kan forårsage alvorlig personskade eller elektrisk stød, hvilket kan føre til dødsfald.
- **Denne udvidet hækkeklipper skal altid holdes med begge hænder.** Hold denne udvidet hækkeklipper med begge hænder, så du ikke mister kontrol med den.
- **Brug altid hovedbeskyttelse, når du bruger denne udvidet hækkeklipper.** Faldende genstande kan føre til seriøse personskader.
- **Undersøg hækken for fremmedlegemer før betjening, som f.eks. trådhegn og skjulte ledninger.**
- **Elværktøjet må kun holdes på de isolerede håndtag.**
- Hækkeklipperen er beregnet til brug på jorden, og ikke på stiger eller andre ustabile stativer.
- Produktet må kun bruges med batteripakkerne og opladerne, der står på listen i fig. A2

DK

### GEM DISSE VEJLEDNINGER

YDERLIGERE SPECIFIKKE SIKKERHEDSREGLER KAN FINDES I BRUGSANVISNINGEN TIL DET PÅGÆLDENDE TILBEHØR.

### SPECIFIKATIONER

Knivlængde		510 mm
Klippekapacitet		26 mm
Anbefalet driftstemperatur		0°C-40°C
Anbefalet opbevaringstemperatur		-20°C-70°C
Vægt		2,67 kg
Målt lydeffektniveau $L_{WA}$		93,75 dB(A) K=1,7 dB(A)
Lydtryk ved brugerens øre $L_{PA}$		83 dB(A) K=3 dB(A)
Garanteret lydeffektniveau $L_{WA}$ (målt i henhold til 2000/14 / EF)		95 dB(A)
Vibrationsværdi $a_h$	Forreste håndtag	1,3 m/s <sup>2</sup> K=1,5 m/s <sup>2</sup>
	Baghåndtag	1,5 m/s <sup>2</sup> K=1,5 m/s <sup>2</sup>

- Ovenstående parametre er blevet testet og målt under anvendelse af motorstangen PPX1000;
- Den deklarerede vibrationer samlede værdi er målt i overensstemmelse med en standard testmetode og kan anvendes til at sammenligne et værktøj med et andet;
- Den samlede angivne værdi for vibrationer kan også anvendes ved en foreløbig vurdering af eksponeringen.

**BEMÆRK:** vibrationer emission ved faktisk brug af elværktøjet kan afvige fra den angivne værdi, hvor værktøjet anvendes; For at beskytte operatøren, bør brugeren bære handsker og høreværn i de faktiske brugsforhold.

DK

## BESKRIVELSE

### LÆR TILBEHØRET TIL HÆKKEKLIPNING AT KENDE (fig. A1)

1. Bøsning bagpå
2. Bøsning foran
3. Motorkabinet
4. Skede til kniv
5. Kniv

## PAKKELISTE (A2)

## SAMLING

**⚠ ADVARSEL:** Hvis der er dele, der er beskadigede eller mangler, anvendes apparatet ikke, før delene er udskiftet. Brug af dette produkt med beskadigede eller manglende dele kan medføre alvorlig personskade.

**⚠ ADVARSEL:** Fjern altid batteriet fra produktet, når du monterer dele, foretager justeringer, ved rengøring, eller når det ikke bruges.

### JUSTERING AF VINKLEN PÅ KLIPPEHOVEDET

Når tilbehøret til hækkeklipping tages ud af emballagen, er det foldet sammen i sin opbevaringsposition (fig. B). Klippehovedet ledvinkel og drejning kan justeres. Juster klippehovedet til en passende driftsstilling inden brug.

### Justering af ledvinklen

Der er seks mulige arbejdsstillinger. Knivens klippevinkel kan justeres fra -68° til 42° (fig. C).

1. Træk den forreste bøsning tilbage, og hold derefter motordækslet fast for at dreje klippevinklen til den ønskede position.

C-1	Bøsning foran
C-2	Bøsning bagpå

2. Når den ønskede vinkel er nået, skal du trykke bøsningen fremad, for at låse klippehovedet fast.

### Justering af drejningen

Der er to lodrette klippepositioner (fig. D). Den kan justeres 90° til venstre eller højre.

1. Træk den bageste bøsning tilbage, og hold derefter motordækslet fast for at dreje kniven til den ønskede position.
2. Når den ønskede vinkel er nået, skal du trykke bøsningen fremad, for at låse klippehovedet fast.

**⚠ ADVARSEL:** For at mindske risikoen for personskader, skal du fjerne batteriet, inden du foretager nogen justeringer. Foretag kun justeringer, når knivene står stille. Berør aldrig skærene, når der foretages justeringer.

**⚠ ADVARSEL:** Gearkassen er varm. Rør aldrig ved gearkassens overflade uden beskyttelseshandsker.

### SÅDAN MONTERES/AFMONTERES TILBEHØRET TIL HÆKKEKLIPNING PÅ MOTORSTANGEN (fig. E)

Dette tilbehør til hækkeklipping er beregnet til brug med en EGO-motorstangen PPX1000.

Du kan se, hvordan hækkeklipperen sættes på motorstangen i afsnittet **“MONTERING AF TILBEHØR PÅ MOTORSTANGEN»** i brugsanvisningen til motorstangen PPX1000.

Du kan se, hvordan hækkeklipperen tages af motorstangen i afsnittet **“AFMONTERING AF TILBEHØR PÅ MOTORSTANGEN»** i brugsanvisningen til motorstangen PPX1000.

### MONTERING AF BESKYTTER AF SPIDS (ekstraudstyr)

1. Brug en unbrakonøgle (medfølger ikke) til at fjerne den korte bolt, spændeskiven, bøsningen og møtrikken på enden af kniven. Gem spændeskiven, bøsningen og møtrikken til senere samling (fig. F).

F-1	Møtrik	F-3	Spændeskive
F-2	Bøsning	F-4	Kort bolt

2. Flugt beskytteren til spidsen med bulen på sværdet, og monter den. Fastgør den med den nye lange bolt og møtrikken samt den gemte spændeskive, bøsning og møtrik (fig. G).

G-1	Møtrik	G-4	Bøsning
G-2	Beskytter til spidsen	G-5	Spændeskive
G-3	Møtrik	G-6	Lang bolt

## BETJENING

**⚠ FARE:** Arbejd aldrig i nærheden af kabler, elektriske ledninger eller andre elektriske kilder. Hvis skærene vikles ind i en elektrisk ledning eller stærkstrømsledning, må du **IKKE RØRE SVÆRDET ELLER ALUMINIUMSSTANGEN! DE KAN BLIVE STRØMFØRENDE OG VÆRE MEGET FARLIGE.** Fortsæt med at holde på det isolerede håndtag på tilbehøret til hækkeklipping, eller læg det ned og væk fra dig på en sikker måde. Afbryd strømmen til det/den kabel/ledning, der er beskadige, inden du forsøger at frigøre kniven fra kabel eller ledning. Berøring af kniven eller andre ledende dele på tilbehøret til hækkeklipping, strømførende elektriske ledninger eller kabler kan medføre dødsfald på grund af elektrisk stød, eller andre alvorlige personskader.

**⚠ ADVARSEL:** Lad ikke fortrolighed med dette produkt gøre dig skodesløs. Husk på, at det kan føre til alvorlige skader, hvis du ikke er opmærksom i blot et sekund.

**⚠ ADVARSEL:** Brug altid beskyttelsesbriller. Hvis disse ikke bruges, kan du få genstande slynget i øjnene, og der kan også opstå andre alvorlige skader.

**⚠ ADVARSEL:** Brug ikke tilbehør eller påmonteringer, der ikke anbefales af fabrikanten af EGO™. Brug af tilbehør eller påmonteringer, der ikke anbefales, kan forårsage alvorlig personskade.

## ANVENDELSER

Du kan bruge dette produkt til at klippe hække, buskads, krat, buske og lignende med en grendiameter på under 26 mm i diameter.

## BRUG AF HÆKKEKLIPPEREN MED MOTORSTANGEN

**⚠ ADVARSEL:** Brug rigtig påklædning for at mindske risikoen for skader, når du betjener dette værktøj. Undgå, at bære løstsiddende tøj eller smykker. Bær øjen- og øre- / høreværn. Brug kraftige, lange bukser, støvler og handsker. Gå ikke i korte bukser, sandaler eller på bare fødder.

## FORBEREDELSE TIL KLIPPEARBEJDET:

1. Justering klippehovedet til den ønskede driftstilling.
2. Tag sværdsmeden af sværdet.

3. Betjeningen gøres sikker og behagelig ved at benytte skulderremmen. Justér skulderremmen, så den giver en behagelig arbejdsstilling. Du kan se, hvordan skulderremmen sættes på motorstangen i afsnittet **“MONTERING AF SKULDERREM”** i brugsanvisningen til PPX1000.

**⚠ ADVARSEL:** Skulderremmen er også en mekanisme til hurtig frigørelse i farlige situationer. Når der opstår en fare, så tag den straks af skulderen, uanset hvordan remmen er sat på.

**⚠ ADVARSEL:** Denne udvidet hækkeklipper skal altid holdes med begge hænder. Hold denne udvidet hækkeklipper med begge hænder, så du ikke mister kontrol med den. Følg instruktionerne i afsnittet **“SÅDAN HOLDES MOTORSTANGEN”** i brugsanvisningen til PPX1000.

## ARBEJDSTEKNIKKER

### Vandret klipping (med klippehovedet på skrå)

Klip tæt på jorden fra en stående position, f.eks. ved trimning af lave buske.

Sving klippehovedet fra side til side, mens du bevæger dig langs hækken. Brug begge sider af skærene og lad ikke klippehovedet hvile på jorden (fig. H).

### Vandret klipping (med lige klippehovedet)

Hold klippehovedet på skrå på 0°, mens du langsomt svinger hækkeklipperen vandret. Sving klippehovedet i en bue mod ydersiderne af hækken, så det afklippede materiale fejes ned på jorden (fig. I).

**Anbefaling:** I denne arbejdsstilling må du kun klippe hække, der højest når brysthøjde.

### Lodret klipping (med klippehovedet på skråt):

Klip uden at stå lige ved siden af hækken, f.eks. ved blomsterbed mellem bruger og hæk.

I denne arbejdsstilling anbefales det at sætte klippehovedet på hækkeklipperen til klipping af sider, så du har bedre kontrol over hækkeklipperen.

Sving klippehovedet op og ned i en bue, mens du bevæger dig langs hækken – brug begge sider af sværdet (fig. J).

### Lodret klipping (med lige klippehoved)

Ekstra lang rækkevidde uden brug af andre hjælpemidler. Sving klippehovedet op og ned i en bue, mens du bevæger dig langs hækken – brug begge sider af sværdet (fig. K).

DK

## Klipning over hovedhøjde (med klippehovedet på skrå)

Hold hækkeklipperen lodret, og sving den i en bue for at gøre optimal brug af dens rækkevidde (fig. L1 & L2). Ved ekstremt høje hække er forlængerstangen velegnet til støtte ved klipning.

**⚠ ADVARSEL:** Alt arbejde over hovedhøjde er anstrengende. For at minimere risikoen for uheld, bør der kun arbejdes i sådanne stillinger i korte perioder. Indstil vinklen på det justerbare klippehoved til maksimum, så værktøjet kan holdes i en lavere, mindre anstrengende stilling (med skulderrem) og stadig give tilstrækkelig rækkevidde.

DK

## START/STOP AF VÆRKTØJET

Se afsnittet "SÅDAN STARTES/STOPPES MOTORSTANGEN" i brugsanvisningen til motorstangen PPX1000.

## VEDLIGEHOLDELSE

**⚠ ADVARSEL:** Ved service må der kun bruges originale reservedele. Efterse og vedligehold apparatet regelmæssigt. For at sikre sikkerhed og pålidelighed, bør alle reparationer udføres af en kvalificeret servicetekniker.

**⚠ ADVARSEL:** Før eftersyn, rengøring eller service på enheden standses motoren. Vent til alle bevægelige dele er standset, og fjern batteripakken. Efterkommes disse anvisninger ikke, kan det medføre alvorlig personskade eller materielle skader.

**⚠ BEMÆRK:** Før hver brug skal du undersøge hele produktet for skader, manglende eller løse dele, såsom skruer, møtrikker, bolte, hætter etc. Tilspænd omhyggeligt alle befæstelsesdele og hætter, og betjen ikke dette produkt, før alle manglende eller beskadigede dele er udskiftet. Kontakt venligst kundeservice eller en kvalificeret servicetekniker.

## GENEREL VEDLIGEHOLDELSE

Undgå, at bruge opløsningsmidler til rengøring af plastdele. De fleste plastmaterialer risikerer at blive ødelagt, ved brug af forskellige slags alment tilgængelige opløsningsmidler. Brug rene klude til at fjerne snavs, støv, olie, fedt osv.

## SÅDAN RENGØRES TILBEHØRET TIL HÆKKEKLIPNING

1. Stop motoren, og fjern batteripakken.
2. Fjern snavs og skidt fra tilbehøret til hækkeklipning med en fugtig klud med et mildt rengøringsmiddel.

**BEMÆRK:** Brug ikke stærke rengøringsmidler på plastkabinettet eller -håndtaget. De kan blive beskadiget af visse aromatiske olier, såsom af fyrretræ og citron.

## SÅDAN OPBEVARES TILBEHØRET TIL HÆKKEKLIPNING

1. Stop motoren, og tag batteripakken ud, når du ikke bruger motorstangen.
2. Tag tilbehøret til hækkeklipning af motorstangen.
3. Fjern alle fremmedlegemer på tilbehøret til hækkeklipning.
4. Opbevar den et sted, der er utilgængeligt for børn.
5. Holdes væk fra ætsende stoffer, såsom havekemikalier og vejsalt.

## UDSKIFTNING AF KNIVEN

**⚠ ADVARSEL:** Brug altid handsker når du håndterer kniven. Disse dele er meget skarpe og kan have grater.

1. Sluk værktøjet og fjern batteripakken.
2. Juster kniven til vandret position, og sørg for, at knivsamlingen er på linje med hækkeklipperens aksel for nem montering (fig. M).

M-1	Skruer 1# (korte skruer)	M-6	Bøsning
M-2	Bunddækse	M-7	Skruer 2# (lange skruer)
M-3	Støtteplade 3#	M-8	Støtteplade 2#
M-4	Forbindelseshåndtag	M-9	Knivsamling
M-5	Støtteplade 1#	M-10	Excentrisk blok

3. Brug en unbrakonøgle (medfølger ikke) til at løsne de 6 skruer 1# (korte skruer) i bunddækslet og fjern dem.
4. Fortsæt med at løsne de 2 skruer 2# (lange skruer) for at fjerne støtteplade 1# & 2# samt de 2 bøsninger. De 2 bøsninger er placeret separat i de to afrundede rektangelåbninger i knivsamlingen.
5. Fjern støtteplade 3#.
6. Tag forbindelseshåndtaget af kniven.
7. Tag knivsamlingen af værktøjet, og sørg for, at den excentriske bloksamling ikke flyttes.
8. Ret den indvendige udbulning på den nye knivsamling mod hullet i forbindelseshåndtaget for at sætte den nye knivsamling på.
9. Sæt en bøsning i hver afrundede rektangel.
10. Monter støtteplade 1#, og monter derefter støtteplade 2#.

- Hold de indvendige huller i klingen, bøsningerne og hullerne i støttepladerne på linje med skruehullerne i gearkassen. Sæt de 2 lange skruer i de justerede huller, og spænd dem sikkert.
- Flyt det øverste kniv lidt frem og tilbage for at se, om kniven kan bevæge sig frit. Hvis ikke, skal du samle knivene igen, indtil den øverste kniv kan bevæge sig frit.
- Sæt forbindelseshåndtaget på.
- Ret hullet på støttepladen 3# mod udbulningen på den excentriske blok, for at sætte støttepladen på. Sørg for, at pladen sidder lige i midten, parallelt med begge kanter.
- Sæt bunddækslet på gearkassen, og spænd det fast med 6 korte skruer.

### SMØRING AF KNIVEN (Fig. N)

Arbejdet er lettere, og kniven holder længere, hvis man smører hækkeklipperens kniv olie mod rust efter hver brug. FYLD IKKE OLIEHULLET HELT OP MED OLIE.

- Fjern skruen i oliehullet på gearkassen med en unbrakonøgle (medfølger ikke).

N-1	Skrue i oliehullet
-----	--------------------

- Sprøjt 5 g fedt i smørehullet til gearkassen.
- Stram skruen, når du er færdig.

### SMØRING AF GEARENE

For optimal drift og længere levetid, skal du smøre gearene i tilbehøret til hækkeklipping med en særlig slags fedt efter hver 100 timers brug.

Fedt, skal opfylde følgende krav:

- NLGI-klasse gennemtrængning: NLGI-2;
- Fortykkingsmiddel: Polyurinstof;
- Anbefalet driftstemperatur: -40 °C til 180 °C;
- Udover ovenstående, skal fedtet også være slidstabil med gode egenskaber mod tryk og slidtage og god oxidationsstabilitet.

Følg nedenstående trin for at fylde fedtet i:

- Sluk værktøjet og fjern batteripakken.
- Brug en unbrakonøgle (medfølger ikke) til at løsne og fjerne de 3 korte skruer (O-1) på motordækslet (O-2), og tag derefter motordækslet af (fig. 0).

O-1	Kort skrue	O-5	Spændeskive
O-2	Motordæksel	O-6	Gearkasse
O-3	Kort skrue	O-7	Planet-gear
O-4	Motor		

- Løsn de 3 korte skruer (O-3) på motoren, og tag derefter motoren og skiven af.
- Brug en fedtpistol (medfølger ikke) til at sprøjte 5 g fedt i midten af de 3 øverste planet-gear (O-7) i gearkassen.

**BEMÆRK:** Sørg for, at placeringen af andre dele nær gearkassen ikke ændres under indsprøjtningen.

- Saml skiven og motoren igen ved at stramme de 3 korte skruer (O-3).
- Sæt motordækslet på igen, ved at stramme de 3 korte skruer (O-1).
- Start værktøjet og se, om det kan køre normalt. I modsat fald, skal du samle produktet igen som beskrevet ovenfor.

**BEMÆRK:** Når motordækslet er blevet fjernet, skal du rengøre motoren for savsmuld.

### Beskyttelse af miljøet



Smid ikke elektrisk udstyr, batterioplader og batterier/genopladelige batterier i skraldespanden!

## FEJLFINDING

DK

PROBLEM	ÅRSAG	LØSNING
Hækkeklipperen virker ikke.	<ul style="list-style-type: none"> <li>■ Ingen elektrisk kontakt mellem trimmer og batteri.</li> <li>■ Batteriet er afladet.</li> <li>■ Batteripakkens eller værktøjets beskyttelsesfunktion mod overophedning er udløst.</li> <li>■ Kniven sidder fast.</li> </ul>	<ul style="list-style-type: none"> <li>■ Fjern batteriet, kontrollér kontakter og sæt batteriet på igen.</li> <li>■ Oplad batteripakken.</li> <li>■ Lad batteripakken eller motorstangen køle ned, indtil temperaturen kommer under 67 °C.</li> <li>■ Fjern batteripakken fra værktøjet. Fjern forsigtigt fremmedlegemet, og sæt batteriet og genstart værktøjet.</li> </ul>
Kraftig vibration eller støj.	<ul style="list-style-type: none"> <li>■ Tørre eller rustne skær.</li> <li>■ Tænderne eller sværdet er bøjet.</li> <li>■ Bøjede eller beskadigede tænder.</li> <li>■ Løse bolte på sværdet.</li> </ul>	<ul style="list-style-type: none"> <li>■ <b>SMØR SKÆRENE</b></li> <li>■ Udskift med en ny klinge eller støtte, ved at følge vejledningerne i afsnittet "UDSKIFTNING AF KLINGEN" i denne vejledning, eller kontakt EGO's servicecenter for udskiftning.</li> <li>■ Udskift den med en ny klinge, ved at følge vejledningerne i afsnittet "UDSKIFTNING AF KLINGEN" i denne vejledning, eller kontakt EGO's servicecenter for udskiftning.</li> <li>■ Spænd boltene på sværdet. Spænd boltene, ved at dreje den med uret med en 3 mm unbrakonøgle (medfølger ikke).</li> </ul>

## GARANTI

### EGO GARANTI POLITIK

Besøg venligst hjemmesiden [egopowerplus.com](http://egopowerplus.com) for fuldstændige vilkår og betingelser for EGO's garantipolitik.



## LÄS IGENOM ALLA INSTRUKTIONER!



### LÄS IGENOM BRUKSANVISNINGEN

**⚠ Dolda risker!** Personer med elektroniska enheter såsom pacemaker skall rådfråga sin läkare innan denna produkt används. Användning av elektronisk utrustning i närheten av en pacemaker kan orsaka störningar eller fel på pacemakern.

**⚠ WARNING:** För att garantera säkerheten och påfittigheten skall alla reparationer och utbyten utföras av en kvalificerad servicetekniker.

## SÄKERHETSSYMBOL

Syftet med säkerhetssymboler är att uppmärksamma eventuella faror. Säkerhetssymbolerna och förklaringarna av dessa kräver din fullständiga uppmärksamhet och förståelse. Symbolvarningarna i sig eliminerar inte några faror. Instruktionerna och varningarna som ges är inte något substitut för korrekta åtgärder för förhindrande av olyckor.

**⚠ WARNING:** Var noga med att läsa och förstå alla säkerhetsinstruktioner i denna bruksanvisning, inklusive alla varningssymboler som t.ex. "FARA!", "WARNING!" och "FÖRSIKTIGHET!" innan du använder detta verktyg. Underlåtenhet att läsa alla instruktioner som listas nedan kan resultera i elektrisk stöt, brand och/eller allvarlig personskada.

## SYMBOLBETYDELSE

**⚠ SÄKERHETSLARMSYMBOL:** Indikerar FARA, VARNING ELLER FÖRSIKTIGHET, kan användas tillsammans med andra symboler eller bilder.




**⚠ WARNING:** Användning av något elverktyg kan resultera i att främmande föremål kastas in i dina ögon vilket kan resultera i allvarliga ögonskador. Innan elverktyget börjar användas skall alltid skyddsglasögon eller skyddsglasögon med sidoskydd och full ansiktsskydd användas när så behövs. Vi rekommenderar att en ansiktsskyddsmask med brett synfält används ovanpå glasögonen eller standard skyddsglasögon med sidoskydd.

## SÄKERHETSINSTRUKTIONER

Denna sida framställer och beskriver säkerhetssymboler som kan visas på denna produkt. Läs igenom, förstå och följ alla instruktioner på maskinen innan försök görs att montera och hantera den.

	Säkerhetslarm	Indikerar en potentiell risk för personskada.
	Läs igenom bruksanvisningen	För att minska risken för skador måste användaren läsa bruksanvisningen.
	Håll ett lämpligt avstånd från elledningar	För att undvika dödsfall genom elektriska ström, använd inte inom 15 m från elektriska luftledning. Kontakt med eller användning i närheten av elektriska ledningar kan orsaka allvarliga personskador eller dödsfall.
	Buller	Garanterad ljudeffektivitet. Bulleremissioner för omgivningen enligt EU-direktivet.
	CE	Denna produkt är i enlighet med gällande EG-direktiv.
	WEEE	Förbrukade elektriska produkter får inte kastas i hushållsoporna. Lämna in dem till en auktoriserad återvinningsstation.
	Håll händer och fötter borta från skärverktyget.	Försök aldrig att använda elverktyget med endast en hand. Om du tappar kontrollen över elverktyget kan det resultera i allvarliga personskador eller dödsfall. För att minska risken för skärsår, håll händer och fötter på avstånd från skärverktyget. Montera aldrig ett rörligt skärverktyg med handen eller någon annan kroppsdel.

SE

	Använd ögon- och huvudskydd	Använd alltid hörselskydd och huvudskydd när denna produkt används.
IPX5	IP-symbol	Skyddar mot inträngande av vatten grad 5
V	Volt	Spänning
mm	Millimeter	Längd eller storlek
cm	Centimeter	Längd eller storlek
kg	Kilogram	Vikt
	Likström	Typ eller karakteristik av ström

SE

## ⚠ SÄKERHETSVARNINGAR FÖR HÄCKTRIMMER

- **Håll alla kroppsdelar borta från skärbladet. Ta inte ut avskurna objekt eller håll i dem för skärning när skärbladen snurrar. Se till att strömbrytaren är av vid rensning av objekt som fastnat.** Ett ögonblicks ouppmärksamhet vid användning av häcktrimmern kan leda till allvarliga personskador
- **Bär häcktrimmern i handtaget med skärbladet stoppat.** Vid transport eller förvaring av häcktrimmern, montera alltid fast skyddet för skärenheten. Korrekt hantering av häcktrimmern minskar eventuella personskador från skärbladen.
- **Vid transport eller förvaring av häcktrimmern, montera alltid fast skärbladsskyddet.** Korrekt hantering av häcktrimmern minskar risken för personskador från skärbladen.
- **Vid borttagning av material som fastnat eller service av enheten, säkerställ att alla strömbrytare är avslagna och att batteripaketet tagits bort eller frånkopplats.** Övontad aktivering av häcktrimmern när du tar bort fastnat material eller vid service kan leda till allvarliga personskador.
- **Vid borttagning av material som fastnat eller service av enheten, säkerställ att alla strömbrytare är avslagna och att strömbrytaren är i låst position.** Övontad aktivering av häcktrimmern när du tar bort fastnat material eller vid service kan leda till allvarliga personskador.
- **Håll endast häcktrimmern i de isolerade greppytorna eftersom skärbladet kan komma i kontakt med dolda elledningar.** Om skärbladen kommer i kontakt med en strömförande ledning kan de exponerade metalldelarna på häcktrimmern bli strömförande, vilket kan ge operatören en elektrisk stöt.
- **Håll alla strömkablar och ledningar på avstånd från skärområdet.** Strömkablar och ledningar kan vara dolda i häckar eller buskar och kan därmed oavsiktligt skadas av skärbladet.

- **Använd inte häcktrimmern i dåliga väderförhållanden och framför allt inte när det är risk för åska.** Det minskar risken att bli träffad av blixten.

## ⚠ YTTRELLIGARE SÄKERHETSINSTRUKTIONER FÖR HÄCKTRIMMER MED FÖRLÄNGD RÄCKVIDD

- **För att minska risken för dödsfall via elektricitet, använd aldrig häcktrimmern med förläng räckvidd nära elektriska ledningar.** Kontakt med eller användning i närheten av elektriska ledningar kan orsaka allvarliga personskador eller dödsfall.
- **Använd alltid två händer när häcktrimmern med förlängd räckvidd används.** Håll häcktrimmern med förlängd räckvidd med båda händerna för att undvika att kontrollen förloras
- **Använd alltid huvudskydd händer när häcktrimmern med förlängd räckvidd används ovan för huvudhöjd.** Fallande skräp kan resultera i allvarliga personskador.
- **Kontrollera häcken efter främmande objekt som t.ex. trädstängsel och dolda ledningar före användning.**
- **Håll endast elverktyget i de isolerade greppytorna.**
- **Häcktrimmern är avsedda att användas av operatören i marknivå och inte på stegar eller annat instabilt stöd**
- **Använd endast med de batteripaket och laddare som listas i bild A2**

## SPARA DESSA INSTRUKTIONER

YTTRELLIGARE SÄKERHETSREGLER KAN HITTAS I DEN TILLÄMPLIGA TILLBEHÖRENS BRUKSANVISNINGAR.

## SPECIFIKATIONER

Skärbladens längd	510 mm
Skärkapacitet	26 mm
Rekommenderad drifttemperatur	0°C-40°C
Rekommenderad förvaringstemperatur	-20°C-70°C
Vikt	2,67 kg
Uppmätt ljudeffektnivå $L_{WA}$	93,75 dB(A) K=1,7 dB(A)
Ljudtrycksnivå vid operatörens öra $L_{PA}$	83 dB(A) K=3 dB(A)
Garanterad ljudtrycksnivå $L_{WA}$ (uppmätt enligt 2000/14/EG)	95 dB(A)
Värdering av vibration $a_h$	Främre handtag K=1,5 m/s <sup>2</sup>
	Bakre handtag K=1,5 m/s <sup>2</sup>

- Ovanstående parametrar har testats och utmätts med motorenheten PPX1000.
- Det deklarerade totala vibrationsvärdet har uppmätts i enlighet med en standardtestmetod och kan användas för att jämföra ett verktyg med ett annat.
- Det deklarerade totala vibrationsvärdet kan också användas i en preliminär utvärdering av exponeringen.

**OBS!** Vidrationsutstrålningen under verklig användning av elverktyg kan skilja sig från det deklarerade värdet i vilken verktyget används. För att skydda användaren skall skyddshandskar och hörselskydd användas under faktiska användningsförhållandet.

## BESKRIVNING

### LÄRA KÄNNA DIN TILLSATS FÖR HÄCKTRIMMERN (bild A1)

1. Bakre bussning
2. Främre bussning
3. Motorhölje
4. Bladslida
5. Kniv

## PACKLISTA (A2)

## MONTERING

**⚠ VARNING:** Om någon del är skadad eller saknas skall inte denna produkt användas innan delarna ersatts. Användning av denna produkt om den är skadad eller saknar delar kan resultera i allvarliga personskador.

**⚠ VARNING:** Ta alltid ut batteripaketet från produkten vid montering av delar, justeringar, rengöring eller när produkten inte används.

### VINKELINSTÄLLNING SKÄRHUVUD

När häcktrimmerns tillsats tas ut från paketet har den vikts i dess förvaringsposition (bild B). Den länkade vinkeln och radiala rotationen kan justeras var för sig. Ställ in klipp huvudet till en lämplig arbetsposition innan arbetet.

### Länkvinkelinställning

Det finns sex olika arbetslägen. Vinkeln på skärbladet kan ställas in från -68° till 42° (bild C).

1. Dra tillbaka den främre bussningen och håll sedan fast motorhöljet för att vrida skärvinkeln till önskad position.

C-1	Främre bussning
C-2	Bakre bussning

2. När önskad vinkel nåtts, skjut bussningen framåt för att låsa positionen för skärhuvudet.

### Radiell rotationsinställning

Det finns två vertikala skärpositioner (bild D). Den kan ställas in 90° åt vänster eller höger.

1. Dra tillbaka den bakre bussningen och håll sedan fast motorhöljet för att vrida bladet till önskad position.
2. När önskad vinkel nåtts, skjut bussningen framåt för att låsa positionen för skärhuvudet.

**⚠ VARNING:** För att minska risken för skador skall batteriet tas bort innan några justeringar görs och gör endast justeringar när skärbladet står stilla. Rör aldrig skärbladen vid justeringen.

**⚠ VARNING:** Den gjutna kedjelådan är het. Vidrör aldrig den gjutna kedjelådan utan att använda en PPE handske.

### ANSLUTA/TA BORT HÄCKTRIMMERTILLSATSEN FÖR TELESKOPMOTORENHETEN (bild E)

Denna häcktrimmertillsats är designad för användning med EGO teleskopmotorenhet PH1000.

Se avsnittet "INSTALLERA EN TILLSATS TILL TELESKOPMOTORENHETEN" i bruksanvisningen för teleskopmotorenhet PPX1000 för hur man ansluter häcktrimmern till motorenheten.

Se avsnittet "TA BORT EN TILLSATS FRÅN TELESKOPMOTORENHETEN" i bruksanvisningen för teleskopmotorenhet PPX1000 för att ta bort häcktrimmern från motorenheten.

### MONTERA SPETSSKYDDET (tillval)

1. Använd en insexnyckel (medföljer inte) för att avlägsna den korta bulten, planbrickan, bussningen och muttern från änden av skärbladet. Spara den planbrickan, bussningen och muttern för återmonteringen (bild F).

F-1	Mutter	F-3	Planbricka
F-2	Bussning	F-4	Kort bult

2. Rikta in spetskyddet med utbuktningen på skärbladet och montera den på plats. Fäst den med den nya långa bulten och muttern, samt den sparade brickan, bussning och muttern (bild G).

SE

G-1	Mutter	G-4	Bussning
G-2	Spets skydd	G-5	Planbricka
G-3	Mutter	G-6	Lång bult

## DRIFT

**⚠ FARA:** Kapa aldrig i närheten av elledningar, strömkablar eller andra strömkällor. Om skärbladen fastnar i en elledning eller strömkabel, **VIDRÖR INTE SKÄRBLADET ELLER ALUMINIUMSTÄNGEN! DE KAN BLI STRÖMFÖRANDE OCH MYCKET FARLIGA!** Fortsätt att hålla häcktrimmern i de isolerade handtagen eller lägg ner den riktad bort från dig på ett säkert sätt. Koppla ur elektriciteten för den skadade ledningen eller kabeln innan du försöker frigöra skärbladet från ledningen eller kabeln. Kontakt med skärbladet, övriga strömledande delar på häcktrimmern eller strömförande elkablar eller elledningar kan resultera i allvarliga personskador eller dödsfall.

**⚠ VARNING:** Bli inte vårdslös bara för att du är bekant med denna produkt. Kom ihåg att oaktsamhet under en bråkdel av en sekund är tillräcklig för att orsaka allvarliga skador.

**⚠ VARNING:** Använd alltid skyddsglasögon. Om inte så görs kan det resultera i att föremål kastas in i ögonen och andra möjliga allvarliga skador.

**⚠ VARNING:** Använd inga andra tillsatser eller tillbehör än de som rekommenderas av tillverkaren av EGO™. Användning av tillbehör eller tillsatser som inte rekommenderas kan resultera i allvarlig personskada.

## TILLÄMPNINGAR

Du kan använda denna produkt för att trimma häckar, buskar, busksnår och liknande material på grenar som en diameter som understiger  $\varnothing$  26 mm.

## ANVÄNDA HÄCKTRIMMERN MED TELESKOPMOTORENHETEN

**⚠ VARNING:** Använd korrekta kläder för att minska risken för personskador vid användning av detta verktyg. Bär inte löst sittande kläder eller smycken. Använd ögon- och öron-/hörselskydd. Använd rejäla långbyxor, kängor och handskar. Använd inte kortbyxor, sandaler eller gå barfota.

## FÖRBEREDELSE FÖR SKÄRNING:

1. Justera skärhuvudet till önskat arbetsläge.
2. Ta bort bladfodralet från skärbladet.

3. För en säkrare och bättre användning, använd axelremmen över din axel. Justera axelremmen till ett bekvämt arbetsläge. Följ instruktionerna i avsnittet "MONTERA AXELREMME" i bruksanvisningen för motorenhet PPX1000 för hur man monterar axelremmen till motorenheten.

**⚠ VARNING:** Axelremmen är även en snabb frigöringsmekanik vid farliga situationer. När ett nödläge inträffar, ta omedelbart av den från axeln oavsett vilket läge som remmen är i.

**⚠ VARNING:** Använd alltid två händer när häcktrimmern med förlängd räckvidd används. Håll häcktrimmern med förlängd räckvidd med båda händerna för att undvika att kontrollen förloras. Följ instruktionerna i avdelningen "HÅLLA TELESKOPMOTORENHETEN" i PPX1000 bruksanvisningen.

## ARBETSTEKNIKER

### Horisontell skärning (med skärhuvudet vinklat):

Beskär nära marken från ett stående läge, t.ex. för beskärning av låga buskar.

Svinga skärhuvudet åt höger och vänster längs med häcken - använd båda sidorna av skärbladet, undvik att placera skärbladet mot marken (bild H).

### Horisontell skärning (med rakt skärhuvud):

Håll skärhuvudet vid 0° vinkel och svinga långsamt häcktrimmern horisontellt. Svinga skärhuvudet i en båge mot häckens utsida så att de avklippta delarna sveps till marken (bild I).

**Rekommendation:** Beskär häckar som är i högst brösthöjd med detta arbetsläge.

### Vertikal skärning (med skärhuvudet vinklat):

Beskär utan att stå direkt bredvid häcken, t.ex. med en rabatt mellan användaren och häcken.

I detta skärläge rekommenderas det, för bättre kontroll över häcktrimmern att ansluta häcktrimmern med skärhuvudet i sidobeskrningsläge.

Svinga skärhuvudet upp och ner i en båge runt häcken - använd båda sidorna av skärbladet (bild J).

### Vertikal skärning (med rakt skärhuvud):

Extra lång räckvidd utan behov av andra hjälpmedel. Svinga skärbladet upp och ner i en båge allt eftersom du förflyttar dig längs med häcken - använd båda sidorna av skärbladet (bild K).

### Beskärning över huvudhöjd (med skärhuvudet vinklat)

Håll häcktrimmern vertikalt och svinga den i en båge för maximal användning av dess räckvidd (bild L1 och L2). För extremt höga häckar är förlängningsstången lämplig för hjälpmedel för trimning.

**⚠ VARNING:** Alla arbetslägen ovanför huvudhöjd är utmattande. För att minska risken för olyckor, arbeta endast korta perioder i dessa positioner. Ställ in vinkeln för det justerbara skärhuvudet till maximum så att verktyget kan hållas i ett lägre, mindre tröttsamt läge (med axelrem) medan tillräcklig räckvidd ännu bibehålls.

### STARTA/STOPPA VERKTYGET

Se avsnittet **“STARTA/STOPPA MOTORENHETEN”** i bruksanvisningen för motorenhet PPX1000.

## UNDERHÅLL

**⚠ VARNING:** Vid service ska enbart identiska utbyteskomponenter användas. Inspektera och underhåll maskinen regelbundet. För att garantera en säker och pålitlig användning måste alla reparationer utföras av en kvalificerad servicetekniker.

**⚠ VARNING:** Före inspektion, rengöring eller service av enheten, stoppa motorn, vänta tills alla rörliga delar har stoppats och ta sedan ut batteripaketet. Underlåtenhet att följa dessa instruktioner kan resultera i allvarliga personskador eller skada på egendom.

**⚠ NOTERA:** Inspektera hela produkten innan varje användning om där finns skador, saknade eller lösa delar såsom skruvar, muttrar, bultar, höljen etc. Dra åt alla fästelement och lock och använd inte denna produkt innan alla saknade eller skadade delar bytts ut. Kontakta kundtjänst eller en behörig servicetekniker.

### ALLMÄNT UNDERHÅLL

Använd inte lösningsmedel när du rengör plastdelarna. De flesta plaster är känsliga för skador från olika typer av kommersiella lösningsmedel och kan skadas av dess användning. Använd rena trasor för att ta bort smuts, damm, olja, fett osv.

### RENGÖRING AV HÄCKTRIMMERTILLSATS

1. Stoppa motorn och ta bort batteripaketet.
2. Ta bort smuts och skräp från häcktrimmertillsatsen med en fuktad trasa med ett mildt rengöringsmedel.

**NOTERA:** Använd inte starka rengöringsmedel på plasthöljet eller handtaget. Det kan orsaka skador av vissa aromatiska oljor som t.ex. tall och citron.

### FÖRVARING AV HÄCKTRIMMERTILLSATSEN

1. Stoppa motorn och ta bort batteripaketet från teleskopmotorenheten.
2. Ta bort häcktrimmertillsatsen från teleskopmotorenheten.
3. Ta bort alla främmande föremål från häcktrimmertillsatsen.
4. Förvara den på en plats som är utom räckhåll för barn.
5. Håll den borta från frätande medel som t.ex. trädgårdskemikalier och vägsalt.

### BYTA UT SKÄRBLADET

**⚠ VARNING:** Använd alltid handskar när sågkedjan hanteras, dessa komponenter är vassa och kan innehålla grader.

1. Stäng av verktyget och ta bort batteripaketet.
2. Justera bladet till horisontell position, se till att bladenheten är i linje med häcktrimmerskafvet för enkle monteringen (bild M).

M-1	Skruv 1# (korta skruvar)	M-6	Bussning
M-2	Undre hölje	M-7	Skruv 2# (långa skruvar)
M-3	Stödplatta 3#	M-8	Stödplatta 2#
M-4	Länkspak	M-9	Bladenhet
M-5	Stödplatta 1#	M-10	Excentriskt block

3. Använd en insexnyckel (medföljer inte) för att lossa de sex skruvarna 1# (korta skruvar) i underhöljet och ta bort dem.
4. Fortsätt att lossa de två skruvarna 2# (långa skruvar) för att ta bort stödplattan 1# & 2#, samt den två bussningarna. De två bussningarna är separat placerade inuti de två runda rektangelöppningarna i bladenheten.
5. Ta bort stödplattan 3#.
6. Ta försiktigt bort länkspaken från bladet.
7. Ta bort bladenheten från verktyget och se till att den excentriska blockenhetens position förblir oförändrad.
8. Rikta in den inåtriktade bukningen på den nya bladenheten mot hålet på insidan av länkspaken för att installera den nya bladenheten på plats.
9. Sätt i de två bussningarna i de två rundande rektanglarna separat.
10. Montera stödplattan 1# och montera sedan stödplattan 2#.

SE

- Håll inre hålen i bladet, bussningen och hålen i stödplattan i linje med skruvhålen i växelhuset. Installera de två långa skruvarna i de inriktade hålen och dra åt dem.
- Flytta det övre bladet fram och tillbaka för att kontrollera att bladet kan röra sig fritt. Om inte, montera om bladen tills den övre bladet kan röra sig fritt.
- Installera länkspaken
- Rikta in hålet på stödplattan 3 # mot buktningen på excentriska blocket för att installera stödplattan på plats, se till att plattan är exakt placera i mitten parallellt till båda kanterna.
- Montera det under höljet på växelhuset och fäst med sex korta skruvar.

## SE

### SMÖRJA SKÄRBLADET (bild N)

För bästa funktion och längre livslängd, smörj häcktrimmerns skärblad med antirostolja efter varje användning. Fyll INTE OLJEHÅLET FULLT MED OLJA.

- Ta bort oljehålet skruv på växelhuset med en insexnyckel (medföljer inte).

N-1	Oljehålskruv
-----	--------------

- Injicera 5g fett genom fetthålet till växelhuset.
- Dra åt skruven när det är klart.

### SMÖRJA DRIVVÄXELN

För bästa drift och längre livslängd, smörj häcktrimmertillsatsens drivväxellåda med specialfett vid var 100:e timmes drift.

Fettet skall uppfylla följande krav:

- NLGI Grads penetrering: NLGI-2;
- Tjockare typ: Polyurea;
- Rekommenderat drifttemperaturområde: -40°C till 180°C;
- Annat än ovan, fettet skall också vara skjuvstabil med exceptionell tryckkaraktistik och ha utmärka egenskaper för antislitage och perfekt antioxidationsstabilitet.

Följ stegen nedan för att fylla på med fett:

- Stäng av verktyget och ta bort batteripaketet.
- Använd en insexnyckel (medföljer inte) för att lossa de tre korta skruvarna (O-1) på motorhöljet (O-2) och lossa sedan motorhöljet (bild O).

O-1	Kort skruv	O-5	Bricka
O-2	Motorlock	O-6	Växelhhus
O-3	Kort skruv	O-7	Planetväxlar
O-4	Motor		

- Lossa de tre korta skruvarna (O-3) på motorn och lossa sedan motorn och brickan.
- Använd en fettpistol (medföljer inte) för att injicera 5 g fett i mitten av de tre övre planetväxlarna (O-7) i växelhuset.

**NOTERA:** Se till att positionen hos de andra delarna nära växelhuset blir oförändrade under injektionen.

- Montera tillbaka brickan och motorn genom att dra åt de tre korta skruvarna (O-3).
- Montera tillbaka motorhöljet genom att dra åt de tre korta skruvarna (O-1).
- Starta verktyget för att kontrollera om det fungerar normalt. Om den inte gör det. återmontera såsom beskrivs ovan.

**NOTERA:** Efter borttagning av motorhöljet, ta bort sågdammet runt motorn.

### Skydda miljön



Kasta inte elektrisk utrustning, batteriladdare och batterier/laddningsbara batterier i hushållssoporna!

## FELSÖKNING

PROBLEM	ORSAK	LÖSNING
Häcktrimmern fungerar inte.	<ul style="list-style-type: none"> <li>■ Ingen elektrisk kontakt mellan trimmern och batteriet.</li> <li>■ Batteripaketet är helt tomt.</li> <li>■ Batteripaketet eller verktyget är över temperaturskyddet.</li> <li>■ Skärbladet har fastnat.</li> </ul>	<ul style="list-style-type: none"> <li>■ Ta bort batteriet, kontrollera kontakterna och sätt sedan tillbaka batteripaketet.</li> <li>■ Ladda batteripaketet.</li> <li>■ Låt batteripaketet eller motorenheten svalna tills temperaturen sjunker under 67 °C.</li> <li>■ Ta ut batteripaketet från verktyget. Avlägsna försiktigt hindret och återanslut sedan batteriet och starta verktyget igen.</li> </ul>
Kraftiga vibrationer eller oljud.	<ul style="list-style-type: none"> <li>■ Torra eller rostiga skärblad.</li> <li>■ Skärbladet eller dess hållare är böjd.</li> <li>■ Böjd eller skadad sågtand.</li> <li>■ Skärbladets bultar behöver dras åt.</li> </ul>	<ul style="list-style-type: none"> <li>■ Smörj in skärbladen.</li> <li>■ Byt till ett nytt blad eller läs följande avsnitt i denna manual "BYTE AV BLADET" eller kontakta EGO servicecenter för byte.</li> <li>■ Byte till ett nytt blad, se följande avsnitt i denna manual "BYTE AV BLADET" eller kontakta EGO servicecenter för byte.</li> <li>■ Dra åt skärbladets bultar. Använd en insexnyckel (medföljer ej) för att skruva bultarna medurs för att dra åt.</li> </ul>

SE

## GARANTI

### EGO GARANTIPOLICY

Besök webbsidan [egopowerplus.com](http://egopowerplus.com) för fullständiga villkor för EGO garantipolicy.

## LUE KAIKKI OHJEET!



### LUE KÄYTTÖOPAS

**⚠ Jäännösriski!** Henkilöiden, joilla on sydämentahdistin tai muu vastaava elektroninen laite, tulisi keskustella lääkärin kanssa ennen tämän tuotteen käyttöä. Sähkölaitteiden käyttö sydämentahdistimen lähettyvillä saattaa häiritä tahdistimen toimintaa tai aiheuttaa vakavan toimintahäiriön.

**⚠ VAROITUS:** Anna asiantuntevan huoltoteknikon tehdä kaikki korjaukset ja osien vaihdot, jotta laite on varmasti turvallinen ja luotettava.

FI

## TURVALLISUUSSYMBOLIT

Turvallisuussymbolien tarkoituksena on kiinnittää huomiota mahdollisiin vaaroihin. Turvallisuussymbolit ja niiden selitykset on syytä lukea tarkkaan ja ymmärtää perusteellisesti. Varoitusymbolit eivät yksin poista vaaran mahdollisuutta. Niiden antamat ohjeet ja varoitukset eivät korvaa kunnollisia onnettomuuksien ehkäisytoimenpiteitä.

**⚠ VAROITUS:** Lue ja ymmärrä tämän käyttöoppaan kaikki turvallisuusohjeet, mukaan lukien kaikki turvallisuusvaroitussymbolit, kuten ”VAARA”, ”VAROITUS” ja ”HUOMIO” ennen laitteen käyttämistä. Alla olevien ohjeiden noudattamatta jättäminen saattaa aiheuttaa sähköiskun, tulipalon ja/tai vakavan henkilökohtaisen vamman.

## SYMBOLIEN MERKITYKSET

**TURVALLISUUSHÄLYTYKSEN SYMBOLI:** Ilmaisee VAARAA, VAROITUSTA tai HUOMIOTA, voidaan käyttää muiden symbolien tai kuvamerkkien yhteydessä.



**⚠ VAROITUS:** Minkä tahansa sähkötyökalun käyttö saattaa aiheuttaa vierasesineiden sinkoutumisen silmiin, mikä voi aiheuttaa vakavia silmävammoja. Käytä aina suojalaseja, joissa on sivusuojat, ja tarvittaessa koko kasvoja peittävää suojaa, kun käytät sähkötyökaluja. Silmälasien päällä suosittelemme käytettäväksi suojamaskia, jossa on laaja näkökenttä, tai tavallisia suojalaseja, joissa on sivusuojat.

## TURVALLISUUSOHJEET

Tällä sivulla kuvataan ja esitellään turvallisuussymbolit, jotka saattavat esiintyä tässä tuotteessa. Lue, ymmärrä

ja noudata kaikkia laitteen ohjeita ennen kuin yrität koota sen tai käyttää sitä.

	Turvalli- suushälytys	Osoittaa mahdollista henkilövahinkojen vaaraa.
	Lue käyttöopas	Käyttäjän on luettava käyttöopas loukkaantumisaaran vähentämiseksi.
	Pidä riittävä etäisyys sähkölinjoihin.	Vältä sähköiskut, älä käytä alle 15 metrin etäisyydellä ilmasähkölinjoista. Kosketus sähkölinjaan tai käyttö sähkölinjan lähellä voi aiheuttaa vakavan henkilövahingon tai kuolemaan johtavan sähköiskun.
	Melu	Taattu äänitehotaso. Melupäästöt ympäristöön Euroopan yhteisön direktiivin mukaiset.
	CE	Tämä tuote vastaa sovellettavia EU-direktiivejä.
	WEEE	Vanhoja sähkölaitteita ei saa hävittää kotitalousjätteen mukana. Vie laite valtuutettuun kierrätyslaitokseen.
	Pidä kätesi ja jalkasi etäällä leikkuuterästä	Älä koskaan yritä käyttää sähkötyökalua yhdellä kädellä. Sähkötyökalun hallinnan menetys johtaa vakavaan henkilövahinkoon tai jopa kuolemaan. Vähennät viittovammojen vaaraa pitämällä kätesi ja jalkasi etäällä leikkuuterästä. Älä koske liikkuvaan terään kadellasi tai muulla kehon osalla.



	Käytä silmäsuojaimia ja suojakypärää	Käytä aina silmäsuojaimia ja suojakypärää, kun käytät laitetta.
IPX5	IP-symbolit	Suojaus vesiroiskeilta luokitus 5
V	Voltti	Jännite
mm	Millimetri	Pituus tai koko
cm	Senttimetri	Pituus tai koko
kg	Kilogramma	Paino
	Tasavirta	Virran tyyppi tai ominaisuus

### PENSASLEIKKURIN TURVALLISUUSVAROITUKSET

- Pidä kaikki kehon osat etäällä leikkurin terästä. Älä poista leikattua materiaalia tai pidä kiinni leikattavasta materiaalista, kun terä liikkuu. Varmista, että kytkin on pois päältä, kun puhdistat tukkeutunutta. Hetkellinenkin huolimattomuus pensasleikkurin käytön aikana voi aiheuttaa vakavan vamman.
- Kanna pensasleikkuria kahvasta niin, että leikkurin terä on pysähtynyt. Kun kuljetat pensasleikkuria tai viet sen varastoon, kiinnitä aina leikkuulaitteen suoja paikalleen. Pensasleikkurin oikea käsittely vähentää leikkaavien terien aiheuttamia mahdollisia henkilövahinkoja.
- Kun kuljetat pensasleikkuria tai viet sen varastoon, kiinnitä aina teräsuojus. Pensasleikkurin asianmukainen käsitteleminen vähentää terien aiheuttamien henkilövahinkojen vaaraa.
- Kun poistat juuttunutta materiaalia tai huollat laitetta, varmista, että kaikki virtakytkimet on kytketty pois päältä ja akku on irrotettu tai kytketty irti. Odottamaton pensasleikkurin käynnistyminen tukosmateriaalia poistettaessa tai huollon aikana voi aiheuttaa vakavan henkilövahingon.
- Kun poistat juuttunutta materiaalia tai huollat laitetta, varmista, että kaikki virtakytkimet on kytketty pois päältä ja laite on lukitussa tilassa. Odottamaton pensasleikkurin käynnistyminen tukosmateriaalia poistettaessa tai huollon aikana voi aiheuttaa vakavan henkilövahingon.
- Kanna sähkötyökaluun vain eristetyistä tartuntapinnoista, koska leikkaava terä voi osua piilossa oleviin johtoihin. Terien kosketus "jännitteiseen" johtoon tekee myös pensasleikkurin metalliosat "jännitteisiksi" ja saattaa aiheuttaa sähköiskun käyttäjälle.

- Pidä kaikki virtajohdot ja kaapelit poissa leikkuualueelta. Virtajohdot tai kaapelit voivat olla piilossa pensasaidoissa tai pensaisissa, jolloin terä voi vahingossa katkaista ne.
- Vältä pensasleikkurin käyttämistä huonoissa sääolosuhteissa, etenkin jos on salamoinnin vaara. Tämä vähentää salamaiskuvahingon vaaraa.

### LISÄTURVALLISUUSOHJEET TELESKOOPPIVARRELLA VARUSTETUILLE PENSASLEIKKUREILLE

- Älä koskaan käytä teleskooppivarrella varustettuja pensasleikkureita lähellä sähkölinjoja sähköiskuvaaran takia. Kosketus sähkölinjaan tai käyttö sähkölinjan lähellä voi aiheuttaa vakavan henkilövahingon tai kuolemaan johtavan sähköiskun.
- Käytä aina molempia käsiä, kun käytät teleskooppivarrella varustettua pensasleikkuria. Pidä teleskooppivarrella varustettua pensasleikkuria molemmilla käsillä, jotta vältät hallinnan menetyksen.
- Käytä aina kypärää, kun käytät teleskooppivarrella varustettua pensasleikkuria. Putoavat roskat saattavat aiheuttaa vakavan henkilövahingon.
- Tarkasta pensasaita vieraiden esineiden, kuten teräslanka-aitojen ja piilossa olevien johtojen varalta.
- Tartu sähkötyökaluun vain eristetyistä pinnoista.
- Pensasleikkuri on tarkoitettu käytettäväksi maasta käsin, ei tikkaiden tai muiden epävakaiden tukien päältä.
- Käytä vain kuvassa A2 lueteltujen akkujen ja latureiden kanssa

**F1**

### SÄILYÄ NÄMÄ OHJEET

ERITYISIÄ LISÄTURVAOHJEITA ON KÄYTETTÄVÄN LISÄOSAN KÄYTTÖOPPAASSA.

### TEKNISET TIEDOT

Terän pituus	510 mm
Leikkuukapasiteetti	26 mm
Suosittelut käyttölämpötila	0°C-40°C
Suosittelut säilytyslämpötila	-20°C-70°C
Paino	2.67 kg
Mitattu äänitehotaso $L_{WA}$	93.75 dB(A) K=1.7 dB(A)
Äänenpaineen taso käyttäjän korvien tasolla $L_{PA}$	83 dB(A) K=3 dB(A)

Taattu äänenhehotos $L_{wa}$ (mitattu 2000/14/EY mukaisesti)		95 dB(A)
Tärinäarvo $a_n$	Etukahva	1.3 m/s <sup>2</sup> K=1.5 m/s <sup>2</sup>
	Takakahva	1.5 m/s <sup>2</sup> K=1.5 m/s <sup>2</sup>

- Edellä esitetyt parametrit on testattu ja mitattu akkuvarren PPX1000 kanssa;
- Ilmoitettu tärinän kokonaispäästöarvo on mitattu standarditestausten mukaisesti, ja sen avulla voidaan vertailla työkaluja keskenään;
- Ilmoitettua tärinän kokonaispäästöarvoa voidaan käyttää myös altistumisen alustavaan arviointiin.

FI

**HUOMAA:** Työkalun käytön aikana mitattu todellinen tärinäpäästöarvo voi poiketa ilmoitetusta kokonaispäästöarvosta työkalun käyttövastasta johtuen; käyttäjän suojaamiseksi tulee käyttää käsineitä ja kuulosuojaimia varsinaisissa käyttöolosuhteissa.

## KUVAUS

### OPETTELE TUNTEMAAN PENSASLEIKKURILISÄOSA (kuva A1)

- Takaholkki
- Etuholkki
- Moottorin kotelo
- Teränsuojus
- Terä

## PAKKAUSLUETTELO (A2)

### KOKOONPANO

**VAROITUS:** Jos jokin osa on vahingoittunut tai puuttuu, älä käytä tuotetta ennen kuin osat on vaihdettu. Tuotteen käyttö vioittuneilla tai puuttuvilla osilla voi aiheuttaa vakavan henkilövahingon.

**VAROITUS:** Poista akku laitteesta aina, kun kokoat osia, teet säätöjä tai puhdistat laitetta, tai kun et käytä laitetta.

### LEIKKAAVAN PÄÄN KULMAN SÄÄTÄMINEN

Kun pensasleikkurilisäosa puretaan pakkauksesta, se on asetettuna säilytysasentoon (kuva B). Nivelkulmaa ja sahauspään säteittäistä pyörintää voidaan säätää erikseen. Säädä leikkuupää sopivaan työskentelyasentoon ennen käyttämistä.

### Nivelkulman säätäminen

Valittavana on kuusi työasentoa. Leikkuuterän kulma voidaan säätää alueelle -68°–42° (kuva C).

- Vedä etuholkki taakse ja pidä tukevasti moottorin kannesta, kun käännät leikkuukulman haluamaasi asentoon.

C-1	Etuholkki
C-2	Takaholkki

- Kun haluttu kulma on saavutettu, lukitse leikkuupään asento työntämällä holkki eteenpäin.

### Säteittäisen pyörimisen säätäminen

Laitteessa on kaksi pystyleikkuuasentoa (kuva D). Vasemmalle tai oikealle voidaan säätää 90°.

- Vedä takaholkki taakse ja pidä tukevasti moottorin kannesta, kun käännät terän haluamaasi asentoon.
- Kun haluttu kulma on saavutettu, lukitse leikkuupään asento työntämällä holkki eteenpäin.

**VAROITUS:** Loukkaantumisaarvan vähentämiseksi poista akku ennen säätöjen tekemistä ja tee säädöt vain, kun terät ovat pysähdyksissä. Älä koskaan koske teriin säätöjen aikana.

**VAROITUS:** Valuseoksesta valmistettu vaihteistokotelo on kuuma. Älä koskaan koske valuseoksesta valmistettua vaihteistokotelo ilman PPE-käsineitä.

### PENSASLEIKKURILISÄOSAN KIINNITTÄMINEN AKULLISEEN TELESKOOPPIVARTEEN JA IRROTTAMINEN SIITÄ (kuva E)

Tämä pensasleikkurilisäosa on suunniteltu käytettäväksi akullisen EGO-teleskooppivarren PPX1000 kanssa.

Katso pensasleikkurin kiinnittäminen akulliseen varteeseen akullisen teleskooppivarren PPX1000 käyttöoppaasta kohdasta "LISÄOSAN ASENTAMINEN AKULLISEEN TELESKOOPPIVARTEEN".

Katso pensasleikkurin irrottaminen akullisesta varresta akullisen teleskooppivarren PPX1000 käyttöoppaasta kohdasta "LISÄOSAN IRROTTAMINEN AKULLISESTA TELESKOOPPIVARRESTA".

### KÄRJEN SUOJUKSEN ASENTAMINEN (lisävaruste)

- Käytä kuusiokoloavainta (ei mukana) ja irrota lyhyt pultti, aluslevy, holkki ja mutteri leikkuuterän päästä. Pidä aluslevy, holkki ja mutteri tallessa uudelleen asentamista varten (kuva F).

F-1	Mutteri	F-3	Sileä aluslevy
F-2	Holkki	F-4	Lyhyt pultti

2. Kohdista kärjen suojus leikkuuterän ulokkeeseen ja asenna se paikalleen. Kiinnitä se uudella pitkällä puittilla ja mutterilla sekä talleissa olevilla aluslevyllä, holkillilla ja mutterilla (kuva G).

G-1	Mutteri	G-4	Holkki
G-2	Kärjen suojus	G-5	Sileä aluslevy
G-3	Mutteri	G-6	Pitkä puutti

## KÄYTTÖ

**VAARA:** Älä koskaan työskentele lähellä sähkölinjoja, sähköjohtoja tai muita sähkövirran lähteitä. Jos leikkuuterät jäävät kiinni sähköjohtoon tai sähkölinjaan, **ÄLÄ KOSKE LEIKKUUTERÄÄN TAI ALUMIINIVARTEEN! NE VOIVAT OLLA JÄNNITTEELLISIÄ JA ERITTÄIN VAARALLISIA.** Pidä edelleen pensasleikkuriliisäosan eristetystä kahvasta kiinni tai laske se maahan ja kauas itsestäsi turvallisesti. Irrota vahingoittunut johto tai kaapeli sähköverkosta ennen kuin yrität irrottaa johdon tai kaapelin terästä. Terään, muihin pensasleikkuriliisäosan sähköä johtaviin osiin, jännitteellisiin sähköjohtoihin tai sähkölinjoihin koskeminen aiheuttaa tappavan sähköiskun tai vakavan henkilövahingon.

**VAROITUS:** Älä anna tämän laitteen tuttuuden tehdä sen käsittelystä huolimattomaa. Muista, että sekunnin sadasosankin huolimattomuus riittää vakavan vamman aiheutumiseen.

**VAROITUS:** Käytä aina silmäsuojaimia. Tämän ohjeen laiminlyöminen saattaa aiheuttaa esineiden sinkoutumisen silmiin ja mahdollisen vakavan henkilövahingon.

**VAROITUS:** Älä käytä lisälaitteita tai lisävarusteita, jos niitä ei ole suositellut valmistaja EGO™. Tällaisten lisävarusteiden tai apuvälineiden käyttö saattaa aiheuttaa vakavia henkilövahinkoja.

### KÄYTTÄMINEN

Voit käyttää tätä tuotetta pensasaitojen, pensaiden ja pensaikkojen, joiden oksan halkaisija on alle 26 mm, leikkaamiseen.

### PENSASLEIKKURILISÄOSAN KÄYTTÄMINEN AKULLISEN TELESKOOPPIVARREN KANSSA

**VAROITUS:** Pukeudu asianmukaisesti välttääksesi loukkaantumisvaaran työkalua käyttäessäsi. Älä käytä väliä vaatteita tai koruja. Käytä suojalaseja ja kuulosuojaimia. Käytä paksuja, pitkälahkeisia housuja, kunnollisia jalkineita ja suojakäsineitä. Älä käytä lyhytlahkeisia housuja, sandaaleita tai ole paljain jaloin.

### LEIKKUUN VALMISTELU:

- Säädä leikkuupää haluamaasi työskentelyasentoon.
- Irrota teränsojrus leikkuuterästä.
- Käytön turvallisuuden ja sujuvuuden takia laita olkahihna olan yli. Säädä olkahihnaa, kunnes käyttöasento on mukava. Katso olkahihnan kiinnittäminen akulliseen varteen PPX1000:n käyttöoppaan kohdasta **"OLKAHIHMAN ASENTAMINEN"**.

**VAROITUS:** Olkahihna on myös nopea vapautusmekanismi vaaratilanteissa. Kun on hätätilanne, ota laite olalasi välittömästi riippumatta hihnan asennosta.

**VAROITUS:** Käytä aina molempia käsiä, kun käytät teleskooppivarrella varustettua pensasleikkuria. Pidä teleskooppivarrella varustettua pensasleikkuria molemmilla käsillä, jotta vältät hallinnan menetyksen. Noudata PPX1000:n käyttöoppaan ohjeita kohdasta **"AKULLISEN TELESKOOPPIVARREN PITÄMINEN"**

### TYÖSKENTELYTEKNIIKAT

#### Vaakasuraan leikkaus (leikkuupää kulmassa)

Leikkaaminen läheltä maata seisten, esim. matalien pensaiden leikkaus.

Liikuta leikkuupäätä oikealle ja vasemmalle, kun siirryt pensasaitaa eteenpäin. Käytä terän molempia reunoja, älä anna leikkuuterän osua maahan (kuva H).

#### Vaaka-suora leikkaus (suoralla leikkuupäällä)

Aseta leikkuupää 0° kulmaan, kun liikutat pensasleikkuria hitaasti vaakasuraan. Liikuta leikkuupäätä kaaressa pensasaidan reunoille päin, jotta leikatut oksat putoavat maahan (kuva I).

**Suositus:** leikkaa tässä työskentelyasennossa korkeintaan rinnan korkeudelle ulottuvia pensasaitoja.

#### Pystysuraan leikkaus (leikkuupää kulmassa)

Pensasaidan leikkaaminen kauempaa, esim. jos käyttäjän ja pensasaidan välissä on kukkapenkki.

Tässä leikkuuasennossa pensasleikkurin hallinta on helpompaa. Suosittelemme yhdistämään pensasleikkurin leikkuupää sivuleikkuuasennossa.

Liikuta leikkuupäätä kaaressa ylös ja alas, kun siirryt pensasaitaa eteenpäin. Käytä leikkuuterän molempia reunoja (kuva J).

#### Pystysuraan leikkaus (suoralla leikkuupäällä)

Erittäin pitkä ulottuma ilman muita apuvälineitä. Liikuta leikkuupäätä kaaressa ylös ja alas, kun siirryt pensasaitaa eteenpäin. Käytä leikkuuterän molempia reunoja (kuva K).

## Yläpuolelta leikkaus (leikkuupää kulmassa)

Pidä pensasleikkuria pystysuorassa asennossa ja liikuta sitä kaaressa, jolloin sen ulottuvuus on suurin (kuva L1 ja L2). Jatkovarsi on sopiva apuväline, jos pensasaita on hyvin korkea.

**VAROITUS:** Kaikki leikkuuasennot pään yläpuolelta leikatessa ovat raskaita. Leikkaa turvallisuutesi takia tällä tavoin vain vähän aikaa kerrallaan. Aseta säädettävä leikkuupää niin suureen kulmaan kuin mahdollista, jolloin työkalua voi pitää alempana, vähemmän rasittavassa asennossa (olkahihnalla) ulottuvuuden ollessa kuitenkin riittävä.

## TYÖKALUN KÄYNNISTÄMINEN/SAMMUTTAMINEN

Katso akullisen varren PPX1000 käyttöoppaasta kohta "AKULLISEN TELESKOOPPVARREN KÄYNNISTÄMINEN/SAMMUTTAMINEN"

FI

## KUNNOSSAPITO

**VAROITUS:** Käytä huollon yhteydessä vain identtisiä varaosia. Tarkasta kone ja huolla sitä säännöllisesti. Pätevän huoltoteknikon tulee suorittaa kaikki korjaukset, jotta voidaan taata tuotteen turvallinen ja luotettava käyttö.

**VAROITUS:** Pysäytä moottori, odota kaikkien liikkuvien osien pysähtymistä ja poista akku ennen laitteen tarkastamista, puhdistamista tai huoltamista. Näiden ohjeiden noudattamatta jättäminen saattaa johtaa vakavaan henkilövahinkoon tai omaisuusvahinkoon.

**HUOMAUTUS:** Ennen jokaista käyttökertaa tarkista koko laite vahingoittuneiden, puuttuvien tai löystyneiden osien varalta, kuten ruuvit, mutterit, pultit, korkit jne. Kiinnitä kaikki kiinnittimet ja korkit tiukasti, äläkä käytä laitetta ennen kuin kaikki puuttuvat tai vahingoittuneet osat on vaihdettu. Ota yhteyttä asiakaspalveluun tai pätevään huoltoasentajaan.

## YLEINEN KUNNOSSAPITO

Vältä liuotainaineiden käyttöä, kun puhdistat muoviosia. Useimmat muovit ovat herkkiä vaurioitumaan erilaisista kaupallisista liuottimista ja voivat vaurioitua niiden käytöstä. Poista lika, pöly, öljy, rasva ym. puhtaalla liinalla.

## PENSASLEIKKURILISÄOSAN PUHDISTAMINEN

1. Pysäytä moottori ja poista akku.
2. Puhdista lika ja roskat pensasleikkurilisäosasta kostealla liinalla ja miedolla puhdistusaineella.

**HUOMAUTUS:** Älä käytä voimakkaita puhdistusaineita muoviseen kuoreen tai kahvaan. Ne saattavat vahingoittaa tietyistä aromaattisista öljyistä, kuten mänty ja sitruuna.

## PENSASLEIKKURILISÄOSAN SÄILYTTÄMINEN

1. Sammuta moottori ja poista akku akullisesta teleskooppivarresta.
2. Irrota pensasleikkurilisäosa akullisesta teleskooppivarresta.
3. Puhdista kaikki vieras materiaali pensasleikkurilisäosasta.
4. Säilytä sitä paikassa, johon lapset eivät pääse.
5. Pidä poissa syövyttävien aineiden, kuten puutarhakemikaalien ja jäänestosuolojen, läheltä.

## TERÄN VAIHTAMINEN

**VAROITUS:** Käytä aina hansikkaita, kun käsittelet terää; nämä komponentit ovat teräviä ja niissä saattaa olla särmiä.

1. Kytke työkalu pois päältä ja poista akku.
2. Säädä terä vaaka-asennossa, ja varmista, että teräkokoontu kohdistuu pensasleikkurin karaan asennuksen helpottamiseksi (kuva M).

M-1	Ruuvi 1# (lyhyet ruuvit)	M-6	Holkki
M-2	Pohjakansi	M-7	Ruuvi 2# (pitkät ruuvit)
M-3	Tukilevy 3#	M-8	Tukilevy 2#
M-4	Lenkkivipu	M-9	Teräkokoontu
M-5	Tukilevy 1#	M-10	Epäkeskolohko

3. Käytä kuusiokoloavainta (ei mukana) ja löysää 6 ruuvia 1# (lyhyet ruuvit pohjakannesta ja irrota ne.
4. Jatka löysäämällä 2 ruuvia 2# (pitkät ruuvit) irrottaaksesi tukilevyt 1# ja 2# sekä 2 holkkia. 2 holkkia on sijoitettu erikseen teräkokoontu kahden pyöristetyn suorakulmisen paikan sisälle.
5. Irrota tukilevy 3#.
6. Irrota varovasti lenkkivipu terästä.
7. Irrota teräkokoontu työkalusta, ja varmista, että epäkeskolohkokokoontu sijainti ei muutu.
8. Kohdistu uuden teräkokoontu sisäänpäin oleva kohouma lenkkivivun sisällä olevan reiän kanssa uuden teräkokoontu asentamiseksi.
9. Työnnä kaksi holkkia kahteen pyöristetetty suorakulmioon erikseen.
10. Asenna tukilevy 1# ja asenna sen jälkeen tukilevy 2#.

- Pidä terän sisäpuolen reiät, holkit ja tukilevyjen reiät linjassa vaihekotelon ruuvinreikien kanssa. Asenna 2 pitkä ruuvia kohdistettuihin reikiin ja kiristä ne kunnolla.
- Liikuta ylempää terää hieman edestakaisin tarkistaaksesi, liikkuko terä vapaasti. Jos ei, asenna terät uudelleen, kunnes ylempi terä pääsee liikkumaan vapaasti.
- Asenna lenkkivipu.
- Kohdista tukilevyn 3 # reikä epäkeskolohkon kohouman kanssa asentaaksesi tukilevyn paikalleen varmistaen, että levy on tarkalleen keskellä, molempien reunojen suuntaisesti.
- Asenna pohjakansi vaihteistokoteloon ja kiinnitä se 6 lyhyellä ruuvilla.

### TERÄN VOITELU (kuva N)

Paras käytettävyyys ja pidempi terän käyttöikä saavutetaan, kun pensasleikkurin terä voidellaan jokaisen käyttökerran jälkeen ruosteenestoöljyllä. ÄLÄ TÄYTÄ ÖLJYREIKÄÄ TÄYSIN TÄYTEEN ÖLJYLLÄ.

- Irrota vaihteistokotelon voitelureiän ruuvi kuusiokoloavaimella (ei ole mukana).

N-1	Voitelureiän ruuvi
-----	--------------------

- Ruiskuta 5 g rasvaa vaihteistokoteloon voitelureiän kautta.
- Kiristä ruuvi, kun olet valmis.

### KÄYTTÖVAIHTEN VOITELU

Parhaan toimivuuden ja pitkän käyttöiän takaamiseksi voitele pensasleikkurilisäosan käyttöväihde erikoirasvalla 100 käyttötunnin välein.

Rasvan on täytettävä seuraavat vaatimukset:

- NLGI tunkeutumisloukka: NLGI-2;
- Paksuntimen tyyppi: polyurea;
- Suosittelut käyttölämpötila: -40°C-180°C
- Edellä mainittujen lisäksi rasvan on myös oltava leikkaukestävä poikkeuksellisilla paineominaisuuksilla, erinomaisilla kulumisenestominaisuuksilla ja täydellisellä hapettumisenkestolla.

Noudata rasvan täytössä seuraavia vaiheita:

- Kytke työkalu pois päältä ja poista akku.
- Käytä kuusiokoloavainta (ei mukana) ja löysää sekä irrota 3 lyhyttä ruuvia (0-1) moottorin kannesta (0-2) ja irrota sitten moottorin kansi (kuva 0).

0-1	Lyhyt ruuvi	0-5	Aluslevy
0-2	Moottorin kansi	0-6	Vaihteistokotelo
0-3	Lyhyt ruuvi	0-7	Kiertopyörästä
0-4	Moottori		

- Löysää 3 lyhyttä ruuvia (0-3) moottorista ja irrota moottori ja aluslevy.
- Ruiskuta rasvapistoilla (ei mukana) 5 g rasvaa 3 ylempään kiertopyörän (0-7) keskelle vaihteistokoteloon.

**HUOMAA:** Varmista, että muiden vaihteistokotelon lähellä olevien osien asennot pysyvät muuttumattomina ruiskutuksen aikana.

- Asenna aluslevy ja moottori takaisin kiristämällä 3 lyhyttä ruuvia (0-3).
- Asenna moottorin kansi takaisin kiristämällä 3 lyhyttä ruuvia (0-1).
- Käynnistä työkalu ja tarkista toimiiko se normaalisti. Jos ei, kokoa uudelleen noudattaen edellä kuvattuja vaiheita.

**HUOMAA:** Kun olet poistanut moottorin kannen, puhdista sahanpuru moottorin ympäriltä.

### Ympäristönsuojelu



Älä hävitä sähkölaitteita, akkulatoria tai akkuja / ladattavia paristoja kotitalousjätteen seassa!

## VIANMÄÄRITYS

ONGELMA	SYY	RATKAISU
Pensasleikkuri ei toimi.	<ul style="list-style-type: none"> <li>■ Leikkurin ja akun välillä ei ole sähköliitintää.</li> <li>■ Akku on tyhjä.</li> <li>■ Akun tai työkalun ylikuumentumissuoja on lauennut</li> <li>■ Terä on juuttunut kiinni.</li> </ul>	<ul style="list-style-type: none"> <li>■ Poista akku, tarkista kosketuskohdat ja asenna akku takaisin.</li> <li>■ Lataa akku.</li> <li>■ Anna akun tai akullisen varren jäähtyä, kunnes sen lämpötila on alle 67 °C.</li> <li>■ Irrota akku työkalusta. Irrota tukos varovasti, aseta sitten akku takaisin ja käynnistä työkalu uudelleen.</li> </ul>
Liiallinen tärinä tai melu.	<ul style="list-style-type: none"> <li>■ Kuivat tai syöpyneet terät.</li> <li>■ Terät ovat taipuneet tai terätuki on taipunut.</li> <li>■ Taipuneet tai vaurioituneet hampaat.</li> <li>■ Löystyneet terän pultit.</li> </ul>	<ul style="list-style-type: none"> <li>■ Voitele terät.</li> <li>■ Vaihda uusi terä tai tuki noudattaen tämän käyttöoppaan kohtaa "TERÄN VAIHTAMINEN" tai ota yhteyttä EGO-huoltoliikkeeseen.</li> <li>■ Vaihda uusi terä noudattaen tämän käyttöoppaan kohtaa "TERÄN VAIHTAMINEN" tai ota yhteyttä EGO-huoltoliikkeeseen.</li> <li>■ Kiristä terän pultit. Käytä kuusiokoloavainta (ei mukana), kiristä kääntämällä pulttia myötäpäivään.</li> </ul>

FI

## TAKUU

### EGON TAKUUEHDOT

Verkkosivustolta [egopowerplus.com](http://egopowerplus.com) löydät EGO:n takuuehtojen täydelliset ehdot kokonaisuudessaan.

## LES GJENNOM ALLE INSTRUKSJONENE!



### LES BRUKERHÅNDBOKEN

**⚠ Restrisiko!** Personer med elektroniske enheter, for eksempel pacemakere, må rådføre seg med lege før de bruker dette produktet. Drift av elektrisk utstyr i umiddelbar nærhet av en pacemaker kan føre til at pacemakeren forstyrres eller svikter.

**⚠ ADVARSEL:** For å ivareta sikkerheten og påliteligheten må alle reparasjoner og utskiftinger utføres av en kvalifisert servicetekniker.

## SIKKERHETSSYMBOL

Formålet med sikkerhetssymbolene er å rette oppmerksomheten din mot mulige faresituasjoner. Sikkerhetssymbolene og forklaringene krever din fulle oppmerksomhet og forståelse. Symbolvarslene eliminerer ikke farer i seg selv. Instruksjonene og advarslene i dem kan ikke erstatte passende ulykkesforebyggende tiltak.

**⚠ ADVARSEL:** Sørg for at du har lest og forstått alle sikkerhetsanvisningene i denne bruksanvisningen, inkludert alle varselssymboler som «FARE», «ADVARSEL» og «FORSIKTIG» før du bruker dette verktøyet. Hvis du ikke følger alle instruksjonene nedenfor kan det føre til elektrisk støt, brann og/eller alvorlig personskade.

## SYMBOLFORKLARINGER

**⚠ SIKKERHETSSYMBOL:** Indikerer FARE, ADVARSEL ELLER FORSIKTIGHET, kan brukes sammen med andre symboler eller piktogrammer.





**⚠ ADVARSEL:** Bruk av hvilke som helst elektroverktøy kan føre til at fremmedlegemer blir kastet mot øynene, noe som kan gi alvorlige øyeskader. Før du begynner å bruke elektroverktøyet, skal du alltid ta på vernebriller eller vernebriller med sidebeskyttelse, og en full ansiktsskjerm der det trengs. Vi anbefaler en sikkerhetsmaske med bred visjon til bruk over briller, eller standard vernebriller med sidebeskyttelse.

## SIKKERHETSINSTRUKSER

Denne siden viser og beskriver sikkerhetssymboler som kan være på produktet. Les, forstå og følg alle instruksjoner på enheten før du begynner montering og tar den i bruk.

	Sikkerhetsadvarsel	Angir potensiell fare for personskade.
	Les brukermanualen	For å redusere risikoen for skader må brukeren lese bruksanvisningen.
	Hold tilstrekkelig avstand til elektriske kraftledninger	Ikke bruk innen 15 meter fra elektriske luftledninger for å forhindre elektrisk støt. Kontakt med eller bruk i nærheten av kraftlinjer kan forårsake alvorlige skader eller dødelig elektrisk sjokk.
	Støy	Garantert lydeffektivnivå. Støy i omgivelsene er i henhold til EUs direktiv.
	CE	Dette produktet er i samsvar med gjeldende EF-direktiver.
	WEEE Elektrisk og elektronisk avfall	Elektrisk avfall skal ikke kastes sammen med husholdningsavfall. Innlever ved en godkjent gjenvinningsstasjon.
	Hold hender og føtter unna skjæreverktøyet	Du må aldri betjene elektroverktøyet bare med én hånd. Hvis du ikke har kontroll på verktøyet, kan det føre til alvorlige skader eller dødsulykke. For å redusere risikoen for skader må du holde hender og føtter unna skjæreverktøyet. Mens verktøyet er i bevegelse, må du unngå å ta på det eller komme borti det med andre deler av kroppen.

**NO**

	Bruk vernebriller og hodevern	Bruk alltid øyeskyttelse når du bruker dette produktet.
IPX5	IP-symbol	Beskyttelse mot inntrengning av vanngrad 5
V	Volt	Spenning
mm	Millimeter	Lengde eller størrelse
cm	Centimeter	Lengde eller størrelse
kg	Kilogram	Vekt
	Likestrøm	Type eller en karakteristikk av strømtype

NO

## ⚠ SIKKERHETSADVARSLER FOR HEKKTRIMMER

- **Hold alle deler av kroppen på avstand fra skjærebladet. Ikke fjern avkuttet vegetasjon eller hold i det som skal klippes mens skjærebladene er i bevegelse. Pass på at bryteren er av når du fjerner materiale som har satt seg fast.** Et øyeblikks uoppmerksomhet ved bruk av hekktrimmer kan føre til alvorlige personskader.
- **Bær hekktrimmeren i håndtaket når skjærebladet har stanset.** Når du frakter eller setter bort hekktrimmeren til oppbevaring, skal du alltid sette dekslet på verktøyet. Hvis du håndterer hekktrimmeren på riktig måte, vil dette redusere risikoen for personskade.
- **Når du frakter eller setter bort hekktrimmeren til oppbevaring, skal du alltid sette på bladdekslet.** Hvis du bærer hekktrimmeren på riktig måte, minskes faren for at det oppstår personskader fra skjærebladene.
- **Når du fjerner fastkjørt materiale eller utfører service på enheten, må du sørge for at alle strømbrytere er slått av og at batteripakken er fjernet eller frakoblet.** Uforvarende oppstart av hekktrimmeren når du fjerner objekter som har satt seg fast, eller utfører vedlikehold på verktøyet, kan gi alvorlige personskader.
- **Når du fjerner fastkjørt materiale eller utfører service på enheten, må du forsikre deg om at alle strømbrytere er av og at låsen er i låst posisjon.** Uforvarende oppstart av hekktrimmeren når du fjerner objekter som har satt seg fast, eller utfører vedlikehold på verktøyet, kan gi alvorlige personskader.

- **Hold bare på hekksaksen ved isolerte gripeflater, fordi bladet kan komme i kontakt med skjulte ledninger.** Blader som kommer i kontakt med en "strømførende" ledning kan gjøre at utsatte metalldele av hekksaksen "strømmer" og kan gi føreren et elektrisk støt.
- **Hold alle strømledninger og kabler borte fra skjærområdet.** Strømledninger og -kabler kan være skjult i hekker og buskas og kan dermed bli kuttet over ved et uhell.
- **Ikke bruk hekksaksen i dårlige værforhold, spesielt når det er fare for lyn.** Da reduserer du risikoen for å bli rammet av lyn.

## ⚠ YTTERLIGERE SIKKERHETSINSTRUKSJONER FOR HEKKTRIMMERE MED UTVIDET RIKTIGHET

- **For å redusere risikoen for elektro sjokk, må du aldri bruke hekksaks med utvidet rekkevidde i nærheten av elektriske ledninger.** Kontakt med eller bruk i nærheten av kraftlinjer kan forårsake alvorlige skader eller dødelig elektrisk sjokk.
- **Bruk alltid to hender når du bruker hekksaks med utvidet rekkevidde.** Hold hekksaksen med utvidet rekkevidde med begge hender for å unngå tap av kontroll.
- **Bruk alltid hodebeskyttelse når du bruker hekksaksen med lang rekkevidde over hodet.** Fallende rusk kan føre til alvorlig personskade.
- **Kontroller hekken for fremmedlegemer før bruk, f.eks. metallgjerder og skjulte ledninger.**
- **Hold bare i verktøyet ved isolerte gripeflater.**
- Hekksaksen er ment å brukes av føreren på bakkenivå og ikke på stiger eller annen ustabil støtte
- **Bruk bare med batteripakker og ladere som er oppført i figur A2**

## TA VARE PÅ DISSE INSTRUKSJONENE

### YTTERLIGERE SPESIFIKKE SIKKERHETSREGLER KAN FINNES I DEN GJELDENE VEDLEGGETS BRUKSANVISNING.

## SPESIFIKASJONER

Lengde på skjæreblad	510 mm
Klippekapasitet	26 mm
Anbefalt driftstemperatur	0°C-40°C
Anbefalt lagringstemperatur	-20°C-70°C
Vekt	2.67 kg
Målt lydeffektnivå $L_{WA}$	93.75 dB(A) K=1.7 dB(A)
Lydtrykknivå ved brukerens øre $L_{PA}$	83 dB(A) K=3 dB(A)



Garantert lydeffektivnivå $L_{WA}$ (målt i henhold til 2000/14/EF)		95 dB(A)
Vibrasjonsnivå $a_{h,v}$	Front handle	1.3 m/s <sup>2</sup> K=1.5 m/s <sup>2</sup>
	Rear handle	1.5 m/s <sup>2</sup> K=1.5 m/s <sup>2</sup>

- Ovennevnte parametere er testet og målt utstyrt med kraftstang PPX1000;
- Erklært total vibrasjonsverdi er målt i overensstemmelse med en standard testmetode og kan brukes til å sammenligne ett verktøy med et annet;
- Erklært total vibrasjonsverdi kan også brukes i en foreløpig vurdering av eksponering.

**MERK:** Vibrasjoner under faktisk bruk av elektroverktøyet kan variere fra den opplyste verdien der verktøyet brukes; For å beskytte brukeren skal det alltid benyttes hansker og hørselsvern under faktiske bruksforhold.

## BESKRIVELSE

### BLI KJENT MED HEKKTRIMMERTILBEHØR (Fig. A1)

1. Bakre foring
2. Fremre foring
3. Motorhus
4. Bladslire
5. Knivblad

## PAKKELISTE (A2)

## MONTERING

**⚠ ADVARSEL:** Hvis noen av delene er skadet eller mangler, må du ikke bruke dette produktet før delene er byttet. Bruk av dette produktet dersom deler er skadet eller mangler, kan føre til alvorlige personskader.

**⚠ ADVARSEL:** Batteripakken skal alltid tas ut når du monterer deler, gjør justeringer, rengjør produktet, eller når produktet ikke er i bruk.

### JUSTERING AV KLIPPEHODEVINKEL

Når hekksaksutstyret tas ut av pakken, er det brettet i oppbevaringsposisjon (fig. B). Leddvinkelen og den radiale rotasjonen til skjærehodet kan justeres uavhengig. Juster skjærehodet til en passende arbeidsstilling før bruk.

### Justering av leddvinkel

Det er seks arbeidsstillinger. Skjærbladets vinkel kan justeres fra -68 ° til 42 ° (fig. C).

1. Trekk den fremre foringen tilbake, og hold deretter motordekelet fast for å rotere skjærevinkelen til ønsket posisjon.

C-1	Fremre foring
C-2	Bakre foring

2. Når ønsket vinkel er nådd, skyv foringen fremover for å låse posisjonen til skjærehodet.

### Justering av radial rotasjon

Det er to vertikale skjærestillinger (fig. D). Den kan justeres til venstre eller høyre 90 °.

1. Trekk den bakre foringen tilbake, og hold deretter motordekelet fast for å rotere bladet til ønsket posisjon.
2. Når ønsket vinkel er nådd, skyv foringen fremover for å låse posisjonen til skjærehodet.

**⚠ ADVARSEL:** For å redusere risikoen for personskade, må du ta ut batteriet før du foretar justeringer og foreta justeringer bare når knivene står still. Unngå å ta på bladene under justeringen.

**⚠ ADVARSEL:** Støpe legeringen i giraksen er varmt. Bør aldri overflaten av tannhullet i støpejernmetall uten å bruke PPE-hansker.

### KOBLE TIL / FJERNE HEKKTRIMMER-TILBEHØRET TIL TELESKOPISK STRØMPOL (fig. E)

Dette hekksaksutstyret er designet for bruk med EGO teleskopisk kraftstang PPX1000.

Se "INSTALLERE ET FESTE TIL TELESKOPISK STRØMPOLE" i teleskopkraftstangen PPX1000 bruksanvisning for tilkobling av hekksaks til kraftstangen.

Se "FJERNE FESTET FRA TELESKOPISK STRØMPOLE" i teleskopkraftstangen PPX1000 brukerhåndbok for å fjerne hekksaksen fra kraftstangen.

### MONTERE TUPPBESKYTTER (valgfritt)

1. Bruk en sekskantnøkkel (ikke inkludert) for å fjerne den korte bolten, den vanlige skiven, hylsen og mutteren på enden av skjærebildet. Lag skiven, hylsen og mutteren for montering igjen (fig. F).

F-1	Mutter	F-3	Vanlig vasker
F-2	Busk	F-4	Kort bolt

2. Juster tuppbeskytteren så den er på linje med forhøyningen på skjærebildet, og sett den på plass. Fest den med den nye lange bolten og mutteren, samt den lagrede skiven, bøssen og mutteren (fig. G).

**NO**

G-1	Mutter	G-4	Busk
G-2	Tuppbeskytter	G-5	Vanlig vasker
G-3	Mutter	G-6	Lang bolt

## OPERASJON

**⚠ FARE:** Unngå å kappe nær kraftlinjer, elektriske ledninger eller andre el-kilder. Hvis skjærebladene setter seg fast på en hvilken som helst elektrisk ledning eller ledning, **IKKE RØR KNIVEN ELLER ALUMINIUMPOLEN! DE KAN BLI ELEKTRISKT TIL LIVE OG KAN VÆRE VELDIG FARLIG.** Fortsett å holde hekksaksutstyret i det isolerte håndtaket, eller legg det og bort fra deg på en sikker måte. Koble fra strømtilførselen til den skadde kabelen eller ledningen før du forsøker å frigjøre bladet fra kabelen eller ledningen. Kontakt med bladet, andre ledende deler av hekksaksen, eller strømførende elektriske ledninger eller ledninger vil føre til død ved elektrisk støt eller alvorlig personskade.

NO

**⚠ ADVARSEL:** Ikke føl deg så trygg med dette verktøyet at du blir skjodesløs. Husk at et uforsiktig tiendedel av et sekund er nok til å forårsake alvorlige skader.

**⚠ ADVARSEL:** Bruk alltid vernebriller. Dersom dette ikke blir gjort, kan du få fremmedlegemer inn i øynene eller pådra deg andre alvorlige skader.

**⚠ ADVARSEL:** Ikke bruk tilbehør eller tilbehør som ikke anbefales av produsenten av EGO™. Bruk av tilbehør eller deler som ikke anbefales, kan medføre alvorlige personskader.

### BRUKSOMRÅDER

Du kan bruke dette produktet til å trimme hekker, busker, skrubbe, busker og lignende materiale med en grendiameter på mindre enn 026 mm.

### BRUK HEKKEKTRIMMEREN MED TELESKOPISK STRØMPOL

**⚠ ADVARSEL:** Kle deg riktig så du unngår risiko for skader når du bruker dette verktøyet. Ikke bruk løstsittende klær eller smykker. Bruk vernebriller og øre-/hørselsvern. Bruk solide og lange bukser, støvler og hansker. Ikke bruk korte bukser eller sandaler, og ikke gå barbert.

### FORBEREDELSE TIL KLIPPING:

1. Juster skjærehodet til ønsket arbeidsstilling.
2. Fjern knivkappen fra skjærehodet.

3. For sikker og bedre drift bør remmen legges over skulderen. Juster skulderremmen så du får en behagelig arbeidsstilling. Følg instruksjonene i avsnittet **“MONTERING AV SKULDERREMEN”** i brukerhåndboken for PPX1000 for å feste skulderstroppen på kraftstangen.

**⚠ ADVARSEL:** Skulderremmen er også en rask utløsermekanisme i farlige situasjoner. Når en nødssituasjon oppstår, ta apparatet av skulderen umiddelbart, uansett hvordan remmen er påsatt.

**⚠ ADVARSEL:** Bruk alltid to hender når du bruker hekksaks med utvidet rekkevidde. Hold hekksaksen med utvidet rekkevidde med begge hender for å unngå tap av kontroll. Følg instruksjonene i avsnittet **“HOLDE DEN TELESKOPISE STRØMPOLEN”** i brukerhåndboken for PPX1000

### ARBEIDSTEKNIKK

#### Horisontal skjæring (med skjærehode i en vinkel)

Skjær nær bakken fra stående stilling, f.eks. for trimming av lave busker.

Sving skjærehodet til høyre og venstre mens du beveger deg langs hekken - bruk begge sider av knivene og ikke hvil knivbladet på bakken (fig. H)

#### Horisontal skjæring (med rett skjærehode)

Hold skjærehodet i en vinkel på 0° mens du sakte hekker trimmeren horisontalt. Sving skjærehodet i en bue mot utsiden av hekken slik at borekaksene feies til bakken (fig. I).

**Anbefalinger:** Skjær hekker som ikke er mer enn brysthøyde i denne arbeidsstillingen.

#### Vertikal skjæring (skjærehode i en vinkel)

Skjæring uten å stå rett ved siden av hekken, f.eks. blomsterbed mellom operatør og hekk.

I denne skjæreposisjonen anbefales det å koble hekksaksen til skjærehodet i sidekuttposisjonen for bedre kontroll over hekksaksen.

Sving skjærehodet opp og ned i en bue mens du beveger deg langs hekken - bruk begge sider av skjærehodet (fig. J).

#### Vertikal skjæring (med rett skjærehode)

Gir ekstra lang rekkevidde uten at du trenger andre hjelpemidler. Sving skjærehodet opp og ned i en bue mens du beveger deg langs hekken - bruk begge sider av skjærehodet ((fig. K).

### Kutting over hodehøyde (med skjærehode i en vinkel)

Hold hekksaksen lodrett og sving den i en lysbue for å utnytte rekkevidden maksimalt (fig. L1 og L2). For spesielt høye hekker kan teleskopstangen kobles til andre hjelpemidler.

**⚠ ADVARSEL:** Det er slitsomt å arbeide med armene over hodet. For å redusere risikoen for ulykker bør du bare ha en slik arbeidsstilling i korte perioder om gangen. Still vinkelen på det justerbare skjærehodet på maksimum slik at verktøyet kan holdes i en lavere, mindre anstrengende stilling (med skulderstropp) mens du fremdeles gir tilstrekkelig rekkevidde.

### SLIK STARTER/STOPPER DU VERKTØYET

Se **“START / STOPP AV TELESKOPISK STRØMPOLE”** i kraftstangen PPX1000 brukerhåndbok.

### VEDLIKEHOLD

**⚠ ADVARSEL:** Når verktøyet trenger service, må bare identiske reservedeler benyttes. Maskinen må etteres og vedlikeholdes regelmessig. For å sikre trygg og pålitelig bruk må alle reparasjoner utføres av en kvalifisert fagperson.

**⚠ ADVARSEL:** Før du etterser, rengjør eller vedlikeholder verktøyet, må du stoppe motoren, vente på at alle deler har stanset, og så ta ut batteripakken. Hvis du ikke følger disse instruksjonene, kan det resultere i alvorlig personskade eller skade på eiendeler.

**⚠ MERK:** Hver gang du skal bruke produktet, må du sjekke at det ikke er skadet eller mangler deler som skruer, muttre, bolter, hetter osv. Trekk godt til alle festeanordninger og hetter, og unngå å bruke produktet før du har fått byttet alle deler som mangler eller er skadet. Ta kontakt med kundeservice eller en kvalifisert servicetekniker.

### GENERELT VEDLIKEHOLD

Unngå bruk av løsemidler når plastdeler skal rengjøres. De fleste plasttyper kan ta skade av ulike typer løsemidler som er i salg, og kan dermed bli ødelagt. Bruk rene kluter til å fjerne smuss, støv, olje, fett osv.

### RENGJØRING AV HEKTRIMMERTILBEHØR

1. Stopp motoren og ta ut batteripakken.
2. Rengjør smuss og rusk fra hekksaksen med en fuktig klut med et mildt rengjøringsmiddel.l.

**MERK:** Ikke bruk sterke vaskemidler på plastdeksel eller håndtak. De kan bli skadet av enkelte aromatiske oljer som furu og sitron.

### LAGRING AV HEKTRIMMERTILBEHØR

1. Stopp motoren og ta batteripakken ut av teleskopstangen.
2. Fjern hekksaksens tilbehør fra teleskopstangen.
3. Rengjør alt fremmedlegeme fra festet til hekksaksen.
4. Oppbevar den på et sted som er utilgjengelig for barn.
5. Holdes vekk fra etsende midler, for eksempel hagekjemikalier og avisingsalter.

### BYTTING AV SKJÆREBLAD

**⚠ ADVARSEL:** Bruk alltid hansker når du håndterer bladet; disse komponentene er veldig skarpe og kan inneholde grader.

1. Slå av verktøyet og ta ut batteripakken.
2. Juster bladet i horisontal posisjon, og sørg for at knivenheten er i tråd med hekksaksen for enkel montering (fig. M).

M-1	Skruer 1# (korte skruer)	M-6	Foring
M-2	Bunndeksel	M-7	Skruer 2# (lange skruer)
M-3	Støtteplate 3#	M-8	Støtteplate 2#
M-4	Lenkespak	M-9	Bladmontering
M-5	Støtteplate 1#	M-10	Eksentrisk blokk

3. Bruk en sekskantnøkkel (ikke inkludert) for å løse de 6 skruene 1 # (korte skruene) i bunndekselet og fjern dem.
4. Fortsett å løse de 2 skruene 2 # (lange skruene) for å fjerne støtteplaten 1 # & 2 #, samt de 2 foringene. De to foringene er plassert separat inne i de to avrundede rektangelåpningene i knivenheten.
5. Fjern støtteplaten 3 #.
6. Fjern koblingsspaken forsiktig fra bladet.
7. Fjern knivenheten fra verktøyet og sørg for at den eksentriske blokkmonteringsposisjonen forblir uendret.
8. Juster den innvendige buen på den nye knivenheten med hullet inne i lenkehendelen for å installere den nye knivenheten på plass.
9. Sett de to foringene inn i det to avrundede rektangelet hver for seg.
10. Monter støtteplaten 1 # og monter deretter støtteplaten 2 #.

NO

- Hold de innvendige hullene i bladet, foringene og hullene i støtteplatene på linje med skruhullene i girhuset. Installer de to lange skrueene i de justerte hullene og stram dem ordentlig.
- Beveg det øvre bladet litt frem og tilbake for å kontrollere om bladet kan bevege seg fritt. Hvis ikke, sett sammen bladene til det øvre bladet kan bevege seg fritt.
- Installer koblingsspaken.
- Juster hullet på støtteplaten 3 # med buen på den eksentriske blokken for å installere støtteplaten på plass, og sørg for at platen er nøyaktig plassert i midten, parallelt med begge kanter.
- Monter bunndekselet på girhuset og fest det med 6 korte skruer.

### SMØRING AV KLINGEN (fig. N)

**NO**

For best mulig bruk og lengre levetid på kniven, smør hekksaksbladet med rustfri olje etter hver bruk. **IKKE FYLL HELE OLJEHULLET MED OLJEN.**

- Fjern oljeskrueen på girhuset med en sekskantnøkkel (ikke inkludert).

N-1 Oljeskrue

- Injiser 5 g fett gjennom smørehullet til girkassen.
- Stram til skruen når du er ferdig.

### SMØRING AV KJØREGIRET

For best mulig bruk og lengre levetid, smør festedrevet til hekksaks med et spesielt fett hver 100. driftstime.

Fettet skal oppfylle følgende krav:

- NLGI klassepenetrasjon: NLGI-2;
- Fortykkertype: Polyurea;
- Anbefalt driftstemperaturområde: -40 ° C til 180 ° C;
- Annet enn ovenfor, bør fettet også være skjærestabilt med eksepsjonelle trykkarakteristikker og utmerket antislitasjeegenskaper, og perfekt oksidasjonsstabilitet.

Følg trinnene nedenfor for å fylle på fett:

- Slå av verktøyet og ta ut batteripakken.
- Bruk en sekskantnøkkel (ikke inkludert) for å løsne og fjerne 3 korte skruer (O-1) på motordekselet (O-2), og ta deretter av motordekselet (fig. O).

O-1	Kort skrue	O-5	Vasker
O-2	Motordekselet	O-6	Girkasse
O-3	Kort skrue	O-7	Planetgir
O-4	Motor		

- Løsne de tre korte skrueene (O-3) på motoren og løsne deretter motoren og skiven.
- Bruk en fett pistol (ikke inkludert) for å injisere 5g fett i midten av de tre øvre planetgirene (O-7) i girhuset.

**MERK:** Sørg for at posisjonen til andre deler nær girhuset forblir uendret under injeksjonen.

- Sett sammen vaskemaskinen og motoren igjen ved å stramme de tre korte skrueene (O-3).
- Monter motordekselet igjen ved å stramme de tre korte skrueene (O-1).
- Start verktøyet for å sjekke om det kan fungere normalt. Hvis den ikke gjør det, må du montere ved å følge trinnene ovenfor

**MERK:** Når du har fjernet motordekselet, må du rengjøre sagfliset rundt motoren.

### Beskytt miljøet



Ikke kast elektrisk utstyr, batterilader og batterier / oppladbare batterier i husholdningsavfallet!

## FEILSØKING

PROBLEM	ÅRSAK	LØSNING
Hekksaksen virker ikke.	<ul style="list-style-type: none"> <li>■ Ingen elektrisk kontakt mellom kantklipperen og batteriet.</li> <li>■ Batteripakken er utladet.</li> <li>■ Batteripakken eller verktøyet beskytter over temperaturen</li> <li>■ Bladet har satt seg fast.</li> </ul>	<ul style="list-style-type: none"> <li>■ Ta ut batteriet, sjekk kontaktene og sett på igjen batteripakken.</li> <li>■ Lad opp batteripakken.</li> <li>■ La batteripakken eller strømslangen avkjøles til temperaturen faller under 67 ° C..</li> <li>■ Fjern batteripakken fra verktøyet. Fjern blokkeringen med varsomhet før du fester batteriet igjen og starter opp verktøyet.</li> </ul>
Mye vibrasjoner eller støy.	<ul style="list-style-type: none"> <li>■ Tørre eller rustne skjæreblad.</li> <li>■ Blad eller bladstøtte er bøyd.</li> <li>■ Tennene er bøyd eller skadet.</li> <li>■ Løse skruene til skjærebladene.</li> </ul>	<ul style="list-style-type: none"> <li>■ Smør bladene.</li> <li>■ Bytt ut med et nytt blad eller støtte ved å følge avsnittet "BYTTE AV KNIVEN" i denne håndboken, eller kontakt EGO servicesenter for utskifting.</li> <li>■ Bytt ut med et nytt blad ved å følge avsnittet "BYTTE AV KNIVEN" i denne håndboken, eller kontakt EGO servicesenter for utskifting.</li> <li>■ Stram til skruene på bladet. Bruk en unbrakonøkkel (ikke inkludert) og vri boltene med klokken for å stramme.</li> </ul>

**NO**

## GARANTI

### EGOs GARANTIREGLER

Besøk nettsiden [egopowerplus.com](http://egopowerplus.com) for å se fullstendige vilkår og betingelser for EGO-garantireglene.

## ПРОЧИТАЙТЕ ВСЕ ИНСТРУКЦИИ!



**ПРОЧИТАЙТЕ РУКОВОДСТВО ПОЛЬЗОВАТЕЛЯ**

**⚠ Остаточный риск!** Если вы используете такие электронные устройства, как кардиостимулятор, перед эксплуатацией данного устройства проконсультируйтесь с врачом. Использование электрооборудования в непосредственной близости от кардиостимулятора может привести к образованию помех и повреждению кардиостимулятора.

**⚠ ПРЕДУПРЕЖДЕНИЕ.** Для обеспечения безопасной и надежной работы устройства его ремонт и замену частей должен выполнять квалифицированный специалист.

RU

## СИМВОЛЫ БЕЗОПАСНОСТИ

Символы безопасности предназначены для привлечения внимания к возможным рискам. Символы безопасности, а также пояснения к ним, требуют особого внимания и понимания. Предупреждения по технике безопасности сами по себе не устраняют опасность. Инструкции и предупреждения не заменяют соответствующие меры по предотвращению несчастных случаев.

**⚠ ПРЕДУПРЕЖДЕНИЕ.** Перед использованием устройства внимательно прочитайте все инструкции в данном руководстве пользователя и ознакомьтесь с предупреждающими символами безопасности, такими как «ОПАСНОСТЬ», «ПРЕДУПРЕЖДЕНИЕ» и «ВНИМАНИЕ». Несоблюдение всех приведенных ниже инструкций может привести к поражению электрическим током, возникновению пожара и (или) получению серьезных травм.

## УСЛОВНЫЕ ОБОЗНАЧЕНИЯ

**⚠ ПРЕДУПРЕЖДАЮЩИЙ СИМВОЛ.** Означает **ОПАСНОСТЬ, ПРЕДУПРЕЖДЕНИЕ, или ВНИМАНИЕ** и может использоваться с другими символами или изображениями.



**⚠ ПРЕДУПРЕЖДЕНИЕ.** В результате работы электроинструмента в глаза могут попасть посторонние предметы, что приведет к серьезному повреждению глаз. Перед началом использования электроинструмента всегда надевайте защитную маску или защитные очки с

боковыми щитками и полнопрофильную защитную маску (при необходимости). Поверх очков или стандартных защитных очков рекомендуется надевать безопасную маску с широким обзором.

## ИНСТРУКЦИЯ ПО ТЕХНИКЕ БЕЗОПАСНОСТИ

Далее приведено изображение и описание символов безопасности, которые могут присутствовать на данном устройстве. Перед сборкой или использованием внимательно прочитайте все инструкции, приведенные на устройстве, и соблюдайте их.

	Предупреждение об опасности	Указывает на потенциальную опасность получения травмы.
	Прочитайте руководство пользователя	Прочитайте руководство по эксплуатации, чтобы уменьшить риск получения травм.
	Сохраняйте безопасную дистанцию от линий электропередач.	Во избежание риска поражения электрическим током работайте на расстоянии не менее 15 м от линий электропередач. Контакт с линиями электропередач или использование устройства рядом с ними может привести к серьезной травме или смертельному поражению электрическим током.
	Шум	Гарантированный уровень звуковой мощности Уровень шума в окружающей среде в соответствии с директивой ЕС.
	CE	Соответствует основным требованиям стандартов безопасности Европейских директив.

	<p>WEEE (утилизация электрического и электронного оборудования)</p>	<p>Неисправные электрические устройства нельзя выбрасывать вместе с бытовым мусором. Сдавайте их в авторизованные пункты сбора и утилизации.</p>
	<p>Всегда держите руки и ноги подальше от режущего инструмента.</p>	<p>Никогда не пытайтесь работать с инструментом одной рукой. Потеря контроля над инструментом может привести к получению тяжелых или смертельных травм. Чтобы снизить риск получения травм от порезов, держите руки и ноги подальше от режущего инструмента. Никогда не прикасайтесь к движущемуся режущему инструменту руками и любыми другими частями тела.</p>
	<p>Используйте защиту для глаз и головы.</p>	<p>При использовании устройства всегда надевайте средства защиты глаз и головы.</p>
<p>IPX5</p>	<p>Класс защиты IP</p>	<p>Защита от воздействия воды 5 степени</p>
<p>V</p>	<p>Вольт</p>	<p>Напряжение</p>
<p>mm</p>	<p>Миллиметр</p>	<p>Длина или размер</p>
<p>cm</p>	<p>Сантиметр</p>	<p>Длина или размер</p>

<p>kg</p>	<p>Килограмм</p>	<p>Масса</p>
	<p>Постоянный ток</p>	<p>Тип или характеристика тока</p>

### **⚠ ПРЕДОСТЕРЕЖЕНИЯ ОБ ОПАСНОСТИ ПРИ ИСПОЛЬЗОВАНИИ КУСТОРЕЗА**

- Следите за тем, чтобы части тела находились на расстоянии от режущего элемента. Не убирайте срезанные части и не держите обрезаемые части во время вращения режущего элемента. Перед очисткой от застрявших материалов убедитесь, что устройство выключено. Даже кратковременная невнимательность при использовании устройства может привести к серьезным травмам.
- Во время переноски кусторез необходимо держать за рукоятку. Режущий элемент не должен вращаться. Во время транспортировки или хранения режущий элемент должен быть закрыт чехлом. Надлежащее использование кустореза снижает риск получения травм в результате контакта с режущим элементом.
- Во время транспортировки или хранения устройства режущий элемент должен быть закрыт чехлом. Надлежащее использование кустореза снижает риск получения травм в результате контакта с режущими элементами.
- При извлечении застрявшего материала и ремонте устройства убедитесь, что все выключатели питания находятся в выключенном положении, а аккумулятор извлечен или отсоединен. Случайная активация кустореза при извлечении застрявшего материала или ремонте может привести к серьезным травмам.
- При извлечении застрявшего материала и ремонте устройства убедитесь, что все выключатели питания находятся в выключенном положении, а кнопка защитной блокировки заблокирована. Случайная активация кустореза при извлечении застрявшего материала или ремонте может привести к серьезным травмам.
- Держите кусторез только за поверхности с защитным покрытием, так как режущий элемент может коснуться скрытой электропроводки. Касание режущим элементом проводки под напряжением может передать напряжение на металлические части электроинструмента и привести к поражению оператора электрическим током.

**RU**

- Держите все кабели питания подальше от рабочей зоны. Во время использования кабель может затеряться в кустах и случайно попасть под режущий элемент.
- Не используйте кусторез при плохих погодных условиях, особенно в грозу. Это позволит снизить риск удара молнией.

## **⚠ ДОПОЛНИТЕЛЬНЫЕ ИНСТРУКЦИИ ПО ТЕХНИКЕ БЕЗОПАСНОСТИ ПРИ ИСПОЛЬЗОВАНИИ КУСТОРЕЗА С УВЕЛИЧЕННОЙ ДОСЯГАЕМОСТЬЮ**

- Для снижения риска поражения электрическим током никогда не используйте кусторез с увеличенной досягаемостью рядом с линиями электропередач. Контакт с линиями электропередач или использование устройства рядом с ними может привести к серьезной травме или смертельному поражению электрическим током.
- Всегда управляйте устройством обеими руками. Во избежание потери контроля держите кусторез с увеличенной досягаемостью двумя руками.
- При использовании устройства выше уровня головы всегда используйте защитный головной убор. Падение мусора может привести к получению серьезных травм.
- Перед работой проверьте живую изгородь на наличие посторонних объектов (например, проволочных ограждений и скрытой проводки).
- Держите электроинструмент только за изолированные поверхности.
- Кусторез предназначен для использования на уровне земли, а не на лестницах или других неустойчивых опорах.
- Используйте только аккумуляторы и зарядные устройства, указанные на Рис. А2.

**СОХРАНИТЕ НАСТОЯЩУЮ ИНСТРУКЦИЮ ДОПОЛНИТЕЛЬНЫЕ СПЕЦИАЛЬНЫЕ ПРАВИЛА ТЕХНИКИ БЕЗОПАСНОСТИ МОЖНО НАЙТИ В ИНСТРУКЦИЯХ ПО ЭКСПЛУАТАЦИИ ПРИМЕНЯЕМЫХ ИНСТРУМЕНТОВ**

## **ТЕХНИЧЕСКИЕ ХАРАКТЕРИСТИКИ**

Длина режущего элемента	510 mm
Производительность резания	26 mm
Рекомендуемая рабочая температура	0°C-40°C

Рекомендуемая температура хранения	-20°C-70°C	
Масса	2.67 kg	
Измеренный уровень звуковой мощности, $L_{WA}$	93.75 dB(A) K=1.7 dB(A)	
Уровень звукового давления на уши оператора, $L_{PA}$	83 dB(A) K=3 dB(A)	
Гарантированный уровень звуковой мощности $L_{WA}$ (измерен в соответствии с 2000/14/EC)	95 dB(A)	
Значение вибрации $a_h$	Передняя рукоятка	1.3 m/s <sup>2</sup> K=1.5 m/s <sup>2</sup>
	Задняя рукоятка	1.5 m/s <sup>2</sup> K=1.5 m/s <sup>2</sup>

- Вышеуказанные параметры протестированы и измерены при использовании с приводным блоком PPX1000.
- Указанное общее значение вибрации было определено с помощью стандартного теста и может быть использовано для сравнения разных инструментов.
- Указанное общее значение вибрации также может использоваться для предварительной оценки уровня воздействия.

**ПРИМЕЧАНИЕ.** Реальное вибрационное воздействие электроинструмента может отличаться от указанного в зависимости от способа использования. В целях безопасности оператор должен надевать перчатки и средства защиты органов слуха во время использования устройства.

## **ОПИСАНИЕ**

### **ЧАСТИ НАСАДКИ КУСТОРЕЗА (Рис. А1)**

1. Задняя втулка
2. Передняя втулка
3. Корпус двигателя
4. Кожух режущего элемента
5. Режущий элемент

### **КОМПЛЕКТ ПОСТАВКИ (А2)**

## **СБОРКА**

**⚠ ПРЕДУПРЕЖДЕНИЕ.** Если какие-либо части повреждены или отсутствуют, не используйте устройство, пока они не будут установлены. Использование устройства в случае повреждения



или отсутствия частей может привести к получению серьезной травмы.

**⚠ ПРЕДУПРЕЖДЕНИЕ.** Перед сборкой, регулировкой, очисткой, а также когда устройство не используется, всегда извлекайте из него аккумулятор.

### РЕГУЛИРОВКА УГЛА РЕЖУЩЕЙ ГОЛОВКИ

При извлечении насадки кустореза из упаковки она сложена в положение для хранения (Рис. В). Угол сочленения и радиальное вращение режущей головки могут регулироваться независимо друг от друга. Перед началом работы установите режущую головку в подходящее рабочее положение.

#### Регулировка угла сочленения

Предусмотрено шесть рабочих положений. Угол режущего элемента регулируется в диапазоне от  $-68^\circ$  до  $42^\circ$  (Рис. С).

1. Оттяните переднюю втулку назад, затем крепко удерживайте крышку двигателя и установите нужный угол.

C-1	Передняя втулка
C-2	Задняя втулка

2. Как только желаемый угол будет достигнут, сдвиньте втулку вперед, чтобы зафиксировать положение режущей головки.

#### Настройка радиального вращения

Предусмотрено два вертикальных положения режущего элемента (Рис. D). Его можно повернуть влево или вправо на  $90^\circ$ .

1. Оттяните заднюю втулку назад, затем крепко удерживайте крышку двигателя и поверните режущий элемент в нужное положение.
2. Как только желаемый угол будет достигнут, сдвиньте втулку вперед, чтобы зафиксировать положение режущей головки.

**⚠ ПРЕДУПРЕЖДЕНИЕ.** Чтобы снизить риск получения травмы, перед выполнением регулировки извлеките аккумулятор и выполняйте регулировку только при неподвижных лезвиях. Никогда не прикасайтесь к режущим элементам во время регулировки.

**⚠ ПРЕДУПРЕЖДЕНИЕ.** Корпус редуктора выполнен из литого сплава и нагревается во время работы. Никогда не прикасайтесь к поверхности корпуса редуктора из литого сплава без защитных перчаток.

### УСТАНОВКА НАСАДКИ КУСТОРЕЗА НА ТЕЛЕСКОПИЧЕСКИЙ ПРИВОДНОЙ БЛОК И СНЯТИЕ С НЕГО (Рис. Е)

Эта насадка кустореза предназначена для использования с телескопическим приводным блоком EGO PPX1000.

Инструкции по установке насадки кустореза на телескопический приводной блок см. в разделе «УСТАНОВКА НАСАДКИ НА ТЕЛЕСКОПИЧЕСКИЙ ПРИВОДНОЙ БЛОК» руководства оператора приводного блока PPX1000.

Инструкции по снятию насадки кустореза с телескопического приводного блока см. в разделе «СНЯТИЕ НАСАДКИ С ТЕЛЕСКОПИЧЕСКОГО ПРИВОДНОГО БЛОКА» руководства оператора приводного блока PPX1000.

### УСТАНОВКА ЗАЩИТЫ НАКОНЕЧНИКА (дополнительно)

1. С помощью шестигранного ключа (не входит в комплект) извлеките короткий болт, плоскую шайбу, вкладыш и гайку на конце режущего элемента. Сохраните плоскую шайбу, вкладыш и гайку для последующей сборки (Рис. F).

F-1	Гайка	F-3	Плоская шайба
F-2	Вкладыш	F-4	Короткий болт

2. Выровняйте защиту наконечника с выступом на режущем элементе и установите на место. Закрепите с помощью нового длинного болта и гайки, а также сохраненных шайбы, вкладыша и гайки (Рис. G).

G-1	Гайка	G-4	Вкладыш
G-2	Защита наконечника	G-5	Плоская шайба
G-3	Гайка	G-6	Длинный болт

## ЭКСПЛУАТАЦИЯ

**⚠ ОПАСНО!** Никогда не работайте с инструментом вблизи линий электропередач, электрических кабелей или других источников электричества. Если в режущие элементы попал электропровод, **НЕ ПРИКАСАЙТЕСЬ К РЕЖУЩИМ ЭЛЕМЕНТАМ И АЛЮМИНЕВОЙ ШТАНГЕ! ОНИ МОГУТ БЫТЬ ПОД НАПРЯЖЕНИЕМ И ОЧЕНЬ ОПАСНЫ.** Продолжайте удерживать насадку кустореза за изолированную рукоятку или отложите в сторону безопасным способом. Прежде чем удалить застрявший в режущем элементе провод, отключите поврежденный провод от электросети. Контакт режущего элемента с другими проводящими ток частями насадки кустореза или электрическими кабелями и проводами может привести к смерти от электрошока или серьезным травмам.

**⚠ ПРЕДУПРЕЖДЕНИЕ.** Не допускайте небрежности и беспечности при работе с устройством. Помните, что потери бдительности на долю секунды достаточно для получения серьезной травмы.

**⚠ ПРЕДУПРЕЖДЕНИЕ.** Всегда используйте защитные средства для глаз. В противном случае выбрасываемые предметы могут попасть в глаза, что приведет к получению серьезной травмы.

**⚠ ПРЕДУПРЕЖДЕНИЕ.** Не используйте насадки или дополнительные приспособления, не рекомендованные производителем устройства EGO™. Использование нерекондованных насадок и дополнительных приспособлений может привести к серьезным травмам.

## ПРИМЕНЕНИЕ

Инструмент можно использовать для обрезки живой изгороди, кустарника, поросли и аналогичных материалов диаметром не более 26 мм.

## ИСПОЛЬЗОВАНИЕ КУСТОРЕЗА С ТЕЛЕСКОПИЧЕСКИМ ПРИВОДНЫМ БЛОКОМ

**⚠ ПРЕДУПРЕЖДЕНИЕ.** Одевайтесь надлежащим образом, чтобы снизить риск получения травм при использовании данного инструмента. Не надевайте свободную одежду и украшения. Используйте средства защиты органов зрения и слуха. Надевайте плотные длинные брюки, прочную обувь и перчатки. Не надевайте шорты, сандалии и не работайте босиком.

## ПОДГОТОВКА К ОБРЕЗКЕ

1. Выберите для режущей головки подходящее рабочее положение.
2. Снимите чехол с режущего элемента.
3. Для более безопасной и удобной работы используйте наплечный ремень. Отрегулируйте наплечный ремень до удобного положения. Чтобы прикрепить наплечный ремень к приводному блоку, следуйте инструкциям в разделе «УСТАНОВКА НАПЛЕЧНОГО РЕМНЯ» руководства оператора приводного блока PPX1000.

**⚠ ПРЕДУПРЕЖДЕНИЕ.** Наплечный ремень также является быстроразъемным механизмом, использующимся в опасных ситуациях. В случае возникновения чрезвычайной ситуации немедленно снимите его с плеча любым способом.

**⚠ ПРЕДУПРЕЖДЕНИЕ.** Всегда управляйте устройством обеими руками. Во избежание потери контроля держите кусторез с увеличенной досягаемостью двумя руками. Следуйте инструкциям в разделе «ОБРАЩЕНИЕ С ТЕЛЕСКОПИЧЕСКИМ ПРИВОДНЫМ БЛОКОМ» руководства оператора приводного блока PPX1000.

## ПРИЕМЫ РАБОТЫ

### Горизонтальная обрезка (режущая головка расположена под углом)

Выполняйте обрезку близко к земле стоя на месте (например, для обрезки низких кустов).

Перемещайте режущую головку вправо и влево по мере продвижения вдоль изгороди. Используйте обе стороны режущего элемента и не касайтесь поверхности земли (Рис. Н).

### Горизонтальная обрезка (режущая головка расположена прямо)

Удерживайте режущую головку под углом 0° и медленно перемещайте устройство горизонтально. Раскачивайте режущую головку дугообразными движениями от середины куста к краям, чтобы обрезки падали на землю (Рис. И).

**Рекомендация.** В этом рабочем положении обрезайте изгородь, расположенные не выше уровня груди.

### Вертикальная обрезка (режущая головка расположена под углом)

При работе не располагайтесь непосредственно рядом с изгородью. Например, между оператором и изгородью должна находиться клумба.

В таком положении для лучшего контроля над инструментом рекомендуется подсоединить кусторез к приводному блоку в положении для боковой резки.

Перемещайте режущую головку вверх и вниз по мере продвижения вдоль изгороди. Используйте обе стороны режущего элемента (Рис. J).

### Вертикальная обрезка (режущая головка расположена прямо)

В этом случае достигается максимальная длина без использования дополнительных приспособлений. Перемещайте режущую головку вверх и вниз по мере продвижения вдоль изгороди. Используйте обе стороны режущего элемента (Рис. K).

### Верхняя обрезка (режущая головка расположена под углом).

Удерживайте инструмент вертикально и перемещайте по дуге, чтобы максимально использовать его длину (Рис. L1 и L2). Если изгородь очень высокая, потребуется использовать подходящую удлинительную штангу.

**⚠ ПРЕДУПРЕЖДЕНИЕ.** Любое рабочее положение выше уровня головы является утомительным. Чтобы свести к минимуму риск несчастных случаев, работайте в таком положении только в течение коротких промежутков времени. Установите максимальный угол регулируемого режущей головки, чтобы инструмент можно было удерживать в более низком и удобном положении (с наплечным ремнем) и при этом обеспечить необходимую эффективность.

### ВКЛЮЧЕНИЕ И ВЫКЛЮЧЕНИЕ ИНСТРУМЕНТА

См. раздел «ВКЛЮЧЕНИЕ И ВЫКЛЮЧЕНИЕ ТЕЛЕСКОПИЧЕСКОГО ПРИВОДНОГО БЛОКА» в руководстве пользователя приводного блока PPX1000.

## ОБСЛУЖИВАНИЕ

**⚠ ПРЕДУПРЕЖДЕНИЕ.** При ремонте используйте только идентичные запасные части. Регулярно проверяйте устройство и выполняйте его обслуживание. Для обеспечения безопасности и надежности устройства его ремонт должен выполнять квалифицированный специалист.

**⚠ ПРЕДУПРЕЖДЕНИЕ.** Прежде чем выполнять проверку, очистку или обслуживание устройства, выключите двигатель, дождитесь, пока все движущиеся детали полностью остановятся, а затем извлеките аккумулятор. Несоблюдение данных инструкций может привести к серьезным травмам или материальному ущербу.

**⚠ ПРИМЕЧАНИЕ.** Перед каждым использованием полностью проверяйте устройство на наличие поврежденных, отсутствующих или плохо закрепленных частей, таких как винты, гайки, болты, заглушки и т. д. Надежно закрепите все фиксаторы и заглушки и не пользуйтесь устройством до тех пор, пока не будут заменены поврежденные или отсутствующие части. Обратитесь в сервисный центр или к квалифицированному специалисту.

### ОБЩЕЕ ОБСЛУЖИВАНИЕ

Не используйте растворители для очистки пластиковых частей. Большинство пластиковых частей

чувствительны к различным бытовым растворителям и могут быть повреждены. Для очистки от грязи, пыли, масла, смазки и т. п. используйте чистую ткань.

### ОЧИСТКА НАСАДКИ КУСТОРЕЗА

1. Остановите двигатель и извлеките аккумулятор.
2. Очистите насадку кустореза от грязи и мусора с помощью влажной ткани с мягким моющим средством.

**ПРИМЕЧАНИЕ.** Не используйте активные моющие средства для очистки пластикового корпуса или рукоятки. Они могут быть повреждены определенными ароматическими маслами, такими как хвойное и лимонное масла.

### ХРАНЕНИЕ НАСАДКИ КУСТОРЕЗА

1. Остановите двигатель и извлеките аккумулятор из телескопического приводного блока.
2. Снимите насадку кустореза с телескопического приводного блока.
3. Очистите насадку от всех инородных материалов.
4. Храните в недоступном для детей месте.
5. Храните вдали от источников коррозии, таких как садовые удобрения и техническая соль.

### ЗАМЕНА РЕЖУЩЕГО ЭЛЕМЕНТА

**⚠ ПРЕДУПРЕЖДЕНИЕ.** Обязательно надевайте перчатки при работе с режущим элементом, так как он очень острый и на нем могут быть зазубрины.

1. Выключите инструмент и извлеките аккумулятор.
2. Установите режущий элемент в горизонтальное положение и убедитесь, что он находится на одной линии с валом кустореза (Рис. M).

M-1	Винт №1 (короткий)	M-6	Подшипник
M-2	Нижняя крышка	M-7	Винт №2 (длинный)
M-3	Опорная пластина №3	M-8	Опорная пластина №2
M-4	Рычаг соединения	M-9	Режущий элемент в сборе
M-5	Опорная пластина №1	M-10	Блок эксцентрика

3. С помощью шестигранного ключа (не входит в комплект) выкрутите 6 винтов №1 (коротких) из нижней крышки и извлеките их.
4. Открутите 2 винта №2 (длинных), чтобы снять опорные пластины №1 и №2, а также 2 втулки. Две втулки расположены отдельно внутри двух прямоугольных пазов со скругленными углами в узле режущего элемента.
5. Снимите опорную пластину №3.

RU

- Осторожно снимите рычаг соединения с режущего элемента.
- Снимите режущий элемент в сборе с инструмента и убедитесь, что положение блока эксцентрика не изменилось.
- Чтобы установить новый режущий элемент, совместите его внутреннюю выпуклость с отверстием внутри рычага соединения.
- Вставьте две втулки в два закругленных прямоугольника по отдельности.
- Установите опорную пластину №1, затем опорную пластину №2.
- Следите, чтобы внутренние отверстия в режущем элементе, втулки и отверстия в опорных пластинах совпадали с отверстиями для винтов в корпусе редуктора. Вставьте 2 длинных винта в выровненные отверстия и надежно затяните их.
- Слегка переместите верхнее лезвие вперед и назад, чтобы проверить, свободно ли оно перемещается. Если нет, повторяйте сборку до тех пор, пока верхнее лезвие не будет свободно двигаться.
- Установите рычаг соединения.
- Совместите отверстие опорной пластины №3 с выпуклостью на блоке эксцентрика. Установите опорную пластину на место, убедившись, что пластина расположена точно в центре, параллельно обоим краям.
- Установите нижнюю крышку на корпус редуктора и закрепите ее 6 короткими винтами.

### СМАЗКА РЕЖУЩЕГО ЭЛЕМЕНТА (Рис. N)

Для обеспечения наилучшей производительности и длительного срока службы режущего элемента смазывайте его антикоррозионной смазкой после каждого использования. НЕ ПЕРЕПОЛНЯЙТЕ СМАЗОЧНОЕ ОТВЕРСТИЕ.

- С помощью шестигранного ключа (не входит в комплект) выкрутите винт из смазочного отверстия.

N-1	Винт, закрывающий отверстие для залива масла.
-----	---

- Введите 5 г смазки в смазочное отверстие в корпусе редуктора.
- Закрутите винт на место.

### СМАЗКА ПРИВОДНОЙ ШЕСТЕРНИ

Для максимальной эффективности и продления срока службы смазывайте приводную шестерню насадки кустореза специальной смазкой каждые 100 часов эксплуатации.

Смазка должна удовлетворять следующим требованиям.

- Степень проникаемости по NLGI: NLGI-2.
- Тип загустителя: полиуретан.
- Рекомендуемая рабочая температура: от -40 до 180 °С.
- Кроме того, смазка должна быть устойчивой к сдвигу, обладать исключительными характеристиками давления и отличными противоизносными свойствами, а также отличной устойчивостью к окислению.

Для смазки выполните следующие действия.

- Выключите инструмент и извлеките аккумулятор.
- С помощью шестигранного ключа (не входит в комплект) выкрутите 3 коротких винта (O-1) из крышки двигателя (O-2) и снимите ее (Рис. O).

O-1	Короткий винт	O-5	Шайба
O-2	Крышка двигателя	O-6	Корпус редуктора
O-3	Короткий винт	O-7	Планетарные шестерни
O-4	Двигатель		

- Открутите 3 коротких винта (O-3) на двигателе, а затем снимите двигатель и шайбу.
- С помощью смазочного шприца (не входит в комплект) введите 5 г смазки в центр трех верхних планетарных шестерен (O-7) в редукторе.

**ПРИМЕЧАНИЕ.** Следите за тем, чтобы во время смазки положение других деталей рядом с корпусом редуктора оставалось неизменным.

- Установите на место шайбу и двигатель и закрепите на место 3 коротких винта (O-3).
- Установите на место крышку двигателя и закрепите на место 3 коротких винта (O-1).
- Запустите инструмент и убедитесь, что он работает нормально. В противном случае выполните сборку повторно в соответствии с приведенными выше инструкциями.

**ПРИМЕЧАНИЕ.** После снятия крышки двигателя удалите опилки вокруг него.

### Защита окружающей среды



Не выбрасывайте электрооборудование, зарядные устройства, батареи и аккумуляторы вместе с бытовыми отходами!

## УСТРАНЕНИЕ НЕПОЛАДК

ПРОБЛЕМА	ПРИЧИНА	РЕШЕНИЕ
Кусторез не работает.	<ul style="list-style-type: none"> <li>■ Нет электрического контакта между триммером и аккумулятором.</li> <li>■ Аккумулятор разряжен.</li> <li>■ Сработала защита от перегрева аккумулятора или инструмента.</li> <li>■ Режущий элемент заклинило.</li> </ul>	<ul style="list-style-type: none"> <li>■ Извлеките аккумулятор, проверьте контакты и установите его снова.</li> <li>■ Зарядите аккумулятор.</li> <li>■ Дайте аккумулятору или приводному блоку остыть до температуры ниже 67 °C.</li> <li>■ Извлеките аккумулятор из устройства. Аккуратно устраните препятствие, переустановите аккумулятор и перезапустите инструмент.</li> </ul>
Сильная вибрация или шум.	<ul style="list-style-type: none"> <li>■ Сухие или ржавые режущие элементы.</li> <li>■ Режущий элемент или его основание погнуты.</li> <li>■ Согнутый или поврежденный зубец на режущем элементе.</li> <li>■ Открутите болты режущего элемента.</li> </ul>	<ul style="list-style-type: none"> <li>■ Смажьте режущий элемент.</li> <li>■ Замените режущий элемент или его основание в соответствии с инструкциями в разделе «ЗАМЕНА РЕЖУЩЕГО ЭЛЕМЕНТА» в данном руководстве или обратитесь для замены в сервисный центр EGO.</li> <li>■ Замените режущий элемент в соответствии с инструкциями в разделе «ЗАМЕНА РЕЖУЩЕГО ЭЛЕМЕНТА» в данном руководстве или обратитесь для замены в сервисный центр EGO.</li> <li>■ Закрутите болты режущего элемента. При помощи шестигранного ключа (не входит в комплект) закрутите болт по часовой стрелке, чтобы затянуть его.</li> </ul>

RU

## ГАРАНТИЯ

### ГАРАНТИЙНАЯ ПОЛИТИКА EGO

Посетите веб-сайт [egopowerplus.com](http://egopowerplus.com), чтобы ознакомиться со всеми условиями и сроками гарантийной политики EGO.

## PRZECZYTAJ WSZYSTKIE INSTRUKCJE!



### PRZECZYTAJ INSTRUKCJĘ OBSŁUGI

**⚠ Ryzyko resztkowe!** Osoby z urządzeniami elektronicznymi, takimi jak rozruszniki serca, powinny przed użyciem produktu skonsultować się ze swoim(i) lekarzem/-ami. Używanie urządzeń elektrycznych blisko rozrusznika serca może spowodować zakłócenia lub uszkodzić rozrusznik.

**⚠ OSTRZEŻENIE:** Aby zagwarantować bezpieczeństwo i niezawodność, wszystkie naprawy i wymiany części powinny być wykonywane przez wykwalifikowanych techników serwisu.

## SYMBOL BEZPIECZEŃSTWA

Celem symboli bezpieczeństwa jest zwrócenie uwagi użytkownika na możliwe zagrożenia. Symbole bezpieczeństwa i objaśnienia do nich zasługują na to, aby je uważnie przestudiować i zrozumieć. Symbole bezpieczeństwa nie eliminują same z siebie jakichkolwiek zagrożeń. Podawane w nich instrukcje i ostrzeżenia nie zastępują odpowiednich środków zapobiegania wypadkom.

**⚠ OSTRZEŻENIE:** Przed użyciem narzędzia należy koniecznie przeczytać ze zrozumieniem wszystkie instrukcje dotyczące bezpieczeństwa podane w podręczniku użytkownika, łącznie z wszystkimi symbolami ostrzegawczymi takimi jak „**NIEBEZPIECZEŃSTWO**”, „**OSTRZEŻENIE**” i „**UWAGA**”. Niestosowanie się do wszystkich podanych niżej instrukcji może doprowadzić do porażenia prądem, pożaru i/lub poważnych obrażeń.

## ZNACZENIE SYMBOLI

**⚠ SYMBOL OSTRZEGAWCZY:** Oznacza **NIEBEZPIECZEŃSTWO**, **OSTRZEŻENIE** lub **UWAGĘ**, może być używany razem z innymi symbolami lub piktogramami.



**⚠ OSTRZEŻENIE:** Praca elektronarzędziami może spowodować wyrzucenie ciał obcych w oczy użytkownika, co może doprowadzić do poważnych urazów oczu. Przed rozpoczęciem pracy elektronarzędziem należy zawsze założyć gogle ochronne lub okulary z osłonami bocznymi, a w stosownych przypadkach także pełną osłonę na twarz. Zalecamy nakładanie na zwykłe okulary maski zabezpieczającej o szerokim polu widzenia lub stosowanie standardowych okularów zabezpieczających z osłonami bocznymi.

## INSTRUKCJE DOTYCZĄCE BEZPIECZEŃSTWA

Na tej stronie pokazano i opisano symbole bezpieczeństwa, które mogą występować na produkcie. Przed podjęciem próby złożenia i użycia urządzenia należy przeczytać i zrozumieć wszystkie instrukcje dotyczące narzędzia oraz zastosować się do nich.

	Ostrzeżenie dotyczące bezpieczeństwa	Wskazuje na potencjalne ryzyko urazów ciała.
	Przeczytaj instrukcję operatora	Aby ograniczyć ryzyko urazów, użytkownik musi przeczytać instrukcję operatora.
	Zachowaj bezpieczną odległość od przewodów elektroenergetycznych	Aby nie dopuścić do porażenia prądem, nie należy używać narzędzia w odległości mniejszej niż 15 m od napowietrznych linii wysokiej napięcia. Dotknięcie lub używanie w pobliżu przewodów elektroenergetycznych może doprowadzić do poważnych urazów lub porażenia prądem ze skutkiem śmiertelnym.
	Hałas	Gwarantowany poziom mocy akustycznej. Emisja hałasu do środowiska zgodnie z dyrektywą Wspólnoty Europejskiej.
	CE	Ten produkt jest zgodny z obowiązującymi dyrektywami WE.
	WEEE	Zużytych wyrobów elektrycznych nie należy wyrzucać razem ze zwykłymi odpadami domowymi. Należy je oddać do autoryzowanego punktu recyklingu.

	Ręce i stopy trzymaj z dala od elementów tnących	Nigdy nie należy próbować używać elektronarzędzia jedną ręką. Utrata kontroli nad elektronarzędziem może spowodować poważne obrażenia lub śmierć. Aby ograniczyć ryzyko ran ciętych, ręce i stopy należy trzymać z dala od narzędzia tnącego. Nigdy nie należy mocować poruszającego się narzędzia tnącego do ręki lub innej części ciała.
	Noś okulary ochronne i kask ochronny	Podczas pracy urządzeniem należy zawsze nosić okulary ochronne i kask ochronny.
IPX5	Symbol IP	Zabezpieczenie przed dostawianiem się wody do środka, stopień 5
V	Wolt	Napięcie
mm	Milimetr	Długość lub rozmiar
cm	Centymetr	Długość lub rozmiar
kg	Kilogram	Ciężar
	Prąd stały	Rodzaj lub charakterystyka prądu

### OSTRZEŻENIA DOTYCZĄCE NOŻYC DO ŻYWOPLOTU

- Wszystkie części ciała należy trzymać z dala od ostrza tnącego. Gdy noże ostrza poruszają się, nie należy usuwać ani przytrzymywać przycinanych gałęzi. Zanim zaczniesz się usuwać zakleszczone gałęzie należy upewnić się, że narzędzie jest wyłączone. Chwila

nieuwagi w czasie posługiwania się nożycami do żywopłotu może spowodować poważne obrażenia.

- Nożyce do żywopłotów należy nosić za uchwyt. Ostrze tnące powinno być zatrzymane.** Na czas transportowania lub przechowywania nożyc do żywopłotu należy zawsze zakładać na ostrze osłonę. Właściwe obchodzenie się z nożycami do żywopłotu zmniejsza ryzyko obrażeń spowodowanych ostrzem tnącym.
- Na czas transportowania lub przechowywania nożyc do żywopłotu należy zawsze zakładać na ostrze osłonę.** Właściwe obchodzenie się z nożycami do żywopłotu zmniejsza ryzyko urazów ciała spowodowanych ostrzami.
- Podczas usuwania zaklinowanych materiałów lub serwisowania narzędzia należy pilnować, aby wszystkie przełączniki zasilania były ustawione w pozycji „wyłączone” i aby akumulator był wyjęty lub odłączony.** Niespodziewane włączenie nożyc do żywopłotu w czasie serwisowania lub usuwania zaklinowanych materiałów może doprowadzić do poważnych urazów.
- Podczas usuwania zaklinowanych materiałów lub serwisowania narzędzia należy pilnować, aby wszystkie przełączniki zasilania były ustawione w pozycji „wyłączone” i aby blokada urządzenia była ustawiona w pozycji „zablokowane”.** Niespodziewane włączenie nożyc do żywopłotu w czasie serwisowania lub usuwania zaklinowanych materiałów może doprowadzić do poważnych urazów.
- Nożyce do żywopłotu należy trzymać wyłącznie za izolowane uchwyty, ponieważ ostrze może natrafić na ukryte przewody.** Dotknięcie ostrzem przewodu pod napięciem może spowodować, że przez niez izolowane elementy metalowe nożyc do żywopłotu popłynie prąd, co grozi operatorowi porażeniem.
- Wszystkie przewody zasilające i kable należy trzymać z dala od strefy cięcia.** Przewody zasilające i kable mogą się schować w krzakach i żywopłotach i mogą zostać przypadkowo przecięte ostrzem.
- Nożyc do żywopłotu nie należy używać podczas niepogody, zwłaszcza zaś wtedy, gdy istnieje ryzyko uderzenia pioruna.** Zasada to ograniczyć ryzyko porażenia piorunem.

### DODATKOWE INSTRUKCJE DOTYCZĄCE BEZPIECZEŃSTWA UŻYWANIA NOŻYC DO ŻYWOPLOTU O DUŻYM ZASIĘGU DZIAŁANIA

- Aby zmniejszyć ryzyko porażenia prądem, nożyc do żywopłotu o dużym zasięgu działania nie należy nigdy używać w pobliżu jakichkolwiek przewodów elektroenergetycznych. Dotknięcie lub używanie w pobliżu przewodów elektroenergetycznych może doprowadzić do poważnych urazów lub porażenia prądem ze skutkiem śmiertelnym.

PL

- Podczas używania nożyc do żywopłotu o dużym zasięgu działania należy zawsze używać obu rąk. Aby nie dopuścić do utraty kontroli nad narzędziem, nożyce do żywopłotu o dużym zasięgu działania należy trzymać oburącz.
- Gdy nożyce do żywopłotu o dużym zasięgu działania są używane nad głową, należy zawsze nosić kask ochronny. Spadające ścinki mogą doprowadzić do poważnych urazów ciała.
- Przed przystąpieniem do pracy należy sprawdzić żywopłot pod kątem przeszkód takich jak np. metalowa siatka czy ukryte przewody.
- Elektronarzędzie należy trzymać wyłącznie za izolowane powierzchnie do chwytania.
- Nożyce do żywopłotu są przeznaczone do używania przez operatora stojącego na ziemi, a nie na drabinach lub jakichkolwiek innych niestabilnych konstrukcjach.
- Należy używać wyłącznie akumulatorów i ładowarek podanych na rys. A2.

PL

## NINIEJSZĄ INSTRUKCJĘ NALEŻY ZACHOWAĆ.

**DODATKOWE SPECJALNE ZASADY BEZPIECZEŃSTWA ZNALEŹĆ MOŻNA W INSTRUKCJACH DO POSZCZEGÓLNYCH KOŃCÓWEK.**

## SPECYFIKACJA

Długość ostrza	510 mm	
Grubość cięcia	26 mm	
Zalecana temperatura użytkowania	0°C-40°C	
Zalecana temperatura przechowywania	-20°C-70°C	
Ciężar	2.67 kg	
Zmierzony poziom mocy akustycznej $L_{WA}$	93.75 dB(A) K=1.7 dB(A)	
Poziom ciśnienia akustycznego na wysokości ucha operatora $L_{PA}$	83 dB(A) K=3 dB(A)	
Gwarantowany poziom mocy akustycznej $L_{WA}$ (zmierzony zgodnie z dyrektywą 2000/14/WE)	95 dB(A)	
Szacunkowe drgania $a_{H1}$ :	Uchwyt przedni	1.3 m/s <sup>2</sup> K=1.5 m/s <sup>2</sup>
	Uchwyt tylny	1.5 m/s <sup>2</sup> K=1.5 m/s <sup>2</sup>

- Powyższe parametry zostały przetestowane i zmierzone z drążkiem zasilającym PPX1000.
- Deklarowana całkowita wartość drgań została zmierzona zgodnie ze standardowymi metodami testowania i może służyć do porównywania różnych narzędzi.
- Deklarowana całkowita wartość drgań może również służyć do wstępnej oceny narażenia na drgania.

**UWAGA:** Emisja dźwięku podczas rzeczywistego stosowania elektronarzędzia może różnić się od deklarowanej wartości, w której narzędzie jest używane; aby się zabezpieczyć, użytkownik powinien nosić rękawice i ochronniki na uszy w rzeczywistych warunkach użytkowania.

## OPIS

### ZAPOZNANIE Z KOŃCÓWKĄ NOŻYCE DO ŻYWOPŁOTU (Rys. A1)

1. Tuleja tylna
2. Tuleja przednia
3. Obudowa silnika
4. Osłona ostrza
5. Ostrze

### LISTA ELEMENTÓW W OPAKOWANIU (A2)

## MONTAŻ

**⚠ OSTRZEŻENIE:** W przypadku braku lub uszkodzenia którejś z części nie należy uruchamiać urządzenia aż do momentu wymiany lub naprawy części. Używanie urządzenia z uszkodzonymi częściami lub gdy którejś z części brakuje może doprowadzić do poważnych urazów ciała.

**⚠ OSTRZEŻENIE:** Przed montażem części, regulacją i czyszczeniem oraz gdy produkt nie jest używany należy zawsze wyjąć z niego akumulator.

### REGULACJA KĄTA GŁOWICY TNAŃCEJ

Po wyjęciu z opakowania końcówka nożyce do żywopłotu jest złożona w pozycji przechowywania (Rys. B). Kąt nachylenia przegubu i obrót wokół osi głowicy tnącej można regulować niezależnie. Przed przystąpieniem do pracy głowicę tnącą należy ustawić w odpowiedniej pozycji roboczej.

### Pokrętko regulacji kąta nachylenia przegubu

Jest 6 pozycji roboczych. Kąt nachylenia ostrza tnącego można regulować w zakresie od -68° do 42° (Rys. C).

1. Pociągnąć do tyłu tuleję przednią i mocno chwycić pokrywę silnika, aby zmienić kąt cięcia na żądaną wartość.



C-1	Tuleja przednia
C-2	Tuleja tylna

- Po uzyskaniużądanego kąta popchnąć tuleję do przodu, aby zablokować pozycję głowicy tnącej.

#### Regulacja obrotu względem osi

Są 2 pionowe pozycje cięcia (Rys. D). Głowicę można obrócić w lewo lub w prawo o 90°.

- Pociągnąć do tyłu tuleję tylną i mocno chwycić pokrywę silnika, aby obrócić ostrze do żądanej pozycji.
- Po uzyskaniużądanego kąta popchnąć tuleję do przodu, aby zablokować pozycję głowicy tnącej.

**⚠ OSTRZEŻENIE:** Aby zmniejszyć ryzyko urazów, przed regulacją należy wyjąć akumulator. Ostrza można regulować tylko po ich całkowitym zatrzymaniu się. Podczas regulacji nie należy nigdy dotykać ostrzy tnących.

**⚠ OSTRZEŻENIE:** Obudowa przekładni wykonana ze stopu odlewniczego jest gorąca. Nigdy nie należy dotykać powierzchni obudowy przekładni ze stopu odlewniczego bez założonych odpowiednich rękawic ochronnych.

#### PODŁĄCZANIE/ODŁĄCZANIE KOŃCÓWKI NOŻYCE DO ŻYWOPLOTU DO TELESKOPOWEGO DRAŻKA ZASILAJĄCEGO (Rys. E)

Ta końcówka nożyce do żywoplotu została zaprojektowana do używania z teleskopowym drążkiem zasilającym PPX1000 marki EGO.

Informacje nt. podłączania nożyc do żywoplotu do drążka zasilającego – patrz część „ZAKŁADANIE KOŃCÓWKI NA TELESKOPOWYM DRAŻKU ZASILAJĄCYM” w instrukcji operatora teleskopowego drążka zasilającego PPX1000.

Informacje nt. zdejmowania nożyc do żywoplotu z drążka zasilającego – patrz część „ZDEJMOWANIE KOŃCÓWKI Z TELESKOPOWEGO DRAŻKA ZASILAJĄCEGO” w instrukcji operatora teleskopowego drążka zasilającego PPX1000

#### MONTAŻ OSŁONY KOŃCÓWKI (opcja)

- Używając klucza imbusowego (do dokupienia osobno), odkręcić krótką śrubę, zdjęć podkładkę płaską, tuleję i nakrętkę na końcu ostrza tnącego. Zachować podkładkę płaską, tuleję i nakrętkę do użycia podczas montażu (Rys. F).

F-1	Nakrętka	F-3	Podkładka płaska
F-2	Tuleja	F-4	Krótką śrubą

- Wyrównać osłonę końcówki względem wybrzuszenia na ostrzu tnącym i zamontować. Dokręcić nową długą śrubą i nakrętką oraz starą podkładką, tuleją i nakrętką (Rys. G).

G-1	Nakrętka	G-4	Tuleja
G-2	Osłona końcówki	G-5	Podkładka płaska
G-3	Nakrętka	G-6	Długa śrubą

## UŻYTKOWANIE

**⚠ NIEBEZPIECZEŃSTWO:** Nigdy nie należy niczego przecinać w pobliżu przewodów elektroenergetycznych, kabli elektrycznych lub innych źródeł prądu. Jeżeli ostrza tnące zatną się na jakimkolwiek kablu lub przewodzie elektrycznym, **NIE WOLNO DOTYKAĆ OSTRZA TNĄCEGO ANI ALUMINIOWEGO WYSIĘGNIKA! ELEMENTY TE MOGĄ BYĆ POD NAPIĘCIEM I MOGĄ BYĆ BARDZO NIEBEZPIECZNE.** Kończówkę nożyce do żywoplotu należy nadal trzymać za izolowany uchwyt lub odłożyć w bezpieczny sposób. Następnie trzeba wyłączyć prąd doprowadzony do przewodu/kabla. Dopiero potem można spróbować wyplątać ostrze z przewodu lub kabla. Dotknięcie ostrza lub innych części przewodzących końcówki nożyce do żywoplotu lub kabli lub przewodów elektrycznych pod napięciem może doprowadzić do śmierci wskutek porażenia prądem lub do poważnych urazów.

**⚠ OSTRZEŻENIE:** Nie wolno dopuść do tego, aby znajomość narzędzia doprowadziła do nieuwagi. Należy pamiętać, że do spowodowania poważnych obrażeń wystarczy zaledwie chwila nieuwagi.

**⚠ OSTRZEŻENIE:** Należy zawsze nosić okulary ochronne. Nieprzestrzeżenie tego zalecenia może doprowadzić do poważnych obrażeń oczu odłamkiem lub skrawkiem materiału wyrzuconym przez pracujące narzędzie, a także grozi innymi możliwymi urazami.

**⚠ OSTRZEŻENIE:** Nie należy używać końcówek lub akcesoriów nie zalecanych przez producenta / EGO™. Używanie końcówek lub akcesoriów innych niż zalecane może doprowadzić do poważnych obrażeń.

#### ZASTOSOWANIA

Produktu można używać do przycinania żywoplotów, krzewów, krzaków i tym podobnych materiałów o średnicy gałęzi do Ø26 mm.

#### UŻYWANIE NOŻYC DO ŻYWOPLOTU NA TELESKOPOWYM DRAŻKU ZASILAJĄCYM

**⚠ OSTRZEŻENIE:** Aby ograniczyć ryzyko obrażeń, podczas pracy narzędziem należy nosić odpowiednią odzież. Nie powinno się nosić luźnych ubrań ani biżuterii. Należy nosić środki ochrony oczu i ochronniki słuchu. Należy nosić ciężkie długie spodnie, solidne buty i rękawice. Nie należy nosić krótkich spodni lub sandałów ani używać narzędzia na bosą.

## PRZYGOTOWANIE DO CIĘCIA:

1. Ustawić głowicę tnącą w żądanej pozycji roboczej.
2. Zdjąć osłonę ostrza z ostrza tnącego.
3. Aby bezpieczniej i lepiej pracować narzędziem, należy przelożyć przez ramię pasek na ramię. Pasek wyregulować w taki sposób, aby zagwarantować wygodną pozycję pracy. Założyć pasek na ramię na drążek zasilający zgodnie z instrukcjami podanymi w części „MONTAŻ PASKA NA RAMIĘ” w instrukcji operatora drążka zasilającego PPX1000.

**⚠ OSTRZEŻENIE:** Pasek na ramię jest także mechanizmem szybkiego odłączenia w niebezpiecznych sytuacjach. W sytuacji awaryjnej należy go natychmiast zdjąć z ramienia, niezależnie od sposobu założenia paska.

**⚠ OSTRZEŻENIE:** Podczas używania nożyc do żywopłotu o dużym zasięgu działania należy zawsze używać obu rąk. Aby nie dopuścić do utraty kontroli nad narzędziem, nożyce do żywopłotu o dużym zasięgu działania należy trzymać oburącz. Prosimy przestrzegać instrukcji podanych w części „TRZYMANIE TELESKOPOWEGO DRAŻKA ZASILAJĄCEGO” w instrukcji operatora PPX1000.

## TECHNIKI PRACY

### Cięcie poziomo (z głowicą tnącą ustawioną pod kątem)

Należy ciąć blisko przy ziemi w pozycji stojącej, np. aby przyciąć niskie krzewy.

Przemiatą głowicą tnącą w prawo i w lewo w miarę posuwania się wzdłuż żywopłotu – używać obu stron ostrzy, nie opierać ostrzy tnących na ziemi (Rys. H).

### Cięcie poziomo (z prostą głowicą tnącą)

Trzymać głowicę tnącą pod kątem od 0° i powoli przemiatć nożycami do żywopłotu w poziomie. Poruszać głowicą tnącą po łuku, w kierunku na zewnątrz, tak aby ścinaki zostały zmiecione na ziemię (Rys. I).

**Zalecenie:** Należy przycinać tylko takie żywopłoty, które tej pozycji roboczej nie sięgają powyżej poziomu klatki piersiowej użytkownika.

### Cięcie pionowo (głowica tnąca ustawiona pod kątem)

Cięcie bez stawiania bezpośrednio przy żywopłocie np. gdy między żywopłotem a operatorem znajduje się klomb.

W tej pozycji cięcia, aby lepiej kontrolować nożyce do żywopłotu, zaleca się połączyć je z głowicą tnącą w pozycji cięcia bocznego.

Przemiatą głowicą tnącą w górę i w dół po łuku w miarę posuwania się wzdłuż żywopłotu – używać obu stron ostrza tnącego (Rys. J).

### Cięcie pionowo (prostą głowicą tnącą)

Bardzo duży zasięg bez żadnego osprzętu dodatkowego. Przemiatą głowicą tnącą w górę i w dół po łuku w miarę posuwania się wzdłuż żywopłotu – używać obu stron ostrza tnącego (Rys. K).

### Cięcie nad głową (z głowicą tnącą ustawioną pod kątem)

Nożyce do żywopłotu należy trzymać pionowo i wykonywać nimi ruchy po łuku, tak aby wykorzystać maksymalny zasięg narzędzia (Rys. L1 i L2). W przypadku wyjątkowo wysokich żywopłotów, można używać trzonka przedłużającego.

**⚠ OSTRZEŻENIE:** Każda pozycja robocza wymagająca pracy nad głową jest męcząca. Aby zminimalizować ryzyko wypadku, praca w takiej pozycji powinna być wykonywana tylko przez krótki czas. Kąt regulowanej głowicy tnącej należy wtedy ustawić na maksymalny, tak aby narzędzie można było trzymać w niższej, mniej męczącej pozycji (na pasku na ramię), przy jednoczesnym zachowaniu wymaganego zasięgu.

## WŁĄCZANIE/WYŁĄCZANIE NARZĘDZIA

Patrz część „WŁĄCZANIE/WYŁĄCZANIE TELESKOPOWEGO DRAŻKA ZASILAJĄCEGO” w instrukcji operatora drążka zasilającego PPX1000.

## KONSERWACJA

**⚠ OSTRZEŻENIE:** Podczas serwisowania należy używać wyłącznie części zamiennych identycznych z oryginalnymi. Narzędzie należy regularnie kontrolować i konserwować. Aby zagwarantować bezpieczeństwo i niezawodność, wszystkie naprawy powinny być wykonywane przez wykwalifikowanych techników serwisu.

**⚠ OSTRZEŻENIE:** Przed kontrolą, czyszczeniem lub serwisowaniem urządzenia należy wyłączyć silnik, odczekać aż wszystkie poruszające części zatrzymają się

i wyjąć akumulator. Niezastosowanie się do powyższych instrukcji może doprowadzić do poważnych obrażeń ciała lub do uszkodzenia mienia.

**UWAGA:** Przed każdym użyciem należy skontrolować cały produkt pod kątem uszkodzonych, brakujących lub obluzowanych części takich jak śruby, wkręty, nakrętki, nasadki itp. Wszystkie elementy połączeniowe i nasadki należy mocno dokręcić. Nie używać produktu zanim wszystkie brakujące lub uszkodzone części nie zostaną wymienione. Prosimy skontaktować się z działem obsługi klienta lub wykwalifikowanym technikiem serwisu.

### KONSERWACJA OGÓLNA

Podczas czyszczenia części plastikowych należy unikać używania rozpuszczalników. Pod wpływem kontaktu z różnego rodzaju rozpuszczalnikami dostępnymi w handlu większość tworzyw może ulec uszkodzeniu. Do usuwania zabrudzeń, kurzu, oleju, smaru itp. należy używać czystych ściereczek.

### CZYSZCZENIE KOŃCÓWKI NOŻYCE DO ŻYWOPŁOTU

1. Wyłączyć silnik i wyjąć akumulator.
2. Wilgotną ściereczką z delikatnym detergentem usunąć ziemię i zanieczyszczenia z końcówki nożyce do żywopłotu.

**UWAGA:** Do czyszczenia części plastikowych lub uchwytu nie należy używać jakichkolwiek silnych detergentów. Elementy te mogą zostać uszkodzone przez niektóre olejki aromatyczne, takie jak olejek sosnowy i cytrynowy.

### PRZECHOWYWANIE KOŃCÓWKI NOŻYCE DO ŻYWOPŁOTU

1. Wyłączyć silnik i wyjąć akumulator z teleskopowego drążka zasilającego.
2. Zdjąć końcówkę nożyce do żywopłotu z teleskopowego drążka zasilającego.
3. Z końcówki nożyce do żywopłotu usunąć wszystkie zanieczyszczenia.
4. Wyrób przechowywać w miejscu niedostępnym dla dzieci.
5. Narzędzie należy chronić przed żrącymi substancjami takimi jak chemia ogrodnicza i sól do usuwania lodu.

### WYMIANA OSTRZA

**OSTRZEŻENIE:** Podczas wykonywania jakichkolwiek czynności przy ostrzu, należy mieć zawsze założone rękawice; poddespory, o których mowa, są bardzo ostre i mogą zawierać zadziory.

1. Wyłączyć narzędzie i wyjąć akumulator.
2. Ustawić ostrze poziomo i dopilnować, aby moduł ostrza znajdował się w jednej linii z trzonkiem nożyce do żywopłotu, co ma na celu ułatwienie montażu (Rys. M).

M-1	Śruba 1# (krótkie śruby)	M-6	Tuleja
M-2	Oslona dolna	M-7	Śruba 2# (długie śruby)
M-3	Płytką wspomnikowa 3#	M-8	Płytką wspomnikowa 2#
M-4	Łącznik dźwigni	M-9	Moduł ostrza
M-5	Płytką wspomnikowa 1#	M-10	Błoczek odśrodkowy

3. Odkręcić kluczem imbusowym (do dokupienia osobno) 6 śrub 1# (krótkie śruby) w pokrywie dolnej. Wyjąć śruby.
4. Odkręcić dalsze 2 śruby 2# (długie śruby), aby wyjąć płytki wspomnikowe 1# i 2# oraz 2 tuleje. 2 tuleje są osobno włożone w 2 zaokrąglone, prostokątne gniazda w module ostrza.
5. Wyjąć płytkę wspomnikową 3#.
6. Ostrożnie wyjąć z ostrza łącznik dźwigni.
7. Wyjąć moduł ostrza z narzędzia i dopilnować, aby nie zmieniła się pozycja zespołu bloczka odśrodkowego.
8. Skierowane do środka wybrzuszenie na nowym module ostrza dopasować do otworu w łączniku dźwigni, aby założyć na miejsce nowy moduł ostrza.
9. Włożyć 2 tuleje osobno w 2 zaokrąglone prostokątne gniazda.
10. Zamontować płytkę wspomnikową 1#, a potem płytkę wspomnikową 2#.
11. Pilnować, aby otwory wewnętrzne w ostrzu, tuleje i płytki wspomnikowe znajdowały się w jednej linii z otworami na śruby w obudowie przekładni. Założyć 2 długie śruby w dopasowane do siebie otwory i dobrze je dokręcić.
12. Lekko poruszyć górnym ostrzem do przodu i do tyłu, aby sprawdzić, czy ostrze swobodnie się przesuwają. Jeżeli nie, wówczas procedurę montażu należy powtórzyć – aż górne ostrze będzie się mogło swobodnie poruszać.
13. Zainstalować łącznik dźwigni.
14. Aby założyć płytkę wspomnikową na miejsce, dopasować otwór w płytce wspomnikowej 3 # do wybrzuszenia na bloczku odśrodkowym. Dopilnować, aby płytką była ułożona dokładnie w środku, równoległe do obu krawędzi.
15. Na obudowę przekładni założyć pokrywę dolną i dokręcić ją 6 krótkimi śrubami.

## SMAROWANIE OSTRZA (Rys. N)

Aby uzyskać optymalne działanie ostrza i przedłużyć jego żywotność, każdorazowo po użyciu ostrze nożyc do żywopłotu należy smarować olejem zabezpieczającym przed korozją. **NIE NALEŻY CAŁKOWICIE ZAPEŁNIAĆ OLEJEM OTWORU DO SMAROWANIA.**

1. Kluczem imbusowym (do dokupienia osobno) wykręcić śrubę z otworu do smarowania na obudowie przekładni.

N-1	Śruba otworu do smarowania
-----	----------------------------

2. Wstrzyknąć 5 g smaru przez otwór do smarowania na obudowie przekładni.
3. Po skończeniu dokręcić śrubę.

## SMAROWANIE PRZEKŁADNI NAPĘDU

Aby narzędzie działało optymalnie i przez długi czas, po każdych 100 godzinach użytkowania, przekładnię napędową końcówki nożyce do żywopłotu należy nasmarować smarem.

**PL**

Smar ten powinien spełniać następujące wymagania:

- Klasa penetracji NLGI: NLGI-2;
- Rodzaj zagęszczacza: Polimocznik;
- Zalecana temperatura użytkowania: od -40°C do 180°C;
- Oprócz powyższych, smar powinien być także odporny na ścinanie; musi posiadać doskonałą charakterystykę ciśnieniową, świetne właściwości zabezpieczające przed zużyciem i doskonałą stabilność oksydacyjną.

Aby wstrzyknąć smar, należy wykonać następujące kroki:

1. Wyłączyć narzędzie i wyjąć akumulator.
2. Kluczem imbusowym (do dokupienia osobno) odkręcić i zdjąć 3 krótkie śruby (O-1) na pokrywie silnika (O-2), a potem zdjąć pokrywę silnika (Rys. O).

O-1	Krótkie śruba	O-5	Podkładka
O-2	Pokrywa silnika	O-6	Obudowa przekładni
O-3	Krótkie śruba	O-7	Zębatki planetarne
O-4	Silnik		

3. Odkręcić 3 krótkie śruby (O-3) na silniku i zdjąć silnik i podkładkę.
4. Za pomocą smarowniczkii (do dokupienia osobno) wstrzyknąć 5 g smaru w środek 3 górnych zębatek planetarnych (O-7) w obudowie przekładni.

**UWAGA:** Pilnować, aby w czasie wstrzykiwania smaru nie zmieniła się pozycja innych części znajdujących się blisko obudowy przekładni.

5. Założyć z powrotem podkładkę i silnik, dokręcić 3 krótkie śruby (O-3).
6. Założyć z powrotem pokrywę silnika, dokręcić 3 krótkie śruby (O-1).
7. Włączyć narzędzie, aby sprawdzić, czy pracuje normalnie. Jeżeli tak nie jest, narzędzie należy złożyć jeszcze raz, tak jak opisano w punktach powyżej.

**UWAGA:** Po zdjęciu pokrywy silnika, wyczyścić wióry nagromadzone wokół silnika.

## Ochrona środowiska



Urządzeń elektrycznych, ładowarki do akumulatorów oraz akumulatorów/baterii akumulatorowych nie należy wyrzucać do zwykłych zmieszanych śmieci domowych!



## ROZWIĄZYWANIE PROBLEMÓW

PROBLEM	PRZYCZYNA	ROZWIĄZANIE
Nożyce do żywopłotu nie działają.	<ul style="list-style-type: none"> <li>■ Narzędzie i akumulator nie kontaktują.</li> <li>■ Akumulator jest rozładowany.</li> <li>■ Akumulator lub narzędzie posiada zabezpieczenie przed zbyt wysoką temperaturą.</li> <li>■ Ostrze zablokowało się.</li> </ul>	<ul style="list-style-type: none"> <li>■ Wyjąć akumulator, sprawdzić styki i założyć akumulator z powrotem.</li> <li>■ Naładować akumulator.</li> <li>■ Pozwolić, aby akumulator lub drążek zasilający ostygły do temperatury poniżej 67°C.</li> <li>■ Wyjąć akumulator z narzędzia. Ostrożnie usunąć to, co blokuje narzędzie, ponownie włożyć akumulator, i jeszcze raz włączyć narzędzie.</li> </ul>
Nadmierne drgania lub hałas.	<ul style="list-style-type: none"> <li>■ Suche lub skorodowane ostrza.</li> <li>■ Wygięte ostrza lub wspornik ostrzy.</li> <li>■ Wygięte lub uszkodzone zęby.</li> <li>■ Poluzowane śruby ostrza.</li> </ul>	<ul style="list-style-type: none"> <li>■ Nasmarować ostrza.</li> <li>■ Wymienić na nowe ostrze lub wspornik zgodnie z opisem w części „WYMIANA OSTRZA” w niniejszej instrukcji lub skontaktować się z punktem serwisowym EGO w celu dokonania wymiany.</li> <li>■ Wymienić na nowe ostrze zgodnie z opisem w części „WYMIANA OSTRZA” w niniejszej instrukcji lub skontaktować się z punktem serwisowym EGO w celu dokonania wymiany.</li> <li>■ Dokręcić śruby ostrza. Dokręcić śrubę kluczem imbusowym (do dokupienia osobno), kręcić w prawo (zgodnie z kierunkiem ruchu wskazówek zegara).</li> </ul>

PL

## GWARANCJA

### POLITYKA GWARANCYJNA EGO

W celu zapoznania się z wszystkimi warunkami polityki gwarancyjnej EGO prosimy odwiedzić stronę [egopowerplus.com](http://egopowerplus.com).

## PŘEČTĚTE SI VŠECHNY POKYNY!



### PŘEČTĚTE SI NÁVOD K OBSLUZE

**⚠ Zbytkové riziko!** Lidé s elektronickými přístroji, jako jsou např. kardiostimulátory, by se měli před použitím toho výrobku poradit se svým lékařem. Použití elektrického zařízení v těsné blízkosti kardiostimulátoru může způsobit narušení činnosti nebo poruchu kardiostimulátoru.

**⚠ VAROVÁNÍ:** Z důvodu bezpečnosti by měl všechny opravy a výměny provádět kvalifikovaný servisní technik.

## SYMBOL IP

Účelem bezpečnostních symbolů je upoutat vaši pozornost k případným nebezpečím. Bezpečnostní symboly a jejich vysvětlení vyžadují vaši zvýšenou pozornost a porozumění. Výstražné symboly samy o sobě nevylučují žádné nebezpečí. Pokyny a varování nejsou náhradou vhodných opatření pro prevenci úrazů.

**CZ**

**⚠ VAROVÁNÍ:** Před použitím tohoto nástroje si přečtěte a seznamte se se všemi bezpečnostními pokyny v tomto návodu k obsluze včetně veškerých výstražných symbolů jako např. „**NEBEZPEČÍ**“, „**VAROVÁNÍ**“ a „**UPOZORNĚNÍ**“. Nedodržení níže uvedených pokynů může mít za následek úraz elektrickým proudem, požár nebo vážná poranění osob.

## VÝZNAM SYMBOLŮ

**⚠ BEZPEČNOSTNÍ VÝSTRAŽNÉ SYMBOLY:** Označují **NEBEZPEČÍ**, **VAROVÁNÍ**, **NEBO UPOZORNĚNÍ** a mohou se použít ve spojení s dalšími symboly nebo piktogramy.



**⚠ VAROVÁNÍ:** Při použití elektrického nářadí může dojít k vyvrstvení cizích těles do očí, což může způsobit jejich závažné poškození. Před použitím elektrického nářadí si vždy nasadte ochranné brýle, ochranné brýle s bočními kryty nebo v případě potřeby obličejový štít. Na brýle nebo standardní ochranné brýle s bočními kryty doporučujeme použít ochrannou masku.

## BEZPEČNOSTNÍ POKYNY

Na této stránce jsou zobrazeny a popsány bezpečnostní symboly, které se mohou objevit na výrobku. Před montáží a provozem si přečtěte, seznamte se a dodržujte veškeré pokyny ke stroji.

	Bezpečnostní upozornění	Upozorňuje na možné riziko úrazu.
	Přečtěte si návod k obsluze	Z důvodu snížení rizika úrazu si musí uživatel přečíst návod k obsluze.
	Udržujte dostatečnou vzdálenost od elektrického vedení.	Aby se zabránilo úrazu elektrickým proudem, nepracujte v dosahu 15 m od nadzemního elektrického vedení. Kontakt s elektrickým vedením může vést k vážnému zranění nebo úrazu elektrickým proudem s následkem smrti.
	Hlučnost	Zaručená hladina akustického výkonu. Emise hluku do prostředí dle směrnice Evropského společenství.
	CE	Tento výrobek je v souladu s platnými směnicemi ES.
	WEEE	Odpadní elektrické výrobky se nesmí likvidovat s domovním odpadem. Odevzdejte je do autorizovaného recyklačního střediska.
	Udržujte ruce a nohy v bezpečné vzdálenosti od řezacího nástroje.	Nikdy se nepokoušejte ovládat nářadí jednou rukou. Při ztrátě kontroly nad elektrickým nářadím může dojít k vážnému nebo smrtelnému zranění. Aby se snížilo riziko porážení, udržujte ruce a nohy v bezpečné vzdálenosti od řezného nástroje. Nikdy nepřipojujte pohyblivý se řezný nástroj rukou nebo jakoukoliv jinou částí těla.

	Používejte ochranu očí a hlavy.	Při práci s tímto výrobkem vždy používejte ochranné pomůcky na oči a hlavu.
IPX5	Symbol IP	Ochrana proti vniknutí vody stupeň 5
V	Volty	Napětí
mm	Milimetr	Délka nebo velikost
cm	Centimetr	Délka nebo velikost
kg	Kilogram	Hmotnost
	Stejnosměrný proud	Druh nebo vlastnosti proudu

### BEZPEČNOSTNÍ VAROVÁNÍ PRO PLOTOVÉ NŮŽKY

- Udržujte všechny části těla v bezpečné vzdálenosti od střížné lišty. Neodstraňujte řezaný materiál ani jej nedržte, pokud je lišta v pohybu. Při čištění uvizlého materiálu dbejte, aby byl spínač vypnutý. Jediná chvilka nepozornosti při práci s plotovými nůžkami může mít za následek vážný úraz.
- Plotové nůžky přenášejte za rukojeť se zastavenou střížnou lištou. Při přepravě nebo skladování plotových nůžek vždy nasadte kryt stříhacího zařízení. Správná manipulace s plotovými nůžkami sníží možné riziko úrazu střížnou lištou.
- Při přepravě nebo skladování plotových nůžek vždy nasadte kryt lišty. Správná manipulace s plotovými nůžkami sníží riziko úrazu střížnou lištou.
- Při odstraňování zaseknutého materiálu nebo při opravě nářadí se ujistěte, že jsou všechny výkonové spínače vypnuty a baterie byla vyjmuta nebo odpojena. Neočekávané spuštění plotových nůžek při odstraňování zaseknutého materiálu nebo při údržbě může vést k vážnému zranění osob.
- Při odstraňování zaseknutého materiálu nebo při opravě nářadí se ujistěte, že jsou všechny hlavní vypínače vypnuty a zámek je v uzavřené poloze. Neočekávané spuštění plotových nůžek při odstraňování zaseknutého materiálu nebo při údržbě může vést k vážnému zranění osob.
- Plotové nůžky držte pouze za izolované části rukojeti, protože střížná lišta se může dostat do kontaktu

se skrytým vedením. Lišta, která se dostane do kontaktu s vodičem „pod proudem“, může rozvést proud do nechráněných kovových částí elektrického nářadí a způsobit obsluze úraz elektrickým proudem.

- Všechny napájecí šňůry a kabely uchovávejte mimo prostor stříhání. Napájecí šňůry nebo kabely mohou být skryty v živých plotech nebo keřích a nářadí je může náhodně přejízdnout.
- Nepoužívejte plotové nůžky za špatných povětrnostních podmínek, zejména pokud existuje nebezpečí blesku. Tím se snižuje riziko úrazu bleskem.

### DODATEČNÉ BEZPEČNOSTNÍ POKYNY PRO PLOTOVÉ NŮŽKY S ROZŠÍŘENÝM DOSAHEM

- Chcete-li snížit riziko úrazu elektrickým proudem, nikdy nepoužívejte plotové nůžky s rozšířeným dosahem v blízkosti elektrického vedení. Kontakt s elektrickým vedením může vést k vážnému zranění nebo úrazu elektrickým proudem s následkem smrti.
- Při manipulaci s plotovými nůžkami s rozšířeným dosahem vždy použijte obě ruce. Plotové nůžky s rozšířeným dosahem držte oběma rukama, abyste nad nimi neztratili kontrolu.
- Při manipulaci s plotovými nůžkami s rozšířeným dosahem nad hlavou vždy používejte ochrannou pomůcku hlavy. Padající odpad může mít za následek vážné zranění.
- Před zahájením práce zkontrolujte, zda v nůžkách nejsou cizí tělesa, např. drátěný plot či skryté vedení.
- Elektrické nářadí držte pouze za izolované rukojeti.
- Plotové nůžky jsou určeny k použití ze země, nikoli ze žebříku nebo jiné nestabilní podpěry.
- Používejte pouze akumulátory a nabíječky uvedené na obr. A2.

GZ

### ULOŽTE SI TYTO POKYNY

DALŠÍ SPECIFICKÉ BEZPEČNOSTNÍ PRAVIDLA LZE NALÉZT V PŘÍRUČCE PŘÍSLUŠNÉHO NÁSTAVCE.

### TECHNICKÉ ÚDAJE

Délka čepele	510 mm
Řezný výkon	26 mm
Doporučená provozní teplota	0°C-40°C
Doporučená teplota skladování	-20°C-70°C
Hmotnost	2.67 kg
Měřená hladina akustického výkonu $L_{WA}$	93.75 dB(A) K=1.7 dB(A)

Hladina akustického tlaku na sluch obsluhy $L_{PA}$		83 dB(A) K=3 dB(A)
Zaručená úroveň akustického výkonu $L_{WA}$ (měřeno podle směrnice 2000/14/ES)		95 dB(A)
Hodnota vibrací $a_h$	Přední rukojeť	1.3 m/s <sup>2</sup> K=1.5 m/s <sup>2</sup>
	Zadní rukojeť	1.5 m/s <sup>2</sup> K=1.5 m/s <sup>2</sup>

- Výše uvedené parametry jsou testovány a měřeny s nářadím vybaveným pohonnou hlavou PPX1000.
- Celková deklarovaná hodnota vibrací byla naměřena podle standardní zkušební metody a lze ji použít ke srovnání s jiným nářadím;
- Celkovou deklarovanou hodnotu vibrací lze použít také k předběžnému stanovení expozičních limitů.

**POZNÁMKA:** Emise vibrací při konkrétním použití elektrického nářadí se mohou lišit od deklarované hodnoty, při které se nářadí používá; z důvodu ochrany provozovatele by měl uživatel ve skutečných pracovních podmínkách nosit rukavice a chrániče sluchu.

CZ

## POPIS

### SEZNAMTE SE S NÁSTAVCEM PLOTOVÝCH NŮŽEK (Obr. A1)

1. Zadní pouzdro
2. Přední pouzdro
3. Kryt motoru
4. Pouzdro čepele
5. Čepel

## OBSAH BALENÍ (A2)

## MONTÁŽ

**VAROVÁNÍ:** Pokud jsou některé díly poškozené, nebo chybí, výrobek nepoužívejte, dokud nedojde k jejich výměně. Použití tohoto výrobku s poškozenými nebo chybějícími díly může vést k vážnému úrazu.

**VAROVÁNÍ:** Pokud provádíte montáž dílů, úpravy, čištění nebo výrobek dlouhodobě nepoužíváte, vždy vyjměte akumulátor.

### NASTAVENÍ ÚHLU STŘIŽNÉ HLAVY

Nástavec plotových nůžek je při vyjmutí z obalu složen ve skladovací poloze (obr. B). Úhel skloubení a radiální

rotaci střížné hlavy lze nastavit nezávisle. Před spuštěním nastavte střížnou hlavu do vhodné pracovní polohy.

### Nastavení úhlu skloubení

K dispozici je šest pracovních poloh. Úhel střížné lišty lze nastavit od -68° do 42° (obr. C).

1. Zatáhněte přední pouzdro a poté pevně přidrže kryt motoru a natočte řezný úhel do požadované polohy.

C-1	Přední pouzdro
C-2	Zadní pouzdro

2. Jakmile nastavíte požadovanou polohu, zatlačte kryt vpřed a upevněte jej na střížné hlavě.

### Nastavení radiální rotace

K dispozici jsou dvě vertikální polohy střihání (obr. D). Nůžky lze nastavit do úhlu 90° vlevo nebo vpravo.

1. Zatáhněte zadní pouzdro a poté pevně přidrže kryt motoru a natočte čepel do požadované polohy.
2. Jakmile nastavíte požadovanou polohu, zatlačte kryt vpřed a upevněte jej na střížné hlavě.

**VAROVÁNÍ:** Z důvodu snížení rizika poranění před seřizováním vyjměte akumulátor a seřizování provádějte, až když jsou čepele v klidu. Při seřizování se nikdy nedotýkejte čepelí.

**VAROVÁNÍ:** Pouzdro převodovky ze slitiny je horké. Nikdy se nedotýkejte slitinového pouzdra převodovky bez ochranných rukavic.

### PŘIPOJENÍ / ODPOJENÍ NÁSTAVCE PRO PLOTOVÉ NŮŽKY NA TELESCOPICKOU TYČ (obr. E)

Tento nástavec plotových nůžek je určen pro použití s teleskopickou tyčí EGO PPX1000.

Viz část „**INSTALACE NÁSTAVCE NA TELESCOPICKOU POHONNOU TYČ**“ v příručce pro obsluhu teleskopické pohonné hlavy PPX1000 pro připojení plotových nůžek na pohonnou tyč.

Viz část „**SEJMUTÍ NÁSTAVCE Z TELESCOPICKÉ POHONNÉ TYČE**“ v příručce pro obsluhu teleskopické pohonné hlavy PPX1000 pro sejmутí plotových nůžek z pohonné tyče.

### MONTÁŽ OCHRANY HROTU (volitelně)

1. Pomocí imbusového klíče (není součástí balení) odšroubujte krátký šroub, plochou podložku, pouzdro a matici na konci střížné lišty. Plochou podložku, pouzdro a matici si uschovejte pro opětovnou montáž (obr. F).



F-1	Matice	F-3	Plochá podložka
F-2	Pouzdro	F-4	Krátký šroub

2. Srovnejte ochranu hrotu s vyboulením na střížné liště a připojte ji na místo. Zajistěte ji novým dlouhým šroubem a maticí, stejně jako odloženou podložkou, pouzdem a maticí (obr. G).

G-1	Matice	G-4	Pouzdro
G-2	Chránič hrotu	G-5	Plochá podložka
G-3	Matice	G-6	Dlouhý šroub

## OBSLUHA

**⚠ NEBEZPEČÍ:** Nikdy neřežte v blízkosti elektrického vedení, elektrických kabelů nebo jiných elektrických zdrojů. Pokud se střížná lišta zasekne na nějakém elektrickém kabelu nebo vedení, **NEDOTÝKEJTE SE STŘIŽNÉ LIŠTY ANI HLINÍKOVÉ TYČE! MOHOU SE STÁT ELEKTRICKY VODIVÝMI A VELMI NEBEZPEČNÝMI.** Držte nadále nástavec plotových nůžek za izolovanou zadní rukojeť, nebo je položte v bezpečné vzdálenosti od sebe. Než se pokusíte uvolnit lištu z vedení nebo kabelu, odpojte je z elektrické sítě. Kontakt se střížnou lištou, jinými vodivými částmi nástavce plotových nůžek, nebo živými elektrickými vodiči vedením může mít za následek vážné zranění nebo smrt elektrickým proudem.

**⚠ VAROVÁNÍ:** Dbejte na to, abyste po seznámení s výrobkem nepřestali být opatrní. Nezapomínejte, že stačí chvíle nepozornosti a může se stát vážný úraz.

**⚠ VAROVÁNÍ:** Vždy používejte ochranu očí. Pokud tak neučiníte, může dojít k vymrštění předmětu do očí, nebo případně jiným vážným úrazům.

**⚠ VAROVÁNÍ:** Nepoužívejte nástavce nebo příslušenství, které nedoporučuje výrobce EGO™. Použití nedoporučených nástavců a příslušenství může vést k vážnému úrazu.

## POUŽITÍ

Tento výrobek můžete použít ke stříhání živých plotů, keřů a křovin s průměrem větví menším než Ø 26 mm.

## POUŽITÍ PLOTOVÝCH NŮŽEK S TELESKOPICKOU Pohonou TYČÍ

**⚠ VAROVÁNÍ:** Pro práci s tímto nářadím se vhodně oblékněte, abyste snížili riziko úrazu. Noste volný oděv ani šperky. Používejte ochranu očí a chrániče sluchu. Noste odolné, dlouhé kalhoty, pevné boty a rukavice. Noste krátké kalhoty, sandály ani nechodte bosí.

## PŘÍPRAVA NA STŘIHÁNÍ:

1. Upravte střížnou hlavu do požadované pracovní polohy.
2. Odstraňte pouzdro ze střížné lišty.
3. Pro bezpečnější a lepší používání si dejte ramenní popruh přes rameno. Upravte ramenní popruh do pohodlné pracovní polohy. Postupujte podle pokynů v části „**MONTÁŽ RAMENNÍHO POPRUHU**“ v příručce PPX1000 pro upevnění ramenního popruhu na pohonnou tyč.

**⚠ VAROVÁNÍ:** Ramenní popruh je vybaven rychle vypínacím mechanismem pro nebezpečné situace. Dojde-li k nouzové situaci, okamžitě si odepněte popruh ze svého ramene bez ohledu na to, jakým způsobem je popruh připnutý.

**⚠ VAROVÁNÍ:** Při manipulaci s plotovými nůžkami s rozšířeným dosahem vždy používejte obě ruce. Plotové nůžky s rozšířeným dosahem držte oběma rukama, abyste nad nimi neztratili kontrolu. Postupujte dle návodu v části „**DRŽENÍ TELESKOPICKÉ Pohonou TYČE**“ v příručce PPX1000.

## PRACOVNÍ TECHNIKY

### Vodorovný řez (se střížnou hlavou pod úhlem)

Řežte blízko k zemi ze stoje, např. při stříhání nízkých keřů.

Houpejte střížnou hlavou vpravo a vlevo při pohybu podél plotu - používejte obě strany střížné lišty, nedotýkejte se střížnou lištou země (obr. H).

### Vodorovný řez (s přímou střížnou hlavou):

Uchopte střížnou hlavu pod úhlem 0° a pomalu pohybujte plotovými nůžkami vodorovným směrem sem a tam. Pohybujte střížnou hlavou do oblouku směrem k vnějším částem živého plotu tak, aby řízky padaly k zemi (obr. I).

**Doporučení:** V této pracovní poloze řežte živé ploty, které dorostly maximálně do výšky vašeho hrudníku.

### Svislý řez (střížná hlava pod úhlem)

Řežte tak, abyste nestáli přímo vedle živého plotu, např. mezi obsluhou a živým plotem se nachází květinový záhon.

V této řezací poloze pro lepší kontrolu plotových nůžek doporučujeme připojit plotové nůžky na střížnou hlavu v poloze pro boční řezání.

Houpejte střížnou hlavou nahoru a dolů v oblouku při pohybu podél plotu - používejte obě strany střížné lišty (obr. J).

GZ

## Svislý řez (s přímou střížnou hlavou):

Extra dlouhý dosah bez nutnosti použití dalších pomůcek. Houpejte střížnou hlavou nahoru a dolů v oblouku při pohybu podél plotu - používejte obě strany střížné lišty (obr. K).

## Řez ve výšce nad hlavou (se střížnou hlavou pod úhlem)

Držte plotové nůžky vertikálně a natočte je do oblouku pro maximální využití jejich dosahu (obr. L1 & L2). Pro velmi vysoké pty je vhodná prodlužovací tyč jako pomůcka pro ořezávání.

**VAROVÁNÍ:** Jakákoliv pracovní poloha nad hlavou je únavná. S cílem snížit riziko nehod na minimum pracujte v takovéto poloze jen po krátkou dobu. Nastavte úhel nastavitelné střížné hlavy na maximum tak, aby nástroj bylo možné držet v nižší a méně únavné poloze (s ramenním popruhem), která přitom poskytuje dostatečný dosah.

## ZAPNUTÍ/VYPNUTÍ NÁŘADÍ

Viz oddíl „ZAPNUTÍ / VYPNUTÍ TELESCOPICKÉ Pohonné tyče“ v příručce PPX1000.

CZ

## ÚDRŽBA

**VAROVÁNÍ:** Při opravách používejte pouze originální náhradní díly. Pravidelně stroj kontrolujte a udržujte. Z důvodu bezpečnosti by měl všechny opravy provádět kvalifikovaný servisní technik.

**VAROVÁNÍ:** Před kontrolou, čištěním nebo údržbou přístroje zastavte motor, počkejte, až se všechny pohyblivé díly zastaví a vyjměte baterii. Nedodržení těchto instrukcí může vést k vážnému zranění nebo poškození majetku.

**POZNÁMKA:** Před každým použitím zkontrolujte celý výrobek, zda není poškozen, nechybí nebo nejsou uvolněné žádné díly, jako např. vruty, matice, šrouby, uzávěry atd. Pevně utáhněte všechny upevňovací prvky a uzávěry a výrobek nepoužívejte, dokud se nevymění všechny chybějící nebo poškozené díly. Obratě se na zákaznické služby nebo kvalifikovaného servisního technika.

## CELKOVÁ ÚDRŽBA

K čištění plastových dílů nepoužívejte rozpouštědla. Většina plastů je náchylná k poškození různými typy komerčních rozpouštědel a jejich použití je může poškodit. K odstranění nečistot, prachu, oleje, maziva atd. použijte čistý hadr.

## ČIŠTĚNÍ NÁSTAVCE PLOTOVÝCH NŮŽEK

1. Vypněte motor a vyjměte akumulátor.
2. Vyčistěte špínu a nečistoty z nástavce plotových nůžek vlhkým hadříkem s jemným čisticím prostředkem.

**POZNÁMKA:** Na plastový kryt nebo rukojeť nepoužívejte žádné silné čisticí prostředky. Mohou být poškozeny některými aromatickými oleji, jako např. borovicovým nebo citronovým.

## ULOŽENÍ NÁSTAVCE PLOTOVÝCH NŮŽEK

1. Zastavte motor a vyjměte akumulátor z teleskopické pohonné tyče.
2. Odpojte nástavec plotových nůžek od teleskopické pohonné tyče
3. Vyčistěte nástavec plotových nůžek od všech nečistot a cizího materiálu.
4. Skladujte na místě, které je mimo dosah dětí.
5. Uchovávejte ji v bezpečné vzdálenosti od korozivních látek, jako jsou chemické látky a rozmrazovací soli.

## VÝMĚNA ČEPELE

**VAROVÁNÍ:** Při manipulaci s čepelí vždy používejte ochranné rukavice; tyto součásti jsou velmi ostré a mohou obsahovat otřepy.

1. Zastavte nástroj a vyjměte akumulátor.
2. Nastavte čepel do vodorovné polohy a zajistěte, aby sestava čepel byla zarovnaná spolu s hřídelí plotových nůžek pro snadnou montáž (obr. M).

M-1	Šrouby 1# (krátké šrouby)	M-6	Pouzdro
M-2	Spodní kryt	M-7	Šroub 2# (dlouhé šrouby)
M-3	Patka 3#	M-8	Patka 2#
M-4	Spojovací páčka	M-9	Sestava čepel
M-5	Patka 1#	M-10	Blok výstředníku

3. K uvolnění 6 šroubů 1# (krátké šrouby) na spodním krytu použijte imbusový klíč (není součástí balení) a sejměte je.
4. Poté uvolněte 2 šrouby 2# (dlouhé šrouby) a sejměte patky 1# & 2# a 2 pouzdra. 2 pouzdra se nachází samostatně uvnitř dvou zaoblených obdélníkových otvorů v sestavě čepel.
5. Sejměte patku 3#.
6. Opatrně sejměte spojovací páčku z čepel.
7. Sejměte sestavu čepel z nástroje a zajistěte, aby sestava bloku výstředníku zůstala ve stejné poloze.
8. Zarovnejte vnitřní vyboulení na nové sestavě čepel s otvorem uvnitř spojovací páčky a nasadte novou sestavu čepel na místo.

9. Vložte obě pouzdra do obou zaoblených obdélníkových otvorů samostatně.
10. Namontujte patku 1# a poté namontujte patku 2#.
11. Dbejte na to, aby vnitřní otvory čepele, pouzdra a otvor v patkách byly zarovnané s otvory pro šrouby v krytu pohonu. Vložte 2 dlouhé šrouby do zarovnaných otvorů a pevně je utáhněte.
12. Mírně pohybujte horní čepelí sem a tam a zkontrolujte, že se čepel může volně pohybovat. V opačném případě znovu smontujte čepele, aby se horní čepel mohla volně pohybovat.
13. Nasadte spojovací páčku
14. Zarovnejte otvor patky 3# s vyboulením na bloku výstředníku a nasadte patku na místo. Ujistěte se, že je patka přímo ve středu a vodorovně k oběma okrajům.
15. Nasadte spodní kryt na kryt pohonu a zajistěte jej 6 krátkými šrouby.

### MAZÁNÍ LIŠTY (Obr. N)

Pro lepší funkci a delší životnost lišty mažte lištu plotových nůžek po každém použití antikorozním olejem. OTVOR PRO OLEJ NIKDY ZCELA NEZAPLNĚTE

1. Odšroubujte šroub mazacího otvoru na krytu pohonu pomocí imbusového klíče (není součástí balení).

N-1	Šroub mazacího otvoru
-----	-----------------------

2. Do mazacího otvoru v krytu pohonu vstříkněte 5 g maziva.
3. Poté šroub utáhněte.

### MAZÁNÍ POHONU

Pro nejlepší provoz a delší životnost mažte pohon nástavce plotových nůžek speciálním mazivem po každých 100 hodinách provozu.

Mazivo musí splňovat následující požadavky:

- Třída penetrace NLGI: NLGI-2;
- Typ zahušťovadla: Polymočovina;
- Doporučený rozsah provozní teploty: -40°C až 180°C;
- Kromě výše uvedeného by mazivo mělo být také stabilní při stříhání s výjimečnými tlakovými charakteristikami a vynikajícími vlastnostmi proti opotřebením a perfektní oxidační stabilitou.

Při doplňování maziva postupujte následujícím způsobem:

1. Zastavte nástroj a vyjměte akumulátor.
2. Pomocí imbusového klíče (není součástí balení) uvolněte a vyjměte 3 krátké šrouby (O-1) na krytu motoru (O-2) a poté sejměte kryt motoru (obr. O).

O-1	Krátký šroub	O-5	Podložka
O-2	Kryt motoru	O-6	Převodová skříň
O-3	Krátký šroub	O-7	Planetová soukolí
O-4	Motor		

3. Uvolněte 3 krátké šrouby (O-3) na motoru a sejměte motor a podložku.
4. Použijte pistolí na mazivo (není součástí balení) a vstříkněte 5 g maziva ve středu 3 horních planetových soukolí (O-7) do krytu pohonu.

**POZNÁMKA:** Zajistěte, aby se během vstřikování maziva nezměnila poloha ostatních částí v blízkosti krytu pohonu.

5. Znovu namontujte podložku a motor utažením 3 krátkých šroubů (O-3).
6. Znovu namontujte kryt motoru utažením 3 krátkých šroubů (O-1).
7. Spusťte nástroj a zkontrolujte, zda pracuje správně. V opačném případě jej smontujte znovu podle shora uvedených kroků.

**POZNÁMKA:** Po sejmутí krytu motoru očistěte piliny kolem motoru.

### Ochrana životního prostředí



Elektrické zařízení, nabíječku a baterie/nabíjecí baterie nevhazujte do domovního odpadu!

GZ

## ODSTRAŇOVÁNÍ ZÁVAD

PROBLÉM	PŘÍČINA	ŘEŠENÍ
Plotové nůžky nefungují.	<ul style="list-style-type: none"> <li>■ Chybí elektrický kontakt mezi nůžkami a akumulátorem.</li> <li>■ Akumulátor je vybitý.</li> <li>■ U akumulátoru nebo nástroje se spustila ochrana proti přehřátí.</li> <li>■ Lišta se zablokovala.</li> </ul>	<ul style="list-style-type: none"> <li>■ Vyměňte akumulátor, zkontrolujte póly a znovu jej nainstalujte.</li> <li>■ Nabijte akumulátor.</li> <li>■ Nechejte akumulátor nebo pohonnou tyč zchladnout, dokud teplota neklesne pod 67 °C.</li> <li>■ Vyměňte akumulátor z nástroje. Opatrně odstraňte překážku a znovu vložte akumulátor a restartujte nástroj.</li> </ul>
Nadměrné vibrace nebo hluk.	<ul style="list-style-type: none"> <li>■ Suché nebo zkorodované lišty.</li> <li>■ Lišty nebo podpěra lišt jsou uhnuté.</li> <li>■ Ohnuté nebo poškozené zuby.</li> <li>■ Povolte šrouby lišt.</li> </ul>	<ul style="list-style-type: none"> <li>■ Namažte lišty.</li> <li>■ Vyměňte lištu nebo podpěru. Postupujte podle části „VÝMĚNA LIŠTY“ v této příručce nebo se pro výměnu obraťte na servisní středisko EGO.</li> <li>■ Vyměňte lištu. Postupujte podle části „VÝMĚNA LIŠTY“ v této příručce nebo se pro výměnu obraťte na servisní středisko EGO.</li> <li>■ Dotáhněte šrouby lišt. Pomocí imbusového klíče (není součástí balení) otočte šroub ve směru hodinových ručiček pro utáhnutí.</li> </ul>

CZ

## ZÁRUKA

### ZÁRUKA SPOLEČNOSTI EGO

Úplné záruční podmínky společnosti EGO naleznete na webové stránce [egopowerplus.com](http://egopowerplus.com).

## PREČÍTAJTE SI VŠETKY POKYNY!



**PREČÍTAJTE SI NÁVOD NA OBSLUHU.**

**⚠ Zvyškové riziko!** Ľudia s elektronickými zariadeniami, napríklad kardiostimulátorom, musia používanie tohto výrobku konzultovať so svojim lekárom. Použitie elektrických zariadení v tesnej blízkosti kardiostimulátora by mohlo spôsobiť rušenie alebo zlyhanie kardiostimulátora.

**⚠ VAROVANIE:** Pre zaistenie bezpečnosti a spoľahlivosti je nevyhnutné, aby všetky opravy a výmeny vykonával len kvalifikovaný servisný technik.

## BEZPEČNOSTNÝ SYMBOL

Účelom bezpečnostných symbolov je upozorniť na možné nebezpečenstvá. Venujte príslušnú pozornosť a pochopte bezpečnostné symboly a ich vysvetlenia. Varovné symboly, samy o sebe, nedokážu eliminovať nebezpečenstvo. Pokyny a varovania, ktoré obsahujú, nie sú náhradou za vhodné opatrenia na prevenciu úrazov.

**⚠ VAROVANIE:** Pred použitím tohto nástroja si prečítajte a pochopte všetky bezpečnostné pokyny v tomto návode na obsluhu, vrátane všetkých bezpečnostných výstražných symbolov, ako sú „**NEBEZPEČENSTVO**“, „**VAROVANIE**“ a „**UPOZORNENIE**“. Nedodržanie nižšie uvedených pokynov môže mať za následok úraz elektrickým prúdom, požiar a/alebo vážne zranenie.

## VÝZNAM SYMBOLU

**⚠ BEZPEČNOSTNÝ VÝSTRAŽNÝ SYMBOL:** Označuje **NEBEZPEČENSTVO**, **VAROVANIE** ALEBO **UPOZORNENIE** a môže byť použitý v spojení s inými symbolmi alebo piktogramami.





**⚠ VAROVANIE:** Prevádzka akéhokoľvek elektrického náradia môže viesť k vymršteniu cudzích predmetov do vašich očí, čo môže spôsobiť vážne poškodenie zraku. Predtým, než začnete používať elektrické náradie, si vždy nasadzte ochranné okuliare alebo ochranné okuliare s postrannými krytmi a prípadne celotvárový štít. Odporúčame použiť bezpečnostnú masku so širokým prierezom na okuliare alebo štandardné bezpečnostné okuliare s postrannými krytmi.

## BEZPEČNOSTNÉ POKYNY

Táto strana zobrazuje a popisuje bezpečnostné symboly, ktoré sa objavujú na tomto výrobku. Pred pokusom o zostavenie a prevádzkovanie si prečítajte, pochopte a dodržiavajte všetky pokyny na stroji.

	Bezpečnostné upozornenie	Upozorňuje na potenciálne nebezpečenstvo úrazu.
	Prečítajte si návod na obsluhu.	Používateľ si musí prečítať návod na obsluhu, aby znížil riziko úrazu.
	Udržujte dostatočnú vzdialenosť od elektrického vedenia.	Aby sa zabránilo úrazu elektrickým prúdom, nepracujte v dosahu 15 m od nadzemného elektrického vedenia. Kontakt s elektrickým vedením môže viesť k vážnemu zraneniu alebo úrazu elektrickým prúdom s následkom smrti.
	Hluk	Garantovaná hladina akustického výkonu. Emisie hluku do prostredia podľa smernice Európskeho spoločenstva.
	CE	Tento výrobok je v súlade s platnými smernicami ES.
	WEEE	Odpadové elektrické výrobky sa nesmú likvidovať spolu s domovým odpadom. Odovzdajte do autorizovaného recyklačného strediska.

**SK**

	Udržujte ruky a nohy v bezpečnej vzdialenosti od rezacieho nástroja.	Nikdy sa nepokúšajte ovládať náradie jednou rukou. Pri strate kontroly nad elektrickým náradím môže dôjsť k vážnemu alebo smrteľnému zraneniu. Aby sa znížilo riziko porezania, udržiavajte ruky a nohy v bezpečnej vzdialenosti od rezacieho nástroja. Nikdy nepripájajte pohybujúci sa rezací nástroj rukou alebo ktoroukoľvek inou časťou tela.
	Používajte ochranu očí a hlavy.	Pri práci s týmto výrobkom vždy používajte ochranu očí a hlavy.
IPX5	Symbol IP	Ochrana proti vniknutiu vody 5. stupňa
V	Volt	Napätie
mm	Milimeter	Dĺžka alebo veľkosť
cm	Centimeter	Dĺžka alebo veľkosť
kg	Kilogram	Hmotnosť
	Jednosmerný prúd	Typ alebo charakteristika prúdu

## BEZPEČNOSTNÉ POKYNY PRE NOŽNICE NA ŽIVÝ PLOT

- Udržujte všetky časti tela mimo dosahu strižnej lišty. Neodstraňujte rezaný materiál, alebo ho nepridržiavajte, keď sú lišty v pohybe. Uistite sa, že vypínač je vypnutý pri odstraňovaní zaseknutého materiálu. Chvilková nepozornosť pri práci s nožnicami na živý plot môže mať za následok vážne zranenie.
- Nožnice na živý plot prenášajte za rukoväť so zastavenou strižnou lištou. Pri preprave alebo skladovaní nožnic na živý plot vždy nasadte puzdro strižnej lišty. Správna manipulácia s nožnicami na živý plot znižuje možnosť úrazu ostrým strižnej lišty.
- Pri preprave alebo skladovaní nožnic na živý plot vždy nasadte puzdro strižnej lišty. Správna

manipulácia s nožnicami na živý plot znižuje možnosť úrazu lištami.

- Pri odstraňovaní zaseknutého materiálu alebo pri opravách zariadenia skontrolujte, či sú vypnuté všetky vypínače a či je akumulátor odstránený alebo odpojený. Neočakávané zapnutie nožnic na živý plot počas čistenia zaseknutého materiálu alebo údržby môže mať za následok vážne zranenie.
- Pri odstraňovaní zaseknutého materiálu alebo pri opravách zariadenia skontrolujte, či sú vypnuté všetky hlavné vypínače a či je zaistenie v uzamknutej polohe. Neočakávané zapnutie nožnic na živý plot počas čistenia zaseknutého materiálu alebo údržby môže mať za následok vážne zranenie.
- Elektrické náradie držte len za izolované rukoväte, pretože strižná lišta môže prísť do kontaktu so skrytým vedením. Pri kontakte lišty so „živým“ vodičom sa môžu obnažené kovové časti nožnic na živý plot stať „živými“ a môžu spôsobiť obsluhu elektrický šok.
- Všetky napájacie káble a vodiče uchovávajte mimo oblastí rezania. Napájacie káble alebo vodiče môžu byť ukryté v kríkoch, či živých plotoch a môže dôjsť k ich náhodnému prerezaniu lištou.
- Nepoužívajte nožnice na živý plot za nepriaznivých poveternostných podmienok, najmä ak existuje nebezpečenstvo blesku. Tým sa znižuje riziko úderu bleskom.

## ĎALŠIE BEZPEČNOSTNÉ POKYNY PRE NOŽNICE NA ŽIVÝ PLOT S DLHÝM DOSAHO

- Aby ste znížili riziko úrazu elektrickým prúdom, nikdy nepoužívajte nožnice na živý plot s predĺženým dosahom v blízkosti elektrického vedenia. Kontakt s elektrickým vedením môže viesť k vážnemu zraneniu alebo úrazu elektrickým prúdom s následkom smrti.
- Pri používaní nožnic na živý plot s predĺženým dosahom používajte vždy dve ruky. Držte nožnice na živý plot s predĺženým dosahom oboma rukami, aby ste predišli strate kontroly.
- Pri používaní nožnic na živý plot s predĺženým dosahom nad úrovňou hlavy používajte vždy ochranu hlavy. Padajúce úlomky môžu mať za následok vážne zranenie osôb.
- Pred použitím skontrolujte živý plot, či sa v ňom nenachádzajú cudzie predmety, napr. drôtené ploty a skryté vedenie.
- Elektrické náradie držte len za izolované rukoväte.
- Nožnice na živý plot sú určené na použitie obsluhou na úrovni terénu a nie na rebríkoch alebo iných nestabilných podperách.

- Používajte iba s akumulátormi a nabíjačkami, ktoré sú uvedené na obr. A2.

### ODLOŽTE SI TIETO POKYNY

ĎALŠIE ŠPECIFICKÉ BEZPEČNOSTNÉ PRAVIDLÁ MÔŽETE NÁJSŤ V PRÍRUČKE PRÍSLUŠNÉHO NÁSTAVCA.

### TECHNICKÉ ÚDAJE

Dĺžka lišty	510 mm	
Rezacia kapacita	26 mm	
Odporúčaná prevádzková teplota	0°C-40°C	
Odporúčaná skladovacia teplota	-20°C-70°C	
Hmotnosť	2.67 kg	
Nameraná hladina akustického výkonu $L_{WA}$	93.75 dB(A) K=1.7 dB(A)	
Hladina akustického tlaku na uši obsluhy $L_{PA}$	83 dB(A) K=3 dB(A)	
Garantovaná hladina akustického výkonu $L_{WA}$ (merané podľa 2000/14/ES)	95 dB(A)	
Valuation of vibration $a_h$	Predná rukoväť	1.3 m/s <sup>2</sup> K=1.5 m/s <sup>2</sup>
	Zadná rukoväť	1.5 m/s <sup>2</sup> K=1.5 m/s <sup>2</sup>

- Vyššie uvedené parametre sú testované a merané s nástrojom vybaveným pohonnou tyčou PPX1000.
- Deklarovaná celková hodnota vibrácií bola meraná v súlade so štandardnou skúšobnou metódou a môže sa použiť na vzájomné porovnanie jednotlivých náradí;
- Uvádzaná celková hodnota vibrácie sa môže použiť aj na predbežný odhad expozície.

**▲ POZNÁMKA:** Emisia vibrácií pri skutočnom používaní náradia sa môže odlišovať od deklarovanej hodnoty, pri akej sa nástroj používa; Za účelom ochrany obsluhy má používateľ v skutočných podmienkach použitia nosiť rukavice a ochranu sluchu.

### POPIS

ZOZNÁMTE SA S NÁSTAVCOM PRE NOŽNICE NA ŽIVÝ PLOT (Obr. A1)

1. Zadné puzdro

2. Predné puzdro
3. Kryt motora
4. Puzdro lišty
5. Lišta

### OBSAH BALENIA (A2)

### MONTÁŽ

**▲ VAROVANIE:** Ak akýkoľvek diel chýba, alebo je poškodený, nepoužívajte tento výrobok, kým nie sú vymenené diely. Ak používate tento výrobok s poškodenými alebo chýbajúcimi časťami, môže dôjsť k vážnemu zraneniu.

**▲ VAROVANIE:** Vždy vyberte batériu z prístroja pri montáži dielov, vykonávaní úprav, čistení, alebo keď sa nepoužíva.

### NASTAVENIE UHLA REZNEJ HLAVY

Nástavec pre nožnice na živý plot zabalený v obale je zložený v skladovacej polohe (obr. B). Uhol kĺbu a radiálne otáčanie reznej hlavy je možné nastaviť nezávisle. Pred použitím nastavte rezaciu hlavu do vhodnej pracovnej polohy.

### Nastavenie uhla kĺbu

K dispozícii je šesť pracovných polôh. Uhol strižnej lišty je možné nastaviť od -68 ° do 42 ° (obr. C).

1. Potiahnite dozadu predné puzdro a potom pevne pridržte kryt motora, aby ste otočili uhol rezu do požadovanej polohy.

C-1	Predné puzdro
C-2	Zadné puzdro

2. Po dosiahnutí požadovaného uhla zatlačte puzdro dopredu, aby ste zaistili polohu reznej hlavy.

### Nastavenie radiálneho otáčania

Existujú dve vertikálne polohy rezania (obr. D). Môžu byť nastavené doľava alebo doprava o 90 °.

1. Potiahnite dozadu zadné puzdro a potom pevne pridržte kryt motora, aby ste otočili lištu do požadovanej polohy.
2. Po dosiahnutí požadovaného uhla zatlačte puzdro dopredu, aby ste zaistili polohu reznej hlavy.

**▲ VAROVANIE:** Pred vykonaním nastavení vyberte akumulátor a vykonajte úpravy iba pri zastavenej lište pre zníženie rizika poranenia. Nikdy sa nedotýkajte lišty počas úprav.

SK

**VAROVANIE:** Zliatinová prevodovka je horúca. Nikdy sa nedotýkajte povrchu zliatinovej prevodovky bez použitia ochranných rukavíc.

## PRIPOJENIE/ODPOJENIE NÁSTAVCA PRE NOŽNICE NA ŽIVÝ PLOT NA TELESKOPICKÚ POHONNÚ TYČ (obr. E)

Tento nástavec pre nožnice na živý plot je určený na použitie s EGO teleskopickou pohonnou tyčou PPX1000.

Pozrite si časť „**INŠTALÁCIA NÁSTAVCA NA TELESKOPICKÚ POHONNÚ TYČ**“ v návode na obsluhu teleskopickkej pohonnej tyče PPX1000 pre pripojenie nožnic na živý plot na pohonnú tyč.

Pozrite si časť „**ODSTRÁNENIE NÁSTAVCA Z TELESKOPICKEJ POHONNEJ TYČE**“ v návode na obsluhu teleskopickkej pohonnej tyče PPX1000 pre odpojenie nožnic na živý plot z pohonnej tyče.

## MONTÁŽ OCHRANY HROTU (voliteľne)

1. Pomocou šesťhranného kľúča (nie je súčasťou dodávky) odstráňte krátku skrutku, plochú podložku, puzdro a maticu na konci strižnej lišty. Plochú podložku, puzdro a maticu si odložte na opätovnú montáž (obr. F).

F-1	Matica	F-3	Plochá podložka
F-2	Puzdro	F-4	Krátka skrutka

2. Zarovnajte ochranu hrotu s výklenkom na strižnej lište a pripojte ho na miesto. Zaisťte ho novou dlhou skrutkou a maticou a tiež aj odloženou podložkou, puzdrom a maticou (obr. H).

G-1	Matica	G-4	Puzdro
G-2	Ochrana hrotu	G-5	Plochá podložka
G-3	Matica	G-6	Dlhá skrutka

## OBSLUHA

**NEBEZPEČENSTVO:** Nikdy nerezte v blízkosti elektrického vedenia, elektrických káblov alebo iných elektrických zdrojov. Ak sa strižná lišta zasekne na nejakom elektrickom kábli alebo vedení, **NEDOTÝKAJTE SA STRIŽNEJ LIŠTY ALEBO HLINÍKOVEJ TYČE! MÔŽU SA STAŤ ELEKTRICKÝ VODIVÝMI A VEĽMI NEBEZPEČNÝMI.** Držte ďalej nástavec pre nožnice na živý plot za izolovanú ruku alebo ho bezpečným spôsobom položte dole a smerom od vás. Pred pokusom o uvoľnenie lišty z vedenia alebo kábla odpojte elektrické napájanie poškodeného vedenia alebo kábla. Kontakt

s lištou, inými vodivými časťami nástavca pre nožnice na živý plot, alebo živými elektrickými vodičmi či vedením môže mať za následok vážne zranenie alebo smrť elektrickým prúdom.

**VAROVANIE:** Nedovoľte, aby dlhodobá skúsenosť práce s týmto výrobkom spôsobila vašu neopatnosť. Pamätajte na to, že aj chvíľková neopatnosť stačí na to, aby spôsobila vážny úraz.

**VAROVANIE:** Vždy používajte ochranu očí. Ak tak neurobíte, môže dôjsť k vyvráteniu predmetov do očí a k ďalším možným vážnym zraneniam.

**VAROVANIE:** Nepoužívajte žiadne nástavce alebo príslušenstvo, ktoré neodporúča výrobca EGO™. Používanie nástavcov alebo príslušenstva, ktoré nie je odporúčané, môže viesť k vážnemu zraneniu osôb.

## POUŽITIE

Tento výrobok môžete použiť na strihanie živých plotov, krovia, kríkov a podobných materiálov s priemerom vetiev menším ako Ø 26 mm.

## POUŽITIE NOŽNÍC NA ŽIVÝ PLOT S TELESKOPICKOU POHONNOU TYČOU

**VAROVANIE:** Oblečte sa vhodne na prácu s týmto náradím, aby sa znížilo riziko poranenia. Nenoste šperky alebo voľný odev. Používajte ochranu očí a sluchu. Oblečte si odolné, dlhé nohavice, čizmy a rukavice. Nenoste krátke nohavice, sandále alebo nebuďte naboso.

## PRÍPRAVA NA REZANIE:

1. Nastavenie reznej hlavy do požadovanej pracovnej polohy.
2. Odstráňte puzdro zo strižnej lišty.
3. Pre bezpečnejšie a lepšie používanie si dajte ramenný popruh cez rameno. Upravte ramenný popruh do pohodlnej pracovnej polohy. Postupujte podľa pokynov v časti „**MONTÁŽ RAMENNÉHO POPRUHU**“ v návode na obsluhu PPX1000 pre upevnenie ramenného popruhu na pohonnú tyč.

**VAROVANIE:** Ramenný popruh má takisto rýchlovypínací mechanizmus pre nebezpečné situácie. Ak dôjde k núdzovej situácii, ihneď si popruh odopnite zo svojho ramena bez ohľadu na to, akým spôsobom je popruh pripnutý.

**VAROVANIE:** Pri používaní nožnic na živý plot s predĺženým dosahom používajte vždy dve ruky. Držte nožnice na živý plot s predĺženým dosahom oboma rukami, aby ste predišli strate kontroly. Postupujte podľa pokynov v časti „**DRŽANIE TELESKOPICKEJ POHONNEJ TYČE**“ v návode na obsluhu PPX1000.



## PRACOVNÉ TECHNIKY

### Vodorovný rez (s naklonenou reznou hlavou):

Režte blízko k zemi zo stoja, napr. pri zarovnávaní nízkych kríkov.

Pohybujte reznou hlavou vpravo a vľavo, ako sa budete pohybovať pozdĺž plotu - používajte obe strany strižnej lišty, nedotýkajte sa strižnou lištou zeme (obr. H).

### Vodorovný rez (s priamou reznou hlavou):

Držte reznú hlavu pod uhlom 0 ° pri pomalom vodorovnom pohybe nožnic na živý plot. Pohybujte reznou hlavou do oblúka smerom k vonkajším častiam živého plotu tak, aby odrezky padali na zem (obr. I).

**Odporúčanie:** V tejto pracovnej polohe režte iba živé ploty do výšky hrude.

### Zvislý rez (s naklonenou reznou hlavou):

Režte tak, aby ste nestáli priamo vedľa živého plotu, napr. kvetinový záhon medzi obsluhou a živým plotom.

V tejto rezacej polohe pre lepšiu kontrolu nožnic na živý plot odporúčame pripojiť nožnice na živý plot na reznú hlavu do polohy pre bočné rezanie.

Pohybujte reznou hlavou hore a dole do oblúka, ako sa budete pohybovať pozdĺž plotu - používajte obe strany strižnej lišty (obr. J).

### Zvislý rez (s priamou reznou hlavou):

Extra dlhý dosah bez nutnosti použitia ďalších pomôcok. Pohybujte reznou hlavou hore a dole do oblúka, ako sa budete pohybovať pozdĺž plotu - používajte obe strany strižnej lišty (obr. K).

### Nadhľavový rez (s naklonenou reznou hlavou):

Držte nožnice na živý plot vertikálne a natočte ich do oblúka pre maximálne využitie ich dosahu (obr. L1 a L2). Pre veľmi vysoké ploty je vhodná predĺžovacia tyč ako pomôcka pre orezávanie.

**VAROVANIE:** Akákoľvek pracovná poloha nad hlavou je únavná. Aby sa minimalizovalo riziko nehôd, pracujte v takejto polohe len krátky čas. Nastavte uhol nastaviteľnej reznej hlavy na maximum tak, aby nástroj bolo možné držať v nižšej a menej únavnej polohe (s ramenným popruhom), ktorá pritom poskytuje dostatočný dosah.

## ZAPNUTIE/VYPNUTIE NÁSTROJA

Pozrite si časť „ZAPNUTIE/VYPNUTIE TELESKOPICKEJ POHONNEJ TYČE“ v návode na obsluhu pohonnej tyče PPX1000.

## ÚDRŽBA

**VAROVANIE:** Pri servise používajte iba identické náhradné diely. Pravidelne kontrolujte a udržiavajte stroj. Pre zaistenie bezpečnosti a spoľahlivosti je nevyhnutné, aby všetky opravy vykonával len kvalifikovaný servisný technik.

**VAROVANIE:** Pred kontrolou, čistením alebo údržbou prístroja zastavte motor, počkajte, kým sa všetky pohyblivé diely zastavia a vyberte akumulátor. Nedodržanie týchto pokynov môže viesť k vážnemu zraneniu alebo poškodeniu majetku.

**POZNÁMKA:** Pred každým použitím skontrolujte, či na zariadení nie sú poškodené, chýbajúce alebo uvoľnené časti, napríklad skrutky, matice, závit, uzávery atď. Bezpečne utiahnite všetky upevňovacie prvky a uzávery a nepoužívajte tento výrobok, kým nebudú vymenené všetky chýbajúce alebo poškodené diely. Obráťte sa na zákaznícke služby alebo kvalifikovaného servisného technika.

## VŠEOBECNÁ ÚDRŽBA

Na čistenie plastových dielov nepoužívajte rozpúšťadlá. Väčšina plastov je náchylná na poškodenie rôznymi typmi komerčných rozpúšťadiel a môžu sa poškodiť, ak sa rozpúšťadlá používajú. Použite čisté handry na odstránenie nečistôt, prachu, oleja, maziva atď.

## ČISTENIE NÁSTAVCA PRE NOŽNICE NA ŽIVÝ PLOT

1. Zastavte motor a vyberte akumulátor.
2. Vyčistite špinu a nečistoty z nástavca pre nožnice na živý plot vlhkou handrou s jemným čistiacim prostriedkom.

**POZNÁMKA:** Nepoužívajte žiadne silné čistiace prostriedky na plastový kryt alebo rukoväť. Môžu sa poškodiť určitými aromatickými olejmi, ako je borovica a citrón.

## SKLADOVANIE NÁSTAVCA PRE NOŽNICE NA ŽIVÝ PLOT

1. Zastavte motor a vyberte akumulátor z teleskopickkej pohonnej tyče.
2. Odpojte nástavec pre nožnice na živý plot z teleskopickkej pohonnej tyče.
3. Odstráňte všetok cudzí materiál z nástavca pre nožnice na živý plot.
4. Skladujte na mieste, ktoré je neprístupné deťom.
5. Chráňte pred agresívnymi látkami, ako sú záhradné chemikálie a rozmrazovacie soli.

SK

## VÝMENA LIŠTY

**VAROVANIE:** Pri manipulácii s lištou vždy používajte rukavice; tieto súčasti sú veľmi ostré a môžu obsahovať ostriny.

1. Vypnite náradie a vyberte akumulátor.
2. Nastavte lištu do vodorovnej polohy a uistite sa, že zostava lišty je zarovnaná s hriadeľom nožnic na živý plot pre jednoduchú montáž (obr. M).

M-1	Skrutka 1# (krátke skrutky)	M-6	Priechodka
M-2	Spodný kryt	M-7	Skrutka 2# (dlhé skrutky)
M-3	Nosná doska 3#	M-8	Nosná doska 2#
M-4	Prepojovacia páka	M-9	Zostava lišty
M-5	Nosná doska 1#	M-10	Excentrický blok

3. Pomocou šesťhranného kľúča (nie je súčasťou dodávky) uvoľnite 6 skrutiek 1# (krátke skrutky) v spodnom kryte a vyberte ich.
4. Pokračujte v uvoľnení 2 skrutiek 2# (dlhé skrutky), aby ste odstránili nosnú dosku 1# a 2#, ako aj 2 priechodky. 2 priechodky sú samostatne umiestnené vo vnútri dvoch otvorov so zaoblenými obdĺžnikmi v zostave lišty.
5. Odstráňte nosnú dosku 3#.
6. Opatrne vytiahnite prepojovaciu páku z lišty.
7. Vyberte zostavu lišty z nástroja a zaistite, aby poloha zostavy excentrického bloku zostala nezmenená.
8. Zarovnajete dovnútra výklenok novej zostavy lišty s otvorom vo vnútri prepojovacej páky, aby ste nainštalovali novú zostavu lišty na miesto.
9. Vložte dve priechodky do dvoch zaoblených obdĺžnikov zvlášť.
10. Namontujte nosnú dosku 1# a potom namontujte nosnú dosku 2#.
11. Vnútorne otvory v lište, priechodky a otvory v nosných doskách udržiavajte zarovnané s otvormi pre skrutky v prevodovej skrini. Zaskrutkujte 2 dlhé skrutky do zarovnaných otvorov a dobre ich utiahnite.
12. Mierne pohnite hornou lištou tam a späť skontrolujte, či sa lišta môže voľne pohybovať. Ak nie, znova namontujte lišty tak, aby sa horná lišta mohla voľne pohybovať.
13. Nainštalujte prepojovaciu páku.
14. Zarovnajete otvor nosnej dosky 3# s výklenkom na excentrickom bloku pre namontovanie nosnej dosky na miesto, pričom sa uistíte, že je doska presne umiestnená v strede a rovnobežne s oboma okrajmi.
15. Namontujte spodný kryt na prevodovku a zaistíte ho 6 krátkymi skrutkami.

## MAZANIE LIŠTY (obr. N)

Pre dosiahnutie čo najlepšej prevádzky a dlhšej životnosti lišty namažte nožnice na živý plot po každom použití antikoroziným olejom. Olejový otvor nezalejte úplne.

1. Odskrutkujte skrutku olejovacieho otvoru na prevodovej skrini šesťhranným kľúčom (nie je súčasťou dodávky).

N-1	Skrutka olejovacieho otvoru
-----	-----------------------------

2. Vstreknite 5 g maziva cez mazací otvor do prevodovky.
3. Po dokončení dotiahnite skrutku.

## MAZANIE HNACIEHO KOLESA

Pre dosiahnutie čo najlepšej prevádzky a dlhšej životnosti namažte hnacie koleso nástavca pre nožnice na živý plot špeciálnym mazivom každých 100 hodín prevádzky.

Mazivo musí spĺňať nasledujúce požiadavky:

- Penetrácia stupňa NLGI: NLGI-2;
- Typ zahusťovadla: Polymočovina;
- Odporúčany rozsah prevádzkových teplôt: - 40 ° C až 180 ° C;
- Okrem vyššie uvedeného by malo byť mazivo tiež stabilné v šmyku s mimoriadnymi tlakovými vlastnosťami, vynikajúcimi vlastnosťami proti opotrebovaniu a perfektnou oxidačnou stabilitou.

Pri plnení maziva postupujte podľa nasledujúcich pokynov:

1. Vypnite náradie a vyberte akumulátor.
2. Pomocou šesťhranného kľúča (nie je súčasťou dodávky) uvoľnite a odskrutkujte 3 krátke skrutky (O-1) na kryte motora (O-2) a potom odmontujte kryt motora (obr. O).

O-1	Krátka skrutka	O-5	Podložka
O-2	Kryt motora	O-6	Prevodová skriňa
O-3	Krátka skrutka	O-7	Planétové prevody
O-4	Motor		

3. Uvoľnite 3 krátke skrutky (O-3) na motore a potom odpojte motor a podložku.
4. Pomocou mazacej pištole (nie je súčasťou dodávky) vstreknite 5 g maziva do stredu 3 horných planétových prevodov (O-7) v prevodovke.

**POZNÁMKA:** Dbajte na to, aby sa počas vstrekovania nezmenila poloha ostatných častí v blízkosti prevodovky.

5. Znovu namontujte podložku a motor utiahnutím 3 krátkych skrutiek (O-3).
6. Znovu namontujte kryt motora utiahnutím 3 krátkych skrutiek (O-1).

7. Spustíte nástroj a skontrolujete, či funguje normálne. Ak sa tak nestane, znova zostavte, ako je popísané vyššie.

**POZNÁMKA:** Po odstránení krytu motora vyčistíte piliny okolo motora.

#### Ochrana životného prostredia



Nevyhadzujte elektrické zariadenia, nabíjačku batérií a batérie/akumulátory do domového odpadu!

SK

## ODSTRAŇOVANIE PORÚCH

PROBLEM	PRÍČINA	RIEŠENIE
Nožnice na živý plot nefungujú.	<ul style="list-style-type: none"> <li>■ Žiadny elektrický kontakt medzi nožnicami a akumulátorom.</li> <li>■ Akumulátor je vybitý.</li> <li>■ Akumulátor alebo náradie sú chránené pred prehriatím</li> <li>■ Lišta sa zasekla.</li> </ul>	<ul style="list-style-type: none"> <li>■ Vyberte akumulátor, skontrolujte kontakty a akumulátor nainštalujte naspäť.</li> <li>■ Nabite akumulátor.</li> <li>■ Nechajte akumulátor alebo pohonnú tyč vychladnúť, kým teplota neklesne pod 67 °C.</li> <li>■ Vyberte akumulátor z prístroja. Opatrne odstráňte prekážku, znovu vložte akumulátor a reštartujte náradie.</li> </ul>
Nadmerné vibrácie alebo hluk.	<ul style="list-style-type: none"> <li>■ Suché alebo skorodované lišty.</li> <li>■ Lišta alebo jej podpera sú ohnuté.</li> <li>■ Ohnuté alebo poškodené zuby.</li> <li>■ Uvoľnené skrutky lišty.</li> </ul>	<ul style="list-style-type: none"> <li>■ Namažte lišty.</li> <li>■ Vymeňte ho za novú lištu alebo podperu podľa časti „VÝMENA LIŠTY“ v tomto návode alebo požiadajte o výmenu servisné stredisko EGO.</li> <li>■ Vymeňte ho za novú lištu podľa časti „VÝMENA LIŠTY“ v tomto návode alebo požiadajte o výmenu servisné stredisko EGO.</li> <li>■ Uťahnite skrutky lišty. Pomocou šesťhranného kľúča (nie je súčasťou dodávky) utiahnite skrutku v smere hodinových ručičiek.</li> </ul>

SK

## ZÁRUKA

### ZÁRUČNÁ POLITIKA EGO

Navštívte webové stránky [egopowerplus.com](http://egopowerplus.com) pre úplné podmienky záručnej politiky spoločnosti EGO.

## OLVASSA EL AZ ÖSSZES UTASÍTÁST!



### OLVASSA EL A HASZNÁLATI ÚTMUTATÓT

**⚠ Fenmaradó kockázat!** Az elektronikus készülékekkel, például pacemakerrel élő emberek a termék használata előtt kérjék ki az orvos véleményét. Az elektromos felszerelésnek a pacemakerhez közel való működtetése interferenciát vagy meghibásodást okozhat a pacemakerben.

**⚠ FIGYELMEZTETES:** A biztonságosság és megbízhatóság biztosítása érdekében minden javítást és cserét szakképzett szerviztechnikus hajtson végre.

## BIZTONSÁGI SZIMBÓLUM

A biztonsági szimbólumok célja, hogy felhívják a figyelmet az esetleges veszélyekre. Nagyon figyeljen a biztonsági szimbólumokra és magyarázatokra, ill. ezek megértésére. A szimbólumok figyelmeztetésesei önmagukban nem hárítják el a veszélyeket. Az utasítások és figyelmeztetések nem helyettesítik a megfelelő balesetmegelőző intézkedéseket.

**⚠ FIGYELMEZTETES:** A szerszám használata előtt feltétlenül olvassa el a jelen használati útmutató minden biztonsági utasítását, a „VESZÉLY”, „FIGYELMEZTETÉS” és „FIGYELEM” biztonsági szimbólumokat is. Az alább felsorolt utasítások be nem tartása áramütést, tűzveszélyt és/vagy súlyos személyi sérülést idézhet elő.

## SZIMBÓLUM JELENTÉSE

**⚠ BIZTONSÁGI SZIMBÓLUM:** A következőket jelöli: **VESZÉLY, FIGYELMEZTETÉS VAGY FIGYELEM**, és más szimbólumokkal vagy rajzokkal együtt használható.



**⚠ FIGYELMEZTETES:** Bármely elektromos kéziszerszám működtetése azzal járhat, hogy idegen tárgyak szembe kerülnek, ami súlyos szemsérüléseket okozhat. Az elektromos kéziszerszám működtetése előtt mindig vegyen fel oldalsó védőlemezrel ellátott védőszemüveget és a teljes védőálarcot, ha szükséges. Javasoljuk, hogy viseljen Wide Vision Safety Mask-ot (védőálarc) a védőszemüveg fölött vagy standard védőszemüveget oldalsó védőlemezrel.

## BIZTONSÁGI ELŐÍRÁSOK

Ezen az oldalon olyan biztonsági szimbólumok láthatók és olvashatók, amelyek megjelenhetnek a terméken. Az összeszerelés vagy működtetés előtt olvassa el, értse meg és tartsa be a gép minden utasítását.

	Biztonsági figyelmeztetés	Potenciális személyi sérülés veszélyét jelzi.
	Olvassa el a használati útmutatót	A sérülések kockázatának csökkentése érdekében a használónak el kell olvasnia a használati útmutatót.
	Tartson kellő távolságot az elektromos vezetékektől	Az áramütés megelőzése érdekében ne működtesse feje felett 15 m-en belül elektromos vezetékek vannak. Amennyiben elektromos vezetékekhez ér, vagy azok közelében használja, akkor az sérülést vagy áramütést okozhat, amely halálalal végződhet.
	Zaj	Garantált hangteljesítményszint. Környezetre ható zajkibocsátás a Európai Közösség irányelve szerint.
	CE	A termék megfelel az érvényes EK irányelveknek.
	WEEE	Az elhasznált elektromos termékek nem helyezhetők a háztartási hulladékok közé. Vigye hivatalos újrahasznosító telephelyre.

HU

	A kezét és lábát tartsa távol a vágószerszámtól	Soha ne próbálja meg egy kézzel működtetni a kéziszerszámot. Amennyiben elveszíti az uralmát a kéziszerszám felett, az súlyos vagy halálos sérülést eredményezhet. A vágási sérülések veszélyének csökkentése érdekében tartsa távol a kezét és lábát a vágóegységétől. Soha ne érjen a vágóegységhez kézzel vagy más testrészével.
	Viseljen szem- és fejevédőt	Mindig viseljen szem- és fejevédőt a termék használata közben.
IPX5	IP szimbólum	Víz behatolása elleni védelmi szint: 5
V	Volt	Feszültség
mm	Milliméter	Hossz vagy méret
cm	Centiméter	Hossz vagy méret
kg	Kilogramm	Súly
	Egyenáram	Áram típusa vagy jellemzői

## A SÖVÉNYNYÍRÓRA VONATKOZÓ BIZTONSÁGI FIGYELMEZTETÉSEK

- Tartsa távol testének minden részét a vágólaptól. Ne távolítsa el a vágott anyagot, és ne tartsa a vágandó anyagot, amíg a pengék mozgásban vannak. Ne feledje kikapcsolni a szerszámot, ha besorult anyagot kell kivenni. A sövényvágó használata közben egyetlen pillanatnyi figyelmetlenség is komoly sérülésekhez vezethet.
- A fogantyújánál fogva vigye a sövénynyíró, miután a vágólap mozgása már leállt. A sövénynyíró szállításakor vagy tárolásakor mindig helyezze fel a vágószerszám borítását. A sövénynyíró megfelelő kezelése csökkenti a vágólapok okozta személyi sérülések veszélyét.

- A sövénynyíró szállításakor vagy tárolásakor mindig helyezze fel a penge burkolatát. A sövénynyíró megfelelő kezelése csökkenti a pengék okozta személyi sérülés veszélyét.
- Amikor eltávolítja a besorult anyagot, vagy szervizeli az egységet, győződjön meg arról, hogy az elektromos kapcsolók ki vannak-e kapcsolva, és az akkucsomag el van-e távolítva, vagy le van-e kapcsolva. A sövénynyíró váratlan működésbe hozatala a besorult anyag eltávolítása vagy a szervizelés során súlyos személyi sérüléseket okozhat.
- Amikor eltávolítja a besorult anyagot, vagy szervizeli az egységet, győződjön meg arról, hogy az elektromos kapcsolók ki vannak-e kapcsolva, és a retesz zárt pozícióban van. A sövénynyíró váratlan működésbe hozatala a besorult anyag eltávolítása vagy a szervizelés során súlyos személyi sérüléseket okozhat.
- A sövénynyírót csak a szigetelt tartófelületeknél fogva tartsa, mivel a penge rejtett vezetékét érinthet. A feszültség alatti vezetékkel érintkező pengék feszültség alá helyezhetik a sövénynyíró burkolat nélküli fémrészeit, és a gépkezelő áramütést szenvedhet.
- Az elektromos kábeleket és vezetékeket tartsa távol a vágóterülettől. Előfordulhat, hogy a hálózati kábelek vagy vezetékek nem láthatók a sövényben vagy a bozótokban, és ezeket véletlenül elvághatja a penge.
- Ne használja a sövénynyírót rossz időjárási körülmények között, különösképpen, ha fennáll a villámlás veszélye. Ez megnöveli annak veszélyét, hogy eltalálja a villám.

## KIEGÉSZÍTŐ BIZTONSÁGI UTASÍTÁSOK TELESZKÓPOS SÖVÉNYNYÍRÓKHOZ

- A halálos áramütés kockázatának csökkentése érdekében soha ne használja a meghosszabbított sövénynyírót elektromos vezetékek közelében. Amennyiben elektromos vezetékekhez ér, vagy azok közelében használja, akkor az sérülést vagy áramütést okozhat, amely halállal végződhet.
- Mindig használja mindkét kezét, amikor a teleszkópos sövénynyírót működteti. Tartsa a meghosszabbított sövénynyírót két kézzel, hogy ne veszítse el az irányítást.
- Mindig használjon fejevédőt, amikor a teleszkópos sövénynyírót fej felett működteti. A lehulló levágott részek súlyos sérülést okozhatnak.
- Használat előtt ellenőrizze, hogy nincsenek-e idegen tárgyak a sövénynyíró közelében, pl. drótkerítés és rejtett vezeték.
- Az elektromos kéziszerszámot kizárólag a szigetelt tartófelületeknél fogva tartsa.

- A sövénynyírót a kezelőnek a földről kell használnia, nem pedig létrára vagy egyéb, instabil eszközre állva
- Csak az A2 ábrán felsorolt akkumulátoregységeket és töltőket használja

### ŐRIZZE MEG EZEKET AZ UTASÍTÁSOKAT!

KIEGÉSZÍTŐLEG SPECIÁLIS BIZTONSÁGI SZABÁLYOK TALÁLHATÓK A MEGFELELŐ ADAPTER HASZNÁLATI ÚTMUTATÓJÁBAN.

## JELLEMZŐK

Penge hosszúsága	510 mm	
Vágási kapacitás	26 mm	
Javasolt üzemi hőmérséklet	0°C-40°C	
Javasolt tárolási hőmérséklet	-20°C-70°C	
Súly	2.67 kg	
Mért hangteljesítményszint $L_{WA}$	93.75 dB(A) K=1.7 dB(A)	
Hangnyomásszint a kezelő fülénél $L_{PA}$	83 dB(A) K=3 dB(A)	
Garantált hangteljesítményszint $L_{WA}$ (a 2000/14/EK szerint mérve)	95 dB(A)	
Vibráció értéke $a_h$	Elülső fogantyú	1.3 m/s <sup>2</sup> K=1.5 m/s <sup>2</sup>
	Hátsó fogantyú	1.5 m/s <sup>2</sup> K=1.5 m/s <sup>2</sup>

- A fenti paraméterek PPX1000 meghajtófejjel felszerelve kerültek tesztelésre és mérésre;
- A névleges rezgési összérték mérése standard bevizsgálási módszerrel történt, és használatával a szerszámok egymással összehasonlíthatók.
- A névleges rezgési érték a kockázat előzetes felméréséhez is felhasználható.

**MEGJEGYZÉS:** A rezgés kibocsátás az elektromos szerszám aktuális használata közben elérhet attól a névleges értéktől, amellyel a szerszámot használják: a kezelő védelme érdekében a használatonak kesztyűt és hallásvédőt kell használnia működtetés közben.

## LEÍRÁS

### ISMERJE MEG A SÖVÉNYNYÍRÓ ADAPTERT (A1. ábra)

1. Hátsó persely

2. Elülső persely
3. Motor burkolat
4. Penge tok
5. Penge

## A CSOMAG TARTALMA (A2)

### ÖSSZESZERELÉS

**⚠ FIGYELMEZTETES:** Ha bármely alkatrész sérült vagy hiányzik, akkor ne működtesse a terméket, amíg az alkatrészeket ki nem cserélik. Sérült vagy hiányzó alkatrészekkel való használat súlyos személyes sérülést okozhat.

**⚠ FIGYELMEZTETÉS:** Mindig vegye ki az akkumulátoregységet a termékből, amikor összeszereli az alkatrészeket, beállításokat, tisztítást végez, vagy amikor nem használja a terméket.

### VÁGÓFEJ SZÖG BEÁLLÍTÁS

Amikor a sövénynyíró tartozékát kivesszük a csomagból, az össze van hajtva, tárolási pozícióban van (B. ábra). A csuklók szöge és a vágófej sugárirányú forgása egymástól függetlenül állítható. Használat előtt állítsa a vágófejet a megfelelő munkapozícióba.

### A csukló szögének beállítása

Hat lehetséges munkapozíció létezik. A vágópenge -68° és 42° között állítható (C. ábra).

1. Húzza vissza az elülső perselyt, majd határozottan tartsa meg a motorburkolatot, amíg a vágási szöget a kívánt pozícióba forgatja.

C-1	Elülső persely
C-2	Hátsó persely

2. Miután elérte a kívánt szöget, tolja előre a perselyt, és rögzítse a vágófej pozícióját.

### A sugárirányú forgás beállítása

Két függőleges vágási pozíció létezik (D. ábra). 90°-ban állítható balra vagy jobbra.

1. Húzza vissza a hátsó perselyt, majd határozottan tartsa meg a motorburkolatot, amíg a pengét a kívánt pozícióba forgatja.
2. Miután elérte a kívánt szöget, tolja előre a perselyt, és rögzítse a vágófej pozícióját.

**⚠ FIGYELMEZTETÉS:** A sérülés kockázatának elkerülése érdekében vegye ki az akkumulátort, mielőtt bármiféle beállítást végezne, és csak akkor vegyen beállításokat, ha a pengét nyugalmi állapotban vannak. Soha ne érjen a pengékhez beállítás közben.

**▲ FIGYELMEZTETÉS:** Az öntvényből készült szerelvényburkolat forró. Soha ne érintse meg az öntvényből készült szerelvényburkolatot egyéni védőeszközként használható kesztyű nélkül.

## A SÖVÉNYNYÍRÓ ADAPTER RÖGZÍTÉSE A MEGHAJTÓFEJRE/LEVÉTELE A MEGHAJTÓFEJRŐL (E. ábra)

A sövénynyíró adapter az EGO PPX1000 teleszkópos meghajtófejhez készült.

Lásd az „**ALKATRÉS ZS CSATLAKOZTATÁSA A TELESZKÓPOS MEGHAJTÓFEJHEZ**” című részt a PPX1000 teleszkópos elektromos rúd kézikönyvében a sövénynyíró és a meghajtófej csatlakoztatásához.

Lásd az „**ALKATRÉS ZS ELTÁVOLÍTÁSA A TELESZKÓPOS MEGHAJTÓFEJRŐL**” című részt a PPX1000 teleszkópos elektromos rúd kézikönyvében a sövénynyíró és a meghajtófej szétválasztásához.

## PENGEVÉG-VÉDŐ FELHELYEZÉSE (opcionális)

1. Egy hatlapfejű csavarkulcs (nincs a csomagban) segítségével távolítsa el a rövid csavart, a az alátétet, a perselyt és az anyacsavart a vágópengé végénél. Őrítse meg az alátétet, a perselyt és az anyacsavart az összeszereléshez (F. ábra).

F-1	Anya	F-3	Sima alátétgyűrű
F-2	Persely	F-4	Rövid csavar

2. Illesse a pengevég-védőt a vágópengé széléhez, és tolja a helyére. Rögzítse egy új hosszú csavarral és anyával, valamint a megőrzött alátétgyűrűvel, persellyel és anyával (G ábra).

G-1	Anya	G-4	Persely
G-2	Pengevég-védő	G-5	Sima alátétgyűrű
G-3	Anya	G-6	Hosszú csavar

## MŰKÖDTETÉS

**▲ VESZÉLY:** Soha ne vágjon elektromos vezetékek vagy áramforrások közelében. Amennyiben a vágópengék elektromos kábelbe vagy vezetékbe akadnak, akkor **NE ÉRJEN A VÁGÓPENGÉHEZ VAGY AZ ALUMÍNÍUM RÚDHOZ! ELEKTROMOS ÁRAM ALÁ KERÜLHETNEK, AMI IGEN VESZÉLYES.** A sövénynyíró adaptert továbbra is a szigetelt hátsó fogantyúnál tartsa, vagy Öntől távol biztonságosan tegye le. Mielőtt megpróbálja kiszabadítani a pengét a vezetékből, válassza le az elektromos áramot a sérült vezetékről. Amennyiben a vágópengéhez vagy a sövénynyíró adapter más vezetőképes alkatrészeihez,

vagy áram alatt lévő elektromos vezetékekhez ér, akkor az halálos vagy súlyos sérüléssel járó áramütést szenvedhet.

**▲ FIGYELMEZTETÉS:** Ne hagyja, hogy a termékkel szerzett jártassága miatt óvatlanná váljon. Emlékezzon arra, hogy a másodperc töredéke alatt történő óvatlanság súlyos sérülést okozhat.

**▲ FIGYELMEZTETÉS:** Mindig viseljen védőszemüveget. Amennyiben nem ezt teszi, tárgyak repülhetnek a szemébe, és más komoly sérülések keletkezhetnek.

**▲ FIGYELMEZTETÉS:** Ne használjon az EGO™ gyártó által nem javasolt adaptereket vagy tartozékokat. A nem javasolt tartozékok használata súlyos személyi sérülést okozhat.

## ALKALMAZÁSOK

A terméket 26 mm-nél kisebb átmérőjű ágakkal rendelkező sövények és bokrok, vagy hasonló növények nyírásához használhatja.

## A SÖVÉNYNYÍRÓ HASZNÁLATA A TELESZKÓPOS MEGHAJTÓFEJJEL

**▲ FIGYELMEZTETÉS:** Megfelelően öltözzön fel a sérülések kockázatának csökkentése érdekében, amikor a szerszámot működteti. Ne viseljen laza ruházatot vagy ékszereket. Viseljen szem-/fülvédőt. Viseljen erős, hosszú szárú nadrágot, cipőt és kesztyűt. Ne viseljen rövidnadrágot vagy szandált, és ne járjon mezítláb.

## VÁGÁS ELŐKÉSZÍTÉSE:

1. Állítsa be a vágófejet a kívánt munkahelyzetbe.
2. Vegye le a pengevédőt a vágópengéről.
3. A biztonságos és jobb működés érdekében helyezze fel a vállszíjat a vállán keresztben. A vállszíjat kényelmes működtetési pozícióba állítsa. A vállsízj meghajtófejre való csatlakoztatását lásd a PPX1000 meghajtófej használati útmutatójának „**A VÁLLSZÍJ FELSZERELÉSE**” c. fejezetében.

**▲ FIGYELMEZTETÉS:** A vállsízj gyorskioldó mechanizmus is veszélyes helyzetben. Ha vész helyzet adódik, akkor azonnal vegye le a válláról, függetlenül attól, hogy van feltéve a szíj.

**▲ FIGYELMEZTETÉS:** Mindig használja mindkét kezét, amikor a teleszkópos sövénynyíró működteti. Tartsa a meghosszabbított sövénynyíró két kézzel, hogy ne veszítse el az irányítást. **A „TELESZKÓPOS MEGHAJTÓFEJ MEGTARTÁSA”** című fejezet követése a PPX1000 kézikönyvében



## MUNKAVÉGZÉSI TECHNIKÁK

### Vízszintes irányú vágás (szögbe állított vágófejjel)

A talajhoz közel álló helyzetben vágjon, pl. alacsony sövény nyírásához.

Mozgassa a vágófejet jobbra és balra, ahogy a sövény mentén halad – a vágópengé mindkét oldalát használja és ne tartsa a vágópengét a talajon (H ábra)

### Vízszintes irányú vágás (egyenes vágófejjel)

Tartsa a vágófejet 0°-os szögben és közben lassan vízszintesen mozgassa a sövénynyírót. A vágófejet ívben mozgassa a sövény külső oldalán, hogy a levágott részek a talajra essenek (I ábra).

**Javaslat:** Ebben a munkapozícióban csak olyan sövényt nyírjon, amelyek a csipőmagasságnál alacsonyabbak.

### Függőleges irányú vágás (szögbe állított vágófejjel)

Az a vágás, amikor nem áll közvetlenül a sövény mellett, pl. virágágyás a kezelő és a sövény között.

Javasoljuk, hogy ebben a vágási pozícióban a sövénynyírót a meghajtófejhez oldalsó vágási pozícióban csatlakoztassa, hogy jobban tudja irányítani a sövénynyírót.

Mozgassa a vágógépséget fel és le ívben, ahogy a sövény mentén halad – a vágópengé mindkét oldalát használja (J ábra).

### Függőleges irányú vágás (egyenes vágófejjel)

Extra hosszan elér mindent kiegészítő biztonsági egységek nélkül. Mozgassa a vágófejet fel és le ívben, ahogy a sövény mentén halad – a vágópengé mindkét oldalát használja (K ábra).

### Fej feletti vágás (szögbe állított vágófejjel)

Tartsa függőlegesen a sövénynyírót, és mozgassa ívben, hogy maximálisan kihasználja a hatótávolságát (L1 és L2 ábra). A rendkívül magas sövényhez használjon hosszabbító rudat.

**FIGYELMEZTETÉS:** Bármilyen fej feletti munkahelyzetben fásasztó a nyírás. A balesetek kockázatának minimalizálása érdekében csak rövid ideig dolgozzon ebben a pozícióban. Az állítható vágófej szögét állítsa a maximumra, hogy a szerszám alacsonyabb, kevésbé fásasztó pozícióban is tartható legyen (vállszíjjal), miközben továbbra is megfelelő elérhetőséget biztosít.

## A SZERSZÁM INDÍTÁSA/LEÁLLÍTÁSA

Lásd "A TELESZKÓPOS MEGHAJTÓFEJ INDÍTÁSA/

LEÁLLÍTÁSA" c. fejezetet a PPX1000 meghajtófej használati útmutatójában.

## KARBANTARTÁS

**FIGYELMEZTETÉS:** Javításkor használjon azonos pótalkatrészeket. Rendszeresen ellenőrizze a gépet, és végezzen karbantartást. A biztonságosság és megbízhatóság biztosítása érdekében minden javítást szakképzett szerviztechnikus hajtson végre.

**FIGYELMEZTETÉS:** Az egység ellenőrzése, tisztítása vagy szervizelése előtt állítsa le a motort, várjon, amíg minden mozgó alkatrész leáll, és vegye ki az akkumulátoregységet. A jelen utasítások be nem tartása súlyos személyi sérülést vagy anyagi kárt eredményezhet.

**MEGJEGYZÉS:** Minden használat előtt ellenőrizze a teljes terméket sérülések, hiányzó vagy laza alkatrészek, pl. csavarok, anyák, alátétek, sapkák stb. szempontjából. Biztonságosan húzzon meg minden rögzítőt és sapkát, és ne működtesse a terméket, amíg a sérült vagy hiányzó alkatrészeket ki nem cserélték. Kérjük, lépjen kapcsolatba az ügyfélszolgálatlal vagy szakképzett szerviz szakemberrel.

## ÁLTALÁNOS KARBANTARTÁS

A műanyag alkatrészek tisztításához ne használjon oldószereket. A legtöbb műanyag különböző vegyi oldószerek hatására károsodik, ezek megrongálhatják őket. Használjon tiszta ruhát a szennyeződés, por, olaj, zsír, stb. eltávolításához.

## A SÖVÉNYNYÍRÓ ADAPTER TISZTÍTÁSA

1. Állítsa le a motort, és vegye ki az akkumulátoregységet.
2. Tisztítsa le a szennyeződéseket a sövénynyíró adatterről egy nedves ruhával és kímélő tisztítószerszerrel.

**MEGJEGYZÉS:** Ne használjon erős tisztítószereket a műanyag burkolaton vagy a fogantyún. Ezek megsérülhetnek a különböző aromaolajaktól, pl. fenyő vagy citrom.

## A SÖVÉNYNYÍRÓ ADAPTER TÁROLÁSA

1. Állítsa le a motort és vegye le az akkumulátoregységet a teleszkópos meghajtófejről.
2. Vegye le a sövénynyíró adaptert a teleszkópos meghajtófejről.
3. Tisztítson le minden idegen anyagot a sövénynyíró adatterről.

- Gyermekek számára nem elérhető helyen tárolja.
- Tartsa távol maró hatású szerektől, például kertü vegyszerektől, és jégmentesítő sótól.

## PENGE CSERÉJE

**▲ FIGYELMEZTETÉS:** Mindig viseljen kesztyűt, amikor a pengékhez nyúl; ezek az alkatrészek nagyon élesek és kiszögellések lehetnek rajtuk.

- Állítsa le a szerszámot és vegye ki az akkumulátoregységet.
- Állítsa a pengét vízszintes pozícióba, ügyelve rá, hogy a penge egység párhuzamos legyen a sövénynyíró tengelyével, az egyszerű összeszerelés érdekében (M ábra).

M-1	Csavar 1# (rövid csavar)	M-6	Persely
M-2	Alsó burkolat	M-7	Csavar 2# (hosszú csavar)
M-3	Tartólemez 3#	M-8	Tartólemez 2#
M-4	Összekötő kar	M-9	Fogantyúegység
M-5	Tartólemez 1#	M-10	Excentrikus blokk

- Egy imbuszkulcs (nem a csomag része) segítségével lazítsa meg a 6 1# csavart (rövid csavarok) az alsó burkolaton, és vegye ki őket.
- Ezután lazítsa meg a 2 2# csavart (hosszú csavarok) a 1# és 2# tartólemez, illetve a 2 persely eltávolításához. A 2 persely külön-külön helyezkedik el a két lekerekített, négyszögletű nyíláson belül, a penge egységben.
- Távolítsa el a 3# tartólemezt.
- Óvatosan távolítsa el az összekötő kart a pengéről.
- Távolítsa el a penge egységet az eszköztől, és ügyeljen rá, hogy az excenter blokk szerelési pozíciója ne változzon.
- Igazítsa az új penge egységen lévő belső dudort az összekötő kar nyílásához az új penge egység felszereléséhez.
- Illessze a két perselyt külön-külön a két lekerekített négyzetbe.
- Szerelje fel az 1#, majd a 2# tartólemezt.
- Tartsa a penge és a perselyek belső nyílásait, valamint a tartólemezek nyílásait egy vonalban a szerelvényburkolat csavarnyílásaival. Helyezze a 2 hosszú csavart az egymáshoz igazított nyílásokba, majd szorítsa meg őket erősen.
- Enyhén mozgassa előre-hátra a felső pengét, hogy ellenőrizhesse, szabadon tud-e mozogni a penge. Ha nem tud, igazítsa a pengét szerelésén, amíg a felső penge szabadon nem tud mozogni.
- Szerelje fel az összekötő kart.

- Igazítsa a 3# tartólemez nyílását az excentrikus blokkon lévő dudorhoz a tartólemez felszereléséhez, ügyelve rá, hogy a lemez pontosan középen helyezkedjen el, a két szélre párhuzamosan.
- Szerelje fel az alsó burkolatot a szerelvényburkolatra, és rögzítse a 6 rövid csavarral.

## A PENGE KENÉSE (N ábra)

A penge legjobb működése és hosszabb élettartama érdekében minden használat után kenje be a sövénynyíró pengéjét rozsdásodást gátló olajjal. **NE TÖLTSE FEL TELJESEN AZ OLAJNYÍLÁST OLAJJAL.**

- Vegye le a szerelvényburkolat olajnyílásának csavarját egy imbuszkulccsal (nem a csomag része).

N-1	Olajnyílás csavarja
-----	---------------------

- Adagoljon 5 g zsírt a zsírtartályba a zsírzónyíláson keresztül.
- Húzza meg a csavart, ha végezt.

## A HAJTÓMŰHÁZ KENÉSE

A legjobb működés és a hosszabb élettartam érdekében minden 100 üzemóra után speciális zsírral kenje meg a sövénynyíró adapter hajtóműházát.

A zsírnak meg kell felelni az alábbi követelményeknek:

- NLGI penetrációs fok: NLGI-2;
- Sűrítő típusa: Polyurea;
- Javasolt üzemi hőmérséklettartomány: -40°C-tól 180°C-ig;
- A fentiekől eltérő esetben a zsírnak stabilnak kell lennie, kivételes nyomási, és kiváló kopásálló tulajdonságokkal, valamint tökéletes oxidációs stabilitással.

Kövesse az alábbi lépéseket a zsír betöltéséhez:

- Állítsa le a szerszámot és vegye ki az akkumulátoregységet.
- Egy imbuszkulcs (nem a csomag része) segítségével lazítsa meg a 3 rövid csavart (O-1) a motor burkolatán (O-2), majd válassza le a motor burkolatát (O ábra).

O-1	Rövid csavar	O-5	Alátét
O-2	Motor burkolat	O-6	Hajtóműház
O-3	Rövid csavar	O-7	Bolygóhajtómű
O-4	Motor		

- Lazítsa meg a 3 rövid csavart (O-3) a motoron, majd válassza le a motort és az alátétét.
- Egy zsírzópisztoly (nem a csomag része) segítségével adagoljon 5 g zsírt a 3 felső bolygómu (O-7) középebe, a szerelvényburkolatba.

**MEGJEGYZÉS:** Ügyeljen rá, hogy a szerelvényburkolat körüli többi alkatrész pozíciója ne változzon az adagolás közben.

5. A 3 rövid csavar (O-3) meghúzásával szerelje vissza az alátétet és a motort.
6. A 3 rövid csavar (O-1) meghúzásával szerelje vissza a motor burkolatot.
7. Indítsa el a szerszámot és ellenőrizze, hogy normál módon működik-e. Ha nem, akkor újra szerelje össze a fenti lépések szerint.

**MEGJEGYZÉS:** A motor burkolatának eltávolítása után tisztítsa le a fűrészport a motor környékéről.

#### Környezetvédelem



Ne tegye az elektromos felszerelést, az akkumulátortöltőt és az akkumulátorokat/újratölthető akkumulátorokat a háztartási hulladékok közé!

## HIBAELHÁRÍTÁS

PROBLÉMA	OK	MEGOLDÁS
A sövénynyíró nem működik.	<ul style="list-style-type: none"> <li>■ Nincs elektromos kapcsolat a fűkasza és az akkumulátor között.</li> <li>■ Az akkumulátoregység lemerült.</li> <li>■ Az akkumulátoregység vagy a szerszám túlhőmérséklet védelme kioldott</li> <li>■ A penge beakadt.</li> </ul>	<ul style="list-style-type: none"> <li>■ Vegye ki az akkumulátoregységet, ellenőrizze a csatlakozásokat, és helyezze vissza az akkumulátoregységet.</li> <li>■ Töltse fel az akkumulátoregységet.</li> <li>■ Hagyja lehűlni az akkumulátoregységet vagy a meghajtófejet, amíg a hőmérséklet 67 °C alá nem esik.</li> <li>■ Vegye ki az akkumulátoregységet a szerszámból. Óvatosan távolítsa el az akadályt, majd helyezze vissza az akkumulátort, és indítsa el a kéziszerszámot.</li> </ul>
Rendkívül magas vibráció vagy zaj.	<ul style="list-style-type: none"> <li>■ Száraz vagy rozsdás pengék.</li> <li>■ A pengék vagy pengetartó elgörbült.</li> <li>■ Elgörbült vagy sérült fog.</li> <li>■ Laza penge csavarok.</li> </ul>	<ul style="list-style-type: none"> <li>■ Kenje be a pengéket.</li> <li>■ Cserélje új pengére vagy tartóra a kézikönyv „PENGE CSERÉJE” című része szerint, vagy forduljon az EGO ügyfélszolgálathoz a cseréhez.</li> <li>■ Cserélje új pengére a kézikönyv „PENGE CSERÉJE” című része szerint, vagy forduljon az EGO ügyfélszolgálathoz a cseréhez.</li> <li>■ Húzza meg a penge csavarjait. A meghúzáshoz imbuszkulccsal (nem tartozék) fordítsa el a csavart az óramutató járásával megegyező irányba.</li> </ul>

HU

## GARANCIA

### EGO GARANCIÁLIS FELTÉTELEK

Kérjük, látogasson el az [egopowerplus.com](http://egopowerplus.com) oldalra, ahol megtalálja a részletes EGO garanciális feltételeket.

## CITIȚI TOATE INSTRUCȚIUNILE!

vedere sau ochelari de protecție standard cu apărători laterale.



### CITIȚI MANUALUL DE INSTRUCȚIUNI

**⚠ Riscuri reziduale!** Persoanele cu dispozitive electronice precum stimulatoare cardiace ar trebui să se consulte cu medicul (medicii) înainte de a utiliza acest produs. Funcționarea echipamentelor electrice în imediata apropiere a unui stimulator cardiac ar putea provoca interferențe sau defecțiuni ale stimulatorului cardiac.

**⚠ AVERTISMENT:** Pentru siguranța și fiabilitatea produsului, toate reparațiile și înlocuirile de piese ar trebui efectuate de către un tehnician de service autorizat.

## SIMBOL DEEE

Scopul simbolurilor privind siguranța este să vă atragă atenția asupra pericolelor posibile. Simbolurile privind siguranța și explicațiile furnizate cu acestea merită atenția și înțelegerea dumneavoastră. Avertizările simbolurilor nu elimină, prin ele însele, niciun pericol. Instrucțiunile și avertizările pe care le oferă acestea nu pot înlocui măsurile adecvate de prevenire a accidentelor.

**⚠ AVERTISMENT:** Asigurați-vă că ați citit și înțelegeți toate instrucțiunile privind siguranța din acest Manual de utilizare, inclusiv toate simbolurile de alertă privind siguranța precum "PERICOL," "AVERTISMENT," și "ATENȚIE" înainte de a utiliza această sculă. Nerespectarea tuturor avertismentelor și instrucțiunilor poate duce la electrocutare, incendiu și/sau răni grave.

## SEMNIȚAȚIA SIMBOLURILOR

### ⚠ SIMBOL DE AVERTIZARE PRIVIND

**SIGURANȚA:** Indică **PERICOL**, **AVERTISMENT**, **SAU ATENȚIE**, poate fi utilizat împreună cu alte simboluri sau pictograme.






**⚠ AVERTISMENT:** Exploatarea oricăror scule electrice se poate solda cu ricoșarea de obiecte străine în ochii dumneavoastră, ceea ce se poate solda cu vătămare gravă a ochilor. Înainte de a începe să utilizați scula electrică, echipați-vă întotdeauna cu ochelari de protecție sau ochelari de protecție cu apărători laterale și vizieră pentru față, atunci când este nevoie. Vă recomandăm să purtați o vizieră lată de protecție peste ochelarii de

## INSTRUCȚIUNI PRIVIND SIGURANȚA

Această pagină descrie simbolurile de siguranță ce pot apărea pe acest produs. Citiți, înțelegeți și respectați toate instrucțiunile de pe mașină înainte de a o asambla și de a o utiliza.

	Alertă privind siguranța	Indică un risc posibil de vătămare corporală.
	Citiți manualul de instrucțiuni	Pentru a reduce riscul de accidentări, utilizatorul trebuie să citească manualul de instrucțiuni.
	Păstrați suficientă distanță de liniile electrice	Pentru a preveni electrocutarea, nu acționați la mai puțin de 15 m de liniile electrice aeriene. Contactul sau utilizarea în apropierea liniilor electrice poate provoca vătămări grave sau electrocutări care pot duce la deces.
	Zgomot	Nivel de putere acustică garantat. Emisii sonore în mediul înconjurător conform Directivei comunitare europene.
	CE	Acest produs este în conformitate cu directivele europene aplicabile.
	DEEE	Deșeurile produselor electrice nu trebuie să fie eliminate împreună cu deșeurile menajere. Predați-le unui punct de reciclare autorizat.

RO

	Țineți mâinile și picioarele departe de scula de tăiere	Nu încercați să utilizați scula electrică cu o singură mână. Pierderea controlului asupra sculei electrice se poate solda cu vătămare gravă sau deces. Pentru a reduce riscul de răni cauzate de tăieturi, țineți-vă la distanță mâinile și picioarele de scula de tăiere. Nu atingeți niciodată o sculă de tăiere în mișcare cu mâna sau cu orice altă parte a corpului dumneavoastră.
	Purtați echipament de protecție a ochilor și a capului	Purtați întotdeauna echipament de protecție a ochilor și a capului când utilizați acest produs.
IPX5	Simbol IP	Protecție de grad 5 împotriva pătrunderii apei
V	Volt	Tensiune
mm	Milimetru	Lungime sau dimensiune
cm	Centimetru	Lungime sau dimensiune
kg	Kilogram	Greutate
	Curent continuu	Tip sau o caracteristică de curent

## **⚠️ INSTRUCȚIUNI GENERALE DE SIGURANȚĂ PENTRU FOARFECE DE TĂIAT DE GARD VIU**

- **Țineți toate părțile corpului la distanță de lama trimmerului. Nu îndepărtați materialul tăiat și nu țineți de materialul ce trebuie tăiat când lamele sunt în mișcare. Asigurați-vă că opriți trimmerul când îndepărtați materialul blocat.** Un moment de neatenție în timp ce utilizați foarfecele de tăiat gard viu se poate solda cu vătămări corporale grave.

- **Transportați foarfecele de tăiat gard viu ținându-l de mâner, cu lama tăietoare oprită.** Când transportați sau depozitați foarfecele de tăiat gard viu, echipați-l întotdeauna cu teaca dispozitivului de tăiere. Manevrarea corespunzătoare a foarfecelui de tăiat gard viu va reduce posibilitatea vătămării corporale de la lamele acestuia.
- **Când transportați sau depozitați foarfecele de tăiat gard viu, echipați-l întotdeauna cu teaca pentru lamă.** Manevrarea corespunzătoare a foarfecelui de tăiat gard viu va reduce posibilitatea vătămării corporale de la lamele acestuia.
- **Când deblocați materialul blocat sau întrețineți unitatea, asigurați-vă că toate comutatoarele de alimentare sunt oprite și acumulatorul este deconectat.** Acționarea neașteptată a foarfecelui de tăiat gard viu în timp ce deblocați materialul blocat sau în timpul întreținerii poate duce la vătămări corporale grave.
- **Când deblocați materialul blocat sau întrețineți unitatea, asigurați-vă că toate comutatoarele de alimentare sunt oprite și butonul de siguranță este pe poziția blocat.** Acționarea neașteptată a foarfecelui de tăiat gard viu în timp ce deblocați materialul blocat sau în timpul întreținerii poate duce la vătămări corporale grave.
- **Țineți foarfecele de tăiat gard viu numai de suprafețe de prindere izolate, deoarece lama poate contacta cabluri ascunse.** Lamele foarfecelui de tăiat gard viu care intră în contact cu un circuit sub tensiune pot pune sub tensiune părțile metalice exterioare ale foarfecelui de tăiat gard viu și pot electrocuta operatorul.
- **Țineți toate cablurile de alimentare și cablurile departe de zona de tăiere.** În timpul funcționării sculei electrice, cablul de alimentare poate fi mascat în tufe și poate fi tăiat accidental de lamă.
- **Nu folosiți foarfecele de tăiat gard viu în condiții meteorologice nefavorabile, mai ales atunci când există riscul de fulgere.** Acest lucru scade riscul de a fi lovit de fulgere.

## **⚠️ INSTRUCȚIUNI DE SIGURANȚĂ SUPPLEMENTARE PENTRU FOARFECELE DE TĂIAT GARD VIU CU ACOPERIRE EXTINSĂ**

- **Pentru a reduce riscul de electrocutare, nu folosiți niciodată foarfecele de tăiat gard viu cu acoperire extinsă în apropierea oricărei linii electrice.** Contactul sau utilizarea în apropierea liniilor electrice poate provoca vătămări grave sau electrocutări care pot duce la deces.
- **Utilizați întotdeauna ambele mâini când utilizați foarfecele de tăiat gard viu cu acoperire extinsă.** Țineți foarfecele de tăiat gard viu cu acoperire extinsă cu ambele mâini pentru a evita pierderea controlului.

- **Utilizați întotdeauna echipament de protecție a capului când utilizați deasupra capului foarfecele de tăiat gard viu cu acoperire extinsă.** Căderea resturilor poate duce la vătămări corporale grave.
- **Înainte de utilizarea foarfecelui, inspectați gardul viu pentru depistarea obiectelor străine, de ex. garduri de sârmă și cabluri ascunse.**
- **Țineți scula electrică numai de suprafețele izolate.**
- Foarfecele de tăiat gard viu este destinat utilizării de către operator la nivelul solului și nu pe scări sau pe orice alt suport instabil.
- Utilizați numai seturile de acumulatori și încărcătoarele menționate în Fig. A2.

### PĂSTRAȚI ACESTE INSTRUCȚIUNI

**REGULI SUPLIMENTARE DE SIGURANȚĂ SPECIFICE SE GĂSESC ÎN MANUALUL AFERENT DISPOZITIVELOR COMPATIBILE.**

### SPECIFICAȚII

Lungime lamă	510 mm	
Capacitate de tăiere	26 mm	
Temperatură de funcționare recomandată	0°C-40°C	
Temperatură de depozitare recomandată	-20°C-70°C	
Greutate	2.67 kg	
Nivel de putere sonoră măsurată $L_{WA}$	93.75 dB(A) K=1.7 dB(A)	
Nivel de presiune acustică la urechea operatorului $L_{PA}$	83 dB(A) K=3 dB(A)	
Nivel de putere sonoră garantat $L_{WA}$ (măsurat în conformitate cu 2000/14/CE)	95 dB(A)	
Valoarea vibrațiilor $a_n$	Mâner frontal	1.3 m/s <sup>2</sup> K=1.5 m/s <sup>2</sup>
	Mâner posterior	1.5 m/s <sup>2</sup> K=1.5 m/s <sup>2</sup>

- Parametrii de mai sus sunt testați și măsurați când scula este echipată cu tija de alimentare PPX1000.
- Valoarea totală declarată a vibrațiilor a fost măsurată în conformitate cu o metodă standard de testare și poate fi utilizată pentru compararea sculelor între ele;
- Valoarea totală declarată poate fi utilizată în evaluarea preliminară a expunerii.

**OBSERVAȚIE:** Vibrațiile emise în timpul utilizării efective a sculei electrice pot diferi față de valoarea celor declarate pentru scula utilizată; Pentru protejerea operatorului, utilizatorul trebuie să poarte mănuși și protecții auditive în timpul utilizării efective a produsului.

### DESCRIERE

#### DESCRIEREA ACCESORIULUI FOARFECELUI DE TĂIAT GARD VIU (Fig. A1)

1. Bucșă spate
2. Bucșă față
3. Carcasă motor
4. Apărătoare lamă
5. Lamă

### LISTA COMPONENTELOR (A2)

#### ASAMBLAREA

**⚠ AVERTISMENT:** Dacă unele piese sunt deteriorate sau lipsesc, nu utilizați acest produs până la înlocuirea pieselor. Utilizarea acestui produs cu piese deteriorate sau lipsă s-ar putea solda cu vătămări grave.

**⚠ AVERTISMENT:** Scoateți întotdeauna setul de acumulatori din produs înainte de a asambla componente, a efectua reglaje, a curăța sau atunci când produsul nu este utilizat.

#### REGLAREA UNGHIIULUI CAPULUI DE TĂIERE

Când foarfecele de tăiat gard viu este scos din ambalaj, acesta este pliat în poziția sa de depozitare (Fig. B). Unghiul de articulație și rotația radială a capului de tăiere pot fi reglate independent. Înainte de utilizare, reglați capul de tăiere într-o poziție de lucru adecvată.

#### Reglarea unghiului de articulație

Există șase poziții de lucru. Unghiul lamei de tăiere poate fi reglat de la -68° la 42° (Fig. C).

1. Trageți înapoi bucșa din față și apoi țineți ferm capacul motorului pentru a roti unghiul de tăiere în poziția dorită.

C-1	Bucșă față
C-2	Bucșă spate

2. Odată ce unghiul dorit este atins, împingeți înaintea bucșa pentru a bloca poziția capului de tăiere.

RO

## Reglarea rotirii radiale

Există două poziții verticale de tăiere (Fig. D). Se poate regla la stânga sau la dreapta la 90°.

1. Trageți înapoi bușa din spate și apoi țineți ferm capacul motorului pentru a roti lama în poziția dorită.
2. Odată ce unghiul dorit este atins, împingeți înainte bușa pentru a bloca poziția capului de tăiere.

**⚠️ AVERTISMENT:** Pentru a reduce riscul de vătămare, scoateți acumulatorul înainte de a efectua reglaje și efectuați reglaje numai atunci când lamele sunt oprite. Nu atingeți niciodată lamele în timpul efectuării reglajelor.

**⚠️ AVERTISMENT:** Carcasa angrenajului din aliaj turnat este fierbinte. Nu atingeți niciodată suprafața carcasei din aliaj turnat fără a purta mănuși de protecție.

## CONECTAREA /DETAȘAREA ACCESORIULUI FOARFECELUI DE TĂIAT GARD VIU LA TIJA DE ALIMENTARE TELESCOPICĂ (Fig. E)

Acest accesoriu de foarfece de tăiat gard viu este conceput pentru a fi utilizat cu tija de alimentare telescopică PPX1000 EGO.

Consultați secțiunea privind „**INSTALAREA UNUI ACCESORIU LA TIJA DE ALIMENTARE TELESCOPICĂ**” din manualul de instrucțiuni al tijei de alimentare telescopică PPX1000 pentru instrucțiuni referitoare la conectarea foarfecelui de tăiat gard viu la tija de alimentare.

Consultați secțiunea privind „**DETAȘAREA ACCESORIULUI DE LA TIJA DE ALIMENTARE TELESCOPICĂ**” din manualul de instrucțiuni al tijei de alimentare telescopică PPX1000 pentru instrucțiuni referitoare la deconectarea foarfecelui de tăiat gard viu de la tija de alimentare.

## INSTALAREA PROTECTORULUI DE VÂRF (Opțional)

1. Utilizați o cheie hexagonală (neinclusă) pentru a îndepărta bolțul scurt, șaiba plată, bușa și piulița de la capătul lamei de tăiere. Păstrați șaiba plată, bușa și piulița pentru reasamblare (Fig. F).

F-1	Piuliță	F-3	Șaibă plată
F-2	Bucșă	F-4	Bolț scurt

2. Aliniați protectorul de vârf cu proeminența de pe lamă și montați în poziție. Securizați cu un bolț lung nou și o piuliță precum și cu șaiba, bușa și piulița păstrate (Fig. G).

G-1	Piuliță	G-4	Bucșă
G-2	Protector de vârf	G-5	Șaibă plată
G-3	Piuliță	G-6	Bolț lung

## FUNCȚIONARE

**⚠️ PERICOL:** Nu tăiați niciodată în apropierea liniilor electrice, a cablurilor electrice sau a altor surse electrice. În cazul blocării lamelor într-un cablu electric sau o linie electrică, **NU ATINGEȚI LAMA DE TĂIERE SAU TIJA DE ALUMINIU! ACESTEĂ POT FI PUSE SUB TENSIUNE ȘI POT DEVENI FOARTE PERICULOASE.** Continuați să țineți accesoriul foarfecelui de tăiat gard viu de mânerul izolat sau așezați-l pe jos și la distanță de dumneavoastră, într-un mod sigur. Deconectați alimentarea electrică de la cablu sau firul avariat înainte de a încerca să eliberați lama din cablu sau din fir. Contactul cu lama de tăiere, cu alte părți conductoare ale foarfecelui de tăiat gard viu sau contactul cu cablurile electrice ori liniile sub tensiune poate fi fatal din cauza electrocutării sau a vătămării grave.

**⚠️ AVERTISMENT:** Nu permiteți ca familiarizarea cu acest produs să vă determine să fiți neatent. Amintiți-vă că o fracțiune de secundă de neatenție este suficientă pentru a provoca vătămări grave.

**⚠️ AVERTISMENT:** Purtați întotdeauna echipament de protecție oculară. Nerespectarea acestei instrucțiuni ar putea avea ca rezultat proiectarea în ochi a obiectelor și alte posibile vătămări grave.

**⚠️ AVERTISMENT:** Nu utilizați nicio componentă sau accesoriu care nu a fost recomandat de producătorul EGO™. Utilizarea de accesorii nerecomandate se poate solda cu vătămări grave.

## APLICAȚII

Puteți utiliza acest produs pentru tunderea gardurilor vii, a tufișurilor, a arbuștilor și a vegetației similare ale căror crengi au un diametru mai mic de Ø26 mm.

## UTILIZAREA FOARFECELUI DE TĂIAT GARD VIU CU TIJĂ DE ALIMENTARE TELESCOPICĂ

**⚠️ AVERTISMENT:** Îmbrăcați-vă corespunzător pentru a reduce riscul de vătămare când utilizați această sculă. Nu purtați haine largi sau bijuterii. Purtați echipament de protecție oculară și auditivă. Purtați pantaloni lungi rezistenți, bocanci și mănuși. Nu purtați pantaloni scurți, sandale și nu să stați desculți(ă).

## PREGĂTIREA PENTRU TĂIERE:

1. Reglați capul de tăiere în poziția de lucru dorită.
2. Îndepărtați teaca lamei de pe lama de tăiere.
3. Pentru o utilizare mai sigură și mai bună, așezați-vă pe umăr cureaua de umăr. Reglați cureaua de umăr într-o poziție confortabilă de lucru. Urmați instrucțiunile din secțiunea „**INSTALAREA CURELEI DE UMĂR**”

RO



din manualul de instrucțiuni al PPX1000 pentru a atașa cureaua de umăr la tija de alimentare.

**⚠️ AVERTISMENT:** Cureaua de umăr este și un mecanism rapid de detașare în situații periculoase. În caz de urgență, îndepărtați imediat cureaua de pe umăr, indiferent de modul de instalare al curelei.

**⚠️ AVERTISMENT:** Utilizați întotdeauna ambele mâini când utilizați foarfecele de tăiat gard viu cu acoperire extinsă. Țineți foarfecele de tăiat gard viu cu acoperire extinsă cu ambele mâini pentru a evita pierderea controlului. Respectați instrucțiunile din secțiunea „ȚINEREA TIJEI DE ALIMENTARE TELESCOPICE” din manualul de utilizare PPX1000.

## TEHNICI DE LUCRU

### Tăierea orizontală (cu capul de tăiere în unghi)

Tăiați cât mai aproape de sol dintr-o poziție verticală, de ex. tufășurile joase.

Balansați capul de tăiere în dreapta și în stânga pe măsură ce vă deplasați de-a lungul gardului viu - utilizați ambele laturi ale lamelor de tăiere, nu sprijiniți lama de tăiere pe sol (Fig. H).

### Tăierea orizontală (cu capul de tăiere drept)

Țineți capul de tăiere la un unghi de 0° în timp ce balansați lent foarfecele de tăiat gard viu pe orizontală. Balansați capul de tăiere într-un arc înspre exteriorul gardului viu, astfel încât vegetația tăiată să fie trasă înspre sol (Fig. I).

**Recomandare:** În această poziție, tundeți numai gardurile vii care nu vă depășesc nivelul pieptului.

### Tăierea verticală (cu capul de tăiere în unghi)

Tundeți fără să stați exact lângă gardul viu, de ex. strat de flori între utilizator și gard viu.

În această poziție, pentru un control mai bun al foarfecelui de tăiat gard viu, se recomandă să conectați foarfecele de tăiat gard viu la capul de alimentare în poziția de tundere laterală.

Balansați capul de tăiere în sus și în jos într-un arc pe măsură ce vă deplasați de-a lungul gardului viu - utilizați ambele laturi ale lamei de tăiere (Fig. J).

### Tăierea verticală (cu capul de tăiere drept)

Acces cât mai extins fără a necesita alte ajutoare.

Balansați capul de tăiere în sus și în jos într-un arc pe măsură ce vă deplasați de-a lungul gardului viu - utilizați ambele laturi ale lamei de tăiere (Fig. K).

### Tăierea deasupra capului (cu capul de tăiere în unghi)

Țineți foarfecele de tăiat gard viu în poziție verticală și balansați-l într-un arc pentru a utiliza la maxim raza sa de acțiune (Fig. L1 și L2). Pentru garduri vii extrem de înalte, tija extensibilă este adecvată pentru a vă ajuta la tuns.

**⚠️ AVERTISMENT:** Orice poziție de lucru deasupra capului este oboșitoare. Pentru a minimiza riscurile de accidente, lucrați în astfel de poziții numai pentru durate scurte de timp. Setati unghiul capului de tăiere reglabil pe maxim, astfel încât scula să poată să fie ținută într-o poziție mai joasă, mai puțin oboșitoare (folosind cureaua de umăr), continuând furnizarea unei raze de acțiune adecvate.

## PORNIREA/OPRIREA SCULEI

Consultați secțiunea privind „PORNIREA/OPRIREA TIJEI DE ALIMENTARE TELESCOPICE” din manualul de instrucțiuni al tije de alimentare PPX1000.

## ÎNȚREȚINERE

**⚠️ AVERTISMENT:** La depanare, utilizați numai piese de schimb identice. Inspectați și efectuați întreținerea mașinii cu regularitate. Pentru siguranța și fiabilitatea produsului, toate reparațiile trebuie efectuate de către un tehnician de service autorizat.

**⚠️ AVERTISMENT:** Înainte de a inspecta, a curăța sau a efectua operațiuni de service asupra aparatului, opriți motorul, asigurați-vă că toate componentele mobile sunt oprite și îndepărtați setul de acumulatori dacă este nevoie. Nerespectarea acestor instrucțiuni se poate solda cu vătămări corporale grave sau distrugerea bunurilor.

**⚠️ OBSERVAȚIE:** Înainte fiecărei utilizări, inspectați întregul produs pentru depistarea defectelor, componentelor lipsă sau slăbite precum șuruburi, piulițe, bolțuri, capace etc. Strângeți bine toate elementele de prindere și capacele și nu utilizați acest produs dacă piesele lipsă sau defecte nu sunt înlocuite. Vă rugăm să contactați serviciul de clienți sau un tehnician de service calificat.

## ÎNȚREȚINERE GENERALĂ

Evitați utilizarea solvenților când curățați piese din plastic. Majoritatea pieselor din plastic sunt susceptibile să se deterioreze de la diverse tipuri de solvenți comerciali și se pot defecta prin utilizarea acestora. Utilizați lavete curate pentru a îndepărta murdăria, praful, uleiul, unsoarea etc.

RO

## CURĂȚAREA ACCESORIULUI PENTRU FOARFECILE DE TĂIAT GARD VIU

1. Opriți motorul și scoateți setul de acumulatori.
2. Curățați murdăria și resturile de pe accesoriul foarfecelui de tăiat gard viu cu ajutorul unei cârpe ușor umezite cu detergent slab.

**OBSERVAȚIE:** Nu utilizați detergenți puternici pe carcasa de plastic sau pe mâner. Acestea se pot deteriora de anumite uleiuri parfumate precum molid și lămâie.

## DEPOZITAREA ACCESORIULUI PENTRU FOARFECILE DE TĂIAT GARD VIU

1. Opriți motorul și scoateți setul de acumulatori de pe tija de alimentare telescopică.
2. Scoateți accesoriul foarfecelui de tăiat gard viu de pe tija de alimentare telescopică.
3. Curățați toate materiile străine de pe accesoriul foarfecelui de tăiat gard viu.
4. Depozitați-l într-un loc inaccesibil copiilor.
5. Țineți-l la distanță de agenți corozivi, precum substanțele chimice de grădină și sărurile de dezghețare.

## ÎNLOCUIREA LAMEI

**⚠️ AVERTISMENT:** Purați întotdeauna mânuși când manevrați lama; aceste componente sunt foarte ascuțite și pot prezenta bavuri.

1. Opriți scula și scoateți setul de acumulatori.
2. Reglați lama în poziție orizontală, asigurându-vă că ansamblul lamei este aliniat cu arborele foarfecelui de tăiat gard viu pentru montare ușoară (Fig. M).

M-1	Șurub nr. 1 (șuruburi scurte)	M-6	Bucșă
M-2	Capac inferior	M-7	Șurub nr. 2 (șuruburi lungi)
M-3	Placă de sprijin nr. 3	M-8	Placă de sprijin nr. 2
M-4	Manetă de legătură	M-9	Ansamblul lamei
M-5	Placă de sprijin nr. 1	M-10	Bloc excentric

3. Folosiți o cheie hexagonală (neinclusă) pentru a slăbi cele 6 șuruburi nr. 1 (șuruburi scurte) din capacul inferior și scoateți-le.
4. Continuați să slăbiți cele 2 șuruburi nr. 2 (șuruburi lungi) pentru a îndepărta placa de sprijin nr. 1 și nr. 2, precum și cele 2 bucșe. Cele 2 bucșe sunt amplasate separat în interiorul celor două fante dreptunghiulare rotunjite din ansamblul lamei.
5. Scoateți placa de sprijin nr. 3.
6. Scoateți cu grijă maneta de legătură de pe lamă.

7. Scoateți ansamblul lamei de pe sculă și asigurați-vă că poziția ansamblului blocului excentric rămâne neschimbată.
8. Aliniați protuberanța interioară a noului ansamblu de lamă cu orificiul din interiorul manetei de legătură pentru a instala noul ansamblu de lamă în poziție.
9. Introduceți separat cele două bucșe în cele două dreptunghiuri rotunjite.
10. Montați placa de sprijin nr. 1 și apoi montați placa de sprijin nr. 2.
11. Mențineți găurile din interiorul lamei, bucșelor și găurile din plăcile de sprijin alinate cu găurile șuruburilor din cutia de viteze. Instalați cele 2 șuruburi lungi în găurile alinate și strângeți-le bine.
12. Mutați ușor lama superioară înainte și înapoi pentru a verifica dacă lama se poate mișca liber. Dacă nu, reasamblați lamele până când lama superioară se poate mișca liber.
13. Instalați maneta de legătură.
14. Aliniați orificiul plăcii de sprijin nr. 3 cu protuberanța de pe blocul excentric pentru a instala placa de sprijin în poziție, asigurându-vă că placa este amplasată exact în centru, paralelă cu ambele margini.
15. Montați capacul inferior pe cutia de viteze și fixați-l cu 6 șuruburi scurte.

## LUBRIFIEREA LAMEI (Fig. N)

Pentru cea mai bună funcționare și o durată de viață mai lungă a lamei, lubrifiați lama foarfecelui de tăiat gard viu cu ulei de combatere a ruginii după fiecare utilizare. **NU UMLEȚI COMPLET CU ULEI ORIFICIUL DE UNGERE.**

1. Scoateți șurubul orificiului de ungere de pe cutia de viteze cu o cheie hexagonală (neinclusă).

N-1 | Șurub pentru orificiu de ungere

2. Injectați 5 g de unsoare prin orificiul de ungere în cutia de viteze.
3. Strângeți șurubul după ce ați terminat.

## LUBRIFIEREA CUTIEI DE VITEZE

Pentru cea mai bună funcționare și o durată de viață mai lungă, lubrifiați cutia de viteze a foarfecelui de tăiat gard viu cu unsoare specială după fiecare 100 de ore de utilizare.

Unsoarea specială trebuie să întrunească următoarele cerințe:

- NLGI Grad de penetrare: NLGI-2;
- Tip de agent de îngroșare: Poliuree;
- Intervalul recomandat de temperatură de funcționare: -40°C până la 180°C;

RO

- În afară de cele de mai sus, unsoarea trebuie să fie, de asemenea, stabilă la forfecare, cu caracteristici excepționale de presiune și o proprietate excelentă de rezistență la uzură și stabilitate perfectă la oxidare.

Urmați pașii de mai jos pentru a umple cu unsoare:

1. Opriți scula și scoateți setul de acumulatori.
2. Folosiți o cheie hexagonală (neinclusă) pentru a slăbi și scoate 3 șuruburi scurte (O-1) de pe capacul motorului (O-2) și apoi detașați capacul motorului (Fig. O).

O-1	Șurub scurt	O-5	Șaibă
O-2	Capac motor	O-6	Carcasă angrenaj
O-3	Șurub scurt	O-7	Roți dințate
O-4	Motor		

3. Slăbiți cele 3 șuruburi scurte (O-3) de pe motor și apoi detașați motorul și șaiba.
4. Folosiți un pistol pentru unsoare (neinclus) pentru a injecta 5 g de unsoare în centrul celor 3 roți dințate superioare (O-7) din cutia de viteze.

**NOTĂ:** Asigurați-vă că poziția altor piese de lângă cutia de viteze rămâne neschimbată în timpul injectției.

5. Reasamblați șaiba și motorul strângând cele 3 șuruburi scurte (O-3).
6. Reasamblați capacul motorului strângând cele 3 șuruburi scurte (O-1).
7. Porniți scula pentru a verifica dacă poate funcționa normal. În caz contrar, reasamblați-o conform descrierilor de mai sus.

**NOTĂ:** După îndepărtarea capacului motorului, curățați rumegușul din jurul motorului.

#### Protejarea mediului înconjurător



Nu eliminați echipamentul electric, încărcătorul de acumulator și bateriile/acumulatorii împreună cu deșeurile menajere!



RO

## DEPANARE

PROBLEMĂ	CAUZĂ	SOLUȚIE
Foarfecele de tăiat gard viu nu funcționează.	<ul style="list-style-type: none"> <li>■ Nu există contact electric între foarfece și acumulator.</li> <li>■ Setul de acumulatori este descărcat.</li> <li>■ Acumulatorul sau scula are protecție la temperatură excesivă</li> <li>■ Lama este blocată.</li> </ul>	<ul style="list-style-type: none"> <li>■ Îndepărtați acumulatorul, verificați contactele și reinstalați setul de acumulatori.</li> <li>■ Încărcați setul de acumulatori.</li> <li>■ Lăsați setul de acumulatori sau tija de alimentare să se răcească până când temperatura scade sub 67°C.</li> <li>■ Detașați setul de acumulatori de pe sculă. Îndepărtați blocajul cu atenție și apoi reinstalați setul de acumulatori și reporniți scula.</li> </ul>
Vibrații sau zgomot excesive.	<ul style="list-style-type: none"> <li>■ Lame uscate sau corodate.</li> <li>■ Lamele sau suportul de lame sunt îndoite.</li> <li>■ Dinți îndoiți sau deteriorați.</li> <li>■ Bolțuri de lame slăbiți.</li> </ul>	<ul style="list-style-type: none"> <li>■ Lubrifiați lamele.</li> <li>■ Înlocuiți cu o lamă nouă sau un suport nou, respectând secțiunea „ÎNLOCUIREA LAMEI” din acest manual sau contactați centrul de service EGO pentru înlocuire.</li> <li>■ Înlocuiți cu o lamă nouă, respectând secțiunea „ÎNLOCUIREA LAMEI” din acest manual sau contactați centrul de service EGO pentru înlocuire.</li> <li>■ Strângeți bolțurile de prindere a lamei. Cu ajutorul unei chei hexagonale (neincluse), rotiți bolțul în sensul acelor de ceasornic pentru a-l strânge.</li> </ul>

RO

## GARANȚIE

### POLITICA PRIVIND GARANȚIA EGO

Vă rugăm să consultați site-ul [egopowerplus.com](http://egopowerplus.com) pentru termenii și condițiile complete ale politicii privind garanția EGO.

## PREBERITE VSA NAVODILA!



### PREBERITE PRIROČNIK Z NAVODILI ZA UPORABO

**⚠ Tveganje zaradi preostalega toka!** Pred uporabo izdelka se morajo osebe z elektronskimi napravami, kot je srčni spodbujevalnik, posvetovati s svojim zdravnikom. Delovanje električne opreme v bližini srčnega spodbujevalnika lahko povzroči motnje ali okvaro srčnega spodbujevalnika.

**⚠ OPOZORILO:** Za zagotovitev varnosti in zanesljivosti mora vsa popravila in zamenjave izvesti usposobljen servisni tehnik.

## VARNOSTNI SIMBOL

Namen varnostnih simbolov je, da vas opozorijo na morebitne nevarnosti. Bodite pozorni na varnostne simbole in njihova pojasnila ter jih poskušajte razumeti. Opozorilni simboli sami ne odpravljajo nobene nevarnosti. Navodila in opozorila niso nadomestilo za ustrezne ukrepe za preprečevanje nesreč.

**⚠ OPOZORILO:** poskrbite, da boste pred uporabo orodja prebrali in razumeli vsa varnostna navodila v priročniku z navodili za uporabo, vključno z vsemi simboli za varnostna opozorila, kot so »NEVARNOST«, »OPOZORILO«, in »SVARILO«. Neupoštevanje spodaj navedenih navodil se lahko odrazi v električnem udaru, požaru in/ali resnih telesnih poškodbah.

## POMEN SIMBOLA

**⚠ SIMBOL VARNOSTNEGA OPOZORILO:** Označuje NEVARNOST, OPOZORILO ALI PREVIDNOST in se lahko uporablja skupaj z drugimi simboli ali piktogrami.



**⚠ OPOZORILO:** Delovanje katerega koli električnega orodja lahko povzroči metanje tujkov v vaše oči, kar lahko povzroči resne poškodbe očesa. Pred začetkom dela z električnim orodjem vedno nosite zaščitna ali varnostna očala s stranskimi zaščitami in po potrebi tudi zaščito za celoten obraz. Priporočamo vam uporabo varnostne maske Wide Vision Safety Mask za uporabo prek očal ali standardnih varnostnih očal s stransko zaščito.

## VARNOSTNA NAVODILA

Na tej strani so prikazani in opisani varnostni simboli, ki se lahko pojavijo na tem izdelku. Preberite in osvojite navodila na stroju ter jih upoštevajte, preden se lotite sestavljanja in upravljanja stroja.

	Varnostno opozorilo	Označuje morebitno nevarnost za telesne poškodbe.
	Preberite priročnik z navodili za uporabo.	Za zmanjšanje nevarnosti telesnih poškodb je pomembno, da uporabnik prebere priročnik z navodili za uporabo.
	Ohranite zadostno razdaljo od električnih kablov	Da preprečite nevarnost električnega udara, bodite pri upravljanju naprave vsaj 15 metrov oddaljeni od nadzemnih električnih vodov. Stik z električnimi kablji ali uporaba naprave v njihovi bližini lahko povzroči resne poškodbe ali električni udar, kar lahko povzroči smrt.
	Hrup	Zagotovljena raven zvočne moči Emisije hrupa v okolico so v skladu z direktivo Evropske skupnosti.
	CE	Ta izdelek je skladen z veljavnimi direktivami ES.
	Odpadna električna in elektronska oprema (OEEO)	Odpadnih električnih izdelkov ne odlagajte med gospodinjnske odpadke. Odnosite jih v pooblaščen obrat za recikliranje.
	Pazite, da so roke in stopala stran od orodja za rezanje.	Električnega orodja nikoli ne poskušajte upravljati z eno roko. Izguba nadzora na električnim orodjem lahko povzroči hude telesne poškodbe ali celo smrt. Za zmanjšanje tveganja za ureznine držite roke in stopala stran od orodja za rezanje. Vključenega orodja za rezanje se nikoli ne dotikajte z roko ali drugim delom telesa.

SL

	Nosite zaščito za oči in glavo.	Pri delu s tem izdelkom vedno nosite zaščito za oči in glavo.
IPX5	Simbol IP	5. stopnja zaščite pred vdorom vode
V	Volt	Napetost
mm	Milimeter	Dolžina ali velikost
cm	Centimeter	Dolžina ali velikost
kg	Kilogram	Teža
	Enosmerni tok	Vrsta ali značilnost toka

## VARNOSTNA OPOZORILA ZA OBREZOVALNIK ŽIVE MEJE

- Delov telesa nikoli ne izpostavljajte rezilu. Ne odstranjujte odrezanega ali zagozdenega materiala, ko se rezila premikajo. Prepričajte se, da je naprava izklopljena, ko odstranjujete zagozden material. Trenutek nepazljivosti med uporabo obrezovalnika žive meje lahko povzroči hude telesne poškodbe.
- Obrezovalnik žive meje prenašajte tako, da ga držite za ročaj, rezilo pa naj bo pri tem ustavljeno. Med transportom ali skladiščenjem obrezovalnika žive meje vedno uporabljajte pokrov za napravo za rezanje. Pravilno ravnanje z obrezovalnikom žive meje zmanjša tveganje telesnih poškodb zaradi rezil.
- Med transportom ali skladiščenjem obrezovalnika žive meje vedno namestite pokrov za rezilo. S pravilnim upravljanjem obrezovalnika žive meje zmanjšate tveganje telesnih poškodb zaradi rezil.
- Pred odstranjevanjem zagozdenega materiala ali popravilom orodja se prepričajte, da so vsa stikala v vklop/izklop izklopljena in da je akumulator odstranjen ali odklopljen. Nepričakovan zagon obrezovalnika žive meje med odstranjevanjem zagozdenega materiala ali popravilom lahko povzroči telesne poškodbe.
- Pred odstranjevanjem zagozdenega materiala ali popravilom orodja se prepričajte, da so vsa stikala v zaklenjenem položaju. Nepričakovan zagon obrezovalnika žive meje med odstranjevanjem zagozdenega materiala ali popravilom lahko povzroči telesne poškodbe.
- Obrezovalnik žive meje držite le za izolirane površine, namenjene za prijemanje, saj je lahko v

**rezilu skrito ožičenje.** Če se rezila dotaknejo žice, ki je pod električno napetostjo, se lahko izpostavljeni kovinski deli obrezovalnika žive meje naelektrijo in povzročijo električni udar.

- Poskrbite, da v območju rezanja ne nobenih napajalnih in drugih kablov. Napajalni ali drugi kabli so lahko skriti v živih mejah ali grmičevju, zato jih lahko nehote prerežete.
- Obrezovalnika žive meje ne uporabljajte v slabih vremenskih razmerah, zlasti če obstaja nevarnost udara strele. S tem boste zmanjšali možnost udara strele.

## DODATNA VARNOSTNA NAVODILA ZA OBREZOVALNIKE ŽIVE MEJE S PODALJŠANIM DOSEGOM

- Da bi zmanjšali tveganje za električni udar, obrezovalnika žive meje s podaljšanim dosegom nikoli ne uporabljajte v bližini električnih vodov. Stik z električnimi kabli ali uporaba naprave v njihovi bližini lahko povzroči resne poškodbe ali električni udar, kar lahko povzroči smrt.
- Obrezovalnik žive meje s podaljšanim dosegom vedno upravljajte z dvema rokama. Obrezovalnik žive meje s podaljšanim dosegom držite z obema rokama, da preprečite izgubo nadzora.
- Kadar obrezovalnik žive meje s podaljšanim dosegom uporabljate nad glavo, vedno uporabljajte zaščito za glavo. Padajoči ostanki lahko povzročijo hude telesne poškodbe.
- Pred rezanjem živo mejo pregledjte za prisotnost tujkov, npr. žične ograje in skrito ožičenje.
- Električno orodje držite le za izolirane prijemalne površine.
- Obrezovalnik žive meje je namenjen uporabi na tleh in ne na lestvi ali kakršni koli nestabilni podpori.
- Napravo uporabljajte le z baterijskimi sklopi in polnilniki, navedenimi na sl. A2.

## TA NAVODILA SHRANITE.

## DODATNA SPECIFIČNA VARNOSTNA PRAVILA NAJDETE V PRIROČNIKU Z NAVODILI USTREZNEGA PRIKLJUČKA.

## TEHNIČNI PODATKI

Dolžina rezila	510 mm
Zmogljivost rezanja	26 mm
Priporočena obratovalna temperatura	Od 0 °C do 40 °C

Priporočena temperatura za shranjevanje		Od -20 °C do 70 °C
Teža		2,67 kg
Izmerjena raven zvočne moči $L_{WA}$		93,75 dB(A) K=1,7 dB(A)
Raven zvočnega tlaka v ušesu upravljavca $L_{PA}$		83 dB(A) K=3 dB(A)
Zagotovljena raven zvočnega tlaka $L_{WA}$ (izmerjena v skladu z Direktivo 2000/14/ES)		95 dB(A)
Vrednotenje oddajanja vibracij $a_h$	Sprednji ročaj	1,3 m/s <sup>2</sup> K=1,5 m/s <sup>2</sup>
	Zadnji ročaj	1,5 m/s <sup>2</sup> K=1,5 m/s <sup>2</sup>

- Zgornji parametri so preskušeni in izmerjeni z nameščeno pogonsko enoto PPX1000.
- Nazivna skupna vrednost tresljajev je bila izmerjena v skladu s standardno preskusno metodo in jo je mogoče uporabiti za primerjavo enega orodja z drugim.
- Nazivno skupno vrednost tresljajev je mogoče uporabiti tudi za predhodno oceno izpostavljenosti.

**OPOMBA:** oddajanje tresljajev med dejansko uporabo električnega orodja se lahko razlikuje od nazivne vrednosti, v kateri se uporablja orodje. Upravljavec se lahko zaščiti tako, da uporablja rokavice in naušnike, primerne dejanskim pogojem uporabe.

## OPIS

### SPOZNAJTE SVOJ PRIKLJUČEK Z OBREZOVALNIKOM ŽIVE MEJE (sl. A1)

1. Zadnja puša
2. Sprednja puša
3. Ohišje motorja
4. Zaščita za rezilo
5. Rezilo

## SEZNAM VSEBINE (A2)

### SESTAVLJANJE

**⚠ OPOZORILO:** Če so deli poškodovani ali manjkajo, orodja ne uporabljajte, dokler ne zamenjate delov. Če ta izdelek uporabljate s poškodovanimi ali manjkajočimi deli, lahko pride do hudih telesnih poškodb.

**⚠ OPOZORILO:** pri nameščanju delov, opravljanju prilagoditev, čiščenju ali kadar izdelek ni v uporabi vedno odstranite baterijski sklop.

### NASTAVITEV KOTA GLAVE ZA REZANJE

Ko priključek z obrezovalnikom žive meje vzamete iz embalaže, je zložen v položaju za shranjevanje (sl. B). Delovni kot in radialno vrtenje glave za rezanje je mogoče nastaviti neodvisno. Pred delovanjem glavo za rezanje nastavite v ustrezen delovni položaj.

Nastavitev delovnega kota

Na voljo je 12 delovnih položajev. Kot rezila je mogoče nastaviti od -68° do 42° (sl. C).

1. Sprednjo pušo povlecite nazaj in nato pokrov motorja čvrsto držite, da kot rezanja zavrtite v želeni položaj.

C-1	Sprednja puša
C-2	Zadnja puša

2. Ko dosežete želeni kot, pušo potisnite naprej, da zaklenete položaj glave za rezanje.

### Nastavitev radialnega vrtenja

Na voljo sta dva navpična položaja rezanja (sl. D). Nastavitev je mogoče v levo ali desno za 90°.

1. Zadnjo pušo povlecite nazaj in nato pokrov motorja čvrsto držite, da rezilo zavrtite v želeni položaj.
2. Ko dosežete želeni kot, pušo potisnite naprej, da zaklenete položaj glave za rezanje.

**⚠ OPOZORILO:** da bi zmanjšali tveganje za telesne poškodbe, pred opravljanjem nastavitve odstranite baterijo, nastavitve pa opravite le, ko rezila mirujejo. Med nastavitvijo se nikoli ne dotikajte rezil.

**⚠ OPOZORILO:** ohišje zobnikov iz zlitine je vroče. Površine ohišja zobnikov iz zlitine se nikoli ne dotikajte brez zaščitnih rokavic.

### PRIKLJUČITEV/ODSTRANITEV PRIKLJUČKA Z OBREZOVALNIKOM ŽIVE MEJE NA TELESKOPSKO POGONSKO PALICO (sl. E)

Ta priključek z obrezovalnikom žive meje zasnovan za uporabo s teleskopsko pogonsko palico EGO PPX1000.

Za priklop obrezovalnika žive meje na pogonsko palico glejte razdelek »**NAMESTITEV PRIKLJUČKA NA TELESKOPSKO POGONSKO PALICO**« v uporabniškem priložniku pogonske palice PPX1000.

SL

Za odstranjevanje obrezovalnika žive meje s pogonske palice glejte razdelek »**ODSTRANITEV PRIKLJUČKA S TELESKOPSKE POGONSKE PALICE**« v uporabniškem priročniku pogonske palice PPX1000.

## NAMESTITEV ZAŠČITE ZA KONICO (izbirno)

1. Za odstranitev kratkega vijaka, navadne podložke, puše in matice na koncu rezila uporabite imbusni ključ. Navadno podložko, pušo in matico shranite za ponovno namestitvev (sl. F).

F-1	Matica	F-3	Navadna podložka
F-2	Puša	F-4	Kratek vijak

2. Poravnajte zaščito za konico z izboklino na rezilu ter jo namestite na ustrezno mesto. Pritrdite jo z novim dolgim vijakom in matico ter s shranjeno podložko, pušo in matico (slika G).

G-1	Matica	G-4	Puša
G-2	Zaščita za konico	G-5	Navadna podložka
G-3	Matica	G-6	Dolg vijak

## UPRAVLJANJE

**⚠ NEVARNOST:** nikoli ne obrezujte v bližini električnih vodov, kablov ali drugih virov napajanja. Če se rezilo zagzodi v električni vod ali kabel, **SE NE DOTIKAJTE REZILA ALI ALUMINIJASTE PALICE! POSTANETA LAHKO ELEKTRIČNO NAPETA IN ZELO NEVARNA.**

Priključek z obrezovalnikom žive meje še naprej držite za izoliran ročaj ali ga varno položite na tla in stran od sebe. Preden skušate rezilo osvoboditi iz voda ali kabla, prekinite napajanje poškodovanega voda ali kabla. Stik z rezilom, drugimi prevodnimi deli priključka z obrezovalnikom žive meje ali električnimi vodi in kabli pod napetostjo lahko povzroči smrt zaradi električnega udara ali hude telesne poškodbe.

**⚠ OPOZORILO:** tudi če se dodobra seznanite s tem izdelkom, bodite pri ravnanju z njim pazljivi. Upoštevajte, da je samo delček sekunde nepazljivosti dovolj, da pride do hude telesne poškodbe.

**⚠ OPOZORILO:** vedno uporabljajte zaščito za oči. V nasprotnem primeru vam lahko v oči priletijo predmeti ali pride do drugih hudih telesnih poškodb.

**⚠ OPOZORILO:** ne uporabljate priključkov ali dodatkov, ki jih proizvajalec EGO™ ne priporoča. Uporaba priključkov ali dodatkov, ki niso priporočeni, lahko povzroči hude telesne poškodbe.

## NAMENI UPORABE

Ta izdelek lahko uporabljate za obrezovanje žive meje, grmov, grmičevja in podobnih materialov s premerom vej do Ø26 mm.

## UPORABA OBREZOVALNIKA ŽIVE MEJE S TELESKOPSKO POGONSKO PALICO

**⚠ OPOZORILO:** za upravljanje tega orodja se primerno oblecite, da zmanjšate nevarnost telesnih poškodb. Ne nosite ohlapnih oblačil ali nakita. Uporabljajte zaščito za oči in ušesa. Nosite robustne dolge hlače, škornje in rokavice. Ne nosite kratkih hlač, sandal in ne bodite bos.

## PRIPRAVA ZA OBREZOVANJE:

1. Glavo za rezanje nastavite v želeni delovni položaj.
2. Z rezila odstranite zaščito za rezilo.
3. Za varno in boljše upravljanje si preko rame nadenite ramenski pas. Ramenski pas nastavite v udoben položaj za upravljanje. Pri namestitvi ramenskega pasu na pogonsko palico upoštevajte navodila v razdelku »**NAMESTITEV RAMENSKEGA PASU**« v uporabniškem priročniku pogonske palice PPX1000.

**⚠ OPOZORILO:** ramenski pas je tudi hiter mehanizem za sprostitev v nevarnih situacijah. V nujnih primerih ga nemudoma snemite z rame, ne glede na to, kako je vstavljen.

**⚠ OPOZORILO:** obrezovalnik žive meje s podaljšanim dosegom vedno upravljajte z obema rokama. Obrezovalnik žive meje s podaljšanim dosegom držite z obema rokama, da preprečite izgubo nadzora. Upoštevajte navodila v razdelku »**DRŽANJE TELESKOPSKE POGONSKE PALICE**« v uporabniškem priročniku PPX1000.

## DELOVNE TEHNIKE

Vodoravno rezanje (z glavo za rezanje pod kotom)

Obrezujte v stoječem položaju tik nad tlemi, npr. za obrezovanje nizkega grmičevja.

Glavo za rezanje premikajte desno in levo, medtem ko se pomikate vzdolž žive meje – uporabljajte obe strani rezila in rezila ne odlagajte na tla (slika H).

### Vodoravno rezanje (z ravno glavo za rezanje)

Glavo za rezanje držite pod kotom 0° ter obrezovalnik žive meje premikajte vodoravno. Glavo za rezanje premikajte v loku proti zunanji strani žive meje, tako da odrezan material pada na tla (sl. I).

**Priporočilo:** v tem delovnem položaju obrezujte živo mejo, ki ni višja od višine vašega prsnega koša.

SL



### Navpično rezanje (z glavo za rezanje pod kotom)

Obrezujte tako, da ne stojite neposredno ob živi meji, med upravljalcem in živo mejo naj bo npr. cvetlična greda.

V tem položaju obrezovanja je za boljši nadzor nad obrezovalnikom žive meje priporočljivo, da obrezovalnik žive meje z glavo za rezanje priključite v stranski položaj rezanja.

Glavo za rezanje premikajte rahlo gor in dol v loku, medtem ko se pomikate vzdolž žive meje – uporabljajte obe strani rezila (slika J).

### Navpično rezanje (z ravno glavo za rezanje)

Zelo dolg doseg brez pomoči drugih pripomočkov. Glavo za rezanje premikajte rahlo gor in dol v loku, medtem ko se pomikate vzdolž žive meje – uporabljajte obe strani rezila (slika K).

### Rezanje nad glavo (z glavo za rezanje pod kotom):

Obrezovalnik žive meje držite navpično in ga premikajte v loku, da maksimalno izkoristite njegov doseg (sl. L1 in L2). Pri zelo visoki živi meji si lahko pri rezanju pomagata z razširitveno palico.

**⚠ OPOZORILO:** vsak delovni položaj nad višino glave je utrujajoč. Za zmanjšanje tveganja nezgod v teh položajih delajte le kratek čas. Kot nastavljive glave za rezanje nastavite na največjo vrednost, da lahko orodje držite v nižjem, manj utrujajočem položaju (z ramenskim pasom), obenem pa imate še vedno ustrezen doseg.

### ZAGON/ZAUSTAVITEV ORODJA

Glejte razdelek »ZAGON/ZAUSTAVITEV TELESKOPSKE POGONSKE PALICE« v uporabniškem priročniku pogonske glave PPX1000.

### VZDRŽEVANJE

**⚠ OPOZORILO:** za popravila uporabljajte le identične nadomestne dele. Stroj redno pregledujte in vzdržujte. Za zagotovitev varnosti in zanesljivosti mora vsa popravila izvesti usposobljen servisni tehnik.

**⚠ OPOZORILO:** pred pregledom, čiščenjem ali popravilom enote zaustavite motor, počakajte, da se zaustavijo vsi premikajoči se deli, in odstranite baterijski sklop. Neupoštevanje teh navodil lahko povzroči hude telesne poškodbe ali materialno škodo.

**⚠ OPOMBA:** pred vsako uporabo celoten izdelek pregledajte za poškodovane, manjkajoče ali zrahljanje dele, kot so vijaki, matice, pokrovi itd. Vsa zapirala in pokrove trdno privijte in izdelka ne uporabljajte dokler ne zamenjate

manjkajočih ali poškodovanih delov. Obrnite se na službo za pomoč strankam ali kvalificiranega serviserja.

### SPLOŠNO VZDRŽEVANJE

Pri čiščenju plastičnih delov ne uporabljajte topil. Večina vrst plastike se lahko pri uporabi različnih komercialnih topil poškoduje. Umazanijo, prah, olje, maščobe itd. odstranite s čisto krpo.

### ČIŠČENJE PRIKLJUČKA Z OBREZOVALNIKOM ŽIVE MEJE

1. Ustavite motor in odstranite baterijski sklop.
2. Z vlažno krpo in blagim detergentom s priključka z obrezovalnikom žive meje odstranite umazanijo in ostanke.

**OPOMBA:** za čiščenje plastičnega ohišja ali ročaja ne uporabljajte močnih čistilnih sredstev. Poškodujejo ga lahko določena aromatična olja, kot sta olje bora in limone.

### SHRANJEVANJE PRIKLJUČKA Z OBREZOVALNIKOM ŽIVE MEJE

1. Motor izklopite in iz teleskopske pogonske palice odstranite baterijski sklop.
2. Priključek z obrezovalnikom žive meje odstranite iz teleskopske pogonske palice.
3. S priključka z obrezovalnikom žive meje očistite vse tujke.
4. Napravo shranjujte v prostoru, ki je nedostopen otrokom.
5. Ne shranjujte je v bližini korozivnih sredstev, kot so vrtna kemikalije in soli za taljenje ledu.

### MENJAVA REZILA

**⚠ OPOZORILO:** Pri rokovanju z rezilom vedno nosite rokavice. Ta sestavni del je zelo oster in lahko vsebuje igle.

1. Izklopite orodje in odstranite baterijski sklop.
2. Rezilo nastavite v vodoraven položaj, pri tem pa zagotovite, da je sklop rezila poravnat z osjo obrezovalnika žive meje, kar olajša namestitvev (sl. M).

M-1	Vijak št. 1 (kratki vijaki)	M-6	Puša
M-2	Spodnji pokrov	M-7	Vijak št. 2 (dolgi vijaki)
M-3	Podporna plošča št. 3	M-8	Podporna plošča št. 2
M-4	Povezovalna ročica	M-9	Sklop rezila
M-5	Podporna plošča št. 1	M-10	Ekcentrični blok

3. S pomočjo imbusnega ključa (ni priložen) odvijte 6 vijakov št. 1 (kratkih vijakov) na spodnjem pokrovu in jih odstranite.
4. Nadaljujte z odvijanjem 2 vijakov št. 2 (dolgih vijakov), da odstranite podporni plošči št. 1 in št. 2 ter 2 puši. Dve puši se ločeno nahajata v dveh zaokroženih pravokotnih režah v sklopu rezila.
5. Odstranite podporno ploščo št. 3.
6. Z rezila previdno odstranite povezovalno ročico.
7. Z orodja odstranite sklop rezila in poskrbite, da položaj sklopa ekcentričnega bloka ostane nespremenjen.
8. Notranjo izboklino na novem sklopu rezila poravnajte z odprtino v povezovalni ročici, tako da nov sklop rezila namestite na ustrezno mesto.
9. Dve puši ločeno namestite v dve zaokroženi pravokotni odprtini.
10. Najprej namestite podporno ploščo št. 1 in nato še podporno ploščo št. 2.
11. Notranje odprtine v rezilu in pušah ter odprtine v podpornih ploščah naj bodo poravnane z odprtinami za vijake v ohišju zobnikov. V poravnane odprtine namestite 2 dolga vijaka in ju nato čvrsto privijte.
12. Zgornje rezilo rahlo premaknite naprej in nazaj ter preverite, ali se lahko prosto giblje. Če se ne, popravite namestitve rezil, tako da se zgornje rezilo lahko prosto premika.
13. Namestite novo povezovalno ročico.
14. Odprtino podpomo plošče št. 3 poravnajte z izboklino na ekcentričnem bloku, da podporno ploščo namestite na mesto. Pri tem poskrbite, da se plošča nahaja točno na sredini in je poravnana z obema robovoma.
15. Spodnji pokrov namestite na ohišje zobnikov in ga privijte s 6 kratkimi vijaki.

## MAZANJE REZILA (sl. N)

Za najboljše delovanje in daljšo življenjsko dobo rezila, obrezovalnik žive meje po vsaki uporabi namažite z oljem proti rjavemu. ODPRTINE ZA OLJE Z OLJEM NE NAPOLNITE POVSEM.

1. S pomočjo imbusnega ključa (ni priložen) odstranite vijak odprtine za olje.

N-1	Vijak odprtine za olje
-----	------------------------

2. Skozi mazalno odprtino v ohišju zobnikov vbrizgajte 5 g masti.
3. Ko končate, privijte vijak.

## MAZANJE POGONSKIH ZOBNIKOV

Za najboljše delovanje in daljšo življenjsko dobo pogonske zobnike priključka z obrezovalnikom žive meje vsakih 100 obratovnih ur namažite s posebno mastjo.

Mast mora biti skladna z naslednjimi zahtevami:

- Prodiranje razreda NLGI: NLGI-2;
- Vrsta zgoščevalca: poliurea
- Priporočena obratovalna temperatura: od -40 °C do 180 °C
- Če uporabite drugo mast, mora biti strižno stabilna z izjemnimi tlačnimi karakteristikami ter odličnimi lastnostmi proti obrabi, imeti pa mora tudi popolno oksidacijsko stabilnost.

Za polnjenje z mastjo upoštevajte spodnje korake:

1. Izklopite orodje in odstranite baterijski sklop.
2. S pomočjo imbusnega ključa (ni priložen) odvijte in odstranite 3 kratke vijake (O-1) na pokrovu motorja (O-2) in nato snemite pokrov motorja (sl. O).

O-1	Kratek vijak	O-5	Podložka
O-2	Pokrov motorja	O-6	Ohišje zobnikov
O-3	Kratek vijak	O-7	Planetarni zobniki
O-4	Motor		

3. Odvijte 3 kratke vijake (O-3) na motorju in nato odstranite motor in podložko.
4. S pomočjo mazalne pištole (ni priložena) 5 g masti vbrizgajte v središče treh zgornjih planetarnih zobnikov (O-7), ki se nahajajo v ohišju zobnikov.

**OPOMBA:** zagotovite, da položaj drugih delov v okolici ohišja zobnikov ostane nespremenjen med vbrizgavanjem.

5. Podložko in motor ponovno sestavite, tako da privijete 3 kratke vijake (O-3).
6. Ponovno namestite pokrov motorja, tako da privijete 3 kratke vijake (O-1).
7. Zaženite orodje in preverite, ali normalno deluje. Če ne, ga razstavite v skladu z zgornjimi koraki.

**OPOMBA:** ko odstranite pokrov motorja, očistite prah okoli motorja.

## Varovanje okolja



Električne opreme, polnilnika baterij in baterij/polnilnih baterij, ne odvrzite med gospodinjske odpadke!

## ODPRAVLJANJE TEŽAV

TEŽAVA	VZROK	REŠITEV
Obrezovalnik žive meje ne deluje.	<ul style="list-style-type: none"> <li>■ Med obrezovalnikom in baterijo ni električnega stika.</li> <li>■ Baterijski sklop je izprazen.</li> <li>■ Vklpila se je zaščita baterijskega sklopa ali orodja pred pregrevanjem.</li> <li>■ Rezilo je zagodeno.</li> </ul>	<ul style="list-style-type: none"> <li>■ Odstranite baterijo, preverite kontakte in ponovno namestite baterijski sklop.</li> <li>■ Napolnite baterijski sklop.</li> <li>■ Počakajte, da temperatura baterijskega sklopa ali pogonske palice pade pod 67 °C.</li> <li>■ Baterijski sklop odstranite iz orodja. Oviro previdno odstranite, nato ponovno vstavite baterijo in zaženite orodje.</li> </ul>
Prevelike vibracije ali hrup.	<ul style="list-style-type: none"> <li>■ Suha ali razjedena rezila.</li> <li>■ Rezilo ali podpora za rezilo je upognjena.</li> <li>■ Zobniki so upognjeni ali poškodovani.</li> <li>■ Zrahljani vijaki rezila.</li> </ul>	<ul style="list-style-type: none"> <li>■ Namažite rezila.</li> <li>■ Namestite novo rezilo ali podporo, pri tem pa upoštevajte navodila v razdelku »ZAMENJAVA REZILA« v tem priročniku oziroma se za zamenjavo obrnite na servisni center EGO.</li> <li>■ Namestite novo rezilo, pri tem pa upoštevajte navodila v razdelku »ZAMENJAVA REZILA« v tem priročniku oziroma se za zamenjavo obrnite na servisni center EGO.</li> <li>■ Privijte vijake rezila. S pomočjo imbus ključa (ni priložen) vijak obrnite v smeri urnega kazalca, da ga privijete.</li> </ul>

**SL**

## GARANCIJA

### GARANCIJSKA POLITIKA DRUŽBE EGO

Za popolne pogoje garancijske politike družbe EGO obiščite spletno mesto [egopowerplus.com](http://egopowerplus.com).

## PERSKAITYKITE VISĄ INSTRUKCIJĄ!



### PERSKAITYKITE NAUDOJIMO INSTRUKCIJĄ

**⚠ Liekamasis pavojus!** Žmonėms, kuriems implantuoti elektroniniai prietaisai, pvz., širdies stimulatoriai, prieš pradėdami naudoti šį gaminį, reikia pasitarti su savo gydytoju (-ais). Arti širdies stimulatoriaus veikianti elektros įranga gali trikdyti širdies stimulatoriaus veikimą arba jį sugadinti.

**⚠ ĮSPĖJIMAS:** norint užtikrinti saugų ir patikimą gaminio naudojimą, visus remonto ir keitimo darbus turi atlikti kvalifikuotas techninės priežiūros specialistas.

## SAUGOS SIMBOLIS

Saugos simbolių paskirtis – atkreipti dėmesį į galimus pavojus. Gerai susipažinkite su saugos simboliais bei jų paaiškinimais ir juos išsidėmkite. Simbolių įspėjimai patys savaime negali apsaugoti nuo pavojų. Jais žymimi nurodymai ir įspėjimai neatstoja tinkamų nelaimingų atsitikimų prevencijos priemonių.

**⚠ ĮSPĖJIMAS:** Prieš pradėdami naudoti šį įrankį, perskaitykite visus šioje naudojimo instrukcijoje pateiktus saugos nurodymus, taip pat susipažinkite su visais saugos įspėjamaisiais simboliais, tokiais kaip **PAVOJUS**, **ĮSPĖJIMAS** ir **DĖMESIO** ir įsitikinkite, ar juos supratote. Nesilaikant visų toliau išdėstytų nurodymų galima patirti elektros smūgį, sukelti gaisrą ir (ar) sunkiai susižaloti.

LT

## SIMBOLIO REIŠMĖ

**⚠ SAUGOS ĮSPĖJAMASIS SIMBOLIS:** Reiškia **PAVOJŲ**, **ĮSPĖJIMĄ**, ar **ATSARGUMO PRIEMONES** ir gali būti panaudotas su kitais simboliais arba piktogramomis.



**⚠ ĮSPĖJIMAS:** bet koks elektrinis įrankis naudojimo metu gali išsviesti šiukšles, kurios gali pataikyti į akis ir sunkiai jas sužaloti. Prieš pradėdami naudoti elektrinį įrankį, visada užsidėkite apsauginius akinius arba apsauginius akinius su šonine apsauga ir, jei reikia, visą veidą dengiantį skydelį. Rekomenduojame naudoti platų matymo lauką užtikrinančią apsauginę kaukę, dedamą ant akinių, arba standartinius apsauginius akinius su šonine apsauga.

## SAUGOS NURODYMAI

Šiame puslapyje pavaizduoti ir aprašyti saugos simboliai, kurie gali būti nurodyti ant šio gaminio. Prieš bandydami surinkti ir naudoti įrenginį, perskaitykite visus ant jo pateiktus nurodymus, įsitikinkite, ar juos supratote, ir jais vadovaukitės.

	Saugos įspėjimas	Nurodo galimą susižalojimo pavojų.
	Skaityti naudojimo instrukciją	Norėdamas sumažinti susižalojimo pavojų, naudotojas privalo perskaityti naudojimo instrukciją.
	Laikykitės pakankamu atstumu nuo elektros linijų	Kad negautumėte elektros smūgio, nedirbkite arčiau nei 15 m nuo elektros oro linijų. Palietę elektros liniją arba dirbdami šalia jos galite gauti elektros smūgį ir susižeisti arba žūti.
	Triukšmas	Garantuojamas garso galios lygis. Triukšmo sklaida į aplinką atitinka Europos Bendrijos direktyvą.
	CE	Šis gaminys atitinka taikomas EB direktyvas.
	WEEE	Elektros prietaisų atliekas draudžiama utilizuoti kartu su buitinėmis atliekomis. Pristatyti įgalotam perdirbėjui.
	Rankas ir pėdas laikykite atokiau nuo pjovimo įrankio	Niekada nebandykite dirbti su elektriniu įrankiu viena ranka. Praradus elektrinio įrankio kontrolę galite sunkiai ar mirtinai susižeisti. Norėdami sumažinti pjautinių traumų pavojų, rankas ir pėdas laikykite toliau nuo pjovimo įrankio. Niekada nesilieskite prie judančio pjovimo įrankio rankomis ar kita kūno dalimi.
	Dėvėkite akių ir galvos apsaugos priemones	Dirbdami su šiuo prietaisu visada dėvėkite akių ir galvos apsaugos priemones.

IPX5	IP simbolis	5 klasės apsauga nuo vandens patekimo
V	Voltai	Įtampa
mm	Milimetrai	Ilgis arba dydis
cm	Centimetrai	Ilgis arba dydis
kg	Kilogramai	Svoris
	Nuolatinė srovė	Srovės tipas arba charakteristika

### GYVATVORIŲ ŽIRKLIŲ SAUGOS ĮSPĖJIMAI

- **Visas kūno dalis laikykite atokiau nuo gyvatvorės žirklių ašmenų.** Kai ašmenys juda, nebandykite išimti nupjautų šakelių arba jas laikyti pjovimo metu. Kai šalinatė užstrigusias šakeles, įsitinkinkite, kad jungiklis yra išjungtas. Neatidžiai dirbdami su gyvatvorių žirkliėmis galite sunkiai susižaloti.
- **Gyvatvorių žirkles neškite už rankenos, esant išjungtomis žirklių ašmenimis.** Kai gabenatė arba sandėliuojatė gyvatvorių žirkles, visada uždėkite ašmenų gaubtą. Tinkamas gyvatvorių žirklių naudojimas sumažins galimą susižalojimą į pjovimo ašmenis.
- **Kai gabenatė arba sandėliuojatė gyvatvorių žirkles, visada uždėkite ašmenų gaubtą.** Tinkamai naudojant gyvatvorių žirkles, sumažinamas susižalojimo ašmenimis pavojus.
- **Šalindami užstrigusias šakeles arba atlikdami įtaiso techninę priežiūrą įsitinkinkite, kad visi maitinimo jungikliai išjungti, o akumuliatorius išimtas bei atjungtas.** Jei gyvatvorių žirkles netikėtai įsijungia, valant užstrigusias šiukšles ar atliekant techninės priežiūros procedūras, galite sunkiai susižaloti.
- **Prieš šalinant užstrigusias šiukšles ar atliekant įtaiso techninę priežiūrą patikrinkite, ar visi maitinimo jungikliai išjungti ir įjungtas užraktas.** Jei gyvatvorių žirkles netikėtai įsijungtų valant užstrigusias šiukšles ar atliekant techninės priežiūros procedūras, galite sunkiai susižaloti.
- **Gyvatvorių žirkles laikykite paėmę tik už izoliuotų paviršių, nes žirklių ašmenys gali prisiliesti prie paslėptų elektros laidų.** Ašmenis priilietus prie laido su tekančia elektros srove, jį gali pradėti tekėti kitomis metalinėmis įrankio dalimis, ir tuomet naudotojas gali patirti elektros smūgį.
- **Pasirūpinkite, kad pjovimo teritorijoje nebūtų jokių maitinimo laidų.** Maitinimo laidai ar kabeliai gali būti pasislėpę gyvatvorėse arba krūmuose ir žirklys gali juos atsiktinai įpjauti.
- **Gyvatvorės žirkliėmis nedirbkite prastu oru, ypač esant žaibo pavojui.** Laikantis šios taisyklės, sumažėja žaibo smūgio pavojus.

### GYVATVORĖS ŽIRKLIŲ SU ILGINAMAJA RANKENA PAPILDOMA SAUGOS INSTRUKCIJA

- **Siekdami sumažinti elektros smūgio riziką, niekada nenaudokite gyvatvorės žirklių su ilginamąja rankena prie elektros linijų.** Palietę elektros liniją arba dirbdami šalia jos galite gauti elektros smūgį ir susižeisti arba žūti.
- **Dirbdami su gyvatvorės žirkliėmis su ilginamąja rankena visada laikykite jas abiem rankomis.** Gyvatvorės žirkles su ilginamąja rankena laikykite abiem rankomis, kad neprarastumėtė jos valdymo.
- **Dirbdami su gyvatvorės žirkliėmis su ilginamąja rankena išskeltomis rankomis visada dėvėkite galvos apsaugą.** Krintančios liekanos gali rimtai sužaloti.
- **Prieš kirpimą, patikrinkite gyvatvorę ar nėra pašalinių objektų, pvz., vielinės tvoros ir paslėptų laidų.**
- **Elektrinį įrankį laikykite tik už izoliuoto laikymo paviršiaus.**
- **Gyvatvorės žirklys skirtos naudoti ant žemės, o ne ant kopėčių ar bet kokių kitų nestabilių atramų.**
- **Naudokite su A2 pav. pavaizduotu akumuliatoriumi ir įkrovikliams.**

### IŠSAUGOKITE ŠIĄ INSTRUKCIJĄ

### PAPILDOMAS SAUGOS TAISYKLES GALITE RASTI NAUDOJAMO ĮTAISO NAUDOJIMO INSTRUKCIJOJE.

### TECHNINIAI DUOMENYS

Ašmenų ilgis	510 mm
Pjovimo pajėgumas	26 mm
Rekomenduojama darbinė temperatūra	Nuo 0 °C iki 40 °C
Rekomenduojama sandėliavimo temperatūra	Nuo -20 °C iki 70 °C
Svoris	2,67 kg
Išmatuotas garso galios lygis $L_{WA}$	93,75 dB(A) K=1,7 dB(A)
Garso slėgio lygis ties naudotojo ausimi $L_{PA}$	83 dB(A) K=3 dB(A)
Garantuojamas garso galios lygis $L_{WA}$ (išmatuotas pagal 2000/14/EB)	95 dB(A)

LT

Vibracijos vertė $a_n$	Priekinė rankena	1,3 m/s <sup>2</sup> K=1,5 m/s <sup>2</sup>
	Galinė rankena	1,5 m/s <sup>2</sup> K=1,5 m/s <sup>2</sup>

- Pirmiau nurodyti parametrai išbandyti ir išmatuoti naudojant elektrinį strypą PPX1000.
- Nurodyta bendroji vibracijos vertė išmatuota taikant standartinį bandymo metodą, todėl pagal ją galima palyginti skirtingus įrankius.
- Nurodytą bendrąją vibracijos vertę taip pat galima naudoti pirminiam poveikio vertinimui.

**PASTABA:** Naudojant įrenginį realiomis sąlygomis, sklaidžiamos vibracijos stiprumo vertė gali skirtis nuo nurodytos. Kad apsisaugotų dirbdamas realiomis sąlygomis, naudotojas turi mūvėti pirštines ir naudoti klausos apsaugos priemones.

## APRAŠYMAS

### SUŽINOKITE APIE SAVO GYVATVORĖS ŽIRKLIŲ PRIEDĄ (A1 pav.)

1. Galinė įvorė
2. Priekinė įvorė
3. Variklio gaubtas
4. Ašmenų dėklas
5. Ašmenys

### PAKUOTĖS TURINIO SĄRAŠAS (A2)

## LT SURINKIMAS

**⚠️ ĮSPĖJIMAS:** jei kurios nors dalys pažeistos arba jų nėra, nenaudokite šio gaminio tol, kol tos dalys nebus pakeistos. Naudojant šį gaminį su pažeistomis dalimis arba kai jų trūksta, galima sunkiai susižaloti.

**⚠️ ĮSPĖJIMAS:** Montuojant gaminio dalis, atliekant jo pakeitimus, jį valant arba jo nenaudojant, akumuliatorius visada turi būti išimtas.

### PJOVIMO GALVUTĖS KAMPO PRITAIKYMAS

Kai išimsite gyvatvorės žirklių priedą iš pakuotės, jį bus sulankstyta laikymo padėtyje (B pav.). Pjovimo galvutės lankstymo kampą ir radialinį sukimašį galima pritaikyti atskirai. Prieš pradėdami darbą, pakreipkite pjovimo galvutę į tinkamą darbinę padėtį.

### Lankstymo kampo pritaikymas

Yra 6 darbinės padėtys. Pjovimo ašmenų kampą galima keisti nuo -68° iki 42° (C pav.).

1. Patraukite atgal priekinę įvorę ir tvirtai laikykite variklio gaubtą, kad galėtumėte pasukti pjovimo kampą į pageidaujamą padėtį.

C-1	Priekinė įvorė
C-2	Galinė įvorė

2. Kai nustatysite pageidaujamą kampą, pastumkite įvorę į priekį, kad užfiksuotumėte pjovimo galvutės padėtį.

### Radialinio sukimosi pritaikymas

Yra dvi vertikalaus pjovimo padėtys (D pav.). Jas galima nustatyti 90° kampu į kairę arba į dešinę.

1. Patraukite galinę įvorę atgal ir tvirtai laikykite variklio gaubtą, kad galėtumėte pasukti ašmenis į norimą padėtį.
2. Kai nustatysite pageidaujamą kampą, pastumkite įvorę į priekį, kad užfiksuotumėte pjovimo galvutės padėtį.

**⚠️ ĮSPĖJIMAS:** Siekdami išvengti sužalojimų, išimkite akumuliatorių prieš reguliuodami ir darykite tai tik tada, kai ašmenys išjungti. Reguluodami niekada nelieskite ašmenų.

**⚠️ ĮSPĖJIMAS:** Metalinis reduktoriaus korpusas yra karštas. Nelieskite metalinio reduktoriaus korpuso paviršiaus be apsauginių pirštinių.

### GYVATVORĖS ŽIRKLIŲ ĮTAISO PRIJUNGIMAS / ATJUNGIMAS NUO TELESKOPINIO ELEKTRINIO STRYPO (E pav.)

Šis gyvatvorės žirklių įtaisas skirtas naudoti su EGO teleskopiniu elektriniu strypu PPX1000.

Kaip prijungti gyvatvorės žirkles prie elektrinio strypo skaitykite teleskopinio elektrinio strypo PPX1000 naudojimo instrukcijos „ĮTAISO PRIJUNGIMAS PRIE TELESKOPINIO ELEKTRINIO STRYPO“ dalyje.

Kaip atjungti gyvatvorės žirkles nuo elektrinio strypo, skaitykite teleskopinio elektrinio strypo PPX1000 naudojimo instrukcijos „ĮTAISO ATJUNGIMAS NUO TELESKOPINIO ELEKTRINIO STRYPO“ dalyje.

### SMAIGALIO APSAUGOS MONTAVIMAS (pasirenkamas)

1. Veržliarakčių (nepriedamas) išsukite trumpą varžtą, nuimkite plokščią poveržlę, įvorę ir veržlę, esančius pjovimo ašmenų gale. Pasidėkite plokščią poveržlę, įvorę ir veržlę vėlesniam surinkimui (F pav.).

F-1	Veržlė	F-3	Plokščia poveržlė
F-2	Ivorė	F-4	Trumpas varžtas

2. Sutapdinkite galo apsaugos elementą su išsikišimu ant pjovimo ašmenų ir uždėkite jį. Pritvirtinkite elementą nauju ilgu varžtu ir veržle bei išsaugota poveržle, įvore ir veržle (G pav.).

G-1	Veržlė	G-4	Ivorė
G-2	Smaigalio apsauga	G-5	Plokščia poveržlė
G-3	Veržlė	G-6	Ilgas varžtas

## DARBAS

**⚠ PAVOJUS:** Griežtai draudžiama pjauti šalia elektros linijų, elektros laidų arba kitų elektros įtampos šaltinių. Jeigu pjovimo ašmenys įstrigtų elektros laide arba linijoje, **JOKIU BŪDU NELIESKITE AŠMENŲ ARBA ALIUMININIO STRYPO! JAIS GALI TEKĖTI ELEKTROS SROVĖ, TAI GALI BŪTI LABAI PAVOJINGA.** Laikykite gyvatvorių žirkles už izoliuotos rankenos arba saugiau jas padėkite toliau nuo savęs. Prieš bandydami išlaisvinti ašmenis atjunkite maitinimo laidą arba elektros tiekimo liniją. Palietę ašmenis, kitas elektrai laidžias gyvatvorių žirklių dalis, elektros laidus ar linijas, kuriomis teka srovė, galite patirti elektros iškvapą ir žūti arba sunkiai susižeisti.

**⚠ ĮSPĖJIMAS:** Mokėjimas naudotis šiuo įrankiu nesuteikia teisės dirbti nerūpestingai. Atsiminkite, kad trumpam atitraukę dėmesį galite sunkiai susižeisti.

**⚠ ĮSPĖJIMAS:** Visada būkite su apsauginiais akiniais. Nesilaikant šio nurodymo į akis gali pataikyti išsviestos šiukšlės arba galite kitaip sunkiai susižeisti.

**⚠ ĮSPĖJIMAS:** Nenaudokite jokių priedų arba įtaisų, kurių nerekomendavo gamintojas EGO™. Naudojant nerekomenduojamus papildomus įtaisus arba priedus galima sunkiai susižeisti.

## NAUDOJIMAS

Šį gaminį galite naudoti apkirpti gyvatvorėms, krūmokšniams, krūmams ir panašioms augalams, kurių šakų storis neviršija Ø26 mm.

## GYVATVORIŲ ŽIRKLIŲ NAUDOJIMAS SU TELESKOPINIŲ ELEKTRINIŲ STRYPU

**⚠ ĮSPĖJIMAS:** Dirbdami su šiuo įrankiu tinkamai apsirenkite, kad sumažintumėte traumų pavojų. Nedėvėkite laisvų drabužių ir nenešioti laisvai kabančių papuošalų. Būkite užsidėję akių ir ausų / klausos organų apsaugos priemonės. Mūvėkite tvirtos medžiagos ilgas kelnes ir pirštines, avėkite tinkamus batus. Nedirbkite su trumpomis kelnėmis, su sandalais ar basomis.

## PASIRUOŠIMAS PJAUTI:

1. Sureguliuokite pjovimo galvutę į reikiamą darbinę padėtį.
2. Nuo pjovimo ašmenų nuimkite dėklą.
3. Kad dirbti būtų saugu ir patogiau, peties diržą užsidėkite skersai peties. Pareguliuokite diržą per petį, kad jis būtų patogioje darbinėje padėtyje. Laikydami instrukcijų, pateiktų PPX1000 naudotojo vadovo skyriuje „PETIES DIRŽO TVIRTINIMAS“, pritvirtinkite peties diržą prie elektrinio strypo.

**⚠ ĮSPĖJIMAS:** Peties diržas taip pat yra greitai atjungiamas mechanizmas pavojingoje situacijoje. Susidarius kritinei situacijai nedelsiant nuimkite peties diržą, nepaisydami to, kokiaje padėtyje jis yra.

**⚠ ĮSPĖJIMAS:** Dirbdami su gyvatvorės žirkėmis su ilginamąją rankena visada laikykite jas abiem rankomis. Gyvatvorės žirkles su ilginamąja rankena laikykite abiem rankomis, kad neprarastumėte jos valdymo. Laikykite vadovaudamiesi PPX1000 naudotojo vadovo skyriuje „TELESKOPINIO ELEKTRINIO STRYPO LAIKYMAS“ nurodytomis instrukcijomis.

## DARBO METODAI

### Pjovimas horizontaliai (kai pjovimo galvutė palenкта kampu)

Stovėdami pjaukite arti žemės paviršiaus, pvz., trumpinant žemus krūmokšnius.

Eidami išilgai gyvatvorės mosuokite pjovimo ašmenimis į kairę ir į dešinę – pjaukite abiem pjovimo ašmenų pusėmis ir neatremkite pjovimo ašmenų ant žemės (H pav.).

### Pjovimas horizontaliai (tiesiais pjovimo ašmenimis)

Lėtai mosuodami gyvatvorių žirkėmis horizontaliai laikykite pjovimo ašmenis pakreipę 0° kampu. Mosuokite pjovimo ašmenimis lanku link gyvatvorės išorės taip, kad nuopjovos kristų ant žemės (I pav.).

**Rekomendacija:** Šioje darbinėje padėtyje pjaukite tik tokias gyvatvoves, kurios ne aukštesnės, kaip iki krūtinės.

Pjovimas vertikaliai (kai pjovimo ašmenys palenkti kampu)

### Pjovimas nestovint tiesiai prie gyvatvorės, pvz., kai tarp naudotojo ir gyvatvorės yra gėlių lysvė.

Kad geriau valdytumėte gyvatvorių žirkles šioje pjovimo padėtyje, rekomenduojama prie gyvatvorių žirklių prijungti pjovimo galvutę šoninio pjovimo padėtyje.

Eidami išilgai gyvatvorės mosuokite pjovimo ašmenimis lanku aukštyn ir žemyn – pjaukite abiem pjovimo ašmenų pusėmis (J pav.).

## Pjovimas vertikaliai (tiesiais pjovimo ašmenimis)

Pasieksite ypač toli be jokių papildomų priedų. Eidami išilgai gyvatvorės mosuokite pjovimo ašmenimis lanku aukštyn ir žemyn – pjaukite abiem pjovimo ašmenų pusėmis (K pav.).

## Pjovimas virš galvos (kai pjovimo ašmenys palenkti kampu)

Laikydami gyvatvorių žirkles vertikaliai mosuokite jomis lanku, kad maksimaliai išnaudotumėte mostą (L1 ir L2 pav.). Kai gyvatvorė itin aukšta, ją apipjauti padės pailginimo kotas.

**⚠️ ĮSPĖJIMAS:** Bet kokia darbinė padėtis virš galvos aukščiau yra varginanti. Norėdami sumažinti nelaimingų atsitikimų pavojų tokiose padėtyse, dirbkite tik trumpais laiko intervalais. Reguluojamų ašmenų kampą nustatykite į aukščiausią padėtį taip, kad įrankį būtų galima laikyti žemesnėje, mažiau varginančioje padėtyje (naudojant peties diržą) ir kartu užtikrinti tinkamą mostą.

## KAIP PALEISTI IR SUSTABDYTI ĮRANKĮ

Žr. elektrinės galvutės PPX1000 naudojimo instrukcijos skyrių „TELESKOPINIO ELEKTRINIO STRYPO PALEIDIMAS IR STABDYMAS“.

## TECHNINĖ PRIEŽIŪRA

**⚠️ ĮSPĖJIMAS:** Atlikdami techninės priežiūros darbus, naudokite tik identiškas atsargines dalis. Įrenginį reguliariai tikrinkite ir techniškai prižiūrėkite. Norint užtikrinti saugumą ir patikimumą, visus remonto darbus turi atlikti kvalifikuotas techninės priežiūros specialistas.

**⚠️ ĮSPĖJIMAS:** Prieš tikrindami, valydami įrankį ar atlikdami techninę jo priežiūrą sustabdykite variklį, palaukite, kol sustos visos judančios dalys, ir išimkite akumuliatorių. Nesilaikydami šių instrukcijų galite sunkiai arba net mirtinai susižaloti, sugadinti turtą.

**⚠️ PASTABA:** Kaskart prieš naudodami gaminį visą jį patikrinkite, ar nesugadintas, ar netrūksta dalių, pavyzdžiui, sraigčių, veržlių, varžtų, dangtelių ir t. t., ar jos neatsilaisvinę. Patikimai priveržkite visas tvirtinimo detales ir dangtelius ir nenaudokite šio gaminio, kol nepakeisite visų trūkstančių ar sugadintų dalių. Susisiekiate su klientų aptarnavimo centru arba kvalifikuotu techninės priežiūros specialistu.

## BENDROJI PRIEŽIŪRA

Plastikinių dalių nevalykite tirpikliais. Įvairūs komerciniai tirpikliai gali pažeisti įvairių tipų plastiką ir jų naudoti nerekomenduojama. Purvą, dulkes, alyvą, tepalus ir t. t. valykite švaria šluoste.

## GYVATVORĖS ŽIRKLIŲ ĮTAISO VALYMAS

1. Išjunkite variklį ir išimkite akumuliatorių.
2. Drėgna šluoste ir švelniu plovikliu nuo gyvatvorės žirklių nuvalykite nešvarumus ir liekanas.

**PASTABA:** Plastikinėms korpuso arba rankenos dalims valyti nenaudokite jokių koncentruotų ploviklių. Kai kurios arotarinės alyvos (pušies arba citrinų kvapo) gali jas sugadinti.

## GYVATVORĖS ŽIRKLIŲ ĮTAISO LAIKYMAS

1. Išjunkite teleskopinio elektrinio strypo variklį ir nuimkite akumuliatorių.
2. Nuimkite gyvatvorės žirklių įtaisą nuo teleskopinio elektrinio strypo.
3. Nuo gyvatvorės žirklių įtaiso nuvalykite visas pašalines medžiagas.
4. Laikykite vaikams nepasiekiamoje vietoje.
5. Laikykite atokiau nuo koroziją sukeliančių medžiagų, tokių, kaip sodo chemikalai ir techninės druskos.

## AŠMENŲ KEITIMAS

**⚠️ ĮSPĖJIMAS:** Kai tvarkote ašmenis, visada mūvėkite pirštines. Šios detalės yra labai aštrios ir jose gali būti atplaišų.

1. Išjunkite įrankį ir išimkite akumuliatorių.
2. Surinkite ašmenis horizontalioje padėtyje, įsitikinkite, kad surinkote ašmenis pagal gyvatvorės žirklių ašį ir galima lengvai pritvirtinti (M pav.).

M-1	Varžtas Nr. 1 (trumpi varžtai)	M-6	Įvorė
M-2	Apatinis dangtelis	M-7	Varžtas Nr. 2 (ilgi varžtai)
M-3	Atraminė plokštelė Nr. 3	M-8	Atraminė plokštelė Nr. 2
M-4	Jungiamasis žiedas	M-9	Ašmenų agregatas
M-5	Atraminė plokštelė Nr. 1	M-10	Ekscentrinis blokas

3. Veržliarakčiu (nepriedamas) atlaisvinkite 6 varžtus Nr. 1 (trumpus varžtus) apatiniame dangtelyje ir juos išimkite.
4. Toliau laisvinkite 2 varžtus Nr. 2 (ilgus varžtus), kad galėtumėte nuimti atraminę plokštelę Nr. 1 ir Nr. 2 bei 2 įvares. Šios 2 įvorės yra atskirai pritvirtintos ašmenų agregate, dviejų stačiakampių užapvalintais kampais angų viduje.
5. Nuimkite atraminę plokštelę Nr. 3.
6. Atsargiai nuo ašmenų nuimkite jungiamąjį žiedą.
7. Nuimkite ašmenų agregatą nuo įrankio ir įsitikinkite, kad nepasikeis ekscentrinio bloko agregato padėtis.



8. Sutapdinkite vidinį išsikišimą ant naujo ašmenų agregato su jungiamojo žiedo anga, kad įkištumėte naują ašmenų agregatą į vietą.
9. Atskirai įdėkite dvi įvares į du stačiakampius užapvalintais kampais.
10. Tvirtinkite atraminę plokštelę Nr. 1, o po to atraminę plokštelę Nr. 2.
11. Vidinės angos turi būti ašmenyse, įvorės ir atraminių plokštelių angos turi atitikti varžtų angas reduktoriaus korpusė. Įkiškite 2 ilgus varžtus į sutapdintas angas ir tvirtai juos užverškite.
12. Viršutinius ašmenis šiek tiek patraukite pirmyn ir atgal, kad patikrintumėte, ar ašmenys gali lengvai judėti. Jei ne, iš naujo surinkite ašmenis, tol, kol viršutiniai ašmenys galės lengvai judėti.
13. Uždėkite jungiamąjį žiedą.
14. Sutapdinkite atraminės plokštelės Nr. 3 angą su ekscentrinio bloko išsikišimu, kad pritvirtintumėte atraminę plokštelę į vietą, įsitikinkite, kad plokštelė įdėta tiksliai per vidurį, paraleliai abiems galams.
15. Ant reduktoriaus korpuso pritvirtinkite apatinį dangtelį ir priveržkite jį 6 trumpais varžtais.

#### AŠMENŲ TEPIMAS (N pav.)

Kad įrankis veiktų geriau ir tarnautų ilgiau, po kiekvieno naudojimo sutepkite žoliapjovės žirklių ašmenis antikorozine alyva. NEPRIPILDYKITE ALYVOS ANGOS IKI PAT VIRŠAUS.

1. Veržliarakčiu (nepriedamas) atsukite sutepimo angos varžtą ant reduktoriaus korpuso.

N-1	Sutepimo angos varžtas
-----	------------------------

2. Per sutepimo angą įpilkite 5 g alyvos į reduktoriaus korpusą.
3. Pabaigę užverškite varžtą.

#### VARANČIOJO KRUMPLIARAČIO TEPIMAS

Kad įrankis veiktų geriau ir tarnautų ilgiau, kas 100 naudojimo valandų gyvatvorės žirklių įtaiso varantįjį krumpliaratį sutepkite specialiu tepalu.

Tepalas turi atitikti šiuos reikalavimus:

- NLGI tirštumo klasė: NLGI-2;
- Tirštinio tipas: Polikarbamidas;
- Rekomenduojama darbinė temperatūra: -40°C–180°C;
- Kitu atveju tepalas taip pat turi būti klampus, pasižymintis atsparumu išskirtiniam slėgiui, puikiomis nusidėvėjimą stabdančiomis savybėmis ir nepriekaištingomis stabilia oksidavimosi savybėmis.

Norėdami įpilti tepalo, atlikite toliau nurodytus žingsnius:

1. Išjunkite įrankį ir išimkite akumuliatorių.
2. Veržliarakčiu (nepriedamas) ant variklio gaubto (O-2) atsukite ir nuimkite 3 trumpus varžtus (O-1) ir nuimkite variklio gaubtą (O pav.).

O-1	Trumpas varžtas	O-5	Poveržlė
O-2	Variklio gaubtas	O-6	Reduktoriaus korpusas
O-3	Trumpas varžtas	O-7	Epiciklinė pavara
O-4	Variklis		

3. Ant variklio atlaisvinkite 3 trumpus varžtus (O-3) ir nuimkite variklį ir poveržlę.
4. Norėdami įpurkšti 5 g tepalo į 3 viršutinių epiciklinių pavaru centrą (O-7) reduktoriaus korpusė, naudokite tepalo pistoletą (nepriedamas).

**PASTABA:** Įsitikinkite, kad sutepant kitos dalys prie reduktoriaus korpuso nepajudėjo.

5. Surinkite poveržlę ir variklį užverždami 3 trumpus varžtus (O-3).
6. Vėl surinkite variklio gaubtą priverždami 3 trumpus varžtus (O-1).
7. Įjunkite įrankį, kad patikrintumėte, ar jis normaliai veikia. Jei ne, pakartokite surinkimą kaip aprašyta pirmiau.

**PASTABA:** Nuėmę variklio gaubtą aplink variklį nuvalykite nuopjovas.

#### Aplinkos apsauga



Neišmeskite elektros įrangos, akumuliatoriaus įkroviklio ir akumuliatoriaus ar įkraunamo akumuliatoriaus kartu su buitėmis atliekomis!

LT

## TRIKČIŲ ŠALINIMAS

PROBLEMA	PRIEŽASTIS	SPRENDIMAS
Gyvatvorių žirklys neveikia.	<ul style="list-style-type: none"> <li>■ Nėra elektros kontakto tarp žoliapjovės ir akumuliatoriaus.</li> <li>■ Akumuliatorius visiškai išsikrovęs.</li> <li>■ Akumuliatorius ar įrankis yra apsaugotas nuo virštemperatūros.</li> <li>■ Įstrigę ašmenys.</li> </ul>	<ul style="list-style-type: none"> <li>■ Išimkite akumuliatorių, patikrinkite kontaktus ir vėl įstatykite akumuliatorių.</li> <li>■ Įkraukite akumuliatorių.</li> <li>■ Leiskite akumuliatoriui arba elektriniam strypui atvėsti, kol temperatūra nukris žemiau 67°C.</li> <li>■ Išimkite iš įrankio akumuliatorių. Atsargiai pašalinkite kliūtis ir įdėkite atgal akumuliatorių bei įjunkite įrankį iš naujo.</li> </ul>
Per didelė vibracija arba triukšmas.	<ul style="list-style-type: none"> <li>■ Nesutepti arba korozijos pažeisti ašmenys.</li> <li>■ Ašmenys arba ašmenų atrama yra sulankstyta.</li> <li>■ Sulankstyti arba sugadinti dantukai.</li> <li>■ Atsileidę ašmenų varžtai.</li> </ul>	<ul style="list-style-type: none"> <li>■ Sutepkite ašmenis.</li> <li>■ Vadovaudamiesi šio vadovo dalyje „AŠMENŲ KEITIMAS“ pateikiamais nurodymais įdėkite naujus ašmenis arba atramą, arba susisiekite su EGO aptarnavimo centru, kad pakeistų.</li> <li>■ Vadovaudamiesi šio vadovo dalyje „AŠMENŲ KEITIMAS“ pateikiamais nurodymais įdėkite naujus ašmenis arba susisiekite su EGO aptarnavimo centru, kad pakeistų.</li> <li>■ Priveržkite ašmenų varžtus. Veržliarakčiu (nepriedamas) priveržkite varžtą pagal laikrodžio rodyklę.</li> </ul>

LT

## GARANTIJA

### EGO GARANTINĖ POLITIKA

Norėdami sužinoti visas EGO garantinės politikos sąlygas, apsilankykite interneto svetainėje [egopowerplus.com](http://egopowerplus.com).

## IZLASIET VISUS NORĀDĪJUMUS!



### IZLASIET LIETOTĀJA ROKASGRĀMATU

**⚠ Citi riski!** Personām, kuras lieto elektroniskas ierīces, piemēram, elektrokardiostimulatorus, pirms šīs ierīces lietošanas jākonsultējas ar savu ārstu. Elektriskā aprīkojuma darbība sirds elektrokardiostimulatora tuvumā var radīt stimulatora darbības traucējumus vai kļūmes.

**⚠ BRĪDINĀJUMS!** Lai garantētu drošību un uzticamību, ierīces remontu un tās detaļu nomaiņu uzticiet veikt tikai kvalificētam servisa tehnikam.

## DROŠĪBAS APZĪMĒJUMS

Drošības apzīmējumi ir paredzēti, lai pievērstu jūsu uzmanību iespējamam apdraudējumam. Pievērsiet uzmanību drošības apzīmējumiem un to skaidrojumiem, un izprotiet tos. Brīdinājumu apzīmējumi paši par sevi nenovērš apdraudējumu. Tajos ietvertie norādījumi un brīdinājumi neaizstāj atbilstošu negadījumu novēršanas pasākumu īstenošanu.

**⚠ BRĪDINĀJUMS!** Pirms šī instrumenta lietošanas izlasiet un izprotiet visus šajā lietotāja rokasgrāmatā iekļautos drošības norādījumus, tostarp visus drošības brīdinājuma apzīmējumus, piemēram, „**BĪSTAMI!**”, „**BRĪDINĀJUMS!**” un „**UZMANĪBU!**”. Visu turpmāk uzskaitīto norādījumu neievērošana var izraisīt elektriskās strāvas triecienu, aizdegšanos un/vai smagus miesas bojājumus.

## SIMBOLA NOZĪME

**⚠ DROŠĪBAS BRĪDINĀJUMA APZĪMĒJUMS:** Norāda signālvārdu **BRIESMAS, BRĪDINĀJUMS** VAI **UZMANĪBU**; var būt norādīts kopā ar citiem apzīmējumiem vai piktogrammām.



**⚠ BRĪDINĀJUMS!** Jebkura elektroinstrumenta lietošanas laikā acis var iekļūt svešķermeņi, kas var radīt smagu acu traumu. Pirms elektroinstrumenta ieslēgšanas vienmēr uzvelciet aizsargbrilles vai aizsargbrilles ar sānu aizsargiem un, ja nepieciešams, pilnu sejas aizsargmasku. Iesakām izmantot aizsargmasku ar plašu skata leņķi, ko uzvelk virs parastajām brillēm, vai arī standarta aizsargbrilles ar sānu aizsargiem.

## DROŠĪBAS INSTRUKCIJA

Šajā lapaspusē ir parādīti un aprakstīti drošības apzīmējumi, kas var būt norādīti uz šī izstrādājuma. Pirms iekārtas montāžas un lietošanas izlasiet, izprotiet un ievērojiet visus uz iekārtas sniegtos norādījumus.

	Drošības brīdinājums	Norāda uz iespējamu miesas bojājumu risku.
	Izlasiet ekspluatācijas rokasgrāmatu	Lai mazinātu traumu gūšanas bīstamību, lietotājam jāizlasa lietotāja rokasgrāmata.
	Ievērojiet pietiekami drošu attālumu no elektropārvades līnijām.	Lai novērstu elektrošoka bīstamību, nestrādājiet tuvāk par 15 m no elektroenerģijas pārvades gaisvadu līnijām. Saskare ar elektropārvades līnijām vai darbarīka izmantošana to tuvumā var radīt smagas traumas vai elektrošoku, kas var izraisīt nāvi.
	Troksnis	Garantētais skaņas intensitātes līmenis. Trokšņa emisija vidē atbilstoši Eiropas Kopienas direktīvai.
	CE	Šis izstrādājums atbilst piemērojamām EK direktīvām.
	EEIA	Elektrisko izstrādājumu atkritumus nedrīkst izmest kopā ar sadzīves atkritumiem. Nogādāt uz pilnvarotu pārstrādes punktu.

**LV**

	<p>Neturiet plaukstas un pēdas griezējinstrumenta tuvumā</p>	<p>Nekad nemēģiniet lietot šo elektroinstrumentu tikai ar vienu roku. Nespēja apvaldīt elektroinstrumentu rada nopietna vai letāla ievainojuma draudus. Lai samazinātu ar iegriešanu saistītu ievainojumu draudus, neturiet plaukstas un pēdas griezējinstrumenta tuvumā. Nekad nepiestipriniet kustībā esošu griezējinstrumentu ar roku vai kādu citu ķermeņa daļu.</p>
	<p>Valkājiet acu un galvas aizsarglīdzekļus</p>	<p>Strādājot ar šo instrumentu, vienmēr izmantojiet acu un galvas aizsarglīdzekļus.</p>
<p>IPX5</p>	<p>IP apzīmējums</p>	<p>5. aizsardzības klase pret ūdens iekļūšanu</p>
<p>V</p>	<p>Volti</p>	<p>Spriegums</p>
<p>mm</p>	<p>Milimetrs</p>	<p>Garums vai izmērs</p>
<p>cm</p>	<p>Centimetrs</p>	<p>Garums vai izmērs</p>
<p>kg</p>	<p>Kilograms</p>	<p>Svars</p>
	<p>Līdzstrāva</p>	<p>Strāvas veids vai raksturojums</p>

LV

## ⚠️ DZĪVZOGU TRIMMERA DROŠĪBAS BRĪDINĀJUMI

- Neļaujiet nevienai ķermeņa daļai nonākt saskarē ar griešanas asmeni. Kamēr asmeņi nav apstājušies, nemēģiniet izņemt apgriezto materiālu vai neturiet apgriežamo materiālu ar rokām. Pirms iestrēgušu materiālu izņemšanas pārliecinieties, ka ieslēgšanas / izslēgšanas slēdzis atrodas izslēgtā stāvoklī. Ja dzīvzogu apgriezējmašīnas darbināšanas laikā kaut uz mirkli zaudēsīt uzmanību, varat gūt nopietnus ievainojumus.
- Pārnēsājiet dzīvzogu trimmeri aiz tā ruktura, griešanas asmenim esot izslēgtam. Pirms dzīvzogu trimmera pārvadāšanas vai novietošanas glabāšanā

vienmēr uzstādiēt griešanas ierīces pārsegu. Pareiza dzīvzogu trimmera apkopšana samazina iespējamo ievainojumu risku, ko varat gūt no griešanas asmeņiem.

- **Pirms dzīvzogu apgriezējmašīnas pārvadāšanas vai novietošanas glabāšanā vienmēr uzstādiēt asmenim pārsegu.** Pareiza dzīvzogu apgriezējmašīnas apkopšana samazina iespējamo ievainojumu risku, ko varat gūt no asmeņiem.
- **Iztīrot iestrēgušu materiālu vai veicot ierīcei apkopi, pārliecinieties, vai ir izslēgti visi barošanas slēdži un ir izņemts vai atvienots akumulatoru bloks.** Negaidīta dzīvzogu apgriezējmašīnas iedarbināšana iestrēgušā materiāla izņemšanas laikā vai ierīces apkopes veikšanas laikā var izraisīt nopietnus savainojumus.
- **Iztīrot iestrēgušu materiālu vai veicot ierīcei apkopi, jābūt izslēgtiem visiem barošanas slēdzim un bloķēšanas slēdzim jāatrodas bloķētā pozīcijā.** Negaidīta dzīvzogu apgriezējmašīnas iedarbināšana iestrēgušā materiāla izņemšanas laikā vai ierīces apkopes veikšanas laikā var izraisīt nopietnus savainojumus.
- **Turiet dzīvzogu apgriezējmašīnu tikai aiz izolētajām satveršanas virsmām, jo asmens var saskarties ar apslēptiem vadiem.** Ar spriegumam pieslēgtu vadu saskarē nonākuši asmeņi var radīt spriegumu dzīvzogu apgriezējmašīnas atklātajās metāla daļās un pakļaut operatoru elektrošokam.
- **Sargājiet visus barošanas vadus un kabeljus no griešanas zonas.** Strāvas vadi vai kabelji var nemanāmi savīties dzīvzogā vai krūmos, kur to var nejauši pārgriezt ar griezējasmēni.
- **Nelietojiet dzīvzogu apgriezējmašīnu sliktos laikapstākļos, jo īpaši zibens iespējamības gadījumā.** Tas samazinās risku, ka ierīcē ekspluatācijas laikā var iespert zibens.

## ⚠️ PAPILDUS DROŠĪBAS NORĀDĪJUMI PAR PAGARINĀTAJĀM DZĪVZOGU APGRIEZĒJMAŠĪNĀM

- Lai samazinātu elektriskās strāvas trieciena risku, nekad nelietojiet pagarināto dzīvzogu apgriezējmašīnu tuvu elektropārvades līnijām. Saskaņā ar elektropārvades līnijām vai darbarīka izmantošana to tuvumā var radīt smagas traumas vai elektrošoku, kas var izraisīt nāvi.
- Vienmēr strādājiet ar pagarināto dzīvzogu apgriezējmašīnu ar abām rokām. Lai nezaudētu pagarinātās dzīvzoga apgriezējmašīnas vadību, turiet to ar abām rokām.
- Strādājot ar pagarināto dzīvzoga apgriezējmašīnu, vienmēr valkājiet galvas aizsarglīdzekļus. Krietošas koksnes atliekas var radīt nopietnas traumas.

- Pirms darbarīka izmantošanas pārbaudiet, vai dzīvzoga nav svešķermeņu, piemēram, drāšu un apslēptu vadu.
- Turiet elektroinstrumentu tikai pie izolētajām satveršanas virsmām.
- Ar dzīvzogu apgriezējmašīnu ir paredzēts strādāt, stāvot uz zemes, nevis uz kāpnēm vai jebkura cita nestabila atbalsta.
- Izmantojiet tikai A2 attēlā uzskaitītos akumulatora blokus un lādētājus

### SAGLABĀJIET ŠOS NORĀDĪJUMUS!

PAPILDU ĪPAŠIE DROŠĪBAS NOTEIKUMI IR ATRODAMI LIETOTĀJA ROKASGRĀMATAS ATTIECĪGAJĀ PIELIKUMĀ.

### SPECIFIKĀCIJAS

Asmens garums	510 mm	
Griešanas kapacitāte	26 mm	
Ieteicamā darba temperatūra	0 °C - 40 °C	
Ieteicamā uzglabāšanas temperatūra	-20 °C – 70 °C	
Svars	2,67 kg	
Izmērītais skaņas intensitātes līmenis $L_{WA}$	93,75 dB(A)	K=1,7 dB(A)
Trokšņa spiediena līmenis pie lietotāja auss $L_{PA}$	83 dB(A)	K=3 dB(A)
Garantētais skaņas intensitātes līmenis $L_{WA}$ (mērīts saskaņā ar 2000/14/EK)	95 dB(A)	
Vibrācijas ietekmes novērtējums $a_h$	Priekšējais rokturis	1,3 m/s <sup>2</sup> K=1,5 m/s <sup>2</sup>
	Aizmugurējais rokturis	1,5 m/s <sup>2</sup> K=1,5 m/s <sup>2</sup>

- Iepriekš minētie parametri ir pārbaudīti un izmērīti, izmantojot kopā ar pagarinājuma instrumentgalvu PPX1000.
- Norādītā vibrāciju kopējā vērtība ir izmērīta saskaņā ar standarta pārbaudes metodi un var tikt izmantota, lai salīdzinātu vairākus instrumentus.
- Deklarēto vibrāciju emisijas vērtību var arī lietot iepriekšējai vibrāciju iedarbības novērtēšanai.

**PIEZĪME!** Vibrāciju emisijas faktiskajā elektroinstrumenta darbināšanas laikā var atšķirties no norādītās vērtības. Lai pasargātu operatoru, lietotājam jāvalkā cimdi un dzirdes aizsarglīdzekļi atbilstoši patiesajiem darba apstākļiem.

### APRAKSTS

#### PĀRZINIET SAVAS DZĪVZOĢA APGRIEZĒJMAŠĪNAS PALĪGIERĪCI (A1 att.)

1. Aizmugurējā bukse
2. Priekšējā bukse
3. Motora korpus
4. Asmens aizsargs
5. Asmens

### KOMPLEKTĀCIJA (A2)

### MONTĀŽA

**⚠ BRĪDINĀJUMS!** Ja kāda daļa ir bojāta vai trūkst, nedarbiniet šo izstrādājumu, kamēr nav nomainīta bojātā daļa. Darbinot šo izstrādājumu ar bojātām vai trūkstošām daļām, varat gūt smagus miesas bojājumus.

**⚠ BRĪDINĀJUMS!** Vienmēr izņemiet akumulatoru bloku no produkta, ja tiek veikta detaļu izjaukšana, regulēšanas vai tīrīšanas darbi, kā arī tad, kad produkts netiek lietots.

#### GRIEZĒJGALVAS LENĶA REGULĒŠANA

Dzīvzoga apgriezējmašīnas palīgierīce iepakojumā atrodas salocītā uzglabāšanas stāvoklī (B att.). Griezējgalvas šarnīrsavienojuma lenķi un radiālā virziena rotāciju var noregulēt atsevišķi. Pirms darba uzsākšanas noregulējiet griezējgalvu piemērotā darba stāvoklī.

#### Šarnīrsavienojuma lenķa noregulēšana

Ierīcei ir sešas darba pozīcijas. Griezējasmens lenķi var noregulēt no -68° līdz 42° (C att.).

1. Lai griešanas lenķi pagrieztu vēlamajā pozīcijā, velciet atpakaļ priekšējo buksi un stingri pieturiet motora pārsegu.

C-1	Priekšējā bukse
C-2	Aizmugurējā bukse

2. Kad ir sasniegts vēlamais lenķis, pabīdiet uz priekšu buksi, lai nofiksētu griezējgalvas stāvokli.

#### Radiālā virziena rotācijas noregulēšana

Ir divas vertikālas griešanas pozīcijas (D attēls). Tās var noregulēt pa kreisi vai pa labi par 90°.

1. Lai asmeni pagrieztu vēlamajā pozīcijā, pavelciet atpakaļ aizmugurējo buksi un stingri pieturiet motora pārsegu.
2. Kad ir sasniegts vēlamais lenķis, pabīdiet uz priekšu buksi, lai nofiksētu griezējgalvas stāvokli.

LV

**⚠ BRĪDINĀJUMS!** Lai samazinātu traumu gūšanas risku, pirms regulēšanas ir jāizņem akumulators un jāpagaida, kamēr asmeņi pārstāj griezties. Nekad nepieskarieties asmeņiem, veicot regulēšanas darbus.

**⚠ BRĪDINĀJUMS!** Lietā sakausējuma pārnesumkārbā sakarst. Nekad nepieskarieties lietā sakausējuma pārnesumkārbas virsmai bez IAL cimdiem.

## DZĪVŽOGA APGRIEZĒJMAŠĪNAS PALĪGIERĪCES PIESTIPRINĀŠANA/NOŅĒMŠANA NO TELESKOPISKĀ PAGARINĀJUMA INSTRUMENTGALVAS (E att.)

Šī dzīvžoga apgriezējamašīnas palīgierīce ir paredzēta lietošanai kopā ar EGO teleskopiskā pagarinājuma instrumentgalvu PH1000E.

Lai dzīvžogu apgriezējamašīnu savienotu ar pagarinājuma instrumentgalvu, izlasiet teleskopiskā pagarinājuma instrumentgalvas PPX1000 lietotāja rokasgrāmatā sadaļu „PALĪGIERĪCES SAVIENOŠANA AR TELESKOPISKĀ PAGARINĀJUMA INSTRUMENTGALVU”.

Lai dzīvžogu apgriezējamašīnu noņemtu no pagarinājuma instrumentgalvas, izlasiet teleskopiskā pagarinājuma instrumentgalvas PPX1000 lietotāja rokasgrāmatā sadaļu „PALĪGIERĪCES NOŅĒMŠANA NO TELESKOPISKĀS PAGARINĀJUMA INSTRUMENTGALVAS”.

## GALA AIZSARGA UZSTĀDĪŠANA (izvēles)

- Lai izskrūvētu īso bultskrūvi, nostiprināšanas paplāksni, buksi un uzgriezni griezējasmens galā, izmantojiet sešstūra uzgriežņu atslēgu (komplektā nav iekļauta). Nolieciet malā nostiprināšanas paplāksni, buksi un uzgriezni vēlākai uzstādīšanai (F att.).

F-1	Uzgrieznis	F-3	Nostiprināšanas paplāksne
F-2	Bukse	F-4	Īsā bultskrūve

- Salāgojiet gala aizsargu ar griezējasmens izliekuma daļu, un nostipriniet. Piestipriniet ar jaunu garo bultskrūvi un uzgriezni, kā arī paplāksni, buksi un uzgriezni, ko nolikāt malā (G attēls).

G-1	Uzgrieznis	G-4	Bukse
G-2	Gala aizsargs	G-5	Nostiprināšanas paplāksne
G-3	Uzgrieznis	G-6	Garā bultskrūve

## EKSPLUATĀCIJA

**⚠ BĪSTAMI!** Nekad negrieziet elektropārvades līniju, elektrisko vadu vai citu elektrisko avotu tuvumā.

Ja griezējasmēni iekeras elektriskajā vadā vai līnijā, **NEPIESKARIETIES ASMENIM VAI ALUMĪNIJA KĀTAM! TIE VAR ELEKTRIZĒTIES UN KĻŪT ĻOTI BĪSTAMI!** Turiet dzīvžogu apgriezējamašīnu aiz izolētā roktura vai drošā veidā nolieciet to uz zemes un projām no sevis. Pirms mēģināt atbrīvot asmeni no bojātas līnijas vai vada, atvienojiet strāvas padevi bojātajai līnijai vai vadam. Saskare ar asmeni, kā arī citām dzīvžoga apgriezējamašīnas strāvu vadošām daļām vai spriegumaktīviem elektriskajiem vadiem vai līnijām elektrošoka rezultātā izraisīs nāves iestāšanos vai smagus miesas bojājumus.

**⚠ BRĪDINĀJUMS!** Saglabājiēt modrību visu griezējinstrumenta lietošanas laiku. Neaizmirstiet, ka pat mīrkils neuzmanības var izraisīt nopietnu traumu.

**⚠ BRĪDINĀJUMS!** Vienmēr valkājiet acu aizsarglīdzekļus. Šo noteikumu neievērošanas rezultātā acīs var nonākt svešķermeņi vai arī jūs varat gūt citas smagas traumas.

**⚠ BRĪDINĀJUMS!** Neizmantojiet nekādas palīgierīces vai piederumus, kurus neiesaka un ko nav ražojis EGO™. Šādu neapstiprinātu palīgierīču vai piederumu lietošana var radīt nopietnus ievainojumus.

## PIELIETOJUMS

Šo izstrādājumu var izmantot, lai apgrieztu dzīvžogus, krūmus, krūmājus un tamlīdzīgus materiālus, kuru zaru diametrs nepārsniedz 26 mm.

## DZĪVŽOGU APGRIEZĒJMAŠĪNAS IZMANTOŠANA AR TELESKOPISKO PAGARINĀJUMA INSTRUMENTGALVU

**⚠ BRĪDINĀJUMS!** Ģērbieties atbilstīgi, lai mazinātu traumu rašanās draudus, lietojot šo instrumentu. Nevalkājiet valīgu apģērbu vai rotaslietas. Izmantojiet acu un dzirdes aizsarglīdzekļus. Valkājiet izturīgas, garas bikses, apavus un cimdus. Nevalkājiet īsās bikses, sandales; netaigājiēt basām kājām.

## INSTRUMENTA SAGATAVOŠANA DARBAM:

- Noregulējiet griezējgalvu piemērotā darba stāvoklī.
- Noņemiet no griezējasmens asmens aizsargu.
- Uzlieciet plecu siksnu ekspluatācijai labākā un drošākā stāvoklī. Noregulējiet siksnu ērtā darba pozīcijā. Lai plecu siksnu piestiprinātu pie pagarinājuma instrumentgalvas, izpildiet PPX1000 lietotāja rokasgrāmatas sadaļā „PLECU SIKSNAS UZSTĀDĪŠANA” sniegtos norādījumus.

**▲ BRĪDINĀJUMS!** Plecu siksnai ir arī atērs atbrīvošanas mehānisms bīstamām situācijām. Avārijas situācijās gadījumā nekavējoties noņemiet siksnu no pleca neatkarīgi no tā, kādā pozīcijā tā atrodas.

**▲ BRĪDINĀJUMS!** Vienmēr strādājiet ar pagarināto dzīvzoga apgriezējmašīnu ar abām rokām. Lai nezaudētu pagarinātās dzīvzoga apgriezējmašīnas vadību, turiet to ar abām rokām. Izpildiet PPX1000 lietotāja rokasgrāmatas sadaļā „TELESKOPISKĀ PAGARINĀJUMA INSTRUMENTGALVAS TURĒŠANA”

## DARBA PAŅĒMIENI

### Horizontālā griešana (ar leņķi noregulētu instrumentgalvu)

Grieziet tuvu pie zemes, stāvot kājās, piem., apgriežot zemus krūmus.

Virzoties pa dzīvzogu, virziet griezējgalvu pa labi un pa kreisi — izmantojiet abas asmens puses un neatbalstiet griezējasmēni pret zemes (H attēls)

### Horizontālā griešana (ar iztaisnotu instrumentgalvu)

Turiet griezējgalvu 0° leņķī un horizontālā veidā lēnām virziet dzīvzoga apgriezējmašīnu. Virzoties uz dzīvzoga ārpusi, pārvietojiet griezējgalvu arkveidā, lai atgriezumi kristu zemē (I attēls).

**Ieteikums!** Šajā darba stāvoklī apgriez dzīvzogus, kuru augstums nepārsniedz krūšu līmeni.

### Vertikālā griešana (leņķi noregulēta instrumentgalva)

Griešana, nestāvot blakus dzīvzogam, piem., ja starp operatoru un dzīvzogu ir puķu dobe.

Lai labāk apvaldītu dzīvzoga apgriezējmašīnu šajā griešanas stāvoklī, ieteicams dzīvzoga apgriezējmašīnu savienot ar griezējgalvu sānu griešanas stāvoklī.

Pārvietojoties gar dzīvzogu, virziet griezējgalvu arkveidā uz augšu un uz leju — izmantojiet abas asmens griezējpusēs (J att.).

### Vertikālā griešana (ar iztaisnotu instrumentgalvu)

Apgriešana ar ļoti garu kātu bez nepieciešamības piespīrināt citus palīgīdzekļus. Virzoties gar dzīvzogu, virziet griezējgalvu arkveidā uz augšu un uz leju — izmantojiet abas asmens griezējpusēs (K att.).

### Griešana virs galvas līmeņa (ar leņķi noregulētu instrumentgalvu)

Lai maksimāli izmantotu kāta garumu, turiet dzīvzogu apgriezējmašīnu vertikāli un virziet uz priekšu arkveidā

(L1 un L2 attēls). Īpaši augstu dzīvzogu apgriešanai pagarinājuma instrumentgalvu būs nepieciešams savienot ar atbilstoši griešanas palīgīdzekļiem.

**▲ BRĪDINĀJUMS!** Jebkura darba pozīcija, strādājot augstumā virs galvas līmeņa, ir nogurdinoša. Lai samazinātu negadījuma rašanās risku, strādājiet šādā stāvoklī tikai brīdī. Iestatiet regulējamajai griezējgalvai maksimālo leņķi, lai instrumentu varētu noturēt zemāk, mazāk nogurdinošā stāvoklī (ar plecu siksnu), kas vienlaikus nodrošinās pietiekamu zaru sasniedzamību.

## ELEKTROINSTRUMENTA PALAIŠANA/APTURĒŠANA

Izlasiet pagarinājuma instrumentgalvas PPX1000 lietotāja rokasgrāmatā sadaļu „TELESKOPISKĀ PAGARINĀJUMA INSTRUMENTGALVAS PALAIŠANA/APTURĒŠANA”.

## APKOPE

**▲ BRĪDINĀJUMS!** Veicot ierīces apkopi, izmantojiet tikai identiskas rezerves daļas. Regulāri pārbaudiet instrumentu un veiciet tam apkopi. Lai garantētu drošu un uzticamu instrumenta darbību, visi remontdarbi jāveic kvalificētam servisa speciālistam.

**▲ BRĪDINĀJUMS!** Pirms ierīces pārbaudīšanas, tīrīšanas vai apkopes darbu veikšanas apturiet motoru, pagaidiet, līdz apstājas visas kustīgās daļas, un izņemiet akumulatora bloku. Šo norādījumu neievērošana var radīt smagus miesas bojājumus vai kaitējumu īpašumam.

**▲ PIEZĪME!** Pirms katras lietošanas pārbaudiet visu ierīci, vai tā nav bojāta, vai tai nav trūkstošu vai atskrūvējušos daļu, piemēram, skrūves, uzgriezņi, bultskrūves, vāciņi utt. Stingri pievelciet visus stiprinājumus un vāciņus un nedarbiniet izstrādājumu, kamēr nav nomainītas visas trūkstošās vai bojātās daļas. Lūdzu, sazinieties ar klientu apkalpošanas dienestu vai kvalificētu servisa tehniķi.

## VISPĀRĒJĀ APKOPE

Plastmasas detaļu tīrīšanai neizmantojiet šķīdinātājus. Vairums plastmasu ir uzņēmīgas pret dažāda veida komerciālu šķīdinātāju radītiem bojājumiem un, tos izmantojot, var tikt sabojātas. Lai notīrītu netīrumus, putekļus, eļļu, smērvielas u.c., izmantojiet tīras lupatiņas.

## DZĪVZOGU APGRIEZĒJMAŠĪNAS PALĪGIERĪCES TĪRĪŠANA

1. Apturiet motoru un izņemiet akumulatora bloku.
2. Izfīriert no dzīvzogu apgriezējmašīnas palīgierīces netīrumus un gružus, izmantojot lupatiņu, kas samitrināta ar saudzīgu mazgāšanas līdzekli.

**PIEZĪME!** Netīriet plastmasas korpusu un rokturi ar kodīgiem tīrīšanas līdzekļiem. Plastmasas daļas var sabojāt ar zināmām aromatizētām eļļām, piemēram, priežu un citrona.

## DZĪVŽOGU APGRIEZĒJMAŠĪNAS PALĪGIERĪCES UZGLABĀŠANA

1. Izslēdziet motoru un izņemiet akumulatoru bloku no teleskopiskā pagarinājuma instrumentgalvas.
2. Izņemiet dzīvžoga apgriezējmašīnas palīgierīci no teleskopiskā pagarinājuma instrumentgalvas.
3. Izfīriet no dzīvžoga apgriezējmašīnas visus svešķermeņus.
4. Glabājiet bērniem nepieejamā vietā.
5. Sargājiet no kodīgām vielām, piemēram, dārzā lietojamajām ķimikālijām un atledošanas sāls.

## ASMENS NOMAIŅA

**⚠ BRĪDINĀJUMS!** Darbojoties ar asmeni, vienmēr valkājiet cimdus, jo šīs daļas ir ļoti asas un var saturēt atskarpes.

1. Izslēdziet instrumentu un izņemiet akumulatoru bloku.
2. Noregulējiet asmeni horizontālā stāvoklī tā, lai asmens daļa atrastos vienā līnijā ar dzīvžoga apgriezējmašīnas darbvirpstu, lai to varētu viegli uzstādīt (M att.)

M-1	Skrūve 1# (īsās skrūves)	M-6	Bukse
M-2	Apakšējais pārsegs	M-7	Skrūve 2# (garās skrūves)
M-3	Atbalsta plāksne 3#	M-8	Atbalsta plāksne 2#
M-4	Svīras savienotājs	M-9	Asmens daļa
M-5	Atbalsta plāksne 1#	M-10	Ekscentriskais bloks

3. Izmantojiet sešstūra uzgriežņu atslēgu (komplektā nav iekļauta), lai izskrūvētu un izņemtu laukā visas 6 skrūves 1# (īsās skrūves) no apakšējā pārsega.
4. Pēc tam atskrūvējiet abas 2 skrūves 2# (garās skrūves), lai noņemtu atbalsta plāksni 1# un 2#, 2 bukses. Abas 2 bukses atrodas divās atsevišķās noapaļotas taisnstūra formas rievās asmens daļā.
5. Noņemiet atbalsta plāksni 3#.
6. Uzmanīgi izņemiet no asmens svīras savienotāju.
7. Izņemiet asmens daļu no instrumenta tā, lai ekscentriskā bloka stāvoklis paliktu nemainīgs.
8. Lai uzstādītu jauno asmens daļu, salāgojiet jaunās asmens daļas iekšējo izliekuma daļu ar svīras savienotāja caurumiņu.

9. Ievietojiet abas bukses atsevišķi noapaļotajā taisnstūra formas rievā.
10. Uzstādiet atbalsta plāksni 1# un pēc tam plāksni 2#.
11. Raugiet, lai asmens iekšējie caurumiņi, bukses un atbalsta plāksņu caurumiņi atrastos vienā līnijā ar skrūvju caurumiņiem pāresumkārbā. Ievietojiet 2 garās skrūves salāgotajos caurumiņos un stingri pieskrūvējiet.
12. Nedaudz pakustiniet augšējo asmeni uz priekšu un atpakaļ, lai pārbaudītu, vai asmens var brīvi pārvietoties. Ja tas nevar, vēlreiz samontējiet asmeņus, līdz augšējais asmens var brīvi pārvietoties.
13. Uzstādiet svīras savienotāju.
14. Lai uzstādītu atbalsta plāksni, salāgojiet atbalsta plāksnes caurumiņu 3# ar izcilni uz ekscentriskā bloka tā, lai plāksne atrastos pašā centrā, paralēli abām malām.
15. Uzstādiet pāresumkārbai apakšējo pārsegu un nostipriniet ar 6 tsajām skrūvēm.

## ASMENS EĻĻOŠANA (N. att.)

Lai asmens kalpotu labāk un ilgāk, ieeļļojiet dzīvžogu apgriezējmašīnas asmeni katru reizi pēc lietošanas, izmantojot pretkorozijas eļļu. NEAIZPILDIET EĻĻAS CAURUMIŅU LĪDZ GALAM.

1. Ar sešstūra uzgriežņu atslēgas palīdzību (komplektā nav iekļauta) izņemiet no pāresumkārbas skrūvi.

N-1 | Ieeļļošana caur skrūves caurumiņu

2. Ielejiet 5g smērvielas caur eļļošanas caurumiņu uz pāresumkārbu.
3. Kad viss pabeigts, pievelciet skrūvi.

## PIEDZIŅAS ZOBĀTA EĻĻOŠANA

Lai dzīvžoga apgriezējmašīnas palīgierīces piedziņas zobrats kalpotu labāk un ilgāk, eļļojiet to ik 100 ekspluatācijas stundām, izmantojot speciālu smērvielu.

Speciālajai smērvielai ir jāatbilst turpmāk norādītajām prasībām:

- NLGI klase iespēšanās: NLGI-2;
- Biezīnātāja tips: Poliurīnviela;
- Ieteicamais darba temperatūras diapazons: -40° C līdz 180° C;
- Vēl bez iepriekš minētā smērvielai jābūt arī stabilai ar unikālām spiediena īpašībām un teicamu pretnodiluma iezīmi, kā arī perfektu oksidēšanās stabilitāti.

Lai iepildītu eļļu, izpildiet tālāk norādītās darbības.

1. Izslēdziet instrumentu un izņemiet akumulatoru bloku.



2. Izmantojiet sešstūra uzgriežņu atslēgu (komplektā nav iekļauta), lai atskrūvētu un izņemtu visas 3 īsās skrūves (O-1) no motora pārsega (O-2), un pēc tam noņemiet motora pārsegu (O att.).

O-1	Īsā skrūve	O-5	Paplāksne
O-2	Motora pārsegs	O-6	Pārnesumkārbā
O-3	Īsā skrūve	O-7	Planetārie zobrati
O-4	Motors		

3. Atskrūvējiet visas 3 īsās motora skrūves (O-3) un pēc tam nodaliet motoru un paplāksni.
4. Izmantojiet smērvielas pistoli (komplektā nav iekļauta), lai iespiestu 5g smērvielas 3 augšējos planetārajos zobratos (O-7) pārnesumkārbas vidū.

**PIEZĪME!** Raugiet, vai citu pārnesumkārbas tuvumā esošo daļu stāvoklis iepildes laikā neizmainās.

5. Uzstādiet atpakaļ paplāksni uz motora un pievelciet visas 3 īsās skrūves (O-3).
6. Uzstādiet atpakaļ motora pārsegu un pievelciet visas 3 īsās skrūves (O-1).
7. Ieslēdziet instrumentu, lai pārbaudītu, vai tas darbojas kā parasti. Ja tas tā nav, uzstādiet vēlreiz, kā aprakstīts iepriekš.

**PIEZĪME!** Pēc motora pārsega noņemšanas notīriet ap motoru zāģskaidas.

#### Apkārtējās vides aizsardzība



Neizmetiet elektroierīces, akumulatora lādētāju un baterijas/uzlādējamās akumulatorus mājsaimniecības atkritumos!

## KĻŪDU NOVĒRŠANA

PROBLĒMA	CĒĻONIS	RISINĀJUMS
Dzīvzogu trimmers nedarbojas.	<ul style="list-style-type: none"> <li>■ Starp trimmeri un akumulatoru nav elektriskā savienojuma.</li> <li>■ Akumulatoru bloks ir izlādējies.</li> <li>■ Akumulatoru blokam vai instrumentam ir aktivizējies aizsardzības sistēma pret pārkaršanu</li> <li>■ Asmens ir saķīlējies.</li> </ul>	<ul style="list-style-type: none"> <li>■ Izņemiet akumulatoru, pārbaudiet kontaktus un ievietojiet atpakaļ.</li> <li>■ Uzlādējiet akumulatoru bloku.</li> <li>■ Ļaujiet akumulatora blokam vai pagarinājuma instrumentgalvai atdzist, līdz temperatūra nokrītās zem 67° C.</li> <li>■ Izņemiet no elektroinstrumenta akumulatoru bloku. Uzmanīgi izņemiet priekšmetu, kas radīja aizsprostojumu, pēc tam ievietojiet akumulatora bloku atpakaļ un vēlreiz ieslēdziet instrumentu.</li> </ul>
Pārmērīgas vibrācijas vai trokšņi.	<ul style="list-style-type: none"> <li>■ Sausi vai sarūsējuši asmeņi.</li> <li>■ Asmeņi vai asmens atbalsts ir saliekts.</li> <li>■ Saliekti vai bojāti zobi.</li> <li>■ Atskrūvējiet asmens bultskrūves.</li> </ul>	<ul style="list-style-type: none"> <li>■ Ieļļojiet asmeņus.</li> <li>■ Nomainiet pret jaunu asmeni vai atbalstu, ievērojot šīs rokasgrāmatas sadaļā "ASMENS NOMAIŅA" esošos norādījumus, vai sazinieties ar EGO servisa centru, lai nomainītu asmeni.</li> <li>■ Nomainiet ar jaunu asmeni, ievērojot šīs rokasgrāmatas sadaļā "ASMENS NOMAIŅA" esošos norādījumus, vai sazinieties ar EGO servisa centru, lai nomainītu asmeni.</li> <li>■ Pievelciet asmens bultskrūves. Izmantojot sešstūra uzgriežņu atslēgu (komplektā nav iekļauta), pieskrūvējiet skrūvi pulksteņrādītāja kustības virzienā.</li> </ul>

LV

## GARANTĪJA

### EGO GARANTĪJAS POLITIKA

Lūdzu, apmeklējiet tīmekļa vietni [egopowerplus.com](http://egopowerplus.com), kur pieejama pilna EGO garantijas politikas noteikumu un nosacījumu versija.

## ΔΙΑΒΑΣΤΕ ΟΛΕΣ ΤΙΣ ΟΔΗΓΙΕΣ!



### ΔΙΑΒΑΣΤΕ ΤΟ ΕΓΧΕΙΡΙΔΙΟ ΧΡΗΣΗΣ

**⚠ Υπολειπόμενοι κίνδυνοι!** Άνθρωποι που φέρουν ηλεκτρονικές συσκευές όπως βηματοδότες πρέπει να συμβουλευόνται τους γιατρούς τους, πριν τη χρήση αυτού του προϊόντος. Η λειτουργία ηλεκτρολογικού εξοπλισμού κοντά σε βηματοδότη μπορεί να προκαλέσει παρεμβολές ή βλάβη στο βηματοδότη.

**⚠ ΠΡΟΕΙΔΟΠΟΙΗΣΗ:** Προκειμένου να διασφαλιστεί η ασφάλεια και η αξιοπιστία, όλες οι επισκευές και οι αντικαταστάσεις πρέπει να πραγματοποιούνται από εξειδικευμένο τεχνικό σέρβις.

## ΣΥΜΒΟΛΟ ΑΣΦΑΛΕΙΑΣ

Ο σκοπός των συμβόλων ασφαλείας είναι να σας επιστήσουν την προσοχή σε ενδεχόμενους κινδύνους. Προσέξτε και κατανοήστε τα σύμβολα ασφαλείας και τις επεξηγήσεις που τα συνοδεύουν. Τα σύμβολα προειδοποίησης από μόνα τους δεν εξαλείφουν κανέναν κίνδυνο. Οι οδηγίες και οι προειδοποιήσεις που παρέχουν δεν υποκαθιστούν τα κατάλληλα μέτρα πρόληψης απυχημάτων.

**⚠ ΠΡΟΕΙΔΟΠΟΙΗΣΗ:** Βεβαιωθείτε ότι έχετε διαβάσει και κατανοήσει όλες τις οδηγίες ασφαλείας στο παρόν εγχειρίδιο χειριστή, συμπεριλαμβανομένων όλων των συμβόλων ασφαλείας όπως «**ΚΙΝΔΥΝΟΣ**», «**ΠΡΟΕΙΔΟΠΟΙΗΣΗ**» και «**ΠΡΟΣΟΧΗ**», προτού να χρησιμοποιήσετε αυτό το εργαλείο. Η μη τήρηση όλων των παρακάτω οδηγιών μπορεί να οδηγήσει σε ηλεκτροπληξία, πυρκαγιά και/ή σοβαρό τραυματισμό.

## ΕΠΕΞΗΓΗΣΗ ΣΥΜΒΟΛΩΝ

### ⚠ ΣΥΜΒΟΛΟ ΠΡΟΕΙΔΟΠΟΙΗΣΗΣ ΑΣΦΑΛΕΙΑΣ:

Υποδηλώνει **ΚΙΝΔΥΝΟ**, **ΠΡΟΕΙΔΟΠΟΙΗΣΗ** ή **ΠΡΟΦΥΛΑΞΗ**, ενώ μπορεί να χρησιμοποιείται σε συνδυασμό με άλλα σύμβολα ή εικονογράμματα.



**⚠ ΠΡΟΕΙΔΟΠΟΙΗΣΗ:** Η λειτουργία ηλεκτρικών εργαλείων μπορεί να προκαλέσει την εκτόξευση ξένων αντικειμένων στα μάτια σας, με αποτέλεσμα σοβαρό τραυματισμό. Προτού ξεκινήσετε τη χρήση του ηλεκτρικού εργαλείου, φοράτε πάντα προστατευτικά γυαλιά ή γυαλιά με πλευρική προστασία και, εφόσον απαιτείται, πλήρη προστατευτική προσωπίδα. Συνιστούμε μια προσωπίδα ασφαλείας ευρείας όρασης, για χρήση πάνω από γυαλιά ή τα συνήθη προστατευτικά γυαλιά με πλευρική προστασία.

## ΟΔΗΓΙΕΣ ΑΣΦΑΛΕΙΑΣ

Αυτή η σελίδα απεικονίζει και περιγράφει τα σύμβολα ασφαλείας που μπορεί να υπάρχουν επάνω στο προϊόν. Διαβάζετε, κατανοείτε και τηρείτε όλες τις οδηγίες επάνω στη μηχανή, προτού επιχειρήσετε να τη συναρμολογήσετε ή να τη χρησιμοποιήσετε.

	Προειδοποίηση ασφαλείας	Υποδηλώνει δυνητικό κίνδυνο τραυματισμού.
	Διαβάστε το εγχειρίδιο χρήσης	Προκειμένου να μειωθεί ο κίνδυνος τραυματισμού, ο χρήστης πρέπει να διαβάσει το εγχειρίδιο χρήσης.
	Διατηρείτε επαρκή απόσταση από καλώδια ηλεκτρικού ρεύματος	Προκειμένου να αποφευχθεί η ηλεκτροπληξία, μη χρησιμοποιείτε το ηλεκτρικό εργαλείο εντός 15 m από εναέρια καλώδια ηλεκτρικού ρεύματος. Η επαφή ή η χρήση κοντά σε καλώδια ηλεκτρικού ρεύματος μπορεί να προκαλέσει σοβαρό τραυματισμό ή ηλεκτροπληξία με αποτέλεσμα το θάνατο.
	Θόρυβος	Εγγυημένη στάθμη ηχητικής ισχύος. Εκπομπές θορύβου στο περιβάλλον σύμφωνα με την οδηγία της Ευρωπαϊκής Ένωσης.
	CE	Αυτό το προϊόν συμμορφώνεται με τις εφαρμοστέες οδηγίες της ΕΚ.
	AHNE	Τα απόβλητα ειδών ηλεκτρικού και ηλεκτρονικού εξοπλισμού δεν πρέπει να απορρίπτονται στα οικιακά απορρίμματα. Παραδώστε τα σε εξουσιοδοτημένη μονάδα ανακύκλωσης.

GR

	Διατηρείτε πάντοτε τα χέρια και τα πόδια μακριά από το εργαλείο κοπής	Μην επιχειρήσετε ποτέ να χειριστείτε το ηλεκτρικό εργαλείο με το ένα χέρι. Η απώλεια του ελέγχου του ηλεκτρικού εργαλείου μπορεί να επιφέρει σοβαρό ή θανάσιμο τραυματισμό. Για να μειώσετε τον κίνδυνο τραυματισμών, διατηρείτε τα χέρια και τα πόδια σας μακριά από το εργαλείο κοπής. Μην αγγίζετε ποτέ ένα κινούμενο εργαλείο κοπής με το χέρι ή οποιοδήποτε άλλο τμήμα του σώματός σας.
	Φοράτε προστατευτικά γυαλιά κράνος	Φοράτε πάντα ωτοασπίδες και κράνος όταν χρησιμοποιείτε αυτό το προϊόν.
IPX5	Σύμβολο IP	Βαθμός προστασίας 5 έναντι διεσόδους νερού
V	Volt	Τάση
mm	Χιλιοστό	Μήκος ή μέγεθος
cm	Εκατοστό	Μήκος ή μέγεθος
kg	Κιλό	Βάρος
	Συνεχές ρεύμα	Τύπος ή χαρακτηριστικά ρεύματος

GR

## ⚠️ ΠΡΟΕΙΔΟΠΟΙΗΣΕΙΣ ΑΣΦΑΛΕΙΑΣ ΓΙΑ ΨΑΛΙΔΙΑ ΜΠΟΡΝΤΟΥΡΑΣ

- Διατηρείτε όλα τα μέρη του σώματός σας μακριά από τη λεπίδα του κοπτικού εξαρτήματος. Μην απομακρύνετε ή μην πιάνετε τα κομμένα υπολείμματα κοπής όταν οι λεπίδες κινούνται. Βεβαιωθείτε ότι ο διακόπτης βρίσκεται στη θέση απενεργοποίησης προτού να απομακρύνετε το εγκλωβισμένο υλικό. Μια στιγμή απροσεξίας κατά τη χρήση του ψαλιδιού μπορντούρας μπορεί να προκαλέσει σοβαρό τραυματισμό.
- Μεταφέρετε το ψαλίδι μπορντούρας από τη λαβή, εφόσον η λεπίδα του κοπτικού εξαρτήματος έχει ακινητοποιηθεί. Όταν μεταφέρετε ή αποθηκεύετε το ψαλίδι μπορντούρας, τοποθετείτε πάντοτε το κάλυμμα της συσκευής. Ο σωστός χειρισμός του ψαλιδιού μπορντούρας θα μειώσει τον κίνδυνο τραυματισμού

από τις λεπίδες του κοπτικού εξαρτήματος.

- Όταν μεταφέρετε ή αποθηκεύετε το ψαλίδι μπορντούρας, τοποθετείτε πάντοτε το κάλυμμα της λεπίδας. Ο σωστός χειρισμός του ψαλιδιού μπορντούρας θα μειώσει τον κίνδυνο τραυματισμού από τις λεπίδες.
- Κατά την αφαίρεση εγκλωβισμένου υλικού ή την επισκευή της μονάδας, βεβαιωθείτε ότι όλοι οι διακόπτες ρεύματος είναι απενεργοποιημένοι και η συστοιχία μπαταριών έχει αφαιρεθεί ή αποσυνδεθεί. Η τυχαία ενεργοποίηση του ψαλιδιού μπορντούρας κατά την αφαίρεση σφηνωμένου υλικού ή την επισκευή μπορεί να οδηγήσει σε σοβαρό τραυματισμό.
- Κατά την αφαίρεση εγκλωβισμένου υλικού ή την επισκευή, διασφαλίζετε ότι όλοι οι διακόπτες ρεύματος βρίσκονται σε θέση απενεργοποίησης και ότι η ασφάλιση βρίσκεται στη θέση κλειδώματος. Η τυχαία ενεργοποίηση του ψαλιδιού μπορντούρας κατά την αφαίρεση σφηνωμένου υλικού ή την επισκευή μπορεί να οδηγήσει σε σοβαρό τραυματισμό.
- Κρατάτε το ψαλίδι μπορντούρας μόνο από τις μονωμένες λαβές, επειδή η λεπίδα μπορεί να έρθει σε επαφή με κρυφές καλωδιώσεις. Εάν οι λεπίδες έρθουν σε επαφή με ηλεκτροφόρα καλώδια ενδέχεται να εκτεθειμένα μεταλλικά μέρη του ψαλιδιού μπορντούρας να καταστούν και αυτά ηλεκτροφόρα, προκαλώντας ηλεκτροπληξία στο χειριστή.
- Διατηρείτε όλα τα καλώδια ηλεκτρικού ρεύματος μακριά από την περιοχή κοπής. Ενδέχεται να υπάρχουν καλώδια ηλεκτρικού ρεύματος κρυμμένα σε θαμνοφράχτες ή θάμνους και να κοπούν κατά λάθος από τη λεπίδα.
- Μη χρησιμοποιείτε το ψαλίδι μπορντούρας υπό κακές καιρικές συνθήκες, ειδικά όταν υπάρχει κίνδυνος αστραπών. Έτσι μειώνεται ο κίνδυνος να σας χτυπήσει κεραυνός.

## ⚠️ ΕΠΙΠΡΟΣΘΕΤΕΣ ΟΔΗΓΙΕΣ ΑΣΦΑΛΕΙΑΣ ΓΙΑ ΨΑΛΙΔΙΑ ΜΠΟΡΝΤΟΥΡΑΣ ΜΕ ΠΡΟΕΚΤΑΣΗ

- Προκειμένου να μειωθεί ο κίνδυνος ηλεκτροπληξίας, μη χρησιμοποιείτε ποτέ ψαλίδια μπορντούρας με προέκταση κοντά σε καλώδια ηλεκτρικού ρεύματος. Η επαφή ή η χρήση κοντά σε καλώδια ηλεκτρικού ρεύματος μπορεί να προκαλέσει σοβαρό τραυματισμό ή ηλεκτροπληξία με αποτέλεσμα το θάνατο.
- Κρατάτε πάντοτε το ψαλίδι μπορντούρας με προέκταση και με τα δύο χέρια όταν το χρησιμοποιείτε. Κρατάτε το ψαλίδι μπορντούρας με προέκταση και με τα δύο χέρια, προκειμένου να αποφύγετε την απώλεια ελέγχου.
- Φοράτε πάντοτε κράνος όταν χρησιμοποιείτε το ψαλίδι μπορντούρας με προέκταση σε ύψος πάνω από το ύψος του κεφαλιού. Στην αντίθετη περίπτωση,

ενέχει κίνδυνος σοβαρού τραυματισμού εξαιτίας της πτώσης υπολειμμάτων κοπής.

- Πριν από τη λειτουργία, ελέγχετε το θερμοφράχτη για ξένα αντικείμενα, π.χ. συρματοπλέγματα και κρυφές καλωδιώσεις.
- Κρατάτε το ηλεκτρικό εργαλείο μόνο από τις μονωμένες λαβές.
- Το ψαλίδι μπορντούρας προορίζεται για χρήση σε επίπεδο εδάφους και όχι όταν ο χειριστής βρίσκεται πάνω σε σκάλα ή οποιαδήποτε άλλη ασταθή υποστήριξη.
- Να χρησιμοποιείται μόνο με τις συστοιχίες μπαταριών και τους φορτιστές που αναφέρονται στην Εικ. Α2

### ΦΥΛΑΞΤΕ ΑΥΤΕΣ ΤΙΣ ΟΔΗΓΙΕΣ

ΕΠΙΠΡΟΣΘΕΤΟΙ ΕΙΔΙΚΟΙ ΚΑΝΟΝΕΣ ΑΣΦΑΛΕΙΑΣ ΔΙΑΤΙΘΕΝΤΑΙ ΣΤΟ ΕΓΧΕΙΡΙΔΙΟ ΧΡΗΣΤΗ ΤΟΥ ΑΝΤΙΣΤΟΙΧΟΥ ΠΡΟΣΑΡΤΗΜΑΤΟΣ

### ΤΕΧΝΙΚΕΣ ΠΡΟΔΙΑΓΡΑΦΕΣ

Μήκος λεπίδας	510 mm	
Ικανότητα κοπής	26 mm	
Συνιστώμενη θερμοκρασία λειτουργίας	0°C - 40°C	
Συνιστώμενη θερμοκρασία αποθήκευσης	-20°C - 70°C	
Βάρος	2,67 kg	
Μετρημένη στάθμη ηχητικής ισχύος $L_{WA}$	93,75 dB(A) K=1,7 dB(A)	
Στάθμη ηχητικής πίεσης στο αυτί του χειριστή $L_{PA}$	83 dB(A) K=3 dB(A)	
Εγγυημένο επίπεδο ισχύος ήχου $L_{WA}$ (μέτρηση κατά 2000/14/ΕΚ)	95 dB(A)	
Αξιολόγηση δονήσεων $a_h$	Μπροστινή χειρολαβή	1,3 m/s <sup>2</sup> K=1,5 m/s <sup>2</sup>
	Πίσω χειρολαβή	1,5 m/s <sup>2</sup> K=1,5 m/s <sup>2</sup>

- Οι παραπάνω παράμετροι έχουν δοκιμαστεί και μετρηθεί με εξοπλισμό κονταριού ισχύος PPX1000.
- Η αναφερόμενη συνολική τιμή κραδασμών έχει μετρηθεί σύμφωνα με την πρότυπη μέθοδο ελέγχου και μπορεί να χρησιμοποιηθεί για τη σύγκριση ενός εργαλείου με κάποιο άλλο.
- Η αναφερόμενη συνολική τιμή κραδασμών μπορεί να χρησιμοποιηθεί, επίσης, για την προκαταρκτική αξιολόγηση της έκθεσης.

**ΣΗΜΕΙΩΣΗ:** Οι εκπομπές κραδασμών κατά τη διάρκεια της πραγματικής χρήσης του ηλεκτρικού εργαλείου μπορεί να διαφέρουν από τη δηλωμένη τιμή στην οποία χρησιμοποιείται το εργαλείο. Για την προστασία του χειριστή, πρέπει να χρησιμοποιούνται γάντια και προστασία της ακοής στις πραγματικές συνθήκες χρήσης.

### ΠΕΡΙΓΡΑΦΗ

ΓΝΩΡΙΣΤΕ ΤΟ ΠΡΟΣΑΡΤΗΜΑ ΨΑΛΙΔΟΥ ΜΠΟΡΝΤΟΥΡΑΣ (Εικ. Α1)

1. Πίσω χιτώνιο
2. Μπροστινό χιτώνιο
3. Περιβλήμα κινητήρα
4. Θήκη λεπίδας
5. Λεπίδα

### ΚΑΤΑΛΟΓΟΣ ΕΞΑΡΤΗΜΑΤΩΝ ΣΥΣΚΕΥΑΣΙΑΣ (ΕΙΚ. Α2)

### ΣΥΝΑΡΜΟΛΟΓΗΣΗ

**⚠ ΠΡΟΕΙΔΟΠΟΙΗΣΗ:** Σε περίπτωση που κάποια από τα εξαρτήματα έχουν υποστεί ζημιά ή λείπουν, μη χρησιμοποιήσετε το προϊόν, μέχρι να αντικατασταθούν. Η χρήση αυτού του προϊόντος με φθαρμένα ή ελλιπή εξαρτήματα μπορεί να έχει ως αποτέλεσμα σοβαρό τραυματισμό.

**⚠ ΠΡΟΕΙΔΟΠΟΙΗΣΗ:** Αφαιρείτε πάντα τη συστοιχία μπαταριών από το προϊόν, όταν συναρμολογείτε εξαρτήματα, κάνετε ρυθμίσεις, πραγματοποιείτε καθαρισμό ή όταν το προϊόν δε χρησιμοποιείται.

### ΡΥΘΜΙΣΗ ΓΩΝΙΑΣ ΤΗΣ ΚΕΦΑΛΗΣ ΚΟΠΗΣ

Όταν βγάξετε το προσάρτημα ψαλιδιού μπορντούρας από τη συσκευασία, αυτό είναι διπλωμένο σε θέση αποθήκευσης (Εικ. Β). Η γωνία άρθρωσης και ακτινικής περιστροφής της κεφαλής κοπής επιδέχονται ξεχωριστή ρύθμιση. Ρυθμίστε την κεφαλή κοπής σε κατάλληλη θέση εργασίας πριν από τη χρήση.

### Ρύθμιση γωνίας άρθρωσης

Υπάρχουν έξι θέσεις εργασίας. Η γωνία της λεπίδας κοπής μπορεί να ρυθμιστεί από -68° έως 42°(Εικ. C).

1. Τραβήξτε το μπροστινό χιτώνιο προς τα πίσω και, στη συνέχεια, κρατήστε γερά το κάλυμμα κινητήρα για να περιστρέψετε τη γωνία κοπής στην επιθυμητή θέση.

C-1	Μπροστινό χιτώνιο
C-2	Πίσω χιτώνιο

GR

- Μόλις επιτευχθεί η επιθυμητή γωνία, ωθήστε το χιτώνιο προς τα εμπρός για να ασφαλίσετε την κεφαλή κοπής σε αυτήν τη θέση.

## Ρύθμιση ακινικής περιστροφής

Υπάρχουν δύο θέσεις κάθετης κοπής (Εικ. D). Μπορεί να ρυθμιστεί προς τα αριστερά ή τα δεξιά κατά 90°.

- Τραβήξτε το πίσω χιτώνιο προς τα πίσω και, στη συνέχεια, κρατήστε γερά το κάλυμμα κινητήρα για να περιστρέψετε τη λεπίδα στην επιθυμητή θέση.
- Μόλις επιτευχθεί η επιθυμητή γωνία, ωθήστε το χιτώνιο προς τα εμπρός για να ασφαλίσετε την κεφαλή κοπής σε αυτήν τη θέση.

**⚠ ΠΡΟΕΙΔΟΠΟΙΗΣΗ:** Προκειμένου να ελαχιστοποιηθεί ο κίνδυνος τραυματισμού, αφαιρέστε τη συστοιχία μπαταριών πριν από τη διενέργεια ρυθμίσεων και πραγματοποιείτε ρυθμίσεις μόνο εφόσον οι λεπίδες είναι ακινητοποιημένες. Μην αγγίζετε ποτέ τις λεπίδες ενόσω κάνετε ρυθμίσεις.

**⚠ ΠΡΟΕΙΔΟΠΟΙΗΣΗ:** Το κιβώτιο γραναζιών κράματος χύτευσης είναι καυτό. Μην αγγίζετε ποτέ την επιφάνεια του κιβωτίου γραναζιών κράματος χύτευσης χωρίς να φοράτε γάντια ΜΑΠ.

## ΣΥΝΔΕΣΗ/ΑΦΑΙΡΕΣΗ ΤΟΥ ΠΡΟΣΑΡΤΗΜΑΤΟΣ ΨΑΛΙΔΟΥ ΜΠΟΡΝΤΟΥΡΑΣ ΣΤΟ/ΑΠΟ ΤΗΛΕΣΚΟΠΙΚΟ ΚΟΝΤΑΡΙ ΙΣΧΥΟΣ (Εικ. E)

Αυτό το προσάρτημα ψαλιδίου μπορντούρας έχει σχεδιαστεί για χρήση με το τηλεσκοπικό κοντάρι ισχύος RPX1000 της EGO.

Ανατρέξτε στην ενότητα «ΕΓΚΑΤΑΣΤΑΣΗ ΠΡΟΣΑΡΤΗΜΑΤΟΣ ΣΤΟ ΤΗΛΕΣΚΟΠΙΚΟ ΚΟΝΤΑΡΙ ΙΣΧΥΟΣ» του εγχειριδίου χρήσης του τηλεσκοπικού κονταριού ισχύος RPX1000 για τη σύνδεση του ψαλιδίου μπορντούρας στο κοντάρι ισχύος.

Ανατρέξτε στην ενότητα «ΑΦΑΙΡΕΣΗ ΠΡΟΣΑΡΤΗΜΑΤΟΣ ΑΠΟ ΤΗΛΕΣΚΟΠΙΚΟ ΚΟΝΤΑΡΙ ΙΣΧΥΟΣ» του εγχειριδίου χρήσης του τηλεσκοπικού κονταριού ισχύος RPX1000 για την αφαίρεση του ψαλιδίου μπορντούρας από το κοντάρι ισχύος.

## ΤΟΠΟΘΕΤΗΣΗ ΤΟΥ ΠΡΟΣΤΑΤΕΥΤΙΚΟΥ ΑΚΜΗΣ (Προαιρετικό)

- Χρησιμοποιήστε ένα εξάγωνο κλειδί (δεν παρέχεται) για να αφαιρέσετε το κοντό μπουλόνι, την απλή ροδέλα, το χιτώνιο και το παξιμάδι στο άκρο της λεπίδας κοπής, και φυλάξτε την απλή ροδέλα, το χιτώνιο και το παξιμάδι για την επανασυναρμολόγηση (Εικ. F).

F-1	Παξιμάδι	F-3	Απλή ροδέλα
F-2	Χιτώνιο	F-4	Κοντό μπουλόνι

- Ευθυγραμμίστε το προστατευτικό ακμής με την προεξοχή στη λεπίδα κοπής και τοποθετήστε το στη θέση του. Ασφαλίστε το με το νέο μακρύ μπουλόνι και το παξιμάδι, καθώς και με τη ροδέλα, το χιτώνιο και το παξιμάδι (Εικ. G) που είχατε φυλάξει.

G-1	Παξιμάδι	G-4	Χιτώνιο
G-2	Προστατευτικό ακμής	G-5	Απλή ροδέλα
G-3	Παξιμάδι	G-6	Μακρύ μπουλόνι

## ΛΕΙΤΟΥΡΓΙΑ

**⚠ ΚΙΝΔΥΝΟΣ:** Μην κόβετε κοντά σε καλώδια ηλεκτρικού ρεύματος, ηλεκτρικά καλώδια ή άλλες ηλεκτρικές πηγές. Εάν οι λεπίδες κοπής μπλοκάρουν σε ηλεκτρικά καλώδια ή γραμμές, **ΜΗΝ ΑΓΓΙΖΕΤΕ ΤΗ ΛΕΠΙΔΑ Ή ΤΟ ΛΑΟΥΜΙΝΙΟ ΚΟΝΤΑΡΙ! ΜΠΟΡΕΙ ΝΑ ΚΑΤΑΣΤΟΥΝ ΗΛΕΚΤΡΟΦΟΡΑ ΚΑΙ ΕΞΑΙΡΕΤΙΚΑ ΕΠΙΚΙΝΔΥΝΑ.** Συνεχίστε να κρατάτε το ψαλίδι μπορντούρας από τη μονωμένη χειρολαβή ή αποθέστε το με ασφάλεια στο έδαφος μακριά από εσάς. Διακόψτε την παροχή ρεύματος προς την κατεστραμμένη γραμμή ή το κατεστραμμένο καλώδιο προτού να επιχειρήσετε να αποδεσμεύσετε τη λεπίδα από αυτά. Η επαφή με τη λεπίδα, άλλα αγώγιμα τμήματα του προσαρτήματος ψαλιδίου μπορντούρας ή ηλεκτροφόρα ηλεκτρικά καλώδια ή αγωγούς θα επιφέρει θάνατο από ηλεκτροπληξία ή σοβαρό τραυματισμό.

**⚠ ΠΡΟΕΙΔΟΠΟΙΗΣΗ:** Η εξοικείωσή σας με αυτό το προϊόν δε θα πρέπει να σας κάνει λιγότερο προσεκτικούς. Θυμηθείτε πως ένα κλάσμα δευτερολέπτου απροσεξίας μπορεί να προκαλέσει σοβαρό τραυματισμό.

**⚠ ΠΡΟΕΙΔΟΠΟΙΗΣΗ:** Φοράτε πάντα προστατευτικά γυαλιά. Στην αντίθετη περίπτωση, είναι πιθανό να υπάρξει εκτόξευση αντικειμένων στα μάτια σας και άλλοι πιθανοί σοβαροί τραυματισμοί.

**⚠ ΠΡΟΕΙΔΟΠΟΙΗΣΗ:** Μη χρησιμοποιείτε προσαρτήματα ή εξαρτήματα που δε συνιστώνται από τον κατασκευαστή EGO™. Η χρήση προσαρτημάτων ή εξαρτημάτων που δε συνιστώνται από τον κατασκευαστή, ενέχει τον κίνδυνο σοβαρού τραυματισμού.

## ΕΦΑΡΜΟΓΕΣ

Μπορείτε να χρησιμοποιείτε αυτό το προϊόν για την κοπή θαμνοφρακτών, θάμνων, χαμδέντρων και παρόμοιων υλικών με διάμετρο κλαδιού μικρότερη από Ø 26 mm.

## ΧΡΗΣΗ ΤΟΥ ΨΑΛΙΔΙΟΥ ΜΠΟΡΝΤΟΥΡΑΣ ΜΕ ΤΗΛΕΣΚΟΠΙΚΟ ΚΟΝΤΑΡΙ ΙΣΧΥΟΣ

**⚠️ ΠΡΟΕΙΔΟΠΟΙΗΣΗ:** Ντύνεστε κατάλληλα για να μειώσετε τον κίνδυνο τραυματισμού κατά τη λειτουργία αυτού του ηλεκτρικού εργαλείου. Μη φοράτε φαρδιά ρούχα ή κοσμήματα. Φοράτε προστατευτικά γυαλιά και ωτοασπίδες. Φοράτε βαριά, μακριά παντελόνια, μπότες και γάντια. Μη φοράτε κοντά παντελόνια, σανδάλια και μην είστε ζυπόλυτοι.

### ΠΡΟΕΤΟΙΜΑΣΙΑ ΓΙΑ ΤΗΝ ΚΟΠΗ:

1. Ρυθμίστε την κεφαλή κοπής στην επιθυμητή θέση εργασίας.
2. Αφαιρέστε τη θήκη λεπίδας από τη λεπίδα κοπής.
3. Για ασφαλέστερη και καλύτερη λειτουργία, τοποθετήστε τον ιμάντα ώμου εγκάρσια στον ώμο. Ρυθμίστε τον ιμάντα ώμου σε μια άνετη θέση λειτουργίας. Ακολουθήστε τις οδηγίες της ενότητας «**ΠΡΟΣΑΡΤΗΣΗ ΤΟΥ ΙΜΑΝΤΑ ΩΜΟΥ**» του εγχειριδίου χρήστη PPX1000 για την προσαρτήση του ιμάντα ώμου στο κοντάρι ισχύος.

**⚠️ ΠΡΟΕΙΔΟΠΟΙΗΣΗ:** Ο ιμάντας ώμου είναι επίσης ένας μηχανισμός γρήγορης αποδέσμευσης σε επικίνδυνη κατάσταση. Σε επείγουσα κατάσταση, αφαιρέστε τον από τον ώμο σας αμέσως, ανεξάρτητα από τη θέση του.

**⚠️ ΠΡΟΕΙΔΟΠΟΙΗΣΗ:** Κρατάτε πάντοτε το ψαλίδι μπορντούρας με προέκταση και με τα δύο χέρια όταν το χρησιμοποιείτε. Κρατάτε το ψαλίδι μπορντούρας με προέκταση και με τα δύο χέρια, προκειμένου να αποφύγετε την απώλεια ελέγχου. Ακολουθήστε τις οδηγίες της ενότητας «**ΚΡΑΤΗΜΑ ΤΟΥ ΤΗΛΕΣΚΟΠΙΚΟΥ ΚΟΝΤΑΡΙΟΥ ΙΣΧΥΟΣ**» του εγχειριδίου χρήστη PPX1000

### ΤΕΧΝΙΚΕΣ ΕΡΓΑΣΙΑΣ

#### Οριζόντια κοπή (με κεκλιμένη κεφαλή κοπής):

Κόψτε κοντά στο έδαφος από όρθια θέση, π.χ., ξάκρισμα χαμηλών θάμνων.

Κινήστε την κεφαλή κοπής προς τα δεξιά και τα αριστερά καθώς κινείστε κατά μήκος του θαμνοφράχτη – χρησιμοποιείτε και τις δύο πλευρές των λεπίδων και μην αποθέτετε τη λεπίδα του κοπτικού εξαρτήματος στο έδαφος (Εικ. Η)

#### Οριζόντια κοπή (με ίσια κεφαλή κοπής):

Κρατήστε τη λεπίδα κοπής υπό γωνία 0° έως 10° καθώς μετακινείτε οριζόντια το ψαλίδι μπορντούρας. Κινήστε την κεφαλή κοπής πέρα δώθε τοξοειδώς εξωτερικά του θαμνοφράχτη, έτσι ώστε τα υπολείμματα κοπής να πέφτουν στο έδαφος (Εικ. Ι).

**Σύσταση:** Κόβετε θαμνοφράχτες που δεν υπερβαίνουν το ύψος του στήθους σας στη θέση εργασίας.

#### Κάθετη κοπή (με κεκλιμένη κεφαλή κοπής):

Κόβετε χωρίς να στέκεστε ακριβώς δίπλα στο θαμνοφράχτη, π.χ., στο παρτέρι μεταξύ χειριστή και θαμνοφράχτη.

Σε αυτήν τη θέση κοπής, για τον καλύτερο έλεγχο του ψαλιδιού μπορντούρας, συνιστάται η σύνδεση του ψαλιδιού μπορντούρας με την κεφαλή κοπής στην πλαινίη θέση κοπής.

Κινήστε την κεφαλή κοπής επάνω και κάτω τοξοειδώς καθώς μετακινείστε κατά μήκος του θαμνοφράχτη – χρησιμοποιείτε και τις δύο πλευρές της λεπίδας κοπής (Εικ. J).

#### Κάθετη κοπή (με ίσια κεφαλή κοπής):

Φτάνετε πολύ μακριά χωρίς να απαιτείται άλλη βοήθεια. Κινήστε την κεφαλή κοπής επάνω και κάτω τοξοειδώς καθώς μετακινείστε κατά μήκος του θαμνοφράχτη – χρησιμοποιείτε και τις δύο πλευρές της λεπίδας κοπής (Εικ. K).

#### Κοπή πάνω από το κεφάλι (με κεκλιμένη κεφαλή κοπής):

Κρατάτε το ψαλίδι μπορντούρας κάθετα και το μετακινήστε το πέρα δώθε τοξοειδώς, ώστε να εκμεταλλευτείτε στο μέγιστο την έκτασή του (Εικ. L1 & L2). Για εξαιρετικά ψηλά θαμνοφράχτη, αυτό το κοντάρι επέκτασης είναι ιδανικό για ξάκρισμα.

**⚠️ ΠΡΟΕΙΔΟΠΟΙΗΣΗ:** Οποιαδήποτε θέση εργασίας πάνω από το κεφάλι είναι κουραστική. Προκειμένου να ελαχιστοποιήσετε τον κίνδυνο ατυχημάτων, εργάζεστε σε τέτοιες θέσεις μόνο για σύντομες περιόδους. Ρυθμίστε τη γωνία της ρυθμιζόμενης κεφαλής κοπής στη μέγιστη τιμή, έτσι ώστε να μπορείτε να κρατάτε το εργαλείο σε χαμηλότερη και λιγότερο κουραστική θέση (με τον ιμάντα ώμου) ενώ το ηλεκτρικό εργαλείο εξακολουθεί να σας παρέχει επαρκή πρόσβαση.

### ΕΝΕΡΓΟΠΟΙΗΣΗ/ΑΠΕΝΕΡΓΟΠΟΙΗΣΗ ΤΟΥ ΕΡΓΑΛΕΙΟΥ

Ακολουθήστε τις οδηγίες της ενότητας «**ΕΝΕΡΓΟΠΟΙΗΣΗ/ ΑΠΕΝΕΡΓΟΠΟΙΗΣΗ ΤΟΥ ΤΗΛΕΣΚΟΠΙΚΟΥ ΚΟΝΤΑΡΙΟΥ ΙΣΧΥΟΣ**» του εγχειριδίου χρήστη του κονταριού ισχύος PPX1000.

### ΣΥΝΤΗΡΗΣΗ

**⚠️ ΠΡΟΕΙΔΟΠΟΙΗΣΗ:** Κατά τη συντήρηση, χρησιμοποιείτε μόνο όμοια ανταλλακτικά. Ελέγχετε και συντηρείτε τακτικά τη μηχανή. Προκειμένου να διασφαλιστεί η ασφάλεια και η αξιοπιστία, όλες οι επισκευές πρέπει να διενεργούνται από εξειδικευμένο τεχνικό σέρβις.

**⚠️ ΠΡΟΕΙΔΟΠΟΙΗΣΗ:** Πριν από τον έλεγχο, τον καθαρισμό ή τη συντήρηση της μονάδας, σβήστε τον κινητήρα, περιμένετε ώσπου να ακινητοποιηθούν όλα τα κινούμενα εξαρτήματα και αφαιρέστε τη συστοιχία μπαταριών. Η μη τήρηση των οδηγιών μπορεί να οδηγήσει σε σοβαρό τραυματισμό ή υλικές ζημιές.

**⚠️ ΠΡΟΣΟΧΗ:** Πριν από κάθε χρήση, ελέγχετε πλήρως το προϊόν για φθαρμένα, ελλιπή ή χαλαρά εξαρτήματα, όπως, βίδες, παξιμάδια, μπουλόνια, πώματα, κτλ. Συσφίξτε με ασφάλεια όλους τους σφιγκτήρες και τα πώματα και μη θέσετε σε λειτουργία το προϊόν προτού να αποκατασταθούν όλα τα ελλιπή ή φθαρμένα εξαρτήματα. Επικοινωνήστε με την υπηρεσία εξυπηρέτησης πελατών ή με εξειδικευμένο τεχνικό σέρβις.

## ΓΕΝΙΚΗ ΣΥΝΤΗΡΗΣΗ

Αποφύγετε τη χρήση διαλυτών κατά τον καθαρισμό των πλαστικών εξαρτημάτων. Τα περισσότερα πλαστικά είναι ευπαθή στη χρήση διαφόρων τύπων διαλυτών του εμπορίου και καταστρέφονται από τη χρήση τους. Χρησιμοποιείτε καθαρό πανί για την απομάκρυνση βρωμιάς, σκόνης, λαδιού, γράσου, κτλ.

## ΚΑΘΑΡΙΣΜΟΣ ΤΟΥ ΠΡΟΣΑΡΤΗΜΑΤΟΣ ΨΑΛΙΔΟΥ ΜΠΟΡΝΤΟΥΡΑΣ

1. Σβήστε τον κινητήρα και αφαιρέστε τη συστοιχία μπαταριών.
2. Καθαρίστε τους ρύπους και τα υπολείμματα από το προσάρτημα ψαλιδίου μπορντούρας με ένα νωπό πανί με ήπιο απορρυπαντικό.

**ΠΡΟΣΟΧΗ:** Μη χρησιμοποιήσετε δραστικά απορρυπαντικά στο πλαστικό περίβλημα ή τη χειρολαβή. Αυτά μπορούν να καταστραφούν από ορισμένα αρωματικά έλαια, όπως πεύκου και λεμονιού.

## ΑΠΟΘΗΚΕΥΣΗ ΤΟΥ ΠΡΟΣΑΡΤΗΜΑΤΟΣ ΨΑΛΙΔΟΥ ΜΠΟΡΝΤΟΥΡΑΣ

1. Σβήστε τον κινητήρα και αφαιρέστε τη συστοιχία μπαταριών από το τηλεσκοπικό κοντάρι ισχύος.
2. Αφαίρεση του προσαρτήματος ψαλιδίου μπορντούρας από το τηλεσκοπικό κοντάρι ισχύος.
3. Απομακρύνετε όλα τα ξένα σώματα από το προσάρτημα ψαλιδίου μπορντούρας.
4. Να αποθηκεύεται σε χώρο στον οποίο δεν έχουν πρόσβαση παιδιά.
5. Να διατηρείται μακριά από διαβρωτικές ουσίες, όπως χημικές ουσίες και αποπρωγικά άλατα κήπου.

## ΑΝΤΙΚΑΤΑΣΤΑΣΗ ΤΗΣ ΛΕΠΙΔΑΣ

**⚠️ ΠΡΟΕΙΔΟΠΟΙΗΣΗ:** Φοράτε πάντα γάντια κατά το χειρισμό της λεπίδας. Αυτά τα εξαρτήματα είναι εξαιρετικά κοφτερά και ενδέχεται να υπάρχουν γρέζια.

1. Απενεργοποιήστε το ηλεκτρικό εργαλείο και αφαιρέστε τη συστοιχία μπαταριών.
2. Ρυθμίστε τη λεπίδα στην οριζόντια θέση, διασφαλίζοντας ότι η διάταξη λεπίδας ευθυγραμμίζεται με τον άξονα του ψαλιδίου μπορντούρας για ευκολότερη εγκατάσταση (Εικ. Μ).

M-1	Βίδα 1 (κοντές βίδες)	M-6	Χιτώνιο
M-2	Κάτω κάλυμμα	M-7	Βίδα 2 (μακριές βίδες)
M-3	Πλάκα υποστήριξης 3	M-8	Πλάκα υποστήριξης 2
M-4	Μοχλός ζεύξης	M-9	Διάταξη λεπίδας
M-5	Πλάκα υποστήριξης 1	M-10	Έκκεντρο μπλοκ

3. Χρησιμοποιήστε ένα εξάγωνο κλειδί (δεν παρέχεται) για να ξεβιδώσετε τις 6 βίδες 1 (κοντές βίδες) στο κάτω κάλυμμα και αφαιρέστε τις.
4. Συνεχίστε ξεβιδώνοντας τις 2 βίδες 2 (μακριές βίδες) για να αφαιρέσετε τις πλάκες υποστήριξης 1 και 2, όπως και τα 2 χιτώνια. Τα 2 χιτώνια βρίσκονται ξεχωριστά μέσα σε στις δύο στρογγυλοποιημένες ραμβοειδείς οπές της διάταξης λεπίδας.
5. Αφαιρέστε την πλάκα υποστήριξης 3.
6. Αφαιρέστε προσεκτικά το μοχλό ζεύξης από τη λεπίδα.
7. Αφαιρέστε τη διάταξη λεπίδας από το ηλεκτρικό εργαλείο και διασφαλίστε ότι η διάταξη του έκκεντρο μπλοκ δε θα μετατοπιστεί.
8. Ευθυγραμμίστε την εσωτερική προεξοχή στη νέα διάταξη λεπίδας με την οπή μέσα στο μοχλό ζεύξης, προκειμένου να τοποθετήσετε τη νέα διάταξη λεπίδας στη θέση της.
9. Εισάγετε τα δύο χιτώνια στους δύο στρογγυλοποιημένους ρόμβους ξεχωριστά.
10. Προσαρτήστε την πλάκα υποστήριξης 1 και, στη συνέχεια, την πλάκα υποστήριξης 2.
11. Διατηρήστε τις εσωτερικές οπές της λεπίδας, των χιτώνιων, και τις οπές των πλακών υποστήριξης ευθυγραμμισμένες με τις οπές βιδών του κιβωτίου γραναζιών. Τοποθετήστε τις 2 μακριές βίδες στις ευθυγραμμισμένες οπές και συσφίξτε καλά.
12. Μετακινήστε ελαφρά την επάνω λεπίδα εμπρός και πίσω, για να βεβαιωθείτε ότι κινείται ελεύθερα. Στην αντίθετη περίπτωση, συναρμολογήστε τις λεπίδες εκ νέου, ώσπου να κινούνται ελεύθερα.



13. Εγκατάσταση του μοχλού ζεύξης
14. Ευθυγραμμίστε την οπή της πλάκας υποστήριξης 3 με την προεξοχή του έκκεντρου μπλοκ για να τοποθετήσετε την πλάκα υποστήριξης στη θέση της, διασφαλίζοντας ότι η πλάκα είναι τοποθετημένη ακριβώς στο κέντρο, παράλληλα και στις δύο άκρες.
15. Προσαρτήστε το κάτω κάλυμμα στο κιβώτιο γραναζιών και ασφαλίστε το με 6 κοντές βίδες.

### ΛΙΠΑΝΣΗ ΤΗΣ ΛΕΠΙΔΑΣ (Εικ. Ν)

Για καλύτερη εργασία και μεγαλύτερη διάρκεια ζωής των λεπίδων, λιπαίνετε τη λεπίδα του ψαλιδιού μπροντούρας με αντιοξειδωτικό λάδι μετά από κάθε χρήση. ΜΗ ΓΕΜΙΖΕΤΕ ΤΗΝ ΟΠΗ ΛΙΠΑΝΣΗΣ ΠΛΗΡΩΣ ΜΕ ΛΑΔΙ.

1. Ξεβιδώστε τη βίδα οπής λίπανσης στο κιβώτιο γραναζιών με εξάγωνο κλειδί (δεν παρέχεται).

**N-1** Βίδα οπής λίπανσης

2. Εισάγετε 5 g γράσου στο κιβώτιο γραναζιών μέσα από την οπή λίπανσης.
3. Συσφίξτε τη βίδα μόλις ολοκληρώσετε.

### ΛΙΠΑΝΣΗ ΤΟΥ ΚΙΒΩΤΙΟΥ ΓΡΑΝΑΖΙΩΝ

Για καλύτερη λειτουργία και μεγαλύτερη διάρκεια ζωής, λιπαίνετε το κιβώτιο γραναζιών του προσαρτήματος ψαλιδιού μπροντούρας με ειδικό γράσο ανά 100 λεπτά χρήσης.

Το γράσο πρέπει να ανταποκρίνεται στις εξής απαιτήσεις:

- Βαθμός διείδυσης κατά NLGI: NLGI-2.
- Τύπος πυκνωτικού: Πολυουρία.
- Εύρος συνιστώμενης θερμοκρασία λειτουργίας: -40°C έως 180°C.
- Εκτός από τα παραπάνω, το γράσο πρέπει να αντέχει σε κοψίματα, να έχει εξαιρετικά χαρακτηριστά πίεσης, άριστη αντοχή στη φθορά και τέλεια οξειδωτική σταθερότητα.

Για τη συμπλήρωση γράσου, ακολουθήστε τα παρακάτω βήματα:

1. Απενεργοποιήστε το ηλεκτρικό εργαλείο και αφαιρέστε τη συστοιχία μπαταριών.
2. Χρησιμοποιήστε ένα εξάγωνο κλειδί (δεν παρέχεται) για να ξεβιδώσετε και να αφαιρέσετε τις 3 κοντές βίδες (O-1) στο κάλυμμα κινητήρα (O-2) και, στη συνέχεια, αφαιρέστε το κάλυμμα κινητήρα (Εικ. O).

O-1	Κοντή βίδα	O-5	Ροδέλα
O-2	Κάλυμμα κινητήρα	O-6	Κιβώτιο γραναζιών
O-3	Κοντή βίδα	O-7	Πλανητικοί οδοντοτροχοί
O-4	Κινητήρας		

3. Ξεβιδώστε τις 3 κοντές βίδες (O-3) του κινητήρα και, στη συνέχεια, αφαιρέστε τον κινητήρα και τη ροδέλα.
4. Χρησιμοποιήστε ένα πιστόλι γράσου (δεν παρέχεται) για να εισάγετε 5 g γράσου στο κέντρο των 3 επάνω πλανητικών οδοντοτροχών (O-7) στο κιβώτιο γραναζιών.

**ΣΗΜΕΙΩΣΗ:** Βεβαιωθείτε ότι η θέση των υπόλοιπων εξαρτημάτων κοντά στο κιβώτιο γραναζιών δε θα μεταβληθεί κατά το γρασάρισμα.

5. Επανασυναρμολογήστε τη ροδέλα και τον κινητήρα, συσφίγγοντας τις 3 κοντές βίδες (O-3).
6. Επανασυναρμολογήστε το κάλυμμα κινητήρα, συσφίγγοντας τις 3 κοντές βίδες (O-1).
7. Θέστε το ηλεκτρικό εργαλείο για να βεβαιωθείτε ότι λειτουργεί κανονικά. Στην αντίθετη περίπτωση, συναρμολογήστε εκ νέου όπως περιγράφεται παραπάνω.

**ΣΗΜΕΙΩΣΗ:** Αφού αφαιρεθεί το κάλυμμα κινητήρα, καθαρίστε τα τριονίδια γύρω από τον κινητήρα.

### Προστασία του περιβάλλοντος



Μην απορρίπτετε ηλεκτρολογικό εξοπλισμό, το φορτιστή μπαταρίας και τις συστοιχίες μπαταριών/επαναφορτιζόμενες μπαταρίες στα οικιακά απορρίμματα!

## ΑΝΤΙΜΕΤΩΠΙΣΗ ΠΡΟΒΛΗΜΑΤΩΝ

ΠΡΟΒΛΗΜΑ	ΑΙΤΙΑ	ΑΝΤΙΜΕΤΩΠΙΣΗ
Το ψαλίδι μπορντούρας δε λειτουργεί.	<ul style="list-style-type: none"> <li>■ Δεν υπάρχει ηλεκτρική επαφή μεταξύ ψαλιδιού και συστοιχίας μπαταριών.</li> <li>■ Η συστοιχία μπαταριών έχει αδειάσει.</li> <li>■ Έχει ενεργοποιηθεί η προστασία από υπερθέρμανση του ηλεκτρικού εργαλείου ή της συστοιχίας μπαταριών</li> <li>■ Η λεπίδα είναι μπλοκαρισμένη.</li> </ul>	<ul style="list-style-type: none"> <li>■ Αφαιρέστε τη συστοιχία μπαταριών, ελέγξτε τις επαφές και προσαρτήστε τη συστοιχία μπαταριών εκ νέου.</li> <li>■ Φορτίστε τη συστοιχία μπαταριών.</li> <li>■ Αφήστε να κρυώσει η συστοιχία μπαταριών ή κοντάρι ισχύος, ώσπου η θερμοκρασία να πέσει κάτω από τους 67°C.</li> <li>■ Αφαιρέστε τη συστοιχία μπαταριών από το ηλεκτρικό εργαλείο. Απομακρύνετε προσεκτικά το εμπόδιο και, στη συνέχεια, επανατοποθετήστε τη συστοιχία μπαταριών και επανεκκινήστε το ηλεκτρικό εργαλείο.</li> </ul>
Υπερβολικοί κραδασμοί ή θόρυβος.	<ul style="list-style-type: none"> <li>■ Στεγνές ή διαβρωμένες λεπίδες.</li> <li>■ Οι λεπίδες ή η υποστήριξη λεπίδας έχει λυγίσει.</li> <li>■ Λυγισμένη ή φθαρμένη οδόντωση.</li> <li>■ Λασκαρισμένα μπουλόνια λεπίδας.</li> </ul>	<ul style="list-style-type: none"> <li>■ Λιπάνετε τις λεπίδες.</li> <li>■ Αντικαταστήστε τη λεπίδα ή την υποστήριξη σύμφωνα με την ενότητα «ΑΝΤΙΚΑΤΑΣΤΑΣΗ ΤΗΣ ΛΕΠΙΔΑΣ» του παρόντος εγχειριδίου ή επικοινωνήστε με το κέντρο σέρβις της EGO για αντικατάσταση.</li> <li>■ Αντικαταστήστε τη λεπίδα σύμφωνα με την ενότητα «ΑΝΤΙΚΑΤΑΣΤΑΣΗ ΤΗΣ ΛΕΠΙΔΑΣ» του παρόντος εγχειριδίου ή επικοινωνήστε με το κέντρο σέρβις της EGO για αντικατάσταση.</li> <li>■ Συσφίξτε τα μπουλόνια λεπίδας. Χρησιμοποιώντας ένα εξαγωνο κλειδί (δεν παρέχεται), περιστρέψτε το μπουλόνι δεξιόστροφα για να το συσφίξετε.</li> </ul>

GR

## ΕΓΓΥΗΣΗ

### ΠΟΛΙΤΙΚΗ ΕΓΓΥΗΣΗΣ EGO

Επισκεφθείτε την ιστοσελίδα [egopowerplus.com](http://egopowerplus.com) για όλους τους όρους και τις προϋποθέσεις της πολιτικής εγγύησης EGO.

## TÜM TALİMATLARI OKUYUN!



### KULLANIM KILAVUZUNU OKUYUN

**⚠️ Artık risk!** Kalp pili gibi elektronik cihaz kullanan kişiler bu ürünü kullanmadan önce hekimlerine danışmalıdır. Elektrikli cihazların, kalp pili yakınında çalıştırılması kalp piline parazite veya arızaya neden olabilir.

**⚠️ UYARI:** Güvenliği ve güvenilirliği sağlamak için, tüm onarım ve değiştirme işlemleri yetkili bir servis teknisyeni tarafından gerçekleştirilmelidir.

## GÜVENLİK SEMBOLÜ

Güvenlik sembollerinin amacı olası tehlikelere dikkatinizi çekmektir. Güvenlik sembolleri ve yanlarındaki açıklamalar özel dikkat ve anlayış göstermenizi gerektirir. Uyarı sembolleri kendi başlarına herhangi bir tehlikeyi gidemez. Sundukları talimat ve uyarılar uygun kaza önleme önlemlerinin yerine geçmez.

**⚠️ UYARI:** Bu aleti kullanmadan önce, "TEHLİKE", "UYARI" ve "DİKKAT" gibi tüm güvenlik uyarı ve sembollerini içeren bu Kullanım Kılavuzu içerisindeki tüm güvenlik talimatlarını okuyup anladığınızdan emin olun. Aşağıdaki talimatların tamamına uyulmaması elektrik çarpması, yangın ve/veya ciddi kişisel yaralanma ile sonuçlanabilir.

## SEMBOLÜN ANLAMI

**⚠️ GÜVENLİK UYARI SEMBOLÜ: TEHLİKE, UYARI VEYA DİKKAT** demektir, diğer semboller veya resimlerle birlikte kullanılabilir.



**⚠️ UYARI:** Elektrikli aletlerin kullanımı yabancı nesnelere gözlerinize fırlatılması sonucunu doğurabilir, bu da gözlerde ciddi hasara yol açabilir. Elektrikli aleti kullanmaya başlamadan önce, daima göz koruması veya yan siperleri olan koruyucu gözlük takın ve gerektiğinde tam yüz siperi kullanın. Gözlük üzerine kullanım için Wide Vision Koruyucu Maske ya da yan siperleri olan standart koruyucu gözlükleri tavsiye ederiz.

## GÜVENLİK TALİMATLARI

Bu sayfada, bu ürün üzerinde görülebilecek güvenlik sembolleri gösterilmekte ve açıklanmaktadır. Makineyi monte etmeye ve kullanmaya başlamadan önce, makineye ilişkin

tüm talimatları okuyup anlayın ve bu talimatlara uyun.

	Güvenlik Uyarısı	Potansiyel bir kişisel yaralanma tehlikesini gösterir.
	Kullanım Kılavuzunu Okuyun	Yaralanma riskini azaltmak için kullanıcı, kullanma kılavuzunu mutlaka okumalıdır.
	Elektrik güç hatlarından yeterli uzaklıkta durun	Elektrik çarpmasını önlemek için, havai güç hatlarının 15m dahilinde çalışmayın. Güç hatlarıyla temas veya güç hatlarının yakınında kullanılması ciddi yaralanma veya elektrik çarpmasına neden olarak ölüme yol açabilir.
	Gürültü	Garanti edilen ses gücü seviyesidir. Avrupa Birliği Yönetmeliği'ne göre çevre gürültü emisyonu.
	CE	Bu ürün, yürürlükteki AB yönetmeliklerine uygundur.
	WEEE	Atık elektrikli ürünler, evsel atıklar ile birlikte imha edilmemelidir. Yetkili bir geri dönüşüm merkezine teslim edin.
	Elleri ve ayakları kesme aletinden uzak tutun	Elektrikli aletinizi asla tek elle çalıştırmaya kalkışmayın. Elektrikli aletin kontrol kaybı ciddi veya ölümcül yaralanmalarla sonuçlanabilir. Kesme yaralanma riskini düşürmek için ellerinizi ve ayaklarınızı kesme aletinden uzak tutun. Asla hareket halindeki kesme aletine elinizle veya vücudunuzun herhangi bir başka kısmı ile dokunmayın.
	Koruyucu gözlük ve kask takın	Bu ürünü kullanırken daima göz koruması ve kask kullanın.
IPX5	IP Sembolü	Su girişine karşı koruma derecesi 5

TR

V	Volt	Voltaj
mm	Milimetre	Uzunluk veya boyut
cm	Santimetre	Uzunluk veya boyut
kg	Kilogram	Ağırlık
	Doğru Akım	Akımın türü veya özelliği

## ⚠ ÇİT BUDAMA MAKİNESİ GÜVENLİK UYARILARI

- Tüm vücut azalarınızı kesici bıçaktan uzak tutun. Bıçaklar hareket halindeyken kesme malzemesini çıkarmayın veya kesilecek malzemeyi tutmayın. Sıkışan malzemeleri çıkarırken açma kapama düğmesinin kapalı olduğundan emin olun. Çit budama makinesini çalıştırırken bir anlık gaflet, ciddi kişisel yaralanmalara neden olabilir.
- Çit budama makinesini, kesici bıçak çalışmıyorken sapından tutarak taşıyın. Çit budama makinesini taşırken veya saklarken mutlaka kesici cihaz kılıfını takın. Çit budama makinesinin düzgün kullanılması kesici bıçaklar nedeniyle oluşacak kişisel yaralanmaları azaltacaktır.
- Çit budama makinesini taşırken veya saklarken her zaman bıçağın kapağını takın. Çit budama makinesinin düzgün taşınması bıçaklar nedeniyle oluşacak kişisel yaralanma riskini azaltacaktır.
- Sıkışan malzemeyi temizlerken veya üniteye bakım yaparken, tüm güç düğmelerinin kapalı olduğundan ve akünün çıkarıldığından veya bağlantısının kesildiğinden emin olun. Sıkışan malzemeyi temizlerken veya bakım yaparken çit budama makinesinin beklenmedik şekilde çalıştırılması ciddi kişisel yaralanmalara neden olabilir.
- Sıkışan malzemeyi temizlerken veya üniteye bakım yaparken, tüm güç düğmelerinin kapalı olduğundan ve kilitin kilitleti konumunda olduğundan emin olun. Sıkışan malzemeyi temizlerken veya bakım yaparken çit budama makinesinin beklenmedik şekilde çalıştırılması ciddi kişisel yaralanmalara neden olabilir.
- Bıçağı görünmeyen kablolar ile temas edebileceği için budama makinesini sadece yalıtımlı tutma yüzeylerinden tutun. "Elektrik akımlı" bir kabloya temas eden bıçaklar budama makinesinin metal kısımlarının da "elektrik akımlı" olmasına sebep olabilir ve çalışan kişinin çarpmasına neden olabilir.
- Tüm güç kablolarını ve kordonları kesim alanından uzak tutun. Güç kabloları veya kordonlar çalılar arasında gizlenmiş olabilir ve bıçak tarafından yanlışlıkla kesilebilirler.

- Köttü hava koşullarında, özellikle de yıldırım riski olduğunda çit budama makinesini kullanmaktan kaçının. Bu sayede yıldırım çarpması riskini azaltmış olursunuz.

## ⚠ TÜM UZATMALI ÇİT BUDAMA MAKİNELERİ İÇİN EK GÜVENLİK TALİMATLARI

- Elektrik çarpması riskini azaltmak için çit budama makinesini asla elektrik kablolarının yakınında kullanmayın. Güç hatlarıyla temas veya güç hatlarının yakınında kullanılması ciddi yaralanma veya elektrik çarpmasına neden olarak ölüme yol açabilir.
- Uzatılmış çit budama makinesini çalıştırırken her zaman iki elinizi kullanın. Kontrol kaybını önlemek için uzatılmış erişimli çit budama makinesini iki elinizle tutun.
- Uzatılmış erişimli çit budama makinesini başın üstünde çalıştırırken daima baş koruması kullanın. Düşen kalıntılar ciddi kişisel yaralanmalar meydana gelebilir.
- Çalışma öncesinde çit içinde tel örgü gibi yabancı cisimlerin ve gizli kabloların bulunup bulunmadığını kontrol edin.
- Elektrikli aleti sadece yalıtımlı kavrama yüzeylerinden tutun.
- Çit düzelticinin, merdivenler veya diğer dengesiz destekler üzerinde değil, operatör tarafından zemin seviyesinde kullanılması amaçlanmıştır.
- Sadece şek. A2'de listelenen akü ve şarj cihazlarını kullanın.

## BU TALİMATLARI SAKLAYIN

## EK ÖZEL GÜVENLİK KURALLARI İLGİLİ AKSESUARIN KULLANICI KILAVUZUNDA BULUNABİLİR

## TEKNİK ÖZELLİKLER

Bıçak Uzunluğu	510 mm
Kesme Kapasitesi	26 mm
Önerilen Çalışma Sıcaklığı	0 °C - 40 °C
Önerilen Depolama Sıcaklığı	-20 °C - 70 °C
Ağırlık	2,67 kg
Ölçülen ses güç düzeyi $L_{WA}$	93,75 dB(A) K=1,7 dB(A)
Kullanıcının kulağındaki ses gücü seviyesi $L_{PA}$	83 dB(A) K=3 dB(A)

Garanti edilen ses gücü seviyesi $L_{WA}$ (2000/14/EC uyarınca ölçülen)		95 dB(A)
Titreşim değeri $a_n$	Front handle	1,3 m/s <sup>2</sup> K=1,5 m/s <sup>2</sup>
	Rear handle	1,5 m/s <sup>2</sup> K=1,5 m/s <sup>2</sup>

- Yukarıdaki parametreler, PPX1000 elektrikli alet başlığı takılı olarak test edilmiş ve ölçülmüştür.
- Bildirilen toplam titreşim değeri standart test yöntemine uygun olarak ölçülmüştür ve bir cihazı diğer bir cihaz ile karşılaştırmak için kullanılabilir.
- Bildirilen toplam titreşim değeri ayrıca ön maruz kalma değerlendirmesinde de kullanılabilir.

**DİKKAT:** Elektrikli aletin gerçek kullanımı sırasında meydana gelen titreşim emisyonu aletin kullanım şekline bağlı olarak bildirilen değerden farklı olabilir; Operatörü korumak için, kullanıcı gerçek kullanım koşullarında eldiven ve kulak koruması takmalıdır.

## AÇIKLAMA

### ÇİT BUDAMA AKSESUARINI TANIYIN (Şek. A1)

- Arka Burç
- Ön Burç
- Motor Gövdesi
- Bıçak kılıfı
- Bıçak

### PAKET LİSTESİ (A2)

## MONTAJ

**UYARI:** Hasarlı veya eksik parça varsa, bu parçalar değiştirilinceye kadar ürünü çalıştırmayın. Bu ürünün hasarlı veya eksik parçalar ile kullanılması ciddi kişisel yaralanmalara yol açabilir.

**UYARI:** Parçaları monte ederken, ayar yaparken, temizlikten önce ve ürün kullanımda değilken daima aküyü üründen çıkarın.

### KESME KAFASI AÇISI AYAR DÜĞMESİ

Çit budama aksesuarı paketten çıkarıldığında, saklama konumunda katlanmış (Şekil B). Kesme kafasının eklem açısı ve radyal dönüşü bağımsız olarak ayarlanabilir. Kullanmadan önce kesme kafasını uygun bir çalışma konumuna ayarlayın.

### Kesme Açısı Ayar Düğmesi

Altı olası çalışma pozisyonu vardır. Kesme bıçağının açısı -68° ile 42° arasında değiştirilebilir (Şek. C).

- Ön burcu geri çekin ve ardından kesme açısını istenen konuma döndürmek için motor kapağını sıkıca tutun.

C-1	Ön Burç
C-2	Arka Burç

- İstenen açiya erişildikten sonra kesme kafasını yerine kilitlemek için burcu ileri itin.

### Radyal Dönüş Açısı

İki dikey kesme konumu vardır (Şek. D). Sola veya sağa 90° ayarlanabilir.

- Arka burcu geri çekin ve ardından bıçağı istenen konuma döndürmek için motor kapağını sıkıca tutun.
- İstenen açiya erişildikten sonra kesme kafasını yerine kilitlemek için burcu ileri itin.

**UYARI:** Yaralanma riskini azaltmak için, ayarlamalar yapmadan önce aküyü çıkarın ve ayarları yalnızca bıçaklar dururken yapın. Ayarlamaları yaparken bıçaklara asla dokunmayın.

**UYARI:** Döküm alaşımli dişli kutusu sıcaktır. PPE eldivenleri giymeden döküm alaşımli dişli kutusu yüzeyine asla dokunmayın.

### ÇİT BUDAMA MAKİNESİNİN ELEKTRİKLİ UZATMAYA BAĞLANMASI/ÇIKARILMASI (Şek. E)

Bu çit budama makinesi aksesuarı EGO uzatma PPX1000 ile kullanılmak üzere tasarlanmıştır.

Çit budama makinesinin elektrikli uzatmaya bağlanması için elektrikli uzatma PPX1000 operatör kılavuzundaki "ELEKTRİKLİ UZATMAYA AKSESUARIN TAKILMASI" bölümüne bakın.

Çit budama makinesinin elektrikli uzatmaya bağlanması için elektrikli uzatma PPX1000 operatör kılavuzundaki "ELEKTRİKLİ UZATMANIN AKSESUARIN ÇIKARILMASI" bölümüne bakın.

### UÇ KORUYUCUNUN MONTE EDİLMESİ (Opsiyonel)

- Kesme bıçağının ucundaki kısa civatayı, düz rondelayı, burç ve somunu çıkarmak için bir alyen anahtar kullanın. Düz rondelayı, somunu ve burcu tekrar kurulum için saklayın (Şek. F).

F-1	Somun	F-3	Düz Rondela
F-2	Burç	F-4	Kısa Civata

2. Uç koruyucusunu kesme bıçağındaki çıkıntı ile hizalayın ve yerine monte edin. Yeni uzun civata ve somunla ve de saklanan rondela, burç ve somunda emniyete alın (Şek. G).

G-1	Somun	G-4	Burç
G-2	Uç Koruyucu	G-5	Düz Rondela
G-3	Somun	G-6	Uzun Civata

## ÇALIŞTIRMA

**⚠ TEHLİKE:** Asla yakınlarıdaki güç hatlarını, elektrik kablolarını veya diğer elektrik kaynaklarını kesmeyin. Kesme bıçakları herhangi bir elektrik kablo veya hatta sıkışırsa, **ALÜMİNYUM SAPA VEYA KESME BIÇAĞA DOKUNMAYIN! ELEKTRİKLİ OLABİLİRLER VE ÇOK TEHLİKELİ SONUÇLAR DOĞABİLİR.** Çit budama aksesuarının yalıtımlı sapından tutmaya devam edin veya yere yatırın ve sizden uzak bir şekilde tutun. Bıçağı kablodan kurtarmaya çalışmadan önce hasarlı elektrik hattına giden elektrik beslemesini kesin. Bıçağı veya çit budama aksesuarının diğer iletken parçalarına ya da canlı elektrik kabloları veya hatlarına temas, elektrik çarpması sonucu ölüm veya ciddi yaralanmaya yol açabilir.

**⚠ UYARI:** Ürüne aşına olmanız sizi dikkatsiz yapmasın. Bir anlık dikkatsizliğin ciddi yaralanmalara sebep olabileceğini unutmayın.

**⚠ UYARI:** Daima koruyucu gözlük takın. Aksi halde gözlerinize nesnelere fırlayabilir ve başka ciddi yaralanmalar oluşabilir.

**⚠ UYARI:** Bu ürünün üreticisi EGO™ tarafından tavsiye edilmeyen herhangi bir ataşmanı veya aksesuarı kullanmayın. Tavsiye edilmeyen aksesuarların veya ataşmanların kullanımı ciddi kişisel yaralanmalara sebep olabilir.

## TR

### UYGULAMALAR

Bu ürünü, Ø 26mm'ye kadar çapa sahip dalları olan çitleri, çalılıkları, bodur ağaçları veya benzeri malzemeleri budamak için kullanabilirsiniz.

### ÇİT BUDAMA MAKİNESİNİ UZATMA AKSESUARINI KULLANMA

**⚠ UYARI:** Bu cihazı kullanırken yaralanma riskini azaltmak için uygun şekilde giyinin. Bol giysiler giymeyin veya takı takmayın. Göz ve kulak/ışıtme koruması kullanın. Dayanıklı, uzun pantolon, eldiven ve bot giyin. Kısa pantolon, sandalet giymeyin veya çıplak ayakla çalışmayın.

### KESMEYE HAZIRLIK:

1. Kesme kafasını istenilen çalışma pozisyonuna ayarlayın.
2. Kesme bıçağından bıçak kınını çıkarın.
3. Güvenli ve daha iyi çalışma için, omuzunuza omuz askısını takın. Omuz askısını rahat bir çalışma konumuna ayarlayın. PPX1000 sayılı kullanma kılavuzundaki "**OMUZ ASKISININ TAKILMASI**" bölümündeki talimatlara uyarak omuz askısını elektrikli alet başlığına takın.

**⚠ UYARI:** Omuz askısı ayrıca tehlikeli durumlarda hızla çıkarılabilen bir mekanizmadır. Acil bir durumda, askı hangi şekilde takılı olursa olsun derhal omuzunuzdan çıkarın.

**⚠ UYARI:** Uzatılmış çit budama makinesini çalıştırırken her zaman iki elinizi kullanın. Kontrol kaybını önlemek için uzatılmış erişimli çit budama makinesini iki elinizle tutun. PPX1000 operatör kılavuzundaki "**ELEKTRİKLİ UZATMAYI TUTMA**" bölümündeki talimatları izleyin.

### ÇALIŞMA TEKNİKLERİ

#### Yatay Kesme (belli bir açıda kesme başlığı ile)

Ayakta dururken yere yakın kesin, ör. alçak çalılırları kesme. Çit boyunca hareket ederken kesme kafasını sağa ve sola çevirin - bıçakların her iki tarafını kullanın ve kesici bıçağı yere koymayın (Şek. H).

#### Yatay Kesme (düz kesme kafası ile)

Çit budama makinesini yatay olarak yavaşça döndürürken kesme başlığını 0° açıyla tutun. Kesme başını bir yay şeklinde çitin dış kısımlarına doğru kesilen parçalar yere süpürülecek şekilde savurun (Şek. I).

**Tavsiye:** Bu çalışma pozisyonunda göğüs yüksekliğinden daha yüksek olmayan çitlerin budayın.

#### Dikey Kesme (belli bir açıda kesme kafası ile)

Doğrudan çitin yanında durmadan kesin, örneğin operatör ve çit arasındaki çiçek yatağında.

Uzatmalı çit budama makinesini daha iyi kontrol edebilirsiniz için bu kesme pozisyonunda çit budama aletini kesme alet başlığına bağlamanız tavsiye edilir.

Çit boyunca kafayı bir yay şekline yukarı ve aşağı savurun - kesme kafasının her iki tarafını da kullanın (Şek. J).

#### Dikey Kesme (düz kesme kafası ile)

Başka yardıma ihtiyaç duymadan ekstra yükseğe ulaşma imkanı. Çit boyunca kafayı bir yay şekline yukarı ve aşağı savurun - kesme kafasının her iki tarafını da kullanın (Şek. K).

### Baş Yüksekliği Üzerinde Kesme (belli bir açıda kesme kafası ile)

Çit budama makinesini dikey halde tutun ve ulaşacağı mesafeden en iyi şekilde faydalanmak için yay şeklinde savurun (Şek. L1 ve L2). Aşırı yüksek çit için, uzatma sapı budama işinde yardımcı olmak için uygundur.

**⚠ UYARI:** Baş yüksekliği üzerindeki herhangi çalışma pozisyonu yorucudur. Kaza riskini en aza indirmek için, sadece kısa bir süre bu tür pozisyonlarda çalışılmalıdır. Aletin yeterli erişim sağlayacak daha az yorucu bir konumda (omuz askısı ile) daha aşağıda tutulabilmesi için ayarlanabilir kesme kafasının açısını maksimum olarak ayarlayın.

### ÇİHAZI ÇALIŞTIRMA/DURDURMA

Elektrikli uzatma aksesuarı PPX1000 operatör kılavuzundaki "ELEKTRİKLİ UZATMA AKSESUARINI BAŞLATMA/DURDURMA" bölümüne bakın.

### BAKIM

**⚠ UYARI:** Bakım yaparken sadece aynı olan yedek parçaları kullanın. Makineyi düzenli olarak kontrol edin ve bakımını yapın. Emniyet ve güvenliliği sağlamak için tüm tamir işleri uzman bir servis teknisyeni tarafından yapılmalıdır.

**⚠ UYARI:** Cihazın kontrol, temizlik veya bakımından önce motoru durdurun ve tüm hareketli parçaların durmasını bekleyin, ardından aküyü çıkarın. Bu talimatlara uyulmaması ciddi kişisel yaralanmalara veya maddi hasara yol açabilir.

**⚠ DİKKAT:** Her kullanımdan önce ürünü inceleyerek hasarlı, eksik veya vida, somun, cıvata, kapak vb. gevşek parça olup olmadığını kontrol edin. Tüm bağlantı parçalarını ve kapakları sıkın, bu ürünü eksik veya hasarlı parçalar tamamlanmadan çalıştırmayın. Müşteri hizmetleri veya kalifiye bir servis teknisyeni ile irtibata geçin.

### GENEL BAKIM

Plastik parçaları temizlerken çözücü maddeler kullanmaktan kaçının. Çoğu plastik malzeme çeşitli ticari çözücü türlerinden etkilenmeye yatkındır ve bu çözücü maddelerin kullanılması durumunda zarar görebilirler. Kir, toz, yağ, gres vb. gidermek için temiz bez kullanın.

### ÇİT BUDAMA AKSESUARININ TEMİZLENMESİ

1. Motoru durdurun ve aküyü çıkarın.
2. Yumuşak bir deterjanlı nemli bir bezle çit budama aksesuarından kir ve kalıntıları temizleyin.

**DİKKAT:** Plastik gövde veya tutma sapı üzerinde güçlü deterjanlar kullanmayın. Çam ve limon gibi belirli aromatik yağlar bu yüzeylere zarar verebilir.

### ÇİT BUDAMA AKSESUARININ SAKLANMASI

1. Motoru durdurun ve elektrikli uzatma kolundan aküyü çıkarın.
2. Çit budama makinesini elektrikli uzatma aksesuarından çıkarın.
3. Çit budama aksesuarındaki tüm yabancı maddeleri temizleyin.
4. Aleti çocukların ulaşamayacağı kapalı bir yerde saklayın.
5. Bahçe kimyasalları ve eritici tuzlar gibi aşındırıcı maddelerden uzak tutun.

### BİÇAĞI DEĞİŞTİRME

**⚠ UYARI:** Bıçakla çalışırken daima eldiven takın; bu bileşenler keskindir ve çapak içerebilirler.

1. Aleti kapatın ve aküyü çıkarın.
2. Kolay montaj için bıçak tertibatının çit düzeltme makinesi mili ile aynı hizada olmasını sağlayarak bıçağı yatay konuma ayarlayın (Şek. M)

M-1	Vida 1# (kısa vidalar)	M-6	Burç
M-2	Alt Kapak	M-7	Vida 2# (uzun vidalar)
M-3	Destek Plakası 3#	M-8	Destek Plakası 2#
M-4	Bağlantı Kolu	M-9	Bıçak Aksamı
M-5	Destek Plakası 1#	M-10	Eksantrik Bloğu

3. Alt kapaktaki 6 vidayı 1# (kısa vidalar) gevşetmek için alyen anahtar (dahil değildir) kullanın ve çıkarın.
4. Destek plakası 1 # & 2 # ile 2 burcu çıkarmak için 2 vidayı 2 # (uzun vidalar) gevşetmeye devam edin. 2 burç, bıçak düzeneğindeki iki yuvartak dikdörtgen yuvanın içinde ayrı olarak bulunur.
5. Destek plakasını 3# çıkarın.
6. Bağlantı kolunu dikkatlice bıçaktan çıkarın.
7. Bıçak tertibatını aletten çıkarın ve eksantrik blok montaj konumunun değişmeden kaldığından emin olun.
8. Yeni bıçak düzeneğini yerine takmak için yeni bıçak düzeneğindeki içe doğru çıkıntıyı bağlantı kolunun içindeki delikle hizalayın.
9. İki burcu iki yuvartatılmış dikdörtgene ayrı ayrı yerleştirin.
10. Destek plakasını 1# monte edin ve ardından destek

plakasını 2# monte edin.

11. Bıçaktaki iç delikleri, burçları ve destek plakalarındaki delikleri dişli kutusundaki vida delikleriyle aynı hizada tutun. 2 uzun vidayı hizalanmış deliklere takın ve iyice sıkın.
12. Bıçağın serbestçe hareket edip etmediğini kontrol etmek için üst bıçağı hafifçe ileri geri hareket ettirin. Değişirse, üst bıçak serbestçe hareket edebilene kadar bıçakları yeniden birleştirin.
13. Bağlantı kolunu takın.
14. Destek plakasını yerine takmak için destek plakasının 3# deliğini eksantrik blok üzerindeki çıkıntıyla hizalayın, plakanın her iki kenara paralel olarak tam olarak merkezde bulunduğundan emin olun.
15. Alt kapağı dişli kutusuna monte edin ve 6 kısa vidayla sabitleyin.

## BİÇAĞIN YAĞLANMASI (Şek. N)

En iyi çalışma ve daha uzun bıçak ömrü için, çit budama makinesinin bıçağını her kullanımdan sonra pas önleyici yağ ile yağlayın. YAĞ DELİĞİNİ TAMAMEN YAĞLA DOLDURMAYIN.

1. Dişli kutusu üzerindeki yağlama deliği vidasını bir alyen anahtarla (dahil değildir) çıkarın.

N-1 Yağlama Deliği Vidası

2. Gres deliğinden dişli kutusuna 5g gres enjekte edin.
3. Bittğinde vidayı sıkın.

## DİŞLİ KUTUSUNUN YAĞLANMASI

En iyi çalışma ve daha uzun ömür için, çit budama makinesinin aksesuarının tahrik dişlisini her 100 saatte bir özel bir gresle yağlayın.

Yağ aşağıdaki gereksinimleri sağlamalıdır:

- NLGI Sınıfı Penetrasyonla: NLGI-2;
- Koyulaştırıcı Türü: Poliüre;
- Önerilen Çalışma Sıcaklığı: -40°C - 180°C;
- Yukarıdakilerin dışında gres, olağanüstü basınç özellikleri ve mükemmel aşınma önleme özelliği ve mükemmel oksidasyon kararlılığı ile kaymaya karşı kararlı olmalıdır.

Gres yağıyla doldurmak için aşağıdaki adımları takip edin:

1. Aleti kapatın ve aküyü çıkarın.
2. Motor kapağındaki (O-2) 3 kısa vidayı (O-1) gevşetmek ve çıkarmak için alyen anahtar (ürünle birlikte verilmez) kullanın ve ardından motor kapağını çıkarın (Şekil O).

O-1	Kısa Vida	O-5	Rondela
O-2	Motor Kapağı	O-6	Dişli Kutusu
O-3	Kısa Vida	O-7	Planet Dişliler
O-4	Motor		

3. Motordaki 3 kısa vidayı (O-3) gevşetin ve ardından motoru ve rondelayı ayırın.

4. Dişli kutusuna 3 üst planet dişlisinin (O-7) ortasına 5g gres enjekte etmek için bir gres tabancası (dahil değildir) kullanın.

**NOT:** Enjeksiyon sırasında dişli kutusu yakınındaki diğer parçaların konumunun değişmediğinden emin olun.

5. 3 kısa vidayı (O-3) sıkarak rondela ve motoru yeniden monte edin.
6. 3 kısa vidayı (O-1) sıkarak motor kapağını yeniden monte edin.
7. Normal çalışıp çalışmadığını kontrol etmek için aracı başlatın. Düzgün çalışmıyorsa yukarıdaki adımları takip ederek gibi yeniden monte edin.

**NOT:** Motor kapağını çıkardıktan sonra, motorun etrafındaki talaşı temizleyin.

## Çevre koruması



Elektrikli cihazları, akü şarj cihazını ve aküleri/şarj edilebilir aküleri evsel atıklarla birlikte atmayın!



## SORUN GİDERME

SORUN	SEBEP	ÇÖZÜM
Çit budama makinesi çalışmıyor.	<ul style="list-style-type: none"><li>■ Çim biçme makinesi ile akü arasında elektrik bağlantısı yok.</li><li>■ Akü boşalmıştır.</li><li>■ Akü veya alet aşırı ısınma korumasında</li><li>■ Bıçak sıkışmış.</li></ul>	<ul style="list-style-type: none"><li>■ Aküyü çıkarın, temas noktalarını kontrol edin ve aküyü yeniden takın.</li><li>■ Aküyü şarj edin.</li><li>■ Akü veya elektrikli uzatma kolunun sıcaklığının 67°C'nin altına düşmesini ve soğumasını bekleyin.</li><li>■ Aküyü aletten çıkarın. Engeli dikkatle çıkarın ve aküyü tekrar geri takarak aleti yeniden başlatın.</li></ul>
Aşırı titreşim veya gürültü.	<ul style="list-style-type: none"><li>■ Kuru veya paslı bıçaklar.</li><li>■ Bıçaklar veya bıçak desteği eğilmiş.</li><li>■ Eğik veya hasarlı dişler.</li><li>■ Gevşek bıçak cıvataları.</li></ul>	<ul style="list-style-type: none"><li>■ Bıçakları yağlayın.</li><li>■ Bu kılavuздaki "BIÇAĞIN DEĞİŞTİRİLMESİ" bölümünü izleyerek yeni bir bıçak veya destek ile değiştirin veya değiştirilmesi için EGO servis merkeziyle iletişime geçin.</li><li>■ Bu kılavuздaki "BIÇAĞIN DEĞİŞTİRİLMESİ" bölümünü izleyerek yeni bir bıçak ile değiştirin veya değiştirilmesi için EGO servis merkeziyle iletişime geçin.</li><li>■ Bıçak cıvatalarını sıkın. Aliyen anahtar (dahil değildir) kullanarak, cıvataı saat yönünde çevirerek sıkın.</li></ul>

## GARANTİ

### EGO GARANTİ POLİTİKASI

EGO Garanti politikasına ilişkin tüm hüküm ve koşullar için, lütfen [egopowerplus.com](http://egopowerplus.com) adresindeki web sitemizi ziyaret edin.

TR

## LUGEGE KÕIKI JUHISEID!



Lugege kasutusjuhendit

**⚠ Kaasnev risk!** Inimesed, kes kasutavad elektroonilisi seadmeid, nt südamestimulaatorit, peaksid enne selle toote kasutamist konsulteerima oma arstiga. Elektriseadmete kasutamine südamestimulaatori läheduses võib põhjustada südamestimulaatori häireid või rikkeid.

**⚠ HOIATUS!** Ohutuse ja töökindluse tagamiseks tohivad seda seadet remontida ainult vastava kvalifikatsiooniga hooldustehnikud.

## OHUTUSSÜMBOL

Ohutussümbolite eesmärk on pöörata tähelepanu võimalikele ohtudele. Ohutussümbolitele ja nende juures olevatele seletustele tuleb korralikult tähelepanu pöörata ja need endale selgeks teha. Ohutussümbolid iseenesest ei kõrvalda ohu olemasolu. Nendega kaasnevad juhendid ja hoiatused ei asenda asjakohaseid õnnetuste ennetamise meetmeid.

**⚠ HOIATUS!** Enne käesoleva seadme kasutamist lugege kindlasti läbi ja tehke endale selgeks kõik Kasutusjuhendis toodud ohutusjuhised, sh kõik ohutussümbolid nagu „OHT”, „HOIATUS”, ja „ETTEVAATUST”. Kui kõiki allpool loetletud juhiseid ei järgita, võib tagajärjeks olla elektrilöök, tulekahju ja/või tõsised isikuvigastused.

## SÜMBOLITE TÄHENDUSED

**⚠ TURVATEATE SÜMBOL** Sümboloid OHT, HOIATUS, VÕI ETTEVAATUST võidakse kasutada koos teiste sümbolite või piktograafidega.



**⚠ HOIATUS!** Mis tahes elektriliste tööriistade kasutamine võib põhjustada võõrkehade paiskumist silma, mis võib põhjustada raskeid silmakahjustusi. Kandke elektriliste tööriistade kasutamise ajal alati kaitseprille või külgkaitsetega kaitseprille ja vajadusel täielikku näokaitset. Soovitame kanda prillide peal laia vaatealaga kaitsemaski või tavalisi külgkaitsetega kaitseprille.

## OHUTUSJUHISED

Sel lehel on kujutatud ja kirjeldatud ohutussümboloid, mida võib käesolevalt tootelt leida. Enne seadme kokkupanemist ja kasutamist lugege, tehke omale selgeks ja järgige kõiki juhiseid.

	Ohutusteade	Tähistab võimalikku kehavigastuste ohtu.
	Lugege kasutusjuhendit	Vigastuste ohu vähendamiseks peab kasutaja enne toote kasutamist kasutusjuhendit lugema.
	Hoidke elektriliinidega piisavat vahet.	Elektrilöögi vältimiseks ärge kasutage seadet elektrihüliinidele lähemal kui 15 m. Kokkupuude elektriliinidega või nende läheduses töötamine võib põhjustada raskeid vigastusi või anda surmava elektrilöögi.
	Müra	Garanteeritud helivõimsuse tase. Seadme müra keskkonnas on Euroopa Ühenduse direktiiviga vastavuses.
	CE	Toode vastab rakendatavatele EÜ direktiividele.
	WEEE	Elektriseadmete jäätmeid ei tohi visata olmejäätmete hulka. Viige volitatud taaskäitleja juurde.
	Hoidke käed ja jalad löikurist eemal	Ärge püüdke kunagi oma elektrilist tööriista ühe käega kasutada. Seadme üle kontrolli kaotamine võib tuua kaasa tõsise või eluohtliku vigastuse. Lõikevigastuste riski vähendamiseks hoidke käsi ja jalgu löiketerast eemal. Ärge puudutage liikuvat löiketera kunagi oma käega või mõne muu kehaosaga.

ET

	Kandke silmade kaitsevahendeid ja tugevat peakatet	Kasutage seadmega töötades silmade kaitsevahendeid ja tugevat peakatet.
IPX5	JP-sümbol	5. astme kaitse vee sissepääsu vastu
V	volti	Pinge
mm	Millimeeter	Pikkus või suurus
cm	Sentimeeter	Pikkus või suurus
kg	Kilogramm	Kaal
	Alalisvool	Voolu tüüp või omadus

### HEKITRIMMERI TURVAHOIATUSED

- **Vältige kehaosade kokkupuudet lõikuri teraga.** Ärge eemaldage lõigatud tükke ega hoidke lõigatavat objekti, kui terad liiguvad. Enne kinnikiilunud materjali eemaldamist veenduge, et lüliti on mitteaktiivses asendis. Isegi hetkeline tähelepanematus hekitrimmeri kasutamise ajal võib põhjustada tõsiseid vigastusi.
- **Hekitrimmerit käepidemest hoides teise kohta kandes peab lõikuri tera peatunud olema.** Hekitrimmeri transpordi või hoistamise ajaks tuleb alati paigaldada lõikeseadme katte. Hekitrimmeri korrektne käsitsemine vähendab lõiketerade tekitatavate vigastuste ohtu.
- **Hekilõikuri transpordi või hoistamise ajaks tuleb alati paigaldada lõiketera kate.** Hekilõikuri korrektne kasutamine vähendab lõiketerade tekitatavate vigastuste ohtu.
- **Kinnikiilunud materjali eemaldamisel või seadme hooldamisel veenduge, et kõik toitelülitid on välja lülitatud asendis ning akuplokk on eemaldatud või lahti ühendatud.** Hekilõikuri ootamatu käivitumine kinnikiilunud materjali eemaldamisel või seadme hooldamisel võib põhjustada raskeid vigastusi!
- **Kinnikiilunud materjali eemaldamisel või seadme hooldamisel veenduge, et kõik toitelülitid on väljalülitatud asendis ning seadme lukustus on lukustatud asendis.** Hekilõikuri ootamatu käivitumine kinnikiilunud materjali eemaldamisel või seadme hooldamisel võib põhjustada raskeid vigastusi!
- **Hoidke hekilõikurit vaid selle isoleeritud haardepindadest, sest tera võib puutuda kokku peidetud kaablitega.** Voolu all olevate juhtmetega kokku puutuvad lõiketerad võivad hekilõikuri metallosad voolu alla viia ning kasutaja võib saada elektrilöögi.

- **Hoidke kõik toitejuhtmed ja kaablid lõiketerade tööpiirkonnast eemal.** Töö ajal võivad juhtmed või kaablid olla heki- või pöösakste varjus ning te võite need kogemata läbi lõigata.
- **Ärge kasutage hekilõikurit halva ilmaga, eriti äikesu ohu korral.** Niiviisi vähendate pikselöögi saamise ohtu.

### TÄIENDAVAD OHUTUSJUHISED

#### KAUGELEULATUVATA HEKITRIMMERITE PUHUL

- **Elektrilöögi ohu vähendamiseks ärge kunagi kasutage kaugeleulatuvat hekitrimmerit mistahes elektriliinide läheduses.** Kokkupuude elektriliinidega või nende läheduses töötamine võib põhjustada raskeid vigastusi või anda surmava elektrilöögi.
- **Kaugeleulatava hekilõikuriga töötades kasutage alati kaht kätt.** Seadme üle kontrolli kaotamise vältimiseks hoidke kaugeleulatuvat hekilõikurit mõlema käega.
- **Kaugeleulatava hekilõikuriga pea kohal töötades kasutage alati tugevat peakatet.** Kukkuv praht võib põhjustada tõsiseid isikuvigastusi.
- **Enne töö alustamist veenduge, et hekis pole võrkehi (nt võrkaed või varjatud juhtmed).**
- **Hoidke tööriista ainult isoleeritud kinnihoidmiskohtadest.**
- Hekilõikur on mõeldud kasutamiseks maapinnal ja mitte redelitel või mistahes muu ebastabiilse pinna peal.
- Kasutage ainult joonisel A2 esitatud akuplokke ja laadureid.

#### HOIDKE SEE KASUTUSJUHEND ALLES

#### TÄIENDAVAD SPETSIFILISED OHUTUSREEGLID LEIATE VASTAVA TARVIKU KASUTUSJUHENDIST

### SPETSIFIKATSIOONID

Tera pikkus	510 mm
Lõikevõimsus	26 mm
Soovituslik töökeskkonna temperatuur	0°C-40°C
Soovituslik hoistamise temperatuur	-20°C-70°C
Kaal	2,67 kg
Mõõdetud helivõimsuse tase $L_{WA}$	93,75 dB(A) K=1,7 dB(A)
Helirõhk seadme operaatori kõrva juures $L_{PA}$	83 dB(A) K=3 dB(A)

ET

Garanteeritud helivõimsuse tase $L_{WA}$ (mõõdetud vastavalt standardile 2000/14/EÜ)		95 dB(A)
Vibratsiooni $a_n$ mõõtmine	Eesmine käepide	1,3 m/s <sup>2</sup> K=1,5 m/s <sup>2</sup>
	Tagumine käepide	1,5 m/s <sup>2</sup> K=1,5 m/s <sup>2</sup>

- Ülaltoodud näitajaid on testitud ja mõõdetud, kasutades toitepead PPX1000.
- Esitatud vibratsioonitaseme näit on mõõdetud standardsete testmeetodite kohaselt ja seda võidakse kasutada erinevate tööriistade võrdlemiseks.
- Esitatud vibratsioonitaseme näitu võib kasutada ka alge kokkupuutehinnangu andmiseks.

**MÄRKUS!** Tegelikul kasutamisel tekiv vibratsioonitase võib esitatust erineda; turvalisuse eesmärgil peaks seadme kasutaja tegelikes kasutustingimustes kandma kindaid ja kuulmiskaitsmeid.

## KIRJELDUS

### TUNNE OMA HEKITRIMMERI TARVIKUT (joon. A1)

1. Tagumine tihend
2. Eesmine tihend
3. Mootori korpus
4. Tera kaitse
5. Tera

### PAKENDI LOEND (A2)

### KOKKUPANEK

**⚠ HOIATUS!** Kui mõni osa on kahjustatud või puudub, ärge kasutage seadet enne, kui see osa on parandatud. Kasutades kahjustatud või vajalike komponentideta seadet, võite saada raskeid vigastusi.

**⚠ HOIATUS!** Toote kokkupanemise, reguleerimise, puhastamise või mittekasutamise ajaks tuleb alati eemaldada akuplokk.

### LÕIKEPEA NURGA REGULEERIMINE

Hekilõikuri tarvik on pakendist väljavõtmisel kokkuvolditud transpordiasendis (joon. B). Lõikepea liigendosa nurka ja radiaalset liikumist saab reguleerida eraldiseisvalt. Enne töö alustamist seadke lõikepea sobivasse tööasendisse.

### Liigendosa nurga reguleerimine

Võimalikke tööasendeid on kuus. Lõiketera nurka saab reguleerida vahemikus -68° kuni 42° (joon. C).

1. Tõmmake eesmist tihendit tahapoole ja seejärel hoidke kindlalt mootori kattest ning seadke lõikenurk soovitud asendisse.

C-1	Eesmine tihend
C-2	Tagumine tihend

2. Kui soovitud asend on saavutatud, lükake tihendit ettepoole, et lõikepea asend lukustada.

### Radiaalse liikumise reguleerimine

Vertikaalseid lõikeasendeid on kaks (joon. D). Reguleerimine on võimalik 90° vasakule või paremale.

1. Tõmmake tagumist tihendit tahapoole ja seejärel hoidke kindlalt mootori kattest ning seadke tera soovitud asendisse.
2. Kui soovitud asend on saavutatud, lükake tihendit ettepoole, et lõikepea asend lukustada.

**⚠ HOIATUS!** Vigastuste ohu vähendamiseks eemaldage enne reguleerimist aku ja reguleerige ainult siis, kui terad ei liigu. Ärge kunagi puudutage seadistuste tegemisel terasid.

**⚠ HOIATUS!** Valusulamist käigukast on kuum. Ärge kunagi puudutage valusulamist käigukasti pinda ilma kaitsekinnasteta.

### HEKITRIMMERI TARVIKU TELESKOOPTOITEPEAGA ÜHENDAMINE/LAHTIÜHENDAMINE (joon. E)

See hekitrimmeri tarvik on mõeldud kasutamiseks koos EGO teleskooptoitepeaga PPX1000.

Hekitrimmeri ühendamist toitepeaga vaata PPX1000 kasutusjuhendi jaotisest „**TARVIKU ÜHENDAMINE TELESKOOPTOITEPEAGA**“.

Hekitrimmeri eemaldamist toitepeast vaata PPX1000 kasutusjuhendi jaotisest „**TARVIKU EEMALDAMINE TELESKOOPTOITEPEA KÜLJEST**“.

### OTSAKAITSME PAIGALDAMINE (valikuline)

1. Lõiketera otsas olevate lühikese poldi, seibi, tihendi ja mutri eemaldamiseks kasutage kuuskantvõtit (ei ole komplektis). Hoidke seib, tihend ja mutter uuesti kokkupaneku jaoks alles (joon. F).

F-1	Mutter	F-3	Seib
F-2	Tihend	F-4	Lühike polt

2. Joondage otsakaitse lõiketeral oleva kühmuga ning asetage see paika. Kinnitage see uue pika poldi ja mutriga ning alles jäetud seibi, tihendi ja mutriga (joon. G).

G-1	Mutter	G-4	Tihend
G-2	Tipukaitse	G-5	Seib
G-3	Mutter	G-6	Pikk polt

## SEADME KASUTAMINE

**⚠ OHT!** Ärge kunagi lõigake elektriliinide, elektrijuhtmete või muude elektriliikate läheduses. Kui lõiketerade vahele jääb elektrijuhe või -traat, **ÄRGE PUUDUTAGE TERA EGA ALUMIINIUMIST VART! NEED VÕIVAD OLLA VOOLU ALL JA VÄGA OHTLIKUD.** Hoidke hekilõikuri tarvikut isoleeritud käepidemest või pange see maha ja nihutage ettevaatlikult endast eemale. Enne kui üritate juhett või traati tera ümbert ära võtta, lülitage elekter välja. Kokkupuude lõiketeraga või muude hekitrimmeri elektrit juhtivate tarvikutega või voolu all olevate juhtmete või traatidega võib põhjustada surma või raskeid vigastusi elektrilöögi tagajärjel.

**⚠ HOIATUS!** Ärge muutuge toodet tundma õppides hooletuks. Pidage meeles, et raskeid vigastusi põhjustavaks õnnetuseks piisab ka sekundi murdosa pikkusest tähelepanematuses.

**⚠ HOIATUS!** Kandke alati silmakaitsevahendeid. Vastasel korral võib teile midagi silma paiskuda ja võite saada ka muud laadi raskeid vigastusi.

**⚠ HOIATUS!** Ärge kasutage tarvikuid või lisaseadmeid, mida ei ole soovitanud EGO™. Mittesoovituslike lisaseadmete või -tarvikute kasutamine võib põhjustada raskeid kehavigastusi.

### KASUTUSEESMÄRGID

Seda toodet võib kasutada niisuguste hekkide, põõsaste, võsade ja sarnaste materjalide pügamiseks, mille okste diameeter on väiksem kui 26 mm.

### TELESKOOPTOITEPEAGA HEKITRIMMERI KASUTAMINE

**⚠ HOIATUS!** Kandke sobivat riietust, et ennetada vigastuste ohtu tööriista kasutamisel. Ärge kandke ehteid ega avaraid riideid. Kandke nägemis- ja kuulmiskaitsevahendeid. Kandke tugevast materjalist pikki pükse, saapaid ja kindaid. Ärge kandke lühikesi pükse või sandaale ega töötage paljajalu.

### ETTEVALMISTUS LÕIKAMISEKS

1. Lõikepea seadistamine soovitud tööasendisse.
2. Eemaldage lõiketeralt tera kaitse.
3. Ohutu ja parema kasutamiskogemuse jaoks asetage õlarihm üle õla. Reguleerige õlarihma

nii, et teil on mugav töötada. Õlarihma toitepea külge kinnitamiseks järgige juhiseid, mis on toodud PPX1000 kasutusjuhendi peatükis „**ÕLARIHMA PAIGALDAMINE**“.

**⚠ HOIATUS!** Õlarihm on ohusituatsioonides ka kiirvabastusmehhanismiks. Ohtlikus olukorras võtke see kohe õlalt ära olenemata rihma asendist.

**⚠ HOIATUS!** Kaugeleulatava hekilõikuriga töötades kasutage alati kaht kätt. Seadme üle kontrolli kaotamise vältimiseks hoidke kaugeleulatavat hekilõikurit mõlema käega. Järgige juhiseid, mis on esitatud PPX1000 kasutusjuhendi jaotises „**TELESKOOPTOITEPEA HOIDMINE**“.

### TÖÖTEHNIKAD

#### Horisontaalne lõikamine (lõiketera on nurga all)

Maapinna lähedalt lõikamine seisvas asendis, näiteks madalate põõsaste pügamisel.

Kiigutage lõikepead mööda hekki liikudes paremale ja vasakule - kasutage lõiketerade mõlemat poolt ja ärge toetage lõiketera maapinnale (joon. H).

#### Horisontaalne lõikamine (lõiketera on sirge)

Hoidke lõiketera 0° nurga all, samal ajal hekitrimmerit aeglaselt horisontaalselt kiigutades. Kiigutage lõikepead kaarjalt heki servade suunas, et maha lõigatud materjali maha pühkida (joon. I).

**Soovitus:** Selles tööasendis pügage ainult selliseid hekke, mis pole rinnakõrgusest kõrgemad.

#### Vertikaalne lõikamine (lõiketera on nurga all)

Lõikamine otse heki kõrval seisjata, näiteks siis, kui seadme kasutaja ja heki vahele jääb lillepeenar.

Selleks, et selles lõikeasendis kõige paremini hekilõikurit kontrollida, soovitame ühendada hekilõikuri lõikepeaga külglõikuse asendis.

Kiigutage lõikepead mööda hekki edasi liikudes kaarjalt üles ja alla - kasutage lõiketera mõlemat külge (joon. J).

ET

#### Vertikaalne lõikamine (lõiketera on sirge)

Eriti kaugele ulatumine ilma lisaabivahenditeta. Kiigutage lõikepead mööda hekki edasi liikudes kaarjalt üles ja alla - kasutage lõiketera mõlemat külge (joon. K).

#### Pea kohal lõikamine (lõiketera on nurga all)

Hoidke hekitrimmerit vertikaalselt ning kõigutage seda kaarjalt, et trimmeri ulatust maksimaalselt ära kasutada (joon. L1 ja L2). Väga kõrge heki puhul on pikendatav vars sobivaks hekilõikamise abivahendiks.

**⚠ HOIATUS!** Mis tahes ülepea tööasend on väsitav. Õnnetuste riski vähendamiseks töötage sellistes asendites vaid lühikest aega. Seadistage löikepea nurk maksimaalseks, et tööriista oleks võimalik hoida madalamal, vähem väsitavas asendis (õlarihmaga), säilitades samas vajaliku ulatuse.

## TÖÖRIISTA KÄIVITAMINE / SEISKAMINE

Lugege tööriistapea PPX1000 kasutusjuhendi jaotist "TELESKOOPTÖÖRIISTAPEA KÄIVITAMINE/ SEISKAMINE".

## HOOLDUS

**⚠ HOIATUS!** Hooldusel ja remontimisel kasutage vaid originaalvaruosi. Kontrollige ja hooldage seadet regulaarselt. Turvalisuse ja vastupidavuse tagamiseks peab kõiki parandustöid läbi viima kvalifitseeritud hooldustehnik.

**⚠ HOIATUS!** Enne seadme kontrolli, puhastamist või hooldust tuleb mootor peatada ja oodata kõigi liikuvate osade peatumist ja eemaldada akuplokk. Juhiste eiramine võib kaasa tuua tõsise vigastuse või varalise kahju.

**⚠ MÄRKUS!** Enne iga kasutuskorda kontrollige tervet seadet, et ei esineks kahjustunud, puuduvaid või lahtisi osi, nt. kruve, mutreid, polte, korke vms. Kinnitage kõik kinnitused ja korgid ning ärge kasutage toodet, kuni kõik puuduvad või kahjustatud osad on välja vahetatud. Võtke palun ühendust klienditeeninduse või vastava kvalifikatsiooniga hooldustehnikuga.

## ÜLDHOOLDUS

Vältige plastosade puhastamisel lahustite kasutamist. Enamik plastmaterjalid on vastuvõtlikud müügil olevatest lahustitest tulenevatele kahjustustele. Kasutage mustuse, tolm, õli, määrdet jms eemaldamiseks puhast lappi.

## ET

### HEKILÕIKURI TARVIKU PUHASTAMINE

1. Seisake mootor ja eemaldage akuplokk.
2. Hekilõikuri tarvikult mustuse ja jääkide eemaldamiseks kasutage niisket lappi ja õrnatoimelist puhastusainet.

**MÄRKUS!** Ärge puhastage plastmasskomponente või käepidet tugevatoimeliste puhastusainetega. Seadme osi võivad kahjustada teatud aromaatsed õlid (nt männi- või sidruniõli).

### HEKILÕIKURI TARVIKU HOIUSTAMINE

1. Seisake mootor ja eemaldage akuplokk teleskooptoitepea küljest.

2. Eemaldage hekilõikuri tarvik teleskooptoitepea küljest.
3. Eemaldage hekilõikuri tarvikult mistahes võõrmaterjal.
4. Hoidke seda sisetingimustes ja lastele kättesaamatus kohas.
5. Hoidke lõikur eemal korrodeerivatest ainetest (nt aiakemikaalid ja jääsulatussoolad).

## TERA VÄLJA VAHETAMINE

**⚠ HOIATUS!** Saetera käsitsemisel kandke alati kindaid; need komponendid on teravad ja võivad sisaldada ogasid.

1. Lülitage tööriist välja ja eemaldage akuplokk.
2. Seadke tera horisontaalsesse asendisse ja kergemaks paigaldamiseks veenduge, et tera moodul on hekilõikuri völiga joondatud (joon. M).

M-1	Kruvi 1# (lühikesed kruvid)	M-6	Tihend
M-2	Alumine kate	M-7	Kruvi 2# (pikad kruvid)
M-3	Tugiplaad 3#	M-8	Tugiplaad 2#
M-4	Ühendushoob	M-9	Tera moodul
M-5	Tugiplaad 1#	M-10	Ekstsentriline plokk

3. Kasutage kuuskantvõtit (ei ole komplektis), et vabastada alumise kate 6 kruvi 1# (lühikesed kruvid) ja eemaldage need.
4. Jätkake, vabastades 2 kruvi 2# (pikad kruvid), et eemaldada tugiplaadid 1# ja 2# ning 2 tihendit. 2 tihendit asuvad eraldi kahes ümardatud nelinurkses avas tera moodulis.
5. Eemaldage tugiplaad 3#.
6. Eemaldage ühendushoob ettevaatlikult tera küljest.
7. Eemaldage tera moodul tööriista küljest ja kontrollige, et ekstsentrilise ploki asend ei muutu.
8. Joondage uue tera mooduli sisemine küüm ühendushoovas oleva avaga ning paigaldage uus tera moodul.
9. Paigaldage kaks tihendit kahte ümardatud nelinurksesse eraldi avasse.
10. Paigaldage tugiplaad 1# ja seejärel tugiplaad 2#.
11. Hoidke tera ja tihendite sisemised avad ning tugiplaadides olevad avad joondatud käigukasti kruviavadega. Paigaldage joondatud avadesse 2 pikka kruvi ja keerake need kindlalt kinni.
12. Liigutage ülemist tera veidi ette- ja tahapoole, et kontrollida, kas tera saab vabalt liikuda. Kui mitte, siis paigaldage terad uuesti nii, et ülemine tera saab vabalt liikuda.
13. Paigaldage ühendushoob.

14. Joondage tugiplaadi 3# ava ekstsentrilise ploki kühmuga, et panna tugiplaat paika, ja kontrollige, et plaat asub täpselt keskel ning on mõlema servaga paralleelne.
15. Paigaldage käigukastile alumine kate ja kinnitage see 6 lühikese kruvi abil.

### TERA MÄÄRIMINE (joon. N)

Parimate töötulemuste ja tera pika tööea tagamiseks määrige hekitrimmeri tera roostetõrjeõliga pärast iga kasutuskorda. **ÄRGE TÄITKE ÕLIAVA ÕLIGA TÄIELIKULT.**

1. Eemaldage käigukasti õliava kruvi kuuskantvõtme (ei ole komplektis) abil.

N-1 Määrdeava kruvi

2. Sisestage 5 g määrdeainet käigukasti määrdevasse.
3. Kui lõpetate, keerake kruvi kinni.

### ÜLEKANDEMEHHANISMI MÄÄRIMINE

Seadme parima töövõime ja pikema kasutusea tagamiseks määrige hekilõikuri tarviku ülekandemehhanismi erimäärdega iga 100 töötunni järel.

Määrdeaine peab vastama järgnevale tingimustele.

- NLGI läbitungivusklass: NLGI-2;
- Paksendaja tüüp: polüüreaa;
- Soovituslik töökeskkonna temperatuuri vahemik: -40°C kuni 180°C;
- Muuhulgas peab määrdeaine olema nihkejõu suhtes stabiilne, suurepärase rõhu ja kulumiskindluse omaduste ning ideaalse oksüdatsioonistabiilsusega.

Määrdeaine lisamiseks teostage järgmist.

1. Lülitage tööriist välja ja eemaldage akuplokk.
2. Kasutage kuuskantvõtit (ei ole komplektis) ja vabastage ning eemaldage 3 lühikese kruvi (O-1) mootori kattest (O-2) ja seejärel eemaldage mootori kate (joon. O).

O-1	Lühike kruvi	O-5	Seib
O-2	Mootori kate	O-6	Käigukast
O-3	Lühike kruvi	O-7	Hammasrattad
O-4	Mootor		

3. Vabastage mootori 3 lühikese kruvi (O-3) ja eemaldage mootor ning seib.
4. Kasutage määrdepüstolit (ei ole komplektis) ja sisestage 5 g määrdeainet 3 ülemise hammasratta (O-7) keskele käigukasti.

**MÄRKUS!** Jälgige, et käigukasti lähedal olevate teiste osade asend määrdeaine lisamisel ei muutu.

5. Pange seib ja mootor tagasi ning keerake 3 lühikese kruvi (O-3) kinni.
6. Pange mootori kate tagasi ning keerake 3 lühikese kruvi (O-1) kinni.
7. Käivitage tööriist ja kontrollige, kas see töötab normaalselt. Kui mitte, siis pange see uuesti kokku nii nagu on eelnevalt kirjeldatud.

**MÄRKUS!** Pärast mootori kate eemaldamist puhastage mootori ümbrusest saepuru.

### Keskkonnakaitse



Ärge visake elektriseadmeid, akulaadijat ega patareiseid / akusid olmeprügi hulka!

## TÖRKEOTSING

PROBLEEM	PÕHJUS	LAHENDUS
Hekitrimmer ei tööta.	<ul style="list-style-type: none"> <li>■ Trimmeri ja aku vahel puudub elektriline ühendus.</li> <li>■ Akuplokk on tühi.</li> <li>■ Akuplokk või tööriist on rakendanud ülekuumenemise kaitse.</li> <li>■ Tera on kinni jäänud.</li> </ul>	<ul style="list-style-type: none"> <li>■ Eemaldage aku, kontrollige ühendusi ja pange akuplokk tagasi.</li> <li>■ Laadige akuplokki.</li> <li>■ Jahutage akuplokki või toitepead, kuni temperatuur langeb alla 67 °C.</li> <li>■ Eemaldage seadmelt akuplokk. Eemaldage takistus ettevaatlikult ning seejärel asetage aku tagasi ning taaskäivitage seade.</li> </ul>
Lüügn vibratsioon või müra.	<ul style="list-style-type: none"> <li>■ Määrimata või korrodeerunud terad.</li> <li>■ Tera või tera tugi on paindunud.</li> <li>■ Paindunud või kahjustunud lõikehambad.</li> <li>■ Lahtised tera poldid.</li> </ul>	<ul style="list-style-type: none"> <li>■ Määrige terasid.</li> <li>■ Uue tera või toe paigaldamiseks järgige juhiseid käesoleva kasutusjuhendi jaotises „TERA VAHETAMINE“ või võtke ühendust EGO hoolduskeskusega.</li> <li>■ Uue tera paigaldamiseks järgige juhiseid käesoleva kasutusjuhendi jaotises „TERA VAHETAMINE“ või võtke ühendust EGO hoolduskeskusega.</li> <li>■ Keerake tera poldid tugevamalt kinni. Kinnitamiseks keerake neid kuuskantvõtmega (ei ole komplektis) päripäeva.</li> </ul>

## GARANTII

### EGO GARANTIIPÕHIMÕTTED

Täielikud EGO garantiitingimused leiata veebilehelt [egopowerplus.com](http://egopowerplus.com).

ET



## ПРОЧИТАЙТЕ ВСІ ІНСТРУКЦІЇ!



Прочитайте посібник з експлуатації

**⚠ Залишковий ризик!** Люди з електронними пристроями, наприклад кардіостимуляторами, повинні проконсультуватися зі своїм лікарем (лікарями) перед використанням цього виробу. Експлуатація електрообладнання в безпосередній близькості від кардіостимулятора може спричинити перешкоди або несправність кардіостимулятора.

**⚠ ПОПЕРЕДЖЕННЯ.** Для гарантування безпеки та надійності всі роботи з ремонту та заміни повинен проводити кваліфікований технічний спеціаліст.

## СИМВОЛ БЕЗПЕКИ

Мета символів, пов'язаних із безпекою, – привернути вашу увагу до можливих небезпек. Символи безпеки та їхнє пояснення заслуговують на вашу пильну увагу та розуміння. Символи попереджень самі по собі не усувають будь-якої небезпеки. Інструкції та попередження, які вони надають, не замінюють належних заходів щодо запобігання аваріям.

**⚠ ПОПЕРЕДЖЕННЯ.** Перш ніж користуватися цим інструментом, обов'язково ознайомтеся з усіма інструкціями з безпеки, наведеними в цьому посібнику користувача, зокрема з усіма символами попереджень, такими як «**НЕБЕЗПЕКА**», «**ПОПЕРЕДЖЕННЯ**» та «**ЗАСТЕРЕЖЕННЯ**». Недотримання наведених нижче вказівок може спричинити ураження електричним струмом, пожежу та/або серйозні травми.

## ЗНАЧЕННЯ СИМВОЛУ

**⚠ СИМВОЛ ПОПЕРЕДЖЕННЯ ЩОДО БЕЗПЕКИ:** Вказує на **НЕБЕЗПЕКУ**, **ПОПЕРЕДЖЕННЯ** або **ЗАСТЕРЕЖЕННЯ**. Може використовуватися разом з іншими символами або піктограмами.



**⚠ ПОПЕРЕДЖЕННЯ.** Використання будь-яких електронних інструментів може призвести до потрапляння сторонніх предметів в очі, що може спричинити серйозне пошкодження очей. Перед початком експлуатації електронного інструмента завжди надягайте закриті захисні окуляри або відкриті захисні окуляри з бічними щитами та, якщо потрібно, повнопрофільну захисну маску. Ми рекомендуємо захисну маску широкого розміру для використання поверх окулярів або стандартні відкриті захисні окуляри з бічними щитами.

## ПРАВИЛА ТЕХНІКИ БЕЗПЕКИ

На цій сторінці зображено та описано символи, пов'язані з безпекою, які можуть відобразитися на цьому виробі. Перш ніж намагатися зібрати та експлуатувати його, ознайомтеся з усіма інструкціями на інструменті та дотримуйтесь їх.

	Попередження щодо безпеки	Вказує на потенційну небезпеку травмування.
	Прочитайте посібник з експлуатації	З метою зменшення ризику отримання травм користувач повинен прочитати посібник з експлуатації.
	Зберігайте достатню відстань від ліній електропередач	Для запобігання ураження електричним струмом не працюйте ближче 15 м від повітряних електричних ліній. Контакт із лініями електропередач або використання поблизу них може спричинити серйозну травму або смертельне ураження електричним струмом.
	Шум	Гарантований рівень звукової потужності. Розповсюдження шуму в навколишнє середовище згідно з директивою Європейського співтовариства.
	CE	Цей виріб відповідає чинним директивам ЄС.
	WEEE	Відходи електричних виробів не слід викидати разом із побутовим сміттям. Зверніться до авторизованого пункту переробки.

UK

	Тримайте руки та ноги подалі від ріжучого інструмента	Ніколи не намагайтеся керувати електроінструментом однією рукою. Втрата контролю над електроінструментом призведе до серйозного або смертельного травмування. Щоб зменшити ризик травмування, тримайте руки та ноги подалі від ріжучого інструмента. Ніколи не наближайте рухомий ріжучий інструмент до рук або до будь-якої іншої частини тіла.
	Надягайте засоби захисту очей і голови	Під час роботи з цим виробом завжди використовуйте засоби захисту очей і голови.
IPX5	Символ IP	Захист від проникнення води ступеня 5
V	Вольт	Напруга
mm	Міліметр	Довжина або розмір
cm	Сантиметр	Довжина або розмір
kg	Кілограм	Вага
	Постійний струм	Тип або характеристика струму

- Для транспортування і зберігання завжди ховайте лезо в чохол. Правильне поводження з тримером для живоплоту зменшить ризик травмування лезами.
- Під час очищення застряглого матеріалу або обслуговування пристрою переконайтеся, що всі вимикачі живлення вимкнено і акумуляторну батарею знято або від'єднано. Несподіване спрацювання тримера для живоплоту під час очищення застряглого матеріалу або обслуговування може призвести до серйозних травм.
- Під час очищення застряглого матеріалу або обслуговування пристрою переконайтеся, що всі вимикачі живлення вимкнено, а фіксатор перебуває в заблокованому положенні. Несподіване спрацювання тримера для живоплоту під час очищення застряглого матеріалу або обслуговування може призвести до серйозних травм.
- Тримайте тример для живоплоту лише за ручки з ізовольованим покриттям, оскільки лезо може контактувати з прихованою проводкою. Контакт леза з дротом під напругою призводить до появи напруги в металевих частинах тримера для живоплоту, що може призвести до ураження оператора електричним струмом.
- Тримайте всі електричні шнури та кабелі подалі від зони різання. Під час роботи електричні шнури або кабелі можуть заховатись у живоплоті або кущах і випадково порізатись лезом.
- Не використовуйте тример для живоплоту в поганих погодних умовах, особливо, якщо існує ризик блискавки. Це знижує ризик ураження блискавкою.

## **⚠ ДОДАТКОВІ ВКАЗІВКИ З ТЕХНІКИ БЕЗПЕКИ ВИКОРИСТАННЯ ТРИМЕРА ДЛЯ ЖИВОПЛОТУ ЗІ ЗБІЛЬШЕНОЮ ДАЛЬНІСТЮ ДІЇ**

### **⚠ Попередження щодо безпеки використання тримера для підрізання живоплоту:**

- Тримайте всі частини тіла якнайдалі від ріжучого полотна. Не видаляйте матеріали, які слід порізати, під час руху леза. Перш ніж усунути матеріал, який заважає подальшій роботі, переконайтеся, що перемикач живлення вимкнуто. Мить неувважності під час роботи з кущорізом може призвести до серйозних травм.
- Переносьте тример для живоплоту за руків'я тільки після зупинки леза. Для транспортування і зберігання завжди накривайте інструмент кришкою. Належне поводження з кущорізом знизить небезпеку можливого травмування лезом.

- Щоб зменшити ризик ураження електричним струмом, ніколи не використовуйте тример для живоплоту зі збільшеною дальністю дії поблизу ліній електропередач. Контакт із лініями електропередач або використання поблизу них може спричинити серйозну травму або смертельне ураження електричним струмом.
- Під час роботи з тримером для живоплоту зі збільшеною дальністю дії завжди тримайте його обома руками. Тримайте тример для живоплоту зі збільшеною дальністю дії обома руками, щоб не втратити керування.
- Під час роботи з тримером для живоплоту зі збільшеною дальністю дії над головою завжди використовуйте засоби захисту голови. Падіння сміття може призвести до серйозних травм.

**UK**

- Перевірте живопліт на наявність сторонніх предметів, наприклад дратяних огорож і прихованої проводки.
- Тримайте електроінструмент лише за ручки з ізолюваним покриттям.
- Тример для живоплоту призначений для використання оператором, що стоїть на рівні землі, а не на драбинах або інших нестійких опорах.
- Використовуйте лише акумулятори та зарядні пристрої, перелічені на рис. А2

### ЗБЕРЕЖІТЬ ЦЮ ІНСТРУКЦІЮ

**ДОДАТКОВІ СПЕЦІАЛЬНІ ПРАВИЛА БЕЗПЕКИ МОЖНА ЗНАЙТИ В ІНСТРУКЦІЇ КОРИСТУВАЧА ВІДПОВІДНОЇ НАСАДКИ.**

### ТЕХНІЧНІ ХАРАКТЕРИСТИКИ

Довжина леза	510 мм	
Різальна здатність	26 мм	
Діапазон рекомендованих робочих температур	0°C–40°C	
Діапазон рекомендованих температур зберігання	-20°C–70°C	
Вага	2,67 кг	
Вимірний рівень звукової потужності $L_{WA}$	93,75 dB(A) K=1,7 dB(A)	
Рівень звукового тиску на місці вуха оператора $L_{PA}$	83 dB(A) K=3 dB(A)	
Гарантований рівень звукової потужності $L_{WA}$ (відповідно до стандарту 2000/14/ЕС)	95 dB(A)	
Оцінка вібрації $a_n$	Передня ручка	1,3 m/s <sup>2</sup> K=1,5 m/s <sup>2</sup>
	Задня ручка	1,5 m/s <sup>2</sup> K=1,5 m/s <sup>2</sup>

- Зазначені вище параметри випробувано та виміряно з приводною штангою РРХ1000.
- Вказане загальне значення вібрації виміряне за стандартним методом тестування і може використовуватися для порівняння одного інструмента з іншим;
- Заявлене сумарне значення вібрації може також використовуватися для попередньої оцінки впливу.

**ПРИМІТКА.** Емісія вібрації під час фактичного використання електроінструмента може відрізнятись

від заявленої величини, у якій використовується інструмент. Щоб захистити оператора, користувач повинен одягати рукавички та захисні навушники в реальних умовах використання.

### ОПИС

#### ОЗНАЙОМЛЕННЯ З НАСАДКОЮ ДЛЯ ПІДРІЗАННЯ ЖИВОПЛОТУ (рис. А1)

1. Задня втулка
2. Передня втулка
3. Корпус мотора
4. Футляр леза
5. Лезо

### ПАКУВАЛЬНИЙ СПИСОК (А2)

#### ЗБИРАННЯ

**⚠ ПОПЕРЕДЖЕННЯ.** Якщо якісь частини пошкоджені або відсутні, не користуйтеся цим інструментом, доки вони не будуть замінені. Використання цього виробу з пошкодженими або відсутніми деталями може призвести до серйозних травм.

**⚠ ПОПЕРЕДЖЕННЯ.** Завжди виймайте акумуляторну батарею з виробу, коли збираєте деталі, виконуєте регулювання, очищення, або коли виріб не використовується.

#### РЕГУЛЮВАННЯ КУТА РІЗУЧОЇ ГОЛОВКИ

Насадка для підрізання живоплоту лежить в упакуванні в складеному положенні для зберігання (рис. В). Кут зчленування і радіальне обертання ріжучої головки можна регулювати окремо. Перед початком роботи встановіть ріжучу головку в підходяще робоче положення.

#### Регулювання кута зчленування

Є шість робочих положень. Кут ріжучого леза можна відрегулювати від -68° до 42° (рис. С).

1. Відтягніть передню втулку, а потім міцно утримуйте кришку мотора, щоб повернути кут різання в бажане положення.

C-1	Передня втулка
C-2	Задня втулка

2. Щойно бажаний кут буде досягнутий, висуньте втулку вперед, щоб зафіксувати положення ріжучої головки.

**UK**

## Регулювання радіального обертання

Є два робочі положення різання (рис. D). Його можна відрегулювати вліво або вправо на 90°.

1. Відтягніть задню втулку, а потім міцно утримуйте кришку мотора, щоб повернути лезо в бажане положення.
2. Щойно бажаний кут буде досягнутий, висуньте втулку вперед, щоб зафіксувати положення ріжучої голівки.

**⚠ ПОПЕРЕДЖЕННЯ.** Щоб знизити ризик отримання травми, виймайте акумулятор перед виконанням регулювання та виконуйте регулювання тільки тоді, коли ножі нерухомі. Ніколи не торкайтесь лез, виконуючи регулювання.

**⚠ ПОПЕРЕДЖЕННЯ.** Корпус редуктора з литого сплаву гарячий. Ніколи не торкайтесь поверхні корпусу редуктора з литого сплаву без захисних рукавичок.

## ПІД'ЄДНАННЯ/ЗНЯТТЯ НАСАДКИ ДЛЯ ПІДРІЗАННЯ ЖИВОПЛОТУ ДО ТЕЛЕСКОПІЧНОЇ ПРИВІДНОЇ ШТАНГИ (рис. E)

Ця насадка для підрізання живоплоту призначена для використання з телескопічною приводною штангою EGO PPX1000.

Див. розділ «УСТАНОВЛЕННЯ НАСАДКИ НА ТЕЛЕСКОПІЧНУ ПРИВІДНУ ШТАНГУ» в посібнику користувача телескопічної приводної штанги PPX1000, щоб отримати відомості про під'єднання тримера для живоплоту до приводної штанги.

Див. розділ «ЗНЯТТЯ НАСАДКИ З ТЕЛЕСКОПІЧНОЇ ПРИВІДНОЇ ШТАНГИ» в посібнику користувача телескопічної приводної штанги PPX1000, щоб отримати відомості про зняття тримера для живоплоту з приводної штанги.

## КРІПЛЕННЯ НАКОНЕЧНИКА (додатково)

1. Використовуйте шестигранний гайковий ключ (не входить у комплект), щоб зняти короткий болт, просту шайбу, втулку та гайку на кінці ріжучого леза. Збережіть просту шайбу, втулку та гайку для повторного збирання (рис. F).

F-1	Гайка	F-3	Проста шайба
F-2	Втулка	F-4	Короткий болт

2. Вирівняйте захисний наконечник із випуклістю на лезі та встановіть його на місце. Закріпіть його новим довгим болтом та гайкою, а також збереженою шайбою, втулкою та гайкою (рис. G).

G-1	Гайка	G-4	Втулка
G-2	Захисний наконечник	G-5	Проста шайба
G-3	Гайка	G-6	Довгий болт

## ЕКСПЛУАТАЦІЯ

**⚠ НЕБЕЗПЕКА.** Ніколи не обрізайте біля ліній електропередач, електричних шнурів або інших джерел електричного струму. Якщо лезо натрапляє на будь-який електричний шнур або лінію, **НЕ ТОРКАЙТЕСЯ ЛЕЗА ЧИ АЛЮМІНІЄВОЇ ШТАНГИ, ВОНИ МОЖУТЬ БУТИ ПІД НАПРУГОЮ І ДУЖЕ НЕБЕЗПЕЧНИМИ.** Продовжуйте тримати насадку для підрізання живоплоту за ізольовану ручку або відкладіть її в безпечний спосіб. Відключіть подачу електроенергії на пошкоджену лінію або шнур, перш ніж намагатися звільнити лезо від лінії або шнура. Контакт із лезом, іншими електропровідними частинами насадки для підрізання живоплоту або електричними шнурами чи лініями під напругою призведе до смертельного ураження електричним струмом або серйозної травми.

**⚠ ПОПЕРЕДЖЕННЯ.** Знання виробу не має робити вас недбалим. Пам'ятайте, що півсекунди неувважності досить для серйозної травми.

**⚠ ПОПЕРЕДЖЕННЯ.** Завжди носіть засоби захисту очей. Без окулярів ви ризикуєте травмами очей від викинутих предметів та іншими серйозними травмами.

**⚠ ПОПЕРЕДЖЕННЯ.** Не використовуйте приладдя чи насадки, не рекомендовані виробником EGO™. Використання нерекондованого приладдя чи насадки може призвести до серйозних травм.

## ЗАСТОСУВАННЯ

Ви можете використовувати цей виріб для підрізання живоплотів, чагарників, кущів тощо з діаметром гілок менше Ø26 мм.

## ВИКОРИСТАННЯ ТРИМЕРА ДЛЯ ЖИВОПЛОТУ З ТЕЛЕСКОПІЧНОЮ ПРИВІДНОЮ ШТАНГОЮ

**⚠ ПОПЕРЕДЖЕННЯ.** Одягайтеся правильно, щоб зменшити ризик травми під час роботи з цим інструментом. Не носіть вільного одягу або прикрас. Одягайте захисні окуляри та навушники. Носіть щільні, довгі штани, міцне взуття та рукавички. Не носіть шорти, сандалії, не працюйте босоніж.

## ПІДГОТОВКА ДО ОБРІЗАННЯ.

1. Відрегулюйте ріжучу голівку в потрібному робочому положенні.
2. Зніміть футляр із леза.

3. Для безпечної та кращої роботи надягайте ремінець через плече. Відрегулюйте плечовий ремінець у зручному робочому положенні. Дотримуйтесь інструкцій, наведених у розділі «КРИПЛЕННЯ ПЛЕЧОВОГО РЕМЕНЯ» в посібнику користувача PPX1000, щоб прикріпити плечовий ремінець до приводної штанги.

**⚠ ПОПЕРЕДЖЕННЯ.** Плечовий ремінь також є механізмом швидкого звільнення в небезпечній ситуації. Коли трапляється надзвичайна ситуація, негайно зніміть його з плеча, незалежно від того, у який спосіб одягнено ремінь.

**⚠ ПОПЕРЕДЖЕННЯ.** Під час роботи з тримером для живоплоту зі збільшеною дальністю дії завжди тримайте його обома руками. Тримайте тример для живоплоту зі збільшеною дальністю дії обома руками, щоб не втратити керування. Дотримуючись інструкцій, наведених у розділі «ТРИМАННЯ ТЕЛЕСКОПІЧНОЇ ПРИВОДНОЇ ШТАНГИ» в посібнику користувача PPX1000,

## ТЕХНІКА РОБОТИ

### Горизонтальне різання (з ружучою головкою під кутом)

Підрізайте близько до землі з положення стоячи, наприклад, низькі чагарники.

Виконуйте рухи ріжучою головкою вправо та вліво, рухаючись уздовж живоплоту – використовуйте обидві сторони лез і не кладіть лезо на землю (рис. Н)

### Горизонтальне різання (за допомогою прямої ріжучої головки)

Тримайте ріжучу головку під кутом від 0°, повільно рухаючи тример для живоплоту по горизонталі. Рухайте ріжучу головку по дузі в напрямку зовнішньої сторони живоплоту так, щоб обрізки потрапляли на землю (рис. І).

**Рекомендація.** Підрізайте живоплоти не вище грудей у цьому робочому положенні.

### Вертикальне різання (ріжуча головка під кутом).

Підрізайте, не стоячи безпосередньо поруч із живоплотом, наприклад, клумба між користувачем і живоплотом.

У цьому положенні підрізання для кращого контролю тримера для живоплоту рекомендується під'єднати його до ріжучої головки в положенні підрізання збоку.

Рухайте ріжучу головку вгору та вниз по дузі, просуваючись уздовж живоплоту – використовуйте обидві сторони леза (рис. J).

### Вертикальне різання (за допомогою прямої ріжучої головки)

Дуже далека досяжність без потреби в інших засобах. Рухайте лезо вгору та вниз по дузі, просуваючись уздовж живоплоту – використовуйте обидві сторони леза (рис. K).

### Підрізання над головою (з ріжучою головкою під кутом).

Тримайте тример для живоплоту вертикально і рухайте ним по дузі, щоб максимально використовувати його дальність роботи (рис. L1 і L2). Для надзвичайно високих живоплотів подовжувач підходить для допомоги в підрізаннях.

**⚠ ПОПЕРЕДЖЕННЯ.** Будь-яке робоче положення вище висоти голови втомлює. Щоб мінімізувати ризик нещасних випадків, працюйте в таких положеннях лише протягом коротких періодів часу. Установіть кут регульованої ріжучої головки на максимум, щоб інструмент можна було тримати в нижньому положенні, що втомлює менше (з плечовим ремінцем), проте забезпечує достатню дальність роботи.

## ЗАПУСК/ЗУПИНКА ІНСТРУМЕНТА

Див. розділ «ЗАПУСК/ЗУПИНКА ТЕЛЕСКОПІЧНОЇ ПРИВОДНОЇ ШТАНГИ» в посібнику користувача приводної штанги PPX1000.

## ОБСЛУГОВУВАННЯ

**⚠ ПОПЕРЕДЖЕННЯ.** Використовуйте для технічного обслуговування лише ідентичні запчастини. Регулярно оглядайте інструмент і виконуйте його обслуговування. Для гарантування безпеки та надійності всі ремонтні роботи повинен проводити кваліфікований технічний спеціаліст.

**⚠ ПОПЕРЕДЖЕННЯ.** Перед оглядом, чищенням або обслуговуванням пристрою зупиніть двигун, почекайте доки всі рухомі частини зупиняться, і вийміть акумуляторну батарею. Недотримання цих інструкцій може призвести до серйозних персональних травм або пошкодження майна.

**⚠ ПРИМІТКА.** Перед кожним використанням перевіряйте весь виріб на предмет пошкоджень, відсутності або послаблення деталей, таких як гвинти, гайки, болти, кришки тощо. Закріпіть усі затискачі та ковпачки і не використовуйте цей прилад, доки не будуть замінені всі відсутні або пошкоджені деталі. Зверніться до служби підтримки або кваліфікованого спеціаліста з обслуговування.

UK

## ЗАГАЛЬНИЙ ТЕХНІЧНИЙ ДОГЛЯД

Не використовуйте розчинники для очищення пластмасових деталей. Більшість пластмас чутливі до різноманітних промислових розчинників і можуть бути ними пошкоджені. Для видалення бруду, пилу, мастила тощо користуйтеся чистою ганчіркою.

## ОЧИЩЕННЯ НАСАДКИ ДЛЯ ПІДРІЗАННЯ ЖИВОПЛОТУ

1. Вимкніть мотор і вийміть акумулятор.
2. Очистьте бруд і сміття на насадці для підрізання живоплоту, використовуючи вологу ганчірку з м'яким мийним засобом.

**ПРИМІТКА.** Не використовуйте сильні мийчі засоби на пластиковому корпусі або ручці. Вони можуть бути пошкоджені деякими ароматичними маслами, наприклад хвойним і лимонним.

## ЗБЕРІГАННЯ НАСАДКИ ДЛЯ ПІДРІЗАННЯ ЖИВОПЛОТУ

1. Зупиніть мотор і вийміть акумулятор із телескопічної приводної штанги.
2. Зніміть насадку для підрізання живоплоту з телескопічної приводної штанги.
3. Видаліть усі сторонні матеріали з насадки для підрізання живоплоту.
4. Зберігайте її в місці, недоступному для дітей.
5. Тримайте подалі корозійні агенти, такі як садові хімікати та солі проти ожеледі.

## ЗАМІНА ЛЕЗА

**⚠ ПОПЕРЕДЖЕННЯ.** Завжди носіть рукавички, коли берете руками лезо. Ці компоненти гострі і можуть мати задирки.

1. Вимкніть інструмент і вийміть акумулятор.
2. Установіть лезо в горизонтальне положення, переконавшись, що лезо в зборі перебуває на одній лінії з валом тримера для живоплоту, щоб полегшити монтаж (рис. М).

М-1	Гвинт 1# (короткі гвинти)	М-6	Втулка
М-2	Нижня кришка	М-7	Гвинт 2# (довгі гвинти)
М-3	Опорна пластина 3#	М-8	Опорна пластина 2#
М-4	Кулісний важіль	М-9	Лезо в зборі
М-5	Опорна пластина 1#	М-10	Ексцентрикний блок

3. Використовуйте шестигранний ключ (не входить у комплект), щоб послабити 6 гвинтів 1# (короткі гвинти) в нижній кришці і зняти їх.
4. Продовжуючи послаблювати 2 гвинти 2# (довгі гвинти), зніміть опорну пластину 1# і 2#, а також 2 втулки. Дві втулки розташовані окремо всередині двох прямокутних пазів зі округленими кутами в збірці леза.
5. Зніміть опорну пластину 3#.
6. Обережно зніміть кулісний важіль із леза.
7. Зніміть лезо в зборі з інструмента й переконайтеся, що положення збірки ексцентриквого блока не змінилося.
8. Сумістіть внутрішній виступ на новій збірці леза з отвором усередині кулісного важеля, щоб установити нову збірку леза на місце.
9. Вставте дві втулки у два заокруглені прямокутники окремо.
10. Установіть опорну пластину 1#, а потім установіть опорну пластину 2#.
11. Стежте за тим, щоб внутрішні отвори в лезі, втулки і отвори в опорних пластинах збіглися з отворами для гвинтів у корпусі редуктора. Вставте 2 довгі гвинти в суміщені отвори й надійно затягніть їх.
12. Злегка перемістіть верхнє лезо вперед і назад, щоб перевірити, чи вільно воно переміщається. Якщо ні, зберіть леза так, щоб верхнє лезо могло вільно рухатися.
13. Установіть кулісний важіль.
14. Сумістіть отвір опорної пластини 3# з потовщенням на ексцентриквому блоці, щоб установити опорну пластину на місце, переконавшись, що пластина точно розміщена в центрі, паралельно до обох країв.
15. Установіть нижню кришку на корпус редуктора і закріпіть 6 короткими гвинтами.

## ЗМАЩУВАННЯ ЛЕЗА (Рис. N)

Для найкращої експлуатації та довгого терміну служби змащуйте лезо тримера для живоплоту антикорозійним мастилом після кожного використання. **НЕ ЗАПОВНЮЙТЕ МАСТИЛЬНИЙ ОТВІР МАСТИЛОМ ПОВНІСТЮ.**

1. За допомогою шестигранного ключа (не входить у комплект) зніміть гвинт мастильного отвору на корпусі редуктора.

**N-1** Гвинт отвору для змащення

2. Введіть 5 г мастила через отвір для змащення в корпус редуктора.

UK

- Після закінчення затягніть гвинт.

### ЗМАЩУВАННЯ ПРИВІДНОЇ ШЕСТИРІНІ

Для кращої експлуатації та більш тривалого терміну служби змащуйте насадку для підрізання живоплоту спеціальним мастилом кожні 100 годин роботи.

Мастило має відповідати зазначеним далі вимогам.

- Рівень проникнення NLGI: NLGI-2;
- Тип згущувача: полісечовина;
- Діапазон рекомендованих робочих температур: -40°C – 180°C;
- Крім вищевказаного, мастило також має бути стійким до зрушення, мати виняткові характеристики тиску, відмінні протизносні властивості і відмінну стійкість до окислення.

Щоб залити мастило, виконайте такі дії:

- Вимкніть інструмент і вийміть акумулятор.
- Використовуйте шестигранний ключ (не входить у комплект), щоб послабити і видалити 3 короткі гвинти (O-1) на кришці мотора (O-2), а потім зніміть кришку мотора (рис. O).

O-1	Короткий гвинт	O-5	Шайба
O-2	Кришка мотора	O-6	Корпус редуктора
O-3	Короткий гвинт	O-7	Планетарні шестірни
O-4	Мотор		

- Послабте 3 короткі гвинти (O-3) на моторі, а потім зніміть мотор і шайбу.
- Використовуйте шприц для змащування (не входить у комплект), щоб ввести 5 г мастила в центрі 3 верхніх планетарних шестерень (O-7) у корпус редуктора.

**ПРИМІТКА.** Переконайтеся, що положення інших деталей поряд із коробкою передач залишається незмінним під час вприскування.

- Знову зберіть шайбу і мотор, затягнувши 3 короткі гвинти (O-3).
- Установіть кришку мотора, затягнувши 3 короткі гвинти (O-1).
- Запустіть інструмент, щоб перевірити, чи може він нормально працювати. Якщо ні, повторно зберіть його, як описано вище.

**ПРИМІТКА.** Після зняття кришки мотора видаліть тирсу навколо мотора.

### Захист довкілля



Не викидайте електричне обладнання, зарядний пристрій та батареї/акумулятори в побутові відходи!

## УСУНЕННЯ НЕСПРАВНОСТЕЙ

НЕСПРАВНІСТЬ	ПРИЧИНА	ВИРІШЕННЯ
Тример для живоплоту не працює.	<ul style="list-style-type: none"> <li>■ Немає електричного контакту між тримером і батареєю.</li> <li>■ Акумуляторна батарея розряджена.</li> <li>■ Акумулятор або інструмент захищені від перегріву</li> <li>■ Лезо защемлено.</li> </ul>	<ul style="list-style-type: none"> <li>■ Вийміть акумулятор, перевірте контакти та знову встановіть акумулятор.</li> <li>■ Зарядіть акумуляторну батарею.</li> <li>■ Дайте акумуляторній батареї або приводній штанзі охолонути, доки температура не опуститься нижче 67°C.</li> <li>■ Вийміть акумуляторну батарею з інструмента. Обережно усуньте перешкоду, а потім знову вставте акумулятор і перезапустіть інструмент.</li> </ul>
Надмірна вібрація чи шум.	<ul style="list-style-type: none"> <li>■ Сухі або корозійні леза.</li> <li>■ Лезо або тримач леза зігнуті.</li> <li>■ Зігнуті або пошкоджені зубці.</li> <li>■ Ослаблені болти леза.</li> </ul>	<ul style="list-style-type: none"> <li>■ Змастіть леза</li> <li>■ Замініть на нове лезо або опору, дотримуючись вказівок у розділі «ЗАМІНА ЛЕЗА» в цьому посібнику, або зверніться в сервісний центр EGO для заміни.</li> <li>■ Замініть на нове лезо, дотримуючись вказівок у розділі «ЗАМІНА ЛЕЗА» в цьому посібнику, або зверніться в сервісний центр EGO для заміни.</li> <li>■ Затягніть болти леза. Використовуючи шестигранний ключ (не входить у комплект), затягніть болт за годинниковою стрілкою.</li> </ul>

## ГАРАНТІЯ

### ПРАВИЛА ГАРАНТІЇ EGO

**UK**

Відвідайте веб-сайт [egopowerplus.com](http://egopowerplus.com) для отримання повного тексту умов гарантійної політики EGO.



## ПРОЧЕТЕТЕ ВСИЧКИ ИНСТРУКЦИИ)



### ПРОЧЕТЕТЕ РЪКОВОДСТВОТО НА ОПЕРАТОРА

**⚠ Остатъчен риск!** Хора с електронни устройства, като пейсмейкър трябва да се консултират с лекуващия(те) си лекар(и) преди употреба на този продукт. Работата с електрическо оборудване в непосредствена близост до сърдечен пейсмейкър може да предизвика смущение или неизправност на пейсмейкъра.

**⚠ ПРЕДУПРЕЖДЕНИЕ:** За да осигурите безопасността и надеждността, всички поправки и подмени трябва да се извършват от квалифициран сервизен техник.

## СИМВОЛИ ЗА БЕЗОПАСНОСТ

Целта на символите за безопасност е да привлечат вниманието към възможни опасности. Символите за безопасност и обясненията към тях заслужават вашето повишено внимание и осъзнаване. Символите за безопасност сами по себе си не елиминират каквато и да е опасност. Инструкциите и предупрежденията, които предоставят не са заместители за подходящите мерки за предотвратяване на инцидент.

**⚠ ПРЕДУПРЕЖДЕНИЕ:** Уверете се, че сте прочели и осъзнали всички инструкции за безопасност в това Ръководство на оператора, включително всички известяващи символи за безопасност, като **“ОПАСНОСТ,” “ПРЕДУПРЕЖДЕНИЕ,”** и **“ВНИМАНИЕ”** преди да използвате този инструмент. Неспазването на всички инструкции изброени долу може да доведе до електрически шок, пожар и/или сериозно нараняване.

## ЗНАЧЕНИЕ НА СИМВОЛИТЕ

**⚠ СИМВОЛ СИГНАЛИЗИРАЩ ЗА БЕЗОПАСНОСТ:** Означава **ОПАСНОСТ,** **ПРЕДУПРЕЖДЕНИЕ** или **ВНИМАНИЕ,** може да бъде използван във връзка с други символи или пиктограми.






**⚠ ПРЕДУПРЕЖДЕНИЕ:** Експлоатацията на всички електрически инструменти, може да доведе до изхвърляне на чужди предмети към вашите очи, което може да доведе до сериозно нараняване на очите. Преди започване на работа с електрически инструмент, винаги носете предпазни очила със странична защита и визьор за цялото лице, когато е необходимо. Ние препоръчваме предпазна маска с широк визьор за употреба над очила или стандартни предпазни очила със странична защита.

## ИНСТРУКЦИИ ЗА БЕЗОПАСНОСТ

Тази страница изобразява и описва символите за безопасност, които може да се появят по този продукт. Прочетете, осъзнайте и следвайте всички инструкции по машината преди предприемане на сглобяване и работа.

	Сигнал за безопасност	Показва риска от потенциално нараняване на човек.
	Прочетете ръководството на оператора	За намаляване на опасността от нараняване, потребителят трябва да прочете ръководството на оператора.
	Спазвайте достатъчно разстояние от електрически кабели.	За да предотвратите токов удар, не работете на разстояние до 15 m от въздушни електропроводи. Контактът със или употребата в близост до електропроводи може да причини сериозно нараняване или токов удар водещ до смърт.
	Шум	Гарантирано ниво на мощност на звука. Звуките емисии към околната среда са в съответствие с директивите на европейската общност.
	CE	Този продукт е в съответствие с приложимите директиви на ЕС.
	WEEE	Отпадъчните електрически продукти не трябва да бъдат изхвърляни заедно с домакинския отпадък. Отнесете го до упълномощено място за рециклиране.

BG

	<p>Дръжте ръцете и краката далеч от режещия инструмент.</p>	<p>Никога не се опитвайте да работите с една ръка с вашия електрически инструмент. Загуба на контрол на вашия електрически инструмент може да доведе до сериозно или фатално нараняване. За да намалите риска от наранявания при срязване дръжте ръцете и краката далеч от режещия инструмент. Никога не закрепвайте движещ се режещ инструмент с вашите ръце или с друга част на вашето тяло.</p>
	<p>Носете защита за очите и главата</p>	<p>Винаги носете защита за очите и главата, когато работите с този продукт.</p>
<p>IPX5</p>	<p>IP символ</p>	<p>Защита от навлизане на вода степен 5</p>
<p>V</p>	<p>Волт</p>	<p>Напрежение</p>
<p>mm</p>	<p>Милиметър</p>	<p>Дължина или размер</p>
<p>cm</p>	<p>Сантиметър</p>	<p>Дължина или размер</p>
<p>kg</p>	<p>Килограм</p>	<p>Тегло</p>
	<p>Постоянен ток</p>	<p>Вид или характеристика на тока</p>

- Носете ножицата за жив плет за ръкохватката при спрян режещ нож. Когато транспортирате или съхранявате ножицата за жив плет винаги поставяйте капака на режещото устройство. Правилната работа с ножицата за плет ще намали вероятността от възможно нараняване от режещите ножове.
- Когато транспортирате или съхранявате ножицата за жив плет, винаги поставяйте капака на ножа. Правилната работа с ножицата за плет ще намали риска от нараняване от ножовете.
- Когато почиствате заседнал материал или обслужвате устройството, изключвайте всички ключове за електрозахранване и изваждайте или разкачвайте акумулаторната батерия. Неочаквано задействане на ножицата за жив плет по време на почистване на заседнал материал или сервизно обслужване могат да доведат до сериозно нараняване на хора.
- Когато почиствате заседнал материал или обслужвате устройството, изключвайте всички ключове за електрозахранване и ги заключвайте. Неочаквано задействане на ножицата за жив плет по време на почистване на заседнал материал или сервизно обслужване могат да доведат до сериозно нараняване на хора.
- Дръжте ножицата за жив плет само за изолираните повърхности за захващане, тъй като режещият нож може да влезе в контакт със скрит кабел. Ножове в контакт с кабел под напрежение могат да поставят откритите метални части на ножицата за жив плет под напрежение и могат да причинят на оператора токов удар.
- Дръжте всички захранващи проводници и кабели далеч от зоната на рязане. Захранващи проводници или кабели могат да се скрият в плетовите или храстите и да бъдат срязани инцидентно от ножа.
- Не използвайте ножицата за жив плет в лоши метеорологични условия, особено, когато има риск от светкавици. Това намалява риска да бъдете ударен от светкавица.

## ⚠ ПРЕДУПРЕЖДЕНИЯ ЗА БЕЗОПАСНОСТ ЗА НОЖИЦА ЗА ЖИВ ПЛЕТ

BG

- Дръжте всички части на вашето тяло далеч от режещия нож. Не премествайте отрязания материал или не дръжте материала, който ще бъде отрязан, когато ножовете се движат. Уверете се, че превключвателят е изключен, когато почиствате заседнал материал. Момент невнимание по време на работата с ножицата за жив плет, може да доведе до сериозно лично нараняване.

## ⚠ ДОПЪЛНИТЕЛНИ ИНСТРУКЦИИ ЗА БЕЗОПАСНОСТ ЗА УДЪЛЖЕНА НОЖИЦА ЗА ЖИВ ПЛЕТ

- За намаляване на риска от електрически удар никога не използвайте удължена ножица за жив плет близо до каквито и да било електропроводи. Контактът със или употребата в близост до електропроводи може да причини сериозно нараняване или токов удар водещ до смърт.

- **Винаги използвайте две ръце, когато работите с удължена ножица за жив плет.** Дръжте удължената ножица за жив плет с две ръце, за да избегнете загуба на управление.
- **Винаги използвайте защита за главата, когато работите с удължена ножица за жив плет над главата.** Падането на отпадъци може да доведе до сериозно нараняване на хора.
- **Проверявайте плета за чужди предмети преди работа, примерно телени огради и скрит кабел.**
- **Дръжте електрическия инструмент само за изолираните повърхности за захващане.**
- Ножицата за жив плет е предназначена за употреба от оператора на нивото на земята, а не върху стълби или някаква друга нестабилна опора.
- Използвайте само с акумулаторни батерии и зарядни устройства изброени на фиг. А2

### ЗАПАЗЕТЕ ТЕЗИ ИНСТРУКЦИИ

**ДОПЪЛНИТЕЛНИ СПЕЦИФИЧНИ ПРАВИЛА ЗА БЕЗОПАСНОСТ МОГАТ ДА БЪДАТ ОТКРИТИ В РЪКОВОДСТВОТО НА ОПЕРАТОРА НА СЪОТВЕТНИТЕ ПРИСТАВКИ.**

### СПЕЦИФИКАЦИИ

Дължина на ножа	510 mm	
Капацитет за рязане	26 mm	
Препоръчителна работна температура	0°C-40°C	
Препоръчителна температура на съхранение	-20°C-70°C	
Тегло	2,67 kg	
Измерено ниво на сила на звука $L_{WA}$	93,75 dB(A) K=1,7 dB(A)	
Ниво на звуково налягане при ухото на оператора $L_{PA}$	83 dB(A) K=3 dB(A)	
Гарантирано ниво на сила на звука $L_{WA}$ (измерено съгласно 2000/14/EC)	95 dB(A)	
Valuation of vibration $a_n$	Предна ръкохватка	1,3 м/сек <sup>2</sup> K = 1,5 м/сек <sup>2</sup>
	Задна ръкохватка	1,5 м/сек <sup>2</sup> K = 1,5 м/сек <sup>2</sup>

- Горните параметри са тествани и измерени оборудвани със захванващ прът PPX1000.

- Декларираният общ размер на вибрации е измерен в съответствие със стандартния метод за тест и може да бъде използван за сравнение между два инструмента;
- Декларираният общ размер на вибрации може също така да бъде използван за предварителна оценка на влиянието.

**БЕЛЕЖКА:** Вибрационните емисии по време на действителната употреба на електрическия инструмент може да се различава от декларираната стойност. С цел да се защити оператора, потребителят трябва да носи ръкавици и антифони в действителни условия на работа.

### ОПИСАНИЕ

#### ЗАПОЗНАЙТЕ СЕ С ВАШАТА ПРИСТАВКА НОЖИЦА ЗА ЖИВ ПЛЕТ (фиг. А1)

1. Задна втулка
2. Предна втулка
3. Корпус на двигателя
4. Капак за ножа
5. Нож

### ОПАКОВЪЧЕН ЛИСТ (А2)

#### МОНТАЖ

**⚠ ПРЕДУПРЕЖДЕНИЕ:** Ако някои от частите са повредени или липсват, не работете с този продукт, докато частите не се подменят. Използването на този продукт с повредени или липсващи части може да доведе до сериозно лично нараняване.

**⚠ ПРЕДУПРЕЖДЕНИЕ:** Винаги изваждайте акумулаторната батерия от продукта, когато монтирате части, правите настройки, почиствате или когато продуктът не е в употреба.

#### РЕГУЛИРАНЕ НА ЪГЪЛА НА РЕЖЕЩАТА ГЛАВА

Когато извадите от опаковката приставката ножица за жив плет, тя е сгъната в положение за съхранение (фиг. В). Ъгълът на съчленяване и радиалното завъртане на режещата глава могат да бъдат регулирани независимо. Регулирайте режещата глава до подходяща работна позиция преди работа.

## Регулиране на ъгъла на съчленяване.

Има шест работни позиции. Ъгълът на режещото острие може да бъде регулиран от  $-68^{\circ}$  до  $42^{\circ}$  (фиг. С).

1. Издърпайте назад предната втулка и след това хванете здраво капака на двигателя, за да завъртите ъгъла на рязане в желаната позиция.

C-1	Предна втулка
C-2	Задна втулка

2. След като желаният ъгъл бъде достигнат, натиснете напред втулката, за да заключите позицията на режещата глава.

## Регулиране на радиалното въртене

Има две вертикални позиции на рязане (фиг. D). То може да бъде регулирано наляво или надясно на  $90^{\circ}$ .

1. Издърпайте назад задната втулка и след това хванете здраво капака на двигателя, за да завъртите острието в желаната позиция.
2. След като желаният ъгъл бъде достигнат, натиснете напред втулката, за да заключите позицията на режещата глава.

**⚠ ПРЕДУПРЕЖДЕНИЕ:** За намаляване на риска от нараняване, отстранявайте батерията, преди да правите регулировки и правете регулировки само когато остриетата са спрели. Никога не докосвайте ножовете докато правите настройки.

**⚠ ПРЕДУПРЕЖДЕНИЕ:** Корпусът на предавателната кутия от отляна сплав е горещ. Никога не докосвайте повърхността на корпуса на предавателната кутия от отляна сплав без да носите защитни ръкавици.

## СВЪРЗВАНЕ/ИЗВАЖДАНЕ НА ПРИСТАВКАТА НОЖИЦА ЗА ЖИВ ПЛЕТ КЪМ ТЕЛЕСКОПИЧНИЯ ЗАХРАНВАЩ ПРЪТ (фиг. E)

Тази приставка ножица за жив плет е проектирана за употреба с EGO телескопичния захранващ прът PPX1000.

**BG**

Вижте раздел "МОНТИРАНЕ НА ПРИСТАВКА КЪМ ТЕЛЕСКОПИЧНАТА ЗАХРАНВАЩА ГЛАВА" в ръководството на оператора за телескопичния захранващ прът PPX1000 за свързване на ножицата за жив плет към захранващия прът.

Вижте раздел "ИЗВАЖДАНЕ НА ПРИСТАВКА ОТ ТЕЛЕСКОПИЧНИЯ ЗАХРАНВАЩ ПРЪТ" в ръководството на оператора за телескопичния захранващ прът PPX1000 за изваждане на ножицата за жив плет от захранващия прът.

**188**

## МОНТИРАНЕ НА ПРОТЕКТОРА ЗА ВЪРХА (опционален)

1. Използвайте ключ шестограм (не е включен), за да извадите късия болт, плоската шайба, втулката и гайката от края на режещото острие. Запазете плоската шайба, втулката и гайката за повторния монтаж (фиг. F).

F-1	Гайка	F-3	Плоска шайба
F-2	Втулка	F-4	Къс болт

2. Подравнете протектора за върха с издатината на ножа за рязане и го монтирайте на място. Осигурете го с нов дълъг болт и гайка, както и със запазените шайба, втулка и гайка (фиг. G).

G-1	Гайка	G-4	Втулка
G-2	Протектор за върха	G-5	Плоска шайба
G-3	Гайка	G-6	Дълъг болт

## ЕКСПЛОАТАЦИЯ

**⚠ ОПАСНОСТ:** Никога не режете в близост до електропроводи, електрически жици или други електрически източници. Ако режещите ножове заседнат на някоя електрическа жица или кабел, **НЕ ДОКОСВАЙТЕ РЕЖЕЩИЯ НОЖ ИЛИ АЛУМИНИЕВИЯ ПРЪТ! ТЕ МОГАТ ДА БЪДАТ ПОД ЕЛЕКТРИЧЕСКО НАПРЕЖЕНИЕ И МОЖЕ ДА БЪДЕ МНОГО ОПАСНО.** Продължете да държите приставката ножица за плет за изолираната ръкохватка или я сложете легнала и на разстояние от вас по безопасен начин. Изключете електричеството към повредения проводник или кабел, преди да се опитате да освободите ножа от проводника или кабела. Контактът с острието или с други електропроводими части на приставката ножица за плет или с електрически жици или проводници под напрежение ще доведе до смърт от токов удар или сериозно нараняване.

**⚠ ПРЕДУПРЕЖДЕНИЕ:** Не позволявайте рутината с този продукт да ви направи непредпазливи. Запомнете, че невнимание за малка част от секундата е достатъчна за да нанесете сериозно нараняване.

**⚠ ПРЕДУПРЕЖДЕНИЕ:** Винаги носете защита за очите. Ако не го направите може да доведе до изхвърляне на предмети към очите ви и други възможни сериозни наранявания.

**⚠ ПРЕДУПРЕЖДЕНИЕ:** Не използвайте други приставки или аксесоари, които не са препоръчани от

производителя на този продукт EGO™. Употребата на приставки или аксесоари, които не са препоръчани, може да доведе до сериозно нараняване.

## ПРИЛОЖЕНИЯ

Може да използвате този продукт за почистване на жив плет, шубраци, диворастящи растения, храсти и други подобни материали, с диаметър на клона по-малък от 26 mm.

## ИЗПОЛЗВАНЕ НА НОЖИЦА ЗА ЖИВ ПЛЕТ С ТЕЛЕСКОПИЧЕН ЗАХРАНВАЩ ПРЪТ

**▲ ПРЕДУПРЕЖДЕНИЕ:** Облечете се правилно за да намалите риска от нараняване, когато работите с този инструмент. Не носете отпуснати дрехи или бижута. Носете защита за очите и защита за очите/слуха. Носете тежки, дълги панталони, ботуши и ръкавици. Не носете къси панталони или сандали или не ходете бос.

## ПОДГОТОВКА ЗА РЯЗАНЕ:

1. Регулиране на режещата глава на желаната работна позиция.
2. Извадете ножицата от режещото острие.
3. За безопасна и по-добра работа, поставете ремъка за рамо през рамото си. Регулирайте ремъка за рамо в удобна работна позиция. Следвайте инструкциите в раздел **"МОНТИРАНЕ НА РЕМЪКА ЗА РАМО"** в ръководството на оператора на РРХ1000, за да монтирате ремъка за рамо към захранващия прът.

**▲ ПРЕДУПРЕЖДЕНИЕ:** Ремъкът за рамо, също е механизъм за бързо освобождаване при опасни ситуации. При наличие на аварийна ситуация, незабавно го свалете от рамото си, независимо по кой начин се намира ремъка.

**▲ ПРЕДУПРЕЖДЕНИЕ:** Винаги използвайте две ръце, когато работите с удължена ножица за жив плет. Дръжте удължената ножица за жив плет с две ръце, за да избегнете загуба на управление. Следвайте инструкциите в раздел **"ДЪРЖАНЕ НА ТЕЛЕСКОПИЧНИЯ ЗАХРАНВАЩ ПРЪТ"** в ръководството на оператора за РРХ1000

## ТЕХНИКИ НА РАБОТА

### Хоризонтално рязане (с режеща глава под ъгъл):

Режете близо до земята от изправена позиция примерно за рязане на ниски храсти.

Замахвайте с режещата глава надясно и наляво, като се движите покрай плета - използвайте двете страни на остриетата и не оставяйте режещото острие на земята (фиг. Н).

### Хоризонтално рязане (с права режеща глава)

Дръжте режещата глава под ъгъл от 0° като бавно замахвате хоризонтално с ножицата за плет. Замахнете с режещата глава в дъга към външната страна на плета, така че изрязаният материал да бъде изметен на земята (фиг. I).

**Препоръки:** В тази работна позиция режете плетове, които не са по-високи от височината на гърдите.

### Вертикално рязане (с режеща глава под ъгъл)

Рязане без да стоите в непосредствена близост до плета, примерно при цветна леха между оператора и плета.

В тази позиция на рязане, за по-добър контрол върху ножицата за плет от ваша страна, се препоръчва да свържете ножицата за жив плет с режещата глава в странична позиция за рязане.

Замахнете с режещата глава нагоре и надолу в дъга, като се придвижвате в продължение на плета - използвайте двете страни на режещия нож (фиг. J).

### Вертикално рязане (с права режеща глава)

Изключително дълъг обхват без необходимост от други спомагателни средства. Замахнете с режещата глава нагоре и надолу в дъга, като се придвижвате в продължение на плета - използвайте двете страни на режещия нож (фиг. K).

### Рязане над главата (с режеща глава под ъгъл)

Дръжте вертикално ножицата за плет и замахнете в дъга за да използвате максимално нейния обхват (фиг. L1 и L2). При изключително висок плет, удължителният прът е подходящ за помощ при подрязването.

**▲ ПРЕДУПРЕЖДЕНИЕ:** Всяка позиция за работа над височината на главата е изморителна. За да минимизирате рисковете от инциденти, работете в тази позиция за къси периоди от време. Настройте ъгъла на режещата глава на максимум, така че инструментът да може да бъде държан в ниска, по-малко изморителна позиция (с ремъка за рамо), като все още предоставя достатъчен обхват.

### ЗА ДА СТАРТИРАТЕ/СПРЕТЕ ИНСТРУМЕНТА

Вижте раздел **"СТАРТИРАНЕ/СПИРАНЕ НА ТЕЛЕСКОПИЧНИЯ ЗАХРАНВАЩ ПРЪТ"** в ръководството на оператора за захранващ прът РРХ1000.

## ПОДДРЪЖКА

**⚠ ПРЕДУПРЕЖДЕНИЕ:** Когато обслужвате, използвайте само идентични резервни части. Проверявайте и поддържайте машината редовно. За да осигурите безопасността и надеждността, всички поправки трябва да се извършват от квалифициран сервизен техник.

**⚠ ПРЕДУПРЕЖДЕНИЕ:** Преди инспекция, почистване или обслужване на уреда спрете мотора, изчакайте всички движещи части да спрат и извадете акумулаторната батерия. Неспазването на тези инструкции може да доведе до сериозно нараняване или щети по собствеността.

**⚠ БЕЛЕЖКА:** Преди всяка употреба проверявайте целия продукт за повредени, липсващи или разхлабени части, като винтове, гайки, болтове, капачки и др. Затегнете сигурно всички закопчалки и капачки и не работете с този продукт, докато всички повредени или липсващи части не бъдат подменени. Моля свържете се с обслужване на клиенти или с квалифициран сервизен техник.

## ОБЩА ПОДДРЪЖКА

Избягвайте употребата на разтворители, когато почиствате пластмасовите части. Повечето пластмасови части са уязвими на повреда от различни видове разтворители в търговската мрежа и може да се повредят от тяхната употреба. Използвайте чист плат, за премахване на мръсотия, прах, масло и т.н.

## ПОЧИСТВАНЕ НА ПРИСТАВКАТА НОЖИЦА ЗА ЖИВ ПЛЕТ

1. Спрете мотора и извадете акумулаторната батерия.
2. Почистете мръсотията и отлаганията от приставката ножица за жив плет, използвайки влажна кърпа с мек почистващ препарат.

**БЕЛЕЖКА:** Не използвайте силен почистващ препарат по пластмасата на корпуса или ръкохватката. Те могат да бъдат повредени от определени ароматни масла като бор и лимон.

## СЪХРАНЕНИЕ НА ПРИСТАВКАТА НОЖИЦА ЗА ЖИВ ПЛЕТ

1. Спрете двигателя и отстранете акумулаторната батерия от телескопичния ذخарнаващ прът.
2. Снемете приставката ножица за жив плет от телескопичния ذخарнаващ прът.
3. Почистете всички чужди материали от приставката ножица за жив плет.

4. Съхранете я на място, което е недостъпно до деца.
5. Пазете я от корозивни препарати като градински химикали и сол за обезледяване.

## ПОДМЯНА НА НОЖА

**⚠ ПРЕДУПРЕЖДЕНИЕ:** Винаги носете ръкавици, когато боравите с острието, тези компоненти са остри и могат да съдържат режещи елементи.

1. Изключете инструмента и извадете акумулаторната батерия.
2. Регулирайте острието в хоризонтална позиция, като се уверите, че възелът на острието е в една линия с пръта на ножицата за жив плет за лесен монтаж (фиг. М).

M-1	Винт 1# (къси винтове)	M-6	Втулка
M-2	Долен капак	M-7	Винт 2# (дълги винтове)
M-3	Опорна пластина 3#	M-8	Опорна пластина 2#
M-4	Лост за връзката	M-9	Възел на острието
M-5	Опорна пластина 1#	M-10	Ексцентричен блок

3. Използвайте ключ шестограм (не е включен) за да развийте 6-те винта 1# (къси винтове) в долния капак и ги отстранете.
4. Продължете да развийте 2-та винта 2# (дълги винтове), за да отстраните опорната пластина 1# и 2#, както и 2-те втулки. 2-те втулки са отделно разположени в двата закръглени правоъгълни прореза във възела на острието.
5. Отстранете опорната пластина 3#.
6. Внимателно отстранете лоста за връзката от острието.
7. Снемете възела на острието от инструмента и се уверете, че позицията на възела на ексцентричния блок остава непроменена.
8. Подравнете вътрешната издатина на новия възел на острието с отвора в лоста на връзката, за да инсталирате новия възел на острието на място.
9. Вмъкнете двете втулки в двата закръглени правоъгълни прореза поотделно.
10. Монтирайте опорната пластина 1# и след това монтирайте опорната пластина 2#.
11. Подравнете вътрешните отвори в острието, втулките и отворите в опорните пластини в една линия с отворите на винтовете в предавателната кутия. Инсталирайте 2-та дълги винта в подравнените отвори и ги затегнете сигурно.

12. Лекo придвижете горното острие назад и напред, за да проверите дали острието може да се движи свободно. Ако не, сглобете отново остриетата, докато горното острие може да се движи свободно.
13. Инсталирайте лоста за връзката.
14. Подравнете отвора на опорната пластина 3# с издатината на ексцентричният блок за инсталиране на опорната пластина на място, като се уверите, че пластината е точно разположена в центъра, паралелно на двата ръба.
15. Монтирайте долния капак върху предавателната кутия и го затегнете с 6-те къси винта.

### СМАЗВАНЕ НА ОСТРИЕТО (фиг. N)

За най-добра работа и по-дълъг живот на острието, смазвайте острието на ножицата за жив плет с масло против корозия след всяка употреба. **НЕ ПРЕПЪЛВАЙТЕ МАСЛЕНИЯ ОТВОР С МАСЛО.**

1. Отстранете винта на отвора за смазване от предавателната кутия с ключ шестограм (не е включен).

N-1	Oiling Hole Screw
-----	-------------------

2. Инжектирайте 5 грама грес през отвора за гресиране на предавателната кутия.
3. Затегнете винта, след като завършите.

### СМАЗВАНЕ НА ПРЕДАВАТЕЛНАТА КУТИЯ

За най-добра работа и по-дълъг живот, смазвайте предавателната кутия на приставката ножица за жив плет със специална грес на всеки 100 часа работа.

Греста трябва да отговаря на следните изисквания:

- NLGI степен на проникване: NLGI-2;
- Тип на състителя: Поликарбамид;
- Препоръчителен диапазон на работната температура: -40°C до 180°C;
- Освен посоченото по-горе, греста трябва също да е устойчива на срязване с изключителни характеристики на налягане и изключителна устойчивост на износване, и перфектна стабилност на оксидиране.

Следвайте стъпките по-долу, за да напълните с грес:

1. Изключете инструмента и извадете акумулаторната батерия.
2. Използвайте ключ шестограм, за да развийте и отстраните 3-те къси винта (O-1) на капака на двигателя (O-2) и след това снемете капака на двигателя (фиг. O).

O-1	Къс винт	O-5	Шайба
O-2	Капак на двигателя	O-6	Предавателна кутия
O-3	Къс винт	O-7	Планетни зъбни колела
O-4	Двигател		

3. Развийте 3-те къси винта (O-3) на двигателя и след това снемете двигателя и шайбата.
4. Използвайте текалемит (не е включен), за да инжектирайте 5 грама в средата на 3-те горни планетни зъбни колела (O-7) в предавателната кутия.

**БЕЛЕЖКА:** Уверете се, че позицията на другите части близо до предавателната кутия остава непроменена по време на инжектирането.

5. Сглобете отново шайбата и двигателя като затегнете 3-те къси винта (O-3).
6. Сглобете отново капака на двигателя като затегнете 3-те къси винта (O-1).
7. Стартирайте инструмента, за да проверите дали той може да работи нормално. Ако не, сглобете го отново като следвате посочените по-горе стъпки.

**БЕЛЕЖКА:** След снемане на капака на двигателя почистете дървените стърготини около двигателя.

### Опазване на околната среда



Не изхвърляйте електрическо оборудване, зарядно устройство за акумулаторни батерии и батерии/ акумулаторни батерии в домакинския отпадък!

## ОТСТРАНЯВАНЕ НА ПРОБЛЕМИ

ПРОБЛЕМ	ПРИЧИНА	РЕШЕНИЕ
Ножицата за жив плет не работи.	<ul style="list-style-type: none"> <li>■ Няма електрически контакт между тримера и батерията.</li> <li>■ Акумулаторната батерия е изтощена.</li> <li>■ Акумулаторната батерия или инструментът е със сработила защита срещу прегряване</li> <li>■ Острието е блокирано</li> </ul>	<ul style="list-style-type: none"> <li>■ Извадете батерията, проверете контактите и свържете отново акумулаторната батерия.</li> <li>■ Заредете акумулаторната батерия.</li> <li>■ Позволете на акумулаторната батерия или на захранващия прът да се охлади, докато температурата спадне под 67°C.</li> <li>■ Извадете акумулаторната батерия от инструмента. Премахнете внимателно прелятствието и след това поставете батерията и рестартирайте инструмента.</li> </ul>
Прекалени вибрации или шум	<ul style="list-style-type: none"> <li>■ Сухи или корозирали остриета.</li> <li>■ Остриетата или опората на острие е изкривена.</li> <li>■ Изкривени или повредени зъби.</li> <li>■ Разхлабени болтове на ножовете.</li> </ul>	<ul style="list-style-type: none"> <li>■ Смажете остриетата.</li> <li>■ Заменете с ново острие или опора като следвате раздела „ЗАМЯНА НА ОСТРИЕТО“ в това ръководство или се свържете със сервизен център на EGO за замяна.</li> <li>■ Заменете с ново острие като следвате раздела „ЗАМЯНА НА ОСТРИЕТО“ в това ръководство или се свържете със сервизен център на EGO за замяна.</li> <li>■ Затегнете болтовете на острието. Използвайте ключ шестограм (не е включен), завъртете болтовете по часовника, за да ги затегнете.</li> </ul>

## ГАРАНЦИЯ

### ГАРАНЦИОННА ПОЛИТИКА EGO

**BG**

Моля, посетете уебсайта [egopowerplus.com](http://egopowerplus.com) за пълните срокове и условия по гаранционната политика на EGO.



## PROČITAJTE UPUTE U CIJELOSTI!



**PROČITAJTE PRIRUČNIK ZA RUKOVATELJE.**

**⚠ Preostale opasnosti!** Osobe s elektroničkim uređajima poput srčanih elektrostimulatora prije uporabe ovog proizvoda trebaju se posavjetovati sa svojim liječnikom. Rad električne opreme u neposrednoj blizini srčanih elektrostimulatora može prouzročiti smetnju ili kvar srčanog elektrostimulatora.

**⚠ UPOZORENJE:** Zbog sigurnosti i pouzdanosti, sve popravke treba obavljati kvalificirani servisni tehničar.

## SIGURNOSNI SIMBOL

Svrha sigurnosnih simbola je skretanje pozornosti na moguće opasnosti. Sigurnosni simboli i njihova objašnjenja zahtijevaju vašu potpunu pozornost i razumijevanje. Sami simboli upozorenja ne isključuju opasnost. Upute i upozorenja koja pružaju nisu zamjena za propisne mjere za prevenciju nesreća.

**⚠ UPOZORENJE!** Prije uporabe ovog alata pobrinite se da sve upute u ovom korisničkom priručniku, uključujući sve sigurnosne simbole kao što su **"OPASNOST"**, **"UPOZORENJE"** i **"OPREZ"** pročitate s razumijevanjem. Zanemarivanje svih uputa navedenih u nastavku može rezultirati strujnim udarom, požarom i/ili teškim tjelesnim ozljedama.

## ZNACENJE SIMBOLA

**⚠ SIMBOL UPOZORENJA U VEZI SIGURNOSTI:** Naznačuje **OPASNOST**, **UPOZORENJE** ili **OPREZ** i može se upotrebljavati povezan s drugim simbolima ili piktogramima.



**UPOZORENJE:** Rukovanje električnim alatima može rezultirati odbacivanjem stranih predmeta u oči što opet može izazvati teška oštećenja očiju. Prije početka rukovanja električnim alatom nosite zatvorene zaštitne naočale ili zaštitne naočale s bočnim štitnicima, a prema potrebi i štitičnik za cijelo lice. Preporučujemo nošenje sigurnosne maske proizvođača Wide Vision preko naočala, ili nošenje standardnih zaštitnih naočala s bočnim štitnicima.

## SIGURNOSNE UPUTE

Na ovoj stranici slikovno su prikazani i objašnjeni sigurnosni simboli koji se mogu pojaviti na ovom proizvodu. Prije pokušaja sastavljanja i rukovanja s razumijevanjem pročitajte sve upute na stroju i pridržavajte ih se.

	Upozorenje u vezi sigurnosti	Označava moguću opasnost od tjelesne ozljede.
	Pročitajte korisnički priručnik	Pročitajte priručnik za rukovatelje radi smanjenja opasnosti od ozljeda.
	Držite se na dovoljnoj udaljenosti od električnih vodova.	Radi izbjegavanja strujnog udara ne radite u opsegu od 15 m od nadzemnih električnih vodova. Doticaj s električnim vodovima ili korištenje u njihovoj blizini može prouzročiti ozbiljne ozljede ili smrtonosni električni udar.
	Buka	Zajamčena razina snage zvuka. Emisija buke u okruženju u skladu je sa smjernicama Europske unije.
	CE	Ovaj proizvod je u skladu s važećim direktivama EU.
	OEE0	Otpadni električni proizvodi ne smiju se odlagati s otpadom iz kućanstva. Odnosite ih u ovlaštenu centar za recikliranje.
	Ruke i stopala držite dalje od alata za rezanje	Ne pokušavajte upravljati električnim alatom koristeći samo jednu ruku. Gubitak kontrole pri radu s električnim alatom može rezultirati ozbiljnom ili kobnom ozljedom. Da biste smanjili rizik od ozljeda, držite ruke i noge podalje od alata za rezanje. Pokretni alat za rezanje nemojte učvršćivati rukom ili bilo kojim drugim dijelom tijela.

	Nosite zaštitu za oči i za glavu	Kada upotrebljavate proizvod, nosite zaštitu za sluh.
IPX5	IP simbol	Zaštita od prodora vode, 5. stupanj
V	Volti	Napon
mm	Milimetar	Duljina ili veličina
cm	Centimetar	Duljina ili veličina
kg	Kilogram	Težina
	Istosmjerna struja	Vrsta ili karakteristike struje

## SIGURNOSNA UPOZORENJA ZA ŠKARE ZA ŽIVICU

- Sve dijelove tijela držite dalje od rotirajućeg noža. Kada se noževi okreću, ne uklanjajte odrezani materijal i ne držite materijal koji je potrebno rezati. Kada uklanjate zaglavljenu materijal, uvjerite se da je sklopka u isključenom položaju. Trenutak nepažnje tijekom rada sa škarama za živicu može rezultirati teškim tjelesnim ozljedama.
- Škare za živicu nosite za dršku s reznim nožem u zaustavljenom položaju. Kada škare za živicu transportirate ili skladištite, montirajte štitičnik. Pravilno rukovanje škarama za živicu smanjuje mogućnost za tjelesnu ozljedu reznim noževima.
- Kada škare za živicu transportirate ili skladištite, montirajte štitičnik noža. Pravilno rukovanje škarama za živicu smanjuje rizik od tjelesne ozljede noževima.
- Kada čistite zaglavljenu materijal ili održavate stroj, pazite da sve sklopke za uključivanje budu isključene i da je baterijski modul skinut ili odspojen. Neočekivano uključivanje škara za živicu tijekom čišćenja zaglavljene materijala može prouzročiti teške tjelesne ozljede.
- Kada čistite zaglavljenu materijal ili servisirate stroj, pazite da sve sklopke za uključivanje budu isključene i da je kabel za napajanje odvojen. Neočekivano uključivanje škara za živicu tijekom čišćenja zaglavljene materijala može prouzročiti teške tjelesne ozljede.
- Škare za živicu držite samo za izolirane površine za držanje jer nož može doći u kontakt sa skrivenim kabelima. Kada noževi dođu u kontakt s kabelom pod naponom, postoji opasnost da neizolirani metalni dijelovi škara za živicu također budu pod naponom uslijed čega

rukovatelj može pretrpjeti električni udar.

- Sve kabele za napajanje i druge kabele držite dalje od područja rezanja. Kabeli za napajanje ili kabeli mogu biti skriveni u živici ili grmlju i može ih se nehotično odrezati nožem.
- Ne koristite škare za živicu u lošim vremenskim uvjetima, posebno kada postoji opasnost od grmljavine. Time ćete smanjiti opasnost od udara groma.

## DODATNE UPUTE U VEZI SIGURNOSTI ZA ŠAKRE ZA ŽIVICU S PRODUŽENIM DOSEGOM

- Da bi se smanjila opasnost od smrtonosnog električnog udara, škare za živicu s produženim dosegom nemojte upotrebljavati u blizini električnih vodova. Doticaj s električnim vodovima ili korištenje u njihovoj blizini može prouzročiti ozbiljne ozljede ili smrtonosni električni udar.
- Škare za živicu s produženim dosegom upotrebljavajte s dvije ruke. Škare za živicu s produženim dosegom držite s obje ruke kako ne biste izgubili kontrolu nad njima.
- Kada škare za živicu s produženim dosegom upotrebljavate na visinama iznad glave, koristite zaštitnu opremu za glavu. Ostaci koji padaju mogu dovesti do teške tjelesne ozljede.
- Prije rada provjerite da u živici nema stranih predmeta, primjerice žičana ograda i skrivenih kabela.
- Električni alat držite samo za izolirane površine za držanje.
- Škare za živicu namijenjene su rukovateljima koji se nalaze na tlu, a ne na ljestvama ili drugom nestabilnom osloncu.
- Upotrebljavajte samo s baterijskim modulima i punjačima koji su navedeni na Sl. A2.

## SAČUVAJTE OVE UPUTE

DODATNI POSEBNI SIGURNOSNI PROPISI MOGU SE PONAĆI U PRIRUČNIKU ZA RUKOVANJE ODGOARAJUĆIM NASTAVKOM.

## TEHNIČKI PODACI

Duljina noža	510 mm
Kapacitet rezanja	26 mm
Preporučena radna temperatura	0°C-40°C
Preporučena temperatura skladištenja	-20°C-70°C

Težina	2,67 kg	
Izmjerena razina zvučne snage $L_{WA}$	93,75 dB(A) K=1,7 dB(A)	
Razina zvučnog tlaka kod uha rukovatelja $L_{PA}$	83 dB(A) K=3 dB(A)	
Zajamčena razina zvučne snage $L_{WA}$ (izmjereno u skladu s 2000/14/EZ)	95 dB(A)	
Procjena vibracija $a_h$	Prednji rukohvat	1,3 m/s <sup>2</sup> K = 1,5 m/s <sup>2</sup>
	Stražnji rukohvat	1,5 m/s <sup>2</sup> K = 1,5 m/s <sup>2</sup>

- Navedeni parametri ispitani su i izmjereni za stroj opremljen pogonskom glavom PPX1000.
- Deklarirane ukupne vrijednosti vibracija izmjerene su u skladu sa standardnom metodom ispitivanja i mogu se koristiti za usporedbu jednog alata s drugim.
- Deklarirane ukupne vrijednosti vibracija mogu se koristiti i u preliminarnoj procjeni izloženosti.

**NAPOMENA!** Emisija vibracija tijekom aktualnog korištenja električnog alata može se razlikovati od deklarirane vrijednosti u kojoj se alat upotrebljavao; Radi zašтите rukovatelja korisnik treba nositi rukavice i štitnike za uši u aktualnim uvjetima uporabe.

## OPIS

### UPOZNAJTE PRIKLJUČAK ŠIŠAČA ŽIVICE (sl. A1)

1. Stražnja čahura
2. PREDNJA ČAHURA
3. Kućište motora
4. Navlaka za nož
5. Nož

### DOSTAVNICA (A2)

### SASTAVLJANJE

**⚠ UPOZORENJE:** Ako je bilo koji dio oštećen ili nedostaje, nemojte koristiti proizvod dok se ne zamijene dijelovi. Korištenje proizvoda na kojemu nedostaju dijelovi ili su oštećeni može dovesti do ozbiljne tjelesne ozljede.

**⚠ UPOZORENJE:** pri sastavljanju dijelova, obavljanju podešavanja, čišćenju ili kada ne koristite proizvod, baterijski modul izvadite iz proizvoda.

### PODEŠAVANJE KUTA NAGIBA GLAVE ZA REZANJE

Kada se nastavak za škare za živicu izvadi iz ambalaže, on će biti u sklopljenom položaju (Sl. B). Zglobni kut i radijalni kut rotacije glave mogu se neovisno podešavati. Prilagodite glavu za rezanje u prikladni radni položaj prije samog rada.

#### Podešavanje kuta zglobnog spoja

Postoji šest radnih položaja. Kut noža za rezanje može se podešavati u rasponu od -68 ° do 42 ° (Sl. C).

1. Povucite prednju čahuru prema natrag i zatim čvrsto uhvatite poklopac motora kako biste zaokrenuli nož za rezanje u željeni kut.

C-1	Prednja čahura
C-2	Stražnja čahura

2. Kada se dostigne željeni kut, gurnite čahuru prema naprijed kako biste fiksirali položaj glave za rezanje.

#### Podešavanje radijalne rotacije

Moguća su dva vertikalna položaja za rezanje (Sl. D). Može se podesiti ulijevo ili udesno pod kutom od 90°.

1. Povucite stražnju čahuru prema natrag i zatim čvrsto uhvatite poklopac motora kako biste zaokrenuli nož u željeni kut.
2. Kada se dostigne željeni kut, gurnite čahuru prema naprijed kako biste fiksirali položaj glave za rezanje.

**⚠ UPOZORENJE:** Da biste smanjili rizik od ozljede, uklonite bateriju prije samog podešavanja i podešavanja obavljajte samo kada su noževi u stanju mirovanja. Ne dodirujte noževe za vrijeme podešavanja.

**⚠ UPOZORENJE:** Lijevano kućište prijenosnog sklopa je vruće. Ne dodirujte površinu lijevanog kućišta prijenosnog sklopa bez rukavica.

### SPAJANJE NASTAVKA ŠKARA ZA ŽIVICU NA TELESKOPSKI POGONSKI ŠTAP//ODVAJANJA OD NJEGA (sl. E)

Ovaj nastavak škara za živicu predviđen je za upotrebu s teleskopskim pogonskim štapiom PPX1000 proizvođača EGO.

Pogledajte odjeljak "MONTAŽA NASTAVKA NA TELESKOPSKI POGONSKI ŠTAP" u priručniku za rukovanje teleskopskim pogonskim štapiom PPX1000 u vezi povezivanja škara za živicu s pogonskim štapiom.

Pogledajte odjeljak "UKLANJANJE NASTAVKA S TELESKOPSKOG POGONSKOG ŠTAPA" u priručniku za rukovanje teleskopskim pogonskim štapiom PPX1000 u vezi uklanjanja škara za živicu s pogonskog štapa.

## POSTAVLJANJE ŠTITNIKA VRHA (opcionalno)

- Ključem (ne isporučuje se) uklonite kratki vijak, ravnu podlošku, čahuru i maticu na kraju reznog noža. Spremite ravnu podlošku, čahuru i maticu za kasniju montažu (sl. F).

F-1	Matica	F-3	Ravna podloška
F-2	Čahura	F-4	Kratki vijak

- Poravnajte štitičnik vrha s izbočinom na reznom nožu i postavite ga na mjesto. Učvrstite ga novim dugim vijkom i maticom, kao i spremljenom podloškom, čahurom i maticom (sl. G).

G-1	Matica	G-4	Čahura
G-2	Štitičnik vrha	G-5	Ravna podloška
G-3	Matica	G-6	Dugi vijak

## RAD

**⚠ OPASNOST:** Ne režite u blizini električnih vodova, električnih kabela ili drugih električnih izvora. Ako se rezni noževj zaglave u električni kabel ili vod, **NE DIRAJTE NOŽ ILI ALUMINIJSKI ŠTAP! ONI MOGU POSTATI ELEKTRIČNO VODLJIVI I VRLO OPASNI.** Nastavak škara za živicu nastavite držati za izoliranu dršku ili ih na siguran način položite na tlo i dalje od sebe. Prije oslobađanja noža od električnog voda ili kabela, isključite električno napajanje oštećenog voda ili kabela. Kontakt s nožem, drugim vodljivim dijelovima nastavka škara za živicu ili električnim kabelima ili vodovima pod naponom može rezultirati smrću ili teškim ozljedama uslijed električnog udara.

**⚠ UPOZORENJE:** Nemojte biti nepažljivi zato što ste upoznati s načinom rada proizvoda. Zapamtite da je samo jedan djelić sekunde nepažnje dovoljan za nastanak ozbiljne ozljede.

**⚠ UPOZORENJE:** uvijek nosite zaštitu za oči. Nepostupanje u skladu s tim može rezultirati odbacivanjem predmeta u oči i drugim mogućim teškim ozljedama.

**⚠ UPOZORENJE:** Nemojte upotrebljavati nikakve priključke ili pribor koje nije preporučio proizvođač EGO™. Uporaba nastavaka ili pribora koji nije preporučeni, može dovesti do ozbiljnih tjelesnih ozljeda.

## PRIMJENE

Ovaj proizvod možete koristiti za rezanje živica, grmova, grančica, grmlja i sličnih materijala s promjerom grana manjim od Ø26 mm.

## UPOTREBA ŠKARA ZA ŽIVICU S TELESKOPSKIM POGONSKIM ŠTAPOM

# 196

BEŽIČNE ŠKARE ZA ŽIVICU S 56-VOLTNOM LITIJ-IONSKOM BATERIJOM — PTX5100

**⚠ UPOZORENJE:** Obucite se propisno kako biste smanjili rizik od ozljeda tijekom rukovanja alatom. Ne nosite široku odjeću ili nakit. Nosite zaštitu za oči i uši/sluh. Nosite jake duge hlače, čizme i rukavice. Nemojte nositi kratke hlače ili sandale ili biti bosonogi.

## PRIPREMA ZA REZANJE:

- Podesite reznu glavu u željeni radni položaj.
- Uklonite navlaku noža s noža za rezanje.
- Za siguran i bolji rad, preko ramena stavite ramenu traku. Podesite ramenu traku u udoban radni položaj. Slijedite upute za montažu naramenice na pogonski štap u odjeljku "MONTAŽA NARAMENICE" u priručniku za rukovanje pogonskim štapom PPX1000.

**⚠ UPOZORENJE:** Ramena traka je i mehanizam za brzo otpuštanje u opasnim situacijama. U slučaju nužde, traku za rame odmah skinite s ramena, bez obzira na koji način.

**⚠ UPOZORENJE:** Škare za živicu s produženim dosegom upotrebljavajte s dvije ruke. Škare za živicu s produženim dosegom držite s obje ruke kako ne biste izgubili kontrolu nad njima. Slijedite upute u odjeljku "DRŽANJE TELESKOPSKOG POGONSKOG ŠTAPA" u priručniku za rukovanje PPX1000

## TEHNIKE RADA

### Horizontalno rezanje (s reznom glavom pod određenim kutom)

Režite u blizini tla, u stojećem položaju, npr. za rezanje niskog grmlja.

Zamahujte reznom glavom udesno i ulijevo dok se krećete uz živicu - koristite obje strane reznih noževa, nemojte rezni nož polagati na tlo (sl. H).

Horizontalno rezanje (s ravno postavljenom reznom glavom):

Držite glavu za rezanje pod kutom od 0° do 10° dok polagano zamahujete šišaćem živice u horizontalnom smjeru. Zamahujte nožem za rezanje u luku prema vanjskim stranama živice, tako da se odrezani dijelovi skupljaju povijaju prema tlu (sl. I).

**Preporuka:** U ovom radnom položaju režite samo živicu koja nije viša od visine prsa.

### Vertikalno rezanje (s reznim nožem pod određenim kutom):

Režite tako da ne stojite neposredno uz živicu, npr. red cvijeća između rukovatelja i živice.

U ovom položaju za rezanje, za bolju kontrolu škara za živicu preporučuje se spajanje škara za živicu s reznom glavom u bočnom položaju za rezanje.

Zamahujte reznom glavom gore i dolje u luku kako se krećete duž živice - koristite obje strane reznog noža (sl. J).

#### Vertikalno rezanje (s ravnom reznom glavom):

Posebno dugi doseg bez potrebe za drugim pomagajima. Zamahujte reznom glavom gore i dolje u luku kako se krećete duž živice - koristite obje strane reznog noža (sl. k).

#### Rezanje iznad visine glave (s reznom glavom pod određenim kutom)

Držite šišač živice vertikalno i zamahujte njime u luku da biste maksimalno iskoristili svoj doseg (sl. L1 i L2). Za posebno visoke živice, prikladan je produžni štap kao pomagalo za podrezivanje.

**⚠ UPOZORENJE:** Svaki radni položaj iznad visine glave je naporan. Da biste smanjili rizik od nezgoda, radite na takvim mjestima samo kratka vremenska razdoblja. Postavite kut podesive rezne glave do maksimuma tako da se alat može držati u nižem, manje napornom položaju (s trakom za rame), a pritom osiguravajući odgovarajući doseg.

#### POKRETANJE/ZAUSTAVLJANJE RADA ALATA

Pogledajte odjeljak „**POKRETANJE/ZAUSTAVLJANJE TELESKOPSKOG POGONSKOG ŠTAPA**“ u korisničkom priručniku za rukovanje pogonskom jedinicom PPX1000

#### ODRŽAVANJE

**⚠ UPOZORENJE:** Pri servisiranju koristite samo identične zamjenske dijelove. Redovito obavljajte preglede i održavajte stroj. Radi sigurnosti i pouzdanosti, sve popravke treba obavljati kvalificirani servisni tehničar.

**⚠ UPOZORENJE:** Prije pregleda, čišćenja ili servisiranja uređaja, zaustavite rad motora, pričekajte da se svi pokretni dijelovi zaustave i izvadite bateriju. Nepoštivanje ovih uputa može rezultirati ozbiljnim tjelesnim ozljedama ili oštećenjem imovine.

**⚠ OBAVIJEST:** nije svake upotrebe, pregledajte da na stroju nema oštećenih, nedostajućih ili olabavljenih dijelova kao što su vijci, matice i poklopci. Dobro pritegnite sve elemente za pričvršćenje i kapice i ne koristite proizvod dok se svi dijelovi koji nedostaju ili oštećeni dijelovi ne zamijene. Obratite se službi za korisnike ili tehničaru ovlaštenog servisa.

#### OPĆE ODRŽAVANJE

Pri čišćenju plastičnih dijelova, izbjegavajte upotrebu otapala. Većina plastičnih materijala podložna je oštećenju od različitih vrsta komercijalnih otapala i mogu se oštetiti u slučaju njihove upotrebe. Za uklanjanje nečistoće, prašine, ulja, masti i sl. koristite čiste krpe.

#### ČIŠĆENJE NASTAVKA ŠKARA ZA ŽIVICU

1. Zaustavite rad motora i izvadite baterijski modul.
2. Vlažnom krpom i blagim deterdžentom očistite prljavštinu i ostatke s nastavka škara za živicu.

**OBAVIJEST:** Za čišćenje plastičnog kućišta ili rukovata ne koristite jake deterdžente. Njih mogu oštetiti neka aromatična ulja, kao što su borovo i limunovo ulje.

#### SKLADIŠTENJE NASTAVKA ŠKARA ZA ŽIVICU

1. Zaustavite rad motora i izvadite baterijski modul kada ostavljate alat.
2. Uklonite nastavak škara za živicu s teleskopskog pogonskog štapa.
3. Očistite sav strani materijal s nastavka škara za živicu.
4. Pohranite ga na mjestu koje nije dostupno djeci.
5. Držite ga dalje od korozivnih sredstava kao što su vrtno kemikalije i soli za odleđivanje.

#### ZAMJENA NOŽA

**⚠ UPOZORENJE:** Pri rukovanju nožem, nosite rukavice jer ti su dijelovi oštri i na njima može biti oštrih rubova.

1. Isključite alat i uklonite baterijski modul.
2. Podesite nož u horizontalni položaj, pazite pritom da sklop noža bude centriran s vratilom škara za živicu radi lakše montaže (Sl. M).

M-1	Vijak #1 (kratki vijci)	M-6	Čahura
M-2	Donji poklopac	M-7	Vijak #2 (dugi vijci)
M-3	Nosiva ploča 3#	M-8	Nosiva ploča 2#
M-4	Vezna poluga	M-9	Sklop noža
M-5	Nosiva ploča 1#	M-10	Ekscentrični blok

3. Imbus ključem (nije isporučen) otpustite 6 vijaka 1# (kratki vijci) s donje strane poklopca i uklonite ih.
4. Nastavite otpušati 2 vijka 2# (dugi vijci) kako biste uklonili nosivu ploču 1# i 2# kao i 2 čahure. Dvije čahure nalaze se zasebno unutar dva zaobljena pravokutna otvora na sklopu noža.
5. Uklonite nosivu ploču 3#.
6. Pažljivo uklonite veznu polugu s noža.
7. Uklonite sklop noža s alata i pazite da se ne promijeni položaj sklopa ekscentričnog bloka.

- Poravnajte unutarnje izbočenje na sklopu novog noža s rupom unutar vezne poluge kako biste ugradili novi sklop noža na njegovo mjesto.
- Stavite zasebno dvije čahure u dva zaobljena pravokutna otvora.
- Montirajte nosivu ploču 1# i zatim montirajte nosivu ploču 2#.
- Unutarnje rupe u nožu, čahure i rupe na nosivim pločama centrirajte s rupama za vijke na kućištu prijenosnog sklopa. Ugradite 2 duga vijka u centrirane rupe i čvrsto ih zategnite.
- Lagano pomoćite gornji nož naprijed i natrag kako biste provjerili može li se slobodno pomicati. Ako ne može, ponovno montirajte noževe tako da se mogu slobodno pomicati.
- Ugradite veznu polugu.
- Centrirajte rupu na nosivoj ploči 3# s izbočenjem na ekscentričnom bloku kako biste nosivu ploču ugradili na njezino mjesto, pazite da se pritom nosiva ploča nalazi u sredini i paralelno s oba ruba.
- Montirajte donji poklopac na kućište prijenosnog sklopa i pričvrstite ga sa 6 kratkih vijaka.

## PODMAZIVANJE NOŽA (sl. N)

Najbolje rezultate i duži radni vijek noža osigurat ćete ako rezni nož škara za živicu nakon svake upotrebe podmažete uljem protiv hrđanja. **NEMOJTE DO KRAJA ULJEM NAPUNITI RUPU ZA DOVOD ULJA.**

- Imbus ključem (ne isporučuje se) uklonite vijak iz rupe za dovod ulja na kućištu prijenosnog sklopa.

N-1 | Vijak rupa za dovod ulja

- Utisnite 5 g masti u prijenosni sklop kroz rupu za dovod masti.
- Kada završite, zategnite vijak.

## PODMAZIVANJE POGONSKOG PRIJENOSA

Najbolji rad i duži životni vijek osigurat ćete podmazivanjem pogonskog prijenosa nastavka škara za živicu posebnom mašću nakon svakih 100 sati rada.

Posebna mora zadovoljavati sljedeće uvjete:

- NLGI gradacija Prodornost: NLGI-2;
- Vrsta razrjeđivača: Poliurea;
- Preporučeni raspon radne temperature: -40 °C do 180 °C;
- Osim gore navedenoga, mast također mora biti stabilna za smična naprezanja uz iznimno dobre tlačne karakteristike i izvrsna svojstva protiv habanja uz odličnu antioksidacijsku stabilnost.

Pri punjenju masti slijedite donji postupak:

- Isključite alat i uklonite baterijski modul.
- Imbus ključem (neisporučuje se) otpustite i uklonite 3 kratka vijka (O-1) na poklopcu motora (O-2) i zatim odvojite poklopac motora (Sl. O).

O-1	Kratki vijak	O-5	Podloška
O-2	Poklopac motora	O-6	Kućište prijenosnika
O-3	Kratki vijak	O-7	Planetarni zupčanici
O-4	Motor		

- Otpustite 3 kratka vijka (O-3) na motoru i zatim odvojite motor i podlošku.
- Pištanjem za mast (ne isporučuje se) utisnite 5 g masti u središte 3 gornja planetarna zupčanika (O-7) u kućištu prijenosnog sklopa.

**NAPOMENA:** azite da prilikom utiskivanja masti, položaj ostalih dijelova u prijenosnom sklopu oстане ne promijenjen.

- Ponovno montirajte podlošku i motor te zategnite 3 kratka vijka (O-3).
- Ponovno montirajte poklopac motora te zategnite 3 kratka vijka (O-1).
- Pokrenite alat kako biste provjerili ispravnost rada. Ako ne radi ispravno, ponovno ga sastavite prema gornjim uputama.

**NAPOMENA:** Nakon uklanjanja poklopca motora, očistite piljevinu nakupljenu oko motora.

## Zaštita okoliša



Električnu opremu, punjač baterije i baterije/akumulatorske baterije ne odlažite u otpad iz kućanstva!

## OTKLANJANJE SMETNJI

PROBLEM	UZROK	RJEŠENJE
Škare za živicu ne rade.	<ul style="list-style-type: none"> <li>■ Nema električnog kontakta između škara i baterije.</li> <li>■ Baterijski modul je ispražnjen.</li> <li>■ Aktivirala se zaštita od previsoke temperature baterijskog modula ili alata</li> <li>■ Nož je zaglavljen.</li> </ul>	<ul style="list-style-type: none"> <li>■ Izvadite bateriju, provjerite kontakte i ponovno stavite baterijski modul.</li> <li>■ Napunite baterijski modul.</li> <li>■ Pričekajte da se baterijski modul ili pogonski štap ohlade na temperaturu ispod 67 °C.</li> <li>■ Izvadite baterijski modul iz alata. Pažljivo uklonite prepreku, zatim ponovno umetnite bateriju i ponovno pokrenite alat.</li> </ul>
Prekomjerne vibracije ili buka.	<ul style="list-style-type: none"> <li>■ Suhi ili korodirani noževi.</li> <li>■ Noževi ili držač noža su savijeni.</li> <li>■ Savijeni ili oštećeni zupci.</li> <li>■ Otpušteni vijci noža.</li> </ul>	<ul style="list-style-type: none"> <li>■ Podmažite noževe.</li> <li>■ Zamijenite novim nožem ili nosačem na temelju uputa iz poglavlja „ZAMJENA NOŽA“ u ovom priručniku ili se obratite servisnom centru EGO radi zamjene.</li> <li>■ Zamijenite novim nožem na temelju uputa iz poglavlja „ZAMJENA NOŽA“ u ovom priručniku ili se obratite servisnom centru EGO radi zamjene.</li> <li>■ Zategnite vijke noža. Imbus ključem (nije isporučen) okrećite vijak udesno za zatezanje.</li> </ul>

## JAMSTVO

### JAMSTVENA POLITIKA PROIZVOĐAČA EGO

Za cjelokupne uvjete jamstvene politike proizvođača EGO posjetite internetsku stranicu [egopowerplus.com](http://egopowerplus.com).

## სრულად გაეცანით ინსტრუქციას!



**გაეცანით მომხმარებლის ინსტრუქციას**

**▲ არსებული რისკი!** პიროვნებებმა ისეთი ელექტრული მოწყობილობებით, როგორცაა იმპლანტირებული დეფიბრილატორი, უნდა მიმართონ პირად ექიმს რჩევებისთვის ამ პროდუქტის გამოყენებამდე. იმპლანტირებულ დეფიბრილატორთან უშუალო სიახლოვეს ელექტრული მოწყობილობის ოპერირებამ შესაძლოა დეფიბრილატორს ხელი შეუშალოს მუშაობაში ან გათიშოს იგი.

**▲ გაფრთხილება:** ხელსაწყოს უსაფრთხოოდ და გამართულად მუშაობისთვის საჭიროა მისი ყველა შეკეთება და ნაწილის შეცვლა შესრულდეს კვალიფიციური სერვისის ტექნიკოსის მიერ.

## უსაფრთხოების წესის სიმბოლოები

უსაფრთხოების წესის სიმბოლოების მიზანია მიაქციოთ ყურადღება შესაძლო საფრთხეებს. ყურადღებით გაეცანით და შეისწავლეთ უსაფრთხოების წესის სიმბოლოები და მათი შესაბამისი განმარტებები. უსაფრთხოების წესის სიმბოლოების მინიშნებები თავისთავად არ ანეიტრალებს რაიმე საფრთხის არსებობის რისკს. მათ მიერ მოწოდებული ინსტრუქციები და გაფრთხილებები არ არიან შემთხვევის თავიდან აცილების სწორი პროცედურის შემცველები.

**▲ გაფრთხილება:** ხელსაწყოს გამოყენებამდე დაწვრილებით გაეცანით და შეისწავლეთ ყველა უსაფრთხოების წესი მომხმარებლის ამ ინსტრუქციაში, მათ შორის ყველა უსაფრთხოების წესის სიმბოლო როგორცაა „საშიშროება“, „გაფრთხილება“ და „ყურადღება“. ქვემოთ ჩამოთვლილი ყველა ინსტრუქციის უგულვებლყოფამ შესაძლოა გამოიწვიოს ელექტრული შოკი, ხანძარი და/ან მოგაყენოთ სერიოზული პირადი ზიანი.

## სიმბოლოების მნიშვნელობა

**▲** უსაფრთხოების შეტყობინების სიმბოლო: აღნიშნავს - „საშიშროება“, „გაფრთხილება“ ან „ყურადღება“. შესაძლოა გამოყენებულ იქნას სხვა სიმბოლოებთან ან პიქტოგრამებთან ერთად.



**გაფრთხილება:** ელექტრული ხელსაწყოს გამოყენებისას შესაძლოა უცხო სხეულის თვალების მიდამოში მოხვედრა, რამაც შესაძლოა გამოიწვიოს თვალის მნიშვნელოვანი დაზიანება. ელექტრული ხელსაწყოს გამოყენებამდე აუცილებლად მოირჩეთ უსაფრთხოების თვალსაფარი ან სათვალე მყარი თვალის დამცავებით და მთლიანი სახის ეკრანით. ჩვენ რეკომენდაციას ვუწვევთ ფართო ხედვის არის მქონე უსაფრთხოების ნიღაბს სათვალეებთან ერთად ან სტანდარტულ გვერდითა ეკრანების მქონე უსაფრთხოების სათვალეებს.

## უსაფრთხოების წესის ინსტრუქცია

ეს გვერდი აჩვენებს და აღწერს იმ უსაფრთხოების წესის სიმბოლოებს, რომლებიც შესაძლოა აღბეჭდილია მოცემულ პროდუქტზე. წაიკითხეთ, შეისწავლეთ და მიეყვით ხელსაწყოს ყველა ინსტრუქციას მის აწყობამდე და ჩართვამდე.

	უსაფრთხოების გაფრთხილება	აღნიშნავს შესაძლო პირადი ზიანის საფრთხეს.
	გაეცანით მომხმარებლის ინსტრუქციას	დაზიანების რისკის შესამცირებლად მომხმარებელმა უნდა წაიკითხოს ხელსაწყოს მუშაობის ინსტრუქცია.

KA



	<p>დაიჭირეთ საკმარისი დისტანცია ელექტრული გადამცემი ხაზებისგან</p>	<p>ელექტრული დენის დარტყმის ასარიდებლად არ ამუშაოთ ხელსაწყო 15 მ-ის მახლობლობაში ჰაერში გაქიმულ დენის სადენებთან. ხელსაწყოს გამოყენებისას მისმა დენის გადამცემ ხაზებთან შეხებამ შესაძლოა გამოიწვიოს სერიოზული ზიანი ან ფატალური ელექტრული შოკი.</p>
	<p>ხმაური</p>	<p>გარანტირებული ხმის სიმძლავრის დონე. გარემოში ხმაურის გავრცელების დონე ევროკავშირის რეგულაციების შესატყვისია.</p>
	<p>CE</p>	<p>ხელსაწყო შეესაბამება ევროკავშირის მიერ წამოყენებულ რეგულაციებს.</p>
	<p>WEEE</p>	<p>ელექტრული ხელსაწყოების უტოლიზაცია არ უნდა მოხდეს საყოფაცხოვრებო ნარჩენებთან ერთად. წაიღეთ ხელსაწყო ნარჩენების ავტორიზებულ გადამამუშავებელთან.</p>
	<p>მოარიდეთ ხელები და ფეხები მჭრელ ნაწილებს.</p>	<p>არასოდეს შეეცადოთ ელექტრული ხელსაწყოს ერთი ხელით გამოყენებას. ამან შესაძლოა გამოიწვიოს ხელსაწყოზე კონტროლის დაკარგვა და მოგაყენოთ სერიოზული ან ფატალური ზიანი. დაზიანების რისკის შესამცირებლად მოარიდეთ ხელები და ფეხები მჭრელ ნაწილებს. არასოდეს მიახლოდეთ მოძრავი ხელსაწყო თქვენი ხელით ან სხეულის სხვა ნაწილით.</p>

	<p>გაიკეთეთ თვალის და თავის დამცავი საშუალებები</p>	<p>ყოველთვის გაიკეთეთ თვალისა და თავის დამცავი საშუალებები ხელსაწყოთი სარგებლობისას.</p>
<p>IPX5</p>	<p>IP სიმბოლო</p>	<p>მე-5-ე დონის დაცვა წყლის შესვლისგან</p>
<p>V</p>	<p>ვოლტი</p>	<p>მაგვა</p>
<p>mm</p>	<p>მილიმეტრი</p>	<p>სიგრძე ან ზომა</p>
<p>cm</p>	<p>სანტიმეტრი</p>	<p>სიგრძე ან ზომა</p>
<p>kg</p>	<p>კილოგრამი</p>	<p>წონა</p>
	<p>მუდმივი დენი</p>	<p>დენის ტიპი ან სახე</p>

**⚠ ბუჩქის საკრეჭის უსაფრთხოების მითითებები**

- მოარიდეთ სხეულის ყველა ნაწილი საკრეჭ დანას. არ მოაცილოთ ხელსაწყოს მოჭრილი საგნები ან ხელით დაიჭიროთ გასაჭრელი საგნები, როცა დანები მოძრაობის პროცესშია. დარწმუნდით რომ ჩამრთველი არის გათიშული მდგომარეობაში გაჭედილი სხეულების მოცილებამდე. ბუჩქის საკრეჭით სარგებლობისას მყისიერმა უყურადღებობამ შეიძლება მოგაყენოთ სერიოზული პირადი ზიანი.
- ატარეთ ბუჩქის საკრეჭი თავისი სახელურით, გაჩერებული მჭრელი დანით. როდესაც ახდენთ ბუჩქის საკრეჭის შენახვას ან ტრანსპორტირებას, ყოველთვის მოაცივთ საჭრელ ნაწილს დამცავი შალითა. ბუჩქის საკრეჭის სწორი მოპყრობა შეამცირებს მჭრელი დანიდან მიღებულ შესაძლო პერსონალურ ფიზიკურ ზიანს.
- როდესაც ახდენთ ბუჩქის საკრეჭის შენახვას ან ტრანსპორტირებას, ყოველთვის მოაცივთ დანას დამცავი შალითა. ბუჩქის საკრეჭის სწორი მოპყრობა შეამცირებს მჭრელი დანიდან მიღებულ შესაძლო პერსონალურ ფიზიკურ ზიანს.
- გაჭედილი საგნების მოცილებისას ან ხელსაწყოს ტექნიკური სერვისისას დარწმუნდით რომ ყველა ჩამრთველი არის გამორთულ მდგომარეობაში და აკუმულატორი მოხსნილია ან ამორთულია. ბუჩქის საკრეჭის უცაბედმა ჩართვამ გაჭედილი საგნების მოცილებისას ან ხელსაწყოს ტექნიკური სერვისისას შეიძლება მოგაყენოთ სერიოზული პირადი ზიანი.

KA

- გაჭედული საგნების მოცილებისას ან ხელსაწყოს ტექნიკური სერვისისას დარწმუნებით რომ ყველა ჩამრთველი არის გამორთულ მდგომარეობაში და ჩამკეტი არის ბლოკირების პოზიციაში. ბუჩქის საკრეჭის უცაბედმა ჩართვამ გაჭედული საგნების მოცილებისას ან ხელსაწყოს ტექნიკური სერვისისას შეიძლება მოგაყენოთ სერიოზული პირადი ზიანი.
- დაიჭირეთ ბუჩქის საკრეჭი მხოლოდ იზოლირებული ხელჩასაჭიდი ადგილებით, რადგან დანა შესაძლოა შეეხოს ფარულ დენის გაყვანილობას. დანები, რომლებიც შეეხება დენის გამტარ სადენს, თავადაც ხდება ბუჩქის საკრეჭის შიშველ ლითონის ნაწილებს გამტარს და შესაძლოა გამოიწვიონ მომხმარებლის ელექტრული შოკი.
- მთარიდეთ ყველა სადენი და კაბელი სამუშაო გასაკრეჭ არეს. მუშაობისას სადენი ან კაბელი შესაძლოა დამალული იყოს ბუჩქსა ან ჩირგვში და შემთხვევით გაიჭრას დანის მიერ.
- არ გამოიყენოთ ბუჩქის საკრეჭი ცუდი ამინდის პირობებში, განსაკუთრებით როდესაც არსებობს მეხის დაცემის რისკი. ეს შეამცირებს თქვენზე მეხის დაცემის რისკს.

### ⚠ დამატებითი უსაფრთხოების წესის ინსტრუქციები გაზრდილი მიწვდომის მქონე ბუჩქის საკრეჭებისთვის

- ელექტრული შოკის მიღების რისკის შესამცირებლად, არასოდეს გამოიყენოთ გაზრდილი მიწვდომის მქონე ბუჩქის საკრეჭი ნებისმიერ ელექტრული დენის გადამცემი ხაზების სიახლოვეს. ხელსაწყოს გამოყენებისას მისმა დენის გადამცემ ხაზებთან შეხებამ შესაძლოა გამოიწვიოს სერიოზული ზიანი ან ფატალური ელექტრული შოკი.
- ყოველთვის გამოიყენეთ ორივე ხელი გაზრდილი მიწვდომის მქონე ბუჩქის საკრეჭით სარგებლობისას. დაიჭირეთ გაზრდილი მიწვდომის მქონე ბუჩქის საკრეჭი ხელით, რათა თავიდან აირიდოთ ხელსაწყოზე კონტროლის დაკარგვა.
- ყოველთვის გამოიყენეთ თავის დამცავი საშუალება გაზრდილი მიწვდომის მქონე ბუჩქის საკრეჭით სარგებლობისას. დაცვენელმა ნარჩენებმა შესაძლოა მოგაყენოთ სერიოზული პერსონალური ზიანი.

- სამუშაოს დაწყებამდე შეამოწმეთ ბუჩქი დამალულ საგნებზე, როგორცაა მავთულის რომე ან ფარული ელექტრული სადენები.
- დაიჭირეთ ელექტრული ხელსაწყო მხოლოდ იზოლირებული ხელჩასაჭიდი ადგილებით.
- ბუჩქის საკრეჭი განკუთვნილია ექსპლუატაციისთვის როცა მომხმარებელი მყარად დგას მიწაზე, და არა კიბესა ან სხვა რაიმე არამყარ საყრდენზე.
- გამოიყენეთ მხოლოდ ის აკუმულატორის ბლოკები და დამტენები, რომლებიც მითითებულია ნახ. A2-ში

### შეინახეთ ეს მომხმარებლის ინსტრუქცია! დამატებითი სპეციფიკური უსაფრთხოების წესები გაწერილია მისადაგებული მიმაგრების მომხმარებლის ინსტრუქციაში.

## სპეციფიკაციები

დანის სიგრძე	510 მმ	
ჭრის უნარი	26 მმ	
რეკომენდებული საექსპლუატაციო ტემპერატურა	0°C-40°C	
რეკომენდებული დასაწყობების ტემპერატურა	-20°C-70°C	
წონა	2.67 კგ	
გაზომილი ხმის სიმძლავრის დონე $L_{WA}$	93,75 dB(A) $K=1,7$ dB(A)	
ბგერის წნევის დონე მომხმარებლის ყურზე $L_{PA}$	83 dB(A) $K=3$ dB(A)	
გარანტირებული ხმის სიმძლავრის დონე $L_{WA}$ (გაზომილი 2000/14/EC რეგულაციის მიხედვით)	95 dB(A)	
ვიბრაციის შეფასება $a_h$	წინა სახელური	1,3 მ/წმ <sup>2</sup> $K = 1,5$ მ/წმ <sup>2</sup>
	უკანა სახელური	1,5 მ/წმ <sup>2</sup> $K = 1,5$ მ/წმ <sup>2</sup>

KA

- მითითებული პარამეტრები ტესტირებული და გაზომილია PPX1000 ელექტრული ძელის საშუალებით.
- მითითებული ვიზრაციის სრული მნიშვნელობა გაზომილია სტანდარტული ტესტირების მეთოდით და შესაძლოა გამოყენებულ იქნას ერთი ხელსაწყოს მეორესთან შედარებისას.
- მითითებული ვიზრაციის სრული მნიშვნელობა ასევე შესაძლოა გამოყენებულ იქნას ზემოქმედების პირველადი შეფასებისას.

**შენიშვნა:** ელექტრული ხელსაწყოს ვიზრაციის ემისია გამოყენებისას შესაძლოა განსხვავდებოდეს მითითებული ოდენობისგან; მომხმარებელმა ხელსაწყოთი სარგებლობისას საჭიროა გამოიყენოს ხელთათმანები და ყურის დამცავი საშუალებები.

## აღწერა

**შეისწავლეთ თქვენი ბუჩქის საკრეჭი მიმაგრება (ნახ. A1)**

1. უკანა მილისი
2. წინა მილისი
3. მოტორის ბუდე
4. დანის ბუდე
5. დანა

## შეუეთვის ჩამონათვალი (A2)

### ანყოფა

**▲ გაფრთხილება:** თუ რომელიმე ნაწილი დაზიანებულია ან დაკარგულია, არ ისარგებლოთ ხელსაწყოთი, სანამ ყველა ნაწილი არ შეიცვლება. დაზიანებული ან დანაკლისი ნაწილების მქონე ხელსაწყოთი სარგებლობას შესაძლოა მოჰყვეს სერიოზული პირადი ზიანი.

**▲ გაფრთხილება:** ყოველთვის მოხსენით აკუმულატორი ხელსაწყოს, როდესაც ხდება მისი აწყობა, რეგულირება, წმენდა ან როდესაც არ ხდება ხელსაწყოს გამოყენება.

### მჭრელი თავის კუთხის რეგულირება

როდესაც ბუჩქის საკრეჭი მიმაგრებას ამოიღებთ შეფუთვიდან, ის იქნება დაკეცილი შეფუთვისთვის საჭირო პოზიციაში (ნახ. B). მჭრელი თავაკის მობრუნების კუთხე და წრიული ბრუნვა შეიძლება დამოუკიდებლად დარეგულირდეს. მოატრიალეთ მჭრელი თავაკი სასურველ სამუშაო პოზიციაში ექსპლუატაციის დაწყებამდე.

### მობრუნების კუთხის რეგულირება

ხელსაწყოს გააჩნია ექვსი შესაძლო სამუშაო პოზიცია. მჭრელი დანის კუთხე შესაძლოა დარეგულირდეს -68°-დან 42°-მდე (ნახ. C).

1. ჩამოწიეთ წინა მილისი, შემდეგ მყარად დაიჭირეთ მოტორის ბუდე, რათა დაატრიალოთ ხელსაწყო სასურველ მობრუნების კუთხემდე.

C-1	წინა მილისი
C-2	უკანა მილისი

2. როცა მიაღწევთ სასურველ მობრუნების კუთხეს, მიაწიეთ მილისს, რათა ჩაკეტოთ მჭრელი თავაკი პოზიციაში.

### წრიული ბრუნვის რეგულირება

ხელსაწყოს აქვს ორი ვერტიკალური ჭრის პოზიცია (ნახ. D). მისი რეგულირება შესაძლოა მარცხნივ ან მარჯვნივ 90°-ით.

1. ჩამოწიეთ უკანა მილისი, შემდეგ მყარად დაიჭირეთ მოტორის ბუდე, რათა დაატრიალოთ დანა სასურველ პოზიციაში.
2. როცა მიაღწევთ სასურველ კუთხეს, მიაწიეთ მილისს, რათა ჩაკეტოთ მჭრელი თავაკი პოზიციაში.

**▲ გაფრთხილება:** დაზიანების რისკის შესამცირებლად მოწყობილობის დარეგულირებამდე ამოიღეთ ელემენტი და დაიწყეთ მისი პოზიციის ცვლილება მხოლოდ დანების სრული გაჩერების შემდეგ. არ შეეხოთ დანას, როდესაც ახდენთ მის რეგულირებას.

**▲ გაფრთხილება:** გადაცემათა კოლოფის ჩამოსხმული მეტალის ბუდე ცხელდება. არასოდეს შეეხოთ გადაცემათა კოლოფის მეტალის ბუდეს დამცავი ხელთათმანების გარეშე.

KA

ტელესკოპურ ელექტრულ ძელზე ბუჩქის საკრეცი მიმაგრების დამონტაჟება/მოხსნა (ნახ. E)

ბუჩქის საკრეცის მისამაგრებელი მოწყობილობა განკუთვნილია EGO-ს PPX1000 ტელესკოპურ ელექტრულ ძელთან მუშაობისთვის.

იხილეთ „ტელესკოპურ ელექტრულ ძელზე მიმაგრებული მოწყობილობის დამონტაჟება“ სექცია PPX1000 ელექტრული ძელის მომხმარებლის ინსტრუქციაში, რათა მიუერთოთ ბუჩქის საკრეცი ელექტრულ ძელს.

იხილეთ „ტელესკოპურ ელექტრულ ძელზე მიმაგრებული მოწყობილობის მოხსნა“ სექცია PPX1000 ელექტრული ძელის მომხმარებლის ინსტრუქციაში, რათა მოხსნათ ბუჩქის საკრეცი ელექტრულ ძელს.

### წვერის დამცავის დამონტაჟება (იყიდება ცალკე)

1. გამოიყენეთ ქანჩის გასაღები (არ არის შეფუთვაში), რათა მოხსნათ მოკლე ჭანჭიკი, შუასაღები, მილისი და ქანჩი საჭრელი დანის ბოლოს. შეინახეთ შუასაღები, მილისი და ქანჩი ხელახალი აწყობისთვის (ნახ. F).

F-1	ქანჩი	F-3	შუასაღები
F-2	მილისი	F-4	მოკლე ჭანჭიკი

2. გაუსწორეთ წვერის დამცავი საჭრელ დანაზე არსებულ გამოწვეულ ზედაპირს და დაამაგრეთ თავის ადგილას. მჭიდროდ დაამაგრეთ ახალი გრძელი ჭანჭიკით და ქანჩით, ასევე გამოიყენეთ გადანახული შუასაღები, მილისი და ქანჩი (ნახ. G).

G-1	ქანჩი	G-4	მილისი
G-2	წვერის დამცავი	G-5	შუასაღები
G-3	ქანჩი	G-6	გრძელი ჭანჭიკი

## ექსპლუატაცია

**▲ საფრთხე:** არასოდეს გაჭრათ დენის გადამცემი ხაზების, სადენების ან სხვა ელექტროენერგიის წყაროების მახლობლობაში. თუ საჭრელი დანა გაიჭედება რაიმე დენის სადენსა ან ხაზში, ხელი არ მოვიდით დანას ან ალუმინის ტარს! ისინი შესაძლოა გახდნენ დენის გამტარი და ძალიან სახიფათო. ხელი მოვიდეთ მხოლოდ ბუჩქის საკრეცის მიმაგრების იზოლირებულ სახელურს ან ფრთხილად და უსაფრთხოდ დადეთ მიწაზე თქვენგან მოშორებით. გათიშეთ

დაზიანებული ხაზის ან სადენის დენი წყარო, სანამ შეეცდებით დანის გამოხსნას. დანის და სხვა ბუჩქის საკრეცის მიმაგრების გამტარი ნაწილების დენის სადენებთან და ხაზებთან კონტაქტმა შესაძლოა გამოიწვიოს სიკვდილი ელექტრული შოკით ან სერიოზული ფიზიკური ზიანი.

**▲ გაფრთხილება:** შეეცადეთ მსგავსი პროდუქტის გამოყენების გამოცილებამ არ გამოიწვიოს თქვენი უგულისყურობა. დაიმახსოვრეთ რომ უგულისყურობამ წამის მეთაღმდეგ კი შესაძლოა მოგიტანოთ სერიოზული ზიანი.

**▲ გაფრთხილება:** ყოველთვის გაიკეთეთ თვალების დამცავი. ამ ინსტრუქციის უგულებელყოფამ შესაძლოა გამოიწვიოს სხვადასხვა სხეულის თვალში მოხვედრა და სხვა შესაძლო სერიოზული ზიანი.

**▲ გაფრთხილება:** არ გამოიყენოთ სხვა ნებისმიერი ნაწილი ან აქსესუარი, რომელიც არაა რეკომენდირებული ამ ხელსაწყოს მწარმოებლის EGO™-ს მიერ. არარეკომენდირებული ნაწილის გამოყენებამ შესაძლოა მოგაყენოთ სერიოზული ზიანი.

### გამოყენებები

თქვენ შეგიძლიათ ამ ხელსაწყოს გამოყენება ბუჩქოვანი ღობის, ჩირგვების, ბუჩქნარის და ბუჩქების გასაკრეჭად, რომელთა ტოტების დიამეტრი 026 მმ-ზე ნაკლებია.

### ბუჩქის საკრეცი მიმაგრების გამოყენება ტელესკოპურ ელექტრულ ძელზე

**▲ გაფრთხილება:** ჩაიცივთ შესაბამისად, რათა შეამცროთ დაზიანების რისკი ხელსაწყოთა სარგებლობისას. არ ჩაიცივთ განიერი, ფრიალა ტანსაცმელი და ძვირფასეულობა. მოირგეთ თვალის და ყურის/სმენის დამცავი საშუალებები. ჩაიცივთ სამუშაო გრძელი მარვალი, ჩექმა და ხელთათმანები. დაუშვებელია გეცვათ მოკლე შორტი, სანდლები ან იართი ფეხმძიველმა.

### ჭრისთვის მზადება:

1. დაარეგულირეთ საჭრელი თავაკი სასურველ სამუშაო პოზიციაში.
2. მოხსენით მჭრელ დანას შალითა.
3. უსაფრთხო და უკეთესი მოხმარებისთვის, გადაიკიდეთ ჩამოსაკიდი ღვედი მხარზე. დაარეგულირეთ ღვედი კომფორტულ სამუშაო პოზიციაში. მიჰყევით მითითებებს სექციაში „მხარზე ჩამოსაკიდი ღვედის დამაგრება“ PPX1000 მომხმარებლის ინსტრუქციაში, რათა დაამაგროთ მხრის ღვედი ელექტრულ ძელზე.

**▲ გაფრთხილება:** Ram გაფრთხილება: მხრის ღვედი ასევე წარმოადგენს ხელსაწყოს სწრაფად მოხსნის საშუალებას სახიფათო სიტუაციაში. როდესაც ხდება გაუთვალისწინებელი შემთხვევა, მაშინვე მოიხსენით ღვედი მხრიდან, მიუხედავად იმისა თუ რომელ მხარზე მდებარეობს იგი.

**▲ გაფრთხილება:** ყოველთვის გამოიყენეთ ორივე ხელი გაზრდილი მიწვდომის მქონე ბუჩქის საკრეჭით სარგებლობისას. დაიჭირეთ გაზრდილი მიწვდომის მქონე ბუჩქის საკრეჭი ხელით, რათა თავიდან აირიდოთ ხელსაწყოზე კონტროლის დაკარგვა. მიჰყევით მითითებებს სექციაში „ტელესკოპური ელექტრული ძელის დაჭერის წესი“ PPX1000 მომხმარებლის ინსტრუქციაში

**სამუშაო ტექნიკა**

**ჰორიზონტალური ჭრა (საჭრელი თავაკი დახრილია კუთხით)**

ჰორიზონტალური ჭრა (საჭრელი თავაკი დახრილია კუთხით)

ფეხზე მდგარი პოზიციიდან გაკრიჭეთ მიწასთან ახლოს, მაგალითად დაბალი ბუჩქნარის შესაკვევად.

გააქანეთ საჭრელი თავაკი მარჯვნივ-მარცხნივ ბუჩქის გასწვრივ - გამოიყენეთ დანის ორივე მხარე და არ დადოთ საჭრელი დანა მიწაზე (ნახ. H).

ჰორიზონტალური ჭრა (საჭრელი დანა სწორ პოზიციაში)

დაიჭირეთ საჭრელი დანა 0° კუთხით, როდესაც წელა იქნევთ ბუჩქის საკრეჭს ჰორიზონტალური მიმართულებით. გაიქნით საჭრელი თავაკი რკალური ტრაექტორიით ბუჩქის გარეთა ნაწილებსკენ, რათა მოჭრილი ტოტები გაიფანტოს მიწაზე (ნახ. I).

**რეკომენდაცია:** ამ გზით ისეთი ბუჩქები გაკრიჭეთ, რომელთა სიმაღლეც არაუმეტესია მკერდის სიმაღლისა სამუშაო პოზიციაში.

**ვერტიკალური ჭრა (საჭრელი დანა დახრილია კუთხით)**

გაკრიჭეთ ისე რომ არ იდგეთ ბუჩქის უშუალო სიახლოვეს, მაგალითისთვის თუ არის ყვავილნარი მომხმარებელსა და გასაკრეჭ ბუჩქს შორის.

ასეთ ჭრის პოზიციაში ბუჩქის საკრეჭის უკეთესი კონტროლისათვის რეკომენდირებულია მისი მიერთება ელექტრულ ძელთან გვერდული ჭრის პოზიციაში.

გააქანეთ საჭრელი თავაკი ზევით-ქვევით რკალური ტრაექტორიით ბუჩქის გასწვრივ - გამოიყენეთ საჭრელი დანის ორივე მხარე (ნახ. J).

**ვერტიკალური ჭრა (საჭრელი თავაკი სწორ პოზიციაში)**

საკრეჭს აქვს საკმაო სიგრძე, რომელიც არ საჭიროებს დამატებით დამხმარე საშუალებებს. გააქანეთ საჭრელი თავაკი ზევით-ქვევით რკალური ტრაექტორიით ბუჩქის გასწვრივ - გამოიყენეთ საჭრელი დანის ორივე მხარე (ნახ. K).

**მაღლივი ჭრა (საჭრელი თავაკი დახრილია კუთხით)**

დაიჭირეთ ბუჩქის საკრეჭი ვერტიკალურად და გაიქნით რკალური ტრაექტორიით, რათა გამოიყენოთ მისი სიგრძე მაქსიმალურად (ნახ. L1&L2). ძალიან მაღალი ბუჩქისთვის, დამარგმელებელი ტარი არის ჭრის შესაბამისი დამხმარე საშუალება.

**▲ გაფრთხილება:** ნებისმიერი სამუშაო პოზიცია თავის მაღლა მდებარეობით არის დამღვლი. ინიცედენტების რისკის შესამცირებლად ასეთ მდგომარეობაში იმუშავეთ მხოლოდ მცირე პერიოდებით. დაარეგულირეთ საჭრელი თავაკის კუთხე მაქსიმუმზე ისე, რომ ხელსაწყო დაიჭიროთ უფრო ქვედა, ნაკლებად დამღვლი პოზიციაში (მხრის ღვედის საშუალებით) და მანინ მიიღოთ სასურველი სიგრძე.

**ხელსაწყო ჩასართავად/გამოსართავად**

იხილეთ სექცია „ტელესკოპური ელექტრული ძელის ჩართვა/გამორთვა“ PPX1000 ელექტრული ძელის მომხმარებლის ინსტრუქციაში.

**მოვლა**

**▲ გაფრთხილება:** ტექნიკური სერვისისას გამოიყენეთ მხოლოდ იდენტური სათადარიგო ნაწილები. გაუკეთეთ ხელსაწყოს რეგულარული შემოწმება და ინსპექტირება. ხელსაწყოს უსაფრთხოოდ და გამართულად მუშაობისთვის საჭიროა მისი ყველა მეკეთება და ნაწილის შეცვლა შესრულდეს კვალიფიციური სერვისის ტექნიკოსის მიერ.

**▲ გაფრთხილება:** ხელსაწყოს შემოწმებამდე, გაწმენდამდე და სერვისამდე, გააჩერეთ მობოტორი, დაელოდეთ ყველა მოძრავი ნაწილის გაჩერებას და მოხსენით აკუმულატორი. ჩამოთვლილი ინსტრუქციების უგულვებელყოფამ შესაძლოა გამოიწვიოს სერიოზული ფიზიკური ან მატერიალური ზიანი.

**▲ შენიშვნა:** ყოველი გამოყენების წინ შეამოწმეთ მთლიანი ხელსაწყო შესაძლო დაზიანებულ, დაკარგულ ან მარცვებულ ნაწილებზე, როგორცაა ხრახნები, ქანწები, ჭანჭიკები, ხუფები და ა.შ. მჭიდროდ დაუჭირეთ ყველა სამაგრი და ხუფი და არ ამუშაოთ ხელსაწყო, სანამ ყველა დაკარგული ან დაზიანებული ნაწილი არ შეიცვლება.

KA

გთხოვთ დაუკავშირდეთ მომხმარებელთა მომსახურების ცენტრს ან კვალიფიცირებულ სერვისის ტექნიკოსს.

### ზოგადი მოვლის წესი

მოერიდეთ გამხსნელების გამოყენებას ხელსაწყოს პლასტმასის ნაწილების გაწმენდისას. პლასტმასების უმეტესობა ადვილად ზიანდება მათზე გამხსნელების გამოყენების შედეგად. გამოიყენეთ სუფთა ტილო ტალახის, მტვრის, ზეთის, ცხიმის და სხვ. მოსაცილებლად.

### ბურქის საკრეცის მიმაგრების წმენდის წესი

1. გააჩერეთ მოტორი და მოხსენით აკუმულატორი.
2. გაწმინდეთ ბურქის საკრეკ მიმაგრებაზე არსებული ჭუჭყი და ნარჩენი ნოტიო ქსოვილით და რბილი სარეცხი საშუალებით.

**შენიშვნა:** არ გამოიყენოთ ძლიერი გამწმენდი საშუალებები პლასტმასის ბუდეზე ან სახელურზე. ისინი შესაძლოა დაზიანდეს ისეთი პრომატიზატორებით, როგორცაა ნაძვის ან ლიმნის ზეთი.

### ბურქის საკრეცის მიმაგრების შენახვის წესი

1. გააჩერეთ მოტორი და მოხსენით აკუმულატორი ტელესკოპურ ელექტრულ ძელს.
2. მოხსენით ბურქის საკრეკი მიმაგრება ტელესკოპურ ელექტრულ ძელს.
3. გაწმინდეთ ბურქის საკრეკი მიმაგრება ყველა უცხო ნარჩენისგან.
4. შეინახეთ ის ზავშვებისთვის მიუწვდომელ ადგილას.
5. მოაცილეთ კოროზიის გამომწვევი ნივთიერებები, როგორცაა სოფლის მეურნეობაში გამოყენებული ქიმიკატები და მოყინვის საწინააღმდეგო ტექნიკური მარილი.

### დანის შეცვლა

**⚠ გაფრთხილება:** ყოველთვის ჩაიცვით ხელთათმანები როდესაც ეპყრობით დანას; ეს კომპონენტი ძალიან მჭრელია და უსწორმასწორო.

1. გათიშეთ ხელსაწყო და მოხსენით აკუმულატორი.
2. მოატრიალეთ დანა ჰორიზონტალურ პოზიციაში, დარწმუნდით რომ აწყობილი დანა ემთხვევა ბურქის საკრეკის ტარს ადვილი დამონტაჟებისთვის (ნახ. M).

M-1	ხრახნი 1# (მოკლე ხრახნები)	M-6	მილისი
-----	-------------------------------	-----	--------

M-2	ქვედა ხუფი	M-7	ხრახნი 2# (გრძელი ხრახნები)
M-3	საყრდენი ფირფიტა 3#	M-8	საყრდენი ფირფიტა 2#
M-4	მაკავშირებელი ბერკეტი	M-9	დანის კომპლექტი
M-5	საყრდენი ფირფიტა 1#	M-10	ექსცენტრიკული ბლოკი

3. ქსნის გასაღების საშუალებით (არ არის კომპლექტში) მოუშვით 6 ხრახნი 1# (მოკლე ხრახნები) ქვედა ხუფიდან და მოხსენით ისინი.
4. გააგრძელეთ 2 ხრახნის 2# (გრძელი ხრახნების) მოშვება, რათა მოხსნათ საყრდენი ფირფიტა 1# & 2#, ასევე 2 მილისი. 2 მილისი დანის კომპლექტში ცალ-ცალკე განლაგებულია ორ მომრგვალებული მართკუთხედის ფორმის ჭრილში.
5. მოხსენით საყრდენი ფირფიტა 3#.
6. ფრთხილად მოხსენით მაკავშირებელი ბერკეტი დანას.
7. მოხსენით დანის კომპლექტი ხელსაწყოს და დარწმუნდით რომ ექსცენტრიკული ბლოკის პოზიცია რჩება უცვლელი.
8. ახალ დანის კომპლექტზე მდებარე გაუსწორეთ შიდა ამოზნექილობა მაკავშირებელ ბერკეტზე მდებარე ნასვრეტს, რათა დაამაგროთ ახალი დანის კომპლექტი შესაბამის ადგილას.
9. მოთავსეთ ორი მილისი ცალ-ცალკე ორ მომრგვალებული მართკუთხედის ფორმის ჭრილში.
10. ჯერ დაამაგრეთ საყრდენი ფირფიტა 1# და შემდეგ საყრდენი ფირფიტა 2#.
11. გაუსწორეთ დანაზე, მილისებსა და საყრდენ ფირფიტებზე არსებული ნასვრეტები გადაცემთა კოლოფზე ხრახნებისთვის არსებულ ნასვრეტებს. დაამაგრეთ 2 გრძელი ხრახნი გასწორებულ ნასვრეტებში და მჭიდროდ დაუჭირეთ.
12. მცირედ გამომძრავეთ ზედა დანა წინ და უკან, რათა შეამოწმოთ რომ თავისუფლად შეუძლია მოძრაობა. თუ ეს ასე არ არის, ხელახლა ააწყვეთ დანები, სანამ ზედა დანას თავისფლად მოძრაობა არ შეეძლება.
13. დაამონტაჟეთ მაკავშირებელი ბერკეტი.
14. გაუსწორეთ საყრდენი ფირფიტა 3#-ის ნასვრეტი ექსცენტრიკული ბლოკზე მდებარე ამოზნექილობას, რათა

KA

მოთავსოთ ფირფიტა ზუსტად ცენტრში, ორივე კიდის პარალელურად.

15. მორგეთ ქვედა ხუფი გადაცემათა კოლოფს და დაუჭირეთ 6 მოკლე ხრახნით.

### დანის შეგება (ნახ. N)

უკეთესი მუშაობისთვისა და დანის ტექნიკური ვადის გასაზრდელად შეზეთეთ ბუჩქის საკრეჭის დანა დაჟანგვის საწინააღმდეგო ზეთით ყოველ ჯერზე გამოყენების შემდეგ. ბოლომდე არ აავსოთ ზეთით ნასვრეტი.

1. მოხსენით ზეთის ნასვრეტის ხრახნი გადაცემათა კოლოფს ქანჩის გასაღების (არ არს კომპლექტში) საშუალებით.

**N-1** ზეთის ნასვრეტის ხრახნი

2. შეიყვანეთ 5 გ ზეთი გადაცემათა კოლოფში არსებულ შესაზეთ ნასვრეტში.
3. მჭიდროდ დაუჭირეთ ხრახნი პროცესის დასრულების შემდეგ.

### გადაცემათა მექანიზმის შეგების წესი

ხელსაწყოს ოპტიმალური მუშაობისთვის და ხანგრძლივი მოხმარებისთვის შეზეთეთ ბუჩქის საკრეჭი მიმაგრების გადაცემათა მექანიზმი სპეციალური საპოხით ყოველი 100 საათიანი ექსპლუატაციის პერიოდის შემდეგ.

საპოხი უნდა აკმაყოფილებდეს შემდეგ მოთხოვნებს:

- NLGI კონუსის შკალის სირბილე: NLGI-2 ტიპის;
- შესქელების ტიპი: პოლიურეა;
- რეკომენდებული საექსპლუატაციო ტემპერატურის დიაპაზონი -40°C-დან 180°C-მდე;
- ზემოხსენებულის გარდა, საპოხი უნდა იყოს დეფორმაციული სტაბილურობის მქონე, განსაკუთრებული წნევის მქონე მქონე, შესანიშნავი ცვეთის საწინააღმდეგო თვისებებითა და სრულყოფილი დაჟანგვის საწინააღმდეგო თვისებებით.

მიჰყევით ქვევით მოყვანილ ინსტრუქციას, რათა შეავსოთ საპოხი ზეთი:

1. გათიშეთ ხელსაწყო და მოხსენით აკუმულატორი.
2. გამოიყენეთ ქანჩის გასაღები (არ არის კომპლექტში), რათა მოუშვათ 3 მოკლე ხრახნი (O-1) მოტორის ხუფზე (O-2)

და შემდეგ მოხსენით მოტორის ხუფი ხელსაწყოს (ნახ. O).

O-1	მოკლე ხრახნი	O-5	შუასადები
O-2	მოტორის ხუფი	O-6	გადაცემათა კოლოფი
O-3	მოკლე ხრახნი	O-7	პლანეტარული კბილანები
O-4	მოტორი		

3. მოუშვით 3 მოკლე ხრახნი (O-3) მოტორიდან და შემდეგ მოხსენით მოტორი და შუასადები.
4. გამოიყენეთ საპოხის პისტოლეტი (არ არის კომპლექტში), რათა შეიყვანოთ 5 გ ოდენობის საპოხი გადაცემათა კოლოფში მდებარე 3 ზედა პლანეტარული კბილანის (O-7) ცენტრში.

**შენიშვნა:** დარწმუნდით რომ გადაცემათა კოლოფის მიდამოში მდებარე სხვა ნაწილების მდებარეობა რჩება უცვლელი საპოხის შეყვანის პროცესში.

5. ხელახლა ააწყეთ შუასადები და მოტორი 3 მოკლე ხრახნის (O-3) საგულდაგულოდ დაჭერით.
6. ხელახლა ააწყეთ მოტორის ხუფი 3 მოკლე ხრახნის (O-1) დაჭერით.
7. ჩართეთ ხელსაწყო, რათა დარწმუნდეთ მის ნორმალურ მუშაობაში. თუ ეს ასე არაა, ხელახლა ააწყეთ იგი ზევით მოცემული ინსტრუქციების მიდევნებით.

**შენიშვნა:** მოტორის ხუფის მოხსნის შემდეგ, გაასუფთავეთ მოტორი მის გარშემო მდებარე ნარჩენი ნახერხისგან.

### გარემოს დაცვა



არ მოახდინოთ ელექტრული მოწყობილობის, დამტენის და აკუმულატორის / მისი ბატარეების მოთავსება საყოფაცხოვრებო ნაგავში!

**KA**

## გაუმართაობის დიაგნოსტიკა

პრობლემა	მიზეზი	გადაჭრის გზა
ბუჩქის საკრეჭი არ მუშაობს.	<ul style="list-style-type: none"> <li>საკრეჭსა და აკუმულატორს შორის არ არის ელექტრული კონტაქტი.</li> <li>აკუმულატორის ბლოკი დაცლილია.</li> <li>აკუმულატორის ან ხელსაწყოს ტემპერატურა დასაშვებზე მაღალია</li> <li>დანა გაჭედებულია.</li> </ul>	<ul style="list-style-type: none"> <li>მოხსენით აკუმულატორი, შეამოწმეთ კონტაქტები და კვლავ მოარგეთ იგი უკან.</li> <li>დატენეთ აკუმულატორი.</li> <li>აცალეთ აკუმულატორს ან ელექტრულ ძელს გაგრილება 67°C-ს ქვევით.</li> <li>მოხსენით აკუმულატორი ხელსაწყოს. ფრთხილად მოაცალეთ გაჭედული საგანი, შემდეგ უკან მიაერთეთ აკუმულატორი და ხელახლა ჩართეთ ხელსაწყო.</li> </ul>
გადაჭარბებული ვიბრაცია ან ხმაური.	<ul style="list-style-type: none"> <li>მშრალი ან დაჟანგული დანები.</li> <li>დანები ან მათი საყრდენი მოღუნულია.</li> <li>მოღუნული ან დაზიანებული კბილები.</li> <li>მოშვებული დანის ჭანჭიკები.</li> </ul>	<ul style="list-style-type: none"> <li>შეზეთეთ დანები.</li> <li>შეცვალეთ ახალი დანით ან საყრდენით, მიჰყევით სექციას „დანის შეცვლა“ ამ მომხმარებლის ინსტრუქციაში ან მიმართეთ EGO-ს სერვის ცენტრს შესაცვლელად.</li> <li>შეცვალეთ ახალი დანით, მიჰყევით სექციას „დანის შეცვლა“ ამ მომხმარებლის ინსტრუქციაში ან მიმართეთ EGO-ს სერვის ცენტრს შესაცვლელად.</li> <li>მოუჭირეთ დანის ჭანჭიკები. ქანჩის გასაღების (კომპლექტში არ შედის) გამოყენებით მოატრიალეთ ჭანჭიკი საათის ისრის მიმართულებით მოსაჭერად.</li> </ul>

## გარანტია

### EGO-ს გარანტიის მომსახურების წესი

KA

გთხოვთ ეწვიოთ ვებ-გვერდს [egopowerplus.com](http://egopowerplus.com), რათა მიიღოთ EGO-ს საგარანტიო მომსახურების სრული დადგენილებები და პირობები.



## PROČITAJTE SVA UPUTSTVA!



### PROČITAJTE PRIRUČNIK ZA RUKOVAOCA

**! ORezidualni rizik!** Osobe sa elektronskim uređajima, poput pejsmejкера, treba da konsultuju svog lekara (svoje lekare) pre upotrebe ovog proizvoda. Rukovanje električnom opremom u neposrednoj blizini srčanog pejsmejкера moglo bi da izazove smetnje ili otkazivanje pejsmejкера.

**! UPOZORENJE:** Da bi se osigurala sigurnost i pouzdanost, sve popravke i zamene treba da radi kvalifikovani servisni tehničar.

### SIGURNOSNI SIMBOL

Svrha sigurnosnih simbola je da vam skrenu pažnju na moguće opasnosti. Sigurnosni simboli i objašnjenja uz njih zaslužuju vašu pognu pažnju i shvatanje. Simboli upozorenja, sami po sebi, ne eliminišu nikakve opasnosti. Uputstva i upozorenja koja oni daju nisu zamena za odgovarajuće mere sprečavanja nezgoda.

**! UPOZORENJE:** Obavezno pročitajte i shvatite sva sigurnosna uputstva u ovom Priručniku za rukovaoca, obuhvatajući i sve simbole sigurnosnih upozorenja poput „OPASNOST“, „UPOZORENJE“ i „OPREZ“ pre korišćenja ovog alata. Nepridržavanje svih dolenađenih uputstava može da dovede do strujnog udara, požara i/ili ozbiljne telesne povrede.

### ZNAČENJE SIMBOLA

**! SIMBOL SIGURNOSNOG UPOZORENJA:** Ukazuje na **OPASNOST, UPOZORENJE, ILI OPREZ**, može se koristiti zajedno sa drugim simbolima ili piktogramima.



**UPOZORENJE:** Rukovanje svakim električnim alatom može da dovede do izbacivanja stranih tela ka očima, što može da dovede do ozbiljnog oštećenja očiju. Pre započinjanja rada sa električnim alatom, uvek stavite sigurnosne naočare sa bočnim štيتnicima ili po potrebi masku za celo lice. Preporučujemo sigurnosnu masku Wide Vision za upotrebu preko naočara ili standardnih sigurnosnih naočara sa bočnim štيتnicima.

### SIGURNOSNA UPUTSTVA

Ova stranica prikazuje i opisuje sigurnosne simbole koji mogu da se pojave na ovom proizvodu. Pročitajte, shvatite i sledite sva uputstva na mašini pre no što pokušate da je sklopite i da rukujete njom.

	Simbol upozorenja	Označava potencijalnu opasnost od telesnih povreda.
	Pročitajte priručnik za rukovaoca	Radi smanjenja opasnosti od povreda, korisnik treba da pročita priručnik za rukovaoca.
	Održavajte dovoljnu udaljenost od električnih strujnih vodova.	Radi izbegavanja strujnog udara, nemojte da radite u opsegu od 15 m od nadzemnih električnih vodova. Kontakt sa strujnim vodovima ili upotreba u blizini strujnih vodova može da prouzrokuje teške povrede ili strujni udar sa smrtnim ishodom.
	Buka	Zagarantovani nivo zvučne snage. Emisija buke u okruženju u skladu je sa Direktivom Evropske unije.
	Oznaka CE	Ovaj proizvod je u skladu sa primenljivim Direktivama EU.
	WEEE	Otpadni električni proizvodi ne smeju da se odlažu sa otpadom iz domaćinstva. Odnosite ih u ovlašćeni centar za reciklažu.
	Držite šake i stopala dalje od alata za sečenje.	Nemojte nikada pokušavati da rukujete električnim alatom jednom rukom. Gubitak kontrole nad električnim alatom može da rezultira teškim ili smrtonosnim povredama. Radi smanjenja opasnosti od posekotina, držite ruke i stopala dalje od alata za sečenje. Nemojte nikada da pričvršćujete pokretni alat za sečenje rukom ili drugim delom tela

	Nosite zaštitu za oči i glavu.	Kada rukujete ovim proizvodom, uvek nosite zaštitu za oči i glavu.
IPX5	IP simbol	Zaštita od prodiranja vode, stepen 5
V	Volt	Napon
mm	Milimetar	Dužina ili veličina
cm	Centimetar	Dužina ili veličina
kg	Kilogram	Masa
	Jednosmerna struja	Vrsta ili karakteristike struje

## SIGURNOSNA UPOZORENJA ZA TRIMER ZA ŽIVICU

- **Držite sve delove tela dalje od noža.** Kada se noževi kreću, nemojte da uklanjate odsečeni materijal ili nemojte da držite materijal za sečenje. Kada čistite zaglavljani materijal, uverite se da je prekidač u isključenom položaju. Trenutak nepažnje tokom rada sa trimenom za živicu može da rezultira teškim telesnim povredama.
- **Trimer za živicu nosite za ručku zaustavljenog noža.** Kada transportujete ili skladištite trimer za živicu, uvek stavite navlaku za nož. Pravilnim rukovanjem trimenom za živicu smanjiće se moguće telesne povrede od noževa.
- **Kada transportujete ili skladištite trimer za živicu, uvek stavite navlaku za nož.** Pravilnim rukovanjem trimenom za živicu smanjiće se opasnost od telesnih povreda od noževa.
- **Kada čistite zaglavljani materijal ili servisirate jedinicu, uverite se da su svi prekidači za napajanje isključeni i da je komplet baterija izvađen ili odvojen.** Neočekivano pokretanje trimera za živicu tokom čišćenja zaglavljene materijala ili servisiranja može da rezultira teškim telesnim povredama.
- **Kada čistite zaglavljani materijal ili servisirate jedinicu, uverite se da su svi prekidači za napajanje isključeni i da je mehanizam za završavanje u završenom položaju.** Neočekivano pokretanje trimera za živicu tokom čišćenja zaglavljene materijala ili servisiranja može da rezultira teškim telesnim povredama.

- **Držite trimer za živicu samo za izolovane površine ručke jer nož može da dodirne skrivene kablove.** Ako noževi dodirnu kabl koji provodi struju, postoji opasnost da izloženi metalni delovi trimera za živicu isto provode struju, što za rukovaoca može da predstavlja opasnost od strujnog udara.
- **Držite sve strujne kablove i kablove dalje od područja sečenja.** Strujni kablovi i kablovi mogu da budu sakriveni u živicama ili grmlju i nož ih može nehotečno preseći.
- **Nemojte da upotrebljavate trimer za živicu u lošim vremenskim uslovima, posebno kada postoji opasnost od grmljavine.** Time ćete smanjiti opasnost od udara munje.

## DODATNA SIGURNOSNA UPUTSTVA ZA TRIMER ZA ŽIVICU VEĆEG DOMAŠAJA

- **Radi smanjenja rizika od strujnog udara, trimer za živicu većeg domašaja nemojte nikada da upotrebljavate u blizini električnih strujnih vodova.** Kontakt sa strujnim vodovima ili upotreba u blizini strujnih vodova može da prouzrokuje teške povrede ili strujni udar sa smrtnim ishodom.
- **Trimerom za živicu većeg domašaja uvek rukujte obema rukama.** Trimer za živicu većeg domašaja držite obema rukama da izbegnete gubitak kontrole.
- **Kada trimenom za živicu većeg domašaja rukujete iznad glave, uvek upotrebljavajte zaštitu za glavu.** Ostaci koji padaju mogu da prouzrokuju teške telesne povrede.
- **Pre rukovanja proverite da li u živici ima stranih predmeta, npr. žičane ograde i skrivene kablovi.**
- **Držite električni alat samo za izolovane površine ručke.**
- Trimer za živicu je predviđen da ga rukovalac upotrebljava na nivou tla, a ne na merdevinama ili drugoj nestabilnoj podlozi.
- Upotrebljavajte samo komplet baterija i punjače navedene na sl. A2.

## SAČUVAJTE OVO UPUTSTVO.

**DODATNE POSEBNE SIGURNOSNE PROPISE MOŽETE PRONAĆI U PRILUČNIKU ZA RUKOVAOCA ODGOVARAJUĆEG DODATKA.**

## SPECIFIKACIJE

Dužina noža	510 mm
Kapacitet sečenja	26 mm
Preporučena radna temperatura	0°C-40°C

Preporučena temperatura skladištenja		-20°C-70°C
Masa		2,67 kg
Izmereni nivo zvučne snage $L_{WA}$		93,75 dB(A) K=1,7 dB(A)
Nivo zvučnog pritiska na uhu rukovaoca $L_{PA}$		83 dB(A) K=3 dB(A)
Zagarantovani nivo zvučne snage $L_{WA}$ (izmereno u skladu sa Direktivom 2000/14/EZ)		95 dB(A)
Procena vibracija $a_n$	Prednja drška	1,3 m/s <sup>2</sup> K = 1,5 m/s <sup>2</sup>
	Zadnja drška	1,5 m/s <sup>2</sup> K = 1,5 m/s <sup>2</sup>

- Gore navedeni parametri su ispitani i izmereni za uređaj opremljen pogonskom šipkom PPX1000.
- Deklarisana ukupna vrednost vibracije je izmerena u skladu sa standardnim metodom testiranja i može se koristiti za upoređivanje jednog alata sa drugim;
- Deklarisana ukupna vrednost vibracije može se koristiti i u preliminarnoj proceni izlaganja.

**NAPOMENA:** Emisija vibracija tokom stvarne upotrebe električnog alata može da se razlikuje od deklarisanе vrednosti u kojoj se alat koristi. Da bi se rukovalac zaštitio, korisnik bi trebalo da nosi rukavice i štitičnike za uši u stvarnim uslovima korišćenja.

## OPIS

### UPOZNAJTE SVOJ DODATAK TRIMERA ZA ŽIVICU (sl. A1)

1. Zadnji umetak
2. Prednji umetak
3. Kućište motora
4. Navlaka za nož
5. Nož

### POPIS PAKOVANJA (A2)

#### SKLAPANJE

**⚠ UPOZORENJE:** Ako su neki delovi oštećeni ili nedostaju, nemojte koristiti ovaj proizvod dok delovi ne budu zamenjeni. Korišćenje ovog proizvoda sa oštećenim ili nedostajućim delovima može dovesti do ozbiljnih telesnih povreda.

**⚠ UPOZORENJE:** Kada postavljate delove, obavljate radove podešavanja, čišćenja ili kada ne upotrebljavate

proizvod, iz proizvoda uvek izvadite komplet baterija.

#### NAMEŠTANJE UGLA GLAVE ZA SEČENJE

Kada se priključak trimera za živicu izvadi iz pakovanja, preklopljen je u svom položaju za skladištenje (sl. B). Ugao savijanja i radialna rotacija glave za sečenje mogu se nezavisno namestiti. Pre rada namestite glavu za sečenje u odgovarajući položaj.

#### Nameštanje ugla savijanja

Postoji šest radnih položaja. Ugao noža za sečenje može da se namesti od -68° do 42° (sl. C).

1. Za rotaciju ugla sečenja u željeni položaj, povucite prednji umetak prema nazad, a zatim čvrsto pridržite poklopac motora.

C-1	Prednji umetak
C-2	Zadnji umetak

2. Posle dostizanja željenog ugla, gurnite umetak prema napred da blokirate položaj glave za sečenje.

#### Nameštanje radialne rotacije

Postoje dva položaja vertikalnog sečenja (sl. D). Položaj vertikalnog sečenja može da se namesti levo ili desno za 90°.

1. Za rotaciju noža u željeni položaj, povucite zadnji umetak prema nazad, a zatim čvrsto pridržite poklopac motora.
2. Posle dostizanja željenog ugla, gurnite umetak prema napred da blokirate položaj glave za sečenje.

**⚠ UPOZORENJE!** Radi smanjenja opasnosti od povreda, izvadite bateriju pre postupka nameštanja i nameštanja obavljajte samo kada se noževi zaustave. Prilikom postupka nameštanja nemojte nikada dodirivati noževe.

**⚠ UPOZORENJE!** Kućište prenosnika od livene legure je vrelo. Površinu kućišta prenosnika od livene legure nemojte nikada da dodirujete ako ne nosite zaštitne rukavice.

### POSTAVLJANJE/SKIDANJE DODATKA TRIMERA ZA ŽIVICU NA TELESKOPSKU POGONSKU ŠIPKU/SA TELESKOPSKOJ POGONSKOJ ŠIPKI (sl. E)

Ovaj dodatak trimera za živicu je predviđen za upotrebu sa teleskopskom pogonskom šipkom PPX1000 proizvođača EGO.

Za postavljanje trimera za živicu na pogonsku šipku pogledajte odeljak "POSTAVLJANJE DODATKA NA TELESKOPSKU POGONSKU ŠIPKU" u priručniku za rukovaoca za teleskopsku pogonsku šipku PPX1000.

SR

Za skidanje trimera za živicu sa pogonske šipke pogledajte odeljak "SKIDANJE DODATKA SA TELESKOPSKE POGONSKE ŠIPKE" u priručniku za rukovaoca za teleskopsku pogonsku šipku PPX1000.

## POSTAVLJANJE ZAŠTITE ZA VRH (opcija)

1. Za uklanjanje kratkog zavrtnja, ravne podloške, umetka i navrtke na kraju noža za sečenje upotrebite inbus ključ (nije u opsegu isporuke). Ravnu podlošku, umetak i navrtku sačuvajte za ponovno postavljanje (sl. F).

F-1	Navrtka	F-3	Ravna podloška
F-2	Umetak	F-4	Kratki zavrtnji

2. Poravnajte zaštitu za vrh sa izbočinom na nožu za sečenje i postavite je na njeno mesto. Pričvrstite je sa novim dugačkim zavrtnjem i navrtkom, kao i sačuvanom podloškom, umetkom i navrtkom (sl. G).

G-1	Navrtka	G-4	Umetak
G-2	Zaštita za vrh	G-5	Ravna podloška
G-3	Navrtka	G-6	Dugački zavrtnaj

## RUKOVANJE

**⚠ OPASNOST!** Nemojte nikada da sečete u blizini strujnih vodova, električnih kablova ili drugih električnih izvora. Ako se noževi za sečenje zaglave u strujni kabl ili vod, **NEMOJTE DA DODIRUJETE NOŽ ILI ALUMINIJUMSKU ŠIPKU! ONI MOGU DA POSTANU ELEKTRIČNO PROVODLJIVI I VEOMA OPASNI.** Dodatak trimera za živicu nastavite da držite za izolovanu ručku ili ga na bezbedan način položite na tlo i dalje od sebe. Pre pokušaja oslobađanja noža iz strujnog voda ili kabla, isključite strujno napajanje oštećenog voda ili kabla. Kontakt sa nožem, drugim provodljivim delovima dodatka trimera za živicu ili električnim kablovima ili vodovima pod naponom može da rezultira smrću zbog strujnog udara ili teških povreda.

**⚠ UPOZORENJE!** Nemojte dozvoliti da vas poznavanje ovog proizvoda učini nemarnim. Imajte na umu da je za nanošenje teških povreda dovoljan samo delić sekunde nepažnje.

**⚠ UPOZORENJE!** Uvek nosite zaštitu za oči. Nepostupanje u skladu sa tim može da rezultira odbacivanjem predmeta u oči i drugim mogućim teškim povredama.

**⚠ UPOZORENJE!** Nemojte da upotrebljavate dodatke ili pribor koje nije preporučio proizvođač EGO™. Upotreba nepreporučenih dodataka ili pribora može da rezultira teškim telesnim povredama.

## PRIMENE

Ovaj proizvod možete da upotrebljavate za orezivanje živica, žbunja, šiblja, grmlja i sličnog materijala prečnika grana manjeg od 26 mm.

## UPOTREBA TRIMERA ZA ŽIVICU SA TELESKOPSKOM POGONSKOM ŠIPKOM

**⚠ UPOZORENJE!** Obucite se propisno da smanjite rizik od povreda za vreme rukovanja alatom. Nemojte nositi široku odeću ili nakit. Nosite zaštitu za oči i uši/sluh. Nosite duge radne pantalone, cizme i rukavice. Nemojte nositi kratke pantalone, sandale ili biti bosonogi.

## PRIPREMA ZA SEČENJE

1. Namestite glavu za sečenje u željeni radni položaj.
2. Skinite navlaku za nož sa noža za sečenje.
3. Radi bezbednog i boljeg rada, stavite ramenu traku preko ramena. Namestite ramenu traku u položaj ugodan za rad. Za pričvršćivanje ramene trake na pogonsku šipku pratite uputstva u odeljku "POSTAVLJANJE RAMENE TRAKE" u priručniku za rukovaoca za PPX1000.

**⚠ UPOZORENJE!** Ramena traka je i mehanizam za brzo otpuštanje u opasnim situacijama. U slučaju nužde ramenu traku odmah skinite sa ramena, bez obzira na način na koji je stavljena.

**⚠ UPOZORENJE!** Trimerom za živicu većeg domašaja uvek rukujte obema rukama. Trimer za živicu većeg domašaja držite obema rukama da izbegnete gubitak kontrole. Pratite uputstva u odeljku "DRŽANJE TELESKOPSKE POGONSKE ŠIPKE" u priručniku za rukovaoca za PPX1000.

## RADNE TEHNIKE

### Horizontalno sečenje (sa glavom za sečenje pod uglom)

Secite blizu tla iz stojećeg položaja, npr. za orezivanje niskog šiblja.

Pomerajte glavu za sečenje desno i levo dok se krećete duž živice - upotrebljavajte obe strane noževa i nemojte da spuštate nož za sečenje na tlo (sl. H).

Horizontalno sečenje (sa ravnom glavom za sečenje)

Držite glavu za sečenje pod uglom od 0° uz polagano horizontalno pomeranje trimera za živicu. Pomerajte glavu za sečenje u luku prema spoljnim stranama živice tako da se odsečeni materijal može počistiti sa tla (sl. I).

Preporuka U ovom radnom položaju orezujte živice koje su niže od visine grudi.

Vertikalno sečenje (sa glavom za sečenje pod uglom)

Sečenje bez stajanja direktno pored živice, npr. cvetna leja između rukovaoca i živice.

U ovom položaju sečenja za bolju kontrolu nad trimenom za živicu preporučujemo da ga priključite sa glavom za sečenje u položaju bočnog sečenja.

Pomerajte glavu za sečenje prema gore i dole u luku uz pomeranje duž živice – upotrebljavajte obe strane noža za sečenje (sl. J).

#### Vertikalno sečenje (sa ravnim nožem za sečenje)

Veoma dugačak domašaj bez potrebe za drugim pomoćnim sredstvima. Pomerajte glavu za sečenje prema gore i dole u luku uz pomeranje duž živice – upotrebljavajte obe strane noža za sečenje (sl. K).

#### Sečenje iznad glave (sa glavom za sečenje pod uglom)

Držite trimen za živicu u vertikalnom položaju i pomerajte ih u luku da maksimalno iskoristite njegov domašaj (sl. L1 i L2). Kao pomoćno sredstvo za orezivanje veoma visoke živice pogodna je produžna šipka.

**⚠ UPOZORENJE!** Svaki radni položaj iznad visine glave umara. Radi smanjenja opasnosti od nesreća, u ovim položajima radite samo kratko vreme. Nameštite ugao podesive glave za sečenje na maksimalnu postavku tako da se alat može držati u nižem, manje umarajućem položaju (sa ramenom trakom) i istovremeno uz adekvatan domašaj.

#### POKRETANJE/ZAUSTAVLJANJE ALATA

Pogledajte odeljak "POKRETANJE/ZAUSTAVLJANJE TELESKOPSKE POGONSKE ŠIPKE" u priručniku za rukovaoca za pogonsku šipku PPX1000.

## ODRŽAVANJE

**⚠ UPOZORENJE!** Kada obavljate radove servisiranja, upotrebljavajte samo identične zamenske delove. Redovno obavljajte pregled i održavanje uređaja. Radi bezbednosti i pouzdanosti, sve popravke treba da obavlja kvalifikovani servisni tehničar.

**⚠ UPOZORENJE!** Pre pregleda, čišćenja ili servisiranja jedinice, zaustavite motor, sačekajte da se svi pokretni delovi zaustave i izvadite komplet baterija. Zanemarivanje ovih uputstava može da rezultira teškim povredama ili materijalnom štetom.

**⚠ NAPOMENA!** Pre svake upotrebe pregledajte celi proizvod na postojanje oštećenih, nedostajućih ili otpuštenih delova, kao što su zavrtnjevi, navrtke, osovinice,

kapice, itd. Čvrsto pritegnite sve pričvrstne elemente i kapice i nemojte da upotrebljavate ovaj proizvod dok ne postavite sve delove koji nedostaju ili dok ne zamenite sve oštećene delove. Obratite se korisničkoj službi ili kvalifikovanom servisnom tehničaru.

#### OPŠTE ODRŽAVANJE

Kada čistite plastične delove, izbegavajte upotrebu rastvora. Većina plastika može se oštetiti različitim vrstama komercijalnih rastvora i njihovom upotrebom. Za uklanjanje prljavštine, prašine, ulja, masti i sl. upotrebljavajte čiste krpe.

#### ČIŠĆENJE DODATKA TRIMERA ZA ŽIVICU

1. Zaustavite motor i izvadite komplet baterija.
2. Nečistoću i naslage sa dodatka trimera za živicu očistite vlažnom krpom i blagim deterdžentom.

**NAPOMENA!** Za čišćenje plastičnog kućišta ili drške nemojte da upotrebljavate jake deterdžente jer mogu ih oštetiti neka aromatična ulja, kao što su ulje bora i limuna.

#### SKLADIŠTENJE DODATKA TRIMERA ZA ŽIVICU

1. Zaustavite motor i izvadite komplet baterija iz teleskopske pogonske šipke.
2. Sa teleskopske pogonske šipke skinite dodatak trimera za živicu.
3. Sa dodatka trimera za živicu očistite sav strani materijal.
4. Dodatak trimera za živicu skladištite na mestu koje je nedostupno deci.
5. Dodatak trimera za živicu držite dalje od korozivnih sredstava, kao što su hemijska sredstva za bašte i soli za odmrzavanje.

#### ZAMENA NOŽA

**⚠ UPOZORENJE!** Kada rukujete nožem, uvek nosite rukavice. Te komponente su veoma oštre i mogu da imaju grube ivice.

1. Isključite alat i izvadite komplet baterija.
2. Nameštite nož u horizontalni položaj i vodite računa da sklop noža bude u ravni sa osovinom trimera za živicu radi jednostavnog postavljanja (sl. M).

M-1	Zavrtnaj br. 1 (kratki zavrtnjevi)	M-6	Umetak
M-2	Donji poklopac	M-7	Zavrtnaj br. 2 (dugački zavrtnjevi)
M-3	Potporna pločica br. 3	M-8	Potporna pločica br. 2
M-4	Spojna polugica	M-9	Sklop noža
M-5	Potporna pločica br. 1	M-10	Ekscentrični blok

SR

3. Za otpuštanje i uklanjanje 6 zavrtnjeva br. 1 (kratki zavrtnjevi) u donjem poklopcu upotrebite inbus ključ (nije u opsegu isporuke).
4. Nastavite sa otpuštanjem 2 zavrtnjeva br. 2 (dugački zavrtnjevi) da uklonite potpornu pločicu br. 1 i 2, kao i 2 umetka. 2 umetka se zasebno nalaze u dvama zaobljenim pravougaonim žlebovima u sklopu noža.
5. Uklonite potpornu pločicu br. 3.
6. Pažljivo uklonite spojnu polugicu sa noža.
7. Uklonite sklop noža sa alata i uverite se da je položaj sklopa ekscentričnog bloka ostao nepromenjen.
8. Za postavljanje novog sklopa noža u ležište, poravnajte unutrašnju izbočinu na novom sklopu noža sa otvorom u spojnoj polugici.
9. Dva umetka zasebno umetnite u dva zaobljena pravougaona žleba.
10. Postavite potpornu pločicu br. 1, a zatim potpornu pločicu br. 2.
11. Unutrašnje otvore na nožu, umetke i otvore na potpornim pločicama držite u ravni sa otvorima za zavrtnjeve na kućištu prenosnika. U poravnate otvore stavite 2 dugačka zavrtnja i čvrsto ih pritegnite.
12. Polako pomerajte gornji nož nazad i napred da proverite može li slobodno da se pomera. Ako ne može, noževe postavljajte sve dok se gornji nož ne bude mogao slobodno pomerati.
13. Postavite spojnu polugicu.
14. Poravnajte otvor na potpomoj pločici br. 3 sa izbočinom na ekscentričnom bloku da potporna pločicu postavite u ležište i vodite računa da pločica bude tačno postavljena u centar, paralelno u odnosu na obe ivice.
15. Postavite donji poklopac na kućište prenosnika i pričvrstite ga sa 6 kratkih zavrtnjeva.

## PODMAZIVANJE NOŽA (sl. N)

Za najbolji rad i duži radni vek noža, nož trimera za živicu podmazujte uljem za zaštitu od rđe posle svake upotrebe. OTVOR ZA ULJE NEMOJTE POTPUNO DA NAPUNITE ULJEM.

1. Inbus ključem (nije u opsegu isporuke) uklonite zavrtnj otvora za podmazivanje na kućištu prenosnika.

N-1 Zavrtnj otvora za podmazivanje

2. Ubrizgajte 5 g masti kroz otvor za podmazivanje na kućištu prenosnika.
3. Pritegnite zavrtnj kada završite.

## PODMAZIVANJE POGONSKOG ZUPČANIKA

Za najbolji rad i duži radni vek, pogonski zupčanik dodatka

trimera za živicu podmazujte specijalnom mašću posle svakih 100 radnih sati.

Mast mora da ispunjava sledeće zahteve:

- NLGI gradacija penetracije: NLGI-2;
- Vrsta ugušćivača: poliurea;
- Preporučeni opseg radne temperature: -40°C do 180°C;
- Osim prethodno navedenog, mast treba da bude smično stabilna, izuzetnih karakteristika pritiska, izvrsnog svojstva protiv habanja i savršene oksidativne stabilnosti.

Za punjenje sa mašću pratite korake u nastavku:

1. Isključite alat i izvadite komplet baterija.
2. Za otpuštanje i uklanjane 3 kratkih zavrtnjeva (O-1) na poklopcu motora (O-2) upotrebite inbus ključ (nije u opsegu isporuke), a zatim skinite poklopac motora (sl. O).

O-1	Kratki zavrtnj	O-5	Podloška
O-2	Poklopac motora	O-6	Kućište prenosnika
O-3	Kratki zavrtnj	O-7	Planetarni zupčanici
O-4	Motor		

3. Otpustite 3 kratka zavrtnja (O-3) na motoru, a zatim skinite motor i podlošku.
4. Upotrebite pištolj za mast (nije u opsegu isporuke) za ubrizgavanje masti od 5 g u sredini 3 gornja planetarna zupčanika (O-7) u kućište prenosnika.

**NAPOMENA!** Vodite računa da položaj drugih delova pored kućišta prenosnika ostane nepromenjen tokom ubrizgavanja.

5. Ponovo postavite podlošku i motor pritezanjem 3 kratkih zavrtnjeva (O-3).
6. Ponovo postavite poklopac motora pritezanjem 3 kratkih zavrtnjeva (O-1).
7. Pokrenite alat da proverite može li da radi normalno. Ako to nije slučaj, obavite ponovno postavljanje prema prethodno navedenim koracima.

**NAPOMENA!** Posle uklanjanja poklopca motora, očistite piljevinu oko motora.

## Zaštita životne sredine



Električnu opremu, punjač baterije i baterije/punjive baterije nemojte da odlažete u kućni otpad!

## REŠAVANJE PROBLEMA

PROBLEM	UZROK	REŠENJE
Trimer za živicu ne radi.	<ul style="list-style-type: none"> <li>■ Nema električnog kontakta između trimera i baterije.</li> <li>■ Komplet baterija je ispražnjen.</li> <li>■ Aktivirala se zaštita od previsoke temperature kompleta baterija ili alata.</li> <li>■ Nož se zaglavio.</li> </ul>	<ul style="list-style-type: none"> <li>■ Izvadite bateriju, proverite kontakte i ponovo stavite komplet baterija.</li> <li>■ Napunite komplet baterija.</li> <li>■ Sačekajte da se komplet baterija ili pogonska šipka ohlade na temperaturu ispod 67 °C.</li> <li>■ Izvadite komplet baterija iz alata. Pažljivo uklonite prepreku, a zatim ponovo stavite bateriju i pokrenite alat.</li> </ul>
Prevelike vibracije ili buka.	<ul style="list-style-type: none"> <li>■ Suvi ili korodirani noževi.</li> <li>■ Noževi su savijeni ili je držač noževa savijen.</li> <li>■ Savijeni ili oštećeni zupci.</li> <li>■ Otpušteni zavrtnjevi noža.</li> </ul>	<ul style="list-style-type: none"> <li>■ Podmažite noževe.</li> <li>■ Zamenite sa novim nožem ili držačem noža prema uputstvima u odeljku "ZAMENA NOŽA" u ovom priručniku ili za zamenu se obratite servisnom centru proizvođača EGO.</li> <li>■ Zamenite sa novim nožem prema uputstvima u odeljku "ZAMENA NOŽA" u ovom priručniku ili za zamenu se obratite servisnom centru proizvođača EGO.</li> <li>■ Pritegnite zavrtnjeve noža. Pomoću inbus ključa (nije u opsegu isporuke) pritegnite zavrtnj okretanjem u smeru kretanja kazaljki na satu.</li> </ul>

## GARANCIJA

### EGO POLITIKA GARANCIJE

Posetite veb-lokaciju [egopowerplus.com](http://egopowerplus.com) za potpune uslove i odredbe EGO politike garancije.

## PROČITAJTE UPUTSTVO U CIJELOSTI!



### PROČITAJTE KORISNIČKI PRIRUČNIK.

**⚠️ Preostale opasnosti!** Osobe s elektroničkim uređajima poput srčanih elektrostimulatora prije upotrebe ovog proizvoda trebaju se posavjetovati sa svojim ljekarom. Rad električne opreme u neposrednoj blizini srčanih elektrostimulatora može uzrokovati smetnju ili kvar srčanog elektrostimulatora.

**⚠️ UPOZORENJE!** Radi osiguranja sigurnosti i pouzdanosti, sve popravke i zamjene treba obavljati kvalifikovani servisni tehničar.

## SIGURNOSNI SIMBOL

Svrha sigurnosnih simbola je skretanje pažnje na moguće opasnosti. Sigurnosni simboli i njihova objašnjenja zahtijevaju vašu potpunu pažnju i razumijevanje. Sami simboli upozorenja sami po sebi ne isključuju opasnost. Uputstva i upozorenja koja pružaju nisu zamjena za propisne mjere za prevenciju nesreća.

**⚠️ UPOZORENJE!** Prije upotrebe ovog alata pobrinite se da sva sigurnosna uputstva u ovom korisničkom priručniku, uključujući sve sigurnosne simbole kao što su "OPASNOST", "UPOZORENJE" i "OPREZ" pročitate s razumijevanjem. Zanemarivanje svih uputstava navedenih u nastavku može rezultirati strujnim udarom, požarom i/ili teškim tjelesnim povredama.

## ZNAČENJE SIMBOLA

**⚠️ SIGURNOSNI SIMBOL UPOZORENJA:** ukazuje na **OPASNOST, UPOZORENJE ILI OPREZ** i može se upotrebljavati u kombinaciji s drugim simbolima ili piktogramima.



**UPOZORENJE!** Rukovanje električnim alatima može rezultirati odbacivanjem stranih predmeta u oči, što opet može izazvati teška oštećenja očiju. Prije početka rukovanja električnim alatom, uvijek nosite zatvorene zaštitne naočale ili zaštitne naočale s bočnim štitnicima, a prema potrebi i štitnik za cijelo lice. Preporučujemo nošenje sigurnosne maske proizvođača Wide Vision preko naočala, ili nošenje standardnih zaštitnih naočala s bočnim štitnicima.

## SIGURNOSNA UPUTSTVA

Na ovoj stranici slikovno su prikazani i objašnjeni sigurnosni simboli koji se mogu pojaviti na ovom proizvodu. Prije pokušaja sastavljanja i rukovanja, s razumijevanjem pročitajte sva uputstva na proizvodu i pridržavajte ih se.

	Simbol upozorenja	Ukazuje na potencijalnu opasnost od tjelesnih povreda.
	Pročitajte korisnički priručnik.	Radi smanjenja opasnosti od povreda, korisnik treba pročitati korisnički priručnik.
	Održavajte dovoljnu udaljenost od električnih strujnih vodova.	Radi izbjegavanja strujnog udara, nemojte raditi u opsegu od 15 m od nadzemnih električnih vodova. Kontakt sa strujnim vodovima ili upotreba u blizini strujnih vodova može uzrokovati teške povrede ili strujni udar sa smrtnim ishodom.
	Buka	Zagarantovani nivo zvučne snage. Emisija buke u okruženju u skladu je s Direktivom Evropske unije.
	Oznaka CE	Ovaj proizvod je u skladu s primjenjivim Direktivama EU.
	WEEE	Otpadni električni proizvodi ne smiju se odlagati s otpadom iz domaćinstva. Odnosite ih u ovlašteni centar za reciklažu.
	Ruke i stopala držite podalje od reznog alata.	Nemojte nikada pokušavati da rukujete električnim alatom jednom rukom. Gubitak kontrole nad električnim alatom može rezultirati teškim ili smrtonosnim povredama. Radi smanjenja opasnosti od posjekotina, držite ruke i stopala podalje od reznog alata. Nemojte nikada pričvršćivati pokretni rezni alat rukom ili drugim dijelom tijela.



	Nosite zaštitu za oči i glavu.	Kada rukujete ovim proizvodom, uvijek nosite zaštitu za oči i glavu.
IPX5	IP simbol	Zaštita od prodiranja vode, stepen 5
V	Volt	Napon
mm	Milimetar	Dužina ili dimenzija
cm	Centimetar	Dužina ili dimenzija
kg	Kilogram	Masa
	Istosmjerna struja	Vrsta ili karakteristike struje

### SIGURNOSNA UPOZORENJA ZA MAKAZE ZA ŽIVICU

- Sve dijelove tijela držite podalje od reznog noža. Kada se noževi kreću, nemojte uklanjati odrezani materijal ili nemojte držati materijal koji je potrebno rezati. Kada čistite zaglavljene materijal, uvjerite se da je prekidač u isključenom položaju. Trenutak nepažnje tokom rada s makazama za živicu može rezultirati teškim tjelesnim povredama.
- Makaze za živicu nosite za rukohvat zaustavljenog reznog noža. Kada transportujete ili skladištite makaze za živicu, uvijek stavite navlaku za rezni uređaj. Propisnim rukovanjem makazama za živicu smanjit će se moguće tjelesne povrede od reznih noževa.
- Kada transportujete ili skladištite makaze za živicu, uvijek stavite navlaku za nož. Propisnim rukovanjem makazama za živicu smanjit će se rizik od nastanka tjelesnih povreda od noževa.
- Kada čistite zaglavljene materijal ili servisirate jedinicu, uvjerite se da su svi prekidači za napajanje isključeni i da je komplet baterija izvađen ili odspojen. Neočekivano pokretanje makaza za živicu tokom čišćenja zaglavljene materijala ili servisiranja može rezultirati teškim tjelesnim povredama.
- Kada čistite zaglavljene materijal ili servisirate jedinicu, uvjerite se da su svi prekidači za napajanje isključeni i da je mehanizam za završavanje u završenom položaju. Neočekivano pokretanje makaza za živicu tokom čišćenja zaglavljene materijala ili servisiranja može rezultirati teškim tjelesnim povredama.

- Makaze za živicu držite samo za izolirane površine rukohvata jer nož može dotaknuti skrivene kabele. Ako noževi dotaknu kabel koji provodi struju, postoji opasnost da izloženi metalni dijelovi makaza za živicu isto provode struju, što za rukovaoca može predstavljati opasnost od strujnog udara.

- Sve strujne kabele i kabele držite podalje od područja rezanja. Strujni kabeli i kabele mogu biti skriveni u živicama ili gmlju i nož ih može nehotično prerezati.

- Nemojte upotrebljavati makaze za živicu u lošim vremenskim uslovima, posebno kada postoji opasnost od grmljavine. Time ćete smanjiti opasnost od udara groma.

### DODATNA SIGURNOSNA UPUTSTVA ZA MAKAZE ZA ŽIVICU VEĆEG DOSEGA

- Radi smanjenja rizika od strujnog udara, makaze za živicu većeg dosega nemojte nikada upotrebljavati u blizini električnih strujnih vodova. Kontakt sa strujnim vodovima ili upotreba u blizini strujnih vodova može uzrokovati teške povrede ili strujni udar sa smrtnim ishodom.

- Makazama za živicu većeg dosega uvijek rukujte objema rukama. Makaze za živicu većeg dosega držite objema rukama kako biste izbjegli gubitak kontrole.

- Kada makazama za živicu većeg dosega rukujete iznad glave, uvijek upotrebljavajte zaštitu za glavu. Ostaci koji padaju mogu uzrokovati teške tjelesne povrede.

- Prije rukovanja provjerite ima li u živici stranih predmeta, npr. žičane ograde i skriveni kabeli.

- Električni alat držite samo za izolirane površine rukohvata.

- Makaze za živicu su predviđene da ih rukovalac upotrebljava na nivou tla, a ne na ljestvama ili drugoj nestabilnoj podlozi.

- Proizvod upotrebljavajte samo s kompletima baterija i punjačima koji su navedeni na sl. A2.

### SAČUVAJTE OVA UPUTSTVA!

DODATNE POSEBNE SIGURNOSNE PROPISE MOŽETE PRONAĆI U KORISNIČKOM PRIRUČNIKU PRIKLJUČKA KOJI UPOTREBLJAVATE.

### TEHNIČKI PODACI

Dužina noža	510 mm
Kapacitet rezanja	26 mm
Preporučena radna temperatura	0°C-40°C

Preporučena temperatura skladištenja	-20°C-70°C	
Masa	2,67 kg	
Izmjereni nivo zvučne snage $L_{WA}$	93,75 dB(A) K=1,7 dB(A)	
Nivo zvučnog pritiska kod uha rukovaoca $L_{PA}$	83 dB(A) K=3 dB(A)	
Zagarantovani nivo zvučne snage $L_{WA}$ (izmjereno u skladu s Direktivom 2000/14/EZ)	95 dB(A)	
Procjena vibracija $a_h$	Prednji rukohvat	1,3 m/s <sup>2</sup> K = 1,5 m/s <sup>2</sup>
	Stražnji rukohvat	1,5 m/s <sup>2</sup> K = 1,5 m/s <sup>2</sup>

- Gore navedeni parametri ispitani su i izmjereni za uređaj opremljen pogonskom šipkom PPX1000.
- Deklarisane ukupne vrijednosti vibracija izmjerene su u skladu sa standardnom metodom ispitivanja i mogu se primjenjivati za poređenje jednog alata s drugim.
- Deklarisane ukupne vrijednosti vibracija mogu se primjenjivati i u preliminarnoj procjeni izloženosti.

**NAPOMENA!** Emisija vibracija tokom aktuelne upotrebe električnog alata može se razlikovati od deklarisanе vrijednosti u kojoj se alat upotrebljavao; Korisnik radi zaštitе treba nositi rukavice i štitnike za uši u aktuelnim uslovima upotrebe.

## OPIS

### UPOZNAJTE SVOJ PRIKLJUČAK MAKAZA ZA ŽIVICU (sl. A1)

1. Stražnja čahura
2. Prednja čahura
3. KUĆIŠTE MOTORA
4. Navlaka za nož
5. Nož

### LISTA PAKOVANJA (A2)

### SASTAVLJANJE

**⚠ UPOZORENJE!** Ako je bilo koji dio oštećen ili ako nedostaje, nemojte upotrebljavati ovaj proizvod dok ne zamijenite dijelove. Upotreba ovog proizvoda oštećenih dijelova ili dijelova koji nedostaju može rezultirati teškim tjelesnim povredama.

**⚠ UPOZORENJE!** Kada postavljate dijelove, obavljate radove podešavanja, čišćenja ili kada ne upotrebljavate proizvod, komplet baterija uvijek izvadite iz proizvoda.

### PODEŠAVANJE UGLA REZNE GLAVE

Kada se priključak makaza za živicu izvadi iz pakovanja, preklopljen je u svom položaju za skladištenje (sl. B). Ugao savijanja i radijalno okretanje rezne glave mogu se nezavisno podesiti. Prije rada namjestite reznу glavu u odgovarajući položaj.

### Podešavanje ugla savijanja

Postoji šest radnih položaja. Ugao reznog noža može se podesiti od -68° do 42° (sl. C).

1. Za zakretanje ugla rezanja u željeni položaj, povucite prednju čahuru prema nazad, a zatim čvrsto pridržite poklopac motora.

C-1	Prednja čahura
C-2	Stražnja čahura

2. Nakon dostizanja željenog ugla gurnite čahuru prema naprijed da blokirate položaj rezne glave.

### Podešavanje radijalnog okretanja

Postoje dva položaja okomitog rezanja (sl. D). Položaj okomitog rezanja može se podesiti za 90° lijevo ili desno.

1. Za zakretanje noža u željeni položaj povucite stražnju čahuru prema nazad, a zatim čvrsto pridržite poklopac motora.
2. Nakon dostizanja željenog ugla gurnite čahuru prema naprijed da blokirate položaj rezne glave.

**⚠ UPOZORENJE!** Radi smanjenja opasnosti od povreda, izvadite bateriju prije postupka podešavanja i podešavanja obavljajte samo kada se noževi zaustave. Prilikom postupka podešavanja nemojte nikada dodirivati noževe.

**⚠ UPOZORENJE!** Kućište prijenosnika od lijevane legure je vruće. Površinu kućišta prijenosnika od lijevane legure nemojte nikada doticati ako ne nosite zaštitne rukavice.

### PRIKLJUČIVANJE/SKIDANJE PRIKLJUČKA MAKAZA ZA ŽIVICU NA TELESKOPSKU POGONSKU ŠIPKU/S TELESKOPSKЕ POGONSKЕ ŠIPKE (sl. E)

Ovaj priključak makaza za živicu predviđen je za upotrebu s teleskopskom pogonskom šipkom PPX1000 proizvođača EGO.

Za priključivanje makaza za živicu na pogonsku šipku pogledajte poglavlje **"POSTAVLJANJE PRIKLJUČKA NA TELESKOPSKU POGONSKU ŠIPKU"** u korisničkom priručniku teleskopske pogonske šipke PPX1000.

Za skidanje makaza za živicu s pogonske šipke pogledajte poglavlje **"SKIDANJE PRIKLJUČKA S TELESKOPSKE POGONSKE ŠIPKE"** u korisničkom priručniku teleskopske pogonske šipke PPX1000.

### POSTAVLJANJE ŠTITNIKA ZA VRH (opcija)

1. Za uklanjanje kratkog vijka, ravne podloške, čahure i matice na kraju reznog noža upotrijebite inbus ključ (nije u sadržaju isporuke). Ravnu podlošku, čahuru i maticu sačuvajte za ponovno postavljanje (sl. F).

F-1	Matica	F-3	Ravna podloška
F-2	Čahura	F-4	Kratki vijak

2. Poravnajte štitnik za vrh s izbočinom na reznom nožu i postavite ga na njegovo mjesto. Pričvrstite ga s novim dugačkim vijkom i maticom, kao i sačuvanom podloškom, čahurom i maticom (sl. G).

G-1	Matica	G-4	Čahura
G-2	Štitnik za vrh	G-5	Ravna podloška
G-3	Matica	G-6	Dugački vijak

### RAD

**⚠ OPASNOST!** Nemojte nikada rezati u blizini strujnih vodova, električnih kabela ili drugih električnih izvora. Ako se rezni noževi zaglave u strujni kabel ili vod, **NEMOJTE DODIRIVATI NOŽ ILI ALUMINIJSKU ŠIPKU! ONI MOGU POSTATI ELEKTRIČNO VODLJIVI I VRLO OPASNI.** Priključak makaza za živicu nastavite držati za izolirani rukohvat ili ga na siguran način položite na tlo i podalje od sebe. Prije pokušaja oslobađanja noža iz strujnog voda ili kabela isključite strujno napajanje oštećenog voda ili kabela. Kontakt s nožem, drugim vodljivim dijelovima priključka makaza za živicu ili električnim kabelema ili vodovima pod naponom može rezultirati smrću uslijed strujnog udara ili teških povredama.

**⚠ UPOZORENJE!** Nemojte dozvoliti da vas poznavanje ovog proizvoda učini nepažljivim. Imajte na umu da je za nanošenje teških povreda dovoljan samo djelić sekunde nepažnje.

**⚠ UPOZORENJE!** Uvijek nosite zaštitu za oči. Nepostupanje u skladu s tim može rezultirati odbacivanjem predmeta u oči i drugim mogućim teškim povredama.

**⚠ UPOZORENJE!** Nemojte upotrebljavati priključke ili pribor koje nije preporučio proizvođač EGO™. Upotreba nepreporučenih priključaka ili pribora može rezultirati teškim tjelesnim povredama.

### PRIMJENE

Ovaj proizvod možete upotrebljavati za šišanje živica, šiblja, šikare, grmova i sličnog materijala prečnika grana manjeg od 26 mm.

### UPOTREBA MAKAZA ZA ŽIVICU S TELESKOPSKOM POGONSKOM ŠIPKOM

**⚠ UPOZORENJE!** Obucite se propisno kako biste smanjili rizik od povreda tokom rukovanja alatom. Nemojte nositi široku odjeću ili nakit. Nosite zaštitu za oči i uši/sluh. Nosite robusne duge hlače, čizme i rukavice. Nemojte nositi kratke hlače, sandale ili biti bosonogi.

### PRIPREMA ZA REZANJE:

1. Namjestite reznu glavu u željeni radni položaj.
2. S reznog noža skinite navlaku za nož.
3. Radi sigurnog i boljeg rada stavite ramenu traku preko ramena. Podesite ramenu traku u položaj ugodan za rad. Za pričvršćivanje ramene trake na pogonsku šipku pratite uputstva u poglavlju **"POSTAVLJANJE RAMENE TRAKE"** u korisničkom priručniku PPX1000.

**⚠ UPOZORENJE!** Ramena traka je i mehanizam za brzo otpuštanje u opasnim situacijama. U slučaju nužde, ramenu traku odmah skinite s ramena, bez obzira na način na koji je stavljena.

**⚠ UPOZORENJE!** Makazama za živicu većeg dosega uvijek rukujte objema rukama. Makaze za živicu većeg dosega držite objema rukama kako biste izbjegli gubitak kontrole. Pratite uputstva u poglavlju **"DRŽANJE TELESKOPSKE POGONSKE ŠIPKE"** u korisničkom priručniku PPX1000.

### RADNE TEHNIKE

#### Vodoravno rezanje (s reznom glavom pod uglom)

Režite u blizini tla iz stojećeg položaja, npr. za šišanje niskog šiblja.

Pomjerajte reznu glavu desno i lijevo kako se pomjerate duž živice - pritom upotrebljavajte obje strane noževa i nemojte spuštati rezni nož na tlo (sl. H).

Vodoravno rezanje (s ravnom reznom glavom)

Držite reznu glavu pod uglom od 0° uz polaganu vodoravno pomjeranje makaza za živicu. Pomjerajte reznu glavu u luku prema vanjskim stranama živice tako se odrezani komadi mogu počistiti s tla (sl. I).

**Preporuka:** u ovom radnom položaju šišajte živice niže od visine prsa.

Rezanje bez stajanja direktno pored živice, npr. gredica cvijeća između rukovaoca i živice.

U ovom položaju rezanja za bolju kontrolu nad makazama za živicu preporučujemo da ih priključite s reznom glavom u položaju za bočno rezanje.

Pomjerajte reznu glavu prema gore i dolje u luku uz pomjeranje duž živice – upotrebljavajte obje strane reznog noža (sl. J).

### Okomito rezanje (s ravnom reznom glavom)

Vrlo dugačak doseg bez potrebe za drugim pomoćnim sredstvima. Pomjerajte reznu glavu prema gore i dolje u luku uz pomjeranje duž živice – upotrebljavajte obje strane reznog noža (sl. K).

### Rezanje iznad glave (s reznom glavom pod uglom)

Držite makaza za živicu u okomitom položaju i pomjerajte ih u luku da maksimalno iskoristite njihov doseg (sl. L1 i L2). Za ekstremno visoku živicu kao pomoćno sredstvo za šišanje prikladna je produžna šipka.

**⚠ UPOZORENJE!** Svaki radni položaj iznad visine glave umara. Radi smanjenja opasnosti od nesreća, u ovim položajima radite samo kratko vrijeme. Podesite ugao podesive rezne glave na maksimalnu postavku tako da se alat može držati u nižem, manje umarajućem položaju (s ramenom trakom) i istovremeno uz adekvatan doseg.

### POKRETANJE/ZAUSTAVLJANJE ALATA

Pogledajte poglavlje "POKRETANJE/ZAUSTAVLJANJE TELESKOPSKE POGONSKE ŠIPKE" u korisničkom priručniku pogonske šipke PPX1000.

## ODRŽAVANJE

**⚠ UPOZORENJE!** Kada obavljate radove servisiranja, upotrebljavajte samo identične zamjenske dijelove. Redovno obavljajte pregled i održavanje uređaja. Radi osiguranja sigurnosti i pouzdanosti, sve popravke treba obavljati kvalifikovani servisni tehničar.

**⚠ UPOZORENJE!** Prije pregleda, čišćenja ili servisiranja jedinice, zaustavite motor, pričekajte da se svi pokretni dijelovi zaustave i izvadite komplet baterija. Nepostupanje prema ovim uputstvima može rezultirati teškim povredama ili materijalnom štetom.

**⚠ NAPOMENA!** Prije svake upotrebe pregledajte cijeli proizvod na postojanje oštećenih, nedostajućih ili otpuštenih dijelova, kao što su vijci, matice, osovinice,

kapice, itd. Dobro pritegnite sve pričvršne elemente i kapice i nemojte upotrebljavati ovaj proizvod dok ne postavite sve dijelove koji nedostaju ili zamijenite sve oštećene dijelove. Obratite se korisničkoj službi ili kvalifikovanom servisnom tehničaru.

### OSNOVNO ODRŽAVANJE

Kada čistite plastične dijelove, izbjegavajte upotrebljavati rastvore. Mnoge plastike mogu se oštetiti različitim vrstama komercijalnih rastvora i mogu se oštetiti njihovom upotrebom. Za uklanjanje prljavštine, prašine, ulja, masti i sl. upotrebljavajte čiste krpe.

### ČIŠĆENJE PRIKLJUČKA MAKAZA ZA ŽIVICU

1. Zaustavite motor i izvadite komplet baterija.
2. Nečistoću i naslage s priključka makaza za živicu očistite vlažnom krpom i blagim deterdžentom.

**NAPOMENA!** Za čišćenje plastičnog kućišta ili rukohvata nemojte upotrebljavati jake deterdžente jer mogu ih oštetiti neka aromatična ulja, kao što su borovo i limunovo ulje.

### SKLADIŠTENJE PRIKLJUČKA MAKAZA ZA ŽIVICU

1. Zaustavite motor i izvadite komplet baterija iz teleskopske pogonske šipke.
2. S teleskopske pogonske šipke skinite priključak makaza za živicu.
3. S priključka makaza za živicu očistite sav strani materijal.
4. Priključak makaza za živicu skladištite na mjestu nedostupnom djeci.
5. Priključak makaza za živicu držite podalje od korozivnih sredstava kao što su vrtna hemijska sredstva i soli za odmrzavanje.

### ZAMJENA NOŽA

**⚠ UPOZORENJE!** Kada rukujete nožem, uvijek nosite rukavice. Te komponente su vrlo oštre i mogu imati neravnine.

1. Isključite alat i izvadite komplet baterija.
2. Namjestite nož u vodoravni položaj vodeći računa da sklop noža bude u ravni s osovinom makaza za živicu radi jednostavnog postavljanja (sl. M).

M-1	Vijak br. 1 (kratki vijci)	M-6	Čahura
M-2	Donji poklopac	M-7	Vijak br. 2 (dugački vijci)
M-3	Potporna pločica br. 3	M-8	Potporna pločica br. 2
M-4	Spojna polučica	M-9	Sklop noža
M-5	Potporna pločica br. 1	M-10	Ekscentrični blok

3. Za otpuštanje i uklanjanje 6 vijaka br. 1 (kratki vijci) u donjem poklopcu upotrijebite inbus ključ (nije u sadržaju isporuke).
4. Nastavite s otpuštanjem 2 vijaka br. 2 (dugački vijci) kako biste uklonili potpornu pločicu br. 1 i 2, kao i 2 čahure. 2 čahure se zasebno nalaze u dvama zaobljenim pravougaonim utorima u sklopu noža.
5. Uklonite potpornu pločicu br. 3.
6. Pažljivo uklonite spojnu polugicu s noža.
7. Uklonite sklop noža s alata i uvjerite se da je položaj sklopa ekscentričnog bloka ostao nepromijenjen.
8. Za postavljanje novog sklopa noža u ležište poravnajte unutrašnju izbočinu na novom sklopu noža s otvorom u spojnoj polugici.
9. Dvije čahure zasebno umetnite u dva zaobljena pravougaona utora.
10. Postavite potpornu pločicu br. 1, a zatim potpornu pločicu br. 2.
11. Unutrašnje otvore na nožu, čahure i otvore na potpornim pločicama držite u ravni s otvorima za vijke na kućištu prijenosnika. U poravnane otvore stavite 2 dugačka vijka i čvrsto ih pritegnite.
12. Polako pomičite gornji nož nazad i naprijed da provjerite može li se slobodno pomjerati. Ako to nije slučaj, noževe postavljajte sve dok se gornji nož ne bude mogao slobodno pomjerati.
13. Postavite spojnu polugicu.
14. Poravnajte otvor na potpornoj pločici br. 3 s izbočinom na ekscentričnom bloku da potporna pločicu postavite u ležište, vodeći računa da pločica bude tačno postavljena u centar, paralelno u odnosu na oba ruba.
15. Postavite donji poklopac na kućište prijenosnika i pričvrstite ga sa 6 kratkih vijaka.

### PODMAZIVANJE NOŽA (sl. N)

Za najbolji rad i duži radni vijek noža, nož makaza za živicu podmazujte uljem za zaštitu od hrđe nakon svake upotrebe. OTVOR ZA ULJE NEMOJTE U CIJELOSTI NAPUNITI ULJEM.

1. Inbus ključem (nije u sadržaju isporuke) uklonite vijak otvora za podmazivanje na kućištu prijenosnika.

N-1 Vijak otvora za podmazivanje

2. Ubrzajte 5 g masti kroz otvor za podmazivanje na kućištu prijenosnika.
3. Pritegnite vijak kada završite.

### PODMAZIVANJE POGONSKOG ZUPČANIKA

Za najbolji rad i duži radni vijek, pogonski zupčanik priključka makaza za živicu podmazujte specijalnom mašću nakon svakih 100 radnih sati.

Mast mora ispunjavati sljedeće zahtjeve:

- NLGI gradacija penetracije: NLGI-2;
- Vrsta ugušćivača: poliurea;
- Preporučeni opseg radne temperature: -40°C do 180°C;
- Osim gore navedenog, mast bi trebala biti smično stabilna, izuzetnih karakteristika pritiska, izvrsnog svojstva protiv habanja i savršene oksidacijske stabilnosti.

Za punjenje s mašću pratite korake u nastavku:

1. Isključite alat i izvadite komplet baterija.
2. Za otpuštanje i uklanjanje 3 kratkih vijaka (O-1) na poklopcu motora (O-2) upotrijebite inbus ključ (nije u sadržaju isporuke), a zatim skinite poklopac motora (sl. O).

O-1	Kratki vijak	O-5	Podloška
O-2	Poklopac motora	O-6	Kućište prijenosnika
O-3	Kratki vijak	O-7	Planetarni zupčanici
O-4	Motor		

3. Otpustite 3 kratka vijka (O-3) na motoru, a zatim skinite motor i podlošku.
4. Upotrijebite pištolj za mast (nije u opsegu isporuke) za ubrizgavanje masti od 5 g u sredini 3 gornja planetarna zupčanika (O-7) u kućište prijenosnika.

**NAPOMENA!** Vodite računa da položaj drugih dijelova pored kućišta prijenosnika ostane nepromijenjen tokom ubrizgavanja.

5. Ponovo postavite podlošku i motor pritezanjem 3 kratkih vijaka (O-3).
6. Ponovo postavite poklopac motora pritezanjem 3 kratkih vijaka (O-1).
7. Pokrenite alat da provjerite da li može raditi normalno. Ako to nije slučaj, obavite ponovno postavljanje prema prethodno navedenim koracima.

**NAPOMENA!** Nakon uklanjanja poklopca motora očistite piljevinu oko motora.

### Zaštita životne sredine



Električnu opremu, punjač baterije i baterije/punjive baterije ne odlazite u kućni otpad!

BS

**OTKLANJANJE PROBLEMA**

PROBLEM	UZROK	RJEŠENJE
Makaze za živicu ne rade.	<ul style="list-style-type: none"><li>■ Nema električnog kontakta između makaza i baterije.</li><li>■ Komplet baterija je ispražnjen.</li><li>■ Aktivirala se zaštita od previsoke temperature kompleta baterija ili alata.</li><li>■ Nož se zaglavio.</li></ul>	<ul style="list-style-type: none"><li>■ Izvadite bateriju, provjerite kontakte i ponovo stavite komplet baterija.</li><li>■ Napunite komplet baterija.</li><li>■ Pričekajte da se komplet baterija ili pogonska šipka ohlade na temperaturu ispod 67 °C.</li><li>■ Izvadite komplet baterija iz alata. Pažljivo uklonite zapreku, a zatim ponovo stavite bateriju i pokrenite alat.</li></ul>
Prevelike vibracije ili buka.	<ul style="list-style-type: none"><li>■ Suhu ili korodirani noževi.</li><li>■ Noževi su savijeni ili je držač noževa savijen.</li><li>■ Savijeni ili oštećeni zupci.</li><li>■ Otpušteni vijci noža.</li></ul>	<ul style="list-style-type: none"><li>■ Podmažite noževe.</li><li>■ Zamijenite s novim nožem ili držačem noža prema uputama u poglavlju "ZAMJENA NOŽA" u ovom priručniku ili za zamjenu se obratite servisnom centru proizvođača EGO.</li><li>■ Zamijenite s novim nožem prema uputama u poglavlju "ZAMJENA NOŽA" u ovom priručniku ili za zamjenu se obratite servisnom centru proizvođača EGO.</li><li>■ Pritegnite vijke noža. Pomoću inbus ključa (nije u sadržaju isporuke) pritegnite vijak okretanjem u smjeru kretanja kazaljki na satu.</li></ul>

**GARANCIJA****POLITIKA GARANCIJE PROIZVOĐAČA EGO**

Za sve odredbe i uslove politike garancije proizvođača EGO posjetite internetsku stranicu [egopowerplus.com](http://egopowerplus.com).

## קראו את כל ההוראות!



### קראו את מדריך ההוראות

**⚠ סיכון שיורי!** אנשים בעלי מכשירים חשמליים כגון קוצבי לב, צרכים להתייעץ עם הרופא(ים) המטפל(ים) בהם לפני השימוש במכשיר זה. הפעלה של ציוד חשמלי בקרבת קוצבי לב עלולה להפריע לפעולת הקוצב או אפילו להפסיק את פעולתו.

**⚠ אזהרה:** על מנת להבטיח בטיחות ואמינות, יש לבצע את כל התיקונים וההחלפות בעזרת טכנאי שירות מוסמך.

### סמל בטיחות

מטרתם של סימני הבטיחות היא למשוך את תשומת לבכם אל סכנות אפשריות. סימני הבטיחות וההסברים שלהם דורשים את תשומת הלב וההבנה המלאות שלכם. סימני הבטיחות בעצמם לא ימנעו כל סכנה. ההוראות והאזהרות אותן הם מספקים לא תחלפנה נקיטת אמצעי מניעה מתאימים בעת תאונת.

**⚠ אזהרה:** וודאו שאתם קוראים ומבינים את כל הוראות הבטיחות המופיעות במדריך זה למשתמש, כולל את כל סימני התרעות הבטיחות כגון „סכנה“, „אזהרה“ ו-„הירות“ לפני השימוש במכשיר זה. אי מילוי אחר כל ההוראות המופיעות למטה יכול לגרום אחריו שוק חשמלי, שרפה ו/או פציעות חמורות.

### פירוש הסימן

**⚠ סימן התראת בטיחות:** מצוין סכנה, אזהרה, או זהירות, יכול להיות מלווה בסימנים או תמונות אחרים.

**⚠ אזהרה:** הפעלה של כלי עבודה חשמליים עלולה לגרום לעצמים זרים להיזרק אל תוך העיניים, דבר העלול לגרום לנזק חמור לעיניים. לפני ההפעלה של כלי עבודה חשמלי, ענדו תמיד משקפי מגן או משקפי בטיחות עם הגנה צדדית, ובעת הצורך, הגנה עבור כל הפנים. אנו ממליצים על שימוש במסכת בטיחות רחבה מעל למשקפי המגן או על שימוש במשקפי בטיחות עם הגנה צדדית.

### הוראות בטיחות

עמוד זה מצוין ומתאר את סימני הבטיחות העשויים להופיע על גבי המוצר. קראו, הבינו ועקבו אחר ההוראות המופיעות על המכשיר לפני כל ניסיון להרכיב ולהשתמש בו.

	התראת בטיחות	מצוין סכנת פגיעה אישית פוטנציאלית.
	קראו את המדריך למשתמש	על מנת להפחית את הסיכון לפציעות, על המשתמש לקרוא את המדריך למשתמש.
	שמרו על מרחק מספק מקווי החשמל	למניעת התחשמלות, אל תפעילו במרחק קטן מ-15 מטר מקווי חשמל עליים. מגע בקווי חשמל או עבודה בקרבתם עלולה לגרום לפגיעה חמורה או להלם חשמלי שיגרם למוות.
	רעש	רמת עוצמת קול מובטחת. פליטת רעש אל הסביבה בהתאם לתקנת האיחוד האירופי.
	CE	מוצר זה הנו בהתאם לתקנות ה-CE הרלוונטיות.
	WEEE	אין להשליך מוצרים חשמליים ביחד עם המכשיר למרכז מחזור מוסמך.
	שימרו על הידיים והרגליים הרחק מכלי החיתוך	לעולם אל תנסו להפעיל את הכלי החשמלי ביד אחת. עשוי להיגרם אבדן שליטה בכלי החשמלי הגורם לפגיעה חמורה או קטלנית. כדי להפחית את הסיכון לפציעות של חתכים, הרחיקו את הידיים והרגליים מכלי החיתוך. לעולם אל תחברו כלי חיתוך נע באמצעות ידכם או כל איבר אחר בגופכם.
	לבשו מגני עיניים וראש	השתמשו תמיד במגני עיניים וראש בעת הפעלת מוצר זה.

HE

IPX5	סמל IP	הגנה מפני כניסה של מים בדרגה 5
V	וולט	מתח
mm	מילימטר	אורך או גודל
cm	סנטימטר	אורך או גודל
kg	קילוגרם	משקל
==	זרם ישיר	סוג או מאפיין מתח

## ⚠ אזהרות בטיחות עבור גוזם הגדרות

- שימרו על כל חלקי הגוף הרחק מלהב החיתוך. אל תסירו חומר חיתוך או תחזיקו חומרים לחיתוך כאשר הלהבים נעים. וודאו שהמתג כבוי בעת ניקוי חומרים תקועים. רגע אחד של חוסר תשומת לב בעת הפעלת גוזם הגדרות עלול לגרום לפציעה אישית חמורה.
- נישאו את גוזם הגדרות באמצעו הידית כאשר הלהב איננו פועל. בעת הובלה או אחסון של גוזם הגדרות, התקינו תמיד את מסכה התקן החיתוך. טיפול נכון בגוזם הגדרות יפחית את הסיכון לפציעות אישיות מלהבי החיתוך.
- בעת הובלה או אחסון של גוזם הגדרות, התאימו תמיד את מסכה הלהב. נשיאה נכונה של גוזם הגדרות תפחית את הסיכון לפציעות אישיות מן הלהבים.
- בעת ניקיון של חומרים תקועים או בעת עבודות שירות על היחידה, וודאו שכל מתגי ההפעלה נמצאים במצב כבוי ושמארז הסוללה מוסר או מנוטרל. הנעה בלתי צפויה של גוזם הגדרות בעת פינוי חומרים תקועים או ביצוע עבודות שירות עלול לגרום לפציעה אישית חמורה.
- בעת פינוי של חומרים תקועים או בעת עבודות שירות על היחידה, וודאו שכל מתגי ההפעלה נמצאים במצב כבוי ושכפתור הנעילה נמצא במצב נעול. הנעה בלתי צפויה של גוזם הגדרות בעת פינוי חומרים תקועים או ביצוע עבודות שירות עלול לגרום לפציעה אישית חמורה.
- החזיקו את גוזם הגדרות בעזרת משטחי האחיזה המבודדים בלבד, בגלל שהלהב עלול לפגוע בכבלים חבויים. להבים הבאים במגע עם כבל "חי" עלולים להפוך ל"חיים" חלקי מתכת של גוזם הגדרות ועלולים לגרום שוק חשמלי למפעיל.
- שימרו על כל חוטי המתח והכבלים הרחק מאזור החיתוך. חוטי מתח או כבלים עלולים להיות חבויים בתוך גדרות או שיחים והלהב יכול לחתוך אותם בטעות. הימנעו מן השימוש בגוזם הגדרות בתנאי מזג אוויר רע, במיוחד כאשר ישנו סיכון לברק. הדבר מפחית את הסיכון להיפגע על ידי ברק.
- ⚠ הוראות בטיחות נוספות עבור גוזמי גדרות בעלי גישה מורחבת

- למניעת הסיכון להתחשמלות, אין להשתמש בגוזם הגדרות בעל הגישה המורחבת ליד קווי חשמל. מגע בקווי חשמל או עבודה בקרבתם עלולה לגרום לפציעה חמורה או להלם חשמלי שיגרמו למוות.
- תמיד עשו שימוש בשתי הידיים בעת הפעלת גוזם הגדרות בעל הגישה המורחבת. החזיקו את גוזם הגדרות בעל הגישה המורחבת בשתי הידיים בכדי למנוע אבדן שליטה.
- תמיד עשו שימוש במגני עיניים וראש בעת הפעלת גוזם הגדרות בעל הגישה המורחבת מעל לראש. חלקי לכלוך נופלים עלולים לגרום לפציעות אישיות חמורות.
- בדקו את הגדר לאיתור עצמים זרים לפני ההפעלה, כגון גדרות תיל וכבלים חבויים.
- החזיקו את המכשיר החשמלי בעזרת משטחי המאחז המבודדים בלבד.
- גוזם הגדרות מיועד לשימוש על ידי המפעיל בגובה הקרקע ולא על גבי סולמות או כל תמיכה לא יציבה אחרת
- השתמשו רק במארחי הסוללה והמטענים הרשומים באיור A2
- שימרו על הוראות אלה
- ניתן למצוא כללי בטיחות ספציפיים נוספים במדריך למפעיל של האביזר המתאים.

## מפרטים

510 מ"מ	אורך הלהב
26 מ"מ	יכולת חיתוך
0°C-40°C	טמפרטורת הפעלה מומלצת
-20°C-70°C	טמפרטורת אחסון מומלצת
2.67 ק"ג	משקל
93.75 dB(A) K = 1.7 dB(A)	רמת עוצמת קול נמדדת L <sub>WA</sub>
83 dB(A) K = 3 dB(A)	רמת לחץ קול באוזן המפעיל L <sub>PA</sub>
95 dB(A)	רמת עוצמת קול מובטחת L <sub>WA</sub> (נמדד בהתאם ל-EC/14/2000)
1.3 מ' /שנייה <sup>2</sup> 1.5=K	הערכת רטט a <sub>h</sub>
1.3 מ' /שנייה <sup>2</sup> 1.5=K	

- הפרמטרים לעיל נבדקים ונמדדים ביחד עם מוט חשמלי PPX1000.
- ערך הרטט הכללי המוצהר נמדד בהתאם לשיטת בדיקה סטנדרטית וניתן להשתמש בו על מנת להשוות ציוד אחד עם ציוד אחר;
- ניתן להשתמש בערך הרטט הכללי המוצהר בהערכה



ראשונית של חשיפה.

**הודעה:** פליטת הרטט בעת השימוש המעשי בכלי יכולה להיות שונה מן הערך המוצהר כאשר הכלי נמצא בשימוש; על מנת להגן על המפעיל, על המשתמש ללבוש כפפות ומגני אוזניים בעת השימוש למעשה.

## תיאור

### הכירו את אביזר גוזם הגדרות שלכם (איור A1)

1. תותב מסב אחורי
2. תותב מסב קדמי
3. תא מנוע
4. נדן הלהב
5. להב

### רשימת אריזה (A2)

#### הרכבה

**⚠ אזהרה:** אם ישנם חלקים ניזוקים או חסרים, אל תפעילו את המכשיר עד אשר חלקים אלו יוחלפו. שימוש במכשיר זה עם חלקים פגומים או חסרים עלול לגרום לפציעה אישית חמורה.

**⚠ אזהרה:** הסירו תמיד את מארז הסוללה מן המכשיר בעת הרכבת חלקים, ביצוע התאמות, ניקיון או כאשר המכשיר אינו נמצא בשימוש.

#### כוונן זווית ראש החיתוך

כאשר מוציאים את אביזר גוזם הגדרות מן האריזה, הוא יהיה מקופל עבור האחסון (איור B). ניתן לכוונן בנפרד את הסיבוב הרדיאלי ואת זווית המפרק של ראש החיתוך. כווננו את ראש החיתוך לזווית עבודה מתאימה לפני ההפעלה.

#### כוונן זווית המרפק

ישנן שש תנוחות עבודה אפשריות. את זווית ראש החיתוך ניתן לכוונן מ-68° אל 42° (איור C).

1. משכו לאחור את תותב המסב הקדמי ולאחר מכן החזיקו בחוזקה את מסכה המנוע בכדי לסובב את זווית החיתוך אל התנוחה המתאימה.

C-1	תותב מסב קדמי
C-2	תותב מסב אחורי

2. לאחר שהגעתם אל הזווית הרצויה, דחפו קדימה את תותב המסב בכדי לנעול את תנוחת ראש החיתוך.

#### כוונן הסיבוב הרדיאלי

- ישנן שתי תנוחות חינוך אנכיות (איור D). ניתן לכוונן אותו אל השמאל או הימין 90°.

1. משכו לאחור את תותב המסב האחורי ולאחר מכן החזיקו בחוזקה את מסכה המנוע בכדי לסובב את זווית החיתוך אל התנוחה המתאימה.

2. לאחר שהגעתם אל הזווית הרצויה, דחפו קדימה את תותב המסב בכדי לנעול את תנוחת ראש החיתוך.

**⚠ אזהרה:** על מנת להפחית את הסיכוי לפציעות, הסירו את הסוללה לפני ביצוע הכווננים ובצעו את הכווננים רק כאשר הלהבים אינם מסתובבים. לעולם אל תגעו בלהבים בזמן ביצוע כווננים.

**⚠ אזהרה:** יציקת הסגסוגת של תיבת ההילוכים חמה. לעולם אין לגעת במשטח יציקת הסגסוגת של תיבת ההילוכים ללא לבישה של כפפות מגן מתאימות.

חיבור/הסרה של אביזר גוזם הגדרות אל מוט המתח הטלסקופי (איור E)

אביזר גוזם גדרות זה מיועד לשימוש עם מוט מתח טלסקופי של EGO PPX1000.

עיינו בסעיף „חיבור אביזר למוט המתח הטלסקופי” במדריך למשתמש של מוט המתח הטלסקופי PPX1000 לחיבור גוזם הגדרות למוט המתח.

עיינו בסעיף „הסרת האביזר ממוט המתח הטלסקופי” במדריך למשתמש של מוט המתח הטלסקופי PPX1000 להסרת גוזם הגדרות ממוט המתח.

#### הרכבת מגן הקצה (אופציונלי)

1. השתמשו במפח משושה (לא כלול) כדי להוציא את הברית הקצר, הדסקית הפשוטה, התותב והאום בקצה הלהב החיתוך. שמרו על הדסקית הפשוטה, התותב והאום לחיבור מחדש (איור F).

F-1	אום	F-3	דסקית פשוטה
F-2	תותב	F-4	ברית קצר

2. יישרו את קצה המגן עם הבליטה על הלהב החיתוך והרכיבו אותו במקומו. אבטחו את הברית הארוך החדש והאום וכן את הדסקית, השיח והאום ששמרתם (איור G).

G-1	אום	G-4	תותב
G-2	מגן קצה	G-5	דסקית פשוטה
G-3	אום	G-6	ברית ארוך

## הפעלה

**⚠ סכנה:** לעולם אין להתוך ליד קווי חשמל, חוטי חשמל או מקורות חשמל אחרים. אם להבי החיתוך נתקעים בחוט או כבל חשמלי, אל תיגעו בלהב החיתוך או במוט האלומיניום! הם עלולים להפוך ל"חיים" ועלולים להיות מסוכנים מאד. המשיכו להחזיק את גוזם הגדרות בעזרת הידית המבודדת או הניחו אותו למטה ובמרחק ממכם בצורה בטוחה. נתקו את המתח מן החוט או הכבל

HE

הניזוקים לפני כל ניסיון לשחרר את הלהב מן החוט או הכבל. מגע עם הלהב, חלקים מוליכים אחרים של גוזם הגדרות או חוטי או קווי חשמל, "חיים" תגרום למוות מהתחשמלות או לפציעה חמורה.

**⚠ אזהרה:** אזהרה: אל תניחו לעובדה שאתם מכירים את המוצר להפוך אתכם לפחות זהירים. זכרו שחוסר זהירות של שבריר אחד של שנייה מספיק לגרום לפציעה אישית חמורה.

**⚠ אזהרה:** חבשו תמיד מגני עיניים. אם לא תעשו זאת עצמים עלולים להיזרק אל תוך העיניים שלכם ועלולות להיגרם פציעות חמורות אחרות.

**⚠ אזהרה:** אל תעשו שימוש בחיבורים או אביזרים אשר לא הומלצו על ידי היצרן EGO™. השימוש בחיבורים או אביזרים אשר לא הומלצו עלול לגרום לפציעה חמורה.

## יישומים

אתם יכולים להשתמש במכשיר זה על מנת לגזום גדרות, שיחים, צמחיה סבוכה, עצים קטנים וחומרים דומים עם קוטר ענף של פחות מ-26 מ"מ.

## השימוש בגוזם הגדרות עם מוט מתח טלסקופי

**⚠ אזהרה:** לבשו בגדים מתאימים על מנת להפחית את הסיכון לפציעות בעת השימוש בכלי זה. אל תלבשו בגדים רפויים או תכשיטים. השתמשו בהגנה לעיניים / אוזניים. לבשו מכנסיים כבדים, ארוכים, מגפיים וכפפות. אל תלבשו מכנסיים קצרים או סנדלים ואל תפעילו כאשר אתם יחפים.

## הכנה לחיתוך

1. כווננו את ראש החיתוך לתנוחת העבודה הרצויה.
2. הסירו את נדן הלהב מלהב החיתוך.
3. עבור הפעלה טובה ובטוחה יותר, לבשו את רצועת הכתף מעל לכתף. התאימו את רצועת הכתף לתנוחת הפעלה נוחה. בצעו את ההוראות בסעיף „הרכבת רצועת הכתף” במדריך למשתמש של PPX1000 בכדי לחבר את רצועת הכתף למוט המתח הטלסקופי.

**⚠ אזהרה:** אזהרה: רצועת הכתף מהווה גם מנגנון שחרור מהיר במצבים מסוכנים. בעת מצב חירום, הסירו אותה מיד, ללא קשר לכיוון בו היא נמצאת.

**⚠ אזהרה:** תמיד עשו שימוש בשתי הידיים בעת הפעלת גוזם הגדרות בעל הגישה המורחבת. החזיקו את גוזם הגדרות בעל הגישה המורחבת בשתי הידיים בכדי למנוע אבדן שליטה. בצעו את ההוראות בסעיף „החזקת מוט המתח הטלסקופי” במדריך למשתמש של PPX1000

## טכניקות עבודה

חיתוך לרוחב (עם ראש החיתוך בזווית)

חתכו קרוב לקרקע מתנוחת עמידה לדוגמה, עבור חיתוך של שיחים נמוכים.

הניפו את ראש החיתוך אל הימין והשמאל בזמן שאתם עוברים לאורך הגדר - השתמשו בשני הצדדים של הלהבים ואל תניחו את להב החיתוך על הקרקע (איור H)

## חיתוך לרוחב (עם ראש החיתוך ישר)

החזיקו את ראש החיתוך בזווית של 0° בזמן הנפה אטית של גוזם הגדרות במאוזן. הניפו את ראש החיתוך בקשת לכיוון החלק החיצוני של הגדר כדי שהחיתוכים יטואטאו לקרקע (איור I).

**המלצה:** גזמו רק גדרות שאינן גבוהות מגובה החזה בתנוחת עבודה זו.

## חיתוך לאורך (עם ראש החיתוך בזווית)

גיזום מבלי לעמוד בצמוד לגדר, כגון, ערוגות פרחים בין המפעיל לגדר.

בתנוחת חיתוך זו, לשליטה טובה יותר שלכם בגוזם הגדרות, מומלץ לחבר את גוזם הגדרות לראש החשמלי בתנוחת החיתוך הצדדי.

הניפו את ראש החיתוך למעלה ולמטה בצורת קשת בזמן שאתם עוברים לאורך הגדר - השתמשו בשני הצדדים של להב החיתוך (איור J).

## חיתוך לאורך (עם ראש החיתוך ישר)

טווח הגעה ארוך במיוחד ללא צורך בעזרים אחרים. הניפו את ראש החיתוך למעלה ולמטה בצורת קשת בזמן שאתם עוברים לאורך הגדר - השתמשו בשני הצדדים של להב החיתוך (איור K).

## חיתוך עילי (עם ראש החיתוך בזווית)

החזיקו את גוזם הגדרות בצורה אנכית והניפו אותו בקשת כדי לעשות שימוש מרבי בטווח ההגעה שלו (איור L1 ו-L2). לגדר גבוהה במיוחד, מוט ההארכה מתאים לסייע בגיזום.

**⚠ אזהרה:** כל תנוחת עבודה מעל גובה הראש היא מעייפת. כדי להקטין את הסיכון לתאונות, פעלו בתנוחות אלה לזמן קצר בלבד. קבעו את זווית של ראש החיתוך הניתן להתאמה כך שניתן יהיה לאחוז את הכלי בתנוחה נמוכה יותר ופחות מעייפת (עם רצועת הכתף) תוך כדי המשך אספקת טווח הגעה מתאים.

להפעלה/לכיבוי של כלי העבודה

עיינו בסעיף „הפעלה/כיבוי של מוט המתח הטלסקופי” במדריך למשתמש של מוט המתח PPX1000.

## תחזוקה

**⚠ אזהרה:** במקרה של עבודות תיקון, השתמשו רק בחלקי חילוף זהים. בדקו ותחזקו את המכשיר באופן סדיר. על מנת להבטיח בטיחות ואמינות, יש לבצע את כל התיקונים והחלפות בעזרת טכנאי שירות מוסמך.

**⚠ אזהרה:** לפני בדיקה, ניקיון או עבודות שירות עבור היחידה, עצרו את המנוע, חכו שכל החלקים הנעים יפסיקו את פעולתם והסירו את מארז הסוללה. אי ביצוע הוראות אלה עשוי לגרום לפציעה אישית חמורה או נזק לרכוש.

**⚠ הודעה:** לפני כל שימוש בדקו את כל המוצר עבור חלקים ניזוקים, משוחררים או חסרים, כגון ברגים, אומים, בריחים, מכסים וכו'. הדקו בבטחה את כל האבזמים והמכסים ואל תפעילו את המוצר עד אשר חלקים חסרים או ניזוקים תוקנו או החלפו. צרו קשר עם שירות הלקוחות או לטכנאי שירות מוסמך.

#### תחזוקה כללית

הימנעו משימוש בממסים כאשר אתם מנקים חלקי פלסטיק. רוב חלקי הפלסטיק עלולים להיזקק מסוגים שונים של ממסים מסחריים ועל ידי השימוש בהם. השתמשו במטליות נקיות על מנת להסיר לכלוך, אבק, שמן, חומר סיכה וכו'.

#### ניקיון של אביזר גוזם הגדרות

1. עצרו את המנוע והסירו את מארז הסוללה.
  2. נקו לכלוך ופסולת מאביזר גוזם הגדרות בעזרת מטלית לחה עם סבון עדין.
- הודעה:** אל תעשו שימוש בחומרי ניקוי חזקים על תא הפלסטיק או על גבי הידית. עלול להיגרם להם נזק על ידי שמנים ארומטיים למיניהם, כגון אורן ולימון.

#### אחסון אביזר גוזם הגדרות

1. עצרו את המנוע והסירו את מארז הסוללה ממוט המתח הטלסקופי.
2. הסירו את אביזר גוזם הגדרות ממוט המתח הטלסקופי.
3. נקו כל חומר רז מאביזר גוזם הגדרות.
4. אחסנו במקום רחוק מהישג ידם של ילדים.
5. הרחיקו מחומרים הגורמים לקורוזיה כגון כימיקלים לגינה ומלחים מסירי קרח.

#### החלפת הלהב

**⚠ אזהרה:** לבשו תמיד כפפות מגן בעת הטיפול בלהב; רכיבים אלו חדים ועלולים לכלול חלקים מחוספסים.

1. כבו את הכלי והסירו את מארז הסוללה.
2. כווננו את הלהב אל המצב האופקי כאשר אתם מבטיחים שהרכבת הלהב נמצאת בקו אחד עם מוט גוזם הגדרות להרכבה קלה (איור M).

M-1	בורג מס' 1 (ברגים קצרים)	M-6	תותב מסב
-----	--------------------------	-----	----------

M-2	מכסה תחתון	M-7	בורג מס' 2 (ברגים ארוכים)
M-3	לוחית תמיכה מס' 3	M-8	לוחית תמיכה מס' 2
M-4	ידית קישור	M-9	הרכבת הלהב
M-5	לוחית תמיכה מס' 1	M-10	חוסם חריג

3. השתמשו במפתח משושה (לא כלול) בכדי לשחרר את ששת הברגים מס' 1 (ברגים קצרים) במכסה התחתון ולהסיר אותו.
4. המשיכו ושחררו את שני הברגים מס' 2 (ברגים ארוכים) על מנת להסיר את לוחיות התמיכה מס' 1 ו-2 ואת שני תותבי המסב. שני תותבי המסב ממוקמים באופן נפרד בתוך שני החריצים המשושים העגולים בהרכבת הלהב.
5. הסירו את לוחית התמיכה מס' 3.
6. הסירו בזהירות את ידית הקישור מן הלהב.
7. הסירו את הרכבת הלהב מן הכלי והבטיחו שתנוחת הרכבת החוסם החריג נשארת ללא שינוי.
8. יישרו את הגבשושית הפנימית על גבי הרכבת הלהב החדשה עם החור בתוך ידית הקישור בכדי להתקין את הרכבת הלהב החדשה אל מקומה.
9. הכניסו את שני תותבי המסב אל שני המשושים העגולים בנפרד.
10. הרכיבו את לוחית התמיכה מס' 1 ולאחר מכן את לוחית התמיכה מס' 2.
11. החזיקו את החורים הפנימיים בלהב, את תותבי המסב ואת החורים בלוחיות התמיכה בקו אחד עם חורי הברגים בתיבת ההילוכים. התקינו את שני הברגים הארוכים אל החורים המיושרים והדקו אותם בבטחה.
12. הזיזו קלות את הלהב העליון קדימה ואחורה על מנת לבדוק האם הלהב יכול לזוז בחופשיות. אם לא, הרכיבו את הלהבים עד אשר הלהב העליון יכול לזוז בחופשיות.
13. התקנת ידית הקישור.
14. יישרו את חור לוחית התמיכה מס' 3 עם הגבשושית על גבי החוסם החריג בכדי להתקין את לוחית התמיכה במקומה כאשר אתם מבטיחים שהלוחית ממוקמת בדיוק במרכז, במקביל לשני הקצוות.
15. הרכיבו את המכסה התחתון אל תיבת ההילוכים והבטיחו אותו עם ששת הברגים הקצרים.

#### שימון הלהב (תמונה N)

עבור הביצועים הטובים ביותר ואורך חיים יותר של הלהב, שמנו את להב גוזם הגדרות עם שמן נגד חלודה אחרי כל שימוש. אין למלא לגמרי את חור השמן בשמן.

1. הסירו את בורג חור השימון על גבי תיבת ההילוכים עם מפתח משושה (לא כלול).

N-1	בורג חור שימון
-----	----------------

2. הזריקו 5 גרם של חומר סיכה דרך חור חומר הסיכה אל תוך תיבת ההילוכים.
3. הדקו את הבורג כאשר אתם מסיימים.

### שימון הילוכי המנוע

עבור הביצועים הטובים ביותר וחיים ארוכים יותר, שמנו את הילוכי המנוע של אביזר גוזם הגדרות עם חומר סיכה מיוחד לאחר כל 100 שעות הפעלה.

על חומר הסיכה לעמוד בדרישות הבאות:

- רמת חדירה NLGI-2; NLGI-2;
- סוג עיבוי: פוליאוריהא;
- טווח טמפרטורת הפעלה מומלצת:  $-40^{\circ}\text{C}$  עד  $180^{\circ}\text{C}$
- מלבד המוזכר למעלה, על חומר הסיכה להיות יציב לגיזום עם תכונות לחץ יוצאות מן הכלל ותכונות מצוינות נגד בלאי ובעל יציבות חמצון מושלמת.

מלאו אחר השלבים למטה בכדי למלא בחומר הסיכה:

1. כבו את הכלי והסירו את מארז הסוללה.
2. השתמשו במפתח משושה (לא כלול) על מנת לשחרר ולהסיר שלושה ברגים קצרים (O-1) על גבי מכסה המנוע (O-2) ולאחר מכן להסיר את מכסה המנוע (איור O).

O-1	בורג קצר	O-5	דסקית
O-2	מכסה מנוע	O-6	תיבת הילוכים
O-3	בורג קצר	O-7	הילוכי פלנטה
O-4	מנוע		

3. שחררו את שלושת הברגים הקצרים (O-3) על גבי המנוע ולאחר מכן הסירו את המנוע ואת הדסקית.
4. השתמשו באקדח חומר סיכה (לא כלול) על מנת להזריק 5 גרם של חומר סיכה אל המרכז של שלושת הילוכי הפלנטה העליונים (O-7) אל תוך תיבת ההילוכים.

**הערה:** הבטיחו שתנוחת החלקים האחרים ליד תיבת ההילוכים נשארת ללא שינוי בעת ההזרקה.

5. הרכיבו מחדש את הדסקית ואת המנוע על ידי הידוק שלושת הברגים הקצרים (O-3).
6. הרכיבו מחדש את מכסה המנוע על ידי הידוק שלושת הברגים הקצרים (O-1).
7. הפעילו את הכלי בכדי לראות אם הוא פועל כהלכה. אם לא, הרכיבו מחדש על פי הצעדים הקודמים.

**הערה:** לאחר הסרת מכסה המנוע, נקו את האבק מסביב למנוע.

### הגנה על הסביבה

אל תזרקו ציוד חשמלי, מטען הסוללה וסוללות/סוללות ניתנות לטעינה ביחד עם אשפה ביתית!



## איתור וטיפול בבעיות

פתרון	סיבה	בעיה
<ul style="list-style-type: none"> <li>הסירו את הסוללה, בדקו את החיבורים וחברו מחדש את מארז הסוללה.</li> <li>הטעינו את מארז הסוללה.</li> <li>אפשרו למארז הסוללה או למוט המתח להתקרר עד לטמפרטורה של פחות מ-67°C.</li> <li>הסירו את מארז הסוללה מן המכשיר. הסירו את המחסום בזהירות ולאחר מכן החדירו מחדש את הסוללה והפעילו מחדש את המכשיר.</li> </ul>	<ul style="list-style-type: none"> <li>לא מתבצע חיבור חשמלי בין הגוזם לסוללה.</li> <li>קיבולת מארז הסוללה ריקה</li> <li>מארז הסוללה או הכלי נמצאים בהגנה מפני טמפרטורה גבוהה מדי</li> <li>הלהב תקוע.</li> </ul>	<p>גוזם הגדרות איננו פועל</p>
<ul style="list-style-type: none"> <li>שמנו את הלהבים.</li> <li>החליפו בלהב או תמיכה חדשים כאשר את עוקבים אחרי סעיף „החלפת הלהב” במדריך זה או צרו קשר עם מרכז השירות של EGO להחלפה.</li> <li>החליפו בלהב חדש כאשר את עוקבים אחרי סעיף „החלפת הלהב” במדריך זה או צרו קשר עם מרכז השירות של EGO להחלפה.</li> <li>הדקו את בריחי הלהב. השתמשו במפתח משושה (לא כלול) וסובבו את הבורג בכיוון השעון להידוק.</li> </ul>	<ul style="list-style-type: none"> <li>להבים יבשים או עם קורוזיה.</li> <li>הלהבים או תומכי הלהבים עקומים.</li> <li>שיניים עקומות או ניזוקות.</li> <li>בריחי להב משוחררים.</li> </ul>	<p>ישנו יתר רטט או רעש.</p>

## אחריות

### מדיניות האחריות של EGO

אנא בקרו באתר [egopowerplus.com](http://egopowerplus.com) עבור התנאים וההתניות השלמים של מדיניות האחריות של EGO.

## اقرأ جميع التعليمات!



### اقرأ دليل التشغيل

**⚠️ خطر زائد!** الأشخاص الذين تم تركيب أجهزة طبية إلكترونية لهم، مثل منظم ضربات القلب، يجب عليهم استشارة الطبيب قبل استخدام هذا المنتج. لأن تشغيل معدات كهربائية بالقرب من منظم ضربات القلب قد ينشأ عنه خلل أو فشل في أداء منظم ضربات القلب.

**⚠️ تحذير:** لضمان السلامة والاعتمادية، يجب تنفيذ جميع أعمال الإصلاح واستبدال الأجزاء من قبل فني خدمة مؤهل.

## رموز السلامة

الغرض من رموز السلامة هو جذب انتباهك إلى المخاطر المحتملة. رموز السلامة والشروح المصاحبة لها تستحق اهتمامك وفهمك الدقيق. تحذيرات كل رمز، بنفسها، لا تمنع وقوع أي خطر. التعليمات والتحذيرات التي تمنحك إياها لا تعد بديلاً عن تطبيق الإجراءات الملائمة لمنع وقوع الحوادث.

**⚠️ تحذير:** احرص على قراءة وفهم جميع تعليمات السلامة في دليل التشغيل هذا، بما في ذلك جميع رموز تنبيهات السلامة، مثل «خطر»، و«تحذير» و«تنبيه» قبل استخدام هذه الآلة. عدم اتباع جميع التعليمات الواردة أدناه قد يؤدي إلى حدوث صدمة كهربائية أو نشوب حريق أو التعرض للإصابة الشخصية، أحدها أو جميعها.

## معنى الرموز

**⚠️ رمز تنبيه السلامة:** يشير إلى خطر أو تحذير أو تنبيه، وقد يتم استخدامه بشكل متزامن مع الرموز أو الصور الكتابية الأخرى.

**⚠️ تحذير:** قد يؤدي تشغيل أي آلة عاملة بالطاقة إلى دخول أي أشياء غريبة في عينيك، وهو ما قد يؤدي إلى إلحاق أضرار خطيرة بالعين. قبل بدء تشغيل الآلة العاملة بالطاقة، احرص دائماً على ارتداء واقبات العينين ونظارات حماية العينين ذات دروع جانبية، ودرع واق لكامل الوجه عند اللزوم. نوصي بارتداء قناع السلامة واسع الرؤية لاستخدامه فوق نظارات العين أو نظارات السلامة العادية ذات الدروع الجانبية.



## تعليمات السلامة

هذه الصفحة تصف وتشرح رموز السلامة التي قد تظهر على هذا المنتج. اقرأ جميع التعليمات المذكورة على الآلة وافهمها واتبعها قبل محاولة تجميع الآلة وتشغيلها.

	تنبيه سلامة	يشير إلى خطر محتمل للتعرض لإصابة شخصية.
	اقرأ دليل التشغيل	للحد من خطر التعرض لإصابة، ينبغي على المستخدم قراءة دليل التشغيل.
	حافظ على مسافة كافية بعيداً عن خطوط الكهرباء	لمنع حدوث صعق كهربائي، لا تقم بتشغيل الآلة في نطاق 15 متراً من خطوط الكهرباء العلوية. لأن ملامستها لخطوط التيار أو استخدامها بالقرب منها قد يتسبب في وقوع إصابات خطيرة أو التعرض لصدمة كهربائية قد تؤدي للوفاة.
	الضوضاء	مستوى قوة الصوت المضمن. انبعثات الضوضاء في البيئة وفقاً لتوجيه الاتحاد الأوروبي.
	شهادة الجودة الأوروبية CE	هذا المنتج متوافق مع توجيهات شهادة الجودة الأوروبية (CE) المعمول بها.
	نفايات المعدات الكهربائية والإلكترونية (WEEE)	لا يجب التخلص من الأجهزة الكهربائية المستهلكة في النفايات المنزلية. توجه بالجهاز إلى مركز إعادة تدوير معتمد.
	أبق يديك وقدميك بعيداً عن آلة القطع	لا تقم أبداً بتشغيل تلك العاملة بالطاقة باستخدام يد واحدة. لأن فقد التحكم في الآلة قد يؤدي لوقوع إصابات خطيرة أو مميتة للحد من خطر التعرض لجروح، أبق يديك وقدميك بعيداً عن آلة القطع. لا تقم أبداً بلمس أي آلة قطع وهي تتحرك بيدك أو أي جزء آخر من جسمك.

	احرص دائماً على ارتداء أدوات حماية العينين والرأس عند تشغيل هذا المنتج.
IPX5	الحمية ضد دخول الماء، من الدرجة 5
V	الجهد الكهربائي
mm	الطول أو الحجم
cm	الطول أو الحجم
kg	الوزن
	النوع أو خصائص التيار

- في وقوع إصابات خطيرة أو التعرض لصدمة كهربائية قد تؤدي للوفاة.
  - استخدم كلتا يديك عند تشغيل جزازة السياج الممتدة. أمسك جزازة السياج الممتدة بكلتا يديك لتجنب فقد التحكم فيها.
  - استخدم واقي الرأس عند تشغيل جزازة السياج الممتدة في مكان فوق رأسك. لأن الحطام الساقط قد يتسبب في وقوع إصابات شخصية خطيرة.
  - افحص السياج بحثاً عن أي أشياء غريبة قبل التشغيل، مثل أسلاك السياج والأسلاك المخفية.
  - أمسك الآلة العاملة بالطاقة من أسطح الإمساك المعزولة فقط.
  - جزازة السياج معدة لاستخدامها من قبل عامل عند مستوى الأرض، وليس على السلال أو أي وسيلة دعم أخرى غير ثابتة.
  - لا تستخدم الآلة إلا مع مجموعات البطارية والشواحن المدرجة في الشكل A2.
- احفظ هذه التعليمات

يمكن التعرف على قواعد السلامة المقررة الإضافية من دليل تشغيل الملحق المستخدم

## ⚠️ تحذيرات السلامة الخاصة بجزازة السياج

- اجعل جميع أجزاء الجسم بعيدة عن شفرة القاطع. لا تقم بإزالة المواد المقطوعة أو تمسك بالمواد المراد قطعها أثناء حركة الشفرات. احرص على فصل التيار عن الآلة عند إزالة المواد المنحشرة. لحظة من عدم الانتباه أثناء تشغيل جزازة السياج قد تؤدي إلى تعرض الأشخاص لإصابات خطيرة.
  - احمل جزازة السياج من المقبض بينما شفرة القاطع متوقفة. عند نقل أو تخزين جزازة السياج، احرص دائماً على وضع غطاء أدوات القطع بالآلة. التعامل الصحيح مع جزازة السياج سيقلل من تعرض الأشخاص للإصابة بفعل شفرات القاطع.
  - عند نقل أو تخزين جزازة السياج، احرص دائماً على تركيب غطاء الشفرة. التعامل الصحيح مع جزازة السياج سيحد من خطر وقوع إصابات شخصية بسبب الشفرات.
  - عند تنظيف الإسدادات أو صيانة الوحدة، تأكد من إطفاء جميع مفاتيح التشغيل وخلع مجموعة البطارية أو فصلها. لأن التشغيل غير المتوقع لجزازة السياج أثناء تنظيف الإسدادات أو الصيانة قد يؤدي إلى وقوع إصابات شخصية خطيرة.
  - عند تنظيف الإسدادات أو صيانة الوحدة، تأكد من إطفاء جميع مفاتيح التشغيل وضبط مفتاح القفل على وضع القفل. لأن التشغيل غير المتوقع لجزازة السياج أثناء تنظيف الإسدادات أو الصيانة قد يؤدي إلى وقوع إصابات شخصية خطيرة.
  - أمسك بجزازة السياج من أسطح الإمساك المعزولة فقط. لأن الشفرة قد تلتحق بأسلاك مخفية قد تتلامس الشفرات مع سلك تيار "جرب"، وهو ما يجعل الأجزاء المعدنية المكشوفة بجزازة السياج "مكهربة" ويتسبب في إصابة مشغل الآلة بصدمة كهربائية.
  - احتفظ بجميع كابلات وأسلاك الطاقة بعيداً عن منطقة القطع. قد تكون كوابل أو أسلاك الطاقة مخفية في السياج أو الشجيرات، ومن ثم قد تتعرض للمقطع بواسطة الشفرة دون قصد.
  - تجنب استخدام جزازة السياج في ظروف مناخية صعبة، خاصة عند وجود خطر حوث برق. فهذا يحد من خطر الإصابة بالبرق.
- ⚠️ تعليمات السلامة الإضافية لجزازات السياج الممتدة
- للحد من خطر التعرض لصدمة كهربائية، احرص على ألا تستخدم أبداً جزازة السياج الممتدة بالقرب من أي خطوط تيار. لأن ملاستها لخطوط التيار أو استخدامها بالقرب منها قد يتسبب

## المواصفات

510 مم	طول الشفرة
26 مم	سعة القطع
0 - 40 درجة مئوية	درجة حرارة التشغيل الموصى بها
20 - 70 درجة مئوية	درجة حرارة التخزين الموصى بها
2.67 كجم	الوزن
93.75 ديسيبل (A)	مستوى قوة الصوت المُقدَّر $L_{WA}$
1.7 = K ديسيبل (A)	
83 ديسيبل (A)	مستوى ضغط الصوت عند أذن مُشغل الآلة $L_{PA}$
3 = K ديسيبل (A)	
95 ديسيبل (A)	مستوى قوة الصوت المضمون $L_{WA}$ (تم قياسه وفقاً للمعيار (EC/14/2000)
1.3 م/ثانية <sup>2</sup>	المقبض الأمامي
1.5 = K م/ثانية <sup>2</sup>	
1.3 م/ثانية <sup>2</sup>	المقبض الخلفي
1.5 = K م/ثانية <sup>2</sup>	

- تم اختبار المعايير أعلاه وقياسها أثناء تركيب عمود الطاقة PPX1000؛
- القيمة الكلية للاهتزاز الموضحة تم قياسها وفقاً لطريقة اختبار قياسية وقد تستخدم لمقارنة أداة بأخرى؛
- كما يمكن استخدام القيمة الكلية للاهتزاز الموضحة في التقييم التمهيدي للتعرض.

ملاحظة: قد تختلف انبعاثات الاهتزاز أثناء الاستخدام الفعلي للآلة العاملة بالطاقة عن القيمة المعلنة التي يتم استخدام الآلة فيها؛ ولحماية مشغل الآلة، ينبغي على المستخدم ارتداء قفازات وواقبات للأذن في ظروف الاستخدام الفعلية.

## الوصف

### تعرف على ملحق جزارة السياج (الشكل A1)

1. الجلبة الخلفية
2. الجلبة الأمامية
3. هيكل المحرك
4. غلاف الشفرة
5. الشفرة

### قائمة المحتويات (A2)

## التجميع

**تحذير:** إذا حدث تلف أو فقد في أي أجزاء، لا تقم بتشغيل هذا المنتج إلا بعد استبدال الأجزاء. استخدام هذا المنتج مع وجود أجزاء تالفة أو مفقود قد يؤدي إلى وقوع إصابات شخصية خطيرة.

**تحذير:** احرص دائماً على خلع مجموعة البطارية من المنتج عند تجميع الأجزاء، أو عمل التعديلات، أو التنظيف، أو عند عدم استخدام المنتج.

### ضبط زاوية رأس الجزر

عند إخراج ملحق جزارة السياج من العبوة، يكون مطويًا في وضع التخزين (الشكل B). يمكن ضبط زاوية المفصل والدوران الشعاعي لرأس الجزر بشكل مستقل. اضبط رأس الجزر على وضع عمل ملائم قبل التشغيل.

### ضبط زاوية المفصل

هناك ستة أوضاع عمل. يمكن ضبط شفرة الجزر ما بين -68 إلى 42 درجة (الشكل C).

1. اسحب الجلبة الأمامية للخلف، ثم أمسك غطاء المحرك بإحكام لإدارة زاوية الجزر إلى الوضع المرغوب.

C-1	الجلبة الأمامية
C-2	الجلبة الخلفية

2. ما أن يتم الوصول للزاوية المرغوبة، ادفع الجلبة للأمام لقفل موضع رأس الجزر.

### ضبط الدوران الشعاعي

هناك موضعان رأسيان للجزر (الشكل D). يمكن ضبطه على ناحية اليسار أو اليمين بزاوية 90 درجة.

1. اسحب الجلبة الخلفية للخلف، ثم أمسك غطاء المحرك بإحكام لإدارة الشفرة إلى الوضع المرغوب.

2. ما أن يتم الوصول للزاوية المرغوبة، ادفع الجلبة للأمام لقفل موضع رأس الجزر.

**تحذير:** للحد من خطر التعرض لإصابات، اخلع البطارية قبل عمل التعديلات، ويجب أن يكون تنفيذ تلك التعديلات والشفرة متوقفة. لا تلمس أبداً الشفرات أثناء تنفيذ أعمال الضبط.

**تحذير:** صندوق ناقل الحركة المصنوع من السبائك المصبوبة يكون ساخنًا. احرص على ألا تلمس أبداً سطح صندوق ناقل الحركة المصنوع من السبائك المصبوبة إلا وأنت ترتدي قفاز حماية.

توصيل/خلع ملحق جزارة السياج بعمود الطاقة المترابك

ملحق جزارة السياج هذا مصمم للاستخدام مع عمود الطاقة (الشكل E) المترابك PPX1000 من شركة EGO.

راجع قسم "تركيب ملحق بعمود الطاقة المترابك" الموجود في دليل تشغيل عمود الطاقة المترابك PPX1000 للتعرف على كيفية توصيل جزارة السياج بعمود الطاقة.

راجع قسم "خلع الملحق من عمود الطاقة المترابك" الموجود في دليل تشغيل عمود الطاقة المترابك PPX1000 للتعرف على كيفية فصل جزارة السياج عن عمود الطاقة.

### تركيب واقي قمة الجزارة (اختياري)

1. استخدم مفتاح ربط سداسي (الأتكويه) (غير مرفق) في خلع المسامير القصير والوردة المسطحة والجلبة والصامولة في طرف شفرة القطع، واحتفظ بالوردة المسطحة والجلبة والصامولة للرجوع إليهم عند إعادة التجميع (الشكل F).

F-1	صامولة	F-3	وردة مسطحة
F-2	جلبة معدنية	F-4	مسامير قصير

2. قم بمحاذاة واقي قمة الجزارة مع الفتوة الموجود بشفرة القطع، وركبه في مكانه الصحيح. قم بتأمينه باستخدام المسامير الطويل الجديد والصامولة، وكذا الوردة والجلبة والصامولة الذين احتفظت بهم (الشكل G).

G-1	صامولة	G-4	جلبة معدنية
G-2	واقي قمة الجزارة	G-5	وردة مسطحة
G-3	صامولة	G-6	مسامير طويل

## لتشغيل

**خطر:** لا تقم أبداً بقطع خطوط التيار أو الأسلاك الكهربائية أو المصادر الكهربائية الأخرى الموجودة في الجوار. إذا انحشرت شفرات القطع في أي سلك كهربائي أو خط كهرباء، لا تلمس الشفرة أو عمود الألمنيوم! لأنها قد تصبح موصولة بالتيار الكهربائي، وربما تكون خطيرة للغاية. واصل الإمساك بملحق جزارة السياج من خلال المقبض المعزول أو ضعه على الأرض بعيداً عنك بطريقة آمنة. افصل التيار عن الخط أو السلك الكهربائي قبل محاولة تحرير الشفرة من السلك أو الكابل. ستؤدي ملامسة الشفرة أو الأجزاء الأخرى الموصلة للكهرباء من ملحق جزارة السياج أو الأسلاك الكهربائية أو خطوط الكهرباء التي بها تيار جارٍ إلى الوفاة بفعل الصعق الكهربائي أو وقوع إصابات خطيرة.

**تحذير:** لا تسمح لاعتيادك على تشغيل هذا المنتج أن يجعلك مستهتراً عند التعامل معه. ولا تنس أن الاستهتار لجزء من الثانية كافٍ للتسبب في حدوث إصابات خطيرة.



## الجزء الرأسي (رأس الجزء مائلة بزواوية)

الجزء دون الوقوف بالقرب من السياج مباشرة، على سبيل المثال وجود مشتل زهور بين مشغل الآلة والسياج.

في وضع الجزء هذا، ولتتحكم بشكل أفضل في جزارة السياج، من الموصى به توصيل جزارة السياج برأس الجزء في وضع الجزء الجانبي.

أرجح رأس الجزء لأعلى ولأسفل على شكل قوس أثناء حركتك على طول السياج - استخدم كلا جانبي شفرة القطع (الشكل J).

## الجزء الرأسي (وشفرة الجزء في وضع مستقيم)

الوصول لمسافة أبعد دون الحاجة لمساعدات إضافية. أرجح رأس الجزء لأعلى ولأسفل على شكل قوس أثناء حركتك على طول السياج - استخدم كلا جانبي شفرة الجزء (الشكل K).

## الجزء العلوي (ورأس الجزء مائلة بزواوية)

أمسك جزارة السياج بشكل رأسي وأرجحها على شكل قوس لتحقيق أقصى استفادة من مدى وصولها (الشكل L1 وL2). بالنسبة للسياج شاهق الارتفاع، فإن عمود التمديد ملائم للمساعدة في عملية الجزء.

**تحذير:** أي وضع تشغيل فوق مستوى الرأس يكون مجهداً. لتقليل خطر وقوع حوادث، ولكن عكك في هذا الوضع لفترات قصيرة فقط. اضبط زاوية رأس الجزء القابلة للضبط على الحد الأقصى لها بحيث يمكنك الإمساك بالآلة في وضع أكثر انخفاضاً وأقل إجهاداً (مع حزام الكتف)، بينما تظل تمنحك الوصول المناسب لموضع الجزء.

## بدء تشغيل/إيقاف الآلة

راجع قسم تشغيل/إيقاف عمود الطاقة المتركب" الموجود في دليل تشغيل عمود الطاقة PPX1000.

## الصيانة

**تحذير:** استخدم فقط قطع غيار أصلية عند إجراء أعمال الصيانة. قم بفحص وصيانة الآلة بانتظام. لضمان السلامة والاعتمادية، يجب تنفيذ جميع أعمال الإصلاح من قبل فني خدمة مؤهل.

**تحذير:** قبل فحص الوحدة أو تنظيفها أو صيانتها، أطفئ المحرك، وانتظر إلى أن تتوقف جميع الأجزاء المتحركة، ثم اخلع مجموعة البطارية. لأن عدم اتباع هذه التعليمات قد يؤدي إلى وقوع إصابات شخصية خطيرة أو تلف الممتلكات.

**ملاحظة:** قبل كل استخدام، افحص المنتج بأكمله بحثاً عن الأجزاء التالفة أو المفقودة أو المفكوكة، مثل المسامير الملوية والصواميل والمسامير والأغطية وما شابه. اربط جميع عناصر التثبيت والأغطية بإحكام، ولا تقم بتشغيل هذا المنتج إلا بعد استبدال جميع الأجزاء المفقودة أو التالفة. يُرجى التواصل مع قسم خدمة العملاء أو فني صيانة متخصص.

**تحذير:** ارتد دائماً أدوات حماية للعينين. قد ينجم عن عدم الامتثال لذلك دخول أشياء في عينيك، واحتمالية وقوع إصابات خطيرة.

**تحذير:** لا تستخدم أي مرفقات أو ملحقات غير موصى بها من قبل الشركة الصانعة EGO™. لأن استخدام مرفقات أو ملحقات غير موصى بها قد يؤدي إلى وقوع إصابات شخصية خطيرة.

## الاستخدامات

يمكنك استخدام هذا المنتج في جزّ السياج والحشائش والأغصان والشجيرات والأشياء المشابهة التي يقل قطر أفرعها عن 26 مم.

## استخدام جزارة السياج مع عمود الطاقة المتركب

**تحذير:** احرص على ارتداء ملابس ملائمة للحد من خطر التعرض لإصابات أثناء تشغيل هذه الآلة. لا ترتد ملابس أو مجوهرات غير ثابتة. ارتد أدوات حماية العينين والأذنين/السمع. احرص على ارتداء بنطال طويل قوي، وحذاء ذي رقيقة، وقفازات. لا ترتد بنطال قصيرة أو صنادل أو أن تكون حافي القدمين.

## الإعداد للقطع:

1. اضبط رأس الجزء على وضع التشغيل المرغوب.
2. اخلع غلاف الشفرة عن شفرة الجزء.
3. للتشغيل بشكل أفضل وأكثر أمناً، ارتد حزام الكتف بحيث يمر عبر الكتف. اضبط حزام الكتف على وضعية تشغيل مريحة. اتبع التعليمات الواردة في قسم "تركيب حزام الكتف" من دليل تشغيل المنتج PPX1000 للتعرف على طريقة تركيب حزام الكتف في عمود الطاقة.

**تحذير:** كما أن حزام الكتف مزود بألية التحرير السريع في المواقف الخطرة. عند حدوث طارئ، اخلعه عن كتفك على الفور، بغض النظر عن طريقة تثبيته.

**تحذير:** استخدم كلتا يديك عند تشغيل جزارة السياج الممتدة. أمسك جزارة السياج الممتدة بكلتا يديك لتجنب فقد التحكم فيها. اتبع التعليمات الواردة في قسم "الإمساك بعمود الطاقة المتركب" في دليل تشغيل PPX1000.

## تقنيات التشغيل

### القطع الأفقي (ورأس الجزء مائلة بزواوية)

اقتطع بالقرب من الأرض وأنت في وضع الوقوف، على سبيل المثال عند جز الشجيرات القصيرة.

أرجح رأس الجزء ناحية اليمين واليسار أثناء حركتك على طول السياج - استخدم كلا جانبي الشفرات، ولا تقم بإراحة شفرة القاطع على الأرض (الشكل H).

القطع الأفقي (وشفرة الجزء في وضع مستقيم)

أمسك رأس الجزء بزواوية 0 درجة أثناء أرجحتك ببطء لجزارة السياج بشكل أفقي. أرجح رأس الجزء على شكل قوس ناحية الجوانب الخارجية للسياج، بحيث يتم كسح الأشياء المقطوعة على الأرض (الشكل I).

التوصيات: لا تجرّ أي سياج سوى الذي لا يزيد طوله عن ارتفاع الصدر في وضع التشغيل هذا.

## الصيانة العامة

تجنب استخدام المنظفات عند تنظيف الأجزاء البلاستيكية. غالبية المكونات البلاستيكية تكون سريعة التأثر بالأنواع المختلفة للمنظفات الموجودة بالسوق، وقد تلتف نتيجة استخدامها عليها. استخدم قطعة قماش نظيفة لإزالة الأوساخ والأتربة والزيت والشحم وما شابههم.

### تنظيف ملحق جزارة السياج

1. أوقف المحرك واخلع مجموعة البطارية.
  2. نظف الأوساخ والمواد عن ملحق جزارة السياج باستخدام قطعة قماش مبللة مع منظف خفيف.
- ملاحظة:** لا تستخدم أي منظفات قوية على الهيكل البلاستيكي أو المقبض. لأنهم معرضون للتلف بفعل زيوت عطرية معينة، مثل الصنوبر والليمون.

### تخزين ملحق جزارة السياج

1. أوقف المحرك واخلع مجموعة البطارية من عمود الطاقة المترابك.
2. اخلع ملحق جزارة السياج من عمود الطاقة المترابك.
3. تخلص من أي مواد غريبة موجودة على ملحق جزارة السياج.
4. يكون تخزين المنتج في مكان لا يمكن الوصول إليه من قبل الأطفال.
5. احتفظ بالمنتج بعيداً عن المواد المسببة للتآكل مثل كيماويات الحديقة وملح إذابة الجليد.

### استبدال الشفرة

**⚠ تحذير:** احرص دائماً على ارتداء قفازات عند التعامل مع الشفرة؛ لأن هذه المكونات حادة وقد تكون لها حواف خشنة جداً.

1. أطفئ الآلة واخلع مجموعة البطارية.
2. اضبط الشفرة على الوضع الأفقي، مع التأكد من أن تجميعه الشفرة متحاذية مع عمود جزارة السياج للتركيب بسهولة (الشكل M).

M-1	المسمار 1# (مسامير قصيرة)	M-6	جلبة
M-2	الغطاء السفلي	M-7	المسمار 2# (مسامير طويلة)
M-3	لوحة الدعم 3#	M-8	لوحة الدعم 2#
M-4	رافعة الربط	M-9	تجميعه الشفرة
M-5	لوحة الدعم 1#	M-10	الكتلة اللامركزية

3. استخدم مفتاح ربط سداسي (الإنكيه) (غير مرفق) في فك المسامير الستة 1# (مسامير قصيرة) الموجودة في الغطاء السفلي واخلعهم.
4. واصل فك المسامير 2# (مسامير طويلة) لخلع لوحة الدعم 1# و2#، وكذا الجلبتين. الجلبتان موجودتان بشكل منفصل داخل فتحتي المستطيل المستديرتين في تجميعه الشفرة.
5. اخلع لوحة الدعم 3#.
6. اخلع رافعة الربط برفق من الشفرة.
7. اخلع تجميعه الشفرة من الآلة، مع التأكد من بقاء موضع تجميعه الكتلة اللامركزية دون تغيير.

8. قم بمحاذاة النتوء المتجه للداخل بتجميعه الشفرة الجديدة مع الفتحة الموجودة داخل رافعة الربط لتركيبه تجميعه الشفرة الجديدة في مكانها.
9. أدخل الجلبتين في فتحتي المستطيل المستديرتين بشكل منفصل.
10. ركب لوحة الدعم 1#، ثم ركب لوحة الدعم 2#.
11. احتفظ بالفتحات الداخلية في الشفرة والجلب والفتحات الموجودة في لوحات الدعم متحاذية مع فتحات المسامير في صندوق ناقل الحركة. أدخل المسامير الطويلين في الفتحات المتحاذية، واربطهم بإحكام.
12. حرك الشفرة العلوية برفق للخلف وللأمام للتحقق مما إذا كانت الشفرة تتحرك بحرية. إذا لم تكن تتحرك بحرية، أعد تجميعه الشفرات إلى أن تتحرك الشفرة العلوية بحرية.
13. ركب رافعة الربط.
14. حاذ الفتحة الموجودة بلوحة الدعم 3# مع النتوء الموجود بالكتلة اللامركزية لتركيبه لوحة الدعم في مكانه، مع التأكد من تركيب اللوح في المنتصف بالضبط، بحيث يتوازى مع كلا الحافتين.
15. ركب الغطاء السفلي على صندوق ناقل الحركة، وثبته بستة مسامير قصيرة.

### تزييت الشفرة (الشكل N)

لتحقيق أفضل أداء وأطول عمر لشفرة جزارة السياج، قم بتزييتها بزيت مانع للصدأ بعد كل استخدام. لا تملأ فتحة الزيت حتى نهايتها بالزيت.

1. فك مسمار فتحة ملء الزيت الموجود في صندوق ناقل الحركة بمفتاح ربط سداسي (الإنكيه) (غير مرفق).

مسمار فتحة ملء الزيت N-1

2. احقق 5 جم شحم عبر فتحة التشحيم في صندوق ناقل الحركة.
3. بمجرد الانتهاء، اربط المسامير بإحكام.

### تشحيم عمود ناقل الحركة

لتحقيق أفضل تشغيل وأطول عمر للآلة، قم بتشحيم عمود ناقل الحركة في ملحق جزارة السياج بشحم خاص بعد كل 100 ساعة تشغيل.

يجب أن يليي الشحم المتطلبات التالية:

- درجة الاحتراق وفقاً للمعهد الوطني لزيوت التشحيم: NLGI-2؛
- نوع مغلظ القوام: بولي يوريثا؛
- مدى درجة حرارة التشغيل الموصى بها: -40 إلى 180 درجة مئوية؛
- بخلاف ما سبق، يجب أن يكون معدل تغير لزوجة الشحم ثابتاً مع خصائص ضغط استثنائية، ومقاومة فائقة للتآكل، وثبات ممتاز عند الأكسدة.

اتبع الخطوات أدناه للتعبئة بالشحم:

1. أطفئ الآلة واخلع مجموعة البطارية.
2. استخدم مفتاح ربط سداسي (الإنكيه) (غير مرفق) في فك وخلع المسامير الثلاثة القصيرة (O-1) الموجودة بغطاء المحرك (O-2)، ثم فك غطاء المحرك (الشكل O).

O-1	مسمار قصير	O-5	وردة
O-2	غطاء المحرك	O-6	صندوق ناقل الحركة
O-3	مسمار قصير	O-7	تروس الإدارة
O-4	المحرك		

## حماية البيئة

لا تتخلص من المعدات الكهربائية وشاحن البطارية والبطاريات العادية/البطاريات القابلة لإعادة الشحن في النفايات المنزلية!



3. فك المسامير الثلاثة القصيرة (O-3) الموجودة بالمحرك، ثم فك المحرك والوردة.

4. استخدم مسدس تشحيم (غير مرفق) لحقن 5 جم من الشحم في منتصف تروس الإدارة العلوية الثلاثة (O-7) في صندوق ناقل الحركة.

ملاحظة: تأكد من ثبات موضع الأجزاء الأخرى الموجودة بالقرب من صندوق ناقل الحركة في مكانها دون تغيير أثناء الحقن.

5. أعد تجميع الوردة والمحرك عن طريق ربط المسامير الثلاثة القصيرة (O-3).

6. أعد تجميع غطاء المحرك عن طريق ربط المسامير الثلاثة القصيرة (O-1).

7. ابدأ تشغيل الآلة للتحقق مما إذا كانت تعمل بشكل طبيعي أم لا. إن لم تكن تعمل بشكل طبيعي، أعد تجميعها وفقاً للخطوات الواردة أعلاه.

ملاحظة: بعد خلع غطاء المحرك، نظف غبار المنتشر الموجود حول المحرك.

المشكلة	السبب	الحل
جزارة السياج لا تعمل.	<ul style="list-style-type: none"> <li>لا يوجد اتصال كهربائي بين الجزارة والبطارية.</li> <li>نقد شحن مجموعة البطارية.</li> <li>تم فصل مجموعة البطارية أو الآلة بفعل الارتفاع الزائد في درجة الحرارة.</li> <li>هناك انسدادات في الشفرة.</li> </ul>	<ul style="list-style-type: none"> <li>اخلع البطارية، وافحص التوصيلات، ثم أعد تركيب مجموعة البطارية.</li> <li>اشحن مجموعة البطارية.</li> <li>اترك مجموعة البطارية أو عمود الطاقة يبردان إلى أن تهبط درجة حرارتهم إلى ما دون 67 درجة مئوية.</li> <li>اخلع مجموعة البطارية من الآلة. تخلص من أي عوائق برفق، ثم أعد إدخال البطارية وأعد تشغيل الآلة.</li> </ul>
هناك اهتزازات أو ضوضاء زائدة.	<ul style="list-style-type: none"> <li>الشفرات جافة أو بها صدأ.</li> <li>دعامة الشفرات مثنية.</li> <li>أسنان الشفرة مثنية أو تالفة.</li> <li>مسامير الشفرة مفكوكة.</li> </ul>	<ul style="list-style-type: none"> <li>قم بتزييت الشفرات.</li> <li>استبدل الشفرة بشفرة أو دعامة جديدة وفقاً للتعليمات الواردة في قسم "استبدال الشفرة" من هذا الدليل أو تواصل مع مركز خدمة EGO لاستبدالها.</li> <li>استبدل الشفرة بشفرة جديدة وفقاً للتعليمات الواردة في قسم "استبدال الشفرة" من هذا الدليل أو تواصل مع مركز خدمة EGO لاستبدالها.</li> <li>اربط مسامير الشفرة جيداً. باستخدام مفتاح ربط سداسي (الأنكيه) (غير مرفق)، أدر المسمار في اتجاه عقارب الساعة لربطه.</li> </ul>

## الضمان

### سياسة ضما

تفضل بزيارة الموقع الإلكتروني [egopowerplus.com](http://egopowerplus.com) للتعرف على الشروط والأحكام الكاملة الخاصة بسياسة ضمان EGO.