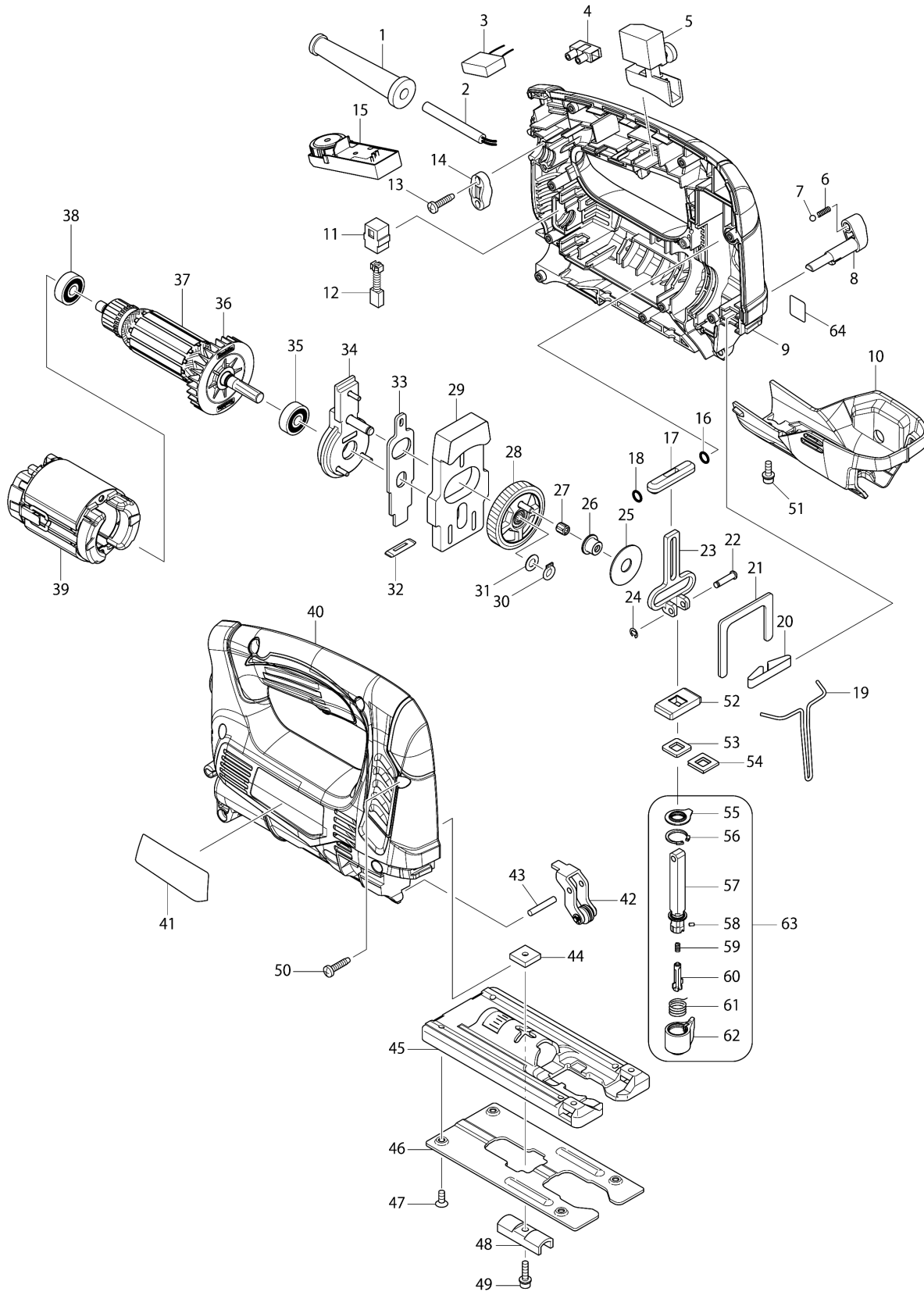


### Model No. JV0600 JIG SAW



## Model No.JV0600 JIG SAW

Položka	Objednávacie číslo	Popis	Zmena	ks	New/Old	Možnosť 1	Možnosť 2	Poznámka
001	682502-4	CORD GUARD 8-85		1				
002	695034-2	POWER SUPPLY CORD 1.0-2-4.0		1				
003	645149-5	NOISE SUPPRESSOR		1				
004	654532-5	TERMINAL BLOCK 1P		1				
005	650202-4	SWITCH SGEL115CDY-8		1				
006	233151-6	COMPRESSION SPRING 4		1				
007	216008-6	STEEL BALL 4		1				
008	272269-8	LEVER 18		1				
009	187163-0	HOUSING SET		1				
C10	263002-9	RUBBER PIN 4		2				
D10		INC. 40						
010	318751-4	HOUSING COVER		1				
011	643552-4	BRUSH HOLDER 5-8		2				
012	191627-8	CARBON BRUSH CB-64		1				
013	265995-6	TAPPING SCREW 4X18		2				
014	687052-4	STRAIN RELIEF		1	*			
014-1	687124-5	STRAIN RELIEF	O	1				
015	620046-6	CONTROLLER		1	*			
015-1	620D42-8	CONTROLLER	S	1				
016	213038-8	O RING 5		1				
017	313082-6	SLIDER GUIDE		1				
018	213038-8	O RING 5		1				
019	326092-4	SAFETY WIRE		1				
020	232183-0	LEAF SPRING		1				
021	346473-6	SLIDER GUIDE PLATE		1				
022	268090-1	PIN 4		1				
023	310484-7	SLIDER		1	*			
023-1	313354-9	SLIDER	<	1				
024	961017-7	STOP RING E-3		1				
025	253180-3	FLAT WASHER 10		1				
026	257804-3	SHOULDER SLEEVE 7		1				
027	212965-6	NEEDLE CAGE 407		1				
028	141026-4	GEAR COMPLETE		1				
029	313216-1	BALANCE PLATE		1				
030	961002-0	RETAINING RING S-6		1				
031	253715-0	FLAT WASHER 6		1				
032	416703-0	DUST SEAL		1				
033	346471-0	PUSH PLATE		1				
034	141029-8	BEARING CASE COMPLETE		1	*			
034-1	144820-3	BEARING CASE COMPLETE	O	1				
035	210005-4	BALL BEARING 608DDW		1				
036	240115-3	FAN 55		1				
037	518871-6	ARMATURE ASS'Y 220V		1				
D10		INC. 35,36,38						

Please order the parts with part number.

Print Date 16/11/2022

## Model No.JV0600 JIG SAW

Položka	Objednávacie číslo	Popis	Zmena	ks	New/Old	Možnosť 1	Možnosť 2	Poznámka
038	210023-2	BALL BEARING 627DDW		1				
039	633789-1	FIELD 240V		1	*			
039-1	639122-5	FIELD 240V	S	1				
040	187163-0	HOUSING SET		1				
C10	263002-9	RUBBER PIN 4		2				
D10		INC. 9						
041	869972-6	JV0600 NAME PLATE		1				
042	141028-0	RETAINER COMPLETE		1				
043	256206-0	PIN 4		1				
044	343540-8	HOLDER		2				
045	317796-9	BASE		1				
046	345441-6	BASE PLATE		1				
047	912107-9	COUNTERSUNK HEAD SCREW M4X8		4				
048	344685-5	CLAMP PLATE		1	*			
048-1	344685-5	CLAMP PLATE	O	1				
049	922138-0	H.S.H.BOLT M4X20 WITH WR		1				
050	265995-6	TAPPING SCREW 4X18		10				
051	922118-6	HEX. SOCKET HEAD BOLT M4X12		1				
052	313215-3	SLIDER SUPPORT		1				
053	424436-3	POLYURETHANE SPONGE SEAL		1				
054	346470-2	SEAL PLATE		1				
055	424437-1	DUST COVER		1				
056	962063-3	RETAINING RING R-13		1				
057	165654-1	ROD		1				
058	256528-8	PIN 2		1				
059	233314-4	COMPRESSION SPRING 4		1				
060	310485-5	LOCK PIN		1				
061	233591-8	TORSION SPRING 10		1				
062	452850-3	INSERT HOLDER		1				
063	135482-8	ROD ASS'Y		1				
D10		INC. 55-62						
A01	A-85628	JIGSAW BLADE NO.B10		1				
A02	783201-2	HEX. WRENCH 3		1				
A03A	824998-5	PLASTIC CARRYING CASE		1				
C10	162315-4	LATCH		2				
C20	452137-3	HANDLE		1				
A03B	821549-5	CONNECTOR PLASTIC CASE (TYPE1)		1				
C10	453974-8	LATCH		4				
A04B	837803-7	INNER TRAY		1				
A05B	800X48-4	JV0600J INDICATION LABEL		1	*			
A05-1B	810C36-7	JV0600J INDICATION LABEL	O	1				
A06A	810C31-7	JV0600K PLASTIC CASE LABEL		2				

Please order the parts with part number.

Print Date 16/11/2022

## Model No.JV0600 JIG SAW

Položka	Objednávacie číslo	Popis	Zmena	ks	New/Old	Možnosť 1	Možnosť 2	Poznámka
A06B	800X49-2	JV0600J PLASTIC CASE LABEL		2	*			
A06-1B	810C37-5	JV0600J PLASTIC CASE LABEL	X	2				
E03	688161-2	LINE FILTER		1				

Please order the parts with part number.

Print Date 16/11/2022