



Makita Werkzeug Ges.m.b.H.

Airportstr. 4, 2401 Fischamend

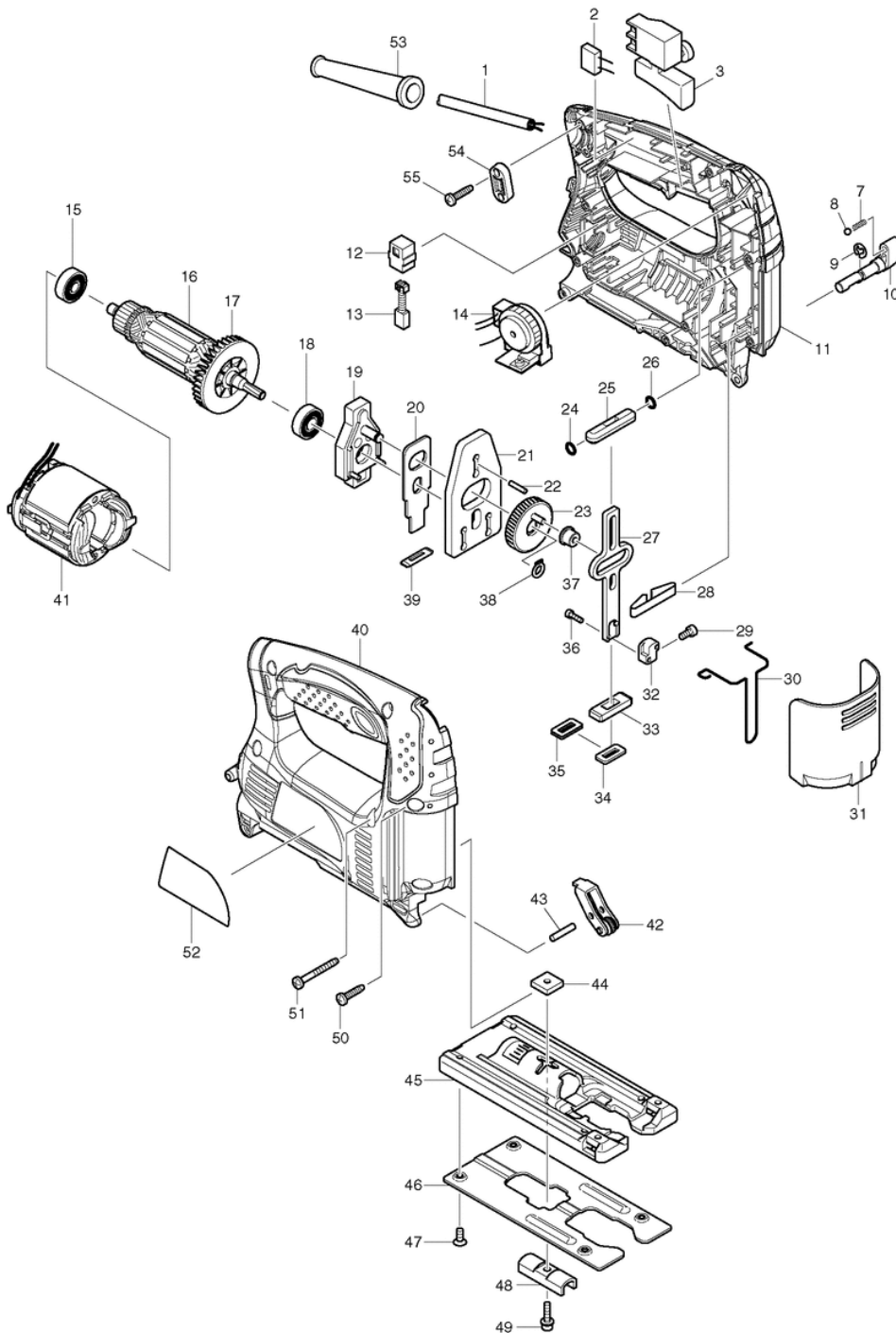
Tel: 02232 / 777 00

Fax: 02232 / 777 00 - 40

Mail: verkauf@makita.at

Web: www.makita.at

Makita Service Information / Model: 4329





Makita Werkzeug Ges.m.b.H.

Airportstr. 4, 2401 Fischamend

Tel: 02232 / 777 00

Fax: 02232 / 777 00 - 40

Mail: verkauf@makita.at

Web: www.makita.at

Makita Service Information / Model: 4329

| POS | Bestell-Nr. | Artikelbeschreibung | Stk. | Stk.Preis |
|------|-------------|------------------------------|------|-----------|
| 1 | 665383-1 | KÁBEL 1.0-2-2.0 HP1630/1631K | 1 | N/A |
| 2 | 645239-4 | NOISE SUPPRESSOR | 1 | N/A |
| 3 | 651286-5 | VYPINAC SGEL206C-5 | 1 | N/A |
| 7 | 233151-6 | PRUŽINA PRÍTLAČNÁ 4 233151-6 | 1 | N/A |
| 8 | 216008-6 | GULKA OCEĽOVÁ 4 | 1 | N/A |
| 9 | 961011-9 | POISTNY KRUZOK E-4 | 1 | N/A |
| 10 | 272239-7 | PÁČKA PREPINACIA 4324 | 1 | N/A |
| 11 | 188338-4 | KRYT MOTORA 4328/29 | 1 | N/A |
| 11 | | *** INC. 40 | | N/A |
| 12 | 643562-1 | DRZIAK UHLIKOV 5-8 | 2 | N/A |
| 12 | 643552-4 | DRZIAK UHLIKOV 5-8 CB64 | 2 | N/A |
| 12.2 | 643552-4 | DRZIAK UHLIKOV 5-8 CB64 | 2 | N/A |
| 13 | 191627-8 | UHLÍKY CB-64 (CB-56/57) | 1 | N/A |
| 14 | 631777-2 | REGULAČNA ELEKTRONIKA | 1 | N/A |
| 15 | 210025-8 | LOŽISKO GULIČKOVÉ 627LLB | 1 | N/A |
| 16 | 515718-5 | KOTVA UPLNA 220 V | 1 | N/A |
| 16 | | *** INC. 15,17,18 | | N/A |
| 17 | 241881-5 | KOLESO VENTILÁTORA 52 | 1 | N/A |
| 18 | 210005-4 | LOŽISKO GULIČKOVÉ 608DDW | 1 | N/A |
| 19 | 152600-3 | PUZDRO LOŽISKA KPL. 4324 | 1 | N/A |
| 20 | 344683-9 | EXCENTR.PLATNIČKA 4324 | 1 | N/A |
| 21 | 344614-8 | VYKYVNA DOSKA 4322/4323/4324 | 1 | N/A |
| 22 | 256254-9 | KOLÍK 3 6830/4322/4323/4324 | 1 | N/A |
| 23 | 153260-4 | OZUBENÉ KOLESO 4324 | 1 | N/A |
| 24 | 213038-8 | O-KRÚŽOK 5 4322/4323/4324 | 1 | N/A |
| 25 | 313082-6 | DOSKA KLZNÁ 4322 | 1 | N/A |
| 26 | 213038-8 | O-KRÚŽOK 5 4322/4323/4324 | 1 | N/A |
| 27 | 344613-0 | TIAHLO EXCENTRA | 1 | N/A |
| 28 | 232183-0 | PERO LISTOVÉ 4324 | 1 | N/A |
| 29 | 922107-1 | IMBUSOVA SKRUTKA M4x8 | 1 | N/A |
| 30 | 323748-0 | KRYT OCHRANNÝ 4322/4323/4324 | 1 | N/A |
| 31 | 416476-5 | KRYT OCHRANNÝ 4322/4323/4324 | 1 | N/A |
| 32 | 313140-8 | DRŽIAK NOŽA 4326-29 | 1 | N/A |
| 33 | 313086-8 | DOSKA KLZNÁ | 1 | N/A |
| 34 | 423307-1 | TESNENIE 4322 | 1 | N/A |
| 35 | 344686-3 | PLATNIČKA TESNIACA 4324 | 1 | N/A |
| 36 | 266177-3 | SKRUTKA IMBUSOVÁ M3x10 | 2 | N/A |
| 37 | 257683-9 | PÚZDRO 4322/4323/4324 | 1 | N/A |
| 38 | 961002-0 | POISTNY KRUZOK S-6 | 1 | N/A |
| 39 | 416703-0 | PLATNIČKA 4324 | 1 | N/A |



Makita Werkzeug Ges.m.b.H.

Airportstr. 4, 2401 Fischamend

Tel: 02232 / 777 00

Fax: 02232 / 777 00 - 40

Mail: verkauf@makita.at

Web: www.makita.at

Makita Service Information / Model: 4329

| POS | Bestell-Nr. | Artikelbeschreibung | Stk. | Stk.Preis |
|--------|-------------|------------------------------------|------|-----------|
| 40 | 188338-4 | KRYT MOTORA 4328/29 | 1 | N/A |
| 40 | | *** INC. 11 | | N/A |
| 41 | 633658-6 | STATOR 220-240V 4326-29 | 1 | N/A |
| 42 | 158392-2 | VODIACA KLADKA 4328/4329 | 1 | N/A |
| 43 | 256117-9 | KOLÍK 4 4324/4340CT-4341FCT | 1 | N/A |
| 44 | 343540-8 | DRZIAK 4320/4322/4323/4324 | 1 | N/A |
| 45 | 317796-9 | DOSKA ZÁKL. | 1 | N/A |
| 46 | 345441-6 | DOSKA ZÁKLADNÁ 4329 | 1 | N/A |
| 47 | 912107-9 | SKRUTKA SO ZAP.HLAVOU M4x82615 | 4 | N/A |
| 48 | 344685-5 | PLATNIČKA UPÍNACIA 4324 | 1 | N/A |
| 49 | 922128-3 | IMBUSOVA SKRUTKA M4x16 neu | 1 | N/A |
| 50 | 265995-6 | SKRUTKA SAMOREZNÁ 4x18 | 9 | N/A |
| 51 | 266053-1 | SKRUTKA SAMOREZNÁ 4x35 | 1 | N/A |
| 52 | 863970-2 | NAME PLATE 4329 | 1 | N/A |
| 53 | 682569-2 | CHRÁNIČ ŠNÚRY MT601/811/952/953 | 1 | N/A |
| 53 | 682502-4 | CHRANIC SNURY 8-85 | 1 | N/A |
| 53.2 | 682502-4 | CHRANIC SNURY 8-85 | 1 | N/A |
| 54 | 687124-5 | DRŽIAK KÁBLA MT240/953T955 | 1 | N/A |
| 54 | 687124-5 | DRŽIAK KÁBLA MT240/953T955 | 1 | N/A |
| 54.2 | 687052-4 | DRŽIAK KÁBLA | 1 | N/A |
| 54.3 | 687124-5 | DRŽIAK KÁBLA MT240/953T955 | 1 | N/A |
| 55 | 265995-6 | SKRUTKA SAMOREZNÁ 4x18 | 2 | N/A |
| 1001 | 792538-6 | JIG SAW BLADE B-10 | 1 | N/A |
| 1001 | A-85628 | JIGSAW BLADE NO.B10 | 1 | N/A |
| 1001.2 | A-85628 | JIGSAW BLADE NO.B10*** AEPD-010/96 | 1 | N/A |
| 1002 | 783201-2 | HEX. WRENCH 3 | 1 | N/A |
| 1003 | 821549-5 | CONNECTOR PLASTIC CASE (TYPE1) | 1 | N/A |
| 1004 | 837803-7 | INNER TRAY | 1 | N/A |
| 1005 | 800X28-0 | 4329J INDICATION LABEL | 1 | N/A |
| 1006 | 800X29-8 | 4329J PLASTIC CASE LABEL | 2 | N/A |