



Makita Werkzeug Ges.m.b.H.

Airportstr. 4, 2401 Fischamend

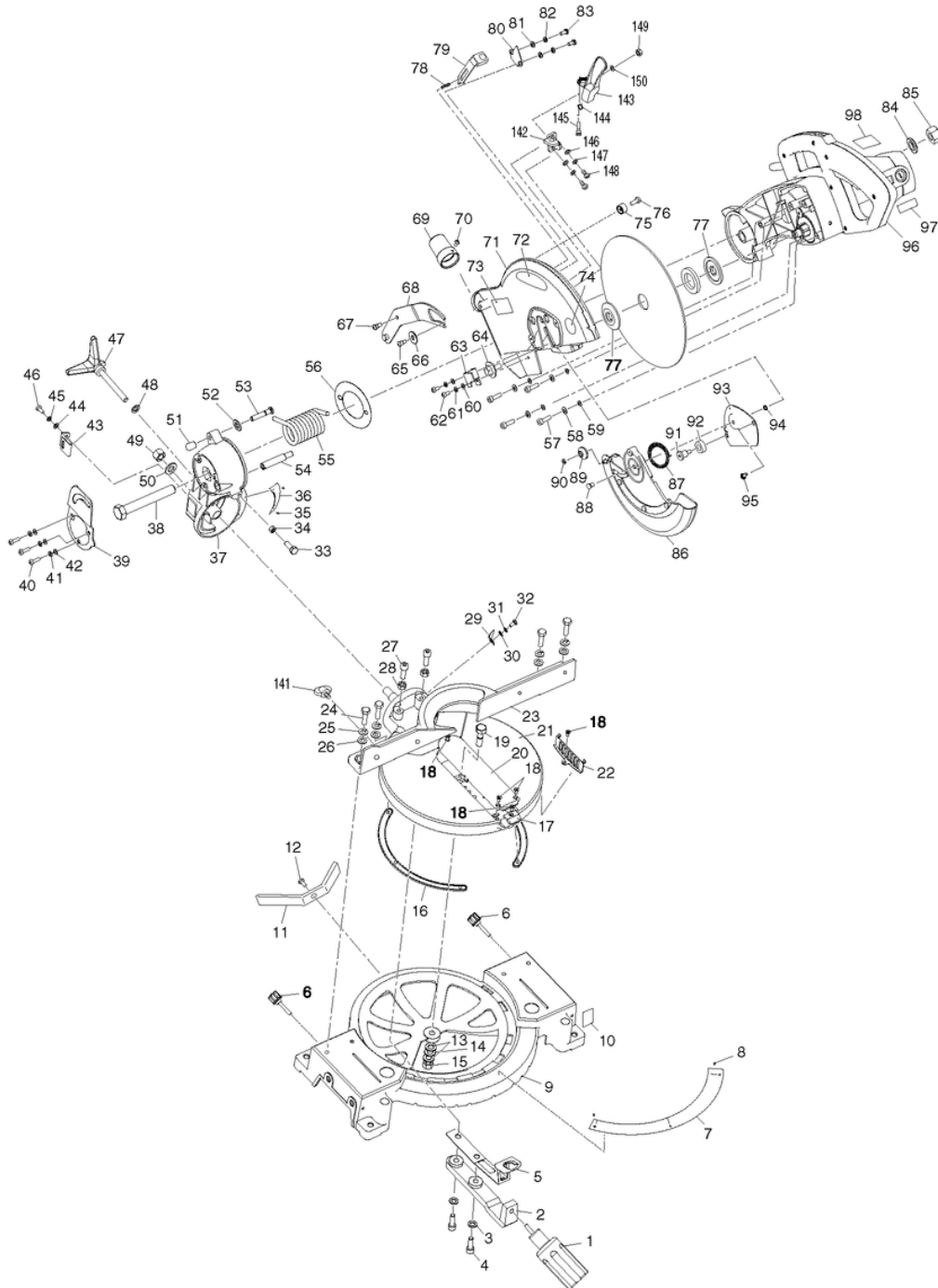
Tel: 02232 / 777 00

Fax: 02232 / 777 00 - 40

Mail: verkauf@makita.at

Web: www.makita.at

Makita Service Information / Model: MLS100





Makita Werkzeug Ges.m.b.H.

Airportstr. 4, 2401 Fischamend

Tel: 02232 / 777 00

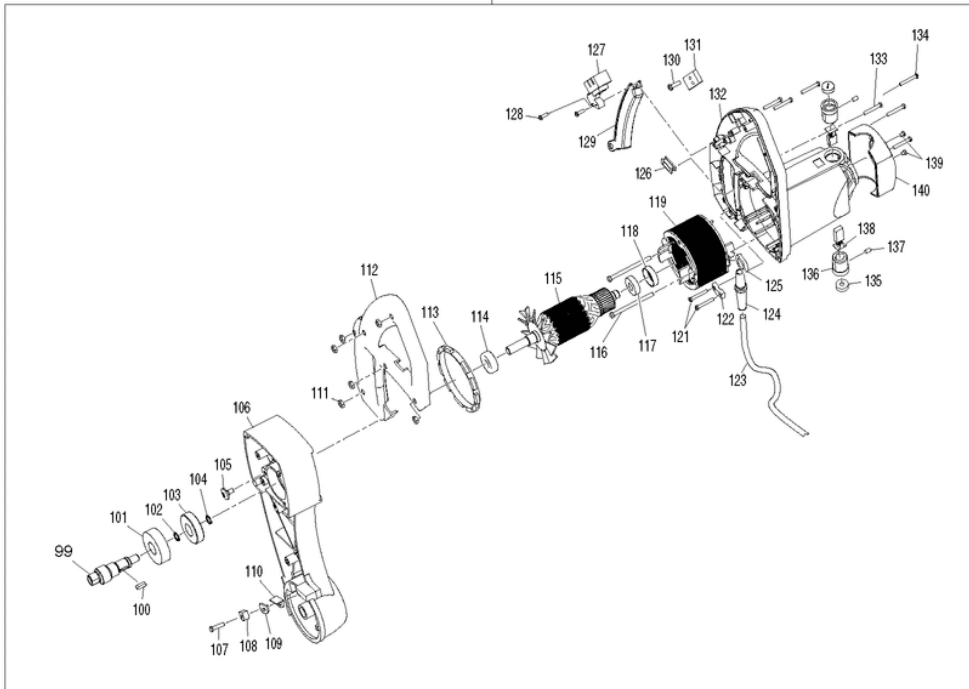
Fax: 02232 / 777 00 - 40

Mail: verkauf@makita.at

Web: www.makita.at

Makita Service Information / Model: MLS100

96





Makita Werkzeug Ges.m.b.H.

Airportstr. 4, 2401 Fischamend

Tel: 02232 / 777 00

Fax: 02232 / 777 00 - 40

Mail: verkauf@makita.at

Web: www.makita.at

Makita Service Information / Model: MLS100

POS	Bestell-Nr.	Artikelbeschreibung	Stk.	Stk.Preis
1	JM23000001	RÚČKA MLS 100	1	N/A
2	JM23000002	DRŽIAK MLS100	1	N/A
3	JM23000003	SPRING WASHER 8	2	N/A
4	JM23000004	HEX. SOCKET HEAD BOLT M8x20	2	N/A
5	JM23000005	DRŽIAK UHOLNÍKA	1	N/A
5.2	JM23000200	KNOCK SPRING SET	1	N/A
5.2		*** INC. 152,153		N/A
6	JM23000006	Lock knob for ext. wings	2	N/A
7	JM23000007	MIERKA UHLOV MLS100	1	N/A
8	JM23000008	NIT MLS100	2	N/A
9	JM23000009	ZÁKL.DOSKA MLS100	1	N/A
9		*** INC. 7,8,10		N/A
10	810965-6	CAUTION LABEL	1	N/A
11	JM23000011	BASE SUPPORTER	1	N/A
12	JM23000012	Screw	1	N/A
13	JM23000013	FLAT WASHER 10	2	N/A
14	JM23000014	SADDLE SHAPE WASHER	1	N/A
15	JM23000015	Anti-loose nut M10	1	N/A
16	JM23000016	SLIDE PLATE	2	N/A
17	JM23000017	MITER ANGLE POINTER	1	N/A
18	JM23000018	COUNTERSUNK HEAD SCREW M4x10	5	N/A
19	JM23000019	Pivot	1	N/A
20	JM23000141	PLATŇA MLS 100	1	N/A
21	JM23000021	TURN BASE COMPLETE	1	N/A
22	JM23000022	Protection net	1	N/A
23	JM23000023	PARALELNÝ DORAZ MLS 100	1	N/A
23.2	JM23000204	PARALLELANSCHLAG MLS100	1	N/A
24	JM23000024	HEX. BOLT M8x30	4	N/A
25	JM23000003	SPRING WASHER 8	4	N/A
26	JM23000026	FLAT WASHER 8	4	N/A
27	JM23000027	HEX. BOLT M8x20	2	N/A
28	JM23000028	HEX. NUT M8	2	N/A
29	JM23000029	BEVEL POINTER	1	N/A
30	JM23000030	FLAT WASHER 5	1	N/A
31	JM23000031	SPRING WASHER 5	1	N/A
32	JM23000032	Pan head screw M5x10	1	N/A
33	JM23000033	HEX. BOLT M8x16	1	N/A
34	JM23000028	HEX. NUT M8	1	N/A
35	JM23000034	Rivet	2	N/A
36	JM23000035	Scale label	1	N/A



Makita Werkzeug Ges.m.b.H.

Airportstr. 4, 2401 Fischamend

Tel: 02232 / 777 00

Fax: 02232 / 777 00 - 40

Mail: verkauf@makita.at

Web: www.makita.at

Makita Service Information / Model: MLS100

POS	Bestell-Nr.	Artikelbeschreibung	Stk.	Stk.Preis
37	JM23000036	KĽB OTOČNÝ MLS100	1	N/A
37		*** INC. 35,36		N/A
38	JM23000037	Shaft	1	N/A
39	JM23000038	DOSKA ZDVÍHACIA MLS100	1	N/A
40	JM23000039	Pan head screw M6x16	3	N/A
41	JM23000040	SPRING WASHER 6	3	N/A
42	JM23000041	FLAT WASHER 6	3	N/A
43	JM23000042	Clip	1	N/A
44	JM23000030	FLAT WASHER 5	1	N/A
45	JM23000031	SPRING WASHER 5	1	N/A
46	JM23000032	Pan head screw M5x10	1	N/A
47	JM23000143	SKRUTKA MLS100	1	N/A
48	JM23000013	FLAT WASHER 10	1	N/A
49	JM23000044	Anti-loose nut M12	1	N/A
50	JM23000045	FLAT WASHER 12	1	N/A
51	JM23000046	KRYTKA KOLÍKA	1	N/A
52	JM23000047	O-KRÚŽOK	1	N/A
53	JM23000048	KOLÍK	1	N/A
54	JM23000049	Limit pin	1	N/A
55	JM23000050	PRUŽINA MLS100	1	N/A
56	JM23000051	Ring	1	N/A
57	JM23000052	HEX. SOCKET HEAD BOLT M6x20	4	N/A
58	JM23000040	SPRING WASHER 6	4	N/A
59	JM23000041	FLAT WASHER 6	4	N/A
60	JM23000030	FLAT WASHER 5	2	N/A
61	JM23000031	SPRING WASHER 5	2	N/A
62	JM23000032	Pan head screw M5x10	2	N/A
63	JM23000053	Plate	1	N/A
64	JM23000054	SKRUTKA MLS100	1	N/A
65	JM23000055	SKRUTKA M5 MLS100	1	N/A
66	JM23000056	PODLOŽKA VYMEDZOVACIA MLS100	1	N/A
67	JM23000057	SKRUTKA M6 MLS100	1	N/A
68	JM23000058	TIAHLO KRYTU KOTÚČA MLS100	1	N/A
69	JM23000059	ADAPTÉR ODSÁVACÍ MLS100	1	N/A
69.2	JM23000178	DUST NOZZLE	1	N/A
70	JM23000060	Pan head screw M4	1	N/A
70.2	JM23000060	Pan head screw M4	2	N/A
71	JM23000146	KRYT KOTÚČA	1	N/A
71		*** INC. 72-74		N/A
71.2	JM23000180	BLADE CASE COMP.	1	N/A



Makita Werkzeug Ges.m.b.H.

Airportstr. 4, 2401 Fischamend

Tel: 02232 / 777 00

Fax: 02232 / 777 00 - 40

Mail: verkauf@makita.at

Web: www.makita.at

Makita Service Information / Model: MLS100

POS	Bestell-Nr.	Artikelbeschreibung	Stk.	Stk.Preis
71.2		*** INC. 72-74		N/A
72	JM23080002	MAKITA LABEL	1	N/A
73	817667-5	CAUTION LABEL	1	N/A
74	810968-0	CAUTION LABEL	1	N/A
75	JM23000063	Limit ring	1	N/A
76	JM23000064	Screw	1	N/A
77	JM23000065	Flange	2	N/A
78	JM23000066	LOCK SPRING	1	N/A
79	JM23000067	Shaft Lock	1	N/A
80	JM23000068	Cover	1	N/A
81	JM23000030	FLAT WASHER 5	2	N/A
82	JM23000031	SPRING WASHER 5	2	N/A
83	JM23000069	Pan head screw M5x12	2	N/A
84	JM23000070	FLAT WASHER 16	1	N/A
85	JM23000071	Anti-loose nut M16	1	N/A
86	JM23000072	KRYT OCHRANNÝ	1	N/A
87	JM23000073	PRUŽINA	1	N/A
88	JM23000074	SKRUTKA M6x10	1	N/A
89	JM23000075	PODLOŽKA PLAST.MLS100	1	N/A
90	JM23000076	PODLOŽKA MLS100	1	N/A
91	JM23000077	VALČEK STOP.	1	N/A
92	JM23000078	PÚZDRO GUMENNÉ	1	N/A
93	JM23000079	PLATNIČKA FIXAČNÁ MLS100	1	N/A
94	JM23000080	MATICA S POISTKOU M6	1	N/A
95	JM23000081	SKRUTKA M5	1	N/A
97	810964-8	CAUTION LABEL	1	N/A
98	JM23080055	NAME PLATE MLS100	1	N/A
99	JM23000084	OSKA MLS 100	1	N/A
100	JM23000085	KLIN MLS 100	1	N/A
101	JM23000086	LOŽISKO GUĽ.6304-RZ	1	N/A
102	JM23000087	KRÚŽOK ZAIST. MLS 100	1	N/A
103	JM23000088	OZUB.KOLO MLS 100	1	N/A
104	JM23000089	KRÚŽOK ZAISTĚ.	1	N/A
105	JM23000090	SKRUTKA M6 MLS100	1	N/A
106	JM23000091	KRYT PREVODOVKY	1	N/A
107	JM23000092	Pan head screw M5x20	1	N/A
108	JM23000093	IZOLÁTOR	1	N/A
109	JM23000094	Limit pad	1	N/A
110	JM23000095	Adjust pad	1	N/A
111	JM23000096	HEX. NUT M4	6	N/A



Makita Werkzeug Ges.m.b.H.

Airportstr. 4, 2401 Fischamend

Tel: 02232 / 777 00

Fax: 02232 / 777 00 - 40

Mail: verkauf@makita.at

Web: www.makita.at

Makita Service Information / Model: MLS100

POS	Bestell-Nr.	Artikelbeschreibung	Stk.	Stk.Preis
112	JM23000195	HANDLE COVER	1	N/A
112.2	JM23000149	KRYT RÚČKY MLS100	1	N/A
113	JM23000098	PRÍRUBA	1	N/A
114	JM23000099	LOŽISKO 6201Z MLS100	1	N/A
115	JM23000100	KOTVA ÚPLNÁ 220V MLS 100	1	N/A
115		*** INC. 114,117		N/A
116	JM23000101	SKRUTKA ST4.8x7	2	N/A
117	JM23000102	LOŽISKO GULIČKOVÉ 6001Z MLS100	1	N/A
118	JM23000103	KRÚŽOK GUMENNÝ	1	N/A
119	JM23000104	STATOR MLS 100	1	N/A
119		*** INC. 120		N/A
120	JM23000105	condenser	2	N/A
120.2	JM23000105	condenser	1	N/A
121	JM23000106	SELF TAPPING SCREW ST4.2x12	2	N/A
122	JM23000107	DRŽIAK KÁBLA MLS100	1	N/A
123	JM23000156	POWER SUPPLY CORD	1	N/A
124	JM23000109	CORD GUARD	1	N/A
125	JM23000110	NOISE SUPPRESSOR	1	N/A
126	JM23000111	ZÁPADKA MLS100	1	N/A
127	JM23000112	VYPINAC MLS 100	1	N/A
128	JM23000113	SKRUTKA ST3x8	2	N/A
129	JM23000114	VYPINAČ PAČKA	1	N/A
130	JM23000115	SELF TAPPING SCREW ST4.2x12	2	N/A
131	JM23000116	TERMINAL BASE	1	N/A
132	JM23000194	MOTOR HOUSING COMP.	1	N/A
132		*** INC. 97,136,137		N/A
132.2	JM23000151	KRYT MOTORA+RÚČKA	1	N/A
132.2		*** INC. 97,136,137		N/A
133	JM23000118	Pan head screw M4x30	6	N/A
134	JM23000119	SELF TAPPING SCREW	1	N/A
135	JM23000120	DRŽIAK UHLÍKA	2	N/A
136	JM23000121	DRŽIAK UHLÍKOV MLS100	2	N/A
137	JM23000122	SKRUTKA IMBUS M5x8 MLS100	2	N/A
138	JM23000123	UHLÍKY MLT/MLS100 CB-500	1	N/A
139	JM23000124	SELF TAPPING SCREW ST5.2x12	2	N/A
140	JM23000125	KRYT VENTILÁTORA MLS100	1	N/A
141	JM23000126	WING BOLT	1	N/A
142	JM23000132	DRŽIAK MLS100	1	N/A
143	JM23000133	Lock lever	1	N/A
144	JM23000134	Spring	1	N/A



Makita Werkzeug Ges.m.b.H.

Airportstr. 4, 2401 Fischamend

Tel: 02232 / 777 00

Fax: 02232 / 777 00 - 40

Mail: verkauf@makita.at

Web: www.makita.at

Makita Service Information / Model: MLS100

POS	Bestell-Nr.	Artikelbeschreibung	Stk.	Stk.Preis
145	JM23000135	Screw M5	1	N/A
146	JM23000136	FLAT WASHER 4	2	N/A
147	JM23000137	SPRING WASHER 4	2	N/A
148	JM23000138	Pan head screw M4x8	2	N/A
149	JM23000139	Anti-loose nut M5	1	N/A
150	JM23000030	FLAT WASHER 5	1	N/A
151	JM23000183	CAPACITOR	1	N/A
152	JM23000185	Lock lever	1	N/A
153	JM23000005	DRŽIAK UHOLNÍKA	1	N/A
1001	JM23000127	HOLDER SET	2	N/A
1002	JM23000128	Set Plate	2	N/A
1003	JM23000129	WING BOLT	1	N/A
1004	JM23000130	WRENCH	1	N/A
1005	JM23000131	WISE ASS'Y	1	N/A
1006	122523-9	DUST BAG ASS'Y	1	N/A
1006.2	122852-0	DUST BAG ASS'Y	1	N/A
1007	762001-3	TRIANGULAR RULE	1	N/A
5001	JM23010001	SUB FENCE COMPLETE	1	N/A
5002	JM23000201	COUNTERSUNK HEAD SCREW M6X25	1	N/A
5003	JM23100110	LOCK NUT M6	1	N/A
5004	JM23000202	FIX PLATE	1	N/A
5005	JM23100033	Cross Head Screw M4x12	1	N/A
5006	JM23000137	SPRING WASHER 4	1	N/A
5007	JM23100071	THIN FLAT WASHER 6	1	N/A