



Makita Werkzeug Ges.m.b.H.

Airportstr. 4, 2401 Fischamend

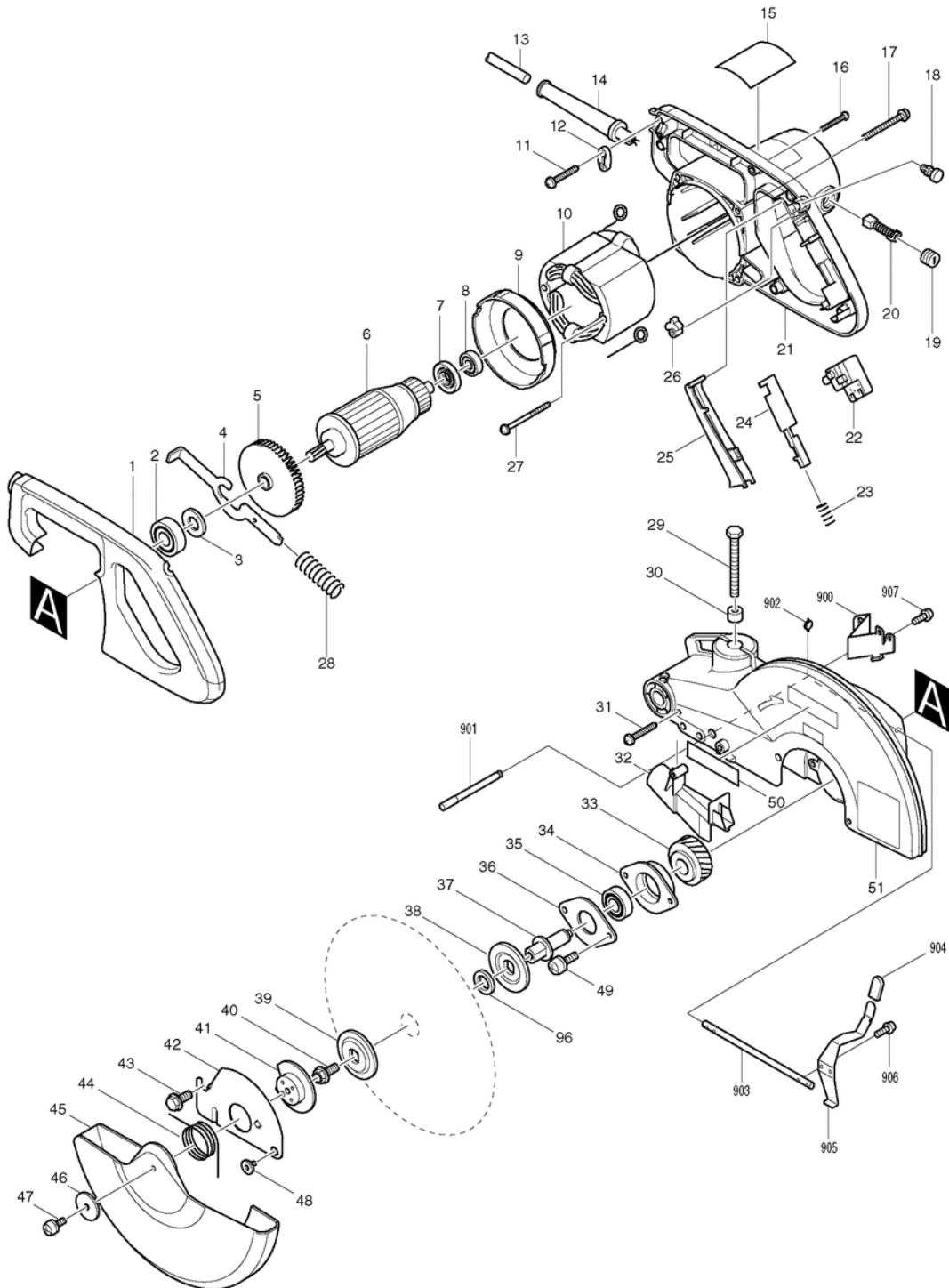
Tel: 02232 / 777 00

Fax: 02232 / 777 00 - 40

Mail: verkauf@makita.at

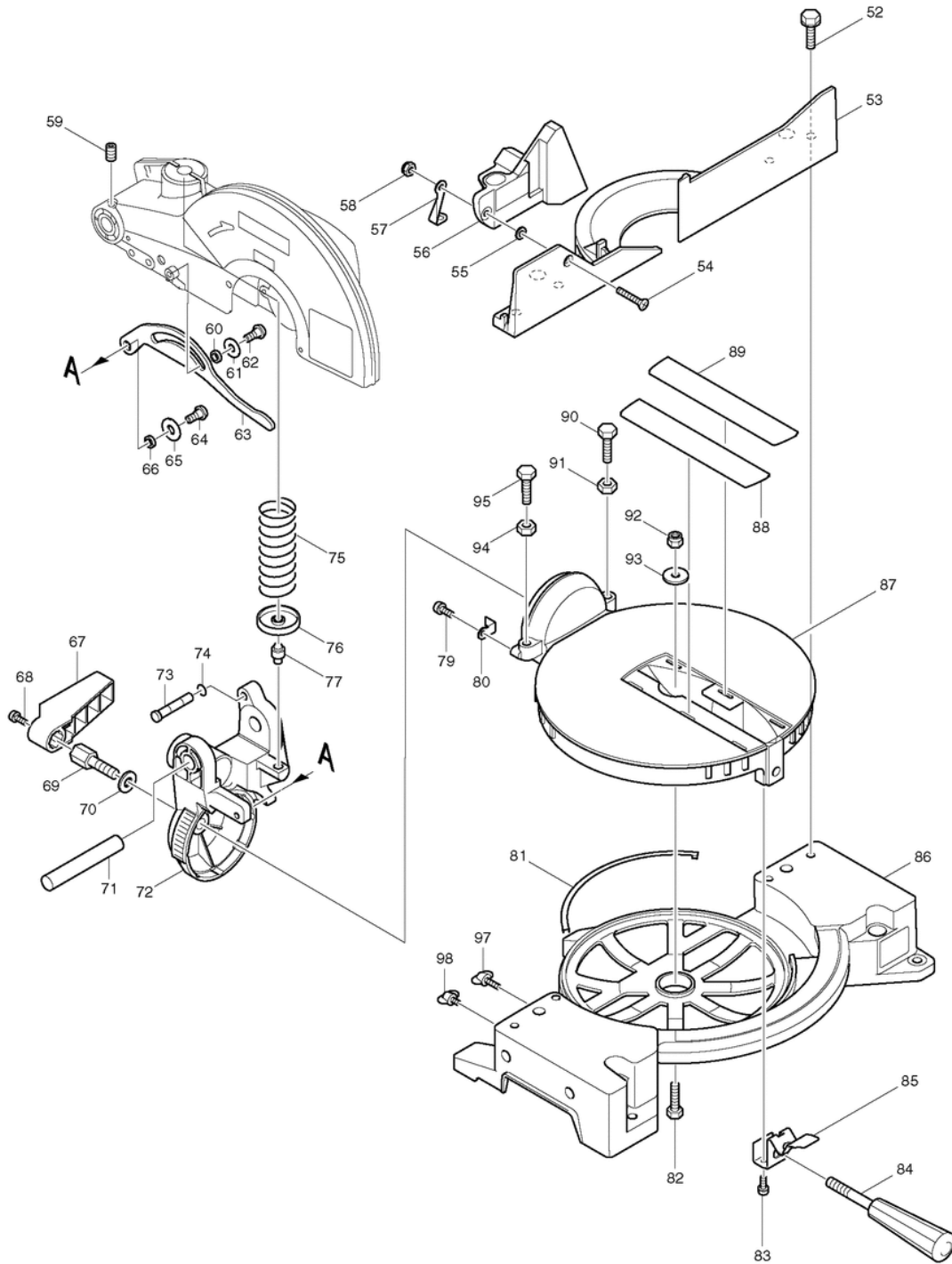
Web: www.makita.at

Makita Service Information / Model: LS1040





Makita Service Information / Model: LS1040





Makita Werkzeug Ges.m.b.H.

Airportstr. 4, 2401 Fischamend

Tel: 02232 / 777 00

Fax: 02232 / 777 00 - 40

Mail: verkauf@makita.at

Web: www.makita.at

Makita Service Information / Model: LS1040

POS	Bestell-Nr.	Artikelbeschreibung	Stk.	Stk.Preis
1	416004-6	KRYT RUKOVĀTE LS1040/F	1	N/A
2	211206-7	LOŽISKO GULIČKOVÉ 6202LLB	1	N/A
3	253853-8	PODLOŽKA 15 LS1040	1	N/A
3.2	267280-3	FLAT WASHER 15 new	1	N/A
4	343641-2	ARETACIA VRETENA LS1030/40/F	1	N/A
5	241909-9	FAN 80	1	N/A
6	516718-8	KOTVA UPLNA 220 V LS1040/F 804	1	N/A
6		*** INC. 2,3,5,7,8		N/A
7	681640-9	IZOLACNA PODLOZKA	1	N/A
8	211061-7	LOŽISKO GULIČKOVÉ 6000LLB	1	N/A
9	416442-2	DOSKA ODKLONU VZDUCHU LS1040/F	1	N/A
10	526068-3	STATOR 220 V LS1040	1	N/A
11	265995-6	SKRUTKA SAMOREZNÁ 4x18	2	N/A
12	687063-9	ODLAHCENIE TAHU SNURY	1	N/A
12.2	687052-4	DRŽIAK KÁBLA	1	N/A
13	665865-3	KÁBEL N5900BITD101	1	N/A
14	682540-6	CHRANIC SNURY 9,3-90	1	N/A
15	851559-8	NAME PLATE LS1040	1	N/A
16	265995-6	SKRUTKA SAMOREZNÁ 4x18	5	N/A
17	911383-2	SKRUTKA M6x60 911383-2	4	N/A
18	411478-6	ODBLOKOVACIE TLACIDLO	1	N/A
19	643650-4	VIECKO DRZIACA UHLIKOV 6,5x18	2	N/A
20	181044-0	UHLÍKY CB-153 (CB-152) 1200	1	N/A
21	150786-7	KRYT MOTORA KPL LS1040	1	N/A
21.2	153794-7	MOTOR HOUSING COMPLETE new	1	N/A
21.3	154561-3	KRYT MOTORA+RÚČKA LS1040	1	N/A
22	651923-1	VYPINAC TG70B 5903R/5103R/LS	1	N/A
23	231457-6	PRUŽINA PRÍTLAČNÁ 3 UH4510A	1	N/A
24	416000-4	ODBLOKOVACIA PACKA LS1013/40F	1	N/A
25	415999-0	PACKA VYPINACA LS1013/1040F	1	N/A
26	414546-4	VACKA VYPINACA LS1013/1040F	1	N/A
27	266029-8	SKRUTKA SAMOREZNÁ 5x65	2	N/A
28	231297-2	PRUŽINA 9 LS1030/1040F/LH	1	N/A
29	251667-9	HEX. BOLT M8x75	1	N/A
30	262511-5	KRÚŽOK GUMENNÝ 6	1	N/A
31	265995-6	SKRUTKA SAMOREZNÁ 4x18	1	N/A
32	416007-0	DEFLEKTOR	1	N/A
32.2	453695-2	GUIDE COVER	1	N/A
33	226465-0	KOLESO OZUBENÉ 42 LS1040/F	1	N/A
34	316821-3	MEDZIKUS LS/LH/1040/F	1	N/A



Makita Werkzeug Ges.m.b.H.

Airportstr. 4, 2401 Fischamend

Tel: 02232 / 777 00

Fax: 02232 / 777 00 - 40

Mail: verkauf@makita.at

Web: www.makita.at

Makita Service Information / Model: LS1040

POS	Bestell-Nr.	Artikelbeschreibung	Stk.	Stk.Preis
35	211256-2	LOŽISKO GULIČKOVÉ 6203LLB 783	1	N/A
36	285685-5	PODLOŽKA 64 LS/LH/1040/F	1	N/A
37	322865-3	OSKA LS/LH/1040/F	1	N/A
38	224333-1	PRÍRUBA 53 LS1013/1040/F	1	N/A
39	224333-1	PRÍRUBA 53 LS1013/1040/F	1	N/A
40	265355-2	SKRUTKA M8x20 LS1013	1	N/A
41	343639-9	DRZIAK CHRANICA LS1040F/LS1013	1	N/A
42	344380-7	STREDNE VEKO LS1040/F	1	N/A
43	265324-3	SKRUTKA M8x12	1	N/A
44	231593-8	PRUŽINA TORZNÁ 36 LS1040/F/30	1	N/A
45	416003-8	VYKYVNY OCHRANNY KRYT LS1040/F	1	N/A
46	267136-0	PODLOŽKA 5	1	N/A
47	911213-7	SKRUTKA M5x12	1	N/A
48	265985-9	SKRUTKA SAMOREZNÁ M6	1	N/A
49	911223-4	SKRUTKA M5x16	2	N/A
50	819064-1	MAKITA MARK	1	N/A
51	151490-1	KRYT PILOVÉHO KOTÚČA LS1040/F	1	N/A
51.2	151490-1	KRYT PILOVÉHO KOTÚČA LS1040/F	1	N/A
51.3	154560-5	KRYT KOTÚČA-RAMENO LS1040F	1	N/A
51.4	188330-0	KRYT KOTÚČA -RAMENO	1	N/A
51.4		*** INC.E22		N/A
51.5	188330-0	KRYT KOTÚČA -RAMENO	1	N/A
51.5		*** INC.E22		N/A
51.6	140655-0	BLADE CASE COMPLETE	1	N/A
51.7	141570-1	RAMENO PÍLY LS1040/F	1	N/A
52	921451-3	HEX. BOLT M8X30	4	N/A
52.2	265488-3	SKRUTKA ŠEŠŤHRANNÁ M8x30 LS1040F/L	4	N/A
53	316826-3	PARALELNY DORAZ LS1040/F	1	N/A
53.2	316826-3	PARALELNY DORAZ LS1040/F	1	N/A
53.3	318847-1	GUIDE RULE	1	N/A
54	912342-9	COUNTERSUNK HEAD SCREW M6x25	1	N/A
55	253715-0	PODLOŽKA 6	1	N/A
56	150760-5	DOSKA DORAZU LS1040/F	1	N/A
56.2	150760-5	DOSKA DORAZU LS1040/F	1	N/A
56.3	154559-0	PLATŇA-DORAZ LS1040	1	N/A
56.4	142816-8	SUB FENCE COMPLETE	1	N/A
57	344476-4	SUB FENCE PLATE	1	N/A
58	252014-7	MATICA POISTNÁ M6-10	1	N/A
59	251961-9	HEX. SOCKET HEAD BOLT M6x10	1	N/A
60	257162-7	KRÚŽOK 7	1	N/A



Makita Werkzeug Ges.m.b.H.

Airportstr. 4, 2401 Fischamend

Tel: 02232 / 777 00

Fax: 02232 / 777 00 - 40

Mail: verkauf@makita.at

Web: www.makita.at

Makita Service Information / Model: LS1040

POS	Bestell-Nr.	Artikelbeschreibung	Stk.	Stk.Preis
61	253823-7	PODLOŽKA 7	1	N/A
62	265984-1	SKRUTKA INBUISOVÁ M6	1	N/A
63	344377-6	KLBOVA DOSKA LS1040/F	1	N/A
64	265984-1	SKRUTKA INBUISOVÁ M6	1	N/A
65	253823-7	PODLOŽKA 7	1	N/A
66	257162-7	KRÚŽOK 7	1	N/A
67	416006-2	ZVIERACIA PACKA 100	1	N/A
68	911113-1	SKRUTKA M4x10	1	N/A
69	265437-0	HEX. BOLT M10	1	N/A
70	253024-7	PODLOŽKA 10 253024-7	1	N/A
71	256836-7	ROD 16	1	N/A
72	150664-1	RAMENO KPL. LS1040/F	1	N/A
72.2	150664-1	RAMENO KPL. LS1040/F	1	N/A
72.3	154463-3	DRŽIAK RAMENA LS/LH/1040/F	1	N/A
73	322317-4	KOLÍK FIXAČNÝ LS1040/F	1	N/A
74	213021-5	O-KRÚŽOK 5	1	N/A
75	233152-4	PRUŽINA PRÍTLAČNÁ 28 LS1040/F	1	N/A
76	343638-1	SPRING HOLDER	1	N/A
76.2	344464-1	PODLOŽKA LS/LH/1040/F	1	N/A
77	256260-4	PIN 8	1	N/A
77.2	256280-8	ŠTIFT 8 LS/LH/1040/F	1	N/A
79	911113-1	SKRUTKA M4x10	1	N/A
80	344385-7	POINTER	1	N/A
81	343799-7	KLZNA DOSKA LS1040/F	3	N/A
82	921452-1	HEX. BOLT M8x30	1	N/A
83	911213-7	SKRUTKA M5x12	2	N/A
84	273495-2	GRIP 32	1	N/A
85	344381-5	KNOCK SPRING	1	N/A
86	150759-0	ZÁKLADNÁ DOSKA KPL. LS1040/F 1616	1	N/A
86.2	150759-0	ZÁKLADNÁ DOSKA KPL. LS1040/F 1616	1	N/A
86.3	154558-2	BASE COMPLETE	1	N/A
87	316824-7	TANIER ZAKL. LS/LH/1040/F	1	N/A
87.2	316824-7	TANIER ZAKL. LS/LH/1040/F	1	N/A
88	416001-2	STRBINOVA DOSKA LS1040/F	1	N/A
89	416001-2	STRBINOVA DOSKA LS1040/F	1	N/A
90	921452-1	HEX. BOLT M8x30	1	N/A
91	931402-8	MATICA M8	1	N/A
92	252105-4	MATICA M8-13	1	N/A
93	253762-1	FLAT WASHER 8	1	N/A
94	931402-8	MATICA M8	1	N/A



Makita Werkzeug Ges.m.b.H.

Airportstr. 4, 2401 Fischamend

Tel: 02232 / 777 00

Fax: 02232 / 777 00 - 40

Mail: verkauf@makita.at

Web: www.makita.at

Makita Service Information / Model: LS1040

POS	Bestell-Nr.	Artikelbeschreibung	Stk.	Stk.Preis
95	921452-1	HEX. BOLT M8x30	1	N/A
96	257137-6	KRÚŽOK 16 LS1013/LS1040/F	1	N/A
96.2	257262-3	KRÚŽOK 16 LS/LH/PÍLY	1	N/A
97	251887-5	SKRUTKA KRÍDLOVÁ M6x10	1	N/A
98	265708-5	SCREW M6x20	2	N/A
98.2	911333-7	SKRUTKA M6x20	2	N/A
900	344572-8	LOCK PLATE	1	N/A
901	323720-2	KOLÍK 8 LS1040/F	1	N/A
901.2	326176-8	LOCK PIN 8	1	N/A
902	231633-2	PRUŽINA TORZNÁ LS1040/1214/F	1	N/A
903	323721-0	TIAHLO 8 LS1040/F	1	N/A
904	421589-9	KRYTKA	1	N/A
905	344573-6	LOCK LEVER	1	N/A
905.2	345803-8	LOCK LEVER new	1	N/A
905.3	346619-4	LOCK LEVER new	1	N/A
906	911113-1	SKRUTKA M4x10	2	N/A
907	911113-1	SKRUTKA M4x10	2	N/A
908	424018-1	SUB LEVER new	1	N/A
1001	411478-6	ODBLOKOVACIE TLACIDLO	2	N/A
1002	762001-3	TRIANGULAR RULE	1	N/A
1003	782212-4	SOCKET WRENCH 13	1	N/A
1004	122523-9	DUST BAG ASS'Y	1	N/A
1004.2	122852-0	DUST BAG ASS'Y	1	N/A
1005	122531-0	SUB PLATE ASS'Y	1	N/A
1005.2	193471-9	SUB PLATE ASS'Y	1	N/A
1005.3	195934-1	GUIDE RULE	1	N/A
1006	122536-0	WISE ASS'Y	1	N/A
1007	257022-3	KRÚŽOK 16 LS1030/1040	1	N/A
1008	322312-4	HOLDER	2	N/A
1008.2	123101-8	HOLDER ASSEMBLY	2	N/A
5002	645105-5	ODRUSOVACI KONDENZATOR	1	N/A
5005	651941-9	VYPINAC V-15-2A5	1	N/A
5018	A-80961	T.C.T.SAW BLADE 255X32X30	1	N/A
5019	646073-5	ŠKRTIACI ZÁVIT	1	N/A
5022	819064-1	MAKITA MARK	1	N/A
5022.2	819214-8	MAKITA logo label	1	N/A