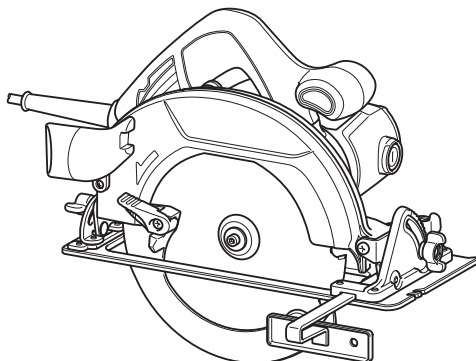




EN	Circular Saw	INSTRUCTION MANUAL	6
UK	Циркулярна пила	ІНСТРУКЦІЯ З ЕКСПЛУАТАЦІЇ	11
PL	Ręczna Pilarka Tarczowa	INSTRUKCJA OBSŁUGI	17
RO	Ferăstrău circular	MANUAL DE INSTRUCȚIUNI	23
DE	Handkreissäge	BEDIENUNGSANLEITUNG	29
HU	Körfűrész	HASZNÁLATI KÉZIKÖNYV	35
SK	Kotúčová píla	NÁVOD NA OBSLUHU	41
CS	Okružní píla	NÁVOD K OBSLUZE	47

HS7601



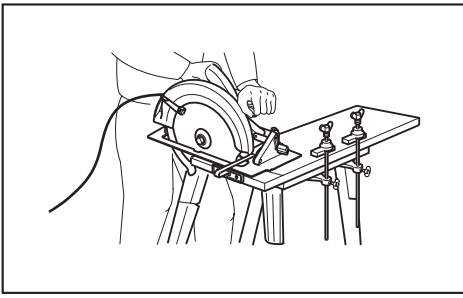


Fig.1

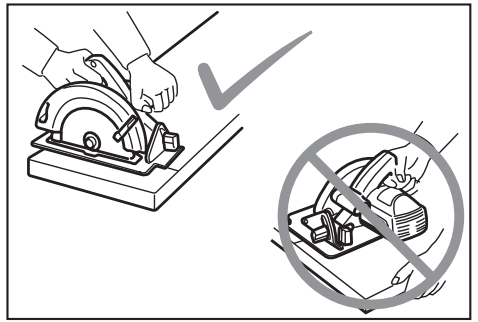


Fig.5

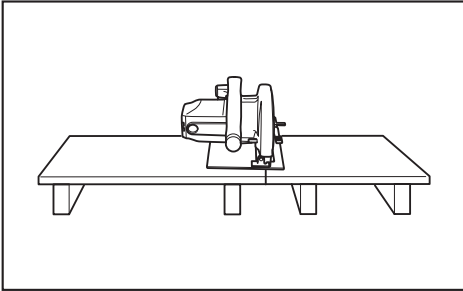


Fig.2

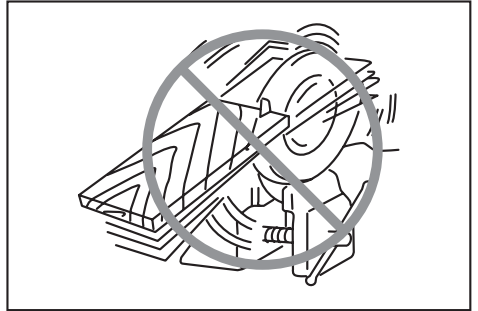


Fig.6

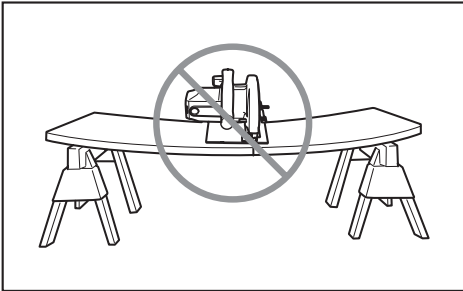


Fig.3

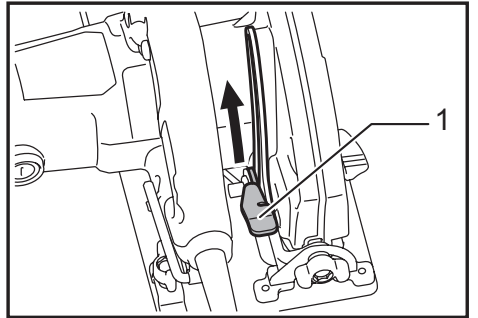


Fig.7

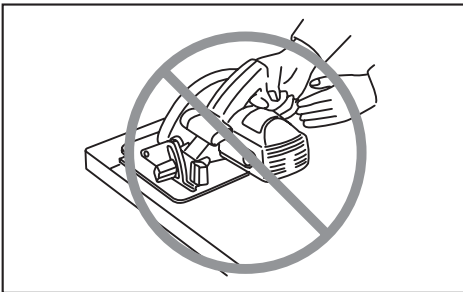


Fig.4

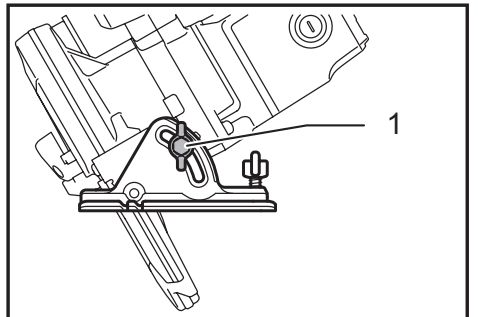


Fig.8

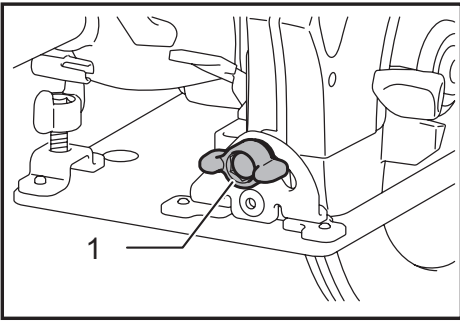


Fig.9

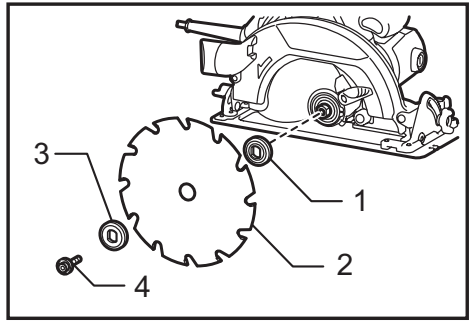


Fig.13

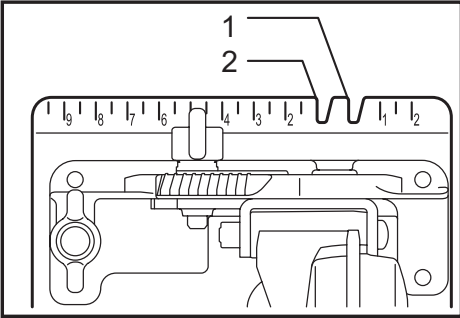


Fig.10

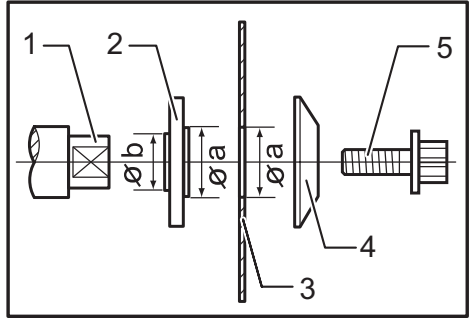


Fig.14

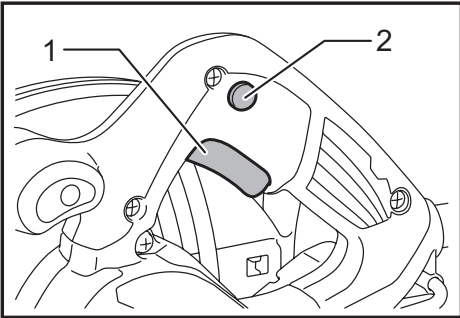


Fig.11

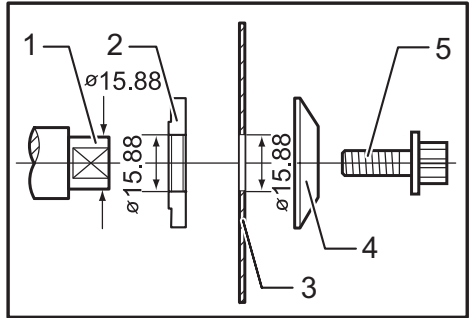


Fig.15

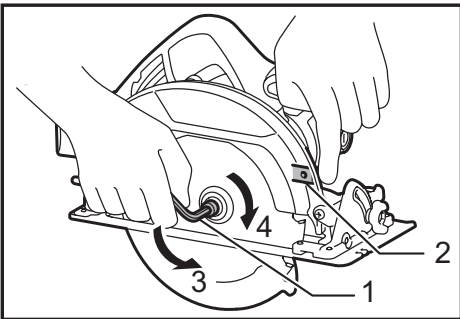


Fig.12

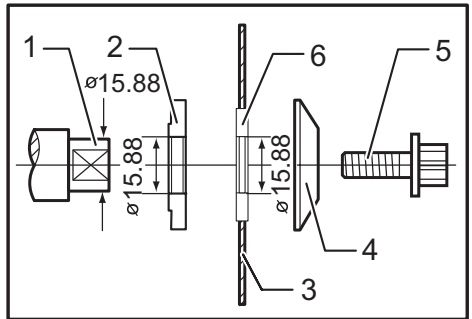


Fig.16

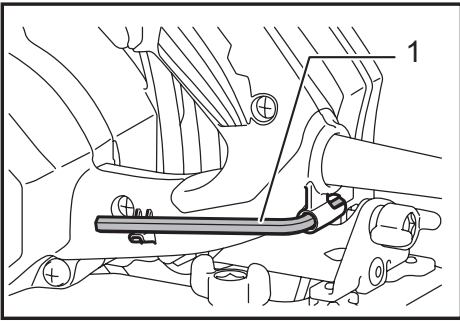


Fig.17

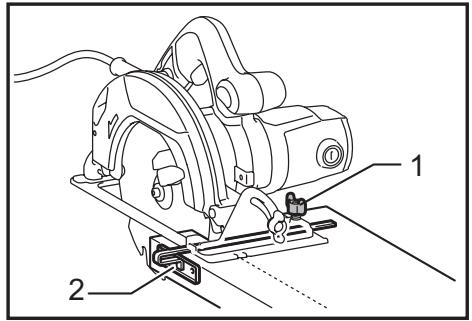


Fig.21

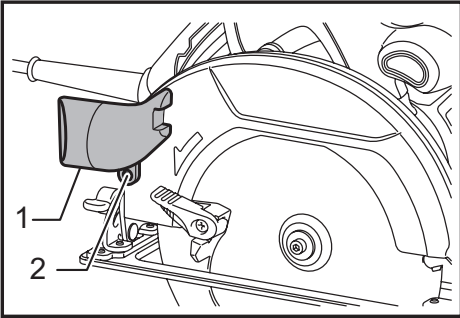


Fig.18

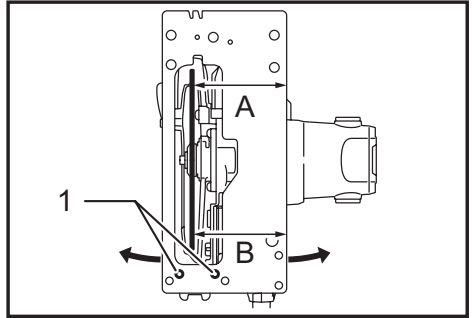


Fig.22

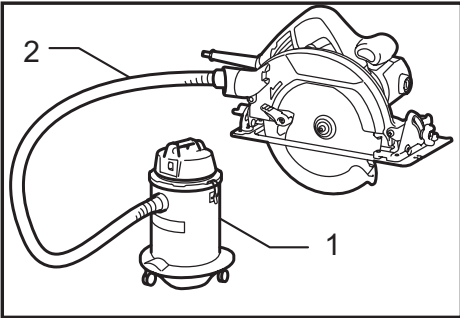


Fig.19

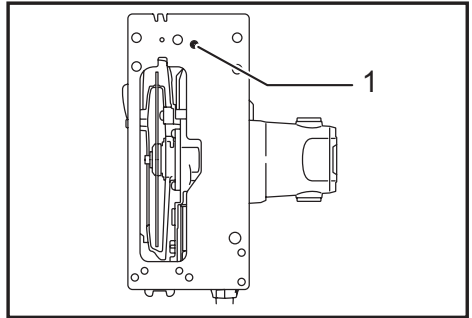


Fig.23

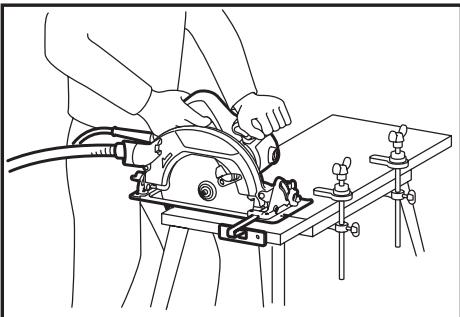


Fig.20

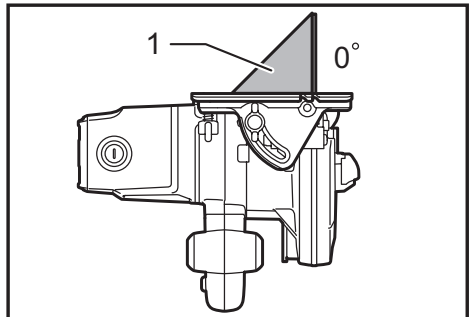


Fig.24

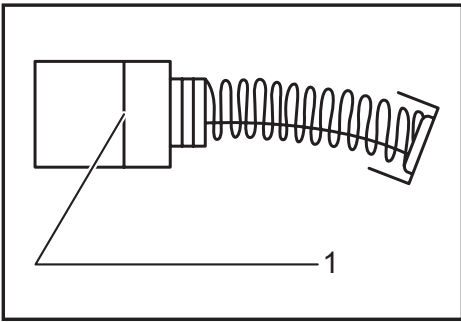


Fig.25

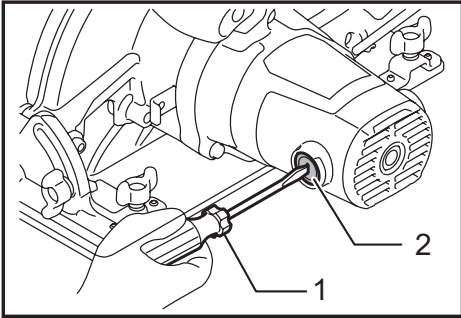


Fig.26

SPECIFICATIONS

Model		HS7601
Blade diameter		190 mm
Max. cutting depth	at 0°	66 mm
	at 45°	46 mm
No load speed		5,200 min ⁻¹
Overall length		309 mm
Net weight		3.7 kg
Safety class		□/II

- Due to our continuing program of research and development, the specifications herein are subject to change without notice.
- Specifications may differ from country to country.
- Weight according to EPTA-Procedure 01/2014

Intended use

The tool is intended for performing lengthways and cross-ways straight cuts and mitre cuts with angles in wood while in firm contact with the workpiece. With appropriate Makita genuine saw blades, other materials can also be sawed.

Power supply

The tool should be connected only to a power supply of the same voltage as indicated on the nameplate, and can only be operated on single-phase AC supply. They are double-insulated and can, therefore, also be used from sockets without earth wire.

Noise

The typical A-weighted noise level determined according to EN62841:

Sound pressure level (L_{pA}) : 92 dB (A)

Sound power level (L_{WA}) : 103 dB (A)

Uncertainty (K) : 3 dB (A)

Wear ear protection

Vibration

The vibration total value (tri-axial vector sum) determined according to EN62841:

Work mode : cutting wood

Vibration emission ($a_{h,W}$) : 2.5 m/s² or less

Uncertainty (K) : 1.5 m/s²

NOTE: The declared vibration emission value has been measured in accordance with the standard test method and may be used for comparing one tool with another.

NOTE: The declared vibration emission value may also be used in a preliminary assessment of exposure.

⚠WARNING: The vibration emission during actual use of the power tool can differ from the declared emission value depending on the ways in which the tool is used.

⚠WARNING: Be sure to identify safety measures to protect the operator that are based on an estimation of exposure in the actual conditions of use (taking account of all parts of the operating cycle such as the times when the tool is switched off and when it is running idle in addition to the trigger time).

EC Declaration of Conformity

For European countries only

The EC declaration of conformity is included as Annex A to this instruction manual.

General power tool safety warnings

⚠WARNING: Read all safety warnings, instructions, illustrations and specifications provided with this power tool. Failure to follow all instructions listed below may result in electric shock, fire and/or serious injury.

Save all warnings and instructions for future reference.

The term "power tool" in the warnings refers to your mains-operated (corded) power tool or battery-operated (cordless) power tool.

Circular saw safety warnings

Cutting procedures

1. **⚠DANGER:** Keep hands away from cutting area and the blade. Keep your second hand on auxiliary handle, or motor housing. If both hands are holding the saw, they cannot be cut by the blade.
2. **Do not reach underneath the workpiece.** The guard cannot protect you from the blade below the workpiece.
3. **Adjust the cutting depth to the thickness of the workpiece.** Less than a full tooth of the blade teeth should be visible below the workpiece.
4. **Never hold the workpiece in your hands or across your leg while cutting. Secure the workpiece to a stable platform.** It is important to support the work properly to minimise body exposure, blade binding, or loss of control.

► Fig.1

5. **Hold the power tool by insulated gripping surfaces, when performing an operation where the cutting tool may contact hidden wiring or its own cord.** Contact with a "live" wire will also make exposed metal parts of the power tool "live" and could give the operator an electric shock.
6. **When ripping, always use a rip fence or straight edge guide.** This improves the accuracy of cut and reduces the chance of blade binding.
7. **Always use blades with correct size and shape (diamond versus round) of arbour holes.** Blades that do not match the mounting hardware of the saw will run off-centre, causing loss of control.
8. **Never use damaged or incorrect blade washers or bolt.** The blade washers and bolt were specially designed for your saw, for optimum performance and safety of operation.

Kickback causes and related warnings

- kickback is a sudden reaction to a pinched, jammed or misaligned saw blade, causing an uncontrolled saw to lift up and out of the workpiece toward the operator;
- when the blade is pinched or jammed tightly by the kerf closing down, the blade stalls and the motor reaction drives the unit rapidly back toward the operator;
- if the blade becomes twisted or misaligned in the cut, the teeth at the back edge of the blade can dig into the top surface of the wood causing the blade to climb out of the kerf and jump back toward the operator.

Kickback is the result of saw misuse and/or incorrect operating procedures or conditions and can be avoided by taking proper precautions as given below.

1. **Maintain a firm grip with both hands on the saw and position your arms to resist kickback forces. Position your body to either side of the blade, but not in line with the blade.** Kickback could cause the saw to jump backwards, but kickback forces can be controlled by the operator, if proper precautions are taken.
2. **When blade is binding, or when interrupting a cut for any reason, release the trigger and hold the saw motionless in the material until the blade comes to a complete stop. Never attempt to remove the saw from the work or pull the saw backward while the blade is in motion or kickback may occur.** Investigate and take corrective actions to eliminate the cause of blade binding.
3. **When restarting a saw in the workpiece, centre the saw blade in the kerf so that the saw teeth are not engaged into the material.** If a saw blade binds, it may walk up or kickback from the workpiece as the saw is restarted.
4. **Support large panels to minimise the risk of blade pinching and kickback.** Large panels tend to sag under their own weight. Supports must be placed under the panel on both sides, near the line of cut and near the edge of the panel.

► Fig.2

► Fig.3

5. **Do not use dull or damaged blades.** Unsharpened or improperly set blades produce narrow kerf causing excessive friction, blade binding and kickback.
6. **Blade depth and bevel adjusting locking levers must be tight and secure before making the cut.** If blade adjustment shifts while cutting, it may cause binding and kickback.
7. **Use extra caution when sawing into existing walls or other blind areas.** The protruding blade may cut objects that can cause kickback.
8. **ALWAYS hold the tool firmly with both hands. NEVER place your hand, leg or any part of your body under the tool base or behind the saw, especially when making cross-cuts.** If kickback occurs, the saw could easily jump backwards over your hand, leading to serious personal injury.

► Fig.4

9. **Never force the saw. Push the saw forward at a speed so that the blade cuts without slowing.** Forcing the saw can cause uneven cuts, loss of accuracy, and possible kickback.

Lower guard function

1. **Check the lower guard for proper closing before each use. Do not operate the saw if the lower guard does not move freely and close instantly. Never clamp or tie the lower guard into the open position.** If the saw is accidentally dropped, the lower guard may be bent. Raise the lower guard with the retracting handle and make sure it moves freely and does not touch the blade or any other part, in all angles and depths of cut.
2. **Check the operation of the lower guard spring. If the guard and the spring are not operating properly, they must be serviced before use.** Lower guard may operate sluggishly due to damaged parts, gummy deposits, or a build-up of debris.
3. **The lower guard may be retracted manually only for special cuts such as "plunge cuts" and "compound cuts". Raise the lower guard by the retracting handle and as soon as the blade enters the material, the lower guard must be released.** For all other sawing, the lower guard should operate automatically.
4. **Always observe that the lower guard is covering the blade before placing the saw down on bench or floor.** An unprotected, coasting blade will cause the saw to walk backwards, cutting whatever is in its path. Be aware of the time it takes for the blade to stop after switch is released.
5. **To check lower guard, open lower guard by hand, then release and watch guard closure. Also check to see that retracting handle does not touch tool housing.** Leaving blade exposed is VERY DANGEROUS and can lead to serious personal injury.

Additional safety warnings

1. **Use extra caution when cutting damp wood, pressure treated lumber, or wood containing knots.** Maintain smooth advancement of tool without decrease in blade speed to avoid overheating the blade tips.

2. **Do not attempt to remove cut material when blade is moving. Wait until blade stops before grasping cut material.** Blades coast after turn off.
3. **Avoid cutting nails. Inspect for and remove all nails from lumber before cutting.**
4. **Place the wider portion of the saw base on that part of the workpiece which is solidly supported, not on the section that will fall off when the cut is made. If the workpiece is short or small, clamp it down. DO NOT TRY TO HOLD SHORT PIECES BY HAND!**

► Fig.5

5. **Before setting the tool down after completing a cut, be sure that the guard has closed and the blade has come to a complete stop.**
6. **Never attempt to saw with the circular saw held upside down in a vise. This is extremely dangerous and can lead to serious accidents.**

► Fig.6

7. **Some material contains chemicals which may be toxic. Take caution to prevent dust inhalation and skin contact. Follow material supplier safety data.**
8. **Do not stop the blades by lateral pressure on the saw blade.**
9. **Do not use any abrasive wheels.**
10. **Only use the saw blade with the diameter that is marked on the tool or specified in the manual.** Use of an incorrectly sized blade may affect the proper guarding of the blade or guard operation which could result in serious personal injury.
11. **Keep blade sharp and clean.** Gum and wood pitch hardened on blades slows saw and increases potential for kickback. Keep blade clean by first removing it from tool, then cleaning it with gum and pitch remover, hot water or kerosene. Never use gasoline.
12. **Wear a dust mask and hearing protection when use the tool.**
13. **Always use the saw blade intended for cutting the material that you are going to cut.**
14. **Only use the saw blades that are marked with a speed equal or higher than the speed marked on the tool.**
15. **(For European countries only)**
Always use the blade which conforms to EN847-1.

SAVE THESE INSTRUCTIONS.

⚠WARNING: DO NOT let comfort or familiarity with product (gained from repeated use) replace strict adherence to safety rules for the subject product. MISUSE or failure to follow the safety rules stated in this instruction manual may cause serious personal injury.

FUNCTIONAL DESCRIPTION

⚠CAUTION:

- Always be sure that the tool is switched off and unplugged before adjusting or checking function on the tool.

Adjusting depth of cut

⚠CAUTION:

- After adjusting the depth of cut, always tighten the lever securely.

► Fig.7: 1. Lever

Loosen the lever on the depth guide and move the base up or down. At the desired depth of cut, secure the base by tightening the lever.

For cleaner, safer cuts, set cut depth so that no more than one blade tooth projects below workpiece. Using proper cut depth helps to reduce potential for dangerous KICKBACKS which can cause personal injury.

Bevel cutting

► Fig.8: 1. Clamping screw

► Fig.9: 1. Clamping screw

Loosen the clamping screws. Set for the desired angle (0° - 45°) by tilting accordingly, then tighten the clamping screws securely.

Sighting

► Fig.10: 1. Cutting line (0° position) 2. Cutting line (45° position)

For straight cuts, align the 0° position on the front of the base with your cutting line. For 45° bevel cuts, align the 45° position with it.

Switch action

⚠CAUTION:

- Before plugging in the tool, always check to see that the switch trigger actuates properly and returns to the "OFF" position when released.
- Do not pull the switch trigger hard without pressing in the lock-off button. This can cause switch breakage.

► Fig.11: 1. Switch trigger 2. Lock-off button

To prevent the switch trigger from being accidentally pulled, a lock-off button is provided.

To start the tool, depress the lock-off button and pull the switch trigger. Release the switch trigger to stop.

⚠ WARNING:

- For your safety, this tool is equipped with a lock-off button which prevents the tool from unintended starting. NEVER use the tool if it runs when you simply pull the switch trigger without pressing the lock-off button. Return tool to a Makita service center for proper repairs BEFORE further usage.
- NEVER tape down or defeat purpose and function of lock-off button.

ASSEMBLY

⚠ CAUTION:

- Always be sure that the tool is switched off and unplugged before adjusting or checking function on the tool.

Removing or installing saw blade

⚠ CAUTION:

- Be sure the blade is installed with teeth pointing up at the front of the tool.
- Use only the Makita wrench to install or remove the blade.

- **Fig.12:** 1. Hex wrench 2. Shaft lock 3. Loosen 4. Tighten

To remove the blade, press the shaft lock so that the blade cannot revolve and use the wrench to loosen the hex bolt counterclockwise. Then remove the hex bolt, outer flange and blade.

- **Fig.13:** 1. Inner flange 2. Saw blade 3. Outer flange 4. Hex bolt

When changing blade, make sure to also clean upper and lower blade guards of accumulated sawdust. Such efforts do not, however, replace the need to check lower guard operation before each use.

For tool with the inner flange for other than 15.88 mm hole-diameter saw blade

- **Fig.14:** 1. Mounting shaft 2. Inner flange 3. Saw blade 4. Outer flange 5. Hex bolt

The inner flange has a certain diameter protrusion on one side of it and a different diameter protrusion on the other side. Choose a correct side on which protrusion fits into the saw blade hole perfectly.

Next, mount the inner flange onto the mounting shaft so that the correct side of protrusion on the inner flange faces outward and then place saw blade and outer flange.

BE SURE TO TIGHTEN THE HEX BOLT CLOCKWISE SECURELY.

⚠ CAUTION:

- **Make sure that the protrusion "a" on the inner flange that is positioned outside fits into the saw blade hole "a" perfectly.** Mounting the blade on the wrong side can result in the dangerous vibration.

For tool with the inner flange for a 15.88 mm hole-diameter saw blade (country specific)

- **Fig.15:** 1. Mounting shaft 2. Inner flange 3. Saw blade 4. Outer flange 5. Hex bolt

- **Fig.16:** 1. Mounting shaft 2. Inner flange 3. Saw blade 4. Outer flange 5. Hex bolt 6. Ring

Mount the inner flange with its recessed side facing outward onto the mounting shaft and then place saw blade (with the ring attached if needed), outer flange and hex bolt.

BE SURE TO TIGHTEN THE HEX BOLT CLOCKWISE SECURELY.

⚠ WARNING:

- **Before mounting the blade onto the spindle, always be sure that the correct ring for the blade's arbor hole you intend to use is installed between the inner and the outer flanges.** Use of the incorrect arbor hole ring may result in the improper mounting of the blade causing blade movement and severe vibration resulting in possible loss of control during operation and in serious personal injury.

Hex wrench storage

- **Fig.17:** 1. Hex wrench

When not in use, store the hex wrench as shown in the figure to keep it from being lost.

Connecting a vacuum cleaner (Optional accessory)

- **Fig.18:** 1. Dust nozzle 2. Screw

- **Fig.19:** 1. Vacuum cleaner 2. Hose

When you wish to perform clean cutting operation, connect a Makita vacuum cleaner to your tool. Install the dust nozzle on the tool using the screw. Then connect a hose of the vacuum cleaner to the dust nozzle as shown in the figure.

OPERATION

⚠ CAUTION:

- Be sure to move the tool forward in a straight line gently. Forcing or twisting the tool will result in overheating the motor and dangerous kick-back, possibly causing severe injury.
- Always use a front grip and rear handle and firmly hold the tool by both front grip and rear handle during operations.

► Fig.20

Hold the tool firmly. The tool is provided with both a front grip and rear handle. Use both to best grasp the tool. If both hands are holding saw, they cannot be cut by the blade. Set the base on the workpiece to be cut without the blade making any contact. Then turn the tool on and wait until the blade attains full speed. Now simply move the tool forward over the workpiece surface, keeping it flat and advancing smoothly until the sawing is completed.

To get clean cuts, keep your sawing line straight and your speed of advance uniform. If the cut fails to properly follow your intended cut line, do not attempt to turn or force the tool back to the cut line. Doing so may bind the blade and lead to dangerous kickback and possible serious injury. Release switch, wait for blade to stop and then withdraw tool. Realign tool on new cut line, and start cut again. Attempt to avoid positioning which exposes operator to chips and wood dust being ejected from saw. Use eye protection to help avoid injury.

Rip fence (Guide rule) (optional accessory)

► Fig.21: 1. Clamping screw 2. Rip fence

The handy rip fence allows you to do extra-accurate straight cuts. Simply slide the rip fence up snugly against the side of the workpiece and secure it in position with the clamping screw on the front of the base. It also makes repeated cuts of uniform width possible.

MAINTENANCE

▲ CAUTION:

- Always be sure that the tool is switched off and unplugged before attempting to perform inspection or maintenance.
- **Clean out the upper and lower guards to ensure there is no accumulated sawdust which may impede the operation of the lower guarding system.** A dirty guarding system may limit the proper operation which could result in serious personal injury. The most effective way to accomplish this cleaning is with compressed air. **If the dust is being blown out of the guards, be sure the proper eye and breathing protection is used.**
- Never use gasoline, benzine, thinner, alcohol or the like. Discoloration, deformation or cracks may result.

Adjusting for parallelism

► Fig.22: 1. Screw

The parallelism between the blade and the base has been factory adjusted. But if it is off, you can adjust it as the following procedure.

Make sure all levers and screws are tightened. Slightly loosen the screw as illustrated. While opening the lower guard, move the rear of base so that the distance A and B are equal. After adjusting, tighten the screw. Make a test cut to get a correct parallelism.

Adjusting for accuracy of 0° cut

► Fig.23: 1. Screw

► Fig.24: 1. Triangular rule

This adjustment has been made at the factory. But if it is off, adjust the adjusting screws with a hex wrench while inspecting 0° the blade with the base using a triangular rule or square rule, etc.

Replacing carbon brushes

► Fig.25: 1. Limit mark

Remove and check the carbon brushes regularly. Replace when they wear down to the limit mark. Keep the carbon brushes clean and free to slip in the holders. Both carbon brushes should be replaced at the same time. Use only identical carbon brushes.

► Fig.26: 1. Screwdriver 2. Brush holder cap

Use a screwdriver to remove the brush holder caps. Take out the worn carbon brushes, insert the new ones and secure the brush holder caps.

To maintain product SAFETY and RELIABILITY, repairs, any other maintenance or adjustment should be performed by Makita Authorized Service Centers, always using Makita replacement parts.

OPTIONAL ACCESSORIES

▲ CAUTION:

- These accessories or attachments are recommended for use with your Makita tool specified in this manual. The use of any other accessories or attachments might present a risk of injury to persons. Only use accessory or attachment for its stated purpose.

If you need any assistance for more details regarding these accessories, ask your local Makita Service Center.

- Saw blades
- Rip fence (Guide rule)
- Guide rail
- Guide rail adapter
- Rule bar
- Dust nozzle
- Hex wrench

NOTE:

- Some items in the list may be included in the tool package as standard accessories. They may differ from country to country.

ТЕХНІЧНІ ХАРАКТЕРИСТИКИ

Модель		HS7601
Діаметр диску		190 мм
Макс. глибина різання	на 0°	66 мм
	на 45°	46 мм
Швидкість без навантаження		5200 хв ⁻¹
Загальна довжина		309 мм
Чиста вага		3,7 кг
Клас безпеки		II

- Оскільки наша програма наукових досліджень і розробок триває безперервно, наведені тут технічні характеристики можуть бути змінені без попередження.
- У різних країнах технічні характеристики можуть бути різними.
- Маса відповідно до EPTA-Procedure 01/2014

Використання за призначенням

Інструмент призначений для поздовжнього та поперечного різання за прямою лінією та різання під косим кутом по деревині у міцному контакті із деталлю. При використанні оригінального пильного полотна виробництва компанії Makita Ви також можете пилити й інші матеріали.

Джерело живлення

Інструмент можна підключати лише до джерела живлення, що має напругу, зазначену в таблиці із заводськими характеристиками, і він може працювати лише від однофазного джерела змінного струму. Він має подвійну ізоляцію, а отже може також підключатися до розеток без лінії заземлення.

Шум

Рівень шуму за шкалою А у типовому виконанні, визначений відповідно до EN62841:

Рівень звукового тиску (L_{pA}): 92 дБ (А)

Рівень звукової потужності (L_{WA}): 103 дБ (А)

Похибка (К): 3 дБ (А)

Користуйтеся засобами захисту слуху

Вібрація

Загальна величина вібрації (сума трьох векторів) визначена згідно з EN62841:

Режим роботи: пилання деревини

Вібрація ($a_{h,W}$): 2,5 м/с² або менше

Похибка (К): 1,5 м/с²

ПРИМІТКА: Заявлене значення вібрації було виміряно у відповідності до стандартних методів тестування та може використовуватися для порівняння одного інструмента з іншим.

ПРИМІТКА: Заявлене значення вібрації може також використовуватися для попередньої оцінки впливу.

▲ПОПЕРЕДЖЕННЯ: Залежно від умов використання вібрація під час фактичної роботи інструмента може відрізнятися від заявленого значення вібрації.

▲ПОПЕРЕДЖЕННЯ: Забезпечте належні запобіжні заходи для захисту оператора, що відповідатимуть умовам використання інструмента (слід брати до уваги всі складові робочого циклу, такі як час, коли інструмент вимкнено та коли він починає працювати на холостому ході під час запуску).

Декларація про відповідність стандартам ЄС

Тільки для країн Європи

Декларацію про відповідність стандартам ЄС наведено в Додатку А до цієї інструкції з експлуатації.

Загальні застереження щодо техніки безпеки при роботі з електроінструментами

▲ПОПЕРЕДЖЕННЯ: Уважно ознайомтеся з усіма попередженнями про дотримання правил техніки безпеки, інструкціями, ілюстраціями та технічними характеристиками, що стосуються цього електроінструмента. Невиконання будь-яких інструкцій, перелічених нижче, може призвести до ураження електричним струмом, пожежі та/або тяжких травм.

Збережіть усі інструкції з техніки безпеки та експлуатації на майбутнє.

Термін «електроінструмент», зазначений у інструкції з техніки безпеки, стосується електроінструмента, який функціонує від електромережі (електроінструмент з кабелем живлення), або електроінструмента з живленням від батареї (безпроводний електроінструмент).

Попередження про необхідну обережність під час роботи з циркулярною пилою

Порядок експлуатації

1. **▲ НЕБЕЗПЕЧНО!** Завжди тримайте руки на відстані від зони різання та полотна. Тримайте другу руку на допоміжній ручці або кожусі двигуна. Якщо тримати інструмент обома руками, їх неможливо буде порізати об полотно.
2. **Забороняється простягати руки нижче деталі.** Кожух не захищає від полотно внизу деталі.
3. **Необхідно відрегулювати глибину різання відповідно до товщини деталі.** Щонайменше один зубець полотна має бути повністю видно внизу деталі.
4. **Забороняється під час різання тримати деталь у руках або на колінах. Необхідно закріпити деталь на стійкій поверхні.** Дуже важливо забезпечити належну опору робочого місця, щоб звести до мінімуму вплив на тіло, заїдання полотна та втрату керування.

► Рис.1

5. **Тримайте електроінструмент за ізолювані поверхні держака під час виконання дії, за якої різальний інструмент може зачепити приховану електропроводку або власний шнур.** Торкання дроту під напругою може призвести до передавання напруги до металевих частин електроінструмента та до ураження оператора електричним струмом.
6. **Під час поздовжнього пиляння обов'язково використовуйте напрямну планку або пряму лінійку.** Це покращить точність різання та зменшить імовірність заїдання полотна.
7. **Обов'язково використовуйте полотна зі шпindelними отворами відповідного розміру та форми (ромбічні або круглі).** Полотно, що не відповідають приладдо для кріплення пили, працюватимуть ексцентрично, що призведе до втрати контролю.
8. **Заборонено використовувати пошкоджені або невідповідні шайби та болти для полотна.** Шайби та болти полотна спеціально розроблені для цієї пили для забезпечення оптимальних робочих характеристик та безпечної експлуатації.

Причини віддачі та відповідні попередження:

- Віддача — це несподівана реакція затиснутого, застряглого або зміщеного диска пили, що призводить до неконтрольованого вистрілювання пили вгору та з деталі в напрямку до оператора.
- Коли диск затиснуло або щільно заїло в пропилю, він зупиняється, а працюючий двигун призводить до швидкого відкидання пристрою до оператора.
- якщо полотно закрутилося або змістилося в прорізі, зубець заднього краю полотна може встроїтися у верхню поверхню деревини, що в свою чергу призведе до виходу полотна із пропилю та відскакування його до оператора.

Причинами віддачі є неправильне користування пилою та/або неправильний порядок або умови експлуатації. Її можна уникнути, дотримуючись запобіжних заходів, наведених нижче.

1. **Необхідно міцно обома руками тримати пилу за ручку та розмістити руки таким чином, щоб протистояти зусиллю віддачі.** Необхідно зайняти положення з будь-якого боку полотна, але не на одній лінії з ним. У разі віддачі пила відскочить назад, але оператор зможе контролювати зусилля віддачі, якщо буде жито всіх запобіжних заходів.
2. **У разі заїдання полотна або переривання різання з будь-яких причин потрібно відпустити курок та утримувати пилу в матеріалі нерухомо до повної зупинки полотна. Ні в якому разі не можна намагатися вийняти пилу з деталі або витягти її під час руху полотна — це може спричинити віддачу.** Ретельно огляньте пилу та виконайте необхідні дії з усунення причини заїдання полотна.
3. **Під час повторного встановлення пили на деталь необхідно відцентрувати диск пили в пропилю так, щоб зубці пили не зачепилися за матеріал.** Якщо диск пили затиснуло, він може вийти або зіскочити з деталі під час повторного ввімкнення пили.
4. **Необхідно забезпечити опору великих панелей, щоб мінімізувати ризик защемлення полотна та віддачі.** Великі панелі прогинаються під своєю вагою. Необхідно розташувати опори з обох боків панелі, біля лінії різання та біля краю панелі.

► Рис.2

► Рис.3

5. **Не можна користуватися тупими або пошкодженими полотнами.** Незагострені або неправильно встановлені полотна роблять вузький пропилю, що призводить до надмірного тертя, заїдання полотна або віддачі.
6. **Перед початком різання необхідно натягнути та закріпити затисні вазелі регулювання глибини та нахилу полотна.** Зміщення регулювання полотна під час різання може призвести до заїдання або віддачі.
7. **Необхідна особлива обережність під час різання в наявній стіні або інші невидимі зони.** Виступаюче полотно може зіткнутися з предметами, що спричинять віддачу.
8. **ОБОВ'ЯЗКОВО міцно тримайте інструмент обома руками. Ні в ЯКОМУ РАЗІ не кладіть руку, ногу чи будь-яку частину тіла нижче основи інструмента або позаду пили, особливо під час поперечного різання.** У разі віддачі пила може просто перескочити через руку та спричинити серйозну травму.

► Рис.4

9. **Ні в якому разі не прикладайте силу до пили. Натискайте на пилу вперед із такою швидкістю, щоб полотно різало, не зменшуючи швидкості.** Прикладання сили до пили може призвести до нерівного прорізу, втрати точності та можливої віддачі.

Функція захисного кожуха

1. Щораз перед початком роботи слід перевіряти належне закриття нижнього кожуху. Не слід починати роботу з пилою, якщо нижній захисний кожух не рухається вільно та одразу не закривається. Ніколи не слід затискати або затягувати нижній кожух у відкритому положенні. Якщо пила випадково впаде, нижній захисний кожух може погнути. Слід підняти нижній захисний кожух за допомогою ручки та переконатися, що він вільно пересувається та не торкається диску або іншої частини при будь-якому куті та глибині різання.
2. Слід перевірити функціонування пружини нижнього захисного кожуха. У разі неналежного функціонування захисного кожуха та пружини їх необхідно відремонтувати перед використанням. Нижній захисний кожух може повільно працювати при наявності пошкоджених частин, клейких відкладень або накопичення сміття.
3. Нижній захисний кожух можна відводити руками тільки при виконанні спеціальних прорізів, таких як «врізання» та «комбіноване різання». Підніміть нижній захисний кожух за допомогою ручки відведення та, як тільки диск пили увійде у матеріал, відпустіть нижній захисний кожух. Для решти видів різання нижній кожух повинен працювати автоматично.
4. Перед встановленням пили на верстат або підлогу слід завжди перевіряти, щоб нижній захисний кожух покривав диск. Незахищений диск, що рухається за інерцією, призведе до пересування пили назад, ріжучи будь-які предмети на своєму шляху. Слід пам'ятати, що після відпускання вмикача диску потрібен деякий час для повної зупинки.
5. Щоб перевірити нижній кожух, його слід відкрити вручну, а потім необхідно відпустити і подивитися, як він закривається. Також слід переконатися, що ручка відведення не торкається кожуха інструмента. Залишення ріжучого диска незахищеним є ДУЖЕ НЕБЕЗПЕЧНИМ, адже може призвести до серйозних травм.

Додаткові попередження про необхідну обережність

1. Виявляйте особливу обережність під час різання сирової деревини, лісоматеріалу, обробленого під тиском, або сучкуватої деревини. Плавню просувайте інструмент вперед, не зменшуючи швидкості полотна, щоб уникнути перегрівання зубців.
2. Не намагайтеся забирати відрізаний матеріал під час руху полотна. Зачекайте до зупинки полотна, перш ніж брати відрізаний матеріал. Полотно рухається за інерцією після вимкнення.
3. Уникайте різання цвяхів. Перед початком роботи огляньте лісоматеріал та видаліть із нього всі цвяхи.
4. Розташуйте ширшу частину основи пили на тій частині деталі, що має надійну опору, а не на тій, яка відпаде після різання. Короткі або малі деталі необхідно притискати. **ЗАБОРОНЕНО ТРИМАТИ КОРОТКІ ДЕТАЛІ РУКАМИ!**

► Рис.5

5. Перед тим як відставляти інструмент після завершення різання, переконайтеся, що захисний кожух закритий і повністю зупинився.
6. Ні в якому разі не намагайтеся різати затиснутою лежачими перевернутою циркулярною пилою. Це дуже небезпечно та може призвести до тяжких нещасних випадків.

► Рис.6

7. Деякі матеріали містять токсичні хімічні речовини. Будьте обережні, щоб не допустити вдихання пилу та його контакту зі шкірою. Дотримуйтеся правил техніки безпеки виробника матеріалу.
8. Заборонено зупиняти полотно, прикладаючи боковий тиск до ріжучого полотна.
9. Заборонено використовувати абразивні диски.
10. Використовуйте тільки ріжуче полотно, що має діаметр, зазначений на інструменті або вказаний в інструкції з експлуатації. Використання полотна невідповідного розміру може завдати належного захисту полотна або функціонуванню захисного кожуха, що можуть призвести до серйозних травм.
11. Полотно має бути гострим та чистим. Деревний лек та смола, застигли на полотнах, сповільнюють пилу та збільшують ризик віддачі. Підтримуйте чистоту полотна. Для цього зніміть його з інструмента, а потім очистіть за допомогою засобу для видалення смоли, гарячої води або гасу. Використовувати бензин заборонено.
12. Під час користування інструментом використовуйте пилозахисну маску та засоби захисту органів слуху.
13. Завжди використовуйте диск пили, що призначений для різання саме того матеріалу, який ви збираєтеся різати.
14. Використовуйте тільки такі диски пили, на яких указана швидкість дорівнює швидкості, зазначеній на інструменті, або є більшою за неї.
15. (Тільки для країн Європи.) Завжди використовуйте диск, що відповідає стандарту EN847-1.

ЗБЕРІГАЙТЕ ЦІ ВКАЗІВКИ.

▲ ПОПЕРЕДЖЕННЯ: **НИКОЛИ НЕ** втрачайте пильності та не розслабляйтеся під час користування виробом (що можливо при частому користуванні); обов'язково строго дотримуйтеся відповідних правил безпеки. **НЕНАЛЕЖНЕ ВИКОРИСТАННЯ** або недотримання правил безпеки, викладених у цій інструкції з експлуатації, може призвести до серйозних травм.

ІНСТРУКЦІЯ З ВИКОРИСТАННЯ

⚠ОБЕРЕЖНО:

- Перед регулюванням та перевіркою справності інструменту, переконайтеся в тому, що він вимкнений та відключений від мережі.

Регулювання глибини різання

⚠ОБЕРЕЖНО:

- Після регулювання глибини різання слід завжди надійно затягнути важіль.

► Рис.7: 1. Важіль

Послабте важіль на напрямній глибини та пересуньте основу вгору або вниз. На необхідній глибині різання закріпіть основу, затягнувши важіль. Для забезпечення рівнішого різання, слід відрегулювати глибину різання таким чином, щоб за межі деталі виходило не більше, ніж один зубець полотна. Використання вірної глибини різання допомагає знизити потенціальну небезпеку ВІДДАЧІ, яка може призвести до поранень.

Різання під кутом

► Рис.8: 1. Затискний гвинт

► Рис.9: 1. Затискний гвинт

Послабте затискні гвинти. Шляхом нахилання встановіть потрібний кут (0° - 45°), після чого міцно затягніть затискні гвинти.

Виставлення

► Рис.10: 1. Лінія різання (положення 0°) 2. Лінія різання (положення 45°)

Для виконання прямих розрізів необхідно сумістити положення 0° спереду основи із лінією різання. Для виконання різання під кутом 45° необхідно сумістити з лінією різання положення 45°.

Дія вмикача

⚠ОБЕРЕЖНО:

- Перед вмиканням інструменту у мережу обов'язково перевірте, чи кнопка вмикача нормально спрацьовує і після відпускання повертається в положення "вимкнено".
- Ніколи не натискайте із силою на курок вмикача, якщо кнопка блокування вимкненого положення не натиснута. Це може зламати вмикач.

► Рис.11: 1. Курковий вмикач 2. Кнопка блокування вимкненого положення

Для того, щоб запобігти випадковому натисканню курка вмикача, є кнопка блокування вимкненого положення.

Для того, щоб запустити інструмент, слід натиснути на кнопку блокування вимкненого положення та натиснути на курок вмикача. Для зупинення роботи курок слід відпустити.

⚠ПОПЕРЕДЖЕННЯ:

- Із міркувань безпеки цей інструмент обладнаний кнопкою блокування вимкненого положення, що запобігає довільному запуску інструмента. ЗАБОРОНЕНО користатися інструментом, якщо він запускається простим натисканням курка вмикача без натискання кнопки блокування вимкненого положення. ПЕРЕД подальшим використанням інструменту слід здати в ремонт до сервісного центра MAKITA.
- ЗАБОРОНЕНО фіксувати скотчем або іншим чином відключати функції кнопки блокування вимкненого положення.

КОМПЛЕКТУВАННЯ

⚠ОБЕРЕЖНО:

- Перед регулюванням та перевіркою справності інструменту, переконайтеся в тому, що він вимкнений та відключений від мережі.

Зняття та встановлення полотна пили

⚠ОБЕРЕЖНО:

- Перевірте, щоб полотно було встановлене так, щоб зубці були направлені вгору в напрямку передньої частини інструмента.
- Для встановлення або зняття полотна слід використовувати тільки ключ виробництва компанії Makita.

► Рис.12: 1. Шестигранний ключ 2. Фіксатор 3. Послабити 4. Затягнути

Для того, щоб зняти полотно, слід повністю натиснути замок вала таким чином, щоб полотно не могло обертатись, та за допомогою ключа послабити болт із шестигранною голівкою, повернувши його проти годинникової стрілки. Потім слід виїняти болт, зовнішній фланець та полотно.

► Рис.13: 1. Внутрішній фланець 2. Диск пили 3. Зовнішній фланець 4. Болт із шестигранною голівкою

Під час зміни полотна слід також очистити верхній та нижній кожухи полотна від тирси, що накопичилась. Однак, такі дії на заміщують необхідності перевірки роботи нижнього кожуха перед кожним використанням.

Для інструмента із внутрішнім фланцем під полотно, діаметр отвору якого є іншим, ніж 15,88 мм

► Рис.14: 1. Вал кріплення 2. Внутрішній фланець 3. Диск пили 4. Зовнішній фланець 5. Болт із шестигранною голівкою

Внутрішній фланець має виступ певного діаметра з одного боку та виступ з діаметром, що відрізняється від попереднього, з іншого боку. Виберіть правильний бік, виступ якого точно підходить до отвору полотна.

Потім встановіть внутрішній фланець на вал кріплення таким чином, щоб бік внутрішнього фланця з правильним виступом був направлений назовні, після чого встановіть полотно пили та зовнішній фланець.
ОБОВ'ЯЗКОВО МІЦНО ЗАТЯГНІТЬ БОЛТ ІЗ ШЕСТИГРАННОЮ ГОЛІВКОЮ ЗА ГОДИННИКОВОЮ СТРІЛКОЮ.

▲ ОБЕРЕЖНО:

- **Переконайтеся, що виступ "а" на внутрішньому фланці, направлений назовні, точно підходить до отвору "а" полотна пили.** Встановлення полотна на виступ іншого діаметра може призвести до небезпечної вібрації.

Для інструмента із внутрішнім фланцем під полотно пили із діаметром отвору 15,88 мм (залежно від країни)

- **Рис.15:** 1. Вал кріплення 2. Внутрішній фланець 3. Диск пили 4. Зовнішній фланець 5. Болт із шестигранною голівкою
- **Рис.16:** 1. Вал кріплення 2. Внутрішній фланець 3. Диск пили 4. Зовнішній фланець 5. Болт із шестигранною голівкою 6. Кільце

Установіть внутрішній фланець, направивши виточену частину назовні, на вал кріплення, потім установіть полотно пили (із прикріпленим кільцем, якщо необхідно), зовнішній фланець та болт із шестигранною голівкою.

ОБОВ'ЯЗКОВО МІЦНО ЗАТЯГНІТЬ БОЛТ ІЗ ШЕСТИГРАННОЮ ГОЛІВКОЮ ЗА ГОДИННИКОВОЮ СТРІЛКОЮ.

▲ ПОПЕРЕДЖЕННЯ:

- **Перш ніж встановлювати диск на шпindel, переконайтеся, що між внутрішнім і зовнішнім фланцем знаходиться відповідне кільце для осьового отвору диска.** Через використання невідповідного кільця для осьового отвору диск може бути встановлений неналежним чином; у цьому випадку диск не буде повністю закріплений, з'явиться сильна вібрація, що під час роботи може призвести до втрати контролю та як наслідок до серйозних травм.

Зберігання шестигранного ключа

- **Рис.17:** 1. Шестигранний ключ

Коли шестигранний ключ не використовується, щоб він не загубився, його слід зберігати як показано на малюнку.

Приєднання пиłosоса (додаткове приладдя)

- **Рис.18:** 1. Штуцер для пилу 2. Гвинт

- **Рис.19:** 1. Пиłosос 2. Шланг

Якщо ви хочете виконати операції з різання із дотриманням чистоти, до інструмента слід підключити пиłosос Makita. Встановіть наконечник для пилу на інструмент за допомогою гвинтів. Потім приєднайте шланг пиłosоса до наконечника для пилу, як показано на малюнку.

ЗАСТОСУВАННЯ

▲ ОБЕРЕЖНО:

- Інструмент слід плавно переміщати по прямій лінії. Докладання зусиль або перекручування інструмента можуть призвести до його перегріву та небезпечної віддачі, що в свою чергу може призвести до серйозних травм.
- Слід завжди використовувати задню й передню ручки та міцно тримати інструмент за обидві ручки під час роботи.

- **Рис.20**

Інструмент слід тримати міцно. На інструменті є як передня, так і задня ручка. Тримати інструмент слід за обидві ручки. Якщо пилу тримати обома руками, то вони не можуть бути порізані полотном. Встановіть основу на деталь, що різатиметься таким чином, щоб полотно її не торкалось. Потім увімкніть інструмент та заждіть, доки полотно набере повної швидкості. Тепер слід просто перемістити інструмент вперед по поверхні деталі, утримуючи його на площині та плавно просуваючи його, доки пиляння не буде завершено.

Для точного різання слід дотримувати прямої лінії, та просувати пилу з однаковою швидкістю. Якщо під час різання напрям різання відхиляється від наміченого, неможна намагатись повернути або силою направити інструмент назад на лінію різання. Такі дії можуть призвести до заклинювання полотна та віддачі із подальшою тяжкою травмою. Відпустіть перемикач, зачекайте, доки полотно зупиниться, а потім заберіть інструмент. Виставте інструмент на нову лінію різання та почніть різання знов. Намагайтесь на займати таких положень, у яких би з-під пили на оператора летіла тирса або тріски. Для запобігання травмам слід вдягати засоби захисту очей.

Напрямна планка (ресстрова мітка) (додаткове приладдя)

- **Рис.21:** 1. Затискний гвинт 2. Направляюча планка

Зручна напрямна планка дозволяє робити надзвичайно точні прямі розрізи. Слід просто пересунути напрямну планку впритул до краю робочої деталі та закріпити її у необхідному положенні за допомогою затискного гвинта в передній частині основи. Це також дозволяє багаторазово виконувати розрізи однакової ширини.

ТЕХНІЧНЕ ОБСЛУГОВУВАННЯ

⚠ ОБЕРЕЖНО:

- Перед тим, як оглянути інструмент, або виконати ремонт, переконайтеся, що він вимкнений та відключений від мережі.
- **Очистіть нижній та верхній захисні кожухи полотна і переконайтеся у тому, що на них немає тирси, яка може зашкодити роботі захисної системи нижнього захисного кожуха.** Засміченість захисної системи може обмежити належну функціональність, і це може призвести до отримання серйозних травм. Найбільш ефективним способом чищення є використання стиснутого повітря. **Під час видування пилю із захисних кожухів полотна слід обов'язково надягати відповідні засоби індивідуального захисту органів зору та дихання.**
- Ніколи не використовуйте газолін, бензин, розріджувач, спирт та подібні речовини. Їх використання може призвести до зміні кольору, деформації та появи тріщин.

Регулювання паралельності

► Рис.22: 1. Гвинт

Регулювання паралельності між полотном та основою було виконано на заводі. Інакше її можна відрегулювати, дотримуючись нижченаведеної процедури.

Переконайтеся, що всі важелі та гвинти затягнуті. Злегка послабте гвинт, як показано на малюнку. Відкриваючи нижній захисний кожух, перемістіть задню частину основи, щоб відстані А та В були однаковими. Після виконання регулювання затягніть гвинт. Зробіть пробний розріз, щоб досягти паралельності.

Регулювання точності різання під кутом 0°

► Рис.23: 1. Гвинт

► Рис.24: 1. Трикутна лінійка

Це регулювання було виконане на заводі. У разі порушення настройки відрегулюйте положення регульовальних гвинтів за допомогою шестигранного ключа, забезпечивши 0° для полотна і основи за допомогою трикутної лінійки або косинця тощо.

Заміна вугільних щіток

► Рис.25: 1. Обмежувальна відмітка

Регулярно знімайте та перевіряйте вугільні щітки. Заміняйте їх, коли знос сягає граничної відмітки. Вугільні щітки повинні бути чистими та вільно рухатись у щіткотримачах. Одночасно треба замінювати обидві вугільні щітки. Використовуйте лише однакові вугільні щітки.

► Рис.26: 1. Викрутка 2. Ковпачок щіткотримача

Для виймання ковпачків щіткотримачів користуйтеся викруткою. Видаліть зношені вугільні щітки, вставте нові та закріпіть ковпачки щіткотримачів. Для того, щоб підтримувати БЕЗПЕКУ та НАДІЙНІСТЬ, ремонт, технічне обслуговування або регулювання мають виконувати уповноважені центри обслуговування "Макіта", де використовуються лише стандартні запчастини "Макіта".

ДОДАТКОВЕ ПРИЛАДДЯ

⚠ ОБЕРЕЖНО:

- Це оснащення або приладдя рекомендовано для використання з інструментами "Макіта", що описані в інструкції з експлуатації. Використання якогось іншого оснащення або приладдя може спричинити травмування. Оснащення або приладдя слід використовувати лише за призначенням.

У разі необхідності, отримати допомогу в більш детальному ознайомленні з оснащенням звертайтесь до місцевого Сервісного центру "Макіта".

- Полотна пили
- Напрямна планка (реєстрова мітка)
- Напрямна рейка
- Адаптер напрямної рейки
- Лінійка
- Наконечник для пилу
- Шестигранний ключ

ПРИМІТКА:

- Деякі елементи списку можуть входити до комплекту інструмента як стандартне приладдя. Вони можуть відрізнятися залежно від країни.

SPECYFIKACJE

Model		HS7601
Średnica tarczy		190 mm
Maks. głębokość cięcia	przy kącie 0°	66 mm
	przy kącie 45°	46 mm
Prędkość bez obciążenia		5 200 min ⁻¹
Długość całkowita		309 mm
Ciężar netto		3,7 kg
Klasa bezpieczeństwa		▣/II

- W związku ze stale prowadzonym przez naszą firmę programem badawczo-rozwojowym niniejsze dane mogą ulec zmianom bez wcześniejszego powiadomienia.
- Dane techniczne mogą różnić się w zależności od kraju.
- Ciężar podany zgodnie z procedurą EPTA 01/2014

Przeznaczenie

Narzędzie przeznaczone jest do wykonywania wzdłużnych i poprzecznych cięć prostych oraz cięć pod kątem w drewnie, gdy spoczywa ono na obrabianym elemencie. Stosując odpowiednie części oryginalne firmy Makita, istnieje możliwość cięcia również innych materiałów.

Zasilanie

Narzędzie wolno podłączać tylko do źródeł zasilania o napięciu zgodnym z napięciem podanym na tabliczce znamionowej. Można je zasilac wyłącznie jednofazowym prądem przemiennym. Jest ono podwójnie izolowane, dlatego też można je zasilac z gniazda bez uziemienia.

Poziom hałasu i drgań

Typowy równoważny poziom dźwięku A określony w oparciu o EN62841:

- Poziom ciśnienia akustycznego (L_{pA}): 92 dB (A)
- Poziom mocy akustycznej (L_{WA}): 103 dB (A)
- Niepewność (K): 3 dB (A)

Należy stosować ochroniacze na uszy

Drgania

Całkowita wartość poziomu drgań (suma wektorów w 3 osiach) określona zgodnie z normą EN62841:

- Tryb pracy: cięcie drewna
- Emisja drgań ($a_{h,w}$): 2,5 m/s² lub mniej
- Niepewność (K): 1,5 m/s²

WSKAZÓWKA: Deklarowana wartość wytwarzanych drgań została zmierzona zgodnie ze standardową metodą testową i można ją wykorzystać do porównywania narzędzi.

WSKAZÓWKA: Deklarowaną wartość wytwarzanych drgań można także wykorzystać we wstępnej ocenie narażenia.

⚠️ OSTRZEŻENIE: Drgania wytwarzane podczas rzeczywistego użytkowania elektronarzędzia mogą się różnić od wartości deklarowanej, w zależności od sposobu jego użytkowania.

⚠️ OSTRZEŻENIE: W oparciu o szacowane narażenie w rzeczywistych warunkach użytkowania należy określić środki bezpieczeństwa w celu ochrony operatora (uwzględniając wszystkie elementy cyklu działania, tj. czas, kiedy narzędzie jest wyłączone i kiedy pracuje na biegu jałowym, a także czas, kiedy jest włączone).

Deklaracja zgodności WE

Dotyczy tylko krajów europejskich

Deklaracja zgodności WE jest dołączona jako załącznik A do niniejszej instrukcji obsługi.

Ogólne zasady bezpiecznej eksploatacji elektronarzędzi

⚠️ OSTRZEŻENIE: Należy zapoznać się z ostrzeżeniami dotyczącymi bezpieczeństwa, instrukcjami, ilustracjami i danymi technicznymi dołączonymi do tego elektronarzędzia. Niezastosowanie się do podanych poniżej instrukcji może prowadzić do porażeń prądem, pożaru i/lub poważnych obrażeń ciała.

Wszystkie ostrzeżenia i instrukcje należy zachować do wykorzystania w przyszłości.

Pojęcie „elektronarzędzie”, występujące w wymienionych tu ostrzeżeniach, odnosi się do elektronarzędzia zasilanego z sieci elektrycznej (z przewodem zasilającym) lub do elektronarzędzia akumulatorowego (bez przewodu zasilającego).

Ostrzeżenia dotyczące bezpieczeństwa dla pilarki tarczowej

Procedury cięcia

1. **⚠️ NIEBEZPIECZEŃSTWO:** Trzymać ręce z dala od obszaru cięcia oraz tarczy. Drugą dłoń trzymać na dodatkowym uchwycie lub na obudowie silnika. Jeśli obie dłonie trzymają pilarkę, nie mogą zostać przecięte przez tarczę.
 2. **Nie wolno sięgać rękoma pod spód obrabianego elementu.** Osłona nie chroni użytkownika przed tarczą wychodzącą spod spodu obrabianego elementu.
 3. **Głębokość cięcia należy dostosować do grubości obrabianego elementu.** Spod spodu obrabianego elementu może wystawać najwyżej niecały ząb tarczy.
 4. **Obrabianego elementu nie wolno trzymać w rękach ani na nogach.** Obrabiany element należy przymocować do stabilnej podstawy. Prawidłowe podparcie elementu jest istotne, ponieważ minimalizuje zagrożenia dla operatora i ryzyko zakleszczenia się tarczy oraz utraty kontroli.
- Rys.1
5. **Trzymać elektronarzędzie za izolowane powierzchnie rękojeści podczas wykonywania prac, przy których narzędzie tnące może dotknąć niewidocznej instalacji elektrycznej.** Zetknięcie z przewodem elektrycznym znajdującym się pod napięciem spowoduje, że odsonięte elementy metalowe narzędzia również znajdą się pod napięciem, grożąc porażeniem operatora prądem elektrycznym.
 6. **Podczas cięcia wzdłużnego należy zawsze stosować prowadnicę wzdłużną lub szynę prowadzącą.** Zwiększa to dokładność cięcia i zmniejsza prawdopodobieństwo zakleszczenia tarczy.
 7. **Zawsze należy używać tarcz o prawidłowym rozmiarze i kształcie (romb lub koło) otworu na wałek.** Tarcze, które nie pasują do osprzętu do ich montażu w narzędziu, będą obracać się mimośrodkowo, powodując utratę kontroli.
 8. **Nie wolno używać uszkodzonych ani niewłaściwych podkładek i śrub do mocowania tarczy.** Podkładki i śruby do mocowania tarczy zostały zaprojektowane specjalnie dla opisywanego narzędzia w celu zapewnienia jego optymalnego działania i bezpieczeństwa obsługi.

Przyczyny odrzutu i związane z tym ostrzeżenia:

- odrzut stanowi nagłą reakcję zakleszczonej, zablokowanej lub wygiętej tarczy, polegającą na niekontrolowanym uniesieniu pilarki w górę i wyrzuceniu jej z obrabianego elementu w kierunku operatora;
- gdy w skutek zaciskania się lub zablokowania materiału z obu stron rządu tarcza zakleszczy się, wówczas reakcja silnika spowoduje gwałtowne wypchnięcie urządzenia w tył w kierunku operatora;
- jeśli podczas cięcia prowadzona w materiale tarcza zostanie skrócona lub wygięta, zęby znajdujące się na jej tylnej krawędzi mogą wkląć się w górną powierzchnię drewna, wypychając tarczę z rządu i powodując odskok narzędzia do tyłu w kierunku operatora.

Odrzut jest wynikiem nieprawidłowego używania pilarki i/lub niewłaściwych procedur lub warunków jej obsługi. Można tego uniknąć, podejmując odpowiednie środki ostrożności, które podano niżej.

1. **Przez cały czas pilarkę należy trzymać mocno oburącz, ustawiając ręce w taki sposób, aby przeciwdziałać siłom odrzutu. Nie wolno stawać na linii tarczy, lecz po jednej albo po drugiej jej stronie.** Odrzut może spowodować odskok narzędzia w tył. Operator może jednak kontrolować siły odrzutu, jeśli zostaną podjęte odpowiednie środki ostrożności.
2. **W przypadku zakleszczenia się tarczy lub przerwania operacji cięcia z jakiegokolwiek powodu należy zwolnić spust przełącznika, trzymając pilarkę w materiale do momentu całkowitego zatrzymania się tarczy. Nie wolno wyciągać ani wycofywać pilarki z przecinanego elementu, gdy tarcza znajduje się w ruchu, bowiem w przeciwnym razie może wystąpić odrzut.** Zbadać przyczynę zakleszczenia się tarczy i podjąć stosowne działania, aby wyeliminować problem.
3. **Przed ponownym uruchomieniem pilarki znajdującej się w obrabianym elemencie należy ustawić tarczę tnącą w środku rządu tak, żeby zęby tarczy nie były wbite w materiał.** Jeśli tarcza tnąca zablokuje się, wówczas w momencie uruchomienia pilarki może zostać wypchnięta ku górze albo wystąpić odrzut.
4. **Duże płyty należy podierać, aby zminimalizować ryzyko zakleszczenia się tarczy i odrzutu.** Duże płyty mają tendencję do wyginania się pod własnym ciężarem. Podpory muszą być ustawione pod płytą w sąsiedztwie linii cięcia po obu jej stronach oraz w pobliżu końców płyty.

► Rys.2

► Rys.3

5. **Nie wolno używać tępych ani uszkodzonych tarcz.** Nienaostrzone lub niewłaściwie założone tarcze dają wąski rząz, który jest przyczyną nadmiernej tarcia, zakleszczenia się tarczy i odrzutu.
6. **Dźwignie blokujące regulację głębokości tarczy i kąta muszą być dobrze dokręcone i zaciśnięte przed przystąpieniem do cięcia.** Jeśli ustawienie tarczy zmienia się podczas cięcia, może spowodować zakleszczenie się tarczy i odrzut narzędzia.
7. **Należy zachować szczególną ostrożność w przypadku wykonywania cięcia w ścianach bądź innych zakrytych powierzchniach.** Wystająca tarcza może przeciąć niewidoczne elementy, które z kolei mogą wywołać odrzut.
8. **Narzędzie należy ZAWSZE trzymać mocno oburącz. Nie wolno NIGDY trzymać rąk, nóg ani innych części ciała pod podstawą narzędzia ani za nim, zwłaszcza podczas wykonywania cięć poprzecznych.** W przypadku wystąpienia odrzutu pilarka może z łatwością odskokić w tył, przesuwając się po ręce, powodując poważne obrażenia.

► Rys.4

9. **Pilarkę należy prowadzić bez używania nadmiernej siły. Pilarkę należy popychać do przodu z prędkością, przy której tarcza nie zwalnia podczas cięcia.** Popychanie z nadmierną siłą może bowiem powodować powstawanie nierównych rzązów, prowadzić do utraty precyzji cięcia i stwarzać możliwość odrzutu.

Funkcja osłony

1. Każdorazowo przed użyciem sprawdzić, czy dolna osłona prawidłowo się zamyka. Nie uruchamiać pilarki, jeśli dolna osłona nie przesuwają się swobodnie lub zamyka się z opóźnieniem. Nie wolno w żadnym wypadku przywieszyc dolnej osłony ani w inny sposób jej unieruchamiać w pozycji otwartej. Jeśli narzędzie przypadkowo upadnie, dolna osłona może ulec wygięciu. W takim przypadku unieść dolną osłonę za pomocą uchwytu cofania i upewnić się, że osłona przesuwają się swobodnie i nie dotyka tarczy ani innego elementu przy wszystkich ustawieniach kąta i głębokości cięcia.
2. Sprawdzić działanie sprężyny dolnej osłony. Jeśli osłona i sprężyna nie działają prawidłowo, wówczas przed użyciem narzędzia należy zlecić ich naprawę. Dolna osłona może przesuwają się z oporami wskutek uszkodzonych elementów, osadów żywicy oraz nagromadzonych zabrudzeń.
3. Dolną osłonę wolno cofać ręcznie tylko w przypadku specjalnych cięć, takich jak „cięcia wgłębne” i „cięcia złożone”. Unieść dolną osłonę za pomocą uchwytu cofania i, gdy tylko tarcza wejdzie w materiał, zwolnić ją. W przypadku pozostałych operacji cięcia dolna osłona powinna działać w sposób automatyczny.
4. Przed odłożeniem narzędzia na stół lub podłogę należy zwrócić uwagę, czy dolna osłona zasłania tarczę. Nieosłonięta tarcza, obracająca się siłą rozpędu, spowoduje ruch narzędzia do tyłu, które będzie ciężo wszystko, co napotka na swojej drodze. Należy mieć świadomość, że od momentu zwolnienia przełącznika do chwili zatrzymania się tarczy upływa pewien czas.
5. W celu skontrolowania dolnej osłony należy ją otworzyć ręką, a następnie zwolnić, obserwując, w jaki sposób się zamyka. Należy również sprawdzić, czy uchwyt cofania nie dotyka obudowy narzędzia. Odsłonięta tarcza stanowi BARDZO DUŻE NIEBEZPIECZEŃSTWO i może prowadzić do poważnych obrażeń ciała.

Dodatkowe ostrzeżenia dotyczące bezpieczeństwa

1. W przypadku cięcia wilgotnego drewna, impregnowanej ciśnieniowo tarczy lub drewna z sękami należy zachować szczególną ostrożność. Utrzymywać jednostajny ruch posuwisty narzędzia bez zmniejszania prędkości obrotowej tarczy w celu uniknięcia przegrzania się zębów piły.
2. Nie wolno usuwać przeciętego materiału, gdy tarcza jest w ruchu. Przed chwytem przeciętego materiału należy odczekać, aż tarcza zatrzyma się. Po wyłączeniu tarczy dalej obracają się siłą rozpędu.
3. Należy unikać cięcia gwoździ. Przed przystąpieniem do cięcia należy skontrolować tarczę i usunąć z niej wszystkie gwoździe.
4. Podstawę pilarki umieścić po tej stronie obrabianego elementu, która jest dobrze podparta, a nie po tej, która odpadnie w momencie przecięcia. Jeśli obrabiany element jest krótki lub ma niewielkie rozmiary, należy go unieruchomić. NIE WOLNO PRZYTRZYMYWAĆ KRÓTKICH ELEMENTÓW RĘKĄ!

► Rys.5

5. Przed odłożeniem narzędzia po zakończonej operacji cięcia należy upewnić się, czy osłona zamknęła się oraz czy tarcza całkowicie się zatrzymała.
6. Nie wolno podejmować prób cięcia pilarką zamocowaną do góry nogami w imadle. Jest to wyjątkowo niebezpieczne i może prowadzić do poważnych wypadków.

► Rys.6

7. Niektóre materiały zawierają substancje chemiczne, które mogą być toksyczne. Unikaj wdychania pyłu i kontaktu ze skórą. Przestrzegaj przepisów bezpieczeństwa podanych przez dostawcę materiałów.
8. Nie wolno zatrzymywać tarczy, wywierając na nią poprzeczny nacisk.
9. Nie wolno używać tarcz ściernych.
10. Używać wyłącznie tarczy o średnicy oznaczonej na narzędziu lub określonej w instrukcji. Korzystanie z tarczy o nieodpowiednim rozmiarze może uniemożliwić prawidłowe zabezpieczenie tarczy lub zakłócić działanie osłony, co może skutkować odniesieniem poważnych obrażeń ciała.
11. Tarcza powinna być zawsze naostrzona i czysta. Stwardniała żywica i smoła drzewna na tarczach spawalnia ruch obrotowy pilarki i zwiększa ryzyko odrzutu. Tarcza powinna być zawsze czysta. W celu oczyszczenia tarczy należy ją najpierw zdjąć z narzędzia, następnie oczyścić zmywaczem do żywicy i smoły, gorącą wodą lub naftą. Nie wolno stosować benzyny.
12. Do pracy należy zakładać maskę przeciwpyłową oraz ochronniki słuchu.
13. Zawsze używać tarczy tnącej przeznaczonej do cięcia materiału, który ma być cięty.
14. Stosować wyłącznie tarcze tnące z oznaczeniem prędkości równej lub wyższej niż wartość prędkości oznaczonej na narzędziu.
15. (Dotyczy tylko krajów europejskich). Zawsze używaj tarczy zgodnej z normą EN847-1.

ZACHOWAĆ NINIEJSZĄ INSTRUKCJĘ.

▲ OSTRZEŻENIE: NIE WOLNO pozwolić, aby wygoda lub rutyna (nabyta w wyniku wielokrotnego używania urządzenia) zastąpiły ściśle przestrzeganie zasad bezpieczeństwa obsługi. NIEWŁAŚCIWE UŻYTKOWANIE narzędzia lub niestosowanie się do zasad bezpieczeństwa podanych w niniejszej instrukcji obsługi może prowadzić do poważnych obrażeń ciała.

OPIS DZIAŁANIA

⚠ PRZESTROGA:

- Przed rozpoczęciem regulacji i sprawdzania działania elektronarzędzia, należy upewnić się, czy jest ono wyłączone i nie podłączone do sieci.

Dostosowywanie głębokości cięcia

⚠ PRZESTROGA:

- Po zakończeniu regulacji głębokości cięcia należy zawsze dobrze dokręcić dźwignię.

► Rys.7: 1. Dźwignia

Poluzuj dźwignię na prowadnicy głębokości i przesunij podstawę w górę lub w dół. Po ustawieniu wybranej głębokości cięcia zablokuj podstawę dokręcając dźwignię. Głębokość cięcia powinna być ustawiona w taki sposób, aby pod spodem przecinanego elementu tarcza nie wystawała więcej niż na wysokość jednego zęba, co zapewni czystsze i bezpieczniejsze cięcie. Stosowanie prawidłowego ustawienia głębokości cięcia zmniejsza ryzyko niebezpiecznych ODRZUTÓW, które grożą obrażeniami ciała.

Cięcie pod kątem

► Rys.8: 1. Śruba zaciskowa

► Rys.9: 1. Śruba zaciskowa

Poluzować śruby mocujące. Ustawić wybrany kąt (0° - 45°), przechylając odpowiednio narzędzie, następnie mocno dokręcić śruby mocujące.

Prowadzenie narzędzia wzdłuż zadanej linii

► Rys.10: 1. Linia cięcia (położenie 0°) 2. Linia cięcia (położenie 45°)

W przypadku cięć prostych wyrównać punkt 0° w przedniej części podstawy z linią cięcia. W przypadku cięć pod kątem 45° należy wyrównać z nią punkt 45°.

Włączanie

⚠ PRZESTROGA:

- Przed podłączeniem elektronarzędzia do sieci zawsze sprawdzać czy spust włącznika działa poprawnie i wraca do pozycji "OFF" po zwolnieniu.
- Nie ciągnij na siłę za język spustowy wyłącznika bez wcześniejszego wciśnięcia przycisku blokady. Można w ten sposób połamać przełącznik.

► Rys.11: 1. Spust przełącznika 2. Przycisk blokady

Urządzenie wyposażone jest w przycisk blokady załączenia, który zapobiega przypadkowemu pociągnięciu za język spustowy przełącznika.

Aby uruchomić urządzenie, należy zwolnić przycisk blokady i pociągnąć za język spustowy wyłącznika. W celu zatrzymania urządzenia wystarczy zwolnić język spustowy przełącznika.

⚠ OSTRZEŻENIE:

- Ze względów bezpieczeństwa urządzenie jest wyposażone w przycisk blokady, który zapobiega przypadkowemu uruchomieniu narzędzia. NIE WOLNO używać narzędzia, jeżeli można je uruchomić tylko ciągnięciem za język spustowy wyłącznika bez uprzedniego naciśnięcia przycisku blokady. PRZED dalszym użytkowaniem urządzenia oddaj je do punktu serwisowego narzędzi Makita w celu naprawy.
- NIE WOLNO zaklejać przycisku blokady taśmami w inny sposób blokować jego działania.

MONTAŻ

⚠ PRZESTROGA:

- Przed rozpoczęciem regulacji i sprawdzania działania elektronarzędzia, należy upewnić się, czy jest ono wyłączone i nie podłączone do sieci.

Demontaż lub montaż tarczy

⚠ PRZESTROGA:

- Tarczę należy montować w taki sposób, aby zęby znajdujące się w przedniej części narzędzia były skierowane ku górze.
- Do zakładania i zdejmowania tarczy należy używać wyłącznie klucza firmy Makita.

► Rys.12: 1. Klucz sześciokątny 2. Blokada wału 3. Odkręcanie 4. Dokręcanie

W celu zdemontowania tarczy należy nacisnąć blokadę wałka, aby tarcza nie mogła się obracać, i odkręcić kluczem śrubę sześciokątną przeciwnie do ruchu wskazówek zegara. Następnie wyciągnij śrubę sześciokątną i ściągnij kołnierz zewnętrzny oraz tarczę.

► Rys.13: 1. Kołnierz wewnętrzny 2. Tarcza 3. Kołnierz zewnętrzny 4. Śruba sześciokątna

W przypadku wymiany tarczy należy koniecznie oczyścić osłonę górną i dolną z nagromadzonych trocin. Czynność ta jednak nie może zastąpić kontroli poprawności działania osłony dolnej przed każdorazowym użyciem narzędzia.

Dotyczy narzędzia z kołnierzem wewnętrznym dla tarczy tnącej z otworem o średnicy innej niż 15,88 mm

► Rys.14: 1. Wałek montażowy 2. Kołnierz wewnętrzny 3. Tarcza 4. Kołnierz zewnętrzny 5. Śruba sześciokątna

Po obu stronach kołnierza wewnętrznego znajdują się występy o różnej średnicy. Należy wybrać odpowiednią stronę, której występ idealnie pasuje do otworu tarczy tnącej. Następnie zamontować kołnierz wewnętrzny na wałku montażowym, prawidłową stroną z występem skierowaną na zewnątrz, po czym założyć tarczę tnącą i kołnierz zewnętrzny. **SOLIDNIE DOKRĘCIĆ ŚRUBĘ IMBUSOWĄ W PRAWO.**

▲ PRZESTROGA:

- Upewnij się, że występ „a” na kołnierzu wewnętrznym ustawiony na zewnątrz idealnie pasuje do otworu „a” tarczy tnącej. Montaż tarczy tnącej złą stroną może spowodować niebezpieczne wibracje.

Dotyczy narzędzia z kołnierzem wewnętrznym dla tarczy tnącej z otworem o średnicy 15,88 mm (w zależności od kraju)

► **Rys.15:** 1. Wałek montażowy 2. Kołnierze wewnętrzny 3. Tarcza 4. Kołnierze zewnętrzny 5. Śruba sześciokątna

► **Rys.16:** 1. Wałek montażowy 2. Kołnierze wewnętrzny 3. Tarcza 4. Kołnierze zewnętrzny 5. Śruba sześciokątna 6. Pierścienie

Zamontować kołnierze wewnętrzne na wałku montażowym wewnętrznym wgłębieniem skierowanym na zewnątrz, a następnie zamocować tarczę tnącą (z zamocowanym pierścieniem w razie konieczności,) kołnierze zewnętrzne i śrubę sześciokątną. **MOCNO DOKRĘCIĆ ŚRUBĘ SZEŚCIOKĄTNĄ W PRAWO.**

▲ OSTRZEŻENIE:

- **Przed umieszczeniem tarczy należy zawsze sprawdzić, czy na trzpieniu obrotowym pomiędzy kołnierzem wewnętrznym i zewnętrznym znajduje się pierścień odpowiedni do wybranego rodzaju tarczy.** Zastosowanie niewłaściwego pierścienia na trzpieniu obrotowym może być przyczyną nieprawidłowego zamocowania tarczy, powodując przemieszczenie tarczy i silne drgania, prowadzące do utraty panowania nad narzędziem podczas pracy i do poważnych obrażeń ciała.

Przechowywanie klucza sześciokątnego

► **Rys.17:** 1. Klucz sześciokątny

Klucz sześciokątny, gdy nie jest używany, należy przechowywać zgodnie z rysunkiem, aby nie zapadł się.

Podłączanie odkurzacza (akcesoria opcjonalne)

► **Rys.18:** 1. Dysza odpylania 2. Wkręt

► **Rys.19:** 1. Odkurzacz 2. Wąż

W celu zachowania czystości podczas operacji cięcia, podłącz do narzędzia odkurzacz firmy Makita. Przytwierdź dyszę odpylania na narzędziu przy pomocy śruby. Następnie do dyszy odpylania podłącz wąż odkurzacza według rysunku.

DZIAŁANIE

▲ PRZESTROGA:

- Narzędzie należy prowadzić spokojnie wzdłuż linii prostej. Stosowanie nadmiernej siły lub zmiana kierunku prowadzenia narzędzia powoduje przegrzanie silnika i stwarza zagrożenie wystąpienia niebezpiecznego odrzutu, który może być przyczyną poważnych obrażeń.
- Należy zawsze używać uchwytu przedniego i rękojści tylnej, a podczas pracy trzymać narzędzie zarówno za uchwyt, jak i rękojeść.

► **Rys.20**

Narzędzie trzymać mocno i pewnie. Narzędzie zaopatrzone jest zarówno w uchwyt przedni jak i rękojeść tylną. Należy używać obu wspomnianych elementów, aby zapewnić pewny chwyt. Jeżeli pilarka trzymana jest oburącz, nie ma możliwości pokaleczenia rąk przez tarczę. Ustaw podstawę narzędzia na elemencie do cięcia w taki sposób, aby tarcza nie stykała się z nim. Następnie włącz narzędzie i odczekaj, aż tarcza uzyska pełną prędkość. Następnie po prostu przesuwać narzędzie płynnie do przodu nad ciętym materiałem, trzymając je płasko, aż do zakończenia cięcia.

Aby uzyskać gładkie rzazy, staraj się ciąć w linii prostej i utrzymywać stałą prędkość posuwu. Jeżeli narzędzie zboczy z zamierzonej linii cięcia, nie próbuj skręcać narzędziem ani wracać do niej na siłę. Można bowiem w ten sposób zakleszczyć tarczę, zwiększając ryzyko niebezpiecznego odrzutu i ewentualnych poważnych obrażeń. Zwolnij przełącznik, odczekaj, aż tarcza zatrzyma się, a następnie wycofaj narzędzie. Ustaw narzędzie wzdłuż nowej linii cięcia i rozpocznij cięcie na nowo. Stań w taki sposób, aby wylatujące z pilarki wióry i trociny były skierowane w przeciwną stronę. Korzystaj z okularów ochronnych, aby zmniejszyć ryzyko zaprószenia.

Prowadnica wzdłużna (akcesoria opcjonalne)

► **Rys.21:** 1. Śruba zaciskowa 2. Prowadnica wzdłużna

Poręczna prowadnica wzdłużna pozwala wykonywać wyjątkowo dokładne cięcia proste. Wystarczy tylko ciasno nasunąć prowadnicę wzdłużną na krawędź elementu do cięcia i zablokować ją w tym położeniu za pomocą śruby mocującej w przedniej części podstawy. Umożliwia ona również wykonywanie powtarzalnych cięć o tej samej szerokości.

KONSERWACJA

PRZESTROGA:

- Przed wykonywaniem kontroli i konserwacji należy się zawsze upewnić, czy elektronarzędzie jest wyłączone i nie podłączone do sieci.
- **Oczyszczyć górne i dolne osłony, aby upewnić się, że nie nagromadziły się na nich żadne opiłki, które mogłyby wpłynąć na nieprawidłowe działanie dolnego systemu zabezpieczającego.** Zabrudzony system zabezpieczający może ograniczyć jego funkcję, a to może prowadzić do poważnych obrażeń ciała. Najlepszą metodą przeprowadzenia czynności czyszczenia jest użycie sprężonego powietrza. **W przypadku przedmuchiwania osłon należy zastosować odpowiednie środki ochrony czyści i układu oddechowego.**
- Nie wolno używać benzyny, benzenu, rozpuszczalnika, alkoholu itp. Substancje takie mogą spowodować odbarwienia, odkształcenia lub pęknięcia.

Regulacja równoległości

► Rys.22: 1. Wkręt

Równoległość pomiędzy tarczą a podstawą została wyregulowana fabrycznie. Jeśli jednak równoległość wymaga regulacji, należy wykonać następującą procedurę. Upewnić się, czy wszystkie dźwignie i śruby są prawidłowo dokręcone. Lekko poluzować śrubę, jak pokazano na rysunku. Po otwarciu dolnej osłony przesunąć tylną część podstawy, tak aby odległość A i B była równa. Po zakończeniu regulacji należy dokręcić śrubę. Wykonać testowe cięcie w celu uzyskania prawidłowej równoległości.

Regulacja dokładności cięcia pod kątem 0°

► Rys.23: 1. Wkręt

► Rys.24: 1. Ekierka

Ta regulacja została przeprowadzona fabrycznie. Jeśli jednak jest to wymagane, w celu ustawienia kąta 0° pomiędzy tarczą a podstawą należy wyregulować śruby regulacyjne przy pomocy klucza sześciokątnego, przykładając odpowiednio ekierkę, przymiar kąta prostego itp.

Wymiana szczotek węglowych

► Rys.25: 1. Znak ograniczenia

Systematycznie wyjmować i sprawdzać szczotki węglowe. Wymieniać je, gdy ich zużycie sięga znaku granicznego. Szczotki powinny być czyste i łatwo wchodzić w uchwyt. Należy wymieniać obydwie szczotki jednocześnie. Stosować wyłącznie identyczne szczotki węglowe.

► Rys.26: 1. Śrubokręt 2. Pokrywka uchwytu szczotki

Do wyjęcia pokrywek uchwytów szczotek używać śrubokrętu. Wyjąć zużyte szczotki węglowe, włożyć nowe i zabezpieczyć pokrywkami uchwytów szczotek.

Dla zachowania BEZPIECZEŃSTWA i NIEZAWODNOŚCI wyrobu, naprawy oraz inne prace konserwacyjne i regulacyjne powinny być wykonywane przez Autoryzowane Centra Serwisowe Makita, wyłącznie przy użyciu części zamiennych Makita.

AKCESORIA OPCJONALNE

PRZESTROGA:

- Zaleca się stosowanie wymienionych akcesoriów i dodatków razem z elektronarzędziem Makita opisanym w niniejszej instrukcji. Stosowanie jakichkolwiek innych akcesoriów i dodatków może stanowić ryzyko uszkodzenia ciała. Stosować akcesoria i dodatki w celach wyłącznie zgodnych z ich przeznaczeniem.

W razie potrzeby, wszelkiej pomocy i szczegółowych informacji na temat niniejszych akcesoriów udziela Państwu lokalne Centra Serwisowe Makita.

- Tarcze tnące
- Prowadnica wzdłużna
- Reling prowadzący
- Adapter relingu prowadzącego
- Śtupek miarkowy
- Dysza odpylania
- Klucz sześciokątny

WSKAZÓWKI:

- Niektóre pozycje znajdujące się na liście mogą być dołączone do pakietu narzędziowego jako akcesoria standardowe. Mogą to być różne pozycje, w zależności od kraju.

SPECIFICAȚII

Model		HS7601
Diametrul pânzei de ferăstrău		190 mm
Adâncime maximă de tăiere	la 0°	66 mm
	la 45°	46 mm
Turație în gol		5.200 min ⁻¹
Lungime totală		309 mm
Greutate netă		3,7 kg
Clasa de siguranță		□/II

- Datorită programului nostru continuu de cercetare și dezvoltare, specificațiile pot fi modificate fără o notificare prealabilă.
- Specificațiile pot varia în funcție de țară.
- Greutatea este specificată conform procedurii EPTA 01/2014

Destinația de utilizare

Mașina este destinată executării tăierilor longitudinale și transversale, drepte și oblice, în lemn, menținând un contact ferm cu piesa de prelucrat. Cu pânze de ferăstrău Makita originale adecvate, pot fi tăiate și alte materiale.

Sursă de alimentare

Unealta trebuie conectată doar la o sursă de alimentare cu aceeași tensiune precum cea indicată pe plăcuța indicatoare a caracteristicilor tehnice și poate fi operată doar de la o sursă de curent alternativ cu o singură fază. Acestea au o izolație dublă și, drept urmare, pot fi utilizate de la prize fără împământare.

Emisie de zgomot

Nivelul de zgomot normal ponderat A determinat în conformitate cu EN62841:

Nivel de presiune acustică (L_{pA}): 92 dB (A)

Nivel de putere acustică (L_{WA}): 103 dB (A)

Marjă de eroare (K): 3 dB (A)

Portați mijloace de protecție a auzului

Vibrații

Valoarea totală a vibrațiilor (suma vectorilor tri-axiali) determinată conform EN62841:

Mod de funcționare: tăierea lemnului

Emisie de vibrații ($a_{h,w}$): 2,5 m/s² sau mai puțin

Marjă de eroare (K): 1,5 m/s²

NOTĂ: Nivelul de vibrații declarat a fost măsurat în conformitate cu metoda de test standard și poate fi utilizat pentru compararea unei unelte cu alta.

NOTĂ: Nivelul de vibrații declarat poate fi, de asemenea, utilizat într-o evaluare preliminară a expunerii.

⚠️ AVERTIZARE: Nivelul de vibrații în timpul utilizării reale a unelei electrice poate diferi de valoarea nivelului declarat, în funcție de modul în care unealta este utilizată.

⚠️ AVERTIZARE: Asigurați-vă că identificați măsurile de siguranță pentru a proteja operatorul, acestea fiind bazate pe o estimare a expunerii în condiții reale de utilizare (luând în considerare toate părțile ciclului de operare, precum timpul în care unealta a fost oprită, sau a funcționat în gol, pe lângă timpul de declanșare).

Declarație de conformitate CE

Numai pentru țările europene

Declarația de conformitate CE este inclusă ca Anexa A în acest manual de instrucțiuni.

Avertismente generale de siguranță pentru mașinile electrice

⚠️ AVERTIZARE: Citiți toate avertismentele privind siguranța, instrucțiunile, ilustrațiile și specificațiile furnizate cu această sculă electrică. Nerespectarea integrală a instrucțiunilor de mai jos poate cauza electrocutări, incendii și/sau vătămări corporale grave.

Păstrați toate avertismentele și instrucțiunile pentru consultări ulterioare.

Termenul „mașină electrică” din avertizări se referă la mașinile dumneavoastră electrice acționate de la rețea (prin cablu) sau cu acumulator (fără cablu).

Avertismente privind siguranța pentru ferăstrăul circular

Proceduri de tăiere

1. **▲ PERICOL: Țineți mâinile la distanță de zona de tăiere și de pânda de ferăstrău. Țineți a doua mână pe mânerul auxiliar sau pe carcasa motorului.** Dacă țineți ferăstrăul cu ambele mâini, acestea nu pot fi tăiate de pânză.
 2. **Nu introduceți mâinile sub piesa prelucrată.** Apărătoarea nu vă poate proteja împotriva tăierii sub piesa prelucrată.
 3. **Reglați adâncimea de tăiere la grosimea piesei de prelucrat.** Sub piesa de prelucrat trebuie să fie vizibil mai puțin decât un dinte complet al pânzei.
 4. **Nu țineți niciodată piesa de lucru în mâini sau pe picioare în timpul tăierii. Fixați piesa de lucru pe o platformă stabilă.** Este important să sprijiniți piesa de lucru în mod corespunzător, pentru a minimiza expunerea corpului, riscul de înțepenire a pânzei sau de pierdere a controlului.
- Fig.1
5. **Țineți mașina electrică doar de suprafețele de prindere izolate atunci când executați o operație în care unealta de tăiere poate intra în contact cu cabluri ascunse sau cu propriul cablu.** Contactul cu un cablu aflat sub tensiune va pune sub tensiune și componentele metalice neizolate ale mașinii și ar putea conduce la electrocutarea operatorului.
 6. **Atunci când tăiați, folosiți întotdeauna un ghidaj opritor sau un ghidaj paralel.** Aceasta va crește acuratețea tăierii și reduce riscul de blocare a pânzei.
 7. **Folosiți întotdeauna pânda cu găuri pentru arbore de dimensiuni și forme corecte (romboidale versus rotunde).** Pânzele care nu se potrivesc cu sistemul de montare al ferăstrăului vor funcționa excentric, provocând pierderea controlului.
 8. **Nu folosiți niciodată șaibe sau șuruburi pentru pânză deteriorate sau necorespunzătoare.** Șaibele și șurubul pentru pânză au fost special concepute pentru acest ferăstrău, în vederea obținerii unei performanțe optime și a siguranței în exploatare.

Cauze ale reculului și avertismente aferente

- reculul este o reacție bruscă la înțepenirea, blocarea sau abaterea de la coliniaritate a pânzei de ferăstrău și cauzează o deplasare necontrolată a ferăstrăului în sus și către operator;
- când pânda este înțepenită sau prinsă strâns de închiderea fantei, pânda se blochează și reacția motorului respinge rapid mașina către operator;
- dacă pânda se răsuștește sau nu mai este coliniară cu linia de tăiere, dinții de la marginea posterioară a pânzei se pot înfișe în fața superioară a lemnului, cauzând ieșirea pânzei din fantă și saltul acesteia către operator.

Reculul este rezultatul utilizării incorecte a ferăstrăului și/sau al procedurilor sau condițiilor de lucru necorespunzătoare, putând fi evitat prin adoptarea unor măsuri de precauție adecvate prezentate în continuare.

1. **Mențineți o priză fermă cu ambele mâini pe ferăstrău și poziționați-vă brațele astfel încât să contracarați forțele de recul. Poziționați-vă corpul de-o parte sau de cealaltă a pânzei, însă nu pe aceeași linie cu aceasta.** Reculul poate provoca un salt înapoi al ferăstrăului, însă forțele de recul pot fi controlate de operator, dacă se adoptă măsuri de precauție adecvate.
2. **Atunci când pânda se blochează sau atunci când întrerupeți tăierea indiferent de motiv, eliberați butonul declanșator și mențineți ferăstrăul nemiscat în material până când pânda se oprește complet. Nu încercați niciodată să scoateți ferăstrăul din piesa prelucrată sau să trageți ferăstrăul înapoi cu pânda aflată în mișcare deoarece există riscul de recul.** Investigați cauza blocării pânzei și luați măsuri de eliminare a acesteia.
3. **Atunci când reporniți ferăstrăul din piesa de lucru, centrați pânda de ferăstrău în fantă astfel ca dinții ferăstrăului să nu fie angrenați în material.** Dacă pânda de ferăstrău se blochează, aceasta poate urca pe piesa de lucru sau poate recula din aceasta la repornirea ferăstrăului.
4. **Sprijiniți panourile mari pentru a minimiza riscul de înțepenire și reculare a pânzei.** Panourile mari tind să se încovoie sub propria greutate. Sub panou trebuie amplasate suporturi pe ambele laturi, lângă linia de tăiere și lângă marginea panoului.

► Fig.2

► Fig.3

5. **Nu folosiți pânde uzate sau deteriorate.** Pânzele neascuțite sau reglate necorespunzător generează o fantă îngustă care cauzează frecare excesivă, înțepenirea pânzei și recul.
 6. **Pârghiile de reglare și blocare a adâncimii și înclinației de tăiere trebuie să fie strânse și fixate înainte de începerea tăierii.** Deplasarea reglajului pânzei în timpul tăierii poate cauza frecare și recul.
 7. **Lucrați cu mare atenție atunci când executați o tăiere în pereții existenți sau în alte zone mascate.** Pânza poate tăia obiecte care pot provoca un recul.
 8. **Țineți ÎNTOTDEAUNA mașina ferm cu ambele mâini. Nu vă poziționați NICIODATĂ mâna, piciorul sau orice parte a corpului sub talpa mașinii sau în spatele ferăstrăului, în special atunci când executați retezări.** Dacă apare un recul, ferăstrăul poate sări cu ușurință înapoi peste mâna dumneavoastră, provocând vătămări corporale grave.
- Fig.4
9. **Nu forțați niciodată ferăstrăul. Împingeți ferăstrăul înainte la o viteză care să permită pânzei să taie fără să încetinească.** Forțarea ferăstrăului poate genera tăieturi neuniforme, reducerea preciziei și posibile reculuri.

Funcția apărătoarei

1. Înainte de fiecare utilizare, verificați închiderea corectă a apărătoării inferioare. Nu folosiți ferăstrăul dacă apărătoarea inferioară nu se mișcă liber și nu se închide instantaneu. Nu blocați și nici nu legați niciodată apărătoarea inferioară în poziția deschisă. Dacă scăpați accidental ferăstrăul, apărătoarea inferioară se poate îndoi. Ridicați apărătoarea inferioară cu maneta de retragere și asigurați-vă că aceasta se mișcă liber și nu atinge pânza sau orice altă piesă, la toate unghiurile și adâncimile de tăiere.
2. Verificați funcționarea arcului apărătoării inferioare. Dacă apărătoarea și arcul nu funcționează corect, acestea trebuie reparate înainte de utilizare. Apărătoarea inferioară ar putea funcționa anevoios din cauza unor piese defecte, acumulării cleioase sau depunerii de resturi.
3. Apărătoarea inferioară trebuie retrasă manual numai pentru tăieri speciale, cum ar fi „decupările prin plonjare” și „tăierile combinate”. Ridicați apărătoarea inferioară cu maneta de retragere și eliberați-o imediat ce pânza pătrunde în material. Pentru toate celelalte tipuri de tăiere, apărătoarea inferioară trebuie să funcționeze automat.
4. Aveți grijă întotdeauna ca apărătoarea inferioară să acopere pânza înainte de a așeza ferăstrăul pe banc sau podea. O pânză neprotectată, aflată în rotire liberă, va provoca deplasarea ferăstrăului înapoi, tăind orice obiecte din calea ei. Aveți în vedere timpul necesar pentru oprirea completă a pânzei după eliberarea comutatorului.
5. Pentru a verifica apărătoarea inferioară, deschideți-o cu mâna, apoi eliberați-o și urmăriți închiderea ei. Verificați, de asemenea, ca maneta de retragere să nu atingă carcasa mașinii. Lăsarea pânzei expuse este FOARTE PERICULOASĂ și poate conduce la vătămări corporale grave.

Avertismentele suplimentare privind siguranța

1. Lucrați cu mare atenție atunci când tăiați lemn umed, cherestea impregnată sub presiune sau lemn cu noduri. Păstrați o viteză de avansare uniformă pentru mașină fără reducerea vitezei pânzei, pentru a evita supraîncălzirea dinților pânzei.
2. Nu încercați să îndepărtați materialul tăiat în timp ce pânza se mișcă. Așteptați ca pânza să se oprească înainte de a apuca materialul tăiat. Pânzele se rotesc liber după oprire.
3. Evitați tăierea cuielelor. Inspectați piesa de prelucrat și eliminați toate cuiele din cherestea înainte de tăiere.
4. Așezați porțiunea mai lată a tălpii ferăstrăului pe cea porțiune a piesei de prelucrat care este sprijinită solid, și nu pe porțiunea care va cădea în urma tăierii. Dacă piesa de prelucrat este scurtă sau mică, fixați-o. **NU ÎNCERCAȚI SĂ ȚINEȚI PIESELE SCURTE CU MÂNA!**

► Fig.5

5. Înainte de a așeza mașina după finalizarea unei tăieri, asigurați-vă că apărătoarea inferioară s-a închis și că pânza s-a oprit complet.
6. Nu încercați niciodată să tăiați cu ferăstrăul circular fixat în poziție răsturnată într-o menghină. Acest mod de utilizare este extrem de periculos și poate duce la accidente grave.

► Fig.6

7. Unele materiale conțin substanțe chimice care pot fi toxice. Aveți grijă să nu inhalați praful și evitați contactul cu pielea. Respectați instrucțiunile de siguranță ale furnizorului.
8. Nu opriți pânzele aplicând o presiune laterală asupra pânzei de ferăstrău.
9. Nu folosiți discuri abrazive.
10. Utilizați numai pânze de ferăstrău cu diametrul marcat pe mașină sau specificat în manual. Utilizarea unei pânze de altă mărime poate afecta protecția corespunzătoare a pânzei sau funcționarea apărătoării, putând rezulta accidente grave.
11. Păstrați pânza ascuțită și curată. Cleiul și rășina întărite pe pânze încetinesc ferăstrăul și măresc riscul de recul. Păstrați pânza curată prin demontarea de pe mașină și curățarea acesteia cu soluție de îndepărtat cleiul și rășina, apă fierbinte sau petrol lampant. Nu folosiți niciodată benzină.
12. Purtați o mască de protecție contra prafului și mijloace de protecție auditivă atunci când folosiți mașina.
13. Întotdeauna utilizați pânza de ferăstrău prevăzută pentru tăierea materialului pe care îl veți tăia.
14. Utilizați doar pânze de ferăstrău care sunt marcate cu o turație egală cu sau mai mare decât turația marcată pe mașină.
15. (Numai pentru țările europene) Întotdeauna utilizați lama care este conformă cu EN847-1.

PĂSTRAȚI ACESTE INSTRUCȚIUNI.

⚠️ AVERTIZARE: NU permiteți comodității și familiarizării cu produsul (obținute prin utilizare repetată) să înlocuiască respectarea strictă a normelor de securitate pentru acest produs. FOLOSIREA ÎNCORECTĂ sau nerespectarea normelor de securitate din acest manual de instrucțiuni poate provoca vătămări corporale grave.

DESCRIERE FUNCȚIONALĂ

⚠️ATENȚIE:

- Asigurați-vă că ați oprit mașina și că ați debransat-o de la rețea înainte de a o regla sau de a verifica starea sa de funcționare.

Reglarea adâncimii de așchiere

⚠️ATENȚIE:

- După reglarea adâncimii de tăiere, strângeți întotdeauna ferm pârghia.

► Fig.7: 1. Pârghie

Slăbiți pârghia de la ghidajul de reglare a adâncimii și deplasați talpa în sus sau în jos. Fixați talpa la adâncimea de tăiere dorită prin strângerea pârgiei. Pentru tăieturi mai curate și mai sigure, reglați adâncimea de tăiere astfel încât sub piesa de prelucrat să nu fie proiectat mai mult de un singur dinte al pânzei. Utilizarea unei adâncimi de tăiere corecte ajută la reducerea potențialului de apariție a RECULULUI care poate provoca vătămări corporale.

Tăierea înclinată

► Fig.8: 1. Șurub de strângere

► Fig.9: 1. Șurub de strângere

Slăbiți șuruburile de strângere. Stabiliți unghiul dorit (0° - 45°) prin înclinare adecvată, apoi strângeți ferm șuruburile de strângere.

Vizarea

► Fig.10: 1. Linie de tăiere (poziție de 0°) 2. Linie de tăiere (poziție de 45°)

Pentru tăieri drepte, aliniați poziția de 0° din partea frontală a tălpii cu linia dumneavoastră de tăiere. Pentru tăieri înclinate la 45°, aliniați poziția de 45°.

Aționarea întrerupătorului

⚠️ATENȚIE:

- Înainte de a brânșa mașina la rețea, verificați dacă trăgaciul întrerupătorului funcționează corect și dacă revine la poziția "OFF" (oprit) atunci când este eliberat.
- Nu apăsați puternic butonul declanșator fără a apăsa butonul de deblocare. Comutatorul se poate rupe.

► Fig.11: 1. Declanșator întrerupător 2. Buton de deblocare

Pentru a preveni acționarea accidentală a butonului declanșator este prevăzut un buton de deblocare. Pentru a porni mașina, apăsați butonul de deblocare și acționați butonul declanșator. Eliberați butonul declanșator pentru a opri mașina.

⚠️AVERTIZARE:

- Pentru siguranța dumneavoastră, această mașină este echipată cu un buton de deblocare care previne pornirea neintenționată a mașinii. Nu utilizați NICIODATĂ mașina dacă aceasta pornește la simpla apăsare a butonului declanșator, fără a apăsa butonul de deblocare. Returnați mașina la un centru de service Makita pentru efectuarea reparațiilor corespunzătoare ÎNAINTE de a continua utilizarea acesteia.
- Nu blocați NICIODATĂ butonul de deblocare cu bandă adezivă și nu dezactivați NICIODATĂ funcția acestuia.

MONTARE

⚠️ATENȚIE:

- Asigurați-vă că ați oprit mașina și că ați debransat-o de la rețea înainte de a o regla sau de a verifica starea sa de funcționare.

Demontarea sau montarea pânzei de ferăstrău

⚠️ATENȚIE:

- Asigurați-vă că pânda este montată cu dinții îndreptați în sus în partea frontală a mașinii.
- Folosiți numai cheia Makita la montarea și demontarea pânzei.

► Fig.12: 1. Cheie inbus 2. Pârghie de blocare a axului 3. Deșurubați 4. Strângere

Pentru a demonta pânda, apăsați pârghia de blocare a axului astfel încât pânda să nu se poată roti și folosiți cheia pentru a deșuruba șurubul cu cap hexagonal în sens anti-orar. Apoi îndepărtați șurubul cu cap hexagonal, flanșa exterioră și pânda.

► Fig.13: 1. Flanșă interioară 2. Pânză de ferăstrău 3. Flanșă exterioră 4. Șurub cu cap hexagonal

La schimbarea pânzei, aveți grijă să curățați și rumegușul acumulat pe apărătoarea superioară și inferioară a pânzei. Această operație însă, nu elimină necesitatea de a verifica funcționarea apărătoarei inferioare înainte de fiecare utilizare.

Pentru mașină cu flanșă interioară pentru o pânză de ferăstrău cu un orificiu diferit de orificiul cu diametru de 15,88 mm

► Fig.14: 1. Ax de montare 2. Flanșă interioară 3. Pânză de ferăstrău 4. Flanșă exterioră 5. Șurub cu cap hexagonal

Flanșa interioară are o proeminență cu un anumit diametru pe o parte și o proeminență cu un diametru diferit pe cealaltă parte. Alegeți partea corectă cu proeminența care se încadrează perfect în orificiul pânzei de ferăstrău. Apoi, montați flanșa interioară pe axul de montare, astfel încât partea corectă a proeminenței de pe flanșa interioară să fie orientată în exterior și apoi instalați pânda de ferăstrău și flanșa exterioră. ASIGURAȚI-VĂ CĂ STRÂNGEȚI FERM ȘURUBUL CU CAP HEXAGONAL, ÎN SENSUL ACELOR DE CEASORNIC.

ATENȚIE:

- Asigurați-vă că proeminența "a" de pe flanșă interioară, poziționată în exterior, se încadrează perfect în orificiul "a" al pânzei de ferăstrău. Montarea pânzei pe partea incorectă poate duce la vibrații periculoase.

Pentru mașină cu flanșă interioară pentru o pânză de ferăstrău cu orificiul cu diametru de 15,88 mm (în funcție de țară)

- **Fig.15:** 1. Ax de montare 2. Flanșă interioară 3. Pânză de ferăstrău 4. Flanșă exterioară 5. Șurub cu cap hexagonal

- **Fig.16:** 1. Ax de montare 2. Flanșă interioară 3. Pânză de ferăstrău 4. Flanșă exterioară 5. Șurub cu cap hexagonal 6. Inel

Montați flanșa interioară cu cavitatea orientată în exterior spre axul de montare, apoi instalați pânza de ferăstrău (cu inelul atașat dacă este necesar), flanșa exterioară și șurubul cu cap hexagonal.

ASIGURAȚI-VĂ CĂ STRÂNGEȚI FERM ȘURUBUL CU CAP HEXAGONAL, ÎN SENSUL ACELOR DE CEASORNIC.

AVERTIZARE:

- Înainte de a monta pânza pe arbore, asigurați-vă întotdeauna că pe arbore este instalat inelul de arbore corect pentru pânza pe care intenționați să o folosiți. Utilizarea unui inel de arbore incorect poate duce la montarea necorespunzătoare a pânzei, rezultând mișcarea și vibrarea puternică a acesteia, posibila pierdere a controlului și accidentări grave.

Depozitarea cheii inbus

- **Fig.17:** 1. Cheie inbus

Atunci când nu este utilizată, depozitați cheia inbus după cum se vede în figură pentru a nu se pierde.

Conectarea unui aspirator (Accesoriu opțional)

- **Fig.18:** 1. Duză de praf 2. Șurub

- **Fig.19:** 1. Aspirator 2. Furtun

Dacă doriți să executați operații de tăiere curate, conectați la mașina dumneavoastră un aspirator Makita. Instalați duza de praf la mașină folosind șurubul. Apoi conectați un furtun al aspiratorului la duza de praf în modul prezentat în figură.

FUNȚIONARE

ATENȚIE:

- Aveți grijă să deplasați mașina lent înainte, în linie dreaptă. Forțarea sau răsucirea mașinii vor avea ca efect supraîncălzirea motorului și reculuri periculoase, prezentând risc de vătămare gravă.
- Folosiți întotdeauna un mâner frontal și unul posterior și țineți mașina ferm de mânerul frontal și mânerul posterior în timpul lucrului.

► Fig.20

Țineți mașina ferm. Mașina este prevăzută cu un mâner frontal și unul posterior. Folosiți-le pe ambele pentru a apuca ferm mașina. Dacă ambele mâini sunt fixate pe ferăstrău, acestea nu pot fi tăiate de pânză. Așezați talpa pe piesa de prelucrat fără ca pânza să intre în contact cu aceasta. Apoi porniți mașina și așteptați ca pânza să atingă viteza maximă. Apoi deplasați pur și simplu mașina înainte pe suprafața piesei de prelucrat, menținând-o în poziție orizontală și avansând lent până la finalizarea tăierii.

Pentru a obține tăieturi curate, mențineți o linie de tăiere dreaptă și o viteză de avans uniformă. Dacă nu reușiți să urmăriți corect linia de tăiere preconizată, nu încercați să rotiți sau să forțați mașina înapoi către linia de tăiere. Această acțiune poate bloca pânza și poate provoca reculuri periculoase cu posibile vătămări grave. Eliberați butonul declanșator, așteptați ca pânza să se oprească și apoi retrageți mașina. Realiniați mașina cu noua linie de tăiere și reîncepeți tăierea. Încercați să evitați pozițiile care expun operatorul la așchile și rumegușul aruncate de ferăstrău. Folosiți ochelari de protecție pentru a evita răniurile.

Riglă de ghidare (Regulă de ghidare) (accesoriu opțional)

- **Fig.21:** 1. Șurub de strângere 2. Riglă de ghidare

Riglă de ghidare practică vă permite să executați tăieri drepte extrem de precise. Glisați pur și simplu rigla de ghidare pe latura piesei de prelucrat și fixați-o în poziție cu șurubul de strângere de la partea din față a tălpilor. Aceasta permite, de asemenea, executarea tăierilor repetate cu lățime uniformă.

ÎNȚREȚINERE

⚠️ ATENȚIE:

- Asigurați-vă că ați oprit mașina și că ați debransat-o de la rețea înainte de a efectua operațiuni de verificare sau întreținere.
- **Curățați apărătoarea superioară și apărătoarea inferioară pentru a vă asigura că nu există rumeguș acumulat care ar putea obstrucționa funcționarea sistemului de protecție.** Un sistem de protecție murdar ar putea limita funcționarea corectă, rezultând accidente personale grave. Cel mai eficient mod de a obține această curățare este folosind aer comprimat. **Dacă rumegușul este suflat dinspre apărători, asigurați-vă că utilizați protecție adecvată pentru ochi și respirație.**
- Nu utilizați niciodată gazolină, benzină, diluant, alcool sau alte substanțe asemănătoare. În caz contrar, pot rezulta decolorări, deformări sau fisuri.

Reglarea paralelismului

► Fig.22: 1. Șurub

Paralelismul dintre lamă și talpă a fost reglat din fabrică. Dacă însă are loc o deplasare, puteți regla paralelismul conform procedurii următoare.

Asigurați-vă că toate manetele și șuruburile sunt strânse. Slăbiți ușor strângerea șurubului în modul ilustrat. În timp ce deschideți apărătoarea inferioară, mișcați talpa spate astfel încât distanțele A și B să fie egale. După reglare, strângeți șurubul. Efectuați o tăiere de probă pentru a obține paralelismul corect.

Reglarea preciziei tăierii la 0°

► Fig.23: 1. Șurub

► Fig.24: 1. Echer

Acest reglaj este efectuat din fabrică. Dacă însă apare o dereglare, ajustați șuruburile de reglare cu o cheie inbus în timp ce verificați unghiul de 0° al pânzei față de talpă folosind un echer sau un vinclu etc.

Înlocuirea periilor de carbon

► Fig.25: 1. Marcaj limită

Detashați periile de carbon și verificați-le în mod regulat. Schimbați-le atunci când s-au uzat până la marcajul limită. Periile de carbon trebuie să fie în permanență curate și să alunece ușor în suport. Ambele perii de carbon trebuie să fie înlocuite simultan cu alte perii identice.

► Fig.26: 1. Șurubelniță 2. Capacul suportului pentru perii

Folosiți o șurubelniță pentru a îndepărta capacul suportului periilor de carbon. Scoateți periile de carbon uzate și fixați capacul pentru periile de carbon.

Pentru a menține siguranța și fiabilitatea mașinii, reparațiile și reglajele trebuie să fie efectuate numai la Centrele de service autorizat Makita, folosindu-se piese de schimb Makita.

ACCESORII OPȚIONALE

⚠️ ATENȚIE:

- Folosiți accesoriile sau piesele auxiliare recomandate pentru mașina dumneavoastră în acest manual. Utilizarea oricăror alte accesorii sau piese auxiliare poate cauza vătămări. Folosiți accesoriile pentru operațiunea pentru care au fost concepute.

Dacă aveți nevoie de asistență sau de mai multe detalii referitoare la aceste accesorii, adresați-vă centrului local de service Makita.

- Pânze de ferăstrău
- Rigla de ghidare (Regulă de ghidare)
- Șină de ghidare
- Adaptor pentru șina de ghidare
- Riglă gradată
- Duză de praf
- Cheie inbus

NOTĂ:

- Unele articole din listă pot fi incluse ca accesorii standard în ambalajul de scule. Acestea pot diferi în funcție de țară.

TECHNISCHE DATEN

Modell		HS7601
Sägeblattdurchmesser		190 mm
Max. Schnitttiefe	0°	66 mm
	45°	46 mm
Leerlaufdrehzahl		5.200 min ⁻¹
Gesamtlänge		309 mm
Netto-Gewicht		3,7 kg
Sicherheitsklasse		□/II

- Wir behalten uns vor, Änderungen der technischen Daten im Zuge der Entwicklung und des technischen Fortschritts ohne vorherige Ankündigung vorzunehmen.
- Die technischen Daten können von Land zu Land unterschiedlich sein.
- Gewicht nach EPTA-Verfahren 01/2014

Verwendungszweck

Das Werkzeug wurde für Längs- und Querschnitte sowie Gehrungsschnitte mit Winkeln in Holz bei engem Kontakt mit dem Werkstück entwickelt. Mit geeigneten Original-Sägeblättern von Makita können auch andere Materialien gesägt werden.

Stromversorgung

Das Werkzeug darf ausschließlich an Einphasen-Wechselstrom mit der auf dem Typenschild angegebenen Spannung angeschlossen werden. Das Werkzeug verfügt über ein doppelt isoliertes Gehäuse und kann daher auch an einer Stromversorgung ohne Schutzkontakt betrieben werden.

Geräuschpegel

Die typischen A-bewerteten Geräuschpegel, bestimmt gemäß EN62841:

- Schalldruckpegel (L_{pA}): 92 dB (A)
- Schallleistungspegel (L_{WA}): 103 dB (A)
- Abweichung (K): 3 dB (A)

Tragen Sie Gehörschutz

Schwingung

Schwingungsgesamtwerte (Vektorsumme dreier Achsen) nach EN62841:

- Arbeitsmodus: Schneiden von Holz
- Schwingungsbelastung ($a_{h,w}$): 2,5 m/s² oder weniger
- Abweichung (K): 1,5 m/s²

HINWEIS: Die deklarierte Schwingungsbelastung wurde gemäß der Standardtestmethode gemessen und kann für den Vergleich von Werkzeugen untereinander verwendet werden.

HINWEIS: Die deklarierte Schwingungsbelastung kann auch in einer vorläufigen Bewertung der Gefährdung verwendet werden.

⚠️ WARNUNG: Die Schwingungsbelastung während der tatsächlichen Anwendung des Elektrowerkzeugs kann in Abhängigkeit von der Art und Weise der Verwendung des Werkzeugs vom deklarierten Belastungswert abweichen.

⚠️ WARNUNG: Stellen Sie sicher, dass Schutzmaßnahmen für den Bediener getroffen werden, die auf den unter den tatsächlichen Arbeitsbedingungen zu erwartenden Belastungen beruhen (beziehen Sie alle Bestandteile des Arbeitsablaufs ein, also zusätzlich zu den Arbeitszeiten auch Zeiten, in denen das Werkzeug ausgeschaltet ist oder ohne Last läuft).

EG-Konformitätserklärung

Nur für europäische Länder

Die EG-Konformitätserklärung ist als Anhang A in dieser Bedienungsanleitung enthalten.

Allgemeine Sicherheitswarnungen für Elektrowerkzeuge

⚠️ WARNUNG: Lesen Sie alle mit diesem Elektrowerkzeug gelieferten Sicherheitswarnungen, Anweisungen, Abbildungen und technischen Daten durch. Eine Missachtung der unten aufgeführten Anweisungen kann zu einem elektrischen Schlag, Brand und/oder schweren Verletzungen führen.

Bewahren Sie alle Warnungen und Anweisungen für spätere Bezugnahme auf.

Der Ausdruck „Elektrowerkzeug“ in den Warnhinweisen bezieht sich auf Ihr mit Netzstrom (mit Kabel) oder Akku (ohne Kabel) betriebenes Elektrowerkzeug.

Sicherheitswarnungen für Kreissäge

Schneidverfahren

1. **⚠️GEFAHR:** Halten Sie Ihre Hände vom **Schnittbereich und vom Sägeblatt fern. Halten Sie mit der zweiten Hand den Zusatzgriff oder das Motorgehäuse.** Wenn beide Hände die Säge halten, können sie nicht durch das Sägeblatt verletzt werden.
 2. **Fassen Sie nicht unter das Werkstück.** Die Schutzhaube bietet keinen Schutz auf der Unterseite des Werkstücks.
 3. **Stellen Sie die Schnitttiefe auf die Dicke des Werkstücks ein.** Das Sägeblatt darf nicht mehr als eine Zahnlänge auf der Unterseite des Werkstücks überstehen.
 4. **Halten Sie das Werkstück beim Schneiden niemals in Ihren Händen oder auf den Beinen. Sichern Sie das Werkstück auf einer stabilen Plattform.** Es ist wichtig, das Werkstück sachgemäß abzustützen, um Körperaussetzung, Klemmen des Sägeblatts oder Verlust der Kontrolle auf ein Minimum zu reduzieren.
- **Abb.1**
5. **Halten Sie das Elektrowerkzeug an den isolierten Griffflächen, wenn Sie Arbeiten ausführen, bei denen die Gefahr besteht, dass das Schneidwerkzeug verborgene Kabel oder das eigene Kabel kontaktiert.** Bei Kontakt mit einem Strom führenden Kabel können die freiliegenden Metallteile des Elektrowerkzeugs ebenfalls Strom führend werden, so dass der Benutzer einen elektrischen Schlag erleiden kann.
 6. **Verwenden Sie beim Längssägen stets einen Parallelanschlag oder ein Richtlineal.** Dadurch wird die Schnittgenauigkeit verbessert und die Gefahr von Sägeblatt-Klemmen reduziert.
 7. **Verwenden Sie stets Sägeblätter, deren Spindelbohrung die korrekte Größe und Form (rautenförmig oder rund) hat.** Sägeblätter, die nicht genau auf den Montageflansch der Säge passen, rotieren exzentrisch und verursachen den Verlust der Kontrolle.
 8. **Verwenden Sie niemals beschädigte oder falsche Sägeblattscheiben oder -schrauben.** Die Sägeblattscheiben und -schrauben sind speziell für Ihre Säge vorgesehen, um optimale Leistung und Betriebssicherheit zu gewährleisten.

Rückschlagursachen und damit zusammenhängende Warnungen

- Ein Rückschlag ist eine plötzliche Reaktion auf ein eingeklemmtes, blockiertes oder falsch ausgerichtetes Sägeblatt, der ein unkontrolliertes Anheben und Herauspringen der Säge aus dem Werkstück in Richtung der Bedienungsperson verursacht.
- Wenn das Sägeblatt durch den sich schließenden Sägeschlitz eingeklemmt oder blockiert wird, bleibt das Sägeblatt stehen, und die Motorreaktion drückt die Säge plötzlich in Richtung der Bedienungsperson zurück.
- Falls das Sägeblatt im Schnitt verdreht oder versetzt wird, können sich die Zähne an der Hinterkante des Sägeblatts in die Oberfläche des Holzstücks bohren, so dass sich das Sägeblatt aus dem Sägeschlitz heraushebt und in Richtung der Bedienungsperson zurückspringt.

Rückschlag ist das Resultat falscher Handhabung der Säge und/oder falscher Arbeitsverfahren oder -bedingungen und kann durch Anwendung der nachstehenden Vorsichtsmaßnahmen vermieden werden.

1. **Halten Sie die Säge mit beiden Händen fest, und positionieren Sie Ihre Arme so, dass sie die Rückschlagkräfte auffangen. Stellen Sie sich so, dass sich Ihr Körper seitlich vom Sägeblatt befindet, nicht auf gleicher Linie mit dem Sägeblatt.** Rückschlag kann Zurückspringen der Säge verursachen; doch wenn geeignete Vorkehrungen getroffen werden, können die Rückschlagkräfte von der Bedienungsperson unter Kontrolle gehalten werden.
2. **Falls das Sägeblatt klemmt oder der Schnitt aus irgendeinem Grund unterbrochen wird, lassen Sie den Ein-Aus-Schalter los, und halten Sie die Säge bewegungslos im Werkstück, bis das Sägeblatt zum völligen Stillstand kommt. Versuchen Sie niemals, die Säge bei noch rotierendem Sägeblatt vom Werkstück abzunehmen oder zurückzuziehen, weil es sonst zu einem Rückschlag kommen kann.** Nehmen Sie eine Überprüfung vor, und treffen Sie Abhilfemaßnahmen, um die Ursache von Sägeblatt-Klemmen zu beseitigen.
3. **Wenn Sie die Säge bei im Werkstück befindlichem Sägeblatt wieder einschalten, zentrieren Sie das Sägeblatt im Sägeschlitz, und vergewissern Sie sich, dass die Sägezähne nicht mit dem Werkstück im Eingriff sind.** Falls ein Sägeblatt klemmt, kann es beim Wiedereinschalten der Säge aus dem Werkstück herauschnellen oder zurückspringen.
4. **Stützen Sie große Platten ab, um die Gefahr von Klemmen und Rückschlagen des Sägeblatts auf ein Minimum zu reduzieren.** Große Platten neigen dazu, unter ihrem Eigengewicht durchzuhängen. Die Stützen müssen beidseitig der Schnittlinie und in der Nähe der Plattenkante unter der Platte platziert werden.

► **Abb.2**

► **Abb.3**

5. **Verwenden Sie keine stumpfen oder beschädigten Sägeblätter.** Unschärfe oder falsch angebrachte Sägeblätter erzeugen einen schmalen Sägeschlitz, der übermäßige Reibung, Sägeblatt-Klemmen und Rückschlag verursacht.
6. **Die Sägeblatttiefen- und Neigungseinstellungs-Arretierhebel müssen fest angezogen und gesichert sein, bevor der Schnitt ausgeführt wird.** Falls sich die Sägeblatteinstellung während des Sägens verstellt, kann es zu Klemmen und Rückschlag kommen.
7. **Lassen Sie beim Sägen in vorhandene Wände oder andere tote Winkel besondere Vorsicht walten.** Das vorstehende Sägeblatt kann Objekte durchschneiden, die Rückschlag verursachen können.
8. **Halten Sie das Werkzeug IMMER mit beiden Händen fest. Halten Sie NIEMALS Ihre Hand, Ihr Bein oder irgendeinen Körperteil unter die Werkzeugbasis oder hinter die Säge, insbesondere bei der Ausführung von Querschnitten.** Falls Rückschlag auftritt, besteht die Gefahr, dass die Säge über Ihre Hand zurückspringt und schwere Personenschäden verursacht.

► **Abb.4**

9. **Wenden Sie keine Gewalt auf die Säge an. Schieben Sie die Säge mit einer Geschwindigkeit vor, dass das Sägeblatt nicht abgebremst wird.** Gewaltanwendung kann ungleichmäßige Schnitte, Verlust der Genauigkeit und möglichen Rückschlag verursachen.

Funktion der Schutzhaube

1. **Überprüfen Sie die untere Schutzhaube vor jeder Benutzung auf einwandfreies Schließen. Betreiben Sie die Säge nicht, falls sich die untere Schutzhaube nicht ungehindert bewegt und sofort schließt. Die untere Schutzhaube darf auf keinen Fall in der geöffneten Stellung festgeklemmt oder festgebunden werden.**
Wird die Säge versehentlich fallen gelassen, kann die untere Schutzhaube verbogen werden. Heben Sie die untere Schutzhaube mit dem Rückzuggriff an, und vergewissern Sie sich, dass sie sich ungehindert bewegt und bei allen Winkel- und Schnitttiefen-Einstellungen nicht mit dem Sägeblatt oder irgendeinem anderen Teil in Berührung kommt.
2. **Überprüfen Sie die Funktion der Feder der unteren Schutzhaube. Falls Schutzhaube und Feder nicht einwandfrei funktionieren, müssen die Teile vor der Benutzung gewartet werden.**
Falls beschädigte Teile, klebrige Ablagerungen oder Schmutzansammlung vorhanden sind, kann die untere Schutzhaube schwergängig werden.
3. **Die untere Schutzhaube sollte nur für spezielle Schnitte, wie „Tauschnitte“ und „Doppelwinkelschnitte“, manuell zurückgezogen werden. Heben Sie die untere Schutzhaube mit dem Rückzuggriff an, und sobald das Sägeblatt in das Werkstück eindringt, muss die untere Schutzhaube losgelassen werden.** Für alle anderen Sägearbeiten sollte die untere Schutzhaube automatisch betätigt werden.
4. **Vergewissern Sie sich stets, dass die untere Schutzhaube das Sägeblatt verdeckt, bevor Sie die Säge auf der Werkbank oder dem Boden ablegen.** Ein ungeschützt auslaufendes Sägeblatt bewirkt Rückwärtskriechen der Säge und schneidet alles, was sich in seinem Weg befindet. Berücksichtigen Sie die Auslaufzeit des Sägeblatts bis zum Stillstand nach dem Loslassen des Schalters.
5. **Öffnen Sie die untere Schutzhaube probeweise von Hand, und achten Sie beim Loslassen darauf, dass sie sich einwandfrei schließt. Vergewissern Sie sich auch, dass der Rückzuggriff nicht mit dem Werkzeuggehäuse in Berührung kommt.** Die Bloßstellung des Sägeblatts ist SEHR GEFÄHRLICH und kann zu schweren Verletzungen führen.

Zusätzliche Sicherheitswarnungen

1. **Lassen Sie beim Schneiden von feuchtem Holz, druckbehandeltem Bauholz oder Astholz besondere Vorsicht walten.** Behalten Sie einen gleichmäßigen Vorschub des Werkzeugs bei, ohne dass sich die Sägeblattdrehzahl verringert, um Überhitzen der Sägeblattzähne zu vermeiden.
2. **Versuchen Sie nicht, abgeschnittenes Material bei rotierendem Sägeblatt zu entfernen.** Warten Sie, bis das Sägeblatt zum Stillstand kommt, bevor Sie abgeschnittenes Material wegnehmen. Das Sägeblatt läuft nach dem Ausschalten noch nach.
3. **Vermeiden Sie das Schneiden von Nägeln. Überprüfen Sie Bauholz vor dem Schneiden auf Nägel, und entfernen Sie etwaige Nägel.**

4. **Setzen Sie den breiteren Teil der Grundplatte auf den fest abgestützten Teil des Werkstücks, nicht auf den Teil, der nach dem Schnitt herunterfällt. Kurze oder kleine Werkstücke müssen eingespannt werden. VERSUCHEN SIE NICHT, KURZE WERKSTÜCKE MIT DER HAND ZU HALTEN!**

► Abb.5

5. **Bevor Sie das Werkzeug nach Ausführung eines Schnitts absetzen, vergewissern Sie sich, dass sich die Schutzhaube geschlossen hat und das Sägeblatt zu vollständigem Stillstand gekommen ist.**
 6. **Versuchen Sie niemals, die Kreissäge zum Sägen verkehrt herum in einen Schraubstock einzuspannen. Dies ist sehr gefährlich und kann zu schweren Unfällen führen.**
- Abb.6
7. **Manche Materialien können giftige Chemikalien enthalten. Treffen Sie Vorsichtsmaßnahmen, um das Einatmen von Arbeitsstaub und Hautkontakt zu verhindern. Befolgen Sie die Sicherheitsdaten des Materiallieferanten.**
 8. **Bremsen Sie die Säge nicht durch seitlichen Druck auf das Sägeblatt ab.**
 9. **Verwenden Sie keine Schleifscheiben.**
 10. **Verwenden Sie nur Sägeblätter mit einem Durchmesser, der am Werkzeug markiert oder im Handbuch angegeben ist.** Die Verwendung eines Sägeblatts mit falscher Größe kann den einwandfreien Schutz des Sägeblatts oder den Schutzbetrieb beeinträchtigen, was ernsthaften Personenschaden zur Folge haben kann.
 11. **Halten Sie das Sägeblatt scharf und sauber.** An den Sägeblättern haftendes und verhärtetes Gummi und Harz verlangsamen die Säge und erhöhen die Rückschlaggefahr. Halten Sie das Sägeblatt sauber, indem Sie es vom Werkzeug abmontieren und dann mit Gummi- und Harzentferner, heißem Wasser oder Petroleum reinigen. Verwenden Sie niemals Benzin.
 12. **Tragen Sie bei der Benutzung des Werkzeugs eine Staubmaske und einen Gehörschutz.**
 13. **Verwenden Sie immer das zum Schneiden des jeweiligen Arbeitsmaterials vorgesehene Sägeblatt.**
 14. **Verwenden Sie nur Sägeblätter, die mit einer Drehzahl markiert sind, die der am Werkzeug angegebenen Drehzahl entspricht oder diese übertrifft.**
 15. **(Nur für europäische Länder)**
Verwenden Sie immer ein Sägeblatt, das EN847-1 entspricht.

DIESE ANWEISUNGEN AUFBEWAHREN.

⚠️ WARNUNG: Lassen Sie sich NICHT durch Bequemlichkeit oder Vertrautheit mit dem Produkt (durch wiederholten Gebrauch erworben) von der strikten Einhaltung der Sicherheitsregeln für das vorliegende Produkt abhalten. MISSBRAUCH oder Missachtung der Sicherheitsvorschriften in dieser Anleitung können schwere Personenschäden verursachen.

FUNKTIONSBESCHREIBUNG

⚠ VORSICHT:

- Überzeugen Sie sich immer vor dem Einstellen des Werkzeugs oder der Kontrolle seiner Funktion, dass es abgeschaltet und der Stecker aus der Dose gezogen ist.

Einstellen der Schnitttiefe

⚠ VORSICHT:

- Ziehen Sie den Hebel nach Einstellung der Schnitttiefe stets fest an.

► Abb.7: 1. Hebel

Lösen Sie den Hebel an der Tiefenführung und verstellen Sie den Gleitschuh nach oben oder unten. Arretieren Sie den Gleitschuh an der gewünschten Schnitttiefe durch Festziehen des Hebels. Für einen sauberen, sicheren Schnitt stellen Sie die Schnitttiefe so ein, dass nur maximal ein Sägeblattzahn unter dem Werkstück herausragt. Die Verwendung der richtigen Schnitttiefe minimiert die Gefahr von RÜCKSCHLÄGEN, die zu Personenschäden führen können.

Gehrungsschnitt

► Abb.8: 1. Klemmschraube

► Abb.9: 1. Klemmschraube

Lösen Sie die Feststellschrauben. Stellen Sie durch entsprechendes Neigen den gewünschten Winkel ein ($0^\circ - 45^\circ$), und ziehen Sie dann die Feststellschrauben wieder fest an.

Schnittlinie

► Abb.10: 1. Schnittlinie (0° -Position) 2. Schnittlinie (45° -Position)

Für Geradschnitte richten Sie Ihre Schnittlinie an der 0° -Position auf der Vorderseite des Gleitschuhs aus. Für 45° -Gehrungsschnitte, richten Sie die Schnittlinie an der 45° -Position aus.

Einschalten

⚠ VORSICHT:

- Achten Sie vor dem Einstecken des Netzsteckers des Werkzeugs in die Steckdose darauf, dass sich der Ein/Aus-Schalter korrekt bedienen lässt und beim Loslassen in die Position "OFF" (AUS) zurückkehrt.
- Drücken Sie niemals mit Gewalt auf den Auslöseschalter, ohne dabei die Entsperrungstaste zu betätigen. Dies kann zu einer Beschädigung des Schalters führen.

► Abb.11: 1. Griffschalter 2. Entsperrungstaste

Damit der Auslöseschalter nicht versehentlich betätigt wird, befindet sich am Werkzeug eine Entsperrungstaste. Um das Werkzeug zu starten, drücken Sie zuerst die Entsperrungstaste und betätigen den Auslöseschalter. Lassen Sie zum Ausschalten des Werkzeugs den Auslöseschalter los.

⚠ WARNUNG:

- Zu Ihrer Sicherheit ist das vorliegende Werkzeug mit einer Entsperrungstaste ausgestattet, um zu verhindern, dass das Werkzeug versehentlich gestartet wird. Verwenden Sie NIEMALS das Werkzeug, wenn es durch einfaches Betätigen des Auslöseschalters startet, ohne dass Sie dabei die Entsperrungstaste drücken. Geben Sie VOR dem weiteren Gebrauch das Werkzeug an ein Makita-Servicecenter, um es dort ordnungsgemäß reparieren zu lassen.
- Kleben Sie NIEMALS die Entsperrungstaste zu oder verändern diese, so dass sie ihren Zweck und ihre Funktion nicht mehr erfüllt.

MONTAGE

⚠ VORSICHT:

- Überzeugen Sie sich immer vor dem Einstellen des Werkzeugs oder der Kontrolle seiner Funktion, dass es abgeschaltet und der Stecker aus der Dose gezogen ist.

Montage und Demontage des Sägeblatts

⚠ VORSICHT:

- Montieren Sie das Sägeblatt so, dass seine Zähne an der Vorderseite der Maschine nach oben zeigen.
- Verwenden Sie nur den mitgelieferten Makita-Schlüssel zum Demontieren oder Montieren des Sägeblatts.

► Abb.12: 1. Sechskantschlüssel 2. Spindelarretierung 3. Lösen 4. Anziehen

Zur Demontage des Sägeblatts drücken Sie die Spindelarretierung, um ein Drehen des Sägeblatts zu verhindern, und lösen Sie die Sechskantschraube durch Linksdrehung des Sechskantschlüssels. Nehmen Sie dann Sechskantschraube, Außenflansch und Sägeblatt ab.

► Abb.13: 1. Innenflansch 2. Sägeblatt 3. Außenflansch 4. Sechskantschraube

Vergessen Sie beim Austausch des Sägeblatts nicht, das angefallene Sägemehl vom oberen und unteren Blattschutz zu entfernen. Dies ersetzt jedoch nicht vor jeder Inbetriebnahme die Überprüfung der Funktion der beweglichen Schutzhaube.

Für Werkzeuge mit dem Innenflansch für ein Sägeblatt mit einem anderen Lochdurchmesser als 15,88 mm

► Abb.14: 1. Befestigungsschraube 2. Innenflansch 3. Sägeblatt 4. Außenflansch 5. Sechskantschraube

Der Innenflansch hat einen speziellen Durchmesservorsprung auf einer Seite und einen anderen Durchmesservorsprung auf der anderen Seite. Wählen Sie die richtige Seite, bei der der Vorsprung perfekt in das Sägeblattloch passt.

Befestigen Sie nun den Innenflansch auf den Montageschaft, so dass die richtige Seite mit dem Vorsprung am Innenflansch nach außen zeigt; setzen Sie anschließend Sägeblatt und Außenflansch ein. ZIEHEN SIE DIE SCHRAUBE IM UHRZEIGERSINN FEST AN.

⚠ VORSICHT:

- **Vergewissern Sie sich, dass der Vorsprung "a" am Innenflansch perfekt in das Sägeblattloch passt.** Das Anbringen des Blattes auf der falschen Seite kann zu gefährlichen Vibrationen führen.

Für Werkzeuge mit Innenflansch für ein Sägeblatt mit 15,88 mm Lochdurchmesser (Länderspezifisch)

► **Abb.15:** 1. Befestigungsschaft 2. Innenflansch 3. Sägeblatt 4. Außenflansch 5. Sechskantschraube

► **Abb.16:** 1. Befestigungsschaft 2. Innenflansch 3. Sägeblatt 4. Außenflansch 5. Sechskantschraube 6. Ring

Befestigen Sie den Innenflansch mit dem abgestuften Bereich nach außen auf den Montageschaft; setzen Sie anschließend Sägeblatt (bei Bedarf mit Ring), Außenflansch und Sechskantschraube ein. ZIEHEN SIE DIE SECHSKANTSCHRAUBE IM UHRZEIGERSINN FEST AN.

⚠ WARNUNG:

- **Bevor Sie das Sägeblatt auf der Spindel anbringen, sollten Sie immer sicherstellen, dass der richtige Ring für das Spindelloch des Sägeblatts, das Sie verwenden möchten, zwischen dem Innen- und dem Außenflansch angebracht ist.** Die Verwendung eines Spindellockrings nicht der richtigen Größe führt zu einer fehlerhaften Montage des Sägeblatts und kann so eine Verschiebung des Sägeblatts und heftige Schwingungen verursachen, die zu einem möglichen Kontrollverlust während des Betriebs und schweren Verletzungen führen.

Aufbewahrung des Sechskantschlüssels

► **Abb.17:** 1. Sechskantschlüssel

Wenn Sie den Sechskantschlüssel nicht verwenden, bewahren Sie ihn wie in der Abbildung dargestellt auf, damit er nicht verloren geht.

Anschließen eines Staubsaugers (optionales Zubehör)

► **Abb.18:** 1. Absaugstutzen 2. Schraube

► **Abb.19:** 1. Staubsauger 2. Schlauch

Um größere Sauberkeit bei der Arbeit zu erzielen, schließen Sie einen Makita-Staubsauger an Ihr Werkzeug an. Montieren Sie den Absaugstutzen mit der Schraube an der Maschine. Schließen Sie dann den Schlauch eines Staubsaugers an den Stutzen wie in der Abbildung dargestellt an.

ARBEIT

⚠ VORSICHT:

- Schieben Sie das Werkzeug beim Schneiden stets sachte vor. Übermäßige Druckausübung oder Verdrehen des Werkzeugs bewirken eine Überhitzung des Motors und gefährliche Rückschläge, die möglicherweise zu schweren Verletzungen führen können.
- Verwenden Sie stets einen vorderen und hinteren Griff, und halten Sie während der Arbeit das Werkzeug am vorderen und hinteren Griff sicher fest.

► Abb.20

Halten Sie das Werkzeug mit festem Griff. Das Werkzeug verfügt sowohl über einen vorderen als auch einen hinteren Griff. Verwenden Sie beide Griffe, um so bestmöglich das Werkzeug zu umfassen. Wenn Sie die Säge mit beiden Händen festhalten, vermeiden Sie Verletzungen durch das Sägeblatt. Setzen Sie den Gleitschuh auf das zu schneidende Werkstück auf, ohne dass das Sägeblatt mit ihm in Berührung kommt. Schalten Sie anschließend das Werkzeug ein und warten Sie, bis das Sägeblatt die volle Drehzahl erreicht hat. Schieben Sie nun das Werkzeug flach und gleichmäßig über die Oberfläche des Werkstücks vor, bis der Schnitt vollendet ist.

Für saubere Schnitte halten Sie Ihre Schnittlinie gerade und die Geschwindigkeit gleichmäßig. Wenn der Schnitt nicht genau Ihrer beabsichtigten Schnittlinie folgt, versuchen Sie nicht, das Werkzeug zurück zur Schnittlinie zu drehen oder mit Gewalt zu schieben. Dies kann zum Einklemmen des Sägeblatts führen und somit zu einem gefährlichen Rückschlag und möglicherweise zu schweren Verletzungen. Betätigen Sie den Schalter, warten Sie auf den Stillstand des Sägeblatts und ziehen Sie dann das Werkzeug zurück. Setzen Sie das Werkzeug an der neuen Schnittlinie an und starten Sie den Sägevorgang erneut. Versuchen Sie dabei, Positionen zu vermeiden, in denen der Bediener den entstehenden Sägespänen und -staub ausgesetzt ist. Tragen Sie eine Schutzbrille, um Verletzungen zu vermeiden.

Parallelanschlag (Führungsschiene) (Sonderzubehör)

► **Abb.21:** 1. Klemmschraube 2. Parallelanschlag

Der praktische Parallelanschlag ermöglicht die Ausführung besonders genauer Geradschnitte. Schieben Sie den Parallelanschlag einfach satt anliegend gegen die Werkstückkante, und sichern Sie ihn mit der Feststellschraube an der Vorderseite des Gleitschuhs. Wiederholte Schnitte auf gleiche Breite sind ebenfalls möglich.

WARTUNG

⚠ VORSICHT:

- Bevor Sie mit der Kontrolle oder Wartung des Werkzeugs beginnen, überzeugen Sie sich immer, dass es ausgeschaltet und der Stecker aus der Steckdose herausgezogen ist.
- **Reinigen Sie die oberen und unteren Schutzhauben, um sicherzustellen, dass sich kein Sägemehl ansammelt, das die Funktion der unteren Schutzeinrichtung beeinträchtigen könnte.** Eine verschmutzte Schutzeinrichtung kann in ihrer ordnungsgemäße Funktion eingeschränkt sein, was zu schweren Verletzungen führen kann. Druckluft hat sich als effektivste Methode zur Reinigung erwiesen. **Wenn das Sägemehl aus den Schutzhauben geblasen wird, ist sicherzustellen, dass entsprechender Augen- und Atemschutz getragen wird.**
- Verwenden Sie zum Reinigen niemals Kraftstoffe, Benzin, Verdünnern, Alkohol oder ähnliches. Dies kann zu Verfärbungen, Verformungen oder Rissen führen.

Einstellen auf Parallelität

► Abb.22: 1. Schraube

Die Parallelität zwischen Gleitschuh und Sägeblatt wurde werkseitig eingestellt. Sollte die Parallelität jedoch nicht mehr gegeben sein, können Sie die Parallelität wie folgt einstellen. Stellen Sie sicher, dass alle Hebel und Schrauben festgezogen sind. Lösen Sie die Schrauben etwas, wie dargestellt. Öffnen Sie die untere Schutzhaube und verschieben Sie die hintere Seite des Gleitschuhs so, dass die Abstände A und B gleich sind. Ziehen Sie nach dem Ausrichten die Schraube fest. Führen Sie einen Probeschnitt aus, um die Parallelität zu überprüfen.

Einstellen der Genauigkeit der 0°-Schnitte

► Abb.23: 1. Schraube

► Abb.24: 1. Einstelldreieck

Diese Einstellung wurde werkseitig vorgenommen. Sollte sie verstellt sein, müssen Sie die Einstellschrauben mit einem Innensechskantschlüssel nachjustieren, während das Sägeblatt mit Hilfe eines Einstelldreiecks, Anschlagwinkels, etc. in einen Winkel von 0° zum Gleitschuh gebracht wird.

Kohlenwechsel

► Abb.25: 1. Grenzmarke

Nehmen Sie die Kohlen regelmäßig heraus und wechseln Sie sie. Wenn sie bis zur Grenzmarke verbraucht sind, müssen sie ausgewechselt werden. Die Kohlen müssen sauber sein und locker in ihre Halter hineinfallen. Die beiden Kohlen müssen gleichzeitig ausgewechselt werden. Verwenden Sie ausschließlich gleiche Kohlen.

► Abb.26: 1. Schraubendreher 2. Kohlenhalterdeckel

Schrauben Sie mit einem Schraubenzieher den Kohlenhalterdeckel ab. Wechseln Sie die verschlissenen Kohlen, legen Sie neue ein und schrauben Sie den Deckel wieder auf.

Zur Aufrechterhaltung der SICHERHEIT und ZUVERLÄSSIGKEIT des Produkts müssen die Reparaturen und alle Wartungen und Einstellungen von den autorisierten Servicestellen der Firma Makita und unter Verwendung der Ersatzteile von Makita durchgeführt werden.

SONDERZUBEHÖR

⚠ VORSICHT:

- Für Ihr Werkzeug Makita, das in dieser Anleitung beschrieben ist, empfehlen wir folgende Zubehörteile und Aufsätze zu verwenden. Bei der Verwendung anderer Zubehörteile oder Aufsätze kann die Verletzungsgefahr für Personen drohen. Die Zubehörteile und Aufsätze dürfen nur für ihre festgelegten Zwecke verwendet werden.

Wenn Sie nähere Informationen bezüglich dieses Zubehörs benötigen, wenden Sie sich bitte an Ihre örtliche Servicestelle der Firma Makita.

- Sägeblätter
- Parallelanschlag (Führungsschiene)
- Führungsschiene
- Führungsschienenadapter
- Messleiste
- Absaugstutzen
- Sechskantschlüssel

HINWEIS:

- Einige der in der Liste aufgeführten Elemente sind dem Werkzeugpaket als Standardzubehör beigelegt. Diese können in den einzelnen Ländern voneinander abweichen.

RÉSZLETES LEÍRÁS

Modell		HS7601
Fűrészlap átmérője		190 mm
Max. vágási mélység	0°-nál	66 mm
	45°-nál	46 mm
Üresjárat fordulatszám		5200 min ⁻¹
Teljes hossz		309 mm
Tiszta tömeg		3,7 kg
Biztonsági osztály		□/II

- Folyamatos kutató- és fejlesztőprogramunk eredményeként az itt felsorolt tulajdonságok figyelmeztetés nélkül megváltozhatnak.
- A tulajdonságok országról országra különbözhetnek.
- Súly, az EPTA 01/2014 eljárás szerint

Rendeltetésszerű használat

A szerszám hosszirányú és keresztirányú, ferde, egyenes és gérvágások végzésére használható faanyagokban, úgy, hogy közben szorosan érintkezik a munkadarabbal. A megfelelő eredeti Makita fűrészlapokkal egyéb anyagok is fűrészelhetők.

Tápfeszültség

A szerszámot kizárólag olyan egyfázisú, váltóáramú hálózatra szabad kötni, amelynek feszültsége meg egyezik az adattábláján szereplő feszültséggel. A szerszám kettős szigetelésű, ezért földelővezeték nélküli aljzatról is működtethető.

Zaj

A tipikus A-súlyozású zajszint, a EN62841 szerint meghatározva:

- Hangnyomáásszint (L_{pA}): 92 dB (A)
- Hangteljesítményszint (L_{WA}): 103 dB (A)
- Tűrés (K): 3 dB (A)

Viseljen fülvédőt

Vibráció

A vibráció teljes értéke (háromtengelyű vektorösszeg) EN62841 szerint meghatározva:

- Működési mód: favágás
- Rezgéskibocsátás ($a_{h,W}$): 2,5 m/s² vagy kevesebb
- Tűrés (K): 1,5 m/s²

MEGJEGYZÉS: A rezgéskibocsátás értéke a szabványos vizsgálati eljárásnak megfelelően lett mérve, és segítségével az elektromos kéziszerszámok összehasonlíthatók egymással.

MEGJEGYZÉS: A rezgéskibocsátás értékének segítségével előzetesen megbecsülhető a rezgésnek való kitettség mértéke.

▲ FIGYELMEZTETÉS: A szerszám rezgés-kibocsátása egy adott alkalmazásnál eltérhet a megadott értéktől a használat módjától függően.

▲ FIGYELMEZTETÉS: Határozza meg a kezelő védelmét szolgáló munkavédelmi lépéseket, melyek az adott munkafeltételek melletti vibrációs hatás becsült mértékén alapulnak (figyelembe véve a munkaciklus elemeit, mint például a gép leállításának és üresjáratának mennyiségét az elindítások száma mellett).

EK Megfelelőségi nyilatkozat

Csak európai országokra vonatkozóan

Az EK-megfelelőségi nyilatkozat az útmutató „A” mellékletében található.

A szerszámgépekre vonatkozó általános biztonsági figyelmeztetések

▲ FIGYELMEZTETÉS: Olvassa el a szerszám-géphez mellékelte összes biztonsági figyelmeztetést, utasítást, illusztrációt és a műszaki adatokat. A következőkben leírt utasítások figyelmen kívül hagyása elektromos áramütést, tüzet és/vagy súlyos sérülést eredményezhet.

Őrizzen meg minden figyelmeztetést és utasítást a későbbi tájékozódás érdekében.

A figyelmeztetéseken szereplő "szerszámgép" kifejezés az Ön hálózatról (vezetékes) vagy akkumulátorral (vezeték nélküli) működtetett szerszámgépére vonatkozik.

A körfűrészre vonatkozó biztonsági figyelmeztetések

Vágási eljárások

- ▲VESZÉLY:** Tartsa kezét távol a fűrészlap-tól és a vágás helyétől. Másik kezét tartsa a segédmarkolaton vagy a motorházon. Ha két kézzel tartja a fűrész, akkor a fűrészlap nem vághatja el a kezét.
- Ne nyúljon a munkadarab alá.** A védőburkolat nem tudja megvédeni Önt a fűrészlaptól a munkadarab alatt.
- Állítsa a vágási mélységet a munkadarab vastagságával megegyező értékre.** A munkadarab alatt a fűrészlapból egy teljes fognál kevesebbnek kel kilátszania.
- Vágás közben soha ne kézben tartsa, és soha ne fedtesse az ólébe a munkadarabot. Rögzítse a munkadarabot egy szilárd padozaton.** Nagyon fontos a munkadarab megfelelő alátámasztása, hogy elkerülje a személyi sérüléseket, a fűrészártárcsa meghajlását vagy a gép feletti irányítás elvesztését.

► Ábra1

- Tartsa az elektromos szerszámot a szigetelt markolófelületeinél fogva, amikor olyan műveletet végez, amelynél fennáll a veszélye, hogy a vágószerszám rejtett vezetőekbe vagy a saját vezetékébe ütközhet.** Feszültség alatt lévő vezetékkel való érintkezéskor a szerszám gépalkatrészei is feszültség alá kerülnek, és megrázzhatják a kezelőt.
- Párhuzamos vágáskor mindig használja a párhuzamvezetőt vagy egy egyenes szélvezetőt.** Ez javítja a vágás pontosságát, és csökkenti a fűrészlap meghajlásának esélyét.
- Mindig csak megfelelő méretű és alakú (gyémánt vagy kerek) tengelyfurattal rendelkező fűrészártárcsákat használjon.** Azok a fűrészártárcsák, amelyek nem illeszkednek a rögzítő alkatrészekhez, forgás közben nem maradnak közepén, ami irányíthatatlansághoz vezet.
- Soha ne használjon sérült vagy nem megfelelő alátétet vagy csavart a fűrészlaphoz.** A fűrészlap alátéteket és a fejescsavart speciálisan ehhez a szerszámmal tervezték, az optimális teljesítmény és a biztonságos működés biztosítása érdekében.

A visszarúgás okai és az ezzel kapcsolatos figyelmeztetések

- a visszarúgás a szerszám hirtelen reakciója beszorult, beakadt vagy rosszul álló fűrészártárcsa esetén, amely az irányíthatatlan szerszám felemelkedését és kilöködését okozza a munkadarabról a kezelő irányába;
- amikor a fűrészártárcsa beszorul vagy beakad az összezáródó fűrészjáratban, a fűrészártárcsa megáll, és a motor reakciója a gépet gyorsan a kezelő irányába lendíti;
- ha a fűrészlap megcsavarodik vagy nem áll megfelelően a vágatban, a fűrészlap fogai és hátsó széle belevája magát a munkadarab felső felületébe, miáltal a fűrészlap kiugrik a fűrészjáratból és a kezelő felé lendül.

A visszarúgás a szerszám helytelen használatának és/vagy a hibás megmunkálási eljárásnak az eredménye és az alább leírt óvintézkedések betartásával elkerülhető.

- Fogja stabilan a szerszámot mindkét kezével és tartsa úgy a karjait, hogy ellen tudjon állni a visszarúgáskor fellépő erőnek. Igazítsa a testét a fűrészlap valamelyik oldalára, de ne egy vonalba a fűrészlappal.** A visszarúgás a szerszám visszaugrását okozhatja, de a visszarúgáskor fellépő erőket a kezelő leküzdheti, ha a megfelelő óvintézkedéseket betartja.
- Amikor a fűrészlap meghajlott, vagy valamirett meg kell szakítania a vágási műveletet, engedje fel a kioldót és tartsa mozdulatlanul a fűrész az anyagban amíg teljesen meg nem áll. Soha ne próbálja eltávolítani a fűrész a munkadarabból vagy visszahúzni a fűrész amíg a fűrészlap mozgásban van, mert visszarúgás léphet fel.** Figyelje és korrigáló műveletekkel próbálja megelőzni a fűrészlap meghajlását.
- Amikor újra bekapcsolja a fűrész a munkadarabban, állítsa középre a fűrészártárcsát a fűrészjáratban és győződjön meg róla, hogy a fűrészfogak nem kapaszkodnak az anyagba.** Ha a fűrészártárcsa meghajlik, az kijöhet vagy visszarúghat a munkadarabból a szerszám újraindításakor.
- A nagyméretű falapokat támassza alá, hogy elkerülje a fűrészlap beszorulását és a visszarúgást.** A nagyméretű falapok meghajolhatnak saját súlyuk alatt. Támasztékot a falap mindkét oldalára kell tenni, a vágóvonal közelébe és a lap szélétől nem messze.

► Ábra2

► Ábra3

- Ne használjon tompa vagy sérült fűrészlapokat!** A nem elég éles vagy rosszul beállított fűrészlapok keskeny fűrészárattal eredményeznek, amely túlzott súrlódáshoz, a fűrészlap meghajlásához és visszarúgáshoz vezet.
- A fűrészlap mélységének és a ferdevágás szögének beállítására szolgáló reteszelőkarokat meg kell húzni és a vágás megkezdése előtt rögzíteni kell.** Ha a fűrészlap beállítása elmozdul a vágás alatt, akkor a fűrészlap meghajolhat, ami visszarúgást eredményez.
- Különösen figyeljen oda, amikor meglévő falak vagy más beláthatatlan területek vágására használja a szerszámot.** A kiálló fűrészlap olyan tárgyakba vághat bele, amik visszarúgást okozhatnak.
- MINDIG tartsa szilárdan a szerszámot mindkét kezével! SOHA ne nyújtsa a kezét, lábát, vagy bármilyen más testrészét a szerszám alapsíma alá vagy a fűrész mögé, különösen ha harántvágást végez!** Ha visszarúgás történik, a fűrész könnyen visszaugorhat a kezéin át, komoly sérüléseket okozva.

► Ábra4

- Soha ne erőltesse a fűrész! Olyan sebességgel tolja előre a fűrész, hogy a fűrészlap lassulás nélkül vágjon.** A fűrész erőltetése egyetlen vágásokat, a pontosság csökkenését és esetleg visszarúgást okozhat.

Fűrészlapvédő funkció

- Minden használat ellenőrizze, hogy az alsó fűrészlapvédő megfelelően zár-e. Ne működtesse a fűrész, ha az alsó fűrészlapvédő nem mozog akadálymentesen, és nem zár azonnal. Soha ne rögzítse vagy kösse ki az alsó fűrészlapvédőt nyitott állásban. Ha a fűrész véletlenül leesik, akkor az alsó fűrészlapvédő elhajolhat. Emelje fel az alsó fűrészlapvédőt a visszahúzó fogantyúval és ellenőrizze, hogy az szabadon mozog, és nem ér a fűrészlaphoz vagy bármely más alkatrészhez, egyik vágási szögnél vagy vágási mélységnél sem.**
- Ellenőrizze az alsó fűrészlapvédő rugójának működését. Ha védő vagy a rugó nem működik megfelelően, azokat használat előtt meg kell javítani. Az alsó fűrészlapvédő lassan mozoghat sérült alkatrészek, gyantalerakódások vagy hulladék felhalmozódása miatt.**
- Az alsó fűrészlapvédőt csak összetett vágásokhoz, mint pl. a „leszűrő vágás” és a „kombinált vágás”, lehet kézzel felemelni. Emelje fel az alsó fűrészlapvédőt a visszahúzó karral, majd amint a fűrészlap behatolt az anyagba, az alsó fűrészlapvédőt el kell engedni. Minden más típusú vágáshoz az alsó védőlemeznek automatikusan kell működnie.**
- Mindig nézze meg, hogy az alsó fűrészlapvédő befedi a fűrészlapot, mielőtt leteszi a szerszámot az asztalra vagy a padlóra. A védőtelen, szabadon forgó fűrészlap miatt a szerszám elmozdulhat, átvágva az útjába kerülő tárgyakat. Ne feledje, hogy a fűrészlap megállásáig valamennyi idő eltelik a kapcsoló felengedése után.**
- Az alsó fűrészlapvédő ellenőrzéséhez kézzel nyissa ki az alsó fűrészlapvédőt, majd engedje el, és nézze meg, hogy megfelelően záródik-e. Ellenőrizze azt is, hogy a visszahúzó fogantyú nem érintkezik-e az eszköz motorházával. A fűrészlapot szabadon hagyni NAGYON VESZÉLYES és súlyos személyi sérülést okozhat.**

További biztonsági figyelmeztetések

- Különösen figyeljen oda nedves fa, nyomás alatt ragasztott faanyag vagy görcsös fa vágásokor. Haladjon egyenletesen előre a szerszámmal, a fűrészlap sebességének csökkenése nélkül, hogy elkerülje a fűrészlap fogainak túlmelegedését.**
- Ne próbálja meg eltávolítani a levágott anyagot, amikor a fűrészlap még mozog. Várja meg, amíg a fűrészlap megáll, mielőtt megfogja a levágott darabot. A fűrészlap szabadon forog a kikapcsolás után.**
- Kerülje a szegek átvágását. A vágás megkezdése előtt ellenőrizze a fatörzset, és húzza ki belőle az összes szeget.**
- Tegye a fűrész alaplemezeinek szélesebb részét a munkadarab azon részére, amely stabilan alá van támasztva, ne arra a részre, amelyik leesik a vágás végén. Ha a munkadarab rövid vagy kicsi, le kell fogatni. NE PRÓBÁLJA A RÖVID MUNKADARABOKAT KÉZBEN TARTANI!**

► Ábra5

- Mielőtt leteszi a szerszámot a vágás befejezése után, győződjön meg róla, hogy az alsó fűrészlapvédő bezáródott és a fűrészlap teljesen megállt.**
- Soha ne próbáljon a körfűrészrel úgy vágni, hogy azt felfordítva befogja egy satuba! Ez különösen veszélyes és komoly sérülésekhez vezethet.**

► Ábra6

- Egyes anyagok mérgező vegyületet tartalmazhatnak. Gondoskodjon a por belélegzése elleni és érintés elleni védelemtől. Tartsa be az anyag szállítójának biztonsági utasításait.**
- Ne állítsa meg a tárcsát úgy, hogy oldalirányú nyomást fejt ki a fűrészlapra.**
- Ne használjon köszörtlátárcsát.**
- Csak a szerszámon jelzett vagy a kézikönyvben megadott átmérőjű fűrészlapokat használja. A nem megfelelő méretű fűrészlap miatt a fűrészlap vagy a védőburkolat nem fogja megfelelően ellátni a funkcióját, ami súlyos személyi sérüléshez is vezethet.**
- A fűrészlapokat tartsa élesen és tisztán. A fűrészlapokra keményedett kátrány és fagyanta lelassítja a fűrész és megnöveli a visszarugás kockázatát. Tartsa tisztán a fűrészlapot úgy, hogy először leszereli azt a szerszámról, majd megtisztítja gyanta és kátrányeltávolítóval, forró vízzel vagy kerozinnal. Soha ne használjon benzint.**
- Viseljen pormaszkot és hallásvédőt a szerszám használatakor.**
- Mindig ahhoz az anyaghoz illő fűrészlárcsát használjon, amelyet vágni tervez.**
- Csak olyan fűrészlárcsákat használjon, amelyek jelzett fordulatszáma megegyezik a szerszámon jelzett fordulatszámmal, vagy nagyobb annál.**
- (Csak európai országokra vonatkozóan) Mindig az EN847-1 szabványnak megfelelő lárcsát használjon.**

ŐRIZZE MEG EZEKET AZ UTASÍTÁSOKAT.

▲ FIGYELMEZTETÉS: NE HAGYJA, hogy (a termék többszöri használatából eredő) kényelem és megszokás váltsa fel a termék biztonsági előírásainak szigorú betartását. A HELYTELEN HASZNÁLAT és a használati útmutatóban szereplő biztonsági előírások megszegése súlyos személyi sérülésekhez vezethet.

MŰKÖDÉSI LEÍRÁS

⚠ VIGYÁZAT:

- Mindig bizonyosodjon meg a szerszám kikapcsolás és a hálózathoz nem csatlakoztatott állapotáról mielőtt ellenőrzi vagy beállítja azt.

A vágási mélység beállítása

⚠ VIGYÁZAT:

- A vágási mélység beállítása után mindig húzza meg a szabályozókart.

▶ Ábra7: 1. Kar

Lazítsa meg a mélységvezetőn található szabályozókart és mozgassa a talplemezt felfelé vagy lefelé. A kívánt vágási mélység beállítása után rögzítse a talplemezt a szabályozókar meghúzásával.

A tisztább és biztonságosabb vágás érdekében úgy állítsa be a vágási mélységet, hogy a fűrészlapnak legfeljebb egy foga nyúljon túl a munkadarabon. A megfelelően megválasztott vágási mélység elősegíti a veszélyes VISSZARÚGÁSOK veszélyének csökkentését, amelyek személyi sérüléseket okozhatnak.

Ferdevágás

▶ Ábra8: 1. Szorítócsavar

▶ Ábra9: 1. Szorítócsavar

Lazítsa meg a szorítócsavarokat. A kívánt szöget (0° - 45°) állítsa be az ennek megfelelő megdöntéssel, majd szorosan húzza meg a szorítócsavarokat.

Vezetés

▶ Ábra10: 1. Vágási vonal (0°-os helyzet) 2. Vágási vonal (45°-os helyzet)

Egyenes vágásokhoz igazítsa a talplemez elején található 0°-os pozíciót a vágásvonalra. A 45°-os ferdevágáshoz igazítsa a 45°-os pontot a vonalra.

A kapcsoló használata

⚠ VIGYÁZAT:

- A szerszám hálózatra csatlakoztatása előtt mindig ellenőrizze hogy a kapcsoló kioldógombja megfelelően mozog és visszatér a kikapcsolt (OFF) állapotba elengedése után.
- Ne húzza túlzott erővel a kioldókapcsolót úgy, hogy nem nyomta be a kireteszelőgombot. Ez a kapcsoló törését okozhatja.

▶ Ábra11: 1. Kioldókapcsoló 2. Kireteszelőgomb

Egy kireteszelőgomb szolgál annak elkerülésére, hogy a kioldókapcsolót véletlenül meghúzzák. A szerszám bekapcsolásához nyomja le a kireteszelőgombot és húzza meg a kioldókapcsolót. Engedje fel a kioldókapcsolót a leállításához.

⚠ FIGYELMEZTETÉS:

- Az Ön biztonsága érdekében ez a szerszám egy kireteszelőgombbal van felszerelve, ami megakadályozza a szerszám véletlen beindulását. SOHA ne használja ezt a szerszámot, ha az akkor is beindul amikor Ön meghúzza a kioldókacsolót, de nem nyomja le a kireteszelőgombot. A további használat ELŐTT vigye a szerszámot javításra egy MAKITA szervizközpontba.
- SOHA ne ragassza le a kireteszelőgombot vagy iktassa ki annak funkcióját.

ÖSSZESZERELÉS

⚠ VIGYÁZAT:

- Mindig bizonyosodjon meg a szerszám kikapcsolás és a hálózathoz nem csatlakoztatott állapotáról mielőtt ellenőrzi vagy beállítja azt.

A fűrészlap eltávolítása és felhelyezése

⚠ VIGYÁZAT:

- Ellenőrizze, hogy a fűrészlap úgy lett felszerelve, hogy a fogak a szerszám elejénél felfelé mutatnak.
- A fűrészlap felszereléséhez vagy eltávolításához csak a Makita kulcsot használja.

▶ Ábra12: 1. Imbuszkulcs 2. Tengelyretea 3. Lazítsa meg 4. Rögzíteni

A fűrészlap eltávolításához nyomja be a tengelyretea, hogy a fűrészlap ne tudjon elfordulni, és a kulcs segítségével lazítsa meg a hatlapfejű csavart az óramutató járásával ellentétes irányba forgatva azt. Ezután csavarja le a csavart, és vegye le a külső illesztőperemet és a fűrészlapot.

▶ Ábra13: 1. Belső illesztőperem 2. Fűrészlap 3. Külső illesztőperem 4. Hatlapfejű csavar

A fűrészlap cseréjekor ügyeljen rá, hogy megtisztítsa a felső és alsó fűrészlapvédőt a lerakódott fűrészportól. Ezek a műveletek ugyanakkor nem helyettesítik az alsó védő működésének minden használat előtt szükséges ellenőrzését.

A 15,88 mm-es belső furatátmérőtől eltérő belső illesztőperemmel rendelkező körfűrészlap esetén

▶ Ábra14: 1. Tartótengely 2. Belső illesztőperem 3. Fűrészlap 4. Külső illesztőperem 5. Hatlapfejű csavar

A belső illesztőperem bizonyos átmérőjű kiemelkedéssel rendelkezik az egyik oldalán, valamint egy eltérő átmérőjű kiemelkedéssel rendelkezik a másik oldalán. Válassza ki azt az oldalt, melynek kiemelkedése tökéletesen beleillik a körfűrészlap nyílásába.

Ezután szerelje fel a belső illesztőperemet a tartótengelyre úgy, hogy a megfelelő kiemelkedéssel rendelkező oldala kifele nézzen, majd helyezze fel a körfűrészlapot és a külső illesztőperemet.

BIZONYOSODJON MEG ARRÓL, HOGY A RÖGZÍTŐANYA BIZTOSAN MEG VAN HÚZVA.

⚠ VIGYÁZAT:

- Ügyeljen arra, hogy a kifele néző „a” kiemelkedés a belső illesztőperemen tökéletesen illeszkedjen a körfűrészlap „a” nyílásába. Amennyiben a fűrészlapot a rossz oldalával szereli fel, veszélyes rezgés jöhet létre.

15,88 mm-es belső furatátmérővel rendelkező, belső illesztőperemet használó körfűrészlaphoz (az országra jellemző)

- **Ábra15:** 1. Tartótengely 2. Belső illesztőperem
3. Fűrészlap 4. Külső illesztőperem
5. Hatlapfejú csavar

- **Ábra16:** 1. Tartótengely 2. Belső illesztőperem
3. Fűrészlap 4. Külső illesztőperem
5. Hatlapfejú csavar 6. Gyűrű

Helyezze fel a hornyolt oldalával kifelé néző belső illesztőperemet a tartótengelyre, majd helyezze fel a körfűrészlapot (a mellékelt gyűrűvel, ha szükséges), a külső illesztőperemet és a hatlapfejú csavart. A HATLAPFEJŰ CSAVART AZ ÓRAMUTATÓ JÁRÁSAVAL EGYEZŐ IRÁNYBAN SZOROSAN HÚZZA MEG.

⚠ FIGYELMEZTETÉS:

- Mielőtt a fűrészlapot felszereli a tengelyre, ellenőrizze, hogy a megfelelő illesztőgyűrűt helyezte a belső és a külső perem közé. A nem megfelelő illesztőgyűrű használata nem elegendő rögzítést eredményez, amitől a fűrészlap elmozdulhat. Ettől erős vibráció alakulhat ki, ami a szerszámgép feletti uralom elvesztéséhez és súlyos személyi sérüléshez vezethet.

Az imbuszkulcs tárolása

- **Ábra17:** 1. Imbuszkulcs

Amikor nem használja, tárolja az imbuszkulcsot az ábrán látható módon, nehogy elveszzen.

A porszívó csatlakoztatása (opcionális kiegészítő)

- **Ábra18:** 1. Porkifűvő 2. Csavar

- **Ábra19:** 1. Porszívó 2. Cső

Amikor tiszta vágást szeretne végezni, csatlakoztasson egy Makita porszívót a szerszámhoz. Szerelje fel a porkifűvőt a szerszámmra a csavarokkal. Ezt követően csatlakoztassa a porszívó csövét a porkifűvőhöz az ábrának megfelelően.

ÜZEMELTETÉS

⚠ VIGYÁZAT:

- Figyeljen oda, hogy a szerszámot egyenes vonal mentén, folyamatosan tolja előre. A szerszám erőltetése vagy csavarása a motor túlmelegedéséhez vezet, valamint veszélyes visszarúgásokat eredményez, amelyek súlyos sérüléseket okozhatnak.
- Mindig használja az elülső markolatot és a hátsó fogantyút, és szilárdan tartsa a szerszámot az elülső markolatánál és a fő fogantyújánál fogva a munka során.

► Ábra20

Erősen fogja a szerszámot. A szerszám elülső fogantyúval és hátulsó markolattal van ellátva. Használja mindkettőt a szerszám fogásához. Ha mindkét kezével a fűrészlapot fogja, azokat nem vághatja meg a fűrészlap. Helyezze a talplemezt a vágni kívánt munkadarabra úgy, hogy a fűrészlap ne érjen semmihez. Ezután kapcsolja be a szerszámot és várja meg, amíg a fűrészlap teljes fordulatszámon forog. Most egyszerűen mozgassa előre a szerszámot a munkadarab felületen, azt vízszintesen tartva és haladva előre a fűrészlap befejeződéséig.

A hibátlan vágásokhoz haladjon a fűrészszel egyenesen, egyenletes előrehaladási sebességgel. Ha vágás nem követi pontosan a tervezett vágóvonalat, ne próbálja a szerszámot visszaerőltetni vagy visszafordítani a vágóvonalhoz. Ha mégis így tesz, az a fűrészlap beszorulását okozhatja és veszélyes visszarúgásokhoz vezethet, amelyek komoly sérüléseket okozhatnak. Engedje fel a kapcsolót, várja meg, amíg a fűrészlap leáll, majd húzza ki a szerszámot. Igazítsa újra a szerszámot az új vágóvonalra és kezdje újra a vágást. Igyekezzen elkerülni, hogy olyan testhelyzetet vegyen fel, amelyben kiteszi magát a fűrészről kilépő forgácsoknak és fűrészpornak. Használjon védőszemüveget a sérülések megelőzése érdekében.

Párhuzamvezető (vezetővonalzó) (választható tartozék)

- **Ábra21:** 1. Szorítócsavar 2. Párhuzamvezető

A praktikus párhuzamvezető extra pontos egyenes vágások elvégzését teszi lehetővé. Egyszerűen illessze a párhuzamvezetőt a munkadarab oldalához, és rögzítse azt a talplemez elején található szorítócsavarral. Ezzel lehetővé válik egymás után több azonos szélességű vágás elvégzése is.

KARBANTARTÁS

⚠ VIGYÁZAT:

- Mindig bizonyosodjék meg arról hogy a szerzőszám kikapcsolt és a hálózatra nem csatlakoztatott állapotban van mielőtt a vizsgálatához vagy karbantartásához kezdene.
- **Tisztítsa ki a felső és alsó fűrészlappvédőt a felgyűlt fűrészpórtól, amely gátolhatja az alsó védőrendszer megfelelő működését.** A szennyezett védőrendszer korlátozhatja a megfelelő működést, ami súlyos személyi sérüléshez vezethet. A tisztítást leghatékonyabban sűrített levegővel végezheti el. **Ha port fúvat ki a fűrészlappvédőből, viseljen megfelelő szem- és légzésvédő eszközt.**
- Soha ne használjon gázolajt, benzint, hígítót, alkoholt vagy hasonló anyagokat. Ezek elszineződést, alakvesztést vagy repedést okozhatnak.

A párhuzamosság beállítása

► Ábra22: 1. Csavar

A fűrészlapp és a talplemez párhuzamosságának beállítását a gyárban már elvégezték. Amennyiben ez nem megfelelő, a beállítást Ön is elvégezheti a következő módon.

Ügyeljen rá, hogy minden kar és csavar rögzítve legyen. Enyhén lazítsa meg a csavart az ábrán látottak szerint. Mialatt kinyitja az alsó fűrészlappvédőt, állítsa be a talplemez hátsó részét úgy, hogy az A és B távolság egyenlő legyen. A beállítás után húzza meg a csavart. Végezzen tesztvágást a párhuzamos beállítás ellenőrzéséhez.

A 0°-os vágás pontosságának beállítása

► Ábra23: 1. Csavar

► Ábra24: 1. Háromszögvonalzó

Ezt a beállítást a gyárban már elvégezték. Ha azonban ez nem megfelelő, akkor egy imbuszkulcs segítségével állítsa be a beállítócsavarokat, a fűrészlapp és a talplemez közötti 0°-os szöget pedig egy háromszögvonalzóval, derékszögű vonalzóval stb. ellenőrizze.

A szénkefék cseréje

► Ábra25: 1. Határjelzés

A szénkeféket cserélje és ellenőrizze rendszeresen. Cserélje ki azokat amikor lekopnak egészen a határjelzésig. Tartsa tisztán a szénkeféket és biztosítsa hogy szabadon mozoghassanak tartójukban. Mindkét szénkefét egyszerre cserélje ki. Használjon egyforma szénkeféket.

► Ábra26: 1. Csavarhúzó 2. Kefetartó sapka

Csavarhúzó segítségével távolítsa el a kefetartó sapkát. Vegye ki a kopott szénkeféket, tegye be az újakat és helyezze vissza a kefetartó sapkákat.

A termék BIZTONSÁGÁNAK és MEGBÍZHATÓSÁGÁNAK fenntartásához, a javításokat, bármilyen egyéb karbantartást vagy beszabályozást a Makita Autorizált Szervizközpontoknak kell végrehajtaniuk, mindig Makita pótalkatrészek használatával.

OPCIONÁLIS KIEGÉSZÍTŐK

⚠ VIGYÁZAT:

- Ezek a tartozékok vagy kellékek ajánlottak az Önnek ebben a kézikönyvben leírt Makita szerzőszámhoz. Bármely más tartozék vagy kellék használata személyes veszélyt vagy sérülést jelenthet. A tartozékot vagy kelléket használja csupán annak kifejezett rendeltetésére.

Ha bármilyen segítségre vagy további információkra van szüksége ezekkel a tartozékokkal kapcsolatban, keresse fel a helyi Makita Szervizközpontot.

- Fűrészlapp
- Párhuzamvezető (vezetővonalzó)
- Vezetősin
- Vezetősin adapter
- Vezetőrúd
- Porkifúvó
- Imbuszkulcs

MEGJEGYZÉS:

- A listán felsorolt néhány kiegészítő megtalálható az eszköz csomagolásában standard kiegészítőként. Ezek országonként eltérőek lehetnek.

TECHNICKÉ ÚDAJE

Model		HS7601
Priemer ostria		190 mm
Maximálna hĺbka rezu	pri 0°	66 mm
	pri 45°	46 mm
Otáčky naprázdno		5200 min ⁻¹
Celková dĺžka		309 mm
Hmotnosť netto		3,7 kg
Trieda bezpečnosti		▣/II

- Vzhľadom na neustály výskum a vývoj podliehajú technické údaje uvedené v tomto dokumente zmenám bez upozornenia.
- Technické údaje sa môžu pre rôzne krajiny líšiť.
- Hmotnosť podľa postupu EPTA 01/2014

Určené použitie

Náradie je určené na vykonávanie pozdĺžnych a priečnych priamych rezov a zrezávania v uhloch do dreva s pevným kontaktom s obrobkom. Pomocou správnych originálnych pilových čepeľí Makita môžete rezať aj iné materiály.

Napájanie

Náradie by malo byť pripojené jedine k prívodu elektrickej energie s hodnotou napätia rovnakou, ako je uvedená na štítku s názvom zariadenia, pričom náradie môže byť napájané jedine jednofázovým striedavým prúdom. Je vybavené dvojistou izoláciou a preto sa môže používať pri zapojení do zásuviek bez uzemňovacieho vodiča.

Hluk

Typická hladina akustického tlaku pri záťaži A určená podľa EN62841:

- Hladina akustického tlaku (L_{pA}): 92 dB (A)
- Hladina akustického výkonu (L_{WA}): 103 dB (A)
- Odchýlka (K): 3 dB (A)

Používajte chrániče sluchu

Vibrácie

Celková hodnota vibrácií (trojosový vektorový súčet) určená podľa normy EN62841:

- Pracovný režim: rezanie dreva
- Emisie vibrácií ($a_{n,W}$): 2,5 m/s² alebo menej
- Odchýlka (K): 1,5 m/s²

POZNÁMKA: Deklarovaná hodnota emisií vibrácií bola meraná podľa štandardnej skúšobnej metódy a môže sa použiť na porovnanie jedného náradia s druhým.

POZNÁMKA: Deklarovaná hodnota emisií vibrácií sa môže použiť aj na predbežné posúdenie vystavenia ich účinkom.

VAROVANIE: Emisie vibrácií počas skutočného používania elektrického náradia sa môžu odlišovať od deklarovanej hodnoty emisií vibrácií, a to v závislosti na spôsoboch používania náradia.

VAROVANIE: Nezabudnite označiť bezpečnostné opatrenia s cieľom chrániť obsluhu, a to tie, ktoré sa zakladajú na odhade vystavenia účinkom v rámci reálnych podmienok používania (berúc do úvahy všetky súčasti prevádzkového cyklu, ako sú doby, kedy je náradie vypnuté a kedy beží bez zaťaženia, ako dodatok k dobe zapnutia).

Vyhlasenie o zhode ES

Len pre krajiny Európy

Vyhlasenie o zhode ES sa nachádza v prílohe A tohto návodu na obsluhu.

Všeobecné bezpečnostné predpisy pre elektrické nástroje

VAROVANIE: Preštudujte si všetky bezpečnostné varovania, pokyny, vyobrazenia a technické špecifikácie určené pre tento elektrický nástroj. Pri nedodržaní všetkých nižšie uvedených pokynov môže dôjsť k úrazu elektrickým prúdom, požiaru alebo vážnemu zraneniu.

Všetky výstrahy a pokyny si odložte pre prípad potreby v budúcnosti.

Pojem „elektrický nástroj“ sa vo výstrahách vzťahuje na elektricky napájané elektrické nástroje (s káblom) alebo batériu napájané elektrické nástroje (bez kábla).

Bezpečnostné výstrahy pre kotúčovú pílu

Postupy rezania

1. **▲ NEBEZPEČENSTVO:** Ruky držte mimo oblasti rezania a čepele. Druhú ruku držte na pomocnej rúčke alebo kryte motora. Ak držíte pílu oboma rukami, neporežete si ich čepeľou.
 2. **Nesiahajte pod obrobok.** Kryt vás neochráni pred čepeľou pod obrobkom.
 3. **Hĺbku rezania prispôbte hrúbke obrobku.** Čepeľ by nemala presahovať pod obrobok o viac ako celý zub čepele.
 4. **Počas rezania nikdy nedržte obrobok rukami ani krížom cez nohu. Zaisťte obrobok k stabilnému povrchu.** Je dôležité obrobok správne podoprieť, aby sa minimalizovalo vystavenie tela, riziko zovretia ostria alebo strata kontroly.
- **Obr.1**
5. **Ak pri práci hrozí, že by sečné náradie mohlo prísť do kontaktu so skrytým vedením alebo vlastným káblom, držte elektrický nástroj len za izolované povrchy určené na držanie.** Kontakt s vodičom pod napätím môže spôsobiť prenos napätia do nechránených kovových častí elektrického nástroja a ohroziť tak obsluhu zasiahnutím elektrickým prúdom.
 6. **Pri pozdĺžnom rezaní vždy používajte vodičlo na pozdĺžne rezanie alebo vodiaci prvok s rovným okrajom.** Taktó vylepšíte presnosť rezu a znížite možnosť zaseknutia čepele.
 7. **Vždy používajte čepele so správnou veľkosťou a tvarom otvorov na hriadeľ (diamantové alebo okrúhly).** Čepele, ktoré nezodpovedajú spôsobu uchytenia na píle, sa budú pohybovať excentricky a spôsobia stratu kontroly.
 8. **Nikdy nepoužívajte poškodené alebo nesprávne podložky alebo maticové skrutky na čepeľ.** Podložky alebo maticové skrutky na čepeľ boli špeciálne vyrobené pre vašu pílu na dosiahnutie optimálneho výkonu a bezpečnej prevádzky.

Príčiny spätného nárazu a príslušné varovania

- spätný náraz je náhla reakcia na zovretú, zaseknutú alebo vyosenú čepeľ píly, ktorá spôsobí nekontrolované nadvihnutie a odhodenie píly od obrobku smerom k obsluhujúcej osobe;
- keď sa čepeľ zovrie alebo tesne zablokuje zvierajúcim sa zárezom, čepeľ stratí rýchlosť a reakcia motora rýchlo odrazí jednotku dozadu smerom k obsluhujúcej osobe;
- ak sa čepeľ v reze skrúti alebo vyosí, zuby na zadnom okraji čepele sa môžu zarezáť do horného povrchu dreva a spôsobíť zdvihnutie čepele zo zárezu a dozadu smerom k obsluhujúcej osobe.

Spätný náraz je výsledok nesprávneho používania píly a/alebo nesprávnych prevádzkových postupov alebo podmienok a možno sa mu vyhnúť vykonaním príslušných protipatrení uvedených nižšie.

1. **Pílu držte pevne oboma rukami a ramená držte tak, aby ste odolali sile spätného nárazu. Postavte sa k čepeľi zbokou, nestojte v línii čepele.** Spätný náraz by mohol spôsobiť odskočenie píly dozadu, ale spätný náraz môže obsluhujúca osoba zvládnuť, ak vykoná príslušné protipatrenia.

2. **Keď sa čepeľ zovrie alebo keď z nejakého dôvodu prerušíte rezanie, uvoľnite spínač a držte pílu bez pohnutia v materiáli, kým sa čepeľ úplne nezastaví. Nikdy nevyberajte pílu zo zárezu ani ju neťahajte dozadu, kým sa čepeľ píly pohybuje, inak môže dôjsť k spätnému nárazu.** Zistíte a vykonajte nápravné kroky a eliminujte príčinu zvierania čepele.
3. **Pri opätovnom spúšťaní píly v obrobku vycentrujte čepeľ píly v záreze a skontrolujte, či zuby píly nie sú vnorené do materiálu.** Ak je čepeľ píly zovretá, môže sa pri opätovnom spustení píly vysunúť zo zárezu alebo odraziť od obrobku.
4. **Veľké panely podoprite, aby sa minimalizovalo riziko zovretia alebo spätného nárazu čepele.** Veľké panely sa môžu prehýbať pod vlastnou váhou. Podpery treba umiestniť pod panel na oboch stranách do blízkosti línie rezu a do blízkosti okraja panela.

► **Obr.2**

► **Obr.3**

5. **Nepoužívajte tupé alebo poškodené čepele.** Nenaostrené alebo nesprávne pripravené čepele vytvárajú úzky zárez, čo spôsobuje nadmerné trenie, zovretie čepele a spätný náraz.
 6. **Zaisťovacie páčky nastavenia hĺbky a skosenia čepele musia byť pred rezaním utiahnuté a zaistené.** Pohyb nastavenia čepele počas rezania môže viesť k zovretiu a spätnému nárazu.
 7. **Pri rezaní do existujúcich stien alebo iných zakrytých plôch venujte práci maximálnu pozornosť.** Prenikajúca čepeľ môže prerzať predmety s dôsledkom spätného nárazu.
 8. **VŽDY držte nástroj pevne oboma rukami. NIKDY nedávajte ruku, nohu či ľubovoľnú časť tela pod základňu nástroja alebo za pílu, najmä pri vykonávaní priečnych rezov.** Ak dôjde k spätnému nárazu, píla by mohla ľahko odskočiť dozadu na vašu ruku, čo by mohlo spôsobiť vážne poranenie.
- **Obr.4**
9. **Nikdy pílu nepritláčajte nasilu. Pílu tlačte dopredu takou rýchlosťou, aby ostrie rezalo bez spomalenia.** Prítlačaním píly vznikne nerovnomerný rez, zníži sa presnosť a hrozí možný spätný náraz.

Funkcia krytu

1. **Pred každým použitím skontrolujte, či sa spodný kryt správne uzavrel. Pílu nepoužívajte, ak sa spodný kryt nepohybuje voľne a okamžite sa neuzavrie. Nikdy neupínajte ani neupevňujte spodný kryt v otvorenej polohe.** Ak vám píla náhodou spadne, spodný kryt sa môže ohnúť. Nadvihnite spodný kryt pomocou zaťahovacej rúčky a skontrolujte, či sa pohybuje voľne a nedotýka sa ostria ani žiadnej inej časti vo všetkých rezných uhloch a hĺbkach.
2. **Skontrolujte funkčnosť pružiny spodného krytu. Ak kryt a pružina nefungujú správne, pred použitím ich treba opraviť.** Spodný kryt sa môže pohybovať pomaly, keď má poškodené časti, je zalepený nahromadenými zvyškami alebo nánosmi.

3. **Spodný kryt treba zatiahnuť manuálne len pri špeciálnych rezoch, ako sú „zapichovacie rezy“ a „zložené rezy“.** Nadvíhňte spodný kryt pomocou zaťahovacej rúčky a pri preniknutí čepele do materiálu kryt uvoľnite. Pri všetkých ostatných spôsoboch pílenia by sa mal spodný kryt pohybovať automaticky.
4. **Pred tým, ako pílu položíte na stôl alebo dĺžku, skontrolujte, či spodný kryt zakrýva ostrie.** Nechránená čepeľ v pohybe spôsobí spätný pohyb píly, pričom prereže všetko, čo jej bude stáť v ceste. Majte na pamäti, že čepeľ trvá istý čas, kým sa po uvoľnení spínača zastaví.
5. **Ak chcete skontrolovať spodný kryt, otvorte ho rukou, potom ho uvoľnite a sledujte, ako sa uzavrie. Skontrolujte aj to, či sa zaťahovacia rúčka nedotýka puzdra nástroja.** Obnažené ostrie je VEĽMI NEBEZPEČNÉ a môže zapríčiniť vážne zranenie.
11. **Čepeľ udržiavajte ostrú a čistú.** Guma a živica zatvrdnuté na čepeľi spomaľujú pílu a zvyšujú riziko spätného nárazu. Čepeľ udržiavajte čistú – vyberte ju z nástroja a potom ju vyčistite látkou na odstránenie gumy a živice, horúcou vodou alebo petrolejom. Nikdy nepoužívajte benzín.
12. **Pri práci s nástrojom používajte protiprachovú masku a ochranu sluchu.**
13. **Vždy používajte čepeľ píly určenú na rezanie materiálu, ktorý idete rezať.**
14. **Používajte len čepele píly s vyznačenou maximálnou rýchlosťou, ktorá sa rovná alebo je vyššia ako rýchlosť vyznačená na nástroji.**
15. **Len pre krajiny Európy**
Vždy používajte čepeľ, ktorá zodpovedá norme EN847-1.

TIETO POKYNY USCHOVAJTE.

VAROVANIE: NIKDY nepripustíte, aby seba-vedomie a dobrá znalosť výrobku (získané opakovaným používaním) nahradili presné dodržiavanie bezpečnostných pravidiel pri používaní náradia. **NESPRÁVNE POUŽÍVANIE** alebo nedodržiavanie bezpečnostných zásad uvedených v tomto návode môže viesť k vážnemu zraneniu.

Doplňujúce bezpečnostné varovania

1. **Pri rezaní vlhkého dreva, tlakom upraveného stavebného dreva alebo dreva obsahujúceho hrče postupujte mimoriadne opatrne.** Zachovávajúce plynulý posuv nástroja bez znižovania rýchlosti čepele, aby ste predišli prehrievaniu hrotov čepele.
2. **Nepokúšajte sa odstraňovať rezaný materiál, kým sa čepeľ pohybuje. Než uchopíte odrezaný materiál, počkajte, kým sa čepeľ zastaví.** Čepeľ sa po vypnutí zastavuje postupne.
3. **Nerezte kĺnce. Pred rezaním skontrolujte, či na stavebnom dreve nie sú kĺnce, a v prípade potreby ich odstráňte.**
4. **Širšiu časť základne píly položte na tú časť obrobku, ktorá je pevne podopretá, nie na časť, ktorá odpadne po vykonaní rezu. Ak je obrobok krátky alebo malý, upnite ho svorkou.**
KRÁTKE KUSY NIKDY NEDRŽTE V RUKU!

► Obr.5

5. **Pred odtiahnutím nástroja po vykonaní rezu vždy počkajte, kým sa dolný kryt zatvorí a čepeľ sa úplne zastaví.**
6. **Nikdy sa nesnažte piliť s kotúčovou pílou uchytenou vo zveráku spodnou časťou nahor. Takýto postup je extrémne nebezpečný a môže spôsobiť závažné nehody.**

► Obr.6

7. **Niektoré materiály obsahujú chemikálie, ktoré môžu byť jedovaté. Dávajte pozor, aby ste ich nevdychovali ani sa ich nedotýkali. Prečítajte si bezpečnostné informácie dodávateľa materiálu.**
8. **Čepele nezastavujte bočným tlakom na čepeľ píly.**
9. **Nepoužívajte žiadne brúsne kotúče.**
10. **Používajte čepeľ píly len s takým priemerom, aký je vyznačený na nástroji alebo aký je uvedený v návode. Používanie čepele nesprávnej veľkosti môže negatívne ovplyvniť správnu ochranu čepele alebo činnosť krytu, v dôsledku čoho hrozí zranenie osôb.**

POPIS FUNKCIE

⚠ POZOR:

- Pred nastavením nástroja alebo kontrolou jeho funkcie sa vždy presvedčte, že je vypnutý a vytiahnutý zo zásuvky.

Nastavenie hĺbky rezu

⚠ POZOR:

- Po nastavení hĺbky rezu vždy bezpečne dotiahnite páku.

► Obr.7: 1. Páčka

Uvoľnite páku na pravítku hĺbky a posuňte podložku nahor alebo nadol. Pri požadovanej hĺbke rezu zabezpečte podložku dotiahnutím páky. Čistejšie a bezpečnejšie rezy dosiahnete takým nastavením hĺbky rezu, aby pod obrobkom prečnieval len jeden zub. Používanie správnej hĺbky rezu pomáha znížiť prípadné nebezpečné SPÁTNE NÁRAZY, ktoré môžu spôsobiť zranenie osôb.

Skosené rezanie

► Obr.8: 1. Uťahovacia skrutka

► Obr.9: 1. Uťahovacia skrutka

Upínacie skrutky uvoľnite. Správnym naklonením nastavte do požadovaného uhla (0° - 45°) a potom upínacie skrutky dôkladne utiahnite.

Zameriavanie

► Obr.10: 1. Línia rezu (poloha 0°) 2. Línia rezu (poloha 45°)

V prípade priamych rezov zarovnajte polohu 0° na prednej časti základe s líniou rezu. V prípade 45° skosených rezov zarovnajte s líniou rezu polohu 45° .

Zapínanie

⚠ POZOR:

- Pred pripojením nástroja do zásuvky vždy skontrolujte, či spúšť funguje správne a po uvoľnení sa vracia do vypnutej polohy.
- Nevytiahnite silno spúšťač spínača bez zatlačenia odomykacieho tlačidla. Môže to spôsobiť zlomenie spínača.

► Obr.11: 1. Spínač 2. Tlačidlo odomknutia

Abyste nedochádzalo náhodnému potiahnutiu spúšťačieho spínača, nachádza sa tu odomykacie tlačidlo. Ak chcete spustiť nástroj, stlačte odomykacie tlačidlo a potiahnite spúšťač spínača. Zastavíte ho uvoľnením spínača.

⚠ VAROVANIE:

- Z dôvodu vašej bezpečnosti je tento nástroj vybavený odomykacím tlačidlom, ktorý zabráni, aby sa nástroj neúmyselne zapol. NIKDY nepoužite nástroj, keď je v prevádzke, keď jednoducho potiahnete spúšťač spínača bez stlačenia odomykacieho tlačidla. Nástroj vráťte do servisného centra Makita, kde ho dôkladne opraví, PRED ďalším použitím.
- NIKDY neprelepujte alebo nezničte cieľ a funkciu použitia na odomykacom tlačidle.

MONTÁŽ

⚠ POZOR:

- Pred nastavením nástroja alebo kontrolou jeho funkcie sa vždy presvedčte, že je vypnutý a vytiahnutý zo zásuvky.

Vybratie alebo vloženie pilového kotúča

⚠ POZOR:

- Uistite sa, že kotúč je vložený tak, aby zuby smerovali k prednej časti nástroja.
- Na vloženie alebo vybratie kotúča používajte výhradne kľúče spoločnosti Makita.

► Obr.12: 1. Šesťhranný francúzsky kľúč 2. Posúvačový uzáver 3. Uvoľniť 4. Utiahnúť

Pri vyberaní kotúča stlačte posúvačový uzáver tak, aby sa kotúč nemohol otáčať a príslušným kľúčom uvoľnite skrutku so šesťhrannou hlavou proti smeru hodinových ručičiek. Potom vyberte skrutku so šesťhrannou hlavou, vonkajšiu prírubu a kotúč.

► Obr.13: 1. Vnútorňa obruba 2. Čepel' píly 3. Vonkajšia obruba 4. Šesťboká skrutka

Pri výmene kotúča je potrebné tiež vyčistiť horný a dolný pilový kryt od nahradených pilín. Okrem toho je však potrebné pred každým použitím skontrolovať prevádzku dolného krytu.

Pre náradie s vnútornou prírubou na reznú čepel' s priemerom otvoru iným ako 15,88 mm

► Obr.14: 1. Montážny hriadeľ 2. Vnútorňa obruba 3. Čepel' píly 4. Vonkajšia obruba 5. Šesťboká skrutka

Vnútorňa príruha má výčnelok určitého priemeru na svojej jednej strane a výčnelok iného priemeru na druhej strane. Vyberte správnu stranu kde výčnelok dobre zapadne do otvoru na reznej čepeli. V ďalšom namontujte prírubu na montážny hriadeľ, a to tak, aby správna strana s výčnelkom na vnútornej príruhe smerovala von; následne nasadte reznú čepel' a vonkajšiu prírubu. ŠESTHRANNÚ SKRUTKU UTIAHNITE DÔKLADNE V SMERE HODINOVÝCH RUČIČIEK.

▲ POZOR:

- Dávajte pozor, aby výčnelok „a“ sa vnútornej príruby smerujúci von dosadol do otvoru „a“ na reznej čepeli. Namontovanie čepele na nesprávnu stranu môže mať za následok nebezpečné vibrácie.

V prípade náradia s vnútornou prírubou pre reznú čepel' s priemerom otvoru 15,88 mm (špecifické pre danú krajinu)

- **Obr.15:** 1. Montážny hriadeľ 2. Vnútorná obruba
3. Čepel' píly 4. Vonkajšia obruba
5. Šesťboká skrutka
- **Obr.16:** 1. Montážny hriadeľ 2. Vnútorná obruba
3. Čepel' píly 4. Vonkajšia obruba
5. Šesťboká skrutka 6. Prstenec

Vnútornú prírubu s preličenou stranou smerujúcou von namontujte na montážny hriadeľ a potom namontujte reznú čepel' (v prípade potreby namontujte prstenec), vonkajšiu prírubu a skrutku so šesťhrannou hlavou. SKRUTKU SO ŠEST'HRANNOU HLAVOU DŔKLADNE UTIAHNITE V SMERE HODINOVÝCH RUČÍČIEK.

▲ VAROVANIE:

- **Pred namontovaním čepele na hriadeľ sa vždy presvedčte, že medzi vnútornou a vonkajšou prírubou je nainštalovaný správny prstenec pre otvor pre hriadeľ na čepeli, ktorú chcete použiť.** Použitie nesprávneho prstenca pre otvor pre hriadeľ môže mať za následok nesprávne namontovanie čepele s dôsledkom pohybu čepele a silného vibrovania, čo môže vyústiť k strate ovládania počas prevádzky a zároveň môže dôjsť k vážnym osobným poraneniam.

Uskladnenie šesťhranného kľúča

- **Obr.17:** 1. Šesťhranný francúzsky kľúč

Ak šesťhranný kľúč nepoužívate, uskladnite ho podľa obrázkového návodu, aby sa nestratil.

Pripojenie vysávača (voliteľné príslušenstvo)

- **Obr.18:** 1. Otvor na prach 2. Skrutka
- **Obr.19:** 1. Vysávač 2. Hadica

Ak chcete rezať bez prachu, k nástroju pripojte vysávač Makita. Pomocou skrutiek namontujte prachovú hubicu na nástroj. Potom podľa obrázka pripojte k prachovej hubici hadicu vysávača.

PRÁCA

▲ POZOR:

- Nástroj pomaly posúvajte vpred v rovnej línii. Tlačeníím alebo krútením nástroja sa prehrej motor a vzniknú nebezpečné nárazy, ktoré môžu spôsobiť vážne zranenie.
- Vždy používajte prednú rukoväť a zadnú rukoväť a nástroj pri práci držte pevne oboma rukami za prednú i zadnú rukoväť.

► Obr.20

Nástroj držte pevne. Na nástroji je predné držadlo a zadná rukoväť. Nástroj sa drží najlepšie za obidve držadlá. Ak obidvomi rukami držíte pílu, nemôžete si ich porezať. Nastavte predložku na obrobok tak, aby sa pri rezaní nedotýkala kotúča. Potom zapnite nástroj a počkajte, kým kotúč nedosiahne plnú rýchlosť. Teraz nástroj len posúvajte vpred po povrchu obrobku, postupuje plynulo až do skončenia pílenia. Čistý rez dosiahnete, keď bude vaša línia rezu priama a rýchlosť rezania jednotná. Ak rez nedodržiava vašu predpokladanú líniu rezu, nesnažte sa otočiť alebo tlačiť nástroj späť do línie rezu. Kotúč sa môže zadrieť a spôsobiť nebezpečné nárazy a prípadné vážne zranenie. Uvoľnite spínač, počkajte, kým sa kotúč zastaví a potom odtiahnite nástroj. Znovu nasmerujte nástroj na novú líniu rezu a začnite rezať znovu. Snažte sa vyhnúť polohovaniu, ktoré spôsobí, že operátor je vystavený trieskam a pilinám odletujúcim z píly. Používajte ochranu očí, zvýši sa vaša ochrana pred zranením.

Pravítko na pozdĺžne rezanie (vodiace pravítko) (voliteľné príslušenstvo)

- **Obr.21:** 1. Uťahovacia skrutka 2. Ochranné zariadenie na pozdĺžne rezanie

Pravítko na pozdĺžne rezanie umožňuje vykonávať výnimočne presné priame rezy. Jednoducho posúvajte pravítko na pozdĺžne rezanie k strane obrobku a upínacou skrutkou na prednej strane podložky ho zaistíte v správnej polohe. Pomocou neho je možné urobiť opakané rezy s jednotnou šírkou.

ÚDRŽBA

⚠ POZOR:

- Než začnete robiť kontrolu alebo údržbu nástroja, vždy se presvedčte, že je vypnutý a vytiahnutý zo zásuvky.
- **Horný a dolný chránič očistite, aby na nich nezostali piliny, ktoré môžu brániť fungovaniu systému dolného chrániča.** Špinavý systém chrániča môže brániť správne fungovaniu, čoho dôsledkom môže byť vážne osobné poranenie. Najúčinnnejším spôsobom čistenia je čistenie stlačeným vzduchom. **Počas odfukovania pilín z chráničov používajte správnu ochranu zraku a dýchacích orgánov.**
- Nepoužívajte benzín, riedidlo, alkohol ani nič podobné. Mohlo by to spôsobiť zmenu farby, deformácie alebo praskliny.

Nastavenie rovnobežnosti

► Obr.22: 1. Skrutka

Rovnobežnosť čepele a základne bola nastavená počas výroby. Ale ak nastavená nie je, môžete ju nastaviť nasledujúcim postupom.

Utiahnite všetky páčky a skrutky. Mierne uvoľnite skrutku, ako je to znázornené na obrázku. Pri otvorení dolného chrániča posuňte zadnú časť základne tak, aby vzdialenosť A a B boli rovnaké. Po úprave znova utiahnite skrutku. Vykonajte skúšobný rez, aby ste dosiahli rovnobežnosť.

Nastavenie presnosti pre 0° rez

► Obr.23: 1. Skrutka

► Obr.24: 1. Trojuholníkové meradlo

Toto nastavenie bolo zrealizované vo výrobnom závode. Ale ak je vypnuté, pomocou šesťhranného kľúča nastavte nastavovaciu skrutku; pritom pomocou trojuholníkového alebo štvorcového pravítka a pod kontrolujte 0° uhol medzi čepeľou a základňou.

Výmena uhlíkov

► Obr.25: 1. Medzná značka

Uhlíky pravidelne vyberajte a kontrolujte. Ak sú opotrebované až po medznú značku, vymeňte ich. Uhlíky musia byť čisté a musia voľne zapadať do svojich držiakov. Oba uhlíky treba vymieňať súčasne. Používajte výhradne rovnaké uhlíky.

► Obr.26: 1. Skrutkovač 2. Veko držiaka uhlíka

Pomocou šraubováka odskrutkujte veká uhlíkov. Vymňte opotrebované uhlíky, vložte nové a zaskrutkujte veká naspäť.

Kvôli zachovaniu BEZPEČNOSTI a SPOLAHLIVOSTI výrobkov musia byť opravy a akákoľvek ďalšia údržba či nastavovanie robené autorizovanými servisnými strediskami firmy Makita a s použitím náhradných dielov Makita.

VOLITEĽNÉ PRÍSLUŠENSTVO

⚠ POZOR:

- Pre váš nástroj Makita, opísaný v tomto návode, doporučujeme používať toto príslušenstvo a nástavce. Pri použití iného príslušenstva či nástavcov môže hroziť nebezpečenstvo zranenia osôb. Príslušenstvo a nástavce sa môžu používať len na účely pre ne stanovené.

Ak potrebujete bližšie informácie týkajúce sa tohoto príslušenstva, obráťte sa na vaše miestne servisné stredisko firmy Makita.

- Pilové kotúče
- Pravítko na pozdĺžne rezanie (vodiaca linka)
- Vodiaca lišta
- Adaptér vodiacej lišty
- Lišta meradla
- Prachová hubica
- Šesťhranný francúzsky kľúč

POZNÁMKA:

- Niektoré položky zo zoznamu môžu byť súčasťou balenia náradia vo forme štandardného príslušenstva. Rozsah týchto položiek môže byť v každej krajine odlišný.

TECHNICKÉ ÚDAJE

Model		HS7601
Průměr listu		190 mm
Max. hloubka řezu	pod úhlem 0°	66 mm
	pod úhlem 45°	46 mm
Otáčky bez zatížení		5 200 min ⁻¹
Celková délka		309 mm
Hmotnost netto		3,7 kg
Třída bezpečnosti		□/II

- Vzhledem k neustálému výzkumu a vývoji podléhají zde uvedené specifikace změnám bez upozornění.
- Specifikace se mohou pro různé země lišit.
- Hmotnost podle EPTA-Procedure 01/2014

Účel použití

Nářadí je určeno k provádění podélných a příčných příčných řezů nebo úhlových pokosových řezů do dřeva při pevném kontaktu s obrobkem. S vhodnými originálními pilovými kotouči Makita lze řezat i jiné materiály.

Napájení

Zařízení je třeba připojit pouze k napájení se stejným napětím, jaké je uvedeno na výrobním štítku a může být provozováno pouze v jednofázovém napájecím okruhu se střídavým napětím. Nářadí je vybaveno dvojitou izolací a může být tedy připojeno i k zásuvkám bez zemnicího vodiče.

Hlučnost

Typická vážená hladina hluku (A) určená podle normy EN62841:

- Hladina akustického tlaku (L_{pA}): 92 dB (A)
- Hladina akustického výkonu (L_{WA}): 103 dB (A)
- Nejistota (K): 3 dB (A)

Používejte ochranu sluchu

Vibrace

Celková hodnota vibrací (vektorový součet tří os) určená podle normy EN62841:

- Pracovní režim: řezání dřeva
- Emise vibrací ($a_{h,w}$): 2,5 m/s² nebo méně
- Nejistota (K): 1,5 m/s²

POZNÁMKA: Deklarovaná hodnota emisí vibrací byla změněna v souladu se standardní testovací metodou a může být využita ke srovnávání nářadí mezi sebou.

POZNÁMKA: Deklarovanou hodnotu emisí vibrací lze rovněž využít k předběžnému posouzení vystavení jejich vlivu.

VAROVÁNÍ: Emise vibrací během skutečného používání elektrického nářadí se mohou od deklarované hodnoty emisí vibrací lišit v závislosti na způsobu použití nářadí.

VAROVÁNÍ: Na základě odhadu vystavení účinkům vibrací v aktuálních podmínkách zajistěte bezpečnostní opatření k ochraně obsluhy (vezměte v úvahu všechny části pracovního cyklu, mezi něž patří kromě doby pracovního nasazení i doba, kdy je nářadí vypnuto nebo pracuje ve volnoběhu).

Prohlášení ES o shodě

Pouze pro evropské země

Prohlášení ES o shodě je obsaženo v Příloze A tohoto návodu k obsluze.

Obecná bezpečnostní upozornění k elektrickému nářadí

VAROVÁNÍ: Přečtěte si všechny bezpečnostní výstrahy i pokyny a prohlédněte si ilustrace a specifikace dodané k tomuto elektrickému nářadí. Nedodržení všech níže uvedených pokynů může vést k úrazu elektrickým proudem, požáru či vážnému zranění.

Všechna upozornění a pokyny si uschovejte pro budoucí potřebu.

Pojem „elektrické nářadí“ v upozorněních označuje elektrické nářadí, které se zapojuje do elektrické sítě, nebo elektrické nářadí využívající akumulátory.

Výstrahy týkající se okružní pily

Postupy při řezání

1. **NEBEZPEČÍ:** Nepřibližujte ruce k oblasti řezání ani ke kotouči. Druhou ruku držte na pomocné rukojeti nebo krytu motoru. Budete-li pilu držet oběma rukama, nehrozí riziko jejich pořezání.
2. **Ne vkládejte ruce pod obrobek.** Kryt vás nechrání před kotoučem pod obrobkem.
3. **Nastavte hloubku řezu na tloušťku obrobku.** Pod obrobkem by měl být viditelný méně než jeden celý zub pilového kotouče.
4. **Při řezání nikdy nedržte obrobek v ruce ani si jej nepokládejte na nohy. Uchyťte obrobek ke stabilní podložce.** Je důležité zajistit řádné upevnění dílu, aby se minimalizovalo riziko ohrožení těla, zachycení kotouče nebo ztráty kontroly.

► Obr.1

5. Při práci v místech, kde může dojít ke kontaktu nářadí se skrytým elektrickým vedením nebo s vlastním napájecím kabelem, držte elektrické nářadí za izolované části držadel. Kontakt s vodičem pod napětím přenesení proud do nechráněných kovových částí elektrického nářadí a obsluha může utrpět úraz elektrickým proudem.
6. Při podélném řezání vždy používejte podélné pravítko nebo přímé vodičko. Zvýšíte tak přesnost řezu a omezíte možnost ohnutí kotouče.
7. Vždy používejte kotouče správné velikosti a tvaru (diamantové versus kruhové) otvoru. Kotouče neodpovídající upínacímu systému pily se budou pohybovat mimo osu a způsobí ztrátu kontroly nad nářadím.
8. Nikdy nepoužívejte poškozené nebo nesprávné podložky nebo šroub kotouče. Podložky a šroub kotouče jsou navrženy speciálně pro tuto pilu a zajišťují optimální funkci a provozní bezpečnost.

Zpětný ráz a související výstrahy

- Zpětný ráz je náhlá reakce na skřípnutí, zaseknutí nebo nesprávně seřízený pilový kotouč, která způsobuje nekontrolované zvednutí pily z obrobku a jeho vržení směrem k obsluze.
- Pokud se kotouč sevře nebo na pevně zasekne o uzavření spáry, dojde k zastavení kotouče a reakce motoru vrhne jednotku s velkou rychlostí směrem k obsluze.
- Pokud se kotouč v řezu zkroutí nebo vychýlí, mohou se zuby na zadním okraji kotouče zařezat do horního povrchu dřeva, čímž dojde ke zvednutí kotouče ze spáry a rázu nářadí směrem k obsluze.

Zpětný ráz je důsledkem špatného použití pily nebo nesprávných pracovních postupů či podmínek. Lze se mu vyhnout zavedením odpovídajících opatření, která jsou uvedena níže.

1. **Pilu držte pevně oběma rukama. Paže umístěte tak, abyste byli schopni odolat silám vznikajícím při zpětném rázu. Tělo udržujte bokem od nářadí. Nestůjte přímo za kotoučem.** Zpětný ráz by mohl způsobit vrhnutí pily zpět. Pokud pracovník dodržuje odpovídající opatření, je schopen kontrolovat síly vznikající při zpětném rázu.
2. **Pokud kotouč vážně nebo z jakéhokoliv důvodu chcete přerušit řezání, uvolněte spoušť a držte pilu bez pohybu v materiálu, dokud se kotouč úplně nezastaví. Nikdy pilu nevytahujte z materiálu ani ji netahejte směrem zpět, je-li kotouč v pohybu. V opačném případě může dojít ke zpětnému rázu.** Zjistíte příčinu vážnutí kotouče a provedte odpovídající nápravná opatření.
3. **Spouštěte-li pilu opakovaně v obrobku, umístěte pilový kotouč do středu drážky tak, aby zuby kotouče nebyly zachyceny v materiálu.** Pokud pilový kotouč uvízne, může se při opakovaném spuštění pily zvednout nebo vymrštit z obrobku.
4. **Velké desky podepřete, abyste minimalizovali riziko skřípnutí kotouče a zpětného rázu.** Velké desky mají tendenci prověšovat se svojí vlastní váhou. Podpěry je nutno umístit pod panel na obou stranách v blízkosti rysky řezu a okraje desky.

► Obr.2

► Obr.3

5. **Nepoužívejte tupé nebo poškozené kotouče.** Nenaostřené nebo nesprávně nastavené kotouče řezou úzkou drážku, čímž dochází k nadměrnému tření, vážnutí kotouče a zpětnému rázu.
6. **Před zahájením řezání musí být dotaženy a zajištěny pojistné páčky nastavení hloubky a úkosu.** Dojde-li během řezání ke změně nastavení kotouče, kotouč může vážnout a může vzniknout zpětný ráz.
7. **Při řezání do stávajících stěn či jiných nepřehledných míst dbejte zvýšené opatrnosti.** Vyčnívající kotouč se může zařízdnout do předmětů, jež mohou způsobit zpětný ráz.
8. **Nářadí VŽDY držte pevně oběma rukama. NIKDY neumítejte ruce, nohy nebo jakoukoli jinou část těla pod základnu nářadí nebo za pilu, zejména při příčném řezání.** Dojde-li ke zpětnému rázu, může pila snadno odskočit směrem zpět přes vaše ruce a způsobit vám tak vážné poranění.

► Obr.4

9. **Nikdy na pilu nevyvíjejte příliš velkou sílu. Pilu tlačte vpřed tak, aby kotouč řezal bez zpomalování.** Příliš silný tlak může způsobit nerovné řezy, ztrátu přesnosti a vznik zpětného rázu.

Funkce krytu

1. **Před každým použitím zkontrolujte řádné uzavření dolního krytu. S pilou nepracujte, pokud se dolní kryt nepohybuje volně a okamžitě se neuzavře. Nikdy neupínejte ani neuchycujte dolní kryt v otevřené poloze.** Pokud pilu náhodně upustíte, může se dolní kryt ohnout. Zvedněte dolní kryt zatahovacím držadlem a ujistěte se, zda se kryt volně pohybuje a zda se ve všech úhlech a hloubkách řezu nedotýká kotouče ani žádné jiné části nástroje.
2. **Zkontrolujte funkci pružiny dolního krytu. Pokud kryt a pružina nepracují správně, musí být před zahájením provozu opraveny.** Dolní kryt se může pohybovat pomalu z důvodu poškození dílů, lepkavých usazenin nebo nahromadění odpadního materiálu.
3. **Dolní kryt zatahujte ručně pouze při provádění speciálních řezů, jimiž jsou například „zapichovací“ či „kombinované řezy“.** Zatahovacím držadlem zvednete dolní kryt, a jakmile kotouč vnikne do materiálu, je nutné dolní kryt uvolnit. Při všech jiných typech řezů má dolní kryt pracovat automaticky.
4. **Před položením pily na pracovní stůl nebo podlahu se vždy přesvědčte, zda dolní kryt zakrývá kotouč.** Nechráněný dobíhající kotouč způsobí pohyb nářadí směrem zpět, při kterém může dojít k pořežení. Nezapomeňte, že zastavení kotouče po uvolnění spínače trvá určitou dobu.
5. **Při kontrole dolního krytu jej otevřete rukou, uvolněte a sledujte jeho zavírání. Dále zkontrolujte, zda se zatahovací držadlo nedotýká skříně nástroje.** Ponechání kotouče v nechráněné poloze JE VELICE NEBEZPEČNÉ a může způsobit vážné zranění.

Další bezpečnostní výstrahy

1. Při řezání vlhkého dřeva, tlakově impregnovaného dřeva nebo dřeva obsahujícího suky postupujte se zvýšenou opatrností. Nářadí vedte do řezu plynule, aby se pohyb kotouče nezpomaloval a nedocházelo k přehřívání břitů.
2. Neodstraňujte odřezaný materiál, pokud se pohybuje kotouč. Před uchopením odřezaného materiálu počkejte, až se kotouč zastaví. Kotouče po vypnutí nářadí dobíhají.
3. Neřežte hřebíky. Před zahájením řezání zkontrolujte a odstraňte ze dřeva všechny případné hřebíky.
4. Širší stranu základny pily položte na tu část obrobku, která je pevně podepřena a nikoli na část, která po provedení řezu odpadne. Pokud je obrobek krátký nebo malý, upněte jej. NIKDY NEDRŽTE KRÁTKÉ DÍLY RUKOU!

► Obr.5

5. Před odložením nářadí po dokončení řezu se přesvědčte, zda se kryt zavřel a zda se kotouč úplně zastavil.
6. Nikdy se nepokoušejte řezat okružní pilou uchycenou vzhůru nohama ve svěráku. Tento postup je mimořádně nebezpečný a může způsobit vážné nehody.

► Obr.6

7. Některé materiály obsahují chemikálie, které mohou být jedovaté. Dávejte pozor, abyste nevdechovali prach nebo nedocházelo ke kontaktu s kůží. Dodržujte bezpečnostní pokyny dodavatele materiálů.
8. Nezastavujte pilové kotouče vyvinutím postranního tlaku.
9. Nepoužívejte žádné brusné kotouče.
10. Používejte pouze pilové kotouče s průměrem vyznačeným na nářadí nebo specifikovaným v příručce. Použití kotouče nesprávných rozměrů může ovlivnit správné zakrytí kotouče nebo funkci krytu, což může mít za následek vážné zranění.
11. Udržujte kotouč ostrý a čistý. Smůla a pryskyřice zatvrdnutá na kotouči pilu zpomaluje a zvyšuje potenciální nebezpečí zpětného rázu. Při čištění kotouč nejprve vyjměte z nářadí a pak jej vyčistěte prostředkem k odstraňování smůly a pryskyřice, horkou vodou nebo petrolejem. Nikdy nepoužívejte benzín.
12. Při používání nářadí používejte protiprachovou masku a ochranu sluchu.
13. Vždy používejte takový pilový kotouč, který je určený pro řezání materiálu, který se chystáte řezat.
14. Používejte pouze pilové kotouče označené hodnotou otáček, jejichž hodnota se rovná či přesahuje hodnotu otáček vyznačenou na nářadí.
15. (Pouze pro evropské země)
Vždy používejte kotouče, které odpovídají normě EN847-1.

TYTO POKYNY USCHOVEJTE.

VAROVÁNÍ: NEDOVOLTE, aby pohodlnost nebo pocit znalosti výrobku (získaný na základě předchozího použití) vedl k zanedbání dodržování bezpečnostních pravidel platných pro tento výrobek. NESPRÁVNÉ POUŽÍVÁNÍ či nedodržení bezpečnostních pravidel uvedených v tomto návodu k obsluze může způsobit vážné zranění.

POPIS FUNKCE

▲ UPOZORNĚNÍ:

- Před nastavováním nástroje nebo kontrolou jeho funkce se vždy přesvědčte, že je vypnutý a vytažený ze zásuvky.

Nastavení hloubky řezu

▲ UPOZORNĚNÍ:

- Po nastavení hloubky řezu vždy pevně dotáhněte páčku.

► Obr.7: 1. Páčka

Uvolněte páčku na vodičku pro nastavení hloubky a přesuňte základnu nahoru nebo dolů. Na požadované hloubce řezu základnu zajistíte utažením páčky. Chcete-li dosáhnout čistších a bezpečnějších řezů, nastavte hloubku řezu tak, aby pod řezaný díl nevyčníval více než jeden zub listu. Použití správných hloubek řezu pomáhá omezovat nebezpečí ZPĚTNÝCH RÁZŮ, které mohou způsobit zranění.

Šikmé řezání

► Obr.8: 1. Upínací šroub

► Obr.9: 1. Upínací šroub

Povolte upínací šrouby. Odpovídajícím nakloněním nastavte požadovaný úhel (0° - 45°) a pevně dotáhněte upínací šrouby.

Zaměřování

► Obr.10: 1. Linie řezu (poloze 0°) 2. Linie řezu (poloze 45°)

Při přímých řezech vyrovnejte polohu 0° na přední straně základny s rýskou vyznačující řez. Při provádění úkosových 45° řezů vyrovnejte řez s 45° polohou.

Zapínání

▲ UPOZORNĚNÍ:

- Před připojením nástroje do zásuvky vždy zkontrolujte, zda spoušť funguje správně a po uvolnění se vrací do vypnuté polohy.
- Nepokoušejte se spoušť aktivovat silou bez stisknutí odjišťovacího tlačítka. Mohlo by dojít ke zlomení spínače.

► Obr.11: 1. Spínač 2. Odjišťovací tlačítko

Jako prevence náhodného stisknutí spouště je k dispozici odjišťovací tlačítko.

Chcete-li nástroj uvést do chodu, stiskněte odjišťovací tlačítko a poté spoušť. Chcete-li nástroj vypnout, uvolněte spoušť.

▲ VAROVÁNÍ:

- K zajištění bezpečnosti je nástroj vybaven odjišťovacím tlačítkem, které zabraňuje nechtěnému spuštění nástroje. NIKDY nepoužívejte nástroj, pokud jej lze uvést do chodu pouhým stisknutím spouště bez použití odjišťovacího tlačítka. V takovém případě nástroj PŘED dalším použitím předejte servisnímu středisku společnosti Makita k opravě.
- Odjišťovací tlačítko NIKDY neuchycujte lepicí páskou v aktivní poloze ani jinak nepotlačujte její funkci.

MONTÁŽ

⚠ UPOZORNĚNÍ:

- Před nastavováním nástroje nebo kontrolou jeho funkce se vždy přesvědčte, že je vypnutý a vytažen ze zásuvky.

Demontáž a instalace pilového kotouče

⚠ UPOZORNĚNÍ:

- Dbejte, aby byl list nainstalován tak, aby na přední straně nástroje směřovaly zuby nahoru.
- Při instalaci a demontáži listu používejte pouze klíč Makita.

- **Obr.12:** 1. Imbusový klíč 2. Zámek hřídele 3. Povolit 4. Utáhnout

Při demontáži listu stiskněte zámek hřídele tak, aby se list neotáčel, a poté pomocí klíče povolte šroub s šestihlannou hlavou proti směru hodinových ručiček. Následně demontujte šroub s šestihlannou hlavou, vnější přírubu a kotouč.

- **Obr.13:** 1. Vnitřní příruba 2. Pilový list 3. Vnější příruba 4. Šroub s šestihlannou hlavou

Při výměně kotouče rovněž nezapomeňte očistit horní a dolní kryt kotouče od usazených pilin. Provedení těchto kroků však neznamená, že lze před každým použitím zanedbat kontrolu funkce dolního krytu.

Pro nářadí s vnitřní přírubou pro jiné pilové kotouče než s otvorem o průměru 15,88 mm

- **Obr.14:** 1. Hřídel 2. Vnitřní příruba 3. Pilový list 4. Vnější příruba 5. Šroub s šestihlannou hlavou

Vnitřní příruba má na jedné straně osazení určitého průměru a na druhé straně osazení jiného průměru. Zvolte správnou stranu, jejíž osazení dokonale zapadne do otvoru pilového kotouče.

Potom vnitřní přírubu nasadte na hřídel tak, aby správná strana osazení vnitřní příruby směřovala ven a nasadte pilový kotouč s vnější přírubou.

NEZAPOMĚŇTE PEVNĚ DOTÁHNOUT (VPRAVO) IMBUSOVÝ ŠROUB.

⚠ UPOZORNĚNÍ:

- Zajistěte, aby osazení „a“ vnitřní příruby umístěné směrem ven dokonale zapadlo do otvoru „a“ pilového kotouče. Nasazení kotouče na chybnou stranu může způsobit nebezpečné vibrace.

Pro nářadí s vnitřní přírubou pro pilové kotouče s průměrem otvoru 15,88 mm (specifické pro danou zemi)

- **Obr.15:** 1. Hřídel 2. Vnitřní příruba 3. Pilový list 4. Vnější příruba 5. Šroub s šestihlannou hlavou

- **Obr.16:** 1. Hřídel 2. Vnitřní příruba 3. Pilový list 4. Vnější příruba 5. Šroub s šestihlannou hlavou 6. Prstenec

Na hřídel nasadte vnitřní přírubu zapuštěnou částí směrem ven a pak nasadte pilový kotouč (pokud je třeba, s nasazeným kroužkem), vnější přírubu a imbusový šroub. **NEZAPOMĚŇTE PEVNĚ SMĚREM VPRAVO DOTÁHNOUT IMBUSOVÝ ŠROUB.**

⚠ VAROVÁNÍ:

- Před nasazením kotouče na vřeteno se vždy ujistěte, zda je na vřetenu mezi vnitřní a vnější přírubou umístěn správný kroužek odpovídající otvoru v kotouči, který se chystáte použít. Použití kroužku s nesprávným otvorem může vést k nesprávnému uchycení kotouče, jeho pohybu a silným vibracím s následnou možností ztráty kontroly za provozu, jež může způsobit vážné zranění.

Uložení imbusového klíče

- **Obr.17:** 1. Imbusový klíč

Není-li používán, uložte imbusový klíč jak je ilustrováno na obrázku. Předjedete tak jeho ztrátě.

Připojení vysavače (volitelné příslušenství)

- **Obr.18:** 1. Prachová hubice 2. Šroub

- **Obr.19:** 1. Odsavač prachu 2. Hadice

K zajištění čistoty během řezání připojte k nástroji odsavač prachu Makita. Pomocí šroubů k nástroji připevněte prachovou hubici. Poté k prachové hubici připojte hadici odsavače prachu, jak je ilustrováno na obrázku.

PRÁCE

⚠ UPOZORNĚNÍ:

- Nástroj zlehka posunujte dopředu po přímé ryzce. Pokud na nástroj budete tlačit nebo jej zkroužit, dojde k přehřátí motoru a nebezpečnému zpětnému rázu s rizikem těžkého zranění.
- Vždy používejte přední držadlo i zadní rukojeť a při práci tímto způsobem nářadí pevně držte.

- **Obr.20**

Uchopte pevně nástroj. Nástroj je vybaven přední rukojetí a zadním držadlem. Použijte obojí k pevnému uchopení nástroje. Budete-li plit držet oběma rukama, nemůžete si ruce pořezat kotoučem. Ustavte základnu na řezaný díl bez toho, aby došlo ke kontaktu s kotoučem. Poté nástroj zapněte a počkejte, dokud kotouč nedosáhne plných otáček. Nyní jednoduše posunujte nástroj dopředu po povrchu dílu. Udržujte jej rovne a pomalu posunujte až do ukončení řezu. Chcete-li dosáhnout čistých řezů, udržujte přímou dráhu řezu a rovnoměrnou rychlost posunu. Pokud řez nesleduje přesně dráhu zamýšleného řezu, nepokoušejte se o otočení nebo násilně přesunutí nástroje zpět na ryzku řezu. V opačném případě by mohlo dojít k ohnutí kotouče, nebezpečnému zpětnému rázu a potenciálnímu vážnému poranění. Uvolněte spínač, počkejte na zastavení kotouče a poté nástroj vytáhněte. Ustavte nástroj na novou dráhu řezu a zahajte řez znovu. Pokud se vyvarovat takového umístění nástroje, při kterém je obsluha vystavena tiskům a pilinám vylétajícím z pily. Předjedete poranění použitím ochrany očí.

Podélné pravítko (vodící pravítko) (volitelné příslušenství)

► **Obr.21:** 1. Upínací šroub 2. Podélné pravítko

Praktické podélné pravítko vám umožní provádět mimořádně přesné přímé řezy. Podélné pravítko jednoduše přesuňte až těsně ke straně obrobku a upínacím šroubem na přední části základny jej zajistíte v požadované poloze. Pravítko rovněž umožňuje opakované řezy stejné šířky.

ÚDRŽBA

⚠ UPOZORNĚNÍ:

- Než začnete provádět kontrolu nebo údržbu nástroje, vždy se přesvědčte, že je vypnutý a vytažený ze zásuvky.
- **Očistěte horní a dolní kryt, aby nedocházelo ke hromadění pilin, jež by mohly bránit funkci dolního krytového systému.** Znečištěný krytový systém může omezovat správnou funkčnost, což může mít za následek vážné zranění. Nejúčinnějším způsobem čištění je použití stlačeného vzduchu. **Při odstraňování pilin z krytů stlačeným vzduchem použijte správné prostředky k ochraně zraku a dýchacích cest.**
- Nikdy nepoužívejte benzín, benzen, ředidlo, alkohol či podobné prostředky. Mohlo by tak dojít ke změnám barvy, deformacím či vzniku prasklin.

Seřízení rovnoběžnosti

► **Obr.22:** 1. Šroub

Rovnoběžnost kotouče a základny byla nastavena při výrobě. Jestliže je však nesprávná, můžete ji seřídít následujícím postupem. Ujistěte se, zda jsou dotaženy všechny páčky a šrouby. Podle obrázku pomalu povolte šroub. Při otevírání dolního krytu přesuňte zadní stranu základny tak, aby byly vzdálenosti A a B stejné. Po seřízení dotáhněte šroub. Proveďte zkušební řez a zkontrolujte správnost rovnoběžnosti.

Nastavení přesnosti 0° řezu

► **Obr.23:** 1. Šroub

► **Obr.24:** 1. Trojúhelníkové pravítko

Toto nastavení bylo provedeno při výrobě. Pokud však není správné, otáčejte imbusovým klíčem stavěcími šrouby a přitom trojúhelníkovým pravítkem či příložným úhelníkem atp. kontrolujte 0° úhel kotouče vzhledem k základně.

Výměna uhlíků

► **Obr.25:** 1. Mezní značka

Uhlíky pravidelně vyjmějte a kontrolujte. Jsou-li opotřebené až po mezní značku, vyměňte je. Uhlíky musí být čisté a musí volně zapadat do svých držáků. Oba uhlíky je třeba vyměňovat současně. Používejte výhradně stejné uhlíky.

► **Obr.26:** 1. Šroubovák 2. Víčko držáku uhlíku

Pomocí šroubováku odšroubujte víčka uhlíků. Vyjměte opotřebené uhlíky, vložte nové a zašroubujte víčka nazpět.

Kvůli zachování BEZPEČNOSTI a SPOLEHLIVOSTI výrobku musí být opravy a veškerá další údržba či seřizování prováděny autorizovanými servisními středisky firmy Makita a s použitím náhradních dílů Makita.

VOLITELNÉ PŘÍSLUŠENSTVÍ

⚠ UPOZORNĚNÍ:

- Pro váš nástroj Makita, popsany v tomto návodu, doporučujeme používat toto příslušenství a nástavce. Při použití jiného příslušenství či nástavců může hrozit nebezpečí zranění osob. Příslušenství a nástavce lze používat pouze pro jejich stanovené účely.

Potřebujete-li bližší informace ohledně tohoto příslušenství, obraťte se na vaše místní servisní středisko firmy Makita.

- Pilové kotouče
- Podélné pravítko (Vodící pravítko)
- Vodící kolejnice
- Adaptér vodící kolejnice
- Pravítko
- Prachová hubice
- Imbusový klíč

POZNÁMKA:

- Některé položky seznamu mohou být k zařazení přibaleny jako standardní příslušenství. Přibalené příslušenství se může v různých zemích lišit.

Makita Europe N.V. Jan-Baptist Vinkstraat 2,
3070 Kortenberg, Belgium

Makita Corporation 3-11-8, Sumiyoshi-cho,
Anjo, Aichi 446-8502 Japan

www.makita.com

885382B972 EN, UK, PL, RO, DE, HU, SK, CS 20170531
