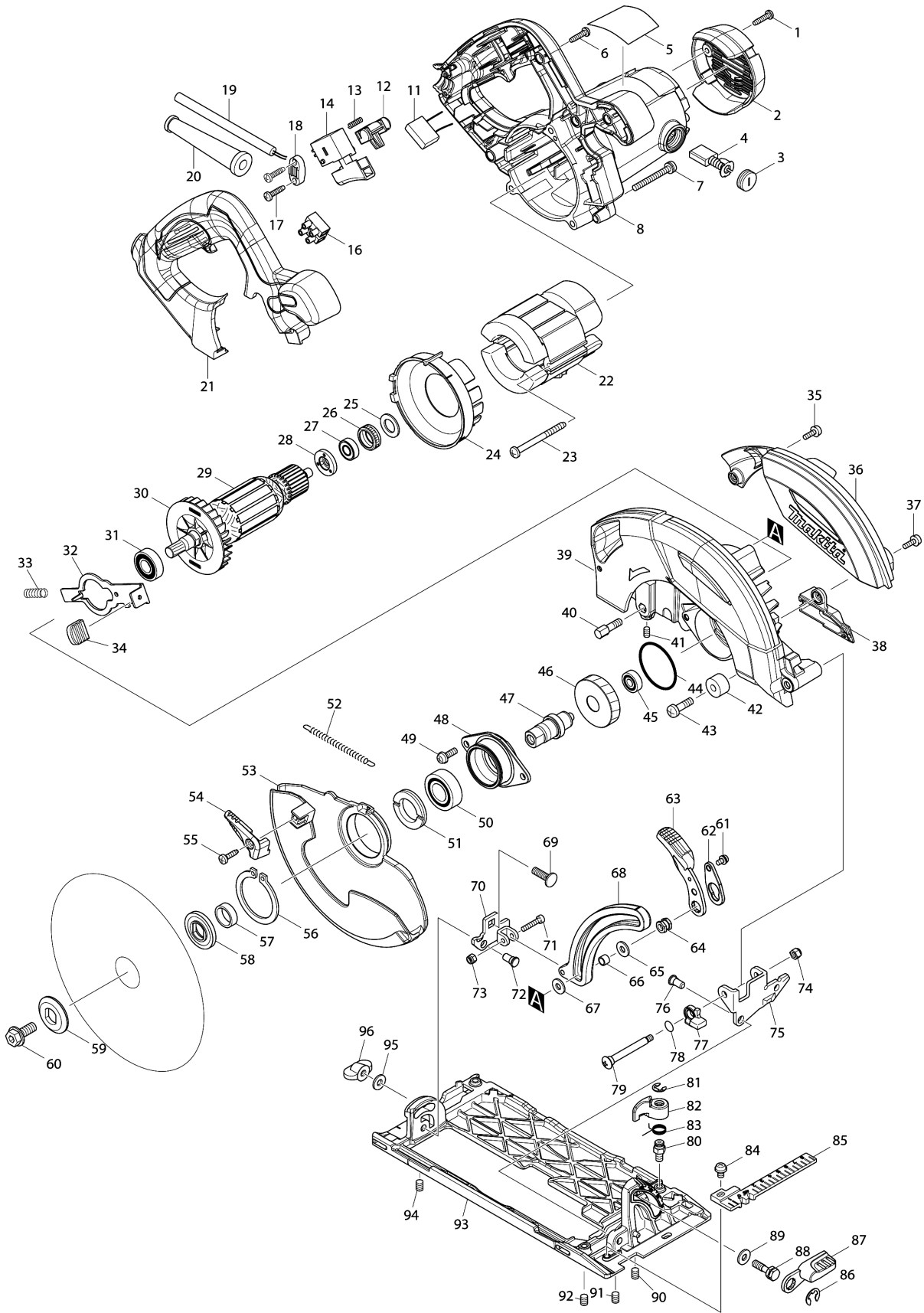


Model No.HS7100 190MM CIRCULAR SAW



Model No.HS7100 190MM CIRCULAR SAW

Položka	Objednávacie číslo	Popis	Zmena	ks	New/Old	Možnosť 1	Možnosť 2	Poznámka
001	265995-6	TAPPING SCREW 4X18		2				
002	453288-5	REAR COVER		1				
003	643650-4	BRUSH HOLDER CAP 6.5-13.5		2	*			
003-1	643650-4	BRUSH HOLDER CAP 6.5-13.5	O	2				
004	196018-8	CARBON BRUSH SET CB-174		1	*			
004-1	196018-8	CARBON BRUSH SET CB-174	<	1				
005	896681-4	HS7100 NAME PLATE		1				
006	265995-6	TAPPING SCREW 4X18		5				
007	911268-2	PAN HEAD SCREW M5X45		3				
008	141313-1	MOTOR HOUSING COMPLETE		1				
C10	643653-8	BRUSH HOLDER 6.5-13.5		2	*			
C11	643536-2	BRUSH HOLDER 6.5X13.5	<	2				
011	645200-1	NOISE SUPPRESSOR		1				
012	453284-3	LOCK OFF BUTTON		1				
013	231469-9	COMPRESSION SPRING 4		1				
014	650245-6	SWITCH SGE115CDY-10		1				
016	654532-5	TERMINAL BLOCK 1P		1				
017	265995-6	TAPPING SCREW 4X18		2				
018	687052-4	STRAIN RELIEF		1				
019	665890-4	POWER SUPPLY CORD 1.0-2-4.0		1				
020	682540-6	CORD GUARD 9.3-90		1				
021	453282-7	HANDLE COVER		1				
022	525854-9	FIELD ASS'Y 220-240		1				
C10	654020-2	RING TERMINAL		2				
C20	654502-4	CONNECTOR P-2		2				
023	266044-2	TAPPING SCREW 5X60		2				
024	453283-5	BAFFLE PLATE		1				
025	261103-7	RUBBER WASHER 13		1				
026	421479-6	RUBBER RING 19		1				
027	210016-9	BALL BEARING 698ZZ		1				
028	681654-8	INSULATION WASHER		1				
029	513833-9	ARMATURE ASS'Y 220V		1				
D10		INC. 27,28,30,31						
030	240133-1	FAN 70		1				
031	211131-2	BALL BEARING 6001DDW		1				
032	346547-3	SHAFT LOCK		1				
033	233429-7	COMPRESSION SPRING 7		1				
034	286275-7	CAP		1				
035	911118-1	PAN HEAD SCREW M4X12		1				
036	453287-7	BLADE COVER		1				
037	911118-1	PAN HEAD SCREW M4X12		1				
038	453285-1	DUCT		1				
039	141311-5	BLADE CASE COMPLETE		1				
040	265594-4	HEX.BOLT M6X18		1				

Please order the parts with part number.

Print Date 24/11/2021

Model No.HS7100 190MM CIRCULAR SAW

Položka	Objednávacie číslo	Popis	Zmena	ks	New/Old	Možnosť 1	Možnosť 2	Poznámka
041	266229-0	H.S.SET SCREW(CUP POINT)M5X8		1				
042	262552-1	RUBBER SLEEVE 6		1				
043	251247-1	+ PAN HEAD SCREW M6X20		1				
044	213560-5	O RING 44		1				
045	211022-7	BALL BEARING 607ZZ		1				
046	227754-6	HELICAL GEAR 43		1				
047	326127-1	SPINDLE		1				
048	318820-1	BEARING BOX		1				
049	911223-4	PAN HEAD SCREW M5X16		2				
050	211275-8	BALL BEARING 6003DDW		1				
051	285848-3	BEARING RETAINER 23-36		1				
052	231877-4	TENSION SPRING 4		1				
053	318821-9	SAFETY COVER		1				
054	272271-1	LEVER 37		1				
055	266034-5	TAPPING SCREW CT 4X16		1				
056	961201-4	RETAINING RING S-42		1				
057	257279-6	RING 17		1				
058	224412-5	INNER FLANGE 35		1	*			
058-1	224473-5	INNER FLANGE 35	O	1	*			
058-2	224593-5	INNER FLANGE 35	<	1				
059	224409-4	OUTER FLANGE 35		1				
060	266283-4	HEX. SOCKET HEX. BOLT M8X20		1				
061	911108-4	PAN HEAD SCREW M4X8		1				
062	453362-9	LOCK PLATE		1				
063	272273-7	LEVER 70		1				
064	264071-3	HEX. NUT M6		1				
065	267100-1	FLAT WASHER 6		1				
066	257669-3	SLEEVE 6		1				
067	267100-1	FLAT WASHER 6		1				
068	141312-3	DEPTH GUIDE COMPLETE		1				
069	251919-8	CAP SQUARE NECK BOLT M6X20		1				
070	165670-3	REAR ANGULAR GUIDE		1				
071	922137-2	HEX. SOCKET HEAD BOLT M4X20		1				
072	256480-0	SHOULDER PIN 6-7		1				
073	252126-6	HEX. LOCK NUT M4-7		1				
074	252103-8	HEX. LOCK NUT M5-8		1				
075	345590-9	ANGULAR GUIDE		1				
076	256480-0	SHOULDER PIN 6-7		1				
077	318823-5	STOPPER		1				
078	213062-1	O RING 9		1				
079	266734-7	+ TRUSS HEAD SCREW M5		1				
080	265571-6	HEX. BOLT M6X10		2				
081	961012-7	STOP RING E-6		2				

Please order the parts with part number.

Print Date 24/11/2021

Model No.HS7100 190MM CIRCULAR SAW

Položka	Objednávacie číslo	Popis	Zmena	ks	New/Old	Možnosť 1	Možnosť 2	Poznámka
082	453165-1	LOCK LEVER		2				
083	233596-8	TORSION SPRING 11		2				
084	911203-0	PAN HEAD SCREW M5X8		1				
085	453286-9	TOP GUIDE		1				
086	257982-9	BOW STOP RING E-8		1				
087	272272-9	LEVER 45		1				
088	266735-5	HEX.BOLT M6X20		1				
089	267100-1	FLAT WASHER 6		1				
090	266208-8	H.S.SET SCREW(CUP POINT)M6X8		1				
091	266208-8	H.S.SET SCREW(CUP POINT)M6X8		1				
092	266208-8	H.S.SET SCREW(CUP POINT)M6X8		1				
093	318819-6	BASE		1				
094	266208-8	H.S.SET SCREW(CUP POINT)M6X8		1				
095	267100-1	FLAT WASHER 6		1				
096	252631-3	THUMB NUT M6		1				
A01	164095-8	GUIDE RULE		1				
A02	453289-3	DUST NOZZLE		1				
A03	911128-8	P.H.SCREW M4X16 WITH WR		1				
A04	B-02939	T.C.T. SAW BLADE 190MM		1				
A05	783204-6	HEX. WRENCH 6		1				

Please order the parts with part number.

Print Date 24/11/2021