



Makita Werkzeug Ges.m.b.H.

Airportstr. 4, 2401 Fischamend

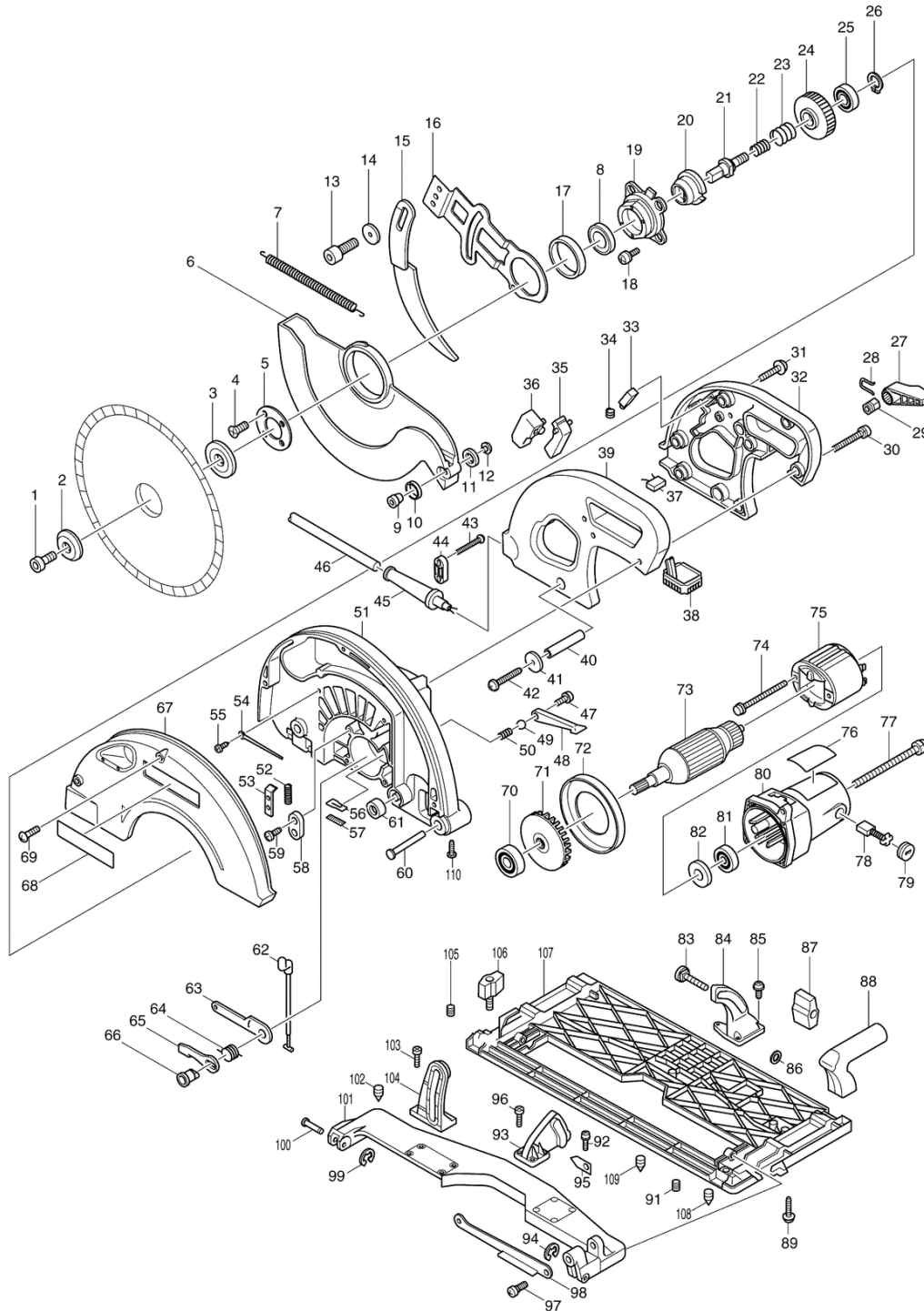
Tel: 02232 / 777 00

Fax: 02232 / 777 00 - 40

Mail: verkauf@makita.at

Web: www.makita.at

Makita Service Information / Model: 5143R





Makita Werkzeug Ges.m.b.H.

Airportstr. 4, 2401 Fischamend

Tel: 02232 / 777 00

Fax: 02232 / 777 00 - 40

Mail: verkauf@makita.at

Web: www.makita.at

Makita Service Information / Model: 5143R

POS	Bestell-Nr.	Artikelbeschreibung	Stk.	Stk.Preis
1	266083-2	SKRUTKA INBUS. M10X25	1	N/A
2	224327-6	OUTER FLANGE 65	1	N/A
3	224328-4	INNER FLANGE 65	1	N/A
4	912222-9	SKRUTKA SO ZAP. HLAVOU M5x16	4	N/A
5	285683-9	BEARING RETAINER 42-68	1	N/A
6	316751-8	SAFETY COVER	1	N/A
6.2	318063-5	SAFETY COVER	1	N/A
7	231803-3	TENSION SPRING 5	1	N/A
7.2	231842-3	TENSION SPRING 8	1	N/A
8	211329-1	LOŽISKO GULIČKOVÉ 6204DDW	1	N/A
9	415437-2	OKRUHLÝ KOLIK 6	1	N/A
10	415438-0	KLADKA 20	1	N/A
11	415438-0	KLADKA 20	1	N/A
12	415437-2	OKRUHLÝ KOLIK 6	1	N/A
13	922422-3	IMBUSOVA SKRUTKA 8X16 922422-3	1	N/A
14	267147-5	FLAT WASHER 8	1	N/A
14.2	267284-5	FLAT WASHER 8	1	N/A
15	165151-7	RIVING KNIFE	1	N/A
15.2	345751-1	RIVING KNIFE	1	N/A
16	344297-4	RIVING KNIFE HOLDER	1	N/A
16.2	345753-7	RIVING KNIFE HOLDER	1	N/A
17	344304-3	THICKNESS RING	1	N/A
18	911223-4	SKRUTKA M5x16	4	N/A
19	316753-4	BEARING BOX	1	N/A
20	322830-2	KRYT LOŽISKA 5103R	1	N/A
21	322828-9	SPINDLE	1	N/A
22	231969-9	PRUŽINA 20 5103R	1	N/A
23	231968-1	PRUŽINA 27 5103R	1	N/A
24	226453-7	HELICAL GEAR 57	1	N/A
25	211104-5	LOŽISKO GULIČKOVÉ 6001	1	N/A
26	961052-5	POISTNÝ KRÚŽOK S-12	1	N/A
27	272230-5	PÁČKA VYPÍNAČA 54 272230-5	1	N/A
28	231955-0	PODLOŽKA PRUŽNÁ 12	1	N/A
29	252134-7	MATICA M8 5903R/5103R	1	N/A
30	911263-2	SKRUTKA M5x40	3	N/A
31	266041-8	SKRUTKA SAMOREZNÁ 5X25 HR2010	4	N/A
32	182773-8	SCHALTERGEHÄUSE 5103R/5104S	1	N/A
32		*** INC. 39		N/A
33	415440-3	LOCK-OFF BUTTON	1	N/A
34	231230-4	PRUŽINA PRÍTLAČNÁ 4	1	N/A



Makita Werkzeug Ges.m.b.H.

Airportstr. 4, 2401 Fischamend

Tel: 02232 / 777 00

Fax: 02232 / 777 00 - 40

Mail: verkauf@makita.at

Web: www.makita.at

Makita Service Information / Model: 5143R

POS	Bestell-Nr.	Artikelbeschreibung	Stk.	Stk.Preis
35	415439-8	SWITCH LEVER	1	N/A
36	651923-1	VYPINAC TG70B 5903R/5103R/LS	1	N/A
37	645105-5	ODRUSOVACI KONDENZATOR	1	N/A
37	645200-1	ODRUSOVACI KONDENZATOR	1	N/A
38	631209-9	REGULAČNA ´ELEKTRONIKA	1	N/A
39	182773-8	SCHALTERGEHÄUSE 5103R/5104S	1	N/A
39		*** INC. 32		N/A
40	331469-0	PIPE 9	1	N/A
41	941201-0	PODLOŽKA 8 941201-0	1	N/A
42	266019-1	SKRUTKA M8x98 266019-1	1	N/A
43	265995-6	SKRUTKA SAMOREZNÁ 4x18	2	N/A
44	687063-9	ODLAHCENIE TAHU SNURY	1	N/A
44.2	687052-4	DRŽIAK KÁBLA	1	N/A
45	682503-2	CHRANIC SNURY 8-90	1	N/A
45.2	682540-6	CHRANIC SNURY 9,3-90	1	N/A
46	666226-0	POWER SUPPLY CORD 1.5-2-5.0	1	N/A
46.2	665883-1	POWER SUPPLY CORD 1.0-2-5.0	1	N/A
47	911213-7	SKRUTKA M5x12	1	N/A
48	415908-9	LEVER 110	1	N/A
48.2	416250-1	LEVER 110	1	N/A
49	216004-4	GULKA OCEĽOVÁ 7,9	1	N/A
50	231240-1	PRUŽINA 7	1	N/A
51	152497-0	BLADE CASE COMPLETE	1	N/A
51.2	152546-3	BLADE CASE COMPLETE	1	N/A
51.3	152549-7	BLADE CASE COMPLETE	1	N/A
51.4	158091-6	BLADE CASE COMPLETE new	1	N/A
52	233140-1	COMPRESSION SPRING 5	1	N/A
53	344294-0	SHAFT LOCK	1	N/A
54	322829-7	GUIDE ROD	1	N/A
55	266026-4	SKRUTKA 4x12	1	N/A
56	443098-8	FELT	1	N/A
57	344263-1	PLATE	1	N/A
58	687053-2	DRŽIAK KÁBLA neu	1	N/A
59	266034-5	SKRUTKA SAMOREZNÁ CT 4x16	2	N/A
60	268008-2	PIN 10	1	N/A
60.2	268018-9	PIN 10	1	N/A
61	262007-6	KRÚŽOK GUMENÝ 8 SR2600	1	N/A
61.2	421966-5	CUSHION	1	N/A
62	353017-5	WIRE ROPE	1	N/A
63	344295-8	ARM	1	N/A



Makita Werkzeug Ges.m.b.H.

Airportstr. 4, 2401 Fischamend

Tel: 02232 / 777 00

Fax: 02232 / 777 00 - 40

Mail: verkauf@makita.at

Web: www.makita.at

Makita Service Information / Model: 5143R

POS	Bestell-Nr.	Artikelbeschreibung	Stk.	Stk.Preis
64	231625-1	TORSION SPRING 23	1	N/A
65	344296-6	CAM PLATE	1	N/A
66	268009-0	PIN 12	1	N/A
67	415817-2	BLADE CASE COVER	1	N/A
68	819091-8	MAKITA LABEL	1	N/A
69	266036-1	TAPPING SCREW BIND CT 5x20	5	N/A
70	211227-9	KUGELLAGER 6002DDW 211227-9	1	N/A
70.2	211236-8	LOŽISKO GULIČKOVÉ 6002DDW novE	1	N/A
71	241889-9	KOLESO VENTILÁTORA 74 5103R	1	N/A
72	415768-9	BAFFLE PLATE	1	N/A
73	516668-7	KOTVA UPLNA 220V 5143R	1	N/A
73		*** INC. 81,82		N/A
74	911947-2	PAN HEAD SCREW M5X90	2	N/A
75	636118-7	FIELD 220/240V	1	N/A
75.2	636173-9	STATOR 220 V 5143R	1	N/A
75.3	596323-7	STATOR 220/240V 5143R	1	N/A
76	857936-2	NAME PLATE 5143R	1	N/A
77	911288-6	PAN HEAD SCREW M5x65	4	N/A
78	191953-5	UHLÍKY CB-203	1	N/A
79	643700-5	VIECKO DRZIACA UHLIKOV 7x18	2	N/A
80	159843-8	MOTOR HOUSING 200-240V	1	N/A
80.2	158628-9	MOTOR HOUSING 200-240V	1	N/A
81	211056-0	LOŽISKO GULIČKOVÉ 629LLB	1	N/A
81.2	210042-8	LOŽISKO GULIČKOVÉ 629LLB	1	N/A
82	681633-6	IZOLACNA PODLOŽKA	1	N/A
83	923471-3	CAP SQUARE NECK BOLT M8X	1	N/A
84	316747-9	ANGULAR PLATE GUIDE	1	N/A
85	266036-1	TAPPING SCREW BIND CT 5x20	3	N/A
86	941201-0	PODLOŽKA 8 941201-0	1	N/A
87	252626-6	WING NUT	1	N/A
88	415815-6	GRIP	1	N/A
89	266041-8	SKRUTKA SAMOREZNÁ 5X25 HR2010	2	N/A
90	268013-9	PIN 8	1	N/A
91	265993-0	HX SKT SETSCREW CUP PT M4X5	1	N/A
92	266026-4	SKRUTKA 4x12	1	N/A
93	316746-1	ANGULAR PLATE	1	N/A
93.2	316879-2	ANGULAR PLATE	1	N/A
94	961012-7	BLOKOVACI KRIZOK E-6	1	N/A
95	343902-0	POINTER	1	N/A
96	266036-1	TAPPING SCREW BIND CT 5x20	2	N/A



Makita Werkzeug Ges.m.b.H.

Airportstr. 4, 2401 Fischamend

Tel: 02232 / 777 00

Fax: 02232 / 777 00 - 40

Mail: verkauf@makita.at

Web: www.makita.at

Makita Service Information / Model: 5143R

POS	Bestell-Nr.	Artikelbeschreibung	Stk.	Stk.Preis
96.2	266036-1	TAPPING SCREW BIND CT 5x20	4	N/A
97	265011-4	SKRUTKA M5 JR3020	1	N/A
98	344298-2	LINK	1	N/A
98.2	345722-8	LINK	1	N/A
99	961012-7	BLOKOVACI KRUZOK E-6	1	N/A
100	268013-9	PIN 8	1	N/A
101	316750-0	BASE BRIDGE	1	N/A
101.2	316880-7	BASE BRIDGE	1	N/A
102	266085-8	HEX. SOCKET SET SCREW M6x10	1	N/A
103	266036-1	TAPPING SCREW BIND CT 5x20	3	N/A
104	316748-7	DEPTH GUIDE	1	N/A
105	265993-0	HX SKT SETSCREW CUP PT M4X5	1	N/A
106	251858-2	SKRUTKA M6x15	4	N/A
107	316752-6	DOSKA ZÁKLADNÁ 5143R	1	N/A
108	266085-8	HEX. SOCKET SET SCREW M6x10	1	N/A
109	266085-8	HEX. SOCKET SET SCREW M6x10	1	N/A
110	266026-4	SKRUTKA 4x12	1	N/A
113	442125-8	PACKING 5143R from 15329E	1	N/A
1001	A-80014	T.C.T. SAW BLADE 355X20TX30	1	N/A
1002	152498-8	GUIDE RULE	1	N/A
1003	783204-6	HEX. WRENCH 6	1	N/A
5001	651941-9	VYPINAC V-15-2A5	1	N/A
5003	654510-5	KRÚŽOK SPOJOVACÍ 5.5-SD MT240/	1	N/A
5004	654079-9	INSULATED RECEPTACLE DF1.25	1	N/A
5005	654509-0	CONNECTOR 2-SD	2	N/A
5006	654082-0	INSULATED RECEPTACLE DF2	1	N/A
5008	192490-2	JOINT	1	N/A