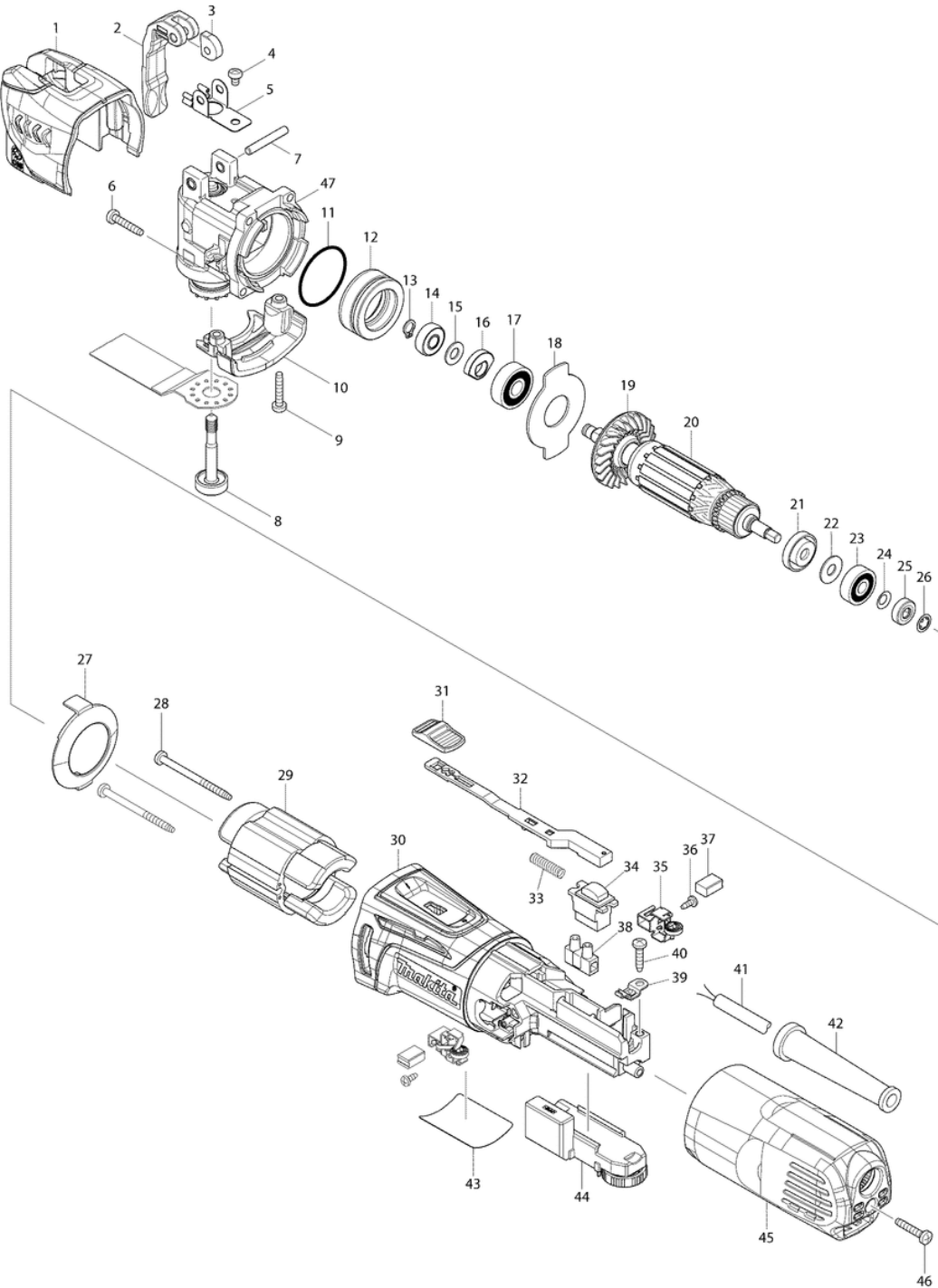




Makita Service Information / Model: TM3010C





Makita Werkzeug Ges.m.b.H.

Airportstr. 4, 2401 Fischamend

Tel: 02232 / 777 00

Fax: 02232 / 777 00 - 40

Mail: verkauf@makita.at

Web: www.makita.at

Makita Service Information / Model: TM3010C

POS	Bestell-Nr.	Artikelbeschreibung	Stk.	Stk.Preis
1	454634-5	GETRIEBEGEHUSEABDECKG TM3010C	1	N/A
1.2	455272-6	GETRIEBEGEHUSEABDECKG TM3010C	1	N/A
2	319059-9	SCHALTERHEBEL TM3010C	1	N/A
3	313268-2	DREHPUNKT SCHALTERHEBEL TM3010	1	N/A
4	911102-6	SCHRAUBE M4x6 TM3010C	1	N/A
5	232282-8	BLATTFEDER TM3010C	1	N/A
6	266424-2	TAPPING SCREW 4x20	4	N/A
7	268306-4	PIN 5 TM3010C	1	N/A
8	326346-9	WERKZEUGSCHRAUBE TM3010C	1	N/A
9	266424-2	TAPPING SCREW 4x20	2	N/A
10	454635-3	UNTERE GEHUSEABDECKUNG TM3010	1	N/A
11	213343-3	O-KRÜŽOK FS2700	1	N/A
12	326347-7	LAGERGEHUSE TM3010C	1	N/A
13	961003-8	POISTNY KRUZOK S-7	1	N/A
14	211392-4	BALL BEARING	1	N/A
15	253133-2	PODLOŽKA 7 253133-2	1	N/A
16	313245-4	BALANCER	1	N/A
17	211092-6	LOŽISKO GULIČKOVÉ 629DDW	1	N/A
18	285857-2	Guide Plate	1	N/A
19	240140-4	Fan 46	1	N/A
20	517683-4	Armature Ass'y 230V	1	N/A
20		*** INC. 19,21-26		N/A
21	681636-0	IZOLACNA PODLOZKA	1	N/A
22	267426-1	FLAT WASHER 7	1	N/A
23	210023-2	LOŽISKO GULIČKOVÉ 627DDW	1	N/A
24	267756-0	PODLOŽKA PRUŽNA BO6040/4340-41F	1	N/A
25	688174-3	KRÜŽOK MAGNETICKÝ RT0700C	1	N/A
26	259039-2	SAMOARETÁCIA 6 4340CT-41FCT	1	N/A
27	453828-9	Baffle Plate	1	N/A
28	266415-3	SKRUTKA SAMOREZNÁ 4x55MM	2	N/A
29	623558-8	Field	1	N/A
30	453823-9	Motor Housing	1	N/A
31	453761-5	SWITCH KNOB new	1	N/A
32	453825-5	Switch Lever	1	N/A
33	234263-8	COMPRESSION SPRING 5	1	N/A
34	651609-7	Switch	1	N/A
35	643839-4	DRŽIAK UHLÍKOV NA GA5030/4530	2	N/A
36	266492-5	TAPPING SCREW 3x8	2	N/A
37	194722-3	UHLÍKY CB-459	1	N/A
38	654532-5	SVORKOVNICA 1P	1	N/A



Makita Werkzeug Ges.m.b.H.

Airportstr. 4, 2401 Fischamend

Tel: 02232 / 777 00

Fax: 02232 / 777 00 - 40

Mail: verkauf@makita.at

Web: www.makita.at

Makita Service Information / Model: TM3010C

POS	Bestell-Nr.	Artikelbeschreibung	Stk.	Stk.Preis
39	687681-3	DRŽIAK KÁBLA NA GA4530/5030	1	N/A
40	266326-2	SKRUTKA SAMOREZNÁ	1	N/A
41	665399-6	POWER SUPPLY CORD	1	N/A
42	682569-2	CHRÁNIČ ŠNÚRY MT601/811/952/953	1	N/A
43	814T82-4	TYPENSCHILD TM3010C	1	N/A
44	620234-5	REGLER TM3010C	1	N/A
45	453824-7	Rear Cover	1	N/A
46	266424-2	TAPPING SCREW 4x20	1	N/A
47	142208-1	GETRIEBEGEHÄUSE KPL. TM3010C	1	N/A
47.2	143249-0	CRANK HOUSING COMPLETE	1	N/A
1001	142257-8	TOOL BOX COMPLETE	1	N/A
1001.2	143308-0	TOOL BOX COMPLETE WITH LABEL	1	N/A
1002	454247-2	PIN 4	4	N/A
1003	821550-0	CONNECTOR PLASTIC CASE (TYPE2)	1	N/A
1003.2	821550-0	CONNECTOR PLASTIC CASE (TYPE2)	1	N/A
1004	837773-0	INNER TRAY	1	N/A
1005	802B52-7	TM3010CX5J INDICATION LABEL	1	N/A
1006	802B53-5	TM3010CX5J PLASTIC CASE LABEL	2	N/A
1007	196550-2	STAUBANSCHLUSS ADAPTER TM3010C	1	N/A
1008	196272-4	ADAPTER A SET	1	N/A
1009	B-21325	SEGMENT SAW BLADE 85 TMA006	1	N/A
1010	B-21353	PLUNGE CUT SAW BLADE 28 TMA009	1	N/A
1011	B-21406	PLUNGE CUT SAW BLADE 10 TMA014	1	N/A
1012	B-21537	SANDING PAD	1	N/A
1013	B-21624	ABRASIVEPAPER DELTA RED 60	1	N/A
1014	B-21668	ABRASIVEPAPER DELTA RED 240	1	N/A
1015	B-21630	ABRASIVEPAPER DELTA RED 80	1	N/A
1016	B-22947	ABRASIVEPAPER DELTA RED 100	1	N/A
1017	B-22953	ABRASIVEPAPER DELTA RED 150	1	N/A
1018	821591-6	TOOL BOX	2	N/A