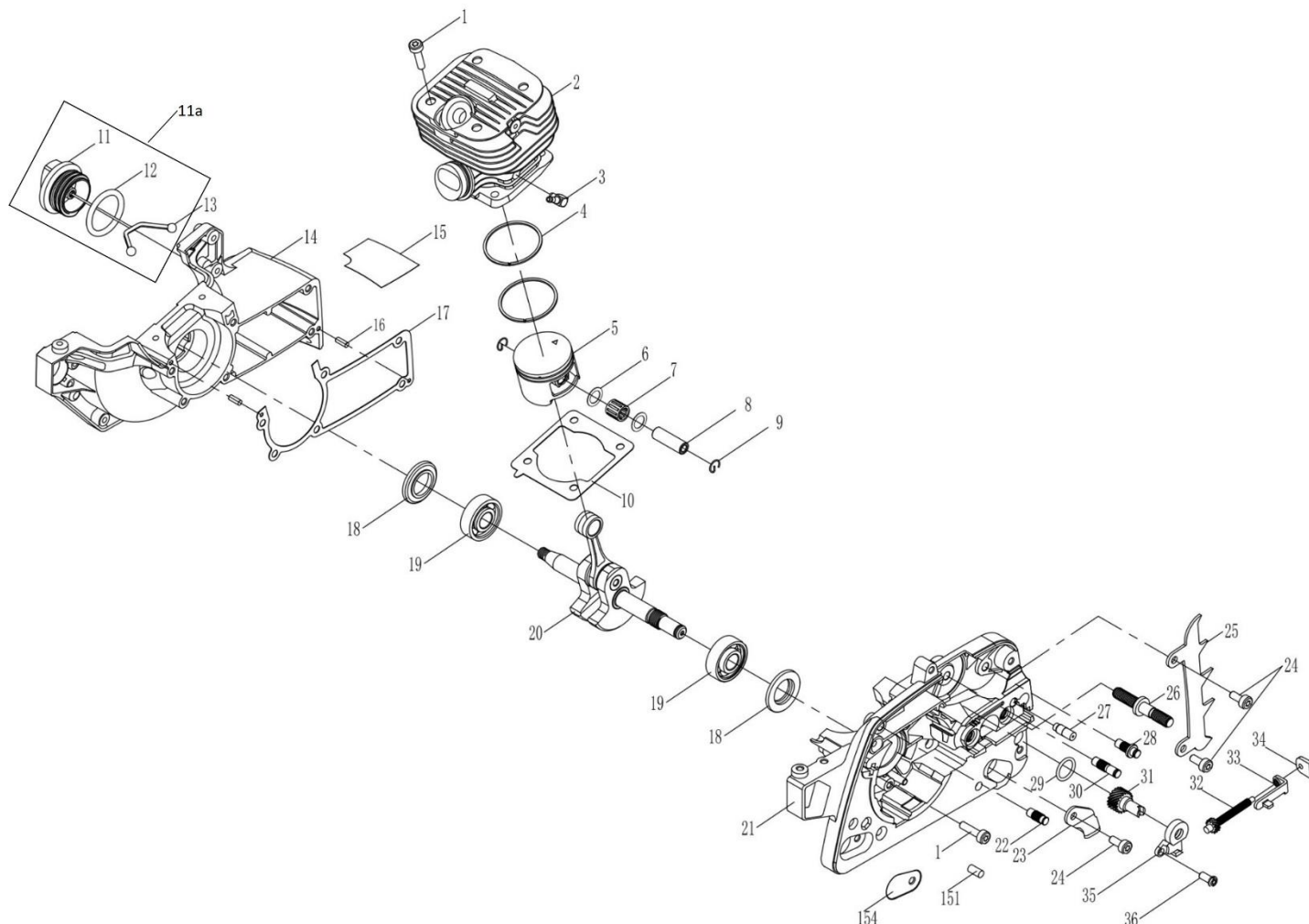


## Documentatie tehnica motoferastrau Ruris RM 420

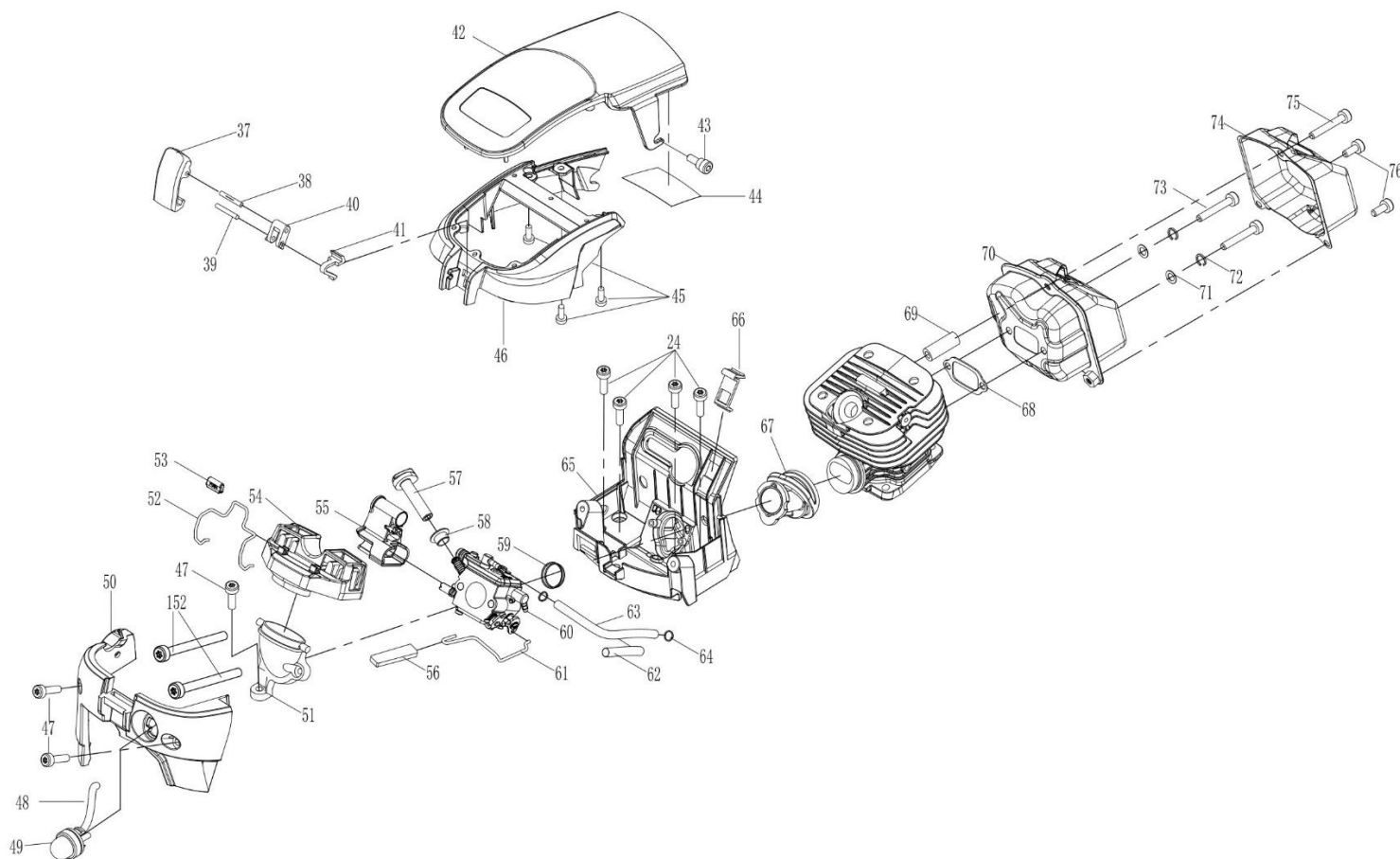


Nr.crt	Denumire produs	Product name	Cod comanda
1	surub	screw M5×20	psrm420-1-1
2	cilindru	cylinder	psrm420-1-2
3	decompresor	pressure nozzle	psrm420-1-3
4	segmenti	piston ring	psrm420-1-4
5	piston	piston	psrm420-1-5
6	saiba distantoare	needle bearing gasket	psrm420-1-6
7	rulment cu ace	needle bearing Ø9×Ø12×12	psrm420-1-7
8	bolt piston	piston pin	psrm420-1-8
9	siguranta bolt	circlip	psrm420-1-9

## Producător motoutilaje

## Documentatie tehnică

10	garnitura cilindru	cylinder gasket	psrm420-1-10
11	buson ulei	oil tank cap	psrm420-1-11
11a	ansamblu buson ulei	oil cap assy	psrm420-1-11a
12	O-ring	O ring Ø28×Ø4	psrm420-1-12
13	fir fluture	tank cap retainer	psrm420-1-13
14	semicarcter stanga	left crankcase	psrm420-1-14
15	izolator	crankcase heat isolation	psrm420-1-15
16	bolt ghidaj	pin Φ3×10	psrm420-1-16
17	garnitura semicarcter	crankcase gasket	psrm420-1-17
18	simering	oil sealing	psrm420-1-18
19	rulment	bearing	psrm420-1-19
20	ambielaj	crankshaft	psrm420-1-20
21	semicarcter dreapta	right crankcase	psrm420-1-21
22	bolt ghidaj	pin for brake spring	psrm420-1-22
23	limitator lant	chain catcher	psrm420-1-23
24	surub	screw M5×16	psrm420-1-24
25	gheara	spiked bumper	psrm420-1-25
26	prezon	supporting bolt	psrm420-1-26
27	supapa	vent nozzle	psrm420-1-27
28	surub	pin for gemel	psrm420-1-28
29	o-ring	O ring Ø7×Ø2	psrm420-1-29
30	surub	pin for front handle guard	psrm420-1-30
31	antrenor	tensioner gear	psrm420-1-31
32	surub intinzator	tensioner screw	psrm420-1-32
33	blocator	tensioner block	psrm420-1-33
34	pozitie blocator	position block	psrm420-1-34
35	capac intinzator	gear cover	psrm420-1-35
36	surub	screw M4×10	psrm420-1-36

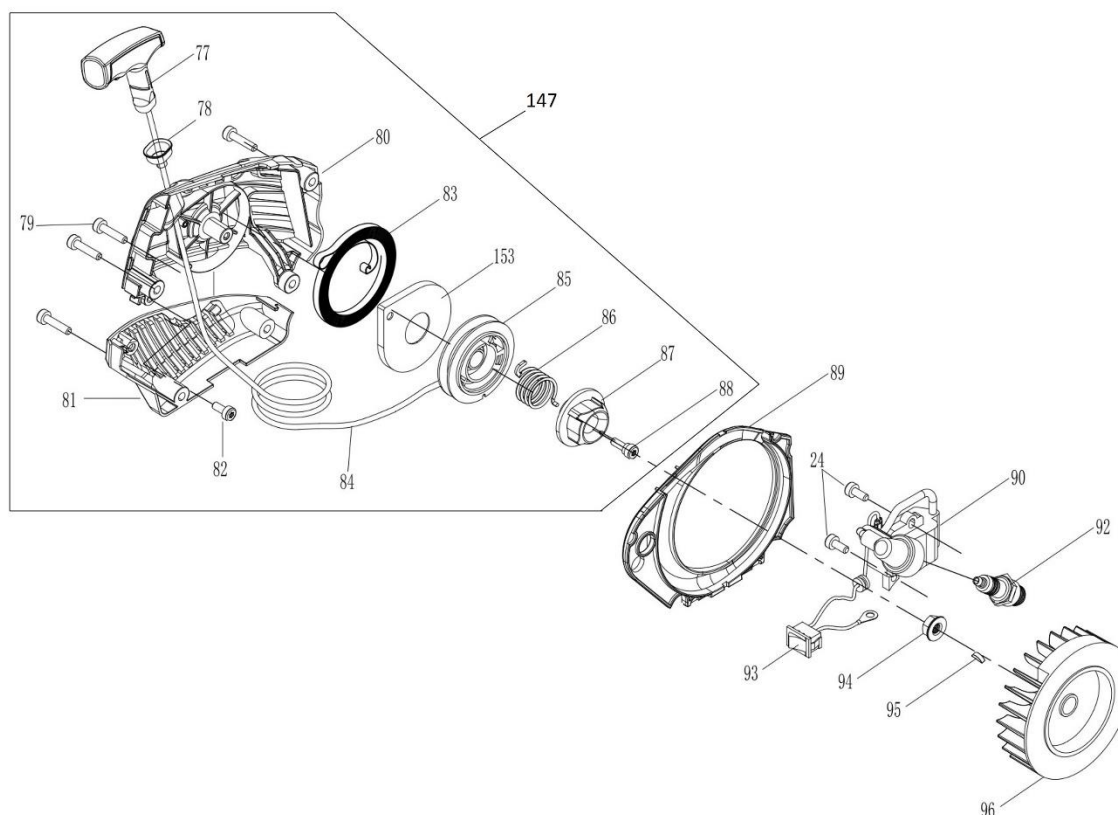


Nr.crt	Denumire produs	Product name	Cod comanda
37	blocator	lock lever	psrm420-2-37
38	bolt	pin Ø3×22	psrm420-2-38
39	bolt	pin Ø3×23	psrm420-2-39
40	tija	transfer bar	psrm420-2-40
41	carlig	hook	psrm420-2-41
42	capac	cylinder shield	psrm420-2-42
43	surub pozitie	position screw	psrm420-2-43
44	izolator	top heat isolation	psrm420-2-44
45	surub	tapping screw ST4.2×10	psrm420-2-45
46	carcasa	cylinder shield support	psrm420-2-46
47	surub	tapping screw ST5.7×16	psrm420-2-47
48	furtun	pump tube Ø2.5×Ø5×52	psrm420-2-48
49	pompita	primer bulb	psrm420-2-49
50	carcasa spate	rear cover	psrm420-2-50
51	suport filtru aer	air filter base	psrm420-2-51

## Producător motoutilaje

## Documentatie tehnică

52	arc	locking spring	psrm420-2-52
53	blocator	lock knob	psrm420-2-53
54	filtru aer	air filter	psrm420-2-54
55	ghidaj	L/H guider	psrm420-2-55
56	placa soc	throttle knob	psrm420-2-56
57	soc	choke knob	psrm420-2-57
58	suport soc	choke knob base	psrm420-2-58
59	inel	support ring	psrm420-2-59
60	carburator	carburettor	psrm420-2-60
61	tija acceleratie	throttle rod	psrm420-2-61
62	izolator	heat isolation tube	psrm420-2-62
63	furtun	pressure tube Ø2.5×Ø6×95	psrm420-2-63
64	siguranta	circlip	psrm420-2-64
65	suport carburator	carburettor support	psrm420-2-65
66	clapeta	hot/freeze change screen	psrm420-2-66
67	tub racord	intake pipe	psrm420-2-67
68	garnitura toba esapament	muffler gasket	psrm420-2-68
69	furtun	support tube	psrm420-2-69
70	toba esapament	muffler	psrm420-2-70
71	saiba	plain washer	psrm420-2-71
72	arc	spring washer	psrm420-2-72
73	surub	muffler screw	psrm420-2-73
74	protectie toba	muffler cover	psrm420-2-74
75	surub	screw M5×40	psrm420-2-75
76	surub	screw M5×12	psrm420-2-76

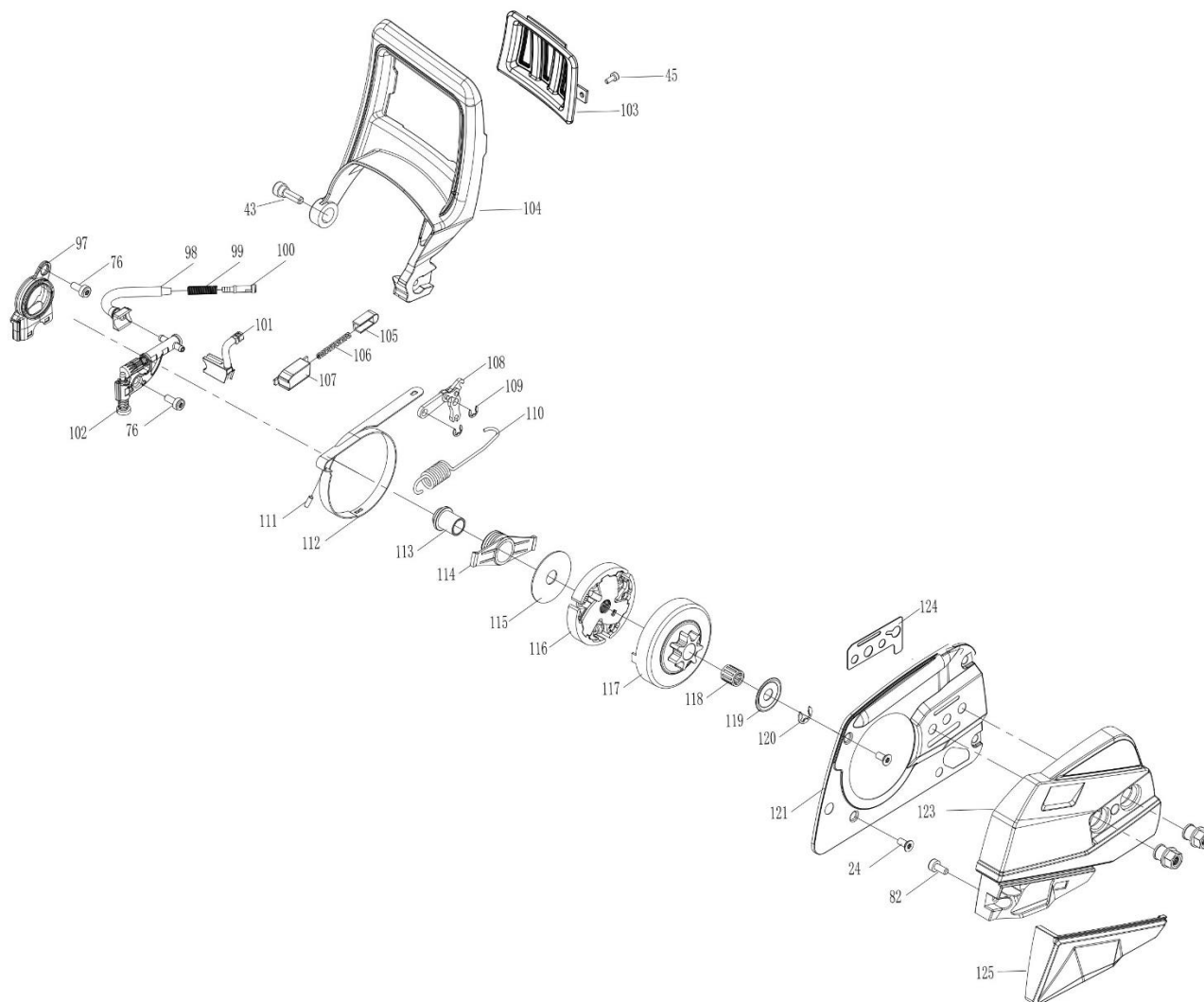


Nr.crt	Denumire produs	Product name	Cod comanda
77	maner demaror	starter handle	psrm420-3-77
78	protectie	eye ring	psrm420-3-78
79	surub	screw M5×25	psrm420-3-79
80	carcasa demaror	starter cover	psrm420-3-80
81	capac	air intake screen	psrm420-3-81
82	surub	tapping screw ST5.7×13	psrm420-3-82
83	arc	starter spring	psrm420-3-83
84	sfoara demaror	starter rope $\Phi 3 \times 920$	psrm420-3-84
85	rola sfoara	reel	psrm420-3-85
86	arc	starter torsion spring	psrm420-3-86
87	cuplaj	starter ratchet	psrm420-3-87
88	surub	starter screw	psrm420-3-88
89	deflector	flow guiding cover	psrm420-3-89
90	modul aprindere	ignition	psrm420-3-90
91	saiba izolatoare	heat isolating washer	psrm420-3-91
92	bujie	spark plug	br2t
93	buton	switch	psrm420-3-93
94	piulita	nut M8×1	psrm420-3-94

## Producător motoutilaje

## Documentatie tehnică

95	pana	semi-circle key	psrm420-3-95
96	volanta	rotator	psrm420-3-96
147	ansamblu demaror	starter assy.	psrm420-3-147

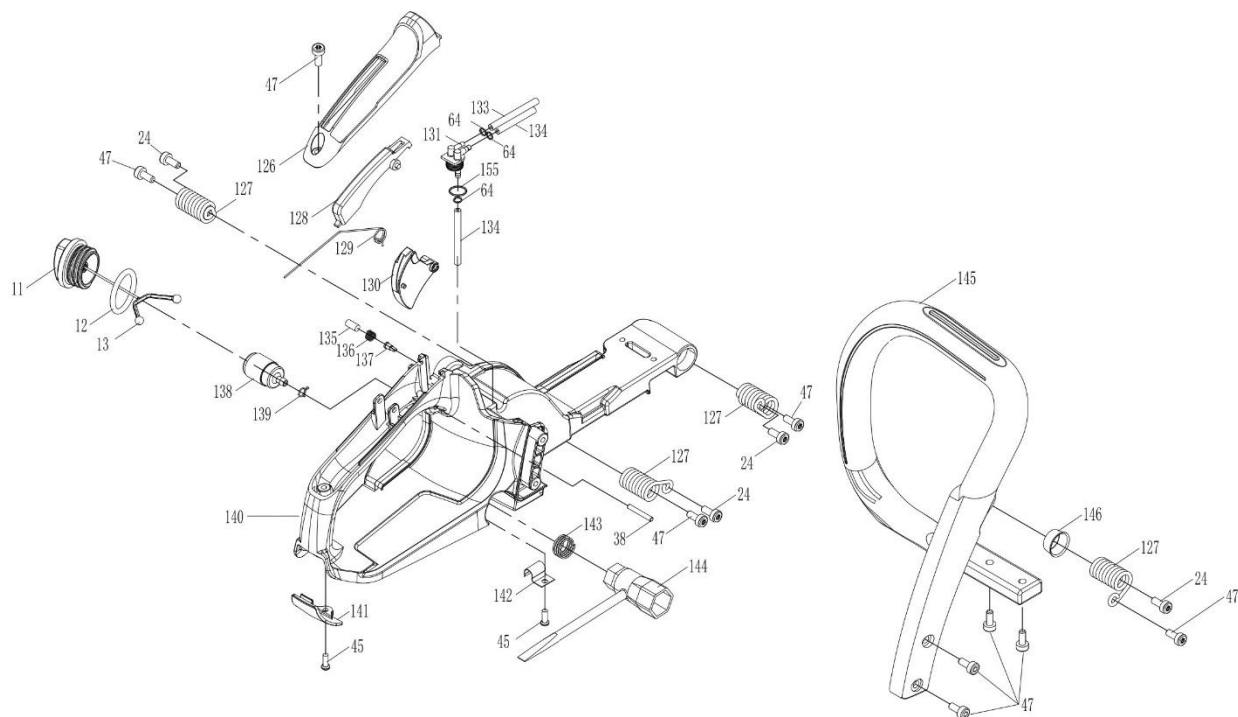


Nr.crt	Denumire produs	Product name	Cod comanda
97	carcasa pompa ulei	oil pump cover	psrm420-4-97
98	furtun ulei	oil tube	psrm420-4-98
99	arc filtru	oil filter spring	psrm420-4-99
100	filtru ulei	oil filter	psrm420-4-100
101	diuza	spray nozzle	psrm420-4-101
102	pompa ulei	oil pump	psrm420-4-102
103	capac	front handle guard fence	psrm420-4-103
104	frana	front handle guard	psrm420-4-104

## Producător motoutilaje

## Documentatie tehnică

105	protectie arc	return spring cover	psrm420-4-105
106	arc	return spring	psrm420-4-106
107	suport arc	return spring fixture	psrm420-4-107
108	intinzator	gemel	psrm420-4-108
109	siguranta	E ring Ø5	psrm420-4-109
110	arc frana	brake spring	psrm420-4-110
111	bolt	position pin Ø3×8	psrm420-4-111
112	colier franare	brake strap	psrm420-4-112
113	bucsa	bush for worm	psrm420-4-113
114	antrenor	worm	psrm420-4-114
115	saiba	washer for clutch	psrm420-4-115
116	ambreiaj	clutch	psrm420-4-116
117	roata lant	clutch drum	psrm420-4-117
118	rulment cu ace	needle bearing Ø10×Ø14×13	psrm420-4-118
119	saiba	anti-friction washer	psrm420-4-119
120	siguranta	E ring Ø8	psrm420-4-120
121	capac	brake spring cover	psrm420-4-121
122	surub	screw M5×16	psrm420-4-122
123	carcasa ambreiaj	clutch cover	psrm420-4-123
124	piulita	clutch cover nut	psrm420-4-124
125	capac	chip discharge cover	psrm420-4-125



Nr.crt	Denumire produs	Product name	Cod comanda
126	capac maner	rear handle cover	psrm420-5-126
127	arc	anti-vibration spring	psrm420-5-127
128	blocator acceleratie	throttle trigger lock-out	psrm420-5-128
129	arc	throttle trigger spring	psrm420-5-129
130	cocos acceleratie	throttle trigger	psrm420-5-130
131	conector	pipe connection	psrm420-5-131
132	sigurana	circlip	psrm420-5-132
133	furtun retur	return tube Ø2.5×Ø5×118	psrm420-5-133
134	furtun combustibil	supply tube Ø2.5×Ø5×93	psrm420-5-134
135	filtru	filter	psrm420-5-135
136	arc	spring	psrm420-5-136
137	supapa	vent valve	psrm420-5-137
138	filtru combustibil	fuel filter	psrm420-5-138
139	clema	clip Ø6×Ø1	psrm420-5-139
140	rezervor combustibil	rear handle	psrm420-5-140
141	capac inferior	bottom cover	psrm420-5-141
142	suport prindere	strap spring	psrm420-5-142
143	arc fixare	fixture spring	psrm420-5-143
144	cheie bujie	spark plug wrench	psrm420-5-144
145	maner	front handle	psrm420-5-145
146	baza arc	spring base	psrm420-5-146