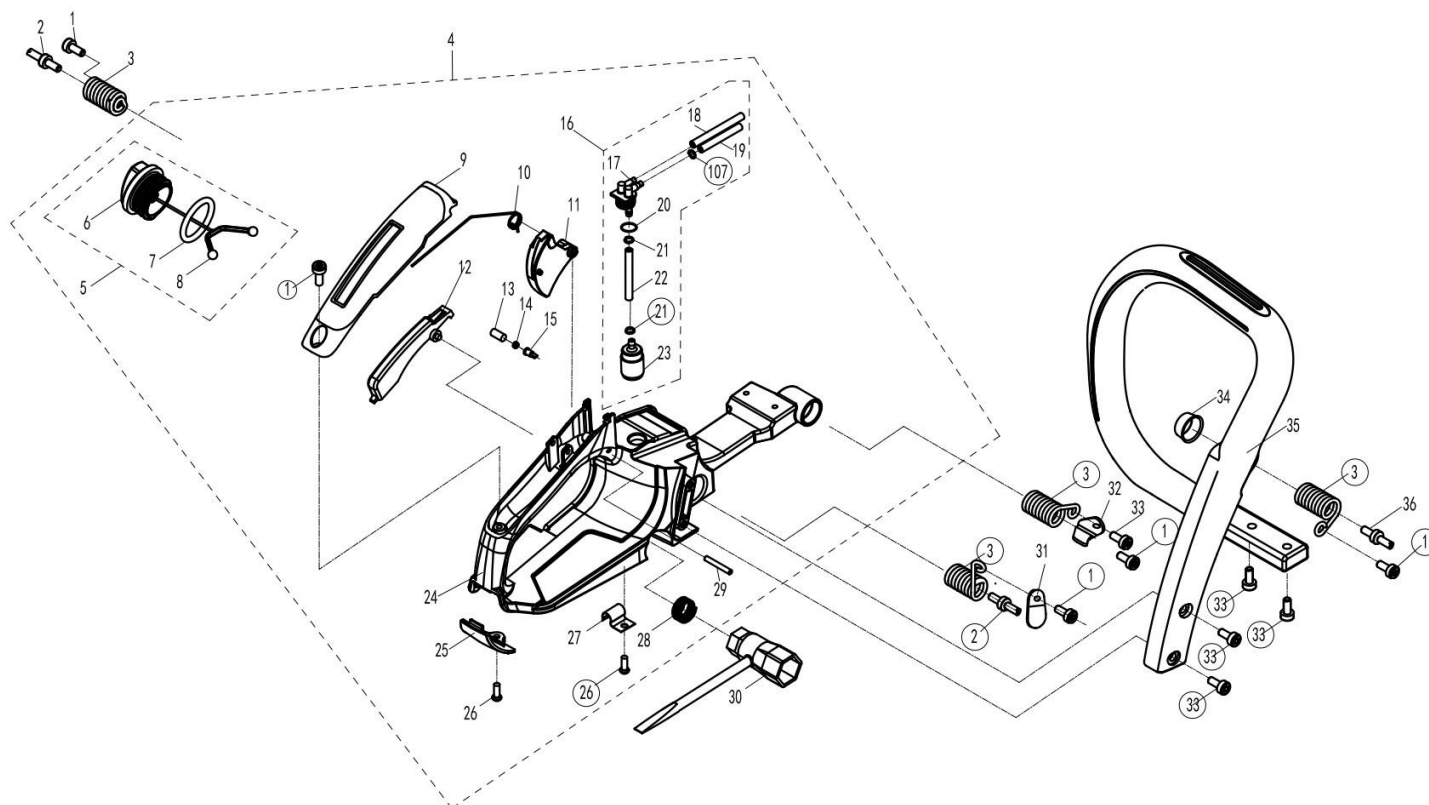


Documentatie tehnica motoferastrau Ruris RM350

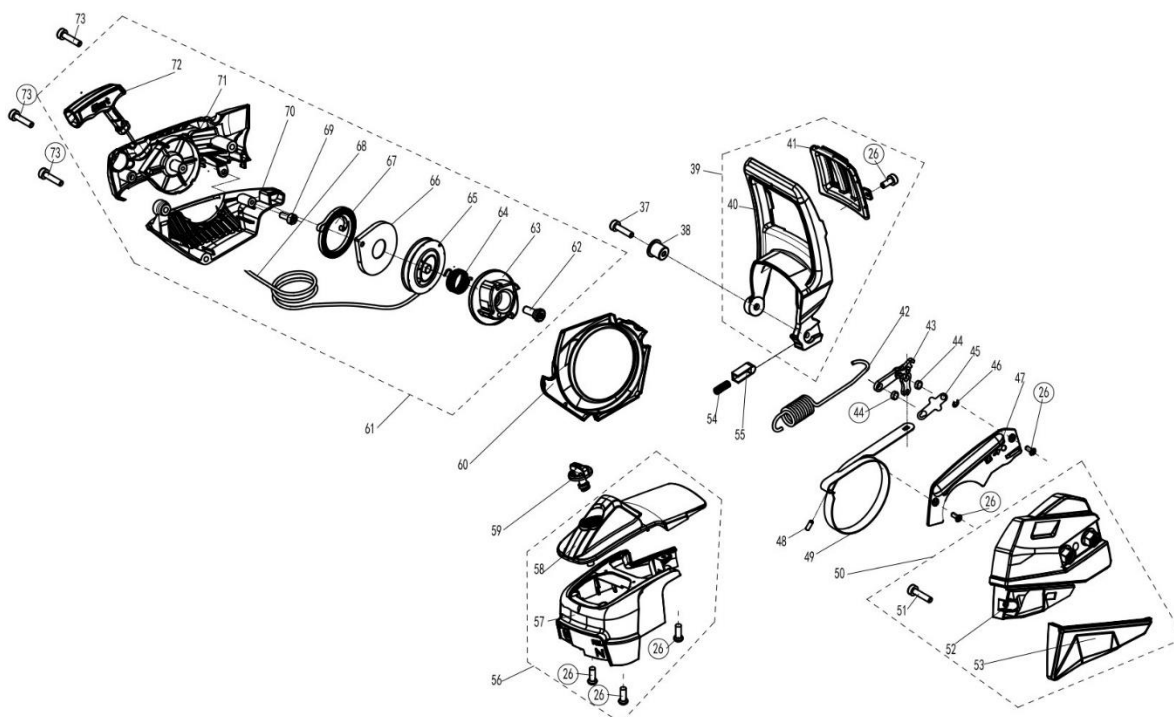


Nr.crt	Denumire produs	Product name	Cod comanda
1	surub	tapping screw ST5.7×16	psrm350-1-1
2	surub	rear handle screw	psrm350-1-2
3	arc	anti-vibration spring	psrm350-1-3
4	ansamblu rezervor combustibil	rear handle assembly	psrm350-1-4
5	ansamblu buson	oil tank cap assembly	psrm350-1-5
6	buson	oil tank cap	psrm350-1-6
7	o-ring	O ring Ø28×Ø3.55	psrm350-1-7
8	fir fluture	tank cap retainer	psrm350-1-8
9	capac maner	rear handle cover	psrm350-1-9
10	arc	throttle trigger spring	psrm350-1-10
11	cocos acceleratie	throttle trigger	psrm350-1-11
12	blocator acceleratie	throttle trigger lock-out	psrm350-1-12
13	supapa	filter	psrm350-1-13
14	arc	spring	psrm350-1-14

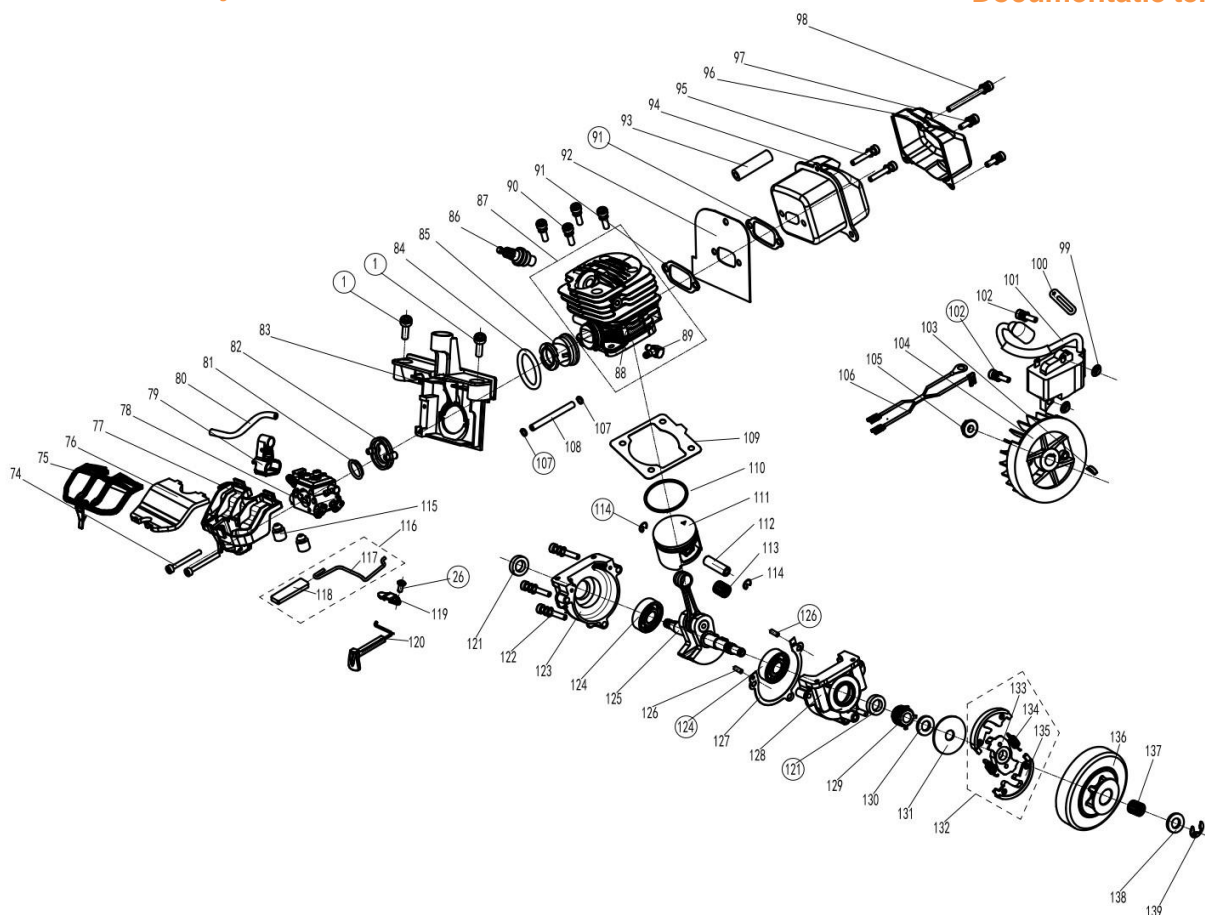
Producător motoutilaje

Documentatie tehnica

15	conector	vent valve	psrm350-1-15
16	sistem alimentare	fuel supply system	psrm350-1-16
17	conector	pipe connection	psrm350-1-17
18	furtun retur	return tube $\varnothing 2.5 \times \varnothing 5 \times 250$	psrm350-1-18
19	furtun combustibil	upper fuel tube $\varnothing 3 \times \varnothing 5.5 \times 85$	psrm350-1-19
20	o-ring	O ring 10x1.5	psrm350-1-20
21	siguranta	circlip	psrm350-1-21
22	furtun combustibil	bottom fuel tube $\varnothing 2.5 \times \varnothing 5 \times 110$	psrm350-1-22
23	filtru combustibil	fuel filter	psrm350-1-23
24	rezervor combustibil	rear handle	psrm350-1-24
25	capac inferior	bottom cover	psrm350-1-25
26	surub	tapping screw ST4x10	psrm350-1-26
27	suport prindere	strap spring	psrm350-1-27
28	arc fixare	fixture spring	psrm350-1-28
29	pin	pin 3x25	psrm350-1-29
30	cheie bujie	spark plug wrench	psrm350-1-30
31	capac	anti-vibration spring cover	psrm350-1-31
32	limitator	chain catcher	psrm350-1-32
33	surub	tapping screw ST5.7x20	psrm350-1-33
34	baza arc	spring base	psrm350-1-34
35	maner	front handle	psrm350-1-35
36	surub	rear handle fixing screw	psrm350-1-36



Nr.crt	Denumire produs	Product name	Cod comanda
37	surub	tapping screw ST5×25	psrm350-2-37
38	bucsa	bush for front handle guard	psrm350-2-38
39	ansamblu frana	front handle guard assembly	psrm350-2-39
40	frana	front handle guard	psrm350-2-40
41	capac	front handle guard fence	psrm350-2-41
42	arc frana	brake spring	psrm350-2-42
43	intinzator	gemel	psrm350-2-43
44	bucsa	Bush 6.2×8×3	psrm350-2-44
45	capac	gemel cover	psrm350-2-45
46	siguranta	E ring Ø4	psrm350-2-46
47	capac arc frana	brake spring cover	psrm350-2-47
48	bolt	pin 3×9	psrm350-2-48
49	colier franare	brake strap	psrm350-2-49
50	ansamblu capac ambreiaj	clutch cover assembly	psrm350-2-50
51	surub	tapping screw ST4.8×12	psrm350-2-51
52	capac ambreiaj	clutch cover	psrm350-2-52
53	capac	chip discharge cover	psrm350-2-53
54	arc	return spring	psrm350-2-54
55	capac arc	return spring cover	psrm350-2-55
56	ansamblu carcasa cilindru	cylinder shield assembly	psrm350-2-56
57	capota	rear cover	psrm350-2-57
58	capac	cylinder shield	psrm350-2-58
59	piulita fluture	cylinder shield nut	psrm350-2-59
60	deflector	flow guiding cover	psrm350-2-60
61	ansamblu demaror	starter assembly	psrm350-2-61
62	surub demaror	starter screw	psrm350-2-62
63	cuplaj	starter ratchet	psrm350-2-63
64	arc	starter torsion spring	psrm350-2-64
65	rola demaror	reel	psrm350-2-65
66	carcasa arc	spring cover	psrm350-2-66
67	arc	starter spring	psrm350-2-67
68	sfoara demaror	starter rope	psrm350-2-68
69	surub	tapping screw ST5×16	psrm350-2-69
70	carcasa	air intake screen	psrm350-2-70
71	capac demaror	starter cover assembly	psrm350-2-71
72	maner demaror	starter handle	psrm350-2-72
73	surub	tapping screw ST5.7×25	psrm350-2-73



Nr.crt	Denumire produs	Product name	Cod comanda
74	surub	carburettor bolt M4×45	psrm350-3-74
75	carcasa filtru aer	air filter cover	psrm350-3-75
76	filtru aer	air filter	psrm350-3-76
77	suport filtru aer	air filter base	psrm350-3-77
78	carburator	carburettor	psrm350-3-78
79	ghidaj	L/H guider	psrm350-3-79
80	furtun combustibil	pump tube Ø2.5×Ø5×120	psrm350-3-80
81	inel	support ring	psrm350-3-81
82	conector	carburettor cushion block	psrm350-3-82
83	placa	carburettor supporting frame	psrm350-3-83
84	O-ring	oil sealing spring	psrm350-3-84
85	tub racord	intake pipe	psrm350-3-85
86	bujie	spark plug	br2t
87	ansamblu cilindru	cylinder assembly	psrm350-3-87
88	cilindru	cylinder	psrm350-3-88
89	decompresor	pressure nozzle	psrm350-3-89

Producător motoutilaje

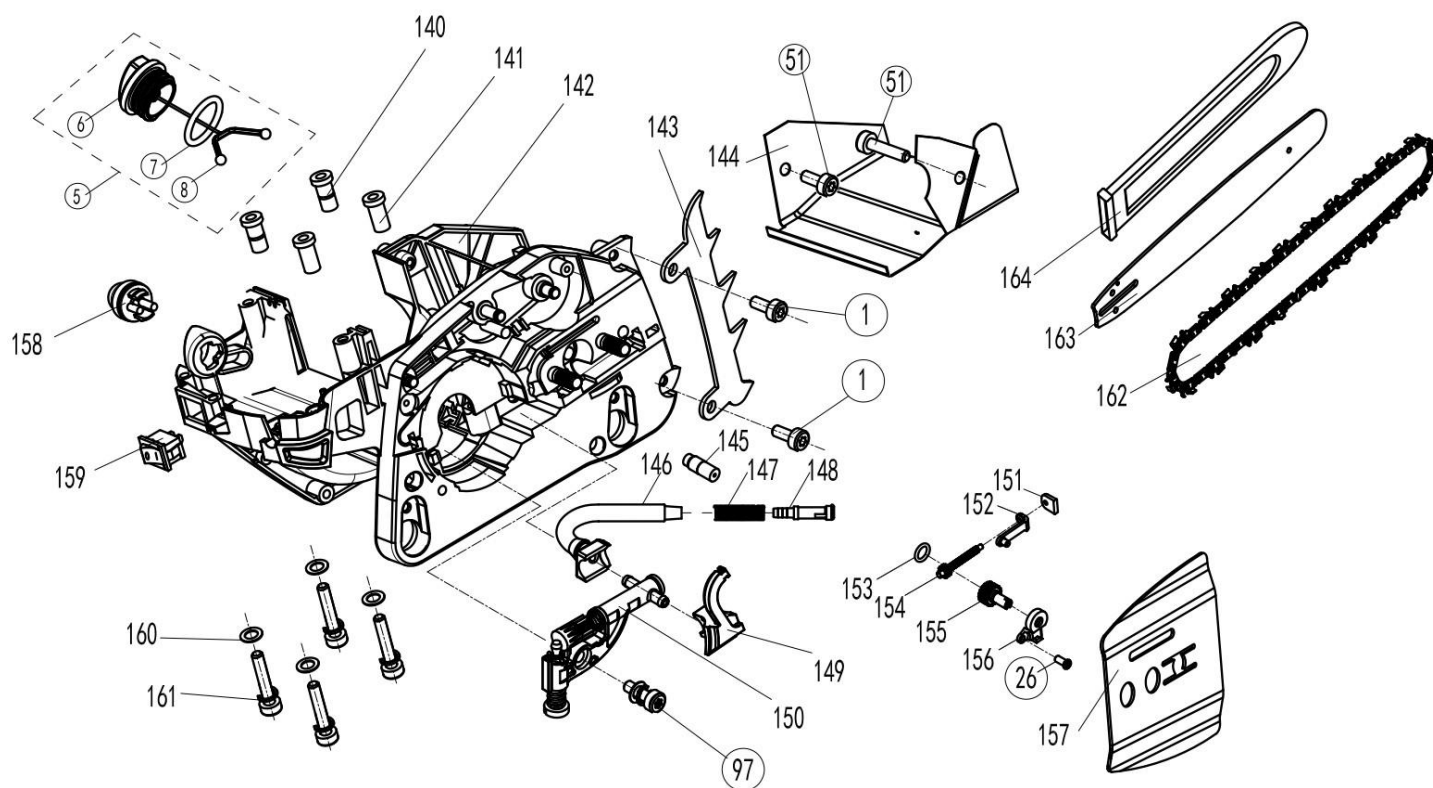
Documentatie tehnică

90	surub	screw M5×20	psrm350-3-90
91	garnitura toba esapament	muffler gasket	psrm350-3-91
92	izolator	air flow guide plate	psrm350-3-92
93	furtun	support tube	psrm350-3-93
94	toba esapament	muffler	psrm350-3-94
95	surub	screw M5×25	psrm350-3-95
96	protectie toba	muffler cover	psrm350-3-96
97	surub	screw M5×16	psrm350-3-97
98	surub	screw M5×55	psrm350-3-98
99	saiba	washer for ignition	psrm350-3-99
100	protectie	protective sleeve	psrm350-3-100
101	modul aprindere	ignition	psrm350-3-101
102	surub	screw M5×20	psrm350-3-102
103	pana	semi-circle key	psrm350-3-103
104	volanta	rotator	psrm350-3-104
105	piulita	nut M8×1	psrm350-3-105
106	cablu	ignition interrupting wire	psrm350-3-106
107	sigurnata	circlip	psrm350-3-107
108	furtun	pressure tube	psrm350-3-108
109	garnitura cilindru	cylinder gasket	psrm350-3-109
110	segmenti	piston ring	psrm350-3-110
111	piston	piston	psrm350-3-111
112	bolt piston	piston pin	psrm350-3-112
113	rulment cu ace	needle bearing Ø9×Ø12×11.5	psrm350-3-113
114	siguranta bolt	circlip	psrm350-3-114
115	amortizor	rubber block	psrm350-3-115
116	ansamblu tija acceleratie	throttle rod assembly	psrm350-3-116
117	tija acceleratie	throttle rod	psrm350-3-117
118	buton acceleratie	throttle knob	psrm350-3-118
119	suport soc	choke knob cover	psrm350-3-119
120	soc	choke knob	psrm350-3-120
121	simering	oil sealing	psrm350-3-121
122	surub	screw M5×30	psrm350-3-122
123	semicarcter stanga	left crankcase	psrm350-3-123
124	rulment	bearing	psrm350-3-124
125	ambielaj	crankshaft	psrm350-3-125
126	pin ghidaj	pin 5×10	psrm350-3-126
127	garnitura semicarcter	crankcase gasket	psrm350-3-127
128	semicarcter dreapta	right crankcase	psrm350-3-128
129	antrenor	worm	psrm350-3-129
130	saiba	washer for worm	psrm350-3-130

Producător motoutilaje

Documentatie tehnică

131	saiba	washer for clutch	psrm350-3-131
132	ansamblu ambreiaj	clutch	psrm350-3-132
133	rotor	retainer	psrm350-3-133
134	arc	clutch spring	psrm350-3-134
135	contragreutati	shoe block	psrm350-3-135
136	roata lant	clutch drum	psrm350-3-136
137	rulment cu ace	needle bearing Ø8×Ø12×11.5	psrm350-3-137
138	saiba	washer for clutch drum	psrm350-3-138
139	siguranta	E ring Ø6	psrm350-3-139



Nr.crt	Denumire produs	Product name	Cod comanda
140	bucsa	short bush	psrm350-4-140
141	bucsa	long bush	psrm350-4-141
142	sasiu	engine case	psrm350-4-142
143	gheara	spiked bumper	psrm350-4-143
144	izolator	heat isolating plate	psrm350-4-144
145	valva ulei	oil tank vent valve	psrm350-4-145
146	futun ulei	oil tube	psrm350-4-146
147	arc filtru	oil filter spring	psrm350-4-147

Producător motoutilaje

Documentatie tehnică

148	filtru ulei	oil filter	psrm350-4-148
149	diuza	spray nozzle	psrm350-4-149
150	pompa ulei	oil pump	psrm350-4-150
151	blocator pozitie	position block	psrm350-4-151
152	blocator	tensioner block	psrm350-4-152
153	o-ring	O ring Ø6×Ø2	psrm350-4-153
154	surub intinzator	tensioner screw	psrm350-4-154
155	antrenor	tensioner gear	psrm350-4-155
156	protectie	gear cover	psrm350-4-156
157	capac intinzator	tensioner cover	psrm350-4-157
158	pompita	primer bulb	psrm350-4-158
159	buton on/off	switch	psrm350-4-159
160	saiba	heat isolating washer	psrm350-4-160
161	surub	screw M5×35	psrm350-4-161
162	lant	Saw chain	psrm350-4-162
163	lama	Guide bar	psrm350-4-163
164	protectie lama	Guide bar cover	psrm350-4-164