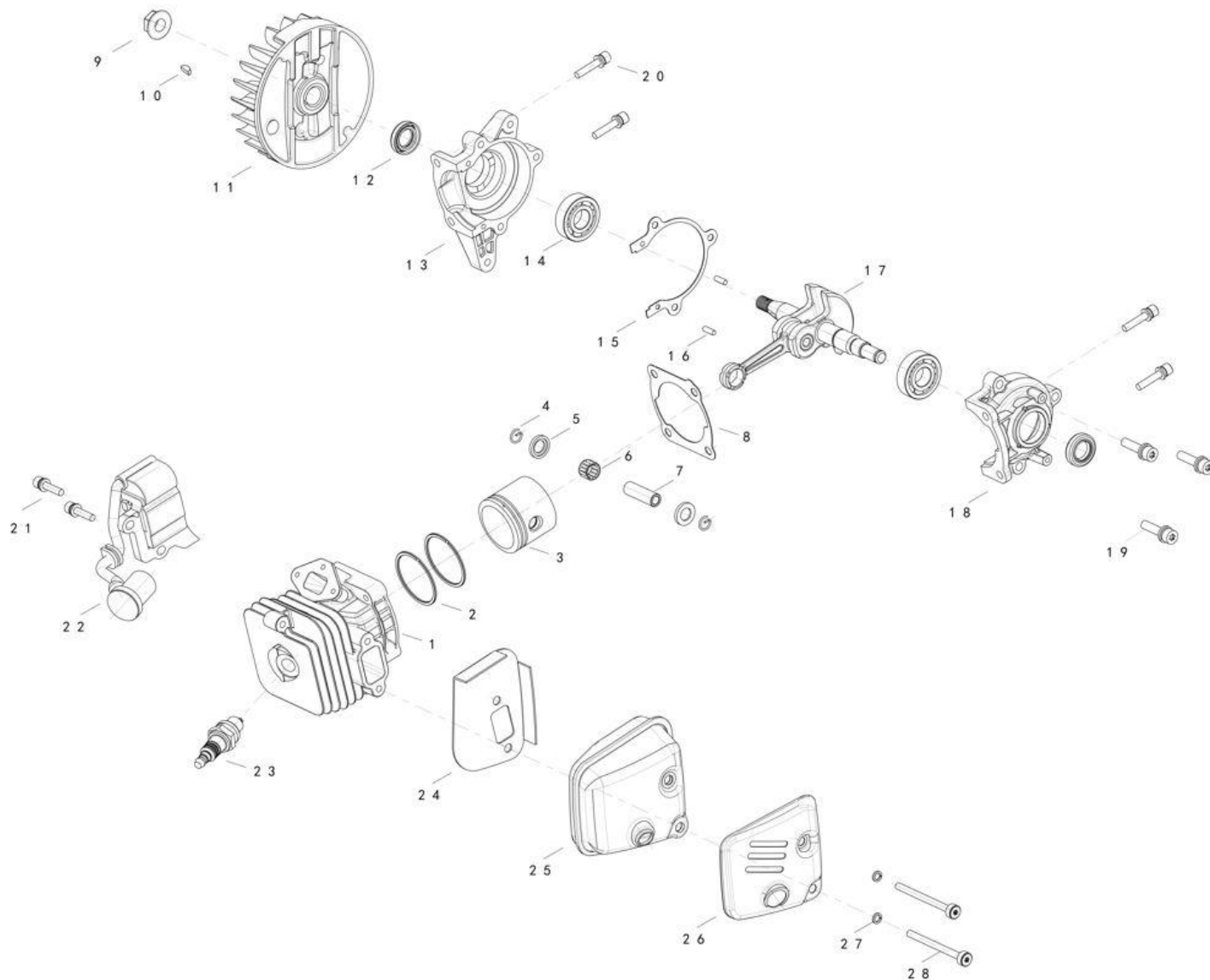


Documentatie tehnică motoferastrau Ruris RM 300

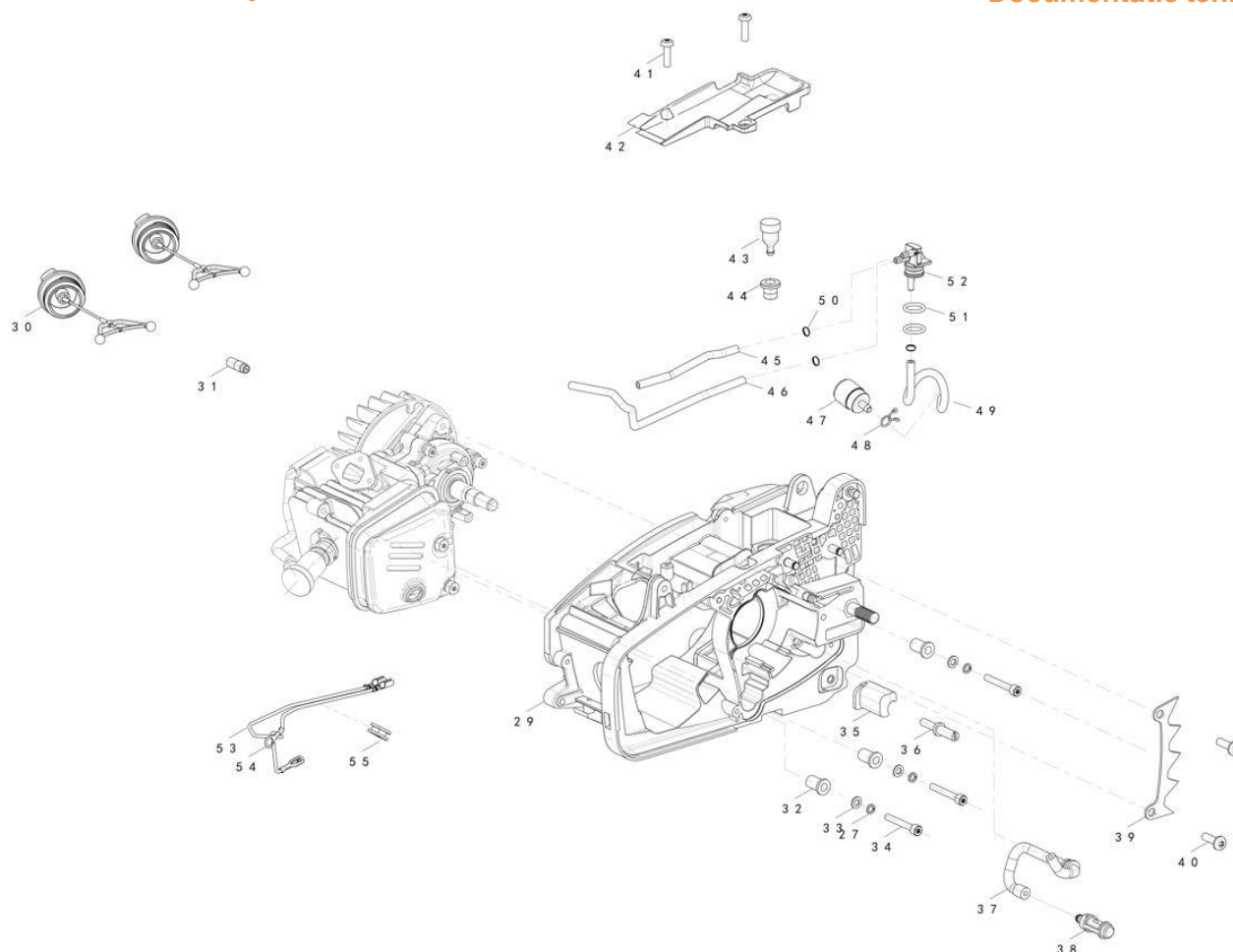


Nr.crt	Denumire produs	Product name	Cod comanda
1	cilindru	cylinder	psrm300-1-1
2	segmenti	piston ring	psrm300-1-2
3	piston	piston	psrm300-1-3
4	siguranta	circlip	psrm300-1-4
5	garnitura	needle bearing gasket	psrm300-1-5
6	rulment cu ace	needle bearing	psrm300-1-6

Producător motoutilaje

Documentatie tehnică

7	bolt piston	piston pin	psrm300-1-7
8	garnitura cilindru	cylinder sealing gasket	psrm300-1-8
9	piulita	nut M8x1	psrm300-1-9
10	pana	semi-circle key	psrm300-1-10
11	volanta	rotator	psrm300-1-11
12	simering	left oil seal $\varnothing 12 \times \varnothing 20 \times 5$	psrm300-1-12
13	semicarter stanga	left crankcase	psrm300-1-13
14	rulment 6001	bearing 6001	psrm300-1-14
15	garnita carter	crankcase gasket	psrm300-1-15
16	bolt	pin 3*9	psrm300-1-16
17	biela	crankshaft	psrm300-1-17
18	semicarter dreapta	right crankcase	psrm300-1-18
19	surub	screw M5*25	psrm300-1-19
20	surub	screw M5*20	psrm300-1-20
21	surub	screw M5*18	psrm300-1-21
22	modul aprindere	ignition	psrm300-1-22
23	bujie	spark plug	br2t
24	garnitura toba esapament	muffler gasket	psrm300-1-24
25	toba esapament	muffler	psrm300-1-25
26	carcasa toba esapament	muffler cover	psrm300-1-26
27	saiba	spring washer	psrm300-1-27
28	surub	screw M5*50	psrm300-1-28

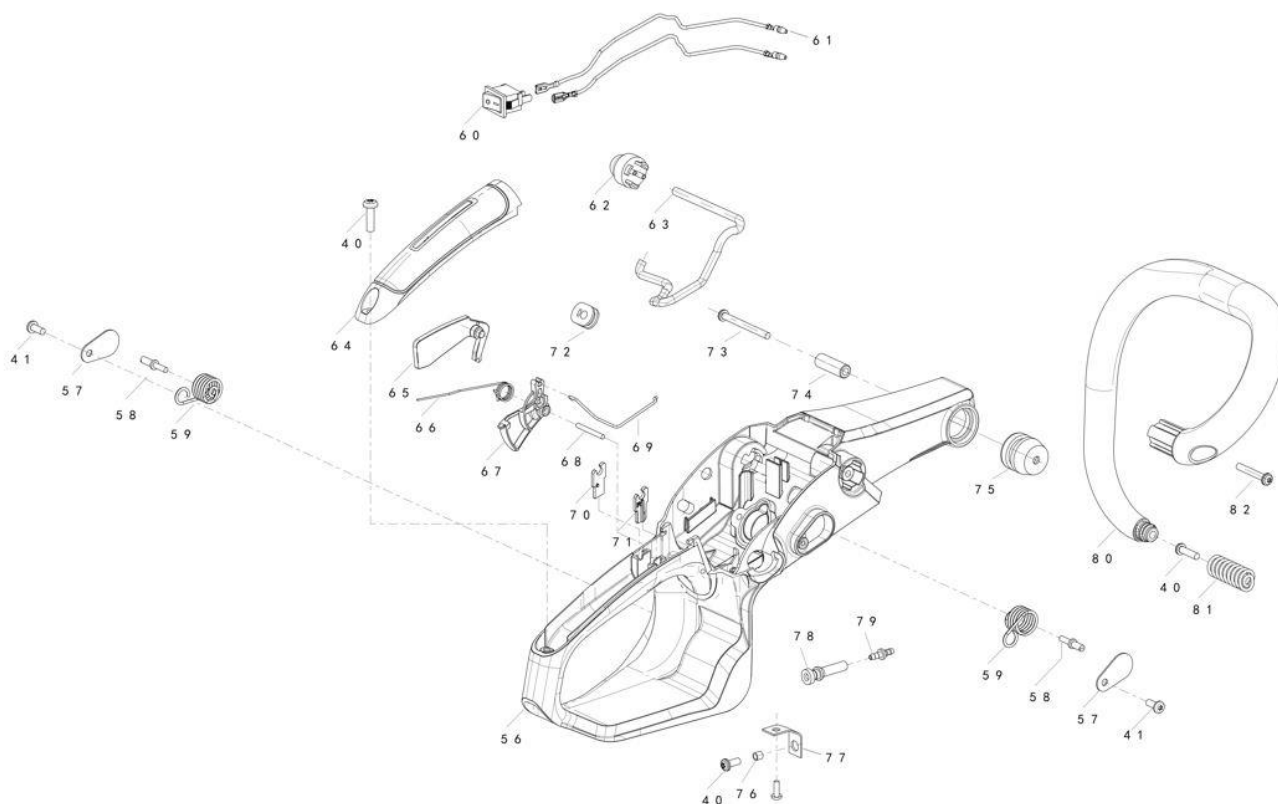


Nr.crt	Denumire produs	Product name	Cod comanda
29	ansamblu rezervor	base assembly	psrm300-2-29
30	buson ulei	oil tank cap	psrm300-2-30
31	supapa	valve	psrm300-2-31
32	bucsa	base bushing	psrm300-2-32
33	saiba	washer	psrm300-2-33
34	surub	screw M5*28	psrm300-2-34
35	limitator	link stopper	psrm300-2-35
36	surub limitator	chain block screw	psrm300-2-36
37	furtun alimentare ulei	spray nozzle	psrm300-2-37
38	filtru ulei	oil filter	psrm300-2-38
39	gheara	felling dog	psrm300-2-39
40	surub	tapping screw ST4.8*14	psrm300-2-40
41	surub	tapping screw ST4.2*10	psrm300-2-41
42	protectie cablu	wire cover	psrm300-2-42

Producător motoutilaje

Documentatie tehnică

43	supapa dezaerare	balancer	psrm300-2-43
44	suport supapa dezaerare	balancer base	psrm300-2-44
45	furtun combustibil	fuel pipe	psrm300-2-45
46	furtun	insulated pipe	psrm300-2-46
47	filtru combustibil	filter	psrm300-2-47
48	clema	clamp	psrm300-2-48
49	furtun	pipe A	psrm300-2-49
50	siguranta	clip	psrm300-2-50
51	o-ring	O ring 10x1.5	psrm300-2-51
52	suport	fittings	psrm300-2-52
53	cablu motor stop	off line	psrm300-2-53
54	cablu masa	ground line	psrm300-2-54
55	clema cablu	wire clip	psrm300-2-55

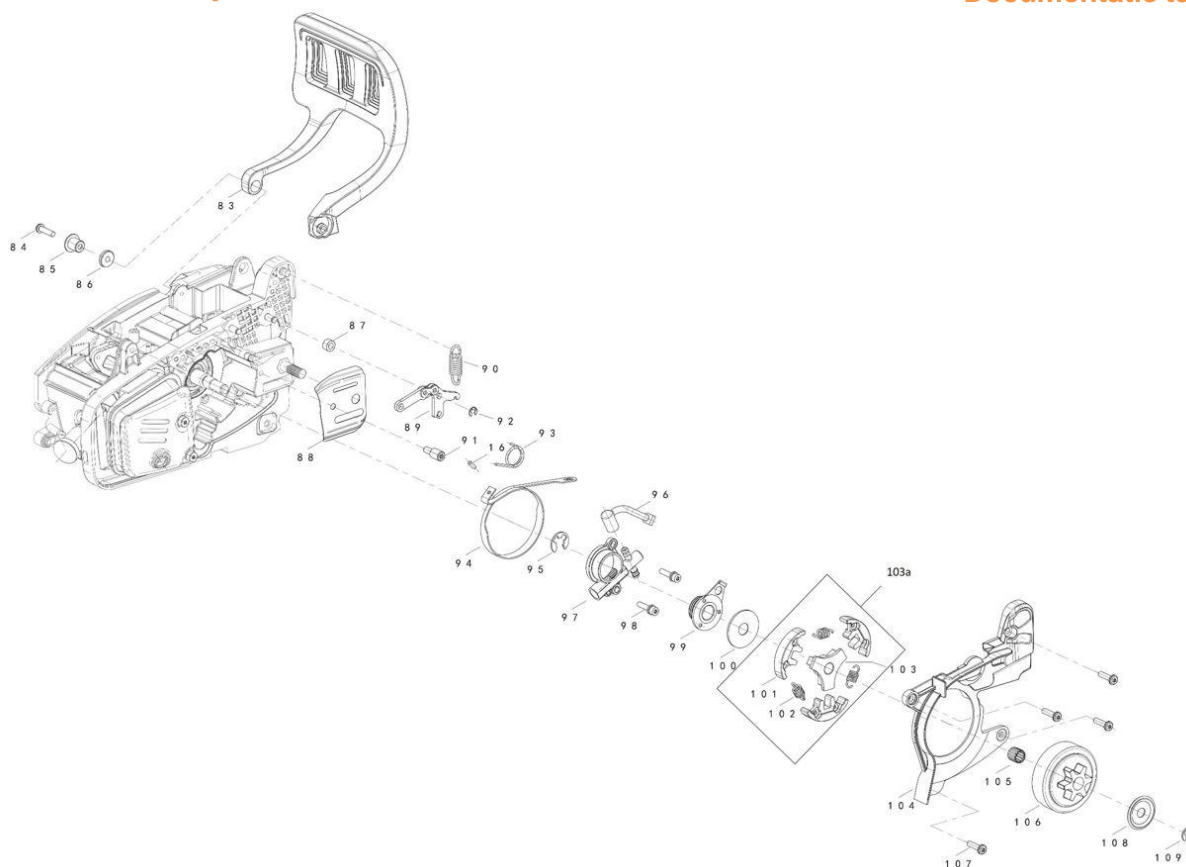


Nr.crt	Denumire produs	Product name	Cod comanda
56	maner	handle	psrm300-3-56
57	capac arc	spring cover	psrm300-3-57
58	surub maner	handle screw	psrm300-3-58

Producător motoutilaje

Documentatie tehnică

59	arc	spring	psrm300-3-59
60	switch on/off	auto reset switch	psrm300-3-60
61	cablu	line	psrm300-3-61
62	pompita amorsare	pump ball	psrm300-3-62
63	furtun pompita	pump pipe	psrm300-3-63
64	capac maner	handle cover	psrm300-3-64
65	blocator acceleratie	trigger control	psrm300-3-65
66	arc	spring	psrm300-3-66
67	cocos acceleratie	trigger	psrm300-3-67
68	bolt	pin	psrm300-3-68
69	blocator	block	psrm300-3-69
70	suport	control arm seat	psrm300-3-70
71	suport	control arm seat	psrm300-3-71
72	control acceleratie	trigger control	psrm300-3-72
73	surub	tapping screw ST4.2*45	psrm300-3-73
74	arc	spring	psrm300-3-74
75	amortizor	damping seat	psrm300-3-75
76	manson	casing	psrm300-3-76
77	prindere	weight belt	psrm300-3-77
78	clema cablu	wire clip	psrm300-3-78
79	stut	cable	psrm300-3-79
80	maner	trigger spring	psrm300-3-80
81	arc	trigger	psrm300-3-81
82	surub	handle cover	psrm300-3-82

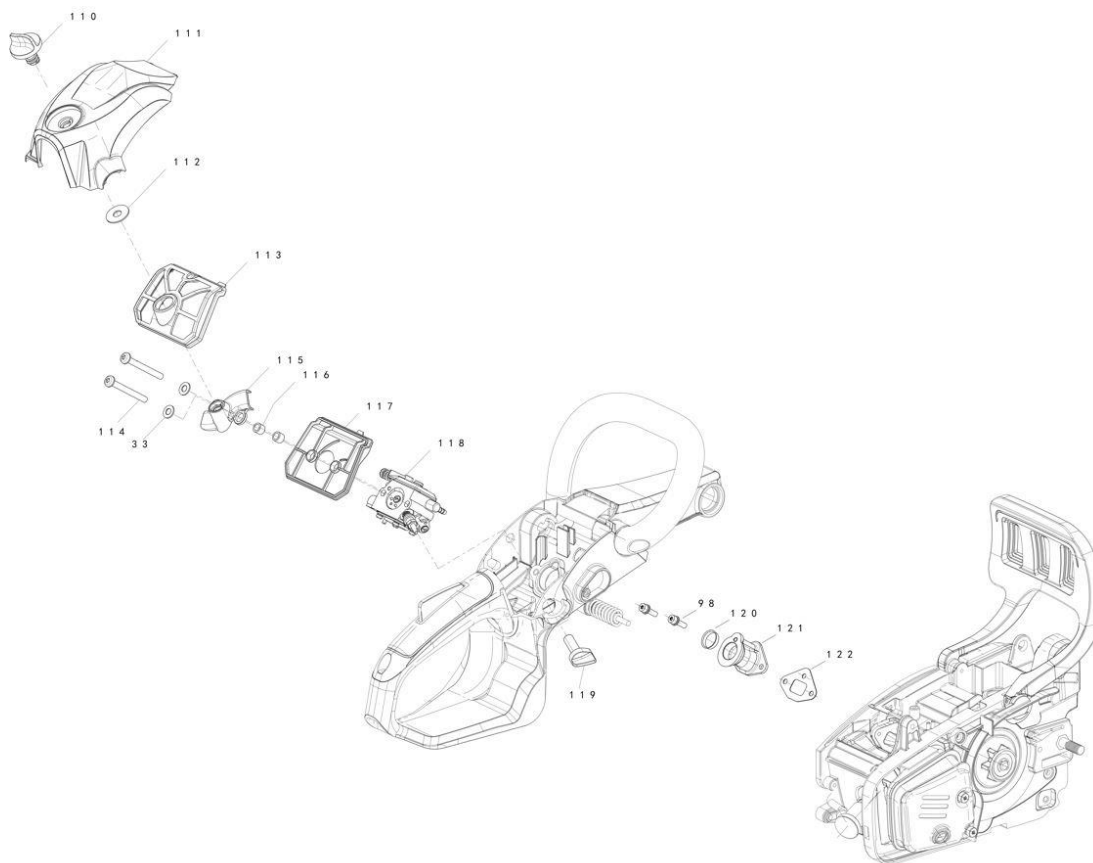


Nr.crt	Denumire produs	Product name	Cod comanda
83	scut protectie	front handle guard	psrm300-4-83
84	surub	screw M4*14	psrm300-4-84
85	bucsa	front bezel bushing	psrm300-4-85
86	suport bucsa	front bezel block	psrm300-4-86
87	manson	casing	psrm300-4-87
88	carcasa	cover	psrm300-4-88
89	intinzator	hinge	psrm300-4-89
90	arc frana	break spring	psrm300-4-90
91	surub	lead screw	psrm300-4-91
92	siguranta	E rings M4	psrm300-4-92
93	arc	spring for front handle guard	psrm300-4-93
94	colier franare	break strap	psrm300-4-94
95	siguranta	E rings M12	psrm300-4-95
96	capac pompa ulei	oil pump cover	psrm300-4-96
97	pompa ulei	oil pump	psrm300-4-97
98	surub	screw M4*14	psrm300-4-98
99	antrenor	worm	psrm300-4-99

Producător motoutilaje

Documentatie tehnică

100	saiba ambreiaj	washer for clutch	psrm300-4-100
101	contragreutati	brake cheek	psrm300-4-101
102	resort	clutch spring	psrm300-4-102
103	rotor	support ring	psrm300-4-103
103a	ansamblu ambreiaj	clutch assy.	psrm300-4-103a
104	carcasa	break spring cover	psrm300-4-104
105	rulment cu ace	needle bearing	psrm300-4-105
106	roata lant	clutch drum	psrm300-4-106
107	surub	tapping screw ST4.2*12	psrm300-4-107
108	saiba	washers	psrm300-4-108
109	siguranta	E rings M6	psrm300-4-109

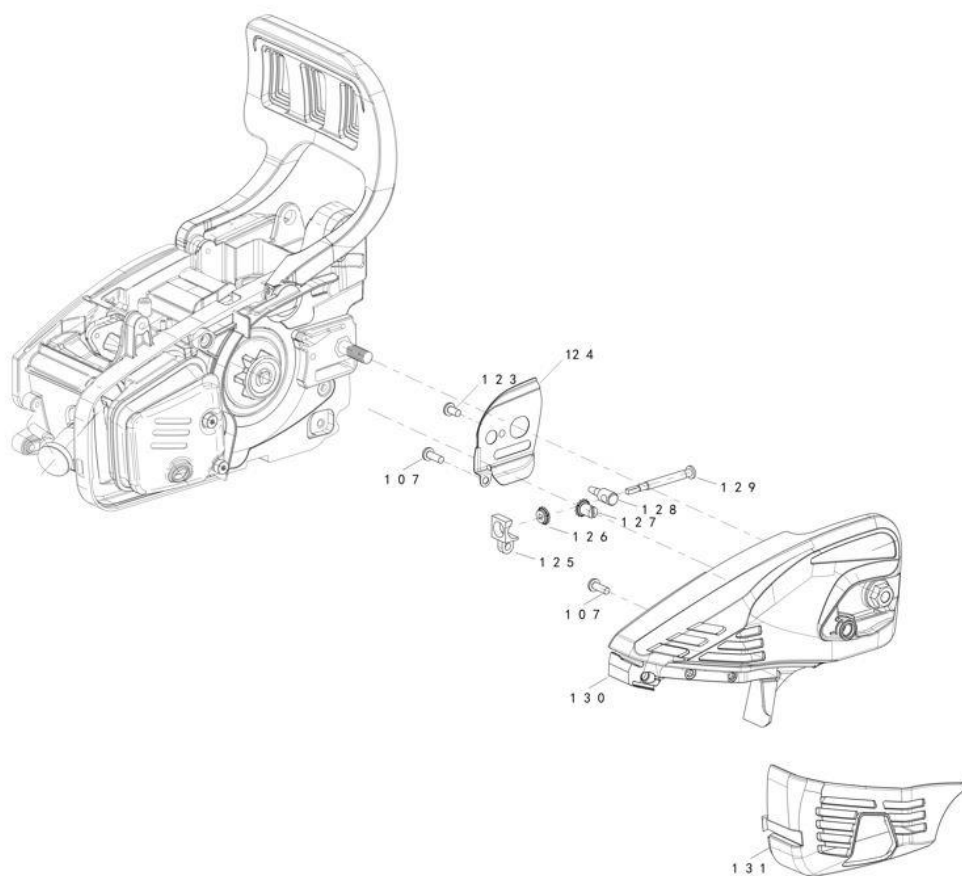


Nr.crt	Denumire produs	Product name	Cod comanda
110	surub fluture	Air filter lock	psrm300-5-110
111	carcasa filtru aer	air filter	psrm300-5-111
112	saiba	Air filter lock washer	psrm300-5-112
113	capac superior	upper cover	psrm300-5-113
114	surub fluture	screw M5*45	psrm300-5-114

Producător motoutilaje

Documentatie tehnică

115	suport filtru aer	air filter base	psrm300-5-115
116	filtru aer	air filter felt	psrm300-5-116
117	capac inferior	bottom cover	psrm300-5-117
118	carburator	carburetor	psrm300-5-118
119	soc	choke knob	psrm300-5-119
120	inel	support ring	psrm300-5-120
121	tub racord	intake-tube	psrm300-5-121
122	garnitura	intake-tube sealing gasket	psrm300-5-122

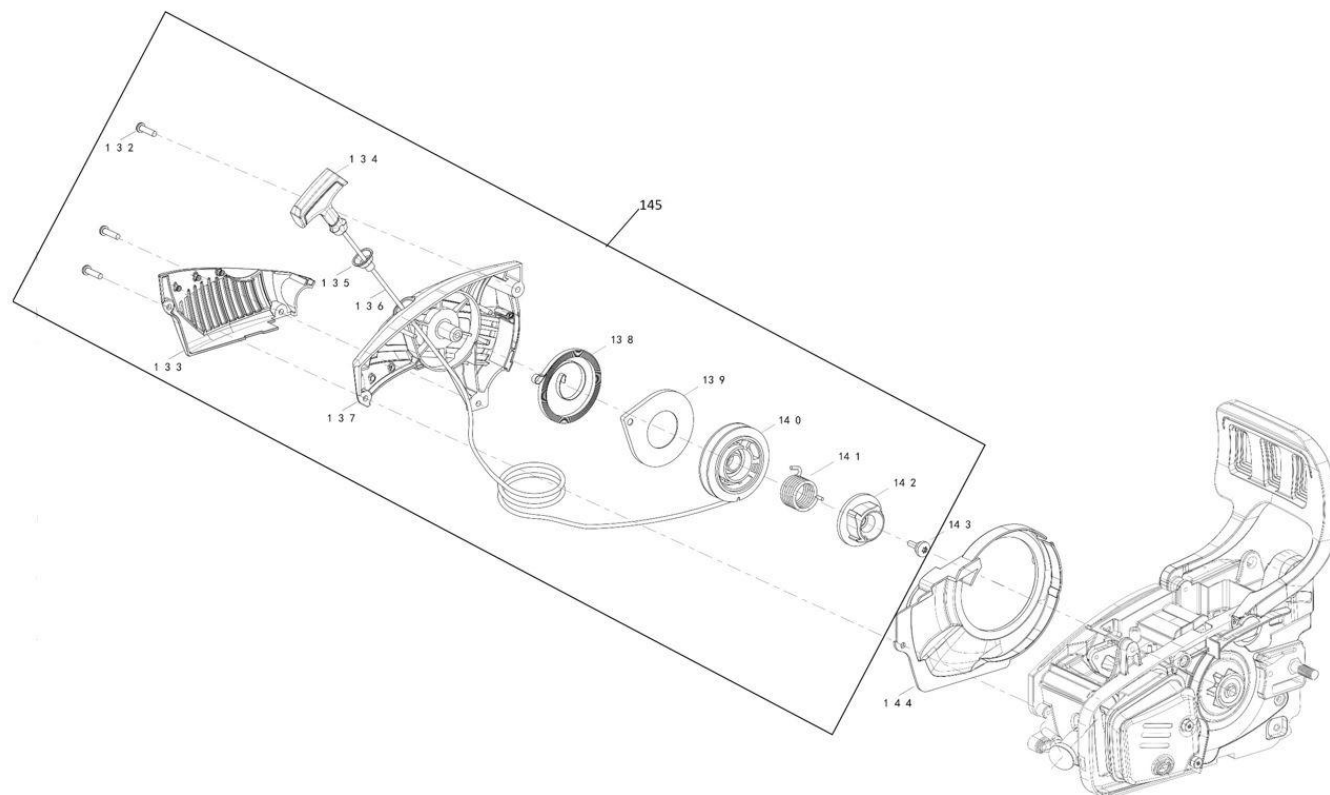


Nr.crt	Denumire produs	Product name	Cod comanda
123	surub	tapping screw ST4.2*8	psrm300-6-123
124	placa tensiune	tensioner cover	psrm300-6-124
125	suport	gear base	psrm300-6-125
126	antrenor	passive tensioner gear	psrm300-6-126
127	ax	initiative tensioner gear	psrm300-6-127
128	bolt tensiune	tensioner block	psrm300-6-128
129	surub intindere lant	tensioner screw	psrm300-6-129

Producător motoutilaje

Documentatie tehnică

130	carcasa ambreiaj	clutch cover	psrm300-6-130
131	carcasa toba esapament	muffler cover	psrm300-6-131



Nr.crt	Denumire produs	Product name	Cod comanda
132	surub	tapping screw ST4.2*16	psrm300-7-132
133	carcasa demaror	start cover	psrm300-7-133
134	maner demaror	starter handle	psrm300-7-134
135	protectie	sheath of rope	psrm300-7-135
136	sfoara demaror	starter rope	psrm300-7-136
137	capac demaror	start cover	psrm300-7-137
138	arc demaror	starter spring	psrm300-7-138
139	capac arc	starter spring cover	psrm300-7-139
140	rola sfoara	rope wheel	psrm300-7-140
141	arc	ratchet spring	psrm300-7-141
142	butuc	ratchet	psrm300-7-142
143	surub	start screw	psrm300-7-143
144	suport demaror	flow guiding cover	psrm300-7-144
145	ansamblu demaror	starter assy	psrm300-7-145