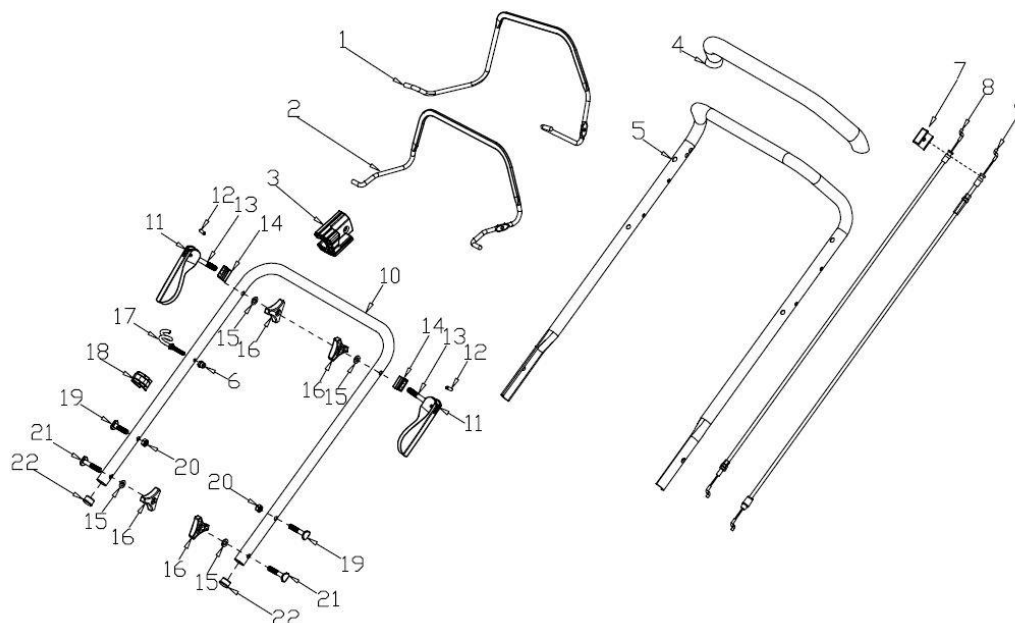


Documentatie tehnica masina de tuns gazon RXM 1000

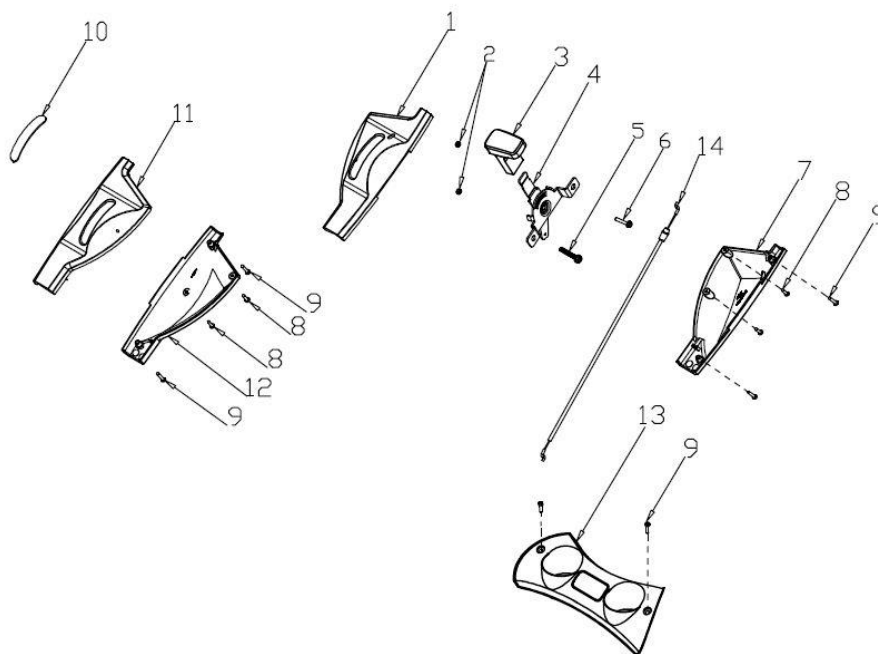


Nr.crt	Denumire produs	Product name	Cod comanda
1	maneta actionare roti	Clutch Lever	psrxm1000-1-1
2	maneta motor stop	Brake Lever	psrxm1000-1-2
3	suport cablu	Limiting Stopper	psrxm1000-1-3
4	protectie maner	Foam Pipe	psrxm1000-1-4
5	maner	Upper Handle	psrxm1000-1-5
6	piulita	Nut	psrxm1000-1-6
7	clema fixare cablu	Cable Fixing Clamp	psrxm1000-1-7
8	cablu motor stop	Cable	psrxm1000-1-8
9	cablu actionare roti	Clutch cabel	psrxm1000-1-9
10	suport maner	Lower Handle	psrxm1000-1-10
11	maner rapid	Handle	psrxm1000-1-11
12	bolt	Pin	psrxm1000-1-12
13	bolt	Pin	psrxm1000-1-13
14	blocator	Handle base	psrxm1000-1-14
15	saiba	Flat Washer	psrxm1000-1-15
16	rozeta flutur	Knob	psrxm1000-1-16
17	carlig	Rope Guide	psrxm1000-1-17
18	suport cablu	Cable Support	psrxm1000-1-18
19	surub	Bolt	psrxm1000-1-19

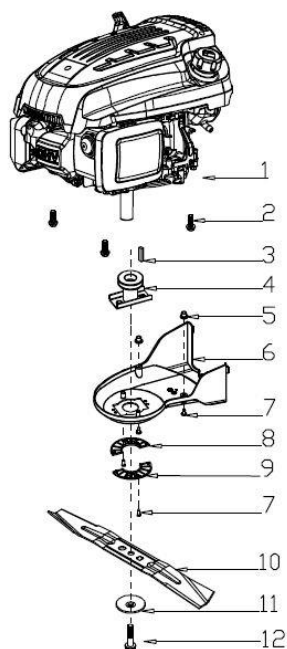
Producător motoutilaje

Documentatie tehnică

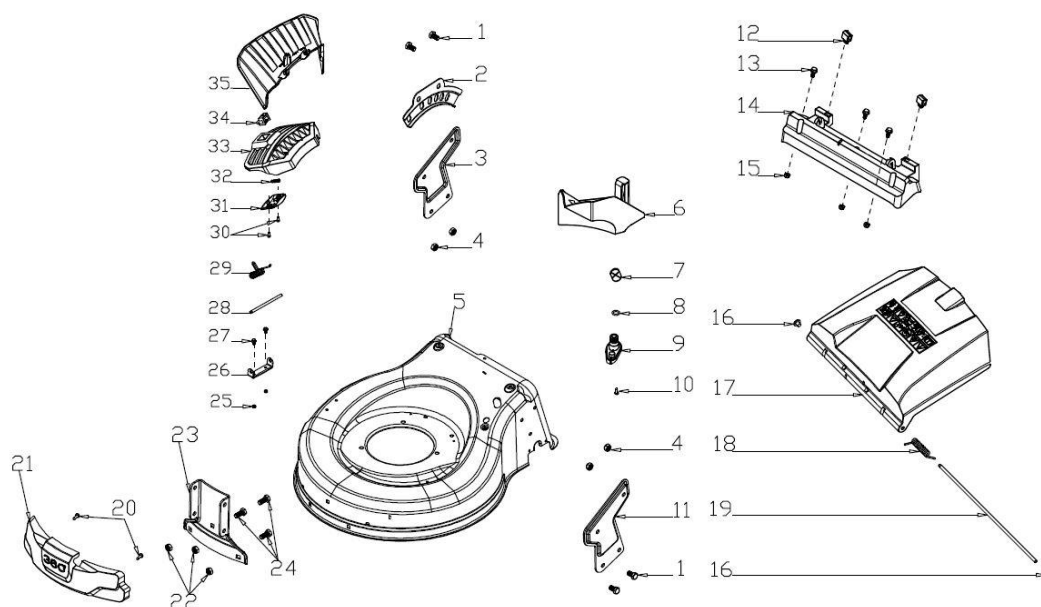
20	piulita	Nut	psrxm1000-1-20
21	surub	Bolt	psrxm1000-1-21
22	dop	Handle Plug	psrxm1000-1-22



Nr.crt	Denumire produs	Product name	Cod comanda
1	capac superior stanga	Upper Cover of Left Panel	psrxm1000-2-1
2	piulita	Nut	psrxm1000-2-2
3	prindere plastic	Plastic Grip	psrxm1000-2-3
4	maner acceleratie	Handle	psrxm1000-2-4
5	surub	Bolt	psrxm1000-2-5
6	surub	Bolt	psrxm1000-2-6
7	capac inferior stanga	Lower Cover of Left Panel	psrxm1000-2-7
8	surub	Screw	psrxm1000-2-8
9	surub	Screw	psrxm1000-2-9
10	panou	Handle Panel	psrxm1000-2-10
11	capac superior dreapta	Upper Cover of Right Panel	psrxm1000-2-11
12	capac inferior dreapta	Lower Cover of Right Panel	psrxm1000-2-12
13	panou	Handle Panel	psrxm1000-2-13
14	cablu	Cable	psrxm1000-2-14



Nr.crt	Denumire produs	Product name	Cod comanda
1	motor	Engine	psrx311s-3-1
2	surub	Bolt	psrxm1000-3-2
3	pana	Flat Key	psrxm1000-3-3
4	suport cutit	Blade adapter	psrxm1000-3-4
5	surub	Screw Cap	psrxm1000-3-5
6	protectie curea	Belt Cover	psrxm1000-3-6
7	surub	Screw	psrxm1000-3-7
8	placa protectie curea	Belt Cover Plate	psrxm1000-3-8
9	placa protectie curea	Belt Cover Plate	psrxm1000-3-9
10	cutit	20" Blade	psrxm1000-3-10
11	saiba cutit	Blade Washer	psrxm1000-3-11
12	surub cutit	Blade Bolt	psrxm1000-3-12

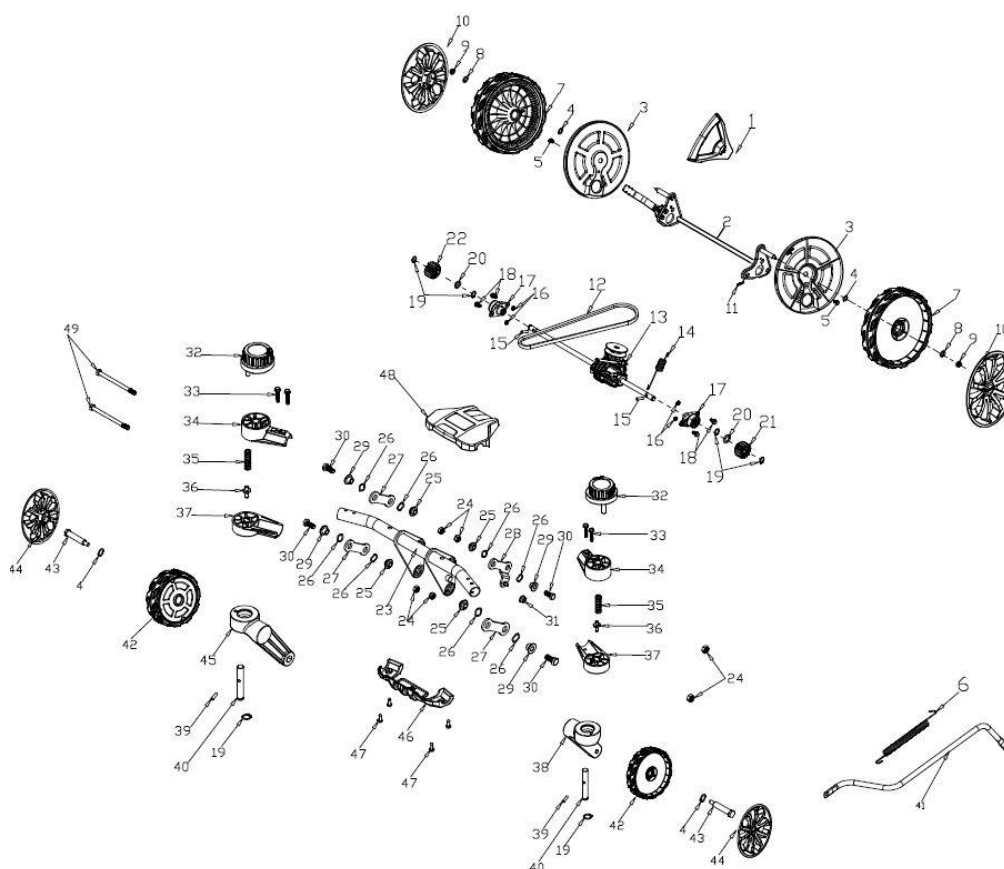


Nr.crt	Denumire produs	Product name	Cod comanda
1	surub	Bolt	psrxm1000-4-1
2	placa ajustare inaltime	Height Adjustment Plate	psrxm1000-4-2
3	suport dreapta	Right Bracket	psrxm1000-4-3
4	piulita	Nut	psrxm1000-4-4
5	carcasa	Deck	psrxm1000-4-5
6	capac mulching	Mulching Plug	psrxm1000-4-6
7	manson	Cable Sleeve	psrxm1000-4-7
8	o-ring	O ring	psrxm1000-4-8
9	saiba	Washing Linker	psrxm1000-4-9
10	piulita	Screw	psrxm1000-4-10
11	suport stanga	Left Bracket	psrxm1000-4-11
12	suport	Rear Cover Support	psrxm1000-4-12
13	surub	Bolt	psrxm1000-4-13
14	suport capac evacuare	Rear Cover Pedestal	psrxm1000-4-14
15	piulita	Nut	psrxm1000-4-15
16	siguranta	plug	psrxm1000-4-16
17	capac evacuare	Rear Cover	psrxm1000-4-17
18	arc capac evacuare	Rear Cover Spring	psrxm1000-4-18
19	ax capac evacuare	Rear Cover Shaft	psrxm1000-4-19
20	surub	Screw	psrxm1000-4-20
21	capac fata	Guard board	psrxm1000-4-21
22	piulita	Nut	psrxm1000-4-22
23	placa fixare	Fixed plate	psrxm1000-4-23

Producător motoutilaje

Documentatie tehnică

24	surub	Bolt	psrxm1000-4-24
25	piulita	Nut	psrxm1000-4-25
26	suport	Side Discharge Bracket	psrxm1000-4-26
27	surub	Bolt	psrxm1000-4-27
28	ax	Side Discharge Cover Shaft	psrxm1000-4-28
29	arc	Side Discharge Cover Spring	psrxm1000-4-29
30	surub	Screw	psrxm1000-4-30
31	capac	Cover Plate	psrxm1000-4-31
32	arc	Spring	psrxm1000-4-32
33	capac lateral	Side Discharge cover	psrxm1000-4-33
34	mecanism blocare	Lock	psrxm1000-4-34
35	ghidaj evacuare laterala	Side-Discharge Guiding Board	psrxm1000-4-35



Nr.crt	Denumire produs	Product name	Cod comanda
1	levier ajustare inaltime	Height Adjustment Handle	psrxm1000-5-1
2	ax roti spate	Rear Wheel Shaft	psrxm1000-5-2
3	capac interior roata	Inner Wheel Cover	psrxm1000-5-3

Producător motoutilaje

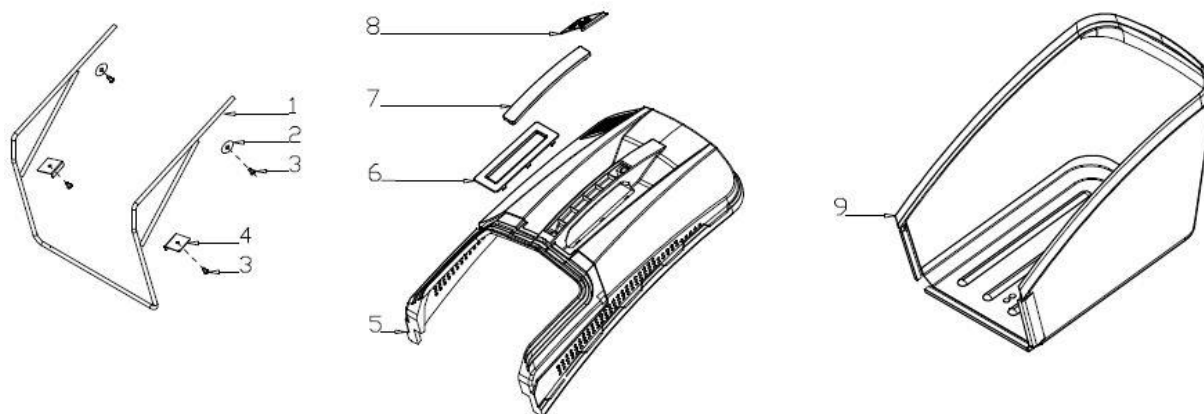
Documentatie tehnică

4	saiba	Spring Washer	psrxm1000-5-4
5	surub	Bolt	psrxm1000-5-5
6	arc	Height adjustment Spring	psrxm1000-5-6
7	roata 11"	11" wheel	psrxm1000-5-7
8	saiba	Flat Washer	psrxm1000-5-8
9	piulita	Nut	psrxm1000-5-9
10	ornament roata 11"	11" Outer Wheel Cover	psrxm1000-5-10
11	bolt despicat	Split Pin	psrxm1000-5-11
12	curea	Belt	psrxm1000-5-12
13	ansamblu transmisie	Gearbox	psrxm1000-5-13
14	arc	Spring	psrxm1000-5-14
15	bolt	Pin	psrxm1000-5-15
16	piulita	Nut	psrxm1000-5-16
17	lagar	Shaft Sleeve	psrxm1000-5-17
18	surub	Bolt	psrxm1000-5-18
19	siguranta	Lock Ring	psrxm1000-5-19
20	saiba	Flat Washer	psrxm1000-5-20
21	roata dintata stanga	Left Gear	psrxm1000-5-21
22	roata dintata dreapta	Right Gear	psrxm1000-5-22
23	tija	Connecting rod	psrxm1000-5-23
24	piulita	Nut	psrxm1000-5-24
25	bucsa	Bush	psrxm1000-5-25
26	saiba	Flat Washer	psrxm1000-5-26
27	placa	plate	psrxm1000-5-27
28	placa	plate	psrxm1000-5-28
29	bucsa	Bush	psrxm1000-5-29
30	surub	Bolt	psrxm1000-5-30
31	piulita	Nut	psrxm1000-5-31
32	rozeta	Lock Knob	psrxm1000-5-32
33	surub	Screw	psrxm1000-5-33
34	capac superior rozeta	upper cover of Lock	psrxm1000-5-34
35	arc	Spring	psrxm1000-5-35
36	bolt	Pin	psrxm1000-5-36
37	capac inferior rozeta	lower cover of Lock	psrxm1000-5-37
38	suport	holder	psrxm1000-5-38
39	bolt	Pin	psrxm1000-5-39
40	ax	rotating shaft	psrxm1000-5-40
41	tija	Connecting Rod	psrxm1000-5-41
42	roata 8"	8" Wheel	psrxm1000-5-42
43	ax roti fata	Wheel axle	psrxm1000-5-43
44	ornament roata 8"	8" Outer Wheel Cover	psrxm1000-5-44

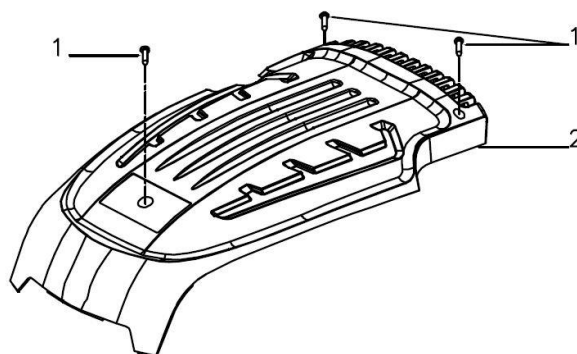
Producător motoutilaje

Documentatie tehnică

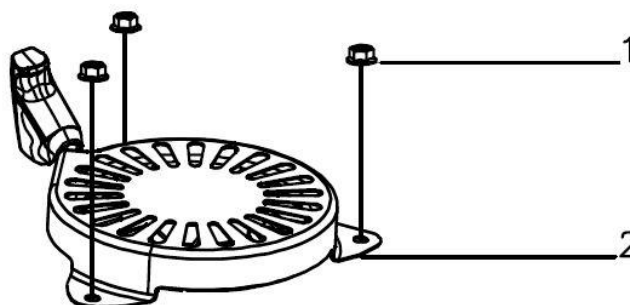
45	suport	Holder	psrxm1000-5-45
46	capac inferior	Lower cover	psrxm1000-5-46
47	surub	Screw	psrxm1000-5-47
48	capac superior	upper cover	psrxm1000-5-48
49	surub	Bolt	psrxm1000-5-49



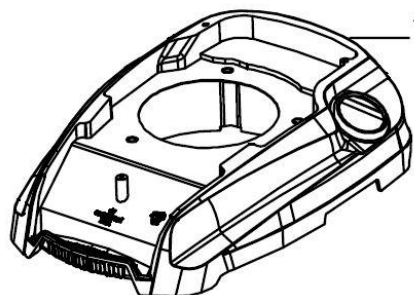
Nr.crt	Denumire produs	Product name	Cod comanda
1	cadru sac colector	Metal Bracket	psrxm1000-6-1
2	saiba	Flat Washer	psrxm1000-6-2
3	surub	Screw	psrxm1000-6-3
4	placa	fixed plate	psrxm1000-6-4
5	carcasa	Plastic Cover	psrxm1000-6-5
6	capac	Cover Plate	psrxm1000-6-6
7	maner carcasa	Handle cover	psrxm1000-6-7
8	indicator	Indicated Board	psrxm1000-6-8
9	sac colector	Fabric bag	psrxm1000-6-9



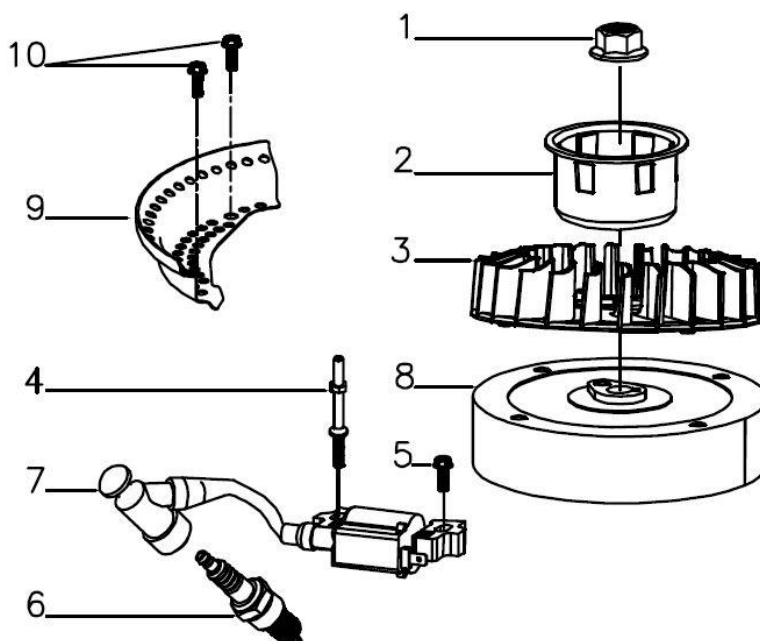
Nr.crt	Denumire produs	Product name	Cod comanda
1	surub	Screw	psrx311s-7-1
2	capac motor	Engine Cover	psrx311s-7-2



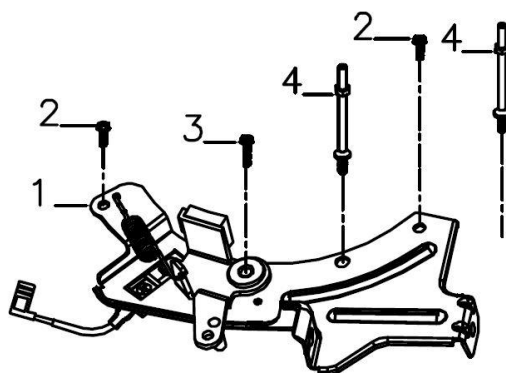
Nr.crt	Denumire produs	Product name	Cod comanda
1	piulita	Nut	psrx311s-8-1
2	ansamblu demaror	Recoil start	psrx311s-8-2



Nr.crt	Denumire produs	Product name	Cod comanda
1	carcasa volanta	Blower Housing	psrx311s-9-1



Nr.crt	Denumire produs	Product name	Cod comanda
1	piulita	Nut	psrx311s-10-1
2	cuplaj	Start-up Hub	psrx311s-10-2
3	ventilator	Fan	psrx311s-10-3
4	prezon	Bolt I	psrx311s-10-4
5	surub	Bolt	psrx311s-10-5
6	bujie	Spark plug	br4t
7	modul aprindere	Ignition	psrx311s-10-7
8	volanta	Flywheel	psrx311s-10-8
9	placa spate	Back plate	psrx311s-10-9
10	surun	Bolt	psrx311s-10-10

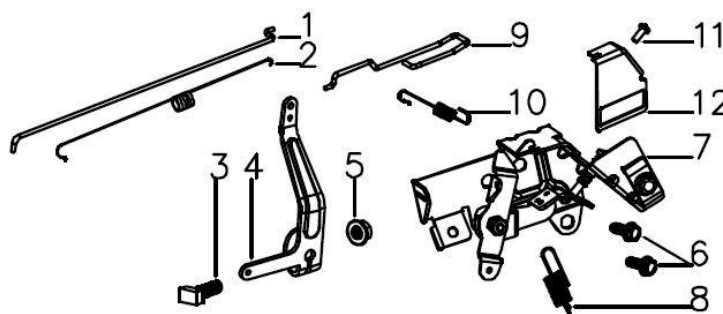


Nr.crt	Denumire produs	Product name	Cod comanda
1	ansamblu frana	Brake Assy	psrx311s-11-1

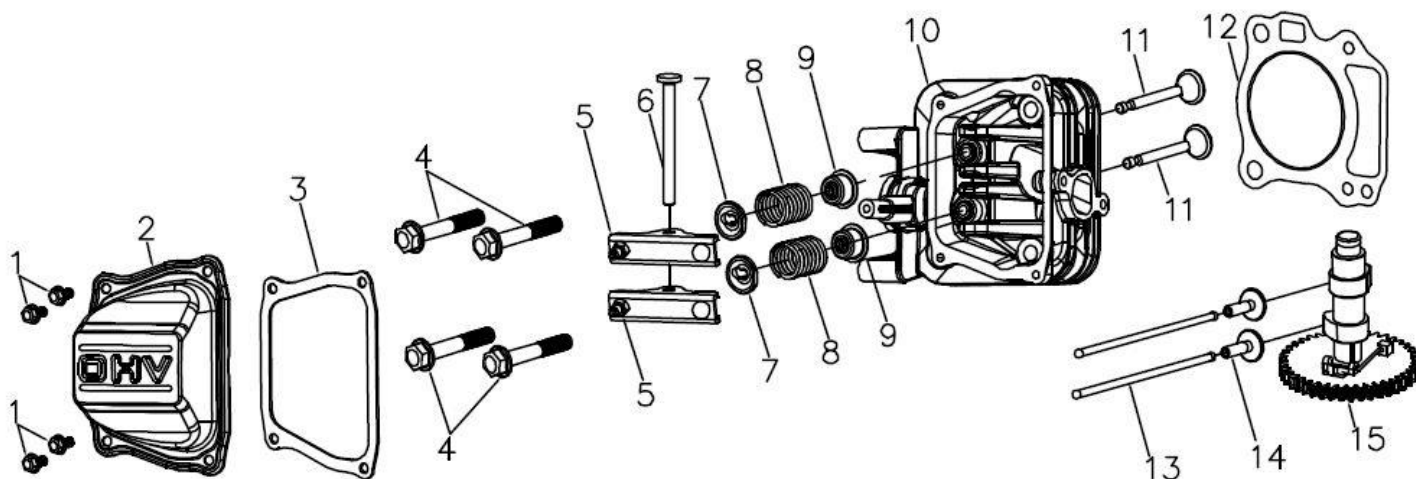
Producător motoutilaje

Documentatie tehnică

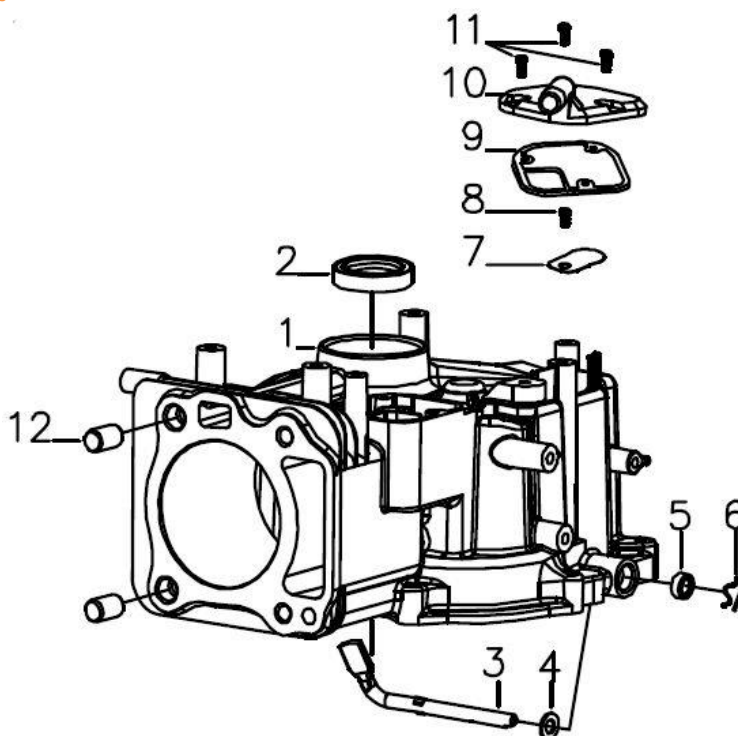
2	surub	Bolt	psrx311s-11-2
3	surub	Bolt	psrx311s-11-3
4	prezon	Bolt II	psrx311s-11-4



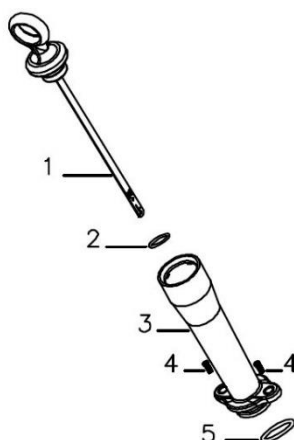
Nr.crt	Denumire produs	Product name	Cod comanda
1	parghie regulator	Handspike of Valve	psrx311s-12-1
2	arc regulator	Spring of Valve	psrx311s-12-2
3	surub	Bolt	psrx311s-12-3
4	brat regulator	Speed Regulator Rocker	psrx311s-12-4
5	piulita	Nut	psrx311s-12-5
6	surub	Bolt	psrx311s-12-6
7	regulator	Speed Regulator	psrx311s-12-7
8	arc acceleratie	Speed Regulator Spring	psrx311s-12-8
9	parghie	Handspike	psrx311s-12-9
10	arc	Speed Regulator Spring	psrx311s-12-10
11	surub	Screw	psrx311s-12-11
12	placa	Plate	psrx311s-12-12



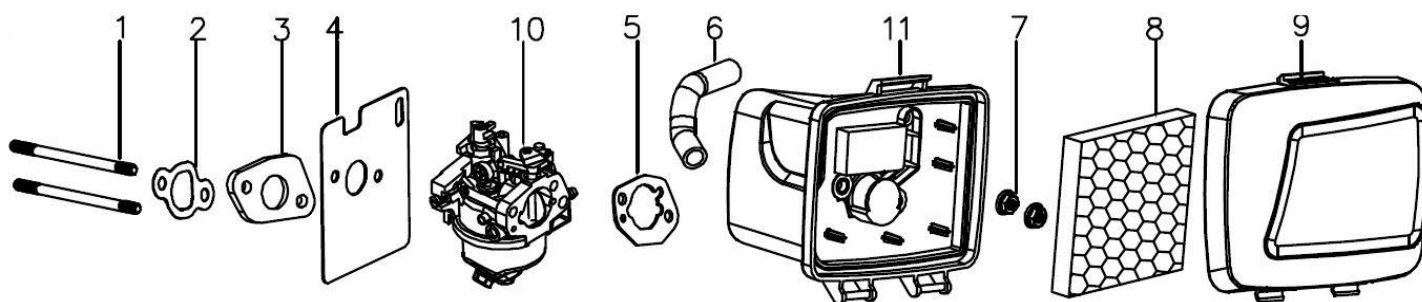
Nr.crt	Denumire produs	Product name	Cod comanda
1	surub	Bolt	psrx311s-13-1
2	capac culbutori	Cylinder Head Cover	psrx311s-13-2
3	garnitura capac culbutori	Gasket of Cylinder Head Cover	psrx311s-13-3
4	surub	Bolt	psrx311s-13-4
5	culbutori	Rocker of Valve	psrx311s-13-5
6	bolt	pin	psrx311s-13-6
7	taler supapa evacuare	Spring Coil of outlet Valve	psrx311s-13-7
8	arc supapa	Spring of Valve	psrx311s-13-8
9	simering	Oil Seal	psrx311s-13-9
10	chiuloasa	Cylinder Head Assy	psrx311s-13-10
11	supape	Valve	psrx311s-13-11
12	garnitura chiuloasa	Seal Gasket	psrx311s-13-12
13	tija	Guide Board of Handspike	psrx311s-13-13
14	tacheti	Tappet	psrx311s-13-14
15	ansamblu ax came	Camshaft Assy	psrx311s-13-15



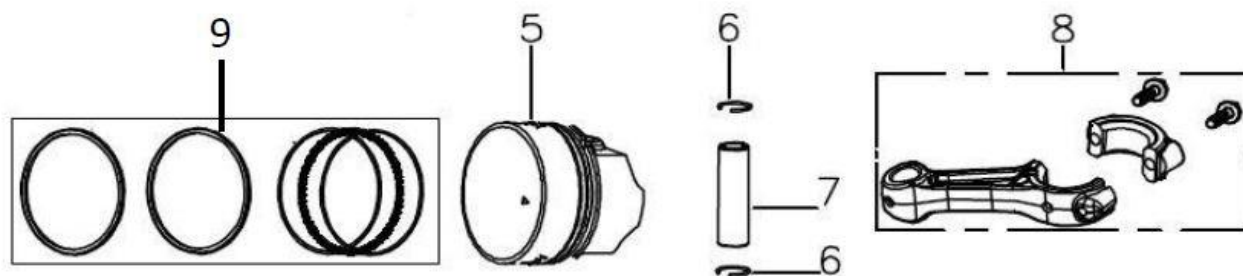
Nr.crt	Denumire produs	Product name	Cod comanda
1	bloc motor	Crankcase	psrx311s-14-1
2	simering	Oil Seal	psrx311s-14-2
3	tija regulator	Speed Regulator Rocker Spindle	psrx311s-14-3
4	saiba	Flat Washer	psrx311s-14-4
5	simering	Oil Seal	psrx311s-14-5
6	siguranta	Springness Split Pin	psrx311s-14-6
7	supapa	Valve Element	psrx311s-14-7
8	surub	Screw	psrx311s-14-8
9	garnitura	Gasket of Respirator Cover	psrx311s-14-9
10	placa	Respirator Cover Plate	psrx311s-14-10
11	surub	Screw	psrx311s-14-11
12	bucsa centrare	Locating Pin	psrx311s-14-12



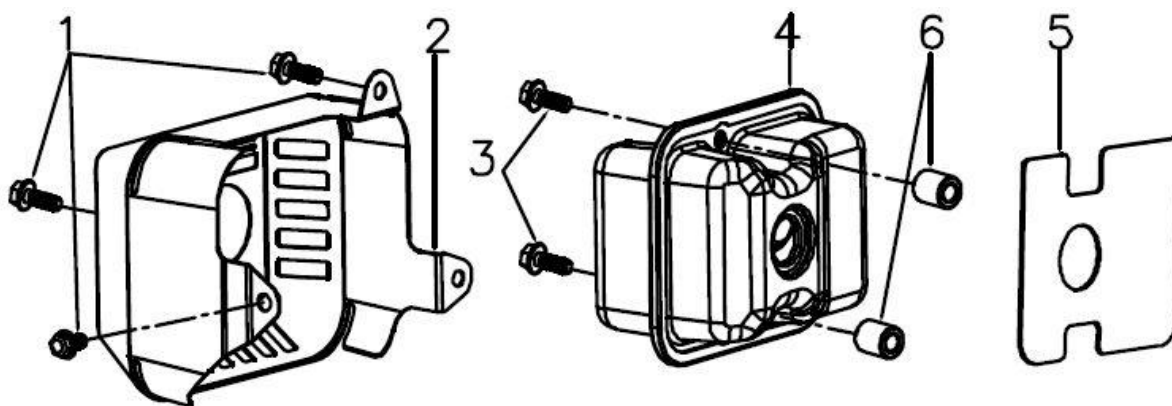
Nr.crt	Denumire produs	Product name	Cod comanda
1	joja	Lubricating Gauge	psrx311s-15-1
2	o-ring	"o" Ring	psrx311s-15-2
3	racord joja	Lubricating Pipe Assy	psrx311s-15-3
4	surub	Screw	psrx311s-15-4
5	o-ring	"O" Ring	psrx311s-15-5



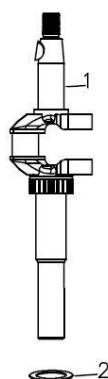
Nr.crt	Denumire produs	Product name	Cod comanda
1	prezon	Bolt	psrx311s-16-1
2	garnitura izolator	Paper Gasket of Inlet Pipe	psrx311s-16-2
3	izolator	Air Inlet Pipe	psrx311s-16-3
4	garnitura carburator	Paper Gasket of Carburetor	psrx311s-16-4
5	garnitura	Gasket	psrx311s-16-5
6	furtun epurator	Exhaust Pipe	psrx311s-16-6
7	piulita	Nut	psrx311s-16-7
8	element filtrant	Foam Filter Element	psrx311s-16-8
9	capac filtru aer	Air Filter Upper Cover	psrx311s-16-9
10	carburator	Carburetor	psrx311s-16-10
11	suport filtru aer	Air Filter	psrx311s-16-11



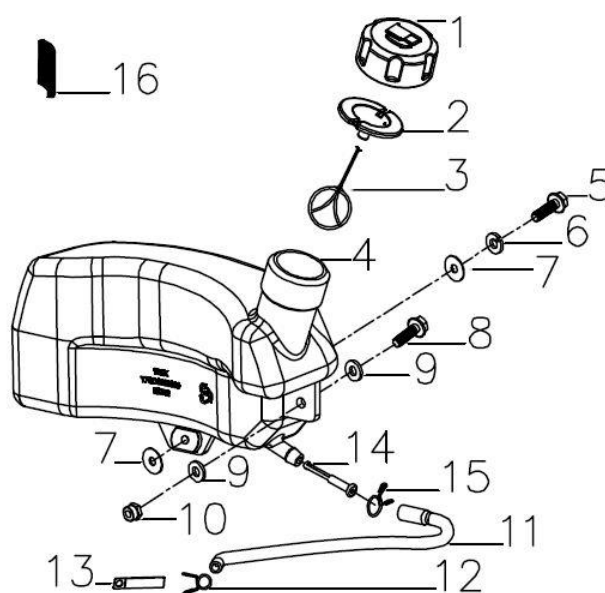
Nr.crt	Denumire produs	Product name	Cod comanda
5	piston	Piston	psrx311s-17-5
6	arc	Spring	psrx311s-17-6
7	bolt piston	Piston Pin	psrx311s-17-7
8	ansamblu biela	Connecting Rod Assy	psrx311s-17-8
9	set segmenti	piston ring	psrx311s-17-9



Nr.crt	Denumire produs	Product name	Cod comanda
1	surub	Bolt	psrx311s-18-1
2	protectie toba esapament	Muffler cover	psrx311s-18-2
3	surub	Bolt	psrx311s-18-3
4	toba esapament	Muffler Assy	psrx311s-18-4
5	garnitura toba esapament	Gasket of Muffler	psrx311s-18-5
6	bucsa	Bush	psrx311s-18-6



Nr.crt	Denumire produs	Product name	Cod comanda
1	arbore	Crankshaft	psrx311s-19-1
2	garnitura	Gasket of Gear	psrx311s-19-2

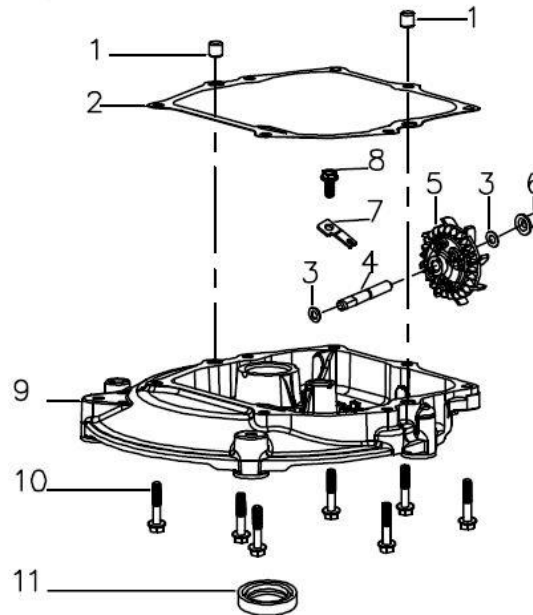


Nr.crt	Denumire produs	Product name	Cod comanda
1	buson rezervor	Fuel Tank Cap	psrx311s-20-1
2	garnitura buson	Seal Gasket of Fuel Tank Cap	psrx311s-20-2
3	fir fluture	Connecting Rope	psrx311s-20-3
4	rezervor	Fuel Tank	psrx311s-20-4
5	surub	Bolt	psrx311s-20-5
6	saiba	Spring washer	psrx311s-20-6
7	saiba	Washer	psrx311s-20-7
8	surub	Bolt	psrx311s-20-8
9	garnitura	Gasket	psrx311s-20-9
10	piulita	Nut	psrx311s-20-10

Producător motoutilaje

Documentatie tehnică

11	furtun	Oil Pipe	psrx311s-20-11
12	colier	Oil Pipe Circlip II	psrx311s-20-12
13	clema	Oil Pipe Fixing Clip	psrx311s-20-13
14	filtru combustibil	Filtering Net Duct of Fuel	psrx311s-20-14
15	colier	Oil Pipe Circlip I	psrx311s-20-15
16	sita	Lubricate Filtering Net	psrx311s-20-16



Nr.crt	Denumire produs	Product name	Cod comanda
1	bucsa centrare	Locating Pin of Crankcase	psrx311s-21-1
2	garnitura carter	Gasket of Crankcase	psrx311s-21-2
3	saiba	Washer	psrx311s-21-3
4	ax regulator	Circlip of Gear shaft	psrx311s-21-4
5	pinion regulator	Gear Shaft Assy	psrx311s-21-5
6	culisa	Sliding Sleeve	psrx311s-21-6
7	placa	Gear Shaft Hold-down Plate	psrx311s-21-7
8	surub	Bolt	psrx311s-21-8
9	capac carter	Crankcase Cover	psrx311s-21-9
10	surub	Bolt	psrx311s-21-10
11	simering	Oil Seal	psrx311s-21-11