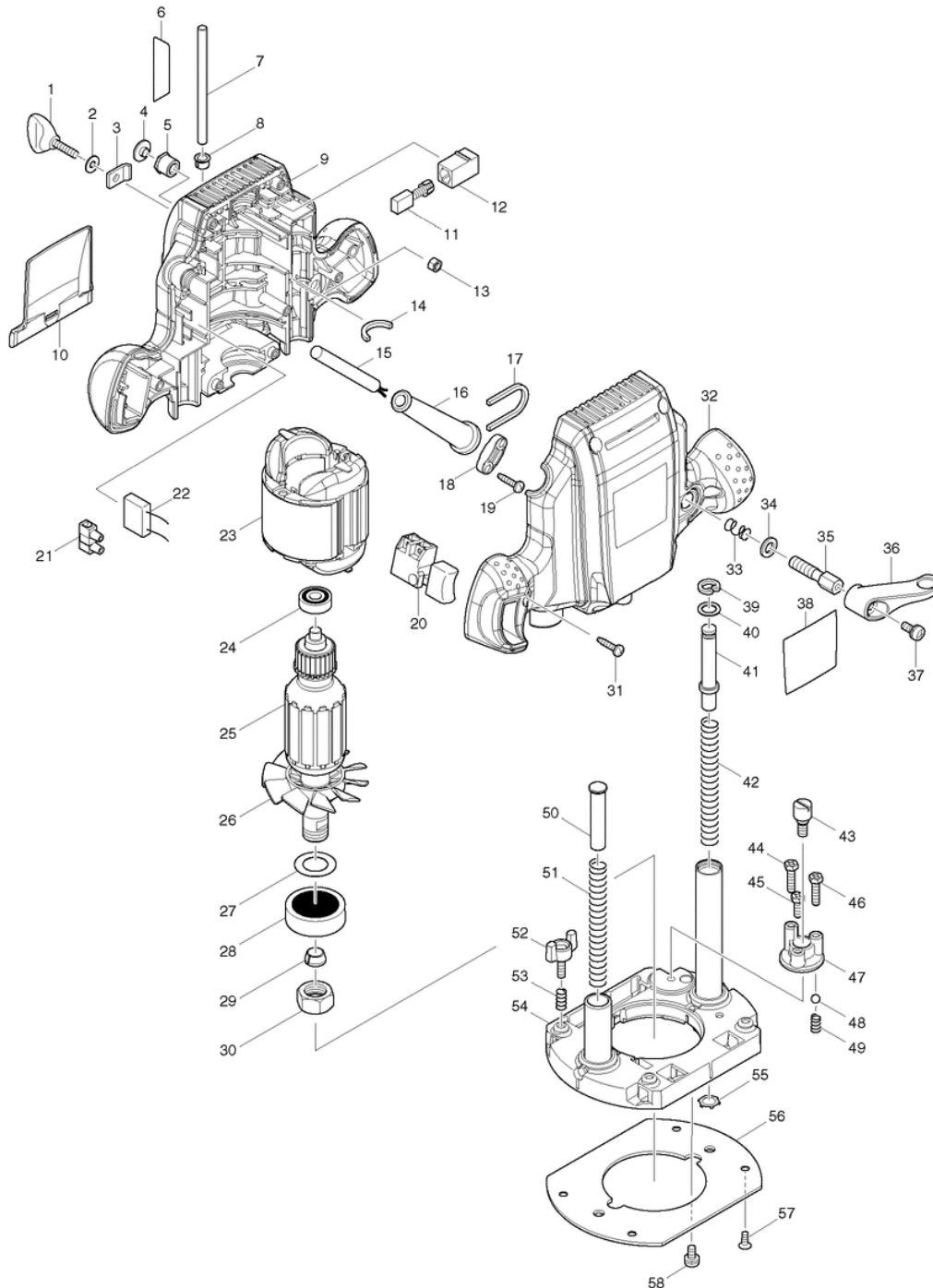




**Makita Service Information / Model: RP0900**





## Makita Werkzeug Ges.m.b.H.

Airportstr. 4, 2401 Fischamend

Tel: 02232 / 777 00

Fax: 02232 / 777 00 - 40

Mail: verkauf@makita.at

Web: www.makita.at

### Makita Service Information / Model: RP0900

POS	Bestell-Nr.	Artikelbeschreibung	Stk.	Stk.Preis
1	251878-6	SKRUTKA KRÍDLOVÁ M5x20	1	N/A
2	941101-4	PODLOZKA 5	1	N/A
3	346007-5	Pressure Plate	1	N/A
4	424156-9	KRYTKA GUMENÁ RP0900	1	N/A
5	252094-3	MATICA M8 3620	1	N/A
6	816924-8	Scale Label	1	N/A
7	321948-6	TYČ SO ZÁVITOM 3620	1	N/A
8	451035-8	Deapth Pointer	1	N/A
9	188696-8	GEHÄUSE R+L RP0900	1	N/A
9		*** INC. 13,32		N/A
10	450820-6	Chip Deflector	1	N/A
11	181410-1	UHLÍKY CB-106 (CB-104/111)1284	1	N/A
12	643601-7	DRŽIAK UHLÍKOV 6-10 F. CB-104	2	N/A
13	931202-6	Skrutka M5	1	N/A
14	443073-4	FELT	1	N/A
15	665865-3	KÁBEL N5900BITD101	1	N/A
16	682504-0	CHRANIC SNURY 10-85	1	N/A
17	443074-2	Felt	1	N/A
18	687124-5	DRŽIAK KÁBLA MT240/953T955	1	N/A
19	266326-2	SKRUTKA SAMOREZNÁ	2	N/A
20	651280-7	VYPÍNAČ SG115cdy-5 RP0900	1	N/A
21	654532-5	SVORKOVNICA 1P	1	N/A
22	645200-1	ODRUSOVACI KONDENZATOR	1	N/A
23	594594-0	Field 240V	1	N/A
24	210044-4	BALL BEARING 608DDW	1	N/A
25	513779-9	KOTVA ÚPLNÁ 220-240V RP0900	1	N/A
25		*** INC. 24,26-28		N/A
26	241835-2	KOLESO VENTILÁTORA 72 3620	1	N/A
26	240123-4	FAN 72 new 3620/RP0900	1	N/A
26.2	240123-4	FAN 72 new 3620/RP0900	1	N/A
27	267114-0	PODLOŽKA 17 8412DW/RP0910/1110	1	N/A
28	211278-2	LOŽISKO GULIČKOVÉ 6203DDW	1	N/A
29	763618-5	COLLET CONE 8MM	1	N/A
30	763615-1	COLLET NUT	1	N/A
31	266326-2	SKRUTKA SAMOREZNÁ	7	N/A
32	188696-8	GEHÄUSE R+L RP0900	1	N/A
32		*** INC. 9,13		N/A
33	233110-0	PRUŽINA PRÍTLAČNÁ 8 HR2410	1	N/A
34	941202-8	PODLOZKA 8	1	N/A
35	266460-8	KOLÍK M8 RP0900	1	N/A



## Makita Werkzeug Ges.m.b.H.

Airportstr. 4, 2401 Fischamend

Tel: 02232 / 777 00

Fax: 02232 / 777 00 - 40

Mail: verkauf@makita.at

Web: www.makita.at

### Makita Service Information / Model: RP0900

POS	Bestell-Nr.	Artikelbeschreibung	Stk.	Stk.Preis
35	266920-0	SCHRAUBE M8 RP0900	1	N/A
35.2	266920-0	SCHRAUBE M8 RP0900	1	N/A
36	450821-4	PÁČKA 47 RP0900	1	N/A
37	911213-7	SKRUTKA M5x12	1	N/A
38	866313-7	Name Plater Rp0900	1	N/A
39	962065-9	POISTNY KRUZOK R-15	1	N/A
40	267047-9	PODLOŽKA 10	1	N/A
41	415992-4	Pin 10	1	N/A
41	451524-3	Pin 10	1	N/A
41.2	451524-3	Pin 10	1	N/A
42	231416-0	COMPRESSION SPRING 10	1	N/A
43	251447-3	- FLAT HEAD SCREW M6	1	N/A
44	265587-1	+HEX. BOLT M5x20	1	N/A
45	265586-3	+HEX. BOLT M5x14	1	N/A
46	265587-1	+HEX. BOLT M5x20	1	N/A
47	135264-8	Stopper Ass'y	1	N/A
47		*** INC. 43-46		N/A
48	216022-2	GULKA OCELOVÁ 7,0	1	N/A
49	231419-4	PRUŽINA PRITLAČNÁ 5	1	N/A
50	256651-9	KOLÍK 10 3620	1	N/A
51	231417-8	COMPRESSION SPRING 10	1	N/A
52	265761-1	SKRUTKA KRIDLOVA M5X16	2	N/A
53	231240-1	PRUŽINA 7	2	N/A
54	158808-7	Base Complete	1	N/A
55	259019-8	ARETÁCIA KOTÚČA 15 3620	2	N/A
56	450819-1	DOSKA KLZNÁ RP0900	1	N/A
57	912112-6	SKRUTKA SO ZAPUS. HLAVOU M4x10	4	N/A
58	911206-4	SKRUTKA M5x10	2	N/A
1001	164834-6	STRAIGHT GUIDE	1	N/A
1002	781006-4	WRENCH 13	1	N/A
1003	781011-1	WRENCH 22	1	N/A
1004	763636-3	COLLET CONE 6MM	1	N/A
1005	194733-8	DUST NOZZLE SET	1	N/A
1005	194733-8	DUST NOZZLE SET	1	N/A
1005.2	194733-8	DUST NOZZLE SET	1	N/A
1006	821550-0	CONNECTOR PLASTIC CASE (TYPE2)	1	N/A
1006	824880-8	PLASTIC CARRYING CASE	1	N/A
1006.2	821550-0	CONNECTOR PLASTIC CASE (TYPE2)	1	N/A
1007	837646-7	INNER TRAY	1	N/A
1007	D-30209	ROUTER BIT 3PCS/SET MM	1	N/A



## Makita Werkzeug Ges.m.b.H.

Airportstr. 4, 2401 Fischamend

Tel: 02232 / 777 00

Fax: 02232 / 777 00 - 40

Mail: [verkauf@makita.at](mailto:verkauf@makita.at)

Web: [www.makita.at](http://www.makita.at)

### Makita Service Information / Model: RP0900

POS	Bestell-Nr.	Artikelbeschreibung	Stk.	Stk.Preis
1008	801F23 - 5	RP0900J INDICATION LABEL	1	N/A
1008	837646 - 7	INNER TRAY	1	N/A
1009	801F24 - 3	RP0900J PLASTIC CASE LABEL	2	N/A
1009	801F25 - 1	RP0900XJ INDICATION LABEL	1	N/A
1010	801F26 - 9	RP0900XJ PLASTIC CASE LABEL	2	N/A