



Makita Werkzeug Ges.m.b.H.

Airportstr. 4, 2401 Fischamend

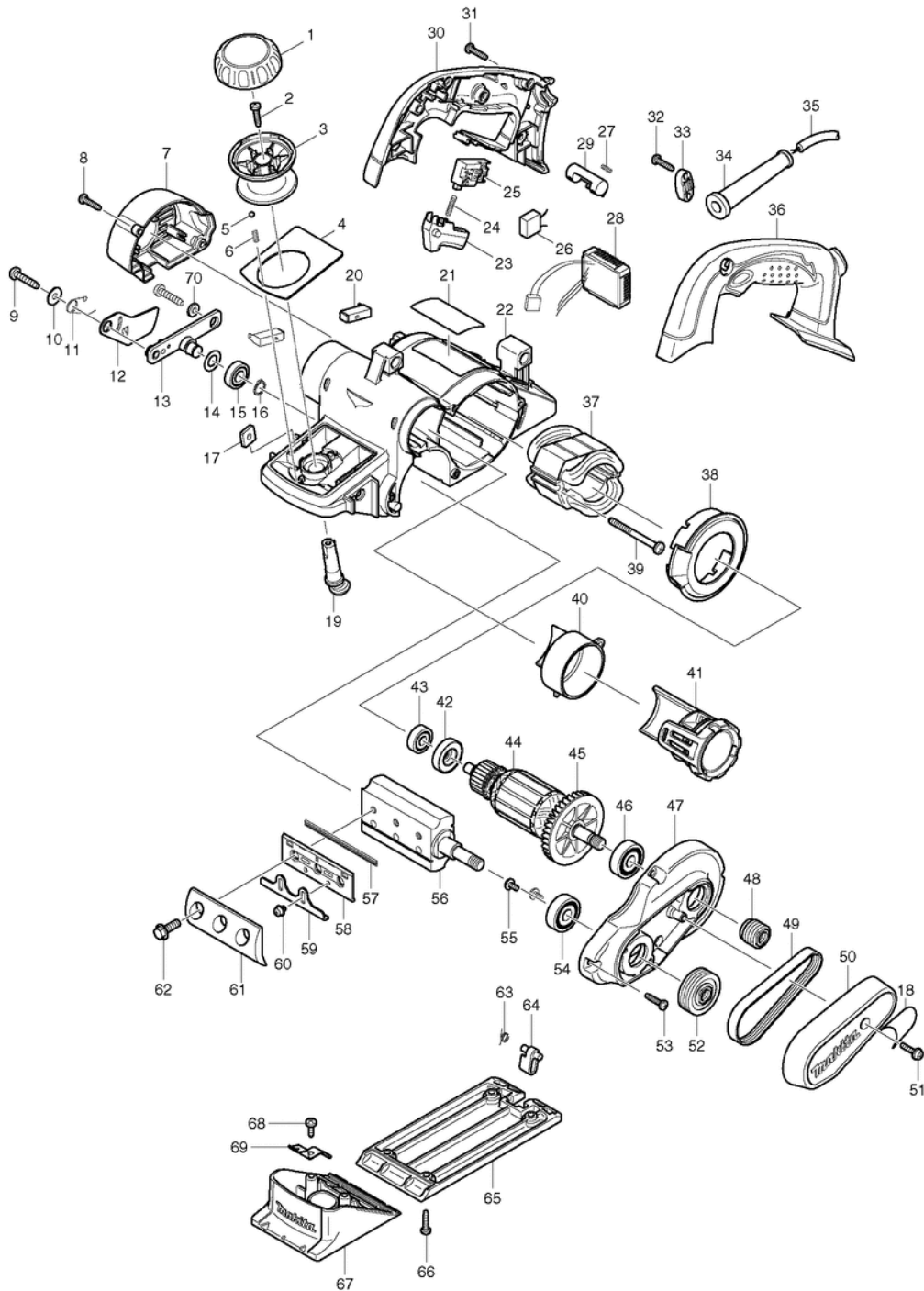
Tel: 02232 / 777 00

Fax: 02232 / 777 00 - 40

Mail: verkauf@makita.at

Web: www.makita.at

Makita Service Information / Model: KP0810C





Makita Werkzeug Ges.m.b.H.

Airportstr. 4, 2401 Fischamend

Tel: 02232 / 777 00

Fax: 02232 / 777 00 - 40

Mail: verkauf@makita.at

Web: www.makita.at

Makita Service Information / Model: KP0810C

POS	Bestell-Nr.	Artikelbeschreibung	Stk.	Stk.Preis
1	419700-5	KRYT DORAZU	1	N/A
2	265995-6	SKRUTKA SAMOREZNÁ 4x18	1	N/A
3	419699-4	DRŽIAK KP0810C	1	N/A
4	345766-8	FRONT PANEL	1	N/A
5	216008-6	GULKA OCEĽOVÁ 4	2	N/A
6	233325-9	Compression spring 3	2	N/A
7	419697-8	REAR COVER	1	N/A
8	265995-6	SKRUTKA SAMOREZNÁ 4x18	2	N/A
9	266041-8	SKRUTKA SAMOREZNÁ 5X25 HR2010	2	N/A
10	253194-2	PODLOŽKA 5	1	N/A
11	233521-9	TORSION SPRING 10	1	N/A
12	345765-0	DRUM COVER	1	N/A
13	158184-9	DRŽIAK NOŽA KP0800	1	N/A
14	253758-2	PODLOŽKA 10 253758-2	1	N/A
15	210057-5	LOŽISKO GULIČKOVÉ 6900LLB	1	N/A
16	961006-2	POISTNY KRUZOK S-10	1	N/A
17	264002-2	SQUARE NUT M5	2	N/A
18	805594-8	Electronic speed control label	1	N/A
19	419702-1	KOLÍK KP 0800	1	N/A
20	191972-1	UHLÍKY CB-132 /ES-33,38,42A/	1	N/A
21	863215-8	NAME PLATE KP0810C	1	N/A
22	419694-4	KRYT MOTORA	1	N/A
23	419703-9	Switch lever	1	N/A
24	233408-5	Compression spring 3	1	N/A
25	651922-3	VYPINAC TG71B	1	N/A
26	645105-5	ODRUSOVACI KONDENZATOR	1	N/A
26	645185-1	NOISE SUPPRESSOR new	1	N/A
26.2	645185-1	NOISE SUPPRESSOR new	1	N/A
27	231433-0	PRUŽINA PRÍTLAČNÁ 4	1	N/A
28	631737-4	Controller	1	N/A
29	419704-7	LOCK OFF BUTTON	1	N/A
29	419705-5	LOCK OFF BUTTON	1	N/A
29.2	419705-5	LOCK OFF BUTTON	1	N/A
30	188215-0	HANDLE SET	1	N/A
30		*** INC. 36		N/A
31	265995-6	SKRUTKA SAMOREZNÁ 4x18	5	N/A
32	265995-6	SKRUTKA SAMOREZNÁ 4x18	2	N/A
33	687052-4	DRŽIAK KÁBLA	1	N/A
34	682504-0	CHRANIC SNURY 10-85	1	N/A
35	665865-3	KÁBEL N5900BITD101	1	N/A



Makita Werkzeug Ges.m.b.H.

Airportstr. 4, 2401 Fischamend

Tel: 02232 / 777 00

Fax: 02232 / 777 00 - 40

Mail: verkauf@makita.at

Web: www.makita.at

Makita Service Information / Model: KP0810C

POS	Bestell-Nr.	Artikelbeschreibung	Stk.	Stk.Preis
36	188215-0	HANDLE SET	1	N/A
36		*** INC. 30		N/A
37	525753-5	STATOR 220-240V KP0810C	1	N/A
38	419701-3	BAFFLE PLATE	1	N/A
39	266095-5	SKRUTKA 5X55	2	N/A
40	419710-2	Nozzle	1	N/A
41	125353-7	Duct ass'y	1	N/A
42	681660-3	PODLOŽKA IZOLAČNÁ PV7000C/GA7010C	1	N/A
43	211031-6	LOŽISKO GULIČKOVÉ 608LLB	1	N/A
44	513688-2	KOTVA ÚPLNÁ 220-240V KP810	1	N/A
44		*** INC. 42,43,45		N/A
45	240079-1	FAN 62	1	N/A
46	211087-9	LOŽISKO GULIČKOVÉ 6200DDW	1	N/A
47	158149-1	KRYT LOŽISKA KP0810/C	1	N/A
48	222125-2	REMENICA /1923	1	N/A
49	225007-7	REMEN 4-241	1	N/A
50	158362-1	KRYT REMEŇA KP0810	1	N/A
50		*** INC. 18		N/A
51	911133-5	SKRUTKA M4x18	1	N/A
52	222126-0	REMENICA 1923B/19	1	N/A
53	265995-6	SKRUTKA SAMOREZNÁ 4x18	4	N/A
54	211087-9	LOŽISKO GULIČKOVÉ 6200DDW	1	N/A
55	251291-8	SKRUTKA M4x8 BO6030/BO4900V	2	N/A
56	158156-4	OSKA NOŽA KP0810/C	1	N/A
57	793322-2	T.C.T. MINI PLANER BLADE 82	1	N/A
58	343433-9	PLATNIČKA 1923B/	2	N/A
59	345644-2	DRŽIAK NOŽA KP0810/C/1100	2	N/A
60	251246-3	SKRUTKA M4x5 1901-1923H	4	N/A
61	345001-4	PRÍTLAČNÁ DOSKA 1100/192	1	N/A
61.2	187676-1	DRUCKPLATTE (HALBRUND) 2STK!	1	N/A
62	251609-3	SKRUTKA M6x17 1923B/SR1800	6	N/A
63	231698-4	PRUŽINA TORZNÁ 7	1	N/A
64	419706-3	KOLÍK POISTNÝ KP0810C	1	N/A
65	318098-6	Base	1	N/A
66	265995-6	SKRUTKA SAMOREZNÁ 4x18	4	N/A
67	158360-5	DOSKA ZÁKLADNÁ KP 0810	1	N/A
68	266026-4	SKRUTKA 4x12	2	N/A
69	232232-3	LEAF SPRING	2	N/A
70	267012-8	FLAT WASHER 5 new	1	N/A
1001	122785-9	GUIDE RULE ASS'Y	1	N/A



Makita Werkzeug Ges.m.b.H.

Airportstr. 4, 2401 Fischamend

Tel: 02232 / 777 00

Fax: 02232 / 777 00 - 40

Mail: verkauf@makita.at

Web: www.makita.at

Makita Service Information / Model: KP0810C

POS	Bestell-Nr.	Artikelbeschreibung	Stk.	Stk.Preis
1002	123062-2	BLADE GAUGE ASS'Y	1	N/A
1003	782209-3	SOCKET WRENCH 9	1	N/A
1004	251878-6	SKRUTKA KRÍDLOVÁ M5x20	1	N/A
1005	253807-5	PODLOŽKA 5 253807-5	1	N/A
1006	342390-8	DORAZ PARALELNÝ 1125/1923B/1923	1	N/A
1007	821551-8	CONNECTOR PLASTIC CASE (TYPE3)	1	N/A
1008	837659-8	INNER TRAY	1	N/A
1009	800X56-5	KP0810CJ INDICATION LABEL	1	N/A
1010	800X57-3	KP0810CJ PLASTIC CASE LABEL	2	N/A