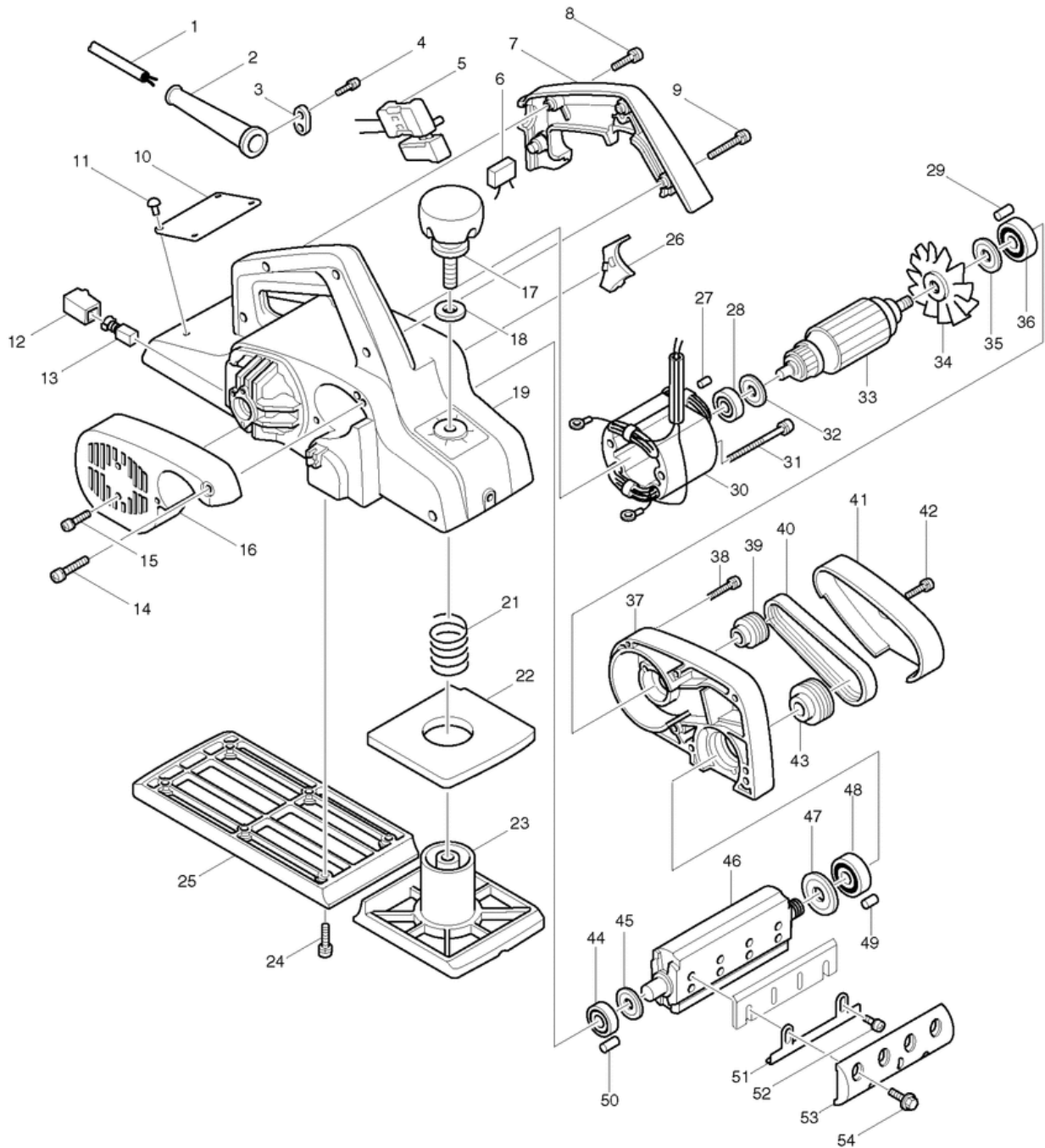




Makita Service Information / Model: 1911B





Makita Werkzeug Ges.m.b.H.

Airportstr. 4, 2401 Fischamend

Tel: 02232 / 777 00

Fax: 02232 / 777 00 - 40

Mail: verkauf@makita.at

Web: www.makita.at

Makita Service Information / Model: 1911B

POS	Bestell-Nr.	Artikelbeschreibung	Stk.	Stk.Preis
1	666071-3	POWER SUPPLY CORD 1.00-2-5.0	1	N/A
2	682502-4	CHRICANIC SNURY 8-85	1	N/A
3	687063-9	ODLAHCENIE TAHU SNURY	1	N/A
4	911133-5	SKRUTKA M4x18	2	N/A
5	651236-0	VYPINAC C2M-MIT 3620	1	N/A
5	651252-2	VYPINAC SGES125C 1911B/N1923	1	N/A
5.2	651252-2	VYPINAC SGES125C 1911B/N1923	1	N/A
6	645200-1	ODRUSOVACI KONDENZATOR	1	N/A
7	414273-3	HANDLE COVER	1	N/A
7	411423-1	KRYT RÚČKY 1911B AB 218	1	N/A
7.2	411423-1	KRYT RÚČKY 1911B AB 218	1	N/A
8	911168-6	PAN HEAD SCREW M4X40	1	N/A
8	911153-9	SKRUTKA M4x28	3	N/A
8.2	911153-9	SKRUTKA M4x28	3	N/A
9	911153-9	SKRUTKA M4x28	3	N/A
9	911168-6	PAN HEAD SCREW M4X40	1	N/A
9.2	911168-6	PAN HEAD SCREW M4X40	1	N/A
10	815099-0	NAME PLATE 1911B	1	N/A
10	853285-5	NAME PLATE 1911B new	1	N/A
10.2	853285-5	NAME PLATE 1911B new	1	N/A
11	953106-2	NIT 0-5 953106-2	4	N/A
12	643601-7	DRŽIAK UHLÍKOV 6-10 F. CB-104	2	N/A
13	181410-1	UHLÍKY CB-106 (CB-104/111)1284	1	N/A
14	911188-0	PAN HEAD SCREW M4x60	1	N/A
15	911113-1	SKRUTKA M4x10	2	N/A
16	410438-5	REAR COVER	1	N/A
17	271226-3	SKRUTKA RÚČKY 50 1100/1125/19	1	N/A
18	941251-5	PODLOŽKA 10 941251-5	1	N/A
19	159652-5	FRAME COMPLETE	1	N/A
19	159652-5	FRAME COMPLETE	1	N/A
19		*** INC. 27,50		N/A
19.2	159652-5	FRAME COMPLETE	1	N/A
21	231004-3	PRUŽINA 18 1125/1911B/1923	1	N/A
22	421147-1	GUMENE TESNENIE 1911B	1	N/A
23	312951-8	DOSKA ZÁKLADNÁ	1	N/A
24	911231-5	SKRUTKA M5x20	6	N/A
24	911226-8	SKRUTKA M5x18	6	N/A
24.2	911226-8	SKRUTKA M5x18	6	N/A
25	312952-6	DOSKA ZÁKLADNÁ 1911B	1	N/A
26	411428-1	DOSKA ODKLONU VZDUCHU 1911B	1	N/A



Makita Werkzeug Ges.m.b.H.

Airportstr. 4, 2401 Fischamend

Tel: 02232 / 777 00

Fax: 02232 / 777 00 - 40

Mail: verkauf@makita.at

Web: www.makita.at

Makita Service Information / Model: 1911B

POS	Bestell-Nr.	Artikelbeschreibung	Stk.	Stk.Preis
27	263014-2	KOLÍK GUMENÝ 4 263014-2	1	N/A
28	211031-6	LOŽISKO GULIČKOVÉ 608LLB	1	N/A
29	263002-9	KOLÍK GUMA 4	1	N/A
30	522418-0	STATOR 220 V 1911B	1	N/A
30	599024-6	STATOR 1911B neu	1	N/A
30.2	599024-6	STATOR 1911B neu	1	N/A
31	911290-9	SKRUTKA M5x65	2	N/A
31	911295-9	SKRUTKA M5x70 novA	2	N/A
31.2	911295-9	SKRUTKA M5x70 novA	2	N/A
32	681613-2	IZOLACNA PODLOZKA 681613-2	1	N/A
33	516083-5	KOTVA UPLNA 220 V 1911B	1	N/A
33		*** INC. 28,32,34,35,36		N/A
34	241519-2	FAN 68	1	N/A
35	213051-6	O-KRÚŽOK 10	1	N/A
36	211066-7	LOŽISKO GULIČKOVÉ 6200LLB	1	N/A
37	152362-3	KRYT	1	N/A
37		*** INC. 29,49		N/A
38	911158-9	SKRUTKA M4x30	6	N/A
39	222050-7	REMENICA 1125/1911B	1	N/A
40	225069-5	REMEŇ 4-272 1125/1911B 1330	1	N/A
41	411426-5	KRYT NA REMEN	1	N/A
42	911123-8	SKRUTKA M4x14	1	N/A
43	222063-8	REMENICA 4-38 191	1	N/A
44	211062-5	LOŽISKO GULIČKOVÉ 6000ZZ	1	N/A
45	341389-0	PODLOŽKA 10 1911B	1	N/A
46	161078-9	DRUM	1	N/A
46	161119-1	HRIADEL NOZA 1911B(AB NR.16299	1	N/A
46.2	161119-1	HRIADEL NOZA 1911B(AB NR.16299	1	N/A
47	341377-7	PODLOŽKA 12 1805B/1806B/1911B	1	N/A
48	211107-9	LOŽISKO GULIČKOVÉ 6201ZZ 9524NB	1	N/A
49	263005-3	KOLÍK GUMA 6 2414	1	N/A
50	263002-9	KOLÍK GUMA 4	1	N/A
51	345157-3	DRŽIAK NOŽA 1911B	2	N/A
51	341601-8	UHOLNIK NA NASTAVOVANIE NOZOV	2	N/A
51.2	341601-8	UHOLNIK NA NASTAVOVANIE NOZOV	2	N/A
52	911106-8	SKRUTKA M4x8 911106-8	4	N/A
52	251246-3	SKRUTKA M4x5 1901-1923H	4	N/A
52.2	251246-3	SKRUTKA M4x5 1901-1923H	4	N/A
53	345156-5	DRUM PLATE (1911B) 1PCS!	1	N/A
53	187674-5	DRUCKPLATTE(HALBR) 2STK! 1911B	1	N/A



Makita Werkzeug Ges.m.b.H.

Airportstr. 4, 2401 Fischamend

Tel: 02232 / 777 00

Fax: 02232 / 777 00 - 40

Mail: verkauf@makita.at

Web: www.makita.at

Makita Service Information / Model: 1911B

POS	Bestell-Nr.	Artikelbeschreibung	Stk.	Stk.Preis
53.2	344442-1	DORAZOVA DOSKA	1	N/A
53.3	187674-5	DRUCKPLATTE(HALBR) 2STK! 1911B	1	N/A
54	251609-3	SKRUTKA M6x17 1923B/SR1800	8	N/A
55	232065-6	PLATNIČKA 1911B	2	N/A
56	321346-4	PIN	2	N/A
57	961017-7	BLOKOVACI KRIZOK E-3	1	N/A
58	321347-2	STOPPER PIN	1	N/A
59	231303-3	COMPRESSION SPRING 5	1	N/A
60	256714-1	PIN 2	1	N/A
61	252415-9	NUT N4-12	1	N/A
62	410329-0	SUB CHIP COVER	1	N/A
63	911153-9	SKRUTKA M4x28	1	N/A
66	267012-8	FLAT WASHER 5 new	2	N/A
400	123055-9	SHARPENING HOLDER ASS'Y	1	N/A
404	155270-7	CUTTER LEVELLER	1	N/A
404	123062-2	BLADE GAUGE ASS'Y	1	N/A
404.2	123062-2	BLADE GAUGE ASS'Y	1	N/A
405	782209-3	SOCKET WRENCH 9	1	N/A
406	793008-8	PLANER BLADE 110	1	N/A
407	192082-7	NOZZLE FOR VACUUM CLEANER	1	N/A
408	821551-8	CONNECTOR PLASTIC CASE (TYPE3)	1	N/A
409	837878-6	INNER TRAY	1	N/A
410	803F07-9	1911BJ INDICATION LABEL	1	N/A
411	803F08-7	1911BJ PLASTIC CASE LABEL	2	N/A
901	191455-1	GUIDE RULE SET	1	N/A
901	165259-7	GUIDE RULE	1	N/A
901.2	165259-7	GUIDE RULE	1	N/A
902	251812-6	SKRUTKA NADSTAVOVACIA M5x10	1	N/A
914	819063-3	MAKITA LABEL	1	N/A