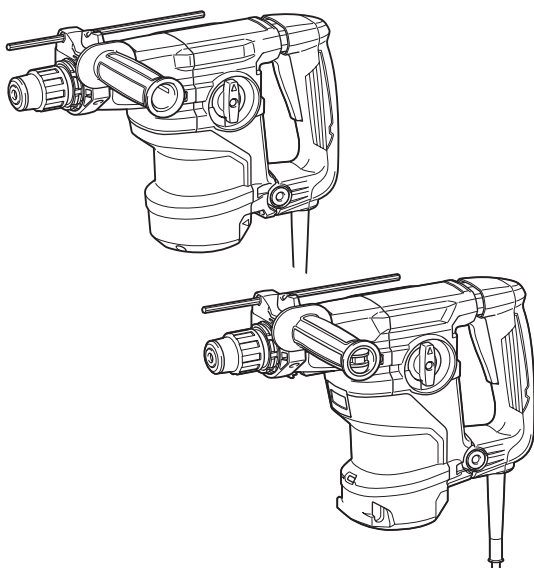
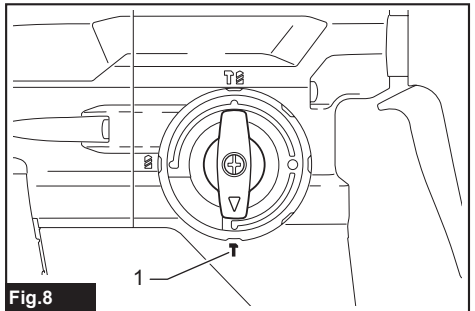
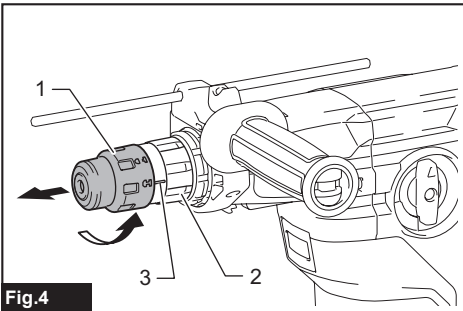
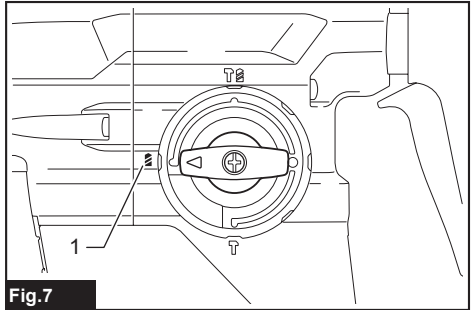
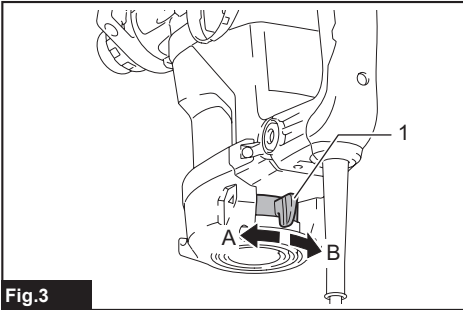
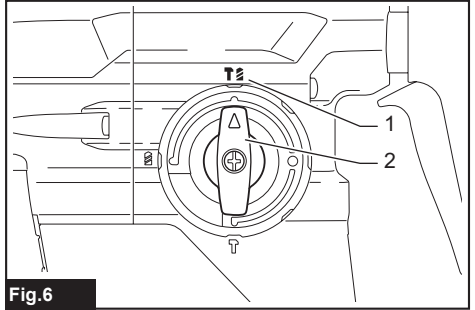
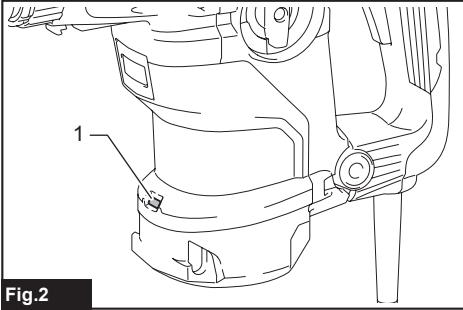
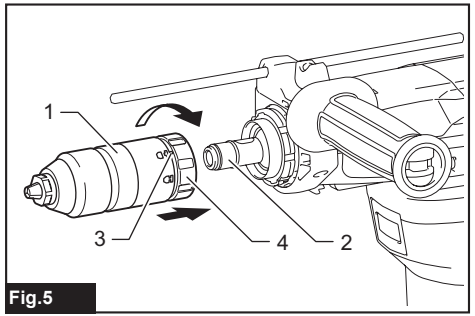
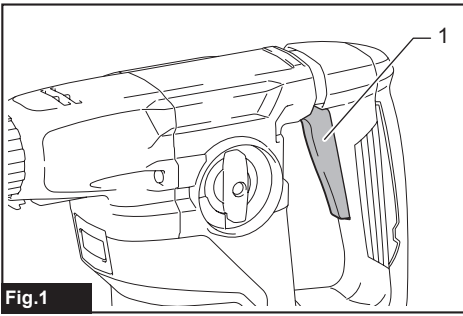




| | | | |
|-----------|-----------------------------------|---------------------------|----|
| EN | Combination Hammer | INSTRUCTION MANUAL | 9 |
| PL | Młotowiertarka z Opcją Kucia | INSTRUKCJA OBSŁUGI | 17 |
| HU | Fúrókalapács | HASZNÁLATI KÉZIKÖNYV | 26 |
| SK | Kombinované kladivo | NÁVOD NA OBSLUHU | 35 |
| CS | Kombinované kladivo | NÁVOD K OBSLUZE | 44 |
| UK | Перфоратор | ІНСТРУКЦІЯ З ЕКСПЛУАТАЦІЇ | 53 |
| RO | Ansamblu percutor multifuncțional | MANUAL DE INSTRUCȚIUNI | 63 |
| DE | Kombi-Hammer | BETRIEBSANLEITUNG | 72 |

HR3011FC
HR3012FC
HR3001C





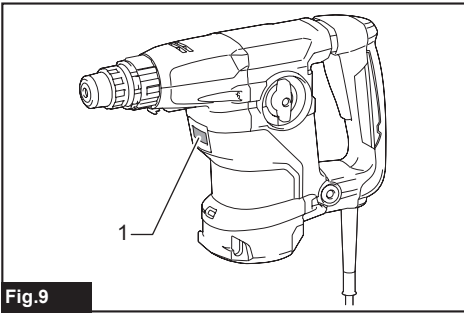


Fig.9

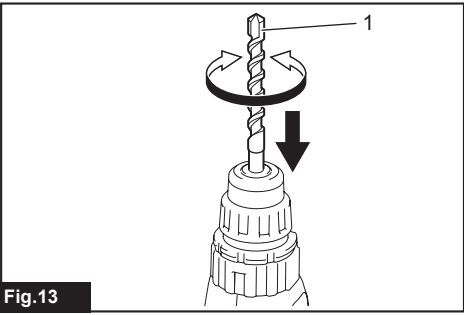


Fig.13

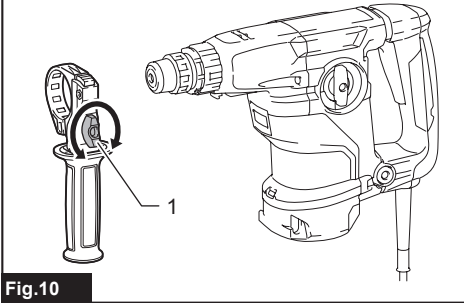


Fig.10

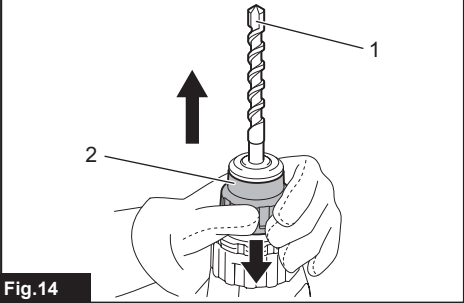


Fig.14

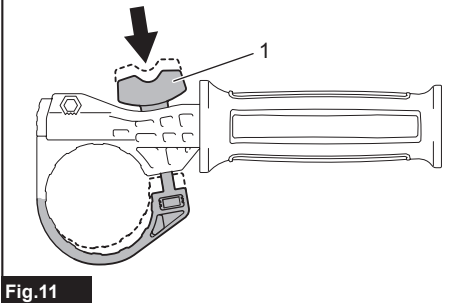


Fig.11

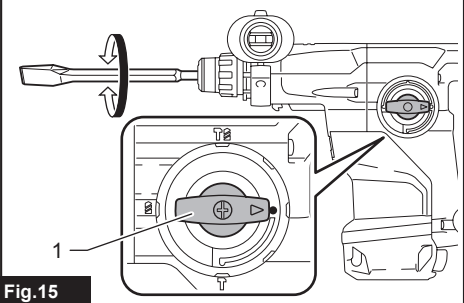


Fig.15

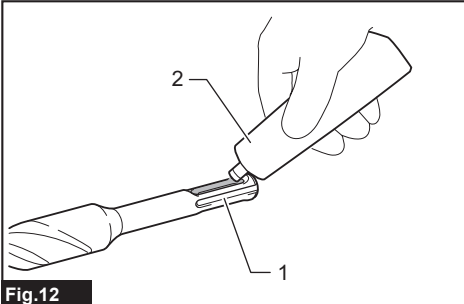


Fig.12

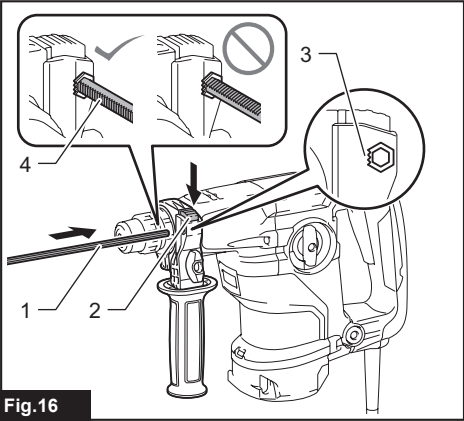


Fig.16

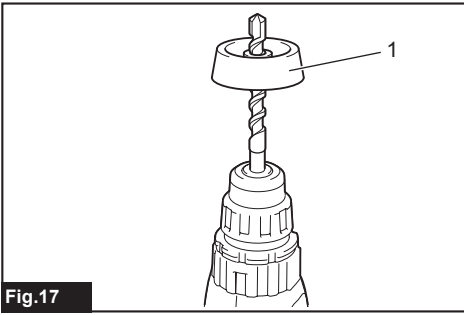


Fig.17

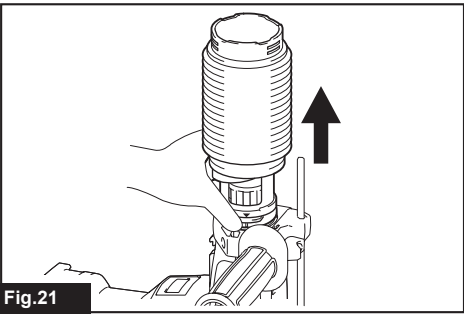


Fig.21

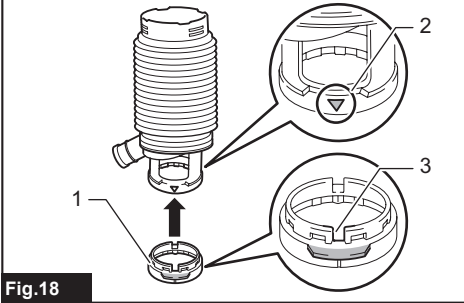


Fig.18

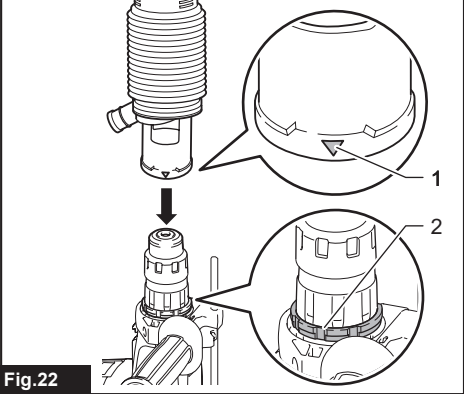


Fig.22

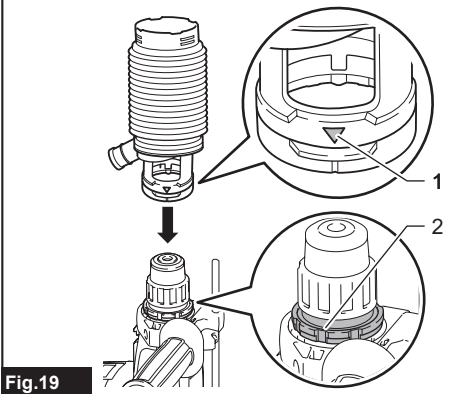


Fig.19

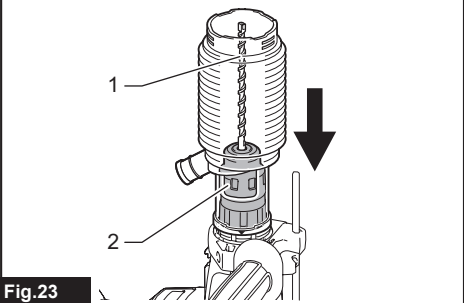


Fig.23

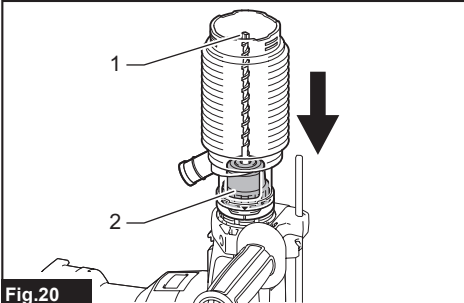


Fig.20

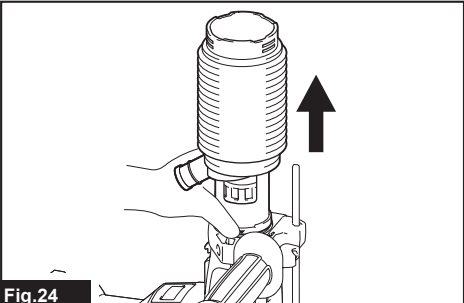


Fig.24

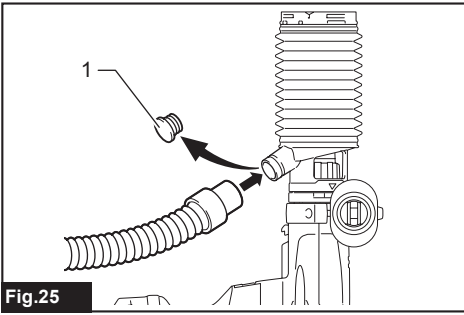


Fig.25

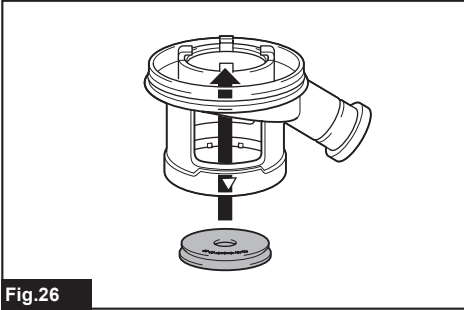


Fig.26

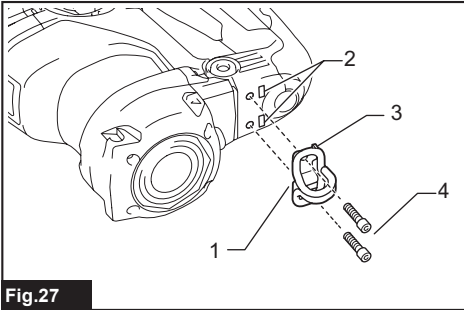


Fig.27

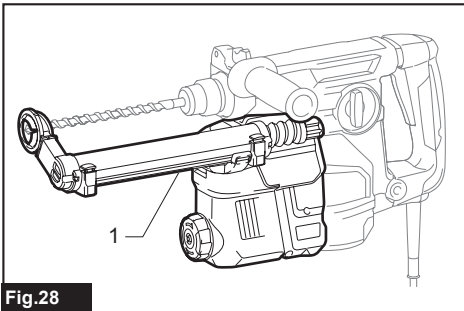


Fig.28

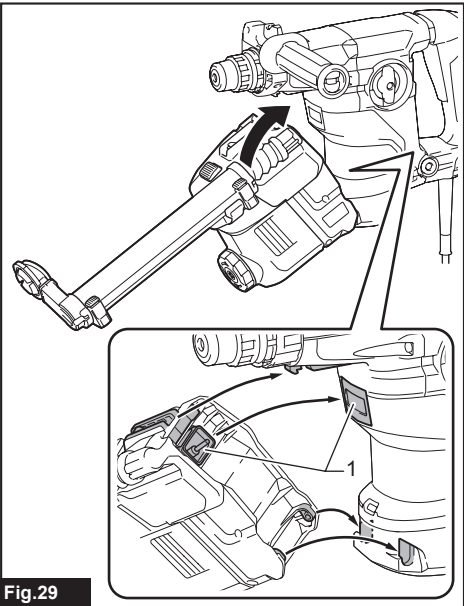


Fig.29

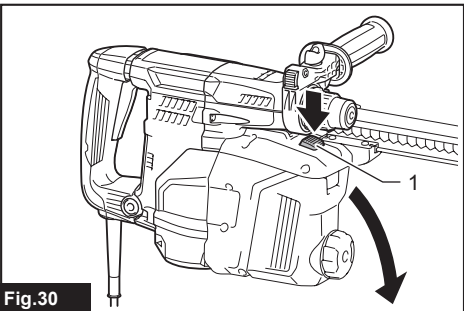


Fig.30

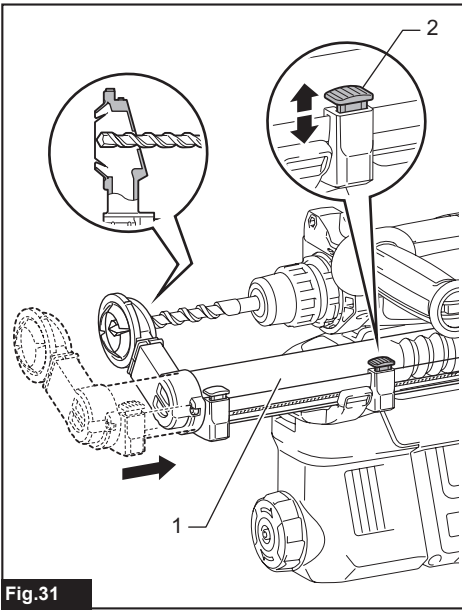


Fig.31

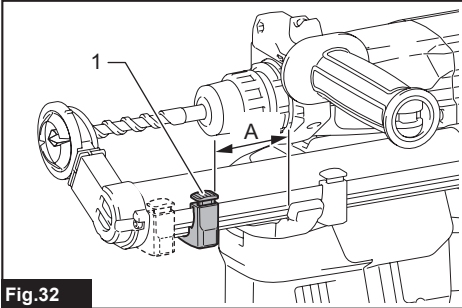


Fig.32

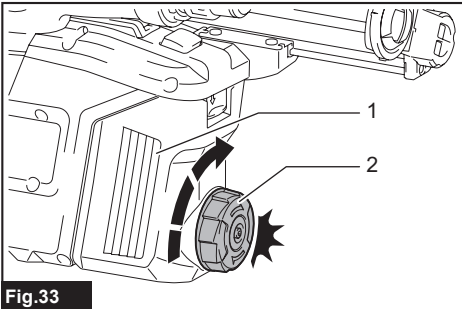


Fig.33

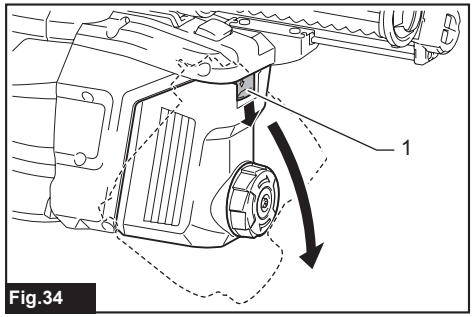


Fig.34

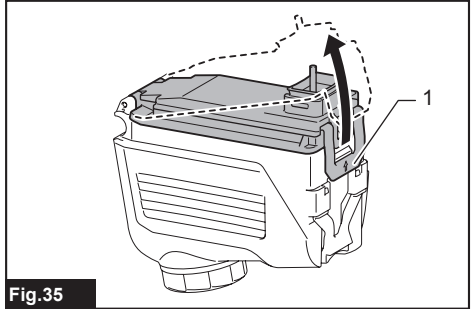


Fig.35

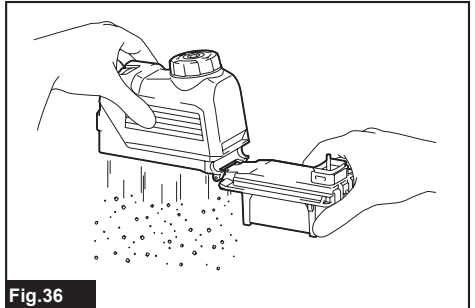


Fig.36

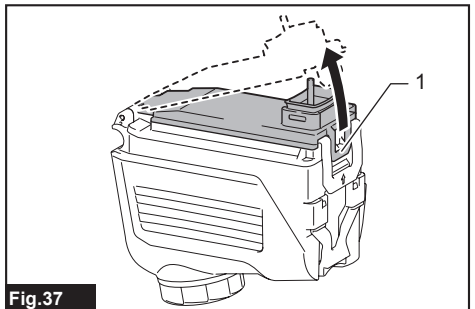


Fig.37

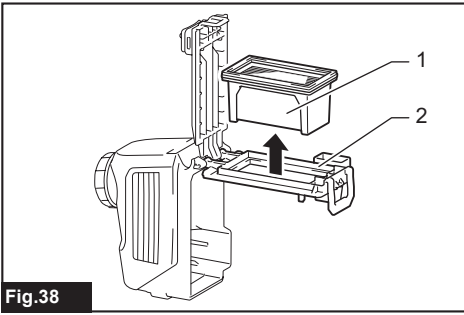


Fig.38

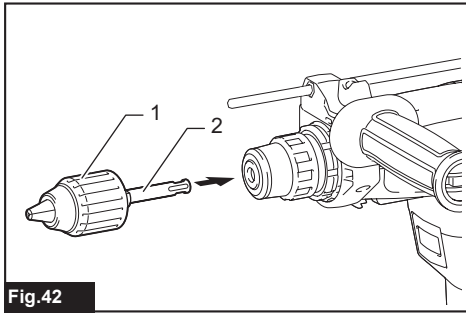


Fig.42

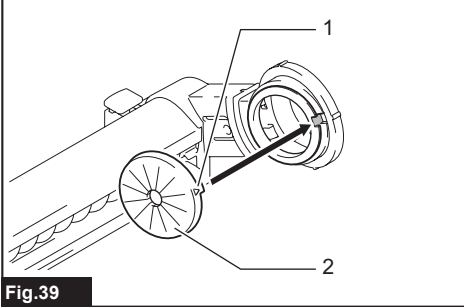


Fig.39

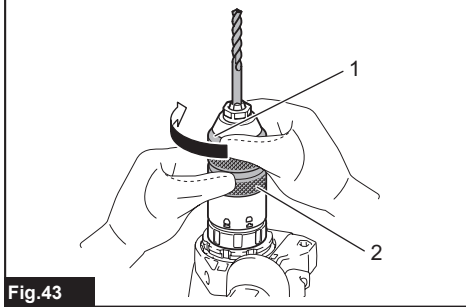


Fig.43

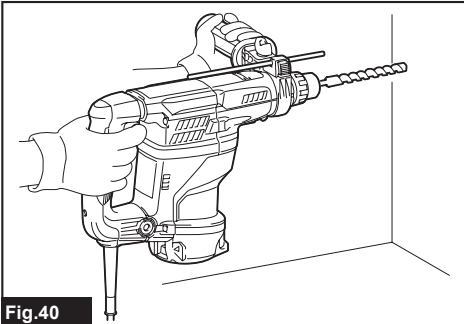


Fig.40

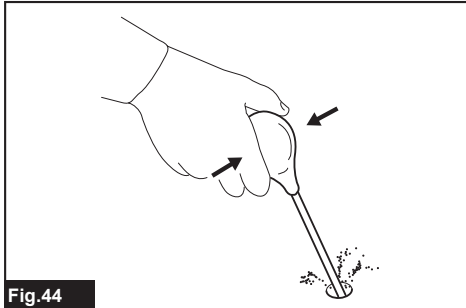


Fig.44

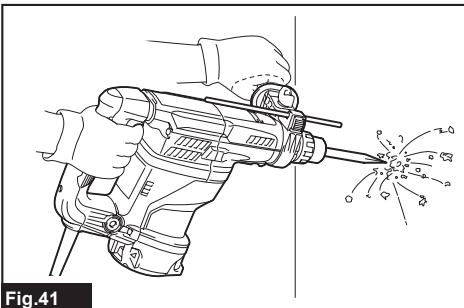


Fig.41

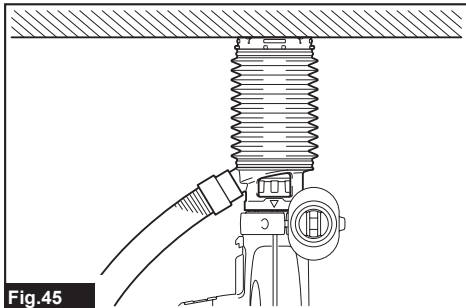


Fig.45

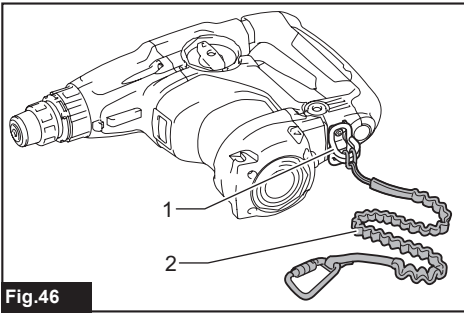


Fig.46

SPECIFICATIONS

| Model: | | HR3011FC | HR3012FC | HR3001C |
|------------------|-----------------------------|-----------------------------|--------------|--------------|
| Capacities | Concrete | 30 mm | | |
| | Core bit | 80 mm | | |
| | Diamond core bit (dry type) | 80 mm | | |
| | Steel | 13 mm | | |
| | Wood | 32 mm | | |
| No load speed | | 0 - 840 min ⁻¹ | | |
| Blows per minute | | 0 - 4,500 min ⁻¹ | | |
| Overall length | | 369 mm | 386 mm | 369 mm |
| Net weight | | 4.4 - 4.8 kg | 4.5 - 4.7 kg | 4.1 - 4.5 kg |
| Safety class | | ☐/II | | |

Optional accessory

| Model: | DX10 (For HR3011FC) | DX11 (For HR3012FC) |
|-----------------------------------|---|---------------------|
| Applicable workpiece and workmode | for concrete drilling only (not for metal or wood, and not for core drilling or chiseling) | |
| Suction performance | 0.35 l/min | |
| Operating stroke | Up to 190 mm | |
| Suitable drill bit | Up to 265 mm | |
| Net weight | 1.2 kg | |

- Due to our continuing program of research and development, the specifications herein are subject to change without notice.
- Specifications may differ from country to country.
- The weight may differ depending on the attachment(s). The lightest and heaviest combination, according to EPTA-Procedure 01/2014, are shown in the table.

Intended use

The tool is intended for hammer drilling and drilling in brick, concrete and stone as well as for chiselling work. It is also suitable for drilling without impact in wood, metal, ceramic and plastic.

Power supply

The tool should be connected only to a power supply of the same voltage as indicated on the nameplate, and can only be operated on single-phase AC supply. They are double-insulated and can, therefore, also be used from sockets without earth wire.

Noise

The typical A-weighted noise level determined according to EN60745-2-6:

Model HR3011FC

Sound pressure level (L_{pA}) : 94 dB(A)
 Sound power level (L_{WA}) : 105 dB (A)
 Uncertainty (K) : 3 dB(A)

Model HR3012FC

Sound pressure level (L_{pA}) : 93 dB(A)
 Sound power level (L_{WA}) : 104 dB (A)
 Uncertainty (K) : 3 dB(A)

Model HR3001C

Sound pressure level (L_{pA}) : 94 dB(A)
 Sound power level (L_{WA}) : 105 dB (A)
 Uncertainty (K) : 3 dB(A)

Model HR3011FC with DX10

Sound pressure level (L_{pA}) : 96 dB(A)
 Sound power level (L_{WA}) : 107 dB (A)
 Uncertainty (K) : 3 dB(A)

Model HR3012FC with DX11

Sound pressure level (L_{pA}) : 94 dB(A)
 Sound power level (L_{WA}) : 105 dB (A)
 Uncertainty (K) : 3 dB(A)

NOTE: The declared noise emission value(s) has been measured in accordance with a standard test method and may be used for comparing one tool with another.

NOTE: The declared noise emission value(s) may also be used in a preliminary assessment of exposure.

⚠ WARNING: Wear ear protection.

⚠ WARNING: The noise emission during actual use of the power tool can differ from the declared value(s) depending on the ways in which the tool is used especially what kind of workpiece is processed.

⚠ WARNING: Be sure to identify safety measures to protect the operator that are based on an estimation of exposure in the actual conditions of use (taking account of all parts of the operating cycle such as the times when the tool is switched off and when it is running idle in addition to the trigger time).

Vibration

The following table shows the vibration total value (tri-axial vector sum) determined according to applicable standard.

Model HR3011FC

| Work mode | Vibration emission | Uncertainty (K) | Applicable standard |
|---|----------------------|----------------------|---------------------|
| Hammer drilling into concrete ($a_{h, HD}$) | 9.5 m/s ² | 1.5 m/s ² | EN60745-2-6 |
| Hammer drilling into concrete with DX10 ($a_{h, HD}$) | 9.5 m/s ² | 1.5 m/s ² | EN60745-2-6 |
| Chiselling function with side grip ($a_{h, Chseq}$) | 6.0 m/s ² | 1.5 m/s ² | EN60745-2-6 |
| Drilling into metal ($a_{h, D}$) | 5.5 m/s ² | 1.5 m/s ² | EN62841-2-1 |

Model HR3012FC

| Work mode | Vibration emission | Uncertainty (K) | Applicable standard |
|---|----------------------|----------------------|---------------------|
| Hammer drilling into concrete ($a_{h, HD}$) | 9.5 m/s ² | 1.5 m/s ² | EN60745-2-6 |
| Hammer drilling into concrete with DX11 ($a_{h, HD}$) | 8.0 m/s ² | 1.5 m/s ² | EN60745-2-6 |
| Chiselling function with side grip ($a_{h, Chseq}$) | 5.5 m/s ² | 1.5 m/s ² | EN60745-2-6 |
| Drilling into metal ($a_{h, D}$) | 6.0 m/s ² | 1.5 m/s ² | EN62841-2-1 |

Model HR3001C

| Work mode | Vibration emission | Uncertainty (K) | Applicable standard |
|---|-----------------------|----------------------|---------------------|
| Hammer drilling into concrete ($a_{h, HD}$) | 13.5 m/s ² | 1.5 m/s ² | EN60745-2-6 |
| Chiselling function with side grip ($a_{h, Chseq}$) | 11.0 m/s ² | 1.5 m/s ² | EN60745-2-6 |
| Drilling into metal ($a_{h, D}$) | 6.0 m/s ² | 1.5 m/s ² | EN62841-2-1 |

NOTE: The declared vibration total value(s) has been measured in accordance with a standard test method and may be used for comparing one tool with another.

NOTE: The declared vibration total value(s) may also be used in a preliminary assessment of exposure.

⚠ WARNING: The vibration emission during actual use of the power tool can differ from the declared value(s) depending on the ways in which the tool is used especially what kind of workpiece is processed.

⚠ WARNING: Be sure to identify safety measures to protect the operator that are based on an estimation of exposure in the actual conditions of use (taking account of all parts of the operating cycle such as the times when the tool is switched off and when it is running idle in addition to the trigger time).

EC Declaration of Conformity

For European countries only

The EC declaration of conformity is included as Annex A to this instruction manual.

SAFETY WARNINGS

General power tool safety warnings

⚠ WARNING: Read all safety warnings, instructions, illustrations and specifications provided with this power tool. Failure to follow all instructions listed below may result in electric shock, fire and/or serious injury.

Save all warnings and instructions for future reference.

The term "power tool" in the warnings refers to your mains-operated (corded) power tool or battery-operated (cordless) power tool.

ROTARY HAMMER SAFETY WARNINGS

- Wear ear protectors.** Exposure to noise can cause hearing loss.
- Use auxiliary handle(s), if supplied with the tool.** Loss of control can cause personal injury.
- Hold power tool by insulated gripping surfaces, when performing an operation where the cutting accessory may contact hidden wiring or its own cord.** Cutting accessory contacting a "live" wire may make exposed metal parts of the power tool "live" and could give the operator an electric shock.
- Wear a hard hat (safety helmet), safety glasses and/or face shield.** Ordinary eye or sun glasses are NOT safety glasses. It is also highly recommended that you wear a dust mask and thickly padded gloves.
- Be sure the bit is secured in place before operation.**
- Under normal operation, the tool is designed to produce vibration. The screws can come loose easily, causing a breakdown or accident. Check tightness of screws carefully before operation.**

7. In cold weather or when the tool has not been used for a long time, let the tool warm up for a while by operating it under no load. This will loosen up the lubrication. Without proper warm-up, hammering operation is difficult.
8. Always be sure you have a firm footing. Be sure no one is below when using the tool in high locations.
9. Hold the tool firmly with both hands.
10. Keep hands away from moving parts.
11. Do not leave the tool running. Operate the tool only when hand-held.
12. Do not point the tool at any one in the area when operating. The bit could fly out and injure someone seriously.
13. Do not touch the bit, parts close to the bit, or workpiece immediately after operation; they may be extremely hot and could burn your skin.
14. Some material contains chemicals which may be toxic. Take caution to prevent dust inhalation and skin contact. Follow material supplier safety data.
15. Do not touch the power plug with wet hands.

SAVE THESE INSTRUCTIONS.

⚠ WARNING: DO NOT let comfort or familiarity with product (gained from repeated use) replace strict adherence to safety rules for the subject product. MISUSE or failure to follow the safety rules stated in this instruction manual may cause serious personal injury.

FUNCTIONAL DESCRIPTION

⚠ CAUTION: Always be sure that the tool is switched off and unplugged before adjusting or checking function on the tool.

Switch action

⚠ CAUTION: Before plugging in the tool, always check to see that the switch trigger actuates properly and returns to the "OFF" position when released.

To start the tool, simply pull the switch trigger. Tool speed is increased by increasing pressure on the switch trigger. Release the switch trigger to stop.

► Fig.1: 1. Switch trigger

Lighting up the front lamp

For HR3011FC, HR3012FC only

⚠ CAUTION: Do not look in the light or see the source of light directly.

To turn on the lamp, pull the switch trigger. Release the switch trigger to turn it off.

► Fig.2: 1. Lamp

NOTE: Use a dry cloth to wipe the dirt off the lens of the lamp. Be careful not to scratch the lens of lamp, or it may lower the illumination.

Reversing switch action

⚠ CAUTION: Always check the direction of rotation before operation.

⚠ CAUTION: Use the reversing switch only after the tool comes to a complete stop. Changing the direction of rotation before the tool stops may damage the tool.

NOTICE: When changing the direction of rotation, be sure to fully set the reversing switch to A side or B side. Otherwise, when the switch trigger is pulled, the motor may not rotate or the tool may not work properly.

This tool has a reversing switch to change the direction of rotation. Move the reversing switch lever to the position A side for clockwise rotation or to the position B side for counterclockwise rotation.

► Fig.3: 1. Reversing switch lever



Changing the quick change chuck for SDS-plus

For HR3012FC only

The quick change chuck for SDS-plus can be easily exchanged for the quick change drill chuck.




Removing the quick change chuck for SDS-plus

⚠ CAUTION: Before removing the quick change chuck for SDS-plus, be sure to remove the bit.

Grasp the change cover of the quick change chuck for SDS-plus and turn in the direction of the arrow until the change cover line moves from the  symbol to the  symbol. Pull forcefully in the direction of the arrow.

► Fig.4: 1. Quick change chuck for SDS-plus
2. Change cover 3. Change cover line

Installing the quick change drill chuck

Check the line of the quick change drill chuck shows the  symbol. Grasp the change cover of the quick change drill chuck and set the line to the  symbol. Place the quick change drill chuck on the spindle of the tool. Grasp the change cover of the quick change drill chuck and turn the change cover line to the  symbol until a click can clearly be heard.


► Fig.5: 1. Quick change drill chuck 2. Spindle
3. Change cover line 4. Change cover

Selecting the action mode

NOTICE: Do not rotate the action mode changing knob when the tool is running. The tool will be damaged.


NOTICE: To avoid rapid wear on the mode change mechanism, be sure that the action mode changing knob is always positively located in one of the three action mode positions.

Rotation with hammering

For drilling in concrete, masonry, etc., rotate the action mode changing knob to the  symbol. Use a tungsten-carbide tipped bit (optional accessory).


► **Fig.6:** 1. Rotation with hammering 2. Action mode changing knob

Rotation only

For drilling in wood, metal or plastic materials, rotate the action mode changing knob to the  symbol. Use a twist drill bit or wood drill bit.

► **Fig.7:** 1. Rotation only

Hammering only

For chipping, scaling or demolition operations, rotate the action mode changing knob to the  symbol. Use a bull point, cold chisel, scaling chisel, etc.

► **Fig.8:** 1. Hammering only

Torque limiter

NOTICE: As soon as the torque limiter actuates, switch off the tool immediately. This will help prevent premature wear of the tool.

NOTICE: Drill bits such as hole saw, which tend to pinch or catch easily in the hole, are not appropriate for this tool. This is because they will cause the torque limiter to actuate too frequently.

The torque limiter will actuate when a certain torque level is reached. The motor will disengage from the output shaft. When this happens, the drill bit will stop turning.

Electronic function

The tool is equipped with the electronic functions for easy operation.

- Constant speed control
The speed control function provides the constant rotation speed regardless of load conditions.

Air duct

For HR3011FC, HR3012FC only

CAUTION: Do not put your finger into the air duct or do not insert any other object into the air duct. Otherwise you may get injured or the tool may get damaged.

The air duct is to connect to the dust collection system. When using the dust collection system, read the section about the dust collection system.

► **Fig.9:** 1. Air duct

ASSEMBLY

CAUTION: Always be sure that the tool is switched off and unplugged before carrying out any work on the tool.

Side grip (auxiliary handle)

CAUTION: Always use the side grip to ensure safe operation.

CAUTION: After installing or adjusting the side grip, make sure that the side grip is firmly secured.

To install the side grip, follow the steps below.

1. Loosen the thumb screw on the side grip.

► **Fig.10:** 1. Thumb screw

2. Attach the side grip while pressing the thumb screw so that the grooves on the grip fit in the protrusions on the tool barrel.

► **Fig.11:** 1. Thumb screw

3. Tighten the thumb screw to secure the grip. The grip can be fixed at desired angle.

Grease

Coat the shank end of the drill bit beforehand with a small amount of grease (about 0.5 - 1 g). This chuck lubrication assures smooth action and longer service life.

Installing or removing drill bit

Clean the shank end of the drill bit and apply grease before installing the drill bit.

► **Fig.12:** 1. Shank end 2. Grease

Insert the drill bit into the tool. Turn the drill bit and push it in until it engages.


After installing the drill bit, always make sure that the drill bit is securely held in place by trying to pull it out.

► **Fig.13:** 1. Drill bit


To remove the drill bit, pull the chuck cover down all the way and pull the drill bit out.

► **Fig.14:** 1. Drill bit 2. Chuck cover

Chisel angle (when chipping, scaling or demolishing)

The chisel can be secured at the desired angle. To change the chisel angle, rotate the action mode changing knob to the  symbol. Turn the chisel to the desired angle.

► **Fig.15:** 1. Action mode changing knob

Rotate the action mode changing knob to the  symbol. Then make sure that the chisel is securely held in place by turning it slightly.

Depth gauge

The depth gauge is convenient for drilling holes of uniform depth. Press and hold the lock button, and then insert the depth gauge into the hex hole. Make sure that the toothed side of the depth gauge faces the marking.

► **Fig.16:** 1. Depth gauge 2. Lock button 3. Marking 4. Toothed side

Adjust the depth gauge by moving it back and forth while pressing the lock button. After the adjustment, release the lock button to lock the depth gauge.

NOTE: Make sure that the depth gauge does not touch the main body of the tool when attaching it.

Dust cup

Optional accessory

Use the dust cup to prevent dust from falling over the tool and on yourself when performing overhead drilling operations. Attach the dust cup to the bit as shown in the figure. The size of bits which the dust cup can be attached to is as follows.

| Model | Bit diameter |
|------------|----------------|
| Dust cup 5 | 6 mm - 14.5 mm |
| Dust cup 9 | 12 mm - 16 mm |

► **Fig.17:** 1. Dust cup

Dust cup set

Optional accessory

For Models HR3011FC, HR3001C

NOTICE: When using the dust cup set in HR3011FC, HR3001C, the spacer is also required.

Before installing the dust cup set, remove the bit from the tool if installed.

Attach the spacer to the dust cup set. \triangle symbol on the dust cup is aligned with the groove in the spacer.

► **Fig.18:** 1. Spacer 2. \triangle symbol 3. Groove

Install the dust cup set with the spacer on the tool so that the \triangle symbol on the dust cup is aligned with the groove in the tool.

► **Fig.19:** 1. \triangle symbol 2. Groove

To remove the dust cup set, remove the bit while pulling the chuck cover in the direction of the arrow.

► **Fig.20:** 1. Bit 2. Chuck cover

Hold the spacer and pull it out.

► **Fig.21**

For Model HR3012FC

Before installing the dust cup set, remove the bit from the tool if installed.

Install the dust cup set on the tool so that the \triangle symbol on the dust cup is aligned with the groove in the tool.

► **Fig.22:** 1. \triangle symbol 2. Groove

To remove the dust cup set, remove the bit while pulling the chuck cover in the direction of the arrow.

► **Fig.23:** 1. Bit 2. Chuck cover

Hold the root of dust cup and pull it out.

► **Fig.24**

NOTE: If you connect a vacuum cleaner to the dust cup set, remove the dust cap before connecting it.

► **Fig.25:** 1. Dust cap

NOTE: If the cap comes off from the dust cup, attach it with its printed side facing up so that groove on the cap fits in the inside periphery of the attachment.

► **Fig.26**

Tool hanger

Optional accessory

⚠WARNING: Do not use damaged tool hanger and screw.

⚠WARNING: Use the screw provided with the tool hanger only.

⚠WARNING: Before using the tool hanger, check for damages, cracks or deformations, and make sure that the screw is tightened.

⚠CAUTION: Install or remove the tool hanger on a stable table or surface.

The tool hanger is intended for connecting the lanyard (tether strap). To install the tool hanger to the tool, follow the steps below.

1. Disconnect the plug from the power source.
2. Insert the projections of the tool hanger into the holes on the tool.
3. Tighten the screws firmly.

► **Fig.27:** 1. Tool hanger 2. Hole 3. Projection 4. Screw

DUST COLLECTION SYSTEM

For HR3011FC, HR3012FC only

Optional accessory

The dust collection system is designed to collect dusts effectively when the concrete drilling operation.

► **Fig.28:** 1. Dust collection system

⚠CAUTION: Make sure that the tool is switched off and unplugged before carrying out any work on the tool. Failure to do so may result in personal injury from accidental start-up.

⚠CAUTION: Always attach the filter to the dust collection system. Failure to do so cause dust inhalation.

⚠CAUTION: Check that the filter is not damaged. Failure to do so may cause dust inhalation.

NOTICE: Do not use the dust collection system for core drilling or chiseling. The dust collection system is intended for drilling only.

NOTICE: Do not use the dust collection system for metal or wood. The dust collection system is intended for concrete only.

NOTICE: Do not use the dust collection system for drilling in wet concrete or use this system in wet environment. Failure to do so may cause malfunction.

NOTE: The dust collection system collects the generated dust at a considerable rate, but not all dust can be collected.

Installing or removing the dust collection system

NOTICE: Before installing the dust collection system, clean the joint parts of the tool and the dust collection system.

Foreign matters on the joint parts may cause it difficult to install the dust collection system. Particularly the foreign matters on the electrical interface may cause malfunction.

If any dust remains on the air duct, the dust comes into the tool and causes jam in the airflow or breakage of the tool.

Hook the dust collection system on the tool, and then insert the dust collection system all the way, until it locks in place with a little double click.

After that, make sure that the dust collection system is securely installed.

► Fig.29: 1. Air duct

When removing the dust collection system, press the lock-off button.

► Fig.30: 1. Lock-off button

Adjusting the nozzle position of the dust collection system

CAUTION: Do not point the nozzle at yourself or others when releasing the nozzle by pushing the guide adjustment button.

Push in the guide while pushing the guide adjustment button, and then release the guide adjustment button at the desired position.

► Fig.31: 1. Guide 2. Guide adjustment button

Adjusting the drilling depth of the dust collection system

Slide the depth adjustment button to the desired position while pushing it. The distance (A) is the drilling depth.

► Fig.32: 1. Depth adjustment button

Beating dust on the filter

CAUTION: Do not turn the dial on the dust case while the dust case is removed from the dust collection system. Doing so may cause dust inhalation.

CAUTION: Always switch off the tool when turning the dial on the dust case. Turning the dial while the tool is running may result in the loss of control of the tool.

By beating the dust on the filter inside the dust case, you can keep the vacuum efficiency and also reduce the number of times to dispose of the dust. Turn the dial on the dust case three times after collecting every 50,000 mm³ of dust or when you feel the vacuum performance declined.

NOTE: 50,000 mm³ of dust equivalents to drilling 10 holes of \varnothing 10 mm and 14 mm depth (2 holes of \varnothing 65" and 3/8" depth).

► Fig.33: 1. Dust case 2. Dial

Disposing of dust

CAUTION: Wear dust mask when disposing of dust.

CAUTION: Empty the dust case regularly before the dust case becomes full. Failure to do so may decrease the dust collection performance, and then cause dust inhalation.

CAUTION: Replace the filter with new one after approximately 200 times of dust fulfillment as a guide. A clogged filter decreases dust collection performance, and then cause dust inhalation.

NOTICE: When cleaning the filter, tap the case of the filter gently by hand to remove dust. Do not tap the filter directly; touch the filter with brush or similar; or blow compressed air on the filter. Doing so may damage the filter.

1. Remove the dust case while pressing down the lever of the dust case.

► Fig.34: 1. Lever

2. Open the cover of the dust case.

► Fig.35: 1. Cover

3. Dispose of the dust, and then clean the filter.

► Fig.36

Replacing filter of dust case

1. Remove the dust case while pressing down the lever of the dust case. (Refer to the section for disposing of dust.)

2. Open the filter cover of the dust case.

► Fig.37: 1. Filter cover

3. Remove the filter from the filter case.

► Fig.38: 1. Filter 2. Filter case

4. Attach a new filter to the filter case, and then attach the filter cover.

5. Close the cover of the dust case, and then attach the dust case to the dust collection system.

Replacing sealing cap

If the sealing cap is worn out, the performance of the dust collection decreases. Replace it if it is worn out. Remove the sealing cap, and then attach a new one with its protrusion facing upward.

► **Fig.39:** 1. Protrusion 2. Sealing cap

OPERATION

CAUTION: Always use the side grip (auxiliary handle) and firmly hold the tool by both side grip and switch handle during operations.

CAUTION: Always make sure that the workpiece is secured before operation.


CAUTION: Do not pull the tool out forcibly even the bit gets stuck. Loss of control may cause injury.

CAUTION: For HR3011FC, HR3012FC only
Before using the dust collection system with the tool, read the section about the dust collection system.

► **Fig.40**

Hammer drilling operation


CAUTION: There is tremendous and sudden twisting force exerted on the tool/drill bit at the time of hole break-through, when the hole becomes clogged with chips and particles, or when striking reinforcing rods embedded in the concrete. **Always use the side grip (auxiliary handle) and firmly hold the tool by both side grip and switch handle during operations.** Failure to do so may result in the loss of control of the tool and potentially severe injury.

Set the action mode changing knob to the  symbol. Position the drill bit at the desired location for the hole, then pull the switch trigger. Do not force the tool. Light pressure gives best results. Keep the tool in position and prevent it from slipping away from the hole.

Do not apply more pressure when the hole becomes clogged with chips or particles. Instead, run the tool at an idle, then remove the drill bit partially from the hole. By repeating this several times, the hole will be cleaned out and normal drilling may be resumed.

NOTE: Eccentricity in the drill bit rotation may occur while operating the tool with no load. The tool automatically centers itself during operation. This does not affect the drilling precision.

Chipping/Scaling/Demolition

Set the action mode changing knob to the  symbol. Hold the tool firmly with both hands. Turn the tool on and apply slight pressure on the tool so that the tool will not bounce around, uncontrolled.

Pressing very hard on the tool will not increase the efficiency.

► **Fig.41**

Drilling in wood or metal

CAUTION: Hold the tool firmly and exert care when the drill bit begins to break through the workpiece. There is a tremendous force exerted on the tool/drill bit at the time of hole break through.

CAUTION: A stuck drill bit can be removed simply by setting the reversing switch to reverse rotation in order to back out. However, the tool may back out abruptly if you do not hold it firmly.

CAUTION: Always secure workpieces in a vise or similar hold-down device.

NOTICE: Never use "rotation with hammering" when the drill chuck is installed on the tool. The drill chuck may be damaged.

Also, the drill chuck will come off when reversing the tool.

NOTICE: Pressing excessively on the tool will not speed up the drilling. In fact, this excessive pressure will only serve to damage the tip of your drill bit, decrease the tool performance and shorten the service life of the tool.

Set the action mode changing knob to the  symbol.

For Models HR3011FC, HR3001C

Optional accessory

Attach the chuck adapter to a keyless drill chuck to which 1/2"-20 size screw can be installed, and then install them to the tool. When installing it, refer to the section "Installing or removing drill bit".

► **Fig.42:** 1. Keyless drill chuck 2. Chuck adapter

For Model HR3012FC

Use the quick change drill chuck as standard equipment. When installing it, refer to "changing the quick change chuck for SDS-plus".


Hold the ring and turn the sleeve counterclockwise to open the chuck jaws. Place the bit in the chuck as far as it will go. Hold the ring firmly and turn the sleeve clockwise to tighten the chuck.

► **Fig.43:** 1. Sleeve 2. Ring

To remove the bit, hold the ring and turn the sleeve counterclockwise.

Diamond core drilling

NOTICE: If performing diamond core drilling operations using "rotation with hammering" action, the diamond core bit may be damaged.

When performing diamond core drilling operations, always set the action mode changing knob to the  position to use "rotation only" action.

Blow-out bulb

Optional accessory

After drilling the hole, use the blow-out bulb to clean the dust out of the hole.

► **Fig.44**

Using dust cup set

Optional accessory

Fit the dust cup set against the ceiling when operating the tool.

► Fig.45

NOTICE: Do not use the dust cup set when drilling in metal or similar. It may damage the dust cup set due to the heat produced by small metal dust or similar.

NOTICE: Do not install or remove the dust cup set with the drill bit installed in the tool. It may damage the dust cup set and cause dust leak.

Connecting lanyard (tether strap) to tool hanger

▲ Safety warnings specific for use at height

Read all safety warnings and instructions. Failure to follow the warnings and instructions may result in serious injury.

1. Always keep the tool tethered when working "at height". Maximum lanyard length is 2 m. The maximum permissible fall height for lanyard (tether strap) must not exceed 2 m.
2. Use only with lanyards appropriate for this tool type and rated for at least 7.5 kg.
3. Do not anchor the tool lanyard to anything on your body or on movable components. Anchor the tool lanyard to a rigid structure that can withstand the forces of a dropped tool.
4. Make sure the lanyard is properly secured at each end prior to use.
5. Inspect the tool and lanyard before each use for damage and proper function (including fabric and stitching). Do not use if damaged or not functioning properly.
6. Do not wrap lanyards around or allow them to come in contact with sharp or rough edges.
7. Fasten the other end of the lanyard outside the working area so that a falling tool is held securely.
8. Attach the lanyard so that the tool will move away from the operator if it falls. Dropped tools will swing on the lanyard, which could cause injury or loss of balance.
9. Do not use near moving parts or running machinery. Failure to do so may result in a crush or entanglement hazard.
10. Do not carry the tool by the attachment device or the lanyard.
11. Only transfer the tool between your hands while you are properly balanced.
12. Do not attach lanyards to the tool in a way that keeps switches or trigger-lock (if supplied) from operating properly.
13. Avoid getting tangled in the lanyard.
14. Keep lanyard away from the drilling area of the tool.
15. Use multi-action and screw gate type carabineers. Do not use single action spring clip carabineers.
16. In the event the tool is dropped, it must be tagged and removed from service, and should be inspected by a Makita Factory or Authorized Service Center.

► Fig.46: 1. Tool hanger 2. Lanyard (tether strap)

MAINTENANCE

▲ CAUTION: Always be sure that the tool is switched off and unplugged before attempting to perform inspection or maintenance.

NOTICE: Never use gasoline, benzene, thinner, alcohol or the like. Discoloration, deformation or cracks may result.

To maintain product SAFETY and RELIABILITY, repairs, any other maintenance or adjustment should be performed by Makita Authorized or Factory Service Centers, always using Makita replacement parts.

OPTIONAL ACCESSORIES

▲ CAUTION: These accessories or attachments are recommended for use with your Makita tool specified in this manual. The use of any other accessories or attachments might present a risk of injury to persons. Only use accessory or attachment for its stated purpose.

If you need any assistance for more details regarding these accessories, ask your local Makita Service Center.

- Carbide-tipped drill bits (SDS-Plus carbide-tipped bits)
- Core bit
- Bull point
- Diamond core bit
- Cold chisel
- Scaling chisel
- Grooving chisel
- Chuck adapter
- Keyless drill chuck
- Bit grease
- Depth gauge
- Blow-out bulb
- Dust cup
- Dust cup set
- Spacer (for HR3011FC, HR3001C)
- Dust collection system (for HR3011FC, HR3012FC)
- Safety goggles
- Tool hanger

NOTE: Some items in the list may be included in the tool package as standard accessories. They may differ from country to country.

DANE TECHNICZNE

| Model: | | HR3011FC | HR3012FC | HR3001C |
|-------------------------|-------------------------------------|-----------------------------|------------|--------------|
| Zakresy wiercenia | Beton | 30 mm | | |
| | Wiertło koronowe | 80 mm | | |
| | Diamantowe wiertło koronowe (suche) | 80 mm | | |
| | Stal | 13 mm | | |
| | Drewno | 32 mm | | |
| Prędkość bez obciążenia | | 0 – 840 min ⁻¹ | | |
| Liczba udarów na minutę | | 0 – 4 500 min ⁻¹ | | |
| Długość całkowita | | 369 mm | 386 mm | 369 mm |
| Masa netto | | 4,4 – 4,8 kg | 4,5–4,7 kg | 4,1 – 4,5 kg |
| Klasa bezpieczeństwa | | □/ll | | |

Wyposażenie dodatkowe

| Model: | DX10 (dotyczy modelu HR3011FC) | DX11 (dotyczy modelu HR3012FC) |
|--|---|--------------------------------|
| Obrobiany element i tryb pracy możliwe do zastosowania | tylko wiercenie w betonie (nie dotyczy metalu lub drewna ani wiercenia lub kucia koronowego) | |
| Wydajność ssania | 0,35 l/min | |
| Skok roboczy | Maks. 190 mm | |
| Odpowiednie wiertło | Maks. 265 mm | |
| Masa netto | 1,2 kg | |

- W związku ze stale prowadzonym przez naszą firmę programem badawczo-rozwojowym niniejsze dane mogą ulec zmianom bez wcześniejszego powiadomienia.
- Dane techniczne mogą różnić się w zależności od kraju.
- Wysokość może być różna w zależności od osprzętu. W tabeli została przedstawiona najniższa i najwyższa konfiguracja zgodnie z procedurą EPTA 01/2014.

Przeznaczenie

Narzędzie jest przeznaczone do wiercenia udarowego oraz wiercenia w cegle, betonie i kamieniu, a także do podkukiwania. Nadaje się również do wiercenia w drewnie, metalu, ceramice i tworzywach sztucznych bez użycia udaru.

Zasilanie

Narzędzie wolno podłączać tylko do źródeł zasilania o napięciu zgodnym z napięciem podanym na tabliczce znamionowej. Można je zasilać wyłącznie jednofazowym prądem przemiennym. Narzędzie ma podwójną izolację, dlatego też można je zasilac z gniazda elektrycznego bez uziemienia.

Hałas

Typowy równoważny poziom dźwięku A określony w oparciu o normę EN60745-2-6:

Model HR3011FC

Poziom ciśnienia akustycznego (L_{pA}): 94 dB(A)

Poziom mocy akustycznej (L_{WA}): 105 dB (A)

Niepewność (K): 3 dB(A)

Model HR3012FC

Poziom ciśnienia akustycznego (L_{pA}): 93 dB(A)

Poziom mocy akustycznej (L_{WA}): 104 dB (A)

Niepewność (K): 3 dB(A)

Model HR3001C

Poziom ciśnienia akustycznego (L_{pA}): 94 dB(A)

Poziom mocy akustycznej (L_{WA}): 105 dB (A)

Niepewność (K): 3dB(A)

Model HR3011FC z DX10

Poziom ciśnienia akustycznego (L_{pA}): 96 dB(A)

Poziom mocy akustycznej (L_{WA}): 107 dB (A)

Niepewność (K): 3 dB(A)

Model HR3012FC z DX11

Poziom ciśnienia akustycznego (L_{pA}): 94 dB (A)

Poziom mocy akustycznej (L_{WA}): 105 dB (A)

Niepewność (K): 3 dB (A)

WSKAZÓWKA: Deklarowana wartość emisji hałasu została zmierzona zgodnie ze standardową metodą testową i można ją wykorzystać do porównywania narzędzi.

WSKAZÓWKA: Deklarowaną wartość emisji hałasu można także wykorzystać we wstępnej ocenie narażenia.

⚠️ OSTRZEŻENIE: Nosić ochronniki słuchu.

⚠️ OSTRZEŻENIE: Poziom hałasu wytwarzanego podczas rzeczywistego użytkowania elektronarzędzia może się różnić od wartości deklarowanej w zależności od sposobu użytkowania narzędzia, a w szczególności od rodzaju obrabianego elementu.

⚠️ OSTRZEŻENIE: W oparciu o szacowane narażenie w rzeczywistych warunkach użytkowania należy określić środki bezpieczeństwa w celu zapewnienia ochrony operatora (uwzględniając wszystkie elementy cyklu działania, tj. czas, kiedy narzędzie jest wyłączone i kiedy pracuje na biegu jałowym, a także czas, kiedy jest włączone).

Drgania

Poniższa tabela przedstawia wartość poziomu drgań (suma wektorów w 3 osiach) określoną zgodnie z obowiązującą normą.

Model HR3011FC

| Tryb pracy | Emisja drgań | Niepewność (K) | Obowiązująca norma |
|--|----------------------|----------------------|--------------------|
| Wiercenie udarowe w betonie ($a_{h, HD}$) | 9,5 m/s ² | 1,5 m/s ² | EN60745-2-6 |
| Wiercenie udarowe w betonie z zastosowaniem DX10 ($a_{h, HD}$) | 9,5 m/s ² | 1,5 m/s ² | EN60745-2-6 |
| Podkuwanie z uchwytem bocznym ($a_{h, Chex}$) | 6,0 m/s ² | 1,5 m/s ² | EN60745-2-6 |
| Wiercenie w metalu ($a_{h, D}$) | 5,5 m/s ² | 1,5 m/s ² | EN62841-2-1 |

Model HR3012FC

| Tryb pracy | Emisja drgań | Niepewność (K) | Obowiązująca norma |
|--|----------------------|----------------------|--------------------|
| Wiercenie udarowe w betonie ($a_{h, HD}$) | 9,5 m/s ² | 1,5 m/s ² | EN60745-2-6 |
| Wiercenie udarowe w betonie z zastosowaniem DX11 ($a_{h, HD}$) | 8,0 m/s ² | 1,5 m/s ² | EN60745-2-6 |
| Podkuwanie z uchwytem bocznym ($a_{h, Chex}$) | 5,5 m/s ² | 1,5 m/s ² | EN60745-2-6 |
| Wiercenie w metalu ($a_{h, D}$) | 6,0 m/s ² | 1,5 m/s ² | EN62841-2-1 |

Model HR3001C

| Tryb pracy | Emisja drgań | Niepewność (K) | Obowiązująca norma |
|---|-----------------------|----------------------|--------------------|
| Wiercenie udarowe w betonie ($a_{h, HD}$) | 13,5 m/s ² | 1,5 m/s ² | EN60745-2-6 |
| Podkuwanie z uchwytem bocznym ($a_{h, Chex}$) | 11,0 m/s ² | 1,5 m/s ² | EN60745-2-6 |
| Wiercenie w metalu ($a_{h, D}$) | 6,0 m/s ² | 1,5 m/s ² | EN62841-2-1 |

WSKAZÓWKA: Deklarowana wartość poziomu drgań została zmierzona zgodnie ze standardową metodą testową i można ją wykorzystać do porównywania narzędzi.

WSKAZÓWKA: Deklarowaną wartość poziomu drgań można także wykorzystać we wstępnej ocenie narażenia.

⚠️ OSTRZEŻENIE: Drgania wytwarzane podczas rzeczywistego użytkowania elektronarzędzia mogą się różnić od wartości deklarowanej w zależności od sposobu użytkowania narzędzia, a w szczególności od rodzaju obrabianego elementu.

⚠️ OSTRZEŻENIE: W oparciu o szacowane narażenie w rzeczywistych warunkach użytkowania należy określić środki bezpieczeństwa w celu zapewnienia ochrony operatora (uwzględniając wszystkie elementy cyklu działania, tj. czas, kiedy narzędzie jest wyłączone i kiedy pracuje na biegu jałowym, a także czas, kiedy jest włączone).

Deklaracja zgodności WE

Dotyczy tylko krajów europejskich

Deklaracja zgodności WE jest dołączona jako załącznik A do niniejszej instrukcji obsługi.

OSTRZEŻENIA DOTYCZĄCE BEZPIECZEŃSTWA

Ogólne zasady bezpiecznej eksploatacji elektronarzędzi

⚠️ OSTRZEŻENIE: Należy zapoznać się z ostrzeżeniami dotyczącymi bezpieczeństwa, instrukcjami, ilustracjami i danymi technicznymi dołączonymi do tego elektronarzędzia. Niezastosowanie się do podanych poniżej instrukcji może prowadzić do porażenia prądem, pożaru i/lub poważnych obrażeń ciała.

Wszystkie ostrzeżenia i instrukcje należy zachować do wykorzystania w przyszłości.

Pojęcie „elektronarzędzie”, występujące w wymienionych tu ostrzeżeniach, odnosi się do elektronarzędzia zasilanego z sieci elektrycznej (z przewodem zasilającym) lub do elektronarzędzia akumulatorowego (bez przewodu zasilającego).

OSTRZEŻENIE DOTYCZĄCE BEZPIECZEŃSTWA DLA WIERTARKI UDAROWEJ

1. **Nosić ochronniki słuchu.** Hałas może spowodować utratę słuchu.
2. **Używać narzędzia z uchwytemi pomocniczymi, jeśli zostały dostarczone wraz z nim.** Utrata kontroli może spowodować obrażenia ciała.

3. Trzymać elektronarzędzie za izolowane powierzchnie rękojeści podczas wykonywania prac, przy których osprzęt może dotknąć niewidocznej instalacji elektrycznej. Zetknięcie osprzętu z przewodem elektrycznym znajdującym się pod napięciem może spowodować, że odsłonięte elementy metalowe elektronarzędzia również znajdują się pod napięciem, grożąc porażeniem operatora prądem elektrycznym.
4. Nosić kask (helm ochronny), okulary ochronne oraz/lub osłonę twarzy. Wytłkłe okulary bądź okulary przeciwsłoneczne NIE są okularami ochronnymi. Stanowczo zaleca się również noszenie maski przeciwpyłowej oraz grubych rękawic.
5. Przed uruchomieniem narzędzia należy się upewnić, czy wiertło jest dobrze zamocowane.
6. W normalnych warunkach pracy narzędzie wytwarza drgania. W związku z tym śruby mogą łatwo ulec poluzowaniu, doprowadzając do awarii lub wypadku. Przed uruchomieniem narzędzia należy skontrolować, czy śruby są dobrze dokręcone.
7. W przypadku niskiej temperatury lub gdy narzędzie nie było używane przez dłuższy czas, należy najpierw je rozgrzać, uruchamiając na chwilę bez obciążenia. W ten sposób gęstość smaru ulegnie zmniejszeniu. Bez właściwego rozgrzania narzędzia działanie funkcji udaru jest utrudnione.
8. Podczas pracy należy zadbać o dobre oparcie dla nóg. W przypadku pracy na pewnej wysokości upewnić się, że na dole nie przebywają żadne osoby.
9. Narzędzie należy trzymać mocno oburącz.
10. Trzymać ręce z dala od części ruchomych.
11. Nie pozostawiać włączonego narzędzia. Narzędzie można uruchomić tylko, gdy jest trzymane w rękach.
12. Podczas pracy nie wolno kierować narzędzia w stronę osób znajdujących się w pobliżu. Wiertło może wylecieć z uchwytu i poważnie kogoś zranić.
13. Nie dotykać wiertła, części w pobliżu wiertła ani elementu obrabianego od razu po zakończeniu danej operacji; mogą one być bardzo gorące i spowodować oparzenie skóry.
14. Niektóre materiały zawierają substancje chemiczne, które mogą być toksyczne. Unikaj wdychania pyłu i kontaktu ze skórą. Przestrzegaj przepisów bezpieczeństwa podanych przez dostawcę materiałów.
15. Nie dotykać wtyczki mokrymi rękoma.

ZACHOWAĆ NINIEJSZE INSTRUKCJE.

⚠ OSTRZEŻENIE: NIE WOLNO pozwolić, aby wygoda lub rutyna (nabyta w wyniku wielokrotnego używania urządzenia) zastąpiły ściśle przestrzeganie zasad bezpieczeństwa obsługi. **NIEWŁAŚCIWE UŻYTKOWANIE** narzędzia lub niestosowanie się do zasad bezpieczeństwa podanych w niniejszej instrukcji obsługi może prowadzić do poważnych obrażeń ciała.

OPIS DZIAŁANIA

⚠ PRZESTROGA: Przed rozpoczęciem regulacji lub sprawdzeniem działania narzędzia należy upewnić się, że jest ono wyłączone i nie podłączone do sieci.

Działanie przełącznika

⚠ PRZESTROGA: Przed podłączeniem narzędzia do zasilania należy zawsze sprawdzić, czy spust przełącznika działa prawidłowo oraz czy wraca do położenia wyłączenia po zwolnieniu.

W celu uruchomienia narzędzia wystarczy pociągnąć spust przełącznika. Prędkość narzędzia zwiększa się wraz ze zwiększaniem nacisku na spust przełącznika. W celu wyłączenia wystarczy zwolnić spust przełącznika.

► **Rys.1:** 1. Spust przełącznika

Włączanie lampki czołowej

Dotyczy tylko modeli **HR3011FC HR3012FC**

⚠ PRZESTROGA: Nie patrzeć na światło ani bezpośrednio na źródło światła.

Aby włączyć lampkę, należy pociągnąć za spust przełącznika. W celu wyłączenia należy zwolnić spust przełącznika.

► **Rys.2:** 1. Lampka

WSKAZÓWKWA: Aby usunąć zabrudzenia z klosza lampki, należy użyć suchej szmatki. Uważać, aby nie zarysować klosza lampki, gdyż może to zmniejszyć natężenie oświetlenia.

Działanie przełącznika zmiany kierunku obrotów

⚠ PRZESTROGA: Przed przystąpieniem do pracy należy zawsze sprawdzić ustawiony kierunek obrotów.

⚠ PRZESTROGA: Przełącznika zmiany kierunku obrotów można użyć tylko po całkowitym zatrzymaniu narzędzia. Zmiana kierunku obrotów przed zatrzymaniem się narzędzia grozi jego uszkodzeniem.

UWAGA: Podczas zmiany kierunku obrotów należy dokładnie ustawić przełącznik obrotów wstecznych po stronie **A** lub **B**. W przeciwnym razie po pociągnięciu spustu przełącznika silnik może się nie obracać lub narzędzie może działać nieprawidłowo.

Omawiane narzędzie jest wyposażone w przełącznik umożliwiający zmianę kierunku obrotów. Przesunięcie dźwigni przełącznika obrotów wstecznych w położenie **A** powoduje wybranie kierunku obrotów w prawą stronę, a w położenie **B** powoduje wybranie kierunku obrotów w lewą stronę.

► **Rys.3:** 1. Dźwignia przełącznika obrotów wstecznych



Wymiana szybkowymiennego uchwytu SDS-plus

Dotyczy tylko modelu HR3012FC

Uchwyt szybkowymienny SDS-plus można łatwo wymienić na szybkowymienny uchwyt wiertarski.




Zdejmowanie szybkowymiennego uchwytu SDS-plus

⚠ PRZESTROGA: Przed przystąpieniem do demontażu szybkowymiennego uchwytu SDS-plus należy zawsze wyjąć końcówkę.

Chwycić za pierścień wymiany szybkowymiennego uchwytu SDS-plus i obrócić go w kierunku strzałki, aż znacznik pierścienia wymiany przesunie się z symbolu  na symbol . Pociągnąć mocno w kierunku strzałki.

- **Rys.4:** 1. Szybkowymienny uchwyt SDS-plus
2. Pierścień wymiany 3. Znacznik na pierścieniu wymiany

Zakładanie szybkowymiennego uchwytu wiertarskiego

Sprawdzić, czy znacznik na szybkowymiennym uchwycie wiertarskim wskazuje symbol . Chwycić za pierścień wymiany szybkowymiennego uchwytu wiertarskiego i przestawić go tak, aby znacznik wskazywał symbol . Nałożyć szybkowymienny uchwyt wiertarski na wrzeciono narzędzia. Chwycić za pierścień wymiany szybkowymiennego uchwytu wiertarskiego i obrócić, aż znacznik pierścienia wymiany wyrówna się z symbolem , co jest sygnalizowane charakterystycznym kliknięciem.


- **Rys.5:** 1. Szybkowymienny uchwyt wiertarski
2. Wrzeciono 3. Znacznik na pierścieniu wymiany 4. Pierścień wymiany

Wybór trybu pracy

⚠ UWAGA: Nie wolno przekręcać pokrętki zmiany trybu pracy, gdy narzędzie pracuje. Spowoduje to uszkodzenie narzędzia.


⚠ UWAGA: Aby uniknąć szybkiego zużywania się mechanizmu zmiany trybu pracy, pokrętło zmiany trybu pracy musi być zawsze ustawione dokładnie w jednym z trzech położen trybu pracy.

Wiercenie udarowe

Aby wiercić w betonie, cegle itp., należy ustawić pokrętło zmiany trybu pracy w położeniu . Używać wiertel z końcówką z węglika wolframu (osprzęt dodatkowy).


- **Rys.6:** 1. Wiercenie udarowe 2. Pokrętło zmiany trybu pracy

Tylko wiercenie

Aby wiercić w drewnie, metalu lub tworzywach sztucznych, należy ustawić pokrętło zmiany trybu pracy w położeniu . Używać wiertła krętego lub wiertła do drewna.

- **Rys.7:** 1. Tylko wiercenie

Tylko kucie

W przypadku kucia, podkuwania lub prac wyburzeniowych należy ustawić pokrętło zmiany trybu pracy w położeniu . Używać punktaków, przecinaków, dłut itp.

- **Rys.8:** 1. Tylko kucie

Ogranicznik momentu obrotowego

⚠ UWAGA: Kiedy zadziała ogranicznik momentu obrotowego, należy natychmiast wyłączyć narzędzie. Dzięki temu uniknie się przedwczesnego zużycia narzędzia.

⚠ UWAGA: Do opisywanego narzędzia nie nadają się takie wiertła, jak piły walcowe, które mają tendencję do zakleszczania lub blokowania się w otworze. Powodują one zbyt częste włączanie ogranicznika momentu obrotowego.

Ogranicznik momentu obrotowego zaczyna działać, gdy zostanie osiągnięta określona wartość momentu. W takiej sytuacji silnik zostaje odłączony od walka napędu. To powoduje zatrzymanie obrotów wiertła.

Funkcja regulacji elektronicznej

Narzędzie jest wyposażone w funkcje regulacji elektronicznej ułatwiającej jego obsługę.

- Kontrola stałej prędkości
Funkcja regulacji prędkości zapewnia stałą prędkość obrotową niezależnie od warunków obciążenia.

Kanał powietrza

Dotyczy tylko modeli HR3011FC HR3012FC

⚠ PRZESTROGA: Nie należy wkładać do kanału powietrza palców ani jakichkolwiek innych obiektów. W przeciwnym razie może dojść do obrażeń ciała lub uszkodzenia narzędzia.

Kanał powietrza służy do połączenia z pochłaniaczem pyłu. Przed użyciem pochłaniacza pyłu należy zapoznać się z punktem dotyczącym tego systemu.

- **Rys.9:** 1. Kanał powietrza

MONTAŻ

⚠ PRZESTROGA: Przed wykonywaniem jakichkolwiek prac przy narzędziu należy upewnić się, że jest ono wyłączone i odłączone od zasilania.

Uchwyt boczny (rękojeść pomocnicza)

⚠ PRZESTROGA: Aby zapewnić bezpieczeństwo podczas pracy, należy zawsze korzystać z uchwytu bocznego.

⚠ PRZESTROGA: Po założeniu lub zmianie położenia uchwytu bocznego należy upewnić się, że uchwyt jest dobrze zamocowany.

W celu zamontowania uchwyty boczny należy wykonać poniższe czynności.

1. Poluzować śrubę radełkowaną na uchwycie bocznym.
► **Rys.10:** 1. Śruba radełkowana
2. Założyć uchwyt boczny, naciskając śrubę radełkowaną, aby rowki znajdujące się na uchwycie weszły między występy na korpusie narzędzia.
► **Rys.11:** 1. Śruba radełkowana
3. Dokręcić śrubę radełkowaną, aby zapewnić bezpieczne mocowanie. Uchwyt można zamocować pod żądanym kątem.

Smarowanie

Posmarować najpierw koniec chwytu wiertła niewielką ilością smaru (ok. 0,5–1 g).
Taki smarowanie chwytu zapewni prawidłowe i długotrwałe działanie.

Wkładanie i wyjmowanie wiertła

Wyczyścić koniec chwytu wiertła i posmarować smarem przed założeniem.

► **Rys.12:** 1. Koniec chwytu 2. Smar

Włożyć wiertło do narzędzia. Obrócić wiertło i wcisnąć je do momentu zamocowania.

Po włożeniu wiertła należy koniecznie upewnić się, że wiertło jest prawidłowo zamocowane, próbując je wyciągnąć.

► **Rys.13:** 1. Wiertło

Aby wyjąć wiertło, należy pociągnąć osłonę uchwyty w dół do oporu i wyciągnąć wiertło.

► **Rys.14:** 1. Wiertło 2. Osłona uchwyty

Kąt ustawienia dłuta (podczas kucia, podkuwania, wyburzania itp.)

Dłuto można unieruchomić pod wymaganym kątem. Aby zmienić kąt ustawienia dłuta, należy obrócić pokrętko zmiany trybu pracy do położenia O. Następnie należy ustawić dłuto pod wymaganym kątem.

► **Rys.15:** 1. Pokrętko zmiany trybu pracy

Ustawić pokrętko zmiany trybu pracy w położeniu T. Następnie należy sprawdzić, czy dłuto jest dobrze zamocowane, próbując je lekko obrócić.

Ogranicznik głębokości

Ogranicznik głębokości służy do wiercenia otworów o jednakowej głębokości.

Nacisnąć i przytrzymać przycisk blokady, a następnie włożyć ogranicznik głębokości do otworu sześciokątnego. Upewnić się, że ząbkowana strona ogranicznika głębokości jest skierowana do oznakowania.

► **Rys.16:** 1. Ogranicznik głębokości 2. Przycisk blokady 3. Oznakowanie 4. Ząbkowana strona

Naciskając przycisk blokady, wyregulować ogranicznik głębokości, poruszając nim do przodu i do tyłu. Po wyregulowaniu zwolnić przycisk blokady, aby zablokować ogranicznik głębokości.

WSKAZÓWKA: Upewnić się, że ogranicznik głębokości nie dotyka korpusu narzędzia po zamocowaniu.

Osłona przeciwpyłowa

Osprzęt dodatkowy

Osłony tej należy używać, aby podczas wiercenia w pozycji do góry, np. w suficie, pył nie spadał na narzędzie ani na osobę obsługującą. Osłonę należy zamocować na wiertle, jak okazano na rysunku. Wymiary wiertel, na których można zamocować tę osłonę zostały podane poniżej.

| Model | Średnica wiertła |
|------------------------|------------------|
| Osłona przeciwpyłowa 5 | 6 – 14,5 mm |
| Osłona przeciwpyłowa 9 | 12 – 16 mm |

► **Rys.17:** 1. Osłona przeciwpyłowa

Zestaw przeciwpyłowy

Osprzęt dodatkowy

Dotyczy modeli HR3011FC, HR3001C

UWAGA: Do stosowania zestawu przeciwpyłowego w modelach HR3011FC, HR3001C wymagany jest również element dystansowy.

Przed zamocowaniem zestawu przeciwpyłowego należy wyjąć wiertło z narzędzia, o ile jest zamontowane.

Przyłączyć element dystansowy do zestawu przeciwpyłowego. Symbol Δ na osłonie przeciwpyłowej jest wyrównany z rowkiem w elemencie dystansowym.

► **Rys.18:** 1. Element dystansowy 2. Δ symbol 3. Rowek

Założyć zestaw przeciwpyłowy z elementem dystansowym na narzędzie w taki sposób, aby symbol Δ na osłonie przeciwpyłowej wyrównał się z rowkiem w narzędziu.

► **Rys.19:** 1. Δ symbol 2. Rowek

Aby zdjąć zestaw przeciwpyłowy, wyjąć końcówkę, ciągnąc kołnierzyk uchwyty w kierunku strzałki.

► **Rys.20:** 1. Wiertło 2. Osłona uchwyty

Trzymać dolną część osłony przeciwpyłowej i wyciągnąć ją.

► **Rys.21**

Dotyczy modelu HR3012FC

Przed zamocowaniem zestawu przeciwpyłowego należy wyjąć wiertło z narzędzia, o ile jest zamontowane.

Założyć zestaw przeciwpyłowy na narzędzie w taki sposób, aby symbol Δ na osłonie przeciwpyłowej wyrównał się z wgłębieniem w narzędziu.

► **Rys.22:** 1. Δ symbol 2. Wgłębienie

Aby zdjąć zestaw przeciwpyłowy, wyjąć końcówkę, ciągnąc kołnierzyk uchwyty w kierunku strzałki.

► **Rys.23:** 1. Wiertło 2. Osłona uchwyty

Trzymać dolną część osłony przeciwpyłowej i wyciągnąć ją.

► **Rys.24**

WSKAZÓWKA: W przypadku podłączenia do osłony przeciwpyłowej odkurzacza, należy najpierw wyjąć zatyczkę.

► **Rys.25:** 1. Zatyczka

WSKAZÓWKA: Jeśli zatyczka wypadnie z osłony przeciwpyłowej, należy zamocować ją stroną z nadrukiem w górę, tak aby rowek w zatyczce pasował do wewnętrznej strony nasadki.

► **Rys.26**

Uchwyt na narzędzie

Osprzęt dodatkowy

▲ OSTRZEŻENIE: Uchwytu na narzędzie oraz śruby nie należy używać, jeśli są one uszkodzone.

▲ OSTRZEŻENIE: Należy używać wyłącznie śruby dołączonej do uchwytu na narzędzie.

▲ OSTRZEŻENIE: Przed użyciem uchwytu na narzędzie należy sprawdzić, czy nie jest on uszkodzony, pęknięty lub odkształcony oraz upewnić się, że śruba jest dokręcona.

▲ PRZESTROGA: Uchwyt na narzędzie należy zakładać lub zdejmować na stabilnym stole lub powierzchni.

Uchwyt na narzędzie służy do przyłączania pasa asekuracyjnego (linki do mocowania). Aby zamontować uchwyt na narzędzie, należy wykonać poniższe czynności.

1. Odłączyć wtyczkę od źródła zasilania.
2. Wsunąć występy uchwytu na narzędzie do otworów w narzędziu.
3. Mocno dokręcić śruby.

► **Rys.27:** 1. Uchwyt na narzędzie 2. Otwór 3. Występ 4. Śruba

POCHŁANIACZ PYŁU

Dotyczy tylko modeli HR3011FC HR3012FC

Osprzęt dodatkowy

Pochłaniacz pyłu jest przeznaczony do skutecznego zbierania pyłu podczas wiercenia w betonie.

► **Rys.28:** 1. Pochłaniacz pyłu

▲ PRZESTROGA: Przed wykonaniem jakichkolwiek prac przy narzędziu należy zawsze upewnić się, że jest ono wyłączone i odłączone od zasilania. W przeciwnym razie może dojść do jego przypadkowego uruchomienia, co grozi obrażeniami ciała.

▲ PRZESTROGA: W pochłaniaczu pyłu zawsze należy zamontować filtr. Niezastosowanie się do tego zalecenia doprowadzi do wdychania pyłu.

▲ PRZESTROGA: Należy sprawdzić, czy filtr nie jest uszkodzony. Niezastosowanie się do tego może spowodować wdychanie pyłu.

UWAGA: Nie używać pochłaniacza pyłu podczas wiercenia koronowego ani kucia. Pochłaniacz pyłu jest przeznaczony tylko do wiercenia.

UWAGA: Nie używać pochłaniacza pyłu w przypadku metalu lub drewna. Pochłaniacz pyłu jest przeznaczony tylko dla betonu.

UWAGA: Nie używać pochłaniacza pyłu podczas wiercenia w mokrym betonie; w takim przypadku należy używać zestawu do pracy w mokrych warunkach. Niezastosowanie się do tego może spowodować uszkodzenie.

WSKAZÓWKA: Pochłaniacz pyłu gromadzi wytwarzany pył ze znaczną wydajnością, ale cały pył może nie zostać zebrany.

Zakładanie i zdejmowanie pochłaniacza pyłu

UWAGA: Przed zamontowaniem pochłaniacza pyłu należy oczyścić połączenia narzędzia i pochłaniacza pyłu.

Ciała obce na połączeniach mogą utrudnić zamontowanie pochłaniacza pyłu. Szczególnie ciała obce na złączach elektrycznych mogą doprowadzić do nieprawidłowości.

Jeśli w kanale powietrza będzie znajdował się kurz, przedostanie się on do narzędzia i spowoduje zablokowanie przepływu powietrza lub uszkodzenie narzędzia.

Należy zaczepić pochłaniacz pyłu na narzędziu, a następnie wsunąć go do końca, aż do zablokowania, czemu będzie towarzyszyć dwukrotny dźwięk kliknięcia. Następnie należy upewnić się, czy pochłaniacz pyłu jest dokładnie zamontowany.

► **Rys.29:** 1. Kanał powietrza

Podczas zdejmowania pochłaniacza pyłu należy nacisnąć przycisk blokady włączenia.

► **Rys.30:** 1. Przycisk blokady włączenia

Regulacja ustawienia dyszy pochłaniacza pyłu

▲ PRZESTROGA: Podczas zwalniania dyszy przez naciśnięcie przycisku regulacji prowadnicy nie należy kierować dyszy na siebie lub na inne osoby.

Wcisnąć prowadnicę, naciskając jednocześnie przycisk regulacji prowadnicy, a następnie zwolnić przycisk regulacji prowadnicy w żądanym położeniu.

► **Rys.31:** 1. Prowadnica 2. Przycisk regulacji prowadnicy

Regulacja głębokości wiercenia na pochłaniaczu pyłu

Naciskając przycisk regulacji głębokości, przesunąć go do żądanego położenia. Odległość (A) to głębokość wiercenia.

► **Rys.32:** 1. Przycisk regulacji głębokości

Wyrzepywanie pyłu z filtra

⚠ PRZESTROGA: Nie należy obracać pokrętła na pojemniku pyłu, kiedy pojemnik pyłu jest zdjęty z pochłaniacza pyłu. Mogłoby to spowodować wdychanie pyłu.

⚠ PRZESTROGA: Podczas obracania pokrętła na pojemniku pyłu narzędzie musi być zawsze wyłączone. Obracanie pokrętła przy włączonym narzędziu może skutkować utratą kontroli nad narzędziem.

Wyrzepując pył z filtra, który znajduje w pojemniku na pył, można utrzymać wydajność odkurzacza oraz zmniejszyć częstość wyrzucania pyłu.

Trzy razy obrócić pokrętło na pojemniku na pył po zebraniu 50 000 mm³ pyłu lub po zaobserwowaniu spadku wydajności odkurzacza.

WSKAZÓWKA: 50 000 mm³ pyłu jest równe wywierceniu 10 otworów o średnicy \varnothing 10 mm i głębokości 14 mm (2 otworów o średnicy \varnothing 65" i głębokości 3/8").

► **Rys.33:** 1. Pojemnik na pył 2. Pokrętło

Usuwanie kurzu

⚠ PRZESTROGA: Podczas usuwania kurzu należy nosić maskę przeciwpyłową.

⚠ PRZESTROGA: Opróżnić pojemnik pyłu regularnie, zanim się zapelni. Niezastosowanie się do tego zalecenia może zmniejszyć wydajność pochłaniacza pyłu i spowodować wdychanie pyłu.

⚠ PRZESTROGA: Filtr należy wymienić na nowy po około 200-krotnym użyciu. Zatkany filtr zmniejsza wydajność pochłaniacza pyłu i może doprowadzić do wdychania pyłu.

UWAGA: Podczas czyszczenia filtra należy stuknąć delikatnie ręką w obudowę filtra, aby usunąć kurz. Nie stukać bezpośrednio w filtr, nie dotykać go szczołką ani podobnym narzędziem ani nie przedmuchiwać sprężonym powietrzem. Mogłoby to spowodować uszkodzenie filtra.

1. Zdjąć pojemnik pyłu, naciskając dźwignię pojemnika pyłu.

► **Rys.34:** 1. Dźwignia

2. Otworzyć pokrywę pojemnika pyłu.

► **Rys.35:** 1. Pokrywa

3. Wyrzucić pył i wyczyścić filtr.

► **Rys.36**

Wymiana filtra pojemnika pyłu

1. Zdjąć pojemnik pyłu, naciskając dźwignię pojemnika pyłu. (Patrz część dotycząca usuwania kurzu.)

2. Otworzyć pokrywę filtra pojemnika pyłu.

► **Rys.37:** 1. Pokrywa filtra

3. Wyjąć filtr z obudowy filtra.

► **Rys.38:** 1. Filtr 2. Obudowa filtra

4. Zamocować nowy filtr w obudowie filtra, a następnie założyć pokrywę filtra.

5. Zamknąć pokrywę pojemnika pyłu, a następnie dołączyć pojemnik pyłu do pochłaniacza pyłu.

Wymiana zaślepki uszczelniającej

Jeśli zaślepka uszczelniająca jest zużyta, spada wydajność pochłaniacza pyłu. Wymienić ją, gdy jest zużyta. Wyjąć zaślepkę uszczelniającą i założyć nową, występującą skierowanym w górę.

► **Rys.39:** 1. Występ 2. Zaślepka uszczelniająca

OBSŁUGA

⚠ PRZESTROGA: Zawsze używać uchwytu bocznego (rękojeści pomocniczej) i podczas pracy trzymać narzędzie mocno za uchwyt boczny i uchwyt z przełącznikiem.

⚠ PRZESTROGA: Przed rozpoczęciem pracy zawsze należy upewnić się, że materiał obrabiany jest dobrze zamocowany.

⚠ PRZESTROGA: Nie wyciągać narzędzia na siłę, nawet jeżeli wiertło się zablokuje. Utrata kontroli może spowodować obrażenia ciała.


⚠ PRZESTROGA: Dotyczy tylko modeli HR3011FC HR3012FC

Przed użyciem pochłaniacza pyłu wraz z narzędziem należy zapoznać się z punktem dotyczącym tego systemu.

► **Rys.40**

Wiercenie udarowe

⚠ PRZESTROGA: W momencie przewiercania otworu na wylot, gdy otwór jest zapchany wiórami lub opiłkami bądź w przypadku uderzenia w pręty zbrojenia znajdujące się w betonie, na narzędzie/wiertło jest wywierana nagle olbrzymia siła skręcająca. Zawsze używać uchwytu bocznego (rękojeści pomocniczej) i podczas pracy trzymać narzędzie mocno za uchwyt boczny i uchwyt z przełącznikiem. Niestosowanie się do powyższych zasad może spowodować utratę kontroli nad narzędziem i poważne obrażenia.


Pokrętło zmiany trybu pracy należy ustawić w położeniu .

Ustawić wiertło w wybranym miejscu, gdzie ma być wywierony otwór, a następnie pociągnąć za spust przełącznika. Nie przeciążać narzędzia. Lekki nacisk daje najlepsze wyniki. Trzymać narzędzie w ustalonej pozycji, uważając, aby wiertło nie wypadło z otworu.

Nie zwiększać nacisku, gdy otwór zapcha się wiórami, opiłkami lub gruzem. Zamiasz tego należy pozwolić, aby narzędzie pracowało przez chwilę bez obciążenia, a następnie wyciągnąć wiertło częściowo z otworu. Po kilkukrotnym powtórzeniu tej procedury otwór zostanie oczyszczony i będzie można wznowić wiercenie w normalny sposób.

WSKAZÓWKA: Podczas pracy narzędzia bez obciążenia może wystąpić bicie wiertła. Narzędzie automatycznie eliminuje bicie podczas pracy. Nie ma to wpływu na dokładność wiercenia.

Kucie/podkuwanie/wyburzanie

Pokrętko zmiany trybu pracy należy ustawić w położeniu . Narzędzie należy trzymać mocno oburącz. Włączyć narzędzie i lekko je dociskać, aby nie odskakiwało w sposób niekontrolowany.

Zbyt silny docisk narzędzia nie zwiększa jego skuteczności.

► Rys.41

Wiercenie otworów w drewnie lub metalu

⚠ PRZESTROGA: Gdy wiertło zaczyna przebijać na wylot otwór w obrabianym elemencie, należy zachować ostrożność i mocno trzymać narzędzie. W momencie przebijania otworu na narzędzie/wiertło wywierana jest olbrzymia siła.

⚠ PRZESTROGA: Zakleszczone wiertło można łatwo wyjąć, zmieniając kierunek obrotów i wyciągając wiertło. Należy jednak pamiętać, że narzędzie może się gwałtownie cofnąć, jeśli nie będzie mocno trzymane.

⚠ PRZESTROGA: Elementy obrabiane należy zawsze mocować w imadle lub podobnym uchwycie.

UWAGA: Nie wolno używać trybu „wiercenia udarowego”, gdy w narzędziu jest założony uchwyt wiertarski. Może to spowodować uszkodzenie uchwytu.

Ponadto uchwyt wiertarski odkręci się po włączeniu obrotów wstecznych.

UWAGA: Wywieranie nadmiernego nacisku na narzędzie nie przyspiesza wiercenia. W praktyce, wywieranie nadmiernego nacisku przyczynia się jedynie do uszkodzenia końcówki wiertła, zmniejszenia wydajności i skrócenia okresu eksploatacyjnego narzędzia.

Pokrętko zmiany trybu pracy należy ustawić w położeniu .

Dotyczy modeli HR3011FC, HR3001C

Osprzęt dodatkowy

Zamocować adapter uchwytu w bezkluczykowym uchwycie wiertarskim z gwintem 1/2"-20, a następnie zamocować uchwyt w narzędziu. Szczegóły dotyczące zakładania uchwytu, patrz punkt „Wkładanie i wyjmowanie wiertła”.

► Rys.42: 1. Uchwyt wiertarski bezkluczykowy
2. Adapter uchwytu

Dotyczy modelu HR3012FC


Jako standardowego wyposażenia należy używać szybkowymiennego uchwytu wiertarskiego. Podczas zakładania należy zapoznać się z częścią „Wymiana uchwytu szybkowymiennego SDS-plus”. Przytrzymać pierścien i przekręcić tuleję w lewo, aby otworzyć uchwyt wiertarski. Umieścić końcówkę jak najgłębiej w uchwycie. Przytrzymać mocno pierścien i przekręcić tuleję w prawo, aby dokręcić uchwyt.

► Rys.43: 1. Tuleja 2. Pierścien

W celu wyjęcia końcówki przytrzymać pierścien i obrócić tuleję w lewo.

Wiercenie z użyciem diamentowego wiertła koronowego

UWAGA: Korzystanie z trybu wiercenia udarowego, gdy używane jest diamentowe wiertło koronowe, może doprowadzić do uszkodzenia tego wiertła.

Używając diamentowego wiertła koronowego, należy zawsze ustawiać pokrętko zmiany trybu pracy w położeniu  „tylko wiercenie”.

Gruszka do przedmuchiwania

Osprzęt dodatkowy

Po wywierceniu otworu można użyć gruszki do przedmuchiwania, aby oczyścić otwór z pyłu.

► Rys.44

Użytkowanie zestawu przeciwpyłowego

Osprzęt dodatkowy

Przyłożył zestaw przeciwpyłowy do sufitu podczas używania narzędzia.

► Rys.45

UWAGA: Nie używać narzędzia z zestawem przeciwpyłowym podczas wiercenia w metalu ani innym podobnym materiale. Może spowodować to uszkodzenie zestawu przeciwpyłowego ze względu na ciepło wytwarzane przez pył metalowy itp.

UWAGA: Nie zakładać ani nie zdejmować zestawu przeciwpyłowego, gdy w narzędziu jest zamocowane wiertło. Może to spowodować uszkodzenie zestawu przeciwpyłowego i wydostawanie się pyłu.

Przyłączanie pasa asekuracyjnego (linki do mocowania) do uchwytu na narzędzie

⚠ Ostrzeżenia dotyczące prac na wysokościach
Przeczytać wszystkie ostrzeżenia i instrukcje.

Niezastosowanie się do wspomnianych ostrzeżeń i instrukcji może przyczynić się do poważnych obrażeń ciała.

1. Podczas prac na wysokościach narzędzie zawsze musi być zabezpieczone pasem asekuracyjnym. Maksymalna długość pasa asekuracyjnego wynosi 2 m. Maksymalna dopuszczalna wysokość opadania dla pasa asekuracyjnego (linki do mocowania) nie może przekraczać 2 m.
2. Należy używać wyłącznie pasów asekuracyjnych odpowiednich do narzędzi tego typu oraz o nośności co najmniej 7,5 kg.
3. Pasa asekuracyjnego nie należy mocować na żadnej części ciała ani do żadnych przedmiotów ruchomych. Pas asekuracyjny należy zamocować do konstrukcji sztywnej, która wytrzyma działanie sił wywieranych przez upuszczone narzędzie.
4. Przed rozpoczęciem korzystania z narzędzia upewnić się, że pas asekuracyjny jest poprawnie zamocowany na obu końcach.

5. Każdorazowo przed użyciem sprawdzić narzędzie i pas asekuracyjny pod kątem uszkodzeń i prawidłowego działania (w tym tkaninę oraz szwy). W przypadku stwierdzenia uszkodzeń lub nieprawidłowego działania nie używać pasa lub narzędzia.
6. Nie owijaj pasa asekuracyjnego wokół przedmiotów o ostrych lub szorstkich krawędziach. Nie dopuszczaj do kontaktu pasa z takimi przedmiotami.
7. Drugi koniec pasa asekuracyjnego zamocować poza obszarem roboczym, aby upadające narzędzie zostało bezpiecznie zatrzymane.
8. Pas asekuracyjny zamocować w taki sposób, aby upadające narzędzie poruszało się z dala od operatora. Upadające narzędzia będą się kołysać na pasie asekuracyjnym, co może spowodować obrażenia lub utratę równowagi.
9. Nie zbliżaj się do poruszających się części ani uruchomionych narzędzi. Nieprzestrzeganie tego zalecenia może spowodować zagrożenie związane z uderzeniem lub wciągnięciem przez poruszające się części.
10. Narzędzia nie należy przenosić, trzymając za element do mocowania pasa ani za pas asekuracyjny.
11. Narzędzie można przenosić wyłącznie oburącz, utrzymując równowagę ciała.
12. Nie mocować pasa asekuracyjnego na narzędziu w sposób uniemożliwiający poprawne działanie przełączników lub blokady spustu (jeśli wyposażono w nią narzędzie).
13. Zachować ostrożność, aby nie zaplątać się w pas asekuracyjny.
14. Pas asekuracyjny trzymać z dala od obszaru wiercenia narzędziem.
15. Używać karabińczyków zakręcanych lub z wielokrotnymi blokadami. Nie używać karabińczyków sprężynowych samozamykających.
16. Jeśli narzędzie upadnie, należy je oznakować i wyłączyć z eksploatacji. Musi zostać sprawdzone w zakładzie produkcyjnym Makita lub autoryzowanym centrum serwisowym Makita.

► Rys.46: 1. Uchwyt na narzędzie 2. Pas asekuracyjny (linka do mocowania)

KONSERWACJA

⚠ PRZESTROGA: Przed przystąpieniem do przeglądu narzędzia lub jego konserwacji upewnij się, że jest ono wyłączone i odłączone od zasilania.

UWAGA: Nie stosować benzyny, rozpuszczalników, alkoholu itp. środków. Mogą one powodować odbarwienia, odkształcenia lub pęknięcia.

W celu zachowania odpowiedniego poziomu BEZPIECZEŃSTWA i NIEZAWODNOŚCI produktu wszelkie naprawy i różnego rodzaju prace konserwacyjne lub regulacje powinny być przeprowadzane przez autoryzowany lub fabryczny punkt serwisowy narzędzi Makita, zawsze z użyciem oryginalnych części zamiennych Makita.

AKCESORIA OPCJONALNE

⚠ PRZESTROGA: Zaleca się stosowanie wymienionych akcesoriów i przystawek razem z narzędziem Makita opisanym w niniejszej instrukcji. Stosowanie innych akcesoriów lub przystawek może być przyczyną obrażeń ciała. Akcesoria lub przystawki należy wykorzystywać tylko zgodnie z ich przeznaczeniem.

W razie potrzeby wszelkiej pomocy i szczegółowych informacji na temat niniejszych akcesoriów udzieli Państwu lokalne punkty serwisowe Makita.

- Wiertła z końcówką widiową (wiertła SDS-Plus z końcówką widiową)
- Wiertło koronowe
- Punktak
- Diamentowe wiertło koronowe
- Przecinak do pracy na zimno
- Dłuto do skuwania
- Dłuto do rowków
- Adapter uchwytu
- Uchwyt wiertarski bezkluczykowy
- Smar do wiertła
- Ogranicznik głębokości
- Gruszka do przedmuchiwania
- Osłona przeciwypyłowa
- Zestaw przeciwypyłowy
- Element dystansowy (dotyczy modelu HR3011FC, HR3001C)
- Pochłaniacz pyłu (dotyczy modeli HR3011FC, HR3012FC)
- Gogle ochronne
- Uchwyt na narzędzie

WSKAZÓWKA: Niektóre pozycje znajdujące się na liście mogą być dołączone do pakietu narzędziowego jako akcesoria standardowe. Mogą to być różne pozycje, w zależności od kraju.

RÉSZLETES LEÍRÁS

| Típus: | | HR3011FC | HR3012FC | HR3001C |
|------------------------|--------------------------------|-----------------------------|--------------|--------------|
| Teljesítmény | Beton | 30 mm | | |
| | Magfúró | 80 mm | | |
| | Gyémánt magfúró (száraz típus) | 80 mm | | |
| | Acél | 13 mm | | |
| | Fa | 32 mm | | |
| Üresjárat fordulatszám | | 0 – 840 min ⁻¹ | | |
| Lökésszám percenként | | 0 – 4 500 min ⁻¹ | | |
| Teljes hossz | | 369 mm | 386 mm | 369 mm |
| Nettó tömeg | | 4,4 – 4,8 kg | 4,5 - 4,7 kg | 4,1 – 4,5 kg |
| Biztonsági osztály | | □/II | | |

Opcionális kiegészítő

| Típus: | DX10 (HR3011FC esetén) | DX11 (HR3012FC esetén) |
|---------------------------------------|--|------------------------|
| Alkalmas munkadarabok és működésmódok | csak betonfúráshoz (nem fémhez vagy fához, illetve magfúráshoz vagy véséshez) | |
| Szívóteljesítmény | 0,35 l/min | |
| Működési útés | 190 mm-ig | |
| Alkalmazható fúróhegy | 265 mm-ig | |
| Nettó tömeg | 1,2 kg | |

- Folyamatos kutató- és fejlesztőprogramunk eredményeként az itt felsorolt tulajdonságok figyelmeztetés nélkül megváltozhatnak.
- A tulajdonságok országról országra különbözhetnek.
- A súly a felszerelt tartozék(ok)tól függően változhat. Az EPTA 01/2014 eljárás szerint meghatározott legnehezebb, illetve legkönnyebb kombináció a táblázatban látható.

Rendeltetés

A szerszám téglá, beton és kő ütvefúrására és fúrására, valamint vésési munkák végzésére használható. Emellett ütés nélküli fúrásra fa, fém, kerámia és műanyag esetében.

Tápfeszültség

A szerszámot kizárólag olyan egyfázisú, váltóáramú hálózatra szabad kötni, amelynek feszültsége meg egyezik az adattábláján szereplő feszültséggel. A szerszám kettős szigetelésű, ezért földelővezeték nélküli aljzatról is működtethető.

Zaj

A tipikus A-súlyozású zajszint, a EN60745-2-6 szerint meghatározva:

HR3011FC típus

Hangnyomásszint (L_{pA}): 94 dB(A)
 Hangteljesítményszint (L_{WA}): 105 dB (A)
 Bizonytalanság (K): 3 dB(A)

HR3012FC típus

Hangnyomásszint (L_{pA}): 93 dB(A)
 Hangteljesítményszint (L_{WA}): 104 dB (A)
 Bizonytalanság (K): 3 dB(A)

HR3001C típus

Hangnyomásszint (L_{pA}): 94 dB(A)
 Hangteljesítményszint (L_{WA}): 105 dB (A)
 Bizonytalanság (K): 3dB(A)

HR3011FC típus DX10-el

Hangnyomásszint (L_{pA}): 96 dB(A)
 Hangteljesítményszint (L_{WA}): 107 dB (A)
 Bizonytalanság (K): 3 dB(A)

HR3012FC típus DX11-el

Hangnyomásszint (L_{pA}): 94 dB (A)
 Hangteljesítményszint (L_{WA}): 105 dB (A)
 Bizonytalanság (K): 3 dB (A)

MEGJEGYZÉS: A zajkibocsátás értéke a szabványos vizsgálati eljárásnak megfelelően lett mérve, és segítségével az elektromos kéziszerszámok összehasonlíthatók egymással.

MEGJEGYZÉS: A zajkibocsátás értékének segítségével előzetesen megbecsülhető a rezgésnek való kitettség mértéke.

▲ FIGYELMEZTETÉS: Viseljen fülvédőt!

▲ FIGYELMEZTETÉS: A szerszám zajkibocsátása egy adott alkalmazásnál eltérhet a megadott értéktől a használat módjától, különösen a feldolgozott munkadarab fajtájától függően.

▲ FIGYELMEZTETÉS: Határozza meg a kezelő védelmét szolgáló munkavédelmi lépéseket, melyek az adott munkafeltételek melletti vibrációs hatás becsült mértékén alapulnak (figyelembe véve a munkaciklus elemeit, mint például a gép leállításának és üresjáratának mennyiségét az elindítások száma mellett).

Vibráció

A következő táblázat a vibráció összértékét (háromtengelyű vektorösszeg) mutatja, amelyet a vonatkozó szabványoknak megfelelően határoztak meg.

Típus: HR3011FC

| Üzem mód | Rezgéskibocsátás | Bizonytalan-ság (K) | Hatályos szabvány |
|--|----------------------|----------------------|-------------------|
| Beton ütvefúrása ($a_{h, HD}$) | 9,5 m/s ² | 1,5 m/s ² | EN60745-2-6 |
| Beton ütvefúrása DX10-tel ($a_{h, HD}$) | 9,5 m/s ² | 1,5 m/s ² | EN60745-2-6 |
| Vésési funkció oldalmarkolat-tal ($a_{h, Chex}$) | 6,0 m/s ² | 1,5 m/s ² | EN60745-2-6 |
| Fém fúrása ($a_{h, D}$) | 5,5 m/s ² | 1,5 m/s ² | EN62841-2-1 |

Típus: HR3012FC

| Üzem mód | Rezgéskibocsátás | Bizonytalan-ság (K) | Hatályos szabvány |
|--|----------------------|----------------------|-------------------|
| Beton ütvefúrása ($a_{h, HD}$) | 9,5 m/s ² | 1,5 m/s ² | EN60745-2-6 |
| Beton ütvefúrása DX11-tel ($a_{h, HD}$) | 8,0 m/s ² | 1,5 m/s ² | EN60745-2-6 |
| Vésési funkció oldalmarkolat-tal ($a_{h, Chex}$) | 5,5 m/s ² | 1,5 m/s ² | EN60745-2-6 |
| Fém fúrása ($a_{h, D}$) | 6,0 m/s ² | 1,5 m/s ² | EN62841-2-1 |

Típus: HR3001C

| Üzem mód | Rezgéskibocsátás | Bizonytalan-ság (K) | Hatályos szabvány |
|--|-----------------------|----------------------|-------------------|
| Beton ütvefúrása ($a_{h, HD}$) | 13,5 m/s ² | 1,5 m/s ² | EN60745-2-6 |
| Vésési funkció oldalmarkolat-tal ($a_{h, Chex}$) | 11,0 m/s ² | 1,5 m/s ² | EN60745-2-6 |
| Fém fúrása ($a_{h, D}$) | 6,0 m/s ² | 1,5 m/s ² | EN62841-2-1 |

MEGJEGYZÉS: A rezgés teljes értéke a szabványos vizsgálati eljárásnak megfelelően lett mérve, és segítségével az elektromos kéziszerszámok összehasonlíthatók egymással.

MEGJEGYZÉS: A rezgés teljes értékének segítségével előzetesen megbecsülhető a rezgésnek való kitettség mértéke.

▲ FIGYELMEZTETÉS: A szerszám rezgéskibocsátása egy adott alkalmazásnál eltérhet a megadott értéktől a használat módjától, különösen a feldolgozott munkadarab fajtájától függően.

▲ FIGYELMEZTETÉS: Határozza meg a kezelő védelmét szolgáló munkavédelmi lépéseket, melyek az adott munkafeltételek melletti vibrációs hatás becsült mértékén alapulnak (figyelembe véve a munkaciklus elemeit, mint például a gép leállításának és üresjáratának mennyiségét az elindítások száma mellett).

EK Megfelelőségi nyilatkozat

Csak európai országokra vonatkozóan

Az EK-megfelelőségi nyilatkozat az útmutató „A” mellékletében található.

BIZTONSÁGI FIGYELMEZTETÉS

A szerszámgépekre vonatkozó általános biztonsági figyelmeztetések

▲ FIGYELMEZTETÉS: Olvassa el a szerszámgéphez mellékelt összes biztonsági figyelmeztetést, utasítást, illusztrációt és a műszaki adatokat. A következőkben leírt utasítások figyelmen kívül hagyása elektromos áramütést, tüzet és/vagy súlyos sérülést eredményezhet.

Őrizzen meg minden figyelmeztetést és utasítást a későbbi tájékozódás érdekében.

A figyelmeztetésekből szereplő "szerszámgép" kifejezés az Ön hálózatról (vezetékes) vagy akkumulátorról (vezeték nélküli) működtetett szerszámgépére vonatkozik.

A FÚRÓKALAPÁCSRA VONATKOZÓ BIZTONSÁGI FIGYELMEZTETÉSEK

1. **Viseljen fűlvédőt.** A zajterhelés halláskárosodást okozhat.
2. **Használja a szerszámhoz mellékelt kiegészítő fogantyúkat.** Az irányítás elvesztése személyi sérülést okozhat.
3. **A szerszámot a szigetelő fogófelületeinél fogja olyan műveletek végzésekor, amikor fennáll a veszélye, hogy a vágóeszköz rejtett vezetőekkel vagy a szerszám tápkábelével érintkezhet.** Áram alatt lévő vezetőekkel való érintkezéskor a szerszám fém alkatrészei is áram alá kerülhetnek, és megrázhathják a kezelőt.
4. **Viseljen védősisakot, védőszemüveget és/ vagy arcvédőt. A normál szemüvegek és a nap-szemüvegek NEM védőszemüvegek.** Emellett különösen javasolt porvédő maszk és vastag kesztyű használata is.
5. **A használat megkezdése előtt ellenőrizze, hogy a vésőszerszám rögzítve van-e.**
6. **A szerszám úgy lett tervezve, hogy normál működés során rezegésbe jöjjön. A csavarok könnyen meglazulhatnak, meghibásodást vagy balesetet okozva. A használat előtt gondosan ellenőrizze a csavarok szorosságát.**
7. **Hideg időben, vagy ha hosszabb ideig nem használta, terhelés nélkül működtetve hagyja, hogy a szerszám bemelegedjen. Ezáltal felenged a kenőanyag. Megfelelő bemelegítés nélkül a vésési művelet nehézkes.**
8. **Mindig stabil helyzetben dolgozzon. A szerszám magasban történő használatkor győződjön meg arról, hogy nem tartózkodnak-e valaki odalent.**
9. **Szilárdan tartsa a szerszámot mindkét kezével.**
10. **Tartsa távol a kezét a mozgó alkatrészekről.**
11. **Ne hagyja a működő szerszámot felügyelet nélkül. Csak kézben tartva használja a szerszámot.**
12. **Ne fordítsa a szerszámot a munkaterületen tartózkodó személyek felé működés közben. A fűróhegy kirepülhet, és valakit súlyosan megsebesíthet.**
13. **Ne érjen a fűróhegyhez, az ahhoz közeli alkatrészekhez vagy a munkadarabhoz közvetlenül a munkavégzést követően; azok rendkívül forrók lehetnek és megégethetik a bőrt.**
14. **Egyes anyagok mérgező vegyületet tartalmazhatnak. Gondoskodjon a por belélegzése elleni és érintés elleni védelemről. Tartsa be az anyag szállítójának biztonsági utasításait.**
15. **Ne érjen vizes kézzel a hálózati csatlakozóhoz.**

ŐRIZZE MEG EZEKET AZ UTASÍTÁSOKAT.

FIGYELMEZTETÉS: NE HAGYJA, hogy (a termék többszöri használatából eredő) kényelem és megszokás váltsa fel a termék biztonsági előírásainak szigorú betartását. A **HELYTELEN HASZNÁLAT** és a használati útmutatóban szereplő biztonsági előírások megszegése súlyos személyi sérülésekhez vezethet.

A MŰKÖDÉS LEÍRÁSA

VIGYÁZAT: Mielőtt ellenőrzi vagy beállítja, mindig bizonyosodjon meg róla, hogy a szerszámot kikapcsolta és a hálózatról lecsatlakoztatta.

A kapcsoló használata

VIGYÁZAT: A szerszám hálózatra csatlakoztatása előtt mindig ellenőrizze hogy a kapcsológomb megfelelően mozog és visszatér a kikapcsolt (OFF) állapotba elengedése után.

A szerszám bekapcsolásához húzza meg a kapcsológombot. Ha erősebben nyomja a kapcsológombot, a szerszám fordulatszáma növekszik. A megállításhoz engedje el a kapcsológombot.

► **Ábra1:** 1. Kapcsológomb

Az előlő lámpa bekapcsolása

Csak **HR3011FC HR3012FC** esetén

VIGYÁZAT: Ne tekintsen a fénybe vagy ne nézze egyenesen a fényforrást.

A lámpa bekapcsolásához húzza meg a kapcsológombot. A kikapcsolásához engedje el a kapcsológombot.

► **Ábra2:** 1. Lámpa

MEGJEGYZÉS: Száraz ruhadarabbal törölje le a szennyeződést a lámpa lencséjéről. Ügyeljen arra hogy ne karcolja meg a lámpa lencséjét, ez csökkentheti a megvilágítás erősségét.

Forgásirányváltó kapcsolókar működése

VIGYÁZAT: Használat előtt mindig ellenőrizze a beállított forgásirányt.

VIGYÁZAT: A forgásirányváltó kapcsolókart csak azután használja, hogy a szerszám teljesen megállt. A forgásirány megváltoztatása a szerszám leállása előtt a gép károsodását okozhatja.

MEGJEGYZÉS: A forgásirány váltásakor gondoskodjon róla, hogy teljesen állítsa át a forgásirányváltó kapcsolót az A oldalról a B oldalra. Máskülönben a kapcsológomb meghúzásakor előfordulhat, hogy a motor nem forog vagy a szerszám nem működik rendszeren.

Ez a szerszám forgásirányváltó kapcsolóval van felszerelve a forgásirány megváltoztatásához. Mozgassa az forgásirányváltó kapcsolókat az A oldal pozícióba az óramutató járásával megegyező vagy a B oldal pozícióba az azzal ellentétes irányú forgáshoz.

► **Ábra3:** 1. Forgásirányváltó kapcsolókar



Az SDS-plus gyorstokmány cseréje

Csak HR3012FC esetén

Az SDS-plus gyorstokmány egyszerűen kicserélhető a gyorsbefogó fúrótokmányra.




Az SDS-plus gyorstokmány eltávolítása

VIGYÁZAT: Az SDS-plus gyorstokmány eltávolítása előtt mindig távolítsa el a fűróhegyet.

Markolja meg az SDS-plus gyorstokmány váltófedelét, és fordítsa a nyíl irányába addig, amíg a váltófedel vonala a  jelöléstől a  jelölésig ér. Erősen húzza meg a nyíl irányába.

► **Ábra4:** 1. SDS-plus gyorstokmány 2. Váltófedel 3. Váltófedel vonala

A gyorsbefogó fúrótokmány felszerelése

Győződjön meg arról, hogy a gyorsbefogó fúrótokmány vonala a  jelölésnél áll. Markolja meg a gyorsbefogó fúrótokmány váltófedelét, és állítsa a vonalát a  jelöléshez. Helyezze a gyorsbefogó fúrótokmányt a szerszám orsójára. Markolja meg a gyorsbefogó fúrótokmány váltófedelét, és fordítsa a váltófedel vonalát a  jelöléshez, amíg egy kattánást nem hall.


► **Ábra5:** 1. Gyorsbefogó fúrótokmány 2. Orsó 3. Váltófedel vonala 4. Váltófedel

A működési mód kiválasztása

MEGJEGYZÉS: Ne fordítsa el a működési mód váltó gombot, ha a szerszám működik. A szerszám károsodna.


MEGJEGYZÉS: A működési mód váltó mechanizmus gyors kopásának elkerülése érdekében ügyeljen arra, hogy a működési mód váltó gomb mindig teljesen a három működési módnak megfelelő pozíció egyikében legyen.

Ütvefúrás

Beton, fal stb. fúrásakor forgassa a működési mód váltó gombot a  jelöléshez. Használjon volfrám-karbid végű fűróhegyet.


► **Ábra6:** 1. Ütvefúrás 2. Működési mód váltó gomb

Csak fúrás

Fa, fém vagy műanyag fúrásához forgassa a működési mód váltó gombot a  jelöléshez. Csigafúró fűróhegyet vagy fafúró fűróhegyet használjon.

► **Ábra7:** 1. Csak fúrás

Csak vésés

Vésési, kaparási vagy bontási műveletekhez forgassa a működési mód váltó gombot a  jelöléshez. Használjon fűrórudat, bontóvésőt, kaparóvésőt stb.

► **Ábra8:** 1. Csak vésés

Nyomatékhatalról

MEGJEGYZÉS: Amint a nyomatékhatalról bekapcsol, azonnal kapcsolja ki a szerszámot. Ez segít a szerszám idő előtti elhasználódásának megelőzésében.

MEGJEGYZÉS: Az olyan fűróhegyek, mint például a lyukfűrés, amely hajlamos megszorulni, nem használható ehhez a szerszámmal. Ennek oka az, hogy az ilyen száraz a nyomatékhatalról túl gyakran hozzák működésbe.

A nyomatékhatalról akkor lép működésbe, amikor a szerszám elér egy bizonyos nyomatékszintet. A motor lekapcsolódik a kimenőtengelyről. Ha ez megtörténik, a fűróhegy forgása megáll.

Elektronikus funkció

A szerszámot a könnyebb használat érdekében elektronikus funkciókkal szerelték fel.

- Állandó fordulatszám-szabályozás
A fordulatszám-szabályozó funkció a terhelési körülményektől függetlenül állandó fordulatszámot biztosít.

Légcsatorna

Csak HR3011FC HR3012FC esetén

VIGYÁZAT: Ne tegye az újít a légcsatornába, és ne nyomjon semmilyen más tárgyat a légcsatornába. Mäskülönben megsérülhet vagy a szerszám károsodhat.

A légcsatorna a porgyűjtő rendszerrel való csatlakozásra szolgál. A porgyűjtő rendszer használata esetén olvassa el a porgyűjtő rendszerről szóló részt.

► **Ábra9:** 1. Légcsatorna

ÖSSZESZERELÉS

VIGYÁZAT: Mielőtt bármilyen munkát végezne rajta, mindig bizonyosodjon meg arról, hogy a szerszámot kikapcsolta és a hálózatról lecsatlakoztatta.

Oldalmarkolat (kisegítő fogantyú)

VIGYÁZAT: Mindig használja az oldalmarkolatot a biztonságos használat érdekében.

VIGYÁZAT: Az oldalmarkolat felszerelése vagy igazítása után mindig ellenőrizze, hogy az elem megfelelően rögzült-e.

Az oldalmarkolat felszereléséhez kövesse az alábbi lépéseket.

1. Lazítsa meg a marokcsavart az oldalmarkolaton.
► **Ábra10:** 1. Marokcsavar

2. Az oldalmarkolatot úgy csatlakoztassa a marokcsavar megnyomásával, hogy a markolaton lévő barázák beilleszkedjenek a szerszám orsónyákán található kiemelkedések közé.
► **Ábra11:** 1. Marokcsavar

3. Húzza meg a marokcsavart a markolat rögzítéséhez. A markolat a kívánt szögben rögzíthető.

Kenőzsír

Használat előtt kenjen kis mennyiségű zsírt a fúróhegy tokmány felőli végére (kb. 0,5–1 g-ot).

A tokmány ilyen kenése akadálymentes működést és hosszabb élettartamot biztosít.

A fúróhegy behelyezése és eltávolítása

Behelyezés előtt tisztítsa meg a fúróhegy tokmány felőli oldalát, majd vigyen fel rá zsírt.

► **Ábra12:** 1. Tokmány felőli oldal 2. Kenőzsír

Helyezze a fúróhegyet a tokmányba. Forgassa el a fúróhegyet, majd rögzülésig nyomja be.

A behelyezés után próbálja kihúzni a fúróhegyet annak ellenőrzésére, hogy biztosan rögzítve van-e.

► **Ábra13:** 1. Fúróhegy

A fúróhegy eltávolításához húzza le teljesen a tokmány fedelét, és húzza ki a fúróhegyet.

► **Ábra14:** 1. Fúróhegy 2. Tokmányfedél

A véső szöge (véséshez, kaparáshoz vagy bontáshoz)

A véső a kívánt szögben rögzíthető. A véső szögbeállításának módosításához fordítsa a működési mód váltó gombot a O jelhez. Fordítsa a vésőt a kívánt szögbe.

► **Ábra15:** 1. Működési mód váltó gomb

Fordítsa a működési mód váltó gombot a T jelöléshez. Ezután a vésőt kissé elfordítva ellenőrizze, hogy megfelelően rögzítve van-e.

Mélységmérce

A mélységmérőt pálcá segítségével egyforma mélységű furatok készíthetők.

Nyomja be és tartsa lenyomva a reteszelőgombot, majd illessze a mélységmérőt pálcát a hatszögletű lyukba.

Győződjön meg róla, hogy a mélységmérőt pálcá foga-zott oldala a jelölés felé fordul.

► **Ábra16:** 1. Mélységmérő 2. Reteszelőgomb
3. Jelölés 4. Fogazott oldal

Állítsa be a mélységmérőt úgy, hogy előre és hátrafelé mozgatja azt, miközben megnyomja a reteszelőgombot. A beállítás után engedje fel a reteszelőgombot hogy a mélységmérőt rögzítse.

MEGJEGYZÉS: A mélységmérő rögzítésekor győződjön meg róla, hogy a mélységmérő nem ér hozzá a géptesthez.

Porfogó

Opcionális kiegészítők

Használja a porfogót annak megelőzésére, hogy a por a fúróra vagy Önre hulljon, amikor a feje fölött végez munkát. Csatlakoztassa a porfogót a hegyhez az ábrán látható módon. A szerszámok mérete, amelyekhez a porfogó csatlakoztatható, a következő.

| Típus | Betét átmérője |
|-----------|----------------|
| Porfogó 5 | 6 mm – 14,5 mm |
| Porfogó 9 | 12 mm – 16 mm |

► **Ábra17:** 1. Porfogó

Porfogókészlet

Opcionális kiegészítők

A HR3011FC, HR3001C típusokhoz

MEGJEGYZÉS: Ha használják a porfogókészletet a következőkben: HR3011FC, HR3001C, szükséges a távtartó is.

Ha az oldalmarkolat fel van szerelve a szerszámra, távolítsa el azt a porfogókészlet felszerelése előtt. Rögzítse a távtartót a porfogókészlethez. A porfogón lévő Δ jelölés a távtartón lévő vájathoz van igazítva.

► **Ábra18:** 1. Távtartó 2. Δ jelölés 3. Vájat

A porfogókészletet és a távtartót úgy szerelje fel, hogy a porfogón található Δ jelölés egy vonalban legyen a szerszámon található vájattal.

► **Ábra19:** 1. Δ jelölés 2. Vájat

A porfogókészlet eltávolításához távolítsa el a fúróhegyet, és közben húzza a tokmányfedelel a nyíl irányába.

► **Ábra20:** 1. Betét 2. Tokmányfedél

Fogja meg a porfogó alsó részét, és húzza ki.

► **Ábra21**

A HR3012FC típushoz

Ha az oldalmarkolat fel van szerelve a szerszámmra, távolítsa el azt a porfogókészlet felszerelése előtt.

A porfogókészletet úgy szerelje fel, hogy a porfogón található Δ jelölés egy vonalban legyen a szerszámon található vájattal.

► **Ábra22:** 1. Δ jelölés 2. Vájat

A porfogókészlet eltávolításához távolítsa el a fúróhegyet, és közben húzza a tokmányfedelel a nyíl irányába.

► **Ábra23:** 1. Betét 2. Tokmányfedél

Fogja meg a porfogó alsó részét, és húzza ki.

► **Ábra24**

MEGJEGYZÉS: Ha porszívót szeretne csatlakoztatni a porfogókészlethez, csatlakoztatás előtt távolítsa el a porfogót.

► **Ábra25:** 1. Porfogó sapka

MEGJEGYZÉS: Ha a sapka leesik a porfogóról, úgy szerelje vissza, hogy a nyomott fele nézzen felfelé, és a sapkán található barázda illeszkedjen a tartozék széléhez.

► **Ábra26**

Akaszto kapocs

Opcionális kiegészítők

FIGYELMEZTETÉS: Ne használjon sérült akaszto kapcsot és csavart.

FIGYELMEZTETÉS: Csak az akaszto kapocs-hoz biztosított csavart használja.

FIGYELMEZTETÉS: Az akaszto kapocs használata előtt mindig ellenőrizze, nincsenek-e sérülések, repedések vagy deformálódások, és győződjön meg róla, hogy a csavart meghúzták.

⚠ VIGYÁZAT: Az akasztókapcsot stabil asztalon vagy felületen szerelje fel vagy távolítsa el.

Az akasztókapocs a rögzítőkötél (heveder) csatlakoztatására szolgál. Az akasztókapocs felszereléséhez a szerszámra kövesse az alábbi lépéseket.

1. Húzza ki a dugót a tápegységből.
 2. Illessze az akasztókapocs nyúlványait a szerszám-mon található furatokba.
 3. Húzza meg szorosan a csavarokat.
- ▶ **Ábra27:** 1. Akasztókapocs 2. Furat 3. Nyúlvány 4. Csavar

PORGYÚJTÓ RENDSZER

Csak HR3011FC HR3012FC esetén

Opcionális kiegészítő

A porgyújtó rendszert arra tervezték, hogy hatékonyan összegyűjtse a port a betonfúrási művelet során.

- ▶ **Ábra28:** 1. Porgyújtó rendszer

⚠ VIGYÁZAT: Mielőtt bármilyen munkát végezne rajta, bizonyosodjon meg arról, hogy a szerszámot kikapcsolta, és a hálózatról lecsatlakoztatta. Ha nem így tesz, az véletlenül elindulhat, és személyi sérülést okozhat.

⚠ VIGYÁZAT: Mindig csatlakoztassa a szűrőt a porgyújtó rendszerhez. Ennek elmulasztása porbelégzést okoz.

⚠ VIGYÁZAT: Ellenőrizze, hogy a szűrő ne legyen sérült. Ennek elmulasztása porbelégzést okozhat.

MEGJEGYZÉS: Ne használja a porgyújtó rendszert magfúráshoz vagy véséshez. A porgyújtó rendszert kizárólag fúráshoz szolgál.

MEGJEGYZÉS: Ne használja a porgyújtó rendszert fém vagy fa esetén. A porgyújtó rendszert kizárólag betonhoz szolgál.

MEGJEGYZÉS: Ne használja a porgyújtó rendszert nedves beton fúráshoz, és ne használja a rendszert nedves környezetben. Ennek elmulasztása meghibásodást okozhat.

MEGJEGYZÉS: A porgyújtó rendszer nagy sebességgel gyűjti a keletkezett port, de nem képes az összes port összegyűjteni.

A porgyújtó rendszer felszerelése és eltávolítása

MEGJEGYZÉS: A porgyújtó rendszer csatlakoztatása előtt tisztítsa meg a szerszám és a porgyújtó rendszer csatlakozó részeit.

A csatlakozó részekben található idegen anyagok megnehezíthetik a porgyújtó rendszer felszerelését. Különösen az elektromos interfészen található idegen anyagok okozhatnak meghibásodást.

Ha por marad a légcsatornában, a por bekerül a szerszámba, és akadályozza a légáramlást vagy a szerszám meghibásodását okozza.

Ákassza a porgyújtó rendszert a szerszámra, majd nyomja be a porgyújtó rendszert egészen addig, amíg egy kis dupla kattánással a helyére nem rögzül. Ezután győződjön meg róla, hogy a porgyújtó rendszer biztonságosan van felszerelve.

▶ **Ábra29:** 1. Légcsatorna

A porgyújtó rendszer eltávolításakor nyomja meg a kireteszelőgombot.

- ▶ **Ábra30:** 1. Kireteszelőgomb

A porgyújtó rendszer fűvókája helyzetének beállítása

⚠ VIGYÁZAT: Ne irányítsa a fűvókát saját magára vagy másokra, amikor a vezetőbeállító gomb megnyomásával kiengedi a fűvókát.

Tartsa lenyomva a vezetőbeállító gombot, és tolja befelé a vezetőt, majd a kívánt pozíciónál engedje fel a vezetőbeállító gombot.

- ▶ **Ábra31:** 1. Zetető 2. Zetetőbeállító gomb

A porgyújtó rendszer fúrás mélységének beállítása

Tartsa lenyomva a mélységbeállító gombot, és csúsztassa a kívánt pozícióba. Az (A) távolság a fúrás mélység.

- ▶ **Ábra32:** 1. Mélységbeállító gomb

A por leverése a szűrőről

⚠ VIGYÁZAT: Ne fordítsa el a porgyújtón lévő tárcsát, amíg a porgyújtó ki van véve a porgyújtó rendszerből. Ha így tesz, az porbelégzést okozhat.

⚠ VIGYÁZAT: Mindig kapcsolja ki a szerszámot, ha elfordítja a porgyújtón lévő tárcsát. A tárcsa elfordítása a szerszám működése közben azt eredményezheti, hogy elveszíti az uralmát a szerszám felett.

Ha leveri a port a porgyújtó doboz belsejében lévő szűrőről, megőrizheti a szívás hatékonyságát, és csökkentheti a porűrítések számát is.

Forgassa el a porgyújtó dobozon lévő tárcsát háromszor minden 50 000 mm³ por összegyűjtése után, vagy amikor úgy érzi, hogy a szívási teljesítmény csökken.

MEGJEGYZÉS: 50 000 mm³ por megfelel 10 darab $\varnothing 10$ mm-es, 14 mm mély (2 darab $\varnothing 65$ -es, 3/8" mély) lyuk fúrásának.

- ▶ **Ábra33:** 1. Porgyújtó doboz 2. Tárcsa

A por kiürítése

⚠ VIGYÁZAT: A por kiürítése során viseljen pormaszkot.

⚠ VIGYÁZAT: Rendszeresen ürítse ki a porgyújtót, mielőtt az teljesen megtelne. Ennek elmulasztása a porgyűjtési teljesítmény romlását, majd a por belégzését okozhatja.

⚠ VIGYÁZAT: A porgyújtó körülbelül 200 megtelése után cserélje ki a szűrőt. Az eltömődött szűrő csökkenti a porgyűjtési teljesítményt, majd a por belégzését okozhatja.

MEGJEGYZÉS: A szűrő tisztításakor ütögesse meg finoman kézzel a szűrőházat, hogy eltávolítsa a port. Ne ütögesse közvetlenül a szűrőt, ne érjen a szűrőhöz kefével vagy hasonló eszközzel, és ne fújjon sűrített levegőt a szűrőre. Ha így tesz, az károsíthatja a szűrőt.

1. Nyomja le a porgyűjtő karját, majd távolítsa el a porgyűjtőt.
▶ **Ábra34:** 1. Kar
2. Nyissa ki a porgyűjtő fedelét.
▶ **Ábra35:** 1. Fedél
3. Űritse ki a port, majd tisztítsa ki a szűrőt.
▶ **Ábra36**

A porgyűjtő szűrőjének cseréje

1. Nyomja le a porgyűjtő karját, majd távolítsa el a porgyűjtőt. (Lásd a por kiürítéséről szóló részt.)
2. Nyissa ki a porgyűjtő szűrőfedelét.
▶ **Ábra37:** 1. Szűrőfedél
3. Vegye ki a szűrőt a szűrőházból.
▶ **Ábra38:** 1. Szűrő 2. Szűrőház
4. Csatlakoztasson egy új szűrőt a szűrőházhoz, majd csatlakoztassa a szűrőfedeleet.
5. Zárja le a porgyűjtő fedelét, majd csatlakoztassa a porgyűjtőt a porgyűjtő rendszerhez.

A szigetelősapka cseréje

Ha a szigetelősapka elkopott, romlik a porgyűjtési teljesítmény. Ha elkopott, cserélje ki. Távolítsa el a szigetelősapkát, majd csatlakoztasson egy újat úgy, hogy a kiemelkedő része előre nézzen.
▶ **Ábra39:** 1. Kiemelkedés 2. Szigetelősapka

MŰKÖDTETÉS

⚠VIGYÁZAT: Mindig használja az oldalmarkolatot (kisegítő markolat), és tartsa erősen a szerszámot mind az oldalmarkolattal, mind a kapcsolós fogantyúval a munka során.

⚠VIGYÁZAT: A szerszám működtetése előtt mindig győződjön meg a munkaterület biztonságáról.


⚠VIGYÁZAT: Akkor se próbálja erővel kifeszíteni a szerszámot ha a fűrőhegy beszorul. Az irányítás elvesztése sérülést okozhat.

⚠VIGYÁZAT: Csak HR3011FC HR3012FC esetén A porgyűjtő rendszer szerszámmal történő használata előtt olvassa el a porgyűjtő rendszerről szóló részt.

▶ **Ábra40**

Ütvefűrés mód


⚠VIGYÁZAT: Hatalmas és hirtelen érkező csavaróerő hat a szerszáma/fűrőhegyre a furat áttörésének pillanatában, amikor a furat eltömődik forgáccsal és szemcsékkel, vagy amikor eltalálja a betonba ágyazott merevítőrudakat. **Mindig használja az oldalmarkolatot (kisegítő markolat), és tartsa erősen a szerszámot mind az oldalmarkolattal, mind a kapcsolós fogantyúval a munka során.** Ennek elmulasztása a szerszám feletti uralom elvesztését, és komoly személyi sérüléseket okozhat.

Állítsa a működési mód váltó gombot a  jelöléshez. Állítsa a fűrőhegyet a furat tervezett helyére, és húzza meg a kapcsológombot. Ne erőltesse a szerszámot. Az enyhe nyomás adja a legjobb eredményt. Tartsa a szerszámot a helyén, és akadályozza meg, hogy elcsússzon a furattól.

Ne fejtsen ki nagyobb nyomást, ha a furat eltömődik forgáccsal és más részecskékkel. Ehelyett működtesse a szerszámot terhelés nélkül, és húzza ki kissé a fűrőhegyet a furatból. Ezt többször megismételve kitisztítja a furatot, és folytathatja a fűrészt.

MEGJEGYZÉS: A fűrőhegy forgása szokatlan lehet, ha a szerszámot terhelés nélkül működteti. A szerszám automatikusan középpontozza magát működés közben. Ez nem befolyásolja a fűrés pontosságát.

Vésés/kaparás/bontás

Állítsa a működési mód váltó gombot a  jelöléshez. Szilárdan tartsa a szerszámot mindkét kezével. Kapcsolja be a szerszámot, és fejtse ki enyhe nyomást a szerszámmra, hogy az ne pattoghasson szabadon. Erős nyomással nem növeli a szerszám határfokát.
▶ **Ábra41**

Fa vagy fém fűrésa

⚠VIGYÁZAT: Erősen fogja a szerszámot, és legyen óvatos, amikor a fűrőhegy elkezd áttörni a munkadarabot. Hatalmas erő hat a szerszáma/fűrőhegyre a furat áttörésének pillanatában.

⚠VIGYÁZAT: A beszorult fűrőhegyet egyszerűen el lehet távolítani a forgásirányváltó kapcsolókar ellentétes irányú forgásba kapcsolásával. Azonban a gép hirtelen visszafelé foroghat, ha nem tartja erősen.

⚠VIGYÁZAT: A munkadarabokat mindig rögzítse satuban, vagy más hasonló befogó eszközzel.

MEGJEGYZÉS: Soha ne használja az „ütvefűrés” funkciót úgy, hogy a fűrőtokmány rajta van a szerszámon. Ettől a fűrőtokmány sérülhet. Emellett a fűrőtokmány kijön a helyéről, ha visszafelé forogtatja a szerszámot.

MEGJEGYZÉS: Ha túlságosan erősen nyomja a szerszámot, azzal nem gyorsítja meg a furat kifűrésát. Valójában a fölöslegesen nagy nyomás csupán a fűrőhegy sérüléséhez, a szerszám teljesítményének csökkenéséhez vezet és lerövidíti a szerszám hasznos élettartamát.

Állítsa a működési mód váltó gombot a  jelöléshez.

A HR3011FC, HR3001C típusokhoz

Opcionális kiegészítők

Csatlakoztassa a tokmányadapert egy olyan kulcs nélküli fűrótokmányhoz, amelyre felszerelhető egy 1/2"-20-as méretű csavar, majd szerelje fel őket a szerszáma. Felszereléskor olvassa el az „A fűróhegy behelyezése és eltávolítása” című részt.

- **Ábra42:** 1. Kulcs nélküli fűrótokmány
2. Tokmányadapert

A HR3012FC típusúhoz


Használja a gyorsbefogó fűrótokmányt alapértelmezett tartozékként. Felszereléskor olvassa el „Az SDS-plus gyorstokmány cseréje” című részt. Tartsa a gyűrűt, és forgassa a hüvelyt az óramutató járásával ellentétes irányba a tokmányopfák szét-nyitásához. Helyezze a fűróhegyet a tokmányba, és ütközésig tolja be. Tartsa erősen a gyűrűt, és forgassa a hüvelyt az óramutató járásával megegyező irányba a tokmány meghúzásához.

- **Ábra43:** 1. Hüvely 2. Gyűrű

A fűróhegy eltávolításához fogja meg a gyűrűt, és forgassa a hüvelyt az óramutató járásával ellentétes irányba.

Fúrás gyémánt magfűróval

MEGJEGYZÉS: Ha a gyémánt magfűró az „ütfúrás” módban használja, akkor a gyémánt magfűró megrongálódhat.

Gyémánt magfűró használatakor a működési mód váltó gombot mindig állítsa a  jelöléshez, hogy a „fúrás” módot használja.

Porkifújó pumpa

Opcionális kiegészítők

A furat kifúrása után a furatból egy olvadóbiztosítókkal fűjja ki a port.

- **Ábra44**

A porfogókészlet használata

Opcionális kiegészítők

A szerszám használata közben illessze a porfogókészletet a mennyezethez.

- **Ábra45**

MEGJEGYZÉS: Ne használja a porfogókészletet, amikor fémet vagy hasonló anyagot fúr. Az apró fém- vagy egyéb részecskék által termelt hő kárt tehet a porfogókészletben.

MEGJEGYZÉS: Ne szerelje fel és ne távolítsa el a porfogókészletet akkor, amikor a fűróhegy fel van szerelve a szerszáma. Ezzel kárt tehet a porfogókészletben, és porszivárgást okozhat.

A rögzítőkötél (heveder)

csatlakoztatása az akasztókapocshoz

▲ Biztonsági figyelmeztetések speciálisan a magasban történő használatoz
Olvassa el az **összes biztonsági figyelmeztetést és utasítást**. Ha nem tartja be a figyelmeztetéseket és utasításokat, az súlyos sérülést okozhat.

1. **Mindig tartsa kikötve a szerszámot, ha „magasban” dolgozik.** A rögzítőkötél maximális hossza 2 m.
A rögzítőkötél (heveder) maximális megengedett esési hossza nem haladhatja meg a 2 m-t.
 2. **Csak az ennek a szerszámtípusnak megfelelő és legalább 7,5 kg-ra méretezett rögzítőkötéllel használja.**
 3. **Ne rögzítse a szerszám rögzítőkötélét semmilyen a testén található tárgyhoz, sem mozgó elemekhez. Rögzítse a szerszám rögzítőkötélét merev szerkezethez, amely ellen tud állni a leeső szerszám keltette erőknél.**
 4. **Használat előtt győződjön meg róla, hogy a rögzítőkötél mindkét végén megfelelően van rögzítve.**
 5. **Minden használat előtt vizsgálja meg a szerszámot és a rögzítőkötélet (az anyagot és a varratokat is), nem sérült-e, és megfelelően működik-e. Ne használja, ha sérült vagy nem működik megfelelően.**
 6. **Ne tekerje a rögzítőkötéleket semmi köré, és ne engedje, hogy éles vagy durva élekkel érintkezzenek.**
 7. **Rögzítse a rögzítőkötél másik végét a munkaterületen kívülre, hogy a leeső szerszámot biztosan megtartsa.**
 8. **Úgy rögzítse a rögzítőkötélet, hogy ha leesik a szerszám, távolodjon a kezelőtől.** A leejtett szerszámok a rögzítőkötélen fognak lengeni, ez sérülést vagy egyensúlyvesztést okozhat.
 9. **Ne használja mozgó alkatrészek vagy működő gépezetek közelében.** Ha ezt elmulasztja, fennáll az összetörés vagy rátekeredés veszélye.
 10. **Ne hordja az eszközt a tartozékánál vagy a rögzítőkötélnél fogva.**
 11. **Csak akkor tegye át a szerszámot egyik kezéből a másikba, ha megfelelő egyensúlyt tud tartani.**
 12. **Ne csatlakoztassa a rögzítőkötéleket a szerszámhoz oly módon, hogy akadályozza a kapcsolók vagy kapcsolózárak (ha mellékelve vannak) megfelelő működését.**
 13. **Vigyázzon, ne gabalyodjon bele a rögzítőkötélbe.**
 14. **Tartsa a rögzítőkötélet távol a szerszám fűrési területétől.**
 15. **Használjon többlépcsős vagy csavaros típusú karabinereket. Ne használjon egyszerű rugós billentyűs karabinereket.**
 16. **Abban az esetben, ha a szerszámot leejtik, meg kell jelölni, ki kell vonni a használatból, és meg kell vizsgáltatni egy Makita gyárban vagy hivatalos szervizközpontban.**
- **Ábra46:** 1. Akasztókapocs 2. Rögzítőkötél (heveder)

KARBANTARTÁS

⚠ VIGYÁZAT: Mielőtt a vizsgálatához vagy karbantartásához kezdene, mindig bizonyosodjon meg arról, hogy a szerszámot kikapcsolta és a hálózatról lecsatlakoztatta.

MEGJEGYZÉS: Soha ne használjon gázolajt, benzint, hígítót, alkoholt vagy hasonló anyagokat. Ezek elszíneződést, alakvesztést vagy repedést okozhatnak.

A termék BIZTONSÁGÁNAK és MEGBÍZHATÓSÁGÁNAK fenntartása érdekében a javításokat és más karbantartásokat vagy beállításokat a Makita hivatalos vagy gyári szervizközpontjában kell elvégezni, mindig csak Makita cserealkatrészeket használva.

OPCIONÁLIS KIEGÉSZÍTŐK

⚠ VIGYÁZAT: Ezen kiegészítőket és tartozékokat javasoljuk a kézikönyvben ismertetett Makita szerszámhoz. Bármilyen más kiegészítő vagy tartozék használata a személyi sérülés kockázatával jár. A kiegészítőt vagy tartozékot csak rendeltetésszerűen használja.

Ha bármilyen segítségre vagy további információkra van szüksége ezekkel a tartozékokkal kapcsolatban, keresse fel a helyi Makita Szervizközpontot.

- Karbidvégű fúróhegyek (SDS-Plus karbidvégű fúróhegyek)
- Magfúró
- Fúrórúd
- Gyémánt magfúró
- Bontóvéső
- Kaparóvéső
- Horonyvéső
- Tokmányadapter
- Kulcs nélküli fúrótokmány
- Szerszámzsír
- Mélységmérő
- Olvadóbiztosíték
- Porfogó
- Porfogókészlet
- Távtartó (HR3011FC, HR3001C esetén)
- Porgyűjtő rendszer (a HR3011FC, HR3012FC esetén)
- Védőszemüveg
- Akasztókapocs

MEGJEGYZÉS: A listán felsorolt néhány kiegészítő megtalálható az eszköz csomagolásában standard kiegészítőként. Ezek országonként eltérőek lehetnek.

TECHNICKÉ ŠPECIFIKÁCIE

| Model: | | HR3011FC | HR3012FC | HR3001C |
|--------------------|--|-----------------------------|--------------|--------------|
| Výkony | Betón | 30 mm | | |
| | Jadrová korunka | 80 mm | | |
| | Diamantová jadrová korunka (suchý typ) | 80 mm | | |
| | Oceľ | 13 mm | | |
| | Drevo | 32 mm | | |
| Otáčky naprázdno | | 0 – 840 min ⁻¹ | | |
| Úderov za minútu | | 0 – 4 500 min ⁻¹ | | |
| Celková dĺžka | | 369 mm | 386 mm | 369 mm |
| Čistá hmotnosť | | 4,4 – 4,8 kg | 4,5 – 4,7 kg | 4,1 – 4,5 kg |
| Trieda bezpečnosti | | ☐/II | | |

Voliteľné príslušenstvo

| Model: | DX10 (pre model HR3011FC) | DX11 (pre model HR3012FC) |
|---------------------------------|--|---------------------------|
| Vhodný obrobok a pracovný režim | len pre vŕtanie do betónu (nie do kovu alebo dreva a nie na vŕtanie jadrovými korunkami alebo sekание dlátom) | |
| Výkon sania | 0,35 l/min | |
| Prevádzkový pohyb | Do 190 mm | |
| Vhodný vrták | Do 265 mm | |
| Čistá hmotnosť | 1,2 kg | |

- Vzhľadom na neustály výskum a vývoj podliehajú technické údaje uvedené v tomto dokumente zmenám bez upozornenia.
- Technické údaje sa môžu pre rôzne krajiny líšiť.
- Hmotnosť sa môže meniť v závislosti od namontovaného príslušenstva. Najľahšia a najťažšia kombinácia v súlade s postupom EPTA 01/2014 je uvedená v tabuľke.

Určené použitie

Toto náradie je určené na príklepové vŕtanie a vŕtanie do tehly, betónu a kameňa, ako aj na sekacie práce.

Je vhodný aj na bezpríklepové vŕtanie do dreva, kovu, keramiky a plastu.

Napájanie

Nástroj sa môže pripojiť len k zodpovedajúcemu zdroju s napätím rovnakým, aké je uvedené na typovom štítku, a môže pracovať len s jednofázovým striedavým napätím. Nástroj je vybavený dvojistou izoláciou, a preto sa môže používať pri zapojení do zásuviek bez uzemňovacieho vodiča.

Hluk

Typická hladina akustického tlaku zátáže A určená podľa štandardu EN60745-2-6:

Model HR3011FC

Úroveň akustického tlaku (L_{pA}): 94 dB (A)
 Úroveň akustického tlaku (L_{WA}): 105 dB (A)
 Odchýlka (K): 3 dB (A)

Model HR3012FC

Úroveň akustického tlaku (L_{pA}): 93 dB (A)
 Úroveň akustického tlaku (L_{WA}): 104 dB (A)
 Odchýlka (K): 3 dB (A)

Model HR3001C

Úroveň akustického tlaku (L_{pA}): 94 dB (A)
 Úroveň akustického tlaku (L_{WA}): 105 dB (A)
 Odchýlka (K): 3 dB (A)

Model HR3011FC s DX10

Úroveň akustického tlaku (L_{pA}): 96 dB (A)
 Úroveň akustického tlaku (L_{WA}): 107 dB (A)
 Odchýlka (K): 3 dB (A)

Model HR3012FC s DX11

Úroveň akustického tlaku (L_{pA}): 94 dB (A)
 Úroveň akustického tlaku (L_{WA}): 105 dB (A)
 Odchýlka (K): 3 dB (A)

POZNÁMKA: Deklarovaná hodnota emisií hluku bola meraná podľa štandardnej skúšobnej metódy a môže sa použiť na porovnanie jedného nástroja s druhým.

POZNÁMKA: Deklarovaná hodnota emisií hluku sa môže použiť aj na predbežné posúdenie vystavenia ich účinkom.

VAROVANIE: Používajte ochranu sluchu.

VAROVANIE: Emisie hluku sa môžu počas skutočného používania elektrického nástroja odlišovať od deklarovanej hodnoty, a to v závislosti od spôsobov používania náradia a najmä typu spracúvaného obrobku.

VAROVANIE: Nezabudnite označiť bezpečnostné opatrenia s cieľom chrániť obsluhu, a to tie, ktoré sa zakladajú na odhade vystavenia účinkom v rámci reálnych podmienok používania (berúc do úvahy všetky súčasti prevádzkového cyklu, ako sú doby, kedy je nástroj vypnutý a kedy beží bez zaťaženia, ako dodatok k dobe zapnutia).

Vibrácie

V nasledujúcej tabuľke je uvedená celková hodnota vibrácií (trojosový vektorový súčet) určená podľa prísľušnej normy.

Model HR3011FC

| Pracovný režim | Emisie vibrácií | Odchýlka (K) | Platná norma |
|--|----------------------|----------------------|--------------|
| Kladivové vŕtanie do betónu ($a_{h, HD}$) | 9,5 m/s ² | 1,5 m/s ² | EN60745-2-6 |
| Kladivové vŕtanie do betónu s DX10 ($a_{h, HD}$) | 9,5 m/s ² | 1,5 m/s ² | EN60745-2-6 |
| Funkcia sekania s bočnou rukoväťou ($a_{h, Chet}$) | 6,0 m/s ² | 1,5 m/s ² | EN60745-2-6 |
| Vŕtanie do betónu ($a_{h, D}$) | 5,5 m/s ² | 1,5 m/s ² | EN62841-2-1 |

Model HR3012FC

| Pracovný režim | Emisie vibrácií | Odchýlka (K) | Platná norma |
|--|----------------------|----------------------|--------------|
| Kladivové vŕtanie do betónu ($a_{h, HD}$) | 9,5 m/s ² | 1,5 m/s ² | EN60745-2-6 |
| Kladivové vŕtanie do betónu s DX11 ($a_{h, HD}$) | 8,0 m/s ² | 1,5 m/s ² | EN60745-2-6 |
| Funkcia sekania s bočnou rukoväťou ($a_{h, Chet}$) | 5,5 m/s ² | 1,5 m/s ² | EN60745-2-6 |
| Vŕtanie do betónu ($a_{h, D}$) | 6,0 m/s ² | 1,5 m/s ² | EN62841-2-1 |

Model HR3001C

| Pracovný režim | Emisie vibrácií | Odchýlka (K) | Platná norma |
|--|-----------------------|----------------------|--------------|
| Kladivové vŕtanie do betónu ($a_{h, HD}$) | 13,5 m/s ² | 1,5 m/s ² | EN60745-2-6 |
| Funkcia sekania s bočnou rukoväťou ($a_{h, Chet}$) | 11,0 m/s ² | 1,5 m/s ² | EN60745-2-6 |
| Vŕtanie do betónu ($a_{h, D}$) | 6,0 m/s ² | 1,5 m/s ² | EN62841-2-1 |

POZNÁMKA: Deklarovaná celková hodnota vibrácií bola meraná podľa štandardnej skúšobnej metódy a môže sa použiť na porovnanie jedného nástroja s druhým.

POZNÁMKA: Deklarovaná celková hodnota vibrácií sa môže použiť aj na predbežné posúdenie vystavenia ich účinkom.

VAROVANIE: Emisie vibrácií sa môžu počas skutočného používania elektrického nástroja odlišovať od deklarovanej hodnoty, a to v závislosti od spôsobov používania náradia a najmä typu spracúvaného obrobku.

VAROVANIE: Nezabudnite označiť bezpečnostné opatrenia s cieľom chrániť obsluhu, a to tie, ktoré sa zakladajú na odhade vystavenia účinkom v rámci reálnych podmienok používania (berúc do úvahy všetky súčasti prevádzkového cyklu, ako sú doby, kedy je nástroj vypnutý a kedy beží bez zaťaženia, ako dodatok k dobe zapnutia).

Vyhlasenie o zhode ES

Len pre krajiny Európy

Vyhlasenie o zhode ES sa nachádza v prílohe A tohto návodu na obsluhu.

BEZPEČNOSTNÉ VAROVANIA

Všeobecné bezpečnostné predpisy pre elektrické nástroje

VAROVANIE: Preštudujte si všetky bezpečnostné varovania, pokyny, vyobrazenia a technické špecifikácie určené pre tento elektrický nástroj. Pri nedodržaní všetkých nižšie uvedených pokynov môže dôjsť k úrazu elektrickým prúdom, požiaru alebo vážnemu zraneniu.

Všetky výstrahy a pokyny si odložte pre prípad potreby v budúcnosti.

Pojem „elektrický nástroj“ sa vo výstrahách vzťahuje na elektricky napájané elektrické nástroje (s káblom) alebo batériu napájané elektrické nástroje (bez kábla).

BEZPEČNOSTNÉ VAROVANIA PRE VŕTACIE KLADIVO

- Používajte chrániče sluchu.** Vystavenie účinkom hluku môže mať za následok stratu sluchu.
- Pokiaľ sa s náradím dodávajú prídavné rukoväte používajte ich.** Strata ovládania môže mať za následok poranenie.

3. Elektrický nástroj pri práci držte za izolované úchopné povrchy, pretože sa rezný prvok môže dostať do kontaktu so skrytými vodičmi alebo vlastným káblom. Rezné príslušenstvo, ktoré sa dostane do kontaktu s vodičom pod napätím, môže spôsobiť prechod elektrického prúdu kovovými časťami elektrického náradia a spôsobiť tak obsluhu zasiahnutie elektrickým prúdom.
4. Používajte pevnú pokrývku hlavy (ochrannú prilbu), ochranné okuliare a/alebo ochranný štít na tvár. Obyčajné dioptrické alebo sľnečné okuliare NIE sú ochranné okuliare. Rovnako sa dôrazne odporúča používať protiprachovú masku a hrubé vystlané rukavice.
5. Pred prácou overte, či je vrták zaistený na mieste.
6. Pri bežnej prevádzke nástroja dochádza k vibráciám. Lahko môže dôjsť k uvoľneniu skrutiek a následnej poruche alebo nehode. Pred prácou dôkladne skontrolujte dotiahnutie skrutiek.
7. V chladnom počasí alebo keď sa náradie dlhšiu dobu nepoužívalo, nechajte náradie chvíľu zahriať pri prevádzke bez záťaže. Tým sa uvoľní mazivo. Bez správneho predhriatia bude práca s príklepom prebiehať ťažko.
8. Vždy dbajte na pevný postoj. Ak pracujete vo výškach, dbajte, aby pod vami nikto nebol.
9. Držte náradie pevne oboma rukami.
10. Ruky držte mimo dosahu pohyblivých častí.
11. Nenechávajte nástroj v prevádzke bez dozoru. Pracujte s ním, len keď ho držíte v rukách.
12. Počas práce nemierte náradím na žiadnu osobu v blízkosti. Vrták by sa mohol uvoľniť a niekoho vážne poraniť.
13. Nedotýkajte sa vrtáka, častí v blízkosti vrtáka alebo obrobku bezprostredne po práci. Môžu byť extrémne horúce a popáliť vás.
14. Niektoré materiály obsahujú chemikálie, ktoré môžu byť jedovaté. Dávajte pozor, aby ste ich nevdychovali ani sa ich nedotýkali. Prečítajte si bezpečnostné informácie dodávateľa materiálu.
15. Zástrčky napájacieho kábla sa nedotýkajte mokrými rukami.

TIETO POKYNY USCHOVAJTE.

VAROVANIE: NIKDY nepripustíte, aby sebavedomie a dobrá znalosť výrobku (získané opakovaným používaním) nahradili presné dodržiavanie bezpečnostných pravidiel pre náradie. **NESPRÁVNE POUŽÍVANIE** alebo nedodržiavanie bezpečnostných zásad uvedených v tomto návode môže viesť k vážnemu zraneniu.

OPIS FUNKCIÍ

POZOR: Pred nastavovaním nástroja alebo kontrolou jeho funkcie sa vždy presvedčte, že je vypnutý a vyťahnutý zo zásuvky.

Zapínanie

POZOR: Pred pripojením nástroja do zásuvky vždy skontrolujte, či spúšťači spínač funguje správne a po uvoľnení sa vracia do vypnutej polohy.

Ak chcete nástroj spustiť, stačí stlačiť jeho spúšťači spínač. Rýchlosť nástroja sa zvyšuje zvyšovaním prítlaku na spúšťači spínač. Nástroj zastavíte uvoľnením spúšťačieho spínača.

► **Obr.1:** 1. Spúšťači spínač

Zapnutie prednej lampy

Len pre modely HR3011FC HR3012FC

POZOR: Nedívajte sa priamo do svetla ani jeho zdroja.

Lampu zapnete stlačením spúšťačieho spínača. Lampu vypnete uvoľnením spúšťačieho spínača.

► **Obr.2:** 1. Lampa

POZNÁMKA: Suchou tkaninou utrite znečistené šošovky lampy. Dávajte pozor, aby sa šošovky lampy nepoškrabali. Mohla by sa znížiť intenzita osvetlenia.

Činnosť prepínacej páčky smeru otáčania

POZOR: Pred začatím činnosti vždy skontrolujte smer otáčania.

POZOR: Smer otáčania prepínajte až po úplnom zastavení nástroja. Pri zmene smeru otáčania pred úplným zastavením by sa mohol nástroj poškodiť.

UPOZORNENIE: Pri zmene smeru otáčania dajte reverzný spínač vždy úplne na stranu **A** alebo **B**. Inak sa po stlačení spúšťačieho spínača motor nemusí otáčať alebo náradie nemusí fungovať správne.

Tento nástroj má prepínanie páčku smeru otáčania. Zatlačte prepínanie páčku smeru otáčania do polohy na strane A na otáčanie v smere pohybu hodinových ručičiek alebo do polohy na strane B na otáčanie proti smeru pohybu hodinových ručičiek.

► **Obr.3:** 1. Prepínanie páčka smeru otáčania



Výmena rýchlopínacieho skľučovadla pre SDS-plus

Len pre model HR3012FC

Rýchlopínacie skľučovadlo pre SDS-plus možno jednoducho vymeniť za rýchlopínacie skľučovadlo.




Demontáž rýchlopínacieho skľučovadla pre SDS-plus

▲POZOR: Pred demontážou rýchlopínacieho skľučovadla pre SDS-plus nezabudnite vybrať vrták.

Uchopte výmenný kryt rýchlopínacieho skľučovadla pre SDS-plus a točte v smere šípky, pokiaľ sa značka výmenného krytu nepresunie z polohy so symbolom  do polohy so symbolom . Následne potlačte v smere šípky.

- **Obr.4:** 1. Rýchlopínacie skľučovadlo pre SDS-plus
2. Výmenný kryt 3. Značka výmenného krytu

Montáž rýchlopínacieho skľučovadla

Skontrolujte, či značka rýchlopínacieho skľučovadla ukazuje na symbol . Uchopte výmenný kryt rýchlopínacieho skľučovadla a nastavte značku na symbol . Rýchlopínacie skľučovadlo umiestnite na hriadeľ nástroja. Uchopte výmenný kryt rýchlopínacieho skľučovadla a otočte značku výmenného krytu do polohy so symbolom , pokiaľ jasne nezačujete cvaknutie.


- **Obr.5:** 1. Rýchlopínacie skľučovadlo 2. Vretno
3. Značka výmenného krytu 4. Výmenný kryt

Výber funkcie nástroja

UPOZORNENIE: Neotáčajte prepínačom na zmenu funkcie za chodu náradia pri zaťažení. Môže to spôsobiť poškodenie náradia.


UPOZORNENIE: Nadmernému opotrebovaniu mechanizmu na zmenu funkcie predídete tým, že vždy nastavíte prepínač presne na jednu z troch polôh pracovných režimov.

Vrtanie s príklepom

Pri vrtaní do betónu, muriva a pod. otočte prepínačom na zmenu funkcie na symbol . Používajte vrták s volfrám-karbidovým hrotom (voliteľné príslušenstvo).


- **Obr.6:** 1. Vrtanie s príklepom 2. Prepínač na zmenu funkcie

Len vrtanie

Pri vrtaní do dreva, kovu alebo plastových materiálov otočte prepínačom na zmenu funkcie na symbol . Použite vrták do železa alebo do dreva.

- **Obr.7:** 1. Len vrtanie

Len príklep

Pri sekani, osekávaní alebo zbíjaní otočte prepínačom na zmenu funkcie na symbol . Použite tyč s hrotom, plochý sekáč, sekacie dláto, a pod.

- **Obr.8:** 1. Len príklep

Obmedzovač krútiaceho momentu

UPOZORNENIE: Len čo sa obmedzovač spustí, náradie ihneď vypnite. Zabráňte tým predčasnému opotrebovaniu náradia.

UPOZORNENIE: Vrtáky, ako napríklad korunka, ktoré často zvyknú uviaznuť alebo sa zachytiť v otvore, nie sú vhodné pre toto náradie. Pri ich používaní by sa obmedzovač aktivoval až príliš často.

Obmedzovač krútiaceho momentu preruší otáčanie vrtáka po dosiahnutí určitej hodnoty krútiaceho momentu. Preruší sa spojenie medzi motorom a vývodovým hriadeľom. Keď sa tak stane, vrták sa prestane otáčať.

Elektronické funkcie

Nástroj je kvôli jednoduchšej obsluhu vybavený elektronickými funkciami.

- Regulácia konštantných otáčok
Funkcia ovládania otáčok zaisťuje stále otáčky bez ohľadu na záťaž.

Vzduchovod

Len pre modely HR3011FC HR3012FC

▲POZOR: Nedávajte prst do vzduchovodu ani do vzduchovodu nezasúvajte žiadne iné predmety. Inak sa môžete poraniť alebo sa náradie môže poškodiť.

Vzduchovod sa má pripojiť k systému na zber prachu. Keď použivate systém na zber prachu, prečítajte si časť týkajúcu sa systému na zber prachu.

- **Obr.9:** 1. Vzduchovod

ZOSTAVENIE

▲POZOR: Skôr než začnete na nástroj robiť akékoľvek práce, vždy sa predtým presvedčte, že je vypnutý a vytiahnutý zo zásuvky.

Bočná rukoväť (pomocná rukoväť)

▲POZOR: Na zaistenie bezpečnej prevádzky vždy používajte bočnú rukoväť.

▲POZOR: Po nasadení alebo úprave bočnej rukoväte skontrolujte, či je bočná rukoväť pevne zaistená.

Pri montáži bočnej rukoväti postupujte podľa nasledujúcich krokov.

1. Uvoľnite krídlovú skrutku na bočnej rukoväti.

- **Obr.10:** 1. Krídlová skrutka

2. Upevnite bočnú rukoväť stlačením krídlovej skrutky tak, aby drážky na rukoväti zapadli medzi výčnelky na valci nástroja.

- **Obr.11:** 1. Krídlová skrutka

3. Uťahnite krídlovú skrutku na zaistenie rukoväti. Rukoväť možno upevniť pod požadovaným uhlom.

Mazivo

Na koncovku držiaka vrtáka naneste najprv malé množstvo maziva (približne 0,5 – 1 g). Mazaním sa zabezpečí plynulý priebeh práce a dlhšia životnosť nástroja.

Montáž alebo demontáž vrtáka

Koncovku držiaka vrtáka očistite a pred nasadením vrtáka naneste mazivo.

► **Obr.12:** 1. Koncovka držiaka 2. Mazivo

Zasuňte vrták do nástroja. Otočte vrtákom a zatlačte ho dovnútra, kým nezapadne.

Po zasunutí vrtáka sa vždy uistite, že je vrták správne zaistený potiahnutím za vrták.

► **Obr.13:** 1. Vvrták

Pri vyberaní vrtáka kryt skľučovadla posuňte až na doraz smerom nadol a vrták vyberte.

► **Obr.14:** 1. Vvrták 2. Kryt skľučovadla

Uhol dláta (pri sekaní, osekávaní alebo zbíjaní)

Dláto možno zaistiť do požadovaného uhla. Pri zmene uhla dláta otočte prepínač na zmenu funkcie na symbol O. Otočte dláto do požadovaného uhla.

► **Obr.15:** 1. Prepínač na zmenu funkcie

Otočte prepínač na zmenu funkcie na symbol .

Trocha dlátom pootočte, aby ste sa presvedčili, že je pevne zaistené.

Hĺbkomer

Hĺbkomer je užitočný pri vrtaní otvorov rovnakej hĺbky. Stlačte a podržte poistné tlačidlo a vložte hĺbkomer do šesťhranného otvoru. Uistite sa, že strana hĺbkomera so zubami smeruje k značke.

► **Obr.16:** 1. Hĺbkomer 2. Poistné tlačidlo 3. Značka 4. Strana so zubami

Nastavte hĺbkomer posúvaním dopredu a dozadu, pričom držte stlačené poistné tlačidlo. Po nastavení uvoľnite poistné tlačidlo, aby sa hĺbkomer zaistil.

POZNÁMKA: Dbajte na to, aby sa hĺbkomer pri pripájaní nedotýkal tela nástroja.

Prachový kryt

Voliteľné príslušenstvo

Prachový kryt slúži na zachytávanie prachu pri vrtaní v polohe nad hlavou. Nasadíte kryt na vrták, ako je to znázornené na obrázku. Rozmery vrtákov, na ktoré je možné prachový kryt nasadiť.

| Model | Priemer vrtáku |
|-----------------|----------------|
| Prachový kryt 5 | 6 mm – 14,5 mm |
| Prachový kryt 9 | 12 mm – 16 mm |

► **Obr.17:** 1. Prachový kryt


Súprava prachových krytov

Voliteľné príslušenstvo


Pre modely HR3011FC, HR3001C

UPOZORNENIE: Pri použití súpravy prachových krytov s modelom HR3011FC a HR3001C je potrebná aj rozpera.

Pred nainštalovaním súpravy prachového krytu vyberte vrták z nástroja, ak je nainštalovaný.

K súprave prachových krytov pripievňte rozperu.  symbol na prachovom kryte je zarovnaný s drážkou na rozpere.

► **Obr.18:** 1. Rozpera 2.  symbol 3. Drážka

Súpravu prachových krytov s rozperou nainštalujte do nástroja tak, aby bol symbol  na prachovom kryte zarovnaný s drážkou na nástroji.

► **Obr.19:** 1.  symbol 2. Drážka

Ak chcete súpravu prachových krytov demontovať, vyberte vrták a ťahajte kryt skľučovadla v smere šípky.


► **Obr.20:** 1. Vrták 2. Kryt skľučovadla

Držte spodnú časť prachového krytu a vytiahnite ho von.

► **Obr.21**

Pre model HR3012FC

Pred nainštalovaním súpravy prachového krytu vyberte vrták z nástroja, ak je nainštalovaný.

Súpravu prachových krytov nainštalujte do nástroja tak, že symbol  na prachovom kryte bude zarovnaný s drážkou na nástroji.

► **Obr.22:** 1.  symbol 2. Drážka

Ak chcete súpravu prachových krytov demontovať, vyberte vrták a ťahajte kryt skľučovadla v smere šípky.

► **Obr.23:** 1. Vrták 2. Kryt skľučovadla

Držte spodnú časť prachového krytu a vytiahnite ho von.

► **Obr.24**

POZNÁMKA: Ak k súprave prachového filtra pripájate vysávač, pred jeho pripojením odstráňte prachový uzáver.

► **Obr.25:** 1. Prachový uzáver

POZNÁMKA: Ak sa odpojí uzáver od prachového filtra, pripojte ho tak, aby jeho potlačená strana smerovala nahor a drážka na uzávère zapadla do okraja nástavca.

► **Obr.26**

Držiak na náradie

Voliteľné príslušenstvo

VAROVANIE: Nepoužívajte poškodený držiak na náradie ani skrutku.

VAROVANIE: Používajte iba skrutku dodanú k držiaku na náradie.

VAROVANIE: Pred použitím držiaka na náradie skontrolujte, či nie je poškodený, prasknutý alebo zdeformovaný a uistite sa, že skrutka je utiahnutá.

⚠ POZOR: Držiak na náradie inštalujte alebo demontujte na stabilnom stole alebo povrchu.

Držiak na náradie je určený na pripojenie lana (popruhu). Pri montáži držiaka na náradie postupujte podľa nasledujúcich krokov.

1. Odpojte zástrčku od zdroja napájania.
2. Vložte výčnelky držiaka na náradie do otvorov v náradí.
3. Pevne dotiahnite skrutky.

► **Obr.27:** 1. Držiak na náradie 2. Otvor 3. Výčnelok 4. Skrutka

SYSTÉM NA ZBER PRACHU

Len pre modely HR3011FC HR3012FC

Voliteľné príslušenstvo

Systém na zber prachu je navrhnutý na účinný zber prachu pri vrtaní do betónu.

► **Obr.28:** 1. Systém na zber prachu

⚠ POZOR: Skôr než začnete na náradí vykonávať akékoľvek práce, vždy sa uistite, že náradie je vypnuté a vytiahnuté zo zásuvky. Inak môže dôjsť k zraneniu osôb pri náhodnom zapnutí.

⚠ POZOR: K systému na zber prachu vždy pripojte filter. V opačnom prípade dochádza k vdychovaniu prachu.

⚠ POZOR: Skontrolujte, že filter nie je poškodený. V opačnom prípade môže dôjsť k vdychovaniu prachu.

UPOZORNENIE: Systém na zber prachu nepoužívajte pri vrtaní jadrovými korunkami alebo sekani dlátom. Systém na zber prachu je určený len pre vrtanie.

UPOZORNENIE: Systém na zber prachu nepoužívajte pri vrtaní do kovu alebo dreva. Systém na zber prachu je určený len pre betón.

UPOZORNENIE: Systém na zber prachu nepoužívajte pri vrtaní do mokrého betónu ani nepoužívajte tento systém vo vlhkom prostredí. V opačnom prípade môže dôjsť k poruche.

POZNÁMKA: Systém na zber prachu zhromažďuje prach značnou rýchlosťou, nie je však možné zhromaždiť všetok prach.

Montáž a demontáž systému na zber prachu

UPOZORNENIE: Pred inštaláciou systému na zber prachu vyčistite spojovacie diely náradia a systému na zber prachu.

Cudzie látky na spojovacích dieloch môžu spôsobiť problémy pri inštalácii systému na zber prachu. Predovšetkým cudzie látky na elektrických rozhraniach môžu spôsobiť poruchu.

Ak na vzduchovode zostane prach, môže sa dostať do náradia a spôsobiť blokovanie prúdenia vzduchu alebo poškodenie náradia.

Pripojte systém na zber prachu k náradiu a potom zasuňte systém na zber prachu až na doraz, kým s jemným dvojitém cvaknutím nezaskočí na svoje miesto. Potom sa uistite, že systém na zber prachu je bezpečne nainštalovaný.

► **Obr.29:** 1. Vzduchovod

Pri odstraňovaní systému na zber prachu stlačte tlačidlo odomknutia.

► **Obr.30:** 1. Tlačidlo odomknutia

Úprava polohy hubice na systéme na zber prachu

⚠ POZOR: Pri uvoľňovaní hubice stlačením nastavovacieho tlačidla vodidla nesmerujte hubicu na seba ani na iných.

Zatlačte vodidlo dovnútra, kým držíte stlačené nastavovacie tlačidlo vodidla, a potom uvoľnite nastavovacie tlačidlo vodidla v požadovanej polohe.

► **Obr.31:** 1. Vodidlo 2. Nastavovacie tlačidlo vodidla

Úprava hĺbky vrtania na systéme na zber prachu

Držte stlačené nastavovacie tlačidlo hĺbky a posuňte ho do požadovanej polohy. Vzďialenosť (A) je hĺbka vrtania.

► **Obr.32:** 1. Nastavovacie tlačidlo hĺbky

Odstránenie prachu z filtra oklepáním

⚠ POZOR: Neotáčajte otočným ovládačom na nádobe na prach, keď je nádoba na prach odstránená zo systému na zber prachu. V takom prípade môže dôjsť k vdychovaniu prachu.

⚠ POZOR: Vždy, keď otáčate otočným ovládačom na nádobe na prach, vypnite nástroj. Pri otáčaní otočným ovládačom počas prevádzky nástroja môže dôjsť k strate ovládania nástroja.

Odstránením prachu z filtra vo vnútri nádoby na prach jeho oklepáním môžete zachovať účinnosť vysávania a tiež znížiť počet úkonov na odstránenie prachu. Trikrát otočte nastavovacie koliesko nádoby na prach po každom nahromadení 50 000 mm³ prachu, alebo ak máte pocit, že výkon vysávania je znížený.

POZNÁMKA: 50 000 mm³ prachu je hodnota ekvivalentná vyvrtaniu 10 otvorov s priemerom $\varnothing 10$ mm a hĺbkou 14 mm (2 otvorov s priemerom $\varnothing 65''$ a hĺbkou $3/8''$).

► **Obr.33:** 1. Nádoba na prach 2. Nastavovacie koliesko

Likvidácia prachu

▲POZOR: Pri likvidácii prachu používajte proti-prachovú masku.

▲POZOR: Nádobu na prach pravidelne vyprázdňujte skôr ako sa úplne naplní. V opačnom prípade sa môže znížiť účinnosť zberu prachu a môže dôjsť k vdychovaniu prachu.

▲POZOR: Orientačne sa odporúča vymeniť filter za nový po 200 naplneniach prachom. Upchatý filter znižuje účinnosť zberu prachu a následne môže dôjsť k vdychovaniu prachu.

UPOZORNENIE: Pri čistení filtra jemne poklepte rukou na puzdro filtra, aby sa odstránil prach. Neklepte priamo na filter, nedotýkajte sa ho kefou či podobným predmetom ani neaplikujte na filter stlačený vzduch. Filter by sa mohol poškodiť.

1. Ak chcete vybrať nádobu na prach, zatlačte nadol páčku nádoby na prach.

► Obr.34: 1. Páčka

2. Otvorte kryt nádoby na prach.

► Obr.35: 1. Kryt

3. Zlikvidujte prach a potom vyčistite filter.

► Obr.36

Výmena filtra nádoby na prach

1. Ak chcete vybrať nádobu na prach, zatlačte nadol páčku nádoby na prach. (Pozrite si časť o likvidácii prachu.)

2. Otvorte kryt filtra nádoby na prach.

► Obr.37: 1. Kryt filtra

3. Vyberte filter z puzdra filtra.

► Obr.38: 1. Filter 2. Puzdro filtra

4. Vložte nový filter do puzdra filtra a potom upevnite kryt filtra.

5. Zatvorte kryt nádoby na prach a pripojte ju k systému na zber prachu.

Výmena tesniaceho veka

Ak je tesniace veko opotrebované, zníži sa účinnosť zberu prachu. Ak je opotrebované, vymeňte ho.

Vyberte tesniace veko a potom vložte nové tak, aby jeho výčnelok smeroval nahor.

► Obr.39: 1. Výčnelok 2. Tesniace veko

PREVÁDZKA

▲POZOR: Vždy používajte bočnú rukoväť (pomocnú rukoväť) a nástroj pri práci držte pevne za bočnú rukoväť aj spínaciu rúčku.

▲POZOR: Pred prácou si obrobok vždy pevne zaistíte.

▲POZOR: Nevyťahujte nástroj nasilu, ani keď sa zasekne vrták. Strata ovládania môže mať za následok poranenie.


▲POZOR: Len pre modely HR3011FC HR3012FC

Pred použitím systému na zber prachu si prečítajte časť týkajúcu sa systému na zber prachu.

► Obr.40

Vrtanie s príklepom


▲POZOR: Pri dokončovaní priechodného otvoru môže dôjsť k náhlej reakcii náradia/vrtáku, keď sa otvor zanesie trieskami a úlomkami materiálu, alebo pri náraze na výstuž v betóne. **Vždy používajte bočnú rukoväť (pomocnú rukoväť) a nástroj pri práci držte pevne za bočnú rukoväť aj spínaciu rúčku.** V opačnom prípade by ste mohli stratiť nad náradím kontrolu a spôsobiť vážne poranenie.

Prepínač na zmenu funkcie nastavte na symbol . Vrták nastavte do požadovanej polohy pre hĺbku otvoru a stlačte spúšťač spínača. Nevyvíjajte na nástroj veľký tlak. Menším tlakom dosiahnete vyššiu efektívnosť práce. Držte nástroj presne v potrebnej polohe, aby vrták neskľzol mimo vrtaný otvor.

Nevyvíjate väčší tlak, keď sa otvor zanesie úlomkami materiálu. Namiesto toho nechajte nástroj pracovať voľne a trochu povytiahnite vrták z otvoru. Po niekoľkonásobnom zopakovaní tohto úkonu sa otvor vyčistí a môžete pokračovať vo vrtaní.

POZNÁMKA: Na voľnobežných otáčkach môže dôjsť k vyoseniu vrtáka. Počas prevádzky sa nástroj automaticky vycentruje. Toto vyosenie nemá vplyv na presnosť vrtania.

Sekanie/osekávanie/zbíjanie

Prepínač na zmenu funkcie nastavte na symbol . Držte náradie pevne oboma rukami. Zapnite náradie a trochu naň tlačte, aby nekontrolovane neposkakovalo. Príliš veľký tlak nezaručuje najlepšie výsledky.

► Obr.41

Vrtanie do dreva alebo kovu

▲POZOR: Držte nástroj pevne a dávajte pozor, keď vrták začína prenikáť do obrobku. V čase prerážania otvorom pôsobí na nástroj/vrták veľká sila.

▲POZOR: Uviaznutý vrták sa dá jednoducho uvoľniť prepnutím prepínača smeru otáčania do opáčnej polohy. Pokiaľ však nástroj nedržíte pevne, môže nečakane vyskočiť.

▲POZOR: Obrobky vždy upínajte do zveráka či do podobného upevňovacieho zariadenia.

UPOZORNENIE: Nikdy nepoužívajte „príklepové vrtanie“ pokiaľ je v náradí nasadené skľučovadlo. Mohlo by dôjsť k poškodeniu skľučovadla. Pri spätnom chode náradia by mohlo dôjsť aj k vysunutiu skľučovadla.

UPOZORNENIE: Nadmerným tlakom na nástroj vrtanie neurýchliť. V skutočnosti tento nadmerný tlak vedie len k poškodeniu hrotu vášho vrtáka, zníženiu účinnosti nástroja a skráteniu jeho životnosti.

Prepínač na zmenu funkcie nastavte na symbol .

Pre modely HR3011FC, HR3001C

Voliteľné príslušenstvo

Adaptér skľučovadla pripojte k skľučovadlu bez kľúča, ku ktorému možno namontovať skrutku s veľkosťou 1/2"-20, a potom ich namontujte na nástroj. Pri jeho montáži si pozrite časť „Montáž alebo demontáž vrtáka“.

► **Obr.42:** 1. Skľučovadlo bez kľúča 2. Adaptér skľučovadla

Pre model HR3012FC

Ako štandardné vybavenie použite rýchlooupínacie skľučovadlo. Pri jeho montáži postupujte podľa pokynov „Výmena skľučovadla pre SDS-plus“.


Chyťte veniec a otočte objímkou proti smeru hodinových ručičiek. Vložte vrták do skľučovadla až na doraz. Chyťte veniec a otočte objímkou v smere hodinových ručičiek, aby sa skľučovadlo utiahlo.

► **Obr.43:** 1. Objímka 2. Krúžok

Vrták vyberiete podržaním krúžku a otočením objímky proti smeru hodinových ručičiek.

Vrtanie diamantovými jadrovými korunkami

UPOZORNENIE: Ak by ste pracovali v režime „príklepové vrtanie“, korunky by sa mohli poškodiť.

Pri vrtaní diamantovými jadrovými korunkami vždy nastavte prepínač na zmenu funkcie do polohy so symbolom  na použitie „len vrtania“.

Ofukovací balónik

Voliteľné príslušenstvo

Ofukovací balónik slúži na vyčistenie vyvrtaného otvoru od prachu.

► **Obr.44**

Používanie súpravy prachových krytov

Voliteľné príslušenstvo

Počas používania nástroja pripevnite súpravu prachových krytov k stropu.

► **Obr.45**

UPOZORNENIE: Ak vrtáte do kovu alebo podobného materiálu, súpravu prachových krytov nepoužívajte. Mohla by sa poškodiť v dôsledku tepla vygenerovaného malými kovovými prachovými alebo podobnými časticami.

UPOZORNENIE: Súpravu prachových krytov neinštalujte ani nedemontujte, keď je na nástroji nainštalovaný vrták. Mohol by poškodiť súpravu prachových krytov a spôsobiť únik.

Pripojenie lana (popruhu) k držiaku na náradie

⚠ Bezpečnostné varovania špecifické pre použitie vo výškach

Prečítajte si všetky bezpečnostné výstrahy a pokyny. Nedodržovanie varovaní a pokynov môže viesť k vážnemu zraneniu.

1. **Vždy pri práci „vo výškach“ udržujte náradie pripevnené. Maximálna dĺžka lana je 2 m. Maximálna povolená dĺžka pádu pre lano (popruh) nesmie presiahnuť 2 m.**
 2. **Používajte iba s lanami vhodnými pre tento typ náradia a s minimálnou nosnosťou 7,5 kg.**
 3. **Lano nástroja neupevňujte k svojmu telu ani k pohyblivým častiam. Lano nástroja upevnite k pevnej konštrukcii, ktorá dokáže odolať silám nástroja pri páde.**
 4. **Pred použitím skontrolujte, či je lano správne zaistené na oboch koncoch.**
 5. **Pred každým použitím skontrolujte, či nie sú nástroj a lano poškodené a či správne fungujú (vrátane tkaniny a stehov). Nepoužívajte ich, ak sú poškodené alebo nefungujú správne.**
 6. **Laná neomotávajte a nedovoľte, aby sa dostali do kontaktu s ostrými alebo hrubými okrajmi.**
 7. **Upevnite druhý koniec lana mimo pracovnej oblasti tak, aby sa padajúci nástroj bezpečne zachytil.**
 8. **Pripevnite lano tak, aby sa nástroj v prípade pádu pohyboval mimo operátora. Spadnuté nástroje sa budú hodiť na lane, čím môžu spôsobiť zranenie alebo stratu rovnováhy.**
 9. **Nepoužívajte v blízkosti pohyblivých častí alebo bežiacich strojov. V opačnom prípade môže dôjsť k nebezpečenstvu nárazu alebo spadnutia.**
 10. **Nástroj neprenášajte pomocou upevňovacieho zariadenia alebo lana.**
 11. **Nástroj presúvajte medzi rukami iba vtedy, keď máte dostatočnú rovnováhu.**
 12. **K náradiu nepripevňujte laná spôsobom, ktorý by bránil správnej funkcii prepínačov alebo zaisťovacieho tlačidla spínača.**
 13. **Dávajte pozor, aby ste sa nezamotali do lana.**
 14. **Lano udržiavajte mimo oblasti vrtania náradia.**
 15. **Používajte multifunkčné a skrutkovacie karabíny. Nepoužívajte jednocelové karabíny s pružinovými sponami.**
 16. **V prípade, že nástroj spadne, musí sa označiť a vyradiť z prevádzky a mal by sa skontrolovať v továrni Makita alebo v autorizovanom servisnom stredisku.**
- **Obr.46:** 1. Držiak na náradie 2. Lano (popruh)

ÚDRŽBA

⚠ POZOR: Pred vykonávaním kontroly a údržby nástroj vždy vypnite a odpojte od prívodu elektrickej energie.

UPOZORNENIE: Nepoužívajte benzín, riedidlo, alkohol ani podobné látky. Mohlo by to spôsobiť zmenu farby, deformácie alebo praskliny.

Ak chcete udržať BEZPEČNOSŤ a BEZPORUCHOVOSŤ výrobku, prenechajte opravy, údržbu a nastavenie na autorizované alebo továrenské servisné centrá Makita, ktoré používajú len náhradné diely značky Makita.

VOLITEĽNÉ PRÍSLUŠENSTVO

⚠ POZOR: Pre váš nástroj Makita, opísaný v tomto návode, doporučujeme používať toto príslušenstvo a nástavce. Pri použití iného príslušenstva či nástavcov môže hroziť nebezpečenstvo zranenia osôb. Príslušenstvo a nástavce sa môžu používať len na účely pre ne stanovené.

Ak potrebujete bližšie informácie týkajúce sa tohoto príslušenstva, obráťte sa na vaše miestne servisné stredisko firmy Makita.

- Vrtáky so spekaným karbidom (vrtáky so spekaným karbidom SDS-Plus)
- Jadrová korunka
- Vŕtací hrot
- Diamantová jadrová korunka
- Plochý sekáč
- Sekacie dláto
- Dláto na drážky
- Adaptér skľučovadla
- Vrtákové skľučovadlo bez kľúča
- Vazelína na upínacie stopky vrtákov
- Hĺbkomer
- Ofukovací balónik
- Prachový kryt
- Súprava prachových krytov
- Rozpera (pre modely HR3011FC, HR3001C)
- Systém na zber prachu (pre modely HR3011FC, HR3012FC)
- Ochranné okuliare
- Záves náradia

POZNÁMKA: Niektoré položky zo zoznamu môžu byť súčasťou balenia nástrojov vo forme štandardného príslušenstva. Rozsah týchto položiek môže byť v každej krajine odlišný.

SPECIFIKACE

| Model: | | HR3011FC | HR3012FC | HR3001C |
|--------------------------|--|-----------------------------|--------------|--------------|
| Výkony | Beton | 30 mm | | |
| | Vrtná korunka | 80 mm | | |
| | Diamantová jádrová vrtná korunka (suchý typ) | 80 mm | | |
| | Ocel | 13 mm | | |
| | Dřevo | 32 mm | | |
| Otáčky bez zatížení | | 0 – 840 min ⁻¹ | | |
| Počet příklepů za minutu | | 0 – 4 500 min ⁻¹ | | |
| Celková délka | | 369 mm | 386 mm | 369 mm |
| Čistá hmotnost | | 4,4 – 4,8 kg | 4,5 – 4,7 kg | 4,1 – 4,5 kg |
| Třída bezpečnosti | | II/II | | |

Volitelné příslušenství

| Model: | DX10 (pro HR3011FC) | DX11 (pro HR3012FC) |
|---------------------------------|--|---------------------|
| Vhodný obrobek a pracovní režim | pouze pro vrtní do betonu (ne pro kov nebo dřevo a nikoliv pro jádrové vrtní či sekání) | |
| Sací výkon | 0,35 l/min | |
| Provozní zdvih | Až 190 mm | |
| Vhodný vrták | Až 265 mm | |
| Čistá hmotnost | 1,2 kg | |

- Vzhledem k neustálému výzkumu a vývoji podléhají zde uvedené specifikace změnám bez upozornění.
- Specifikace se mohou pro různé země lišit.
- Hmotnost se může lišit v závislosti na příslušenství. Nejlehčí a nejtěžší kombinace, dle EPTA-Procedure 01/2014, jsou uvedeny v tabulce níže.

Účel použití

Nástroj je určen k příklepovému vrtní a běžnému vrtní do cihel, betonu a kamene a k sekání. Kromě toho je vhodný k bezpříklepovému vrtní do dřeva, kovů, keramických materiálů a plastů.

Napájení

Nářadí smí být připojeno pouze k napájení se stejným napětím, jaké je uvedeno na výrobním štítku, a může být provozováno pouze v jednofázovém napájecím okruhu se střídavým napětím. Nářadí je vybaveno dvojitou izolací a může být tedy připojeno i k zásuvkám bez zemního vodiče.

Hlučnost

Typická vážená hladina hluku (A) určená podle normy EN60745-2-6:

Model HR3011FC

Hladina akustického tlaku (L_{pA}): 94 dB(A)
Hladina akustického výkonu (L_{WA}): 105 dB (A)
Nejistota (K): 3 dB(A)

Model HR3012FC

Hladina akustického tlaku (L_{pA}): 93 dB(A)
Hladina akustického výkonu (L_{WA}): 104 dB (A)
Nejistota (K): 3 dB(A)

Model HR3001C

Hladina akustického tlaku (L_{pA}): 94 dB(A)
Hladina akustického výkonu (L_{WA}): 105 dB (A)
Nejistota (K): 3dB(A)

Model HR3011FC s DX10

Hladina akustického tlaku (L_{pA}): 96 dB (A)
Hladina akustického výkonu (L_{WA}): 107 dB (A)
Nejistota (K): 3 dB (A)

Model HR3012FC s DX11

Hladina akustického tlaku (L_{pA}): 94 dB (A)
Hladina akustického výkonu (L_{WA}): 105 dB (A)
Nejistota (K): 3 dB (A)

POZNÁMKA: Celková(é) hodnota(y) emisí hluku byla(y) změněna(y) v souladu se standardní zkušební metodou a dá se použít k porovnání nářadí mezi sebou.

POZNÁMKA: Hodnotu(y) deklarovaných emisí hluku lze také použít k předběžnému posouzení míry expozice vibracím.

VAROVÁNÍ: Používejte ochranu sluchu.

VAROVÁNÍ: Emise hluku se při používání elektrického nářadí ve skutečnosti mohou od deklarované(y) hodnot(y) lišit v závislosti na způsobech použití nářadí.

VAROVÁNÍ: Nezapomeňte stanovit bezpečnostní opatření na ochranu obsluhy podle odhadu expozice ve skutečných podmínkách použití. (Vezměte přitom v úvahu všechny části provozního cyklu, tj. kromě doby zátěže například doby, kdy je nářadí vypnuté a kdy běží naprázdno.)

Vibrace

Následující tabulka zobrazuje celkovou hodnotu vibrací (vektorový součet tří os) určenou podle příslušné normy.

Model HR3011FC

| Pracovní režim | Emise vibrací | Nejistota (K) | Příslušná norma |
|--|----------------------|----------------------|-----------------|
| Přiklepové vrtání do betonu ($a_{h, HD}$) | 9,5 m/s ² | 1,5 m/s ² | EN60745-2-6 |
| Přiklepové vrtání do betonu s DX10 ($a_{h, HD}$) | 9,5 m/s ² | 1,5 m/s ² | EN60745-2-6 |
| Funkce drážkování s boční rukojetí ($a_{h, Cheq}$) | 6,0 m/s ² | 1,5 m/s ² | EN60745-2-6 |
| Vrtání do kovu ($a_{h, D}$) | 5,5 m/s ² | 1,5 m/s ² | EN62841-2-1 |

Model HR3012FC

| Pracovní režim | Emise vibrací | Nejistota (K) | Příslušná norma |
|--|----------------------|----------------------|-----------------|
| Přiklepové vrtání do betonu ($a_{h, HD}$) | 9,5 m/s ² | 1,5 m/s ² | EN60745-2-6 |
| Přiklepové vrtání do betonu s DX11 ($a_{h, HD}$) | 8,0 m/s ² | 1,5 m/s ² | EN60745-2-6 |
| Funkce drážkování s boční rukojetí ($a_{h, Cheq}$) | 5,5 m/s ² | 1,5 m/s ² | EN60745-2-6 |
| Vrtání do kovu ($a_{h, D}$) | 6,0 m/s ² | 1,5 m/s ² | EN62841-2-1 |

Model HR3001C

| Pracovní režim | Emise vibrací | Nejistota (K) | Příslušná norma |
|--|-----------------------|----------------------|-----------------|
| Přiklepové vrtání do betonu ($a_{h, HD}$) | 13,5 m/s ² | 1,5 m/s ² | EN60745-2-6 |
| Funkce drážkování s boční rukojetí ($a_{h, Cheq}$) | 11,0 m/s ² | 1,5 m/s ² | EN60745-2-6 |
| Vrtání do kovu ($a_{h, D}$) | 6,0 m/s ² | 1,5 m/s ² | EN62841-2-1 |

POZNÁMKA: Celková(é) hodnota(y) deklarovaných vibrací byla(y) změněna(y) v souladu se standardní zkušební metodou a dá se použít k porovnání nářadí mezi sebou.

POZNÁMKA: Celkovou(é) hodnotu(y) deklarovaných vibrací lze také použít k předběžnému posouzení míry expozice vibracím.

VAROVÁNÍ: Emise vibrací se při používání elektrického nářadí ve skutečnosti mohou od deklarované(y) hodnot(y) lišit v závislosti na způsobech použití nářadí.

VAROVÁNÍ: Nezapomeňte stanovit bezpečnostní opatření na ochranu obsluhy podle odhadu expozice ve skutečných podmínkách použití. (Vezměte přitom v úvahu všechny části provozního cyklu, tj. kromě doby zátěže například doby, kdy je nářadí vypnuté a kdy běží naprázdno.)

Prohlášení ES o shodě

Pouze pro evropské země

Prohlášení ES o shodě je obsaženo v Příloze A tohoto návodu k obsluze.

BEZPEČNOSTNÍ VÝSTRAHY

Obecná bezpečnostní upozornění k elektrickému nářadí

VAROVÁNÍ: Přečtěte si všechny bezpečnostní výstrahy i pokyny a prohlédněte si ilustrace a specifikace dodané k tomuto elektrickému nářadí. Nedodržení všech níže uvedených pokynů může vést k úrazu elektrickým proudem, požáru či vážnému zranění.

Všechna upozornění a pokyny si uschovejte pro budoucí potřebu.

Pojem „elektrické nářadí“ v upozorněních označuje elektrické nářadí, které se zapojuje do elektrické sítě, nebo elektrické nářadí využívající akumulátory.

BEZPEČNOSTNÍ VÝSTRAHY K VRTACÍMU A SEKACÍMU KLADIVU

- Používejte ochranu sluchu.** Nadměrný hluk může způsobit ztrátu sluchu.
- Použijte pomocné držadlo (držadla), pokud je k nářadí dodáno.** Při ztrátě kontroly nad nářadím může dojít ke zranění.
- Při práci v místech, kde může dojít ke kontaktu řezacího příslušenství se skrytým elektrickým vedením nebo s vlastním napájecím kabelem, držte elektrické nářadí za izolované části držadel.** Řezací příslušenství může při kontaktu s vodičem pod napětím přenést proud do nechráněných částí nářadí a obsluha může utrpět úraz elektrickým proudem.

4. Používejte tvrdou ochranu hlavy (bezpečnostní přilbu), ochranné brýle a/nebo obličejový štít. Běžné dioptrické nebo sluneční brýle NEJSOU ochranné brýle. Velice se také doporučuje používat protiprachovou masku a silné polstrované rukavice.
5. Před zahájením provozu se přesvědčte, zda je uchycen pracovní nástroj.
6. Při běžném provozu nástroj vytváří vibrace. Šrouby se mohou snadno uvolnit a způsobit poruchu nebo nehodu. Před použitím pečlivě zkontrolujte utažení šroubů.
7. Za studeného počasí nebo pokud nebyl nástroj delší dobu používán nechejte nástroj na chvíli zahřívát provozováním bez zatížení. Tímto dojde k zahřátí maziva. Bez řádného zahřátí je použití funkce kladiva obtížné.
8. Vždy zaujměte stabilní postoj. Při práci s nářadím ve výškách dbejte, aby se pod vámi nepohybovaly žádné osoby.
9. Držte nářadí pevně oběma rukama.
10. Udržujte ruce mimo pohyblivé díly.
11. Nenechávejte nářadí běžet bez dozoru. S nářadím pracujte, jen když je držíte v rukou.
12. Nemířte nástrojem na žádnou osobu v místě provádění práce. Pracovní nástroj se může uvolnit a způsobit vážné zranění.
13. Bezprostředně po ukončení práce se nedotýkejte nástroje, dílů blízko nástroje ani obrobku; mohou dosahovat velmi vysokých teplot a popálit pokožku.
14. Některé materiály obsahují chemikálie, které mohou být jedovaté. Dávejte pozor, abyste nevedechovali prach nebo nedocházelo ke kontaktu s kůží. Dodržujte bezpečnostní pokyny dodavatele materiálu.
15. Nedotýkejte se zástrčky napájení mokřýma rukama.

TYTO POKYNY USCHOVEJTE.

VAROVÁNÍ: NEDOVOLTE, aby pohodlnost nebo pocit znalosti výrobku (získaný na základě předchozího použití) vedl k zanedbání dodržování bezpečnostních pravidel platných pro tento výrobek. NESPRÁVNÉ POUŽÍVÁNÍ či nedodržení bezpečnostních pravidel uvedených v tomto návodu k obsluze může způsobit vážné zranění.

POPIS FUNKCÍ

⚠️ UPOZORNĚNÍ: Před nastavováním nářadí nebo kontrolou jeho funkce se vždy přesvědčte, že je vypnuté a vytažené ze zásuvky.

Používání spouště

⚠️ UPOZORNĚNÍ: Před připojením nářadí do zásuvky vždy zkontrolujte, zda spoušť funguje správně a po uvolnění se vrací do vypnuté polohy.

Chcete-li nářadí uvést do chodu, stačí stisknout spoušť. Otáčky nářadí se zvyšují zvyšováním tlaku na spoušť. Chcete-li nářadí vypnout, uvolněte spoušť.

► **Obr.1:** 1. Spoušť

Rozsvícení předního světla

Pouze pro HR3011FC HR3012FC

⚠️ UPOZORNĚNÍ: Nedívejte přímo do světla nebo jeho zdroje.

Pracovní osvětlení se zapíná stisknutím spouště. Vypíná se uvolněním spouště.

► **Obr.2:** 1. Světlo

POZNÁMKA: K očištění nečistot ze skla světla použijte suchý hadřík. Dbejte, abyste sklo světla nepoškrábali. Mohlo by dojít ke snížení svítivosti.

Přepínání směru otáčení

⚠️ UPOZORNĚNÍ: Před zahájením provozu vždy zkontrolujte nastavený směr otáčení.

⚠️ UPOZORNĚNÍ: Směr otáčení přepínejte až po úplném zastavení nářadí. Provedete-li změnu směru otáčení před zastavením nářadí, může dojít k jeho poškození.

POZOR: Když měníte směr rotace, ujistěte se, že je přepínací páčka směru otáčení nastavena zcela na stranu A nebo B. Jinak se po stisku spouště nemusí motor otáčet nebo nářadí správně fungovat.

Toto nářadí je vybaveno přepínačem směru otáčení. Přesunutím přepínací páčky směru otáčení do polohy na straně A zapnete otáčení po směru hodinových ručiček a přepnutím do polohy na straně B otáčení proti směru hodinových ručiček.

► **Obr.3:** 1. Přepínací páčka směru otáčení



Výměna rychlovýměnného sklíčidla pro SDS-plus

Pouze pro HR3012FC

Rychlovýměnné sklíčidlo pro SDS-plus lze snadno vyměnit za rychlovýměnné sklíčidlo pro vrták.




Demontáž rychlovýměnného sklíčidla pro SDS-plus

⚠️ UPOZORNĚNÍ: Před montáží rychlovýměnného sklíčidla pro SDS-plus je nutno demontovat pracovní nástroj.

Uchopte otočnou objímku rychlovýměnného sklíčidla pro SDS-plus a otáčejte jí ve směru šipky, dokud se rýska na otočné objímce nepřesune ze symbolu  na symbol . Silně zatáhněte ve směru šipky.

- **Obr.4:** 1. Rychlovýměnné sklíčidlo pro SDS-plus
2. Otočná objímka 3. Rýska na otočné objímce

Montáž rychlovýměnného sklíčidla pro vrták

Zkontrolujte, zda rýska na rychlovýměnném sklíčidle pro vrták ukazuje na symbol . Uchopte otočnou objímku rychlovýměnného sklíčidla pro vrták a nastavte rýsku na symbol . Nasuňte rychlovýměnné sklíčidlo pro vrták na vřetení nástroje. Uchopte otočnou objímku rychlovýměnného sklíčidla pro vrták a nastavte rýsku na otočné objímce na symbol . Správné polohy je dosaženo, jakmile zazní cvaknutí.


- **Obr.5:** 1. Rychlovýměnné sklíčidlo pro vrták
2. Závitové vřetení 3. Rýska na otočné objímce 4. Otočná objímka

Výběr provozního režimu

POZOR: Neotáčejte voličem provozního režimu, je-li nářadí spuštěné. Dojde k poškození nástroje.


POZOR: Má-li být zamezeno rychlému opotřebení mechanismu přepínání režimu, dbejte, aby byl knoflík přepínání provozního režimu vždy řádně umístěn do jedné ze tří poloh provozního režimu.

Otáčení s přiklepem

Při vrtání do betonu, zdvia a podobných materiálů otočte volič provozního režimu na symbol . Použijte vrták s hrotem z karbidu wolframu (volitelné příslušenství).


- **Obr.6:** 1. Otáčení s přiklepem 2. Volič provozního režimu

Pouze otáčení

Při vrtání do dřeva, kovu či plastů otočte voličem provozního režimu na symbol . Použijte vrták se šroubovicí nebo vrták do dřeva.

- **Obr.7:** 1. Pouze otáčení

Pouze přiklep

Při sekání, otloukání nebo bourání otočte voličem provozního režimu na symbol . Použijte špičatý sekáč, plochý sekáč, široký sekáč apod.

- **Obr.8:** 1. Pouze přiklep

Omezovač točivého momentu

POZOR: Jakmile se aktivuje omezovač točivého momentu, vypněte okamžitě nástroj. Zamezte tak předčasnému opotřebení nástroje.

POZOR: Pracovní nástroje jako vrtací korunky, jež se v otvorech snadno zaseknou či vzpříčí, jsou pro toto nářadí nevhodné. Důvodem je, že způsobují příliš časté aktivování omezovače točivého momentu.

Omezovač točivého momentu se aktivuje při dosažení určité úrovně točivého momentu. Motor se odpojí od výstupního hřídele. Dojde-li k této situaci, vrták se zastaví.

Elektronické funkce

Nářadí je vybaveno elektronickými funkcemi usnadňujícími provozování.

- Regulátor konstantních otáček
Regulátor konstantních otáček zajišťuje stálou rychlost otáčení bez ohledu na úroveň zatížení.

Vzduchové vedení

Pouze pro HR3011FC HR3012FC

⚠️ UPOZORNĚNÍ: Nepokládejte prsty na vzduchové vedení a nevkládejte do něj žádné předměty. Jinak může dojít ke zranění vaší osoby, případně poškození nářadí.

Vzduchové vedení se připojuje k systému odsávání prachu. Jestliže používáte systém odsávání prachu, přečtěte si kapitolu o tomto systému.

- **Obr.9:** 1. Vzduchové vedení

SESTAVENÍ

⚠️ UPOZORNĚNÍ: Než začnete na nářadí provádět jakékoli práce, vždy se předtím přesvědčte, že je vypnuté a vytažené ze zásuvky.

Boční rukojeť (pomocné držadlo)

⚠️ UPOZORNĚNÍ: Z důvodu bezpečnosti práce vždy používejte boční rukojeť.

⚠️ UPOZORNĚNÍ: Po instalaci či nastavování boční rukojeti se ujistěte, že je boční rukojeť řádně upevněna.

Chcete-li namontovat boční rukojeť, dodržujte kroky níže.

1. Povolte křídlový šroub na boční rukojeti.

- **Obr.10:** 1. Křídlový šroub

2. Stiskněte křídlový šroub a boční rukojeť nasadte tak, aby drážky na rukojeti zapadly do výstupků na válci nářadí.

- **Obr.11:** 1. Křídlový šroub

3. Utáhněte křídlový šroub a zajistěte rukojeť. Rukojeť lze zajistit v požadovaném úhlu.

Vazelína

Před použitím naneste na dřív vrtáku malé množství vazelíny (přibližně 0,5 – 1 g). Toto promazání sklíčidla zajišťuje hladký provoz a delší provozní životnost.

Nasazení nebo vyjmutí vrtáku

Před nasazením vrtáku očistěte dřív vrtáku a naneste na něj vazelínu.

► **Obr.12:** 1. Dřív 2. Vazelína

Zasuňte vrták do nástroje. Otáčejte vrtákem a tlačte na něj, dokud se nezajistí na místě.

Po nasazení vrtáku se pokusem o vytažení vždy přesvědčte, zda je vrták bezpečně uchycen na svém místě.

► **Obr.13:** 1. Vrták

Chcete-li vrták vyjmout, stáhněte kryt sklíčidla úplně dolů a vrták vytáhněte.

► **Obr.14:** 1. Vrták 2. Kryt sklíčidla

Úhel sekáče (při sekání, otloukání nebo bourání)

Sekáč lze zajistit v požadovaném úhlu. Chcete-li změnit úhel sekáče, otočte volič provozního režimu na symbol O. Natočte sekáč na požadovaný úhel.

► **Obr.15:** 1. Volič provozního režimu

Otočte volič provozního režimu na symbol T. Poté se mírným otočením přesvědčte, zda je sekáč bezpečně uchycen na svém místě.

Hloubkový doraz

Hloubkoměr využijete při vrtání otvorů stejné hloubky. Stiskněte a podržte zajišťovací tlačítko a poté vložte do šestihranného otvoru hloubkoměr. Ujistěte se, že ozubená strana hloubkoměru směřuje ke značce.

► **Obr.16:** 1. Hloubkoměr 2. Blokovací tlačítko 3. Značka 4. Ozubená strana

Seřídte hloubkoměr pohybem tam a zpět, přitom držte zajišťovací tlačítko. Po seřízení uvolněte zajišťovací tlačítko a zajistěte tím hloubkoměr.

POZNÁMKA: Ujistěte se, že se při nasazování hloubkoměru nedotýká těla nástroje.

Protiprachová krytka

Volitelné příslušenství

Protiprachová krytka slouží jako prevence spadu prachu na nástroj a pracovníka při vrtání nad hlavou. Protiprachovou krytku nasadte podle obrázku. Velikost pracovních nástrojů, u kterých lze použít protiprachovou krytku, je následující.

| Model | Průměr nástroje |
|------------------------|-----------------|
| Protiprachová krytka 5 | 6 mm – 14,5 mm |
| Protiprachová krytka 9 | 12 mm – 16 mm |

► **Obr.17:** 1. Protiprachová krytka

Sada protiprachových krytek

Volitelné příslušenství

Pro modely HR3011FC, HR3001C

POZOR: Při používání sady protiprachových krytek v modelu HR3011FC a modelu HR3001C je zapotřebí také rozpěrka.

Před nasazením sady protiprachových krytek vyjměte z nářadí vrták, je-li nasazen.

Nasadte rozpěrku na sadu protiprachových krytek. Δ symbol na protiprachové krytce je zarovnaný s drážkou na rozpěrce.

► **Obr.18:** 1. Rozpěrka 2. Δ symbol 3. Drážka

Sadu protiprachových krytek s rozpěrkou nasadte na nářadí tak, aby byl symbol Δ na protiprachové krytce zarovnaný s drážkou v nářadí.

► **Obr.19:** 1. Δ symbol 2. Drážka

Chcete-li sejmut sadu protiprachových krytek, vytáhněte nástroj a tahejte kryt sklíčidla ve směru šípky.

► **Obr.20:** 1. Vrták 2. Kryt sklíčidla

Chytněte protiprachovou krytku za spodní část a vytáhněte ji.

► **Obr.21**

Pro model HR3012FC

Před nasazením sady protiprachových krytek vyjměte z nářadí vrták, je-li nasazen.

Sadu protiprachových krytek nasadte na nářadí tak, aby byl symbol Δ na protiprachové krytce vyrovnaný s drážkou v nářadí.

► **Obr.22:** 1. Δ symbol 2. Drážka

Chcete-li sejmut sadu protiprachových krytek, vytáhněte nástroj a tahejte kryt sklíčidla ve směru šípky.

► **Obr.23:** 1. Vrták 2. Kryt sklíčidla

Chytněte protiprachovou krytku za spodní část a vytáhněte ji.

► **Obr.24**

POZNÁMKA: Připojujete-li sadu protiprachových krytek k vysavači, před připojením odstraňte protiprachový uzávěr.

► **Obr.25:** 1. Protiprachový uzávěr

POZNÁMKA: Pokud vypadne uzávěr protiprachové krytky, nasadte jej potíštěnou stranou nahoru tak, aby drážka na uzávěru zapadla do vnitřního obvodu nástavce.

► **Obr.26**

Závěs nářadí

Volitelné příslušenství

VAROVÁNÍ: Nepoužívejte poškozený závěs nářadí a šroub.

VAROVÁNÍ: Se závěsem nářadí používejte vždy jen dodaný šroub.

VAROVÁNÍ: Před použitím závěsu nářadí vždy přezkontrolujte poškození, praskliny nebo deformace a zkontrolujte, zda je šroub utažený.

⚠️ UPOZORNĚNÍ: Závěs nářadí vždy instalujte nebo demontujte na stabilní lavici nebo ploše.

Závěs nářadí je určen pro připojení šňůry (upevňovacího pásu). Chcete-li namontovat závěs nářadí k nářadí, dodržujte kroky níže.

1. Odpojte zástrčku od zdroje napájení.
 2. Vložte výčnělky na závěsu nářadí do otvorů na nářadí.
 3. Šrouby pevně dotáhněte.
- **Obr.27:** 1. Závěs nářadí 2. Otvor 3. Výčnělek 4. Šroub

SYSTÉM ODSÁVÁNÍ PRACHU

Pouze pro HR3011FC HR3012FC

Volitelné příslušenství

Systém odsávání prachu je určen k odsávání prachu, když se provádí vrtání do betonu.

- **Obr.28:** 1. Systém odsávání prachu

⚠️ UPOZORNĚNÍ: Než začnete na nářadí provádět jakékoli práce, přesvědčte se předtím, že je vypnuté a vytažené ze zásuvky. Zanedbání může vést ke zraněním způsobeným náhodným spuštěním.

⚠️ UPOZORNĚNÍ: K systému odsávání prachu vždy je nutné připojit filtr. V opačném případě může dojít ke vdechnutí prachu.

⚠️ UPOZORNĚNÍ: Zkontrolujte, zda není filtr poškozen. V opačném případě může dojít ke vdechnutí prachu.

POZOR: Systém odsávání prachu nepoužívejte při vrtání pomocí vrtných korunek či drážkování. Systém odsávání prachu je určený pouze k vrtání.

POZOR: Systém odsávání prachu nepoužívejte při práci s kovem a dřevem. Systém odsávání prachu je určený pouze pro práci s betonem.

POZOR: Systém odsávání prachu nepoužívejte při vrtání do mokrého betonu nebo ve vlhkém prostředí. V opačném případě může dojít k poruše.

POZNÁMKA: Systém sběru prachu sbírá vytvořený prach vysokou rychlostí, ale přesto není sebrán všechny prach.

Montáž a demontáž systému sběru prachu

POZOR: Před montáží systému odsávání prachu očistěte spojovací části nářadí a systému odsávání prachu.

Cizí částice na spojovacích částech mohou způsobit potíže při montáži systému odsávání prachu. Potíže mohou způsobovat zejména cizí částice na elektrickém rozhraní.

Jestliže na vzduchovém vedení zůstane prach, může se zanést do nářadí a způsobit závalu na přívodu vzduchu nebo poškození nářadí.

Nasadte systém odsávání prachu na nářadí, zasuňte nářadí nadoraz do systému odsávání prachu, až zacvakne na místo. Poté se ujistěte, že je systém odsávání prachu pevně namontován.

- **Obr.29:** 1. Vzduchové vedení

Při demontáži systému odsávání prachu stiskněte odjišťovací tlačítko.

- **Obr.30:** 1. Odjišťovací tlačítko

Seřízení pozice hubice u systému odsávání prachu

⚠️ UPOZORNĚNÍ: Při odpojování hubice stisknutím tlačítka nastavení vodítka nemiňte hubici na sebe nebo jiné osoby.

Při stisknutém tlačítku nastavení vodítka tlače vodítko dovnitř a poté tlačítko nastavení vodítka pusťte v požadované pozici.

- **Obr.31:** 1. Vodítko 2. Tlačítko nastavení vodítka

Seřízení hloubky vrtání u systému odsávání prachu

Držte stisknuté tlačítko nastavení hloubky a při tom jej posuňte do požadované polohy. Vzdálenost (A) je hloubka vrtání.

- **Obr.32:** 1. Tlačítko nastavení hloubky

Vyklepávání prachu z filtru

⚠️ UPOZORNĚNÍ: Neotáčejte kolečkem na přihrádce na prach, když je přihrádka demontovaná ze systému odsávání prachu. Hrozí vdechnutí prachu.

⚠️ UPOZORNĚNÍ: Než otočíte kolečkem na přihrádce na prach, nářadí vždy nejprve vypněte. Otočením kolečka během toho, co je nářadí v provozu, může dojít ke ztrátě kontroly nad nářadím.

Vyklepáním prachu z filtru uvnitř přihrádky na prach lze udržet účinnost podtlaku a také snížit počet nutných likvidací prachu.

Po nasbírání každých 50 000 mm³ prachu nebo pokud máte pocit, že klesla výkonnost podtlaku, třikrát otočte voličem na přihrádce na prach.

POZNÁMKA: 50 000 mm³ ekvivalentu prachu při vrtání 10 děr o ø10 mm a hloubce 14 mm (2 otvorů o ø65" a hloubce 3/8").

- **Obr.33:** 1. Přihrádka na prach 2. Otočné kolečko

Vysypávání prachu

⚠️ UPOZORNĚNÍ: Při vysypávání prachu použijte prachovou masku.

⚠️ UPOZORNĚNÍ: Přihrádku na prach pravidelně vyprazdňujte, než se zcela zaplní. V opačném případě může dojít ke snížení účinnosti sběru prachu a následně ke vdechnutí prachu.

⚠️ UPOZORNĚNÍ: Filtr vyměňte za nový přibližně po 200 naplněních přihrádky na prach. Zanesený filtr může vést ke snížení účinnosti sběru prachu a následně ke vdechnutí prachu.

POZOR: Při čištění filtru rukou jemně poklepejte na kryt filtru a tím odstraňte prach. Neklepejte přímo na filtr; filtru se dotýkejte pomocí kartáčku nebo podobného nástroje, případně na filtr použijte stlačený vzduch. V opačném případě může dojít k poškození filtru.

1. Držte stisknutou páčku přihrádky na prach a vyjměte přihrádku na prach.

► Obr.34: 1. Páčka

2. Otevřete kryt přihrádky na prach.

► Obr.35: 1. Kryt

3. Vysypte prach a vyčistěte filtr.

► Obr.36

Výměna filtru přihrádky na prach

1. Držte stisknutou páčku přihrádky na prach a vyjměte přihrádku na prach. (Viz část o likvidaci prachu.)

2. Otevřete kryt filtru u přihrádky na prach.

► Obr.37: 1. Kryt filtru

3. Z pouzdra filtru vyjměte filtr.

► Obr.38: 1. Filtr 2. Pouzdro filtru

4. Vložte do pouzdra filtru nový filtr a poté nasadte kryt filtru.

5. Zavřete kryt přihrádky na prach a poté ji nasadte na systém odsávání prachu.

Výměna těsnicí krytky

Pokud je těsnicí krytka opotřebená, snižuje se účinnost sběru prachu. Pokud je opotřebená, vyměňte ji.

Vyjměte těsnicí krytku a nasadte novou s výstupkem směřujícím nahoru.

► Obr.39: 1. Výstupek 2. Těsnicí krytka

PRÁCE S NÁŘADÍM

▲UPOZORNĚNÍ: Při provádění práce vždy používejte boční rukojeť (pomocné držadlo) a nářadí pevně držte za boční rukojeť a rukojeť se spínačem.

▲UPOZORNĚNÍ: Před zahájením práce se vždy ujistěte, že je obrobek uchycen.

▲UPOZORNĚNÍ: Jestliže se bit/vrták zasekne, netahejte za nářadí silou. Při ztrátě kontroly nad nářadím může dojít k zranění.


▲UPOZORNĚNÍ: Pouze pro HR3011FC HR3012FC

Před použitím systému odsávání prachu s tímto nářadím si přečtěte si kapitolu o tomto systému.

► Obr.40

Režim přiklepevého vrtání


▲UPOZORNĚNÍ: V okamžiku, kdy vrták vniká do materiálu, působí na nářadí a na vrták obrovské a náhlé krotivé síly, pokud dojde k ucpání otvoru třískami a částicemi nebo při nárazu do vyztužovacích tyčí umístěných v betonu. **Při provádění práce vždy používejte boční rukojeť (pomocné držadlo) a nářadí pevně držte za boční rukojeť a rukojeť se spínačem.** V opačném případě můžete nad nářadím ztratit kontrolu a mohlo by dojít k těžkému zranění.

Nastavte volič provozního režimu na symbol . Umístěte vrták na požadované místo vytvoření otvoru a stiskněte spoušť. Nepoužívejte při práci s nářadím nadměrnou sílu. Nejlepších výsledků dosáhnete mírným tlakem. Nářadí udržujte v dané poloze a zamezte jeho vyklouznutí z otvoru.

Dojde-li k ucpání otvoru třískami nebo částicemi, nevyvíjejte na nářadí větší tlak. Namísto toho nechte nářadí běžet v pomalých otáčkách a částečně povytáhněte vrták z otvoru. Budete-li tento postup několikrát opakovat, otvor se vyčistí a budete moci pokračovat v dalším vrtání.

POZNÁMKA: Při spuštění nástroje bez zatížení může při otáčení vrtáku vzniknout výstřednost. Nástroj se při práci automaticky vystředí. Tento stav neovlivňuje přesnost vrtání.

Sekání / otloukání / bourání

Nastavte volič provozního režimu na symbol . Držte nářadí pevně oběma rukama. Uvedte nástroj do chodu a vyvíjejte na něj mírný tlak, aby nedošlo k nekontrolovanému odskočení nástroje.

Příliš velký tlak vyvíjený na nástroj nezvyšuje jeho účinnost.

► Obr.41

Vrtání do dřeva a kovu

▲UPOZORNĚNÍ: Držte nářadí pevně a dávejte pozor, jakmile vrták začne pronikat do obrobku. V okamžiku, kdy nástroj/vrták proniká materiálem, působí na nářadí a vrták značné síly.

▲UPOZORNĚNÍ: Uvíznutý vrták lze jednoduše uvolnit přepnutím přepínače směru otáčení do opačné polohy. Pokud však nářadí nedržíte pevně, může nečekaně vyskočit.

▲UPOZORNĚNÍ: Obrobky vždy upínejte do svěráku či do podobného upevňovacího zařízení.

POZOR: Nikdy nepoužívejte režim „otáčení s přiklepem“, pokud je na nářadí nasazeno rychloupínací sklíčidlo. Rychloupínací sklíčidlo by se mohlo poškodit.

Při obrácení otáček se také rychloupínací sklíčidlo uvolní.

POZOR: Nadměrným tlakem na nářadí vrtání neurchlíte. Ve skutečnosti tento nadměrný tlak vede jen k poškození hrotu vrtáku, snížení účinnosti nářadí a zkrácení jeho životnosti.

Nastavte volič provozního režimu na symbol .

Pro modely HR3011FC, HR3001C

Volitelné příslušenství

Nasaďte adaptér sklíčidla na bezklíčové sklíčidlo, do kterého lze instalovat šrouby velikosti 1/2"-20, a poté je nasaďte do nástroje. Při nasazování postupujte podle pokynů v části „Nasazení nebo vyjmutí vrtáku“.

► **Obr.42:** 1. Bezklíčové sklíčidlo 2. Adaptér sklíčidla

Pro model HR3012FC

Jako standardní vybavení použijte rychlovýmenné sklíčidlo. Při jeho instalaci postupujte podle pokynů v části „Výměna rychlovýmenného sklíčidla pro SDS-plus“.


Přidrže prsteneč a otáčením objímkou proti směru hodinových ručiček rozevřete čelisti sklíčidla. Zasuňte vrták co nejdále do sklíčidla. Pevně držte prsteneč a otáčením objímkou ve směru hodinových ručiček sklíčidlo utáhněte.

► **Obr.43:** 1. Objímka 2. Prsteneč

Při vytahování pracovního nástroje přidrže kroužek a otáčejte pouzdrem proti směru hodinových ručiček.

Vrtání pomocí diamantové vrtné korunky

POZOR: Budete-li vrtání pomocí diamantových vrtných korunek provádět v režimu „otáčení s přiklepem“, může dojít k poškození diamantové vrtné korunky.

Při vrtání pomocí diamantových vrtných korunek vždy umístěním voliče provozního režimu do polohy  vyberte režim „pouze otáčení“.

Výfukovací nástroj

Volitelné příslušenství

Po vyvrtání otvoru použijte k odstranění prachu z otvoru výfukovací nástroj.

► **Obr.44**

Použití sady protiprachových krytek

Volitelné příslušenství

Při používání nástroje nasaďte sadu protiprachových krytek proti stropu.

► **Obr.45**

POZOR: Sadu protiprachových krytek nepoužívejte při vrtání do kovu a podobných materiálů. Teplo vyprodukované drobným kovovým prachem či prachem podobných materiálů může sadu protiprachových krytek poškodit.

POZOR: Sadu protiprachových krytek nenasazujte na vrták ani nevytahujte z vrtáku, je-li vrták nasazen na nářadí. Pokud tak učiníte, hrozí poškození sady protiprachových krytek a únik prachu.

Připojování šňůry (upevňovacího pásu) k závěsu nářadí

⚠ Bezpečnostní varování specifická pro práce ve výškách

Přečtěte si veškerá bezpečnostní upozornění a všechny pokyny. Zanedbání dodržování upozornění a pokynů může mít za následek vážné zranění.

1. Při práci ve výškách mějte nářadí vždy připravené pomocí upevňovacího pásu či šňůry. Maximální délka šňůry je 2 m. Šňůra (upevňovací pás) nesmí připouštět výšku možného pádu větší než 2 m.
 2. Používejte pouze šňůry doporučené pro tento typ nářadí a s nosností minimálně 7,5 kg.
 3. Nepřipevňujte šňůru nářadí k čemukoliv na svém těle nebo k pohyblivým předmětům. Upevněte šňůru nářadí k pevnému bodu, který odolá silám při pádu nářadí.
 4. Před použitím se ujistěte, že je šňůra správně připravena na obou koncích.
 5. Zkontrolujte nářadí a šňůru před každým použitím, zda nejsou poškozené a fungují správně (včetně látky a stehů). Při poškození nebo nesprávné funkci nepoužívejte.
 6. Neomotávejte šňůru kolem ostrých nebo drsných hran a zabraňte, aby s nimi přišla do styku.
 7. Připojte druhý konec šňůry mimo pracovní oblast tak, aby bylo případné padající nářadí pevně zachyceno.
 8. Šňůru připevněte tak, aby se padající nářadí pohybovalo směrem od obsluhy. Upuštěné nářadí se na šňůře zhoupne, což může způsobit zranění nebo ztrátu rovnováhy.
 9. Nepoužívejte poblíž pohyblivých částí nebo běžících strojů. V opačném případě může vzniknout riziko rozdrčení nebo zachycení.
 10. Nepřinášejte nářadí za nástavec nebo šňůru.
 11. Nářadí předávejte z jedné ruky do druhé jen tehdy, jestliže máte dostatečnou rovnováhu.
 12. Nepřipevňujte šňůru k nářadí takovým způsobem, který brání správné funkci spínačů a pojistek (je-li součástí výbavy).
 13. Dávejte pozor, abyste se do šňůry nezamotali.
 14. Nepřibližujte šňůru k vrtací oblasti nářadí.
 15. Používejte vícečinné nebo šroubovací karabiny. Nepoužívejte jednočinné pružinové karabiny.
 16. Upuštěné nářadí musí být označeno a vyřazeno z používání. Musí jej prohlédnout společnost Makita nebo autorizované servisní centrum.
- **Obr.46:** 1. Závěs nářadí 2. Šňůra (upevňovací pás)

ÚDRŽBA

⚠ UPOZORNĚNÍ: Než začnete provádět kontrolu nebo údržbu nářadí, vždy se přesvědčte, že je vypnuté a vytažené ze zásuvky.

POZOR: Nikdy nepoužívejte benzín, benzen, ředidlo, alkohol či podobné prostředky. Mohlo by tak dojít ke změnám barvy, deformacím či vzniku prasklin.

K zachování BEZPEČNOSTI a SPOLEHLIVOSTI výrobku musí být opravy a veškerá další údržba či seřizování prováděny autorizovanými nebo továrními servisními středisky společnosti Makita s využitím náhradních dílů Makita.

VOLITELNÉ PŘÍSLUŠENSTVÍ

⚠ UPOZORNĚNÍ: Pro nářadí Makita popsané v tomto návodu doporučujeme používat následující příslušenství a nástavce. Při použití jiného příslušenství či nástavců může hrozit nebezpečí zranění osob. Příslušenství lze používat pouze pro stanovené účely.

Potřebujete-li bližší informace ohledně tohoto příslušenství, obraťte se na místní servisní středisko společnosti Makita.

- Vrtáky s karbidovým hrotem (vrtáky s karbidovým hrotem SDS-Plus)
- Vrtná korunka
- Tyč s hrotem
- Diamantová jádrová vrtná korunka
- Plochý sekáč
- Oškrť
- Drážkovací dláto
- Adaptér sklíčidla
- Bezklíčové sklíčidlo
- Vazelína na nástroj
- Hloubkoměr
- Vyfukovací nástroj
- Protiprachová krytka
- Sada protiprachových krytek
- Rozpěrka (pro HR3011FC, HR3001C)
- Systém odsávání prachu (pro HR3011FC, HR3012FC)
- Ochranné brýle
- Závěs nářadí

POZNÁMKA: Některé položky seznamu mohou být k nářadí přibaleny jako standardní příslušenství. Přibalené příslušenství se může v různých zemích lišit.

ТЕХНІЧНІ ХАРАКТЕРИСТИКИ

| Модель: | | HR3011FC | HR3012FC | HR3001C |
|-----------------------------------|-----------------------------------|----------------------------|--------------|--------------|
| Функціональні можливості | Бетон | 30 мм | | |
| | Колонкове свердло | 80 мм | | |
| | Свердло з алмазним осердям (сухе) | 80 мм | | |
| | Сталь | 13 мм | | |
| | Деревина | 32 мм | | |
| Швидкість у режимі холостого ходу | | 0 – 840 хв ⁻¹ | | |
| Ударів за хвилину | | 0 – 4 500 хв ⁻¹ | | |
| Загальна довжина | | 369 мм | 386 мм | 369 мм |
| Маса нетто | | 4,4 – 4,8 кг | 4,5 – 4,7 кг | 4,1 – 4,5 кг |
| Клас безпеки | | II | | |

Додаткове приладдя

| Модель: | DX10 (для HR3011FC) | DX11 (для HR3012FC) |
|-----------------------------|---|---------------------|
| Матеріали й режими роботи | Лише для свердління бетону (не підходить для металу й дерева, а також для колонкового свердління та довбання) | |
| Продуктивність всмоктування | 0,35 л/хв | |
| Робочий хід | До 190 мм | |
| Придатне свердло | До 265 мм | |
| Маса нетто | 1,2 кг | |

- Оскільки наша програма наукових досліджень і розробок триває безперервно, наведені тут технічні характеристики можуть бути змінені без попередження.
- У різних країнах технічні характеристики можуть бути різними.
- Вага може відрізнятися залежно від допоміжного обладнання. Найлегші та найважчі комплекти, відповідно до стандарту ЕРТА (Європейська асоціація виробників електроінструменту) від січня 2014 року, представлено в таблиці.

Призначення

Інструмент призначено для ударного свердління цегли, бетону й каміння, а також довбання.

Можна також застосовувати для неударного свердління деревини, металу, кераміки та пластмаси.

Джерело живлення

Інструмент можна підключати лише до джерела живлення, що має напругу, зазначену в таблиці із заводськими характеристиками, і він може працювати лише від однофазного джерела змінного струму. Він має подвійну ізоляцію, а отже може також підключатися до розеток без лінії заземлення.

Шум

Рівень шуму за шкалою А в типовому виконанні, визначений відповідно до стандарту EN60745-2-6:

Модель HR3011FC

Рівень звукового тиску (L_{pA}): 94 дБ (А)
Рівень звукової потужності (L_{WA}): 105 дБ (А)
Похибка (К): 3 дБ (А)

Модель HR3012FC

Рівень звукового тиску (L_{pA}): 93 дБ (А)
Рівень звукової потужності (L_{WA}): 104 дБ (А)
Похибка (К): 3 дБ (А)

Модель HR3001C

Рівень звукового тиску (L_{pA}): 94 дБ (А)
Рівень звукової потужності (L_{WA}): 105 дБ (А)
Похибка (К): 3 дБ (А)

Модель HR3011FC із DX10

Рівень звукового тиску (L_{pA}): 96 дБ(А)
Рівень звукової потужності (L_{WA}): 107 дБ (А)
Похибка (К): 3 дБ(А)

Модель HR3012FC із DX11

Рівень звукового тиску (L_{pA}): 94 дБ (А)
Рівень звукової потужності (L_{WA}): 105 дБ (А)
Похибка (К): 3 дБ (А)

ПРИМІТКА: Заявлене значення шуму було виміряно відповідно до стандартних методів тестування й може використовуватися для порівняння одного інструмента з іншим.

ПРИМІТКА: Заявлене значення шуму може також використовуватися для попереднього оцінювання впливу.

⚠ПОПЕРЕДЖЕННЯ: Користуйтеся засобами захисту органів слуху.

⚠ПОПЕРЕДЖЕННЯ: Залежно від умов використання рівень шуму під час фактичної роботи електроінструмента може відрізнятися від заявленого значення вібрації; особливо сильно на це впливає тип деталі, що оброблюється.

⚠ПОПЕРЕДЖЕННЯ: Забезпечте належні запобіжні заходи для захисту оператора, що відповідатимуть умовам використання інструмента (слід брати до уваги всі складові робочого циклу, як-от час, коли інструмент вимкнено та коли він починає працювати на холостому ході під час запуску).

Вібрація

У таблиці нижче наведено загальне значення вібрації (векторна сума трьох напрямків), визначене згідно із застосовним стандартом.

Модель HR3011FC

| Режим роботи | Вібрація | Похибка (К) | Відповідний стандарт |
|---|----------------------|----------------------|----------------------|
| Ударне свердління бетону ($a_{h, HD}$) | 9,5 м/с ² | 1,5 м/с ² | EN60745-2-6 |
| Ударне свердління бетону за допомогою DX10 ($a_{h, HD}$) | 9,5 м/с ² | 1,5 м/с ² | EN60745-2-6 |
| Довбання з використанням бокової рукоятки ($a_{h, CHed}$) | 6,0 м/с ² | 1,5 м/с ² | EN60745-2-6 |
| Свердління металу ($a_{h, D}$) | 5,5 м/с ² | 1,5 м/с ² | EN62841-2-1 |

Модель HR3012FC

| Режим роботи | Вібрація | Похибка (К) | Відповідний стандарт |
|---|----------------------|----------------------|----------------------|
| Ударне свердління бетону ($a_{h, HD}$) | 9,5 м/с ² | 1,5 м/с ² | EN60745-2-6 |
| Ударне свердління бетону за допомогою DX11 ($a_{h, HD}$) | 8,0 м/с ² | 1,5 м/с ² | EN60745-2-6 |
| Довбання з використанням бокової рукоятки ($a_{h, CHed}$) | 5,5 м/с ² | 1,5 м/с ² | EN60745-2-6 |
| Свердління металу ($a_{h, D}$) | 6,0 м/с ² | 1,5 м/с ² | EN62841-2-1 |

Модель HR3001C

| Режим роботи | Вібрація | Похибка (К) | Відповідний стандарт |
|---|-----------------------|----------------------|----------------------|
| Ударне свердління бетону ($a_{h, HD}$) | 13,5 м/с ² | 1,5 м/с ² | EN60745-2-6 |
| Довбання з використанням бокової рукоятки ($a_{h, CHed}$) | 11,0 м/с ² | 1,5 м/с ² | EN60745-2-6 |
| Свердління металу ($a_{h, D}$) | 6,0 м/с ² | 1,5 м/с ² | EN62841-2-1 |

ПРИМІТКА: Заявлене загальне значення вібрації було виміряно відповідно до стандартних методів тестування й може використовуватися для порівняння одного інструмента з іншим.

ПРИМІТКА: Заявлене загальне значення вібрації може також використовуватися для попереднього оцінювання впливу.

⚠ПОПЕРЕДЖЕННЯ: Залежно від умов використання вібрація під час фактичної роботи електроінструмента може відрізнятися від заявленого значення вібрації; особливо сильно на це впливає тип деталі, що оброблюється.

⚠ПОПЕРЕДЖЕННЯ: Забезпечте належні запобіжні заходи для захисту оператора, що відповідатимуть умовам використання інструмента (слід брати до уваги всі складові робочого циклу, як-от час, коли інструмент вимкнено та коли він починає працювати на холостому ході під час запуску).

Декларація про відповідність стандартам ЄС

Тільки для країн Європи

Декларацію про відповідність стандартам ЄС наведено в Додатку А до цієї інструкції з експлуатації.

ПОПЕРЕДЖЕННЯ ПРО ДОТРИМАННЯ ТЕХНІКИ БЕЗПЕКИ

Загальні застереження щодо техніки безпеки при роботі з електроінструментами

⚠ПОПЕРЕДЖЕННЯ: Уважно ознайомтеся з усіма попередженнями про дотримання правил техніки безпеки, інструкціями, ілюстраціями та технічними характеристиками, що стосуються цього електроінструмента. Невиконання будь-яких інструкцій, перелічених нижче, може призвести до ураження електричним струмом, пожежі та/або тяжких травм.

Збережіть усі інструкції з техніки безпеки та експлуатації на майбутнє.

Термін «електроінструмент», зазначений у інструкції з техніки безпеки, стосується електроінструмента, який функціонує від електромережі (електроінструмент з кабелем живлення), або електроінструмента з живленням від батареї (безпроводний електроінструмент).

ПОПЕРЕДЖЕННЯ ПРО НЕБЕЗПЕКУ ПІД ЧАС РОБОТИ З ПЕРФОРАТОРОМ

1. Користуйтеся засобами захисту органів слуху. Вплив шуму може призвести до втрати слуху.
2. Використовуйте допоміжну(і) ручку(и), якщо вона(и) поставляються разом з інструментом. Втрата контролю над інструментом може призвести до травмування.
3. Тримайте електроприлад за призначені для цього ізольовані поверхні під час виконання дії, за якої різальне приладдя може зачепити приховану електропроводку або власний шнур. Торкання різальним приладдям дроту під напругою може призвести до передавання напруги до оголених металевих частин інструмента та до ураження оператора електричним струмом.
4. Слід одягати каску (захисний шолом), захисні окуляри та (або) щиток-маску. Звичайні або сонцезахисні окуляри НЕ Є захисними. Настійно рекомендовано одягати пилозахисну маску та рукавиці з товстими підкладками.
5. Перед початком роботи обов'язково перевірте, щоб поволотно було надійно закріплене в робочому положенні.
6. При нормальній роботі інструмент вібрує. Гвинти можуть швидко розв'язатися, що призведе до полонки або поранення. Перед початком роботи слід перевірити міцність затягування гвинтів.
7. Під час холодної погоди або якщо інструмент довго не використовувався, його слід розігріти, давши попрацювати якийсь час на холостому ході. Це розм'якшить мастило. Якщо не провести розігрів, працювати з інструментом буде важко.
8. Обов'язково забезпечте надійну опору. При виконанні робіт з інструментом на висоті переконайтеся, що внизу нікого немає.
9. Міцно тримайте інструмент обома руками.
10. Не наближайте руки до деталей, що рухаються.
11. Не залишайте без нагляду інструмент, який працює. Працюйте з інструментом, тільки тримаючи його в руках.
12. Під час роботи ніколи не спрямовуйте інструмент на людину, що перебуває поруч із місцем роботи. Свердло може вискочити та завдати серйозної травми.
13. Не слід торкатися свердла, частин, що примикають до нього, або робочої деталі одразу після використання інструмента: вони можуть бути дуже гарячими та призвести до опіку шкіри.

14. Деякі матеріали мають у своєму складі токсичні хімічні речовини. Будьте обережні, щоб не допустити вдихання пилу та його контакту зі шкірою. Дотримуйтеся правил техніки безпеки виробника матеріалу.
15. Заборонено торкатися штепселя мокрими руками.

ЗБЕРІГАЙТЕ ЦІ ВКАЗІВКИ.

▲ ПОПЕРЕДЖЕННЯ: НІКОЛИ НЕ втрачайте пильності та не розслабляйтеся під час користування виробом (що можливо при частому використанні); обов'язково строго дотримуйтеся відповідних правил безпеки. **НЕНАЛЕЖНЕ ВИКОРИСТАННЯ** або недотримання правил техніки безпеки, викладених у цій інструкції з експлуатації, може призвести до серйозних травм.

ОПИС РОБОТИ

▲ ОБЕРЕЖНО: Перед тим як регулювати або перевіряти функціональність інструмента, обов'язково переконайтеся, що інструмент вимкнено й від'єднано від електромережі.

Дія вимикача

▲ ОБЕРЕЖНО: Перед тим як підключити інструмент до мережі, обов'язково переконайтеся, що курок вмикача належним чином спрацьовує та повертається в положення «ВИМК.», коли його відпускають.

Щоб увімкнути інструмент, просто натисніть на курок вмикача. Швидкість інструмента зростає, якщо збільшити тиск на курок вмикача. Щоб зупинити роботу, відпустіть курок вмикача.

► Рис.1: 1. Курок вмикача

Увімкнення переднього підсвічування

Лише для моделей HR3011FC HR3012FC

▲ ОБЕРЕЖНО: Не дивіться на світло або безпосередньо на джерело світла.

Для того щоб увімкнути підсвічування, натисніть на курок вмикача. Щоб вимкнути, відпустіть курок вмикача.

► Рис.2: 1. Лампа

ПРИМІТКА: Для очищення скла лампи підсвічування протріть її сухою тканиною. Будьте обережні, щоб не подряпати скло лампи підсвічування, тому що це погіршить освітлювання.

Робота перемикача реверсу

⚠ ОБЕРЕЖНО: Перед початком роботи обов'язково перевіряйте напрям обертання.

⚠ ОБЕРЕЖНО: Перемикач реверсу можна використовувати тільки після повної зупинки інструмента. Зміна напрямку обертання до повної зупинки інструмента може призвести до його пошкодження.

УВАГА: Під час зміни напрямку обертання важіль перемикача реверсу слід повністю посунути в бік А чи бік В. В іншому випадку в разі натискання курка вмикача двигун не запуститься або інструмент не працюватиме належним чином.

Цей інструмент обладнано перемикачем реверсу для зміни напрямку обертання. Для обертання за годинниковою стрілкою важіль перемикача реверсу слід пересунути в бік А, проти годинникової стрілки – у бік В.

► **Рис.3:** 1. Важіль перемикача реверсу



Заміна швидкороз'ємного патрона для SDS-plus

Тільки для HR3012FC

Швидкороз'ємний патрон для SDS-plus можна легко замінити на швидкороз'ємний патрон свердла.




Зняття швидкороз'ємного патрона для SDS-plus

⚠ ОБЕРЕЖНО: Перш ніж знімати швидкороз'ємний патрон для SDS-plus, обов'язково зніміть свердло.

Візьміться за змінну кришку швидкороз'ємного патрона для SDS-plus і поверніть її в напрямку, вказаному стрілкою, щоб лінія кришки перемістилася з символу  до символу . Із силою потягніть у напрямку, вказаному стрілкою.

► **Рис.4:** 1. Швидкороз'ємний патрон для SDS-plus
2. Змінна кришка 3. Лінія змінної кришки

Установлення швидкороз'ємного патрона свердла

Перевірте, щоб на лінії швидкороз'ємного патрона свердла було вказано символ . Візьміться за змінну кришку швидкороз'ємного патрона свердла та поверніть лінію до символу . Установіть швидкороз'ємний патрон свердла на шпindelь інструмента. Візьміться за змінну кришку швидкороз'ємного патрона свердла та повертайте її до символу  доки не почуєте виразне клацання.


► **Рис.5:** 1. Швидкороз'ємний патрон свердла
2. Шпindelь 3. Лінія змінної кришки
4. Змінна кришка

Вибір режиму роботи

УВАГА: Забороняється повертати ручку зміни режиму роботи, коли інструмент працює. Інструмент може пошкодитись.


УВАГА: Для запобігання швидкому зносові механізму зміни режиму слід перевіряти, щоб ручка зміни режиму завжди була переключена на один із трьох режимів роботи.

Обертання з відбиванням

Для свердління у бетоні, кладці тощо поверніть ручку зміни режиму роботи, встановивши її на символ . Використовуйте свердло з наконечником із карбиду вольфраму (додаткове приладдя).


► **Рис.6:** 1. Обертання з відбиванням 2. Ручка зміни режиму роботи

Тільки обертання

Для свердління дерева, металу або пластмаси слід перемкнути ручку зміни режиму роботи на символ . Використовуйте спіральне свердло або свердло для деревини.

► **Рис.7:** 1. Тільки обертання

Тільки відбивання

Під час виконання операцій із додання, шкребіння або демонтажу слід повернути ручку зміни режиму таким чином, щоб покажчик вказував на символ . Використовуйте пірамідальне долото, шлюсарне зубило, зубило для додання тощо.

► **Рис.8:** 1. Тільки відбивання

Обмежувач моменту

УВАГА: Відразу після спрацювання обмежувача моменту інструмент слід негайно вимикати. Це допоможе запобігти передчасному зносу інструмента.

УВАГА: Свердла, які легко защемляються або застрягають в отворі (наприклад, кільцева пилка), не підходять для використання з цим інструментом. Це призведе до занадто частого спрацювання обмежувача моменту.

Обмежувач моменту спрацьовує, коли досягнуто момент певної величини. Двигун відключає зчеплення з вихідним валом. Коли це трапляється, свердло перестає обертатись.

Електронні функції

Для полегшення роботи інструмент обладнано електронними функціями.

- Контроль постійної швидкості
Функція контролю швидкості забезпечує постійну швидкість обертання, незалежно від умов навантаження.

Повітряний канал

Лише для моделей HR3011FC HR3012FC

⚠ ОБЕРЕЖНО: Не вставляйте пальці чи інші об'єкти в повітряний канал. Недотримання цієї вимоги може призвести до травмування або пошкодження інструмента.

Повітряний канал з'єднаний із системою збирання пилу. Перш ніж використовувати систему збирання пилу, перегляньте розділ про систему збирання пилу.

► **Рис.9:** 1. Повітряний канал

ЗБОРКА

⚠ ОБЕРЕЖНО: Перед виконанням будь-яких робіт з інструментом обов'язково вимкніть його та відключіть від електромережі.

Бокова рукоятка (допоміжна ручка)

⚠ ОБЕРЕЖНО: Для забезпечення безпечної експлуатації обов'язково використовуйте бокову рукоятку.

⚠ ОБЕРЕЖНО: Після встановлення або регулювання бокової рукоятки слід переконатись, що вона надійно зафіксована.

Для встановлення бокової рукоятки виконайте зазначені нижче дії.

1. Послабте гвинт із накатаною головкою на боковій рукоятці.

► **Рис.10:** 1. Гвинт із накатаною головкою

2. Установлюйте бокову рукоятку, натискаючи гвинт із накатаною головкою, щоб виступи на ручці увійшли в пази на циліндричній частині інструмента.

► **Рис.11:** 1. Гвинт із накатаною головкою

3. Затягніть гвинт із накатаною головкою, щоб закріпити рукоятку. Рукоятку можна зафіксувати під необхідним кутом.

Мастило

Заздалегідь змастіть свердло невеликою кількістю мастила (приблизно 0,5—1 г).

Таке змащення патрона забезпечує гладку роботу та довший термін служби.

Установлення та зняття свердла

Очистіть свердло та нанесіть мастило, перш ніж встановлювати його.

► **Рис.12:** 1. Хвостовик 2. Мастило

Вставте свердло в інструмент. Проверніть свердло та просуньте його, доки воно не стане на місце. Після встановлення слід переконатися, що свердло вставлено надійно. Для цього спробуйте витягнути його.

► **Рис.13:** 1. Свердло

Щоб зняти свердло, потягніть униз кришку патрона та витягніть свердло.

► **Рис.14:** 1. Свердло 2. Кришка патрона

Кут долота (під час довшання, шкребіння або демонтажу)

Долото можна закріпити під необхідним кутом. Для зміни кута долота слід повернути ручку зміни режиму роботи в положення символу O. Встановіть долото під необхідним кутом.

► **Рис.15:** 1. Ручка зміни режиму роботи

Поверніть ручку зміни режиму роботи на символ T. Потім, злегка повернувши долото, переконайтеся, що воно надійно встановлене.

Обмежувач глибини

Обмежувач глибини зручно використовувати для свердління отворів однакової глибини. Натисніть кнопку блокування й, утримуючи її, вставте обмежувач глибини в шестигранний отвір. Переконайтеся в тому, що зазубрена сторона обмежувача глибини збігається з відміткою.

► **Рис.16:** 1. Обмежувач глибини 2. Кнопка блокування 3. Відмітка 4. Зазубрена сторона

Відрегулюйте положення обмежувача глибини, поворушивши його назад і вперед, натискаючи в цей момент кнопку блокування. Відрегулювавши обмежувач, відпустіть кнопку блокування, щоб зафіксувати його.

ПРИМІТКА: Переконайтеся, що під час установлення обмежувача глибини не торкається корпусу інструмента.

Пилозахисний ковпачок

Додаткове обладнання

Використовуйте пилозахисний ковпачок для запобігання падінню пилу на інструмент та на себе під час свердління. Установіть пилозахисний ковпачок на свердло, як показано на малюнку. Розміри свердел, на які можна встановлювати пилозахисний ковпачок такі.

| модель | Діаметр свердла |
|-------------------------|-----------------|
| Пилозахисний ковпачок 5 | 6 — 14,5 мм |
| Пилозахисний ковпачок 9 | 12 — 16 мм |

► **Рис.17:** 1. Пилозахисний ковпачок

Комплект пилозахисних ковпачків

Додаткове обладнання

Для моделей HR3011FC, HR3001C

УВАГА: Під час використання комплекту пилозахисних ковпачків HR3011FC, HR3001C також потрібна проміжна вставка.

Перед установленням комплекту пилозахисних ковпачків витягніть свердло з інструмента, якщо воно там є.

Прикріпіть проміжну вставку до комплекту пилозахисних ковпачків. Δ символ на пилозахисному ковпачку суміщено з пазом у проміжній вставці.

► **Рис.18:** 1. Проміжна вставка 2. Δ Символ 3. Паз

Установіть комплект пилозахисних ковпачків із проміжною вставкою на інструмент таким чином, щоб символ \triangle на пилозахисному ковпачку перебував на одній лінії з пазом на інструменті.

► **Рис.19:** 1. \triangle Символ 2. Паз

Щоб зняти комплект пилозахисних ковпачків, зніміть свердло, одночасно просуваючи кришку патрона в напрямку, вказаному стрілкою.

► **Рис.20:** 1. Свердло 2. Кришка патрона

Візьміться за корінь пилозахисного ковпачка та витягніть його.

► **Рис.21**

Для моделі HR3012FC

Перед установленням комплекту пилозахисних ковпачків витягніть свердло з інструмента, якщо воно там є.

Установіть комплект пилозахисних ковпачків на інструмент, так щоб символ \triangle на пилозахисному ковпачку знаходився на одній лінії з пазом на інструменті.

► **Рис.22:** 1. \triangle Символ 2. Паз

Щоб зняти комплект пилозахисних ковпачків, зніміть свердло, одночасно просуваючи кришку патрона в напрямку, вказаному стрілкою.

► **Рис.23:** 1. Свердло 2. Кришка патрона

Візьміться за корінь пилозахисного ковпачка та витягніть його.

► **Рис.24**

ПРИМІТКА: Якщо необхідно підключити пилосос до комплекту пилозахисних ковпачків, зніміть ковпачок перед підключенням.

► **Рис.25:** 1. Пилозахисний ковпачок

ПРИМІТКА: Якщо ковпачок від'єднується від пилозахисного ковпачка, установіть його перфорованою частиною догори таким чином, щоб паз на ковпачку ввійшов до внутрішньої периферії приладдя.

► **Рис.26**

Пристрій для підвішування інструмента

Додаткове обладнання

▲ПОПЕРЕДЖЕННЯ: Не використовуйте пошкоджений пристрій для підвішування інструмента й гвинт.

▲ПОПЕРЕДЖЕННЯ: Використовуйте лише гвинт, який входить до комплекту пристрою для підвішування інструмента.

▲ПОПЕРЕДЖЕННЯ: Перед використанням пристрою для підвішування інструмента огляньте його на наявність пошкоджень, тріщин та деформацій і переконайтеся, що гвинт затягнуто.

▲ОБЕРЕЖНО: Установлюйте або знімайте пристрій для підвішування інструмента на стійкому столі або іншій стійкій поверхні.

Пристрій для підвішування інструмента призначений для під'єднання стропа (страхувального ремня). Для установки пристрою для підвішування інструмента виконайте вказані далі дії.

1. Від'єднайте штекер від джерела живлення.
2. Вставте виступи пристрою для підвішування інструмента в отвори на інструменті.
3. Надійно затягніть гвинти.

► **Рис.27:** 1. Пристрій для підвішування інструмента 2. Отвір 3. Виступ 4. Гвинт

СИСТЕМА ЗБИРАННЯ ПИЛУ

Лише для моделей HR3011FC HR3012FC

Додаткове обладнання

Система збирання пилу призначена для забезпечення ефективного збирання пилу під час свердління бетону.

► **Рис.28:** 1. Система збирання пилу

▲ОБЕРЕЖНО: Перед виконанням будь-яких робіт з інструментом обов'язково вимкніть його й від'єднайте від електромережі. Недотримання цієї вимоги може призвести до травм унаслідок випадкового запуску інструмента.

▲ОБЕРЕЖНО: Завжди встановлюйте фільтр на систему збирання пилу. Невиконання цієї умови призведе до вдихання пилу.

▲ОБЕРЕЖНО: Переконайтеся, що фільтр не пошкоджений. Невиконання цієї умови може призвести до вдихання пилу.

УВАГА: Не використовуйте систему збирання пилу для колонкового свердління або довбання. Система збирання пилу призначена лише для свердління.

УВАГА: Не використовуйте систему збирання пилу для свердління металу або деревини. Система збирання пилу призначена лише для бетону.

УВАГА: Не використовуйте систему збирання пилу для свердління вологого бетону чи для свердління у вологому середовищі. Невиконання цієї умови може призвести до несправності системи.

ПРИМІТКА: Система збирання пилу на високій швидкості збирає пил, що утворюється, але вона може зібрати не весь пил.

Установлення й знімання системи збирання пилу

УВАГА: Перед установленням системи збирання пилу очистьте місця з'єднання на інструменті й систему збирання пилу.

Засмічення місць з'єднання може ускладнити встановлення системи збирання пилу. Зокрема, засмічення електричних з'єднань може призвести до несправності інструмента.

Якщо в повітряному каналі залишаться пил, цей пил потрапить усередину інструмента й призведе до порушення циркуляції повітря або виходу інструмента з ладу.

Зачепіть систему збирання пилу гачками за виїмки інструмента, а потім вставте її до упору таким чином, щоб вона зафіксувалася з тихим подвійним клацанням.

Після цього переконайтеся в надійності встановлення системи збирання пилу.

► **Рис.29:** 1. Повітряний канал

Під час знімання системи збирання пилу натисніть кнопку розблокування.

► **Рис.30:** 1. Кнопка блокування у вимкненому положенні

Регулювання положення сопла системи збирання пилу

⚠ОБЕРЕЖНО: Не направляйте сопло на себе чи на інших людей під час натискання кнопки регулювання напрямної для розблокування сопла.

Натисніть на напрямну, одночасно натискаючи кнопку регулювання напрямної, і відпустіть кнопку регулювання напрямної, коли напрямна стане в потрібне положення.

► **Рис.31:** 1. Напрямна 2. Кнопка регулювання напрямної

Регулювання глибини свердління на системі збирання пилу

Посуньте кнопку регулювання глибини в потрібне положення, натискаючи її. Відстань (A) відповідає глибині свердління.

► **Рис.32:** 1. Кнопка регулювання глибини

Очищення фільтра від пилу

⚠ОБЕРЕЖНО: Не повертайте диск на корпусі для збору пилу, якщо корпус від'єднано від системи збирання пилу. Це може призвести до вдихання пилу.

⚠ОБЕРЕЖНО: Завжди вимикайте інструмент, перш ніж повернути диск на корпусі для збору пилу. Повертання цього диска під час роботи інструмента може призвести до втрати контролю над інструментом.

Завдяки очищенню фільтра від пилу всередині корпусу для збору пилу можна підтримувати ефективність очищення пиლოსосом на належному рівні й знизити кількість операцій із видалення пилу. Повертайте диск на корпусі для збору пилу три рази після збору кожних 50 000 мм³ пилу або коли вважаєте, що якість очищення пиლოსосом знизилася.

ПРИМІТКА: 50 000 мм³ пилу дорівнює кількості пилу після просвердлювання 10 отворів діаметром 10 мм і 14 мм глибиною (2 отворів діам. 65" й 3/8" глибиною).

► **Рис.33:** 1. Корпус для збору пилу 2. Диск

Видалення пилу

⚠ОБЕРЕЖНО: Надягайте пилозахисну маску під час видалення пилу.

⚠ОБЕРЕЖНО: Регулярно спорожняйте корпус для збирання пилу, перш ніж він наповниться. Невиконання цієї умови може призвести до погіршення роботи системи збирання пилу й до вдихання пилу.

⚠ОБЕРЕЖНО: Рекомендовано замінити фільтр новим після того, як корпус для збору пилу заповниться приблизно 200 разів. Засмічення фільтра призведе до погіршення роботи системи збирання пилу й до вдихання пилу.

УВАГА: Під час очищення фільтра злегка торкніться корпусу фільтра рукою для видалення пилу. Не торкайтеся безпосередньо фільтра; не торкайтеся фільтра щіткою або аналогічними пристроями й не направляйте потік стисненого повітря на фільтр. Це може пошкодити фільтр.

1. Зніміть коробку для пилу, натиснувши важіль коробки для пилу.

► **Рис.34:** 1. Важіль

2. Відкрийте кришку коробки для пилу.

► **Рис.35:** 1. Кришка

3. Видаліть пил, а потім очистьте фільтр.

► **Рис.36**

Заміна фільтра коробки для пилу

1. Зніміть корпус для збору пилу, натиснувши важіль корпусу для збору пилу. (Див. розділ, що стосується видалення пилу.)

2. Відкрийте кришку фільтра корпусу для збору пилу.

► **Рис.37:** 1. Кришка фільтра

3. Зніміть фільтр із корпусу фільтра.

► **Рис.38:** 1. Фільтр 2. Корпус фільтра

4. Установіть новий фільтр у корпус фільтра, потім встановіть кришку фільтра.

5. Закрийте кришку контейнера для збирання пилу й прикріпіть контейнер для збирання пилу до системи збирання пилу.

Заміна ущільнювальної кришки

Якщо ущільнювальна кришка зношена, якість роботи системи збирання пилу погіршується. Замініть її, якщо вона зношена.

Зніміть ущільнювальну кришку, а потім приєднайте нову, так щоб виступ на ній був спрямований угору.

► **Рис.39:** 1. Виступ 2. Ущільнювальна кришка

РОБОТА

⚠ ОБЕРЕЖНО: Обов'язково використовуйте бокову рукоятку (допоміжна ручка) та міцно тримайте інструмент за бокову рукоятку та ручку з вимикачем під час роботи.

⚠ ОБЕРЕЖНО: Перед початком роботи переконайтеся, що робочі деталі надійно зафіксовані.

⚠ ОБЕРЕЖНО: Не витягайте інструмент силоміць, навіть якщо наконечник застряг. Втрата контролю над інструментом може призвести до травмування.


⚠ ОБЕРЕЖНО: Лише для моделей HR3011FC HR3012FC

Перш ніж використовувати систему збирання пилу з інструментом, перегляньте розділ про систему збирання пилу.

► **Рис.40**

Робота в режимі ударного свердління

⚠ ОБЕРЕЖНО: Під час пробивання отвору до інструмента/свердла прикладається величезне зусилля, коли отвір забивається уламками та частинками або у разі удару свердла об арматуру в бетоні. **Обов'язково використовуйте бокову рукоятку (допоміжна ручка) та міцно тримайте інструмент за бокову рукоятку та ручку з вимикачем під час роботи.** Недотримання цієї вимоги може призвести до втрати контролю над інструментом та важкого травмування.


Встановіть режим роботи, повернувши ручку, щоб вона вказувала на символ .

Приставайте свердло до місця, у якому необхідно зробити отвір, а потім натисніть на курок вимкача. Не прикладайте силу до інструмента. Невеликий тиск забезпечує найліпші результати. Тримайте інструмент у належному положенні та не давайте йому вискочити з отвору.

Не збільшуйте тиск, коли отвір забивається уламками та частинками. Натомість прокрутіть інструмент на холостому ходу, а потім частково вийміть свердло з отвору. Якщо це зробити декілька разів, отвір очиститься, і можна буде продовжити нормальне свердління.

ПРИМІТКА: Якщо інструмент працює без навантаження, під час роботи може спостерігатися ексцентричність в обертанні свердла. Під час роботи інструмент автоматично центрується. На точність свердління це не впливає.

Довбання/Шкребіння/Демонтаж

Встановіть режим роботи, повернувши ручку, щоб вона вказувала на символ .

Міцно тримайте інструмент обома руками.

Увімкнувши інструмент, злегка натисніть на нього, щоб він безконтрольно не хитався.

Сильне натискання на інструмент не підвищує ефективності.

► **Рис.41**

Свердління деревини або металу


⚠ ОБЕРЕЖНО: Слід тримати інструмент міцно та бути обережним, коли свердло починає входити в оброблювану деталь. Під час пробивання отвору до інструмента/свердла прикладається величезне зусилля.

⚠ ОБЕРЕЖНО: Свердло, яке застрягло, можна легко видалити, встановивши важіль перемикача реверсу на зворотний напрямок обертання, щоб отримати задній хід. Але якщо інструмент не тримати міцно, він може різко відскочити.

⚠ ОБЕРЕЖНО: Оброблювану деталь обов'язково необхідно затискати в лещатах або подібному пристрої фіксації.

УВАГА: Ніколи не використовуйте «обертання з відбіною дією», коли на інструменті встановлений патрон свердла. Патрон свердла може бути пошкоджений. Патрон свердла також знімається, якщо ввімкнути зворотний хід.

УВАГА: Прикладання до інструмента надмірного тиску не пришвидшує свердління. Насправді надмірний тиск може лише пошкодити свердло, погіршити характеристики інструмента та скоротити термін його експлуатації.

Поверніть ручку зміни режиму роботи, щоб вона вказувала на символ .

Для моделей HR3011FC, HR3001C

Додаткове обладнання

Приєднайте адаптер патрона до патрона свердла, що не потребує ключа, на який можна встановити гвинт на 1/2"-20, а потім установіть усе на інструмент. Під час його встановлення слід звертатися до розділу «Установлення та зняття свердла».

► **Рис.42:** 1. Патрон свердла, що не потребує ключа 2. Адаптер патрона

Для моделі HR3012FC

У якості стандартного обладнання слід використовувати швидкороз'ємний патрон свердла. Під час установлення див. розділ «Заміна швидкороз'ємного патрона для SDS-plus». Щоб відкрити кулачки патрона, поверніть муфту проти годинникової стрілки, втримуючи кільце.


Уставте свердло в патрон до упору. Щоб затягнути патрон, поверніть муфту за годинниковою стрілкою, міцно утримуючи кільце.

► **Рис.43:** 1. Муфта 2. Кільце

Щоб зняти свердло, поверніть муфту проти годинникової стрілки, втримуючи кільце.

Свердління алмазним свердлом

УВАГА: Якщо свердління виконується алмазним свердлом у режимі «обертання з відбиванням», то свердло з алмазним осердям може бути пошкоджено.

Під час свердління свердлом з алмазним осердям слід завжди пересувати ручку зміни режиму роботи в положення  для використання режиму «тільки обертання».

Повітродувка

Додаткове обладнання

Коли отвір буде просвердлено, можна очистити його від пилу повітродувкою.

► Рис.44

Використання комплекту пилозахисних ковпачків

Додаткове обладнання

Прикріпіть комплект пилозахисних ковпачків до стелі, коли використовуєте інструмент.

► Рис.45

УВАГА: Не використовуйте комплект пилозахисних ковпачків для свердління металу або подібних матеріалів. Це може пошкодити комплект пилозахисних ковпачків унаслідок впливу тепла від дрібног металевого пилу чи подібних речовин.

УВАГА: Не встановлюйте та не знімайте комплект пилозахисних ковпачків, якщо свердло знаходиться в інструменті. Це може пошкодити комплект пилозахисних ковпачків і призвести до витоку пилу.

Під'єднання стропа (страхувального ремня) до пристрою для підвішування інструмента

▲ Інструкції з техніки безпеки робіт на висоті. Ознайомтеся зі всіма застереженнями стосовно техніки безпеки та інструкціями. Недотримання відповідних застережень та інструкцій може призвести до серйозних травм.

1. Під час виконання робіт на висоті обов'язково користуйтеся страхувальним ремнем для фіксації інструмента. Максимальна довжина стропа становить 2 м. Максимальна допустима висота падіння для стропа (страхувального ремня) не повинна перевищувати 2 м.
2. Із цим інструментом слід використовувати тільки спеціальні стропи, розраховані на навантаження не менше 7,5 кг.
3. Не прикріплюйте строп інструмента до елементів одягу або до рухливих деталей. Прикріпіть строп інструмента до жорсткої конструкції, яка може витримати вагу інструменту, що падає.
4. Перед використанням переконайтеся в тому, що строп надійно закріплений з кожного кінця.

5. Перевіряйте інструмент і строп перед кожним використанням на предмет справності та пошкоджень (включаючи стан тканини та швів). Не використовуйте пошкоджене або несправне приладдя.
6. Не огортайте стропи навколо предметів з гострими або зазубленими краями і не допускайте контакту стропів з такими предметами.
7. Прикріпіть інший кінець стропа за межами робочої зони таким чином, щоб інструмент, що падає, надійно фіксувався.
8. Прикріпіть строп таким чином, щоб у разі падіння інструмент рухався в протилежному від оператора напрямку. Інструменти, що впали, розгойдуватимуться на стропах, що може призвести до травми або втрати балансу.
9. Не використовувати поблизу рухомих частин або обладнання, що працює. Недотримання цієї вимоги може призвести до механічних пошкоджень або заплутування.
10. Не переносьте інструмент, тримаючи за кріпильне пристосування або строп.
11. Перекладайте інструмент з однієї руки в іншу тільки перебуваючи в стійкому положенні.
12. Прикріплюючи стропа до інструмента, стежте за тим, щоб вони не перешкождали нормальній роботі перемикачів або механізмів блокування курка (якщо входить до комплекту).
13. Не допускайте заплутування в стропах.
14. Тримайте строп на відстані від зони свердління інструмента.
15. Використовуйте універсальні карабіни та карабіни з гвинтовим замком. Не використовуйте карабіни однобічної дії з пружинним фіксатором.
16. Інструмент, що впав, слід позначити, припинити його експлуатацію та відправити на завод або до авторизованого сервісного центру Makita для перевірки.

► Рис.46: 1. Пристрій для підвішування інструмента 2. Строп (страхувальний ремінь)

ТЕХНІЧНЕ ОБСЛУГОВУВАННЯ

▲ ОБЕРЕЖНО: Перш ніж проводити огляд або технічне обслуговування інструмента, переконайтеся, що його вимкнено й від'єднано від мережі.

УВАГА: Ніколи не використовуйте газолін, бензин, розріджувач, спирт та подібні речовини. Їх використання може призвести до зміни кольору, деформації або появи тріщин.

Для забезпечення БЕЗПЕКИ та НАДІЙНОСТІ продукції, її ремонт, а також роботи з обслуговування або регулювання повинні виконуватись уповноваженими або заводськими сервісними центрами Makita із використанням запчастин виробництва компанії Makita.

ДОДАТКОВЕ ПРИЛАДДЯ

⚠ ОБЕРЕЖНО: Це додаткове та допоміжне обладнання рекомендовано використовувати з інструментом Makita, зазначеним у цій інструкції з експлуатації. Використання будь-якого іншого додаткового та допоміжного обладнання може становити небезпеку травмування. Використовуйте додаткове та допоміжне обладнання лише за призначенням.

У разі необхідності отримати допомогу в більш детальному ознайомленні з оснащенням звертайтеся до місцевого сервісного центру Makita.

- Свердла з твердосплавним наконечником (свердла з твердосплавним наконечником SDS-Plus)
- Колонкове свердло
- Пірамідальне долото
- Свердло з алмазним осердям
- Слюсарне зубило
- Зубило для довбання
- Канавкове зубило
- Адаптер патрона
- Патрон свердла, що не потребує ключа
- Мастило для свердла
- Обмежувач глибини
- Повітродувка
- Пилозахисний ковпачок
- Комплект пилозахисних ковпачків
- Проміжна вставка (для HR3011FC, HR3001C)
- Система збирання пилю (для моделей HR3011FC, HR3012FC)
- Захисні окуляри
- Пристрій для підвішування інструмента

ПРИМІТКА: Деякі елементи списку можуть входити до комплекту інструмента як стандартне приладдя. Вони можуть відрізнятися залежно від країни.

SPECIFICAȚII

| Model: | | HR3011FC | HR3012FC | HR3001C |
|--------------------|---|-----------------------------|--------------|--------------|
| Capacități | Beton | 30 mm | | |
| | Burghiu de centrare | 80 mm | | |
| | Burghiu de centrare diamantat (tip uscat) | 80 mm | | |
| | Oțel | 13 mm | | |
| | Lemn | 32 mm | | |
| Turație în gol | | 0 – 840 min ⁻¹ | | |
| Lovituri pe minut | | 0 – 4.500 min ⁻¹ | | |
| Lungime totală | | 369 mm | 386 mm | 369 mm |
| Greutate netă | | 4,4 – 4,8 kg | 4,5 – 4,7 kg | 4,1 – 4,5 kg |
| Clasa de siguranță | | □/II | | |

Accesorii opționale

| Model: | DX10 (pentru HR3011FC) | DX11 (pentru HR3012FC) |
|---|---|------------------------|
| Piesă de prelucrat și mod de lucru aplicabile | doar pentru găurirea în beton (nu pentru metal sau lemn și nici pentru găurire cu burghiu de centrare sau pentru dăltuire) | |
| Capacitate de aspirație | 0,35 l/min | |
| Cursă de funcționare | Până la 190 mm | |
| Cap burghiu adecvat | Până la 265 mm | |
| Greutate netă | 1,2 kg | |

- Datorită programului nostru continuu de cercetare și dezvoltare, specificațiile pot fi modificate fără o notificare prealabilă.
- Specificațiile pot varia în funcție de țară.
- Greutatea poate diferi în funcție de accesoriu(ii). În tabel se prezintă combinația cea mai ușoară și cea mai grea, conform Procedurii EPTA 01/2014.

Destinația de utilizare

Mașina este destinată găuririi cu percuție și găuririi simple în cărămidă, beton și piatră, precum și lucrărilor de dăltuire.

De asemenea, este adecvată și pentru găurirea fără percuție în lemn, metal, ceramică și plastic.

Sursă de alimentare

Mașina trebuie conectată numai la o sursă de alimentare cu curent alternativ monofazat, cu tensiunea egală cu cea indicată pe plăcuța de identificare a mașinii. Acestea au o izolație dublă și, drept urmare, pot fi utilizate de la prize fără împământare.

Zgomot

Nivelul de zgomot normal ponderat A determinat în conformitate cu EN60745-2-6:

Model HR3011FC

Nivel de presiune acustică (L_{pA}): 94 dB(A)
 Nivel de putere acustică (L_{WA}): 105 dB(A)
 Marjă de eroare (K): 3 dB(A)

Model HR3012FC

Nivel de presiune acustică (L_{pA}): 93 dB(A)
 Nivel de putere acustică (L_{WA}): 104 dB(A)
 Marjă de eroare (K): 3 dB(A)

Model HR3001C

Nivel de presiune acustică (L_{pA}): 94 dB(A)
 Nivel de putere acustică (L_{WA}): 105 dB(A)
 Marjă de eroare (K): 3 dB(A)

Model HR3011FC cu DX10

Nivel de presiune acustică (L_{pA}): 96 dB(A)
 Nivel de putere acustică (L_{WA}): 107 dB(A)
 Marjă de eroare (K): 3 dB(A)

Model HR3012FC cu DX11

Nivel de presiune acustică (L_{pA}): 94 dB(A)
 Nivel de putere acustică (L_{WA}): 105 dB(A)
 Marjă de eroare (K): 3 dB(A)

NOTĂ: Valoarea (valorile) totală(e) a (ale) emisiilor de zgomot declarate a(u) fost măsurată(e) în conformitate cu o metodă de test standard și poate (pot) fi utilizată(e) pentru compararea unei uneelte cu alta.

NOTĂ: Valoarea (valorile) totală(e) a (ale) emisiilor de zgomot declarate poate (pot) fi, de asemenea, utilizată(e) într-o evaluare preliminară a expunerii.

⚠️ AVERTIZARE: Purtați echipament de protecție pentru urechi.

⚠️ AVERTIZARE: Emisiile de zgomot în timpul utilizării efective a unelei electrice poate diferi de valoarea (valorile) nivelului declarat, în funcție de modul în care unealta este utilizată, în special ce fel de piesă este prelucrată.

⚠️ AVERTIZARE: Asigurați-vă că identificați măsurile de siguranță pentru a proteja operatorul, acestea fiind bazate pe o estimare a expunerii în condiții reale de utilizare (luând în considerare toate părțile ciclului de operare, precum timpii în care unealta a fost oprită, sau a funcționat în gol, pe lângă timpul de declanșare).

Vibrații

Următorul tabel prezintă valoarea totală a vibrațiilor (suma vectorilor tri-axiali) determinată conform standardului aplicabil.

Model HR3011FC

| Mod de lucru | Emisie de vibrații | Marjă de eroare (K) | Standard aplicabil |
|--|----------------------|----------------------|--------------------|
| Găurire cu percuție în beton ($a_{h, HD}$) | 9,5 m/s ² | 1,5 m/s ² | EN60745-2-6 |
| Găurire cu percuție în beton cu DX10 ($a_{h, HD}$) | 9,5 m/s ² | 1,5 m/s ² | EN60745-2-6 |
| Funcție de dăltuire cu mâner lateral ($a_{h, Cheq}$) | 6,0 m/s ² | 1,5 m/s ² | EN60745-2-6 |
| Găurire în metal ($a_{h, D}$) | 5,5 m/s ² | 1,5 m/s ² | EN62841-2-1 |

Model HR3012FC

| Mod de lucru | Emisie de vibrații | Marjă de eroare (K) | Standard aplicabil |
|--|----------------------|----------------------|--------------------|
| Găurire cu percuție în beton ($a_{h, HD}$) | 9,5 m/s ² | 1,5 m/s ² | EN60745-2-6 |
| Găurire cu percuție în beton cu DX11 ($a_{h, HD}$) | 8,0 m/s ² | 1,5 m/s ² | EN60745-2-6 |
| Funcție de dăltuire cu mâner lateral ($a_{h, Cheq}$) | 5,5 m/s ² | 1,5 m/s ² | EN60745-2-6 |
| Găurire în metal ($a_{h, D}$) | 6,0 m/s ² | 1,5 m/s ² | EN62841-2-1 |

Model HR3001C

| Mod de lucru | Emisie de vibrații | Marjă de eroare (K) | Standard aplicabil |
|--|-----------------------|----------------------|--------------------|
| Găurire cu percuție în beton ($a_{h, HD}$) | 13,5 m/s ² | 1,5 m/s ² | EN60745-2-6 |
| Funcție de dăltuire cu mâner lateral ($a_{h, Cheq}$) | 11,0 m/s ² | 1,5 m/s ² | EN60745-2-6 |
| Găurire în metal ($a_{h, D}$) | 6,0 m/s ² | 1,5 m/s ² | EN62841-2-1 |

NOTĂ: Valoarea (valorile) totală(e) a (ale) nivelului de vibrații declarat a (au) fost măsurată(e) în conformitate cu o metodă de test standard și poate (pot) fi utilizată(e) pentru compararea unei unele cu alta.

NOTĂ: Valoarea (valorile) totală(e) a (ale) nivelului de vibrații declarat poate (pot) fi, de asemenea, utilizată(e) într-o evaluare preliminară a expunerii.

⚠️ AVERTIZARE: Nivelul de vibrații în timpul utilizării efective a unelei electrice poate diferi de valoarea (valorile) nivelului declarat, în funcție de modul în care unealta este utilizată, în special ce fel de piesă este prelucrată.

⚠️ AVERTIZARE: Asigurați-vă că identificați măsurile de siguranță pentru a proteja operatorul, acestea fiind bazate pe o estimare a expunerii în condiții reale de utilizare (luând în considerare toate părțile ciclului de operare, precum timpii în care unealta a fost oprită, sau a funcționat în gol, pe lângă timpul de declanșare).

Declarație de conformitate CE

Numai pentru țările europene

Declarația de conformitate CE este inclusă ca Anexa A în acest manual de instrucțiuni.

AVERTIZĂRI DE SIGURANȚĂ

Avertismente generale de siguranță pentru mașinile electrice

⚠️ AVERTIZARE: Citiți toate avertismentele privind siguranța, instrucțiunile, ilustrațiile și specificațiile furnizate cu această sculă electrică. Nerespectarea integrală a instrucțiunilor de mai jos poate cauza electrocutări, incendii și/sau vătămări corporale grave.

Păstrați toate avertismentele și instrucțiunile pentru consultări ulterioare.

Termenul „mașină electrică” din avertizări se referă la mașinile dumneavoastră electrice acționate de la rețea (prin cablu) sau cu acumulator (fără cablu).

AVERTISMENTE DE SIGURANȚĂ PRIVIND CIOCANUL ROTOPERCUTOR

1. **Purtați echipamente de protecție pentru urechi.** Expunerea la zgomot poate cauza pierderea auzului.
2. **Utilizați mânerul auxiliar, dacă sunt livrate cu mașina.** Pierderea controlului poate produce vătămări corporale.

3. Apucați mașina electrică de suprafețele izolate, atunci când efectuați o operațiune în cadrul căreia accesoriul de tăiere poate intra în contact cu cablurile ascunse sau cu propriul său cablu. Accesoriul de tăiere care intră în contact cu un fir aflat sub tensiune poate pune sub tensiune componentele metalice neizolate ale mașinii electrice și poate produce un șoc electric asupra operatorului.
4. Purtați o cască dură (cască de protecție), ochelari de protecție și/sau o mască de protecție. Ochelarii obișnuiți sau ochelarii de soare NU sunt ochelari de protecție. De asemenea, se recomandă insistent să purtați o mască de protecție contra prafului și mănuși de protecție groase.
5. Asigurați-vă că scula este fixată înainte de utilizare.
6. În condiții de utilizare normală, mașina este concepută să producă vibrații. Șuruburile se pot slăbi ușor, cauzând o defecțiune sau un accident. Verificați cu atenție strângerea șuruburilor înainte de utilizare.
7. În condiții de temperatură scăzută sau dacă mașina nu a fost utilizată o perioadă mai îndelungată, lăsați-o să se încălzească un timp prin acționarea ei în gol. Această acțiune va facilita lubrifierea. Operația de percuție este dificilă fără o încălzire prealabilă corespunzătoare.
8. Păstrați-vă echilibrul. Asigurați-vă că nu se află nicio persoană desedus atunci când folosiți mașina la înălțime.
9. Țineți mașina ferm cu ambele mâini.
10. Țineți mâinile la distanță de piesele în mișcare.
11. Nu lăsați mașina în funcțiune. Folosiți mașina numai când o țineți cu mâinile.
12. Nu îndreptați mașina către nicio persoană din jur în timpul utilizării. Scula poate fi aruncată din mașină și poate provoca vătămări corporale grave.
13. Nu atingeți scula, piesele din apropierea sculei sau piesa de prelucrat imediat după executarea lucrării; acestea pot fi extrem de fierbinți și pot provoca arsuri ale pielii.
14. Unele materiale conțin substanțe chimice care pot fi toxice. Aveți grijă să nu inhalați praful și evitați contactul cu pielea. Respectați instrucțiunile de siguranță ale furnizorului.
15. Nu atingeți fișa cu mâinile umede.

PĂSTRAȚI ACESTE INSTRUCȚIUNI.

⚠️ AVERTIZARE: NU permiteți comodității și familiarizării cu produsul (obținute prin utilizare repetată) să înlocuiască respectarea strictă a normelor de securitate pentru acest produs. **FOLOSIREA INCORECTĂ** sau nerespectarea normelor de securitate din acest manual de instrucțiuni poate provoca vătămări corporale grave.

DESCRIEREA FUNCȚIILOR

⚠️ ATENȚIE: Asigurați-vă că ați oprit mașina și că ați deconectat-o de la rețea înainte de a o regla sau de a verifica starea sa de funcționare.

Acționarea întrerupătorului

⚠️ ATENȚIE: Înainte de a conecta mașina la rețea, verificați dacă butonul declanșator funcționează corect și dacă revine la poziția „OFF” (oprit) atunci când este eliberat.

Pentru a porni mașina, trageți de butonul declanșator. Viteza mașinii poate fi crescută prin creșterea forței de apăsare pe butonul declanșator. Eliberați butonul declanșator pentru a opri mașina.

► Fig.1: 1. Buton declanșator

Aprinderea lămpii frontale

Doar pentru HR3011FC. HR3012FC

⚠️ ATENȚIE: Nu priviți direct în raza sau în sursa de lumină.

Pentru a aprinde lampa, acționați butonul declanșator. Eliberați butonul declanșator pentru a o stinge.

► Fig.2: 1. Lampă

NOTĂ: Folosiți o lavetă uscată pentru a șterge murdăria de pe lentila lămpii. Aveți grijă să nu zgâriați lentila lămpii deoarece, în caz contrar, iluminarea va fi redusă.

Funcția inversorului

⚠️ ATENȚIE: Verificați întotdeauna sensul de rotație înainte de utilizare.

⚠️ ATENȚIE: Folosiți inversorul numai după ce mașina s-a oprit complet. Schimbarea sensului de rotație înainte de oprirea mașinii poate avaria mașina.

NOTĂ: Când schimbați sensul de rotație, asigurați-vă că ați reglat complet inversorul în partea A sau în partea B. În caz contrar, când va fi tras butonul declanșator, este posibil ca motorul să nu se rotească sau mașina să nu funcționeze în mod corespunzător.

Această mașină dispune de un inversor pentru schimbarea sensului de rotație. Mutați pârghia de inversor în poziția din partea A pentru rotire spre dreapta sau în poziția din partea B pentru rotire spre stânga.

► Fig.3: 1. Pârghie de inversor



Schimbarea mandrinei rapide pentru SDS-plus

Numai pentru HR3012FC

Mandrina rapidă pentru SDS-plus poate fi înlocuită cu ușurință pentru mandrina de găurit rapidă.




Demontarea mandrinei rapide pentru SDS-plus

⚠️ ATENȚIE: Înainte de a demonta mandrina rapidă pentru SDS-plus, asigurați-vă că demontați capul.

Apucați manșonul de schimbare al mandrinei rapide pentru SDS-plus și rotiți-l în direcția indicată de săgeată până când linia de pe manșonul de schimbare se deplasează de la simbolul  la simbolul . Trageți cu putere în direcția indicată de săgeată.

- **Fig.4:** 1. Mandrină rapidă pentru SDS-plus
2. Manșon de schimbare 3. Linia de pe manșonul de schimbare

Instalarea mandrinei de găurit rapide

Verificați ca linia de pe mandrina de găurit rapidă să indice simbolul . Apucați manșonul de schimbare al mandrinei de găurit rapide și reglați linia la simbolul . Amplasați mandrina de găurit rapidă pe arborele mașinii. Apucați manșonul de schimbare al mandrinei de găurit rapide și rotiți linia de pe manșonul de schimbare la simbolul  până când se aude clar un clic.


- **Fig.5:** 1. Mandrină de găurit rapidă 2. Arbore 3. Linia de pe manșonul de schimbare 4. Manșon de schimbare

Selectarea modului de acționare

NOTĂ: Nu acționați butonul rotativ de schimbare a modului de acționare când mașina este în funcțiune. Mașina va fi avariată.


NOTĂ: Pentru a evita uzura rapidă a mecanismului de schimbare a modului de acționare, aveți grijă întotdeauna ca butonul rotativ de schimbare a modului de acționare să fie poziționat corect într-una dintre cele trei poziții corespunzătoare modurilor de acționare.

Rotire cu percuție

Pentru găurirea betonului, zidăriei etc., rotiți butonul rotativ de schimbare a modului de acționare la simbolul . Utilizați o sculă cu plăcuțe din aliaj dur de tungsten (accesoriu opțional).

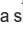
- **Fig.6:** 1. Rotire cu percuție 2. Buton rotativ de schimbare a modului de acționare

Rotire simplă

Pentru găurirea lemnului, metalului sau a materialelor plastice, rotiți butonul de schimbare a modului de acționare la simbolul . Folosiți un cap de burghiu elicoidal sau un cap de burghiu pentru lemn.

- **Fig.7:** 1. Rotire simplă

Percuție simplă

Pentru operații de spargere, curățare sau demolare, rotiți butonul rotativ de schimbare a modului de acționare la simbolul . Folosiți o dalță spiț, o dalță îngustă, o dalță lată etc.

- **Fig.8:** 1. Percuție simplă

Limitator de cuplu

NOTĂ: Opriti mașina de îndată ce limitatorul de cuplu începe să funcționeze. Astfel, veți evita uzura prematură a mașinii.

NOTĂ: Capetele de burghiu, cum ar fi coroana de găurit, care tind să se blocheze sau să se agațe ușor în gaură, nu sunt adecvate pentru această mașină. Acestea vor cauza acționarea prea frecventă a limitatorului de cuplu.

Limitatorul de cuplu va acționa atunci când se atinge o anumită valoare a cuplului. Motorul va fi decuplat de la arborele de ieșire. În acest caz, capul de burghiu nu se va mai roti.

Funcție electronică

Mașina este echipată cu funcții electronice pentru operare facilă.

- Control constant al vitezei
Funcția de control al vitezei furnizează viteza de rotație constantă indiferent de condițiile de sarcină.

Conductă de aer

Doar pentru HR3011FC, HR3012FC

⚠️ ATENȚIE: Nu puneți degetele în conducta de aer și nici nu introduceți orice alte obiecte în conducta de aer. În caz contrar, vă puteți răni sau mașina se poate deteriora.

Conducta de aer trebuie să fie conectată la sistemul de colectare a prafului.

Pentru utilizarea sistemului de colectare a prafului, citiți secțiunea referitoare la sistemul de colectare a prafului.

- **Fig.9:** 1. Conductă de aer

ASAMBLARE

⚠️ ATENȚIE: Asigurați-vă că ați oprit mașina și că ați deconectat-o de la rețea înainte de a efectua vreo intervenție asupra mașinii.

Mâner lateral (mâner auxiliar)

⚠️ ATENȚIE: Folosiți întotdeauna mânerul lateral pentru a garanta siguranța utilizării.

⚠️ ATENȚIE: După montarea sau reglarea mânerului lateral, asigurați-vă că acesta este fixat bine.

Pentru a instala mânerul lateral, urmați pașii de mai jos.

1. Slăbiți șurubul cu cap striat de pe mânerul lateral.
► **Fig.10:** 1. Șurub cu cap striat

2. Montați mânerul lateral în timp ce apăsați șurubul cu cap striat, astfel încât canelurile de pe mâner să se angreneze în protuberanțele de pe corpul mașinii.

- **Fig.11:** 1. Șurub cu cap striat

3. Strângeți șurubul cu cap striat pentru a fixa mânerul. Mânerul poate fi fixat la unghiul dorit.

Unsoare

Acoperiți capătul cozii capului de burghiu în prealabil cu o cantitate mică de unsoare (circa 0,5 - 1 g).

Această lubrifiere a mandrinei asigură o funcționare lină și o durată de exploatare prelungită.

Instalarea sau demontarea capului de burghiu

Curățați capătul cozii capului de burghiu și aplicați unsoare înainte de montarea capului de burghiu.

► **Fig.12:** 1. Capătul cozii 2. Unsoare

Introduceți capul de burghiu în mașină. Rotiți capul de burghiu și împingeți până când se cuplează.

După instalarea capului de burghiu, asigurați-vă întotdeauna că ați fixat ferm capul de burghiu, încercând să îl trageți afară.

► **Fig.13:** 1. Cap de burghiu

Pentru a demonta capul de burghiu, trageți manșonul mandrinei complet în jos și extrageți capul de burghiu.

► **Fig.14:** 1. Cap de burghiu 2. Manșonul mandrinei

Unghiul de atac al dălții (la operații de spargere, curățare sau demolare)

Daltea poate fi fixată la unghiul de atac dorit. Pentru a schimba unghiul de atac al dălții, rotiți butonul rotativ de schimbare a modului de acționare la simbolul O. Rotiți daltea la unghiul dorit.

► **Fig.15:** 1. Buton rotativ de schimbare a modului de acționare

Rotiți butonul rotativ de schimbare a modului de acționare la simbolul T. Apoi, asigurați-vă, printr-o rotire ușoară, că daltea este fixată ferm în poziție.

Profundor

Profundorul este util pentru efectuarea orificiilor cu o adâncime uniformă.

Apăsăți și țineți apăsat butonul de blocare, apoi introduceți profundorul în orificiul hexagonal. Asigurați-vă că partea dințată a profundorului este îndreptată către marcaj.

► **Fig.16:** 1. Profundor 2. Buton de blocare 3. Marcaj 4. Partea dințată

Reglați profundorul deplasându-l înapoi și înainte în timp ce apăsați butonul de blocare. După reglare, eliberați butonul de blocare pentru a bloca profundorul.

NOTĂ: Asigurați-vă că între calibrul de reglare și corpul principal al mașinii nu există niciun contact în momentul în care îl atășați.

Capac antipraf

Accesorii opționale

Folosiți capacul antipraf pentru a preveni curgerea prafului pe mașină și pe dumneavoastră atunci când executați operații de găurire deasupra capului. Atașați capacul antipraf pe burghiu după cum se vede în figură. Dimensiunile burghiilor la care poate fi atașat capacul antipraf sunt următoarele.

| Model | Diametrul burghiului |
|------------------|----------------------|
| Capac antipraf 5 | 6 mm - 14,5 mm |
| Capac antipraf 9 | 12 mm - 16 mm |

► **Fig.17:** 1. Capac antipraf

Set capace antipraf

Accesorii opționale

Pentru modelele HR3011FC, HR3001C

NOTĂ: Când se utilizează setul de capace antipraf cu HR3011FC sau HR3001C, este necesar și distanțierul.

Înainte de instalarea setului de capace antipraf, demontați burghiul de pe mașină, dacă este instalat.

Atașați distanțierul la setul de capace antipraf.

Simbolul Δ de pe setul de capace antipraf este aliniat cu canelura de pe distanțier.

► **Fig.18:** 1. Distanțier 2. Δ simbol 3. Canelură

Instalați setul de capace antipraf cu distanțierul pe mașină astfel încât simbolul Δ de pe capacul antipraf să fie aliniat cu canelura de pe mașină.

► **Fig.19:** 1. Δ simbol 2. Canelură

Pentru a scoate setul de capace antipraf, scoateți capul în timp ce împingeți manșonul mandrinei în direcția săgeții.

► **Fig.20:** 1. Cap de înșurubat 2. Manșonul mandrinei

Țineți baza capacului antipraf și trageți-l afară.

► **Fig.21**

Pentru modelul HR3012FC

Înainte de instalarea setului de capace antipraf, demontați burghiul de pe mașină, dacă este instalat.

Instalați setul de capace antipraf pe mașină astfel încât simbolul Δ de pe capacul antipraf să fie aliniat la canelura din mașină.

► **Fig.22:** 1. Δ simbol 2. Canelură

Pentru a scoate setul de capace antipraf, scoateți capul în timp ce împingeți manșonul mandrinei în direcția săgeții.

► **Fig.23:** 1. Cap de înșurubat 2. Manșonul mandrinei

Țineți baza capacului antipraf și trageți-l afară.

► **Fig.24**

NOTĂ: În cazul în care conectați un aspirator la setul de capace antipraf, scoateți capacul antipraf înainte de a-l conecta.

► **Fig.25:** 1. Capac antipraf

NOTĂ: În cazul în care capacul se desprinde de pe capacul antipraf, atașați-l cu partea imprimată orientată în sus, astfel încât canelura de pe capac să se angreneze în periferia interioară a accesoriului.

► **Fig.26**

Agățătoare mașină

Accesorii opționale

⚠️ AVERTIZARE: Nu utilizați agățătoarea mașinii și șurubul dacă sunt deteriorate.

⚠️ AVERTIZARE: Folosiți doar șurubul furnizat împreună cu agățătoarea mașinii.

⚠️ AVERTIZARE: Înainte de utilizarea agățătorii mașinii, verificați dacă există deteriorări, fisuri sau deformări și asigurați-vă că șurubul este strâns.

⚠️ ATENȚIE: Montați sau demontați agățătoarea mașinii pe o masă sau pe altă suprafață stabilă.

Agățătoarea mașină este destinată conectării curelei (curea sau de prindere). Pentru a monta agățătoarea mașină pe mașină, urmați pașii de mai jos.

1. Deconectați fișa de la sursa de alimentare.
2. Introduceți proeminențele agățătorii mașinii în orificiile de pe unealtă.
3. Strângeți ferm șuruburile.

► **Fig.27:** 1. Agățătoare mașină 2. Orificiu
3. Proeminență 4. Șurub

SISTEM DE COLECTARE A PRAFULUI

Doar pentru HR3011FC, HR3012FC

Accesorii opționale

Sistemul de colectare a prafului este conceput pentru a colecta în mod eficient praful în timpul operațiunii de găurire în beton.

► **Fig.28:** 1. Sistem de colectare a prafului

⚠️ ATENȚIE: Asigurați-vă că ați oprit mașina și că ați deconectat-o de la rețea înainte de a efectua orice intervenție asupra mașinii. În caz contrar, se pot produce vătămări corporale în urma pornirii accidentale.

⚠️ ATENȚIE: Atașați întotdeauna filtrul la sistemul de colectare a prafului. În caz contrar, praful poate fi inhalat.

⚠️ ATENȚIE: Asigurați-vă că filtrul nu este deteriorat. În caz contrar, praful poate fi inhalat.

NOTĂ: Nu utilizați sistemul de colectare a prafului pentru găurire cu burghiu de centrare sau pentru dăltuire. Sistemul de colectare a prafului este destinat numai pentru găurire.

NOTĂ: Nu utilizați sistemul de colectare a prafului pentru metal sau lemn. Sistemul de colectare a prafului este destinat numai pentru beton.

NOTĂ: Nu utilizați sistemul de colectare a prafului pentru găurire în beton umed și nu utilizați acest sistem în medii umede. În caz contrar, există risc de funcționare necorespunzătoare.

NOTĂ: Sistemul de colectare a prafului colectează praful generat într-o proporție semnificativă, însă nu tot praful poate fi colectat.

Montarea sau demontarea sistemului de colectare a prafului

NOTĂ: Înainte de instalarea sistemului de colectare a prafului, curățați părțile cu îmbinări ale mașinii și sistemul de colectare a prafului.

Materiile străine pe părțile cu îmbinări pot face dificilă montarea sistemului de colectare a prafului. În special, materiile străine de pe interfața electrică pot duce la funcționarea necorespunzătoare.

Dacă rămâne praf pe conducta de aer, praful intră în mașină și produce un blocaj al fluxului de aer sau defectarea mașinii.

Agățați sistemul de colectare a prafului pe mașină, apoi introduceți sistemul de colectare a prafului până la capăt, până când se fixează în poziție cu un mic clic dublu.

După aceea, asigurați-vă că sistemul de colectare a prafului este bine fixat.

► **Fig.29:** 1. Conductă de aer

Pentru a scoate sistemul de colectare a prafului, apăsați butonul de deblocare.

► **Fig.30:** 1. Buton de deblocare

Reglarea poziției duzei la sistemul de colectare a prafului

⚠️ ATENȚIE: Nu îndreptați duza înspre dumneavoastră sau înspre alte persoane atunci când eliberați duza trăgând butonul de reglare a ghidajului.

Împingeți ghidajul în interior în timp ce apăsați butonul de reglare a ghidajului și apoi eliberați butonul de reglare a ghidajului când ajunge în poziția dorită.

► **Fig.31:** 1. Ghidaj 2. Buton de reglare a ghidajului

Reglarea adâncimii de găurire a sistemului de colectare a prafului

Glisați butonul de reglare a adâncimii spre poziția dorită în timp ce îl apăsați. Distanța (A) este adâncimea de găurire.

► **Fig.32:** 1. Buton de reglare a adâncimii

Scuturarea prafului din filtru

⚠️ ATENȚIE: Nu rotiți selectorul de pe cutia pentru praf în timp ce cutia pentru praf este scoasă din sistemul de colectare a prafului. Acționarea lui poate duce la inhalarea prafului.

⚠️ ATENȚIE: Întotdeauna opriți scula când rotiți selectorul de pe cutia pentru praf. Rotirea selectorului în timp ce scula este în funcțiune poate duce la pierderea controlului asupra mașinii.

Prin scuturarea prafului din filtru în interiorul cutiei pentru praf, puteți menține eficiența aspirării și puteți reduce și frecvența cu care eliminați praful.

Rotiți discul rotativ de pe cutia pentru praf de trei ori după fiecare colectare a 50.000 mm³ de praf sau atunci când considerați că a scăzut performanța de aspirare.

NOTĂ: 50.000 mm³ de praf echivalează cu perforarea a 10 găuri cu diametrul de 10 mm și o adâncime de 14 mm (2 găuri cu diametrul de 65" și o adâncime de 3/8").

► **Fig.33:** 1. Cutie pentru praf 2. Disc rotativ

Eliminarea prafului

ATENȚIE: Purtați mască antipraf atunci când eliminați praful.

ATENȚIE: Goliți în mod regulat cutia pentru praf, înainte ca aceasta să se umple. În caz contrar, performanța de colectare a prafului poate scădea și se poate ajunge la inhalarea prafului.

ATENȚIE: Înlocuiți filtrul cu unul nou după aproximativ 200 de umpleri cu praf, orientativ. Un filtru înfundat scade performanța de colectare a prafului și se poate ajunge la inhalarea prafului.

NOTĂ: Atunci când curățați filtrul, loviți ușor cu mâna cutia filtrului pentru a îndepărta praful. Nu loviți filtrul direct, atingeți filtrul cu peria sau cu un alt obiect asemănător sau suflați aer comprimat pe acesta. În caz contrar, filtrul se poate deteriora.

1. Scoateți cutia pentru praf în timp ce apăsați în jos pârghia cutiei pentru praf.

► **Fig.34:** 1. Pârghie

2. Deschideți capacul cutiei pentru praf.

► **Fig.35:** 1. Capac

3. Eliminați praful și apoi curățați filtrul.

► **Fig.36**

Înlocuirea filtrului cutiei pentru praf

1. Scoateți cutia pentru praf în timp ce apăsați în jos pârghia cutiei pentru praf. (Consultați secțiunea referitoare la eliminarea prafului.)

2. Deschideți capacul filtrului de pe cutia pentru praf.

► **Fig.37:** 1. Capacul filtrului

3. Scoateți filtrul din carcasa filtrului.

► **Fig.38:** 1. Filtru 2. Carcasă filtru

4. Atașați un filtru nou în carcasa filtrului și apoi instalați capacul filtrului.

5. Închideți capacul cutiei pentru praf și apoi montați cutia la sistemul de colectare a prafului.

Înlocuirea capacului de etanșare

În cazul în care capacul de etanșare este uzat, performanța colectării prafului scade. Înlocuiți-l dacă este uzat.

Scoateți capacul de etanșare și apoi atașați unul nou cu proeminența acestuia orientată în sus.

► **Fig.39:** 1. Proeminență 2. Capac de etanșare

OPERAREA

ATENȚIE: Folosiți întotdeauna mânerul lateral (mânerul auxiliar) și țineți mașina ferm de mânerul lateral și mânerul cu comutator în timpul lucrului.

ATENȚIE: Asigurați-vă întotdeauna că piesa de prelucrat este fixată înainte de utilizare.

ATENȚIE: Nu trageți mașina cu forța, nici chiar în cazul în care capul rămâne blocat.

Pierderea controlului poate produce vătămări.


ATENȚIE: Doar pentru HR3011FC. HR3012FC

Înainte de utilizarea sistemului de colectare a prafului cu mașina, citiți secțiunea referitoare la sistemul de colectare a prafului.

► **Fig.40**

Operația de găurire cu percuție

ATENȚIE: Asupra mașinii/capului burghiului este exercitată o forță de răscuire enormă și bruscă în momentul în care orificiul este străpuns, dacă orificiul se înfundă cu așchii și particule sau dacă întâlniți barele de armătură încastrate în beton. **Folosiți întotdeauna mânerul lateral (mânerul auxiliar) și țineți mașina ferm de mânerul lateral și mânerul cu comutator în timpul lucrului.** În caz contrar, există riscul de a pierde controlul mașinii și de a suferi vătămări corporale grave.

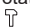
Reglați butonul rotativ de schimbare a modului de acțiune la simbolul .

Poziționați capul de burghiu în punctul de găurire dorit, apoi trageți de butonul declanșator. Nu forțați mașina. O presiune mai ușoară oferă cele mai bune rezultate. Mențineți mașina în poziție și împiedicați-o să alunece din gaură.

Nu aplicați o presiune mai mare dacă gaura se înfundă cu așchii sau particule. În schimb, lăsați mașina să funcționeze în gol și scoateți parțial capul de burghiu din gaură. Repetând această operație de mai multe ori, gaura va fi curățată și veți putea continua găurirea normală.

NOTĂ: Când acționați mașina fără sarcină poate apărea o rotație excentrică a capului de burghiu. Mașina se autocentrează în timpul funcționării. Aceasta nu afectează precizia de găurire.

Spargere/curățare/demolare

Reglați butonul rotativ de schimbare a modului de acțiune la simbolul .

Țineți mașina ferm cu ambele mâini. Porniți mașina și aplicați o ușoară presiune asupra acesteia astfel încât mașina să nu salte necontrolată.

Apăsarea cu putere a mașinii nu va spori eficiența acesteia.

► **Fig.41**

Găurirea în lemn sau metal


⚠️ ATENȚIE: Țineți mașina ferm și procedați cu atenție atunci când capul de burghiu trece prin piesa de prelucrat. Asupra mașinii/capului de burghiu este exercitată o forță enormă în momentul în care gaura este străpunsă.

⚠️ ATENȚIE: Un cap de burghiu blocat se poate debloca prin simpla setare a inversorului pentru rotația în sens invers, pentru retragere. Totuși, mașina se poate retrage brusc dacă nu o țineți ferm.

⚠️ ATENȚIE: Piesele trebuie fixate întotdeauna cu o menghină sau cu un alt dispozitiv similar de fixare.

NOTĂ: Nu utilizați niciodată „rotirea cu percuție” atunci când mandrina de găurit este instalată pe mașină. Mandrina de găurit se poate deteriora. De asemenea, mandrina de găurit se va desprinde în momentul inversării direcției de rotație a mașinii.

NOTĂ: Aplicarea unei forțe excesive asupra mașinii nu va grăbi operațiunea de găurire. De fapt, presiunea excesivă nu va face decât să deterioreze burghiul, reducând performanțele mașinii și durata de viață a acesteia.

Reglați butonul rotativ de schimbare a modului de acționare la simbolul .

Pentru modelele HR3011FC, HR3001C

Accesorii opționale

Atașați adaptorul mandrină la o mandrină de găurit fără cheie la care se poate instala un șurub de dimensiune 1/2"-20 și apoi instalați-le la mașină. La instalare, consultați secțiunea „Instalarea sau demontarea capului de burghiu”.

► **Fig.42:** 1. Mandrină de găurit fără cheie 2. Adaptor mandrină

Pentru modelul HR3012FC

Folosiți mandrina de găurit rapidă ca echipament standard. La momentul instalării, consultați „Schimbarea mandrinei rapide pentru SDS-plus”.

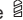
Țineți inelul și roțiți manșonul în sens antiorar pentru a deschide fâlcile mandrinei. Introduceți capul de înșurubat în mandrină până când se oprește. Țineți ferm inelul și roțiți manșonul în sens orar pentru a strânge mandrina.

► **Fig.43:** 1. Manșon 2. Inel

Pentru a îndepărta capul de înșurubat, țineți inelul și roțiți manșonul în sens anti-orar.

Găurirea cu burghiu de centrare diamantat

NOTĂ: Dacă executați operații de găurire cu un burghiu de centrare diamantat folosind modul „rotire cu percuție”, burghiul de centrare diamantat poate fi avariat.

Când executați operații de găurire cu un burghiu de centrare diamantat, reglați întotdeauna butonul rotativ de schimbare a modului de acționare  în poziția de „rotire simplă”.

Pară de suflare

Accesorii opționale

După găurire, folosiți para de suflare pentru a curăța praful din gaură.

► **Fig.44**

Utilizarea setului de capace antipraf

Accesorii opționale

Prindeți setul de capace antipraf pe plafon atunci când operați mașina.

► **Fig.45**

NOTĂ: Nu utilizați setul de capace antipraf când găuriți metal sau materiale similare. Acest lucru poate deteriora setul de capace antipraf din cauza căldurii produse de micile particule de praf de metal sau materiale similare.

NOTĂ: Nu instalați sau demontați setul de capace antipraf cu capul de burghiu instalat pe mașină. Acest lucru poate deteriora setul de capace antipraf și poate cauza scurgeri de praf.

Conectarea curelei (cureaua de prindere) la agățătoarea mașină

⚠️ Avertismente de siguranță specifice utilizării la înălțime
Citiți toate avertismentele de siguranță și toate instrucțiunile. Nerespectarea avertizărilor și instrucțiunilor poate conduce la vătămări grave.

1. **Atașați întotdeauna mașinii o curea atunci când lucrați „la înălțime”. Lungimea maximă a curelei este de 2 m. Înălțimea de cădere maximă admisă a curelei (cureaua de prindere) nu trebuie să depășească 2 m.**
2. **Utilizați doar curele adecvate pentru acest tip de mașină și aprobate pentru a susține o greutate de cel puțin 7,5 kg.**
3. **Nu ancorați cureaua uneieltei de corpul dvs. sau de componente mobile. Ancorați cureaua uneieltei de o structură rigidă care să poată susține forțele uneieltei aflate în cădere.**
4. **Asigurați-vă că ați fixat bine cureaua la fiecare capăt înainte de utilizare.**
5. **Inspectați unealta și cureaua înainte de fiecare utilizare pentru a identifica potențialele defecțiuni și dacă funcționarea este corectă (incluzând materialele textile și cusăturile). Nu continuați dacă observați defecțiuni sau dacă nu funcționează corespunzător.**

6. Nu înfășurați curelele în jurul dvs. și nu le permiteți să intre în contact cu muchii ascuțite sau aspre.
7. Prindeți fiecare capăt al curelei în afara zonei de lucru, pentru a putea fixa bine o unealtă în cădere.
8. Atașați cureaua astfel încât unealta să se distanțeze de operator în cazul în care cade. Unelele căzute vor rămâne agățate de curea, ceea ce ar putea provoca vătămări sau pierderea echilibrului.
9. Nu utilizați în apropierea pieselor în mișcare sau a utilajelor în funcțiune. În caz contrar, pot apărea accidente sau pericole.
10. Nu țineți unealta de dispozitivul de atașare sau de curea.
11. Mutați unealta dintr-o mână în alta doar dacă sunteți într-o poziție echilibrată.
12. Nu atașați curelele de mașină într-un mod care poate împiedica funcționarea corespunzătoare a declanșatorului sau a butoanelor de blocare (dacă există în dotare).
13. Evitați încurcarea în curea.
14. Țineți cureaua la distanță de zona de găurire a mașinii.
15. Utilizați carabine acționate multiplu și cu șuruburi. Nu utilizați carabine cu o singură acționare și cu arc.
16. În cazul în care unealta cade de la înălțime, trebuie etichetată și scoasă din funcțiune și trebuie inspectată de o fabrică Makita sau de un centru autorizat de service.

► Fig.46: 1. Agățătoare mașină 2. Curea (curea de prindere)

ÎNȚREȚINERE

ATENȚIE: Asigurați-vă întotdeauna că ați oprit mașina și că ați deconectat-o de la rețea înainte de a efectua operațiuni de inspecție sau întreținere.

NOTĂ: Nu utilizați niciodată gazolină, benzină, diluant, alcool sau alte substanțe asemănătoare. În caz contrar, pot rezulta decolorări, deformări sau fisuri.

Pentru a menține SIGURANȚA și FIABILITATEA produsului, reparațiile și orice alte lucrări de întreținere sau reglare trebuie executate de centre de service Makita autorizate sau proprii, folosind întotdeauna piese de schimb Makita.

ACCESORII OPȚIONALE

ATENȚIE: Folosiți accesoriile sau piesele auxiliare recomandate pentru mașina dumneavoastră Makita în acest manual. Utilizarea oricăror alte accesorii sau piese auxiliare poate prezenta risc de vătămare corporală. Utilizați accesorii și piesele auxiliare numai în scopul destinat.

Dacă aveți nevoie de asistență sau de mai multe detalii referitoare la aceste accesorii, adresați-vă centrului local de service Makita.

- Capete de burghiu cu plăcuțe de carburi metalice (capete cu plăcuțe de carburi metalice SDS-Plus)
- Burghiu de centrare
- Daltă șpiț
- Burghiu de centrare diamantat
- Daltă îngustă
- Daltă lată
- Daltă de canelat
- Adaptor mandrină
- Mandrină de găurit fără cheie
- Unsoare pentru burghie
- Profundor
- Pară de suflare
- Capac antipraf
- Set capace antipraf
- Distanțier (pentru HR3011FC și HR3001C)
- Sistem de colectare a prafului (pentru HR3011FC, HR3012FC)
- Ochelari de protecție
- Agățătoare mașină

NOTĂ: Unele articole din listă pot fi incluse ca accesorii standard în ambalajul de scule. Acestea pot diferi în funcție de țară.

TECHNISCHE DATEN

| Modell: | | HR3011FC | HR3012FC | HR3001C |
|-----------------------|--------------------------------|-----------------------------|--------------|--------------|
| Kapazitäten | Beton | 30 mm | | |
| | Bohrkrone | 80 mm | | |
| | Diamant-Bohrkrone (Trockentyp) | 80 mm | | |
| | Stahl | 13 mm | | |
| | Holz | 32 mm | | |
| Leerlaufdrehzahl | | 0 – 840 min ⁻¹ | | |
| Schlagzahl pro Minute | | 0 – 4.500 min ⁻¹ | | |
| Gesamtlänge | | 369 mm | 386 mm | 369 mm |
| Nettogewicht | | 4,4 – 4,8 kg | 4,5 - 4,7 kg | 4,1 – 4,5 kg |
| Sicherheitsklasse | | □/II | | |

Sonderzubehör

| Modell: | DX10 (für HR3011FC) | DX11 (für HR3012FC) |
|---------------------------------------|---|---------------------|
| Geeignete Werkstücke und Arbeitsmodus | nur für Bohren in Beton (nicht für Bohren in Metall oder Holz, und nicht für Kernbohr- oder Stemmarbeiten) | |
| Saugleistung | 0,35 l/min | |
| Betriebshub | Bis zu 190 mm | |
| Geeigneter Bohrereinsatz | Bis zu 265 mm | |
| Nettogewicht | 1,2 kg | |

- Wir behalten uns vor, Änderungen der technischen Daten im Zuge der Entwicklung und des technischen Fortschritts ohne vorherige Ankündigung vorzunehmen.
- Die technischen Daten können von Land zu Land unterschiedlich sein.
- Das Gewicht kann abhängig von den Aufsätzen unterschiedlich sein. Die leichteste und die schwerste Kombination, gemäß dem EPTA-Verfahren 01/2014, sind in der Tabelle angegeben.

Vorgesehene Verwendung

Das Werkzeug ist für Schlagbohren und Bohren in Ziegel, Beton und Stein sowie für Stemmarbeiten vorgesehen. Es eignet sich auch für normales Bohren in Holz, Metall, Keramik und Kunststoff.

Stromversorgung

Das Werkzeug sollte nur an eine Stromquelle angeschlossen werden, deren Spannung mit der Angabe auf dem Typenschild übereinstimmt, und kann nur mit Einphasen-Wechselstrom betrieben werden. Diese sind doppelt schutzisoliert und können daher auch an Steckdosen ohne Erdleiter verwendet werden.

Geräusch

Typischer A-bewerteter Geräuschpegel ermittelt gemäß EN60745-2-6:

Modell HR3011FC

Schalldruckpegel (L_{pA}): 94 dB (A)
Schalleistungspegel (L_{WA}): 105 dB (A)
Messunsicherheit (K): 3 dB (A)

Modell HR3012FC

Schalldruckpegel (L_{pA}): 93 dB (A)
Schalleistungspegel (L_{WA}): 104 dB (A)
Messunsicherheit (K): 3 dB (A)

Modell HR3001C

Schalldruckpegel (L_{pA}): 94 dB (A)
Schalleistungspegel (L_{WA}): 105 dB (A)
Messunsicherheit (K): 3 dB (A)

Modell HR3011FC mit DX10

Schalldruckpegel (L_{pA}): 96 dB (A)
Schalleistungspegel (L_{WA}): 107 dB (A)
Messunsicherheit (K): 3 dB (A)

Modell HR3012FC mit DX11

Schalldruckpegel (L_{pA}): 94 dB (A)
Schalleistungspegel (L_{WA}): 105 dB (A)
Messunsicherheit (K): 3 dB (A)

HINWEIS: Der (Die) angegebene(n) Schallemissionswert(e) wurde(n) im Einklang mit der Standardprüfmethode gemessen und kann (können) für den Vergleich zwischen Werkzeugen herangezogen werden.

HINWEIS: Der (Die) angegebene(n) Schallemissionswert(e) kann (können) auch für eine Vorbewertung des Gefährdungsgrads verwendet werden.

⚠️ WARNUNG: Einen Gehörschutz tragen.

⚠️ WARNUNG: Die Schallemission während der tatsächlichen Benutzung des Elektrowerkzeugs kann je nach der Benutzungsweise des Werkzeugs, und speziell je nach der Art des bearbeiteten Werkstücks, von dem (den) angegebenen Wert(en) abweichen.

⚠️ WARNUNG: Identifizieren Sie Sicherheitsmaßnahmen zum Schutz des Benutzers anhand einer Schätzung des Gefährdungsgrads unter den tatsächlichen Benutzungsbedingungen (unter Berücksichtigung aller Phasen des Arbeitszyklus, wie z. B. Ausschalt- und Leerlaufzeiten des Werkzeugs zusätzlich zur Betriebszeit).

HINWEIS: Der (Die) angegebene(n) Vibrationsgesamtwert(e) wurde(n) im Einklang mit der Standardprüfmethode gemessen und kann (können) für den Vergleich zwischen Werkzeugen herangezogen werden.

HINWEIS: Der (Die) angegebene(n) Vibrationsgesamtwert(e) kann (können) auch für eine Vorbewertung des Gefährdungsgrads verwendet werden.

⚠️ WARNUNG: Die Vibrationsemission während der tatsächlichen Benutzung des Elektrowerkzeugs kann je nach der Benutzungsweise des Werkzeugs, und speziell je nach der Art des bearbeiteten Werkstücks, von dem (den) angegebenen Emissionswert(en) abweichen.

⚠️ WARNUNG: Identifizieren Sie Sicherheitsmaßnahmen zum Schutz des Benutzers anhand einer Schätzung des Gefährdungsgrads unter den tatsächlichen Benutzungsbedingungen (unter Berücksichtigung aller Phasen des Arbeitszyklus, wie z. B. Ausschalt- und Leerlaufzeiten des Werkzeugs zusätzlich zur Betriebszeit).

Schwingungen

Die folgende Tabelle zeigt den gemäß dem zutreffenden Standard ermittelten Vibrationsgesamtwert (Drei-Achsen-Vektorsumme).

Modell HR3011FC

| Arbeitsmodus | Vibrationsemission | Messunsicherheit (K) | Zutreffender Standard |
|--|----------------------|----------------------|-----------------------|
| Hammerbohren in Beton ($a_{h, HD}$) | 9,5 m/s ² | 1,5 m/s ² | EN60745-2-6 |
| Hammerbohren in Beton mit DX10 ($a_{h, HD}$) | 9,5 m/s ² | 1,5 m/s ² | EN60745-2-6 |
| Meißelfunktion mit Seitengriff ($a_{h, Cheq}$) | 6,0 m/s ² | 1,5 m/s ² | EN60745-2-6 |
| Bohren in Metall ($a_{h, D}$) | 5,5 m/s ² | 1,5 m/s ² | EN62841-2-1 |

Modell HR3012FC

| Arbeitsmodus | Vibrationsemission | Messunsicherheit (K) | Zutreffender Standard |
|--|----------------------|----------------------|-----------------------|
| Hammerbohren in Beton ($a_{h, HD}$) | 9,5 m/s ² | 1,5 m/s ² | EN60745-2-6 |
| Hammerbohren in Beton mit DX11 ($a_{h, HD}$) | 8,0 m/s ² | 1,5 m/s ² | EN60745-2-6 |
| Meißelfunktion mit Seitengriff ($a_{h, Cheq}$) | 5,5 m/s ² | 1,5 m/s ² | EN60745-2-6 |
| Bohren in Metall ($a_{h, D}$) | 6,0 m/s ² | 1,5 m/s ² | EN62841-2-1 |

Modell HR3001C

| Arbeitsmodus | Vibrationsemission | Messunsicherheit (K) | Zutreffender Standard |
|--|-----------------------|----------------------|-----------------------|
| Hammerbohren in Beton ($a_{h, HD}$) | 13,5 m/s ² | 1,5 m/s ² | EN60745-2-6 |
| Meißelfunktion mit Seitengriff ($a_{h, Cheq}$) | 11,0 m/s ² | 1,5 m/s ² | EN60745-2-6 |
| Bohren in Metall ($a_{h, D}$) | 6,0 m/s ² | 1,5 m/s ² | EN62841-2-1 |

EG-Konformitätserklärung

Nur für europäische Länder

Die EG-Konformitätserklärung ist als Anhang A in dieser Bedienungsanleitung enthalten.

SICHERHEITSWARNUNGEN

Allgemeine Sicherheitswarnungen für Elektrowerkzeuge

⚠️ WARNUNG: Lesen Sie alle mit diesem Elektrowerkzeug gelieferten Sicherheitswarnungen, Anweisungen, Abbildungen und technischen Daten durch. Eine Missachtung der unten aufgeführten Anweisungen kann zu einem elektrischen Schlag, Brand und/oder schweren Verletzungen führen.

Bewahren Sie alle Warnungen und Anweisungen für spätere Bezugnahme auf.

Der Ausdruck „Elektrowerkzeug“ in den Warnhinweisen bezieht sich auf Ihr mit Netzstrom (mit Kabel) oder Akku (ohne Kabel) betriebenes Elektrowerkzeug.

SICHERHEITSWARNUNGEN FÜR BOHRHAMMER

1. **Tragen Sie Gehörschützer.** Lärmeinwirkung kann Gehörschädigung verursachen.
2. **Benutzen Sie (einen) Zusatzgriff(e), sofern er (sie) mit dem Werkzeug geliefert wurde(n).** Verlust der Kontrolle kann Personenschäden verursachen.

3. Halten Sie das Elektrowerkzeug nur an den isolierten Griffflächen, wenn Sie Arbeiten ausführen, bei denen die Gefahr besteht, dass verborgene Kabel oder das eigene Kabel kontaktiert werden. Bei Kontakt mit einem Strom führenden Kabel können die freiliegenden Metallteile des Elektrowerkzeugs ebenfalls Strom führend werden, so dass der Benutzer einen elektrischen Schlag erleiden kann.
4. Tragen Sie Schutzhelm, Schutzbrille und/oder Gesichtsschutz. Eine gewöhnliche Brille oder Sonnenbrille ist KEIN Ersatz für eine Schutzbrille. Das Tragen einer Staubmaske und dick gepolsterter Handschuhe ist ebenfalls zu empfehlen.
5. Vergewissern Sie sich vor der Arbeit, dass der Einsatz sicher montiert ist.
6. Das Werkzeug erzeugt konstruktionsbedingt Vibrationen bei normalem Betrieb. Durch Lockerung von Schrauben kann es zu einem Ausfall oder Unfall kommen. Unterziehen Sie die Schrauben vor der Arbeit einer sorgfältigen Festigkeitsprüfung.
7. Lassen Sie das Werkzeug bei niedrigen Temperaturen oder nach längerer Nichtbenutzung eine Zeit lang im Leerlauf warm laufen. Dadurch wird die Schmierung verbessert. Betrieb im kalten Zustand erschwert die Schlagbohrarbeit.
8. Achten Sie stets auf sicheren Stand. Vergewissern Sie sich bei Einsatz des Werkzeugs an hochgelegenen Arbeitsplätzen, dass sich keine Personen darunter aufhalten.
9. Halten Sie das Werkzeug mit beiden Händen fest.
10. Halten Sie Ihre Hände von beweglichen Teilen fern.
11. Lassen Sie das Werkzeug nicht unbeaufsichtigt laufen. Benutzen Sie das Werkzeug nur mit Handhaltung.
12. Richten Sie das Werkzeug während des Betriebs nicht auf umstehende Personen. Der Einsatz könnte herausschnellen und schwere Verletzungen verursachen.
13. Vermeiden Sie eine Berührung des Einsatzes, der umliegenden Teile oder des Werkstücks unmittelbar nach der Bearbeitung, weil die Teile noch sehr heiß sind und Hautverbrennungen verursachen können.
14. Manche Materialien können giftige Chemikalien enthalten. Treffen Sie Vorsichtsmaßnahmen, um das Einatmen von Arbeitsstaub und Hautkontakt zu verhindern. Befolgen Sie die Sicherheitsdaten des Materiallieferanten.
15. Fassen Sie den Netzstecker nicht mit nassen Händen an.

DIESE ANWEISUNGEN AUFBEWAHREN.

⚠️ WARNUNG: Lassen Sie sich NICHT durch Bequemlichkeit oder Vertrautheit mit dem Produkt (durch wiederholten Gebrauch erworben) von der strikten Einhaltung der Sicherheitsregeln für das vorliegende Produkt abhalten. MISSBRAUCH oder Missachtung der Sicherheitsvorschriften in dieser Anleitung können schwere Verletzungen verursachen.

FUNKTIONSBESCHREIBUNG

⚠️ VORSICHT: Vergewissern Sie sich vor jeder Einstellung oder Funktionsprüfung des Werkzeugs stets, dass es ausgeschaltet und vom Stromnetz getrennt ist.

Schalterfunktion

⚠️ VORSICHT: Vergewissern Sie sich vor dem Anschließen des Werkzeugs an das Stromnetz stets, dass der Ein-Aus-Schalter ordnungsgemäß funktioniert und beim Loslassen in die AUS-Stellung zurückkehrt.

Drücken Sie zum Einschalten des Werkzeugs einfach den Ein-Aus-Schalter. Die Drehzahl erhöht sich durch verstärkte Druckausübung auf den Ein-Aus-Schalter. Lassen Sie den Ein-Aus-Schalter zum Anhalten los.

► **Abb.1:** 1. Ein-Aus-Schalter

Einschalten der Frontlampe

Nur für HR3011FC, HR3012FC

⚠️ VORSICHT: Blicken Sie nicht direkt in die Lampe oder die Lichtquelle.

Betätigen Sie den Auslöseschalter zum Einschalten der Lampe. Lassen Sie zum Ausschalten den Auslöseschalter los.

► **Abb.2:** 1. Lampe

HINWEIS: Wischen Sie Schmutz auf der Lampenlinse mit einem trockenen Tuch ab. Achten Sie sorgfältig darauf, dass Sie die Lampenlinse nicht kratzen, weil sich sonst die Lichtstärke verringert.

Funktion des Drehrichtungsumschalters

⚠️ VORSICHT: Prüfen Sie stets die Drehrichtung, bevor Sie mit der Arbeit beginnen.

⚠️ VORSICHT: Betätigen Sie den Drehrichtungsumschalter erst, nachdem das Werkzeug völlig zum Stillstand gekommen ist. Durch Umschalten der Drehrichtung bei noch laufendem Werkzeug kann das Werkzeug beschädigt werden.

ANMERKUNG: Achten Sie beim Ändern der Drehrichtung unbedingt darauf, den Drehrichtungsumschalter vollständig auf die Seite A oder die Seite B zu stellen. Anderenfalls läuft der Motor beim Betätigen des Auslöseschalters eventuell nicht, oder das Werkzeug funktioniert u. U. nicht ordnungsgemäß.

Dieses Werkzeug besitzt einen Drehrichtungsumschalter. Stellen Sie den Drehrichtungsumschalthebel für Drehung im Uhrzeigersinn auf die Seite der Position A oder für Drehung entgegen dem Uhrzeigersinn auf die Seite der Position B.

► **Abb.3:** 1. Drehrichtungsumschalthebel



Auswechseln des Schnellwechselfutters für SDS-plus

Nur für HR3012FC

Das Schnellwechselfutter für SDS-plus kann leicht gegen das Schnellwechsel-Bohrfutter ausgewechselt werden.




Entfernen des Schnellwechselfutters für SDS-plus

⚠ VORSICHT: Nehmen Sie unbedingt den Einsatz heraus, bevor Sie das Schnellwechselfutter für SDS-plus entfernen.

Fassen Sie die Wechselhülse des Schnellwechselfutters für SDS-plus, und drehen Sie sie in Pfeilrichtung, um die Wechselhülse vom Symbol  zum Symbol  zu versetzen. Ziehen Sie kräftig in Pfeilrichtung.

- **Abb.4:** 1. Schnellwechselfutter für SDS-plus
2. Wechselhülse 3. Wechselhülselinie

Montieren des Schnellwechsel-Bohrfutters

Vergewissern Sie sich, dass die Linie des Schnellwechsel-Bohrfutters auf das Symbol  zeigt. Fassen Sie die Wechselhülse des Schnellwechsel-Bohrfutters, und richten Sie die Linie auf das Symbol  aus. Setzen Sie das Schnellwechsel-Bohrfutter auf die Spindel des Werkzeugs. Fassen Sie die Wechselhülse des Schnellwechsel-Bohrfutters, und drehen Sie die Wechselhülse zum Symbol , bis ein deutliches Klicken zu hören ist.


- **Abb.5:** 1. Schnellwechsel-Bohrfutter 2. Spindel
3. Wechselhülselinie 4. Wechselhülse

Wahl der Betriebsart

ANMERKUNG: Betätigen Sie den Betriebsart-Umschaltknopf nicht bei laufendem Werkzeug. Das Werkzeug kann sonst beschädigt werden.


ANMERKUNG: Um schnellen Verschleiß des Betriebsart-Umschaltmechanismus zu vermeiden, achten Sie stets darauf, dass der Betriebsart-Umschaltknopf einwandfrei in einer der drei Betriebsartpositionen eingerastet ist.

Schlagbohren

Für Bohren in Beton, Mauerwerk usw. drehen Sie den Betriebsart-Umschaltknopf auf das Symbol . Verwenden Sie einen Einsatz mit Hartmetallspitze (Sonderzubehör).


- **Abb.6:** 1. Schlagbohren 2. Betriebsart-Umschaltknopf

Bohren

Für Bohren in Holz-, Metall- oder Kunststoffmaterial drehen Sie den Betriebsart-Umschaltknopf auf das Symbol . Verwenden Sie einen Spiralbohrer oder Holzbohrer.

- **Abb.7:** 1. Bohren

Schlagen

Für Meißeln, Abklopfen oder Demolieren drehen Sie den Betriebsart-Umschaltknopf auf das Symbol . Verwenden Sie einen Spitzmeißel, Flachmeißel, Putzmeißel usw.

- **Abb.8:** 1. Schlagen

Drehmomentbegrenzer

ANMERKUNG: Schalten Sie das Werkzeug bei Aktivierung des Drehmomentbegrenzers sofort aus. Dies verhindert vorzeitigen Verschleiß des Werkzeugs.

ANMERKUNG: Bohrereinsätze, wie z. B. eine Lochsäge, die zum Klemmen oder Hängenbleiben in der Bohrung neigen, sind für dieses Werkzeug nicht geeignet. Dies liegt daran, dass sie eine zu häufige Aktivierung des Drehmomentbegrenzers verursachen.

Der Drehmomentbegrenzer wird bei Erreichen eines bestimmten Drehmoments ausgelöst. Der Motor wird von der Ausgangswelle abgekuppelt. Wenn dies eintritt, bleibt der Bohrereinsatz stehen.

Elektronikfunktionen

Das Werkzeug ist für komfortablen Betrieb mit Elektronikfunktionen ausgestattet.

- Konstantdrehzahlregelung
Die Drehzahlregelungsfunktion liefert eine konstante Drehzahl ungeachtet der Lastbedingungen.

Luftkanal

Nur für HR3011FC, HR3012FC

⚠ VORSICHT: Stecken Sie nicht Ihren Finger in den Luftkanal, und führen Sie auch keine anderen Gegenstände in den Luftkanal ein. Anderenfalls können Sie verletzt werden, oder das Werkzeug kann beschädigt werden.

Der Luftkanal dient zum Anschließen des Staubabsaugsystems. Wenn Sie das Staubabsaugsystem verwenden, lesen Sie den Abschnitt über das Staubabsaugsystem.

- **Abb.9:** 1. Luftkanal

MONTAGE

⚠ VORSICHT: Vergewissern Sie sich vor der Ausführung von Arbeiten am Werkzeug stets, dass es ausgeschaltet und vom Stromnetz getrennt ist.

Seitengriff (Zusatzgriff)

⚠ VORSICHT: Verwenden Sie stets den Seitengriff, um sicheren Betrieb zu gewährleisten.

⚠ VORSICHT: Vergewissern Sie sich nach dem Montieren oder Einstellen des Seitengriffs, dass er einwandfrei gesichert ist.

Befolgen Sie zum Montieren des Seitengriffs die nachstehenden Schritte.

1. Lösen Sie die Flügelschraube am Seitengriff.

- **Abb.10:** 1. Flügelschraube

2. Bringen Sie den Seitengriff an, während Sie auf die Flügelschraube drücken, so dass die Vorsprünge am Werkzeuggehäuse in die Nuten am Griff passen.

- **Abb.11:** 1. Flügelschraube

3. Ziehen Sie die Flügelschraube an, um den Griff zu sichern. Der Griff kann in jedem gewünschten Winkel fixiert werden.

Schmierfett

Tragen Sie vor der Arbeit eine kleine Menge Schmierfett (etwa 0,5 - 1 g) auf das Schaftende des Bohrereinsatzes auf.

Diese Futterschmierung gewährleistet reibungslosen Betrieb und längere Lebensdauer.

Montage und Demontage des Bohrereinsatzes

Reinigen Sie das Schaftende des Bohrereinsatzes, und tragen Sie Schmierfett auf, bevor Sie den Bohrereinsatz montieren.

► **Abb.12:** 1. Schaftende 2. Schmierfett

Führen Sie den Bohrereinsatz in das Werkzeug ein. Drehen Sie den Bohrereinsatz, und drücken Sie ihn hinein, bis er einrastet.

Vergewissern Sie sich nach dem Montieren des Bohrereinsatzes immer, dass der Bohrereinsatz sicher sitzt, indem Sie versuchen, ihn herauszuziehen.

► **Abb.13:** 1. Bohrereinsatz

Um den Bohrereinsatz zu entfernen, ziehen Sie die Futterabdeckung vollständig nach unten, und ziehen Sie den Bohrereinsatz heraus.

► **Abb.14:** 1. Bohrereinsatz 2. Futterabdeckung

Meißelwinkel (beim Meißeln, Abklopfen oder Demolieren)

Der Meißel kann im gewünschten Winkel eingespannt werden. Um den Meißelwinkel zu ändern, drehen Sie den Betriebsart-Umschaltknopf auf das Symbol O. Drehen Sie den Meißel auf den gewünschten Winkel.

► **Abb.15:** 1. Betriebsart-Umschaltknopf

Drehen Sie den Betriebsart-Umschaltknopf auf die Position des Symbols ∇ . Vergewissern Sie sich dann durch leichtes Drehen, dass der Meißel einwandfrei gesichert ist.

Tiefenanschlag

Der Tiefenanschlag ist praktisch, um Löcher von gleicher Tiefe zu bohren.

Halten Sie den Arretierknopf gedrückt, und führen Sie dann den Tiefenanschlag in das Sechskantloch ein. Vergewissern Sie sich, dass die gezahnte Seite des Tiefenanschlags auf die Markierung gerichtet ist.

► **Abb.16:** 1. Tiefenanschlag 2. Arretierknopf
3. Markierung 4. Gezahnte Seite

Stellen Sie den Tiefenanschlag ein, indem Sie ihn bei gedrücktem Sperrknopf vor und zurück schieben. Lassen Sie den Sperrknopf nach der Einstellung los, um den Tiefenanschlag zu verriegeln.

HINWEIS: Vergewissern Sie sich beim Anbringen, dass der Tiefenanschlag nicht den Hauptteil des Werkzeugs berührt.

Staubfangteller

Sonderzubehör

Verwenden Sie bei Überkopf-Bohrarbeiten den Staubfangteller, um zu verhüten, dass Staub auf Sie und das Werkzeug fällt. Bringen Sie den Staubfangteller so am Einsatz an, wie in der Abbildung gezeigt. Der Staubfangteller kann an Einsätzen der folgenden Größen angebracht werden.

| Modell | Einsatzdurchmesser |
|-------------------|--------------------|
| Staubfangteller 5 | 6 mm - 14,5 mm |
| Staubfangteller 9 | 12 mm - 16 mm |

► **Abb.17:** 1. Staubfangteller

Staubfangtellersatz

Sonderzubehör

Für Modelle HR3011FC, HR3001C

ANMERKUNG: Bei Verwendung des Staubfangtellersatzes in HR3011FC, HR3001C wird der Distanzring ebenfalls benötigt.

Bevor Sie den Staubfangtellersatz anbringen, entfernen Sie den Einsatz vom Werkzeug, falls einer montiert ist. Bringen Sie den Distanzring am Staubfangtellersatz an. Das Symbol \triangle am Staubfangteller ist auf die Nut im Distanzring ausgerichtet.

► **Abb.18:** 1. Distanzring 2. \triangle Symbol 3. Nut

Montieren Sie den Staubfangtellersatz mit dem Distanzring so am Werkzeug, dass das Symbol \triangle am Staubfangteller auf die Nut im Werkzeug ausgerichtet ist.

► **Abb.19:** 1. Symbol \triangle 2. Nut

Um den Staubfangtellersatz abzunehmen, entfernen Sie den Einsatz, während Sie die Futterabdeckung in Pfeilrichtung ziehen.

► **Abb.20:** 1. Einsatz 2. Futterabdeckung

Halten Sie den Staubfangteller am Ansatz, und ziehen Sie ihn heraus.

► **Abb.21**

Für Modell HR3012FC

Bevor Sie den Staubfangtellersatz anbringen, entfernen Sie den Einsatz vom Werkzeug, falls einer montiert ist. Bringen Sie den Staubfangtellersatz so am Werkzeug an, dass das Symbol \triangle am Staubfangteller auf die Nute im Werkzeug ausgerichtet ist.

► **Abb.22:** 1. \triangle Symbol 2. Nut

Um den Staubfangtellersatz abzunehmen, entfernen Sie den Einsatz, während Sie die Futterabdeckung in Pfeilrichtung ziehen.

► **Abb.23:** 1. Einsatz 2. Futterabdeckung

Halten Sie den Staubfangteller am Ansatz, und ziehen Sie ihn heraus.

► **Abb.24**

HINWEIS: Wenn Sie ein Sauggerät an den Staubfangtellersatz anschließen, entfernen Sie den Staubfangteller vor dem Anschließen.

► **Abb.25:** 1. Staubkappe

HINWEIS: Falls sich die Kappe vom Staubfangteller löst, bringen Sie sie mit der bedruckten Seite nach oben so an, dass die Nut der Kappe auf den Innenrand des Aufsatzes passt.

► **Abb.26**

Werkzeugaufhänger

Sonderzubehör

⚠️ WARNUNG: Wenn Werkzeugaufhänger und Schraube beschädigt sind, benutzen Sie sie nicht.

⚠️ WARNUNG: Verwenden Sie nur die mit dem Werkzeugaufhänger gelieferte Schraube.

⚠️ WARNUNG: Überprüfen Sie den Werkzeugaufhänger vor Gebrauch auf Beschädigungen, Risse oder Verformungen, und vergewissern Sie sich, dass die Schraube angezogen ist.

⚠️ VORSICHT: Montieren oder demontieren Sie den Werkzeugaufhänger auf einem stabilen Tisch oder einer stabilen Oberfläche.

Der Werkzeugaufhänger ist zum Anschließen der Schnur (Haltegurt) vorgesehen. Um den Werkzeugaufhänger am Werkzeug zu montieren, befolgen Sie die nachstehenden Schritte.

1. Trennen Sie den Stecker von der Stromquelle.
 2. Führen Sie die Vorsprünge des Werkzeugaufhängers in die Löcher am Werkzeug ein.
 3. Ziehen Sie die Schrauben fest an.
- **Abb.27:** 1. Werkzeugaufhänger 2. Loch
3. Vorsprung 4. Schraube

STAUBABSAUGSYSTEM

Nur für HR3011FC, HR3012FC

Sonderzubehör

Das Staubabsaugsystem ist dafür ausgelegt, Staub bei Bohrbetrieb in Beton effektiv abzusaugen.

- **Abb.28:** 1. Staubabsaugsystem

⚠️ VORSICHT: Vergewissern Sie sich vor der Ausführung von Arbeiten am Werkzeug, dass das Werkzeug ausgeschaltet und vom Stromnetz getrennt ist. Anderenfalls kann es zu Personenschäden durch versehentliches Anlaufen kommen.

⚠️ VORSICHT: Bringen Sie stets den Filter am Staubabsaugsystem an. Anderenfalls kommt es zu Einatmen von Staub.

⚠️ VORSICHT: Überprüfen Sie, dass der Filter nicht beschädigt ist. Anderenfalls kann es zu Einatmen von Staub kommen.

ANMERKUNG: Verwenden Sie das Staubabsaugsystem nicht für Kernbohr- oder Stemmarbeiten. Das Staubabsaugsystem ist nur für Bohren vorgesehen.

ANMERKUNG: Benutzen Sie das Staubabsaugsystem nicht für Metall oder Holz. Das Staubabsaugsystem ist nur für Beton vorgesehen.

ANMERKUNG: Verwenden Sie das Staubabsaugsystem nicht zum Bohren in nassem Beton, und benutzen Sie dieses System auch nicht in nasser Umgebung. Anderenfalls kann es zu einer Funktionsstörung kommen.

HINWEIS: Das Staubabsaugsystem sammelt einen Großteil des erzeugten Staubs auf, aber es kann nicht den ganzen Staub auf sammeln.

Anbringen und Abnehmen des Staubabsaugsystems

ANMERKUNG: Bevor Sie das Staubabsaugsystem installieren, reinigen Sie die Verbindungsteile des Werkzeugs und des Staubabsaugsystems.

Fremdkörper an den Verbindungsteilen können Schwierigkeiten beim Installieren des Staubabsaugsystems verursachen. Insbesondere Fremdkörper an der elektrischen Schnittstelle können eine Funktionsstörung verursachen.

Falls Staub am Luftkanal verbleibt, gelangt der Staub in das Werkzeug und verursacht Behinderung des Luftstroms oder Bruchschaden des Werkzeugs.

Haken Sie das Staubabsaugsystem in das Werkzeug ein, und führen Sie dann das Staubabsaugsystem bis zum Anschlag ein, bis es mit einem leisen Doppelklicken einrastet.

Vergewissern Sie sich danach, dass das Staubabsaugsystem sicher installiert ist.

- **Abb.29:** 1. Luftkanal

Drücken Sie den Verriegelungsknopf zum Abnehmen des Staubabsaugsystems.

- **Abb.30:** 1. Verriegelungsknopf

Einstellen der Düsenposition des Staubabsaugsystems

⚠️ VORSICHT: Richten Sie die Düse nicht auf sich selbst oder andere Personen, wenn Sie die Düse durch Drücken des Führungseinstellknopfes freigeben.

Schieben Sie die Führung hinein, während Sie den Führungseinstellknopf drücken, und lassen Sie dann den Führungseinstellknopf an der gewünschten Position los.

- **Abb.31:** 1. Führung 2. Führungseinstellknopf

Einstellen der Bohrtiefe des Staubabsaugsystems

Schieben Sie den Tiefeneinstellknopf auf die gewünschte Position, während Sie ihn drücken. Der Abstand (A) ist die Bohrtiefe.

- **Abb.32:** 1. Tiefeneinstellknopf

Ausklappen des Filters

⚠️ VORSICHT: Drehen Sie nicht das Einstellrad am Staubsammelbehälter, während der Staubsammelbehälter vom Staubabsaugsystem entfernt ist. Anderenfalls kann es zu Einatmen von Staub kommen.

⚠️ VORSICHT: Schalten Sie stets das Werkzeug aus, wenn Sie das Einstellrad am Staubsammelbehälter drehen. Drehen des Einstellrads bei laufendem Werkzeug kann zum Verlust der Kontrolle über das Werkzeug führen.

Durch Ausklopfen des Filters im Staubsammelbehälter können Sie die Saugeffizienz aufrechterhalten und auch die Anzahl der Staubentleerungen verringern. Drehen Sie das Einstellrad am Staubsammelbehälter dreimal, nachdem sich jeweils 50.000 mm³ Staub angesammelt haben, oder wenn Sie das Gefühl haben, dass die Saugleistung nachgelassen hat.

HINWEIS: 50.000 mm³ Staub entsprechen dem Bohren von 10 Löchern von ø10 mm und 14 mm Tiefe (2 Löcher von ø65" und 3/8" Tiefe).

► **Abb.33:** 1. Staubsammelbehälter 2. Einstellrad

Staubentsorgung

VORSICHT: Tragen Sie beim Entsorgen von Staub eine Staubmaske.

VORSICHT: Leeren Sie den Staubsammelbehälter regelmäßig, bevor er voll wird. Anderenfalls kann die Staubsammelleistung nachlassen, so dass es zu Einatmen von Staub kommt.

VORSICHT: Ersetzen Sie den Filter als Richtlinie nach etwa 200 Stauffüllungen durch einen neuen. Ein verstopfter Filter verringert die Staubabsaugleistung und kann Einatmen von Staub verursachen.

ANMERKUNG: Klopfen Sie zum Reinigen des Filters sachte mit der Hand auf das Filtergehäuse, um Staub zu entfernen. Klopfen Sie nicht direkt auf den Filter, berühren Sie den Filter nicht mit einer Bürste oder dergleichen, und blasen Sie auch keine Druckluft auf den Filter. Dadurch kann der Filter beschädigt werden.

1. Entfernen Sie den Staubsammelbehälter, während Sie den Hebel des Staubsammelbehälters nach unten drücken.

► **Abb.34:** 1. Hebel

2. Öffnen Sie die Abdeckung des Staubsammelbehälters.

► **Abb.35:** 1. Abdeckung

3. Entsorgen Sie den Staub, und reinigen Sie dann den Filter.

► **Abb.36**

Austauschen des Filters des Staubsammelbehälters

1. Entfernen Sie den Staubsammelbehälter, während Sie den Hebel des Staubsammelbehälters nach unten drücken. (Siehe den Abschnitt zum Entsorgen von Staub.)

2. Öffnen Sie die Filterabdeckung des Staubsammelbehälters.

► **Abb.37:** 1. Filterabdeckung

3. Entfernen Sie den Filter aus dem Filtergehäuse.

► **Abb.38:** 1. Filter 2. Filtergehäuse

4. Setzen Sie einen neuen Filter in das Filtergehäuse ein, und bringen Sie dann die Filterabdeckung an.

5. Schließen Sie die Abdeckung des Staubsammelbehälters, und bringen Sie ihn dann am Staubabsaugsystem an.

Austauschen der Dichtkappe

Falls die Dichtkappe abgenutzt ist, verschlechtert sich die Staubsammelleistung. Ersetzen Sie das Teil, falls es abgenutzt ist. Entfernen Sie die Dichtkappe, und bringen Sie dann eine neue an, so dass ihr Vorsprung nach oben gerichtet ist.

► **Abb.39:** 1. Vorsprung 2. Dichtkappe

BETRIEB

VORSICHT: Montieren Sie stets den Seitengriff (Zusatzgriff), und halten Sie das Werkzeug während der Arbeit mit beiden Händen am Seitengriff und Schaltergriff fest.

VORSICHT: Vergewissern Sie sich vor der Arbeit immer, dass das Werkstück gesichert ist.

VORSICHT: Ziehen Sie das Werkzeug selbst bei klemmendem Einsatz nicht gewaltsam heraus. Verlust der Kontrolle kann Verletzungen verursachen.

VORSICHT: Nur für HR3011FC, HR3012FC
Bevor Sie das Staubabsaugsystem mit dem Werkzeug verwenden, lesen Sie den Abschnitt über das Staubabsaugsystem.

► **Abb.40**

Hammerbohren

VORSICHT: Beim Durchbruch der Bohrung, bei Verstopfung der Bohrung mit Spänen und Partikeln, oder beim Auftreffen auf Betonstahl wirkt eine starke, plötzliche Drehkraft auf Werkzeug und Bohrereinsatz. Montieren Sie stets den Seitengriff (Zusatzgriff), und halten Sie das Werkzeug während der Arbeit mit beiden Händen am Seitengriff und Schaltergriff fest. Eine Missachtung dieser Vorsichtsmaßnahme kann den Verlust der Kontrolle über das Werkzeug und mögliche schwere Verletzungen zur Folge haben.

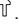
Stellen Sie den Betriebsart-Umschaltknopf auf die Position des Symbols .

Setzen Sie den Bohrereinsatz auf die gewünschte Bohrstelle, und drücken Sie dann den Auslöseschalter. Üben Sie keinen übermäßigen Druck auf das Werkzeug aus. Leichter Druck liefert die besten Ergebnisse. Halten Sie das Werkzeug in Position, und vermeiden Sie Abrutschen vom Loch.

Üben Sie keinen stärkeren Druck aus, wenn das Bohrloch mit Spänen oder Bohrmehl zugesetzt wird. Lassen Sie statt dessen das Werkzeug leer laufen, und ziehen Sie dann den Bohrereinsatz teilweise aus dem Bohrloch heraus. Durch mehrmaliges Wiederholen dieses Vorgangs wird das Bohrloch ausgeräumt, so dass der normale Bohrbetrieb fortgesetzt werden kann.

HINWEIS: Es kann zu einer Rundlaufabweichung in der Bohrereinsatzdrehung kommen, wenn das Werkzeug mit Nulllast betrieben wird. Während des Betriebs zentriert sich das Werkzeug automatisch. Dies hat keinen Einfluss auf die Bohrgenauigkeit.

Meißeln/Abklopfen/Demolieren

Stellen Sie den Betriebsart-Umschaltknopf auf die Position des Symbols .

Halten Sie das Werkzeug mit beiden Händen fest. Schalten Sie das Werkzeug ein, und führen Sie es mit leichtem Druck, damit es nicht unkontrolliert springt. Übermäßige Druckausübung auf das Werkzeug bewirkt keine Erhöhung der Arbeitsleistung.

► **Abb.41**

Bohren in Holz oder Metall

⚠ VORSICHT: Halten Sie daher das Werkzeug mit festem Griff und lassen Sie Vorsicht walten, wenn der Bohrereinsatz im Begriff ist, aus dem Werkstück auszutreten. Beim Bohrungsdurchbruch wirkt ein hohes Rückdrehmoment auf Werkzeug und Bohrereinsatz.

⚠ VORSICHT: Ein festsitzender Bohrereinsatz lässt sich durch einfaches Umschalten der Drehrichtung wieder herausdrehen. Dabei sollten Sie aber das Werkzeug gut festhalten, damit es nicht ruckartig herausgestoßen wird.

⚠ VORSICHT: Spannen Sie Werkstücke stets in einen Schraubstock oder eine ähnliche Aufspannvorrichtung ein.

ANMERKUNG: Verwenden Sie keinesfalls die Betriebsart „Schlagbohren“, wenn das Bohrfutter am Werkzeug angebracht ist. Das Bohrfutter kann sonst beschädigt werden. Außerdem löst sich das Bohrfutter beim Umschalten der Drehrichtung.

ANMERKUNG: Übermäßige Druckausübung auf das Werkzeug bewirkt keine Beschleunigung der Bohrleistung. Im Gegenteil; übermäßiger Druck führt zu einer Beschädigung der Spitze des Bohrereinsatzes und damit zu einer Verringerung der Leistungsfähigkeit sowie zu einer Verkürzung der Lebensdauer des Werkzeugs.

Stellen Sie den Betriebsart-Umschaltknopf auf die Position des Symbols .

Für Modelle HR3011FC, HR3001C

Sonderzubehör

Bringen Sie den Futteradapter an einem schlüssellosen Bohrfutter an, an dem eine Schraube der Größe 1/2"-20 montiert werden kann, und montieren Sie dann die Teile am Werkzeug. Nehmen Sie zur Montage auf den Abschnitt „Montage und Demontage des Bohrereinsatzes“ Bezug.

► **Abb.42:** 1. Schlüsselloses Bohrfutter 2. Futteradapter

Für Modell HR3012FC


Verwenden Sie das Schnellwechsel-Bohrfutter als Standardausstattung. Nehmen Sie zur Montage auf den Abschnitt „Auswechseln des Schnellwechselfutters für SDS-plus“ Bezug. Halten Sie den Klemmring fest, und drehen Sie die Werkzeugaufnahme entgegen dem Uhrzeigersinn, um die Futterbacken zu öffnen. Führen Sie den Einsatz bis zum Anschlag in das Spannfutter ein. Halten Sie den Klemmring fest, und drehen Sie die Werkzeugaufnahme im Uhrzeigersinn, um das Spannfutter festzuziehen.

► **Abb.43:** 1. Werkzeugaufnahme 2. Klemmring

Zum Entfernen des Einsatzes halten Sie den Klemmring, und drehen Sie die Werkzeugaufnahme entgegen dem Uhrzeigersinn.

Bohren mit Diamant-Bohrkrone

ANMERKUNG: Werden Bohrarbeiten mit Diamant-Bohrkrone in der Betriebsart „Schlagbohren“ durchgeführt, kann die Diamant-Bohrkrone beschädigt werden.

Stellen Sie den Betriebsart-Umschaltknopf zum Bohren mit Diamant-Bohrkrone immer auf die Position , um die Betriebsart „Bohren“ zu benutzen.

Ausblaspipette

Sonderzubehör

Blasen Sie den Staub nach dem Bohren des Lochs mit einer Ausblaspipette aus dem Loch.

► **Abb.44**

Verwendung des Staubfangtellersatzes

Sonderzubehör

Halten Sie den Staubfangtellersatz beim Betreiben des Werkzeugs gegen die Decke.

► **Abb.45**

ANMERKUNG: Benutzen Sie den Staubfangtellersatz nicht, wenn Sie in Metall oder ähnlichem Material bohren. Der Staubfangtellersatz kann sonst durch die von feinem Metallstaub o. Ä. erzeugten Wärme beschädigt werden.

ANMERKUNG: Unterlassen Sie das Montieren oder Demontieren des Staubfangtellersatzes, wenn der Bohrereinsatz im Werkzeug montiert ist. Sonst kann der Staubfangtellersatz beschädigt und ein Staubleck verursacht werden.

Anschließen einer Schnur (Haltegurt) am Werkzeugaufhänger

⚠ Spezielle Sicherheitswarnungen für Gebrauch an hohen Orten

Lesen Sie alle Sicherheitswarnungen und Anweisungen durch. Eine Missachtung der Warnungen und Anweisungen kann zu schweren Verletzungen führen.

1. Halten Sie das Werkzeug stets angebunden, wenn Sie „an hohen Orten“ arbeiten. Die maximale Schnurlänge beträgt 2 m. Die maximal zulässige Fallhöhe für die Schnur (Haltegurt) darf 2 m nicht überschreiten.
2. Verwenden Sie nur für diesen Werkzeugs typ geeignete Schnüre, die für eine Belastung von mindestens 7,5 kg bemessen sind.
3. Verankern Sie die Werkzeugschnur nicht an irgendeinem Körperteil oder an beweglichen Komponenten. Verankern Sie die Werkzeugschnur an einer starren Struktur, die den Kräften eines herunterfallenden Werkzeugs widerstehen kann.
4. Vergewissern Sie sich vor der Benutzung, dass die Schnur an beiden Enden einwandfrei gesichert ist.

5. Überprüfen Sie Werkzeug und Schnur vor jeder Benutzung auf Beschädigung und ordnungsgemäße Funktion (einschließlich Stoff und Nähte). Unterlassen Sie den Gebrauch bei Beschädigung oder nicht ordnungsgemäßer Funktion.
6. Wickeln Sie die Schnüre nicht um scharfe oder raue Kanten, und lassen Sie sie auch nicht mit diesen in Berührung kommen.
7. Befestigen Sie das andere Ende der Schnur außerhalb des Arbeitsbereichs, so dass ein herunterfallendes Werkzeug sicher gehalten wird.
8. Bringen Sie die Schnur so an, dass sich das Werkzeug vom Bediener weg bewegt, falls es herunterfällt. Heruntergefallene Werkzeuge schwingen an der Schnur, was Verletzungen oder Verlust des Gleichgewichts verursachen kann.
9. Unterlassen Sie die Benutzung in der Nähe von beweglichen Teilen oder laufenden Maschinen. Anderenfalls besteht Gefährdung durch Zerquetschen oder Erfassen.
10. Tragen Sie das Werkzeug nicht an der Aufsatzvorrichtung oder der Schnur.
11. Übertragen Sie das Werkzeug nur zwischen Ihren Händen, wenn Sie einwandfreies Gleichgewicht haben.
12. Befestigen Sie Schnüre nicht in einer Weise am Werkzeug, die ordnungsgemäßes Funktionieren von Schaltern oder der Auslösersperre (falls geliefert) verhindert.
13. Vermeiden Sie es, in der Schnur verwickelt zu werden.
14. Halten Sie die Schnur vom Bohrbereich des Werkzeugs fern.
15. Verwenden Sie Multi-Action-Karabiner und Karabiner mit Schraubverschluss. Verwenden Sie keine Single-Action-Karabiner mit Federschnapper.
16. Falls das Werkzeug herunterfällt, muss es markiert und außer Betrieb genommen werden und sollte von einem Makita-Werk oder einem autorisierten Service-Center überprüft werden.

► **Abb.46:** 1. Werkzeugaufhänger 2. Schnur (Haltegurt)

SONDERZUBEHÖR

⚠VORSICHT: Die folgenden Zubehörteile oder Vorrichtungen werden für den Einsatz mit dem in dieser Anleitung beschriebenen Makita-Werkzeug empfohlen. Die Verwendung anderer Zubehörteile oder Vorrichtungen kann eine Verletzungsgefahr darstellen. Verwenden Sie Zubehörteile oder Vorrichtungen nur für ihren vorgesehenen Zweck.

Wenn Sie weitere Einzelheiten bezüglich dieser Zubehörteile benötigen, wenden Sie sich bitte an Ihre Makita-Kundendienststelle.

- Bohrereinsätze mit Hartmetallschneide (SDS-plus-Einsätze mit Hartmetallschneide)
- Bohrkrone
- Spitzmeißel
- Diamant-Bohrkrone
- Flachmeißel
- Putzmeißel
- Nutenmeißel
- Futteradapter
- Schlüsselloses Bohrfutter
- Bohrerfett
- Tiefenanschlag
- Ausblaspipette
- Staubfangteller
- Staubfangtellersatz
- Distanzring (für HR3011FC, HR3001C)
- Staubabsaugsystem (für HR3011FC, HR3012FC)
- Schutzbrille
- Werkzeugaufhänger

HINWEIS: Manche Teile in der Liste können als Standardzubehör im Werkzeugsatz enthalten sein. Sie können von Land zu Land unterschiedlich sein.

WARTUNG

⚠VORSICHT: Vergewissern Sie sich vor der Durchführung von Überprüfungen oder Wartungsarbeiten stets, dass das Werkzeug ausgeschaltet und vom Stromnetz getrennt ist.

ANMERKUNG: Verwenden Sie auf keinen Fall Benzin, Waschbenzin, Verdüner, Alkohol oder dergleichen. Solche Mittel können Verfärbung, Verformung oder Rissbildung verursachen.

Um die SICHERHEIT und ZUVERLÄSSIGKEIT dieses Produkts zu gewährleisten, sollten Reparaturen und andere Wartungs- oder Einstellarbeiten nur von Makita-Vertragswerkstätten oder Makita-Kundendienstzentren unter ausschließlicher Verwendung von Makita-Originalersatzteilen ausgeführt werden.

Makita Europe N.V. Jan-Baptist Vinkstraat 2,
3070 Kortenberg, Belgium

Makita Corporation 3-11-8, Sumiyoshi-cho,
Anjo, Aichi 446-8502 Japan

www.makita.com

885772A979
EN, PL, HU, SK,
CS, UK, RO, DE
20200630