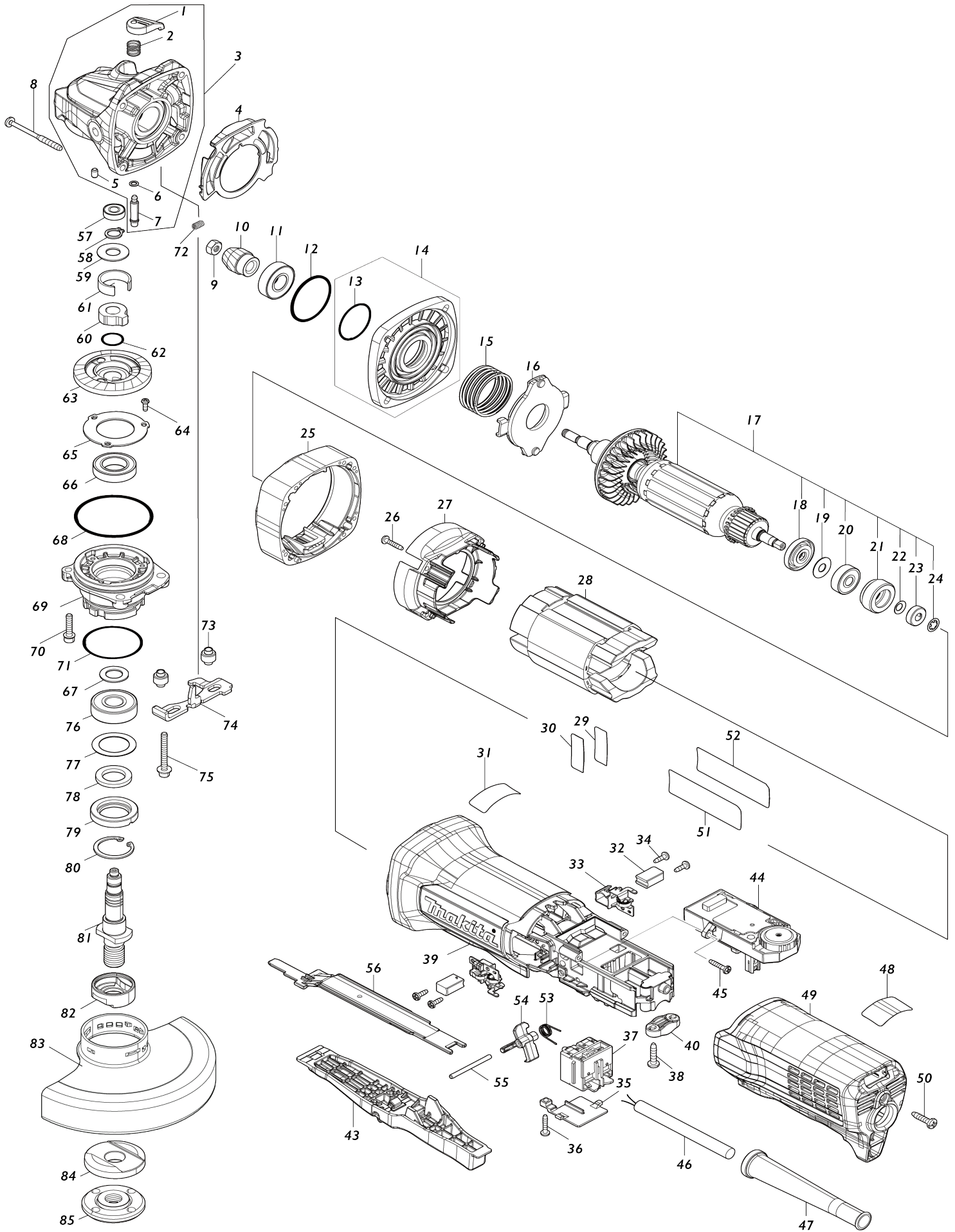


Model No.GA5093 125MM ANGLE GRINDER



Model No.GA5093 125MM ANGLE GRINDER

Item No.	Parts No.	Description	Interchangability	Q'ty	New/Old	Note1	Note2
001	453369-5	PIN CAP		1			
002	234057-1	COMPRESSION SPRING 8		1			
003	136770-6	GEAR HOUSING ASS'Y		1			
D10		INC. 1,2,5-7					
004	413C06-1	DIFFUSER		1			
005	263002-9	RUBBER PIN 4		1			
006	213032-0	O RING 4		1			
007	256535-1	SHOULDER PIN 6		1			
008	266467-4	TAPPING SCREW 4X50		4			
009	252186-8	HEX. NUT M6		1			
010	227916-6	SPIRAL BEVEL GEAR 11		1			
011	211131-2	BALL BEARING 6001DDW		1			
012	422812-5	RUBBER PLATE		1			
013	213693-6	O-RING 27.5		1			
014	136771-4	GEAR HOUSING COVER ASS'Y		1			
D10		INC. 13					
015	234230-3	COMPRESSION SPRING 33		1			
016	141515-9	BRAKE SHOE HOLDER COMPLETE		1			
017	511A44-6	ARMATURE ASS'Y 240V		1			
D10		INC. 18-24					
018	681656-4	INSULATION WASHER		1			
019	253823-7	FLAT WASHER 7		1			
020	210027-4	BALL BEARING 627DDW		1			
021	422811-7	LABYRINTH RUBBER RING 22		1			
022	267756-0	WAVE WASHER 6		1			
023	688117-5	MAGNET SLEEVE		1			
024	259039-2	SELF LOCK 6		1			
025	413C05-3	SPACER		1			
026	266429-2	TAPPING SCREW 3X16		4			
027	413C08-7	BAFFLE PLATE B		1			
028	621A18-0	FIELD 220-240V		1			
029	807G78-4	CLEAR LABEL		1			
030	858X97-5	GA5093 SERIAL NO. LABEL		1			
031	898443-6	SJS2 MARK LABEL		1			
032	1910M3-7	CARBON BRUSH 264 SET		1			
033	644011-1	BRUSH HOLDER		2			
034	266007-8	TAPPING SCREW BIND PT 3X10		4			
035	413H00-3	SWITCH COVER		1			
036	266429-2	TAPPING SCREW 3X16		1			
037	650028-4	SWITCH FPC-2115T-0-02		1			
038	266326-2	TAPPING SCREW 4X18		2			
039	413G97-6	MOTOR HOUSING B		1			
040	687124-5	STRAIN RELIEF		1			
043	162B63-7	SWITCH LEVER COMPLETE		1			
044	620H29-4	CONTROLLER		1			
045	266429-2	TAPPING SCREW 3X16		2			
046	665890-4	POWER SUPPLY CORD 1.0-2-4.0		1			

047	682117-7	CORD GUARD		1		
048	8055D1-9	INDICATION LABEL		1		
049	413G99-2	REAR COVER C		1		
050	266326-2	TAPPING SCREW 4X18		1		
051	858X94-1	GA5093 NAME PLATE		1		
052	8055D2-7	CLEAR LABEL		1	*	
053	232753-5	TORSION SPRING 8		1		
054	413G96-8	ROLL LINK		1		
055	256375-7	ROD 3		1		
056	413G87-9	BRAKE LEVER		1		
057	210026-6	BALL BEARING 696ZZ		1		
058	961006-2	RETAINING RING S-10		1		
059	253180-3	FLAT WASHER 10		1		
060	327918-3	JOINT SLEEVE		1		
061	347911-1	C TYPE PLATE		1		
062	213122-9	O RING 12		1		
063	227917-4	SPIRAL BEVEL GEAR 38		1		
064	265199-0	+ PAN HEAD SCREW M3X8		3		
065	285048-5	BEARING RETAINER 27-46		1		
066	210302-8	BALL BEARING 6903ZZ		1		
067	253744-3	FLAT WASHER 12		1		
068	213641-5	O RING 51		1		
069	312C11-4	BEARING BOX B		1		
070	266948-8	HEX S. H. BOLT M4X20 WITH WR		2		
071	213789-3	O-RING 38		1	*	
071-1	262211-7	RUBBER RING 37	<	1	*	
071-2	213789-3	O-RING 38	<	1		
072	232490-1	COMPRESSION SPRING 4		1		
073	327322-6	SLEEVE 4		2		
074	347910-3	LEVER B		1		
075	265C21-9	H.S.H.BOLT M4X35(WITH WG)		2		
076	211129-9	BALL BEARING 6201DDW		1		
077	267279-8	FLAT WASHER 21		1		
078	443124-3	FELT RING 17		1		
079	285854-8	BEARING RETAINER 20-33		1		
080	962105-3	RETAINING RING R-26		1		
081	327917-5	SPINDLE		1		
082	310514-4	LEAD FLANGE		1		
083	141L54-1	WHEEL COVER 125 COMPLETE		1	*	
C10	8050A1-8	CAUTION LABEL		1	*	
083-1	141P46-4	WHEEL COVER 125 COMPLETE	<	1		
C10	8050A1-8	CAUTION LABEL		1		
084	224447-6	INNER FLANGE 42B		1		
085	224485-8	LOCK NUT 14-45		1		
A01	A-80656	GRINDING WHEEL 125 WA36N		1		
A02	199710-5	CUTTING W.C.A. 125 SET		1		
A03	162258-0	VIBRATION PROOF GRIP		1		
A04	782034-2	LOCK NUT WRENCH 35		1		
F02	191W05-0	115/125MM DUST COVER SET		1		
C10	743129-6	BRUSH A		1		
C20	743130-1	BRUSH B		1		

F03	191Y29-8	DUST COVER ATTACHMENT SET		1			
F04	1910X5-0	GRIP 35 SET		1			
F05	1910X6-8	GRIP 35 SET		1			
F08	1910Y0-7	WHEEL COVER 125C SET		1			
F12	194514-0	VIBRATION PROOF GRIP SET		1			

Please state Parts No. when your order.

Print Date 19. 05. 2023