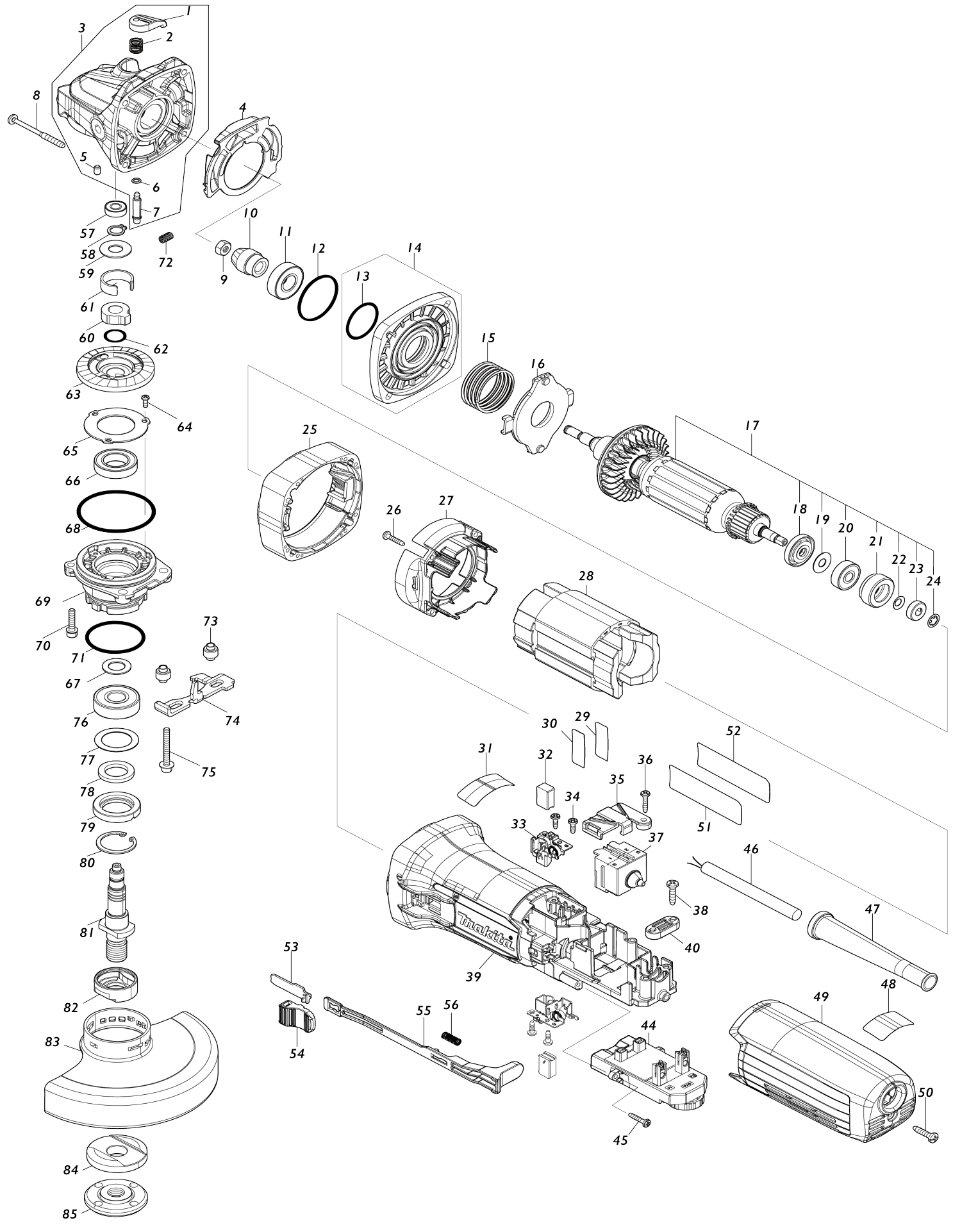


Model No.GA5091 125MM ANGLE GRINDER



Model No.GA5091 125MM ANGLE GRINDER

| Item No. | Parts No. | Description | Interchangeability | Q'ty | New/Old | Note1 | Note2 |
|----------|-----------|--|--------------------|------|---------|-------|-------|
| 001 | 453369-5 | Krytka čapu | | 1 | | | |
| 002 | 234057-1 | Prítlačná pružina 8 | | 1 | | | |
| 003 | 136770-6 | GEAR HOUSING ASS'Y | | 1 | | | |
| D10 | | INC. 1,2,5-7 | | | | | |
| 004 | 413C06-1 | DIFFUSER | | 1 | | | |
| 005 | 263002-9 | Gumený čap 4 | | 1 | | | |
| 006 | 213032-0 | O-krúžok 4 | | 1 | | | |
| 007 | 256535-1 | Čap odsadenej príruby 6 | | 1 | | | |
| 008 | 266467-4 | Samorezná skrutka s valcovou hlavou 4X50 | | 4 | | | |
| 009 | 252186-8 | Šesthranná matica M6 | | 1 | | | |
| 010 | 227916-6 | SPIRAL BEVEL GEAR 11 | | 1 | | | |
| 011 | 211131-2 | Guľôčkové ložisko 6001DDW | | 1 | | | |
| 012 | 422812-5 | RUBBER PLATE | | 1 | | | |
| 013 | 213693-6 | O-krúžok 27.5 | | 1 | | | |
| 014 | 136771-4 | GEAR HOUSING COVER ASS'Y | | 1 | | | |
| D10 | | INC. 13 | | | | | |
| 015 | 234230-3 | Prítlačná pružina 33 | | 1 | | | |
| 016 | 141515-9 | Držiak brzdovej čeluste kompletný | | 1 | | | |
| 017 | 511A44-6 | ARMATURE ASS'Y 240V | | 1 | | | |
| D10 | | INC. 18-24 | | | | | |
| 018 | 681656-4 | Izolačná podložka | | 1 | | | |
| 019 | 253823-7 | Plochá podložka 7 | | 1 | | | |
| 020 | 210027-4 | Guľôčkové ložisko 627DDW | | 1 | | | |
| 021 | 422811-7 | LABYRINTH RUBBER RING 22 | | 1 | | | |
| 022 | 267756-0 | Vlnitá podložka 6 | | 1 | | | |
| 023 | 688117-5 | Puzdro magnetu | | 1 | | | |
| 024 | 259039-2 | Samočinná poistka 6 | | 1 | | | |
| 025 | 413C05-3 | SPACER | | 1 | | | |
| 026 | 266429-2 | Samorezná skrutka s valcovou hlavou 3X16 | | 4 | | | |
| 027 | 413C08-7 | BAFFLE PLATE B | | 1 | | | |
| 028 | 621968-3 | FIELD 220-240V | | 1 | | | |
| 029 | 807G78-4 | Číry štítok | | 1 | | | |
| 030 | 858N22-6 | GA5091 SERIAL NO. LABEL | | 1 | | | |
| 031 | 898443-6 | Štítok (nálepka) so značkou SJS2 | | 1 | | | |
| 032 | 1910M3-7 | CARBON BRUSH 264 SET | | 1 | | | |
| 033 | 644011-1 | BRUSH HOLDER | | 2 | | | |
| 034 | 266007-8 | Samorezná skrutka s valcovou hlavou 3X10 | | 4 | | | |
| 035 | 413G29-3 | SWITCH COVER | | 1 | | | |
| 036 | 266429-2 | Samorezná skrutka s valcovou hlavou 3X16 | | 1 | | | |
| 037 | 650028-4 | SWITCH FPC-2115T-0-02 | | 1 | | | |
| 038 | 266326-2 | Samorezná skrutka s valcovou hlavou 4X18 | | 2 | | | |
| 039 | 413C01-1 | MOTOR HOUSING B | | 1 | | | |
| 040 | 687124-5 | Svorka kábla | | 1 | | | |

| | | | | | | |
|-------|----------|---|---|---|---|--|
| 044 | 620H27-8 | CONTROLLER | | 1 | | |
| 045 | 266429-2 | Samorezná skrutka s valcovou hlavou 3X16 | | 2 | | |
| 046 | 665890-4 | Napájacia šnúra 1.0-2-4.0 | | 1 | | |
| 047 | 682117-7 | CORD GUARD | | 1 | | |
| 048 | 8055D1-9 | INDICATION LABEL | | 1 | | |
| 049 | 413C02-9 | REAR COVER C | | 1 | | |
| 050 | 266326-2 | Samorezná skrutka s valcovou hlavou 4X18 | | 1 | | |
| 051 | 858N19-5 | GA5091 NAME PLATE | | 1 | | |
| 052 | 8055D2-7 | CLEAR LABEL | | 1 | | |
| 053 | 347908-0 | SWITCH PLATE | | 1 | | |
| 054 | 413C04-5 | SWITCH KNOB B | | 1 | | |
| 055 | 413C03-7 | SWITCH LEVER | | 1 | | |
| 056 | 233121-5 | Prítlačná pružina 4 | | 1 | | |
| 057 | 210026-6 | Guľôčkové ložisko 696ZZ | | 1 | | |
| 058 | 961006-2 | Vonkajší poistny krúžok (Seegerova podložka) S-10 | | 1 | | |
| 059 | 253180-3 | Plochá podložka 10 | | 1 | | |
| 060 | 327918-3 | JOINT SLEEVE | | 1 | | |
| 061 | 347911-1 | C TYPE PLATE | | 1 | | |
| 062 | 213122-9 | O-krúžok 12 | | 1 | | |
| 063 | 227917-4 | SPIRAL BEVEL GEAR 38 | | 1 | | |
| 064 | 265199-0 | Skrutka s polguľovou hlavou M3 X8 | | 3 | | |
| 065 | 285048-5 | BEARING RETAINER 27-46 | | 1 | | |
| 066 | 210302-8 | Guľôčkové ložisko 6903ZZ | | 1 | | |
| 067 | 253744-3 | Plochá podložka 12 | | 1 | | |
| 068 | 213641-5 | O-krúžok 51 | | 1 | | |
| 069 | 312C11-4 | BEARING BOX B | | 1 | | |
| 070 | 266948-8 | Skrutka s hlavou s vnútorným šesthranom M4X20 WR | | 2 | | |
| 071 | 213789-3 | O-krúžok 38 | | 1 | * | |
| 071-1 | 262211-7 | RUBBER RING 37 | < | 1 | * | |
| 071-2 | 213789-3 | O-krúžok 38 | < | 1 | | |
| 072 | 232490-1 | Prítlačná pružina 4 | | 1 | | |
| 073 | 327322-6 | Objímka 4 | | 2 | | |
| 074 | 347910-3 | LEVER B | | 1 | | |
| 075 | 265C21-9 | H.S.H.BOLT M4X35(WITH WG) | | 2 | | |
| 076 | 211129-9 | Guľôčkové ložisko 6201DDW | | 1 | | |
| 077 | 267279-8 | Plochá podložka 21 | | 1 | | |
| 078 | 443124-3 | Plsteny krúžok 17 | | 1 | | |
| 079 | 285854-8 | Pridržiavač ložiska 20-33 | | 1 | | |
| 080 | 962105-3 | Vnútorný poistny krúžok (Seegerova podložka) R-26 | | 1 | | |
| 081 | 327917-5 | SPINDLE | | 1 | | |
| 082 | 310514-4 | Vodiaca príruha | | 1 | | |
| 083 | 141L54-1 | WHEEL COVER 125 COMPLETE | | 1 | * | |
| C10 | 8050A1-8 | CAUTION LABEL | | 1 | * | |
| 083-1 | 141P46-4 | WHEEL COVER 125 COMPLETE | < | 1 | | |
| C10 | 8050A1-8 | CAUTION LABEL | | 1 | | |
| 084 | 224447-6 | Vnútorná príruha 42B | | 1 | | |
| 085 | 224485-8 | Poistná matica 14-45 | | 1 | | |
| | | | | | | |

| | | | | | | |
|-----|----------|---|--|---|--|--|
| A01 | A-80656 | GRINDING WHEEL 125 WA36N | | 1 | | |
| A02 | 199710-5 | Súprava nadstavca krytu brúsneho kotúča 125 | | 1 | | |
| A03 | 162258-0 | Antivibračná rukoväť | | 1 | | |
| A04 | 782034-2 | Kľúč na aretačnú maticu 35 | | 1 | | |
| F02 | 191V72-9 | DUST COVER ATTACHMENT SET | | 1 | | |
| F03 | 191W05-0 | 115/125MM DUST COVER SET | | 1 | | |
| C10 | 743129-6 | BRUSH A | | 1 | | |
| C20 | 743130-1 | BRUSH B | | 1 | | |
| F04 | 1910X5-0 | GRIP 35 SET | | 1 | | |
| F05 | 1910X6-8 | GRIP 35 SET | | 1 | | |
| F07 | 1910Y0-7 | WHEEL COVER 125C SET | | 1 | | |
| F11 | 194514-0 | Antivibračná rukoväť - sada | | 1 | | |

Please state Parts No. when your order.

Print Date 18. 05. 2023