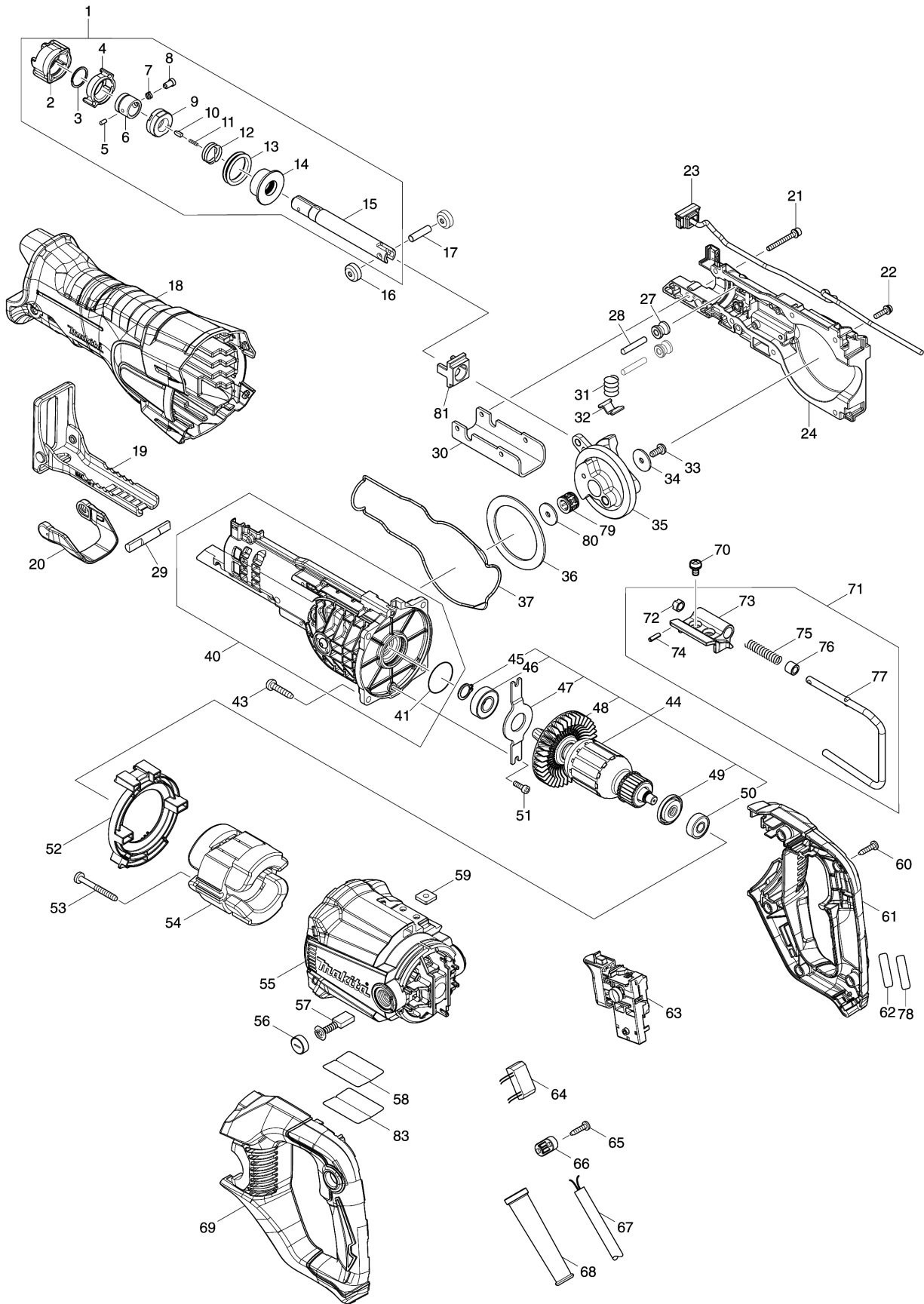


Model No. JR3061T RECIPRO SAW



Model No.JR3061T RECIPRO SAW

Položka	Objednávacie číslo	Popis	Zmena	ks	New/Old	Možnosť 1	Možnosť 2	Poznámka
001	127683-2	SLIDER ASSEMBLY		1				
D10		INC. 2-15						
002	422223-4	PROTECTOR		1				
003	257430-8	RETAINING RING(EXT)18		1				
004	310848-5	DRIVING SLEEVE		1				
005	268094-3	KOLÍK 3 JR3030T/3050T		1				
006	327650-9	GUIDE SLEEVE		1				
007	234381-2	COMPRESSION SPRING 6		1				
008	256569-4	SHOULDER PIN 5		1				
009	458968-8	CONNECTING SLEEVE		1				
010	310912-2	PUSH PIN		1				
011	232472-3	COMPRESSION SPRING 2		1				
012	233594-2	TORSION SPRING 17		1				
013	422309-4	RUBBER RING 25		1				
014	140C81-1	SEAL HOLDER COMPLETE		1				
015	327652-5	SLDIER		1				
016	310663-7	ROLLER		2				
017	268341-2	PIN 6		1				
018	422308-6	INSULATION COVER		1				
019	161811-9	SHOE		1				
020	458644-4	LOCK LEVER		1				
021	266979-7	HEX.SOCKET HEAD BOLT M4X35 WR		2				
022	911526-6	SKRUTKA M4x16 911526-6		5				
023	620965-6	LED CIRCUIT		1				
024	127139-5	GEAR HOUSING R ASSEMBLY		1				
C10	422630-1	RUBBER PLATE		1				
027	327153-3	ROLLER F		2				
028	256579-1	PIN 5		2				
029	326599-0	LOCK PIN		1				
030	346937-0	SHOE GUIDE PLATE		1				
031	231231-2	PRUŽINA 12		1				
032	347415-3	SHOE LOCK PLATE		1				
033	265374-8	H.S. BUTTON HEAD SCREW M5X12		1				
034	253462-3	FLAT WASHER 5		1				
035	140C77-2	GEAR COMPLETE		1				
036	267490-2	FLAT WASHER 54		1				
037	422307-8	SEAL RING		1				
040	127140-0	GEAR HOUSING L ASSEMBLY		1				
C10	422630-1	RUBBER PLATE		1				
D10		INC. 41						
041	213437-4	O RING 28		1				
043	266459-3	TAPPING SCREW 5X25		4				
044	517979-3	ARMATURE ASS'Y 240V		1				
D10		INC. 45-50						

Please order the parts with part number.

Print Date 16/11/2020

Model No.JR3061T RECIPRO SAW

Položka	Objednávacie číslo	Popis	Zmena	ks	New/Old	Možnosť 1	Možnosť 2	Poznámka
045	961052-5	POISTNÝ KRÚŽOK S-12		1				
046	211131-2	LOŽISKO GULIČKOVÉ 6001DDW		1				
047	285033-8	BEARING RETAINER 81		1				
048	241863-7	KOLESO VENTILÁTORA70 HR3000C		1				
049	681644-1	IZOLACNA PODLOZKA 681644-1		1				
050	210029-0	LOŽISKO GULIČKOVÉ 608ZZ		1				
051	265353-6	SKRUTKA IMBUSOVÁ M4x12 4340CT-41FCT		2				
052	458643-6	BAFFLE PLATE		1				
053	266466-6	TAPPING SCREW 5X45		2				
054	521879-1	FIELD ASS'Y 240V		1				
C10	654020-2	PRUZINA DRZIACA UHLIKOV		2				
C20	654501-6	KONEKTOR P-1,25		2				
055	140C78-0	MOTOR HOUSING COMPLETE		1				
056	643750-0	VIECKO DRZIACA UHLIKOV		2				
057	191963-2	UHLÍKY CB-303		1				
058	854V54-9	JR3061T NAME PLATE		1				
059	264002-2	SQUARE NUT M5		2				
060	266326-2	SKRUTKA SAMOREZNÁ		5				
061	183K39-5	HANDLE SET		1				
D10		INC. 69						
062	854V59-9	JR3061T SERIAL NO. LABEL		1				
063	651374-8	SWITCH C3VT-2L-C-H50		1				
064	620967-2	POWER SUPPLY CIRCUIT		1				
065	266326-2	SKRUTKA SAMOREZNÁ		2				
066	687124-5	DRŽIAK KÁBLA MT240/953T955		1				
067	665890-4	KÁBEL 1,0-5-4,0		1				
068	682574-9	CHRÁNIČ ŠNÚRY 10-90 PC5000C		1				
069	183K39-5	HANDLE SET		1				
D10		INC. 61						
070	911206-4	SKRUTKA M5x10		2				
071	126939-0	HOOK ASSEMBLY		1				
D10		INC. 72-77						
072	310661-1	LOCK SLEEVE		1				
073	319729-0	JOINT		1				
074	951057-3	KOLÍK PRUŽNÝ 3-12		1				
075	233455-6	COMPRESSION SPRING 7		1				
076	262561-0	SLEEVE 6		1				
077	281020-5	HOOK		1				
078	807G78-4	CLEAR LABEL		1				
079	212231-1	NEEDLE CAGE 1012		1				
080	253180-3	PODLOŽKA 10 6906/DP3003		1				
081	313316-7	SLIDER GUIDE		1				

Please order the parts with part number.

Print Date 16/11/2020

Model No.JR3061T RECIPRO SAW

Položka	Objednávacie číslo	Popis	Zmena	ks	New/Old	Možnosť 1	Možnosť 2	Poznámka
083	8011F2-5	CLEAR LABEL		1				
A01	821718-8	PLASTIC CASE		1				
C10	162315-4	LATCH		1				
A02	B-05038	LIST PILOVÝ 18X152MM		1				
A03	B-05044	LIST PILOVÝ 5KS 152mm		1				
A04	B-05153	LIST PILOVÝ 5KS 203mmx18x1		1				
E02	688165-4	LINE FILTER		1				

Please order the parts with part number.

Print Date 16/11/2020