



Makita Werkzeug Ges.m.b.H.

Airportstr. 4, 2401 Fischamend

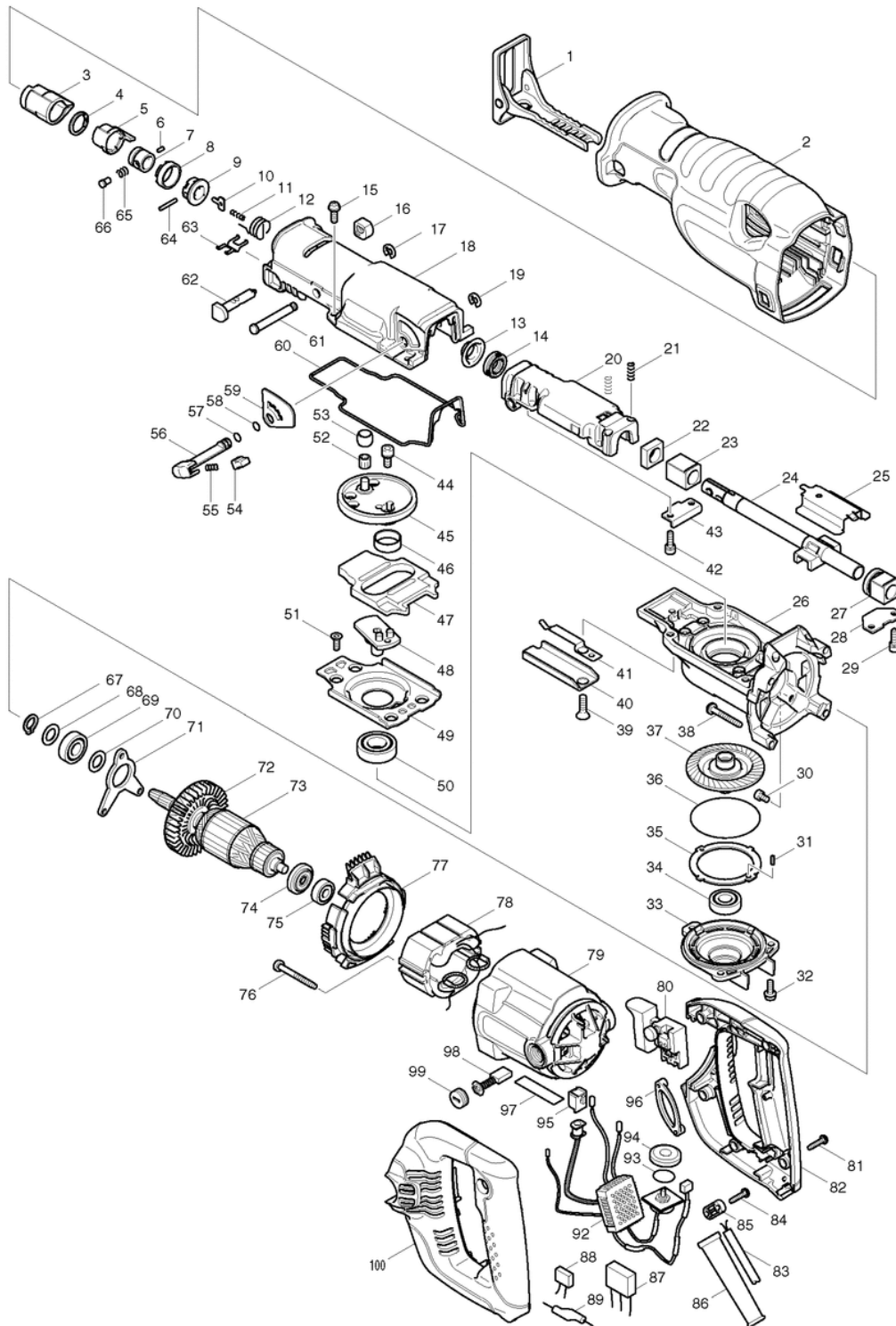
Tel: 02232 / 777 00

Fax: 02232 / 777 00 - 40

Mail: verkauf@makita.at

Web: www.makita.at

Makita Service Information / Model: JR3070CT





Makita Werkzeug Ges.m.b.H.

Airportstr. 4, 2401 Fischamend

Tel: 02232 / 777 00

Fax: 02232 / 777 00 - 40

Mail: verkauf@makita.at

Web: www.makita.at

Makita Service Information / Model: JR3070CT

POS	Bestell-Nr.	Artikelbeschreibung	Stk.	Stk.Preis
1	165406-0	PATKA OPORNÁ	1	N/A
2	421904-7	IZOLACNY KRYT JR3070CT	1	N/A
3	421894-4	KRYT UPÍNANIA NÁSTROJA JR3050T	1	N/A
3.2	424147-0	KRYTKA GUMENNÁ	1	N/A
4	961078-7	POISTNÝ KRÚŽOK S-18 BHR200S/JR3030T	1	N/A
4.2	257952-8	KRÚŽOK POISTNÝ 18	1	N/A
5	310160-3	PÚZDRO VODIACE JR3050T	1	N/A
5.2	310160-3	PÚZDRO VODIACE JR3050T	1	N/A
5.3	310285-3	PÚZDRO VODIACE JR3050T	1	N/A
6	268094-3	KOLÍK 3 JR3030T/3050T	1	N/A
7	331639-1	VYMEDZOVACIE PÚZDRO JR3030T	1	N/A
7.2	331720-8	PÚZDRO BJR181	1	N/A
8	417791-0	VODIACI KRÚŽOK JR3030T/3050T	1	N/A
9	418311-3	VYMEDZOVACÍ KRÚŽOK JR3030T/3000VT/180D	1	N/A
10	345214-7	ZAISTOVACIA PLATŇA JR3030T/3050T	1	N/A
11	233025-1	PRUŽINA PRÍTLAČNÁ 2	1	N/A
12	231687-9	PRUŽINA TORZNÁ 17 JR3070CT	1	N/A
13	257742-9	PODLOŽKA VYMEDZOVACIA JR3060T/70CT	1	N/A
14	213174-0	X-KRÚŽOK 14 JR3030T/3050T	1	N/A
15	911225-0	SKRUTKA M5x16	4	N/A
16	418806-6	KRYTKA JR3050T	1	N/A
17	961012-7	BLOKOVACI KRUZOK E-6	1	N/A
18	154551-6	KRYT PREVODOVKY JR3060T/70CT	1	N/A
19	961012-7	BLOKOVACI KRUZOK E-6	1	N/A
20	154502-9	KRYT DRŽIAKA NÁSTROJA JR3060T/70CT	1	N/A
21	233038-2	PRUŽINA JR3060T/70CT	2	N/A
22	423343-7	TESNIACA PLATNICKA 14 JR3060T	1	N/A
23	214170-1	LOŽISKO KLZNÉ JR3060T	1	N/A
24	168410-8	SLIDER COMPLETE	1	N/A
24.2	154804-3	DRŽIAK NÁSTROJA JR3060T/70CT	1	N/A
24.3	168410-8	SLIDER COMPLETE	1	N/A
25	345487-2	KLZNA DOSKA JR3060/70CT	1	N/A
26	317842-8	KRYT PREVODOVKY JR3060T	1	N/A
27	154547-7	LOŽISKO JR3060T/70CT	1	N/A
27.2	154547-7	LOŽISKO JR3060T/70CT	1	N/A
28	345486-4	PLATNICKA B JR3060T/70CT	1	N/A
29	266086-6	SKRUTKA IMBUSOVÁ M5x16	2	N/A
29.2	911225-0	SKRUTKA M5x16	2	N/A
30	265530-0	SKRUTKA IMBUSOVÁ M5x8 JR3050T/70CT	3	N/A
31	951051-5	KOLÍK PRUŽNÝ 3-8 951051-5	1	N/A



Makita Werkzeug Ges.m.b.H.

Airportstr. 4, 2401 Fischamend

Tel: 02232 / 777 00

Fax: 02232 / 777 00 - 40

Mail: verkauf@makita.at

Web: www.makita.at

Makita Service Information / Model: JR3070CT

POS	Bestell-Nr.	Artikelbeschreibung	Stk.	Stk.Preis
32	911225-0	SKRUTKA M5x16	3	N/A
33	317844-4	BEARING BOX	1	N/A
34	211101-1	LOŽISKO GULIČKOVÉ 6001LLB	1	N/A
35	345488-0	PODLOZKA OZUBENEHO KOLESA	1	N/A
36	213726-7	O-KRÚŽOK	1	N/A
37	154549-3	OZUBENÉ SPOJKOVÉ KOLESO JR3060T	1	N/A
38	266012-5	SKRUTKA SAMOREZNÁ 5x35 9069	4	N/A
38.2	266373-3	SKRUTKA 5x35	4	N/A
39	265149-5	+ COUNTERSUNK HEAD SCREW M6x16	1	N/A
39.2	265165-7	SKRUTKA M6x16	1	N/A
40	345479-1	KLZNA PODLOZKA JR3050T	1	N/A
41	232222-6	PERO LISTOVÉ B JR3050T	1	N/A
42	266086-6	SKRUTKA IMBUSOVÁ M5x16	2	N/A
42.2	911225-0	SKRUTKA M5x16	2	N/A
43	345485-6	PLATNICKA A JR3060T/70CT	1	N/A
44	265531-8	SKRUTKA IMBUSOVÁ M6x14	1	N/A
45	154545-1	KLUKOVKA JR3060T/70CT	1	N/A
45.2	154545-1	KLUKOVKA JR3060T/70CT	1	N/A
46	257265-7	KRÚŽOK JR3070CT	1	N/A
47	313121-2	EXCENTER JR 3070CT	1	N/A
48	154546-9	PLATŇA PREVODOVKY JR3060/70CT	1	N/A
49	345489-8	PLATNIČKA JR3070CT	1	N/A
50	211251-2	LOŽISKO GULIČKOVÉ 6003LLB	1	N/A
51	265148-7	SKRUTKA TORX M5x14 JR3050T	4	N/A
52	212957-5	LOŽISKO IHLIČKOVÉ JR3060T/70CT	1	N/A
54	418991-5	PREPÍNAČ	1	N/A
55	231309-1	PRUŽINA PRÍTLAČNÁ 5	1	N/A
56	272247-8	PÁČKA VYPÍNAČA	1	N/A
57	213021-5	O-KRÚŽOK 5	1	N/A
58	213021-5	O-KRÚŽOK 5	1	N/A
59	413095-8	PLATNIČKA C	1	N/A
60	421899-4	TESNIACI KRUZOK JR3060T/70CT	1	N/A
61	268012-1	KOLÍK 7 JR3020	1	N/A
62	162236-0	ZAISTOVACÍ KOLÍK JR3050T	1	N/A
63	232221-8	PERO LISTOVÉ A JR3050T	1	N/A
64	256158-5	KOLÍK 3 256158-5	1	N/A
65	233345-3	PRUŽINA PRÍTLAČNÁ 6 JR3030T/3050T	1	N/A
66	256492-3	KOLÍK JR3060T	1	N/A
67	961052-5	POISTNÝ KRÚŽOK S-12	1	N/A
68	253744-3	PODLOŽKA 12	1	N/A



Makita Werkzeug Ges.m.b.H.

Airportstr. 4, 2401 Fischamend

Tel: 02232 / 777 00

Fax: 02232 / 777 00 - 40

Mail: verkauf@makita.at

Web: www.makita.at

Makita Service Information / Model: JR3070CT

POS	Bestell-Nr.	Artikelbeschreibung	Stk.	Stk.Preis
69	211131-2	LOŽISKO GULIČKOVÉ 6001DDW	1	N/A
70	253744-3	PODLOŽKA 12	1	N/A
71	285719-4	DRŽIAK LOŽISKA JR3060/70CT	1	N/A
72	241863-7	KOLESO VENTILÁTORA70 HR3000C	1	N/A
73	513603-6	KOTVA UPLNA 220 V JR3070CT	1	N/A
73		*** INC. 72,74,75		N/A
74	681650-6	IZOLACNA PODLOZKA novA	1	N/A
75	210029-0	LOŽISKO GULIČKOVÉ 608ZZ	1	N/A
76	266056-5	TAPPING SCREW 5x45	2	N/A
76.2	266466-6	TAPPING SCREW 5x45	2	N/A
76.3	266056-5	TAPPING SCREW 5x45	2	N/A
77	418817-1	DOSKA ODKLONU VZDUCHU JR3060/70CT	1	N/A
78	525718-7	STATOR JR3070CT	1	N/A
79	154498-4	KRYT MOTORA JR3050T	1	N/A
80	650219-7	VYPINAC TG71ARS-1 JR3070CT	1	N/A
80.2	650222-8	VYPÍNAČ TG71ARS-1 JR 3060T	1	N/A
81	265995-6	SKRUTKA SAMOREZNÁ 4x18	5	N/A
82	183933-5	RUKOVÄŤ KPL.JR3070CT R+L	1	N/A
82		*** INC. 100		N/A
83	665890-4	KÁBEL 1,0-5-4,0	1	N/A
84	265995-6	SKRUTKA SAMOREZNÁ 4x18	2	N/A
85	687052-4	DRŽIAK KÁBLA	1	N/A
86	682573-1	CHRÁNIČ ŠNÚRY10 GA7010C/9010C	1	N/A
87	645253-0	ODRUSOVACI KONDENZATOR	1	N/A
88	645006-7	ODRUSOVACI KONDENZATOR	1	N/A
89	646049-2	TEPELNÁ OCHRANA JR3000VT	1	N/A
92	631651-4	REG. ELEKTRONIKA JR3070CT	1	N/A
93	213261-5	O-KRÚŽOK 17	1	N/A
94	418905-4	REGULAČNÝ VYPINÁČ	1	N/A
95	418518-1	PŮZDRO UMELÉ GA7010C/9010C/SA	1	N/A
96	421448-7	RUBBER BAND	1	N/A
97	861231-4	NAME PLATE JR3070CT	1	N/A
98	191963-2	UHLÍKY CB-303	1	N/A
99	643750-0	VIECKO DRZIAKA UHLIKOV	2	N/A
100	183933-5	RUKOVÄŤ KPL.JR3070CT R+L	1	N/A
100		*** INC. 82		N/A
101	125524-6	GEAR HOUSING COVER ASS. new	1	N/A
101		*** INC. 3-14,16-20,22-25,27-29,		N/A
101		*** INC. 42,43,54-59,61-66		N/A
1001	824734-9	PLASTIC CARRYING CASE	1	N/A



Makita Werkzeug Ges.m.b.H.

Airportstr. 4, 2401 Fischamend

Tel: 02232 / 777 00

Fax: 02232 / 777 00 - 40

Mail: verkauf@makita.at

Web: www.makita.at

Makita Service Information / Model: JR3070CT

POS	Bestell-Nr.	Artikelbeschreibung	Stk.	Stk.Preis
1001.2	824734-9	PLASTIC CARRYING CASE	1	N/A
1001.3	821621-3	TRANSPORTKOFFER JR3050T/60T/70	1	N/A
1002	792003-5	RECIPRO SAW BLADE SET	1	N/A
1002.2	B-05038	RECIPRO SAW BLADE FOR METAL	1	N/A
1003	B-05044	RECIPRO SAW BLADE FOR PLYWOOD	1	N/A
1004	B-05153	RECIPRO SAW BLADE FOR WOOD	1	N/A