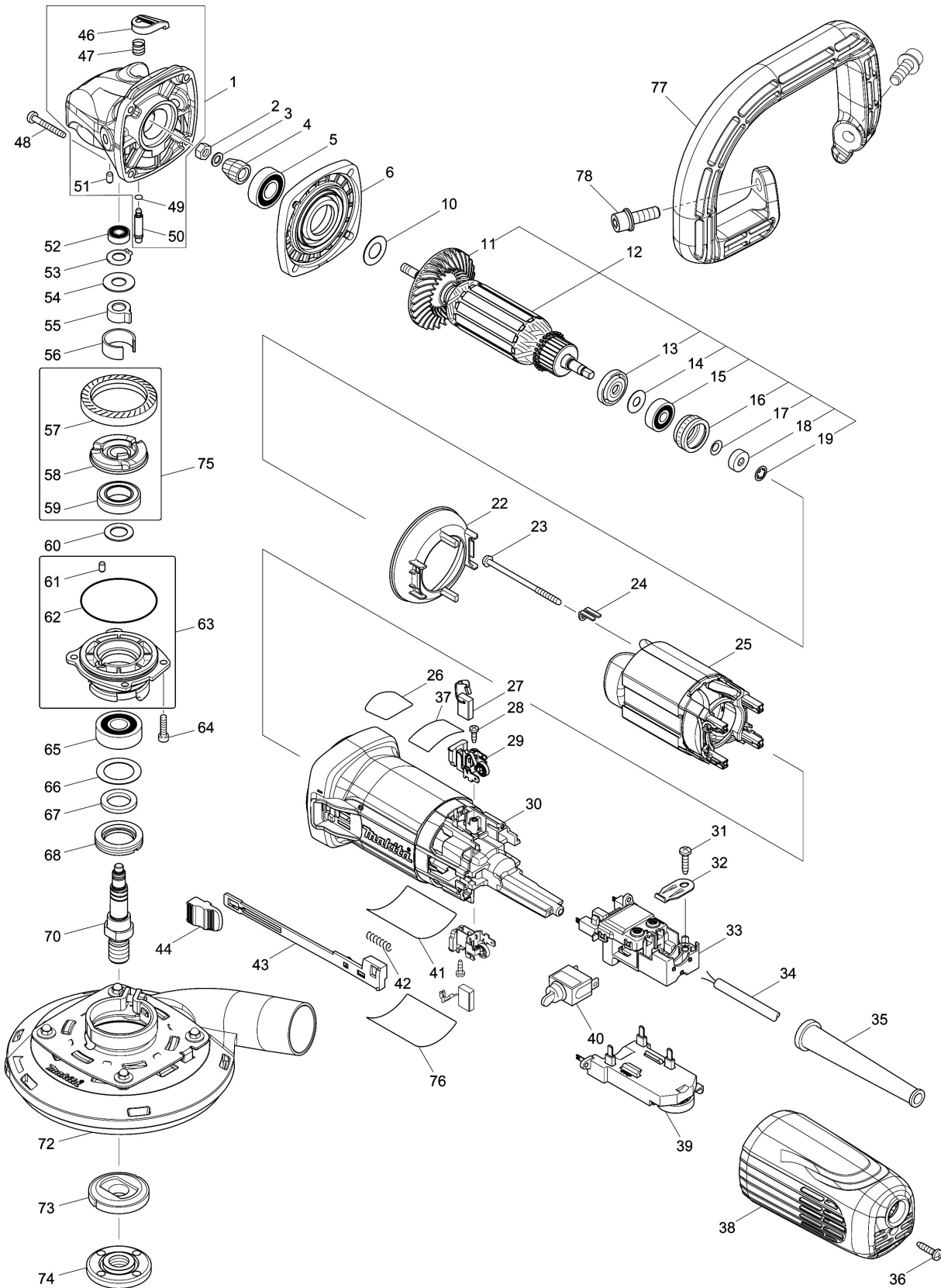


Model No.PC5010C 125MM CONCRETE PLANER



Model No.PC5010C 125MM CONCRETE PLANER

| Položka | Objednávacie číslo | Popis | Zmena | ks | New/Old | Možnosť 1 | Možnosť 2 | Poznámka |
|---------|--------------------|---|-------|----|---------|-----------|-----------|----------|
| 001 | 136013-6 | GEAR HOUSING ASS'Y | | 1 | | | | |
| D10 | | INC. 46,47,49-51 | | | | | | |
| 002 | 252186-8 | MATICA M6 9554NB-9558NB | | 1 | | | | |
| 003 | 253077-6 | PODLOŽKA 6 | | 1 | | | | |
| 004 | 227593-4 | SPIRAL BEVEL GEAR 9 | | 1 | | | | |
| 005 | 211142-7 | LOŽISKO GULIČKOVÉ 6001LLB | | 1 | | | | |
| 006 | 141981-0 | GEAR HOUSING COVER COMPLETE | | 1 | | | | |
| 010 | 253084-9 | PODLOŽKA 12 | | 1 | | | | |
| 011 | 240134-9 | FAN 60 | | 1 | | | | |
| 012 | 510377-0 | ARMATURE ASS'Y 220-240V | | 1 | | | | |
| D10 | | INC. 11,13-19 | | | | | | |
| 013 | 681656-4 | IZOLACNA PODLOZKA | | 1 | | | | |
| 014 | 253823-7 | PODLOŽKA 7 | | 1 | | | | |
| 015 | 210027-4 | LOŽISKO GULIČKOVÉ 627DDW | | 1 | | | | |
| 016 | 421738-8 | Gumený krúžok 22 9562-9566, BO6040 | | 1 | | | | |
| 017 | 267756-0 | PODLOŽKA PRUŽNA BO6040/4340-41F | | 1 | | | | |
| 018 | 688117-5 | MAGNETICKA OBJIMKA | | 1 | | | | |
| 019 | 259039-2 | SAMOARETÁCIA 6 4340CT-41FCT | | 1 | | | | |
| 022 | 453367-9 | BUFFLE PLATE | | 1 | | | | |
| 023 | 266258-3 | SKRUDKA SAMOREZNÁ 4x70 9565 | | 2 | | | | |
| 024 | 344871-8 | DRŽIAK GD/9562-Serie/BO6040 9562-9566 | | 2 | | | | |
| 025 | 626653-3 | FIELD 220-240V | | 1 | | | | |
| 026 | 898443-6 | SJS2 MARK LABEL | | 1 | | | | |
| 027 | 191978-9 | UHLÍKY CB-318 (CB-310) | | 1 | | | | |
| 028 | 266007-8 | SKRUTKA SAMOREZNÁ PT3X10 9527NB | | 2 | | | | |
| 029 | 643770-4 | BRUSH HOLDER | | 2 | | | | |
| 030 | 453366-1 | MOTOR HOUSING | | 1 | | | | |
| 031 | 266326-2 | SKRUTKA SAMOREZNÁ | | 1 | | | | |
| 032 | 687169-3 | DRŽIAK KÁBLA HP1620/1621 | | 1 | | | | |
| 033 | 632K98-1 | SWITCH BLOCK | | 1 | | | | |
| 034 | 665890-4 | KÁBEL 1,0-5-4,0 | | 1 | | | | |
| 035 | 682566-8 | CHRÁNIČ ŠNÚRY 10 HR2450/F/2440F | | 1 | | | | |
| 036 | 266326-2 | SKRUTKA SAMOREZNÁ | | 1 | | | | |
| 037 | 817M63-5 | INDICATION LABEL | | 1 | | | | |
| 038 | 453365-3 | REAR COVER C | | 1 | | | | |
| 039 | 620736-1 | CONTROLLER | | 1 | | | | |
| 040 | 651418-4 | VYPINAC ST115A-40, 430S-4341T,9541-9565 | | 1 | | | | |
| 041 | 854S18-5 | PC5010C NAME PLATE | | 1 | | | | |
| 042 | 233071-4 | PRUŽINA PRÍTLAČNÁ 4 | | 1 | | | | |
| 043 | 453847-5 | SWITCH LEVER | | 1 | | | | |
| 044 | 453368-7 | SWITCH KNOB | | 1 | | | | |
| 046 | 453369-5 | PIN CAP | | 1 | | | | |

Model No.PC5010C 125MM CONCRETE PLANER

| Položka | Objednávacie číslo | Popis | Zmena | ks | New/Old | Možnosť 1 | Možnosť 2 | Poznámka |
|---------|--------------------|------------------------------------|-------|----|---------|-----------|-----------|----------|
| 047 | 234057-1 | PRUŽINA PRÍTLAČNÁ 8 NA GA5020/6020 | | 1 | | | | |
| 048 | 266361-0 | SKRUTKA SAMOREZNÁ 4x30 | | 4 | | | | |
| 049 | 213032-0 | O-KRÚŽOK 4 | | 1 | | | | |
| 050 | 256535-1 | SHOULDER PIN 6 | | 1 | | | | |
| 051 | 263002-9 | KOLÍK GUMA 4 | | 1 | | | | |
| 052 | 210006-2 | LOŽISKO GULIČKOVÉ 696ZZ 2106 | | 1 | | | | |
| 053 | 961005-4 | POISTNY KRUZOK S-9 | | 1 | | | | |
| 054 | 253180-3 | PODLOŽKA 10 6906/DP3003 | | 1 | | | | |
| 055 | 310683-1 | JOINT SLEEVE | | 1 | | | | |
| 056 | 346556-2 | C TYPE PLATE | | 1 | | | | |
| 057 | 227594-2 | SPIRAL BEVEL GEAR 41 | | 1 | | | | |
| 058 | 313228-4 | COUPLING | | 1 | | | | |
| 059 | 210302-8 | BALL BEARING 6903ZZ | | 1 | | | | |
| 060 | 253744-3 | PODLOŽKA 12 | | 1 | | | | |
| 061 | 263002-9 | KOLÍK GUMA 4 | | 1 | | | | |
| 062 | 213641-5 | O RING 51 | | 1 | | | | |
| 063 | 136012-8 | BEARING BOX ASSEMBLY | | 1 | | | | |
| D10 | | INC. 61,62 | | | | | | |
| 064 | 265490-6 | SKRUTKA IMBUSOVÁ M4x16 3276 | | 4 | | | | |
| 065 | 211129-9 | LOŽISKO GULIČKOVÉ 6201DDW | | 1 | | | | |
| 066 | 267279-8 | PODLOŽKA 21 | | 1 | | | | |
| 067 | 443124-3 | KRÚŽOK FILCOVÝ 17 | | 1 | | | | |
| 068 | 285854-8 | BEARING RETAINER 20-33 | | 1 | | | | |
| 070 | 326130-2 | SPINDLE | | 1 | | | | |
| 072 | 195239-9 | ODSÁVANIE NA BRÚSKY 115-125MM | | 1 | | | | |
| C10 | 265180-1 | SKRUTKA M5x16 GA6021/GA4530 | | 1 | | | | |
| 073 | 224415-9 | PRÍRUBA UPÍNACIA 42 | | 1 | | | | |
| 074 | 224554-5 | PRÍRUBOVÁ MATICA 45 mm novA | | 1 | | | | |
| 075 | 135556-5 | COUPLING ASS'Y | | 1 | | | | |
| D10 | | INC. 57-59 | | | | | | |
| 076 | 892272-9 | CLEAR LABEL | | 1 | | | | |
| 077 | 458690-7 | LOOP HANDLE | | 1 | | | | |
| 078 | 922443-5 | SKRUTKA M8x25 LS1216L | | 2 | | | | |
| A01 | 140B63-7 | STEEL CASE COMPLETE | | 1 | | | | |
| A02 | 782426-5 | LOCK NUT WRENCH 35 | | 1 | | | | |

Please order the parts with part number.

Print Date 27/2/2019