



# Makita Werkzeug Ges.m.b.H.

Airportstr. 4, 2401 Fischamend

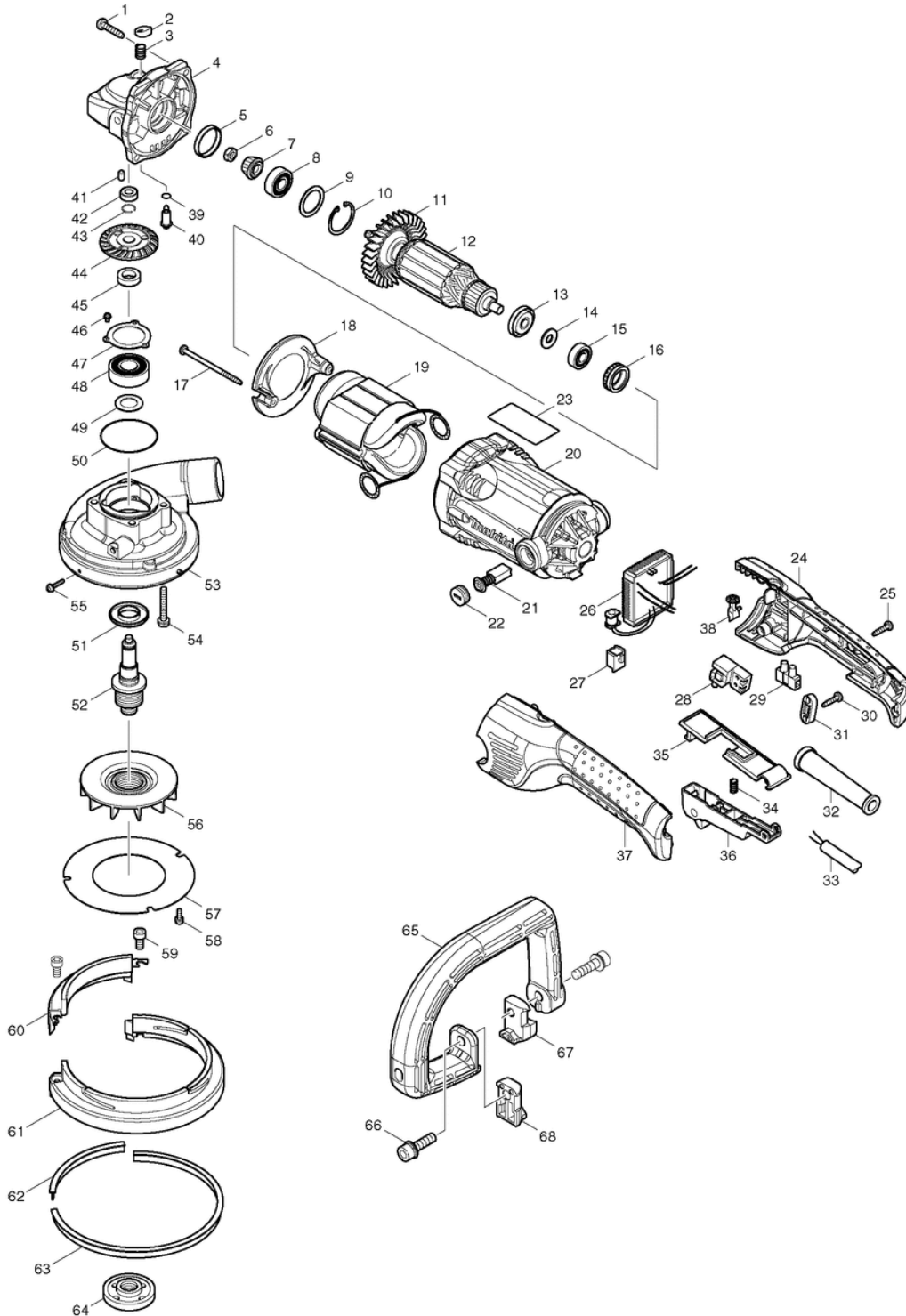
Tel: 02232 / 777 00

Fax: 02232 / 777 00 - 40

Mail: verkauf@makita.at

Web: www.makita.at

## Makita Service Information / Model: PC5000C





## Makita Werkzeug Ges.m.b.H.

Airportstr. 4, 2401 Fischamend

Tel: 02232 / 777 00

Fax: 02232 / 777 00 - 40

Mail: verkauf@makita.at

Web: www.makita.at

### Makita Service Information / Model: PC5000C

POS	Bestell-Nr.	Artikelbeschreibung	Stk.	Stk.Preis
1	266459-3	TAPPING SCREW 5x25	4	N/A
2	417771-6	VIEČKO 9554-9558	1	N/A
3	234057-1	PRUŽINA PRÍTLAČNÁ 8 NA GA5020/6020	1	N/A
4	318158-4	KRYT MOTORA NA GA5020/6020	1	N/A
5	424051-3	KRÚŽOK GUMENNÝ 26	1	N/A
6	264010-3	MATICA M7 NA GA5020/6020	1	N/A
7	227520-1	KOLESO OZUBENÉ 11 NA GA6020	1	N/A
8	211088-7	LOŽISKO GULIČKOVÉ 6000DDW	1	N/A
8.2	210059-1	LOŽISKO GULIČKOVÉ 6000DDW	1	N/A
9	267352-4	PODLOŽKA 22	1	N/A
10	962107-9	POISTNÝ KRÚŽOK R-30	1	N/A
11	240094-5	KOLESO VENTILÁTORA 70 GA5020/6020	1	N/A
12	510094-2	ANKER PC5000C	1	N/A
12		*** INC. 11,13-15		N/A
12.2	513799-3	KOTVA ÚPLNÁ 220-240V GA5021C NEW	1	N/A
12.2		*** INC. 11,13-15		N/A
12.3	518685-3	Armature ass'y 240V new	1	N/A
12.3		*** INC. 11,13-15		N/A
13	681660-3	PODLOŽKA IZOLAČNÁ PV7000C/GA7010C	1	N/A
14	267281-1	PODLOŽKA 8 GA7010C/9010C/SA70	1	N/A
15	210044-4	BALL BEARING 608DDW	1	N/A
15.2	210005-4	LOŽISKO GULIČKOVÉ 608DDW	1	N/A
16	421720-7	Gumený krúžok 22 5604R/5704R/GA7	1	N/A
17	266325-4	SKRUTKA SAMOREZNÁ 4X70	2	N/A
18	419961-7	DOSKA ODKLONU VZDUCHU GA5020/6020	1	N/A
19	525784-4	STATOR 220V NA GA5021C	1	N/A
19.2	528819-0	Field Ass'y 240V	1	N/A
20	140019-8	KRYT MOTORA PC 5000	1	N/A
21	194547-5	UHLÍKY CB-253,251	1	N/A
22	643750-0	VIEČKO DRZIAKA UHLIKOV	2	N/A
23	866345-4	TYPENSCHILD PC5000C	1	N/A
24	188630-8	HANDLE SET	1	N/A
24		*** INC. 37		N/A
25	266326-2	SKRUTKA SAMOREZNÁ	4	N/A
26	631799-2	ELEKTRONIKA NA GA5021C	1	N/A
27	418518-1	PÚZDRO UMELE GA7010C/9010C/SA	1	N/A
28	651922-3	VYPINAC TG71B	1	N/A
28.2	650677-7	SWITCH TG71B	1	N/A
28.3	651922-3	VYPINAC TG71B	1	N/A
29	654575-7	TERMINAL BLOCK	1	N/A



## Makita Werkzeug Ges.m.b.H.

Airportstr. 4, 2401 Fischamend

Tel: 02232 / 777 00

Fax: 02232 / 777 00 - 40

Mail: verkauf@makita.at

Web: www.makita.at

### Makita Service Information / Model: PC5000C

POS	Bestell-Nr.	Artikelbeschreibung	Stk.	Stk.Preis
30	266326-2	SKRUTKA SAMOREZNÁ	2	N/A
31	687124-5	DRŽIAK KÁBLA MT240/953T955	1	N/A
32	682574-9	CHRÁNIČ ŠNÚRY 10-90 PC5000C	1	N/A
33	665883-1	POWER SUPPLY CORD 1.0-2-5.0	1	N/A
34	233117-6	PRUŽINA PRITLAČNÁ 6 GA7010C/9010C/S	1	N/A
35	418519-9	PLATNA VYPINACA GA7010C/9010C	1	N/A
36	158401-7	VYPÍNAČ KPL. NA GA5021C	1	N/A
37	188630-8	HANDLE SET	1	N/A
37		*** INC. 24		N/A
38	450184-8	PRENÁŠAČ SVETLA	1	N/A
39	213977-2	O-KRÚŽOK 7 NA GA5020/6020	1	N/A
40	256505-0	KOLÍK 5 NA GA5020/6020	1	N/A
41	263002-9	KOLÍK GUMA 4	1	N/A
42	210033-9	LOŽISKO GULIČKOVÉ 696ZZ 2107FK/9554	1	N/A
43	233950-6	KRÚŽOK PRUŽNÝ 11	1	N/A
44	227521-9	KOLESO OZUBENÉ 35	1	N/A
45	257171-6	KRÚŽOK VYMEDZOVACÍ PC5000	1	N/A
46	911003-8	SKRUTKA M3x6 911003-8	3	N/A
47	285728-3	KRYT LOŽISKA 39	1	N/A
48	211241-5	LOŽISKO GULIČKOVÉ 6202DDW MT601/811	1	N/A
49	253853-8	PODLOŽKA 15 LS1040	1	N/A
50	213624-5	O-KRÚŽOK 48	1	N/A
51	345464-4	LABYRINTOVY KRUZOK 9554NB-9558NB	1	N/A
52	325625-2	OSKA PC 5000	1	N/A
53	158914-8	Einfassungsschale PC5000C	1	N/A
53.2	141021-4	ODSÁVACÍ ADAPTÉR PC5000C	1	N/A
54	911256-9	SKRUTKA M 5X35	4	N/A
55	911024-0	Pan Head Screw	1	N/A
56	240114-5	KOLESO VENTILÁTORA	1	N/A
57	346045-7	PLATŇA PC 5000	1	N/A
58	911115-7	SKRUTKA M 4X10	3	N/A
59	922312-0	IMBUSOVA SKRUTKA M6X12 4122	2	N/A
60	424188-6	DUST COVER CAP	1	N/A
60.2	424526-2	DUST COVER CAP	1	N/A
61	424187-8	DUST COVER	1	N/A
61.2	424525-4	DUST COVER	1	N/A
62	443145-5	KEFKA B	1	N/A
62.2	743341-8	Brush B	1	N/A
63	443144-7	KEFKA A	1	N/A
63.2	743340-0	Brush A	1	N/A



## Makita Werkzeug Ges.m.b.H.

Airportstr. 4, 2401 Fischamend

Tel: 02232 / 777 00

Fax: 02232 / 777 00 - 40

Mail: [verkauf@makita.at](mailto:verkauf@makita.at)

Web: [www.makita.at](http://www.makita.at)

### Makita Service Information / Model: PC5000C

POS	Bestell-Nr.	Artikelbeschreibung	Stk.	Stk.Preis
64	224554-5	LOCK NUT 14-45	1	N/A
65	416256-9	BÜGELGRIF F KOMP. PC5000C	1	N/A
66	922453-2	INBUSSCHRAUBE M8x30 PC5000C	2	N/A
67	450189-8	DISTANZSTÜCK A PC5000C	1	N/A
68	450190-3	PODLOŽKA PC5000C	1	N/A
69	253828-7	PODLOŽKA VYMEDZOVACIA 10 AN5010	1	N/A
1001	122853-8	DUST BAG ASS'Y	1	N/A
1002	410047-0	WRENCH HOLDER 5.6	1	N/A
1003	782426-5	LOCK NUT WRENCH 35	1	N/A
1004	783203-8	HEX. WRENCH 5	1	N/A
1005	140073-2	STEEL CARRYING CASE COMPLETE	1	N/A
1006	194921-7	SADA KEFIEK A+B NA PC5000C	1	N/A
1007	B-12295	DIAMANTSCHLEIFE 125MM DM PC500	1	N/A