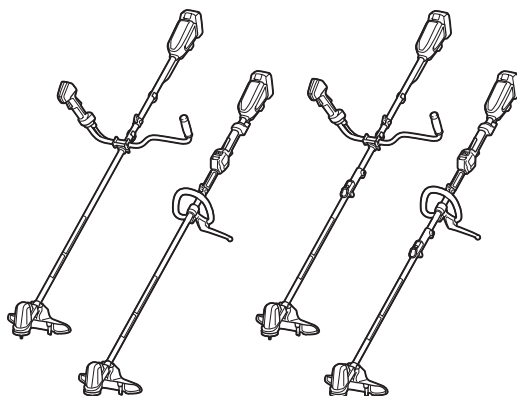
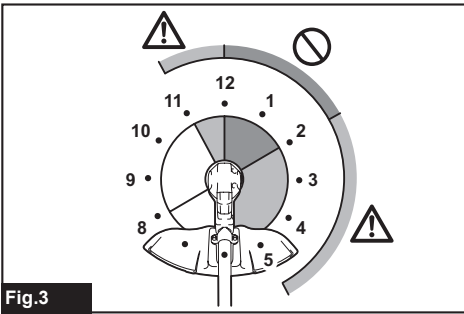
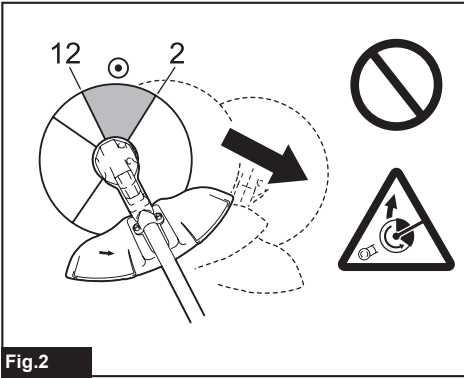
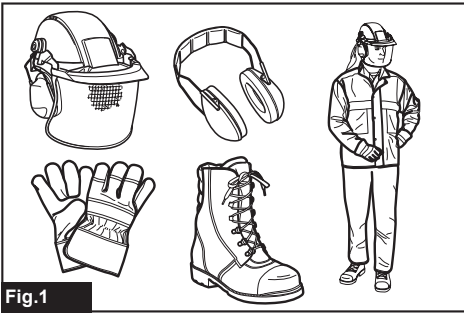




EN	Cordless Grass Trimmer	INSTRUCTION MANUAL	11
PL	Akumulatorowa wykaszarka do trawy	INSTRUKCJA OBSŁUGI	24
HU	Vezeték nélküli fűkasza	HASZNÁLATI KÉZIKÖNYV	38
SK	Akumulátorový krovinořez	NÁVOD NA OBSLUHU	52
CS	Akumulátorový vyžínač	NÁVOD K OBSLUZE	65
UK	Акумуляторна газонокосарка	ІНСТРУКЦІЯ З ЕКСПЛУАТАЦІЇ	78
RO	Motocosoitoare pentru iarbă fără cablu	MANUAL DE INSTRUCȚIUNI	93
DE	Akku-Rasentrimmer	BETRIEBSANLEITUNG	107

DUR190U
DUR190L
DUR191U
DUR191L





DUR190L
DUR191L

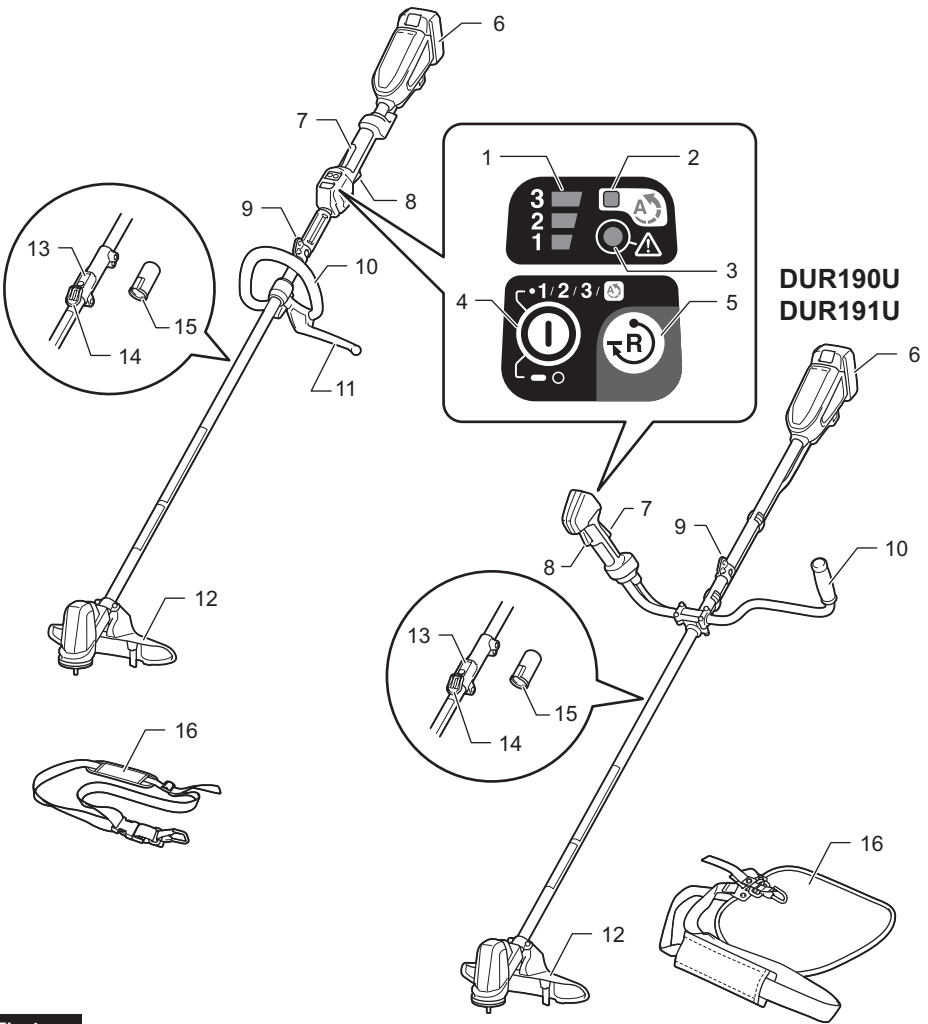


Fig.4

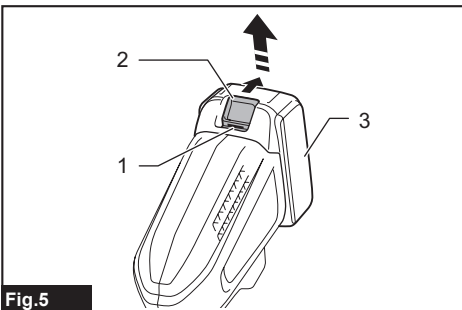


Fig.5

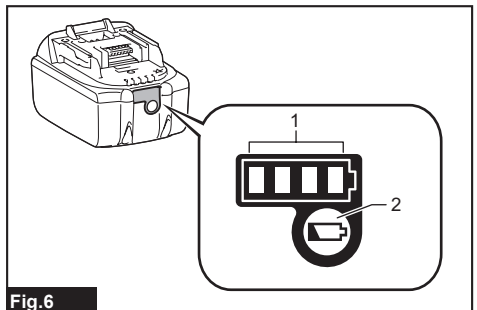
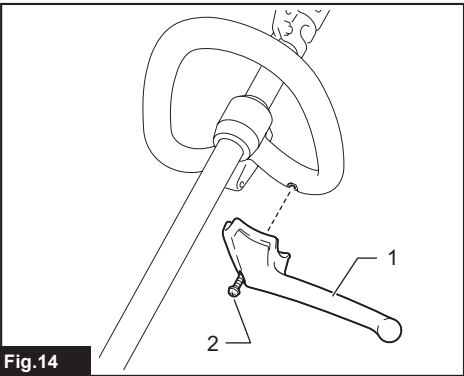
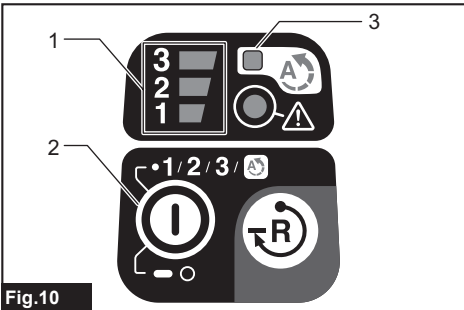
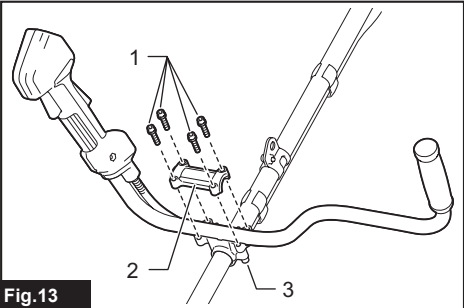
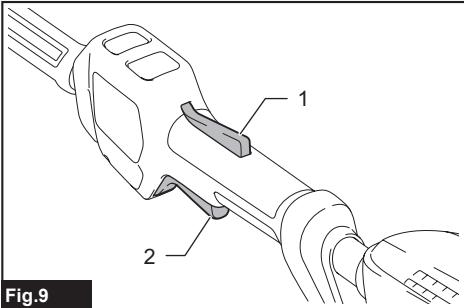
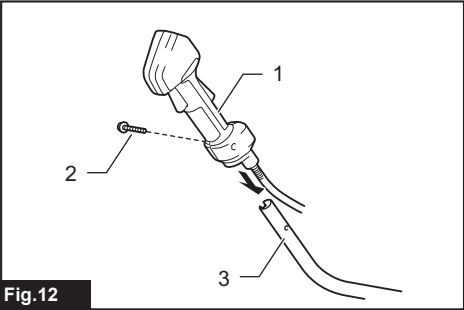
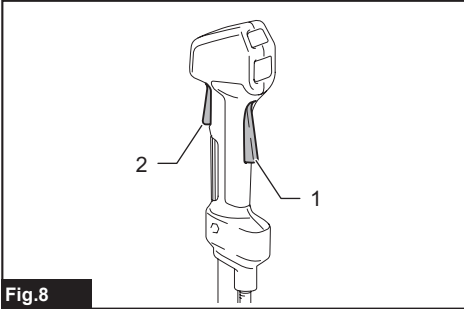
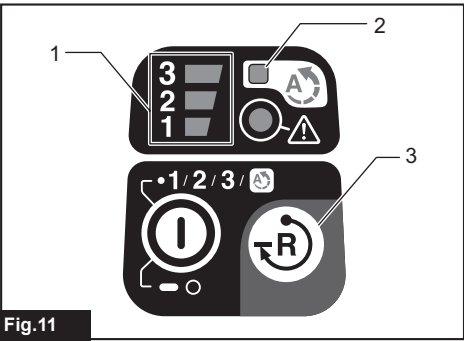
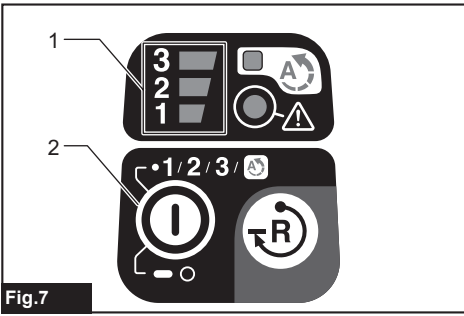


Fig.6



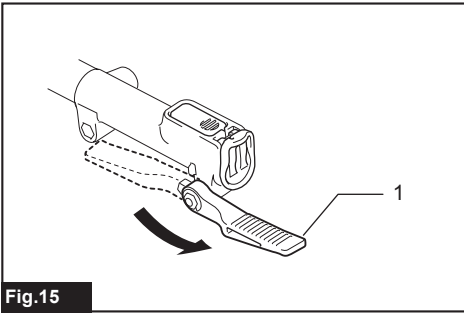


Fig.15

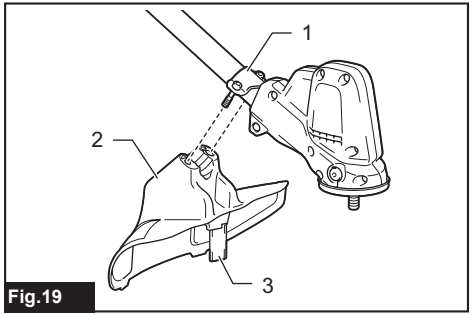


Fig.19

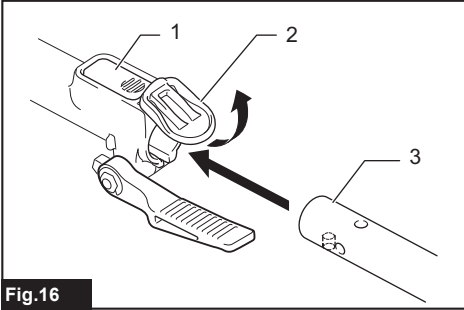


Fig.16

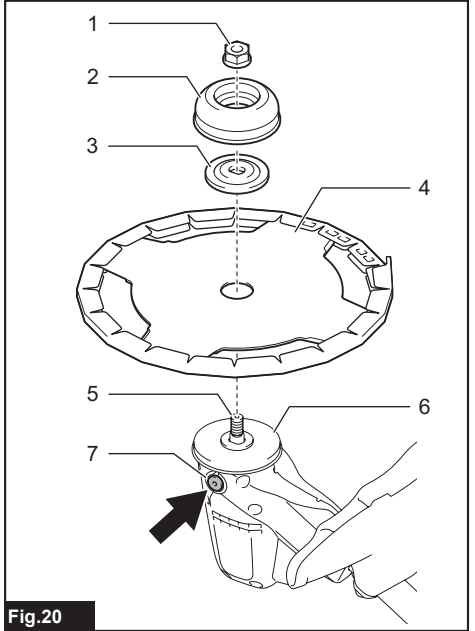


Fig.20

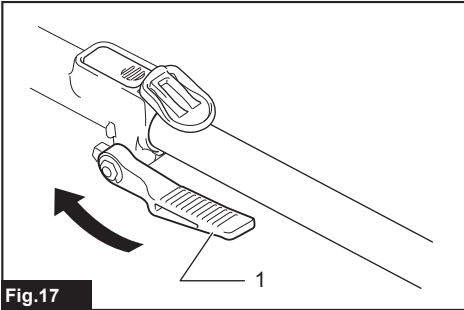


Fig.17

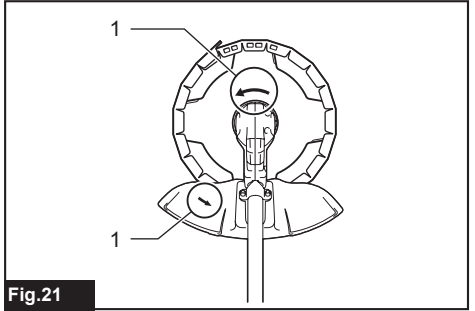


Fig.21

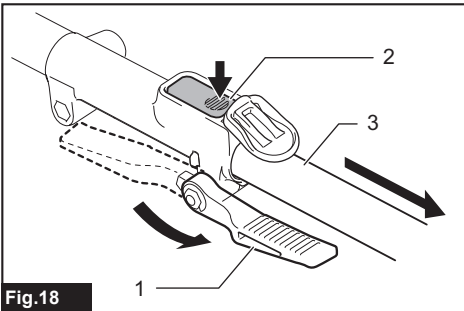


Fig.18

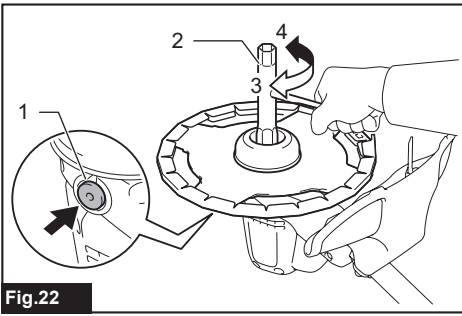


Fig.22

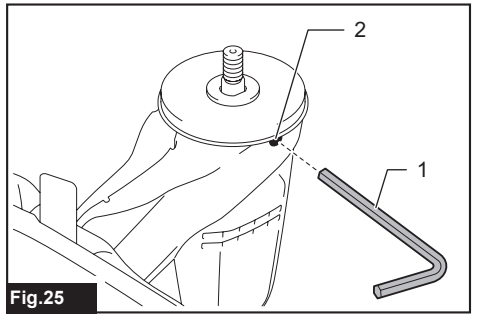


Fig.25

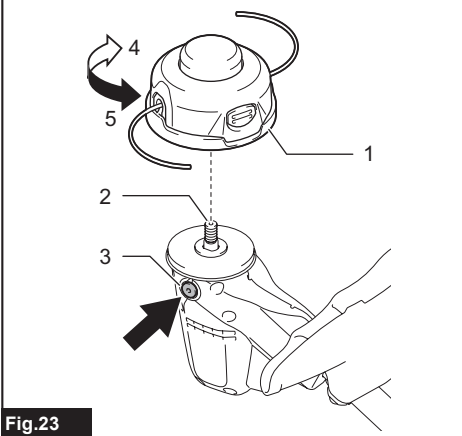


Fig.23

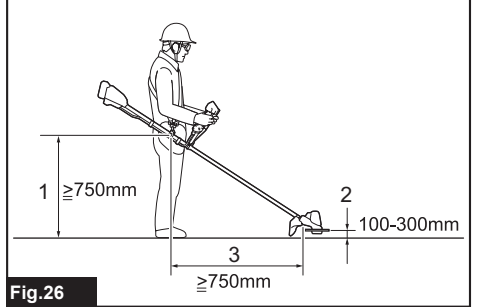


Fig.26

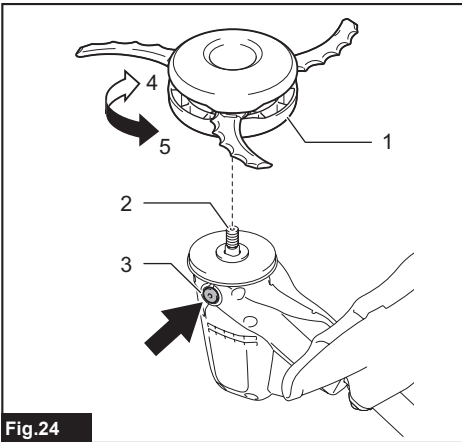


Fig.24

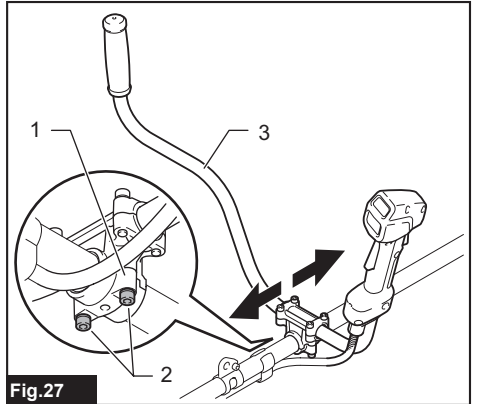


Fig.27

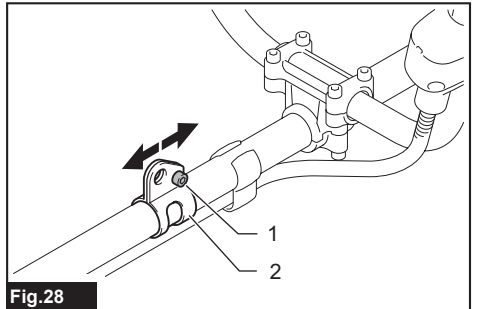
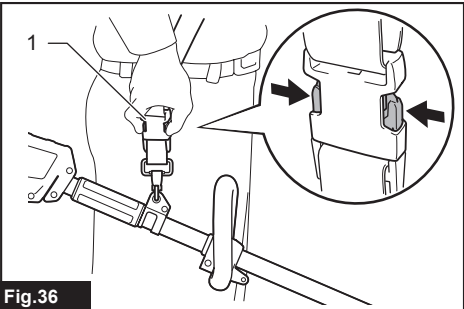
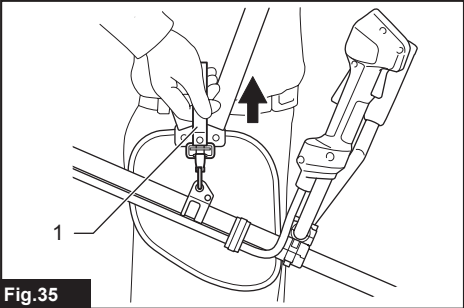
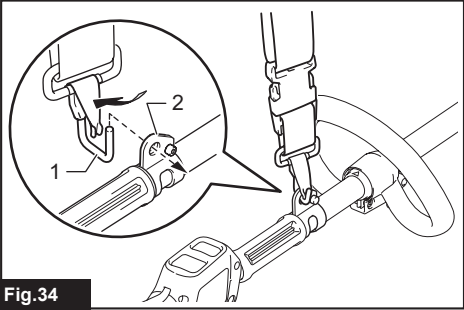
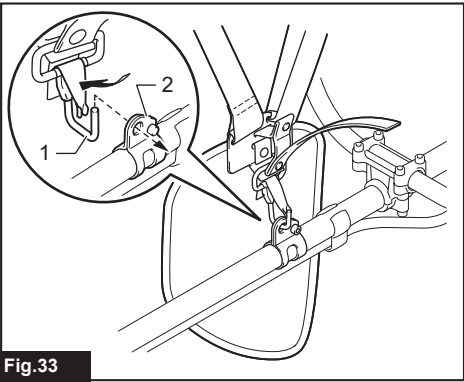
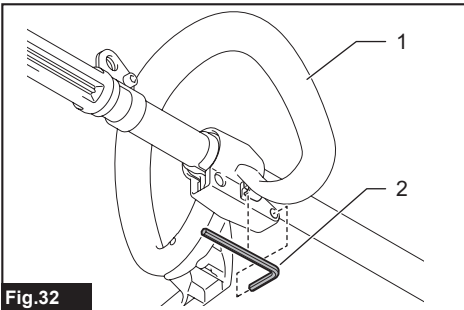
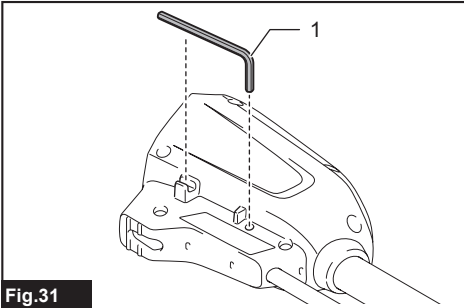
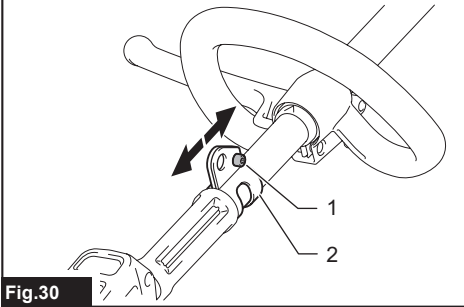
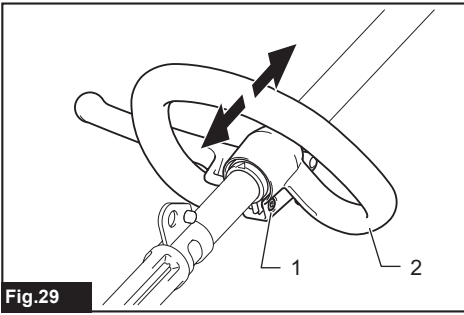


Fig.28



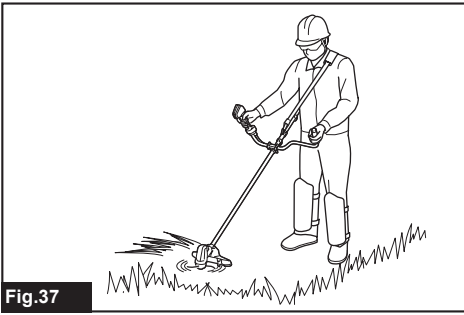


Fig.37

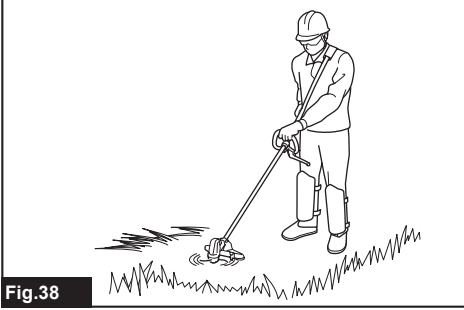


Fig.38

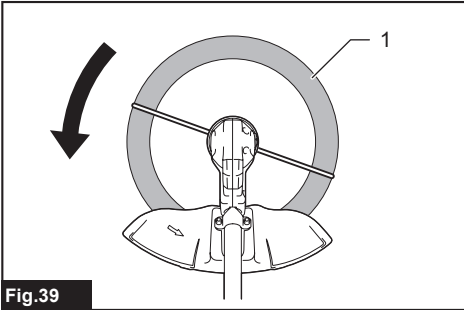


Fig.39

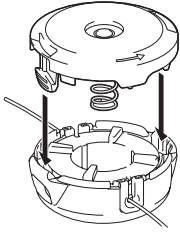
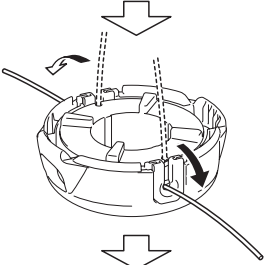
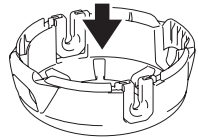
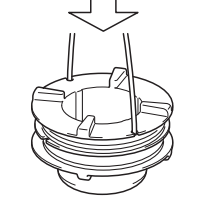
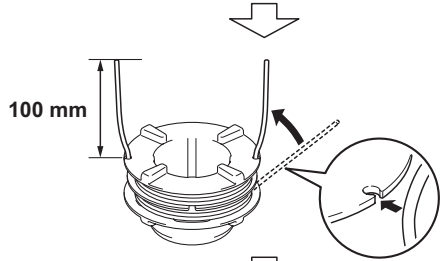
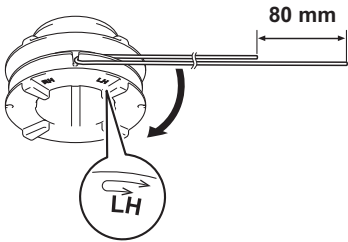
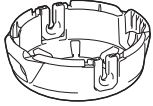
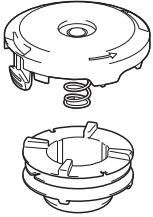
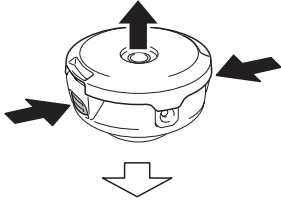
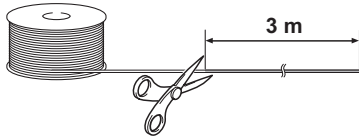


Fig.40

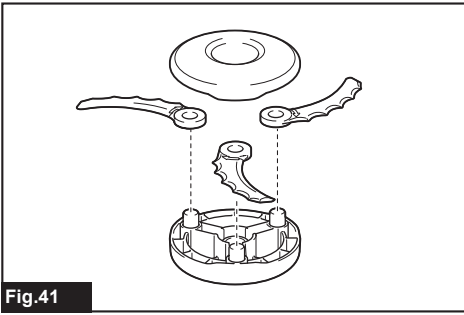


Fig.41

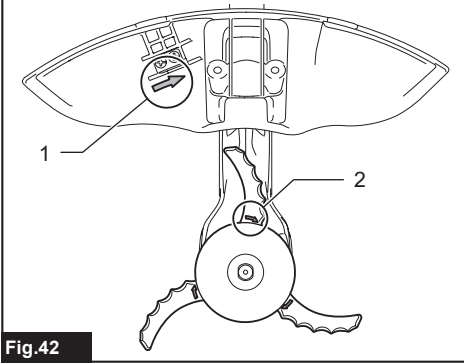


Fig.42

SPECIFICATIONS

Model:		DUR190U	DUR190L	DUR191U	DUR191L
Type of handle		Bike handle	Loop handle	Bike handle	Loop handle
No load speed		3: 6.000 min ⁻¹ 2: 5.100 min ⁻¹ 1: 3.500 min ⁻¹			
Overall length (without cutting tool)		1,775 mm			
Nylon cord diameter		2.0 - 2.4 mm			
Applicable cutting tool and cutting diameter	3-tooth blade (P/N 191J34-5)	230 mm			
	4-tooth blade (P/N 729025-2)	230 mm			
	Nylon cutting head (P/N 126674-0)	300 mm			
	Plastic blade (P/N 126642-3)	230 mm			
Rated voltage		D.C. 18 V			
Net weight		3.1 - 3.4 kg	2.9 - 3.2 kg	3.4 - 3.7 kg	3.2 - 3.5 kg

- Due to our continuing program of research and development, the specifications herein are subject to change without notice.
- Specifications may differ from country to country.
- The weight may differ depending on the attachment(s), including the battery cartridge. The lightest and heaviest combination, according to EPTA-Procedure 01/2014, are shown in the table.

Applicable battery cartridge and charger

Battery cartridge	BL1815N / BL1820 / BL1820B / BL1830 / BL1830B / BL1840 / BL1840B / BL1850 / BL1850B / BL1860B
Charger	DC18RC / DC18RD / DC18RE / DC18SD / DC18SE / DC18SF / DC18SH

- Some of the battery cartridges and chargers listed above may not be available depending on your region of residence.

⚠ WARNING: Only use the battery cartridges and chargers listed above. Use of any other battery cartridges and chargers may cause injury and/or fire.

Recommended battery adapter

Battery adapter	PDC01
-----------------	-------

- The battery adapter(s) listed above may not be available depending on your region of residence.
- Before using the battery adapter, read instruction and cautionary markings on the battery adapter.

Noise

Model DUR190U

Cutting tool	Sound pressure level (L_{pA}) dB(A)		Sound power level (L_{wA}) dB(A)		Applicable standard
	L_{pA} dB(A)	Uncer- tainty (K) dB(A)	L_{wA} dB(A)	Uncer- tainty (K) dB(A)	
4-tooth blade	77.0	3.9	91.6	2.4	ISO22868 (ISO11806-1)
Nylon cutting head	74.0	1.9	87.1	0.9	ISO22868 (ISO11806-1)/ EN50636-2-91
Plastic blade	75.6	1.3	85.9	2.1	ISO22868 (ISO11806-1)/ EN50636-2-91

Model DUR190L

Cutting tool	Sound pressure level (L_{pA}) dB(A)		Sound power level (L_{wA}) dB(A)		Applicable standard
	L_{pA} dB(A)	Uncer- tainty (K) dB(A)	L_{wA} dB(A)	Uncer- tainty (K) dB(A)	
4-tooth blade	77.0	3.9	91.6	2.4	ISO22868 (ISO11806-1)
Nylon cutting head	74.0	1.9	87.1	0.9	ISO22868 (ISO11806-1)/ EN50636-2-91
Plastic blade	75.6	1.3	85.9	2.1	ISO22868 (ISO11806-1)/ EN50636-2-91

Model DUR191U

Cutting tool	Sound pressure level (L_{pA}) dB(A)		Sound power level (L_{wA}) dB(A)		Applicable standard
	L_{pA} dB(A)	Uncer- tainty (K) dB(A)	L_{wA} dB(A)	Uncer- tainty (K) dB(A)	
4-tooth blade	77.0	3.9	91.6	2.4	ISO22868 (ISO11806-1)
Nylon cutting head	74.0	1.9	87.1	0.9	ISO22868 (ISO11806-1)/ EN50636-2-91
Plastic blade	75.6	1.3	85.9	2.1	ISO22868 (ISO11806-1)/ EN50636-2-91

Model DUR191L

Cutting tool	Sound pressure level (L_{pA}) dB(A)		Sound power level (L_{wA}) dB(A)		Applicable standard
	L_{pA} dB(A)	Uncer- tainty (K) dB(A)	L_{wA} dB(A)	Uncer- tainty (K) dB(A)	
4-tooth blade	77.0	3.9	91.6	2.4	ISO22868 (ISO11806-1)
Nylon cutting head	74.0	1.9	87.1	0.9	ISO22868 (ISO11806-1)/ EN50636-2-91
Plastic blade	75.6	1.3	85.9	2.1	ISO22868 (ISO11806-1)/ EN50636-2-91

- Even if the sound pressure level listed above is 80 dB (A) or less, the level under working may exceed 80 dB (A). Wear ear protection.

NOTE: The declared noise emission value(s) has been measured in accordance with a standard test method and may be used for comparing one tool with another.

NOTE: The declared noise emission value(s) may also be used in a preliminary assessment of exposure.

⚠WARNING: Wear ear protection.

⚠WARNING: The noise emission during actual use of the power tool can differ from the declared value(s) depending on the ways in which the tool is used especially what kind of workpiece is processed.

⚠WARNING: Be sure to identify safety measures to protect the operator that are based on an estimation of exposure in the actual conditions of use (taking account of all parts of the operating cycle such as the times when the tool is switched off and when it is running idle in addition to the trigger time).

Vibration

Model DUR190U

Cutting tool	Left hand		Right hand		Applicable standard
	$a_{h,w}$ (m/s ²)	Uncertainty K (m/s ²)	$a_{h,w}$ (m/s ²)	Uncertainty K (m/s ²)	
4-tooth blade	≤ 2.5	1.5	≤ 2.5	1.5	ISO22867 (ISO11806-1)
Nylon cutting head	≤ 2.5	1.5	≤ 2.5	1.5	ISO22867 (ISO11806-1)
Plastic blade	≤ 2.5	1.5	≤ 2.5	1.5	ISO22867 (ISO11806-1)

Model DUR190L

Cutting tool	Left hand		Right hand		Applicable standard
	$a_{h,w}$ (m/s ²)	Uncertainty K (m/s ²)	$a_{h,w}$ (m/s ²)	Uncertainty K (m/s ²)	
4-tooth blade	≤ 2.5	1.5	≤ 2.5	1.5	ISO22867 (ISO11806-1)
Nylon cutting head	≤ 2.5	1.5	≤ 2.5	1.5	ISO22867 (ISO11806-1)
Plastic blade	≤ 2.5	1.5	≤ 2.5	1.5	ISO22867 (ISO11806-1)

Model DUR191U

Cutting tool	Left hand		Right hand		Applicable standard
	$a_{h,w}$ (m/s ²)	Uncertainty K (m/s ²)	$a_{h,w}$ (m/s ²)	Uncertainty K (m/s ²)	
4-tooth blade	≤ 2.5	1.5	≤ 2.5	1.5	ISO22867 (ISO11806-1)
Nylon cutting head	≤ 2.5	1.5	≤ 2.5	1.5	ISO22867 (ISO11806-1)
Plastic blade	≤ 2.5	1.5	≤ 2.5	1.5	ISO22867 (ISO11806-1)

Model DUR191L

Cutting tool	Left hand		Right hand		Applicable standard
	$a_{h,w}$ (m/s ²)	Uncertainty K (m/s ²)	$a_{h,w}$ (m/s ²)	Uncertainty K (m/s ²)	
4-tooth blade	≤ 2.5	1.5	≤ 2.5	1.5	ISO22867 (ISO11806-1)
Nylon cutting head	≤ 2.5	1.5	≤ 2.5	1.5	ISO22867 (ISO11806-1)
Plastic blade	≤ 2.5	1.5	≤ 2.5	1.5	ISO22867 (ISO11806-1)

NOTE: The declared vibration total value(s) has been measured in accordance with a standard test method and may be used for comparing one tool with another.







NOTE: The declared vibration total value(s) may also be used in a preliminary assessment of exposure.


⚠ WARNING: The vibration emission during actual use of the power tool can differ from the declared value(s) depending on the ways in which the tool is used especially what kind of workpiece is processed.

⚠ WARNING: Be sure to identify safety measures to protect the operator that are based on an estimation of exposure in the actual conditions of use (taking account of all parts of the operating cycle such as the times when the tool is switched off and when it is running idle in addition to the trigger time).

Symbols

The followings show the symbols used for the equipment. Be sure that you understand their meaning before use.

	Take particular care and attention.
	Read instruction manual.
	Keep distance at least 15 m.
	Danger; be aware of thrown objects.
	Caution; kickback
	Wear a helmet, goggles and ear protection.
	Wear protective gloves.
	Wear sturdy boots with nonslip soles. Steeltoed safety boots are recommended.
	Do not expose to moisture.

	Ni-MH Li-Ion
	Only for EU countries Do not dispose of electric equipment or battery pack together with household waste material! In observance of the European Directives, on Waste Electric and Electronic Equipment and Batteries and Accumulators and Waste Batteries and Accumulators and their implementation in accordance with national laws, electric equipment and batteries and battery pack(s) that have reached the end of their life must be collected separately and returned to an environmentally compatible recycling facility.

EC Declaration of Conformity

For European countries only

The EC declaration of conformity is included as Annex A to this instruction manual.

SAFETY WARNINGS

General power tool safety warnings

⚠ WARNING: Read all safety warnings, instructions, illustrations and specifications provided with this power tool. Failure to follow all instructions listed below may result in electric shock, fire and/or serious injury.

Save all warnings and instructions for future reference.

The term "power tool" in the warnings refers to your mains-operated (corded) power tool or battery-operated (cordless) power tool.

Important safety instructions for the tool

⚠ WARNING: Read all safety warnings and all instructions. Failure to follow the warnings and instructions may result in electric shock, fire and/or serious injury.

Save all warnings and instructions for future reference.

Intended use

1. This tool is only intended for cutting grass, weeds, bushes and undergrowth. It should not be used for any other purpose such as edging or hedge cutting as this may cause injury.

General instructions

1. Never allow people unfamiliar with these instructions, people (including children) with reduced physical, sensory or mental capabilities, or lack of experience and knowledge to use the tool. Children should be supervised to ensure that they do not play with the tool.
2. Before starting the tool, read this instruction manual to become familiar with the handling of the tool.
3. Do not lend the tool to a person with insufficient experience or knowledge regarding handling of brushcutters and string trimmers.
4. When lending the tool, always attach this instruction manual.
5. Handle the tool with the utmost care and attention.
6. Never use the tool after consuming alcohol or drugs, or if feeling tired or ill.
7. Never attempt to modify the tool.
8. Follow the regulations about handling of brushcutters and string trimmers in your country.

Personal protective equipment

► Fig.1

1. Wear safety helmet, protective goggles and protective gloves to protect yourself from flying debris or falling objects.
2. Wear ear protection such as ear muffs to prevent hearing loss.
3. Wear proper clothing and shoes for safe operation, such as a work overall and sturdy, non-slip shoes. Do not wear loose clothing or jewelry. Loose clothes, jewelry or long hair can be caught in moving parts.

4. **When touching the cutting blade, wear protective gloves.** Cutting blades can cut bare hands severely.

Work area safety

1. **Operate the tool under good visibility and daylight conditions only. Do not operate the tool in darkness or fog.**
2. **Do not operate the tool in explosive atmospheres, such as in the presence of flammable liquids, gases or dust.** The tool creates sparks which may ignite the dust or fumes.
3. **During operation, never stand on an unstable or slippery surface or a steep slope. During the cold season, beware of ice and snow and always ensure secure footing.**
4. **During operation, keep bystanders or animals at least 15 m away from the tool. Stop the tool as soon as someone approaches.**
5. **Never operate the tool while people, especially children, or pets are nearby.**
6. **Before operation, examine the work area for stones or other solid objects.** They can be thrown or cause dangerous kickback and result in serious injury and/or property damage.
7. **⚠️WARNING:** Use of this product can create dust containing chemicals which may cause respiratory or other illnesses. Some examples of these chemicals are compounds found in pesticides, insecticides, fertilizers and herbicides. Your risk from these exposures varies, depending on how often you do this type of work. To reduce your exposure to these chemicals: work in a well ventilated area, and work with approved safety equipment, such as those dust masks that are specially designed to filter out microscopic particles.

Electrical and battery safety

1. **Do not expose the tool to rain or wet conditions.** Water entering the tool will increase the risk of electric shock.
2. **Do not use the tool if the switch does not turn it on and off.** Any tool that cannot be controlled with the switch is dangerous and must be repaired.
3. **Prevent unintentional starting. Ensure the switch is in the off-position before installing a battery pack, picking up or carrying the tool.** Carrying the tool with your finger on the switch or energising the tool that have the switch on invites accidents.
4. **Do not dispose of the battery(ies) in a fire.** The cell may explode. Check with local codes for possible special disposal instructions.
5. **Do not open or mutilate the battery(ies).** Released electrolyte is corrosive and may cause damage to the eyes or skin. It may be toxic if swallowed.
6. **Do not charge battery in rain, or in wet locations.**

Putting into operation

1. **Before assembling or adjusting the tool, remove the battery cartridge.**
2. **Before handling the cutter blade, wear protective gloves.**

3. **Before installing the battery cartridge, inspect the tool for damages, loose screws/nuts or improper assembly. Sharpen blunt cutter blade. If the cutter blade is bent or damaged, replace it. Check all control levers and switches for easy action. Clean and dry the handles.**
4. **Never attempt to switch on the tool if it is damaged or not fully assembled.** Otherwise serious injury may result.
5. **Adjust the shoulder harness and hand grip to suit the operator's body size.**
6. **When inserting a battery cartridge, keep the cutting attachment clear of your body and other object, including the ground.** It may rotate when starting and may cause injury or damage to the tool and/or property.
7. **Remove any adjusting key, wrench or blade cover before turning the tool on.** An accessory left attached to a rotating part of the tool may result in personal injury.
8. **The cutting tool has to be equipped with the guard. Never run the tool with damaged guards or without guards in place!**
9. **Make sure there are no electrical cables, water pipes, gas pipes etc. that could cause a hazard if damaged by use of the tool.**

Operation

1. **In the event of an emergency, switch off the tool immediately.**
2. **If you feel any unusual condition (e.g. noise, vibration) during operation, switch off the tool and remove the battery cartridge. Do not use the tool until the cause is recognized and solved.**
3. **The cutting attachment continues to rotate for a short period after turning the tool off. Don't rush to contact the cutting attachment.**
4. **During operation, use the shoulder harness. Keep the tool on your right side firmly.**
5. **Do not overreach. Keep proper footing and balance at all times. Watch for hidden obstacles such as tree stumps, roots and ditches to avoid stumbling.**
6. **Always be sure of your footing on slopes.**
7. **Walk, never run.**
8. **Never work on a ladder or tree to avoid loss of control.**
9. **If the tool gets heavy impact or fall, check the condition before continuing work. Check the controls and safety devices for malfunction. If there is any damage or doubt, ask our authorized service center for the inspection and repair.**
10. **Take a rest to prevent loss of control caused by fatigue.** We recommend taking a 10 to 20-minute rest every hour.
11. **When you leave the tool, even if it is a short time, always remove the battery cartridge.** The unattended tool with the battery cartridge installed may be used by unauthorized person and cause serious accident.
12. **If grass or branches get caught between the cutting attachment and guard, always turn the tool off and remove the battery cartridge before cleaning.** Otherwise the cutting attachment may rotate unintentionally and cause serious injury.

13. **Never touch moving hazardous parts before the moving hazardous parts have come to a complete stop and the battery cartridge is removed.**
14. **If the cutting attachment hits stones or other hard objects, immediately turn the tool off. Then remove the battery cartridge and inspect the cutting attachment.**
15. **Check the cutting attachment frequently during operation for cracks or damages. Before the inspection, remove the battery cartridge and wait until the cutting attachment stops completely. Replace damaged cutting attachment immediately, even if it has only superficial cracks.**
16. **Never cut above waist height.**
17. **Before starting the cutting operation, wait until the cutting attachment reaches a constant speed after turning the tool on.**
18. **When using a cutting blade, swing the tool evenly in half-circle from right to left, like using a scythe.**
19. **Hold the tool by insulated gripping surfaces only, because the cutter blade may contact hidden wiring. Cutter blades contacting a "live" wire may make exposed metal parts of the tool "live" and could give the operator an electric shock.**
20. **Do not start the tool when the cutting tool is tangled with cut grass.**
21. **Before starting the tool, be sure that the cutting tool is not touching the ground and other obstacles such as a tree.**
22. **During operation always hold the tool with both hands. Never hold the tool with one hand during use.**
23. **Do not operate the tool in bad weather or if there is a risk of lightning.**

Cutting tools

1. **Do not use a cutting tool which is not recommended by us.**
2. **Use an applicable cutting attachment for the job in hand.**
 - Nylon cutting heads (string trimmer heads) and plastic blades are suitable for trimming lawn grass.
 - Cutting blades are suitable for cutting weeds, high grasses, bushes, shrubs, underwood, thicket, and the like.
 - Never use other blades including metal multi-piece pivoting chains and flail blades. It may result in serious injury.
3. **Only use the cutting tool that are marked with a speed equal or higher than the speed marked on the tool.**
4. **Always keep your hands, face, and clothes away from the cutting tool when it is rotating. Failure to do so may cause personal injury.**
5. **Always use the cutting attachment guard properly suited for the cutting attachment used.**
6. **When using cutting blades, avoid kickback and always prepare for an accidental kickback. See the section for Kickback.**
7. **When not in use, attach the blade cover onto the blade. Remove the cover before operation.**

Kickback (Blade thrust)

1. **Kickback (blade thrust) is a sudden reaction to a caught or bound cutting blade. Once it occurs, the tool is thrown sideways or toward the operator at great force and it may cause serious injury.**
2. **Kickback occurs particularly when applying the blade segment between 12 and 2 o'clock to solids, bushes and trees with 3 cm or larger diameter.**
 - ▶ Fig.2
3. **To avoid kickback:**
 1. **Apply the segment between 8 and 11 o'clock.**
 2. **Never apply the segment between 12 and 2 o'clock.**
 3. **Never apply the segment between 11 and 12 o'clock and between 2 and 5 o'clock, unless the operator is well trained and experienced and does it at his/her own risk.**
 4. **Never use cutting blades close to solids, such as fences, walls, tree trunks and stones.**
 5. **Never use cutting blades vertically, for such operations as edging and trimming hedges.**

▶ Fig.3

Vibration

1. **People with poor circulation who are exposed to excessive vibration may experience injury to blood vessels or the nervous system.**
Vibration may cause the following symptoms to occur in the fingers, hands or wrists: "Falling asleep" (numbness), tingling, pain, stabbing sensation, alteration of skin color or of the skin. If any of these symptoms occur, see a physician!
2. **To reduce the risk of "white finger disease", keep your hands warm during operation and well maintain the tool and accessories.**

Transport

1. **Before transporting the tool, turn it off and remove the battery cartridge. Attach the cover to the cutting blade.**
2. **When transporting the tool, carry it in a horizontal position by holding the shaft.**
3. **When transporting the tool in a vehicle, properly secure it to avoid turnover. Otherwise damage to the tool and other baggage may result.**

Maintenance

1. **Have your tool serviced by our authorized service center, always using only genuine replacement parts. Incorrect repair and poor maintenance can shorten the life of the tool and increase the risk of accidents.**
2. **Before doing any maintenance or repair work or cleaning the tool, always turn it off and remove the battery cartridge.**
3. **Always wear protective gloves when handling the cutting blade.**

4. **Always clean dust and dirt off the tool. Never use gasoline, benzine, thinner, alcohol or the like for the purpose.** Discoloration, deformation or cracks of the plastic components may result.
5. **After each use, tighten all screws and nuts.**
6. **Do not attempt any maintenance or repair not described in the instruction manual. Ask our authorized service center for such work.**
7. **Always use our genuine spare parts and accessories only.** Using parts or accessories supplied by a third party may result in the tool breakdown, property damage and/or serious injury.
8. **Request our authorized service center to inspect and maintain the tool at regular interval.**
9. **Always keep the tool in good working condition.** Poor maintenance can result in inferior performance and shorten the life of the tool.

Storage

1. **Before storing the tool, perform full cleaning and maintenance. Remove the battery cartridge. Attach the cover to the cutting blade.**
2. **Store the tool in a dry and high or locked location out of reach of children.**
3. **Do not prop the tool against something, such as a wall.** Otherwise it may fall suddenly and cause an injury.

First aid

1. **Always have a first-aid kit close by. Immediately replace any item taken from the first aid kit.**
2. **When asking for help, give the following information:**
 - Place of the accident
 - What happened
 - Number of injured persons
 - Nature of the injury
 - Your name

Important safety instructions for battery cartridge

1. **Before using battery cartridge, read all instructions and cautionary markings on (1) battery charger, (2) battery, and (3) product using battery.**
2. **Do not disassemble battery cartridge.**
3. **If operating time has become excessively shorter, stop operating immediately. It may result in a risk of overheating, possible burns and even an explosion.**
4. **If electrolyte gets into your eyes, rinse them out with clear water and seek medical attention right away. It may result in loss of your eyesight.**
5. **Do not short the battery cartridge:**
 - (1) **Do not touch the terminals with any conductive material.**
 - (2) **Avoid storing battery cartridge in a container with other metal objects such as nails, coins, etc.**
 - (3) **Do not expose battery cartridge to water or rain.**

A battery short can cause a large current flow, overheating, possible burns and even a breakdown.

6. **Do not store the tool and battery cartridge in locations where the temperature may reach or exceed 50 °C (122 °F).**
7. **Do not incinerate the battery cartridge even if it is severely damaged or is completely worn out. The battery cartridge can explode in a fire.**
8. **Be careful not to drop or strike battery.**
9. **Do not use a damaged battery.**
10. **The contained lithium-ion batteries are subject to the Dangerous Goods Legislation requirements.**

For commercial transports e.g. by third parties, forwarding agents, special requirement on packaging and labeling must be observed. For preparation of the item being shipped, consulting an expert for hazardous material is required. Please also observe possibly more detailed national regulations.

Tape or mask off open contacts and pack up the battery in such a manner that it cannot move around in the packaging.
11. **When disposing the battery cartridge, remove it from the tool and dispose of it in a safe place. Follow your local regulations relating to disposal of battery.**
12. **Use the batteries only with the products specified by Makita.** Installing the batteries to non-compliant products may result in a fire, excessive heat, explosion, or leak of electrolyte.
13. **If the tool is not used for a long period of time, the battery must be removed from the tool.**

SAVE THESE INSTRUCTIONS.

⚠ CAUTION: Only use genuine Makita batteries. Use of non-genuine Makita batteries, or batteries that have been altered, may result in the battery bursting causing fires, personal injury and damage. It will also void the Makita warranty for the Makita tool and charger.

Tips for maintaining maximum battery life

1. **Charge the battery cartridge before completely discharged. Always stop tool operation and charge the battery cartridge when you notice less tool power.**
2. **Never recharge a fully charged battery cartridge. Overcharging shortens the battery service life.**
3. **Charge the battery cartridge with room temperature at 10 °C - 40 °C (50 °F - 104 °F). Let a hot battery cartridge cool down before charging it.**
4. **Charge the battery cartridge if you do not use it for a long period (more than six months).**

PARTS DESCRIPTION

► Fig.4

1	Speed indicator	2	ADT indicator (ADT = Automatic Torque Drive Technology)	3	Caution lamp	4	Main power button
5	Reverse button	6	Battery cartridge	7	Lock-off lever	8	Switch trigger
9	Hanger	10	Handle	11	Barrier (country specific)	12	Protector
13	Lock lever (DUR191U and DUR191L only)	14	Joint cover (DUR191U and DUR191L only)	15	Cap (DUR191U and DUR191L only)	16	Shoulder harness

FUNCTIONAL DESCRIPTION

⚠ WARNING: Always be sure that the tool is switched off and the battery cartridge is removed before adjusting or checking function on the tool. Failure to switch off and remove the battery cartridge may result in serious personal injury from accidental start-up.

Installing or removing battery cartridge

⚠ CAUTION: Always switch off the tool before installing or removing of the battery cartridge.

⚠ CAUTION: Hold the tool and the battery cartridge firmly when installing or removing battery cartridge. Failure to hold the tool and the battery cartridge firmly may cause them to slip off your hands and result in damage to the tool and battery cartridge and a personal injury.

► Fig.5: 1. Red indicator 2. Button 3. Battery cartridge

To remove the battery cartridge, slide it from the tool while sliding the button on the front of the cartridge.

To install the battery cartridge, align the tongue on the battery cartridge with the groove in the housing and slip it into place. Insert it all the way until it locks in place with a little click. If you can see the red indicator on the upper side of the button, it is not locked completely.

⚠ CAUTION: Always install the battery cartridge fully until the red indicator cannot be seen. If not, it may accidentally fall out of the tool, causing injury to you or someone around you.

⚠ CAUTION: Do not install the battery cartridge forcibly. If the cartridge does not slide in easily, it is not being inserted correctly.

Tool / battery protection system

The tool is equipped with a tool/battery protection system. This system automatically cuts off power to the motor to extend tool and battery life. The tool will automatically stop during operation if the tool is placed under one of the following conditions:

Caution lamp			Status
Color	● On	ⓘ Blinking	
Red	ⓘ		Overload
Red	●		Overheat
Red		ⓘ	Over discharge

Overload protection

If the tool gets into one of the following situation, the tool automatically stops and the caution lamp starts blinking in red:

- The tool is overloaded by entangled weeds or other debris.
- The cutting tool is locked or kicked back.
- The main power button is turned on while the switch trigger is being pulled.

In this situation, release the switch trigger and remove entangled weeds or debris if necessary. After that, pull the switch trigger again to resume.

⚠ CAUTION: If you need to remove the entangled weeds on the tool or release the locked cutting tool, be sure to turn the tool off before you start.

Overheat protection for tool or battery

If the tool or battery cartridge is overheated, the tool stops automatically. When the tool or battery cartridge is overheated, the speed indicator and ADT indicator go off and the caution lamp lights up in red. Let the tool and/or battery cool down before turning the tool on again.

Overdischarge protection

When the battery capacity becomes low, the tool stops automatically. The speed indicator and ADT indicator go off and the caution lamp starts blinking in red.

If the tool does not operate even when the switches are operated, remove the battery cartridge from the tool and charge it.

Indicating the remaining battery capacity

Only for battery cartridges with the indicator

► Fig.6: 1. Indicator lamps 2. Check button

Press the check button on the battery cartridge to indicate the remaining battery capacity. The indicator lamps light up for a few seconds.

Indicator lamps			Remaining capacity
Lighted	Off	Blinking	
			75% to 100%
			50% to 75%
			25% to 50%
			0% to 25%
			Charge the battery.
			The battery may have malfunctioned.

NOTE: Depending on the conditions of use and the ambient temperature, the indication may differ slightly from the actual capacity.

Main power switch

Tap the main power button to turn on the tool.

To turn off the tool, press and hold the main power button until the speed indicator goes off.

► Fig.7: 1. Speed indicator 2. Main power button

NOTE: The tool will automatically turned off if it is left without any operations for a certain period of time.

Switch action

⚠ WARNING: Before installing the battery cartridge on the tool, always check to see that the switch trigger actuates properly and returns to the "OFF" position when released. Operating a tool with a switch that does not actuate properly can lead to loss of control and serious personal injury.

⚠ CAUTION: Never put your finger on the switch when carrying. The tool may start unintentionally and cause injury.

To prevent the switch trigger from being accidentally pulled, a lock-off lever is provided.

To start the tool, grasp the handle (the lock-off lever is released by the grasp) and then pull the switch trigger. To stop the tool, release the switch trigger.

DUR190U and DUR191U

► Fig.8: 1. Lock-off lever 2. Switch trigger

DUR190L and DUR191L

► Fig.9: 1. Lock-off lever 2. Switch trigger

NOTE: The tool is automatically turned off after the tool is left for a certain period without any operations.

Speed adjusting

You can select the tool speed by tapping the main power button. Each time you tap the main power button, the level of speed will change.

► Fig.10: 1. Speed indicator 2. Main power button 3. ADT indicator

Speed indicator	Mode	Rotation speed
	ADT	3,500 - 6,000 min ⁻¹
3	High	6,000 min ⁻¹
2	Medium	5,100 min ⁻¹
1	Low	3,500 min ⁻¹

NOTE: When you set ADT (Automatic Torque Drive Technology), ADT indicator turns on and the tool runs at optimum rotation speed and torque for the condition of grass being cut.

Reverse button for debris removal

⚠ WARNING: Switch off the tool and remove the battery cartridge before you remove entangled weeds or debris which the reverse rotation function can not remove. Failure to switch off and remove the battery cartridge may result in serious personal injury from accidental start-up.

This tool has a reverse button to change the direction of rotation. It is only for removing weeds and debris entangled in the tool.

To reverse the rotation, tap the reverse button and pull the switch trigger while depressing the lock-off lever when the cutting tool is stopped. The speed indicators and ADT indicator start blinking, and the cutting tool rotates in reverse direction when you pull the switch trigger.

To return to regular rotation, release the trigger and wait until the cutting tool stops.

► Fig.11: 1. Speed indicator 2. ADT indicator 3. Reverse button

NOTE: During the reverse rotation, the tool operates only for a short period of time and then automatically stops.

NOTE: Once the tool is stopped, the rotation returns to regular direction when you start the tool again.

NOTE: If you tap the reverse button while the cutting tool is still rotating, the tool comes to stop and to be ready for reverse rotation.

Electric brake

This tool is equipped with an electric brake. If the tool consistently fails to quickly stop after the switch trigger is released, have the tool serviced at our service center.

⚠ CAUTION: This brake system is not a substitute for the protector. Never use the tool without the protector. An unguarded cutting tool may result in serious personal injury.

ASSEMBLY

⚠ WARNING: Always be sure that the tool is switched off and battery cartridge is removed before carrying out any work on the tool. Failure to switch off and remove the battery cartridge may result in serious personal injury from accidental start-up.

⚠ WARNING: Never start the tool unless it is completely assembled. Operation of the tool in a partially assembled state may result in serious personal injury from accidental start-up.

Installing the handle

For DUR190U and DUR191U only

1. Insert the shaft of the handle into the grip. Align the screw hole in the grip with the one in the shaft. Tighten the screw securely.

► Fig.12: 1. Grip 2. Screw 3. Handle

2. Place handle between handle clamp and handle holder. Adjust the handle to an angle that provides a comfortable working position and then secure with hex socket head bolts.

► Fig.13: 1. Hex socket head bolt 2. Handle clamp 3. Handle holder

Attaching the barrier

For DUR190L and DUR191L (country specific)

If the barrier is included in your model, attach it to the handle using the screw on the barrier.

► Fig.14: 1. Barrier 2. Screw

⚠ CAUTION: After assembling the barrier, do not remove it. The barrier works as a safety part to prevent you from contacting the cutting blade accidentally.

Mounting the attachment pipe

For DUR191U and DUR191L only

Mount the attachment pipe to the power unit.

1. Turn the lever to the direction of the arrow shown in the figure.

► Fig.15: 1. Lever

2. Pull up the joint cover and insert the attachment pipe while aligning the protrusion on the pipe (cutting tool side) with the concave portion of the joint part.

► Fig.16: 1. Lock lever 2. Joint cover 3. Pipe

Make sure that the surface of the lock lever is parallel to the pipe.

3. Turn the lever to the direction of the arrow shown in the figure.

► Fig.17: 1. Lever

To remove the pipe, turn the lever to the direction of the arrow shown in the figure and pull the pipe out while pressing down the lock lever.

► Fig.18: 1. Lever 2. Lock lever 3. Pipe

Installing the protector

⚠ WARNING: Never use the tool without the guard illustrated in place. Failure to do so can cause serious personal injury.

⚠ CAUTION: Take care not to injure yourself on the cutter for cutting the nylon cord.

Attach the protector to the clamp using bolts.

► Fig.19: 1. Clamp 2. Protector 3. Cutter

Installing the cutting tool

NOTE: The type of the cutting tool(s) supplied as the standard accessory varies depending on the countries. The cutting tool is not included in some countries.

NOTE: Turn the tool upside down so that you can replace the cutting tool easily.

Cutter blade

⚠ CAUTION: When handling a cutter blade, always wear gloves and put the blade cover on the blade.

⚠ CAUTION: The cutter blade must be well polished, and free of cracks or breakage. If the cutter blade hits a stone during operation, stop the tool and check the cutter blade immediately.

⚠ CAUTION: Always use the cutter blade with the diameter described in the section for specifications.

► Fig.20: 1. Nut 2. Cup 3. Clamp washer 4. Cutter blade 5. Spindle 6. Guard 7. Spindle lock button

1. Mount the cutter blade onto the guard so that the arrows on the cutter blade and protector are pointing in the same direction.

► Fig.21: 1. Arrow

2. Put the clamp washer and cup onto the cutter blade.

3. While holding down the spindle lock button, tighten the nut securely by the box wrench.

► Fig.22: 1. Spindle lock button 2. Box wrench 3. Loosen 4. Tighten

To remove the cutting blade, loosen the nut while holding down the spindle lock button.

Nylon cutting head

NOTICE: Be sure to use genuine Makita nylon cutting head.

While holding down the spindle lock button, place the nylon cutting head onto the spindle and tighten it securely by hand.

► **Fig.23:** 1. Nylon cutting head 2. Spindle 3. Spindle lock button 4. Loosen 5. Tighten

To remove the nylon cutting head, loosen the nylon cutting head while holding down the spindle lock button.

Plastic blade

NOTICE: Be sure to use genuine Makita plastic blade.

While holding down the spindle lock button, place the plastic blade onto the spindle and tighten it securely by hand.

► **Fig.24:** 1. Plastic blade 2. Spindle 3. Spindle lock button 4. Loosen 5. Tighten

To remove the plastic blade, loosen the plastic blade while holding down the spindle lock button.

NOTE: You can use the supplied hex wrench to install/remove the cutting tool. Insert the hex wrench to the hole as shown in the figure to lock the spindle.

► **Fig.25:** 1. Hex wrench 2. Hole

CAUTION: Always use the supplied wrenches to install/remove the cutting tool.

CAUTION: Be sure to remove the hex wrench inserted into the tool head after installing the cutting tool.

Adjusting the handle/hanger position

Adjust the handle and hanger position to obtain comfortable handling of the tool.

For DUR190U and DUR191U

Adjust the handle/hanger position so that the tool comes within the range as shown below.

► **Fig.26**

1	The hanger position from the ground
2	The cutting tool position from the ground
3	The horizontal distance between the hanger and the unguarded part of the cutting tool

Loosen the hex socket head bolts on the bottom of the handle holder. Move the handle to a comfortable working position and then tighten the bolts.

► **Fig.27:** 1. Handle holder 2. Hex socket head bolt 3. Handle

Loosen the Hex socket head bolts on the hanger. Move the hanger to a comfortable working position and then tighten the bolts.

► **Fig.28:** 1. Hex socket head bolt 2. Hanger

For DUR190L and DUR191L

Loosen the hex socket head bolts on the handle. Move the handle to a comfortable working position and then tighten the bolts.

► **Fig.29:** 1. Hex socket head bolt 2. Handle

Loosen the hex socket head bolt on the hanger. Move the hanger to a comfortable working position and then tighten the bolt.

► **Fig.30:** 1. Hex socket head bolt 2. Hanger

Hex wrench storage

When not in use, store the hex wrench as shown in the figure to keep it from being lost.

► **Fig.31:** 1. Hex wrench

For DUR190L and DUR191L only

► **Fig.32:** 1. Handle 2. Hex wrench

OPERATION

Attaching the shoulder harness

CAUTION: Always use the shoulder harness attached to the tool. Before operation, adjust the shoulder harness according to the user size to prevent fatigue.

CAUTION: Before operation, make sure that the shoulder harness is properly attached to the hanger on the tool.

Connect the hook of the shoulder harness to the hanger and put the shoulder harness on. Make sure that the tool is held securely by the shoulder harness.

DUR190U and DUR191U

► **Fig.33:** 1. Hook 2. Hanger

DUR190L and DUR191L

► **Fig.34:** 1. Hook 2. Hanger

Detachment

The shoulder harness features a means of quick release.

DUR190U and DUR191U

► **Fig.35:** 1. Strip

Pull out the strip release the tool from the shoulder harness.

DUR190L and DUR191L

► **Fig.36:** 1. Buckle

Simply squeeze the sides of the buckle to release the tool from the shoulder harness.

Correct handling of the tool

⚠ WARNING: Always position the tool on your right-hand side. Correct positioning of the tool allows for maximum control and will reduce the risk of serious personal injury caused by kickback.

⚠ WARNING: Be extremely careful to maintain control of the tool at all times. Do not allow the tool to be deflected toward you or anyone in the work vicinity. Failure to keep control of the tool could result in serious injury to the bystander and the operator.

⚠ WARNING: To avoid accident, leave more than 15m (50 ft) distance between operators when two or more operators work in one area. Also, arrange a person to observe the distance between operators. If someone or an animal enters the working area, immediately stop the operation.

⚠ CAUTION: If the cutting tool accidentally impacts a rock or hard object during operation, stop the tool and inspect for any damage. If the cutting tool is damaged, replace it immediately. Use of a damaged cutting tool may result in serious personal injury.

⚠ CAUTION: Remove the blade cover from the cutter blade when cutting the grass.

Correct positioning and handling allow optimum control and reduce the risk of injury caused by kickback.

DUR190U and DUR191U

► Fig.37

DUR190L and DUR191L

► Fig.38

When using a nylon cutting head (bump & feed type)

The nylon cutting head is a dual string trimmer head provided with a bump & feed mechanism.

To feed out the nylon cord, tap the cutting head against the ground while rotating.

► Fig.39: 1. Most effective cutting area

NOTICE: The bump feed will not operate properly if the nylon cutting head is not rotating.

NOTE: If the nylon cord does not feed out while tapping the head, rewind/replace the nylon cord by following the procedures in the section for the maintenance.

MAINTENANCE

⚠ WARNING: Always be sure that the tool is switched off and battery cartridge is removed before attempting to perform inspection or maintenance on the tool. Failure to switch off and remove the battery cartridge may result in serious personal injury from accidental start-up.

NOTICE: Never use gasoline, benzine, thinner, alcohol or the like. Discoloration, deformation or cracks may result.

To maintain product SAFETY and RELIABILITY, repairs, any other maintenance or adjustment should be performed by Makita Authorized or Factory Service Centers, always using Makita replacement parts.

Replacing the nylon cord

⚠ WARNING: Use only the nylon cord with diameter specified in this instruction manual. Never use heavier line, metal wire, rope or the like. Failure to do so may cause damage to the tool and result in serious personal injury.

⚠ WARNING: Always remove the nylon cutting head from the tool when replacing the nylon cord.

⚠ WARNING: Make sure that the cover of the nylon cutting head is secured to the housing properly as described in this instruction manual. Failure to properly secure the cover may cause the nylon cutting head to fly apart resulting in serious personal injury.

Replace the nylon cord if it is not fed any more. The method of replacing the nylon cord varies depending on the type of the nylon cutting head.

95-M10L

► Fig.40

Replacing the plastic blade

Replace the plastic blade if it is worn out or broken.

► Fig.41

When installing the plastic blade, align the direction of the arrow on the blade with that of the protector.

► Fig.42: 1. Arrow on the protector 2. Arrow on the blade

TROUBLESHOOTING

Before asking for repairs, conduct your own inspection first. If you find a problem that is not explained in the manual, do not attempt to dismantle the tool. Instead, ask Makita Authorized Service Centers, always using Makita replacement parts for repairs.

State of abnormality	Probable cause (malfunction)	Remedy
Motor does not run.	Battery cartridge is not installed.	Install the battery cartridge.
	Battery problem (under voltage)	Recharge the battery. If recharging is not effective, replace battery.
	The drive system does not work correctly.	Ask your local authorized service center for repair.
Motor stops running after a little use.	Battery's charge level is low.	Recharge the battery. If recharging is not effective, replace battery.
	Overheating.	Stop using of tool to allow it to cool down.
It does not reach maximum RPM.	Battery is installed improperly.	Install the battery cartridge as described in this manual.
	Battery power is dropping.	Recharge the battery. If recharging is not effective, replace battery.
	The drive system does not work correctly.	Ask your local authorized service center for repair.
Cutting tool does not rotate: ⇒ stop the machine immediately!	Foreign object such as a branch is jammed between the guard and the cutting tool.	Remove the foreign object.
	The drive system does not work correctly.	Ask your local authorized service center for repair.
Abnormal vibration: ⇒ stop the machine immediately!	One end of the nylon cord has been broken.	Tap the nylon cutting head against the ground while it is rotating to cause the cord to feed.
	The drive system does not work correctly.	Ask your local authorized service center for repair.
Cutting tool and motor cannot stop: ⇒ Remove the battery immediately!	Electric or electronic malfunction.	Remove the battery and ask your local authorized service center for repair.

OPTIONAL ACCESSORIES

⚠WARNING: Only use the recommended accessories or attachments indicated in this manual. The use of any other accessory or attachment may result in serious personal injury.

⚠CAUTION: These accessories or attachments are recommended for use with your Makita tool specified in this manual. The use of any other accessories or attachments might present a risk of injury to persons. Only use accessory or attachment for its stated purpose.

If you need any assistance for more details regarding these accessories, ask your local Makita Service Center.

- Cutter blade
- Nylon cutting head
- Nylon cord (cutting line)
- Plastic blade
- Makita genuine battery and charger

NOTE: Some items in the list may be included in the tool package as standard accessories. They may differ from country to country.

DANE TECHNICZNE

Model:		DUR190U	DUR190L	DUR191U	DUR191L
Typ uchwytu		Uchwyt rowerowy	Uchwyt pałkowy	Uchwyt rowerowy	Uchwyt pałkowy
Prędkość bez obciążenia		3: 6 000 min ⁻¹ 2: 5 100 min ⁻¹ 1: 3 500 min ⁻¹			
Całkowita długość (bez narzędzia tnącego)		1 775 mm			
Średnica żyłki nylonowej		2,0–2,4 mm			
Możliwe do zastosowania narzędzie tnące i średnica cięcia	Nóż z 3 zębami (nr produktu 191J34-5)	230 mm			
	Nóż z 4 zębami (nr produktu 729025-2)	230 mm			
	Żyłkowa głowica tnąca (nr produktu 126674-0)	300 mm			
	Nóż z tworzywa sztucznego (nr produktu 126642-3)	230 mm			
Napięcie znamionowe		Prąd stały 18 V			
Ciężar netto		3,1 - 3,4 kg	2,9 - 3,2 kg	3,4 - 3,7 kg	3,2 - 3,5 kg

- W związku ze stale prowadzonym przez naszą firmę programem badawczo-rozwojowym niniejsze dane mogą ulec zmianom bez wcześniejszego powiadomienia.
- Dane techniczne mogą różnić się w zależności od kraju.
- Masa może być różna w zależności od osprzętu, w tym akumulatora. W tabeli przedstawiona jest najlżejsza i najcięższa konfiguracja, zgodnie z procedurą EPTA 01/2014.

Kompatybilne akumulatory i ładowarki

Akumulator	BL1815N / BL1820 / BL1820B / BL1830 / BL1830B / BL1840 / BL1840B / BL1850 / BL1850B / BL1860B
Ładowarka	DC18RC / DC18RD / DC18RE / DC18SD / DC18SE / DC18SF / DC18SH

- Pewne z wymienionych powyżej akumulatorów i ładowarek mogą być niedostępne w regionie zamieszkania użytkownika.

⚠ OSTRZEŻENIE: Należy używać wyłącznie akumulatorów i ładowarek wymienionych powyżej. Używanie innych akumulatorów i ładowarek może stwarzać ryzyko wystąpienia obrażeń ciała lub pożaru.

Zalecany adapter akumulatora

Adapter akumulatora	PDC01
---------------------	-------

- Adaptery akumulatorów wymienione powyżej mogą być niedostępne w regionie zamieszkania użytkownika.
- Przed użyciem adaptera akumulatora należy przeczytać instrukcję oraz ostrzeżenia umieszczone na adapterze akumulatora.

Model DUR190U

Narzędzie tnące	Poziom ciśnienia akustycznego (L_{pA}) dB(A)		Poziom mocy akustycznej (L_{WA}) dB(A)		Obowiązująca norma
	L_{pA} dB(A)	Niepewność (K) dB(A)	L_{WA} dB(A)	Niepewność (K) dB(A)	
Nóż z 4 zębami	77,0	3,9	91,6	2,4	ISO22868 (ISO11806-1)
Żyłkowa głowica tnąca	74,0	1,9	87,1	0,9	ISO22868 (ISO11806-1)/ EN50636-2-91
Nóż z tworzywa sztucznego	75,6	1,3	85,9	2,1	ISO22868 (ISO11806-1)/ EN50636-2-91

Model DUR190L

Narzędzie tnące	Poziom ciśnienia akustycznego (L_{pA}) dB(A)		Poziom mocy akustycznej (L_{WA}) dB(A)		Obowiązująca norma
	L_{pA} dB(A)	Niepewność (K) dB(A)	L_{WA} dB(A)	Niepewność (K) dB(A)	
Nóż z 4 zębami	77,0	3,9	91,6	2,4	ISO22868 (ISO11806-1)
Żyłkowa głowica tnąca	74,0	1,9	87,1	0,9	ISO22868 (ISO11806-1)/ EN50636-2-91
Nóż z tworzywa sztucznego	75,6	1,3	85,9	2,1	ISO22868 (ISO11806-1)/ EN50636-2-91

Model DUR191U

Narzędzie tnące	Poziom ciśnienia akustycznego (L_{pA}) dB(A)		Poziom mocy akustycznej (L_{WA}) dB(A)		Obowiązująca norma
	L_{pA} dB(A)	Niepewność (K) dB(A)	L_{WA} dB(A)	Niepewność (K) dB(A)	
Nóż z 4 zębami	77,0	3,9	91,6	2,4	ISO22868 (ISO11806-1)
Żyłkowa głowica tnąca	74,0	1,9	87,1	0,9	ISO22868 (ISO11806-1)/ EN50636-2-91
Nóż z tworzywa sztucznego	75,6	1,3	85,9	2,1	ISO22868 (ISO11806-1)/ EN50636-2-91

Model DUR191L

Narzędzie tnące	Poziom ciśnienia akustycznego (L_{pA}) dB(A)		Poziom mocy akustycznej (L_{WA}) dB(A)		Obowiązująca norma
	L_{pA} dB(A)	Niepewność (K) dB(A)	L_{WA} dB(A)	Niepewność (K) dB(A)	
Nóż z 4 zębami	77,0	3,9	91,6	2,4	ISO22868 (ISO11806-1)
Żyłkowa głowica tnąca	74,0	1,9	87,1	0,9	ISO22868 (ISO11806-1)/ EN50636-2-91
Nóż z tworzywa sztucznego	75,6	1,3	85,9	2,1	ISO22868 (ISO11806-1)/ EN50636-2-91

- Nawet jeśli podany powyżej poziom ciśnienia akustycznego wynosi 80 dB (A) lub mniej, poziom ten podczas pracy może przekroczyć 80 dB (A). Nosić ochronniki słuchu.

WSKAZÓWKA: Deklarowana wartość emisji hałasu została zmierzona zgodnie ze standardową metodą testową i można ją wykorzystać do porównywania narzędzi.

WSKAZÓWKA: Deklarowaną wartość emisji hałasu można także wykorzystać we wstępnej ocenie narażenia.

⚠ OSTRZEŻENIE: Nosić ochronniki słuchu.

⚠ OSTRZEŻENIE: Poziom hałasu wytwarzanego podczas rzeczywistego użytkowania elektronarzędzia może się różnić od wartości deklarowanej w zależności od sposobu użytkowania narzędzia, a w szczególności od rodzaju obrabianego elementu.

⚠ OSTRZEŻENIE: W oparciu o szacowane narażenie w rzeczywistych warunkach użytkowania należy określić środki bezpieczeństwa w celu zapewnienia ochrony operatora (uwzględniając wszystkie elementy cyklu działania, tj. czas, kiedy narzędzie jest wyłączone i kiedy pracuje na biegu jałowym, a także czas, kiedy jest włączone).

Drgania

Model DUR190U

Narzędzie tnące	Lewa ręka		Prawa ręka		Obowiązująca norma
	$a_{h,w}$ (m/s ²)	Niepewność K (m/s ²)	$a_{h,w}$ (m/s ²)	Niepewność K (m/s ²)	
Nóż z 4 zębami	≤ 2,5	1,5	≤ 2,5	1,5	ISO22867 (ISO11806-1)
Żyłkowa głowica tnąca	≤ 2,5	1,5	≤ 2,5	1,5	ISO22867 (ISO11806-1)
Nóż z tworzywa sztucznego	≤ 2,5	1,5	≤ 2,5	1,5	ISO22867 (ISO11806-1)

Model DUR190L

Narzędzie tnące	Lewa ręka		Prawa ręka		Obowiązująca norma
	$a_{h,w}$ (m/s ²)	Niepewność K (m/s ²)	$a_{h,w}$ (m/s ²)	Niepewność K (m/s ²)	
Nóż z 4 zębami	≤ 2,5	1,5	≤ 2,5	1,5	ISO22867 (ISO11806-1)
Żyłkowa głowica tnąca	≤ 2,5	1,5	≤ 2,5	1,5	ISO22867 (ISO11806-1)
Nóż z tworzywa sztucznego	≤ 2,5	1,5	≤ 2,5	1,5	ISO22867 (ISO11806-1)

Model DUR191U

Narzędzie tnące	Lewa ręka		Prawa ręka		Obowiązująca norma
	$a_{h,w}$ (m/s ²)	Niepewność K (m/s ²)	$a_{h,w}$ (m/s ²)	Niepewność K (m/s ²)	
Nóż z 4 zębami	≤ 2,5	1,5	≤ 2,5	1,5	ISO22867 (ISO11806-1)
Żyłkowa głowica tnąca	≤ 2,5	1,5	≤ 2,5	1,5	ISO22867 (ISO11806-1)
Nóż z tworzywa sztucznego	≤ 2,5	1,5	≤ 2,5	1,5	ISO22867 (ISO11806-1)

Model DUR191L

Narzędzie tnące	Lewa ręka		Prawa ręka		Obowiązująca norma
	$a_{h,w}$ (m/s ²)	Niepewność K (m/s ²)	$a_{h,w}$ (m/s ²)	Niepewność K (m/s ²)	
Nóż z 4 zębami	≤ 2,5	1,5	≤ 2,5	1,5	ISO22867 (ISO11806-1)
Żyłkowa głowica tnąca	≤ 2,5	1,5	≤ 2,5	1,5	ISO22867 (ISO11806-1)
Nóż z tworzywa sztucznego	≤ 2,5	1,5	≤ 2,5	1,5	ISO22867 (ISO11806-1)

WSKAZÓWKA: Deklarowana wartość poziomu drgań została zmierzona zgodnie ze standardową metodą testową i można ją wykorzystać do porównywania narzędzi.

WSKAZÓWKA: Deklarowaną wartość poziomu drgań można także wykorzystać we wstępnej ocenie narażenia.

⚠️ OSTRZEŻENIE: Drgania wytwarzane podczas rzeczywistego użytkowania elektronarzędzia mogą się różnić od wartości deklarowanej w zależności od sposobu użytkowania narzędzia, a w szczególności od rodzaju obrabianego elementu.

⚠️ OSTRZEŻENIE: W oparciu o szacowane narażenie w rzeczywistych warunkach użytkowania należy określić środki bezpieczeństwa w celu zapewnienia ochrony operatora (uwzględniając wszystkie elementy cyklu działania, tj. czas, kiedy narzędzie jest wyłączone i kiedy pracuje na biegu jałowym, a także czas, kiedy jest włączone).

Symbole

Poniżej pokazano symbole zastosowane na urządzeniu. Przed rozpoczęciem użytkowania należy zapoznać się z ich znaczeniem.

	Zachować szczególną ostrożność.
	Przeczytać instrukcję obsługi.
	Zachować odległość co najmniej 15 m.
	Niebezpieczeństwo; uważać na wyrzucane przedmioty.
	Przeostrożność; odrzut
	Nosić kask, gogle oraz ochronniki słuchu.
	Nosić rękawice ochronne.
	Nosić wytrzymałe obuwie robocze na podszewie antypoślizgowej. Zalecane jest obuwie ze stalowymi noskami.
	Chronić przed wilgocią.
	Dotyczy tylko państw UE Nie wyrzucać urządzeń elektrycznych ani akumulatorów wraz z odpadami z gospodarstwa domowego! Zgodnie z dyrektywami europejskimi w sprawie zużytego sprzętu elektrycznego i elektronicznego oraz baterii i akumulatorów, a także dostosowaniem ich do prawa krajowego, zużyte urządzenia elektryczne, baterie i akumulatory należy składować osobno i przekazywać do zakładu recyklingu działającego zgodnie z przepisami dotyczącymi ochrony środowiska.

Deklaracja zgodności WE

Dotyczy tylko krajów europejskich

Deklaracja zgodności WE jest dołączona jako załącznik A do niniejszej instrukcji obsługi.

OSTRZEŻENIA DOTYCZĄCE BEZPIECZEŃSTWA

Ogólne zasady bezpiecznej eksploatacji elektronarzędzi

⚠️ OSTRZEŻENIE: Należy zapoznać się z ostrzeżeniami dotyczącymi bezpieczeństwa, instrukcjami, ilustracjami i danymi technicznymi dołączonymi do tego elektronarzędzia. Niezastosowanie się do podanych poniżej instrukcji może prowadzić do porażenia prądem, pożaru i/lub poważnych obrażeń ciała.

Wszystkie ostrzeżenia i instrukcje należy zachować do wykorzystania w przyszłości.

Pojęcie „elektronarzędzie”, występujące w wymienionych tu ostrzeżeniach, odnosi się do elektronarzędzia zasilanego z sieci elektrycznej (z przewodem zasilającym) lub do elektronarzędzia akumulatorowego (bez przewodu zasilającego).

Ważne zasady bezpieczeństwa dotyczące narzędzia

⚠️ OSTRZEŻENIE: Przeczytać wszystkie ostrzeżenia bezpieczeństwa i wszystkie instrukcje. Niezastosowanie się do wspomnianych ostrzeżeń i instrukcji może doprowadzić do porażenia prądem elektrycznym, pożaru i/lub poważnych obrażeń ciała.

Wszystkie ostrzeżenia i instrukcje należy zachować do wykorzystania w przyszłości.

Przeznaczenie

1. Narzędzie to jest przeznaczone do koszenia trawy, chwastów, zarosli i poszycia. Nie należy używać go do żadnych innych celów, takich jak krawędziowanie lub przycinanie żywopłotu, ponieważ grozi to obrażeniami.

Instrukcje ogólne

1. Narzędzie nie może być używane przez osoby, które nie zapoznały się z niniejszą instrukcją, osoby (w tym dzieci) o ograniczonej sprawności ruchowej, sensorycznej lub umysłowej oraz osoby nieposiadające odpowiedniej wiedzy i doświadczenia. Należy pilnować, aby dzieci nie bawiły się narzędziem.
2. Przed uruchomieniem narzędzia należy przeczytać tę instrukcję, aby zapoznać się z jego obsługą.
3. Nie należy pożyczać narzędzia osobie trzeciej nieposiadającej odpowiedniego doświadczenia lub wiedzy dotyczącej obsługi kosi spalinowej i wykaszarki.
4. W przypadku pożyczania narzędzia należy zawsze dołączyć do niego niniejszą instrukcję obsługi.
5. Podczas użytkowania narzędzia należy zachować maksymalną ostrożność i uwagę.
6. Nie wolno używać narzędzia po zażyciu alkoholu lub narkotyków bądź w przypadku uczucia zmęczenia lub choroby.
7. Nie wolno modyfikować narzędzia.
8. Postępować zgodnie z przepisami dotyczącymi obsługi kos spalinowych i wykaszarek obowiązujących w danym kraju.

Środki ochrony osobistej

► Rys.1

1. Nosić kask bezpieczeństwa, okulary ochronne oraz rękawice ochronne w celu ochrony ciała przed odrzucanymi w powietrze odpadkami lub spadającymi przedmiotami.
2. Stosować odpowiednią ochronę słuchu, taką jak nauszniki, w celu zabezpieczenia słuchu przed uszkodzeniem.
3. Nosić odpowiednią odzież oraz obuwie, takie jak kombinezon roboczy i wytrzymałe obuwie na antypoślizgowej podeszwie, w celu zapewnienia bezpiecznej obsługi. Nie nosić luźnych ubrań ani biżuterii. Luźne części ubrania, biżuteria i długie włosy mogą zaplątać się znajdujące się w ruchu części.
4. Przed dotknięciem ostrza tnącego należy założyć rękawice ochronne. Ostrza tnące mogą poważnie zranić odsłonięte dłonie.

Bezpieczeństwo w miejscu pracy

1. Narzędzie może być eksploatowane tylko przy dobrym oświetleniu i odpowiedniej widoczności. Nie używać narzędzia w ciemności lub podczas mgły.
2. Nie wolno użytkować narzędzia w atmosferach wybuchowych, na przykład w obecności łatwopalnych cieczy, gazów lub pyłów. Narzędzie wytwarza iskry, które mogą spowodować zapłon pyłów lub oparów.
3. Podczas obsługi narzędzia nigdy nie stawać na niestabilnej lub śliskiej nawierzchni bądź strumym zboczach. Podczas zimy należy zwrócić szczególną uwagę na lód i śnieg oraz zawsze przyjąć stabilną pozycję.

4. Podczas pracy z użyciem narzędzia należy zachować odległość co najmniej 15 m od osób postronnych i zwierząt. W przypadku zbliżania się osoby trzeciej wyłączyć narzędzie.
5. Nie wolno użytkownika narzędzia, gdy w pobliżu znajdują się inne osoby, zwłaszcza dzieci, oraz zwierzęta.
6. Przed rozpoczęciem eksploatacji należy sprawdzić miejsce pracy pod kątem występowania kamieni lub innych obiektów. Mogą one zostać wyrzucone lub spowodować niebezpieczny odrzut, co może być przyczyną poważnych obrażeń i/lub uszkodzenia mienia.
7. **⚠OSTRZEŻENIE:** Eksploatacja niniejszego produktu może prowadzić do powstania pyłu zawierającego substancje chemiczne, które mogą przedostać się do układu oddechowego lub przyczynić się do innych dolegliwości. Niektóre z tych substancji chemicznych mogą być związkami występującymi w pestycydach, środkach owadobójczych, nawozach i środkach chwastobójczych. Stopień narażenia na te substancje zależy od tego, jak często wykonywane są tego typu prace. Aby zmniejszyć narażenie na powyższe substancje chemiczne należy pracować w miejscach dobrze wentylowanych i używać sprawdzonych zabezpieczeń, takich jak maski przeznaczone do odfiltrowywania mikroskopijnych cząstek.

Zasady bezpieczeństwa dotyczące urządzeń elektrycznych i akumulatora

1. Nie narażać narzędzia na działanie deszczu lub wilgoci. Woda, która dostanie się do wnętrza narzędzia, zwiększa ryzyko porażenia prądem elektrycznym.
2. Nie używać narzędzia, jeśli nie da się go włączyć lub wyłączyć przełącznikiem. Narzędzie, którego pracy nie można kontrolować przełącznikiem, może być niebezpieczne i należy je naprawić.
3. Nie dopuszczać do przypadkowego uruchomienia. Przed zamontowaniem akumulatora, podniesieniem lub przeniesieniem narzędzia należy sprawdzić, czy przełącznik znajduje się w pozycji wyłączenia. Przenoszenie narzędzia z palcem na przełączniku lub podłączanie narzędzia do zasilania przy włączonym przełączniku grozi wypadkiem.
4. Nie wyrzucać akumulatorów do ognia. Ogniwo może eksplodować. Należy zapoznać się z obowiązującymi lokalnie przepisami, które określają specjalne wytyczne dotyczące utylizacji odpadów.
5. Nie wolno otwierać ani niszczyć akumulatorów. Uwolniony elektrolit jest substancją żrącą, która może spowodować uszkodzenie oczu lub skóry. W przypadku poknięcia może być trujący.
6. Akumulatora nie należy ładować w deszczu ani w wilgotnym otoczeniu.

Uruchamianie urządzenia

1. Przed montażem lub regulacją narzędzia należy wyjąć akumulator.
2. Przed posłużeniem się ostrzem przecinarki należy założyć rękawice ochronne.

3. **Przed zamontowaniem akumulatora należy przeprowadzić kontrolę narzędzia pod kątem uszkodzeń, poluzowanych śrub/nakrętek lub nieprawidłowego montażu. Naostrzyć tępe ostrze przecinarki. Jeśli ostrze przecinarki jest złamane lub uszkodzone, wymienić je. Sprawdzić wszystkie dzwignie sterujące i przełączniki pod kątem prawidłowego działania. Oczyszczyć i osuszyć uchwyty.**
4. **Nigdy nie włączać narzędzia, jeżeli jest uszkodzone lub nie jest całkowicie zmontowane.** W przeciwnym wypadku może to spowodować poważne obrażenia ciała.
5. **Wyregulować szelki nośne oraz rękojeść w celu dopasowania do postury operatora.**
6. **Podczas wkładania akumulatora nie należy zbliżyć głowicy tnącej do ciała i innych obiektów, w tym do podłoża.** Podczas uruchamiania głowica może się obrócić i spowodować obrażenia ciała lub uszkodzenie narzędzia i/lub mienia.
7. **Przed włączeniem narzędzia należy usunąć wszystkie klucze regulacyjne, narzędzia lub osłonę ostrza.** Pozostawienie elementów wyposażenia w obrotowej części narzędzia może spowodować obrażenia ciała.
8. **Narzędzie tnące musi być wyposażone w osłonę. Nie wolno uruchamiać narzędzia z uszkodzonymi lub zdjętymi osłonami!**
9. **Należy się upewnić, że w obszarze pracy nie ma żadnych przewodów elektrycznych, rur instalacji wodnej, rur z gazem itp., które mogłyby stanowić zagrożenie po uszkodzeniu przez narzędzie.**
10. **Robić przerwy podczas pracy, aby zapobiec utracie kontroli w wyniku zmęczenia.** Zaleca się przerwę od 10 do 20 minut po każdej przepracowanej godzinie.
11. **W przypadku pozostawienia narzędzia, nawet na krótką chwilę, należy zawsze wyjąć akumulator.** Pozostawione bez nadzoru narzędzie z zamontowanym akumulatorem może zostać użyte przez nieupoważnioną osobę i doprowadzić do poważnego wypadku.
12. **Jeśli pomiędzy głowicą tnącą a osłoną utknęła trawa lub gałęzie, przed ich usunięciem należy wyłączyć narzędzie i wyjąć akumulator.** W przeciwnym razie głowica tnąca mogłaby się niespodziewanie obrócić i spowodować poważne obrażenia ciała.
13. **Nigdy nie dotykać ruchomych niebezpiecznych części narzędzia przed ich całkowitym zatrzymaniem i wyjęciem akumulatora.**
14. **Jeśli głowica tnąca uderzy o kamień lub inny obiekt, niezwłocznie wyłączyć narzędzie.** Następnie wyjąć akumulator i sprawdzić stan głowicy tnącej.
15. **Podczas pracy należy często sprawdzać, czy nie doszło do pęknięcia lub uszkodzenia głowicy tnącej.** Przed sprawdzeniem wyjąć akumulator i poczekać, aż głowica tnąca całkowicie się zatrzyma. Wymienić uszkodzoną głowicę tnącą, nawet jeśli pęknięcia są tylko powierzchowne.
16. **Nie wolno kosić powyżej pasa.**
17. **Przed rozpoczęciem koszenia poczekać, aż po włączeniu narzędzia prędkość się ustabilizuje.**
18. **Podczas użycia narzędzia tnącego płynnym ruchem zataczać narzędziem pół okręgu, z prawej strony do lewej i odwrotnie, tak jak podczas korzystania z kosy.**
19. **Ponieważ nóż tnący może zetknąć się z ukrytymi przewodami elektrycznymi, narzędzie należy trzymać wyłącznie za izolowane uchwyty.** Zetknięcie noży tnących z przewodem elektrycznym znajdującym się pod napięciem może spowodować, że odsłonięte elementy metalowe również znajdują się pod napięciem, grożąc porażeniem operatora prądem elektrycznym.
20. **Nie uruchamiać narzędzia, jeśli w narzędzie tnące zaplątała się ścięta trawa.**
21. **Przed uruchomieniem narzędzia upewnić się, czy narzędzie tnące nie dotyka podłoża i innych przeszkód, takich jak drzewa.**
22. **Podczas pracy zawsze należy trzymać narzędzie oburącz. Nie wolno trzymać włączonego narzędzia jedną ręką.**
23. **Nie korzystać z narzędzia przy złej pogodzie lub jeśli istnieje ryzyko wyładowań atmosferycznych.**

Obsługa

1. **W przypadku niebezpieczeństwa natychmiast wyłączyć narzędzie.**
2. **W przypadku nietypowego działania (np. hałas, wibracje) należy wyłączyć narzędzie i wyjąć akumulator. Nie używać narzędzia, dopóki przyczyna nie zostanie rozpoznana, a problem rozwiązany.**
3. **Po wyłączeniu narzędzia głowica tnąca obraca się jeszcze przez krótki czas. Nie należy od razu dotykać głowicy tnącej.**
4. **Podczas pracy zawsze używać szelek nośnych. Trzymać narzędzie stabilnie po prawej stronie ciała.**
5. **Nie sięgać zbyt daleko. Zawsze stać na pewnym podłożu i utrzymywać równowagę. Zwracać uwagę na ukryte przeszkody, takie jak pnie drzew, korzenie i rowy w celu uniknięcia potknięcia.**
6. **Podczas pracy na pochyłym terenie należy zadbać o dobre oparcie dla nóg.**
7. **Podczas użytkowania urządzenia należy chodzić, a nie biegać.**
8. **Aby nie dopuścić do utraty równowagi nigdy nie pracować na drabinie ani drzewie.**
9. **W przypadku silnego uderzenia narzędziem lub jego upadku należy sprawdzić jego stan przed wznowieniem pracy. Sprawdzić elementy sterujące i urządzenia zabezpieczające pod kątem usterek. W przypadku stwierdzenia uszkodzenia lub wątpliwości co do prawidłowej pracy narzędzia należy zwrócić się do autoryzowanego centrum serwisowego w celu przeprowadzenia przeglądu i naprawy.**

Narzędzia tnące

1. **Nie używać narzędzia tnącego innego niż zalecane.**
2. **Używać głowicy tnącej odpowiedniej do wykonywanego zadania.**
 - Do podkaszania trawnika należy używać żyłkowych głowic tnących (głowic wykaszarki) i noży z tworzywa sztucznego.

- Ostrza tnące są odpowiednie do koszenia chwastów, wysokiej trawy, krzewów, krzaków, poszycia, zarośli itp.
 - Nigdy nie używać innych ostrzy, w tym metalowych wieloelementowych łańcuchów obrotowych i noży młocących. Może to doprowadzić do poważnych obrażeń ciała.
3. **Stosować wyłącznie narzędzia tnące z oznaczeniem prędkości równym oznaczeniu prędkości na narzędziu lub wyższym.**
 4. **W czasie obrotów narzędzia tnącego nigdy nie należy zbliżać do niego dłoni, twarzy i odzieży.** Niezastosowanie się do tej zasady może spowodować obrażenia ciała.
 5. **Zawsze stosować osłonę głowicy tnącej odpowiednio dopasowanej do używanej głowicy tnącej.**
 6. **W przypadku stosowania ostrzy tnących należy unikać sytuacji mogących spowodować „odrzut” oraz być przygotowanym w każdej chwili na przypadkowy odrzut.** Więcej informacji zawiera punkt dotyczący odrzutu.
 7. **Jeśli narzędzie nie jest używane, założyć osłonę na ostrze. Przed rozpoczęciem pracy zdjąć osłonę.**

Odrzut (zablokowanie noża)

1. Odrzut (zablokowanie noża) to gwałtowna reakcja na zablokowanie lub wygięcie ostrza tnącego. Po jego wystąpieniu narzędzie zostaje odrzucone na bok lub w kierunku operatora z dużą siłą i może doprowadzić do poważnych obrażeń.
 2. Odrzut może wystąpić przede wszystkim podczas przykładania noża w położeniu odpowiadającym zakresowi między godziną 12 i 2 na tarczy zegara do twardych przedmiotów, krzewów lub drzew o średnicy 3 cm lub większej.
- Rys.2
3. **Aby uniknąć odrzutu:**
 1. Przykładać nóż w położeniu odpowiadającym zakresowi między godziną 8 i 11 na tarczy zegara.
 2. Nie wolno przykładać noża w położeniu odpowiadającym zakresowi między godziną 12 i 2 na tarczy zegara.
 3. Nie wolno przykładać noża w położeniu odpowiadającym zakresowi między godziną 11 i 12 oraz 2 i 5 na tarczy zegara, chyba że operator ma odpowiednie doświadczenie i wykona to na własną odpowiedzialność.
 4. Nie wolno używać noży tnących w pobliżu twardych przedmiotów, takich jak ogrodzenia, ściany, pnie drzew oraz kamienie.
 5. Nie wolno używać noży tnących w położeniu pionowym do takich operacji jak krawędziowanie lub przycinanie żywopłotu.
- Rys.3

Drgania

1. **U osób ze słabym krążeniem nadmierne drgania mogą spowodować urazy naczyń krwionośnych albo układu nerwowego.** Drgania mogą spowodować wystąpienie następujących objawów w palcach, dłoniach lub nadgarstkach: „zasypianie” (dřtwienie), mrowienie, bóle, wrażenie klucia, zmiany w zabarwieniu skóry lub zmiany na skórze. W przypadku wystąpienia któregokolwiek z powyższych objawów należy zgłosić się do lekarza!
2. **W celu zmniejszenia ryzyka wystąpienia „choroby białych palców” należy zapobiegać wyziębieniu dłoni oraz zapewnić prawidłowy stan narzędzia i akcesoriów.**

Transport

1. **Przed przetransportowaniem narzędzia należy je wyłączyć i wyjąć akumulator. Zamocować osłonę do ostrza tnącego.**
2. **Podczas transportu narzędzie należy przenosić w pozycji poziomej, trzymając za drążek.**
3. **W przypadku przewożenia narzędzia w pojeździe należy je odpowiednio zabezpieczyć, aby nie dopuścić do jego przewrócenia się.** W przeciwnym wypadku może dojść do uszkodzenia narzędzia oraz innych przewożonych bagaży.

Konserwacja

1. **Aby narzędzie podlegało serwisowaniu przez nasze autoryzowane centrum serwisowe, należy zawsze stosować wyłącznie oryginalne części zamienne.** Nieprawidłowa naprawa i konserwacja mogą przyczynić się do skrócenia żywotności narzędzia oraz zwiększenia ryzyka wypadków.
2. **Przed przystąpieniem do prac konserwacyjnych lub naprawczych narzędzia lub przed przystąpieniem do jego czyszczenia należy zawsze wyłączyć narzędzie i wyjąć akumulator.**
3. **Podczas pracy przy ostrzach tnących należy zawsze nosić rękawice ochronne.**
4. **Zawsze czyścić narzędzie z pyłu i zanieczyszczeń. Nie stosować benzyny, rozpuszczalników, alkoholu ani podobnych środków.** Substancje takie mogą spowodować odbarwienie, odkształcenie lub pęknięcie elementów z tworzyw sztucznych.
5. **Po każdym użyciu dokręcić wszystkie śruby i nakrętki.**
6. **Nie wykonywać prac konserwacyjnych ani naprawczych, które nie zostały opisane w tej instrukcji obsługi. W celu wykonania tego typu prac należy zwrócić się do autoryzowanego centrum serwisowego.**
7. **Stosować wyłącznie oryginalne akcesoria i części zamienne.** Stosowanie części lub akcesoriów innych producentów może prowadzić do uszkodzenia narzędzia, mienia i/lub powstania poważnych obrażeń.
8. **W regularnych odstępach czasu należy przekazywać narzędzie do jednego z naszych autoryzowanych centrów serwisowych w celu kontroli i wykonania czynności serwisowych.**
9. **Narzędzie należy utrzymywać w dobrym stanie.** Nieodpowiednia konserwacja może doprowadzić do obniżenia wydajności i skrócenia żywotności narzędzia.

Przechowywanie

1. Przed rozpoczęciem przechowywania narzędzia należy je dokładnie oczyścić i zakonserwować. Wyjąć akumulator. Zamocować osłonę do ostrza tnącego.
2. Narzędzie należy przechowywać w suchym, zamkniętym pomieszczeniu, wysoko, poza zasięgiem dzieci.
3. Nie opierać narzędzia, np. o ścianę. Nieprzestrzeżenie tej instrukcji może spowodować, że narzędzie przewróci się i spowoduje obrażenia u osób znajdujących się w pobliżu.

Pierwsza pomoc

1. W pobliżu należy zawsze przechowywać apteczkę pierwszej pomocy. Wszelkie braki z apteczki należy niezwłocznie uzupełniać.
2. Wzywając karetkę, należy podać następujące informacje:
 - Miejsce wypadku
 - Opis wydarzenia
 - Liczbę poszkodowanych osób
 - Opis obrażeń
 - Własne imię i nazwisko

Ważne zasady bezpieczeństwa dotyczące akumulatora

1. Przed użyciem akumulatora zapoznać się ze wszystkimi instrukcjami i znakami ostrzegawczymi na (1) ładowarce, (2) akumulatorze i (3) produkcie, w którym będzie używany akumulator.
2. Akumulatora nie wolno rozbierać.
3. Jeśli czas działania uległ znacznemu skróceniu, należy natychmiast przerwać pracę. Może bowiem dojść do przegrzania, ewentualnych poparzeń, a nawet eksplozji.
4. W przypadku przedostania się elektrolitu do oczu, przemyć je czystą wodą i niezwłocznie uzyskać pomoc lekarską. Może on bowiem spowodować utratę wzroku.
5. Nie doprowadzać do zwarcia akumulatora:
 - (1) Nie dotykać styków materiałami przewodzącymi prąd.
 - (2) Unikać przechowywania akumulatora w pojemniku z metalowymi przedmiotami, takimi jak gwoździe, monety itp.
 - (3) Chronić akumulator przed deszczem lub wodą.Zwarcie prowadzi do przepływu prądu elektrycznego o dużym natężeniu i przegrzania akumulatora, co w konsekwencji może grozić poparzeniami a nawet awarią urządzenia.
6. Narzędzia i akumulatora nie wolno przechowywać w miejscach, w których temperatura osiąga bądź przekracza 50°C (122°F).
7. Akumulatorów nie wolno spalać, również tych poważnie uszkodzonych lub całkowicie zużytych. Akumulator może eksplodować w ogniu.
8. Chronić akumulator przed upadkiem i uderzeniami.

9. Nie wolno używać uszkodzonego akumulatora.
10. Stanowiące wyposażenie akumulatory litowo-jonowe podlegają przepisom dotyczącym produktów niebezpiecznych.

Na potrzeby transportu komercyjnego, np. świadczony przez firmy trzecie czy spedycyjne, należy przestrzegać specjalnych wymagań w zakresie pakowania i oznaczania etykietami. Przygotowanie produktu do wysyłki wymaga skonsultowania się ze specjalistą ds. materiałów niebezpiecznych. Należy także przestrzegać przepisów krajowych, które mogą być bardziej szczegółowe.

Zakleić taśmą lub zaślepić otwarte styki akumulatora oraz zabezpieczyć go, aby nie mógł się przesuwać w opakowaniu.
11. Jeśli zajdzie konieczność utylizacji akumulatora, należy wyjąć go z narzędzia i przekazać w bezpieczne miejsce. Postępować zgodnie z przepisami lokalnymi dotyczącymi utylizacji akumulatorów.
12. Używać akumulatorów tylko z produktami określonymi przez firmę Makita. Zastosowanie akumulatorów w niezgodnych produktach może spowodować pożar, przegrzanie, wybuch lub wyciek elektrolitu.
13. Jeśli narzędzie nie będzie używane przez dłuższy czas, należy wyjąć z niego akumulator.

ZACHOWAĆ NINIEJSZE INSTRUKCJE.

▲PRZESTROGA: Używać wyłącznie oryginalnych akumulatorów firmy Makita. Używanie nieoryginalnych akumulatorów firm innych niż Makita lub akumulatorów, które zostały zmodyfikowane, może spowodować wybuch akumulatora i pożar, obrażenia ciała oraz zniszczenie mienia. Stanowi to również naruszenie warunków gwarancji firmy Makita dotyczących narzędzia i ładowarki.

Wskazówki dotyczące zachowania maksymalnej trwałości akumulatora

1. Akumulator należy naładować zanim zostanie do końca rozładowany. Po zauważeniu spadku mocy narzędzia należy przerwać pracę i naładować akumulator.
2. Nie wolno ładować powtórnie w pełni naładowanego akumulatora. Przeladowanie akumulatora skracza jego trwałość.
3. Akumulator należy ładować w temperaturze pokojowej w przedziale 10–40°C (50–104°F). W przypadku gorącego akumulatora przed przystąpieniem do ładowania należy poczekać, aż ostygnie.
4. Akumulatory niklowo-wodorkowe należy naładować po okresie długiego nieużytkowania (dłuższego niż sześć miesięcy).

OPIS CZĘŚCI

► Rys.4

1	Wskaźnik prędkości	2	Wskaźnik ADT (ADT = automatyczna regulacja momentu obrotowego)	3	Kontrolka ostrzegawcza	4	Główny przycisk zasilania
5	Przycisk obrotów wstecznych	6	Akumulator	7	Dźwignia blokady włączenia	8	Spust przełącznika
9	Wieszak	10	Uchwyt	11	Zabezpieczenie (rozwiązanie krajowe)	12	Ostłona
13	Dźwignia blokady (tylko DUR191U i DUR191L)	14	Pokrywa złącza (tylko DUR191U i DUR191L)	15	Nasadka (tylko DUR191U i DUR191L)	16	Szelki nośne

OPIS DZIAŁANIA

▲ OSTRZEŻENIE: Przed przystąpieniem do regulacji lub przeglądu narzędzia upewnij się, że jest ono wyłączone, a akumulator został wyjęty. Jeśli narzędzie nie zostanie wyłączone oraz nie zostanie wyjęty akumulator, może to spowodować poważne obrażenia ciała w wyniku przypadkowego uruchomienia.

Wkładanie i wjmowanie akumulatora

▲ PRZESTROGA: Przed włożeniem lub wyjęciem akumulatora należy zawsze wyłączyć narzędzie.

▲ PRZESTROGA: Podczas wkładania lub wjmowania akumulatora należy mocno trzymać narzędzie i akumulator. W przeciwnym razie mogą się one wyślizgnąć z rąk, powodując uszkodzenie narzędzia lub akumulatora i obrażenia ciała.

► **Rys.5:** 1. Czerwony wskaźnik 2. Przycisk 3. Akumulator

Aby wyjąć akumulator, przesunąć przycisk znajdujący się w przedniej jego części i wysunąć akumulator.

Aby włożyć akumulator, wyrównaj występ na akumulatorze z rowkiem w obudowie i wsuń go na swoje miejsce. Akumulator należy wsunąć do oporu, aż się zatrzaśnie na miejscu, co jest sygnalizowane delikatnym kliknięciem. Jeśli w górnej części przycisku jest widoczny czerwony wskaźnik, akumulator nie został całkowicie zatrzaśnięty.

▲ PRZESTROGA: Akumulator należy włożyć do końca, tak aby czerwony wskaźnik nie był widoczny. W przeciwnym razie może przypadkowo wypaść z narzędzia, powodując obrażenia operatora lub osób postronnych.

▲ PRZESTROGA: Nie wkładać akumulatora na siłę. Jeśli akumulator nie daje się swobodnie wsunąć, oznacza to, że został włożony nieprawidłowo.

Układ zabezpieczenia narzędzia/akumulatora

Narzędzie jest wyposażone w układ zabezpieczenia narzędzia/akumulatora. Układ automatycznie odcina zasilanie silnika w celu wydłużenia trwałości narzędzia i akumulatora. Narzędzie zostanie automatycznie zatrzymane podczas pracy w następujących sytuacjach związanych z narzędziem:

Kontrolka ostrzegawcza			Stan
Kolor	● Wł.	● Miga	
Czerwona	<input type="radio"/>	<input checked="" type="radio"/>	Przeciążenie
Czerwona	<input checked="" type="radio"/>	<input type="radio"/>	Przegrzanie
Czerwona	<input type="radio"/>	<input type="radio"/>	Całkowite rozładowanie

Zabezpieczenie przed przeciążeniem

W przypadku każdej z następujących sytuacji narzędzie zostanie automatycznie zatrzymane, a kontrolka ostrzegawcza zacznie migać na czerwono:

- Narzędzie uległo przeciążeniu w wyniku zaplątania się w nie trawę lub innych odpadków.
- Doszło do zablokowania lub odrzucenia narzędzia tnącego.
- Włączono główny przycisk zasilania, podczas gdy pociągany był spust przełącznika.

W takiej sytuacji należy zwolnić spust przełącznika i w razie konieczności usunąć wplątane chwasty lub zanieczyszczenia. Następnie należy ponownie pociągnąć spust przełącznika w celu wznowienia pracy.

▲ PRZESTROGA: Przed przystąpieniem do usuwania zaplątanej trawy lub odblokowywania narzędzia tnącego należy upewnić się, że narzędzie zostało wyłączone.

Zabezpieczenie przed przegrzaniem narzędzia lub akumulatora

W przypadku przegrzania narzędzia lub akumulatora narzędzie wyłączy się automatycznie. W przypadku przegrzania narzędzia lub akumulatora wskaźnik prędkości i wskaźnik funkcji ADT wyłącza się, a kontrolka ostrzegawcza zacznie świecić na czerwono. Przed ponownym włączeniem należy poczekać, aż narzędzie i/lub akumulator ostygną.

Zabezpieczenie przed nadmiernym rozładowaniem

Gdy stan naładowania akumulatora spadnie, narzędzie wyłączy się automatycznie. Wskaźnik prędkości i wskaźnik funkcji ADT wyłączą się, a kontrolka ostrzegawcza zacznie migać na czerwono. Jeśli narzędzie nie działa pomimo użycia przełączników, z narzędzia należy wyjąć akumulator i naładować go.

Wskaźanie stanu naładowania akumulatora

Tylko w przypadku akumulatorów ze wskaźnikiem

► **Rys.6:** 1. Lampki wskaźnika 2. Przycisk kontrolny

Nacisnąć przycisk kontrolny na akumulatorze w celu wyświetlenia stanu naładowania akumulatora. Lampki wskaźnika zaświecą się przez kilka sekund.

Lampki wskaźnika			Pozostała energia akumulatora
Świeci się	Wyłączony	Miga	
			75–100%
			50–75%
			25–50%
			0–25%
			Naładować akumulator.
			Akumulator może nie działać poprawnie.

WSKAZÓWKA: Zależnie od warunków użytkowania i temperatury otoczenia, wskaźwany poziom może nieznacznie się różnić od rzeczywistego stanu naładowania akumulatora.

Główny przełącznik zasilania

Aby włączyć narzędzie, należy nacisnąć główny przycisk zasilania.

Aby wyłączyć narzędzie, należy nacisnąć główny przycisk zasilania i przytrzymać go do momentu aż wskaźnik prędkości zgaśnie.

► **Rys.7:** 1. Wskaźnik prędkości 2. Główny przycisk zasilania

WSKAZÓWKA: W przypadku pozostawienia narzędzia w stanie bezczynności przez pewien okres czasu narzędzie zostanie automatycznie wyłączone.

Działanie przełącznika

OSTRZEŻENIE: Przed włożeniem akumulatora do narzędzia należy zawsze sprawdzić, czy spust przełącznika działa prawidłowo oraz czy wraca do położenia wyłączenia po zwolnieniu. Obsługa narzędzia, w przypadku nieprawidłowego działania przełącznika, może prowadzić do utraty kontroli nad narzędziem oraz poważnych obrażeń ciała.

PRZESTROGA: Nigdy nie dotykać włącznika palcem podczas przenoszenia. Narzędzie może zostać przypadkowo uruchomione i spowodować obrażenia ciała.

Aby nie dopuścić do przypadkowego pociągnięcia spustu przełącznika, narzędzie jest wyposażone w dźwignię blokady włączenia.

Aby uruchomić narzędzie, chwycić uchwyt (dźwignia blokady włączenia jest zwalniana po chwyceniu uchwytu), a następnie pociągnąć spust przełącznika. Aby zatrzymać narzędzie, należy zwolnić spust przełącznika.

DUR190U i DUR191U

► **Rys.8:** 1. Dźwignia blokady włączenia 2. Spust przełącznika

DUR190L i DUR191L

► **Rys.9:** 1. Dźwignia blokady włączenia 2. Spust przełącznika

WSKAZÓWKA: Narzędzie zostanie automatycznie wyłączone w przypadku pozostawienia go przez jakiś czas w stanie bezczynności.

Regulacja prędkości

Istnieje możliwość wyboru prędkości poprzez naciśnięcie głównego przycisku zasilania. Każde naciśnięcie głównego przycisku zasilania powoduje zmianę poziomu prędkości.

► **Rys.10:** 1. Wskaźnik prędkości 2. Główny przycisk zasilania 3. Wskaźnik funkcji ADT

Wskaźnik prędkości	Tryb	Prędkość obrotów
	ADT	3 500 - 6 000 min ⁻¹
3	Wysoka	6 000 min ⁻¹
2		
1		
3	Średnia	5 100 min ⁻¹
2		
1		
3	Niska	3 500 min ⁻¹
2		
1		

WSKAZÓWKA: Po ustawieniu funkcji ADT (automatycznej regulacji momentu obrotowego) wskaźnik ADT włączy się, a narzędzie będzie pracowało z prędkością obrotową i momentem obrotowym, które są optymalne dla stanu koszonej trawy.

Przycisk obrotów wstecznych do usuwania zanieczyszczeń

⚠️ OSTRZEŻENIE: Przed usunięciem zaplątanych chwastów lub pozostałości, których nie można usunąć za pomocą obrotów wstecznych, należy wyłączyć narzędzie i wyjąć akumulator. Jeśli narzędzie nie zostanie wyłączone oraz nie zostanie wyjęty akumulator, może to spowodować poważne obrażenia ciała w wyniku przypadkowego uruchomienia.

Narzędzie jest wyposażone w przycisk obrotów wstecznych umożliwiający zmianę kierunku obrotów. Przycisk ten służy wyłącznie do usuwania chwastów i innych pozostałości zaplątanych w narzędziu.

Aby zmienić kierunek obrotów, należy nacisnąć przycisk obrotów wstecznych i pociągnąć spust przełącznika, gdy narzędzie tnące jest zatrzymane, jednocześnie naciskając dźwignię blokady. Wskaźniki prędkości oraz wskaźnik funkcji ADT zaczną migać, a w momencie pociągnięcia spustu przełącznika narzędzie tnące zacznie się obracać w przeciwnym kierunku.

Aby powrócić do normalnego kierunku obrotów, należy zwolnić spust i poczekać aż narzędzie tnące zatrzyma się.

► **Rys.11:** 1. Wskaźnik prędkości 2. Wskaźnik funkcji ADT 3. Przycisk obrotów wstecznych

WSKAZÓWKA: W trybie obrotów wstecznych narzędzie będzie działało tylko przez chwilę, a następnie automatycznie się zatrzyma.

WSKAZÓWKA: Po zatrzymaniu się narzędzia i ponownym jego włączeniu jest przywracany normalny kierunek obrotów.

WSKAZÓWKA: Naciśnięcie przycisku obrotów wstecznych w momencie gdy narzędzie tnące wciąż się obraca spowoduje zatrzymanie się narzędzia i ustawienie go w tryb gotowości do pracy w kierunku wstecznym.

Hamulec elektryczny

Narzędzie jest wyposażone w hamulec elektryczny. Jeśli narzędzie często nie zatrzymuje się od razu po zwolnieniu spustu przełącznika, należy zlecić naprawę narzędzia naszemu serwisowi.

⚠️ PRZESTROGA: Układ hamulca tarczy nie zastępuje osłony. Nigdy nie używać narzędzia bez zamontowanej osłony. Nieosłonięte narzędzie tnące może spowodować poważne obrażenia ciała.

MONTAŻ

⚠️ OSTRZEŻENIE: Przed przystąpieniem do jakichkolwiek prac przy narzędziu upewnić się, że jest ono wyłączone, a akumulator został wyjęty. Jeśli narzędzie nie zostanie wyłączone oraz nie zostanie wyjęty akumulator, może to spowodować poważne obrażenia ciała w wyniku przypadkowego uruchomienia.

⚠️ OSTRZEŻENIE: Nigdy nie włączać narzędzia, jeśli nie jest ono całkowicie zmontowane. Obsługa częściowo zmontowanego narzędzia może prowadzić do poważnych obrażeń ciała w wyniku nieoczekiwanego uruchomienia.

Zamontowanie uchwytu

Tylko dla DUR190U i DUR191U

1. Nasunąć rękojeść na drążek uchwytu. Wyosiować otwór śruby w rękojeści z otworem w drążku. Dokręcić mocno śrubę.

► **Rys.12:** 1. Rękojeść 2. Wkręt 3. Uchwyt

2. Umieścić uchwyt między obejmą uchwytu a oprawą uchwytu. Ustawić uchwyt pod takim kątem, aby gwarantował komfortową pozycję roboczą, a następnie unieruchomić go śrubami imbusowymi.

► **Rys.13:** 1. Śruba imbusowa 2. Obejma uchwytu 3. Oprawa uchwytu

Montowanie zabezpieczenia

Dla DUR190L i DUR191L

Jeśli dany model jest wyposażony w zabezpieczenie, należy je zamocować do uchwytu za pomocą śruby dołączonej do zabezpieczenia.

► **Rys.14:** 1. Zabezpieczenie 2. Śruba

⚠️ PRZESTROGA: Po zamontowaniu zabezpieczenia nie należy go zdejmować. Zabezpieczenie pełni funkcję elementu bezpieczeństwa, który uniemożliwia przypadkowy kontakt z ostrzem tnącym.

Podłączanie drążka przyrządu

Tylko dla DUR191U i DUR191L

Podłączanie drążka przyrządu do jednostki napędowej.

1. Obrócić dźwignię w kierunku wskazywanym przez strzałkę, jak pokazano na rysunku.

► **Rys.15:** 1. Dźwignia

2. Wyciągnąć pokrywę złącza i włożyć drążek przyrządu, wyrównując występ na drążku (po stronie narzędzia tnącego) z wklęsłą częścią złącza.

► **Rys.16:** 1. Dźwignia blokady 2. Pokrywa złącza 3. Drążek

Upewnić się, że powierzchnia dźwigni blokady znajduje się w położeniu równoległym do drążka.

3. Obrócić dźwignię w kierunku wskazywanym przez strzałkę, jak pokazano na rysunku.

► **Rys.17:** 1. Dźwignia

Aby wyjąć drążek, obrócić dźwignię w kierunku wskazywanym przez strzałkę, jak pokazano na rysunku, i wyciągnąć drążek, naciskając dźwignię blokady.

► **Rys.18:** 1. Dźwignia 2. Dźwignia blokady 3. Drążek

Montaż osłony

⚠️ OSTRZEŻENIE: Nigdy nie używać narzędzia bez, pokazanej na rysunku, osłony zamontowanej na swoim miejscu. Niezastosowanie się do tej zasady może spowodować poważne obrażenia ciała.

⚠️ PRZESTROGA: Zachować ostrożność, aby nie zranić się o nóż docinający żyłkę nylonową.

Przymocować osłonę do zacisku za pomocą śrub.

► **Rys.19:** 1. Zacisk 2. Osłona 3. Przecinarka

Montaż narzędzia tnącego

WSKAZÓWKA: Typ narzędzi tnących dostarczonych jako wyposażenie standardowe może być różny się w zależności od kraju. W niektórych krajach narzędzie tnące nie jest dołączone do narzędzia.

WSKAZÓWKA: Aby ułatwić wymianę narzędzia tnącego, odwrócić narzędzie do góry nogami.

Nóż tnący

▲PRZESTROGA: Podczas obsługi noża tnącego zawsze używać rękawic i zamocować na nożu pokrywę.

▲PRZESTROGA: Nóż tnący musi być dobrze naostrzony i wolny od pęknięć i wyszczerbień. Jeśli podczas pracy nóż tnący uderzy o kamień, należy niezwłocznie zatrzymać narzędzie i skontrolować nóż.

▲PRZESTROGA: Zawsze należy używać ostrza przecinarki o średnicy wskazanej w danych technicznych.

- **Rys.20:** 1. Nakrętka 2. Nasadka 3. Podkładka dociskowa 4. Nóż tnący 5. Wrzeciono 6. Osłona 7. Przycisk blokady wrzeciona

1. Ostrze przecinarki umieścić na osłonie, tak aby strzałki na ostrzu przecinarki i zabezpieczeniu wskazywały ten sam kierunek.

► **Rys.21:** 1. Strzałka

2. Umieścić podkładkę dociskową i nasadkę na ostrzu przecinarki.

3. Przytrzymując naciśnięty przycisk blokady wrzeciona, mocno dokręcić nakrętkę za pomocą klucza nasadowego.

► **Rys.22:** 1. Przycisk blokady wrzeciona 2. Klucz nasadowy 3. Luzowanie 4. Dokręcanie

Aby wymontować ostrze przecinarki, należy poluzować nakrętkę, przytrzymując jednocześnie przycisk blokady wrzeciona.

Żyłkowa głowica tnąca

UWAGA: Należy stosować oryginalne żyłkowe głowice tnące firmy Makita.

Przytrzymując naciśnięty przycisk blokady wrzeciona umieścić żyłkową głowicę tnącą we wrzecionie i mocno dokręcić ją ręcznie.

► **Rys.23:** 1. Żyłkowa głowica tnąca 2. Wrzeciono 3. Przycisk blokady wrzeciona 4. Luzowanie 5. Dokręcanie

Aby wymontować żyłkową głowicę tnącą, należy ją poluzować, przytrzymując jednocześnie przycisk blokady wrzeciona.

Nóż z tworzywa sztucznego

UWAGA: Należy stosować oryginalne noże z tworzywa sztucznego firmy Makita.

Przytrzymując naciśnięty przycisk blokady wrzeciona umieścić nóż z tworzywa sztucznego we wrzecionie i mocno dokręcić go ręcznie.

► **Rys.24:** 1. Nóż z tworzywa sztucznego 2. Wrzeciono 3. Przycisk blokady wrzeciona 4. Odkręcanie 5. Dokręcanie

Aby wymontować nóż z tworzywa sztucznego, należy go poluzować, przytrzymując jednocześnie przycisk blokady wrzeciona.

WSKAZÓWKA: Aby zamontować/wymontować narzędzie tnące, można użyć dołączonego klucza imbusowego. Wsunąć klucz imbusowy w otwór w sposób pokazany na rysunku, aby zablokować wrzeciono.

► **Rys.25:** 1. Klucz imbusowy 2. Otwór

▲PRZESTROGA: Aby zamontować/wymontować narzędzie tnące, zawsze należy używać dołączonych kluczy.

▲PRZESTROGA: Po zamontowaniu narzędzia tnącego należy pamiętać, aby wyjąć klucz imbusowy włożony do głowicy narzędzia.

Regulacja położenia uchwytu i wieszaka

Wyregulować położenie uchwytu i wieszaka, aby zapewnić wygodną obsługę narzędzia.

Dla DUR190U i DUR191U

Wyregulować położenie uchwytu/wieszaka, tak aby narzędzie znalazło się w zakresie przedstawionym poniżej.

► **Rys.26**

1	Położenie wieszaka względem podłoża
2	Położenie narzędzia tnącego względem podłoża
3	Odległość w poziomie pomiędzy wieszakiem i nieosłoniętą częścią narzędzia tnącego

Poluzować śruby imbusowe u dołu oprawy uchwytu. Przesunąć uchwyt w wygodne położenie robocze i dokręcić śruby.

► **Rys.27:** 1. Oprawa uchwytu 2. Śruba imbusowa 3. Uchwyt

Poluzować śruby imbusowe na wieszaku. Przesunąć wieszak w wygodne położenie robocze i dokręcić śruby.

► **Rys.28:** 1. Śruba imbusowa 2. Wieszak

Dla DUR190L i DUR191L

Poluzować śruby imbusowe na uchwycie. Przesunąć uchwyt w wygodne położenie robocze i dokręcić śruby.

► **Rys.29:** 1. Śruba imbusowa 2. Uchwyt

Poluzować śrubę imbusową na wieszaku. Przesunąć wieszak w wygodne położenie robocze i dokręcić śrubę.

► **Rys.30:** 1. Śruba imbusowa 2. Wieszak

Miejsce na klucz imbusowy

Klucz imbusowy, gdy nie jest używany, należy przechowywać w sposób pokazany na rysunku, aby się nie zgubił.

► **Rys.31:** 1. Klucz imbusowy

Tylko dla DUR190L i DUR191L

► **Rys.32:** 1. Uchwyt 2. Klucz imbusowy

OBSŁUGA

Zakładanie szelek nośnych

▲PRZESTROGA: Zawsze używać szelek nośnych dołączonych do narzędzia. Przed rozpoczęciem pracy wyregulować szelki nośne odpowiednio do rozmiaru użytkownika, aby uniknąć zmęczenia.

▲PRZESTROGA: Przed rozpoczęciem pracy upewnić się, czy szelki nośne są prawidłowo zamocowane do wieszaka w narzędziu.

Podłączyć hak szelek nośnych do wieszaka i założyć szelki nośne. Upewnić się, że narzędzie jest utrzymywane bezpiecznie przez szelki nośne.

DUR190U i DUR191U

► Rys.33: 1. Hak 2. Wieszak

DUR190L i DUR191L

► Rys.34: 1. Hak 2. Wieszak

Odlączanie

Szelki nośne są wyposażone w elementy umożliwiające ich szybkie zwolnienie.

DUR190U i DUR191U

► Rys.35: 1. Pasek

Wyciągnąć pasek i odpiąć narzędzie od szelek nośnych.

DUR190L i DUR191L

► Rys.36: 1. Klamra

Aby odpiąć narzędzie od szelek nośnych, należy po prostu ścisnąć klamrę z obu stron.

Prawidłowa obsługa narzędzia

▲OSTRZEŻENIE: Zawsze trzymać narzędzie po prawej stronie ciała. Prawidłowe trzymanie narzędzia zapewnia maksymalną kontrolę i zmniejsza ryzyko poważnych obrażeń ciała spowodowanych odrzutem.

▲OSTRZEŻENIE: Należy zachować najwyższą ostrożność, aby nie utracić kontroli nad narzędziem. Nie dopuścić, aby narzędzie odchyliło się w stronę użytkownika lub jakiegokolwiek innej osoby przebywającej w pobliżu. Brak kontroli nad narzędziem może spowodować poważne obrażenia operatora lub osób postronnych.

▲OSTRZEŻENIE: Aby uniknąć wypadków, zachować odległość co najmniej 15 m (50 stóp) między operatorami, gdy co najmniej dwóch operatorów pracuje na tym samym obszarze. Dodatkowo jedna osoba powinna obserwować odległość między operatorami. W przypadku wejścia innej osoby lub zwierzęcia na obszar roboczy natychmiast przerwać pracę.

▲PRZESTROGA: Jeśli podczas pracy narzędzie tnące przypadkowo uderzy o kamień lub twardy przedmiot, należy zatrzymać narzędzie i sprawdzić je pod kątem uszkodzeń. W przypadku uszkodzenia narzędzia tnącego należy je niezwłocznie wymienić. Używanie uszkodzonego narzędzia tnącego może doprowadzić do poważnych obrażeń ciała.

▲PRZESTROGA: Podczas wykaszania trawy zdjąć osłonę ostrza.

Prawidłowe ustawienie i właściwa obsługa zapewniają optymalną kontrolę i ograniczają ryzyko obrażeń spowodowanych przez odrzut.

DUR190U i DUR191U

► Rys.37

DUR190L i DUR191L

► Rys.38

W przypadku użycia żyłkowej głowicy tnącej (z mechanizmem wysuwania)

Żyłkowa głowica tnąca do dwużyłkowa głowica wykaszarki wyposażona w mechanizm wysuwający żyłkę po uderzeniu o podłoże. Aby wysunąć żyłkę nylonową, należy uderzyć głowicą tnącą o podłoże, gdy narzędzie pracuje na niskich obrotach.

► Rys.39: 1. Najefektywniejszy obszar koszenia

UWAGA: Mechanizm wysuwania żyłki nie będzie działał prawidłowo, jeśli żyłkowa głowica tnąca nie obraca się.

WSKAZÓWKI: Jeśli żyłka nylonowa nie wysuwa się po uderzeniu głowicą o podłoże, należy nawinąć/założyć nową żyłkę nylonową, postępując według procedur opisanych w części dotyczącej konserwacji.

KONSERWACJA

▲OSTRZEŻENIE: Przed przystąpieniem do przeglądu narzędzia lub jego konserwacji upewnić się, że jest ono wyłączone, a akumulator wyjęty. Jeśli narzędzie nie zostanie wyłączone oraz nie zostanie wyjęty akumulator, może to spowodować poważne obrażenia ciała w wyniku przypadkowego uruchomienia.

UWAGA: Nie stosować benzyny, rozpuszczalników, alkoholu itp. środków. Mogą one powodować odbarwienia, odkształcenia lub pęknięcia.

W celu zachowania odpowiedniego poziomu BEZPIECZEŃSTWA i NIEZAWODNOŚCI produktu wszelkie naprawy i różnego rodzaju prace konserwacyjne lub regulacje powinny być przeprowadzane przez autoryzowany lub fabryczny punkt serwisowy narzędzi Makita, zawsze z użyciem oryginalnych części zamiennych Makita.

Wymiana nylonowej żyłki

▲OSTRZEŻENIE: Używać tylko nylonowej żyłki o średnicy określonej w niniejszej instrukcji obsługi. Nigdy nie stosować cięższych żyłek, metalowych drutów, linek ani tym podobnych elementów. W przeciwnym razie może dojść do uszkodzenia narzędzia i poważnych obrażeń ciała.

▲OSTRZEŻENIE: Podczas wymiany żyłki nylonowej zawsze należy wymontować z narzędzia żyłkową głowicę tnącą.

▲OSTRZEŻENIE: Upewnić się, że pokrywa żyłkowej głowicy tnącej jest prawidłowo zamocowana do obudowy, zgodnie z opisem w tej instrukcji. Nieprawidłowe zamocowanie pokrywy może spowodować wyrzucenie żyłkowej głowicy tnącej w powietrze i przyczynić się do powstania poważnych obrażeń ciała.

Jeśli żyłka nylonowa przestanie się odwijać, należy ją wymienić. Sposób wymiany żyłki nylonowej różni się w zależności od typu żyłkowej głowicy tnącej.

95-M10L

► Rys.40

Wymiana noża z tworzywa sztucznego

Noż z tworzywa sztucznego należy wymienić, jeśli uległ on zużyciu lub uszkodzeniu.

► Rys.41

Podczas zamontowywania noża z tworzywa sztucznego wyróżnić kierunek strzałki na nożu ze strzałką na osłonie.

► Rys.42: 1. Strzałka na osłonie 2. Strzałka na nożu

ROZWIĄZYWANIE PROBLEMÓW

Przed oddaniem urządzenia do naprawy należy najpierw przeprowadzić samodzielną kontrolę. W razie napotkania problemu, który nie został wyjaśniony w instrukcji, nie należy próbować demontować urządzenia we własnym zakresie. Należy natomiast zlecić naprawę w autoryzowanym punkcie serwisowym firmy Makita; zawsze z użyciem oryginalnych części zamiennych Makita.

Nieprawidłowe działanie	Prawdopodobna przyczyna (usterka)	Rozwiązanie
Silnik nie działa.	Nie włożono akumulatora.	Włóż akumulator.
	Problem z akumulatorem (za niskie napięcie)	Naładować akumulator. Jeżeli ładowanie akumulatora nie przynosi skutku, należy go wymienić.
	Układ napędowy nie działa prawidłowo.	Zlecić naprawę w lokalnym autoryzowanym punkcie serwisowym.
Silnik wyłącza się po krótkim czasie.	Niski poziom naładowania akumulatora.	Naładować akumulator. Jeżeli ładowanie akumulatora nie przynosi skutku, należy go wymienić.
	Przegrzanie.	Przerwać pracę, aby narzędzie ostygło.
Nie można osiągnąć maksymalnych obrotów.	Akumulator został włożony nieprawidłowo.	Włóż akumulator zgodnie z opisem w niniejszej instrukcji.
	Spada moc akumulatora.	Naładować akumulator. Jeżeli ładowanie akumulatora nie przynosi skutku, należy go wymienić.
	Układ napędowy nie działa prawidłowo.	Zlecić naprawę w lokalnym autoryzowanym punkcie serwisowym.
Narzędzie tnące nie obraca się: ⇒ Natychmiast wyłączyć narzędzie!	Przeszkoda, np. gałąź, zablokowała się pomiędzy osłoną i narzędziem tnącym.	Usunąć przeszkodę.
	Układ napędowy nie działa prawidłowo.	Zlecić naprawę w lokalnym autoryzowanym punkcie serwisowym.
Nietypowe drgania: ⇒ Natychmiast wyłączyć narzędzie!	Urwał się jeden z końców żyłki nylonowej.	Uderzyć żyłkową głowicą tnącą o podłoże, gdy się obraca, aby wysunąć żyłkę.
	Układ napędowy nie działa prawidłowo.	Zlecić naprawę w lokalnym autoryzowanym punkcie serwisowym.
Nie można zatrzymać głowicy tnącej ani silnika: ⇒ Natychmiast wyjąć akumulator!	Usterka elektryczna lub elektroniczna.	Wyjąć akumulator i zlecić naprawę w lokalnym autoryzowanym punkcie serwisowym.

AKCESORIA OPCJONALNE

⚠ OSTRZEŻENIE: Należy używać wyłącznie zalecanych akcesoriów i przystawek opisanych w niniejszym podręczniku. Stosowanie innych akcesoriów lub przystawek może być przyczyną poważnych obrażeń ciała.

⚠ PRZESTROGA: Zaleca się stosowanie wymienionych akcesoriów i przystawek razem z narzędziem Makita opisanym w niniejszej instrukcji. Stosowanie innych akcesoriów lub przystawek może być przyczyną obrażeń ciała. Akcesoria lub przystawki należy wykorzystywać tylko zgodnie z ich przeznaczeniem.

W razie potrzeby wszelkiej pomocy i szczegółowych informacji na temat niniejszych akcesoriów udzieli Państwu lokalne punkty serwisowe Makita.

- Noż tnący
- Żyłkowa głowica tnąca
- Żyłka nylonowa (żyłka tnąca)
- Noż z tworzywa sztucznego
- Oryginalny akumulator i ładowarka firmy Makita

WSKAZÓWKA: Niektóre pozycje znajdujące się na liście mogą być dołączone do pakietu narzędziowego jako akcesoria standardowe. Mogą to być różne pozycje, w zależności od kraju.

RÉSZLETES LEÍRÁS

Típus:	DUR190U	DUR190L	DUR191U	DUR191L
Fogantyú típusa	Kormányoszár	Hurkos fogantyú	Kormányoszár	Hurkos fogantyú
Üresjárat fordulatszám	3: 6 000 min ⁻¹ 2: 5 100 min ⁻¹ 1: 3 500 min ⁻¹			
Teljes hossz (vágószerszám nélkül)	1 775 mm			
A nejlonszál átmérője	2,0 - 2,4 mm			
Alkalmazható vágószerszám és vágási átmérő	Háromfogú kés (cikkszám 191J34-5)	230 mm		
	Négyfogú kés (cikkszám 729025-2)	230 mm		
	Nejlonszál vágófej (cikkszám 126674-0)	300 mm		
	Műanyag kés (cikkszám 126642-3)	230 mm		
Névleges feszültség	18 V, egyenáram			
Tiszta tömeg	3,1 - 3,4 kg	2,9 - 3,2 kg	3,4 - 3,7 kg	3,2 - 3,5 kg

- Folyamatos kutató- és fejlesztőprogramunk eredményeként az itt felsorolt tulajdonságok figyelmeztetés nélkül megváltozhatnak.
- A tulajdonságok országról országra különbözhetnek.
- A súly a felszerelt tartozékoktól függően változhat, az akkumulátort is beleértve. Az EPTA 01/2014 eljárás szerint meghatározott legnehezebb, illetve legkönnyebb kombináció a táblázatban látható.

Alkalmazható akkumulátorok és töltők

Akkumulátor	BL1815N / BL1820 / BL1820B / BL1830 / BL1830B / BL1840 / BL1840B / BL1850 / BL1850B / BL1860B
Töltő	DC18RC / DC18RD / DC18RE / DC18SD / DC18SE / DC18SF / DC18SH

- Lakóhelyétől függően előfordulhat, hogy a fent felsorolt akkumulátorok és töltők nem érhetők el.

▲ FIGYELMEZTETÉS: Csak a fentiekben felsorolt akkumulátorokat és töltőket használja. Bármilyen más akkumulátor vagy töltő használata sérüléseket és/vagy tüzet okozhat.

Ajánlott akkumulátoradapter

Akkumulátor adapter	PDC01
---------------------	-------

- Lakóhelyétől függően előfordulhat, hogy a fent felsorolt akkumulátoradapter(ek) nem érhetők el.
- Akkumulátoradapter használata előtt olvassa el az akkumulátoradapteren található utasításokat és figyelmeztető jelzéseket.

Típus: DUR190U

Vágószerszám	Hangnyomásszint (L_{pA}) dB(A)		Hangteljesítményszint (L_{WA}) dB(A)		Hatályos szabvány
	L_{pA} dB(A)	Bizonyta- lanság (K) dB(A)	L_{WA} dB(A)	Bizonyta- lanság (K) dB(A)	
Négyfogú kés	77,0	3,9	91,6	2,4	ISO22868 (ISO11806-1)
Nejlonszálás vágófej	74,0	1,9	87,1	0,9	ISO22868 (ISO11806-1)/ EN50636-2-91
Műanyag kés	75,6	1,3	85,9	2,1	ISO22868 (ISO11806-1)/ EN50636-2-91

Típus: DUR190L

Vágószerszám	Hangnyomásszint (L_{pA}) dB(A)		Hangteljesítményszint (L_{WA}) dB(A)		Hatályos szabvány
	L_{pA} dB(A)	Bizonyta- lanság (K) dB(A)	L_{WA} dB(A)	Bizonyta- lanság (K) dB(A)	
Négyfogú kés	77,0	3,9	91,6	2,4	ISO22868 (ISO11806-1)
Nejlonszálás vágófej	74,0	1,9	87,1	0,9	ISO22868 (ISO11806-1)/ EN50636-2-91
Műanyag kés	75,6	1,3	85,9	2,1	ISO22868 (ISO11806-1)/ EN50636-2-91

Típus: DUR191U

Vágószerszám	Hangnyomásszint (L_{pA}) dB(A)		Hangteljesítményszint (L_{WA}) dB(A)		Hatályos szabvány
	L_{pA} dB(A)	Bizonyta- lanság (K) dB(A)	L_{WA} dB(A)	Bizonyta- lanság (K) dB(A)	
Négyfogú kés	77,0	3,9	91,6	2,4	ISO22868 (ISO11806-1)
Nejlonszálás vágófej	74,0	1,9	87,1	0,9	ISO22868 (ISO11806-1)/ EN50636-2-91
Műanyag kés	75,6	1,3	85,9	2,1	ISO22868 (ISO11806-1)/ EN50636-2-91

Típus: DUR191L

Vágószerszám	Hangnyomásszint (L_{pA}) dB(A)		Hangteljesítményszint (L_{WA}) dB(A)		Hatályos szabvány
	L_{pA} dB(A)	Bizonyta- lanság (K) dB(A)	L_{WA} dB(A)	Bizonyta- lanság (K) dB(A)	
Négyfogú kés	77,0	3,9	91,6	2,4	ISO22868 (ISO11806-1)
Nejlonszálás vágófej	74,0	1,9	87,1	0,9	ISO22868 (ISO11806-1)/ EN50636-2-91
Műanyag kés	75,6	1,3	85,9	2,1	ISO22868 (ISO11806-1)/ EN50636-2-91

- Ha a hangnyomásszint fenti névleges értéke 80 dB (A) vagy kevesebb, használat közben ez meghaladhatja a 80 dB (A) értéket. Viseljen fülvédőt.

MEGJEGYZÉS: A zajkibocsátás értéke a szabványos vizsgálati eljárásnak megfelelően lett mérve, és segítségével az elektromos kéziszerszámok összehasonlíthatók egymással.

MEGJEGYZÉS: A zajkibocsátás értékének segítségével előzetesen megbecsülhető a rezgésnek való kitétség mértéke.

FIGYELMEZTETÉS: Viseljen fülvédőt!

FIGYELMEZTETÉS: A szerszám zajkibocsátása egy adott alkalmazásnál eltérhet a megadott értéktől a használat módjától, különösen a feldolgozott munkadarab fajtájától függően.

FIGYELMEZTETÉS: Határozza meg a kezelő védelmét szolgáló munkavédelmi lépéseket, melyek az adott munkafeltételek melletti vibrációs hatás becsült mértékén alapulnak (figyelembe véve a munkaciklus elemeit, mint például a gép leállításának és üresjáratának mennyiségét az elindítások száma mellett).

Vibráció

Típus: DUR190U

Vágószerszám	Bal kéz		Jobb kéz		Hatályos szabvány
	$a_{h,w}$ (m/s ²)	Bizonytalanság (K) (m/s ²)	$a_{h,w}$ (m/s ²)	Bizonytalanság (K) (m/s ²)	
Négyfogú kés	≤ 2,5	1,5	≤ 2,5	1,5	ISO22867 (ISO11806-1)
Nejlonszálas vágófej	≤ 2,5	1,5	≤ 2,5	1,5	ISO22867 (ISO11806-1)
Műanyag kés	≤ 2,5	1,5	≤ 2,5	1,5	ISO22867 (ISO11806-1)

Típus: DUR190L

Vágószerszám	Bal kéz		Jobb kéz		Hatályos szabvány
	$a_{h,w}$ (m/s ²)	Bizonytalanság (K) (m/s ²)	$a_{h,w}$ (m/s ²)	Bizonytalanság (K) (m/s ²)	
Négyfogú kés	≤ 2,5	1,5	≤ 2,5	1,5	ISO22867 (ISO11806-1)
Nejlonszálas vágófej	≤ 2,5	1,5	≤ 2,5	1,5	ISO22867 (ISO11806-1)
Műanyag kés	≤ 2,5	1,5	≤ 2,5	1,5	ISO22867 (ISO11806-1)

Típus: DUR191U

Vágószerszám	Bal kéz		Jobb kéz		Hatályos szabvány
	$a_{h,w}$ (m/s ²)	Bizonytalanság (K) (m/s ²)	$a_{h,w}$ (m/s ²)	Bizonytalanság (K) (m/s ²)	
Négyfogú kés	≤ 2,5	1,5	≤ 2,5	1,5	ISO22867 (ISO11806-1)
Nejlonszálas vágófej	≤ 2,5	1,5	≤ 2,5	1,5	ISO22867 (ISO11806-1)
Műanyag kés	≤ 2,5	1,5	≤ 2,5	1,5	ISO22867 (ISO11806-1)

Típus: DUR191L

Vágószerszám	Bal kéz		Jobb kéz		Hatályos szabvány
	$a_{h,w}$ (m/s ²)	Bizonytalanság (K) (m/s ²)	$a_{h,w}$ (m/s ²)	Bizonytalanság (K) (m/s ²)	
Négyfogú kés	≤ 2,5	1,5	≤ 2,5	1,5	ISO22867 (ISO11806-1)
Nejlonszálas vágófej	≤ 2,5	1,5	≤ 2,5	1,5	ISO22867 (ISO11806-1)
Műanyag kés	≤ 2,5	1,5	≤ 2,5	1,5	ISO22867 (ISO11806-1)

MEGJEGYZÉS: A rezgés teljes értéke a szabványos vizsgálati eljárásnak megfelelően lett mérve, és segítségével az elektromos kéziszerszámok összehasonlíthatók egymással.


MEGJEGYZÉS: A rezgés teljes értékének segítségével előzetesen megbecsülhető a rezgésnek való kitétség mértéke.


▲ FIGYELMEZTETÉS: A szerszám rezgés kibocsátása egy adott alkalmazásnál eltérhet a megadott értéktől a használat módjától, különösen a feldolgozott munkadarab fajtájától függően.


▲ FIGYELMEZTETÉS: Határozza meg a kezelő védelmét szolgáló munkavédelmi lépéseket, melyek az adott munkafeltételek melletti vibrációs hatás becsült mértékén alapulnak (figyelembe véve a munkaciklus elemeit, mint például a gép leállításának és üresjáratának mennyiségét az elindítások száma mellett).


Szimbólumok

A következőkben a berendezésen használt jelképek láthatók. A szerszám használata előtt bizonyosodjon meg arról, hogy helyesen értelmezi a jelentésüket.


 Legyen különösen elővigyázatos és figyelmes.

 Olvassa el a használati utasítást.


 A közelben tartózkodók legalább 15 méter távolságra legyenek.


 Veszély: fokozottan ügyeljen a szerszám által kibocsátott tárgyakra!


 Vigyázat, visszarúg

 Viseljen sisakot, védőszemüveget és fülvédőt.

 Viseljen védőkesztyűt.

 Viseljen csúszásmentes talpú, merev cipőt/csimát. Acélbetétes lábbeli viselete javasolt.

 Óvja a készüléket eső és nedvesség hatásától.

 Csak az Európai Unió tagállamai számára. Az elektromos berendezéseket és az akkumulátorukat ne dobja a háztartási szemétkébe! Az Európai Unió használt elektromos és elektronikus berendezésekre vonatkozó irányelvei, illetve az elemekről és akkumulátorokról, valamint a hulladékkezelésről és akkumulátorokról szóló irányelv, továbbá azoknak a nemzet jogba való átültetése szerint az elhasznált elektromos berendezéseket, elemeket és akkumulátorokat külön kell gyűjteni, és környezetbarát módon kell gondoskodni újrahasznosításukról.

EK Megfelelőségi nyilatkozat

Csak európai országokra vonatkozóan

Az EK-megfelelőségi nyilatkozat az útmutató „A” mellékletében található.

BIZTONSÁGI FIGYELMEZTETÉS

A szerszámgépekre vonatkozó általános biztonsági figyelmeztetések

▲ FIGYELMEZTETÉS: Olvassa el a szerszám-géphez mellékelte összes biztonsági figyelmeztetést, utasítást, illusztrációt és a műszaki adatokat. A következőkben leírt utasítások figyelmen kívül hagyása elektromos áramütést, tüzet és/vagy súlyos sérülést eredményezhet.

Őrizzen meg minden figyelmeztetést és utasítást a későbbi tájékozódás érdekében.

A figyelmeztetésekben szereplő "szerszámgép" kifejezés az Ön hálózatról (vezetékes) vagy akkumulátorról (vezeték nélküli) működtetett szerszámgépére vonatkozik.

Fontos biztonsági utasítások a szerszámra vonatkozóan

▲ FIGYELMEZTETÉS: Olvassa el az összes biztonsági figyelmeztetést és utasítást. Ha nem tartja be a figyelmeztetéseket és utasításokat, akkor áramütés, tűz és/vagy súlyos sérülés következhet be.

Őrizzen meg minden figyelmeztetést és utasítást a későbbi tájékozódás érdekében.

Rendeltetés

1. Ez a szerszám kizárólag füvek, gyomok, bokrok, illetve aljnövényzet nyírásához használható. Nem használható egyéb célokra, például szegély vagy sövény nyírására, mivel ez sérüléshez vezethet.

Általános tudnivalók

1. A szerszámot nem használhatják csökkent fizikai, érzékelési vagy értelmi képességű személyek (a gyerekeket is beleértve), vagy akiknek nincs meg a tapasztalatuk és tudásuk ehhez. Ügyelni kell arra, hogy gyermekek ne játszhassanak a szerszámmal.

- A szerszám elindítása előtt olvassa el ezt a használati utasítást, hogy megismerje a szerszám kezelését.
- A szerszámot ne adja kölcsön olyan személynek, aki nem rendelkezik a bozótvágók és szegélynyírók használatához szükséges tapasztalattal és tudással.
- A szerszám kölcsönadása esetén ezt a használati utasítást is mindig adja át.
- A szerszámmal végzendő munkák különleges óvatosságot és figyelmet igényelnek.
- Soha ne használja a szerszámot alkohol vagy kábítószer hatása alatt, illetve ha betegnek vagy fáradtnak érzi magát.
- Soha ne alakítsa át a szerszámot.
- Tartsa be a hazájában a bozótvágók és szegélynyírók használatára vonatkozó előírásokat.

Személyi védőfelszerelések

► Ábra1

- Védősisak, védőszemüveg és védőkesztyű használatával óvja magát a repülő hulladékoktól és leeső tárgyaktól.
- A halláskárosodás elkerülése érdekében használjon hallásvédő eszközt, például fülvédőt.
- A biztonságos munkavégzés érdekében viseljen megfelelő ruházatot, például munkaoverallt és csúszásmentes talpú, merev bakancsot. Ne viseljen bő ruhát vagy ékszereket. A bő ruhák, ékszerek vagy a hosszú haj beleakadhatnak a mozgó részekbe.
- A vágókés megérintésekor viseljen védőkesztyűt. A vágókések súlyosan megvágthatják a védelem nélküli kezét.

A munkaterület biztonsága

- A szerszámot csak nappal, jó látási viszonyok mellett használja. Sötétben vagy ködös időben ne használja a szerszámot.
- Ne működtesse a szerszámot robbanásveszélyes környezetben, például gyúlékony folyadékok, gázok vagy por jelenlétében. A szerszám szikrákat képez, amelyek meggyújthatják a porokat és párákat.
- Ne használja instabil vagy csúszós felületen, illetve meredek lejtőn állva. A hideg évszakokban óvakodjon a jeges vagy havas felületektől, és ügyeljen lábai biztos megtámasztására.
- Üzemeltetés közben tartson minden személyt és állatot legalább 15 m távolságra a szerszámtól. Ha valaki közelebb jön, azonnal állítsa le a szerszámot.
- Ne működtesse a szerszámot, ha emberek – különösen gyermekek – vagy háziállatok tartózkodnak a közelben.
- Használat előtt vizsgálja át a teljes munkaterületet, hogy található-e rajta kő vagy egyéb szilárd tárgy. Ezek kilökődhetnek vagy veszélyes visszarúgást okozhatnak, és súlyos sérülést és/vagy anyagi kárt eredményezhetnek.

- ▲ FIGYELMEZTETÉS:** A termék használata során olyan vegyi anyagokat tartalmazó por képződhet, amely légzési vagy egyéb betegségeket okozhat. Ilyen vegyi anyagok találhatóak például a rovarirtó szerekben, növényvédő szerekben, trágyákban és gyomirtó szerekben. Az ilyen anyagoknak való kitettség kockázata attól függ, hogy Ön milyen gyakran végez ilyen jellegű munkát. A kitettség kockázatának csökkentése érdekében: jól szellőztetett helyen dolgozzon, a munkavégzéshez pedig használjon erre a célra jóváhagyott munkavédelmi felszereléseket, mint például olyan porvédő álarcokat, amelyeket kifejezetten a mikroszkopikus részecskék kiszűrésére fejlesztettek ki.

Az elektromos áramra és az akkumulátorra vonatkozó biztonsági tudnivalók

- Ne tegye ki a szerszámot esőnek vagy nedves körülményeknek. A szerszámba kerülő víz növeli az áramütés kockázatát.
- Ne használja a szerszámot, ha a kapcsolójával nem lehet azt ki- és bekapcsolni. Minden szerszám, amely nem vezérelhető a kapcsolójával, veszélyes, és meg kell javítani.
- Akadályozza meg a szerszám véletlenszerű elindulását. Az akkumulátor behelyezése, illetve a szerszám felemelése vagy szállítása előtt ellenőrizze, hogy a kapcsoló kikapcsolt helyzetben van. A szerszám szállítása a kapcsológombon tartott ujjal vagy a szerszám áram alá helyezése bekapcsolt kapcsoló mellett balesetekhez vezet.
- Az akkumulátor(oka)t ne dobja tűzbe. Az akkumulátor felrobbanhat. Nézzon utána, hogy a helyi törvények tartalmaznak-e az ártalmatlanításra vonatkozó különleges rendelkezéseket.
- Ne nyissa fel és ne vágja szét az akkumulátor(oka)t. A kifolyt elektrolit korrozív hatású, továbbá a szem és a bőr sérülését okozhatja. Lenyelése mérgezést okozhat.
- Ne töltsen az akkumulátort esőben vagy nedves helyen.

Üzembe helyezés

- A szerszám összeszerelése vagy beállítása előtt távolítsa el az akkumulátort.
- A vágókés kezelése előtt vegyen fel védőkesztyűt.
- Az akkumulátor behelyezése előtt mindig ellenőrizze, hogy a szerszám sértetlen-e, nincsenek-e benne meglazult csavarok vagy csavaranyák, valamint, hogy megfelelően van-e összeszerelve. Élezze meg a tompa vágókésüket. Ha a vágókés elhajlott vagy sérült, cserélje ki. Ellenőrizze, hogy minden vezérlőkar és kapcsoló erőfeszítés nélkül használható-e. Tisztítsa, majd szárítsa meg a fogantyúkat.
- Soha ne kísérelje meg bekapcsolni a szerszámot, ha sérült vagy nincs teljesen összeszerelve. Ellenkező esetben súlyosan megsérülhet.

5. A vállhevedert és a markolatot a kezelő magasságának megfelelően állítsa be.
6. Az akkumulátor behelyezésekor tartsa távol a vágószerkezetet a testétől és más tárgyaktól, ideértve a talajt is. Forogni kezdhet az indításkor, és sérülést okozhat vagy károsíthatja a szerszámot és/vagy más tulajdont.
7. A szerszám bekapcsolása előtt távolítsa el minden beállítót, kulcsot vagy késvédőt. A szerszám forgó részéhez csatlakozó bármely tartozék személyi sérülést okozhat.
8. A vágószerszámot fel kell szerelni védőburkolatokkal. Soha ne működtesse a szerszámot sérült védőburkolatokkal, illetve védőburkolatok nélkül.
9. Ellenőrizze, hogy vannak-e sérülés esetén veszélyt jelentő elektromos kábelek, vízcsővek, gázcsövek stb. a munkaterületen.
13. Soha ne érintse meg a mozgó veszélyes alkatrészeket, mielőtt azok teljesen megállnak, és az akkumulátort eltávolította.
14. Ha a vágószerkezet kövekbe vagy más kemény tárgyakba ütközik, azonnal kapcsolja ki a szerszámot. Ezután távolítsa el az akkumulátort, és vizsgálja meg a vágószerkezetet.
15. Működés közben gyakran ellenőrizze a vágószerkezetet, nehogy repedések vagy károk jelenjenek meg. Ellenőrzés előtt távolítsa el az akkumulátort, és várjon, amíg a vágószerkezet teljesen leáll. A sérült vágószerkezetet azonnal cserélje ki, még akkor is, ha csak felületi repedésekről van szó.
16. Soha ne végezzen vágást derékmagasság felett.
17. A vágási művelet megkezdése előtt várjon a szerszám bekapcsolása után, amíg a vágószerkezet állandó sebességet ér el.
18. Vágókés használata esetén mozgassa a szerszámot egyenletesen félkör alakban, jobbról balra, mintha kaszálna.
19. Kizárólag a szigetelt markolási felületeinél fogva tartsa a szerszámot, mert fennáll a veszélye, hogy a vágókés rejtett vezetékekbe ütközik. Ha a vágókés feszültség alatt lévő vezetékekkel érintkezik, a szerszám fémalkatrészei is áram alá kerülhetnek, és áramütés érheti a kezelőt.
20. Ne indítsa el a szerszámot, ha a vágószerszám eltömődik vágott fűvel.
21. Mielőtt elindítaná a szerszámot, győződjön meg róla, hogy a vágószerszám nem érinti a talajt és más akadályokat, például egy fát.
22. Munka közben a szerszámot mindig két kézzel tartsa. Használat közben soha ne tartsa a szerszámot egy kézzel.
23. Ne működtesse a szerszámot rossz időben vagy villámlás veszélye esetén.

Működtetés

1. Vészhelyzetben azonnal állítsa le a szerszámot.
2. Ha szokatlan jelenséget (pl.: zaj, vibráció) tapasztal használat közben, kapcsolja ki a szerszámot, és távolítsa el az akkumulátort. Ne használja a szerszámot a hiba okának felismeréséig és elhárításáig.
3. A vágószerkezet még tovább forog egy rövid ideig a szerszám kikapcsolása után. Ne siesen megérinteni a vágószerkezetet.
4. Használat közben használja a vállhevedert. A szerszámot tartsa erősen a jobb oldalon.
5. Ne hajtjon előre túlságosan. Mindig megfelelően szilárd helyzetben és egyensúlya megtartásával dolgozzon. A megbotlás elkerülése érdekében figyeljen a rejtett akadályokra, mint például facsonkokra, gyökerekre és árkokra.
6. Lejtőn mindig bizonyosodjon meg lába kellő megtámasztásáról.
7. Sétálva haladjon, soha ne fusson.
8. Az egyensúlyvesztés elkerülése érdekében soha ne dolgozzon létrán vagy fán állva.
9. Ha a szerszámot erős ütés éri, illetve leesik, a munka folytatása előtt ellenőrizze annak állapotát. Ellenőrizze, nem hibásodtak-e meg a vezérlők és a biztonsági eszközök. Ha bármilyen károsodást észlel vagy felmerül a károsodás gyanúja, ellenőrzésért és javításért forduljon a hivatalos márkaszervizünkhöz.
10. Tartson pihenőt, nehogy a fáradtság miatt elveszítse uralmát a szerszám felett. Javasoljuk, hogy tartson óránként 10–20 perc pihenőt.
11. Ha a szerszámot akár csak rövid időre is magára hagyja, mindig távolítsa el az akkumulátort. A behelyezett akkumulátorral magára hagyott szerszámot illetéktelen személyek is használhatják, ami súlyos balesetekhez vezethet.
12. Ha fű vagy ágak akadnak a vágószerkezet és a védőburkolat közé, mindig kapcsolja ki a szerszámot és távolítsa el az akkumulátort a tisztítás előtt. Ellenkező esetben a vágószerkezet akaratlanul forogni kezdhet, és súlyos sérülést okozhat.

Vágószerszámok

1. Ne használjon olyan vágószerszámot, amelyet nem ajánlunk.
2. Használjon a munkához megfelelő vágószerkezetet.
 - A nejlonszálas vágófejek (fűkaszafejek) és műanyag kések fű nyírására szolgálnak.
 - A vágókések gyom, magas fű, sövény, bokor, aljnövényszet, cserjék és hasonlók vágására alkalmasak.
 - Soha ne használjon más késeket, beleértve a fémrészes forgó láncokat és a cséphadárokat. Súlyos sérüléshez vezethet.
3. Csak olyan vágószerszámokat használjon, amelyek jelzett fordulatszáma megegyezik vagy nagyobb a szerszámon jelzett fordulatszámmal.
4. Mindig tartsa a kezét, arcát és ruháit a vágószerzámtól távol, amikor az forog. Ennek elmulasztása személyi sérüléseket okozhat.
5. Mindig a használt vágótartozéknak megfelelő védőburkolatot használjon.

- Vágókések használatakor mindent tegyen meg a visszarúgás elkerülésére, mégis készüljön fel arra, hogy a szerszám véletlenül visszarúghat. Lásd a Visszarúgás című fejezetet.
- Amikor nincs használatban, tegye fel a képre a késvédőt. Távolítsa el a védőt a használat megkezdése előtt.

Visszarúgás

- A visszarúgás egy hirtelen reakció a beakadt vagy kötött vágókésre. Ha ez megtörténik, a szerszámot nagy erővel dobja oldalra vagy a kezelő felé, és súlyos sérülést okozhat.
- Visszarúgásra elsősorban akkor kell számítani, ha a 12 és 2 órának megfelelő pontok közötti késszakaszt használja 3 cm vagy annál nagyobb vastagságú szilárd anyagok, bozót vagy fa vágásához.

▶ Ábra2

- A visszarúgás megelőzése:
 - Használja a 8 és 11 óra közötti szakaszt.
 - Soha ne használja a 12 és 2 óra közötti szakaszt.
 - Soha ne használja a 11 és 12 óra, valamint a 2 és 5 óra közötti szakaszt, kivéve ha a kezelő megfelelően képzett és tapasztalt, és a saját felelősségére teszi azt.
 - Sose használja a vágókéseket szilárd anyagok, például kerítések, falak, fatörzsek és kövek közelében.
 - Sose használja a vágókéseket függőlegesen olyan műveletekhez, mint például szegélynyírás vagy sövénynyírás.

▶ Ábra3

Vibráció

- Elégtelen vérkeringésű emberek esetén, akik túlzott vibrációnak vannak kitéve, sérülhetnek a erekere vagy az idegrendszer. A vibráció a következő tünetek megjelenését okozhatja az ujjakban, a kézen vagy a csuklón: „Álmosság” (zsebadság), bizsergő érzés, fájdalom, szúró fájdalomérzet, a bőr vagy annak színének elváltozása. Ha ezen tünetek bármelyikét észleli önmagán, forduljon orvoshoz!
- A „fehér ujj betegség” kockázatának csökkentése érdekében tartsa melegen kezeit a működés alatt, és mindig végezze el a szerszám és tartozékainak karbantartását.

Szállítás

- A szerszám szállítása előtt mindig kapcsolja azt ki, és távolítsa el az akkumulátort. Szerelje fel a vágókésre a védőt.
- A szerszámot vízszintes helyzetben, tengelyénél fogva szállítsa.
- Ha a szerszámot járműben szállítja, szilárdan rögzítse, hogy menet közben ne boruljon fel. Ellenkező esetben a szerszám és az egyéb csomagok megsérülhetnek.

Karbantartás

- A szerszámot hivatalos szervizközpontunkban szervizeltesse, és mindig kizárólag eredeti cserealkatrészeket használjon. A nem megfelelő javítás és karbantartás rövidítheti a szerszám élettartamát, és növeli a balesetek bekövetkezésének kockázatát.
- Bármiféle karbantartási vagy javítási munka, illetve a szerszám tisztítása előtt mindig kapcsolja ki, és távolítsa el az akkumulátort.
- A vágókés kezelésekor mindig viseljen védőkesztyűt.
- A szerszámról mindig takarítsa le a port és a szennyeződést. Erre a célra soha ne használjon gázolajat, benzint, hígítót, alkoholt vagy hasonló anyagokat. Ezek a műanyag alkatrészek elszíneződését, alakvesztését vagy repedését okozhatják.
- Minden használat után szorítsa meg az összes csavart és anyát.
- Soha ne próbálkozzon olyan karbantartási vagy javítási művelettel, amelyet ez a használati utasítás nem tartalmaz. Az ilyen műveletek elvégzéséért forduljon a hivatalos márkaszervizünkhöz.
- Csak eredeti pótalkatrészeket és tartozékokat használjon. Más szállítótól származó alkatrészek és tartozékok használata a szerszám meghibásodását, anyagi kárt és/vagy súlyos sérülést eredményezhet.
- A szerszám rendszeres időközönként történő átvizsgálása és karbantartása érdekében forduljon a hivatalos márkaszervizünkhöz.
- A szerszámot mindig tartsa jó üzemi állapotban. A rossz karbantartás gyengébb teljesítményt eredményezhet, és lerövidítheti a szerszám élettartamát.

Tárolás

- A szerszám tárolása előtt végezzen átfogó tisztítást és karbantartást. Távolítsa el az akkumulátort. Szerelje fel a vágókésre a védőt.
- A szerszámot száraz helyen, magasan vagy elzártan tárolja, hogy gyerekek ne férjenek hozzá.
- A szerszámot ne tárolja falnak vagy bármi másnak döntve. Ebből a helyzetből váratlanul eldőlhethet, és sérülést okozhat.

Elsősegély

- Az elsősegélydoboznak mindig elérhető közelében kell lennie. Az elsősegélydobozból kivett eszközöket azonnal pótolni kell.
- Ha segítséget kell hívni, az alábbiakat közölje:
 - A baleset helyszíne
 - A bekövetkezett esemény
 - A sérült személyek száma
 - A sérülés természete
 - Az Ön neve

Fontos biztonsági utasítások az akkumulátorra vonatkozóan

- Az akkumulátor használata előtt tanulmányozza át az akkumulátortöltőt (1), az akkumulátoron (2) és az akkumulátorral működtetett terméken (3) olvasható összes utasítást és figyelmeztető jelzést.**
- Ne szerelje szét az akkumulátort.**
- Ha a működési idő nagyon lerövidült, azonnal hagyja abba a használatot. Ez a túlmelegedés, esetleges égések és akár robbanás veszélyével is járhat.**
- Ha elektrolit kerül a szemébe, mossa ki azt tiszta vízzel és azonnal kérjen orvosi segítséget. Ez a látásának elvesztését okozhatja.**
- Ne zárja rövidre az akkumulátort:**
 - Ne érjen az érintkezőkhöz elektromosan vezető anyagokkal.**
 - Ne tárolja az akkumulátort más fémtárgyakkal, mint pl. szegekkel, érmékkel, stb. egy helyen.**
 - Ne tegye ki az akkumulátort víznek vagy esőnek.**

Az akkumulátor rövidzárlata nagy áramerősséget, túlmelegedést, égéseket, sőt akár meghibásodást is okozhat.

- Ne tárolja a szerszámot vagy az akkumulátort olyan helyen, ahol a hőmérséklet elérheti vagy meghaladhatja az 50 °C-ot (122 °F).**
- Ne égesse el az akkumulátort még akkor sem, ha az komolyan megsérült vagy teljesen felrobbanhat.**
- Vigyázzon, ne hagyja leejtve vagy megüsse az akkumulátort.**
- Ne használjon sérült akkumulátort.**
- A készülékben található lítium-ion akkumulátorokra a veszélyes árukkal kapcsolatos előírások vonatkoznak.**

A termék pl. harmadik felek, fuvarozó cégek stb. által történő szállítása esetén minden esetben tartsa szem előtt a csomagoláson és a címkén található speciális követelményeket.

A termék szállításra történő felkészítése esetén vegye fel a kapcsolatot egy veszélyes anyagokkal foglalkozó szakemberrel. Kérjük, hogy az esetlegesen szigorúbb nemzeti előírásokat is vegye figyelembe.

Ragassza le a kiálló érintkezőket, illetve oly módon csomagolja be az akkumulátort, hogy az ne tudjon elmozdulni a csomagolásban.

- Az akkumulátor ártalmatlanításakor vegye ki azt a szerszámból, és ártalmatlanítsa egy biztonságos helyen. Az akkumulátor ártalmatlanításakor tartsa be a helyi előírásokat.**
- Az akkumulátorokat csak a Makita által megjelölt termékekhez használja.** Ha az akkumulátorokat azokkal nem kompatibilis termékekbe helyezi, az tűzhoz, túlmelegedéshez, robbanás-hoz vagy elektrolitszivárgáshoz vezethet.
- Ha a szerszám hosszabb ideig nincs használatban, az akkumulátort ki kell venni a szerszámból.**

ŐRIZZE MEG EZEKET AZ UTASÍTÁSOKAT.

⚠ VIGYÁZAT: Csak eredeti Makita akkumulátorokat használjon. A nem eredeti Makita akkumulátorok vagy módosított akkumulátorok használata esetén az akkumulátor felrobbanhat, ami tüzet, személyi sérülést és anyagi kárt okozhat. A Makita szerszámszámra és időtöre vonatkozó Makita garanciát is érvénytelenítheti.

Tippek az akkumulátor maximális élettartamának eléréséhez

- Töltse fel az akkumulátort, mielőtt teljesen lemerülne. Állítsa le a gépet, és töltsé fel az akkumulátort, ha a gép erejének csökkenését észleli.**
- Soha ne töltsé újra a teljesen feltöltött akkumulátort. A túltöltés csökkenti az akkumulátor élettartamát.**
- Töltsé az akkumulátort szobahőmérsékleten, 10 °C - 40 °C (50 °F - 104 °F) között. Töltés előtt hagyja lehűlni a fölforrósodott akkumulátort.**
- Töltsé fel az akkumulátort, ha hosszabb ideje (több mint hat hónapja) nem használta azt.**

ALKATRÉSZEK LEÍRÁSA

▶ Ábra4

1	Sebességjelző	2	ADT kijelző (Automatikus nyomaték-meghajtó technológia = ADT, Automatic Torque Drive Technology)	3	Figyelmeztető lámpa	4	Főkapcsoló gomb
5	Írányváltó gomb	6	Akkumulátor	7	Reteszkilódó kar	8	Kapcsológomb
9	Akasztókapocs	10	Fogantyú	11	Segédmarkolat (országfüggő)	12	Védőburkolat
13	Reteselőkár (csak DUR191U és DUR191L)	14	Csatlakozófedél (csak DUR191U és DUR191L)	15	Kupak (csak DUR191U és DUR191L)	16	Vállheveder

A MŰKÖDÉS LEÍRÁSA

▲ FIGYELMEZTETÉS: Mielőtt bármiféle beállítást vagy ellenőrzést végezne a gépen, minden esetben ellenőrizze, hogy a szerszám ki van-e kapcsolva és az akkumulátor eltávolításra került-e. A kikapcsolás és az akkumulátor előzetes eltávolításának elmulasztása a gép véletlen beindulását eredményezheti, ami súlyos személyi sérüléseket okozhat.

Az akkumulátor behelyezése és eltávolítása

▲ VIGYÁZAT: Mindig kapcsolja ki az eszközt, mielőtt behelyezi vagy eltávolítja az akkumulátort.

▲ VIGYÁZAT: Az akkumulátor behelyezésekor vagy eltávolításakor erősen fogja meg a szerszámot és az akkumulátort. Ha nem fogja erősen a szerszámot és az akkumulátort, azok kicsúszhatnak a kezei közül, ami a szerszám és az akkumulátor károsodásához, de akár személyi sérüléshez is vezethet.

► **Ábra5:** 1. Piros jel 2. Gomb 3. Akkumulátor

Az akkumulátoregység kivételéhez nyomja be az akkumulátoregység elején található gombot, és húzza le a gépről.

Az akkumulátor beszereléséhez illesse az akkumulátor nyelvét a burkolaton található vágatba és csúsztassa a helyére. Egészen addig tolja be, amíg az akkumulátor egy kis kattánással a helyére nem ugrik. Ha látható a piros jel a gomb felső oldalán, akkor a gomb nem kattan be teljesen.

▲ VIGYÁZAT: Mindig tolja be teljesen az akkumulátort, amíg a piros jel el nem tűnik. Ha ez nem történik meg, akkor az akkumulátor kieshet a szerszámból, és Önnnek vagy a környezetében másnak sérülést okozhat.

▲ VIGYÁZAT: Ne erőltesse az akkumulátort behelyezésre. Ha az akkumulátor nem csúszik be könnyedén, akkor nem megfelelően lett behelyezve.

Szerszám-/akkumulátorvédő rendszer

A gép szerszám-/akkumulátorvédő rendszerrel van felszerelve. A rendszer automatikusan kikapcsolja a motor áramellátását, így megnöveli a szerszám és az akkumulátor élettartamát. A gép használat közben automatikusan leáll, ha a szerszám a következő állapotok valamelyikébe kerül:

Figyelmeztető lámpa			Állapot
Szín	● Be	● Villogó lámpa	
Piros	●	●	Túlterhelés
Piros	●	●	Túlmelegedés
Piros	●	●	Túlmerülés

Túlterhelésvédelem

Ha a szerszám az alábbi helyzetek egyikébe kerül, a szerszám automatikusan leáll, és a figyelmeztető lámpa pirosan kezd villogni:

- A szerszámot túlterhelték az összegabalyodott gyomok vagy más törmelék.
- A vágószerszámot lezárták vagy visszarúgott.
- A főkapcsoló gombot bekapcsolják, miközben a kapcsológomb be van húzva.

Ebben a helyzetben engedje el a kapcsológombot, és ha szükséges, távolítsa el a feltekeredett gyomokat vagy hulladékok. Ezután húzza meg ismét a kapcsológombot a folytatáshoz.

▲ VIGYÁZAT: Ha el kell távolítania a szerszámra tekeredett gyomokat vagy fel kell oldania a lezárt vágószerszámot, gondoskodjon róla, hogy kezdés előtt kikapcsolja a szerszámot.

Túlterhelés-védelem a szerszámhoz/akkumulátorhoz

Ha a szerszám vagy az akkumulátor túlmelegszik, a szerszám automatikusan leáll. Amikor a szerszám vagy az akkumulátor túlmelegedik, a sebességjelző és az ADT kijelző kialszik, és a figyelmeztető lámpa pirosan kezd villogni. Hagyja kihűlni a gépet és/vagy az akkumulátort, mielőtt ismét bekapcsolná a gépet.

Mélykisütés elleni védelem

Amikor az akkumulátor kapacitása lecsökken, a gép automatikusan leáll. A sebességjelző és az ADT kijelző kialszik, és a figyelmeztető lámpa pirosan kezd villogni. Ha a szerszám a gombokkal sem működtehető, vegye ki a szerszámból a lemerült akkumulátort, és töltsen fel.

Az akkumulátor töltöttségének jelzése

Csak állapotjelzős akkumulátorok esetén

► **Ábra6:** 1. Jelzőlámpák 2. Check (ellenőrzés) gomb

Nyomja meg az ellenőrzőgombot, hogy az akkumulátortöltöttség-jelző megmutassa a hátralévő akkumulátor-kapacitást. Ekkor a töltöttségjint-jelző lámpák néhány másodpercre kigyulladnak.

Jelzőlámpák			Töltöttségi szint
Világító lámpa	KI	Villogó lámpa	
■	□	■	75%-tól 100%-ig
■	■	□	50%-tól 75%-ig
■	□	□	25%-tól 50%-ig
■	□	□	0%-tól 25%-ig
■	□	□	Töltsen fel az akkumulátort.
■	□	□	Lehetséges, hogy az akkumulátor meghibásodott.
□	□	■	

MEGJEGYZÉS: Az adott munkafeltételektől és a környezet hőmérsékletétől függően a jelzett töltöttségi szint némileg eltérhet a tényleges töltöttségi szinttől.

Főkapcsoló

A szerszám bekapcsolásához érintse meg a főkapcsoló gombot. A szerszám kikapcsolásához hosszan nyomja meg a főkapcsoló gombot, amíg a sebességjelző kialszik.
▶ **Ábra7:** 1. Sebességjelző 2. Főkapcsoló gomb

MEGJEGYZÉS: A szerszám automatikusan kikapcsol, ha egy bizonyos ideig nem működtetik.

A kapcsoló használata

FIGYELMEZTETÉS: Mielőtt behelyezi az akkumulátort a szerszámba, mindig ellenőrizze, hogy a kapcsológomb hibátlanul működik, és felengedéskor az "OFF" (KI) helyzetbe tér. A hibás kapcsolóval működő gép fölütt a kezelő elveszítheti az uralmat, és a gép súlyos személyi sérülést okozhat.

VIGYÁZAT: Soha ne tegye az újját a kapcsolóra a gép szállítása közben. A gép véletlenül elindulhat, és sérüléseket okozhat.

A kapcsológomb véletlenszerű meghúzásának elkerülésére egy reteszkioldó kar gondoskodik. A gép elindításához ragadja meg a fogantyút (ez a reteszkioldó kart is kioldja), majd húzza meg a kapcsológombot. A gép leállításához engedje el a kapcsológombot.

DUR190U és DUR191U

▶ **Ábra8:** 1. Reteszkioldó kar 2. Kapcsológomb

DUR190L és DUR191L





▶ **Ábra9:** 1. Reteszkioldó kar 2. Kapcsológomb

MEGJEGYZÉS: A szerszám automatikusan kikapcsol, ha bizonyos ideig nem működtetik a szerszámot.

Fordulatszám-állítás

A szerszám fordulatszámja a főkapcsológomb rövid megnyomásával választható ki. A főkapcsológomb minden megnyomására megváltozik a sebességszint.

▶ **Ábra10:** 1. Sebességjelző 2. Főkapcsoló gomb 3. ADT kijelző

Sebességjelző	Üzem mód	Fordulatszám
	ADT	3 500 - 6 000 min ⁻¹
	Magas	6 000 min ⁻¹
	Közepes	5 100 min ⁻¹
	Alacsony	3 500 min ⁻¹

MEGJEGYZÉS: Amikor beállítja az automatikus nyomaték-meghajtó technológiát (ADT), az ADT kijelző bekapcsol, és a szerszám az épp vágott fű állapotához optimális fordulatszámra és nyomatékra működik.

Irányváltó gomb a hulladék eltávolítására

FIGYELMEZTETÉS: Kapcsolja ki a gépet, majd távolítsa el az akkumulátort, mielőtt nekezd a forgásirányváltással nem eltávolítható feltekeredett gyomok vagy hulladék eltávolításának. A kikapcsolás és az akkumulátor előzetes eltávolításának elmulasztása a gép véletlen beindulását eredményezheti, ami súlyos személyi sérüléseket okozhat.

Ez a gép irányváltó gombbal van felszerelve, amely a forgásirány módosítására szolgál. A gomb kizárólag a gépre feltekeredett gyomok és hulladékok eltávolítására szolgál.

A forgásirányváltáshoz érintse meg az irányváltó gombot, és a reteszkioldó kart nyomva tartva húzza meg a kapcsológombot, miután a vágószerszám megállt. Amikor meghúzza a kapcsológombot, a sebességjelzők és az ADT kijelző villogni kezdenek, a vágószerszám pedig ellenkező irányba kezd forgogni.

A normál forgásirány visszaállításához engedje el a kapcsológombot, és várja meg, amíg a vágószerszám megáll.

▶ **Ábra11:** 1. Sebességjelző 2. ADT kijelző 3. Irányváltó gomb

MEGJEGYZÉS: Ellentétes irányba forgó fejjel a gép csak rövid ideig működik, majd automatikusan leáll.

MEGJEGYZÉS: Ha a gép leállt, az ismételt elindításakor a fej ismét normál irányba kezd forgogni.

MEGJEGYZÉS: Ha a használat során még forgó vágószerszám mellett nyomja meg az irányváltó gombot, a szerszám leáll, és felkészül az ellentétes irányú forgásra.

Elektromos fék

A szerszám elektromos fékkel rendelkezik. Ha a szerszámnak rendszeresen nem sikerül gyorsan leállnia a kapcsológomb felengedése után, szervizeltesse a szerszámot a szervizközpontunkban.

VIGYÁZAT: A fékrendszer nem helyettesíti a védőburkolatot. Soha ne használja a szerszámot védőburkolat nélkül. A védelem nélküli vágószerzám súlyos személyi sérüléseket okozhat.

ÖSSZESZERELÉS

▲ FIGYELMEZTETÉS: Ha a gépen szeretne különféle munkákat végezni, előtte feltétlenül kapcsolja ki a gépet, és vegye ki belőle az akkumulátort. A kikapcsolás és az akkumulátor előzetes eltávolításának elmulasztása a gép véletlen beindulását eredményezheti, ami súlyos személyi sérüléseket okozhat.

▲ FIGYELMEZTETÉS: A gépet kizárólag akkor indítsa be, ha az teljesen össze van szerelve. A részlegesen összeszerelt gép használata súlyos sérüléseket okozhat.

A fogantyú felszerelése

Csak a DUR190U és a DUR191U esetében

1. Illessze a fogantyú tengelyét a markolatba. Igazítsa össze a markolaton található furatot a tengelyen található furattal. Húzza meg szorosan a csavart.
▶ **Ábra12:** 1. Markolat 2. Csavar 3. Fogantyú
2. Helyezze a fogantyút a fogantyúbilincs és fogantyúúrtató közé. Állítsa be a fogantyút egy kényelmes munkaszögbe, majd rögzítse azt az imbuszcsavarokkal.
▶ **Ábra13:** 1. Imbuszcsavar 2. Fogantyúbilincs 3. Fogantyúúrtató

A segédmarkolat rögzítése

A DUR190L és a DUR191L esetében

Ha az Ön típusához tartozik segédmarkolat, rögzítse azt a fogantúhoz a segédmarkolaton lévő csavar segítségével.
▶ **Ábra14:** 1. Segédmarkolat 2. Csavar

▲ VIGYÁZAT: A segédmarkolat felszerelése után ne távolítsa el azt. A segédmarkolat biztonsági alkatrészként szolgál, megakadályozza, hogy véletlenül megérintse a vágókést.

A hosszabbítócső felszerelése

Csak a DUR191U és a DUR191L esetében

Szerelje fel a hosszabbítócsövet a meghajtóegységre.

1. Fordítsa el a kart az ábrán látható nyíl által jelzett irányba.
▶ **Ábra15:** 1. Kar
2. Húzza fel a csatlakozófedeleet, és illessze be a hosszabbítócsövet úgy, hogy a cső kiemelkedő része (a vágószerszám felőli oldalán) illeszkedjen a csatlakozási pontt konkáv részéhez.
▶ **Ábra16:** 1. Reteszelőkar 2. Csatlakozófedél 3. Cső

Ügyeljen arra, hogy a reteszelőkar felülete párhuzamos legyen a csővel.

3. Fordítsa el a kart az ábrán látható nyíl által jelzett irányba.
▶ **Ábra17:** 1. Kar

A cső eltávolításához fordítsa el a kart az ábrán látható nyíl által jelzett irányba, majd húzza ki a csövet, miközben a reteszelőkart lenyomva tartja.

- ▶ **Ábra18:** 1. Kar 2. Reteszelőkar 3. Cső

A védőburkolat felszerelése

▲ FIGYELMEZTETÉS: Soha ne használja a gépet az ábrán látható védőburkolat nélkül. Ezen óvintézkedés elmulasztása súlyos személyi sérüléshez vezethet.

▲ VIGYÁZAT: Legyen óvatos, nehogy megvágja magát a nejlonszál vágására szolgáló késsel.

Csavarokkal rögzítse a védőburkolatot a rögzítőhöz.

- ▶ **Ábra19:** 1. Szorító 2. Védőburkolat 3. Vágóelem

A vágószerszám felszerelése

MEGJEGYZÉS: A standard tartozékként szállított vágószerszám(ok) típusa országtól függően változik. Egyes országokban nem tartozik bele a vágószerszám.

MEGJEGYZÉS: A vágószerszám egyszerűbb kicserélése érdekében fordítsa a gépet fejfel lefelé.

Vágókés

▲ VIGYÁZAT: A vágókéssel való munkavégzéskor mindig viseljen kesztyűt, és helyezze a kést a késvédő.

▲ VIGYÁZAT: A vágókést jól meg kell élezni, és karcolás- és törésmentesnek kell lennie. Ha használat közben a vágókés kőnek ütközik, azonnal állítsa le a szerszámot, és vizsgálja meg a vágókést.

▲ VIGYÁZAT: Mindig a műszaki adatok részben leírt átmérőjű vágókést használjon.

- ▶ **Ábra20:** 1. Anya 2. Gyűrű 3. Szorító alátét
4. Vágókés 5. Orsó 6. Védőburkolat
7. Orsóreteszelő gomb

1. Szerelje fel a vágókést a védőburkolatra úgy, hogy a vágókésen és a védőburkolaton lévő nyílak ugyanabba az irányba mutassanak.

- ▶ **Ábra21:** 1. Nyíl

2. Tegye a szorító alátétet és a gyűrűt a vágókésre.

3. Az orsóreteszelő gomb nyomva tartása közben húzza meg szorosan az anyát a csillagkulccsal.

- ▶ **Ábra22:** 1. Orsóreteszelő gomb 2. Csillagkulcs
3. Lazítás 4. Meghúzás

A vágókés eltávolításához lazítsa meg az anyát az orsóreteszelő gomb nyomva tartása közben.

Nejlonszálás vágófeje

MEGJEGYZÉS: Kizárólag eredeti Makita nejlonszálás vágófejet szereljen fel.

Az orsóreteszelő gomb nyomva tartása közben helyezze a nejlonszálás vágófejet az orsóra, és húzza meg szorosan kézzel.

- ▶ **Ábra23:** 1. Nejlonszálás vágófej 2. Orsó
3. Orsóreteszelő gomb 4. Lazítás
5. Meghúzás

A nejlonszálás vágófeje eltávolításához lazítsa meg a nejlonszálás vágófejet az orsóreteszelő gomb nyomva tartása közben.

Műanyag kés

MEGJEGYZÉS: Kizárólag eredeti Makita műanyag kést használjon.

Az orsóreteszelő gomb nyomva tartása közben helyezze a műanyag kést az orsóra, és húzza meg szorosan kézzel.

▶ **Ábra24:** 1. Műanyag kés 2. Orsó 3. Orsóreteszelő gomb 4. Lazítás 5. Meghúzás

A műanyag kés eltávolításához lazítsa meg a műanyag kést az orsóreteszelő gomb nyomva tartása közben.

MEGJEGYZÉS: A mellékelt imbuszkulcsot használhatja a vágószerszám felszereléséhez/eltávolításához. Az orsó rögzítéséhez helyezze az imbuszkulcsot a furathoz az ábrán látható módon.

▶ **Ábra25:** 1. Imbuszkulcs 2. Furat

⚠VIGYÁZAT: Mindig a mellékelt imbuszkulcsot használja a vágószerszám felszereléséhez/eltávolításához.

⚠VIGYÁZAT: A vágószerszám felszerelése után ügyeljen arra, hogy eltávolítsa a szerszám fejébe helyezett imbuszkulcsot.

A fogantyú/akasztókapocs pozíciójának beállítása

Állítsa be a fogantyú és az akasztókapocs pozícióját úgy, hogy kényelmesen tudja kezelni a gépet.

A DUR190U és a DUR191U esetében

Állítsa be a fogantyú/akasztókapocs pozícióját úgy, hogy a szerszám az alább látható tartományon belül legyen.

▶ **Ábra26**

1	Az akasztókapocs pozíciója a talajhoz képest
2	A vágószerszám pozíciója a talajhoz képest
3	Az akasztókapocs és a vágószerszám védtelen része közötti vízszintes távolság

Lazítsa ki a fogantyútartó alján található imbuszcsoncsavarokat. Helyezze át a fogantyút egy kényelmes munkapozícióba, majd szorítsa meg a csavarokat.

▶ **Ábra27:** 1. Fogantyútartó 2. Imbuszcsoncsavar 3. Fogantyú

Lazítsa ki az akasztókapcsban található imbuszcsoncsavarokat. Helyezze át az akasztókapcsot egy kényelmes munkapozícióba, majd szorítsa meg a csavarokat.

▶ **Ábra28:** 1. Imbuszcsoncsavar 2. Akasztókapocs

A DUR190L és a DUR191L esetében

Lazítsa ki a fogantyún található imbuszcsoncsavarokat. Helyezze át a fogantyút egy kényelmes munkapozícióba, majd szorítsa meg a csavarokat.

▶ **Ábra29:** 1. Imbuszcsoncsavar 2. Fogantyú

Lazítsa ki a fogantyún található imbuszcsoncsavart. Helyezze át az akasztókapcsot egy kényelmes munkapozícióba, majd szorítsa meg a csavart.

▶ **Ábra30:** 1. Imbuszcsoncsavar 2. Akasztókapocs

Az imbuszkulcs tárolása

Amikor nem használja, tárolja az imbuszkulcsot az ábrán látható módon, nehogy elveszzen.

▶ **Ábra31:** 1. Imbuszkulcs

Csak a DUR190L és a DUR191L esetében

▶ **Ábra32:** 1. Fogantyú 2. Imbuszkulcs

MŰKÖDTETÉS

A vállheveder felszerelése

⚠VIGYÁZAT: Minden esetben használja a szerszámhoz mellékelt vállhevedert. A szerszám használata előtt mindig állítsa be a vállheveder méretét, ezzel elkerülve a gyors kifradást.

⚠VIGYÁZAT: Használat előtt gondoskodjon róla, hogy a vállheveder megfelelően legyen rögzítve a szerszám akasztókapcsához.

Csatlakoztassa a vállheveder akasztóját az akasztókapocshoz, majd vegye fel a vállhevedert. Győződjön meg arról, hogy a vállheveder biztonságosan tartja a gépet.

DUR190U és DUR191U

▶ **Ábra33:** 1. Akasztó 2. Akasztókapocs

DUR190L és DUR191L

▶ **Ábra34:** 1. Akasztó 2. Akasztókapocs

Leválasztás

A vállheveder gyorskioldó mechanizmussal rendelkezik.

DUR190U és DUR191U

▶ **Ábra35:** 1. Szalag

A gép vállhevederből való kioldásához húzza meg a szalagot.

DUR190L és DUR191L

▶ **Ábra36:** 1. Csatlakozó

A gép vállhevederből való kioldásához egyszerűen nyomja össze a csatlakozókat.

A szerszám megfelelő kezelése

⚠FIGYELMEZTETÉS: A gépet mindig a jobb oldalán tartsa. A gép megfelelő elhelyezése maximális kontrollt biztosít, emellett csökkenti a visszarúgás okozta súlyos személyi sérülések kockázatát.

⚠FIGYELMEZTETÉS: Mindig különösen óvatosan dolgozzon, ezzel biztosítva a gép feletti uralom megtartását. Ne hagyja, hogy a gép maga felé vagy a munkavégzés közelében tartózkodó személyek felé dőljön. A gép feletti uralom elvesztése a kezelő és a közelben tartózkodó személyek súlyos sérülését okozhatja.

⚠FIGYELMEZTETÉS: A balesetek elkerülése érdekében a kezelők mindig tartsanak legalább 15 m (50 láb) távolságot egymás között, amikor kettő vagy több kezelő dolgozik egy területen. Emellett gondoskodjon arról, hogy valaki felügyelje a kezelők közötti távolságot. Ha egy ember vagy egy állat belép a munkaterületre, a munkát azonnal abba kell hagyni.

⚠ VIGYÁZAT: Ha használat közben a vágószerszám véletlenül kőbe vagy kemény tárgyba ütközik, állítsa le a szerszámot, és ellenőrizze, nem sérült-e meg. Ha a vágószerszám megsérült, azonnal cserélje ki. A károsodott vágószerszám súlyos személyi sérüléseket okozhat.

⚠ VIGYÁZAT: Fű vágásakor vegye le a vágókésről a késvédőt.

A helyes pozicionálás és kezelés lehetővé teszi az optimális vezérlést, és csökkenti a visszarúgás okozta sérülés kockázatát.

DUR190U és DUR191U

▶ Ábra37

DUR190L és DUR191L

▶ Ábra38

Nejlonszálás vágófej (ütögetéses adagolós típus) használata esetén

A nejlonszálás vágófej kétszálás, ütögetésre nejlonszálalat adagoló mechanizmusból áll.

A nejlonszál adagolásához a vágófejet alacsony fordulatszámú működése mellett üsse enyhén a talajhoz.

▶ **Ábra39:** 1. A leghatékonyabb vágási terület

MEGJEGYZÉS: Az ütögetéses adagolás nem működik megfelelően, ha a nejlonszálás vágófej nem forog.

MEGJEGYZÉS: Ha a nejlonszál adagolása a fej ütögetésére nem történik meg, akkor a karbantartási fejezetben leírt módon tekerje fel/cserélje ki a nejlonszálalat.

KARBANTARTÁS

⚠ FIGYELMEZTETÉS: Ellenőrzés vagy karbantartás előtt feltétlenül kapcsolja ki a szerszámot, és vegye ki belőle az akkumulátort. A kikapcsolás és az akkumulátor előzetes eltávolításának elmulasztása a gép véletlen beindulását eredményezheti, ami súlyos személyi sérüléseket okozhat.

MEGJEGYZÉS: Soha ne használjon gázolajt, benzint, hígítót, alkoholt vagy hasonló anyagokat. Ezek elszíneződést, alakvesztést vagy repedést okozhatnak.

A termék BIZTONSÁGÁNAK és MEGBÍZHATÓSÁGÁNAK fenntartása érdekében a javításokat és más karbantartásokat vagy beállításokat a Makita hivatalos vagy gyári szervizközpontjában kell elvégezni, mindig csak Makita cserealkatrészeket használva.

A nejlonszál cseréje

⚠ FIGYELMEZTETÉS: Csak az ebben a használati utasításban megadott átmérőjű nejlonszálalat használjon. Ne használjon nehezebb huzalt, spárgát vagy hasonló. Ha nem így tesz, károsodhat a szerszám, és az súlyos személyi sérülést okozhat.

⚠ FIGYELMEZTETÉS: Mindig távolítsa el a nejlonszálás vágófejet a szerszámról, amikor cseréli a nejlonszálalat.

⚠ FIGYELMEZTETÉS: Gondoskodjon róla, hogy a nejlonszálás vágófej burkolata a jelen használati utasításban leírt módon, megfelelően rögzüljön a házhoz. A burkolat megfelelő felerősítésének elmulasztása esetén a nejlonszálás vágófej a gépről lerepülve súlyos sérülést okozhat.

Cserélje ki a nejlonszálalat, ha az adagolás már nem működik. A nejlonszál cseréjének módszere a nejlonszálás vágófej típusától függően változik.

95-M10L

▶ Ábra40

A műanyag kés cseréje

Ha elkopott vagy eltörtött, cserélje ki a műanyag kést.
▶ Ábra41

A műanyag kés felszerelésekor ügyeljen rá, hogy a késen található nyíl a védőburkolaton található nyíllal megegyező irányba mutasson.

▶ **Ábra42:** 1. Nyíl a védőburkolaton 2. Nyíl a késen

HIBAEHÉLYZETEK

Mielőtt a szervizhez fordulna, először végezzen saját maga is átvizsgálást. Ha olyan problémát talál, amire a kézikönyv nem tartalmaz magyarázatot, ne próbálja meg szétszedni az eszközt. Ehelyett kérjen tanácsot a Makita hivatalos szervizközpontjától, és javításhoz mindig Makita cserealkatrészeket használjon.

Rendellenesség	Lehetséges ok (meghibásodás)	Megoldás
A motor nem működik.	Az akkumulátor nincs a gépben.	Helyezze a gépbe az akkumulátort.
	Akkumulátorprobléma (alacsony feszültség)	Töltse fel az akkumulátort. Ha az újratöltés nem elég hatékony, cserélje ki az akkumulátort.
	A meghajtórendszer nem működik megfelelően.	Javításért forduljon a kijelölt helyi szervizhez.
A motor rövid használat után leáll.	Az akkumulátor töltési szintje alacsony.	Töltse fel az akkumulátort. Ha az újratöltés nem elég hatékony, cserélje ki az akkumulátort.
	Túlmelegedés.	Hagyja abba a gép használatát, és várja meg, amíg lehűl.
A gép nem éri el a maximális fordulatszámot.	Az akkumulátort helytelenül szerelték be.	Az akkumulátort az útmutató szerint szerelje be.
	Az akkumulátor feszültsége nagy mértékben csökken.	Töltse fel az akkumulátort. Ha az újratöltés nem elég hatékony, cserélje ki az akkumulátort.
	A meghajtórendszer nem működik megfelelően.	Javításért forduljon a kijelölt helyi szervizhez.
A vágószerszám nem forog: ⇒ azonnal állítsa le a gépet!	Idegen tárgy, például faág szorult a védőburkolat és a vágószerszám között.	Távolítsa el az idegen tárgyat.
	A meghajtórendszer nem működik megfelelően.	Javításért forduljon a kijelölt helyi szervizhez.
A gép rendellenesen rezeg: ⇒ azonnal állítsa le a gépet!	A nejlonszál egyik vége leszakadt.	A nejlonszál adagolásához ütögesse a talajhoz a nejlon vágófejet működés közben.
	A meghajtórendszer nem működik megfelelően.	Javításért forduljon a kijelölt helyi szervizhez.
A vágószerszám és a motor nem áll le: ⇒ Haladéktalanul távolítsa el az akkumulátort!	Elektromos vagy elektronikai hiba.	Vegye ki az akkumulátort, és javításért forduljon a kijelölt helyi szakszervizhez.

OPCIONÁLIS KIEGÉSZÍTŐK

▲ FIGYELMEZTETÉS: Csak az ebben a kézikönyvben felsorolt javasolt kiegészítőket és tartozékokat használja. Bármilyen más kiegészítő vagy tartozék használata súlyos személyi sérüléshez vezethet.

▲ VIGYÁZAT: Ezen kiegészítőket és tartozékokat javasoljuk a kézikönyvben ismertetett Makita szerszámhoz. Bármilyen más kiegészítő vagy tartozék használata a személyi sérülés kockázatával jár. A kiegészítőt vagy tartozékot csak rendeltetésszerűen használja.

Ha bármilyen segítségre vagy további információra van szüksége ezekkel a tartozékokkal kapcsolatban, keresse fel a helyi Makita Szervizközpontot.

- Vágókés
- Nejlonszál vágófej
- Nejlonszál (vágószál)
- Műanyag kés
- Eredeti Makita akkumulátor és töltő

MEGJEGYZÉS: A listán felsorolt néhány kiegészítő megtalálható az eszköz csomagolásában standard kiegészítőként. Ezek országonként eltérőek lehetnek.

TECHNICKÉ ŠPECIFIKÁCIE

Model:	DUR190U	DUR190L	DUR191U	DUR191L
Typ rukoväti	Cyklistická rukoväť	Kruhovú rukoväť	Cyklistická rukoväť	Kruhovú rukoväť
Otáčky naprázdno	3: 6 000 min ⁻¹ 2: 5 100 min ⁻¹ 1: 3 500 min ⁻¹			
Celková dĺžka (bez sečného náradia)	1 775 mm			
Priemer nylonovej struny	2,0 – 2,4 mm			
Príslušné sečné náradie a priemer žacieho záberu	3-zubová čepeľ (č. dielu 191J34-5)		230 mm	
	4-zubová čepeľ (č. dielu 729025-2)		230 mm	
	Nylonová sečná hlava (č. dielu 126674-0)		300 mm	
	Plastová čepeľ (č. dielu 126642-3)		230 mm	
Menovité napätie	Jednosmerný prúd 18 V			
Hmotnosť netto	3,1 - 3,4 kg	2,9 - 3,2 kg	3,4 - 3,7 kg	3,2 - 3,5 kg

- Vzhľadom k neustálemu výskumu a vývoju podliehajú technické údaje uvedené v tomto dokumente zmenám bez upozornenia.
- Technické údaje sa môžu pre rôzne krajiny líšiť.
- Hmotnosť sa môže líšiť v závislosti od nadstavcov vrátane akumulátora. Najľahšia a najťažšia kombinácia v súlade s postupom EPTA 01/2014 je uvedená v tabuľke.

Použiteľné akumulátory a nabíjačky

Akumulátor	BL1815N / BL1820 / BL1820B / BL1830 / BL1830B / BL1840 / BL1840B / BL1850 / BL1850B / BL1860B
Nabíjačka	DC18RC / DC18RD / DC18RE / DC18SD / DC18SE / DC18SF / DC18SH

- Niektoré vyššie uvedené akumulátory a nabíjačky môžu byť nedostupné v závislosti od miesta vášho bydliska.

VAROVANIE: Používajte iba akumulátory a nabíjačky zo zoznamu uvedeného vyššie. Používanie akýchkoľvek iných akumulátorov a nabíjačiek môže spôsobiť zranenie a/alebo požiar.

Odporúčaný adaptér akumulátora

Adaptér batérií	PDC01
-----------------	-------

- Vyššie uvedené adaptéry akumulátora nemusia byť dostupné v závislosti od miesta vášho bydliska.
- Pred použitím adaptéru akumulátora si prečítajte pokyny a varovné symboly na adaptér akumulátora.

Model DUR190U

Sečné náradie	Úroveň akustického tlaku (L_{pA}) dB(A)		Úroveň akustického výkonu (L_{WA}) dB(A)		Platná norma
	L_{pA} dB(A)	Odchýlka (K) dB(A)	L_{WA} dB (A)	Odchýlka (K) dB(A)	
4-zubová čepeľ	77,0	3,9	91,6	2,4	ISO22868 (ISO11806-1)
Nylonová žacia hlava	74,0	1,9	87,1	0,9	ISO22868 (ISO11806-1)/ EN50636-2-91
Plastová čepeľ	75,6	1,3	85,9	2,1	ISO22868 (ISO11806-1)/ EN50636-2-91

Model DUR190L

Sečné náradie	Úroveň akustického tlaku (L_{pA}) dB(A)		Úroveň akustického výkonu (L_{WA}) dB(A)		Platná norma
	L_{pA} dB(A)	Odchýlka (K) dB(A)	L_{WA} dB (A)	Odchýlka (K) dB(A)	
4-zubová čepeľ	77,0	3,9	91,6	2,4	ISO22868 (ISO11806-1)
Nylonová sečná hlava	74,0	1,9	87,1	0,9	ISO22868 (ISO11806-1)/ EN50636-2-91
Plastová čepeľ	75,6	1,3	85,9	2,1	ISO22868 (ISO11806-1)/ EN50636-2-91

Model DUR191U

Sečné náradie	Úroveň akustického tlaku (L_{pA}) dB(A)		Úroveň akustického výkonu (L_{WA}) dB(A)		Platná norma
	L_{pA} dB(A)	Odchýlka (K) dB(A)	L_{WA} dB (A)	Odchýlka (K) dB(A)	
4-zubová čepeľ	77,0	3,9	91,6	2,4	ISO22868 (ISO11806-1)
Nylonová sečná hlava	74,0	1,9	87,1	0,9	ISO22868 (ISO11806-1)/ EN50636-2-91
Plastová čepeľ	75,6	1,3	85,9	2,1	ISO22868 (ISO11806-1)/ EN50636-2-91

Model DUR191L

Sečné náradie	Úroveň akustického tlaku (L_{pA}) dB(A)		Úroveň akustického výkonu (L_{WA}) dB(A)		Platná norma
	L_{pA} dB(A)	Odchýlka (K) dB(A)	L_{WA} dB (A)	Odchýlka (K) dB(A)	
4-zubová čepeľ	77,0	3,9	91,6	2,4	ISO22868 (ISO11806-1)
Nylonová sečná hlava	74,0	1,9	87,1	0,9	ISO22868 (ISO11806-1)/ EN50636-2-91
Plastová čepeľ	75,6	1,3	85,9	2,1	ISO22868 (ISO11806-1)/ EN50636-2-91

- Aj ak je hore uvedená úroveň akustického tlaku 80 dB (A) alebo menej, úroveň pri práci môže presahovať 80 dB (A). Používajte ochranu sluchu.

POZNÁMKA: Deklarovaná hodnota emisií hluku bola meraná podľa štandardnej skúšobnej metódy a môže sa použiť na porovnanie jedného nástroja s druhým.

POZNÁMKA: Deklarovaná hodnota emisií hluku sa môže použiť aj na predbežné posúdenie vystavenia ich účinkom.

VAROVANIE: Používajte ochranu sluchu.

VAROVANIE: Emisie hluku sa môžu počas skutočného používania elektrického nástroja odlišovať od deklarovanej hodnoty, a to v závislosti od spôsobov používania náradia a najmä typu spracúvaného obrobku.

VAROVANIE: Nezabudnite označiť bezpečnostné opatrenia s cieľom chrániť obsluhu, a to tie, ktoré sa zakladajú na odhade vystavenia účinkom v rámci reálnych podmienok používania (berúc do úvahy všetky súčasti prevádzkového cyklu, ako sú doby, kedy je nástroj vypnutý a kedy beží bez zaťaženia, ako dodatok k dobe zapnutia).

Vibrácie

Model DUR190U

Sečné náradie	Ľavá ruka		Pravá ruka		Platná norma
	$a_{h,w}$ (m/s ²)	Nespo-fahlivosť (K):m/s ²	$a_{h,w}$ (m/s ²)	Nespo-fahlivosť (K):m/s ²	
4-zubová čepeľ	≤ 2,5	1,5	≤ 2,5	1,5	ISO22867 (ISO11806-1)
Nylonová žacia hlava	≤ 2,5	1,5	≤ 2,5	1,5	ISO22867 (ISO11806-1)
Plastová čepeľ	≤ 2,5	1,5	≤ 2,5	1,5	ISO22867 (ISO11806-1)

Model DUR190L

Sečné náradie	Ľavá ruka		Pravá ruka		Platná norma
	$a_{h,w}$ (m/s ²)	Nespo-fahlivosť (K):m/s ²	$a_{h,w}$ (m/s ²)	Nespo-fahlivosť (K):m/s ²	
4-zubová čepeľ	≤ 2,5	1,5	≤ 2,5	1,5	ISO22867 (ISO11806-1)
Nylonová žacia hlava	≤ 2,5	1,5	≤ 2,5	1,5	ISO22867 (ISO11806-1)
Plastová čepeľ	≤ 2,5	1,5	≤ 2,5	1,5	ISO22867 (ISO11806-1)

Model DUR191U

Sečné náradie	Ľavá ruka		Pravá ruka		Platná norma
	$a_{h,w}$ (m/s ²)	Nespo-fahlivosť (K):m/s ²	$a_{h,w}$ (m/s ²)	Nespo-fahlivosť (K):m/s ²	
4-zubová čepeľ	≤ 2,5	1,5	≤ 2,5	1,5	ISO22867 (ISO11806-1)
Nylonová žacia hlava	≤ 2,5	1,5	≤ 2,5	1,5	ISO22867 (ISO11806-1)
Plastová čepeľ	≤ 2,5	1,5	≤ 2,5	1,5	ISO22867 (ISO11806-1)

Model DUR191L

Sečné náradie	Ľavá ruka		Pravá ruka		Platná norma
	$a_{h,w}$ (m/s ²)	Nespo-fahlivosť (K):m/s ²	$a_{h,w}$ (m/s ²)	Nespo-fahlivosť (K):m/s ²	
4-zubová čepeľ	≤ 2,5	1,5	≤ 2,5	1,5	ISO22867 (ISO11806-1)
Nylonová žacia hlava	≤ 2,5	1,5	≤ 2,5	1,5	ISO22867 (ISO11806-1)
Plastová čepeľ	≤ 2,5	1,5	≤ 2,5	1,5	ISO22867 (ISO11806-1)

POZNÁMKA: Deklarovaná celková hodnota vibrácií bola meraná podľa štandardnej skúšobnej metódy a môže sa použiť na porovnanie jedného nástroja s druhým.



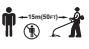



POZNÁMKA: Deklarovaná celková hodnota vibrácií sa môže použiť aj na predbežné posúdenie vystavenia ich účinkom.

VAROVANIE: Emisie vibrácií sa môžu počas skutočného používania elektrického nástroja odlišovať od deklarovanej hodnoty, a to v závislosti od spôsobov používania náradia a najmä typu spracúvaného obrobku.

VAROVANIE: Nezabudnite označiť bezpečnostné opatrenia s cieľom chrániť obsluhu, a to tie, ktoré sa zakladajú na odhade vystavenia účinkom v rámci reálnych podmienok používania (berúc do úvahy všetky súčasti prevádzkového cyklu, ako sú doby, kedy je nástroj vypnutý a kedy beží bez zaťaženia, ako dodatok k dobe zapnutia).

Symbody

Nižšie sú uvedené symbody, s ktorými sa môžete stretnúť pri použití nástroja. Je dôležité, aby ste poznali ich význam, skôr než začnete pracovať.

	Práci venujte veľkú pozornosť a dávajte pozor.
	Prečítajte si návod na obsluhu.
	Dodržiavajte aspoň 15 m vzdialenosť.
	Nebezpečenstvo; dávajte pozor na odhodnené predmety.
	Upozornenie, spätný náraz
	Používajte prilbu, okuliare a chrániče sluchu.
	Používajte ochranné rukavice.
	Používajte pevnú obuv s nekľzavou podrážkou. Odporúča sa používanie bezpečnostnej obuvi s oceleovou špičkou.
	Nevystavujte účinkom vlhkosti.
	Len pre štáty EÚ Elektrické zariadenia ani akumulátor nevyhadzujte do komunálneho odpadu! Podľa európskej smernice o nakladaní s použitými elektrickými a elektronickými zariadeniami a smernice o batériách a akumulátoroch a odpadových batériách a akumulátoroch a ich implementovaní v súlade s právnymi predpismi jednotlivých krajín je nutné elektrické zariadenia a batérie po skončení ich životnosti separovať a odovzdať na zberné miesto vykonávajúce environmentálne kompatibilné recyklovanie.

Vyhľadanie o zhode ES

Len pre krajiny Európy

Vyhľadanie o zhode ES sa nachádza v prílohe A tohto návodu na obsluhu.

BEZPEČNOSTNÉ VAROVANIA

Všeobecné bezpečnostné predpisy pre elektrické nástroje

VAROVANIE: Preštudujte si všetky bezpečnostné varovania, pokyny, vyobrazenia a technické špecifikácie určené pre tento elektrický nástroj. Pri nedodržaní všetkých nižšie uvedených pokynov môže dôjsť k úrazu elektrickým prúdom, požiaru alebo vážnemu zraneniu.

Všetky výstrahy a pokyny si odložte pre prípad potreby v budúcnosti.

Pojem „elektrický nástroj“ sa vo výstrahách vzťahuje na elektricky napájané elektrické nástroje (s káblom) alebo batériu napájané elektrické nástroje (bez kábla).

Dôležité bezpečnostné pokyny pre nástroj

VAROVANIE: Prečítajte si všetky bezpečnostné výstrahy a pokyny. Nedodržanie varovaní a pokynov môže mať za následok zasiahnutie elektrickým prúdom, požiar alebo vážne zranenie.

Všetky výstrahy a pokyny si odložte pre prípad potreby v budúcnosti.

Určené použitie

1. Tento nástroj je určený iba na kosenie trávy, buriny, kríkov a podrastu. Náradie sa nesmie používať na žiadny iný účel, ako je napríklad vyžínanie okrajov a strihanie živých plotov, pretože by mohlo dôjsť k poraneniu.

Všeobecné pokyny

1. Nikdy nedovoľte, aby nástroj používali osoby, ktoré nie sú oboznámené s týmito pokynmi, osobami (vrátane detí) so zníženými fyzickými, zmyslovými alebo duševnými schopnosťami alebo nedostatkom skúseností a znalostí. V prípade detí treba dohliadať na to, aby sa s nástrojom nehrali.
2. Pred spustením nástroja si prečítajte tento návod na obsluhu, aby ste sa oboznámili s manipuláciou s nástrojom.
3. Nástroj nepožičiavajte osobe bez dostatočných znalostí alebo skúseností s manipuláciou s krovínorezmi a strunovými kosačkami.
4. Pri požičiavaní nástroja vždy odovzdajte aj návod na obsluhu.
5. S nástrojom manipulujte s maximálnou opatrnosťou a pozornosťou.
6. Nástroj nikdy nepoužívajte po požití alkoholu alebo liekov, alebo pokiaľ sa cítite unavení alebo chorí.
7. Nástroj sa nikdy nepokúšajte upravovať.

8. Dodržiavajte nariadenia upravujúce manipuláciu s krovínorezmi a strunovými kosačkami platné vo vašej krajine.

Osobné ochranné pomôcky

► Obr.1

1. Používajte bezpečnostnú prilbu, ochranné okuliare a ochranné rukavice, aby ste sa chránili pred odletujúcimi úlomkami alebo padajúcimi predmetmi.
2. Používajte ochranné tlmíče, aby ste zabránili strate sluchu.
3. Na zaistenie bezpečnej prevádzky používajte správny odev a obuv, napríklad pracovnú kombinézu a pevnú obuv s nekĺzavou podrážkou. Nenoste voľný odev ani šperky. Voľný odev, šperky alebo dlhé vlasy sa môžu zachytiť do pohyblivých súčastí zariadenia.
4. Pred manipuláciou s reznou čepeľou si nasadzte ochranné rukavice. Reznými čepeľami si môžete vážne porazať ruku.

Bezpečnosť na pracovisku

1. Nástroj používajte len pri dobrej viditeľnosti a pri dennom svetle. Nástroj nepoužívajte počas tmy ani pri výskyte hmly.
2. Nástroj nepoužívajte vo výbušnom prostredí, napr. v prítomnosti zápalných kvapalín, plynov alebo prachu. Nástroj produkuje iskry, ktoré môžu spôsobiť vznietenie prachu alebo páru.
3. Počas vykonávania práce nikdy nestojte na nestabilnom alebo kĺzkom povrchu, ani na strmom svahu. Počas chladného ročného obdobia dávajte pozor na ľad a sneh a vždy zaujmite stabilný postoj.
4. Počas prevádzky zabezpečte, aby sa okolostojace osoby alebo zvieratá zdržiavali vo vzdialenosti aspoň 15 m od nástroja. Ak sa ktokoľvek priblíži, okamžite vypnite nástroj.
5. Nikdy nepracujte s nástrojom, pokiaľ stojíte v blízkosti osoby, hlavne deti alebo zvieratá.
6. Pred vykonávaním práce zistíte, či sa na pracovisku nenachádzajú kamene alebo iné pevné predmety. Môžu vystreľovať alebo spôsobiť nebezpečný spätný náraz a spôsobiť vážne zranenie a/alebo poškodenie majetku.
7. **VAROVANIE:** Používaním tohto výrobku sa môže tvoriť prach obsahujúci chemické látky, ktoré môžu spôsobiť dýchacie problémy alebo iné ochorenia. Príkladmi týchto chemických látok alebo zlúčenín sú pesticidy, insekticidy, hnojivá a herbicidy. Riziko ohrozenia týmito látkami sa líši v závislosti od toho, ako často vykonávate tento typ práce. Pracujte na dobre vetranom mieste s odporúčanými ochrannými pomôckami, napríklad s protiprachovými maskami, ktoré sú špeciálne určené na filtrovanie mikroskopických častíc, aby ste znížili riziká spôsobené vystavením sa týmto chemickým látkam.

Bezpečnosť pri práci s elektrickým náradím a akumulátorom

1. Nástroj nevystavujte účinkom dažďa ani iného vlhkého prostredia. Ak do nástroja vnikne voda, zvýši sa tým riziko zasiahnutia elektrickým prúdom.

2. Nástroj nepoužívajte, ak ho nie je možné vypínačom zapnúť alebo vypnúť. Každý nástroj, ktorý sa nedá ovládať pomocou vypínača, je nebezpečný a musí sa dať opraviť.
3. Zabráňte neúmyselnému spusteniu. Pred inštaláciou akumulátora a zdvíhaním alebo prenášaním nástroja prepnite vypínač do vypnutej polohy. Prenášaním nástroja s prstom na vypínači alebo pripájaním k napájaniu so zapnutým vypínačom sa zvyšuje riziko úrazu.
4. Akumulátor(y) nelikvidujte odhodnením do ohňa. Článok môže vybuchnúť. Informácie o možných zvláštnych predpisoch týkajúcich sa likvidácie nájdete v miestnych zákonoch.
5. Akumulátor(y) neotvárajte ani neznehodnocujte. Uvoľnený elektrolyt je leptavý a môže spôsobiť poškodenie zraku alebo pokožky. V prípade poškodenia môže byť jedovatý.
6. Batériu nenabíjajte na daždi ani na mokrých miestach.

Uvedenie do prevádzky

1. Pred zostavením alebo nastavením nástroja vyberte akumulátor.
2. Pred manipuláciou so žacím nožom si nasadzte ochranné rukavice.
3. Pred inštaláciou akumulátora skontrolujte, či nástroj nie je poškodený, či nie sú uvoľnené skrutky/matice a či nie je nesprávne zostavený. Naostríte otupený žací nôž. Ak je žací nôž ohnutý alebo poškodený, vymeňte ho. Skontrolujte, či sa ovládacie páčky a prepínače dajú bez problémov používať. Rukoväti vyčistíte a vysušíte.
4. Nikdy sa nepokúšajte zapnúť nástroj, ak je poškodený alebo nie je úplne zostavený. V opačnom prípade by mohlo dôjsť k vážnym zraneniam.
5. Postroj na plece a ručné držadlo nastavte tak, aby vyhovovali postave operátora.
6. Pri vkladaní akumulátora udržujte rezací nadstavec mimo svojho tela a iných predmetov, vrátane zeme. Pri spustení sa môže otáčať a môže spôsobiť zranenie alebo poškodenie nástroja a/alebo majetku.
7. Pred zapnutím nástroja odstráňte prípadný nastavovací kľúč alebo kryt čepele. Nadstavec ponechajte v otáčajúcej sa časti nástroja môže spôsobiť úraz.
8. Sečné náradie musí byť vybavené chráničom. Nikdy nespúšťajte nástroj, ktorý má poškodené chrániče, alebo zariadenie bez nasadených chráničov!
9. Presvedčte sa, či sa na pracovisku nenachádzajú žiadne elektrické vedenia, vodné potrubia, plynové potrubia a pod., ktoré by mohli v prípade poškodenia v dôsledku používania nástroja predstavovať riziko.

Prevádzka

1. V núdzových prípadoch okamžite vypnite nástroj.
2. Ak počas prevádzky spozorujete nezvyčajný stav (napr. hluk alebo vibrácie), vypnite nástroj a vyberte akumulátor. Nástroj nepoužívajte, kým nezistíte príčinu a neodstránite ju.
3. Rezací nadstavec sa krátko po vypnutí nástroja stále otáča. Neunáhľite sa a rezacieho nadstavca sa nedotýkajte.
4. Počas prevádzky používajte postroj na plece. Nástroj pevne držte na svojej pravej strane.

5. Pri práci sa nenaťahujte do diaľky. Udržujte vždy správny postoj a rovnováhu. Dávajte pozor na skryté prekážky, ako sú pne stromov, korene a priekopy, aby ste sa nepotkli.
6. Na svahoch vždy zaujmite stabilný postoj.
7. Kráčajte, nikdy nebežte.
8. Nikdy nepracujte na rebriku ani na strome, aby ste nestratili kontrolu nad zariadením.
9. Ak bude nástroj vystavený silnému nárazu alebo ak spadne, pred pokračovaním v práci skontrolujte jeho stav. Skontrolujte funkčnosť ovládacích prvkov a bezpečnostných zariadení. V prípade poškodenia alebo v prípade pochybností požiadajte naše autorizované servisné stredisko o vykonanie kontroly a opravy.
10. Robte si prestávky, aby ste predišli strate kontroly v dôsledku únavy. Odporúčame urobiť si každú hodinu 10 až 20-minútovú prestávku.
11. Ak nechávate nástroj bez dozoru, a to aj na krátku dobu, vždy vyberte akumulátor. Nástroj bez dozoru s nainštalovaným akumulátorom môžu použiť neoprávnené osoby a môže dôjsť k závažnej nehode.
12. Ak sa medzi rezacím nadstavcom a krytom zachytí tráva alebo vetvy, pred čistením vždy vypnite nástroj a vytiahnite akumulátor. V opačnom prípade sa môže rezací nadstavec neočakávane roztočiť a spôsobíť vážne zranenie.
13. Nikdy sa nedotýkajte pohybujúcich sa nebezpečných častí, kým sa pohyblivé nebezpečné časti úplne nezastavia a kým nevyberiete akumulátor.
14. Ak rezací nadstavec zasiahne kamene alebo iné pevné predmety, ihneď vypnite nástroj. Potom vyberte akumulátor a skontrolujte rezací nadstavec.
15. Počas prevádzky často kontrolujte, či rezací nadstavec nie je prasknutý alebo poškodený. Pred kontrolou vyberte akumulátor a počkajte, kým sa rezací nadstavec úplne nezastaví. Poškodený rezací nadstavec okamžite vymeňte, a to aj v prípade, že má iba vlásočnicové praskliny.
16. Nástroj nikdy neprevádzkujte nad výškou pásu.
17. Pred začatím rezania počkajte, kým rezací nadstavec po zapnutí nástroja nedosiahne konštantnú rýchlosť.
18. Pri používaní reznej čepele robte nástrojom rovnomerné polkruhové pohyby sprava doľava ako pri práci s kosou.
19. Nástroj pri práci držte len za izolované úchopné povrchy, pretože sa môže záci nôž sa môže dostať do kontaktu so skrytými vodičmi. Žacie nože, ktoré sa dostanú do kontaktu s vodičom pod napätím, môžu spôsobiť prechod elektrického prúdu odhalenými kovovými časťami nástroja, a spôsobíť tak obsluhu zasiahnutie elektrickým prúdom.
20. Nástroj nespúšťajte, keď je do sečného náradia zamotaná zrezaná tráva.
21. Pred spustením nástroja dbajte na to, aby sa sečné náradie nedotýkalo zeme a iných prekážok, napríklad stromu.
22. Počas prevádzky nástroj vždy držte oboma rukami. Počas používania nikdy nedržte nástroj iba jednou rukou.
23. Nástroj nepoužívajte pri nepriaznivom počasi alebo keď hrozí nebezpečenstvo blesku.

Sečné náradia

1. **Nepoužívajte sečné náradie, ktoré neodporučila naša spoločnosť.**
2. **Na vykonávanú prácu použite vhodný rezací nadstavec.**
 - Nylonové sečné hlavy (hlavy strunových kosačiek) a plastové čepele sú vhodné na kosenie trávnikov.
 - Rezné čepele sú vhodné na sekanie buriny, vysokej trávy, krovia, kríkov, podrastu, húšťa a pod.
 - Nikdy nepoužívajte iné čepele, vrátane kovových viacčlánkových otočných reťazí a kľobových čepeľí. Môže dôjsť k vážnemu poraneniu.
3. **Používajte len sečné náradie, na ktorom sú vyznačené otáčky rovnaké alebo vyššie ako otáčky uvedené na nástroji.**
4. **Pri rotovaní sečného náradia vždy držte ruky, tvár a oblečenie mimo neho.** V opačnom prípade môže dôjsť k zraneniu.
5. **Používajte vždy chránič rezacieho nadstavca vhodný pre používaný rezací nadstavec.**
6. **Keď použijete reznú čepeľ, vyhňte sa „spätnému nárazu“ a vždy sa pripravte na náhodný spätný náraz. Pozrite si časť o spätnom náraze.**
7. **Keď čepeľ nepoužívate, nasadte na ňu kryt čepele. Pred používaním odstráňte kryt.**

Spätný náraz (trhnutie čepele)

1. Spätný náraz (trhnutie čepele) je náhla reakcia pri zachytení alebo zaseknutí reznej čepele. Keď k nemu dôjde, nástroj sa odhodí veľmi silno nabok alebo smerom k obsluhu a môže spôsobiť vážne zranenie.
2. K spätnému nárazu dochádza najmä pri používaní čepele v segmente 12 hodín až 2 hodiny pri sekaní tvrdých materiálov, krovín a stromov hrubších ako 3 cm.

► Obr.2

3. **Ako predchádzať spätnému nárazu:**
 1. Používajte segment v rozsahu 8 až 11 hodín.
 2. Nikdy nepoužívajte segment v rozsahu 12 hodín až 2 hodiny.
 3. Segmenty v rozsahu 11 až 12 hodín a v rozsahu 2 až 5 hodín smie používať len riadne vyškolený a skúsený operátor, ktorý tak robí na vlastné riziko.
 4. Nikdy nepoužívajte reznú čepeľ v blízkosti tvrdých predmetov, ako sú oplotenie, steny, kmene stromov a kamene.
 5. Nikdy nepoužívajte reznú čepeľ vo zvislom smere napríklad na vyzínanie okrajov a úpravu živých plotov.

► Obr.3

Vibrácie

1. **U osôb s nedostatočným prúdením krvi vystavených nadmerným vibráciám môže dôjsť k poškodeniu ciev alebo nervového systému.** Vibrácie môžu spôsobiť výskyt týchto príznakov v prstoch, rukách alebo zápästiach: „nemožnosť pohybu“ (z necitlivosti), ťpnutie, bolesť, pocit pichania, zmena sfarbenia pokožky alebo zmena pokožky. Ak sa vyskytne niektorý z týchto príznakov, navštívte lekára!

2. Na zníženie rizika „choroby bielych prstov“ majte počas obsluhy zariadenia ruky v teple a nástroj a príslušenstvo udržiavajte v dobrom stave.

Preprava

1. Pred prepravou nástroj vypnite a vyberte z neho akumulátor. Nasadte na reznú čepeľ krypt.
2. Pri preprave držte nástroj za hriadeľ v horizontálnej polohe.
3. Pri preprave nástroja vo vozidle nástroj správne zaisťte, aby ste zabránili jeho prevráteniu. V opačnom prípade môže dôjsť k poškodeniu nástroja a ďalšieho nákladu.

Údržba

1. Servis nástroja zverte nášmu autorizovanému servisnému stredisku, ktoré vždy používa len originálne náhradné diely. Nesprávnou opravou a nedostatočnou údržbou sa skracuje životnosť nástroja a zvyšuje sa riziko úrazov.
2. Pred vykonávaním údržby alebo opravy, alebo pred čistením nástroja ho vždy vypnite a vyberte akumulátor.
3. Pri manipulácii s reznou čepeľou vždy používajte ochranné rukavice.
4. Nástroj vždy očistite od špiny a prachu. Na čistenie nikdy nepoužívajte benzin, benzínový čistič, riedidlo, alkohol ani žiadne iné podobné látky. Použitie týchto látok môže spôsobiť deformáciu alebo popraskanie plastových prvkov.
5. Po každom použití dotiahnite všetky skrutky a matice.
6. Nepokúšajte sa vykonávať žiadnu údržbu ani opravu, ktorá nie je popísaná v návode na používanie. O vykonanie takýchto prác požiadajte naše autorizované servisné stredisko.
7. Vždy používajte iba naše originálne náhradné diely a príslušenstvo. Používanie dielov a príslušenstva dodávaného inými spoločnosťami môže zapríčiniť poškodenie nástroja, majetku a/alebo vážne zranenie osôb.
8. O vykonanie kontroly a údržby nástroja v pravidelných intervaloch požiadajte naše autorizované servisné stredisko.
9. Nástroj vždy udržiavajte v dobrom pracovnom stave. Nedostatočná údržba môže mať za následok nižší výkon a skrátenie životnosti nástroja.

Uskladnenie

1. Pred uskladnením nástroja vykonajte úplné vyčistenie a údržbu. Vyberte akumulátor. Nasadte na reznú čepeľ krypt.
2. Nástroj uskladnite na dobre vetranom, vyvýšenom alebo uzamknutom mieste mimo dosahu detí.
3. Nástroj o nič neopierajte, napríklad o stenu. Inak môže náhle spadnúť a spôsobiť zranenie.

Prvá pomoc

1. Vždy majte v blízkosti k dispozícii lekárničku. Všetky použité položky z lekárničky prvej pomoci ihneď doplňte.
2. Pri požiadaní o pomoc poskytnite nasledovné informácie:
 - Miesto úrazu
 - Čo sa stalo
 - Počet zranených osôb
 - Charakter poranenia
 - Vaše meno

Dôležité bezpečnostné a prevádzkové pokyny pre akumulátor

1. Pred použitím akumulátora si prečítajte všetky pokyny a výstavné označenia na (1) nabíjačke akumulátorov, (2) akumulátore a (3) produkte používajúcom akumulátor.
2. Akumulátor nerozoberajte.
3. Ak sa doba prevádzky príliš skráti, ihneď prerušte prácu. Môže nastať riziko prehriatia, možných popálením či dokonca explózie.
4. V prípade zasiahnutia očí elektrolytom ich vypláchnite čistou vodou a okamžite vyhľadajte lekársku pomoc. Môže dôjsť k strate zraku.
5. Akumulátor neskratujte:
 - (1) Nedotýkajte sa konektorov žiadnym vodivým materiálom.
 - (2) Neskladujte akumulátor v obale s inými kovovými predmetmi, napríklad klíncami, mincami a pod.
 - (3) Akumulátor nevystavujte vode ani dažďu. Skrat akumulátora môže spôsobiť veľký tok prúdu, prehriatie, možné popáleniny či dokonca poruchu.
6. Neskladujte nástroj ani akumulátor na miestach s teplotou presahujúcou 50 °C (122 °F).
7. Akumulátor nespálujte, ani keď je vážne poškodený alebo úplne opotrebovaný. Akumulátor môže v ohni explodovať.
8. Dávajte pozor, aby akumulátor nespadol, a nevystavujte ho nárazom.
9. Nepoužívajte poškodený akumulátor.
10. Litium-iónové akumulátory, ktoré sú súčasťou náradia, podliehajú požiadavkám legislatívy o nebezpečnom tovare.

V prípade obchodnej prepravy, napr. dodanie tretími stranami či špeditériami, sa musia dodržiavať špeciálne požiadavky na zabalenie a označenie. Pred prípravou položky na odoslanie sa vyžaduje konzultácia s odborníkom na nebezpečný materiál. Taktiež treba dodržiavať potenciálne podrobnejšie predpisy príslušnej krajiny. Prelepte alebo zakryte otvorené kontakty a zabaľte akumulátor tak, aby sa v balíku nemohol voľne pohybovať.
11. Akumulátor pri likvidácii odstráňte z nástroja a zlikvidujte ho na bezpečnom mieste. Akumulátor zlikvidujte v súlade s miestnymi nariadeniami.
12. Akumulátory používajte iba s výrobkami uvedenými spoločnosťou Makita. Inštalácia akumulátorov do nevyhovujúcich výrobkov môže spôsobiť požiar, nadmerné teplo, výbuch alebo únik elektrolytu.
13. Ak sa nástroj dlhší čas nepoužíva, odstráňte z neho akumulátor.

TIETO POKYNY USCHOVAJTE.

▲POZOR: Používajte len originálne akumulátory od spoločnosti Makita. Používanie batérií, ktoré nie sú od spoločnosti Makita, alebo upravených batérií môže spôsobiť výbuch batérie a následný požiar, zranenie osôb alebo poškodeniu majetku. Následkom bude aj zrušenie záruky od spoločnosti Makita na nástroj a nabíjačku od spoločnosti Makita.

Rady na udržanie maximálnej životnosti akumulátora

1. Akumulátor nabíjajte ešte predtým, ako sa úplne vybije. Vždy prerušte prácu s nástrojom a nabíjajte akumulátor, keď spozorujete nižší výkon nástroja.
2. Nikdy nenabíjajte plne nabitý akumulátor. Prebíjanie skracuje životnosť akumulátora.
3. Akumulátor nabíjajte pri izbovej teplote 10 °C – 40 °C (50 °F – 104 °F). Pred nabíjaním nechajte horúci akumulátor vychladnúť.
4. Litium-iónový akumulátor nabíjajte, ak ste ho nepoužívali dlhšie ako šesť mesiacov.

POPIS SÚČASTÍ

► Obr.4

1	Indikátor otáčok	2	Indikátor ADT (ADT = Technológia automatického krútiaceho momentu pohonu)	3	Výstražný indikátor	4	Hlavný vypínač
5	Prepínač zmeny smeru	6	Akumulátor	7	Poistná páčka	8	Spúšťací spínač
9	Záves	10	Rukoväť	11	Zábrana (špecifické pre danú krajinu)	12	Chránič
13	Poistná páčka (len DUR191U a DUR191L)	14	Kryt spojky (len DUR191U a DUR191L)	15	Kryt (len DUR191U a DUR191L)	16	Postroj na plecía

OPIS FUNKCIÍ

▲VAROVANIE: Pred úpravou alebo kontrolou funkčnosti náradia vždy skontrolujte, či je náradie vypnuté a akumulátor je vybratý. Ak sa náradie nevypne a akumulátor sa nevyberie, v prípade náhodného spustenia hrozí vážne zranenie.

Inštalácia alebo demontáž akumulátora

▲POZOR: Pred inštaláciou alebo vybratím akumulátora nástroj vždy vypnite.

▲POZOR: Pri inštalovaní a vyberaní akumulátora pevne uchopíte nástroj a akumulátor. Ak nástroj a akumulátor pevne neuchopíte, môže to mať za následok vyšmyknutie z vašich rúk s dôsledkom poškodenia nástroja a akumulátora, ako aj osobných poranení.

- **Obr.5:** 1. Červený indikátor 2. Tlačidlo 3. Akumulátor

Ak chcete vybrať akumulátor, vysuňte ho z nástroja, pričom posuňte tlačidlo na prednej strane akumulátora. Akumulátor vložíte tak, že jazýček akumulátora zarovnáte s drážkou v kryte a zasuniete ho na miesto. Zatlačte ho úplne, kým zakliknutím nezapadne na miesto. Ak vidíte červený indikátor na hornej strane tlačidla, nie je správne zapadnutý.

▲POZOR: Akumulátor vždy nainštalujte úplne, až kým nie je vidieť červený indikátor. V opačnom prípade môže náhodne vypadnúť z nástroja a ublížiť vám alebo osobám v okolí.

▲POZOR: Pri inštalovaní akumulátora nepoužívajte silu. Ak sa akumulátor nedá zasunúť ľahko, nevkladáte ho správne.

Systém na ochranu nástroja/akumulátora

Nástroj je vybavený systémom ochrany nástroja/akumulátora. Tento systém automaticky vypne napájanie motora s cieľom predĺžiť životnosť nástroja a akumulátora. Nástroj sa počas prevádzky automaticky zastaví v prípade, ak sa nástroj dostane do jedného z nasledujúcich stavov:

Výstražný indikátor			Stav
Farba	● Svieti	○ Bliká	
Červená	●	○	Preťaženie
Červená	●	○	Prehriatie
Červená	●	○	Prílišné vybitie

Ochrana proti preťaženiu

Ak sa nástroj dostane do niektorej z nasledovných situácií, automaticky sa zastaví a výstražný indikátor bude blikat' načerveno:

- Nástroj je preťažený v dôsledku namotanej buriny alebo iných nečistôt.
- Sečné náradie je zablokované alebo došlo k spätnému nárazu.
- Dôjde k zapnutiu hlavného vypínača pri potiahnutí spúšťacieho spínača.

V tomto prípade uvoľnite spúšťací spínač a v prípade potreby odstráňte namotanu burinu alebo drobné kúsky. Potom znova potiahnite spúšťací spínač a pokračujte v činnosti.

▲POZOR: Ak je potrebné odstrániť z nástroja namotanu burinu alebo uvoľniť zablokované sečné náradie, najskôr vypnite nástroj.

Ochrana náradia/akumulátora pred prehrievaním

Ak sa nástroj alebo akumulátor prehreje, nástroj sa automaticky zastaví. Ak sa nástroj alebo akumulátor prehrejú, indikátor otáčok a indikátor ADT zhasnú a výstražný indikátor sa rozsvieti načerveno. Nechajte nástroj a/alebo akumulátor pred opätovným spustením nástroja vychladnúť.

Ochrana pred nadmerným vybitím

Keď sa kapacita akumulátora zníži, nástroj sa automaticky zastaví. Indikátor otáčok a indikátor ADT zhasnú a výstražný indikátor začne blikať načerveno.

Ak nástroj nefunguje ani po použití vypínačov, vyberte akumulátor z nástroja a nabite ho.

Indikácia zvyšnej kapacity akumulátora

Len na akumulátory s indikátorom

► **Obr.6:** 1. Indikátory 2. Tlačidlo kontroly

Stlačením tlačidla kontroly na akumulátore zobrazíte zostávajúcu kapacitu akumulátora. Indikátory sa na niekoľko sekúnd rozsvietia.

Indikátory			Zostávajúca kapacita
Svieti	Nesvieti	Bliká	
■	□	◐	75 % až 100 %
■ ■ ■ ■	□	□	50 % až 75 %
■ ■	□ □	□ □	25 % až 50 %
■	□ □ □ □	□ □	0 % až 25 %
◐	□ □ □ □	□ □	Akumulátor nabite.
■ ■ □ □	□ □	■ ■	Akumulátor je možno chybný.

POZNÁMKA: V závislosti od podmienok používania a v závislosti od okolitej teploty sa môže zobrazenie mierne odlišovať od skutočnej kapacity.

Hlavný vypínač

Nástroj zapnete poklepaním na hlavný vypínač. Nástroj vypnete opätovným stlačením a podržaním hlavného vypínača, kým indikátor otáčok nezhasne.

► **Obr.7:** 1. Indikátor otáčok 2. Hlavný vypínač

POZNÁMKA: Nástroj sa automaticky vypne, ak sa počas určitého času nepoužije.

Zapínanie

VAROVANIE: Pred inštaláciou akumulátora do nástroja vždy skontrolujte, či sa spúšťači spínač riadne uvádza do chodu a pri uvoľnení sa vracia do polohy „OFF“ (VYP.). Prevádzka nástroja s nesprávne fungujúcim spúšťačím spínačom môže viesť ku strate ovládania a k vážnym osobným poraneniam.

POZOR: Počas prenášania nikdy nemajte prst na spínači. Zariadenie sa môže nečakane spustiť a spôsobiť zranenie.

Spúšťači spínač je pred náhodným potiahnutím chránený poistnou páčkou.

Ak chcete zariadenie spustiť, uchopte rukoväť (poistná páčka sa pri uchopení uvoľní) a potom potiahnite spúšťači spínač. Ak chcete zariadenie zastaviť, uvoľnite spúšťači spínač.

DUR190U a DUR191U

► **Obr.8:** 1. Poistná páčka 2. Spúšťači spínač

DUR190L a DUR191L

► **Obr.9:** 1. Poistná páčka 2. Spúšťači spínač

POZNÁMKA: Ak nástroj necháte určitý čas v nečinnom stave, automaticky sa vypne.

Úprava otáčok

Otáčky nástroja môžete zvoliť ťuknutím na hlavný vypínač. Pri každom ťuknutí na hlavný vypínač sa zmení úroveň otáčok.

► **Obr.10:** 1. Indikátor otáčok 2. Hlavný vypínač 3. Indikátor ADT

Indikátor otáčok	Režim	Úroveň otáčok
	ADT	3 500 - 6 000 min ⁻¹
3 2 1	Vysoké otáčky	6 000 min ⁻¹
3 2 1	Stredne vysoké otáčky	5 100 min ⁻¹
3 2 1	Nízke otáčky	3 500 min ⁻¹

POZNÁMKA: Keď nastavíte technológiu automatického krútiaceho momentu pohonu (ADT), zapne sa indikátor ADT a nástroj bude bežať pri optimálnej úrovni otáčok a krútiaceho momentu vzhľadom na stav kosenej trávy.

Tlačidlo spätného chodu na odstránenie nečistôt

VAROVANIE: Pred odstránením namotanej buriny alebo úlomkov, ktoré nemožno odstrániť pomocou funkcie spätného chodu vypnite náradie a vyberte z neho akumulátor. Ak sa náradie nevypne a akumulátor sa nevyberie, v prípade náhodného spustenia hrozí vážne zranenie.

Toto náradie je vybavené tlačidlom spätného chodu, ktoré slúži na zmenu smeru otáčania. Služí len na odstránenie buriny a úlomkov namotaných na náradí. Ak chcete zmeniť smer otáčania, ťuknite na tlačidlo spätného chodu a keď sa sečné náradie zastaví, potiahnite spúšťací spínač a držte stlačenú poistnú páčku. Indikátor otáčok a indikátor ADT začne blikať a po potiahnutí spúšťacieho spínača sa sečné náradie začne otáčať v opačnom smere. Ak chcete obnoviť štandardné otáčanie, uvoľnite spúšť a počkajte, kým sa sečné náradie zastaví.

► **Obr.11:** 1. Indikátor otáčok 2. Indikátor ADT
3. Prepínač zmeny smeru

POZNÁMKA: V režime otáčania v opačnom smere náradie funguje len krátkodobo, potom sa automaticky zastaví.

POZNÁMKA: Po zastavení náradia sa po opätovnom spustení náradia otáčanie vráti do štandardného smeru otáčania.

POZNÁMKA: Ak klepnete na tlačidlo zmeny smeru chodu, kým sa sečné náradie stále otáča, nástroj sa zastaví a bude pripravený na otáčanie v opačnom smere.

Elektrická brzda

Tento nástroj je vybavený elektrickou brzdou. Ak sa nástroju nepretržite nedarí rýchlo zastaviť po uvoľnení spúšťacieho spínača, nechajte si nástroj opraviť v našom servisnom stredisku.

POZOR: Brzdíaci systém nie je náhradou za chránič. Nástroj nikdy nepoužívajte bez chrániča. Sečné náradie bez krytu môže spôsobiť vážne poranenie osôb.

ZOSTAVENIE

VAROVANIE: Pred vykonaním akejkoľvek práce na náradí vždy skontrolujte, či je vypnuté a akumulátor vybrať. Ak sa náradie nevypne a akumulátor sa nevyberie, v prípade náhodného spustenia hrozí vážne zranenie.

VAROVANIE: Náradie nikdy nespúšťajte, ak nie je úplne zmontované. Prevádzka čiastočne zmontovaného náradia môže mať pri náhodnom naštartovaní vážne následky.

Inštalácia rukoväti

Len pre model DUR190U a DUR191U

1. Zasuňte tyčku rukoväti do držadla. Zarovnajzte otvor na skrutku na držadle s otvorom na tyči. Skrutku bezpečne utiahnite.

► **Obr.12:** 1. Svorka 2. Skrutka 3. Rukoväť

2. Rukoväť umiestnite medzi príchytka rukoväti a držiak rukoväti. Rukoväť nastavte do takého uhla, ktorý zabezpečuje pohodlnú pracovnú polohu, a následne ju zaistíte skrutkami s hlavou s vnútorným šesťhranom.

► **Obr.13:** 1. Skrutka s hlavou s vnútorným šesťhranom 2. Príchytka rukoväti 3. Držiak rukoväti

Pripevnenie zábrany

Pre modely DUR190L a DUR191L

Ak je súčasťou vášho modelu zábrana, pripevnite ju k rukoväti pomocou skrutky na zábrane.

► **Obr.14:** 1. Zábrana 2. Skrutka

POZOR: Po namontovaní zábrany ju neodstraňujte. Zábrana funguje ako bezpečnostná časť, ktorá vám zabráni, aby ste sa nechtiac dotkli reznej čepele.

Montáž tyče nadstavca

Len pre model DUR191U a DUR191L

Nasaďte tyč nadstavca na napájajúcu jednotku.

1. Otočte páčku v smere šípky znázornenej na obrázku.

► **Obr.15:** 1. Páčka

2. Potiahnite kryt spojky nahor a vložte tyč nadstavca tak, aby bol výčnelok na tyči (na strane sečného náradia) zarovnaný s vyhlbenou časťou spojky.

► **Obr.16:** 1. Poistná páčka 2. Kryt spojky 3. Tyč

Skontrolujte, či je povrch poistnej páčky paralelný vzhľadom na tyč.

3. Otočte páčku v smere šípky znázornenej na obrázku.

► **Obr.17:** 1. Páčka

Tyč odmontujte tak, že otočíte páčku v smere šípky znázornenej na obrázku, stlačíte poistnú páčku a tyč vytiahnete.

► **Obr.18:** 1. Páčka 2. Poistná páčka 3. Tyč

Inštalácia chrániča

VAROVANIE: Náradie nikdy nepoužívajte bez chrániča nainštalovaného na svojom mieste (pozri obrázok). Ak tak neurobite, môže to mať za následok vážne poranenie osôb.

POZOR: Dávajte pozor, aby ste sa o zariadenie na odseknutie nylonovej struny neporanili.

Chránič pripevnite k svorku pomocou skrutiek.

► **Obr.19:** 1. Svorka 2. Chránič 3. Rezačka

Inštalácia sečného náradia

POZNÁMKA: Typ sečného náradia dodávaný ako štandardné príslušenstvo sa líši v závislosti od krajiny. V niektorých krajinách sa sečné náradie nedodáva.

POZNÁMKA: Otočte nástroj naopak, aby ste mohli jednoduchým spôsobom vymeniť sečné náradie.

Žací nůž

▲POZOR: Pri manipulovaní so žacím nožom majte vždy rukavice a na čepeľ nasadte kryt.

▲POZOR: Žací nůž musí byť dobre vyhladený a nesmie byť nikdy prasknutý ani nalomenný. Ak žací nůž počas používania narazí na kameň, vypnite nástroj a okamžite žací nůž skontrolujte.

▲POZOR: Používajte žací nůž len s takým priemerom, aký je uvedený v časti technickými špecifikáciami.

► **Obr.20:** 1. Matica 2. Kužeľová vložka 3. Upínacia podložka 4. Žací nůž 5. Vreteno 6. Chránič 7. Tlačidlo zaistenia vretena

1. Žací nůž upevnite na ochranný kryt tak, aby šípky na žacom noži a chrániči smerovali rovnakým smerom.

► **Obr.21:** 1. Šípka

2. Na žací nůž položte upínaciu podložku a kužeľovú vložku.

3. Držte stlačené tlačidlo zaistenia vretena a zároveň pomocou nástrčného kľúča bezpečne utiahnite maticu.

► **Obr.22:** 1. Tlačidlo zaistenia vretena 2. Nástrčný kľúč 3. Povolíť 4. Utiahnúť

Ak chcete žací nůž vybrať, držte stlačené tlačidlo zaistenia vretena a zároveň uvoľnite maticu.

Nylonová sečná hlava

UPOZORNENIE: Používajte originálnu nylonovú sečnú hlavu značky Makita.

Držte stlačené tlačidlo zaistenia vretena a zároveň namontujte nylonovú sečnú hlavu na vreteno a utiahnite pevným otočením rukou.

► **Obr.23:** 1. Nylonová žacia hlava 2. Vreteno 3. Tlačidlo zaistenia vretena 4. Povolíť 5. Utiahnúť

Ak chcete nylonovú sečnú hlavu vybrať, uvoľnite ju, pričom držte stlačené tlačidlo zaistenia vretena.

Plastová čepeľ

UPOZORNENIE: Používajte originálnu plastovú čepeľ značky Makita.

Držte stlačené tlačidlo zaistenia vretena a zároveň namontujte plastovú čepeľ na vreteno a utiahnite pevným otočením rukou.

► **Obr.24:** 1. Plastová čepeľ 2. Vreteno 3. Tlačidlo zaistenia vretena 4. Povolíť 5. Utiahnúť

Ak chcete plastovú čepeľ vybrať, uvoľnite ju, pričom držte stlačené tlačidlo zaistenia vretena.

POZNÁMKA: Na montáž/demontáž sečného náradia môžete použiť dodaný šesťhranný imbusový kľúč. Na zaistenie vretena zasuňte šesťhranný imbusový kľúč do otvoru znázornenom na obrázku.

► **Obr.25:** 1. Šesťhranný imbusový kľúč 2. Otvor

▲POZOR: Na montáž/demontáž sečného náradia vždy používajte dodané imbusové kľúče.

▲POZOR: Po inštalácii sečného náradia nezabudnite vytiahnuť šesťhranný imbusový kľúč vložený do sečného náradia.

Nastavenie polohy rukoväti/závesu

Nastavte polohu rukoväti a závesu tak, aby ste mohli s nástrojom pohodlne manipulovať.

Pre modely DUR190U a DUR191U

Nastavte polohu rukoväti/závesu tak, aby bol nástroj v rozsahu znázornenom nižšie.

► **Obr.26**

1	Poloha závesu od zeme
2	Poloha sečného náradia zo zeme
3	Horizontálna vzdialenosť medzi závesom a nezakrytou časťou sečného náradia

Uvoľnite skrutky s vnútorným šesťhranom v spodnej časti držiaka rukoväti. Posuňte rukoväť do pohodlnej pracovnej pozície a potom dotiahnite skrutky.

► **Obr.27:** 1. Držiak rukoväti 2. Skrutka s hlavou s vnútorným šesťhranom 3. Rukoväť

Uvoľnite skrutky s vnútorným šesťhranom na závese. Posuňte záves do pohodlnej pracovnej polohy a potom dotiahnite skrutky.

► **Obr.28:** 1. Skrutka s hlavou s vnútorným šesťhranom 2. Záves

Pre modely DUR190L a DUR191L

Uvoľnite skrutky s vnútorným šesťhranom na rukoväti. Posuňte rukoväť do pohodlnej pracovnej pozície a potom dotiahnite skrutky.

► **Obr.29:** 1. Skrutka s hlavou s vnútorným šesťhranom 2. Rukoväť

Uvoľnite skrutku s vnútorným šesťhranom na závese. Posuňte záves do pohodlnej pracovnej polohy a potom utiahnite skrutku.

► **Obr.30:** 1. Skrutka s hlavou s vnútorným šesťhranom 2. Záves

Uskladnenie šesťhranného kľúča

Keď šesťhranný kľúč nepoužívate, odložte ho podľa znázornenia na obrázku, aby sa neustratil.

► **Obr.31:** 1. Šesťhranný kľúč

Len pre model DUR190L a DUR191L

► **Obr.32:** 1. Rukoväť 2. Šesťhranný imbusový kľúč

PREVÁDZKA

Pripojenie popruhu na plece

▲POZOR: Vždy používajte postroj pripravený k nástroju. Pred prácou si prispôbte ramenný postroj podľa vašich telesných proporcií, aby nebola práca únavná.

▲POZOR: Pred používaním skontrolujte, či je ramenný postroj správne pripravený k vešiaku na závese.

Pripojte háčik na ramennom postroji k závesu a nasadte si ramenný postroj. Skontrolujte, či ramenný postroj bezpečne drží zariadenie.

DUR190U a DUR191U

► Obr.33: 1. Háčik 2. Záves

DUR190L a DUR191L

► Obr.34: 1. Háčik 2. Záves

Odpojenie

Ramenný postroj disponuje systémom na rýchle odpojenie.

DUR190U a DUR191U

► Obr.35: 1. Pásik

Potiahnutím za pásik uvoľníte zariadenie z ramenného postroja.

DUR190L a DUR191L

► Obr.36: 1. Spona

Zariadenie z ramenného postroja uvoľníte jednoduchým stlačením bokov spony.

Správna manipulácia s nástrojom

VAROVANIE: Náradie vždy umiestnite na pravú stranu od vás. Správna poloha náradia umožňuje maximálne ovládanie a znižuje riziko vážnych osobných zranení v dôsledku spätného nárazu.

VAROVANIE: Počas celej doby buďte veľmi opatrní a udržujte si nad náradím kontrolu. Zabráňte, aby sa náradie vychýlilo smerom k vám alebo smerom ku komukoľvek v okolí miesta vykonávania práce. Opomenutie dodržiavať ovládanie náradia môže viesť k vážnemu poraneniu okolostojacich a obsluhy.

VAROVANIE: Na predchádzanie nehodám dodržujte odstup 15 m (50 ft) medzi jednotlivými používateľmi, keď v jednej oblasti pracujú dvaja alebo viacerí používatelia. Taktiež určte osobu, ktorá bude sledovať vzdialenosť medzi používateľmi. Ak do pracovnej oblasti vstúpi osoba alebo zvieratá, okamžite prerušte používanie.

POZOR: Ak pri používaní sečnej náradie náhodne narazí na kameň alebo tvrdý predmet, zariadenie zastavte a skontrolujte, či nedošlo k poškodeniu. Ak došlo k poškodeniu sečného náradia, okamžite ho vymeňte. Používaním poškodeného sečného náradia môže viesť k vážnemu poraneniu osôb.

POZOR: Pri kosení trávy odstráňte kryt čepele zo žacieho noža.

Správna poloha a manipulácia umožňuje optimálnu kontrolu a znižuje riziko zranení v dôsledku spätného nárazu.

DUR190U a DUR191U

► Obr.37

DUR190L a DUR191L

► Obr.38

Pri použití nylonovej sečnej hlavy (typ s mechanizmom na vysúvanie struny úderom)

Nylonová sečná hlava je žacia hlava s dvojitou strunou s mechanizmom na vysúvanie struny úderom.

Ak chcete vysunúť nylonovú strunu, pri otáčaní žacej hlavy ňou klepnite o zem.

► Obr.39: 1. Najúčinnější žacia plocha

UPOZORNENIE: Vysunutie úderom nefunguje, ak sa nylonová sečná hlava neotáča.

POZNÁMKA: Pokiaľ sa nylonová struna pri klepnutí hlavou nevysunie, odviňte/vymeňte nylonovú strunu podľa postupov uvedených v časti pre údržbu.

ÚDRŽBA

VAROVANIE: Pred vykonávaním kontroly alebo údržby náradie vždy vypnite a vyberte z neho akumulátor. Ak sa náradie nevypne a akumulátor sa nevyberie, v prípade náhodného spustenia hrozí vážne zranenie.

UPOZORNENIE: Nepoužívajte benzín, riedidlo, alkohol ani podobné látky. Mohlo by to spôsobiť zmenu farby, deformácie alebo praskliny.

Ak chcete udržať BEZPEČNOSŤ a BEZPORUCHOVOSŤ výrobku, prenechajte opravy, údržbu a nastavenie na autorizované alebo továrenské servisné centrá Makita, ktoré používajú len náhradné diely značky Makita.

Výmena nylonovej struny

VAROVANIE: Používajte len nylonovú strunu s priemerom uvedeným v tomto návode na používanie. Nikdy nepoužívajte hrubšie lanko, kovový drôt, povraz ani nič podobné. Ak to nevykonáte, môže to spôsobiť poškodenie nástroja a vážne zranenie.

VAROVANIE: Pri výmene nylonovej struny vždy odoberte nylonovú sečnú hlavu z nástroja.

VAROVANIE: Kryt nylonovej sečnej hlavy musí byť správne pripevnený ku krytu, ako je opísané v tomto návode. Ak sa kryt nepripevní správne, nylonová sečná hlava môže odletieť a spôsobiť vážne zranenie.

Ak sa nylonová struna už nevysúva, vymeňte ju. Spôsob výmeny nylonovej struny sa líši v závislosti od typu nylonovej sečnej hlavy.

95-M10L

► Obr.40

Výmena plastovej čepele

Ak je plastová čepele opotrebovaná alebo zlomená, vymeňte ju.

► Obr.41

Počas inštalácie plastovej čepele nasadte čepeľ tak, aby sa smer šípky na čepeľi zhodoval so smerom šípky na chrániči.

► Obr.42: 1. Šípka na chrániči 2. Šípka na čepeľi

RIEŠENIE PROBLÉMOV

Pred požiadanim o vykonanie opravy najprv vykonajte vlastnú kontrolu. Ak zistíte problém, ktorý nie je vysvetlený v návode, nepokúšajte sa nástroj rozoberať. Namiesto toho požiadajte o opravu autorizované servisné strediská spoločnosti Makita, ktoré používajú len náhradné diely značky Makita.

Chybný stav	Predpokladaná príčina (porucha)	Náprava
Motor nebeží.	Nie je nainštalovaný akumulátor.	Nainštalujte akumulátor.
	Problém akumulátora (podpätie)	Dobite akumulátor. Pokiaľ dobíjanie nie je účinné, vymeňte akumulátor.
	Systém pohonu nefunguje správne.	O opravu požiadajte miestne autorizované servisné stredisko.
Motor po krátkom používaní zastane.	Nabitie akumulátora nie je dostatočné.	Dobite akumulátor. Pokiaľ dobíjanie nie je účinné, vymeňte akumulátor.
	Prehrievanie.	Prestaňte náradie používať a nechajte ho vychladnúť.
Nedosahuje hodnotu maximálnych otáčok za minútu.	Akumulátor nie je nainštalovaný správne.	Akumulátor nainštalujte podľa popisu v tomto návode.
	Výkon akumulátora klesá.	Dobite akumulátor. Pokiaľ dobíjanie nie je účinné, vymeňte akumulátor.
	Systém pohonu nefunguje správne.	O opravu požiadajte miestne autorizované servisné stredisko.
Žací nástroj sa neotáča: ⇒ okamžite náradie zastavte!	Medzi kryt a sečné náradie sa zasekol cudzí predmet, ako napríklad konár.	Odstráňte cudzí predmet.
	Systém pohonu nefunguje správne.	O opravu požiadajte miestne autorizované servisné stredisko.
Nadmerné vibrácie: ⇒ okamžite náradie zastavte!	Jeden koniec nylonovej struny sa zlomil.	Nylonovou žacou hlavou pri otáčaní klepnite o zem a struna sa vysunie.
	Systém pohonu nefunguje správne.	O opravu požiadajte miestne autorizované servisné stredisko.
Žací nástroj a motor sa nezastavia: ⇒ Ihneď odnímate akumulátor!	Elektrická alebo elektronická chyba.	Odnímate akumulátor a o opravu požiadajte miestne autorizované servisné stredisko.

VOLITEĽNÉ PRÍSLUŠENSTVO

VAROVANIE: Používajte len odporúčané príslušenstvo alebo nástavce uvedené v tejto príručke. Používanie iného príslušenstva a nástavcov môže mať za následok vážne poranenia osôb.

POZOR: Pre váš nástroj Makita, opísaný v tomto návode, doporučujeme používať toto príslušenstvo a nástavce. Pri použití iného príslušenstva či nástavcov môže hroziť nebezpečenstvo zranenia osôb. Príslušenstvo a nástavce sa môžu používať len na účely pre ne stanovené.

Ak potrebujete bližšie informácie týkajúce sa tohoto príslušenstva, obráťte sa na vaše miestne servisné stredisko firmy Makita.

- Žací nôž
- Nylonová žacia hlava
- Nylonová struna (žacia struna)
- Plastová čepeľ
- Originálna batéria a nabíjačka Makita

POZNÁMKA: Niektoré položky zo zoznamu môžu byť súčasťou balenia nástrojov vo forme štandardného príslušenstva. Rozsah týchto položiek môže byť v každej krajine odlišný.

SPECIFIKACE

Model:	DUR190U	DUR190L	DUR191U	DUR191L
Typ držadla	Řídicíková držadla	Třmenové držadlo	Řídicíková držadla	Třmenové držadlo
Otáčky bez zatížení	3: 6 000 min ⁻¹ 2: 5 100 min ⁻¹ 1: 3 500 min ⁻¹			
Celková délka (bez vyžínacího nástroje)	1 775 mm			
Průměr nylonové struny	2,0 – 2,4 mm			
Vhodný vyžínací nástroj a průměr vyžínání	3zubý břit (č. d. 191J34-5)	230 mm		
	4zubý břit (č. d. 729025-2)	230 mm		
	Strunová hlava (č. d. 126674-0)	300 mm		
	Plastový nůž (č. d. 126642-3)	230 mm		
Jmenovité napětí	18 V DC			
Hmotnost netto	3,1 - 3,4 kg	2,9 - 3,2 kg	3,4 - 3,7 kg	3,2 - 3,5 kg

- Vzhledem k neustálému výzkumu a vývoji zde uvedené technické údaje podléhají změnám bez upozornění.
- Specifikace se mohou pro různé země lišit.
- Hmotnost se může lišit v závislosti na nástavcích a přídatných zařízeních, včetně akumulátoru. Nejlehčí a nejtěžší kombinace, dle EPTA-Procedure 01/2014, jsou uvedeny v tabulce níže.

Použitelný akumulátor a nabíječka

Akumulátor	BL1815N / BL1820 / BL1820B / BL1830 / BL1830B / BL1840 / BL1840B / BL1850 / BL1850B / BL1860B
Nabíječka	DC18RC / DC18RD / DC18RE / DC18SD / DC18SE / DC18SF / DC18SH

- V závislosti na regionu vašeho bydliště nemusí být některé akumulátory a nabíječky k dispozici.

VAROVÁNÍ: Používejte pouze výše uvedené akumulátory a nabíječky. Použití jiných akumulátorů a nabíječek může způsobit zranění a/nebo požár.

Doporučený adaptér baterie

Akumulátorový konvertor	PDC01
-------------------------	-------

- V závislosti na regionu vašeho bydliště nemusí být adaptéry baterie uvedené výše k dispozici.
- Před použitím adaptéru baterie si přečtěte pokyny a varovné symboly na adaptéru baterie.

Hlučnost

Model DUR190U

Vyžínací nástroj	Hladina akustického tlaku (L_{pA}) dB(A)		Hladina akustického výkonu (L_{wA}) dB(A)		Příslušná norma
	L_{pA} dB(A)	Nejistota (K) dB(A)	L_{wA} dB(A)	Nejistota (K) dB(A)	
4zubý břit	77,0	3,9	91,6	2,4	ISO22868 (ISO11806-1)
Strunová hlava	74,0	1,9	87,1	0,9	ISO22868 (ISO11806-1)/ EN50636-2-91
Plastové nože	75,6	1,3	85,9	2,1	ISO22868 (ISO11806-1)/ EN50636-2-91

Model DUR190L

Vyžínací nástroj	Hladina akustického tlaku (L_{pA}) dB(A)		Hladina akustického výkonu (L_{wA}) dB(A)		Příslušná norma
	L_{pA} dB(A)	Nejistota (K) dB(A)	L_{wA} dB(A)	Nejistota (K) dB(A)	
4zubý břit	77,0	3,9	91,6	2,4	ISO22868 (ISO11806-1)
Strunová hlava	74,0	1,9	87,1	0,9	ISO22868 (ISO11806-1)/ EN50636-2-91
Plastový nůž	75,6	1,3	85,9	2,1	ISO22868 (ISO11806-1)/ EN50636-2-91

Model DUR191U

Vyžínací nástroj	Hladina akustického tlaku (L_{pA}) dB(A)		Hladina akustického výkonu (L_{wA}) dB(A)		Příslušná norma
	L_{pA} dB(A)	Nejistota (K) dB(A)	L_{wA} dB(A)	Nejistota (K) dB(A)	
4zubý břit	77,0	3,9	91,6	2,4	ISO22868 (ISO11806-1)
Strunová hlava	74,0	1,9	87,1	0,9	ISO22868 (ISO11806-1)/ EN50636-2-91
Plastový nůž	75,6	1,3	85,9	2,1	ISO22868 (ISO11806-1)/ EN50636-2-91

Model DUR191L

Vyžínací nástroj	Hladina akustického tlaku (L_{pA}) dB(A)		Hladina akustického výkonu (L_{wA}) dB(A)		Příslušná norma
	L_{pA} dB(A)	Nejistota (K) dB(A)	L_{wA} dB(A)	Nejistota (K) dB(A)	
4zubý břit	77,0	3,9	91,6	2,4	ISO22868 (ISO11806-1)
Strunová hlava	74,0	1,9	87,1	0,9	ISO22868 (ISO11806-1)/ EN50636-2-91
Plastový nůž	75,6	1,3	85,9	2,1	ISO22868 (ISO11806-1)/ EN50636-2-91

- Přestože je výše uvedená hladina akustického tlaku 80 dB (A) či méně, může tato hodnota při zatížení hladinu 80 dB (A) překročit. Používejte ochranu sluchu.

POZNÁMKA: Celková(é) hodnota(y) emisí hluku byla(y) změřena(y) v souladu se standardní zkušební metodou a dá se použít k porovnání nářadí mezi sebou.

POZNÁMKA: Hodnotu(y) deklarovaných emisí hluku lze také použít k předběžnému posouzení míry expozice vibracím.

VAROVÁNÍ: Používejte ochranu sluchu.

VAROVÁNÍ: Emise hluku se při používání elektrického nářadí ve skutečnosti mohou od deklarované(hých) hodnot(y) lišit v závislosti na způsobech použití nářadí.

VAROVÁNÍ: Nezapomeňte stanovit bezpečnostní opatření na ochranu obsluhy podle odhadu expozice ve skutečných podmínkách použití. (Vezměte přitom v úvahu všechny části provozního cyklu, tj. kromě doby zátěže například doby, kdy je nářadí vypnuté a kdy běží naprázdno.)

Vibrace

Model DUR190U

Vyžínací nástroj	Levá ruka		Pravá ruka		Příslušná norma
	$a_{h,w}$ (m/s ²)	Nejistota K (m/s ²)	$a_{h,w}$ (m/s ²)	Nejistota K (m/s ²)	
4zubý břit	≤ 2,5	1,5	≤ 2,5	1,5	ISO22867 (ISO11806-1)
Strunová hlava	≤ 2,5	1,5	≤ 2,5	1,5	ISO22867 (ISO11806-1)
Plastové nože	≤ 2,5	1,5	≤ 2,5	1,5	ISO22867 (ISO11806-1)

Model DUR190L

Vyžínací nástroj	Levá ruka		Pravá ruka		Příslušná norma
	$a_{h,w}$ (m/s ²)	Nejistota K (m/s ²)	$a_{h,w}$ (m/s ²)	Nejistota K (m/s ²)	
4zubý břit	≤ 2,5	1,5	≤ 2,5	1,5	ISO22867 (ISO11806-1)
Strunová hlava	≤ 2,5	1,5	≤ 2,5	1,5	ISO22867 (ISO11806-1)
Plastové nože	≤ 2,5	1,5	≤ 2,5	1,5	ISO22867 (ISO11806-1)

Model DUR191U

Vyžínací nástroj	Levá ruka		Pravá ruka		Příslušná norma
	$a_{h,w}$ (m/s ²)	Nejistota K (m/s ²)	$a_{h,w}$ (m/s ²)	Nejistota K (m/s ²)	
4zubý břit	≤ 2,5	1,5	≤ 2,5	1,5	ISO22867 (ISO11806-1)
Strunová hlava	≤ 2,5	1,5	≤ 2,5	1,5	ISO22867 (ISO11806-1)
Plastové nože	≤ 2,5	1,5	≤ 2,5	1,5	ISO22867 (ISO11806-1)

Model DUR191L

Vyžínací nástroj	Levá ruka		Pravá ruka		Příslušná norma
	$a_{h,w}$ (m/s ²)	Nejistota K (m/s ²)	$a_{h,w}$ (m/s ²)	Nejistota K (m/s ²)	
4zubý břit	≤ 2,5	1,5	≤ 2,5	1,5	ISO22867 (ISO11806-1)
Strunová hlava	≤ 2,5	1,5	≤ 2,5	1,5	ISO22867 (ISO11806-1)
Plastové nože	≤ 2,5	1,5	≤ 2,5	1,5	ISO22867 (ISO11806-1)

POZNÁMKA: Celková(é) hodnota(y) deklarovaných vibrací byla(y) změřena(y) v souladu se standardní zkušební metodou a dá se použít k porovnání nářadí mezi sebou.

POZNÁMKA: Celkovou(é) hodnotu(y) deklarovaných vibrací lze také použít k předběžnému posouzení míry expozice vibracím.

VAROVÁNÍ: Emise vibrací se při používání elektrického nářadí ve skutečnosti mohou od deklarované(h) hodnot(y) lišit v závislosti na způsobech použití nářadí.

VAROVÁNÍ: Nezapomeňte stanovit bezpečnostní opatření na ochranu obsluhy podle odhadu expozice ve skutečných podmínkách použití. (Vezměte přitom v úvahu všechny části provozního cyklu, tj. kromě doby zátěže například doby, kdy je nářadí vypnuté a kdy běží naprázdno.)

Symbyoly

Níže jsou uvedeny symbyoly, se kterými se můžete při použití nářadí setkat. Je důležité, abyste dříve, než s nimi začnete pracovat, pochopili jejich význam.



Budte obzvláště opatrní a dávejte pozor.



Přečtěte si návod k obsluze.



Dodržujte alespoň 15m vzdálenost.



Nebezpečí – pozor na odmrštěné předměty.



Upozornění; zpětný ráz



Používejte přílbu, brýle a ochranu sluchu.



Noste ochranné rukavice.



Noste pevnou obuv s protiskluzovou podrážkou. Doporučujeme bezpečnostní obuv s ocelovou špičkou.



Nevystavujte vlhkosti.



Pouze pro země EU
Elektrické zařízení ani akumulátor nelikvidujte současně s domovním odpadem! Vzhledem k dodržování evropských směrnic o odpadních elektrických a elektronických zařízeních a směrnic o bateriích, akumulátorech a odpadních bateriích a akumulátorech s jejich implementací v souladu s národními zákony musí být elektrická zařízení, baterie a akumulátory po skončení životnosti odděleně shromážděny a předány do ekologicky kompatibilního recyklačního zařízení.

Prohlášení ES o shodě

Pouze pro evropské země

Prohlášení ES o shodě je obsaženo v Příloze A tohoto návodu k obsluze.

BEZPEČNOSTNÍ VÝSTRAHY

Obecná bezpečnostní upozornění k elektrickému nářadí

VAROVÁNÍ: Přečtěte si všechny bezpečnostní výstrahy i pokyny a prohlédněte si ilustrace a specifikace dodané k tomuto elektrickému nářadí. Nedodržení všech níže uvedených pokynů může vést k úrazu elektrickým proudem, požáru či vážnému zranění.

Všechna upozornění a pokyny si uschovejte pro budoucí potřebu.

Pojem „elektrické nářadí“ v upozorněních označuje elektrické nářadí, které se zapojuje do elektrické sítě, nebo elektrické nářadí využívající akumulátory.

Důležité bezpečnostní pokyny pro nářadí

VAROVÁNÍ: Přečtěte si veškerá bezpečnostní upozornění a všechny pokyny. Zanedbání výstrah a pokynů může mít za následek úraz elektrickým proudem, vznik požáru nebo vážné zranění.

Všechny výstrahy a pokyny si uschovejte pro budoucí potřebu.

Účel použití

1. Toto nářadí je určeno pouze pro vyžínání trávy, plevele, křovin a podrostu. Nesmí být používáno k žádnému jinému účelu, například k úpravě okrajů a stříhání živých plotů, neboť by mohlo dojít ke zranění.

Všeobecné pokyny

1. Nikdy nedovolte, aby toto nářadí používaly osoby neobeznámé s těmito pokyny, osoby (včetně dětí) s omezenými fyzickými, smyslovými či duševními schopnostmi nebo s nedostatečnými zkušenostmi a znalostmi. Děti musí být pod dohledem, aby si s nářadím nehrály.
2. Před spuštěním nářadí si přečtěte tento návod k obsluze, kde najdete informace týkající se obsluhy nářadí.
3. Nářadí nepůjčujte osobám s nedostatečnými zkušenostmi či znalostmi obsluhy křovinořezů a strunových vyžinačů.
4. Při půjčování nářadí vždy přiložte i tento návod k obsluze.
5. S nářadím manipulujte vždy s maximální opatrností a pozorností.
6. S nářadím nikdy nepracujte po požití alkoholu či léků, ani pokud jste unavení či nemocní.
7. Nářadí se nikdy nepokoušejte upravovat.
8. Při práci dodržujte směrnice k obsluze křovinořezů a strunových vyžinačů platné ve vaší zemi.

Osobní ochranné prostředky

► Obr.1

1. Noste bezpečnostní helmu, ochranné brýle a ochranné rukavice, které vám poskytnou ochranu před odlétávajícími třískami a padajícími předměty.
2. K zamezení ztráty sluchu používejte ochranu sluchu (ochranná sluchátka).
3. Noste vhodný oděv a obuv umožňující bezpečnou práci (pracovní kombinézu a pevnou obuv s protiskluzovou podrážkou). Nenoste volný oděv a šperky. Volný oděv, šperky či dlouhé vlasy mohou být zachyceny pohyblivými součástmi.
4. Při manipulaci s vyžínacím nožem použijte ochranné rukavice. Nechráněné ruce si můžete o vyžínací nože vážně poranit.
3. Zamezte neúmyslnému uvedení do chodu. Před vložením akumulátoru, zvedáním či přenášením nářadí se ujistěte, že je přepínač ve vypnutém poloze. Přenášení nářadí s prstem na přepínači nebo připojování elektrického nářadí se zapnutým přepínačem může způsobit úraz.
4. Akumulátor (akumulátor) nelikvidujte vzhazováním do ohně. Články mohou vybuchnout. Při likvidaci postupujte podle místních předpisů, jež mohou zahrnovat zvláštní pokyny.
5. Akumulátory neotevírejte a nepoškozujte. Vypuštěný elektrolyt je žíravý a může způsobit poranění očí nebo pokožky. Při spolknutí může být jedovatý.
6. Nenabíjete baterii v dešti nebo na mokřých místech.

Bezpečnost na pracovišti

1. S nářadím pracujte pouze při dobré viditelnosti a za denního světla. S nářadím nepracujte ve tmě ani v mlze.
2. S nářadím nepracujte v prostředí s výbušnou atmosférou, například s výskytem hořlavých kapalin, plynů či prachu. Nářadí může jiskřit, což může způsobit vznícení prachu nebo par.
3. Při práci nikdy nestůjte na nestabilních či kluzkých plochách ani na strmých svazích. Za chladného počasí dejte pozor na led či sníh a vždy si zajistěte bezpečný postoj.
4. S nářadím pracujte ve vzdálenosti alespoň 15 m od zvířat nebo přihlížejících osob. Zpozorujete-li, že se k vám někdo blíží, nářadí co nejdříve vypněte.
5. S nářadím nikdy nepracujte v blízkosti osob, zvláště pak dětí, ani domácích zvířat.
6. Před zahájením práce zkontrolujte, zda se v pracovní oblasti nenacházejí kameny či jiné pevné objekty. Může dojít k jejich vymrštění nebo mohou způsobit zpětný ráz, a následkem toho může dojít k vážnému zranění a/nebo poškození majetku.
7. **VAROVÁNÍ:** Používáním produktu můžete zvrátit prach obsahující chemikálie, jež mohou způsobit onemocnění dýchacích cest či jiné onemocnění. Mezi takové chemikálie mohou patřit například sloučeniny nacházející se v pesticidech, insekticidech, hnojivech a herbicidech. Riziko spojené s vystavením těmto materiálům se liší podle toho, jak často provádíte tento typ práce. Chcete-li omezit vystavení se těmto látkám, pracujte na dobře větraném místě a používejte schválené bezpečnostní vybavení, jako jsou například protiprachové masky speciálně určené k odfiltrování mikroskopických částic.

Elektrická bezpečnost a bezpečnost akumulátorů

1. Nářadí nevystavujte dešti a vlhku. Vnikne-li do nářadí voda, zvýší se nebezpečí úrazu elektrickým proudem.
2. Nářadí nepoužívejte, jestliže jej není možné zapnout a vypnout pomocí vypínače. Každé nářadí, které nelze ovládat pomocí vypínače, je nebezpečné a musí být opraveno.

Uvedení do provozu

1. Před montáží a seřízením nářadí vyjměte akumulátor.
2. Před manipulací s břitem si nasadte ochranné rukavice.
3. Před vložením akumulátoru zkontrolujte, zda nářadí není poškozené, zda nemá povolené šrouby či matice a zda není nesprávně smontováno. Tupý břit naostřete. Ohnuté nebo poškozené břity je třeba vyměnit. Zkontrolujte volný pohyb všech ovládacích páček a spínačů. Vyčistěte a osušte držadla.
4. Nikdy se nepokoušejte nářadí spustit, pokud je poškozené nebo neúplně smontované. V opačném případě může dojít k vážnému zranění.
5. Ramenní stroj a rukojeť upravte tak, aby vyhovovaly postavě obsluhy.
6. Při vkládání akumulátoru držte vyžínací příslušenství od těla a jiných objektů, včetně země. Při spuštění se může otáčet, což může způsobit zranění nebo poškození nářadí a/nebo majetku.
7. Před zapnutím elektrického nářadí odstraňte všechny nastavovací klíče, utahovací klíče nebo kryty nožů. Příslušenství ponechané v otáčející se části nářadí může způsobit úraz.
8. Vyžínací nástroj musí být opatřen krytem. Nářadí nikdy nezapínejte, pokud má poškozený kryt nebo pokud nejsou kryty usazeny na místě!
9. Ujistěte se, že se v pracovní oblasti nenacházejí žádné elektrické kabely, vodovodní a plynové potrubí atd., které by při poškození v důsledku práce s nářadím mohly být zdrojem nebezpečí.

Obsluha

1. V případě nouzové situace nářadí okamžitě vypněte.
2. Jestliže při provozu zpozorujete něco neobvyklého (např. hluk, vibrace), vypněte nářadí a vyjměte akumulátor. Do rozpoznání a odstranění příčiny nářadí nepoužívejte.
3. Vyžínací příslušenství se bude otáčet ještě krátkou chvíli po vypnutí nářadí. Vyčkejte a vyžínacího příslušenství se nedotýkejte.
4. Při práci používejte zádový stroj. Nářadí držte pevně po pravém boku.

5. **Nepřečnujte vlastní schopnosti. Udržujte vždy správný postoj a rovnováhu. Dávejte pozor na skryté překážky, jako jsou například pařezy, kořeny či výmoly, abyste neklopýtli.**
6. **Při práci ve svahu vždy dávejte pozor, kam šlapete.**
7. **Kráčejte – nikdy neběhejte.**
8. **Nikdy nepracujte na žebříku či na stromě, abyste nad nářadím neztratili kontrolu.**
9. **Jestliže nářadí utrpí prudký náraz nebo pokud upadne, zkontrolujte před obnovením práce jeho stav. Zkontrolujte ovládací a bezpečnostní prvky, zda nejsou poškozeny. V případě poškození či pochybností požádejte o prohlídku a opravu naše autorizované servisní středisko.**
10. **Odpočívejte – zamezte tak ztrátě kontroly vinou únavy. Doporučujeme 10–20minutový odpočinek po každé hodině práce.**
11. **Jestliže se od nářadí třeba jen na chvíli vzdálíte, vždy vyjměte akumulátor. Nářadí ponechané bez dozoru s vloženým akumulátorem by mohly použít neoprávněné osoby, což by mohlo vést k vážné nehodě.**
12. **Pokud se mezi vyžínací příslušenství a kryt zachytí tráva nebo větve, vždy nářadí vypněte a vyjměte akumulátor, než nářadí začnete čistit. Jinak se může vyžínací příslušenství nečekaně začít otáčet a způsobit vážný úraz.**
13. **Nikdy se nedotýkejte nebezpečných pohyblivých částí, dokud se nebezpečné pohyblivé části zcela nezastaví a není vyjmutý akumulátor.**
14. **Pokud vyžínací příslušenství narazí na kameny nebo jiné tvrdé objekty, okamžitě nářadí vypněte. Následně vyjměte akumulátor a prohlédněte vyžínací příslušenství.**
15. **Pravidelně během provozu kontrolujte stav vyžínacího příslušenství, zda nedošlo k jeho poškození. Před kontrolou vyjměte akumulátor a počkejte, než se vyžínací příslušenství zcela nezastaví. Poškozené vyžínací příslušenství okamžitě vyměňte. Vyměňte i příslušenství s povrchovými prasklinami.**
16. **Nikdy nepracujte nad úrovní pasu.**
17. **Po zapnutí nářadí před zahájením vyžínání počkejte, dokud vyžínací příslušenství nedosáhne konstantní rychlosti.**
18. **Při používání vyžínacího nože opisujte plynule nářadím půlkruh zprava doleva stejně jako při použití kosy.**
19. **Nářadí držte pouze za izolované části držadel, neboť břitzy mohou narazit na skryté elektrické vedení. Při kontaktu břitů s vodičem pod napětím se může proud přenést do nechráněných kovových částí nářadí a obsluha může utrpět úraz elektrickým proudem.**
20. **Nepouštějte nářadí, pokud je do vyžínacího nástroje zapletená tráva.**
21. **Před spuštěním nářadí se ujistěte, že se vyžínací nástroj nedotýká země nebo jiných překážek jako například stromu.**
22. **Při práci držte nářadí vždy oběma rukama. Při práci nářadí nikdy nedejte jen jednou rukou.**
23. **Nepoužívejte nářadí ve špatném počasí, nebo pokud hrozí nebezpečí blesku.**

Vyžínací nástroje

1. **Nepoužívejte vyžínací nástroj, který není námi doporučený.**
2. **Použijte vhodné vyžínací příslušenství pro daný úkol.**
 - Strunové hlavy (hlavy pro strunový vyžínáč) a plastové nože jsou vhodné k sečení trávy na trávníku.
 - Vyžínací nože jsou vhodné pro vyžínání plevele, vysoké trávy, křovin, podrostu, mláží atp.
 - Nikdy nepoužívejte jiné nože, včetně kovových několikadílných otočných řetězů a cepových nožů. Mohou způsobit vážné zranění.
3. **Používejte pouze vyžínací nástroj označený hodnotou otáček, která se rovná či přesahuje hodnotu otáček vyznačenou na nářadí.**
4. **Vždy mějte ruce, obličej a oblečení mimo vyžínací nástroj, pokud se otáčí. V opačném případě by mohlo dojít ke zranění.**
5. **Vždy používejte kryt vyžínacího příslušenství vhodný pro použité vyžínací příslušenství.**
6. **Při práci s vyžínacími noži dávejte pozor na zpětné rázy a na náhodný zpětný ráz buďte vždy připraveni. Viz část věnovaná zpětnému rázu.**
7. **Když nářadí nepoužíváte, nasadte na nůž kryty nožů. Před provozem sejměte kryt.**

Zpětný ráz (hození nože)

1. **Zpětný ráz (hození nože) je náhlá reakce na zachycení nebo sevření vyžínacího nože. Jakmile k tomu dojde, nářadí je velkou silou vyhozeno do strany nebo směrem k obsluze a může způsobit vážné zranění.**
2. **Ke zpětnému rázu dochází zvláště při práci nože v segmentu mezi 12. a 2. hodinou a kontaktu s pevnou překážkou, křovinami či kmeny o průměru 3 cm či více.**

► Obr.2

3. **Prevence zpětného rázu:**
 1. **Použijte segment jehož umístění odpovídá poloze mezi číslicemi 8 a 11 na ciferníku hodin.**
 2. **Nikdy nepoužívejte segment, jehož umístění odpovídá poloze mezi číslicemi 12 a 2 na ciferníku hodin.**
 3. **Nikdy nepoužívejte segment, jehož umístění odpovídá poloze mezi číslicemi 11 a 12 a 2 a 5 na ciferníku hodin, pokud není obsluha správně vyškolená a zkušená. Činí tak na vlastní riziko.**
 4. **Nikdy nepoužívejte vyžínací nože v blízkosti pevných objektů, například plotů, stěn, kmenů stromů a kamenů.**
 5. **Nikdy nepoužívejte vyžínací nože svisle, např. pro úpravu okrajů, střihání živých plotů a podobné operace.**

► Obr.3

Vibrace

1. **Osoby se špatnou cirkulací krve mohou během nadměrných vibrací přijít k újmě na zdraví v případě krevních cév nebo nervového systému.** Vibrace mohou způsobit následující symptomy v prstech, rukou a zápěstích: „Ochablost“ (necitlivost), mravenčení, bolest, bodavá bolest, změna barvy či stavu pokožky. Pokud nastane některý z těchto příznaků, vyhledejte lékaře!
2. **Pro snížení rizika „nemoci bílých prstů“ udržujte ruce v teple a správně provádějte obsluhu a údržbu nářadí a příslušenství.**

Přeprava

1. **Před přepravou nářadí jej vypněte a vyjměte akumulátor. Na výžinací nůž nasadte kryt.**
2. **Nářadí přenášejte ve vodorovné poloze a držte ho za hřidel.**
3. **Při přepravě ve vozidle nářadí řádně zabezpečte, aby se nepřevracelo.** Mohlo by dojít k poškození nářadí nebo jiného nákladu ve vozidle.

Údržba

1. **Servis nářadí zajišťujte pouze prostřednictvím autorizovaného servisního střediska naší společnosti a vždy s použitím originálních náhradních dílů.** Nesprávná oprava a nedostatečná údržba může zkrátit životnost nářadí a zvýšit riziko nehod.
2. **Před prováděním údržby, opravy nebo čištění nářadí jej vždy vypněte a vyjměte akumulátor.**
3. **Při manipulaci s výžinacími noži vždy používejte ochranné rukavice.**
4. **Z nářadí vždy odstraňujte prach a nečistoty.** K čištění nikdy nepoužívejte benzin, benzen, ředidlo, alkohol ani podobné prostředky. Mohlo by dojít ke změnám barvy, deformacím či popraskaní plastových dílů.
5. **Po každém použití dotáhněte všechny šrouby a maticе.**
6. **Neprovádějte údržbu ani opravy, které nejsou uvedené v tomto návodu k obsluze.** Takové práce svěřte našemu autorizovanému servisnímu středisku.
7. **Vždy používejte pouze naše originální náhradní díly a příslušenství.** Používání dílů či příslušenství dodaných jiným výrobcem může způsobit selhání nářadí, škody na majetku a/nebo vážné úrazy.
8. **Kontrolu a údržbu nářadí nechávejte pravidelně provádět v našem autorizovaném servisním středisku.**
9. **Nářadí neustále udržujte v dobrém provozním stavu.** Nedostatečná údržba může snížit výkon a zkrátit životnost nářadí.

Skladování

1. **Před uložením nářadí důkladně vyčistěte a proveďte potřebnou údržbu.** Vyjměte akumulátor. Na výžinací nůž nasadte kryt.
2. **Nářadí skladujte na suchém a vyvýšeném či uzamykatelném místě mimo dosah dětí.**
3. **Nářadí nikdy o nic neopírejte (např. o stěnu).** Jinak by mohlo náhle spadnout a způsobit úraz.

První pomoc

1. **Vždy mějte po ruce lékárníčku. Použitý obsah lékárníčky je nutné okamžitě nahradit.**
2. **Při přivolávání pomoci poskytněte následující informace:**
 - Místo nehody
 - Co se stalo
 - Počet zraněných osob
 - Povaha zranění
 - Vaše jméno

Důležitá bezpečnostní upozornění pro akumulátor

1. **Před použitím akumulátoru si přečtěte všechny pokyny a varovné symboly na (1) nabíječe, (2) akumulátoru a (3) výrobku využívajícím akumulátor.**
2. **Akumulátor nerozebírejte.**
3. **Pokud se příliš zkrátí provozní doba akumulátoru, přerušte okamžitě práci. V opačném případě existuje riziko přehřívání, popálení nebo dokonce výbuchu.**
4. **Budou-li vaše oči zasaženy elektrolytem, vypláchněte je čistou vodou a okamžitě vyhledejte lékařskou pomoc. Může dojít ke ztrátě zraku.**
5. **Akumulátor nezkratujte:**
 - (1) **Nedotýkejte se svorek žádným vodivým materiálem.**
 - (2) **Neskladujte akumulátor v nádobě s jinými kovovými předměty, jako jsou hřebíky, mince, apod.**
 - (3) **Nevystavuje akumulátor vodě a dešti.** Zkrat akumulátoru může způsobit velký průtok proudu, přehřátí, možné popálení a dokonce i poruchu.
6. **Neskladujte nářadí a akumulátor na místech, kde může teplota překročit 50 °C (122 °F).**
7. **Nespalujte akumulátor, ani když je vážně poškozen nebo úplně opotřeben. Akumulátor může v ohni vybuchnout.**
8. **Dávejte pozor, abyste akumulátor neupustili ani s ním nenaráželi.**
9. **Nepoužívejte poškozené akumulátory.**
10. **Obsažené lithium-iontové akumulátory podléhají právním požadavkům na nebezpečné zboží.** V případě komerční přepravy například externími dopravci je třeba dodržet zvláštní požadavky na balení a značení.
Pro přípravu zboží k přepravě je nutná konzultace s odborníkem na nebezpečný materiál. Dodržujte také případné podrobnější národní předpisy. Odkryté kontakty přelepte izolační páskou či jinak zakryjte a akumulátory zabalte tak, aby se v balení nemohly pohybovat.
11. **Při likvidaci akumulátoru jej vyjměte z nářadí a zlikvidujte jej na bezpečném místě. Při likvidaci akumulátoru postupujte podle místních předpisů.**
12. **Akumulátor používejte pouze s výrobky specifikovanými společností Makita.** Instalace akumulátoru do nevhovujících výrobků může způsobit požár, nadměrné zahřívání, explozi nebo únik elektrolytu.

13. Pokud nářadí delší dobu nepoužíváte, je nutné z něj akumulátor vyjmout.

TYTO POKYNY USCHOVEJTE.

⚠ UPOZORNĚNÍ: Používejte pouze originální akumulátory Makita. Používání neoriginálních nebo upravených akumulátorů může způsobit explozi akumulátoru a následný požár, zranění a jiné poškození. Zaniká tím také záruka společnosti Makita na nářadí a nabíječku Makita.

Tipy k zajištění maximální životnosti akumulátoru

1. Akumulátor nabíjte dříve, než dojde k jeho úplnému vybití. Pokud si povšimnete sníženého výkonu nářadí, vždy jej zastavte a dobijte akumulátor.
2. Nikdy nenabíjete úplně nabitý akumulátor. Přebíjení zkracuje životnost akumulátoru.
3. Akumulátor dobíjete při pokojové teplotě od 10 °C do 40 °C (50 °F až 104 °F). Před nabíjením nechejte horký akumulátor zchladnout.
4. Pokud se akumulátor delší dobu nepoužívá (déle než šest měsíců), je nutno jej dobít.

POPIS DÍLŮ

► Obr.4

1	Kontrolky rychlosti	2	Kontrolka ADT (ADT = automatické elektronické nastavení počtu otáček)	3	Výstražná kontrolka	4	Hlavní tlačítko napájení
5	Tlačítko otočení	6	Akumulátor	7	Odjišťovací páčka	8	Spoušť
9	Závěs	10	Držadlo	11	Zábrana (specifická podle země)	12	Chránič
13	Zajišťovací páčka (pouze modely DUR191U a DUR191L)	14	Kryt spoje (pouze modely DUR191U a DUR191L)	15	Kryt (pouze modely DUR191U a DUR191L)	16	Zádový postroj

POPIS FUNKCÍ

⚠ VAROVÁNÍ: Před nastavováním nářadí nebo kontrolou jeho funkce se vždy přesvědčte, zda je vypnuté a je vyjmutý akumulátor. Jestliže nářadí nevypnete a nevyjmete z něj akumulátor, může po náhodném spuštění dojít k vážnému zranění.

Nasazení a sejmутí akumulátoru

⚠ UPOZORNĚNÍ: Před nasazením či sejmутím akumulátoru nářadí vždy vypněte.

⚠ UPOZORNĚNÍ: Při nasazování či snímání akumulátoru pevně držte nářadí a akumulátor. V opačném případě vám může nářadí nebo akumulátor vyklouznout z rukou a mohlo by dojít k jejich poškození či ke zranění.

- **Obr.5:** 1. Červený indikátor 2. Tlačítko 3. Akumulátor

Chcete-li akumulátor sejmout, vysuňte jej se současným přesunutím tlačítka na přední straně akumulátoru.

Při nasazování akumulátoru vyrovnejte jazýček na bloku akumulátoru s drážkou v krytu a zasuňte akumulátor na místo. Akumulátor zasuňte na doraz, až zacvakne na své místo. Není-li tlačítko zcela zajištěno, uvidíte na jeho horní straně červený indikátor.

⚠ UPOZORNĚNÍ: Akumulátor zasunujte vždy zcela tak, aby nebyl červený indikátor vidět. Jinak by mohl akumulátor ze zařízení vypadnout a způsobit zranění obsluze či přihlížejícím osobám.

⚠ UPOZORNĚNÍ: Akumulátor nenasazujte násilím. Nelze-li akumulátor zasunout snadno, nevkládáte jej správně.

Systém ochrany nářadí a akumulátoru

Nářadí je vybaveno systémem ochrany nářadí a akumulátoru. Tento systém automaticky přerušuje napájení motoru, aby se prodloužila životnost nářadí a akumulátoru. Bude-li nářadí vystaveno některé z níže uvedených podmínek, během provozu se automaticky vypne:

Výstražná kontrolka			Stav
Barva	● Svítí	○ Bliká	
Červená	<input type="radio"/>	<input type="radio"/>	Přetížení
Červená	<input checked="" type="radio"/>	<input type="radio"/>	Přehřívání
Červená	<input type="radio"/>	<input checked="" type="radio"/>	Přílišné vybití

Ochrana proti přetížení

Pokud se nářadí dostane do některé z těchto situací, automaticky se zastaví a výstražná kontrolka začne blikat červeně:

- Nářadí je přetížené z důvodu zapletené trávy nebo jiných nečistot.

- Vyzínací nástroj je zablokovaný nebo došlo ke zpětnému rázu.
- Hlavní tlačítko napájení je zapnuté, když je stisknuta spoušť.

V takovém případě uvolníte spoušť a v případě potřeby uvolníte trávu zapletenou do nářadí nebo jiné nečistoty. Následně nářadí opětovným stisknutím spouště znovu aktivujete.

⚠ UPOZORNĚNÍ: Pokud potřebujete uvolnit trávu zapletenou do nářadí nebo uvolnit zablokovaný vyzínací nástroj, nářadí před tím vypněte.

Ochrana proti přehřátí nářadí či akumulátoru

Pokud se nářadí či akumulátor přehřeje, automaticky se zastaví. Při přehřátí nářadí či akumulátoru se kontrolky rychlosti a ADT vypnou a výstražná kontrolka se rozsvítí červeně. Nechte nářadí a/nebo akumulátor před opětovným zapnutím vychladnout.

Ochrana proti přílišnému vybití
















V případě nízké zbývající kapacity akumulátoru se nářadí automaticky vypne. Kontrolka rychlosti a ADT se vypne a výstražná kontrolka začne blikat červeně. Jestliže nářadí při ovládní přepínače nepracuje, vyjměte vybitý akumulátor z nářadí a nabijte ho.

Indikace zbývající kapacity akumulátoru

Pouze pro akumulátory s diodovým ukazatelem

► **Obr.6:** 1. Kontrolky 2. Tlačítko kontroly

Stisknutím tlačítka kontroly na akumulátoru zjistíte zbývající kapacitu akumulátoru. Kontrolky indikátoru se na několik sekund rozsvítí.

Kontrolky			Zbývající kapacita
 Svítí	 Nesvítí	 Bliká	
			75 % až 100 %
			50 % až 75 %
			25 % až 50 %
			0 % až 25 %
			Nabijte akumulátor.
			Došlo pravděpodobně k poruše akumulátoru.

POZNÁMKA: Kapacita udávaná indikátorem se může mírně lišit od skutečné kapacity v závislosti na podmínkách používání a teplotě prostředí.

Hlavní spínač napájení

Nářadí se zapíná stisknutím hlavního tlačítka napájení. Vypnutí nářadí provedete opětovným stisknutím a přidržení hlavního tlačítka napájení, dokud kontrolka rychlosti nezhasne.

► **Obr.7:** 1. Kontrolka rychlosti 2. Hlavní tlačítko napájení

POZNÁMKA: Nářadí se automaticky vypne, pokud s ním po určitou dobu nebudete provádět žádné operace.

Používání spouště

⚠ VAROVÁNÍ: Před vložením akumulátoru do nářadí vždy zkontrolujte, zda správně funguje spoušť a jestli se po uvolnění vrací do vypnuté polohy. Práce s nářadím bez správně fungujícího spínače může vést ke ztrátě kontroly a vážnému zranění.

⚠ UPOZORNĚNÍ: Nikdy nářadí nepřenášejte s prstem na přepínači. Nářadí se může nechtěně spustit a způsobit zranění.

K zamezení náhodnému stisknutí spouště je zařízení vybaveno odjišťovací páčkou.

Nářadí spustíte uchopením držadla (odjišťovací páčka se úchopem zmáčkne) a stisknutím spouště. Pokud chcete nářadí vypnout, uvolněte spoušť.

Modely DUR190U a DUR191U

► **Obr.8:** 1. Odjišťovací páčka 2. Spoušť

Modely DUR190L a DUR191L












► **Obr.9:** 1. Odjišťovací páčka 2. Spoušť

POZNÁMKA: Ponecháte-li nářadí jistou dobu bez provedení jakékoli operace, automaticky se vypne.

Nastavení otáček

Otáčky nářadí zvolíte stisknutím hlavního tlačítka napájení. Po každém stisknutí hlavního tlačítka napájení se úroveň rychlosti změní.

► **Obr.10:** 1. Kontrolka rychlosti 2. Hlavní tlačítko napájení 3. Kontrolka ADT

Kontrolka rychlosti	Režim	Rychlost otáček
 	ADT	3 500 - 6 000 min ⁻¹
3  2  1 	Vysoká	6 000 min ⁻¹
3  2  1 	Střední	5 100 min ⁻¹
3  2  1 	Nízký	3 500 min ⁻¹

POZNÁMKA: Když nastavíte technologii automatického elektronického nastavení počtu otáček (ADT), kontrolka ADT se zapne a nářadí použije optimální rychlost otáček a točivý moment odpovídající stavu vyžínané trávy.

Tlačítko zpětných otáček k odstranění odřezků

VAROVÁNÍ: Před čištěním od zamotaného plevele a odřezků, jež nelze odstranit zpětnými otáčkami, nezapomeňte nářadí vypnout a vyjmout blok akumulátoru. Jestliže nářadí nevypnete a nevyjmete z něj akumulátor, může po náhodném spuštění dojít k vážnému zranění.

Toto nářadí je opatřeno tlačítkem zpětných otáček sloužícím ke změně směru otáček. Slouží pouze k odstranění plevele a odřezků zamotaných v nářadí.

Jestliže chcete obrátit směr otáček, stiskněte tlačítko zpětných otáček při současném stisknutí odjišťovací páčky, a až se vyžínací nástroj zastaví, stiskněte spoušť. Po stisknutí spouště se rozblíkají kontrolky rychlosti a kontrolka ADT a vyžínací nástroj se bude otáčet opačným směrem. Obnovení normálního směru otáček provedete uvolněním spouště a vyčkáním na zastavení pohybu vyžínacího nástroje.

► **Obr.11:** 1. Kontrolka rychlosti 2. Kontrolka ADT 3. Tlačítko otočení

POZNÁMKA: V režimu obrácených otáček pracuje nářadí pouze chvíli, a pak se automaticky zastaví.

POZNÁMKA: Po vypnutí nářadí se směr otáček při opětovném zapnutí vrátí do normálního režimu.

POZNÁMKA: Stisknete-li tlačítko zpětných otáček ve chvíli, kdy se vyžínací nástroj ještě otáčí, nářadí se vypne a bude připraveno pro režim obrácených otáček.

Elektrická brzda

Toto nářadí je vybaveno elektrickou brzdou. Jestliže se opakovaně stane, že se nářadí zastavuje po uvolnění spouště pomalu, nechte provést servis nářadí v našem servisním středisku.

UPOZORNĚNÍ: Tento systém brzdy nenahrazuje chránič. Nářadí nikdy nepoužívejte bez chrániče. Nechráněný vyžínací nástroj může způsobit vážné zranění.

SESTAVENÍ

VAROVÁNÍ: Před prováděním jakýchkoli prací na nářadí se vždy ujistěte, zda je nářadí vypnuté a zda je vyjmut blok akumulátoru.

Jestliže nářadí nevypnete a nevyjmete z něj akumulátor, může po náhodném spuštění dojít k vážnému zranění.

VAROVÁNÍ: Není-li zařízení zcela zkompletováno, nikdy je nespouštějte. Při práci s nekompletně sestaveným zařízením může po náhodném spuštění dojít k vážnému zranění.

Montáž držadla

Pouze pro modely DUR190U a DUR191U

1. Tyč nasadíte do rukojeti. Otvor pro šroub v rukojeti vyrovnejte s otvorem v tyči. Šroub pevně dotáhněte.

► **Obr.12:** 1. Rukojeť 2. Šroub 3. Držadlo

2. Umístěte držadlo mezi příchytku držadla a podpěru držadla. Držadlo seřídte pod úhlem, který umožňuje pohodlné ovládní, a poté jej pevně zajistěte šrouby s vnitřním šestihranem.

► **Obr.13:** 1. Šroub s vnitřním šestihranem 2. Příchytka držadla 3. Podpěra držadla

Přípevnění zábrany

Pouze pro modely DUR190L a DUR191L

Pokud je spolu s vaším modelem dodávána zábrana, připevněte ji k držadlu pomocí šroubu na zábrance.

► **Obr.14:** 1. Zábrana 2. Šroub

UPOZORNĚNÍ: Po montáži zábrany ji neodstraňujte. Zábrana funguje jako bezpečnostní díl, který vám brání v neúmyslném kontaktu s žacíím nožem.

Montáž nastavovací tyče

Pouze pro modely DUR191U a DUR191L

Namontujte nastavcovou tyč na motorovou jednotku.

1. Otočte páčku ve směru šipky jako na obrázku.

► **Obr.15:** 1. Páčka

2. Zvedněte kryt spoje a zasunujte nastavcovou tyč při současném vyrovnávání výčnělku na tyči (ze strany vyžínacího nástroje) s částí s prohlubní v místě spoje.

► **Obr.16:** 1. Zajišťovací páčka 2. Kryt spoje 3. Tyč

Zajistěte, aby byla plocha zajišťovací páčky ve vodorovné poloze vůči tyči.

3. Otočte páčku ve směru šipky jako na obrázku.

► **Obr.17:** 1. Páčka

Chcete-li tyč vyjmout, otočte páčku ve směru šipky jako na obrázku a vytáhněte tyč při současném stisknutí zajišťovací páčky.

► **Obr.18:** 1. Páčka 2. Zajišťovací páčka 3. Tyč

Montáž chrániče

VAROVÁNÍ: Nářadí nikdy nepoužívejte bez krytu nasazeného na místě. V opačném případě může dojít k vážnému zranění.

UPOZORNĚNÍ: Počínějte si opatrně, abyste se neporanili o nůž k přiřiznutí nylonové struny.

Upevněte chránič ke svorce pomocí šroubů.

► **Obr.19:** 1. Svorka 2. Chránič 3. Řezný nástroj

Montáž vyžínacího nástroje

POZNÁMKA: Typ vyžínacího nástroje jako standardního příslušenství se liší v závislosti na zemi. Vyžínací nástroj není v některých zemích součástí balení.

POZNÁMKA: Otočte nářadí vzhůru nohama, abyste mohli vyžínací nástroj snadno vyměnit.

Břit

⚠️ UPOZORNĚNÍ: Při manipulaci s břitem vždy používejte rukavice a umístěte na nůž kryt.

⚠️ UPOZORNĚNÍ: Břit musí být vyleštěný a nesmí vykazovat známky prasklin nebo zlomení. Pokud břit narazí za provozu na kámen, nářadí ihned vypněte a břit zkontrolujte.

⚠️ UPOZORNĚNÍ: Vždy používejte břit o průměru uvedeném v části specifikací.

- **Obr.20:** 1. Matice 2. Krytka 3. Upínací podložka 4. Břit 5. Závitové vřetenno 6. Kryt 7. Zajišťovací tlačítko závitového vřetenno

1. Připevněte břit na kryt tak, aby šipky na břitu a chrániči směřovaly stejným směrem.

► **Obr.21:** 1. Šipka

2. Vložte upínací podložku a krytku na břit.

3. Podržte zajišťovací tlačítko závitového vřetenno a utáhněte pevně matici pomocí trubkového klíče.

► **Obr.22:** 1. Zajišťovací tlačítko závitového vřetenno 2. Trubkový klíč 3. Povolit 4. Utáhnout

Chcete-li břit odejmout, podržte zajišťovací tlačítko závitového vřetenno a uvolněte matici.

Strunová hlava

POZOR: Ujistěte se, zda používáte originální strunovou hlavu Makita.

Podržte zajišťovací tlačítko závitového vřetenno, strunovou hlavu nasadte na vřetenno a pevně ji dotáhněte rukou.

► **Obr.23:** 1. Strunová hlava 2. Závitové vřetenno 3. Zajišťovací tlačítko závitového vřetenno 4. Povolit 5. Utáhnout

Chcete-li strunovou hlavu odejmout, podržte zajišťovací tlačítko závitového vřetenno a uvolněte strunovou hlavu.

Plastový nůž

POZOR: Ujistěte se, že používáte originální plastový nož Makita.

Podržte zajišťovací tlačítko závitového vřetenno, plastový nůž nasadte na vřetenno a pevně ho dotáhněte rukou.

► **Obr.24:** 1. Plastový nůž 2. Závitové vřetenno 3. Zajišťovací tlačítko závitového vřetenno 4. Povolit 5. Utažen

Chcete-li plastový nůž odejmout, podržte zajišťovací tlačítko závitového vřetenno a uvolněte plastový nůž.

POZNÁMKA: K montáži a demontáži vyžínacího nástroje můžete použít dodávaný šestihřanný klíč. Zásunutím šestihřanného klíče do otvoru dle obrázku zajistíte závitového vřetenno.

► **Obr.25:** 1. Šestihřanný klíč 2. Otvor

⚠️ UPOZORNĚNÍ: K montáži a demontáži vyžínacího nástroje vždy používejte dodané klíče.

⚠️ UPOZORNĚNÍ: Po montáži vyžínacího nástroje nezapomeňte odstranit šestihřanný klíč vložený do hlavy nářadí.

Nastavení pozice držadla/závěsu

Pozici držadla a závěsu nastavte tak, abyste dosáhli pohodlného držení nářadí.

Pro modely DUR190U a DUR191U

Pozici držadla/závěsu nastavte tak, aby nástroj byl ve vzdálenosti zobrazené níže.

► **Obr.26**

1	Pozice závěsu od země
2	Pozice vyžínacího nástroje od země
3	Horizontální vzdálenost mezi závěsem a nechráněnou částí vyžínacího nástroje

Povolte šrouby s vnitřním šestihřanem na spodní straně podpěry držadla. Pohybem držadla dosáhnete pohodlné pracovní pozice a poté šrouby utáhněte.

► **Obr.27:** 1. Podpěra držadla 2. Šroub s vnitřním šestihřanem 3. Držadlo

Povolte šrouby s vnitřním šestihřanem na závěsu. Pohybem závěsu dosáhnete pohodlné pracovní pozice a poté šrouby utáhněte.

► **Obr.28:** 1. Šroub s vnitřním šestihřanem 2. Závěs

Pro modely DUR190L a DUR191L

Povolte šrouby s vnitřním šestihřanem na držadle. Pohybem držadla dosáhnete pohodlné pracovní pozice a poté šrouby utáhněte.

► **Obr.29:** 1. Šroub s vnitřním šestihřanem 2. Držadlo

Povolte šroub s vnitřním šestihřanem na závěsu. Pohybem závěsu dosáhnete pohodlné pracovní pozice a poté šroub utáhněte.

► **Obr.30:** 1. Šroub s vnitřním šestihřanem 2. Závěs

Uložení šestihřanného klíče

Není-li používán, uložte šestihřanný klíč, jak je ilustrováno na obrázku. Předejdete tak jeho ztrátu.

► **Obr.31:** 1. Šestihřanný klíč

Pouze pro modely DUR190L a DUR191L

► **Obr.32:** 1. Držadlo 2. Šestihřanný klíč

PRÁCE S NÁŘADÍM

Přípevnění ramenního popruhu

▲ UPOZORNĚNÍ: Vždy používejte zádový postroj připravený k nářadí. Před zahájením práce nastavte zádový postroj podle velikosti uživatele, abyste předešli únavě.

▲ UPOZORNĚNÍ: Před zahájením provozu se ujistěte, že je zádový postroj správně připraven na háček nářadí.

Připojte háček zádového postroje k závěsu a nasadte si zádový postroj. Ujistěte se, že je zádový postroj bezpečně uchycený.

Modely DUR190U a DUR191U

► Obr.33: 1. Háček 2. Závěs

Modely DUR190L a DUR191L

► Obr.34: 1. Háček 2. Závěs

Odpojení

Zádový postroj má funkci rychlého uvolnění.

Modely DUR190U a DUR191U

► Obr.35: 1. Pásek

Zatáhněte za pásek a odpojte nářadí ze zádového popruhu.

Modely DUR190L a DUR191L

► Obr.36: 1. Svorka

Jednoduše na obou stranách stiskněte přezku a nářadí odpojte ze zádového popruhu.

Správné zacházení s nářadím

▲ VAROVÁNÍ: Nářadí mějte vždy po pravém boku. Správnou polohou nářadí zajistíte maximální ovladatelnost a omezíte nebezpečí vážného zranění v důsledku zpětného rázu.

▲ VAROVÁNÍ: Počínějte si velmi opatrně, abyste nad nářadím nikdy neztratili kontrolu. Nedovolte, aby se nářadí odrazilo směrem k vám či jakékoli osobě v blízkosti pracoviště. Ztráta kontroly nad nářadím může způsobit vážné zranění přihlízejících osob a obsluhy.

▲ VAROVÁNÍ: Obsluhuje-li nářadí více pracovníků v jedné oblasti, zajistěte, aby vzdálenost mezi pracovníky byla alespoň 15 m (50 stop), aby se předešlo nehodě. Zařídte, aby jedna osoba držela dohled nad dodržováním vzdáleností. Pokud nějaká osoba nebo zvíře vstoupí do pracovní oblasti, okamžitě přerušete práci.

▲ UPOZORNĚNÍ: Jestliže vyžínací nástroj při provozu náhodně narazí na kámen či jiný tvrdý předmět, nářadí vypněte a zkontrolujte, zda nedošlo k poškození. Pokud je vyžínací nástroj poškozený, okamžitě jej vyměňte. Používání poškozeného vyžínacího nástroje může způsobit vážné zranění.

▲ UPOZORNĚNÍ: Pokud vyžínáte trávu, odstraňte z břitu kryt nožů.

Správnou polohou a manipulací zajistíte optimální ovladatelnost a omezíte nebezpečí zranění v důsledku zpětného rázu.

Modely DUR190U a DUR191U

► Obr.37

Modely DUR190L a DUR191L

► Obr.38

Použití strunové hlavy (typ s posouváním struny klepnutím o zem)

Strunová hlava je vyžínací dvoustrunná hlava s mechanismem posouvání struny klepnutím o zem.

Chcete-li vysunout nylonovou strunu, klepněte s otáčející se vyžínací hlavou o zem.

► Obr.39: 1. Neefektivnější vyžínací oblast

POZOR: Vysunutí struny klepnutím nebude fungovat správně, pokud se strunová hlava neotáčí.

POZNÁMKA: Pokud se nylonová struna klepnutím hlavy nevysune, převíňte či vyměňte nylonovou strunu podle postupu popsáno v části věnované údržbě.

ÚDRŽBA

▲ VAROVÁNÍ: Před prováděním kontroly či údržby se vždy ujistěte, zda je nářadí vypnuté a zda je vyjmut blok akumulátoru. Jestliže nářadí nevypnete a nevyjmnete z něj akumulátor, může po náhodném spuštění dojít k vážnému zranění.

POZOR: Nikdy nepoužívejte benzin, benzen, ředidlo, alkohol či podobné prostředky. Mohlo by tak dojít ke změnám barvy, deformacím či vzniku prasklin.

K zachování BEZPEČNOSTI a SPOLEHLIVOSTI výrobku musí být opravy a veškerá další údržba či seřizování prováděny autorizovanými nebo továrními servisními středisky společnosti Makita s využitím náhradních dílů Makita.

Výměna nylonové struny

▲ VAROVÁNÍ: Používejte nylonovou strunu o průměru uvedeném v tomto návodu k obsluze. Nikdy nepoužívejte silnější strunu, kovový drát, provaz atp. V opačném případě může dojít k poškození nářadí a vážnému zranění.

▲ VAROVÁNÍ: Vždy vyjměte strunovou hlavu z nářadí, pokud vyměňujete nylonovou strunu.

▲ VAROVÁNÍ: Ujistěte se, že je kryt strunové hlavy správně upevněn k plášti tak, jak je popsáno v tomto návodu k obsluze. Jestliže kryt správně nezajistíte, může se strunová hlava rozlétnout a způsobit vážné zranění.

Nylonovou strunu vyměňte, pokud se již nevysouvá z hlavy. Způsob výměny nylonové struny se liší v závislosti na typu strunové hlavy.

95-M10L

► Obr.40

Výměna plastových nožů

Pokud je plastový nůž opotřebený či polámaný, vyměňte jej.

► Obr.41

Při instalaci plastového nože vyrovnejte směr šipky na noži s tou na ochranném krytu.

► **Obr.42:** 1. Šipka na ochranném krytu 2. Šipka na noži

ŘEŠENÍ POTÍŽÍ

Před žádostí o opravu proveďte nejprve prohlídku sami. Narazíte-li na problém, jenž v této příručce není vysvětlen, nepouštějte se do demontáže zařízení. Požádejte o pomoc některé z autorizovaných servisních středisek Makita, kde k opravám vždy používají náhradní díly Makita.

Problém	Pravděpodobná příčina (porucha)	Náprava
Motor neběží.	Není nasazen blok akumulátoru.	Nainstalujte blok akumulátoru.
	Problém s akumulátorem (nízké napětí)	Nabijte akumulátor. Jestliže nabití nepomůže, vyměňte akumulátor.
	Systém pohonu nepracuje správně.	Předějte zařízení k opravě v místním autorizovaném servisním středisku.
Motor se po krátké době provozu zastaví.	Akumulátor není dostatečně nabitý.	Nabijte akumulátor. Jestliže nabití nepomůže, vyměňte akumulátor.
	Došlo k přehřátí.	Přestaňte nářadí používat a nechte jej vychladnout.
Nářadí nedosahuje maximálních otáček.	Akumulátor je nesprávně nasazen.	Nainstalujte akumulátor podle popisu v této příručce.
	Poklesl výkon akumulátoru.	Nabijte akumulátor. Jestliže nabití nepomůže, vyměňte akumulátor.
	Systém pohonu nepracuje správně.	Předějte zařízení k opravě v místním autorizovaném servisním středisku.
Vyžínací nástroj se neotáčí: ⇒ zařízení ihned vypněte!	Mezi chránič a vyžínací nástroj se zasekl cizí předmět, jako je například větev.	Odstraňte cizorodý předmět.
	Systém pohonu nepracuje správně.	Předějte zařízení k opravě v místním autorizovaném servisním středisku.
Nenormální vibrace: ⇒ zařízení ihned vypněte!	Jeden konec nylonové struny se utrhнул.	Klepněte otáčející se strunovou hlavou o zem, aby se vysunula struna.
	Systém pohonu nepracuje správně.	Předějte zařízení k opravě v místním autorizovaném servisním středisku.
Vyžínací nástroj a motor nelze vypnout: ⇒ Okamžitě vyjměte akumulátor!	Elektrická nebo elektronická porucha.	Vyjměte akumulátor a zařízení předějte k opravě v místním autorizovaném servisním středisku.

VOLITELNÉ PŘÍSLUŠENSTVÍ

VAROVÁNÍ: Používejte výhradně doporučené příslušenství či nástavce uvedené v tomto návodu. Použití jakéhokoli jiného příslušenství či nástavce může způsobit vážné zranění.

UPOZORNĚNÍ: Pro nářadí Makita popsané v tomto návodu doporučujeme používat následující příslušenství a nástavce. Při použití jiného příslušenství či nástavců může hrozit nebezpečí zranění osob. Příslušenství lze používat pouze pro stanovené účely.

- Břit
- Strunová hlava
- Nylonová struna (sekací struna)
- Plastové nože
- Originální akumulátor a nabíječka Makita

POZNÁMKA: Některé položky seznamu mohou být k nářadí přibaleny jako standardní příslušenství. Přibalené příslušenství se může v různých zemích lišit.

Potřebujete-li bližší informace ohledně tohoto příslušenství, obraťte se na místní servisní středisko společnosti Makita.

ТЕХНІЧНІ ХАРАКТЕРИСТИКИ

Модель:	DUR190U	DUR190L	DUR191U	DUR191L
Тип ручки	Дугоподібна рукоятка	Ручка-скоба	Дугоподібна рукоятка	Ручка-скоба
Швидкість у режимі холостого ходу	3: 6 000 хв ⁻¹ 2: 5 100 хв ⁻¹ 1: 3 500 хв ⁻¹			
Загальна довжина (без різального інструмента)	1 775 мм			
Діаметр нейлонового шнура	2,0–2,4 мм			
Відповідний різальний інструмент і діаметр різання	3-зубий ніж (номер виробу 191J34-5)	230 мм		
	4-зубий ніж (номер виробу 729025-2)	230 мм		
	Різальна головка з нейлоновим шнуром (номер виробу 126674-0)	300 мм		
	Пластикова різальна пластина (номер виробу 126642-3)	230 мм		
Номінальна напруга	18 В пост. струму			
Маса нетто	3,1 - 3,4 кг	2,9 - 3,2 кг	3,4 - 3,7 кг	3,2 - 3,5 кг

- Оскільки наша програма наукових досліджень і розробок триває безперервно, наведені тут технічні характеристики можуть бути змінені без попередження.
- У різних країнах технічні характеристики можуть бути різними.
- Вага може відрізнятися залежно від допоміжного обладнання, наприклад касети з акумулятором. Найлегші та найважчі комплекти, відповідно до стандарту ЕРТА (Європейська асоціація виробників електроінструменту) від січня 01/2014 року, представлено в таблиці.

Застосовна касета з акумулятором і зарядний пристрій

Касета з акумулятором	BL1815N / BL1820 / BL1820B / BL1830 / BL1830B / BL1840 / BL1840B / BL1850 / BL1850B / BL1860B
Зарядний пристрій	DC18RC / DC18RD / DC18RE / DC18SD / DC18SE / DC18SF / DC18SH

- Деякі касети з акумулятором і зарядні пристрої, які вказано вище, можуть бути недоступними залежно від вашого регіону або місця перебування.

⚠ ПОПЕРЕДЖЕННЯ: Використовуйте лише касети з акумулятором і зарядні пристрої, перелічені вище. Використання будь-яких інших касет з акумулятором і зарядних пристроїв може призвести до травмування й/або пожежі.

Рекомендований адаптер для акумуляторів

Адаптер для акумуляторів	PDC01
--------------------------	-------

- У деяких регіонах певні моделі адаптера для акумуляторів, які вказано вище, можуть бути недоступні.
- Перед використанням адаптера акумулятора прочитайте інструкції та попереджувальні написи на ньому.

Модель DUR190U

Різальний інструмент	Рівень звукового тиску (L_{pA}) дБ(A)		Рівень звукової потужності (L_{WA}) дБ(A)		Відповідний стандарт
	L_{pA} дБ (A)	Похибка (K) дБ(A)	L_{WA} дБ (A)	Похибка (K) дБ(A)	
4-зубий ніж	77,0	3,9	91,6	2,4	ISO22868 (ISO11806-1)
Ріжуча головка з нейлоновим шнуром	74,0	1,9	87,1	0,9	ISO22868 (ISO11806-1)/ EN50636-2-91
Пластикова різальна пластина	75,6	1,3	85,9	2,1	ISO22868 (ISO11806-1)/ EN50636-2-91

Модель DUR190L

Різальний інструмент	Рівень звукового тиску (L_{pA}) дБ(A)		Рівень звукової потужності (L_{WA}) дБ(A)		Відповідний стандарт
	L_{pA} дБ (A)	Похибка (K) дБ(A)	L_{WA} дБ (A)	Похибка (K) дБ(A)	
4-зубий ніж	77,0	3,9	91,6	2,4	ISO22868 (ISO11806-1)
Різальна головка з нейлоновим шнуром	74,0	1,9	87,1	0,9	ISO22868 (ISO11806-1)/ EN50636-2-91
Пластикова різальна пластина	75,6	1,3	85,9	2,1	ISO22868 (ISO11806-1)/ EN50636-2-91

Модель DUR191U

Різальний інструмент	Рівень звукового тиску (L_{pA}) дБ(A)		Рівень звукової потужності (L_{WA}) дБ(A)		Відповідний стандарт
	L_{pA} дБ (A)	Похибка (K) дБ(A)	L_{WA} дБ (A)	Похибка (K) дБ(A)	
4-зубий ніж	77,0	3,9	91,6	2,4	ISO22868 (ISO11806-1)
Різальна головка з нейлоновим шнуром	74,0	1,9	87,1	0,9	ISO22868 (ISO11806-1)/ EN50636-2-91
Пластикова різальна пластина	75,6	1,3	85,9	2,1	ISO22868 (ISO11806-1)/ EN50636-2-91

Модель DUR191L

Різальний інструмент	Рівень звукового тиску (L_{pA}) дБ(A)		Рівень звукової потужності (L_{WA}) дБ(A)		Відповідний стандарт
	L_{pA} дБ (A)	Похибка (K) дБ(A)	L_{WA} дБ (A)	Похибка (K) дБ(A)	
4-зубий ніж	77,0	3,9	91,6	2,4	ISO22868 (ISO11806-1)
Різальна головка з нейлоновим шнуром	74,0	1,9	87,1	0,9	ISO22868 (ISO11806-1)/ EN50636-2-91
Пластикова різальна пластина	75,6	1,3	85,9	2,1	ISO22868 (ISO11806-1)/ EN50636-2-91

- Навіть якщо наведений вище рівень звукового тиску менше або дорівнює 80 дБ (A), рівень звукового тиску безпосередньо у місці виконання роботи може перевищувати 80 дБ (A). Користуйтеся засобами захисту органів слуху.

ПРИМІТКА: Заявлене значення шуму було виміряно відповідно до стандартних методів тестування й може використовуватися для порівняння одного інструмента з іншим.

ПРИМІТКА: Заявлене значення шуму може також використовуватися для попереднього оцінювання впливу.

▲ПОПЕРЕДЖЕННЯ: Користуйтеся засобами захисту органів слуху.

▲ПОПЕРЕДЖЕННЯ: Залежно від умов використання рівень шуму під час фактичної роботи електричного інструмента може відрізнятися від заявленого значення вібрації; особливо сильно на це впливає тип деталі, що оброблюється.

▲ПОПЕРЕДЖЕННЯ: Забезпечте належні запобіжні заходи для захисту оператора, що відповідають умовам використання інструмента (слід брати до уваги всі складові робочого циклу, як-от час, коли інструмент вимкнено та коли він починає працювати на холостому ході під час запуску).

Вібрація

Модель DUR190U

Різальний інструмент	Ліва рука		Права рука		Відповідний стандарт
	$a_{h,w}$ (м/с ²)	Похибка К (м/с ²)	$a_{h,w}$ (м/с ²)	Похибка К (м/с ²)	
4-зубий ніж	≤ 2,5	1,5	≤ 2,5	1,5	ISO22867 (ISO11806-1)
Ріжуча головка з нейлоновим шнуром	≤ 2,5	1,5	≤ 2,5	1,5	ISO22867 (ISO11806-1)
Пластикова різальна пластина	≤ 2,5	1,5	≤ 2,5	1,5	ISO22867 (ISO11806-1)

Модель DUR190L

Різальний інструмент	Ліва рука		Права рука		Відповідний стандарт
	$a_{h,w}$ (м/с ²)	Похибка К (м/с ²)	$a_{h,w}$ (м/с ²)	Похибка К (м/с ²)	
4-зубий ніж	≤ 2,5	1,5	≤ 2,5	1,5	ISO22867 (ISO11806-1)
Ріжуча головка з нейлоновим шнуром	≤ 2,5	1,5	≤ 2,5	1,5	ISO22867 (ISO11806-1)
Пластикова різальна пластина	≤ 2,5	1,5	≤ 2,5	1,5	ISO22867 (ISO11806-1)

Модель DUR191U

Різальний інструмент	Ліва рука		Права рука		Відповідний стандарт
	$a_{h,w}$ (м/с ²)	Похибка К (м/с ²)	$a_{h,w}$ (м/с ²)	Похибка К (м/с ²)	
4-зубий ніж	≤ 2,5	1,5	≤ 2,5	1,5	ISO22867 (ISO11806-1)
Ріжуча головка з нейлоновим шнуром	≤ 2,5	1,5	≤ 2,5	1,5	ISO22867 (ISO11806-1)
Пластикова різальна пластина	≤ 2,5	1,5	≤ 2,5	1,5	ISO22867 (ISO11806-1)

Модель DUR191L

Різальний інструмент	Ліва рука		Права рука		Відповідний стандарт
	$a_{h,w}$ (м/с ²)	Похибка К (м/с ²)	$a_{h,w}$ (м/с ²)	Похибка К (м/с ²)	
4-зубий ніж	≤ 2,5	1,5	≤ 2,5	1,5	ISO22867 (ISO11806-1)
Ріжуча головка з нейлоновим шнуром	≤ 2,5	1,5	≤ 2,5	1,5	ISO22867 (ISO11806-1)
Пластикова різальна пластина	≤ 2,5	1,5	≤ 2,5	1,5	ISO22867 (ISO11806-1)

ПРИМІТКА: Заявлене загальне значення вібрації було виміряно відповідно до стандартних методів тестування й може використовуватися для порівняння одного інструмента з іншим.

ПРИМІТКА: Заявлене загальне значення вібрації може також використовуватися для попереднього оцінювання впливу.

⚠ ПОПЕРЕДЖЕННЯ: Залежно від умов використання вібрація під час фактичної роботи електроінструмента може відрізнятися від заявленого значення вібрації; особливо сильно на це впливає тип деталі, що оброблюється.

⚠ ПОПЕРЕДЖЕННЯ: Забезпечте належні запобіжні заходи для захисту оператора, що відповідають умовам використання інструмента (слід брати до уваги всі складові робочого циклу, як-от час, коли інструмент вимкнено та коли він починає працювати на холостому ході під час запуску).

Символи

Далі наведено символи, які застосовуються для позначення обладнання. Перед користуванням переконайтеся, що ви розумієте їхнє значення.

	Будьте особливо уважні та обережні!
	Читайте посібник з експлуатації.
	Тримайте відстань щонайменше 15 метрів.
	Небезпечно! Пам'ятайте, що предмети можуть відскачити.
	Обережно, віддача!
	Обов'язково надягайте каску, захисні окуляри та засоби захисту органів слуху.
	Надягайте захисні рукавиці.
	Надягайте міцне взуття із підшвами, що не ковзають. Ми рекомендуємо захисне взуття зі сталевим носком.
	Не надавайте впливу вологи.
	Ti-ML Li-Ion
	Тільки для країн ЄС Не викидайте електроприлади або акумуляторні батареї разом із побутовим сміттям! Згідно з європейськими директивами про утилізацію електричного та електронного обладнання та про утилізацію батарей і акумуляторів, а також батарей та акумуляторів, термін служби яких закінчився, та їх використанням із дотриманням національних законів, електричне обладнання, батареї та акумулятори, термін служби яких закінчився, потрібно збирати окремо та відправляти на екологічно чисті підприємства з їхньої переробки.

Декларація про відповідність стандартам ЄС

Тільки для країн Європи

Декларацію про відповідність стандартам ЄС наведено в Додатку А до цієї інструкції з експлуатації.

ПОПЕРЕДЖЕННЯ ПРО ДОТРИМАННЯ ТЕХНІКИ БЕЗПЕКИ

Загальні застереження щодо техніки безпеки при роботі з електроінструментами

⚠ ПОПЕРЕДЖЕННЯ: Уважно ознайомтеся з усіма попередженнями про дотримання правил техніки безпеки, інструкціями, ілюстраціями та технічними характеристиками, що стосуються цього електроінструмента. Невиконання будь-яких інструкцій, перелічених нижче, може призвести до ураження електричним струмом, пожежі та/або тяжких травм.

Збережіть усі інструкції з техніки безпеки та експлуатації на майбутнє.

Термін «електроінструмент», зазначений у інструкції з техніки безпеки, стосується електроінструмента, який функціонує від електромережі (електроінструмент з кабелем живлення), або електроінструмента з живленням від батареї (безпроводний електроінструмент).

Важливі інструкції з техніки безпеки під час роботи з інструментом

⚠ ПОПЕРЕДЖЕННЯ: Прочитайте всі застереження стосовно техніки безпеки й усі інструкції. Недотримання попереджень й інструкцій може призвести до ураження електричним струмом, до виникнення пожежі та/або до отримання тяжких травм.

Збережіть усі попередження й інструкції для довідки на майбутнє.

Призначення

1. Цей інструмент призначений тільки для підстригання трави, бур'яну, кущів і порослі. Не дозволяється використовувати інструмент за іншим призначенням, наприклад для обробки країв і підстригання живоплоту, оскільки це може призвести до травмування.

Загальні положення

1. Не допускайте використання цього інструмента особами, які не читали ці інструкції, особами (включаючи дітей) з обмеженими фізичними, сенсорними або розумовими здібностями, а також особами, які не мають належного досвіду й знань. Не допускайте використання цього інструмента дітьми в якості іграшки.
2. Перед початком роботи прочитайте цей посібник з експлуатації для ознайомлення з порядком роботи з інструментом.
3. Не передавайте інструмент у тимчасове використання особам, які не мають достатнього досвіду чи знань стосовно поводження з кущорізами й кордовими газонокосарками.
4. Передаючи інструмент у тимчасове використання, також обов'язково передавайте й цей посібник з експлуатації.
5. З інструментом слід завжди поводитися з максимальною обережністю та увагою.
6. Заборонено використовувати інструмент після вживання ліків чи алкоголю або в разі втоми чи хворобливого стану.
7. Заборонено вносити зміни до конструкції інструмента.
8. Дотримуйтеся місцевих норм щодо поводження з кущорізами й кордовими газонокосарками.
3. Під час роботи не можна стояти на нестійкій або слизькій поверхні, а також на крутому схилі. У холодну пору року будьте обережні, працюючи на снігу або на льоду, а також подбайте про стійку опору для ніг.
4. Під час роботи сторонні особи й тварини мають перебувати на відстані щонайменше 15 м від інструмента. У разі наближення будь-якої особи або тварини негайно вимкніть інструмент.
5. Заборонено працювати з інструментом, якщо інші люди, особливо діти або домашні тварини, перебувають поблизу.
6. Перед початком роботи перевірте робочу ділянку на відсутність каміння або інших твердих предметів. Вони можуть відлетіти або призвести до віддачі, що може спричинити тяжку травму й/або пошкодження майна.
7. **▲ ПОПЕРЕДЖЕННЯ.** Під час використання цього виробу може утворюватися пил, що містить хімічні речовини, які можуть викликати захворювання дихальних шляхів або інші хвороби. Наприклад, такі хімічні речовини містяться в пестицидах, інсектицидах, добривах і гербіцидах. Ризик негативного впливу цих речовин залежить від частоти виконання такого виду роботи. Щоб зменшити вплив таких хімічних речовин, слід працювати на добре провітрюваній ділянці й використовувати схвалені засоби індивідуального захисту, як-от пілозахисні маски, спеціально призначені для фільтрації мікроскопічних частинок.

Засоби індивідуального захисту

► Рис.1

1. Надягайте захисний шолом, захисні окуляри й захисні рукавиці, щоб захистити себе від уламків, що розлітаються, або від предметів, що падають.
2. Щоб запобігти втраті слуху, користуйтеся засобами захисту органів слуху, наприклад навушниками.
3. Задля безпечної роботи надягайте відповідний одяг і взуття, наприклад робочий комбінезон та міцне взуття з підшвами, що не ковзають. Не надягайте прикраси або вільний одяг. Деталі, що рухаються, можуть захопити вільний одяг, прикраси або довге волосся.
4. Перед роботою з металеву різальною пластиною надягайте захисні рукавиці. Незахищені руки можна сильно поранити металевими різальними пластинами.

Безпека на робочому місці

1. Працюйте з інструментом тільки вдень за умов гарної видимості. Заборонено працювати з інструментом у темний час доби або в умовах туману.
2. Не використовуйте інструмент у вибухонебезпечних місцях, наприклад за наявності легкозаймистих рідин, газів чи пилу. Робота інструмента супроводжується утворенням іскор, які можуть спричинити займання пилу або випарів.

Електробезпека й техніка безпеки під час роботи з акумулятором

1. Не піддавайте інструмент впливу дощу або вологи. У випадку потрапляння води в інструмент підвищується ризик ураження електричним струмом.
2. Не використовуйте інструмент із несправним вимикачем. Інструмент із несправним вимикачем є джерелом небезпеки й підлягає ремонту.
3. Запобігайте випадковому запуску пристрою. Перш ніж установлювати акумулятор, піднімати або переносити інструмент, слід переконатися в тому, що вимикач перебуває в положенні «вимкнено». Перенесення інструмента з пальцем на вимикачі або подання живлення на інструмент із вимикачем у положенні «ввімкнено» може призвести до нещасного випадку.
4. Не спалюйте акумулятори. Акумулятор може вибухнути. Ознайомтеся з місцевими законами, які можуть містити спеціальні інструкції щодо утилізації відходів.
5. Не відкривайте й не деформуйте акумулятори. Електроліт є їдкою речовиною, тому в разі контакту зі шкірою або очима може завдати травми. У разі проковтування він може бути токсичним.
6. Не заряджайте акумулятор під дощем або в місцях із підвищеною вологістю.

Підготовка до роботи

1. Перш ніж збирати або регулювати обладнання, вийміть касету з акумулятором.
2. Перед початком роботи з металеву різальну пластину надягайте захисні рукавиці.
3. Перш ніж установити касету з акумулятором, перевірте інструмент на відсутність пошкоджень, послаблених гвинтів/гайок і переконайтеся в тому, що інструмент зібрано належним чином. Металева різальну пластину, яка затупилося, слід заточити. Якщо металеву різальну пластину деформовано або пошкоджено, замініть її. Перевірте належне функціонування всіх важелів керування й вимикачів. Очистьте рукоятки й витріть їх насухо.
4. Заборонено запускати інструмент, якщо його пошкоджено або на нього встановлено не всі деталі. Це може призвести до отримання тяжких травм.
5. Відрегулюйте плечовий ремінь і рукоятку відповідно до зросту й комплекції оператора.
6. Під час установлення касети з акумулятором тримайте різальну насадку на безпечній відстані від тіла й інших предметів, включаючи землю. Різальна насадка може почати обертатися під час запуску й призвести до травмування або пошкодження інструментом або майна.
7. Перед увімкненням інструмента видаліть регулювальний ключ, гайковий ключ або захисний кожух металевої різальної пластини. Приналежність, яка залишилася прикріпленою до рухомої частини інструмента, може призвести до травмування.
8. Різальний інструмент необхідно обладнати захисним кожухом. Не працюйте з інструментом, якщо захисний кожух пошкоджено або не встановлено!
9. Переконайтеся у відсутності електричних кабелів, водопровідних і газових труб тощо, які можуть становити небезпеку в разі пошкодження їх інструментом.

Робота

1. У разі надзвичайної ситуації негайно вимкніть інструмент.
2. Якщо під час роботи інструмент почав працювати ненормально (наприклад, з'явився незвичайний шум або вібрація), вимкніть інструмент і вийміть касету з акумулятором. Не використовуйте інструмент, доки причину несправності не буде знайдено й усунуто.
3. Різальна насадка продовжує обертатися протягом деякого часу після вимкнення інструмента. Не поспішайте торкатися різальної насадки.
4. Під час роботи використовуйте плечовий ремінь. Міцно тримайте інструмент праворуч від себе.
5. Використовуючи інструмент, не тягніться занадто далеко. Завжди твердо стійте на ногах і тримайте рівновагу. Будьте уважні, щоб не спіткнутися, оскільки на місці роботи можуть бути приховані перешкоди, наприклад пні, коріння або канави.
6. Працюючи на схилах, обов'язково займайте стійке положення.
7. Пересувайтеся повільно, не переходьте на біг.
8. Щоб не допустити втрати контролю, не працюйте, стоячи на дереві або на драбині.
9. Якщо інструмент зазнав сильного удару або впад, перевірте його стан, перш ніж продовжувати роботу. Переконайтеся в тому, що органи керування й запобіжні пристрої працюють належним чином. У разі виявлення пошкоджень або виникнення сумнівів зверніться до нашого авторизованого сервісного центру для проведення огляду інструмента та його ремонту.
10. Відпочивайте, щоб не допустити втрати контролю внаслідок перевтоми. Рекомендовано щогодини роботи перерву на 10–20 хвилин.
11. Якщо ви залишаєте інструмент навіть на короткий час, обов'язково виймайте касету з акумулятором. Якщо залишити без нагляду інструмент з установленою касетою з акумулятором, інструментом може скористатися стороння особа, що може призвести до тяжкої травми.
12. Якщо між різальною насадкою й захисним кожухом застрягла трава або гілки, зупиніть інструмент і видаліть касету з акумулятором, перш ніж очистити інструмент. За недотримання цієї вимоги різальна насадка може випадково почати обертатися і спричинити важку травму.
13. Торкатися небезпечних рухомих деталей дозволяється лише тоді, коли їх повністю зупинено, а касету з акумулятором вийнято.
14. Якщо різальна насадка наштовхується на каміння або інші тверді предмети, слід негайно вимкнути інструмент. Вийміть касету з акумулятором і огляньте різальну насадку.
15. Під час роботи регулярно перевіряйте різальну насадку на відсутність тріщин або інших пошкоджень. Перед початком перевірки вийміть касету з акумулятором і дочекайтеся повної зупинки різальної насадки. Відразу замініть пошкоджену різальну насадку, навіть якщо вона має тільки поверхневі тріщини.
16. Не ріжте вище рівня пояса.
17. Перед початком різання почекайте, доки після ввімкнення інструмента різальна насадка досягне постійної частоти обертання.
18. Під час використання металевої різальної пластини рівномірно пересувайте інструмент пірколом із правого боку ліворуч, наче використовуєте косу.
19. Інструмент слід тримати тільки за ізольовані поверхні держака, оскільки лезо різак може зачепити приховану електропроводку. Торкання металевою різальною пластиною дроту під напругою може призвести до передавання напруги до оголених металевих частин інструмента й до ураження оператора електричним струмом.

20. Не вмикайте інструмент, якщо в різальному інструменті заплуталася скошена трава.
 21. Перед запуском інструмента переконайтеся в тому, що різальний інструмент не торкається землі й інших перешкод, наприклад дерева.
 22. Під час роботи завжди тримайте інструмент обома руками. Під час роботи заборонено тримати інструмент однією рукою.
 23. Не використовуйте інструмент за несприятливих погодних умов або якщо існує ризик ураження блискавкою.
3. Щоб запобігти віддачі:
 1. Використовуйте сегмент різальної пластини між 8 й 11 годинами.
 2. Заборонено використовувати сегмент різальної пластини між 12 й 2 годинами.
 3. Якщо оператор володіє відповідними знаннями та досвідом, то йому на власний страх і ризик дозволяється використовувати сегменти між 11 й 12 годинами та між 2 та 5 годинами.
 4. Заборонено використовувати металеві різальні пластини поблизу твердих предметів, як-от біля парканів, стін, стовбурів дерев і каміння.
 5. Заборонено використовувати металеві різальні пластини у вертикальному положенні, наприклад для обробки країв і підстригання живоплоту.

Різальні інструменти

1. Не використовуйте різальний інструмент, не рекомендований нами.
2. Для роботи слід використовувати відповідну різальну насадку.
 - Різальні головки з нейлоновим шнуром (головки кордових газонокосарок) і пластикові різальні пластини підходять для підрізування газонної трави.
 - Металеві різальні пластини підходять для скошування бур'яну, високої трави, кущів, підліска, молодих насаджень і подібної рослинності.
 - Заборонено використовувати інші леза, включаючи металеві багатоконпонентні поворотні ланцюги й шарнірні ножі. Це може призвести до тяжких травм.
3. Використовуйте тільки такі різальні інструменти, на яких зазначена частота обертання дорівнює частоті, зазначеній на інструменті, або перевищує її.
4. Під час обертання різального інструмента тримайте його на відстані від рук, обличчя й одягу. Невиконання цієї вимоги може призвести до отримання травми.
5. Разом із різальною насадкою слід завжди використовувати захисний кожух відповідного розміру.
6. Під час використання металевих різальних пластин уникайте віддачі, однак будьте завжди готовими до її раптового виникнення. Див. розділ «Віддача».
7. Коли інструмент не використовується, установіть на металеву різальну пластину захисний кожух. Зніміть кожух перед початком роботи.

Віддача (ривок різальної пластини)

1. Віддача (ривок різальної пластини) – це раптова реакція на защемлення або заклинювання різальної пластини. Під час віддачі відбувається різкий рух інструмента вбік або в напрямку оператора з великою силою, що може привести до тяжкої травми.
2. Особливо часто віддача виникає в разі контакту інструмента з твердими предметами, кущами й деревами діаметром від 3 см у ділянці сегмента різальної пластини, розташованого між 12 й 2 годинами.

► Рис.2

► Рис.3

Вібрація

1. В осіб, що мають проблеми з кровообігом і перебувають під дією надмірних вібрацій, можуть виникати пошкодження кровоносних судин або нервової системи. Вібрація може спричинити вказані нижче симптоми, які з'являються в пальцях, руках чи зап'ястках: затікання (оніміння), пощипування, біль, гострий біль, змінення кольору шкіри. У разі появи будь-якого із зазначених симптомів зверніться до лікаря!
2. Щоб знизити ризик отримання синдрому білих пальців, слід тримати інструмент і приладдя в належному стані й дбати про те, щоб під час роботи руки залишалися теплими.

Транспортування

1. Для транспортування інструмента вимкніть його й вийміть касету з акумулятором. Установіть кожух на металеву різальну пластину.
2. Транспортувати інструмент потрібно в горизонтальному положенні, тримаючи його за штангу.
3. Під час транспортування в автомобілі необхідно належним чином зафіксувати інструмент, щоб не допустити його перекидання. Недотримання цієї вимоги може призвести до пошкодження інструмента й іншого багажу.

Технічне обслуговування

1. Обслуговування інструмента має проводитися лише в нашому авторизованому сервісному центрі з використанням оригінальних запасних частин. Технічне обслуговування та ремонт, проведені неналежним чином, можуть призвести до скорочення терміну служби інструмента й до підвищення ризику виникнення нещасних випадків.
2. Перед виконанням будь-яких робіт із технічного обслуговування, ремонту або чищення інструмента слід вимикати інструмент і виймати касету з акумулятором.
3. Під час виконання будь-яких дій із металевими різальними пластинами надягайте захисні рукавиці.

4. **Обов'язково очищуйте інструмент від пилу й бруду.** У жодному разі не використовуйте для цього газолін, бензин, розріджувач, спирт абощо. Це може призвести до знебарвлення, деформації або появи тріщин на пластмасових деталях.
5. **Після кожного використання затягуйте всі гвинти й гайки.**
6. **Не намагайтеся виконувати роботи з технічного обслуговування або ремонту, не зазначені в посібнику з експлуатації.** Такі роботи мають виконуватися співробітниками нашого авторизованого сервісного центру.
7. **Використовуйте тільки оригінальні запасні частини й додаткове приладдя.** Використання запасних частин або додаткового приладдя сторонніх виробників може призвести до виходу інструмента з ладу, завдання шкоди майну й/або отримання тяжких травм.
8. **Регулярно звертайтеся до нашого авторизованого сервісного центру для проведення огляду й технічного обслуговування інструмента.**
9. **Тримайте інструмент у належному робочому стані.** Неналежне технічне обслуговування може призвести до погіршення продуктивності й скоротити термін служби інструмента.

Зберігання

1. **Готуючи інструмент до зберігання, виконайте повне очищення й технічне обслуговування.** Зніміть касету з акумулятором. Установіть кожух на металеву різальну пластину.
2. **Зберігайте інструмент у сухому недоступному для дітей місці – на високій полиці або в зачиненому приміщенні.**
3. **Забороно притупляти інструмент до якоїсь поверхні, наприклад до стіни.** За недотримання цієї вимоги інструмент може несподівано впасти й спричинити травму.

Перша допомога

1. **Аптечка першої медичної допомоги має постійно бути неподалік від місця роботи.** Відразу замінійте складові аптечки, які було використано.
2. **Викликаючи допомогу, надайте таку інформацію:**
 - місце нещасного випадку;
 - що сталося;
 - кількість поранених осіб;
 - характер травми;
 - свої ім'я та прізвище.

Важливі інструкції з безпеки для касети з акумулятором

1. **Перед тим як користуватися касетою з акумулятором, слід прочитати всі інструкції та застережні знаки щодо (1) зарядного пристрою акумулятора, (2) акумулятора та (3) виробів, що працюють від акумулятора.**
2. **Не слід розбирати касету з акумулятором.**
3. **Якщо період роботи дуже покоротшав, слід негайно припинити користування.** Це може призвести до виникнення ризику перегріву, опіку та навіть вибуху.

4. **У разі потрапляння електроліту в очі слід промити їх чистою водою та негайно звернутися до лікаря.** Це може призвести до втрати зору.
5. **Не закоротіть касету з акумулятором.**
 - (1) **Не слід торкатися клем будь-яким струмопровідним матеріалом.**
 - (2) **Не слід зберігати касету з акумулятором у ємності з іншими металевими предметами, такими як цвяхи, монети тощо.**
 - (3) **Не залишайте касету з акумулятором під дощем, запобігайте контакту з водою.**

Коротке замикання може призвести до появи значного струму, перегріву, можливих опіків та навіть виходу з ладу.

6. **Не слід зберігати інструмент та касету з акумулятором в місцях, де температура може сягнути чи перевищити 50°C (122°F).**
7. **Не слід спалювати касету з акумулятором, навіть якщо вона була неодноразово пошкоджена або повністю спрацьована.** Касета з акумулятором може вибухнути у вогні.
8. **Не слід кидати або ударяти акумулятор.**
9. **Не слід використовувати пошкоджений акумулятор.**
10. **Літій-іонні акумулятори, що містяться в інструменті, мають відповідати вимогам законів про безпечні товари.** Під час транспортування за допомогою комерційних перевезень, наприклад із залученням третьої сторони та експедиторів, необхідно дотримуватися особливих вимог, вказаних на пакуванні й у маркуванні. Під час підготування позиції до відправлення необхідно проконсультуватися зі спеціалістом з небезпечних матеріалів. Крім того, слід виконувати більш докладні національні настанови, якщо такі є. Заклейте відкриті контакти стрічкою або заховайте їх і запакуйте акумулятор таким чином, щоб він не міг рухатися в пакуванні.
11. **Для утилізації касети з акумулятором витягніть її з інструмента та утилізуйте безпечним способом.** Дотримуйтеся норм місцевого законодавства щодо утилізації акумуляторів.
12. **Використовуйте акумулятори лише з виробами, указаними компанією Makita.** Установлення акумуляторів у невідповідні вироби може призвести до пожежі, надмірного нагрівання, вибуху чи витoku електроліту.
13. **Якщо інструментом не користуватимуться протягом тривалого періоду часу, вийміть акумулятор з інструмента.**

ЗБЕРІГАЙТЕ ЦІ ВКАЗІВКИ.

⚠ОБЕРЕЖНО: Використовуйте тільки акумулятори Makita. Використання акумуляторів, інших ніж оригінальні акумулятори Makita, або акумуляторів, конструкцію яких було змінено, може призвести до вибуху акумулятора і спричинити пожежу, травму або пошкодження. У зв'язку з цим також буде анульовано гарантію Makita на інструмент Makita і на зарядний пристрій.

Поради з забезпечення максимального строку експлуатації акумулятора

1. Касету з акумулятором слід заряджати до того, як він розрядиться повністю. Завжди слід зупиняти роботу інструмента та зарядити акумулятор, якщо ви помітили зменшення потужності інструмента.
2. Ніколи не слід заряджати повторно повністю заряджену касету з акумулятором. Перезарядження скорочує строк експлуатації акумулятора.
3. Заряджайте касету з акумулятором при кімнатній температурі 10°C - 40°C (50°F - 104°F). Перед тим як заряджати касету з акумулятором, слід зачекати, доки вона охолоне.
4. Якщо касета з акумулятором не використовувалася тривалий час (понад шість місяців), її слід зарядити.

ОПИС ДЕТАЛЕЙ

► Рис.4

1	Індикатор швидкості	2	Індикатор системи ADT (автоматичного перемикання частоти)	3	Попереджувальна лампа	4	Головна кнопка живлення
5	Кнопка зворотного ходу	6	Касета з акумулятором	7	Важіль блокування вимкненого положення	8	Курок вмикача
9	Хомут	10	Ручка	11	Захисний обмежувач (залежить від країни)	12	Захисний пристрій
13	Важіль блокування (тільки DUR191U і DUR191L)	14	Кришка з'єднання (тільки DUR191U і DUR191L)	15	Ковпачок (тільки DUR191U і DUR191L)	16	Плечовий ремінь

ОПИС РОБОТИ

▲ ПОПЕРЕДЖЕННЯ: Перед регулюванням або перевіркою функціонування інструмента обов'язково переконайтеся, що прилад вимкнено, а касету з акумулятором знято. Якщо інструмент не вимкнути та не зняти касету з акумулятором, це може призвести до серйозних травм внаслідок випадкового запуску інструмента.

Встановлення та зняття касети з акумулятором

▲ ОБЕРЕЖНО: Завжди вимикайте інструмент перед встановленням або зняттям касети з акумулятором.

▲ ОБЕРЕЖНО: Під час встановлення або зняття касети з акумулятором слід міцно тримати інструмент та касету з акумулятором. Якщо ви утримуватимете інструмент та касету з акумулятором недостатньо міцно, вони можуть вислизнути з рук, що може призвести до пошкодження інструмента та касети з акумулятором або може спричинити травми.

► Рис.5: 1. Червоний індикатор 2. Кнопка 3. Касета з акумулятором

Щоб зняти касету з акумулятором, слід витягнути її з інструмента, натиснувши на кнопку в передній частині касети.

Щоб установити касету з акумулятором, слід сумістити виступ на касеті з акумулятором із пазом у корпусі та вставити касету на місце. Її необхідно вставити повністю, аж доки не почуєте клацання. Якщо на верхній частині кнопки помітний червоний індикатор, це означає, що касета з акумулятором установлена не до кінця.

▲ ОБЕРЕЖНО: Завжди вставляйте касету з акумулятором повністю, аж поки червоний індикатор стане невидимим. Якщо цього не зробити, касета може випадково випасти з інструмента та завдати травми вам або людям, що знаходяться поряд.

▲ ОБЕРЕЖНО: Не встановлюйте касету з акумулятором із зусиллям. Якщо касета не вставляється легко, то це означає, що ви її неправильно вставляєте.

Система захисту інструмента/акумулятора

Інструмент оснащено системою захисту інструмента/акумулятора. Ця система автоматично вимикає живлення двигуна з метою збільшення терміну служби інструмента й акумулятора. Інструмент автоматично зупиняється під час роботи за будь-якої з умов, зазначених нижче:

Попереджувальна лампа			Стан
Колір	● Горить	● Блімає	
Червоний		●	Перевантаження
Червоний	●		Перегрів
Червоний		●	Надмірна розрядка

Захист від перевантаження

Інструмент автоматично зупиняється й попереджувальна лампа починає блимати червоним у разі виникнення під час роботи однієї із зазначених далі ситуацій.

— Інструмент перевантажено через застряглий бур'ян або інше сміття.

- Різальний інструмент заблоковано або відкинуто віддачею.
- Головна кнопка живлення перебуває в положенні «ввімкнено» під час натискання курка вмикача.

У цій ситуації відпустіть курок вмикача й видаліть скошену траву або інше сміття, якщо необхідно. Після цього знову натисніть курок вмикача для продовження.

⚠ОБЕРЕЖНО: Якщо необхідно очистити інструмент від застряглого бур'яну або розблокувати заблокований різальний інструмент, не забудьте спочатку вимкнути інструмент.

Захист від перегрівання інструмента або акумулятора

Коли інструмент або касета з акумулятором перегрівается, інструмент зупиняється автоматично. У разі перегрівання інструмента або касети з акумулятором індикатор швидкості та індикатор ADT вимикаються, а лампа попередження спалахує червоним. Дайте інструменту й/або акумулятору охолонути, перш ніж знову вмикати інструмент.

Захист від надмірного розрядження

Коли заряд акумулятора стає замалим, інструмент автоматично зупиняється. Індикатор швидкості та індикатор ADT вимикаються, а лампа попередження починає блимати червоним.

Якщо інструмент не працює навіть після натискання вмикачів, витягніть з інструмента касету з акумулятором і зарядіть її.

Відображення залишкового заряду акумулятора

Тільки для касет з акумулятором, які мають індикатори

► **Рис.6:** 1. Індикаторні лампи 2. Кнопка перевірки

Натисніть кнопку перевірки на касеті з акумулятором для відображення залишкового ресурсу акумулятора. Індикаторні лампи загоряться на кілька секунд.

Індикаторні лампи			Залишковий ресурс
Горить	Вимк.	Блимає	
■	□	▧	від 75 до 100%
■ ■ ■ ■	□		
■ ■ ■ □	□		від 50 до 75%
■ ■ □ □	□		від 25 до 50%
■ □ □ □	□		від 0 до 25%
▧ □ □ □	□		Зарядіть акумулятор.
■ ■ □ □	□		Можливо, акумулятор вийшов з ладу.
□ □ ■ ■	□		

ПРИМІТКА: Залежно від умов використання та температури оточуючого середовища показання можуть незначним чином відрізнятися від дійсного ресурсу.

Вимикач живлення

Щоб увімкнути інструмент, натисніть головну кнопку живлення.

Щоб вимкнути інструмент, натисніть і утримуйте головну кнопку живлення, доки не згасне індикатор частоти обертання.

► **Рис.7:** 1. Індикатор частоти обертання 2. Головна кнопка живлення

ПРИМІТКА: Інструмент автоматично вимикається, якщо не виконувати з ним жодних дій протягом певного часу.

Дія вмикача

⚠ПОПЕРЕДЖЕННЯ: Перед встановленням касети з акумулятором на інструмент слід перевірити належну роботу курка вмикача, тобто щоб він повертався у положення «ВИМК.», коли його відпускають. Робота з інструментом, вмикач якого не спрацьовує належним чином, може призвести до втрати контролю над інструментом та до отримання серйозних травм.

⚠ОБЕРЕЖНО: Під час перенесення не тримайте палець на перемикачі. Може статися несанкціонований запуск інструмента, що призведе до травмування.

Для запобігання випадковому натисканню курка вмикача передбачено важіль блокування вимкненого положення.

Щоб запустити інструмент, стисніть ручку (це вивільнить важіль блокування вимкненого положення), а потім натисніть на курок вмикача. Щоб зупинити інструмент, відпустіть курок вмикача.

DUR190U і DUR191U

► **Рис.8:** 1. Важіль блокування вимкненого положення 2. Курок вмикача

DUR190L і DUR191L

► **Рис.9:** 1. Важіль блокування вимкненого положення 2. Курок вмикача

ПРИМІТКА: Інструмент автоматично вимикається, якщо протягом певного часу ним не користуються.

Налаштування швидкості

Вибрати робочу частоту інструмента можна, коротко натискаючи головну кнопку живлення. За кожного короткого натискання головної кнопки живлення рівень частоти обертання змінюється.

► **Рис.10:** 1. Індикатор частоти обертання 2. Головна кнопка живлення 3. Індикатор системи ADT

Індикатор частоти обертання	Режим	Швидкість обертання
	ADT	3 500 - 6 000 хв ⁻¹
	Висока	6 000 хв ⁻¹
	Середня	5 100 хв ⁻¹
	Низька	3 500 хв ⁻¹

ПРИМІТКА: Під час активації технології автоматичної зміни крутного моменту (ADT) вмикається індикатор ADT, і інструмент починає працювати з оптимальною частотою обертання та крутним моментом залежно від стану трави, що зрізується.

Кнопка зворотного ходу для видалення сміття

ПОПЕРЕДЖЕННЯ: Вимкніть інструмент і вийміть касету з акумулятором, перш ніж видалити бур'ян або сміття, яке застрягло в інструменті та яке не вдасться видалити за допомогою функції зворотного ходу. Якщо інструмент не вимкнута та не зняти касету з акумулятором, це може призвести до серйозних травм внаслідок випадкового запуску інструмента.

Цей інструмент обладнаний кнопкою зворотного ходу для зміни напрямку обертання. Вона призначена лише для видалення бур'яну та сміття, що застрягли в інструменті.

Для змінення напрямку обертання торкніться кнопки реверсу й натисніть курок вмикача, натискаючи важіль блокування після зупинення різального інструмента. Після натискання курка вмикача індикатори частоти обертання й індикатор системи ADT почнуть блимати, а різальний інструмент обертається в протилежному напрямку. Щоб повернутися до звичайного режиму обертання, відпустіть курок вмикача й зачекайте, доки різальний інструмент не зупиниться.

- **Рис.11:** 1. Індикатор частоти обертання
2. Індикатор системи ADT 3. Кнопка зворотного ходу

ПРИМІТКА: Інструмент працює в режимі зворотного напрямку обертання лише протягом короткого періоду часу, а потім автоматично вимикається.

ПРИМІТКА: Після зупинення інструмент повертається до звичайного режиму обертання, якщо його запустити знову.

ПРИМІТКА: Якщо натиснути кнопку зворотного ходу, коли різальний інструмент обертається, інструмент зупиниться й буде готовий до обертання у зворотному напрямку.

Електричне гальмо

Цей інструмент обладнано електричним гальмом. Якщо після відпускання курка вмикача не відбувається швидкого зупинення інструмента, зверніться до нашого сервісного центру для обслуговування інструмента.

ПОПЕРЕДЖЕННЯ: Гальмівна система різального інструмента не замінює захисний пристрій. Заборонено використовувати інструмент без захисного пристрою. Використання різального інструмента без захисного кожуха може призвести до тяжкої травми.

ЗБОРКА

ПОПЕРЕДЖЕННЯ: Перед тим як проводити будь-які роботи на інструменті, слід переконатися, що інструмент вимкнено й касету з акумулятором знято. Якщо інструмент не вимкнута та не зняти касету з акумулятором, це може призвести до серйозних травм внаслідок випадкового запуску інструмента.

ПОПЕРЕДЖЕННЯ: Запускайте інструмент тільки в повністю зібраному стані. Робота з частково зібраними інструментами може призвести до важких травм через випадкове увімкнення.

Встановлення ручки

Тільки для DUR190U і DUR191U

1. Вставте вал ручки в рукоятку. Сумістіть отвір для гвинта в рукоятці з отвором у валу. Надійно затягніть гвинт.

► **Рис.12:** 1. Рукоятка 2. Гвинт 3. Ручка

2. Помістіть ручку між затискачем ручки та тримачем ручки. Налаштуйте ручку на такий кут, який забезпечить зручне робоче положення, потім міцно затягніть ручку болтами з шестигранними головками.

► **Рис.13:** 1. Болт із шестигранною головкою
2. Затискач ручки 3. Тримач рукоятки

Монтаж захисного обмежувача

Для DUR190L і DUR191L

Якщо захисний обмежувач входить до комплекту поставки моделі, прикріпіть його до рукоятки гвинтом, розташованим на обмежувачі.

► **Рис.14:** 1. Захисний обмежувач 2. Гвинт

ПОПЕРЕДЖЕННЯ: Після монтажу обмежувача не знімайте його. Обмежувач працює в якості захисного елемента для запобігання випадковому контакту з металевою різальною пластиною.

Монтаж трубки-насадки

Тільки для DUR191U і DUR191L

Монтаж трубки-насадки на приводний блок.

1. Поверніть важіль у напрямку, вказаному стрілкою на малюнку.

► **Рис.15:** 1. Важіль

2. Потягніть догори кришку з'єднання і вставте трубку-насадку, сумістивши виступ на трубці (на стороні різального інструмента) з увігнутою частиною з'єднання.

► **Рис.16:** 1. Важіль блокування 2. Кришка з'єднання 3. Трубка

Перевірте, щоб поверхня важеля блокування була розташована паралельно до трубки.

3. Поверніть важіль у напрямку, вказаному стрілкою на малюнку.

► **Рис.17:** 1. Важіль

Щоб зняти трубку, поверніть важіль у напрямку, вказаному стрілкою на малюнку, і витягніть її, натискаючи важіль блокування донизу.

► **Рис.18:** 1. Важіль 2. Важіль блокування 3. Трубка

Установлення захисного пристрою

▲ ПОПЕРЕДЖЕННЯ: Не використовуйте інструмент без захисного кожуха, встановленого, як це показано на ілюстрації. У протилежному випадку це може призвести до серйозних травм.

▲ ОБЕРЕЖНО: Будьте уважними, щоб не поранитись ножом для відрізання нейлонового шнура.

Прикріпіть захисний пристрій до затискача болтами.

► **Рис.19:** 1. Затискач 2. Захисний пристрій 3. Різак

Установлення різального інструмента

ПРИМІТКА: Тип різальних інструментів, що входять у стандартну комплектацію, залежить від країни. У деяких країнах різальний інструмент не входить до стандартної комплектації.

ПРИМІТКА: Щоб полегшити процес заміни різального інструмента, пристрій слід перевернути.

Лезо різака

▲ ОБЕРЕЖНО: Під час роботи з металевим різальним пластиною завжди надягайте рукавички й установлюйте на пластину кожух леза.

▲ ОБЕРЕЖНО: Лезо різака має бути добре заточеною, на ній не повинно бути тріщин або пошкоджень. Якщо під час експлуатації лезо різака вдарилася об камінь, негайно зупиніть інструмент і огляньте пластину.

▲ ОБЕРЕЖНО: Використовуйте металеву різальну пластину тільки того діаметра, який зазначено в розділі технічних характеристик.

► **Рис.20:** 1. Гайка 2. Ковпачок 3. Затискна шайба 4. Лезо різака 5. Шпindel 6. Захисний кожух 7. Кнопка блокування шпинделя

1. Установіть лезо різака на захисний кожух таким чином, аби стрілки на різальній пластині й на захисному пристрої вказували в одному напрямку.

► **Рис.21:** 1. Стрілка

2. Установіть затискну шайбу та втулку на лезо різака.

3. Утримуючи натисненою кнопку блокування шпинделя, щільно затягніть гайку торцевим ключем.

► **Рис.22:** 1. Кнопка блокування шпинделя 2. Торцевий ключ 3. Послабити 4. Затягнути

Для видалення різального леза послабте гайку, утримуючи кнопку блокування шпинделя.

Різальна головка з нейлоновим шнуром

УВАГА: Переконайтеся, що ви використовуєте оригінальну різальну головку з нейлоновим шнуром Makita.

Утримуючи кнопку блокування шпинделя, установіть різальну головку з нейлоновим шнуром на вал і міцно затягніть уручну.

► **Рис.23:** 1. Ріжуча головка з нейлоновим шнуром 2. Шпindel 3. Кнопка блокування шпинделя 4. Послабити 5. Затягнути

Утримуючи кнопку блокування шпинделя, послабте різальну головку з нейлоновим шнуром, утримуючи кнопку блокування шпинделя.

Пластикова різальна пластина

УВАГА: Допускається використання тільки оригінальної пластикової різальної пластини Makita.

Утримуючи кнопку блокування шпинделя, установіть пластикову різальну пластину на шпindel і надійно затягніть її вручну.

► **Рис.24:** 1. Пластикова різальна пластина 2. Шпindel 3. Кнопка блокування шпинделя 4. Послаблення 5. Затягування

Для видалення пластикової різальної пластини послабте пластикову різальну пластину, утримуючи кнопку блокування шпинделя.

ПРИМІТКА: Для установки або видалення різального інструмента можна використовувати шестигранний ключ із комплекту поставки. Щоб заблокувати шпindel, вставте шестигранний ключ в отвір, як показано на малюнку.

► **Рис.25:** 1. Шестигранний ключ 2. Отвір

▲ ОБЕРЕЖНО: Для видалення або установки різального інструмента завжди використовуйте ключі з комплекту поставки.

▲ ОБЕРЕЖНО: Після монтажу різального інструмента не забудьте виняти шестигранний ключ із головки інструмента.

Регулювання положення ручки/хомута

Відрегулюйте положення рукоятки й гачка для підвищення для максимальної зручності в роботі.

Для DUR190U і DUR191U

Відрегулюйте положення рукоятки / гачка таким чином, щоб інструмент перебував у межах діапазону, як зазначено нижче.

► Рис.26

1	Відстань від пристрою для підвішування до землі.
2	Відстань від різального інструмента до землі.
3	Горизонтальна відстань між гачком і незахищеною частиною різального інструмента.

Ослабте болти з шестигранными головками на нижній стороні тримача ручки. Перемістіть ручку у зручне для роботи положення, після чого затягніть болти.

► Рис.27: 1. Тримач ручки 2. Болт із шестигранною головкою 3. Ручка

Ослабте болти з шестигранными головками на хомуті. Перемістіть хомут у зручне для роботи положення, після чого затягніть болти.

► Рис.28: 1. Болт із шестигранною головкою 2. Хомут

Для DUR190L і DUR191L

Ослабте болти з шестигранными головками на ручці. Перемістіть ручку у зручне для роботи положення, після чого затягніть болти.

► Рис.29: 1. Болт із шестигранною головкою 2. Ручка

Ослабте болт із шестигранною головкою на хомуті. Перемістіть хомут у зручне для роботи положення, після чого затягніть болт.

► Рис.30: 1. Болт із шестигранною головкою 2. Хомут

Зберігання шестигранного ключа

Коли шестигранний ключ не використовується, зберігайте його, як показано на малюнку, щоб він не загубився.

► Рис.31: 1. Шестигранний ключ

Тільки для DUR190L і DUR191L

► Рис.32: 1. Ручка 2. Шестигранний ключ

РОБОТА

Приєднання плечевого ремня

▲ОБЕРЕЖНО: Завжди використовуйте приєднаний до інструмента плечовий ремінь. Перш ніж розпочати роботу, відрегулюйте плечовий ремінь відповідно до зросту й комплекції користувача, щоб не допускати перевтоми.

▲ОБЕРЕЖНО: Перед початком роботи переконайтеся в тому, що плечовий ремінь правильно прикріплено до пристрою для підвішування інструмента.

Приєднайте гак плечевого ремня до хомути, після чого надягніть плечовий ремінь. Переконайтеся в надійному утриманні інструмента на плечовому реміні.

DUR190U і DUR191U

► Рис.33: 1. Гак 2. Хомут

DUR190L і DUR191L

► Рис.34: 1. Гак 2. Хомут

Від'єднання

На плечовому реміні передбачені засоби швидкого роз'єднання.

DUR190U і DUR191U

► Рис.35: 1. Смужка

Потягніть смужку, щоб відстебнути інструмент від плечевого ремня.

DUR190L і DUR191L

► Рис.36: 1. Застібка

Просто стисніть застібку з обох боків, щоб відстебнути інструмент від плечевого ремня.

Правильне поводження з інструментом

▲ПОПЕРЕДЖЕННЯ: Завжди тримайте інструмент праворуч від себе. Правильне розташування інструмента забезпечує його максимальний контроль та знижує ризик отримання серйозних травм внаслідок віддачі.

▲ПОПЕРЕДЖЕННЯ: Будьте надзвичайно обережні й постійно зберігайте контроль над інструментом. Не дозволяйте інструменту відхилитися у ваш бік або в бік інших осіб, що знаходяться поблизу місця роботи. Через втрату контролю над інструментом оператор та інші особи можуть отримати серйозні травми.

▲ПОПЕРЕДЖЕННЯ: Якщо на одній ділянці працюють двос чи більше операторів, з метою запобігання нещасним випадкам слід дотримуватися дистанції 15 м (50 футів). Окрім цього слід призначити окрему особу, яка буде наглядати за дотриманням дистанції між операторами. Робота має бути негайно зупинена в разі потрапляння на ділянку будь-якої іншої людини чи тварини.

▲ОБЕРЕЖНО: Якщо під час роботи різальний інструмент випадково вдариться об камінь або твердий предмет, зупиніть інструмент і перевірте його на наявність пошкоджень. Якщо різальний інструмент пошкоджений, негайно замініть його. Використання пошкодженого різального інструмента може призвести до тяжких травм.

▲ОБЕРЕЖНО: Перед зрізанням трави зніміть захисний кожух із металеві різальної пластини.

Правильне розташування й керування забезпечують оптимальний контроль і знижують ризик травми через віддачу.

DUR190U і DUR191U

► Рис.37

DUR190L і DUR191L

► Рис.38

У разі використання різальної головки з нейлоновим шнуром (з ударною подачею)

Різальна головка з нейлоновим шнуром – це головка кордової газонокосарки з двома шнурами, обладнана механізмом випускання шнура за допомогою удару.

Щоб випустити нейлоновий шнур, злегка вдарте об землю різальну головку ввімкненої газонокосарки.

► **Рис.39:** 1. Сектор, найефективніший для різання

УВАГА: Механізм висування за допомогою удару не буде діяти належним чином, якщо різальна головка з нейлоновим шнуром не обертатся.

ПРИМІТКА: Якщо нейлоновий шнур не висувається за допомогою удару, перемотайте або замініть його, як це описано нижче в розділі «Технічне обслуговування».

ТЕХНІЧНЕ ОБСЛУГОВУВАННЯ

▲ПОПЕРЕДЖЕННЯ: Перед тим як оглядати інструмент або проводити його технічне обслуговування, слід переконатися, що інструмент вимкнено й касету з акумулятором знято. Якщо інструмент не вимкнути та не зняти касету з акумулятором, це може призвести до серйозних травм внаслідок випадкового запуску інструмента.

УВАГА: Ніколи не використовуйте газолін, бензин, розріджувач, спирт та подібні речовини. Їх використання може призвести до зміни кольору, деформації або появи тріщин.

Для забезпечення БЕЗПЕКИ та НАДІЙНОСТІ продукції, її ремонт, а також роботи з обслуговування або регулювання повинні виконуватись уповноваженими або заводськими сервісними центрами Makita із використанням запчастин виробництва компанії Makita.

Заміна нейлонового шнура

▲ПОПЕРЕДЖЕННЯ: Використовуйте тільки нейлоновий шнур із діаметром, указаним у цьому посібнику з експлуатації. Не використовуйте товщий шнур, металевий дріт, трос або інші подібні предмети. Недотримання цієї вимоги може призвести до пошкодження інструмента й тяжких травм.

▲ПОПЕРЕДЖЕННЯ: Під час заміни нейлонового шнура знімайте різальну головку з нейлоновим шнуром з інструмента.

▲ПОПЕРЕДЖЕННЯ: Переконайтеся в тому, що кришку різальної головки з нейлоновим шнуром надійно закріплено на корпусі, як описано в цьому посібнику. Якщо кришка закріплена неналежним чином, різальна головка з нейлоновим шнуром може розлетітися на частини й спричинити тяжкі травми.

Замініть нейлоновий шнур, якщо він більше не виходить. Спосіб заміни нейлонового шнура залежить від типу різальної головки з нейлоновим шнуром.

95-M10L

► Рис.40

Заміна пластикової різальної пластини

Замініть пластикову різальну пластину, якщо вона зношена або зламана.

► Рис.41

Під час установки пластикової різальної пластини вирівняйте напрямок стрілки на пластині з напрямком стрілки на захисному кожусі.

► **Рис.42:** 1. Стрілка на захисному кожусі
2. Стрілка на пластині

УСУНЕННЯ НЕСПРАВНОСТЕЙ

Перш ніж звертатися з приводу ремонту інструмента, проведіть його перевірку самостійно. У разі виявлення несправності, яку не описано в цьому посібнику, не намагайтеся розібрати інструмент. Натомість зверніться до авторизованих сервісних центрів Makita та використовуйте для ремонту тільки запасні частини виробництва компанії Makita.

Стан відхилення від норми	Можлива причина (несправність)	Спосіб виправлення
Двигун не працює.	Касета з акумулятором не встановлена.	Установіть касету з акумулятором.
	Проблема з акумулятором (знижена напруга)	Зарядіть акумулятор. Якщо заряджання не призвело до бажаного результату, замініть акумулятор.
	Система приводу працює неправильно.	Зверніться до місцевого авторизованого сервісного центру з приводу ремонту.
Двигун перестає працювати після короткочасного використання.	Низький рівень заряду акумулятора.	Зарядіть акумулятор. Якщо заряджання не призвело до бажаного результату, замініть акумулятор.
	Перегрів.	Припиніть використовувати інструмент та дозвольте йому охолонути.
Він не досягає максимальної швидкості обертання.	Акумулятор встановлений невірно.	Встановіть касету з акумулятором, як описано в цьому посібнику.
	Заряд акумулятора зменшується.	Зарядіть акумулятор. Якщо заряджання не призвело до бажаного результату, замініть акумулятор.
	Система приводу працює неправильно.	Зверніться до місцевого авторизованого сервісного центру з приводу ремонту.
Ріжучий інструмент не обертається: ⇒ негайно зупиніть інструмент!	Сторонній предмет (наприклад, гілка), застряг між захисним кожухом і різальним інструментом.	Приберіть сторонній предмет.
	Система приводу працює неправильно.	Зверніться до місцевого авторизованого сервісного центру з приводу ремонту.
Аномальна вібрація: ⇒ негайно зупиніть інструмент!	Один кінець нейлонового шнура став непридатним.	Злегка вдарте ріжучу головку з нейлоновим шнуром об землю, коли вона обертається, щоб випустити шнур.
	Система приводу працює неправильно.	Зверніться до місцевого авторизованого сервісного центру з приводу ремонту.
Ріжучий інструмент та двигун не зупиняються: ⇒ Негайно зніміть акумулятор!	Електрична або електронна несправність.	Зніміть акумулятор та зверніться до місцевого авторизованого сервісного центру з приводу ремонту.

ДОДАТКОВЕ ПРИЛАДДЯ

⚠ПОПЕРЕДЖЕННЯ: Використовуйте тільки рекомендовані принадлежності або приладдя, зазначені в цьому посібнику. Використання будь-яких інших принадлежностей або приладдя може призвести до тяжких травм.

⚠ОБЕРЕЖНО: Це додаткове та допоміжне обладнання рекомендовано використовувати з інструментом Makita, зазначеним у цій інструкції з експлуатації. Використання будь-якого іншого додаткового та допоміжного обладнання може становити небезпеку травмування. Використовуйте додаткове та допоміжне обладнання лише за призначенням.

- Лезо різачка
- Ріжуча головка з нейлоновим шнуром
- Нейлоновий шнур (ріжучий шнур)
- Пластикова різальна пластина
- Оригінальний акумулятор та зарядний пристрій Makita

ПРИМІТКА: Деякі елементи списку можуть входити до комплекту інструмента як стандартне приладдя. Вони можуть відрізнятися залежно від країни.

У разі необхідності отримати допомогу в більш детальному ознайомленні з оснащенням звертайтеся до місцевого сервісного центру Makita.

SPECIFICAȚII

Model:	DUR190U	DUR190L	DUR191U	DUR191L
Tipul mânerului	Mâner curbat	Mâner brățară	Mâner curbat	Mâner brățară
Turație în gol	3: 6.000 min ⁻¹ 2: 5.100 min ⁻¹ 1: 3.500 min ⁻¹			
Lungime totală (fără unealta de tăiere)	1.775 mm			
Diametrul firului de nylon	2,0 - 2,4 mm			
Unealtă de tăiere și diametru de tăiere aplicabile	Lamă cu 3 dinți (Cod piesă 191J34-5)	230 mm		
	Lamă cu 4 dinți (Cod piesă 729025-2)	230 mm		
	Cap de tăiere cu nylon (Cod piesă 126674-0)	300 mm		
	Lamă din plastic (Cod piesă 126642-3)	230 mm		
Tensiune nominală	18 V cc.			
Greutate netă	3,1 - 3,4 kg	2,9 - 3,2 kg	3,4 - 3,7 kg	3,2 - 3,5 kg

- Datorită programului nostru continuu de cercetare și dezvoltare, specificațiile pot fi modificate fără o notificare prealabilă.
- Specificațiile pot varia în funcție de țară.
- Greutatea poate diferi în funcție de accesoriu(ii), inclusiv cartușul acumulatorului. În tabel se prezintă combinația cea mai ușoară și cea mai grea, conform Procedurii EPTA 01/2014.

Cartușul acumulatorului și încărcătorul aplicabile

Cartușul acumulatorului	BL1815N / BL1820 / BL1820B / BL1830 / BL1830B / BL1840 / BL1840B / BL1850 / BL1850B / BL1860B
Încărcător	DC18RC / DC18RD / DC18RE / DC18SD / DC18SE / DC18SF / DC18SH

- Este posibil ca unele cartușe ale acumulatorilor și încărcătoare menționate mai sus să nu fie disponibile în funcție de regiunea dvs. de reședință.

⚠️ AVERTIZARE: Utilizați numai cartușele de acumulator și încărcătoarele enumerate mai sus. Utilizarea oricărui altor cartușe de acumulator și încărcătoare poate duce la rănire și/sau incendiu.

Adaptorul acumulatorului recomandat

Transformator cu baterii	PDC01
--------------------------	-------

- Este posibil ca adaptorul/adaptoarele acumulatorilor menționat/menționate mai sus să nu fie disponibil/disponibile în funcție de regiunea dvs. de reședință.
- Înainte de a utiliza adaptorul acumulatorului, citiți instrucțiunile și atenționările de pe acesta.

Model DUR190U

Unealtă de tăiere	Nivel de presiune acustică (L_{pA}) dB(A)		Nivel de putere acustică (L_{wA}) dB(A)		Standard aplicabil
	L_{pA} dB(A)	Marjă de eroare (K) dB(A)	L_{wA} dB(A)	Marjă de eroare (K) dB(A)	
Lamă cu 4 dinți	77,0	3,9	91,6	2,4	ISO22868 (ISO11806-1)
Cap de tăiere din nylon	74,0	1,9	87,1	0,9	ISO22868 (ISO11806-1)/ EN50636-2-91
Lamă din plastic	75,6	1,3	85,9	2,1	ISO22868 (ISO11806-1)/ EN50636-2-91

Model DUR190L

Unealtă de tăiere	Nivel de presiune acustică (L_{pA}) dB(A)		Nivel de putere acustică (L_{wA}) dB(A)		Standard aplicabil
	L_{pA} dB(A)	Marjă de eroare (K) dB(A)	L_{wA} dB(A)	Marjă de eroare (K) dB(A)	
Lamă cu 4 dinți	77,0	3,9	91,6	2,4	ISO22868 (ISO11806-1)
Cap de tăiere cu nylon	74,0	1,9	87,1	0,9	ISO22868 (ISO11806-1)/ EN50636-2-91
Lamă din plastic	75,6	1,3	85,9	2,1	ISO22868 (ISO11806-1)/ EN50636-2-91

Model DUR191U

Unealtă de tăiere	Nivel de presiune acustică (L_{pA}) dB(A)		Nivel de putere acustică (L_{wA}) dB(A)		Standard aplicabil
	L_{pA} dB(A)	Marjă de eroare (K) dB(A)	L_{wA} dB(A)	Marjă de eroare (K) dB(A)	
Lamă cu 4 dinți	77,0	3,9	91,6	2,4	ISO22868 (ISO11806-1)
Cap de tăiere cu nylon	74,0	1,9	87,1	0,9	ISO22868 (ISO11806-1)/ EN50636-2-91
Lamă din plastic	75,6	1,3	85,9	2,1	ISO22868 (ISO11806-1)/ EN50636-2-91

Model DUR191L

Unealtă de tăiere	Nivel de presiune acustică (L_{pA}) dB(A)		Nivel de putere acustică (L_{wA}) dB(A)		Standard aplicabil
	L_{pA} dB(A)	Marjă de eroare (K) dB(A)	L_{wA} dB(A)	Marjă de eroare (K) dB(A)	
Lamă cu 4 dinți	77,0	3,9	91,6	2,4	ISO22868 (ISO11806-1)
Cap de tăiere cu nylon	74,0	1,9	87,1	0,9	ISO22868 (ISO11806-1)/ EN50636-2-91
Lamă din plastic	75,6	1,3	85,9	2,1	ISO22868 (ISO11806-1)/ EN50636-2-91

- Chiar dacă nivelul de presiune acustică menționat mai sus este de 80 dB (A) sau mai puțin, nivelul în timpul funcționării poate depăși 80 dB (A). Purați echipament de protecție pentru urechi.

NOTĂ: Valoarea (valorile) totală(e) a (ale) emisiilor de zgomot declarate a(u) fost măsurată(e) în conformitate cu o metodă de test standard și poate (pot) fi utilizată(e) pentru compararea unei uneelte cu alta.

NOTĂ: Valoarea (valorile) totală(e) a (ale) emisiilor de zgomot declarate poate (pot) fi, de asemenea, utilizată(e) într-o evaluare preliminară a expunerii.

⚠️ AVERTIZARE: Purtați echipament de protecție pentru urechi.

⚠️ AVERTIZARE: Emisiile de zgomot în timpul utilizării efective a unelei electrice poate diferi de valoarea (valorile) nivelului declarat, în funcție de modul în care unealta este utilizată, în special ce fel de piesă este prelucrată.

⚠️ AVERTIZARE: Asigurați-vă că identificați măsurile de siguranță pentru a proteja operatorul, acestea fiind bazate pe o estimare a expunerii în condiții reale de utilizare (luând în considerare toate părțile ciclului de operare, precum timpii în care unealta a fost oprită, sau a funcționat în gol, pe lângă timpul de declanșare).

Vibrații

Model DUR190U

Unealtă de tăiere	Mâna stângă		Mâna dreaptă		Standard aplicabil
	$a_{h,w}$ (m/s ²)	Marjă de eroare K (m/s ²)	$a_{h,w}$ (m/s ²)	Marjă de eroare K (m/s ²)	
Lamă cu 4 dinți	≤ 2,5	1,5	≤ 2,5	1,5	ISO22867 (ISO11806-1)
Cap de tăiere din nylon	≤ 2,5	1,5	≤ 2,5	1,5	ISO22867 (ISO11806-1)
Lamă din plastic	≤ 2,5	1,5	≤ 2,5	1,5	ISO22867 (ISO11806-1)

Model DUR190L

Unealtă de tăiere	Mâna stângă		Mâna dreaptă		Standard aplicabil
	$a_{h,w}$ (m/s ²)	Marjă de eroare K (m/s ²)	$a_{h,w}$ (m/s ²)	Marjă de eroare K (m/s ²)	
Lamă cu 4 dinți	≤ 2,5	1,5	≤ 2,5	1,5	ISO22867 (ISO11806-1)
Cap de tăiere din nylon	≤ 2,5	1,5	≤ 2,5	1,5	ISO22867 (ISO11806-1)
Lamă din plastic	≤ 2,5	1,5	≤ 2,5	1,5	ISO22867 (ISO11806-1)

Model DUR191U

Unealtă de tăiere	Mâna stângă		Mâna dreaptă		Standard aplicabil
	$a_{h,w}$ (m/s ²)	Marjă de eroare K (m/s ²)	$a_{h,w}$ (m/s ²)	Marjă de eroare K (m/s ²)	
Lamă cu 4 dinți	≤ 2,5	1,5	≤ 2,5	1,5	ISO22867 (ISO11806-1)
Cap de tăiere din nylon	≤ 2,5	1,5	≤ 2,5	1,5	ISO22867 (ISO11806-1)
Lamă din plastic	≤ 2,5	1,5	≤ 2,5	1,5	ISO22867 (ISO11806-1)

Model DUR191L

Unealtă de tăiere	Mâna stângă		Mâna dreaptă		Standard aplicabil
	$a_{h,w}$ (m/s ²)	Marjă de eroare K (m/s ²)	$a_{h,w}$ (m/s ²)	Marjă de eroare K (m/s ²)	
Lamă cu 4 dinți	≤ 2,5	1,5	≤ 2,5	1,5	ISO22867 (ISO11806-1)
Cap de tăiere din nylon	≤ 2,5	1,5	≤ 2,5	1,5	ISO22867 (ISO11806-1)
Lamă din plastic	≤ 2,5	1,5	≤ 2,5	1,5	ISO22867 (ISO11806-1)

NOTĂ: Valoarea (valorile) totală(e) a (ale) nivelului de vibrații declarat a (au) fost măsurată(e) în conformitate cu o metodă de test standard și poate (pot) fi utilizată(e) pentru compararea unei unelte cu alta.











NOTĂ: Valoarea (valorile) totală(e) a (ale) nivelului de vibrații declarat poate (pot) fi, de asemenea, utilizată(e) într-o evaluare preliminară a expunerii.

⚠️ AVERTIZARE: Nivelul de vibrații în timpul utilizării efective a unelei electrice poate diferi de valoarea (valorile) nivelului declarat, în funcție de modul în care uneltea este utilizată, în special ce fel de piesă este prelucrată.

⚠️ AVERTIZARE: Asigurați-vă că identificați măsurile de siguranță pentru a proteja operatorul, acestea fiind bazate pe o estimare a expunerii în condiții reale de utilizare (luând în considerare toate părțile ciclului de operare, precum timpii în care uneltea a fost oprită, sau a funcționat în gol, pe lângă timpul de declanșare).

Simboluri

Mai jos sunt prezentate simbolurile de pe echipament. Asigurați-vă că înțelegeți sensul acestora înainte de utilizare.

	Acordați atenție și grijă deosebită.
	Citiți manualul de utilizare.
	Păstrați o distanță de cel puțin 15 m.
	Pericol; țineți cont de obiectele care pot fi aruncate.
	Atenție; recul
	Purtați cască de protecție, ochelari și protecție pentru urechi.
	Purtați mănuși de protecție.
	Purtați cizme robuste cu talpă antide-rapantă. Sunt recomandate cizmele de siguranță cu bombeuri din oțel.
	Nu expuneți la umezeală.
	Doar pentru țările din cadrul UE Nu aruncați aparatele electrice sau acumulatorii în gunoii menajeri! În conformitate cu Directiva europeană privind deșeurile de echipamente electrice și electronice, bateriile și acumulatorii, precum și bateriile și acumulatorii reziduale și implementarea acestora conform legislației naționale, echipamentele electrice și bateriile și acumulatorii care au ajuns la sfârșitul duratei de viață trebuie colectate separat și reciclate corespunzător în vederea protejării mediului.

Declarație de conformitate CE

Numai pentru țările europene

Declarația de conformitate CE este inclusă ca Anexa A în acest manual de instrucțiuni.

AVERTIZĂRI DE SIGURANȚĂ

Avertismente generale de siguranță pentru mașinile electrice

⚠️ AVERTIZARE: Citiți toate avertismentele privind siguranța, instrucțiunile, ilustrațiile și specificațiile furnizate cu această sculă electrică. Nerespectarea integrală a instrucțiunilor de mai jos poate cauza electrocutări, incendii și/sau vătămări corporale grave.

Păstrați toate avertismentele și instrucțiunile pentru consultări ulterioare.

Termenul „mașină electrică” din avertizări se referă la mașinile dumneavoastră electrice acționate de la rețea (prin cablu) sau cu acumulator (fără cablu).

Instrucțiuni importante privind siguranța pentru mașină

⚠️ AVERTIZARE: Citiți toate avertizările de siguranță și toate instrucțiunile. Nerespectarea acestor avertizări și instrucțiuni poate avea ca rezultat electrocutarea, incendii și/sau rănirea gravă.

Păstrați toate avertizările și instrucțiunile pentru consultări ulterioare.

Utilizarea preconizată

1. Această mașină este destinată numai tăierii ierbii, buruienilor, tufișurilor și arbuștilor. Nu trebuie utilizată în alte scopuri, cum ar fi bordurarea sau tăierea gardurilor vii, deoarece pot apărea accidente.

Instrucțiuni generale

1. Nu permiteți niciodată persoanelor care nu sunt familiarizate cu aceste instrucțiuni, persoanelor (inclusiv copiilor) cu capacități fizice, senzoriale sau mentale reduse sau cu lipsă de experiență și cunoștințe să utilizeze mașina. Copiii trebuie supravegheați, pentru a vă asigura că aceștia nu au acces la mașină.

- Înainte de a porni mașina, citiți acest manual de instrucțiuni pentru a vă familiariza cu utilizarea mașinii.
- Nu împrumutați mașina unei persoane cu experiență sau cunoștințe insuficiente cu privire la manevrarea motocositoarelor și a motoacoaselor cu fir.
- Când împrumutați mașina, împrumutați-o întotdeauna împreună cu acest manual de instrucțiuni.
- Folosiți mașina cu cea mai mare grijă și atenție.
- Este interzis să utilizați mașina dacă ați consumat alcool sau droguri ori dacă sunteți obosit sau bolnav.
- Nu încercați niciodată să modificați mașina.
- Respectați reglementările privind manevrarea motocositoarelor și a motoacoaselor cu fir din țara dumneavoastră.

Echipament individual de protecție

► Fig.1

- Purtați cască, ochelari și mănuși de protecție pentru a vă proteja împotriva resturilor proiectate sau obiectelor căzătoare.
- Purtați protecție pentru urechi, precum anti-foane, pentru a preveni pierderea auzului.
- Purtați îmbrăcăminte și încălțăminte corespunzătoare pentru operare în siguranță, precum o salopetă de lucru și încălțăminte rezistentă, cu talpă antiderapantă. Nu purtați îmbrăcăminte prea largă sau bijuterii. Hainele largi, bijuteriile sau părul lung s-ar putea prinde în piesele aflate în mișcare.
- Atunci când atingeți lama de tăiere, purtați mănuși de protecție. Lamele pot cauza tăieturi grave dacă le maneveți cu mâinile goale.

Siguranța zonei de lucru

- Utilizați mașina doar în condiții bune de vizibilitate și pe timp de zi. Nu utilizați mașina pe întuneric sau în condiții de ceață.
- Nu utilizați mașina în medii explozive, cum ar fi în prezența lichidelor, gazelor sau a pulberilor inflamabile. Mașina provoacă scântei care pot aprinde praful sau vaporii.
- În timpul operării, nu stați pe o suprafață instabilă sau alunecoasă sau pe o pantă abruptă. În timpul sezonului rece, feriiți-vă de gheață și zăpadă și asigurați-vă că aveți întotdeauna o poziție stabilă.
- În timpul operării, țineți mașina la o distanță de cel puțin 15 m de persoanele din jur sau de animale. Oprii mașina atunci când o persoană se apropie de dumneavoastră.
- Nu folosiți niciodată mașina când în apropiere se află persoane, în special copii sau animale de companie.
- Înainte de a folosi, verificați dacă în zona de lucru există pietre sau alte obiecte dure. Acestea pot fi aruncate sau cauza un recul periculos al mașinii și pot conduce la accidente grave și/sau la avariarea bunurilor.

- ⚠️ AVERTIZARE:** Utilizarea acestui produs poate crea praf ce conține substanțe chimice care pot cauza boli respiratorii sau de altă natură. Câteva exemple de substanțe chimice sunt compușii ce se găsesc în pesticide, insecticide, îngrășăminte și erbicide. Riscurile la care sunteți expus în acest caz variază, în funcție de frecvența cu care executați acest tip de lucrare. Pentru a reduce expunerea la aceste chimicale: lucrați într-un spațiu bine ventilat și cu un echipament de protecție omologat, cum ar fi acele măști de protecție a respirației care sunt special concepute pentru a filtra particulele microscopice.

Siguranța electrică și a acumulatorului

- Nu expuneți mașina la ploaie sau la condiții de umiditate. Dacă intră apă în mașină, riscul electrocutării este mai mare.
- Nu folosiți mașina dacă întrerupătorul nu funcționează. Orice mașină care nu poate fi controlată din întrerupător este periculoasă și trebuie să fie reparată.
- Preveniți punerea accidentală în funcțiune. Asigurați-vă că întrerupătorul se află în poziția oprit înainte de a introduce acumulatorul, de a ridica sau de a transporta mașina. Transportarea mașinii ținând degetul pe întrerupător sau punerea acesteia sub tensiune cu întrerupătorul pornit duce foarte ușor la accidentări.
- Nu aruncați acumulatorul(ii) în foc. Elementul poate exploda. Consultați codurile locale pentru posibile instrucțiuni speciale privind eliminarea.
- Nu deschideți și nu dezmembrați acumulatorul(ii). Electrolitul eliberat este coroziv și poate cauza afecțiuni ale pielii și ochilor. Acesta poate fi toxic dacă este înghițit.
- Nu încărcați bateria în ploaie sau în zone cu umezeală.

Punerea în funcțiune

- Înainte de asamblarea sau de reglarea mașinii, scoateți cartușul acumulatorului.
- Înainte de a manevra lama de tăiere, puneți-vă mănușile de protecție.
- Înainte de a introduce cartușul acumulatorului, verificați dacă mașina prezintă deteriorări, șuruburi/piulițe slăbite sau piese asamblate necorespunzător. Ascultați lamele de tăiere tocite. Dacă lama de tăiere este îndoită sau deteriorată, înlocuiți-o. Verificați dacă toate pârghiile de control și comutatoarele funcționează ușor. Curățați și uscați mânerele.
- Nu încercați niciodată să porniți mașina dacă este deteriorată sau nu este asamblată complet. În caz contrar, există pericolul de vătămare gravă.
- Reglați centura de umăr și dispozitivul de prindere, astfel încât să corespundă dimensiunii corpului operatorului.
- La introducerea unui cartuș de acumulator, țineți accesoriul de tăiere departe de corpul dumneavoastră și de alte obiecte, inclusiv de sol. Acesta se poate roti la pornire și poate provoca accidente sau avariarea mașinii și/sau a bunurilor.

7. **Îndepărtați orice cheie de reglare, cheie fixă sau capac pentru lame înainte de a porni mașina.** Un accesoriu prins de o piesă în mișcare a mașinii poate cauza vătămări corporale.
8. **Unealta de tăiere trebuie să fie echipată cu apărătoarea.** Nu utilizați niciodată mașina cu apărătoare defecte sau fără apărătoare!
9. **Asigurați-vă că nu există cabluri electrice, conducte de apă, conducte de gaz etc., care ar putea provoca un pericol în caz de defectare prin folosirea utilajului.**
15. **În timpul utilizării, verificați în mod regulat dacă accesoriul de tăiere nu este fisurat sau avariata.** Înainte de a-l inspecta, scoateți cartușul acumulatorului și așteptați până când accesoriul de tăiere se oprește complet. Înlocuiți imediat accesoriul de tăiere, chiar dacă are doar fisuri superficiale.
16. **Nu tăiați niciodată deasupra nivelului taliei.**
17. **Înainte de a începe operația de tăiere, așteptați ca accesoriul să ajungă la o viteză constantă, după ce ați pornit mașina.**

Operarea

1. **În caz de urgență, opriți mașina imediat.**
2. **Dacă simțiți că ceva este în neregulă (de ex., zgomote, vibrații) pe durata operării, opriți mașina și scoateți cartușul acumulatorului.** Nu utilizați mașina până când nu veți fi identificat și remediat cauza.
3. **Accesoriul de tăiere continuă să se rotească pentru o scurtă perioadă de timp după oprirea mașinii.** Nu vă grăbiți să puneți mâna pe accesoriul de tăiere.
4. **În timpul operării, utilizați centura de umăr. Țineți ferm mașina în dreapta dumneavoastră.**
5. **Nu vă întindeți excesiv. Mențineți-vă permanent echilibrul și sprijiniți-vă ferm pe picioare.** Fiți atenți la obstacolele ascunse, precum cioturi de copaci, rădăcini și șanțuri, pentru a nu vă împiedica.
6. **Asigurați-vă întotdeauna echilibrul atunci când vă deplasați pe suprafețe înclinate.**
7. **Nu alergați niciodată.**
8. **Nu lucrați niciodată pe o scară sau în copac, pentru a evita pierderea controlului.**
9. **Dacă mașina suferă un impact puternic sau cade, verificați starea acesteia înainte de a continua lucrul.** Verificați dacă există defecțiuni ale comenzilor și ale dispozitivelor de siguranță. Dacă există avarii, sau starea produsului este incertă, contactați centrul nostru de service autorizat pentru inspecție și reparații.
10. **Odihniți-vă pentru a preveni pierderea controlului din cauza oboselii.** Vă recomandăm să luați o pauză de 10-20 de minute la fiecare oră.
11. **Când lăsați mașina nesupravegheată, chiar și pentru o perioadă scurtă, scoateți întotdeauna cartușul acumulatorului.** Mașina lăsată nesupravegheată, cu cartușul acumulatorului instalat, poate fi utilizată de persoane neautorizate și cauza accidente grave.
12. **Dacă între accesoriul de tăiere și apărătoare se prind buruieni sau crengi, opriți întotdeauna mașina și scoateți cartușul acumulatorului înainte de a o curăța.** În caz contrar, accesoriul de tăiere se poate roti în mod neașteptat și poate provoca accidente grave.
13. **Nu atingeți niciodată piesele în mișcare periculoase înainte ca acestea să se fi oprit complet și ca acumulatorul să fi fost îndeprătat.**
14. **Dacă accesoriul de tăiere se lovește de pietre sau de alte obiecte dure, opriți imediat mașina.** Apoi, scoateți cartușul acumulatorului și inspectați accesoriul de tăiere.
18. **Atunci când folosiți o lamă de tăiere, balansați mașina uniform, în semicercuri de la dreapta la stânga, ca și cum ați utiliza o coasă clasică.**
19. **Țineți mașina doar de suprafețele de prindere izolate, deoarece lama de tăiere poate intra în contact cu fire ascunse.** Lamele de tăiere care intră în contact cu un fir sub tensiune ar putea pune sub tensiune și componentele metalice expuse ale mașinii, existând pericolul ca operatorul să se electrocuțeze.
20. **Nu porniți mașina dacă unealta de tăiere s-a încurcat în iarba tunsă.**
21. **Înainte de a porni mașina, asigurați-vă că unealta de tăiere nu atinge pământul și alte obstacole, cum ar fi copacii.**
22. **În timpul operării, țineți întotdeauna mașina cu ambele mâini.** Nu țineți mașina cu o singură mână în timpul utilizării.
23. **Nu utilizați mașina în condiții de vreme nefavorabilă sau dacă există riscul de descărcări electrice.**

Unelte de tăiere

1. **Nu folosiți unelte de tăiere nerecomandate de noi.**
2. **Folosiți un accesoriu de tăiere potrivit pentru munca pe care o aveți de făcut.**
 - Capetele de tăiere cu nylon (capetele de motocoasă cu fir) și lamele din plastic sunt potrivite pentru tunderea gazonului.
 - Lamele de tăiere sunt potrivite pentru tăierea buruienilor, ierburilor înalte, tufșurilor, arbuștilor, subarboretului, hățșului și altor ierburi asemănătoare.
 - Nu folosiți niciodată alte tipuri de lame, inclusiv lanțuri pivotante formate din mai multe bucăți și lame de tocătoare. În caz contrar, pot avea loc accidente grave.
3. **Utilizați doar unelte de tăiere care sunt marcate cu o turație egală cu sau mai mare decât turația marcată pe unealtă.**
4. **Țineți întotdeauna mâinile, fața și hainele departe de unealta de tăiere, atunci când aceasta se rotește.** În caz contrar, există pericol de vătămare corporală.
5. **Utilizați întotdeauna apărătoarea potrivită pentru accesoriul de tăiere folosit.**
6. **Atunci când utilizați lame de tăiere, evitați „reculul” și pregătiți-vă întotdeauna pentru un recul accidental.** Consultați secțiunea privind reculul.
7. **Când nu o utilizați, puneți capacul pentru lame pe lamă. Îndepărtați capacul înainte de a o folosi.**

Recul (propulsarea lamei)

1. Reculul (propulsarea lamei) este o reacție bruscă la o lamă de tăiere care s-a prins sau s-a încurcat în ceva. Mașina este aruncată cu putere în lateral sau înspre operator, ceea ce poate conduce la accidente grave.
2. Reculul apare în special atunci când se aplică segmentul de lamă corespunzător unghiurilor formate de ora 12 cu ora 2 pe cadranul unui ceas la materiale dure, tufișuri și arbori cu diametru de 3 cm sau mai mare.

► Fig.2

3. Pentru a evita reculul:
 1. Aplicați segmentul corespunzător unghiului format de ora 8 cu ora 11 pe cadranul unui ceas.
 2. Nu aplicați niciodată segmentul corespunzător unghiului format de ora 12 cu ora 2 pe cadranul unui ceas.
 3. Nu aplicați niciodată segmentul corespunzător unghiurilor formate de ora 11 cu ora 12 și de ora 2 cu ora 5 pe cadranul unui ceas, decât dacă operatorul este bine instruit și experimentat și face acest lucru pe propriul risc.
 4. Nu utilizați niciodată lamele de tăiere în apropierea materialelor dure precum gardurile, pereții, trunchiurile de copaci și pietrele.
 5. Nu utilizați niciodată lamele de tăiere verticale pentru operații ca cele de bordurare sau tundere a gardurilor vii.

► Fig.3

Vibrații

1. Persoanele care au probleme cu circulația sângelui și care sunt expuse la vibrații excesive pot suferi leziuni ale vaselor de sânge sau ale sistemului nervos. Vibrațiile pot produce apariția următoarelor simptome în degete, mâini sau încheieturi: „Amorțeală” (insensibilitate), furnicături, durere, înțepături, modificarea culorii sau a texturii pielii. Dacă apare oricare dintre aceste simptome, consultați un medic!
2. Pentru a reduce riscul apariției „sindromului degetelor albe”, păstrați-vă mâinile calde în timpul utilizării și întrețineți în mod corect mașina și accesoriile.

Transport

1. Înainte de a transporta mașina, opriți-o și scoateți cartușul acumulatorului. Puneți capacul pentru lame pe lama de tăiere.
2. Când transportați mașina, transportați-o în poziție orizontală, ținând-o de ax.
3. Când transportați mașina într-un vehicul, fixați-o corespunzător, pentru a evita răsturnarea. În caz contrar, mașina și orice alte bagaje se pot deteriora.

Întreținere

1. Service-ul mașinii trebuie efectuat la centrul nostru de service autorizat, utilizând întotdeauna numai piese de schimb originale. Reparațiile incorecte și întreținerea inadecvată pot scurta durata de viață a mașinii și mări riscul accidentărilor.
2. Înainte de realizarea oricăror lucrări de întreținere sau de reparații ori înainte de curățarea mașinii, opriți întotdeauna mașina și scoateți cartușul acumulatorului.
3. Purtați întotdeauna mănuși de protecție atunci când manevrați lama de tăiere.
4. Curățați întotdeauna praful și murdăria de pe mașină. Nu utilizați niciodată gazolină, benzină, diluant, alcool sau alte substanțe asemănătoare în acest scop. În caz contrar, pot rezulta decolorări, deformări sau fisuri ale componentelor din plastic.
5. După fiecare utilizare, strângeți toate șuruburile și piulițele.
6. Nu încercați să efectuați nicio operațiune de întreținere sau reparație care nu este descrisă în manualul de instrucțiuni. Contactați centrul de service autorizat pentru astfel de lucrări.
7. Utilizați întotdeauna numai piese de schimb și accesorii originale. Utilizarea de piese sau de accesorii de la terți ar putea conduce la avarierea mașinii, a bunurilor și/sau la accidente grave.
8. Solicitați centrului de service autorizat să inspecteze și să întrețină mașina la intervale regulate.
9. Păstrați întotdeauna mașina în stare bună de funcționare. Întreținerea necorespunzătoare poate conduce la scăderea performanțelor și la scurtarea duratei de viață a mașinii.

Depozitare

1. Înainte de depozitarea mașinii, efectuați o curățare și întreținere complete. Scoateți cartușul acumulatorului. Puneți capacul pentru lame pe lama de tăiere.
2. Depozitați mașina într-un loc uscat și la înălțime sau încluiat, astfel încât copiii să nu aibă acces.
3. Nu sprijiniți mașina de nimic, cum ar fi de un perete. În caz contrar, utilajul poate cădea, cauzând accidente.

Primul ajutor

1. Țineți întotdeauna o trusă de prim ajutor la îndemână. Înlocuiți imediat orice element folosit din trusa de prim ajutor.
2. Când solicitați ajutor, oferiți următoarele informații:
 - Locul accidentului
 - Ce s-a întâmplat
 - Numărul de persoane rănite
 - Natura accidentului
 - Numele dumneavoastră

Instrucțiuni importante privind siguranța pentru cartușul acumulatorului

- Înainte de a folosi cartușul acumulatorului, citiți toate instrucțiunile și atenționările de pe (1) încărcătorul acumulatorului, (2) acumulator și (3) produsul care folosește acumulatorul.
- Nu dezmembrați cartușul acumulatorului.
- Dacă timpul de funcționare s-a redus excesiv, întrerupeți imediat funcționarea. Aceasta poate prezenta risc de supraîncălzire, posibile arsuri și chiar explozie.
- Dacă electrolitul pătrunde în ochi, clătiți bine ochii cu apă curată și consultați imediat un medic. Există risc de orbire.
- Nu scurtcircuitați cartușul acumulatorului:
 - Nu atingeți bornele cu niciun material conductor.
 - Evitați depozitarea cartușului acumulatorului la un loc cu alte obiecte metalice cum ar fi cuie, monede etc.
 - Nu expuneți cartușul acumulatorului la apă sau ploaie.
- Nu depozitați mașina și cartușul acumulatorului în spații în care temperatura poate atinge sau depăși 50 °C (122 °F).
- Nu incinerati cartușul acumulatorului chiar dacă acesta este grav deteriorat sau complet uzat. Cartușul acumulatorului poate exploda în foc.
- Aveți grijă să nu scăpați sau să loviți acumulatorul.
- Nu utilizați un acumulator deteriorat.
- Acumulatorii Li-Ion încorporați se supun cerințelor Legislației privind substanțele periculoase.

Pentru transporturi comerciale, efectuate de exemplu de către părți terțe, expeditori, trebuie respectate cerințele speciale de ambalare și etichetare.

Pentru pregătirea articolului care urmează să fie expediat, este necesară consultarea unui expert în materiale periculoase. Vă rugăm să respectați, de asemenea, reglementările naționale, care pot fi mai detaliate.

- Izolați sau acoperiți contactele deschise și împachetați acumulatorul în așa fel încât să nu se poată mișca în ambalaj.
- Atunci când eliminați la deșeurile cartușul acumulatorului, scoateți-l din mașină și eliminați-l într-un loc sigur. Respectați normele naționale privind eliminarea la deșeurile a acumulatorului.
- Utilizați acumulatoroarele numai cu produsele specificate de Makita. Instalarea acumulatoroarelor în produse neconforme poate cauza incendii, căldură excesivă, explozii sau scurgeri de electrolit.
- Dacă mașina nu este utilizată o perioadă lungă de timp, acumulatorul trebuie scos din acesta.

PĂSTRAȚI ACESTE INSTRUCȚIUNI.

ATENȚIE: Folosiți numai acumulatori Makita originali. Acumulatorii Makita care nu sunt originali și acumulatorii care au suferit modificări se pot aprinde, provocând incendii, leziuni corporale și daune. De asemenea, anulează garanția oferită de Makita pentru unealta și încărcătorul Makita.

Sfaturi pentru obținerea unei durate maxime de exploatare a acumulatorului

- Încărcați cartușul acumulatorului înainte de a se descărca complet. Întrerupeți întotdeauna funcționarea mașinii și încărcați cartușul acumulatorului când observați o scădere a puterii mașinii.
- Nu reîncărcați niciodată un acumulator complet încărcat. Supraîncărcarea va scurta durata de exploatare a acumulatorului.
- Încărcați cartușul acumulatorului la temperatura camerei, între 10 °C - 40 °C (50 °F - 104 °F). Lăsați un acumulator fierbinte să se răcească înainte de a-l încărca.
- Încărcați cartușul acumulatorului în cazul în care nu a fost utilizat pe o perioadă mai lungă (mai mult de șase luni).

DESCRIERE COMPONENTE

► Fig.4

1	Indicator de viteză	2	Indicator ADT (ADT = tehnologie de antrenare a cuplului automat)	3	Lampă de avertizare	4	Buton de alimentare principal
5	Buton de inversare	6	Cartușul acumulatorului	7	Pârghie de blocare	8	Buton declanșator
9	Agățătoare	10	Mâner	11	Piedică (specifică fiecărei țări)	12	Apărătoare
13	Pârghie de blocare (doar DUR191U și DUR191L)	14	Capac îmbinare (doar DUR191U și DUR191L)	15	Capac (doar DUR191U și DUR191L)	16	Centură de umăr

DESCRIEREA FUNCȚIILOR

⚠️ AVERTIZARE: Asigurați-vă întotdeauna că mașina este oprită și cartușul acumulatorului este scos înainte de a ajusta sau verifica funcționarea mașinii. Dacă unealta nu este oprită și cartușul acumulatorului nu este scos, se pot produce vătămări personale grave în urma pornirii accidentale.

Instalarea sau scoaterea cartușului acumulatorului

⚠️ ATENȚIE: Opriți întotdeauna mașina înainte de montarea sau demontarea cartușului de acumulator.

⚠️ ATENȚIE: Țineți ferm mașina și cartușul acumulatorului la montarea sau demontarea cartușului. În cazul în care nu țineți ferm mașina și cartușul de acumulator, acestea vă pot aluneca din mâini, rezultând defectarea mașinii și cartușului de acumulator, precum și în accidentări personale.

► Fig.5: 1. Indicator roșu 2. Buton 3. Cartușul acumulatorului

Pentru a scoate cartușul acumulatorului, glisați-l din mașină în timp ce glisați butonul de pe partea frontală a cartușului.

Pentru a instala cartușul acumulatorului, aliniați limba de pe cartușul acumulatorului cu canelura din carcasă și introduceți-l în locaș. Introduceți-l complet, până când se înclochetează în locaș. Dacă puteți vedea indicatorul roșu din partea superioară a butonului, acesta nu este blocat complet.

⚠️ ATENȚIE: Instalați întotdeauna cartușul acumulatorului complet, până când indicatorul roșu nu mai este vizibil. În caz contrar, acesta poate cădea accidental din mașină provocând rănirea dumneavoastră sau a persoanelor din jur.

⚠️ ATENȚIE: Nu forțați cartușul acumulatorului la montare. Dacă acesta nu glisează ușor, înseamnă că a fost introdus incorect.

Sistem de protecție mașină/acumulator

Mașina este prevăzută cu un sistem de protecție mașină/acumulator. Acest sistem întrerupe automat alimentarea motorului pentru a extinde durata de funcționare a mașinii și acumulatorului. Mașina se va opri automat în timpul funcționării, dacă se află într-una din situațiile următoare:

Lampă de avertizare			Stare
Culoare	● Pornit	⦿ Iluminare intermitentă	
Roșu	●	⦿	Suprasarcină
Roșu	●	●	Supraîncălzire
Roșu	●	⦿	Descărcare completă

Protecție la suprasarcină

Dacă mașina se află într-una dintre situațiile de mai jos, aceasta se oprește automat, iar lampa de avertizare luminează roșu intermitent:

- Mașina este suprasolicitată de buruieni sau alte reziduuri prinse.
- Unealta de tăiere s-a înțepenit sau s-a retras.
- Butonul de alimentare este pornit în timp ce se apasă pe butonul declanșator.

În acest caz, eliberați butonul declanșator și îndepărtați buruienile sau alte reziduuri prinse, dacă este necesar. Apoi, trageți din nou butonul declanșator pentru a relua activitatea.

⚠️ ATENȚIE: Dacă trebuie să îndepărtați buruienile din mașină sau să deblocați unealta de tăiere, nu uitați să opriți mașina înainte de a începe.

Protecție împotriva supraîncălzirii pentru mașină sau acumulator

Dacă mașina sau cartușul acumulatorului se supraîncălzește, mașina se oprește automat. Atunci când mașina sau cartușul acumulatorului se supraîncălzește, indicatorul de viteză și indicatorul ADT se sting, iar lampa de avertizare emite o lumină roșie. Lăsați mașina și/sau acumulatorul să se răcească înainte de repornirea mașinii.

Protecție la supradescărcare

Când capacitatea acumulatorului scade, mașina se oprește automat. Indicatorul de viteză și indicatorul ADT se sting, iar lampa de avertizare începe să emită intermitent o lumină roșie. Dacă mașina nu funcționează deși întrerupătoarele sunt acționate, scoateți cartușul acumulatorului din mașină și încărcați-l.

Indicarea capacității rămase a acumulatorului

Numai pentru cartușe de acumulator cu indicator

► Fig.6: 1. Lămpi indicatoare 2. Buton de verificare

Apăsăți butonul de verificare de pe cartușul acumulatorului, astfel încât să se indice capacitățile rămase ale acumulatorului. Lămpile indicatorului vor lumina timp de câteva secunde.

Lămpi indicatoare			Capacitate rămasă
Iluminat	Oprit	Iluminare intermitentă	
■ ■ ■ ■	□ □ □ □	⦿	între 75% și 100%
■ ■ ■ □	□ □ □ □	⦿	între 50% și 75%
■ ■ □ □	□ □ □ □	⦿	între 25% și 50%
■ □ □ □	□ □ □ □	⦿	între 0% și 25%
⦿ □ □ □	□ □ □ □	□ □ □ □	Încărcați acumulatorul.
■ ■ □ □	□ □ □ □	□ □ □ □	Este posibil ca acumulatorul să fie defect.
□ □ □ □	■ ■ ■ ■	□ □ □ □	

NOTĂ: În funcție de condițiile de utilizare și temperatura ambientală, indicația poate fi ușor diferită de capacitatea reală.

Înterupător de alimentare principal

Apăsați pe butonul de alimentare pentru a porni mașina. Pentru a opri mașina, țineți apăsat pe butonul de alimentare până când se stinge indicatorul de viteză.

► **Fig.7:** 1. Indicator de viteză 2. Buton de alimentare principal

NOTĂ: Mașina se va opri automat dacă nu este utilizată pentru o anumită perioadă de timp.

Acționarea înterupătorului

⚠️AVERTIZARE: Înainte de a introduce cartușul acumulatorului în mașină, verificați întotdeauna dacă butonul declanșator funcționează corect și revine în poziția „OFF” (oprit) când este eliberat. Operarea mașinii cu un înterupător care nu acționează corect poate duce la pierderea controlului și la accidentări grave.

⚠️ATENȚIE: Nu puneți niciodată degetul pe înterupător în timpul transportului. Mașina poate porni accidental și poate provoca vătămări corporale.

Pentru a preveni acționarea accidentală a butonului declanșator, este prevăzută o pârghie de deblocare. Pentru a porni mașina, prindeți mânerul (pârghia de deblocare este eliberată atunci când prindeți mânerul) și apoi trageți butonul declanșator. Pentru a opri mașina, eliberați butonul declanșator.

DUR190U și DUR191U

► **Fig.8:** 1. Pârghie de blocare 2. Buton declanșator

DUR190L și DUR191L

► **Fig.9:** 1. Pârghie de blocare 2. Buton declanșator

NOTĂ: Mașina se oprește automat dacă nu este utilizată un anumit timp.

Reglarea vitezei

Puteți selecta viteza mașinii apăsând pe butonul de alimentare principal. De fiecare dată când apăsați pe butonul de alimentare principal, nivelul vitezei se va modifica.

► **Fig.10:** 1. Indicator de viteză 2. Buton de alimentare principal 3. Indicator ADT

Indicator de viteză	Mod	Viteza de rotație
	ADT	3.500 - 6.000 min ⁻¹
	Mare	6.000 min ⁻¹
	Mediu	5.100 min ⁻¹
	Turație joasă	3.500 min ⁻¹

NOTĂ: La activarea tehnologiei de antrenare a cuplului automat (ADT), indicatorul ADT se aprinde, iar mașina funcționează la o viteză de rotație și un cuplu optime pentru starea ierbiilor care trebuie tăiate.

Buton de inversare pentru înlăturarea resturilor

⚠️AVERTIZARE: Oprți mașina și înlăturați cartușul acumulatorului înainte de a înlătura iarba sau resturile rămase, care nu pot fi înlăturate cu funcția de rotație inversă. Dacă unealta nu este oprită și cartușul acumulatorului nu este scos, se pot produce vătămări personale grave în urma pornirii accidentale.

Această mașină este prevăzută cu un buton de inversare pentru a schimba direcția de rotație. Este utilizat doar pentru înlăturarea ierbiilor și a resturilor rămase în mașină. Pentru a inversa rotația, după ce s-a oprit unealta de tăiere, apăsați pe butonul de inversare și trageți butonul declanșator, apăsând în același timp pârghia de blocare. Indicatorul de viteză și indicatorul ADT încep să lumineze intermitent, iar unealta de tăiere se rotește în sens invers când trageți butonul declanșator. Pentru a reveni la rotația normală, eliberați butonul declanșator și așteptați până când unealta de tăiere se oprește.

► **Fig.11:** 1. Indicator de viteză 2. Indicator ADT 3. Buton de inversare

NOTĂ: În timpul rotației inverse, mașina va opera doar pentru o scurtă perioadă de timp și apoi se va opri automat.

NOTĂ: După oprirea mașinii, rotația revine la direcția obișnuită atunci când o porniți din nou.

NOTĂ: Dacă apăsați pe butonul de inversare în timp ce unealta de tăiere încă se rotește, mașina se oprește și este pregătită pentru rotația inversă.

Frână electrică

Această mașină este echipată cu frână electrică. Dacă în repetate rânduri, mașina nu se oprește rapid după ce butonul declanșator este eliberat, solicitați repararea acesteia la centrul nostru de service.

⚠️ATENȚIE: Sistemul de frânare nu înlocuiește apărătoarea. Nu utilizați niciodată mașina fără apărătoare. Utilizarea unei unealte de tăiere fără apărătoare poate duce la vătămări corporale grave.

ASAMBLARE

⚠️AVERTIZARE: Asigurați-vă întotdeauna că mașina este oprită și cartușul acumulatorului este scos înaintea efectuării oricăror lucrări pe mașină. Dacă unealta nu este oprită și cartușul acumulatorului nu este scos, se pot produce vătămări personale grave în urma pornirii accidentale.

⚠️AVERTIZARE: Nu porniți niciodată mașina dacă aceasta nu este complet asamblată. Operarea mașinii într-o stare de asamblare parțială vă poate provoca leziuni corporale grave cauzate de pornirea accidentală.

Montarea mânerului

Doar pentru DUR190U și DUR191U

1. Introduceți axul mânerului în dispozitivul de prindere. Aliniați orificiul pentru șurub din dispozitivul de prindere cu orificiul din ax. Strângeți ferm șurubul.

► Fig.12: 1. Mâner 2. Șurub 3. Mâner

2. Amplasați mânerul între clema de mâner și suportul de mâner. Reglați mânerul la un unghi care să asigure o poziție de lucru confortabilă și apoi fixați cu șuruburile cu cap hexagonal înecat.

► Fig.13: 1. Șurub cu cap hexagonal înecat 2. Clemă mâner 3. Suport mâner

Atașarea pedicii

Pentru DUR190L și DUR191L

Dacă modelul dvs. este prevăzut cu pedică, atașați-o la mâner, folosind șurubul de pe pedică.

► Fig.14: 1. Pedică 2. Șurub

ATENȚIE: După asamblare, nu demontați pedica. Pedica are rol de piesă de siguranță și vă împiedică să atingeți lama de tăiere în mod accidental.

Montarea țevii de fixare

Doar pentru DUR191U și DUR191L

Montați țeava de fixare pe unitatea de acționare.

1. Rotiți pârghia în direcția săgeții, așa cum se arată în figură.

► Fig.15: 1. Pârghie

2. Trageți în sus capacul de îmbinare și introduceți țeava de fixare în timp ce aliniați protuberanța de pe țeavă (partea laterală a unelei de tăiere) cu porțiunea concavă a părții îmbinate.

► Fig.16: 1. Pârghie de blocare 2. Capac îmbinare 3. Țeavă

Asigurați-vă că suprafața pârghiei de blocare este paralelă cu țeava.

3. Rotiți pârghia în direcția săgeții, așa cum se arată în figură.

► Fig.17: 1. Pârghie

Pentru a scoate țeava, rotiți pârghia în direcția săgeții arătată în figură și trageți țeava în afară în timp ce apăsați pârghia de blocare.

► Fig.18: 1. Pârghie 2. Pârghie de blocare 3. Țeavă

Instalarea apărătorii

AVERTIZARE: Nu utilizați niciodată mașina fără a monta apărătoarea ilustrată. În caz contrar, se pot produce accidentări personale grave.

ATENȚIE: Aveți grijă să nu vă răniți cu cuțitul pentru tăierea firului de nylon.

Prindeți apărătoarea pe clemă folosind șuruburile.

► Fig.19: 1. Clemă 2. Apărătoare 3. Cuțit

Instalarea unelei de tăiere

NOTĂ: Tipul unelei (uneltelor) de tăiere livrate ca accesoriu standard variază de la o țară la alta. În unele țări, unealta de tăiere nu este furnizată.

NOTĂ: Întoarceți mașina invers astfel încât să puteți înlocui cu ușurință unealta de tăiere.

Lamă de tăiere

ATENȚIE: Atunci când manevrați o lamă de tăiere, purtați întotdeauna mănuși și puneți capacul lamei pe lamă.

ATENȚIE: Lama de tăiere trebuie să fie bine lustruită, să nu prezinte fisuri și nici să nu fie avariata. Dacă lama de tăiere se lovește de o piatră în timpul operării, opriți imediat mașina și verificați lama de tăiere.

ATENȚIE: Utilizați întotdeauna lama de tăiere cu diametrul menționat în secțiunea „Specificații”.

► Fig.20: 1. Piuliță 2. Garnitură 3. Șaibă clemă 4. Lamă de tăiere 5. Ax 6. Apărătoare 7. Buton de blocare a axului

1. Montați lama de tăiere pe apărătoare astfel încât săgețile de pe lamă și apărătoare să fie îndreptate în aceeași direcție.

► Fig.21: 1. Săgeată

2. Așezați șaiba clemă și garnitura pe lama de tăiere.

3. În timp ce țineți apăsat în jos butonul de blocare a axului, strângeți bine piulița cu cheia inelară.

► Fig.22: 1. Buton de blocare a axului 2. Cheie inelară 3. Slăbire 4. Strângere

Pentru a demonta lama de tăiere, slăbiți piulița în timp ce țineți apăsat în jos butonul de blocare a axului.

Cap de tăiere cu nylon

NOTĂ: Asigurați-vă că utilizați doar un cap de tăiere cu nylon Makita original.

În timp ce țineți apăsat în jos butonul de blocare a axului, așezați capul de tăiere cu nylon pe ax și strângeți-l bine cu mâna.

► Fig.23: 1. Cap de tăiere din nylon 2. Ax 3. Buton de blocare a axului 4. Slăbire 5. Strângere

Pentru a demonta capul de tăiere cu nylon, slăbiți capul de tăiere cu nylon în timp ce țineți apăsat în jos butonul de blocare a axului.

Lamă din plastic

NOTĂ: Asigurați-vă că utilizați doar lame din plastic Makita originale.

În timp ce țineți apăsat în jos butonul de blocare a axului, așezați lama din plastic pe ax și strângeți-o bine cu mâna.

► Fig.24: 1. Lamă din plastic 2. Ax 3. Buton de blocare a axului 4. Deșurubare 5. Strângere

Pentru a demonta lama din plastic, slăbiți lama din plastic în timp ce țineți apăsat în jos butonul de blocare a axului.

NOTĂ: Puteți utiliza cheia imbus furnizată pentru montarea/demontarea unelei de tăiere. Introduceți cheia imbus în orificiu, astfel cum se arată în figură, pentru a bloca axul.

► **Fig.25:** 1. Cheie imbus 2. Orificiu

ATENȚIE: Utilizați întotdeauna cheile furnizate pentru a monta/demonta unealta de tăiere.

ATENȚIE: Nu uitați să îndepărtați cheia imbus introdusă în capul mașinii după montarea unelei de tăiere.

Reglarea poziției mânerului/ agățatoarei

Reglați poziția mânerului și a agățatoarei pentru a obține o manipulare confortabilă a mașinii.

Pentru DUR190U și DUR191U

Reglați poziției mânerului/agățatoarei astfel încât mașina să se încadreze în intervalul de mai jos.

► **Fig.26**

1	Poziția agățătorii față de sol
2	Poziția unelei de tăiere față de sol
3	Distanța pe orizontală între agățatoare și partea neprotejată a unelei de tăiere

Deșurubați șuruburile cu cap hexagonal înecat de pe partea de jos a suportului pentru mâner. Mutați mânerul într-o poziție de lucru confortabilă și apoi strângeți șuruburile.

► **Fig.27:** 1. Suport mâner 2. Șurub cu cap hexagonal înecat 3. Mâner

Deșurubați șuruburile cu cap hexagonal înecat de pe agățătoare. Mutați agățătoarea într-o poziție de lucru confortabilă și apoi strângeți șuruburile.

► **Fig.28:** 1. Șurub cu cap hexagonal înecat 2. Agățătoare

Pentru DUR190L și DUR191L

Deșurubați șuruburile cu cap hexagonal înecat de pe mâner. Mutați mânerul într-o poziție de lucru confortabilă și apoi strângeți șuruburile.

► **Fig.29:** 1. Șurub cu cap hexagonal înecat 2. Mâner

Deșurubați șurubul cu cap hexagonal înecat de pe agățătoare. Mutați agățătoarea într-o poziție de lucru confortabilă și apoi strângeți șurubul.

► **Fig.30:** 1. Șurub cu cap hexagonal înecat 2. Agățătoare

Depozitarea cheii imbus

Atunci când nu este utilizată, depozitați cheia imbus după cum se vede în figură pentru a nu se pierde.

► **Fig.31:** 1. Cheie imbus

Doar pentru DUR190L și DUR191L

► **Fig.32:** 1. Mâner 2. Cheie imbus

OPERAREA

Atașarea centurii de umăr

ATENȚIE: Folosiți întotdeauna centura de umăr atașată la mașină. Înainte de utilizare, reglați centura de umăr potrivit nevoilor utilizatorului pentru a preveni oboseala.

ATENȚIE: Înainte de utilizare, asigurați-vă că centura de umăr este prinsă corect de agățătoare de pe mașină.

Conectați cârligul centurii de umăr pe agățătoare și puneți-vă centura de umăr. Asigurați-vă că mașina este fixată ferm cu centura de umăr.

DUR190U și DUR191U

► **Fig.33:** 1. Cârlig 2. Agățătoare

DUR190L și DUR191L

► **Fig.34:** 1. Cârlig 2. Agățătoare

Desprindere

Centura de umăr este prevăzută cu un element de eliberare rapidă.

DUR190U și DUR191U

► **Fig.35:** 1. Bandă

Trageți banda în afară, eliberați mașina din centura de umăr.

DUR190L și DUR191L

► **Fig.36:** 1. Dispozitiv de strângere

Trebuie doar să strângeți părțile laterale ale cataramei pentru a elibera mașina din centura de umăr.

Manevrarea corectă a mașinii

AVERTIZARE: Poziționați întotdeauna mașina în partea dreaptă. Poziția corectă a mașinii permite control maxim și va reduce riscul de accidentări grave cauzate de recul.

AVERTIZARE: Fiți foarte atenți pentru a menține controlul mașinii în orice moment. Nu lăsați mașina să fie deviată spre dumneavoastră sau orice altă persoană din apropierea zonei de lucru. Scăparea de sub control a mașinii poate duce la accidente grave ale operatorului și persoanelor din jur.

AVERTIZARE: Pentru a evita accidentele, lăsați o distanță mai mare de 15 m (50 ft) între operatori atunci când doi sau mai mulți operatori de lucrează într-o singură zonă. De asemenea, stabiliți o persoană care să observe distanța dintre operatori. Dacă o persoană sau un animal intră în zona de lucru, opriți imediat operația.

ATENȚIE: Dacă, în timpul operării, unealta de tăiere lovește accidental o piatră sau un obiect dur, mașina trebuie oprită și verificată pentru orice defecțiuni. În cazul în care unealta de tăiere este deteriorată, înlocuiți-o imediat. Utilizarea unei unele de tăiere deteriorate poate duce la vătămări corporale grave.

ATENȚIE: Scoateți capacul pentru lame de pe lama tăiere atunci când tundeți iarba.

O poziție și manevrare corecte vă permit să aveți un control cât mai bun al mașinii și reduc riscul de accidente ca urmare a reculului.

DUR190U și DUR191U

► Fig.37

DUR190L și DUR191L

► Fig.38

la folosirea unui cap de tăiere cu nylon (tip cu percutare și alimentare)

Capul de tăiere cu nylon este un cap de motocosoitoare cu fir dublu, cu mecanisme de alimentare și percutare. Pentru a alimenta firul din nylon, loviți capul de tăiere de sol în timpul unei rotații la turație redusă.

► **Fig.39:** 1. Cea mai eficientă zonă de tăiere

NOTĂ: Alimentarea prin lovire nu va funcționa corect în cazul în care capul de tăiere cu nylon nu se rotește.

NOTĂ: În cazul în care firul din nylon nu este eliberat prin lovire, înfășurați/înlocuiți firul din nylon urmând procedurile din secțiunea dedicată întreținerii.

ÎNTREȚINERE

⚠️ AVERTIZARE: Asigurați-vă întotdeauna că mașina este oprită și cartușul acumulatorului este scos înainte efectuării verificării sau înainte efectuării întreținerii mașinii. Dacă unealta nu este oprită și cartușul acumulatorului nu este scos, se pot produce vătămări personale grave în urma pornirii accidentale.

NOTĂ: Nu utilizați niciodată gazolină, benzină, diluant, alcool sau alte substanțe asemănătoare. În caz contrar, pot rezulta decolorări, deformări sau fisuri.

Pentru a menține SIGURANȚA și FIABILITATEA produsului, reparațiile și orice alte lucrări de întreținere sau reglare trebuie executate de centre de service Makita autorizate sau proprii, folosind întotdeauna piese de schimb Makita.

Înlocuirea firului din nylon

⚠️ AVERTIZARE: Folosiți numai fire din nylon cu diametrul menționat în acest manual de instrucțiuni. Nu utilizați niciodată un fir mai greu, sârmă metalică, funie sau alte materiale similare. În caz contrar, mașina s-ar putea deteriora, existând riscul de vătămare corporală gravă.

⚠️ AVERTIZARE: Scoateți întotdeauna capul de tăiere cu nylon din mașină atunci când înlocuiți firul din nylon.

⚠️ AVERTIZARE: Capacul capului de tăiat cu nylon trebuie să fie corect fixat în carcasă, în modul descris în acest manual de instrucțiuni. Neasigurarea corectă a capacului poate duce la desprinderea capului de tăiere cu nylon, rezultând accidentări personale grave.

Înlocuiți firul din nylon dacă nu mai este alimentat. Metoda de înlocuire a firului din nylon diferă în funcție de tipul capului de tăiere cu nylon.

95-M10L

► Fig.40

Înlocuirea lamei din plastic

Înlocuiți lama din plastic dacă acesta este uzată sau ruptă.

► Fig.41

La momentul instalării lamei din plastic, aliniați direcția săgeții de pe lamă cu cea a apărătoarei.

► **Fig.42:** 1. Săgeată pe apărătoare 2. Săgeată pe lamă

DEPANARE

Înainte de a solicita reparații, efectuați mai întâi propria inspecție. În cazul în care găsiți o problemă care nu este explicată în manual, nu încercați să demontați echipamentul. În schimb, adresați-vă Centrelor de service autorizate Makita, utilizând întotdeauna piese de schimb Makita pentru reparații.

Stare de anormalitate	Cauză probabilă (defecțiune)	Remediu
Motorul nu operează.	Cartușul acumulatorului nu este montat.	Montați cartușul acumulatorului.
	Problemă cu acumulatorul (tensiune scăzută)	Reîncărcați acumulatorul. Dacă reîncărcarea nu este eficientă, înlocuiți acumulatorul.
	Sistemul de acționare nu funcționează corect.	Solicitați centrului de service autorizat local efectuarea reparațiilor.
Motorul se oprește din funcționare după puțin timp.	Nivelul de încărcare al acumulatorului este redus.	Reîncărcați acumulatorul. Dacă reîncărcarea nu este eficientă, înlocuiți acumulatorul.
	Supraîncălzire.	Opriti utilizarea unelei și lăsați-o să se răcească.
Aceasta nu atinge turația maximă.	Acumulatorul este instalat necorespunzător.	Montați cartușul de acumulator în modul descris în acest manual.
	Puterea acumulatorului se reduce.	Reîncărcați acumulatorul. Dacă reîncărcarea nu este eficientă, înlocuiți acumulatorul.
	Sistemul de acționare nu funcționează corect.	Solicitați centrului de service autorizat local efectuarea reparațiilor.
Capul de tăiere nu se rotește: ⇒ opriți imediat mașina!	Obiecte străine, precum crengi, blochează spațiul dintre apărătoare și unealta de tăiere.	Îndepărtați obiectul străin.
	Sistemul de acționare nu funcționează corect.	Solicitați centrului de service autorizat local efectuarea reparațiilor.
Vibrații anormale: ⇒ opriți imediat mașina!	Un capăt al firului din nylon s-a deteriorat.	Apăsăți capul de tăiere din nylon de sol în timp ce acesta se rotește pentru a alimenta firul.
	Sistemul de acționare nu funcționează corect.	Solicitați centrului de service autorizat local efectuarea reparațiilor.
Capul de tăiere și motorul nu pot fi oprite: ⇒ Scoateți imediat acumulatorul!	Defecțiune electrică sau electronică.	Scoateți acumulatorul și solicitați reparații din partea centrului de service autorizat local.

ACCESORII OPȚIONALE

⚠️ AVERTIZARE: Folosiți doar accesoriile sau piesele auxiliare recomandate, indicate în acest manual. Utilizarea altor accesorii sau piese auxiliare poate duce la accidentări grave.

⚠️ ATENȚIE: Folosiți accesoriile sau piesele auxiliare recomandate pentru mașina dumneavoastră Makita în acest manual. Utilizarea oricărui alte accesorii sau piese auxiliare poate prezenta risc de vătămare corporală. Utilizați accesoriile și piesele auxiliare numai în scopul destinat.

Dacă aveți nevoie de asistență sau de mai multe detalii referitoare la aceste accesorii, adresați-vă centrului local de service Makita.

- Lamă de tăiere
- Cap de tăiere din nylon
- Fir de nylon (fir de tăiere)
- Lamă din plastic
- Acumulator și încărcător original Makita

NOTĂ: Unele articole din listă pot fi incluse ca accesorii standard în ambalajul de scule. Acestea pot diferi în funcție de țară.

TECHNISCHE DATEN

Modell:	DUR190U	DUR190L	DUR191U	DUR191L
Handgrifftyp	Doppelgriffstange	Bügelgriff	Doppelgriffstange	Bügelgriff
Leerlaufdrehzahl	3: 6.000 min ⁻¹ 2: 5.100 min ⁻¹ 1: 3.500 min ⁻¹			
Gesamtlänge (ohne Schneidwerkzeug)	1.775 mm			
Nylonfaden-Durchmesser	2,0 - 2,4 mm			
Verwendbares Schneidwerkzeug und Schnittdurchmesser	3-Zahn-Schneidblatt (T/N 191J34-5)	230 mm		
	4-Zahn-Schneidblatt (T/N 729025-2)	230 mm		
	Nylonfadenkopf (T/N 126674-0)	300 mm		
	Kunststoffmesser (T/N 126642-3)	230 mm		
Nennspannung	18 V Gleichstrom			
Nettogewicht	3,1 - 3,4 kg	2,9 - 3,2 kg	3,4 - 3,7 kg	3,2 - 3,5 kg

- Wir behalten uns vor, Änderungen der technischen Daten im Zuge der Entwicklung und des technischen Fortschritts ohne vorherige Ankündigung vorzunehmen.
- Die technischen Daten können von Land zu Land unterschiedlich sein.
- Das Gewicht kann abhängig von dem Aufsatz (den Aufsätzen), einschließlich des Akkus, unterschiedlich sein. Die leichteste und die schwerste Kombination, gemäß dem EPTA-Verfahren 01/2014, sind in der Tabelle angegeben.

Zutreffende Akkus und Ladegeräte

Akku	BL1815N / BL1820 / BL1820B / BL1830 / BL1830B / BL1840 / BL1840B / BL1850 / BL1850B / BL1860B
Ladegerät	DC18RC / DC18RD / DC18RE / DC18SD / DC18SE / DC18SF / DC18SH

- Einige der oben aufgelisteten Akkus und Ladegeräte sind je nach Ihrem Wohngebiet eventuell nicht erhältlich.

⚠️ WARNUNG: Verwenden Sie nur die oben aufgeführten Akkus und Ladegeräte. Bei Verwendung irgendwelcher anderer Akkus und Ladegeräte besteht Verletzungs- und/oder Brandgefahr.

Empfohlener Akku-Adapter

Akku Adapter	PDC01
--------------	-------

- Der (Die) oben aufgelistete(n) Akku-Adapter ist (sind) je nach Ihrem Wohngebiet eventuell nicht erhältlich.
- Lesen Sie vor der Benutzung des Akku-Adapters die Anweisungen und Warnmarkierungen am Akku-Adapter.

Geräusch

Modell DUR190U

Schneidwerkzeug	Schalldruckpegel (L_{pA}) dB (A)		Schalleistungspegel (L_{WA}) dB (A)		Zutreffender Standard
	L_{pA} dB(A)	Messunsicherheit (K) dB(A)	L_{WA} dB(A)	Messunsicherheit (K) dB(A)	
4-Zahn-Schneidblatt	77,0	3,9	91,6	2,4	ISO22868 (ISO11806-1)
Nylonfadenkopf	74,0	1,9	87,1	0,9	ISO22868 (ISO11806-1)/ EN50636-2-91
Kunststoffmesser	75,6	1,3	85,9	2,1	ISO22868 (ISO11806-1)/ EN50636-2-91

Modell DUR190L

Schneidwerkzeug	Schalldruckpegel (L_{pA}) dB (A)		Schalleistungspegel (L_{WA}) dB (A)		Zutreffender Standard
	L_{pA} dB(A)	Messunsicherheit (K) dB(A)	L_{WA} dB(A)	Messunsicherheit (K) dB(A)	
4-Zahn-Schneidblatt	77,0	3,9	91,6	2,4	ISO22868 (ISO11806-1)
Nylonfadenkopf	74,0	1,9	87,1	0,9	ISO22868 (ISO11806-1)/ EN50636-2-91
Kunststoffmesser	75,6	1,3	85,9	2,1	ISO22868 (ISO11806-1)/ EN50636-2-91

Modell DUR191U

Schneidwerkzeug	Schalldruckpegel (L_{pA}) dB (A)		Schalleistungspegel (L_{WA}) dB (A)		Zutreffender Standard
	L_{pA} dB(A)	Messunsicherheit (K) dB(A)	L_{WA} dB(A)	Messunsicherheit (K) dB(A)	
4-Zahn-Schneidblatt	77,0	3,9	91,6	2,4	ISO22868 (ISO11806-1)
Nylonfadenkopf	74,0	1,9	87,1	0,9	ISO22868 (ISO11806-1)/ EN50636-2-91
Kunststoffmesser	75,6	1,3	85,9	2,1	ISO22868 (ISO11806-1)/ EN50636-2-91

Modell DUR191L

Schneidwerkzeug	Schalldruckpegel (L_{pA}) dB (A)		Schalleistungspegel (L_{WA}) dB (A)		Zutreffender Standard
	L_{pA} dB(A)	Messunsicherheit (K) dB(A)	L_{WA} dB(A)	Messunsicherheit (K) dB(A)	
4-Zahn-Schneidblatt	77,0	3,9	91,6	2,4	ISO22868 (ISO11806-1)
Nylonfadenkopf	74,0	1,9	87,1	0,9	ISO22868 (ISO11806-1)/ EN50636-2-91
Kunststoffmesser	75,6	1,3	85,9	2,1	ISO22868 (ISO11806-1)/ EN50636-2-91

- Selbst wenn der oben aufgeführte Schalldruckpegel 80 dB (A) oder weniger beträgt, kann der bei der Arbeit erzeugte Schalldruckpegel 80 dB (A) überschreiten. Tragen Sie einen Gehörschutz.

HINWEIS: Der (Die) angegebene(n) Schallemissionswert(e) wurde(n) im Einklang mit der Standardprüfmethode gemessen und kann (können) für den Vergleich zwischen Werkzeugen herangezogen werden.

HINWEIS: Der (Die) angegebene(n) Schallemissionswert(e) kann (können) auch für eine Vorbewertung des Gefährdungsgrads verwendet werden.

⚠️ WARNUNG: Einen Gehörschutz tragen.

⚠️ WARNUNG: Die Schallemission während der tatsächlichen Benutzung des Elektrowerkzeugs kann je nach der Benutzungsweise des Werkzeugs, und speziell je nach der Art des bearbeiteten Werkstücks, von dem (den) angegebenen Wert(en) abweichen.

⚠️ WARNUNG: Identifizieren Sie Sicherheitsmaßnahmen zum Schutz des Benutzers anhand einer Schätzung des Gefährdungsgrads unter den tatsächlichen Benutzungsbedingungen (unter Berücksichtigung aller Phasen des Arbeitszyklus, wie z. B. Ausschalt- und Leerlaufzeiten des Werkzeugs zusätzlich zur Betriebszeit).

Vibrationen

Modell DUR190U

Schneidwerkzeug	Linksdrehung		Rechtsdrehung		Zutreffender Standard
	$a_{h,w}$ (m/s ²)	Messunsicherheit K (m/s ²)	$a_{h,w}$ (m/s ²)	Messunsicherheit K (m/s ²)	
4-Zahn-Schneidblatt	≤ 2,5	1,5	≤ 2,5	1,5	ISO22867 (ISO11806-1)
Nylonfadenkopf	≤ 2,5	1,5	≤ 2,5	1,5	ISO22867 (ISO11806-1)
Kunststoffmesser	≤ 2,5	1,5	≤ 2,5	1,5	ISO22867 (ISO11806-1)

Modell DUR190L

Schneidwerkzeug	Linksdrehung		Rechtsdrehung		Zutreffender Standard
	$a_{h,w}$ (m/s ²)	Messunsicherheit K (m/s ²)	$a_{h,w}$ (m/s ²)	Messunsicherheit K (m/s ²)	
4-Zahn-Schneidblatt	≤ 2,5	1,5	≤ 2,5	1,5	ISO22867 (ISO11806-1)
Nylonfadenkopf	≤ 2,5	1,5	≤ 2,5	1,5	ISO22867 (ISO11806-1)
Kunststoffmesser	≤ 2,5	1,5	≤ 2,5	1,5	ISO22867 (ISO11806-1)

Modell DUR191U

Schneidwerkzeug	Linksdrehung		Rechtsdrehung		Zutreffender Standard
	$a_{h,w}$ (m/s ²)	Messunsicherheit K (m/s ²)	$a_{h,w}$ (m/s ²)	Messunsicherheit K (m/s ²)	
4-Zahn-Schneidblatt	≤ 2,5	1,5	≤ 2,5	1,5	ISO22867 (ISO11806-1)
Nylonfadenkopf	≤ 2,5	1,5	≤ 2,5	1,5	ISO22867 (ISO11806-1)
Kunststoffmesser	≤ 2,5	1,5	≤ 2,5	1,5	ISO22867 (ISO11806-1)

Schneidwerkzeug	Linksdrehung		Rechtsdrehung		Zutreffender Standard
	$a_{h,w}$ (m/s ²)	Messunsicherheit K (m/s ²)	$a_{h,w}$ (m/s ²)	Messunsicherheit K (m/s ²)	
4-Zahn-Schneidblatt	≤ 2,5	1,5	≤ 2,5	1,5	ISO22867 (ISO11806-1)
Nylonfadenkopf	≤ 2,5	1,5	≤ 2,5	1,5	ISO22867 (ISO11806-1)
Kunststoffmesser	≤ 2,5	1,5	≤ 2,5	1,5	ISO22867 (ISO11806-1)

HINWEIS: Der (Die) angegebene(n) Vibrationsgesamtwert(e) wurde(n) im Einklang mit der Standardprüfmethode gemessen und kann (können) für den Vergleich zwischen Werkzeugen herangezogen werden.

HINWEIS: Der (Die) angegebene(n) Vibrationsgesamtwert(e) kann (können) auch für eine Vorbewertung des Gefährdungsgrads verwendet werden.

⚠️ WARNUNG: Die Vibrationsemission während der tatsächlichen Benutzung des Elektrowerkzeugs kann je nach der Benutzungsweise des Werkzeugs, und speziell je nach der Art des bearbeiteten Werkstücks, von dem (den) angegebenen Emissionswert(en) abweichen.

⚠️ WARNUNG: Identifizieren Sie Sicherheitsmaßnahmen zum Schutz des Benutzers anhand einer Schätzung des Gefährdungsgrads unter den tatsächlichen Benutzungsbedingungen (unter Berücksichtigung aller Phasen des Arbeitszyklus, wie z. B. Ausschalt- und Leerlaufzeiten des Werkzeugs zusätzlich zur Betriebszeit).

Symbole

Nachfolgend werden die für das Gerät verwendeten Symbole beschrieben. Machen Sie sich vor der Benutzung mit ihrer Bedeutung vertraut.



Besondere Umsicht und Aufmerksamkeit erforderlich.



Betriebsanleitung lesen.



Mindestens 15 m Abstand halten.



Gefahr durch herausgeschleuderte Objekte.



Vorsicht; Rückschlag



Helm, Schutzbrille und Gehörschutz tragen.



Schutzhandschuhe tragen.



Festes Schuhwerk mit rutschfesten Sohlen tragen. Sicherheitsschuhe mit Stahl-Zehenkappen werden empfohlen.



Keiner Feuchtigkeit aussetzen.



Nur für EG-Länder
Entsorgen Sie Elektrogeräte oder Akkus nicht zusammen mit dem Hausmüll! Unter Einhaltung der Europäischen Richtlinie über Elektro- und Elektronik-Altgeräte, Batterien, Akkus sowie verbrauchte Batterien und Akkus und ihre Umsetzung gemäß den Landesgesetzen müssen Elektrogeräte und Batterien bzw. Akkus, die das Ende ihrer Lebensdauer erreicht haben, getrennt gesammelt und einer umweltgerechten Recycling-Einrichtung zugeführt werden.

EG-Konformitätserklärung

Nur für europäische Länder

Die EG-Konformitätserklärung ist als Anhang A in dieser Bedienungsanleitung enthalten.

SICHERHEITSWARNUNGEN

Allgemeine Sicherheitswarnungen für Elektrowerkzeuge

⚠️ WARNUNG: Lesen Sie alle mit diesem Elektrowerkzeug gelieferten Sicherheitswarnungen, Anweisungen, Abbildungen und technischen Daten durch. Eine Missachtung der unten aufgeführten Anweisungen kann zu einem elektrischen Schlag, Brand und/oder schweren Verletzungen führen.

Bewahren Sie alle Warnungen und Anweisungen für spätere Bezugnahme auf.

Der Ausdruck „Elektrowerkzeug“ in den Warnhinweisen bezieht sich auf Ihr mit Netzstrom (mit Kabel) oder Akku (ohne Kabel) betriebenes Elektrowerkzeug.

Wichtige Sicherheitsanweisungen für das Werkzeug

⚠️ WARNUNG: Lesen Sie alle Sicherheitswarnungen und Anweisungen durch. Eine Missachtung der unten aufgeführten Warnungen und Anweisungen kann zu einem elektrischen Schlag, Brand und/oder schweren Verletzungen führen.

Bewahren Sie alle Warnungen und Anweisungen für spätere Bezugnahme auf.

Verwendungszweck

1. Dieses Werkzeug ist ausschließlich für das Schneiden von Gras, Unkraut, Gestrüpp und Niedrigbewuchs vorgesehen. Es sollte nicht für andere Zwecke, wie Kanten- oder Heckenschneiden, verwendet werden, weil dadurch Verletzungen verursacht werden können.

Allgemeine Anweisungen

1. Lassen Sie keinesfalls Personen, die nicht mit dieser Anleitung vertraut sind, Personen (einschließlich Kinder) mit verminderten körperlichen, sensorischen oder geistigen Fähigkeiten oder Mangel an Erfahrung und Kenntnissen das Werkzeug benutzen. Kinder sollten beaufsichtigt werden, um sicherzugehen, dass sie nicht mit dem Werkzeug spielen.
2. Bevor Sie das Werkzeug in Betrieb nehmen, sollten Sie diese Betriebsanleitung durchlesen, um sich mit der Handhabung des Werkzeugs vertraut zu machen.
3. Leihen Sie das Werkzeug keiner Person mit ungenügender Erfahrung oder Kenntnissen bezüglich der Handhabung von Freischneidern und Fadentrimmern.
4. Wenn Sie das Werkzeug verleihen, fügen Sie stets diese Betriebsanleitung bei.
5. Behandeln Sie das Werkzeug mit äußerster Sorgfalt und Aufmerksamkeit.
6. Benutzen Sie das Werkzeug niemals nach der Einnahme von Alkohol oder Drogen, oder wenn Sie sich müde oder krank fühlen.
7. Versuchen Sie niemals, das Werkzeug zu modifizieren.
8. Befolgen Sie die Vorschriften über die Handhabung von Freischneidern und Fadentrimmern in Ihrem Land.

Persönliche Schutzausrüstung

► Abb.1

1. Tragen Sie einen Schutzhelm, eine Schutzbrille und Schutzhandschuhe, um sich vor zersplitterndem Unrat oder fallenden Gegenständen zu schützen.
2. Tragen Sie einen Gehörschutz, wie z. B. Ohrschützer, um eine Gehörschädigung zu verhindern.
3. Tragen Sie sachgerechte Kleidung und Schuhe für sicheren Betrieb, wie z. B. einen Arbeitoverall und robustes, rutschfestes Schuhwerk. Tragen Sie keine lose Kleidung oder Schmuck. Lose Kleidung, Schmuck oder langes Haar kann sich in beweglichen Teilen verfangen.
4. Tragen Sie Schutzhandschuhe, wenn Sie das Schneidblatt berühren müssen. Schneidblätter können schwere Verletzungen an bloßen Händen verursachen.

Sicherheit im Arbeitsbereich

1. Betreiben Sie das Werkzeug nur bei Tageslicht unter guten Sichtverhältnissen. Betreiben Sie das Werkzeug nicht bei Dunkelheit oder Nebel.
2. Betreiben Sie das Werkzeug nicht in explosiven Umgebungen, wie z. B. in Gegenwart von brennbaren Flüssigkeiten, Gasen oder Staub. Das Werkzeug erzeugt Funken, die den Staub oder die Dämpfe entzünden können.
3. Stellen Sie sich während der Arbeit niemals auf eine instabile oder schlüpfrige Fläche oder einen steilen Hang. Nehmen Sie sich während der kalten Jahreszeit vor Eis und Schnee in Acht, und achten Sie stets auf sicheren Stand.
4. Halten Sie Umstehende oder Tiere während der Arbeit mindestens 15 m vom Werkzeug entfernt. Halten Sie das Werkzeug an, sobald jemand sich nähert.
5. Betreiben Sie das Werkzeug keinesfalls, während sich Personen, besonders Kinder, oder Haustiere in der Nähe aufhalten.
6. Untersuchen Sie den Arbeitsbereich vor Arbeitsbeginn auf Steine oder andere feste Objekte. Diese können herausgeschleudert werden oder gefährlichen Rückstoß verursachen, was zu ernsthaften Verletzungen und/oder Beschädigung von Eigentum führen kann.
7. **⚠️ WARNUNG:** Durch die Benutzung dieses Produkts kann Staub aufgewirbelt werden, der Chemikalien enthält, die Erkrankungen der Atemwege oder andere Krankheiten verursachen können. Beispiele solcher Chemikalien sind Stoffe, die in Pestiziden, Insektiziden, Düngemitteln und Herbiziden anzutreffen sind. Ihre Gefährdung durch den Umgang mit solchen Chemikalien hängt davon ab, wie oft Sie diese Arbeiten verrichten. Um Ihre Gefährdung durch diese Chemikalien zu reduzieren: Arbeiten Sie in gut belüfteter Umgebung, und verwenden Sie geprüfte Sicherheitsvorrichtungen, wie z. B. Staubmasken, die mikroskopische Teilchen herausfiltern.

Sicherheit der Elektrik und des Akkus

1. Setzen Sie das Werkzeug keinem Regen oder Nässe aus. Wasser, das in das Werkzeug eindringt, erhöht die Stromschlaggefahr.
2. Benutzen Sie das Werkzeug nicht, wenn es sich nicht mit dem Schalter ein- und ausschalten lässt. Ein Werkzeug, das nicht auf die Schalterbetätigung reagiert, ist gefährlich und muss repariert werden.
3. Unbeabsichtigtes Einschalten verhüten. Vergewissern Sie sich, dass sich der Schalter in der Aus-Stellung befindet, bevor Sie einen Akku einsetzen bzw. das Werkzeug aufheben oder tragen. Das Tragen des Werkzeugs mit dem Finger am Schalter oder das Anschließen bei eingeschaltetem Schalter führt zu Unfällen.
4. Werfen Sie den (die) Akku(s) nicht ins Feuer. Die Zelle könnte explodieren. Prüfen Sie die örtlichen Vorschriften für mögliche spezielle Entsorgungsanweisungen.

5. **Versuchen Sie nicht, den (die) Akku(s) zu öffnen oder zu verstümmeln.** Freigesetzter Elektrolyt ist korrosiv und kann Schäden an Augen oder Haut verursachen. Falls er verschluckt wird, kann er giftig sein.
6. **Laden Sie den Akku nicht im Regen oder an nassen Orten.**

Inbetriebnahme

1. **Nehmen Sie den Akku ab, bevor Sie das Werkzeug zusammenbauen oder einstellen.**
2. **Tragen Sie Schutzhandschuhe, bevor Sie das Schneidblatt berühren.**
3. **Überprüfen Sie das Werkzeug auf Beschädigung, lose Schrauben/Muttern oder falschen Zusammenbau, bevor Sie den Akku einsetzen. Schärfen Sie ein stumpfes Schneidblatt. Falls das Schneidblatt verbogen oder beschädigt ist, tauschen Sie es aus. Überprüfen Sie alle Bedienungshebel und Schalter auf Leichtgängigkeit. Säubern und trocknen Sie die Handgriffe.**
4. **Versuchen Sie niemals, das Werkzeug einzuschalten, wenn es beschädigt oder nicht vollständig zusammengebaut ist.** Anderenfalls kann es zu ernsthaften Verletzungen kommen.
5. **Stellen Sie den Schultergurt und den Handgriff auf die Körpergröße des Bedieners ein.**
6. **Wenn Sie einen Akku einsetzen, halten Sie den Schneidaufsatz von Ihrem Körper und anderen Objekten, einschließlich des Bodens, fern.** Der Schneidaufsatz kann sich beim Starten drehen und Verletzungen oder Sachschäden an Werkzeug und/oder Eigentum verursachen.
7. **Etwaige Einstell- oder Schraubenschlüssel oder die Schneidblattabdeckung sind vor dem Einschalten des Werkzeugs zu entfernen.** Ein Zubehörteil, das an einem rotierenden Teil des Werkzeugs angebracht gelassen wird, kann zu Personenschäden führen.
8. **Das Schneidwerkzeug muss mit der Schutzhaube ausgestattet sein. Betreiben Sie das Werkzeug niemals mit beschädigten oder fehlenden Schutzhauben!**
9. **Vergewissern Sie sich, dass keine Stromkabel, Wasserrohre, Gasrohre usw. vorhanden sind, die bei Beschädigung durch den Einsatz des Werkzeugs eine Gefahr darstellen können.**

Betrieb

1. **Schalten Sie das Werkzeug im Notfall unverzüglich aus.**
2. **Falls Sie während des Betriebs einen ungewöhnlichen Zustand (z. B. Geräusche, Vibrationen) feststellen, schalten Sie das Werkzeug aus, und nehmen Sie den Akku ab. Benutzen Sie das Werkzeug erst wieder, nachdem die Ursache festgestellt und behoben worden ist.**
3. **Der Schneidaufsatz dreht sich nach dem Ausschalten des Werkzeugs noch kurze Zeit weiter. Berühren Sie daher den Schneidaufsatz nicht voreilig.**
4. **Benutzen Sie den Schultergurt während des Betriebs. Halten Sie das Werkzeug sicher auf Ihrer rechten Seite.**

5. **Übernehmen Sie sich nicht. Achten Sie stets auf sicheren Stand und gute Balance. Achten Sie auf verborgene Hindernisse, wie z. B. Baumstümpfe, Wurzeln und Gräben, um Stolpern zu vermeiden.**
6. **Achten Sie beim Arbeiten auf Hängen stets auf sicheren Stand.**
7. **Stets gehen, niemals laufen.**
8. **Arbeiten Sie niemals auf einer Leiter oder einem Baum, um Verlust der Kontrolle zu vermeiden.**
9. **Falls das Werkzeug einen schweren Aufprall oder Sturz erleidet, überprüfen Sie seinen Zustand, bevor Sie die Arbeit fortsetzen. Überprüfen Sie die Bedienelemente und Sicherheitsvorrichtungen auf Fehlfunktionen. Falls Sie einen Schaden feststellen oder Zweifel haben, wenden Sie sich bezüglich einer Inspektion und Reparatur an unser autorisiertes Service-Center.**
10. **Machen Sie eine Pause, um durch Müdigkeit verursachten Verlust der Kontrolle zu verhüten.** Wir empfehlen, jede Stunde eine Pause von 10 bis 20 Minuten einzulegen.
11. **Wenn Sie das Werkzeug unbeaufsichtigt lassen, auch nur für kurze Zeit, nehmen Sie stets den Akku ab.** Bleibt der Akku des unbeaufsichtigten Werkzeugs eingesetzt, kann das Werkzeug von einer unbefugten Person benutzt werden und einen schweren Unfall verursachen.
12. **Falls sich Gras oder Äste zwischen Schneidaufsatz und Schutzhaube verfangen, schalten Sie stets das Werkzeug aus, und nehmen Sie den Akku ab, bevor Sie mit der Säuberung beginnen.** Anderenfalls kann sich der Schneidaufsatz unbeabsichtigt in Bewegung setzen und ernsthafte Verletzungen verursachen.
13. **Berühren Sie rotierende gefährliche Teile niemals, bevor sie zu einem vollkommenen Stillstand gekommen sind und der Akku abgenommen worden ist.**
14. **Falls der Schneidaufsatz auf Steine oder andere harte Objekte trifft, schalten Sie das Werkzeug sofort aus. Nehmen Sie dann den Akku ab, und überprüfen Sie den Schneidaufsatz.**
15. **Überprüfen Sie den Schneidaufsatz während des Betriebs öfter auf Risse oder Beschädigung. Nehmen Sie vor der Inspektion den Akku ab, und warten Sie, bis der Schneidaufsatz vollständig zum Stillstand kommt. Wechseln Sie einen beschädigten Schneidaufsatz unverzüglich aus, selbst wenn er nur oberflächliche Risse aufweist.**
16. **Schneiden Sie niemals über der Hüfthöhe.**
17. **Bevor Sie mit der Schneidarbeit beginnen, warten Sie, bis der Schneidaufsatz nach dem Einschalten des Werkzeugs eine konstante Drehzahl erreicht.**
18. **Wenn Sie ein Schneidblatt verwenden, schwenken Sie das Werkzeug gleichmäßig in einem Halbkreis von rechts nach links wie eine Sense.**
19. **Halten Sie das Werkzeug nur an den isolierten Griffflächen, wenn die Gefahr besteht, dass das Schneidblatt verborgene Kabel kontaktiert.** Wenn Schneidblätter ein Strom führendes Kabel kontaktieren können die freiliegenden Metallteile des Werkzeugs ebenfalls Strom führend werden, so dass der Bediener einen elektrischen Schlag erleiden kann.

20. **Starten Sie das Werkzeug nicht, wenn sich das Schneidwerkzeug in abgeschnittenem Gras verheddert hat.**
21. **Vergewissern Sie sich vor dem Starten des Werkzeugs, dass das Schneidwerkzeug nicht den Boden oder andere Hindernisse, wie z. B. einen Baum, berührt.**
22. **Halten Sie das Werkzeug während des Betriebs immer mit beiden Händen. Halten Sie das Werkzeug während der Benutzung niemals nur mit einer Hand.**
23. **Benutzen Sie das Werkzeug nicht bei schlechtem Wetter oder wenn Blitzgefahr besteht.**
3. **So vermeiden Sie Rückschlag:**
 1. **Setzen Sie das Segment zwischen der 8- und 11-Uhr-Stellung an.**
 2. **Setzen Sie niemals das Segment zwischen der 12- und 2-Uhr-Stellung an.**
 3. **Setzen Sie niemals das Segment zwischen der 11- und 12-Uhr-Stellung sowie zwischen der 2- und 5-Uhr-Stellung an, es sei denn, der Bediener ist geschult und erfahren und führt die Arbeiten auf eigene Gefahr aus.**
 4. **Benutzen Sie Schneidblätter niemals in der Nähe von festen Objekten, wie z. B. Zäunen, Mauern, Baumstümpfen und Steinen.**
 5. **Benutzen Sie Schneidblätter niemals senkrecht für solche Arbeiten wie Kanten- und Heckenschneiden.**

Schneidwerkzeuge

1. **Verwenden Sie kein Schneidwerkzeug, das nicht von uns empfohlen wird.**
2. **Verwenden Sie ein geeignetes Schneidwerkzeug für die anstehende Arbeit.**
 - Für das Schneiden von Rasengras sind Nylonfadenköpfe (Fadentrimmerköpfe) und Kunststoffmesser geeignet.
 - Schneidblätter eignen sich zum Schneiden von Unkraut, hohem Gras, Buschwerk, Gesträuch, Unterholz, Dickicht und dergleichen.
 - Verwenden Sie keinesfalls andere Schneidblätter, einschließlich mehrgliedriger Metall-Gelenkketten und Fliegelblätter. Es könnte sonst zu ernsthaften Verletzungen kommen.
3. **Verwenden Sie nur die Schneidwerkzeuge, die mit einer Drehzahl markiert sind, die der am Werkzeug angegebenen Drehzahl entspricht oder diese übertrifft.**
4. **Halten Sie stets Ihre Hände, Gesicht und Kleidung vom rotierenden Schneidwerkzeug fern. Anderenfalls kann es zu Personenschäden kommen.**
5. **Montieren Sie stets eine für das verwendete Schneidwerkzeug geeignete Schutzhaube.**
6. **Wenn Sie Schneidblätter verwenden, vermeiden Sie Rückschlag, und machen Sie sich immer auf unvorhergesehene Rückschläge gefasst. Siehe den Abschnitt über Rückschlag.**
7. **Schützen Sie das Schneidblatt bei Nichtgebrauch mit der Schneidblattabdeckung. Entfernen Sie die Abdeckung vor dem Betrieb.**

Rückschlag (Schneidblatthieb)

1. **Rückschlag (Schneidblatthieb) ist eine plötzliche Reaktion auf ein hängen bleibendes oder klemmendes Schneidblatt. Derartige Rückschläge schleudern das Werkzeug mit großer Kraft seitwärts oder auf den Bediener zu und können ernsthafte Verletzungen verursachen.**
2. **Rückschlag tritt vor allem auf, wenn das Schneidblattsegment zwischen der 12- und 2-Uhr-Stellung an feste Gegenstände, Büsche und Bäume mit einem Durchmesser von 3 cm oder mehr angesetzt wird.**

► Abb.2

► Abb.3

Vibrationen

1. **Bei Personen mit Durchblutungsstörungen, die starken Schwingungen ausgesetzt werden, kann es zu einer Schädigung von Blutgefäßen oder des Nervensystems kommen.** Folgende Symptome können durch Schwingungen an Fingern, Händen oder Handgelenken auftreten: „Einschlafen“ (Taubheit) von Körperteilen, Kribbeln, Schmerz, Stechen, Veränderung von Hautfarbe oder Haut. Falls eines dieser Symptome auftritt, suchen Sie einen Arzt auf!
2. **Um die Gefahr von VVS (vibrationsbedingtes vasospastisches Syndrom) zu reduzieren, halten Sie Ihre Hände während der Arbeit warm, und sorgen Sie für gute Wartung von Werkzeug und Zubehör.**

Transport

1. **Bevor Sie das Werkzeug transportieren, schalten Sie es aus, und nehmen Sie den Akku ab. Bringen Sie die Abdeckung am Schneidblatt an.**
2. **Wenn Sie das Werkzeug transportieren, tragen Sie es in waagerechter Stellung, indem Sie den Schaft halten.**
3. **Wenn Sie das Werkzeug in einem Fahrzeug transportieren, sichern Sie es ordnungsgemäß, um Überschlagen zu verhindern. Anderenfalls kann es zu Beschädigung des Werkzeugs und anderen Gepäcks kommen.**

Wartung

1. **Lassen Sie Ihr Werkzeug von einem autorisierten Service-Center warten, und verwenden Sie immer nur Original-Ersatzteile.** Falsche Reparatur und schlechte Wartung können die Lebensdauer des Werkzeugs verkürzen und die Unfallgefahr erhöhen.
2. **Bevor Sie Wartungs- oder Reparaturarbeiten durchführen oder das Werkzeug reinigen, sollten Sie immer das Werkzeug ausschalten und den Akku abnehmen.**
3. **Tragen Sie stets Schutzhandschuhe bei der Handhabung des Schneidblatts.**

4. **Säubern Sie das Werkzeug immer von Staub und Schmutz. Verwenden Sie auf keinen Fall Benzin, Waschbenzin, Verdünnern, Alkohol oder dergleichen zu diesem Zweck.** Es kann sonst zu Verfärbung, Verformung oder Rissbildung der Kunststoffteile kommen.
5. **Ziehen Sie alle Schrauben und Muttern nach jedem Gebrauch fest.**
6. **Versuchen Sie nicht, Wartungs- oder Reparaturarbeiten durchzuführen, die nicht in der Betriebsanleitung beschrieben sind. Überlassen Sie solche Arbeiten unserem autorisierten Service-Center.**
7. **Verwenden Sie immer nur unsere Original-Ersatz- und Zubehörteile.** Die Verwendung von Ersatz- oder Zubehörteilen von Drittherstellern kann zu einem Ausfall des Werkzeugs, Sachschäden und/oder ernsthaften Verletzungen führen.
8. **Lassen Sie das Werkzeug von unserem autorisierten Service-Center in regelmäßigen Abständen inspizieren und warten.**
9. **Halten Sie das Werkzeug stets in gutem Betriebszustand.** Schlechte Wartung kann zu schlechter Leistung und einer Verkürzung der Nutzungsdauer des Werkzeugs führen.
4. **Falls Elektrolyt in Ihre Augen gelangt, waschen Sie sie mit sauberem Wasser aus, und begeben Sie sich unverzüglich in ärztliche Behandlung. Anderenfalls können Sie Ihre Sehkraft verlieren.**
5. **Der Akku darf nicht kurzgeschlossen werden:**
 - (1) **Die Kontakte dürfen nicht mit leitfähigem Material berührt werden.**
 - (2) **Lagern Sie den Akku nicht in einem Behälter zusammen mit anderen Metallgegenständen, wie z. B. Nägel, Münzen usw.**
 - (3) **Setzen Sie den Akku weder Wasser noch Regen aus.**

Ein Kurzschluss des Akkus verursacht starken Stromfluss, der Überhitzung, mögliche Verbrennungen und einen Defekt zur Folge haben kann.

Lagerung

1. **Bevor Sie das Werkzeug lagern, führen Sie eine vollständige Reinigung und Wartung durch. Nehmen Sie den Akku ab. Bringen Sie die Abdeckung am Schneidblatt an.**
2. **Lagern Sie das Werkzeug an einem trockenen und hohen oder abschließbaren Ort außer Reichweite von Kindern.**
3. **Lehnen Sie das Werkzeug nicht gegen eine Wand oder dergleichen. Anderenfalls kann es plötzlich umkippen und Verletzungen verursachen.**

Erste Hilfe

1. **Halten Sie stets einen Erste-Hilfe-Kasten in der Nähe bereit. Dem Erste-Hilfe-Kasten entnommenes Material ist sofort wieder aufzufüllen.**
2. **Wenn Sie Hilfe anfordern, machen Sie bitte folgende Angaben:**
 - Ort des Unfalls
 - Art des Unfalls
 - Zahl der Verletzten
 - Art der Verletzungen
 - Ihr Name

Wichtige Sicherheitsanweisungen für Akku

1. **Lesen Sie vor der Benutzung des Akkus alle Anweisungen und Warnhinweise, die an (1) Ladegerät, (2) Akku und (3) Akkuwerkzeug angebracht sind.**
2. **Unterlassen Sie ein Zerlegen des Akkus.**
3. **Falls die Betriebszeit beträchtlich kürzer geworden ist, stellen Sie den Betrieb sofort ein. Anderenfalls besteht die Gefahr von Überhitzung, möglichen Verbrennungen und sogar einer Explosion.**

6. **Lagern Sie das Werkzeug und den Akku nicht an Orten, an denen die Temperatur 50 °C erreichen oder überschreiten kann.**
7. **Versuchen Sie niemals, den Akku zu verbrennen, selbst wenn er stark beschädigt oder vollkommen verbraucht ist. Der Akku kann im Feuer explodieren.**
8. **Achten Sie darauf, dass der Akku nicht fallen gelassen oder Stößen ausgesetzt wird.**
9. **Benutzen Sie keine beschädigten Akkus.**
10. **Die enthaltenen Lithium-Ionen-Akkus unterliegen den Anforderungen der Gefahrgut-Gesetzgebung.**

Für kommerzielle Transporte, z. B. durch Dritte oder Spediteure, müssen besondere Anforderungen zu Verpackung und Etikettierung beachtet werden. Zur Vorbereitung des zu transportierenden Artikels ist eine Beratung durch einen Experten für Gefahrgut erforderlich. Bitte beachten Sie möglicherweise ausführlichere nationale Vorschriften. Überleben oder verdecken Sie offene Kontakte, und verpacken Sie den Akku so, dass er sich in der Verpackung nicht umher bewegen kann.

11. **Entfernen Sie den Akku zum Entsorgen vom Werkzeug, und entsorgen Sie ihn an einem sicheren Ort. Befolgen Sie die örtlichen Vorschriften bezüglich der Entsorgung von Akkus.**
12. **Verwenden Sie die Akkus nur mit den von Makita angegebenen Produkten.** Das Einsetzen der Akkus in nicht konforme Produkte kann zu einem Brand, übermäßiger Hitzebildung, einer Explosion oder Auslaufen von Elektrolyt führen.
13. **Soll das Werkzeug längere Zeit nicht benutzt werden, muss der Akku vom Werkzeug entfernt werden.**

DIESE ANWEISUNGEN AUFBEWAHREN.

⚠ VORSICHT: Verwenden Sie nur Original-Makita-Akkus. Die Verwendung von Nicht-Original-Makita-Akkus oder von Akkus, die abgeändert worden sind, kann zum Bersten des Akkus und daraus resultierenden Bränden, Personenschäden und Beschädigung führen. Außerdem wird dadurch die Makita-Garantie für das Makita-Werkzeug und -Ladegerät ungültig.

Hinweise zur Aufrechterhaltung der maximalen

Akku-Nutzungsdauer

1. Laden Sie den Akku, bevor er vollkommen erschöpft ist. Schalten Sie das Werkzeug stets aus, und laden Sie den Akku, wenn Sie ein Nachlassen der Werkzeugleistung feststellen.
2. Unterlassen Sie erneutes Laden eines voll aufgeladenen Akkus. Überladen führt zu einer Verkürzung der Nutzungsdauer des Akkus.
3. Laden Sie den Akku bei Raumtemperatur zwischen 10 – 40 °C. Lassen Sie einen heißen Akku abkühlen, bevor Sie ihn laden.
4. Der Akku muss geladen werden, wenn er lange Zeit (länger als sechs Monate) nicht benutzt wird.

BEZEICHNUNG DER TEILE

► Abb.4

1	Drehzahlanzeige	2	ADT-Anzeige (ADT = Automatic Torque Drive Technology (Automatische Drehzahlregulierung))	3	Warnlampe	4	Hauptbetriebstaste
5	Drehrichtungs-Umkehrtaste	6	Akku	7	Einschaltsperrhebel	8	Ein-Aus-Schalter
9	Aufhänger	10	Bügelgriff	11	Barriere (länderspezifisch)	12	Schutzhaube
13	Verriegelungshebel (nur DUR191U und DUR191L)	14	Verbindungsabdeckung (nur DUR191U und DUR191L)	15	Kappe (nur DUR191U und DUR191L)	16	Schultergurt

FUNKTIONSBESCHREIBUNG

⚠️ WARNUNG: Vergewissern Sie sich vor der Durchführung von Einstellungen oder Funktionsprüfungen des Werkzeugs stets, dass das Werkzeug ausgeschaltet und der Akku abgenommen ist. Werden Ausschalten des Werkzeugs und Abnehmen des Akkus unterlassen, kann es zu schweren Personenschäden durch versehentliches Anlaufen kommen.

Anbringen und Abnehmen des Akkus

⚠️ VORSICHT: Schalten Sie das Werkzeug stets aus, bevor Sie den Akku anbringen oder abnehmen.

⚠️ VORSICHT: Halten Sie das Werkzeug und den Akku beim Anbringen oder Abnehmen des Akkus sicher fest. Wenn Sie das Werkzeug und den Akku nicht sicher festhalten, können sie Ihnen aus der Hand rutschen, was zu einer Beschädigung des Werkzeugs und des Akkus und zu Körperverletzungen führen kann.

► Abb.5: 1. Rote Anzeige 2. Knopf 3. Akku

Ziehen Sie den Akku zum Abnehmen vom Werkzeug ab, während Sie den Knopf an der Vorderseite des Akkus verschieben.

Richten Sie zum Anbringen des Akkus dessen Führungsfeder auf die Nut im Gehäuse aus, und schieben Sie den Akku hinein. Schieben Sie ihn vollständig ein, bis er mit einem hörbaren Klicken einrastet. Falls die rote Anzeige an der Oberseite des Knopfes sichtbar ist, ist der Akku nicht vollständig verriegelt.

⚠️ VORSICHT: Schieben Sie den Akku stets bis zum Anschlag ein, bis die rote Anzeige nicht mehr sichtbar ist. Anderenfalls kann er aus dem Werkzeug herausfallen und Sie oder umstehende Personen verletzen.

⚠️ VORSICHT: Unterlassen Sie Gewaltanwendung beim Anbringen des Akkus. Falls der Akku nicht reibungslos hineingleitet, ist er nicht richtig ausgerichtet.

Werkzeug/Akku-Schutzsystem

Das Werkzeug ist mit einem Werkzeug/Akku-Schutzsystem ausgestattet. Dieses System schaltet die Stromversorgung des Motors automatisch ab, um die Lebensdauer von Werkzeug und Akku zu verlängern. Das Werkzeug bleibt während des Betriebs automatisch stehen, wenn das Werkzeug einer der folgenden Bedingungen unterliegt:

Farbe	Warnlampe		Status
	Ein	Blinkend	
Rot			Überlastung
Rot			Überhitzung
Rot			Tiefentladung

Überlastschutz

Falls das Werkzeug in eine der folgenden Situationen gerät, bleibt das Werkzeug automatisch stehen, und die Warnlampe beginnt in Rot zu blinken:

- Das Werkzeug wird durch verheddertes Unkraut oder anderen Unrat überlastet.
- Das Schneidwerkzeug ist blockiert oder hat einen Rückschlag bewirkt.

— Die Hauptbetriebstaste ist eingeschaltet, während der Auslöseschalter betätigt wird.

Lassen Sie in dieser Situation den Auslöseschalter los, und entfernen Sie gegebenenfalls verfangenes Unkraut oder Fremdkörper. Betätigen Sie danach wieder den Auslöseschalter, um fortzufahren.

⚠ VORSICHT: Wenn Sie verheddertes Unkraut am Werkzeug entfernen oder das blockierte Schneidwerkzeug befreien müssen, schalten Sie unbedingt das Werkzeug aus, bevor Sie beginnen.

Überhitzungsschutz für Werkzeug oder Akku

Wenn das Werkzeug oder der Akku überhitzt wird, bleibt das Werkzeug automatisch stehen. Wenn das Werkzeug oder der Akku überhitzt wird, erlöschen die Drehzahlanzeige und die ADT-Anzeige, und die Warnlampe leuchtet in Rot auf. Lassen Sie das Werkzeug und/oder den Akku abkühlen, bevor Sie das Werkzeug wieder einschalten.

Überentladungsschutz

Wenn die Akkukapazität niedrig wird, schaltet sich das Werkzeug automatisch aus. Die Drehzahlanzeige und die ADT-Anzeige erlöschen, und die Warnlampe beginnt, in Rot zu blinken.



















Falls das Werkzeug trotz Betätigung der Schalter nicht funktioniert, nehmen Sie den Akku vom Werkzeug ab, und laden Sie ihn auf.

Anzeigen der Akku-Restkapazität

Nur für Akkus mit Anzeige

► **Abb.6:** 1. Anzeigelampen 2. Prüftaste

Drücken Sie die Prüftaste am Akku, um die Akku-Restkapazität anzuzeigen. Die Anzeigelampen leuchten wenige Sekunden lang auf.

Anzeigelampen			Restkapazität
 Erleuchtet	 Aus	 Blinkend	
			75% bis 100%
			50% bis 75%
			25% bis 50%
			0% bis 25%
			Den Akku aufladen.
 			Möglicherweise liegt eine Funktionsstörung im Akku vor.
 			

HINWEIS: Abhängig von den Benutzungsbedingungen und der Umgebungstemperatur kann die Anzeige geringfügig von der tatsächlichen Kapazität abweichen.

Hauptbetriebsschalter

Tippen Sie auf die Hauptbetriebstaste, um das Werkzeug einzuschalten.

Um das Werkzeug auszuschalten, halten Sie die Hauptbetriebstaste gedrückt, bis die Drehzahlanzeige erlischt.

► **Abb.7:** 1. Drehzahlanzeige 2. Hauptbetriebstaste

HINWEIS: Das Werkzeug schaltet sich automatisch aus, wenn es eine bestimmte Zeitlang ohne Bedienung bleibt.

Schalterfunktion

⚠ WARNUNG: Vergewissern Sie sich vor dem Anbringen des Akkus am Werkzeug stets, dass der Ein-Aus-Schalter ordnungsgemäß funktioniert und beim Loslassen in die AUS-Stellung „OFF“ zurückkehrt. Der Betrieb des Werkzeugs mit fehlerhaftem Schalter kann zum Verlust der Kontrolle und zu schweren Verletzungen führen.

⚠ VORSICHT: Legen Sie beim Tragen niemals Ihren Finger auf den Schalter. Anderenfalls kann das Werkzeug unbeabsichtigt anlaufen und Verletzungen verursachen.

Um versehentliche Betätigung des Ein-Aus-Schalters zu verhüten, ist das Werkzeug mit einem Einschaltsperrhebel ausgestattet.

Um das Werkzeug zu starten, fassen Sie die Griffstange (der Einschaltsperrhebel wird durch den Zugriff freigegeben), und betätigen Sie dann den Auslöseschalter. Zum Ausschalten des Werkzeugs lassen Sie den Auslöseschalter los.

DUR190U und DUR191U

► **Abb.8:** 1. Einschaltsperrhebel 2. Ein-Aus-Schalter

DUR190L und DUR191L











► **Abb.9:** 1. Einschaltsperrhebel 2. Ein-Aus-Schalter

HINWEIS: Das Werkzeug schaltet sich automatisch aus, wenn es eine bestimmte Zeitlang ohne jegliche Bedienung gelassen wird.

Drehzahleinstellung

Sie können die Werkzeugdrehzahl durch Antippen der Hauptbetriebstaste wählen. Mit jedem Antippen der Hauptbetriebstaste ändert sich die Drehzahlstufe.

► **Abb.10:** 1. Drehzahlanzeige 2. Hauptbetriebstaste 3. ADT-Anzeige

Drehzahlanzeige	Betriebsart	Drehzahl
	ADT	3.500 - 6.000 min ⁻¹
3  2  1 	Hoch	6.000 min ⁻¹
3  2  1 	Mittel	5.100 min ⁻¹
3  2  1 	Niedrig	3.500 min ⁻¹

HINWEIS: Wenn Sie die Automatic Torque Drive Technology (Automatische Drehzahlregelung) (ADT) aktivieren, wird die ADT-Anzeige eingeschaltet, und das Werkzeug läuft mit optimaler Drehzahl und optimalem Drehmoment für den Zustand des zu schneidenden Grasses.

Drehrichtungs-Umkehrtaste für Fremdkörperbeseitigung

⚠️ WARNUNG: Schalten Sie das Werkzeug aus, und nehmen Sie den Akku ab, bevor Sie verheddertes Unkraut oder Fremdkörper entfernen, die durch die Drehrichtungs-Umkehrfunktion nicht beseitigt werden können. Werden Ausschalten des Werkzeugs und Abnehmen des Akkus unterlassen, kann es zu schweren Personenschäden durch versehentliches Anlaufen kommen.

Dieses Werkzeug besitzt eine Drehrichtungs-Umkehrtaste, mit der die Drehrichtung gewechselt werden kann. Sie ist nur zum Entfernen von Unkraut und Fremdkörpern vorgesehen, die sich im Werkzeug verfangen haben.

Um die Drehrichtung umzukehren, tippen Sie die Drehrichtungs-Umkehrtaste an, und betätigen Sie den Auslöseschalter, während Sie den Einschaltsperrhebel niederdrücken, wenn das Schneidwerkzeug still steht. Die Drehzahlanzeigen und die ADT-Anzeige beginnen zu blinken, und das Schneidwerkzeug dreht sich in umgekehrter Richtung, wenn Sie den Auslöseschalter betätigen.

Um wieder auf die normale Drehrichtung umzuschalten, lassen Sie den Auslöser los, und warten Sie, bis das Schneidwerkzeug zum Stillstand kommt.

► **Abb.11:** 1. Drehzahlanzeige 2. ADT-Anzeige
3. Drehrichtungs-Umkehrtaste

HINWEIS: Das Werkzeug läuft nur für eine kurze Zeitspanne in umgekehrter Drehrichtung und bleibt dann automatisch stehen.

HINWEIS: Nachdem das Werkzeug zum Stillstand gekommen ist, läuft es wieder in der normalen Drehrichtung, wenn Sie es wieder in Betrieb nehmen.

HINWEIS: Wenn Sie die Drehrichtungs-Umkehrtaste antippen, während sich das Schneidwerkzeug noch dreht, kommt das Werkzeug zum Stillstand und ist dann für Rückwärtsdrehung bereit.

Elektrische Bremse

Dieses Werkzeug ist mit einer elektrischen Bremse ausgestattet. Falls das Werkzeug nach dem Loslassen des Auslöseschalters ständig nicht sofort anhält, lassen Sie es von unserem Kundenzentrum warten.

⚠️ VORSICHT: Dieses Bremssystem ist kein Ersatz für die Schutzhaube. Benutzen Sie das Werkzeug niemals ohne die Schutzhaube. Ein ungeschütztes Schneidwerkzeug kann zu ernsthaften Personenschäden führen.

MONTAGE

⚠️ WARNUNG: Vergewissern Sie sich vor der Ausführung von Arbeiten am Werkzeug stets, dass das Werkzeug ausgeschaltet und der Akku abgenommen ist. Werden Ausschalten des Werkzeugs und Abnehmen des Akkus unterlassen, kann es zu schweren Personenschäden durch versehentliches Anlaufen kommen.

⚠️ WARNUNG: Starten Sie das Werkzeug niemals, wenn es nicht vollständig zusammengebaut ist. Der Betrieb des unvollständig zusammengebauten Werkzeugs kann zu schweren Personenschäden durch versehentliches Anlaufen führen.

Montieren der Griffstange

Nur für DUR190U und DUR191U

1. Führen Sie den Schaft der Griffstange in den Griff ein. Richten Sie die Schraubenbohrung im Griff auf die Bohrung im Schaft aus. Ziehen Sie die Schraube sicher fest.

► **Abb.12:** 1. Griff 2. Schraube 3. Griffstange

2. Platzieren Sie die Griffstange zwischen Griffstangenklemme und Griffstangenhalter. Stellen Sie die Griffstange auf einen Winkel ein, der eine komfortable Arbeitsposition gestattet, und sichern Sie sie dann mit Innensechskantschrauben.

► **Abb.13:** 1. Innensechskantschraube
2. Griffstangenklemme 3. Griffstangenhalter

Anbringen der Barriere

Für DUR190L und DUR191L

Falls die Barriere im Lieferumfang Ihres Modells enthalten ist, befestigen Sie sie mit der an der Barriere angebrachten Schraube am Bügelgriff.

► **Abb.14:** 1. Barriere 2. Schraube

⚠️ VORSICHT: Die Barriere darf nach der Montage nicht entfernt werden. Die Barriere fungiert als Sicherheitsteil, um zu verhindern, dass Sie versehentlich mit dem Schneidblatt in Berührung kommen.

Montieren des Zubehörrohrs

Nur für DUR191U und DUR191L

Montieren Sie das Zubehörrohr am Antriebsaggregat.

1. Schwenken Sie den Hebel in Pfeilrichtung, wie in der Abbildung gezeigt.

► **Abb.15:** 1. Hebel

2. Ziehen Sie die Verbindungsabdeckung hoch, und führen Sie das Zubehörrohr ein, während Sie den Vorsprung am Rohr (Schneidwerkzeugseite) auf die Vertiefung des Verbindungsteils ausrichten.

► **Abb.16:** 1. Verriegelungshebel
2. Verbindungsabdeckung 3. Rohr

Vergewissern Sie sich, dass die Oberfläche des Verriegelungshebels parallel zum Rohr ist.

3. Schwenken Sie den Hebel in Pfeilrichtung, wie in der Abbildung gezeigt.

► **Abb.17:** 1. Hebel

Zum Entfernen des Rohrs schwenken Sie den Hebel in Pfeilrichtung, wie in der Abbildung gezeigt, und ziehen Sie das Rohr heraus, während Sie den Verriegelungshebel niederdrücken.

► **Abb.18:** 1. Hebel 2. Verriegelungshebel 3. Rohr

Montieren der Schutzhaube

⚠️ WARNUNG: Benutzen Sie das Werkzeug niemals ohne die abgebildete Schutzhaube. Anderenfalls kann es zu schweren Personenschäden kommen.

⚠️ VORSICHT: Achten Sie darauf, dass Sie sich beim Abschneiden des Nylonfadens nicht am Abschnaider verletzen.

Befestigen Sie die Schutzhaube mit Schrauben an der Klemme.

► **Abb.19:** 1. Klemme 2. Schutzhaube 3. Schneidglied

Montieren des Schneidwerkzeugs

HINWEIS: Der Typ der als Standardzubehör mitgelieferten Schneidwerkzeuge ist je nach Land unterschiedlich. In manchen Ländern ist kein Schneidwerkzeug im Lieferumfang enthalten.

HINWEIS: Drehen Sie das Werkzeug um, damit Sie das Schneidwerkzeug leicht auswechseln können.

Schneidblatt

⚠️ VORSICHT: Tragen Sie zum Anfasen eines Schneidblatts immer Handschuhe, und setzen Sie die Schneidblattabdeckung auf das Schneidblatt.

⚠️ VORSICHT: Das Schneidblatt muss gut geschliffen sein und darf keine Risse oder Brüche aufweisen. Falls das Schneidblatt während des Betriebs gegen einen Stein stößt, halten Sie das Werkzeug an, und überprüfen Sie das Schneidblatt sofort.

⚠️ VORSICHT: Verwenden Sie stets das Schneidblatt, dessen Durchmesser im Abschnitt für die technischen Daten beschrieben ist.

► **Abb.20:** 1. Mutter 2. Manschette 3. Klemmscheibe 4. Schneidblatt 5. Spindel 6. Schutzteil 7. Spindelarretierknopf

1. Montieren Sie das Schneidblatt am Schutzteil, so dass die Pfeile auf Schneidblatt und Schutzhaube in die gleiche Richtung zeigen.

► **Abb.21:** 1. Pfeil

2. Setzen Sie Klemmscheibe und Manschette auf das Schneidblatt.

3. Während Sie den Spindelarretierknopf niedergedrückt halten, ziehen Sie die Mutter mit dem Ringschlüssel sicher fest.

► **Abb.22:** 1. Spindelarretierknopf 2. Ringschlüssel 3. Lösen 4. Anziehen

Um das Schneidblatt zu entfernen, lösen Sie die Mutter, während Sie den Spindelarretierknopf niederhalten.

Nylonfadenkopf

ANMERKUNG: Verwenden Sie unbedingt den Original-Nylonfadenkopf von Makita.

Während Sie den Spindelarretierknopf niederhalten, setzen Sie den Nylonfadenkopf auf die Spindel, und ziehen Sie ihn von Hand sicher fest.

► **Abb.23:** 1. Nylonfadenkopf 2. Spindel 3. Spindelarretierknopf 4. Lösen 5. Anziehen

Um den Nylonfadenkopf zu entfernen, lösen Sie den Nylonfadenkopf, während Sie den Spindelarretierknopf niederhalten.

Kunststoffmesser

ANMERKUNG: Verwenden Sie unbedingt ein Original-Makita-Kunststoffmesser.

Während Sie den Spindelarretierknopf niederhalten, setzen Sie das Kunststoffmesser auf die Spindel, und ziehen Sie es von Hand sicher fest.

► **Abb.24:** 1. Kunststoffmesser 2. Spindel 3. Spindelarretierknopf 4. Lösen 5. Anziehen

Um das Kunststoffmesser zu entfernen, lösen Sie das Kunststoffmesser, während Sie den Spindelarretierknopf niederhalten.

HINWEIS: Zum Montieren/Demontieren des Schneidwerkzeugs können Sie den mitgelieferten Inbusschlüssel verwenden. Führen Sie den Inbusschlüssel in das Loch ein, wie in der Abbildung gezeigt, um die Spindel zu arretieren.

► **Abb.25:** 1. Inbusschlüssel 2. Loch

⚠️ VORSICHT: Verwenden Sie immer die mitgelieferten Schraubenschlüssel zum Montieren/Demontieren des Schneidwerkzeugs.

⚠️ VORSICHT: Denken Sie unbedingt daran, den in den Werkzeugkopf eingeführten Inbusschlüssel nach dem Montieren des Schneidwerkzeugs wieder zu entfernen.

Einstellen der Position der Griffstange/des Aufhängers

Stellen Sie die Position der Griffstange und des Aufhängers ein, um eine komfortable Handhabung des Werkzeugs zu erhalten.

Für DUR190U und DUR191U

Stellen Sie die Position der Griffstange/des Aufhängers so ein, dass das Werkzeug in den Bereich kommt, wie unten gezeigt.

► **Abb.26**

1	Position des Aufhängers über dem Boden
2	Position des Schneidwerkzeugs über dem Boden
3	Horizontaler Abstand zwischen dem Aufhänger und dem ungeschützten Teil des Schneidwerkzeugs

Lösen Sie die Innensechskantschrauben an der Unterseite des Griffstangenhalters. Bewegen Sie die Griffstange auf eine komfortable Arbeitsposition, und ziehen Sie dann die Schrauben fest.

► **Abb.27:** 1. Griffstangenhalter 2. Innensechskantschraube 3. Griffstange

Lösen Sie die Innensechskantschrauben am Aufhänger. Bewegen Sie den Aufhänger auf eine komfortable Arbeitsposition, und ziehen Sie dann die Schrauben fest.

► **Abb.28:** 1. Innensechskantschraube 2. Aufhänger

Für DUR190L und DUR191L

Lösen Sie die Innensechskantschrauben an der Griffstange. Bewegen Sie die Griffstange auf eine komfortable Arbeitsposition, und ziehen Sie dann die Schrauben fest.

► **Abb.29:** 1. Innensechskantschraube 2. Griffstange

Lösen Sie die Innensechskantschraube am Aufhänger. Bewegen Sie den Aufhänger auf eine komfortable Arbeitsposition, und ziehen Sie dann die Schraube fest.

► **Abb.30:** 1. Innensechskantschraube 2. Aufhänger

Aufbewahrung des Inbusschlüssels

Der Inbusschlüssel kann an der in der Abbildung gezeigten Stelle aufbewahrt werden, damit er nicht verloren geht.

► **Abb.31:** 1. Inbusschlüssel

Nur für DUR190L und DUR191L

► **Abb.32:** 1. Griffstange 2. Inbusschlüssel

BETRIEB

Anbringen des Schultergurts

⚠ VORSICHT: Benutzen Sie immer den am Werkzeug angebrachten Schultergurt. Stellen Sie den Schultergurt vor der Arbeit auf die Benutzergröße ein, um Ermüdung zu verhüten.

⚠ VORSICHT: Vergewissern Sie sich vor dem Betrieb, dass der Schultergurt einwandfrei am Aufhänger des Werkzeugs angebracht ist.

Hängen Sie den Haken des Schultergurts in den Aufhänger ein, und legen Sie den Schultergurt an. Vergewissern Sie sich, dass das Werkzeug vom Schultergurt sicher gehalten wird.

DUR190U und DUR191U

► **Abb.33:** 1. Haken 2. Aufhänger

DUR190L und DUR191L

► **Abb.34:** 1. Haken 2. Aufhänger

Abnehmen

Der Schultergurt besitzt eine Schnellentriegelung.

DUR190U und DUR191U

► **Abb.35:** 1. Streifen

Ziehen Sie den Streifen heraus, um das Werkzeug vom Schultergurt zu lösen.

DUR190L und DUR191L

► **Abb.36:** 1. Schnalle

Drücken Sie einfach die Seiten der Schnalle zusammen, um das Werkzeug vom Schultergurt zu lösen.

Korrekte Handhabung des Werkzeugs

⚠ WARNUNG: Halten Sie das Werkzeug immer auf Ihrer rechten Seite. Korrekte Haltung des Werkzeugs gewährleistet maximale Kontrolle und verringert die Gefahr von durch Rückstoß verursachten schweren Personenschäden.

⚠ WARNUNG: Lassen Sie äußerste Sorgfalt walten, um immer die Kontrolle über das Werkzeug zu behalten. Achten Sie darauf, dass das Werkzeug nicht zu Ihnen oder einer anderen Person im Arbeitsbereich abgelenkt wird. Verlust der Kontrolle über das Werkzeug kann zu schweren Verletzungen von Umstehenden und Bediener führen.

⚠ WARNUNG: Um einen Unfall zu vermeiden, halten Sie einen Abstand von mehr als 15 m zwischen Arbeitern ein, wenn zwei oder mehr Arbeiter im selben Bereich arbeiten. Beauftragen Sie außerdem eine Person, den Abstand zwischen den Arbeitern zu beobachten. Falls eine Person oder ein Tier in den Arbeitsbereich eintritt, brechen Sie sofort die Arbeit ab.

⚠ VORSICHT: Falls das Schneidwerkzeug während des Betriebs versehentlich gegen einen Stein oder ein hartes Objekt stößt, halten Sie das Werkzeug an, und überprüfen Sie es auf etwaige Beschädigung. Falls das Schneidwerkzeug beschädigt wird, ist es sofort auszuwechseln. Die Verwendung eines beschädigten Schneidwerkzeugs kann zu schweren Personenschäden führen.

⚠ VORSICHT: Entfernen Sie die Schneidblattabdeckung beim Schneiden von Gras vom Schneidblatt.

Korrekte Positionierung und Handhabung ermöglichen optimale Kontrolle und verringern die durch Rückschlag verursachte Verletzungsgefahr.

DUR190U und DUR191U

► **Abb.37**

DUR190L und DUR191L

► **Abb.38**

Bei Verwendung eines Nylonfadenskopfes (Stoßvorschub-Ausführung)

Der Nylonfadenskopf ist ein doppelter Fadentrimmerkopf mit Stoßvorschub-Mechanismus.

Um den Nylonfaden auszuführen, klopfen Sie den Schneidkopf gegen den Boden auf, während er sich dreht.

► **Abb.39:** 1. Effektivster Schneidbereich

ANMERKUNG: Der Stoßvorschub funktioniert nicht richtig, wenn sich der Nylonfadenskopf nicht dreht.

HINWEIS: Wird der Nylonfaden nicht durch Anklopfen des Kopfes ausgezogen, wickeln Sie den Nylonfaden auf, oder ersetzen Sie ihn nach dem im Abschnitt für die Wartung beschriebenen Verfahren.

WARTUNG

⚠️ WARNUNG: Vergewissern Sie sich vor der Durchführung von Inspektions- oder Wartungsarbeiten am Werkzeug stets, dass das Werkzeug ausgeschaltet und der Akku abgenommen ist. Werden Ausschalten des Werkzeugs und Abnehmen des Akkus unterlassen, kann es zu schweren Personenschäden durch versehentliches Anlaufen kommen.

ANMERKUNG: Verwenden Sie auf keinen Fall Benzin, Waschbenzin, Verdünnern, Alkohol oder dergleichen. Solche Mittel können Verfärbung, Verformung oder Rissbildung verursachen.

Um die SICHERHEIT und ZUVERLÄSSIGKEIT dieses Produkts zu gewährleisten, sollten Reparaturen und andere Wartungs- oder Einstellarbeiten nur von Makita-Vertragswerkstätten oder Makita-Kundendienstzentren unter ausschließlicher Verwendung von Makita-Originalersatzteilen ausgeführt werden.

Auswechseln des Nylonfadens

⚠️ WARNUNG: Verwenden Sie nur Nylonfaden mit dem in dieser Betriebsanleitung angegebenen Durchmesser. Verwenden Sie keinesfalls eine schwerere Schnur, einen Metalldraht, ein Seil oder dergleichen. Anderenfalls kann es zu einer Beschädigung des Werkzeugs mit daraus resultierenden schweren Personenschäden kommen.

⚠️ WARNUNG: Nehmen Sie immer den Nylonfadenkopf vom Werkzeug ab, wenn Sie den Nylonfaden austauschen.

⚠️ WARNUNG: Vergewissern Sie sich, dass die Abdeckung des Nylonfadenkopfes ordnungsgemäß am Gehäuse gesichert ist, wie in dieser Betriebsanleitung beschrieben. Bei unsachgemäß gesicherter Abdeckung kann der Nylonfadenkopf auseinander fliegen und schwere Personenschäden verursachen.

Ersetzen Sie den Nylonfaden, falls er nicht mehr vorgeschoben wird. Das Austauschverfahren des Nylonfadens hängt von dem Typ des Nylonfadenkopfes ab.

95-M10L

► Abb.40

Austauschen des Kunststoffmessers

Tauschen Sie das Kunststoffmesser aus, wenn es abgenutzt oder beschädigt ist.

► Abb.41

Wenn Sie das Kunststoffmesser montieren, richten Sie den Pfeil auf dem Messer auf den der Schutzhaube aus.

► **Abb.42:** 1. Pfeil auf der Schutzhaube 2. Pfeil auf dem Messer

FEHLERSUCHE

Bevor Sie den Reparaturdienst anrufen, führen Sie zunächst Ihre eigene Inspektion durch. Falls Sie ein Problem finden, das nicht in der Anleitung erläutert wird, versuchen Sie nicht, das Werkzeug zu zerlegen. Wenden Sie sich stattdessen an autorisierte Makita-Kundendienstzentren, und achten Sie darauf, dass stets Makita-Ersatzteile für Reparaturen verwendet werden.

Zustand der Unregelmäßigkeit	Wahrscheinliche Ursache (Funktionsstörung)	Abhilfemaßnahme
Der Motor läuft nicht.	Der Akku ist nicht eingesetzt.	Den Akku einsetzen.
	Akkustörung (Unterspannung)	Den Akku aufladen. Falls Laden nichts nützt, den Akku austauschen.
	Das Antriebssystem funktioniert nicht korrekt.	Wenden Sie sich bezüglich einer Reparatur an Ihr autorisiertes Kundendienstzentrum.
Der Motor bleibt nach kurzer Zeit stehen.	Der Ladestand des Akkus ist niedrig.	Den Akku aufladen. Falls Laden nichts nützt, den Akku austauschen.
	Überhitzung.	Brechen Sie die Benutzung des Werkzeugs ab, um es abkühlen zu lassen.
Die Maximaldrehzahl wird nicht erreicht.	Der Akku ist falsch eingesetzt.	Setzen Sie den Akku gemäß der Beschreibung in dieser Anleitung ein.
	Die Akkuleistung lässt nach.	Den Akku aufladen. Falls Laden nichts nützt, den Akku austauschen.
	Das Antriebssystem funktioniert nicht korrekt.	Wenden Sie sich bezüglich einer Reparatur an Ihr autorisiertes Kundendienstzentrum.
Das Schneidwerkzeug dreht sich nicht: ⇒ Die Maschine unverzüglich stoppen!	Ein Fremdkörper, wie z. B. ein Ast, klemmt zwischen Schutzhaube und Schneidwerkzeug.	Entfernen Sie den Fremdkörper.
	Das Antriebssystem funktioniert nicht korrekt.	Wenden Sie sich bezüglich einer Reparatur an Ihr autorisiertes Kundendienstzentrum.
Ungewöhnliche Vibration: ⇒ Die Maschine unverzüglich stoppen!	Ein Ende des Nylonfadens ist beschädigt.	Klopfen Sie den Nylonfadenkopf auf den Boden auf, während er sich dreht, um Ausziehen des Fadens zu bewirken.
	Das Antriebssystem funktioniert nicht korrekt.	Wenden Sie sich bezüglich einer Reparatur an Ihr autorisiertes Kundendienstzentrum.
Schneidwerkzeug und Motor bleiben nicht stehen: ⇒ Den Akku unverzüglich entfernen!	Funktionsstörung der Elektrik oder Elektronik.	Entfernen Sie den Akku, und wenden Sie sich bezüglich einer Reparatur an Ihr autorisiertes Kundendienstzentrum.

SONDERZUBEHÖR

⚠ WARNUNG: Verwenden Sie nur die in dieser Anleitung angegebenen empfohlenen Zubehöerteile oder Vorrichtungen. Der Gebrauch anderer Zubehöerteile oder Vorrichtungen kann zu ernsthaften Personenschäden führen.

⚠ VORSICHT: Die folgenden Zubehöerteile oder Vorrichtungen werden für den Einsatz mit dem in dieser Anleitung beschriebenen Makita-Werkzeug empfohlen. Die Verwendung anderer Zubehöerteile oder Vorrichtungen kann eine Verletzungsgefahr darstellen. Verwenden Sie Zubehöerteile oder Vorrichtungen nur für ihren vorgesehenen Zweck.

Wenn Sie weitere Einzelheiten bezüglich dieser Zubehöerteile benötigen, wenden Sie sich bitte an Ihre Makita-Kundendienststelle.

- Schneidblatt
- Nylonfadenkopf
- Nylonfaden (Schneidfaden)
- Kunststoffmesser
- Original-Makita-Akku und -Ladegerät

HINWEIS: Manche Teile in der Liste können als Standardzubehör im Werkzeugsatz enthalten sein. Sie können von Land zu Land unterschiedlich sein.

Makita Europe N.V. Jan-Baptist Vinkstraat 2,
3070 Kortenberg, Belgium

Makita Corporation 3-11-8, Sumiyoshi-cho,
Anjo, Aichi 446-8502 Japan

www.makita.com

885790-977
EN, PL, HU, SK,
CS, UK, RO, DE
20191210