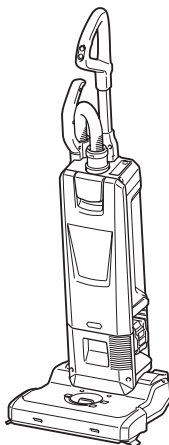




EN	Cordless Upright Cleaner	INSTRUCTION MANUAL	11
PL	Odkurzacz Akumulatorowy	INSTRUKCJA OBSŁUGI	23
HU	Akkumulátoros állóperszívó	HASZNÁLATI KÉZIKÖNYV	36
SK	Akumulátorový vertikálny vysávač	NÁVOD NA OBSLUHU	48
CS	Akumulátorový tyčový vysavač	NÁVOD K OBSLUZE	60
UK	Акумуляторний вертикальний пилосос	ІНСТРУКЦІЯ З ЕКСПЛУАТАЦІЇ	72
RO	Aspirator vertical fără cablu	MANUAL DE INSTRUCȚIUNI	86
DE	Akku-Standstaubsauger	BETRIEBSANLEITUNG	99

VC010G



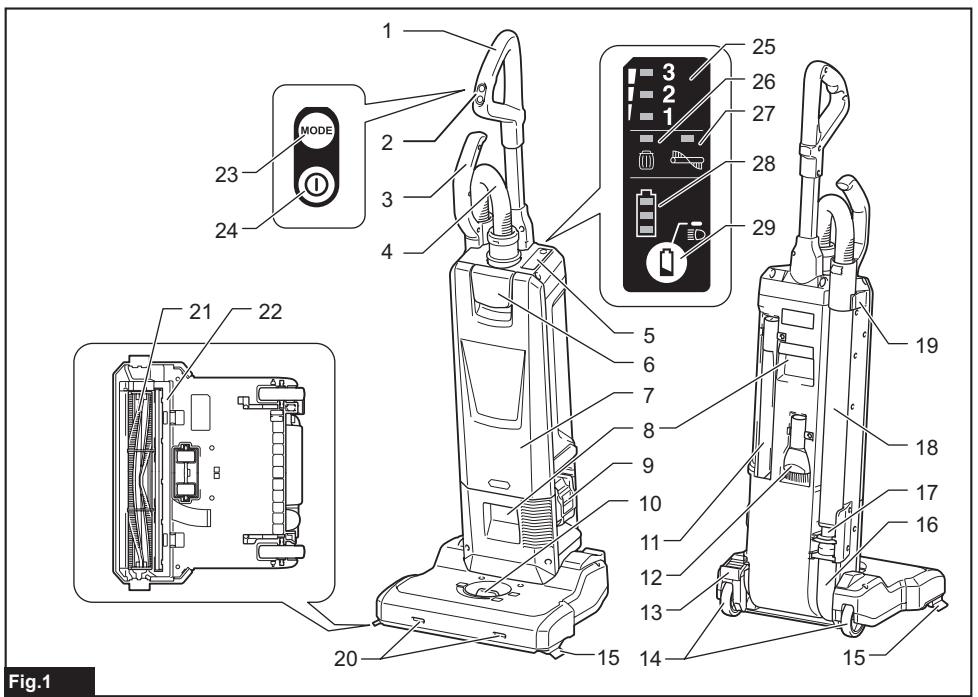


Fig.1

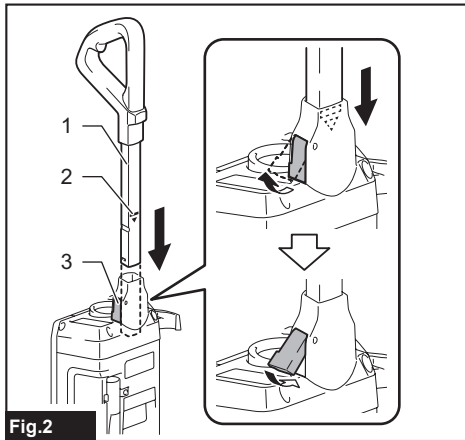


Fig.2

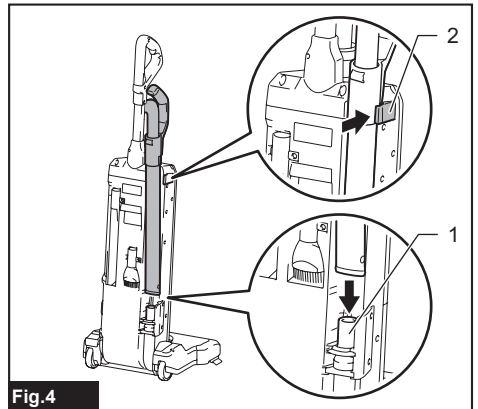


Fig.4

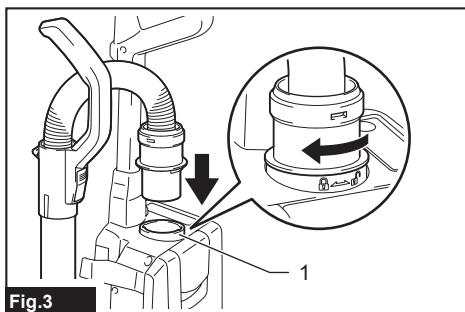


Fig.3

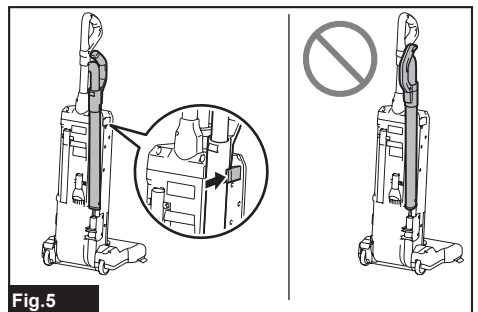


Fig.5

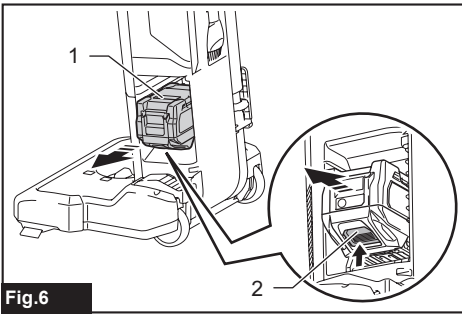


Fig.6

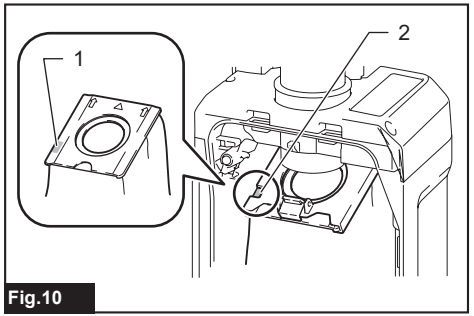


Fig.10

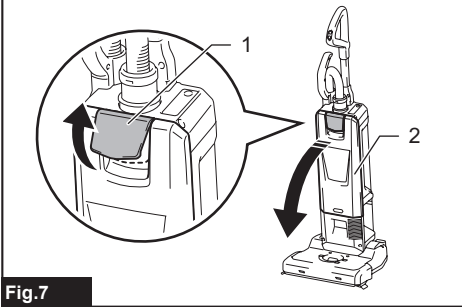


Fig.7

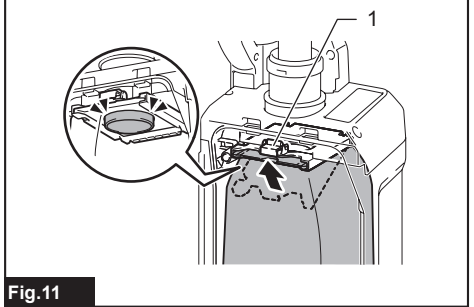


Fig.11

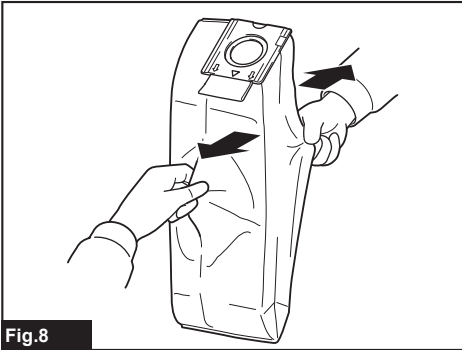


Fig.8

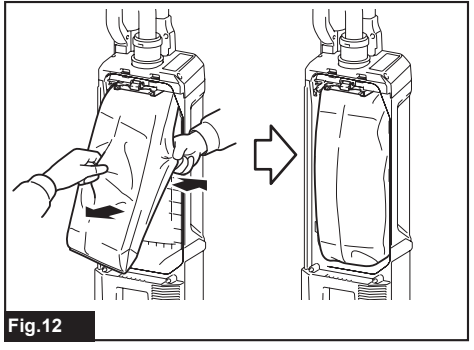


Fig.12

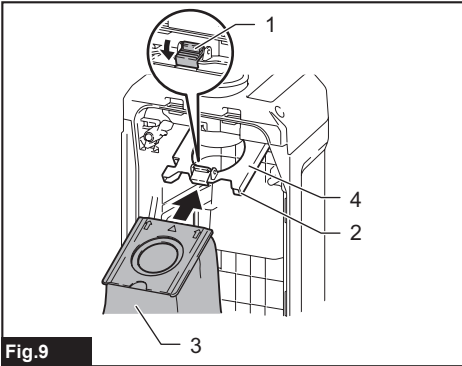


Fig.9

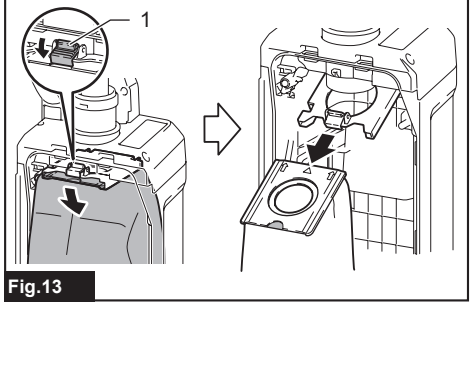


Fig.13

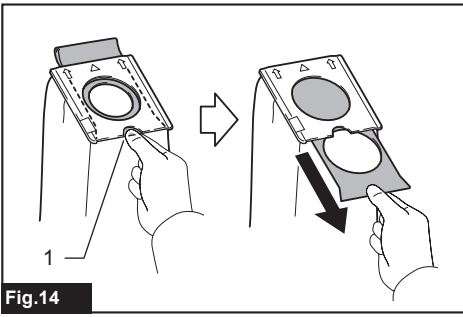


Fig.14

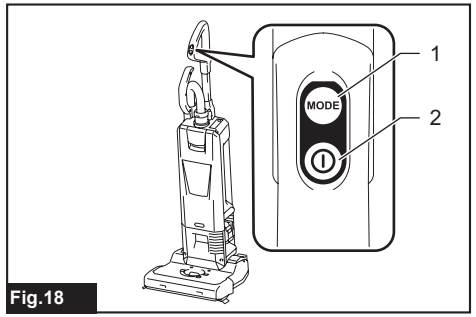


Fig.18

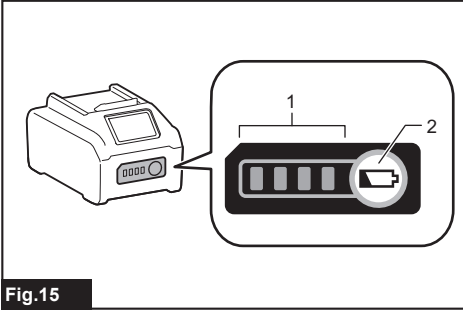


Fig.15

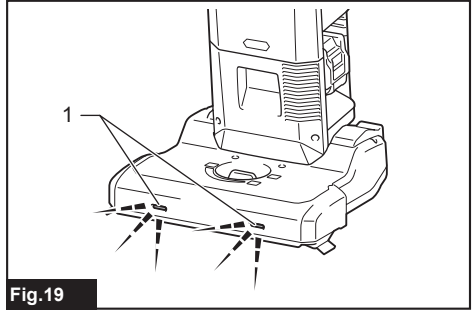


Fig.19

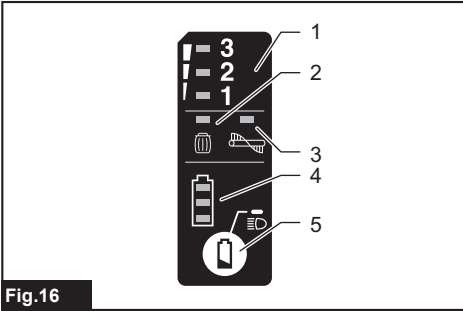


Fig.16

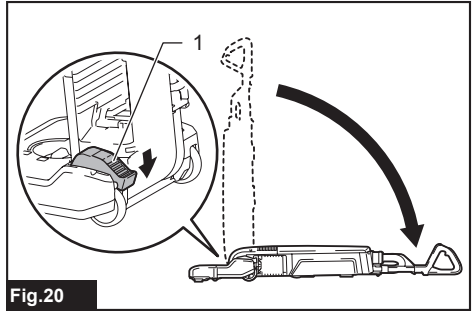


Fig.20

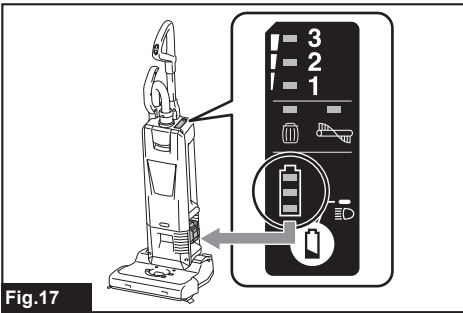


Fig.17

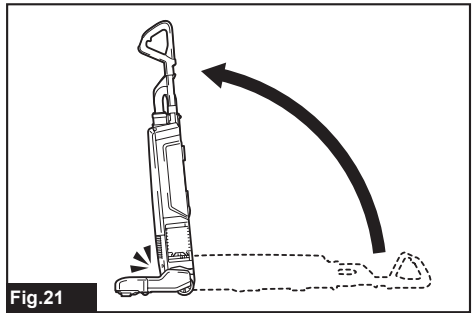


Fig.21

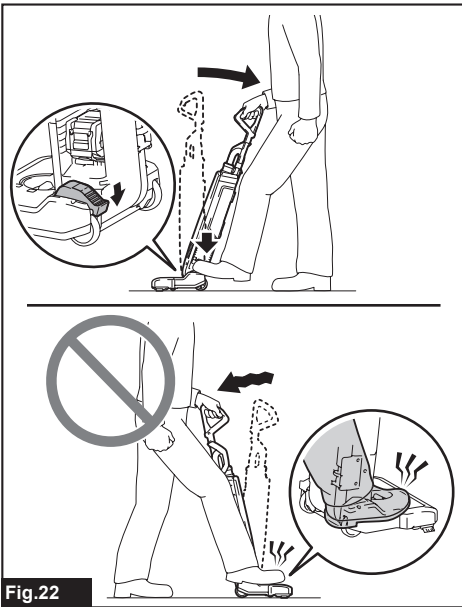


Fig.22

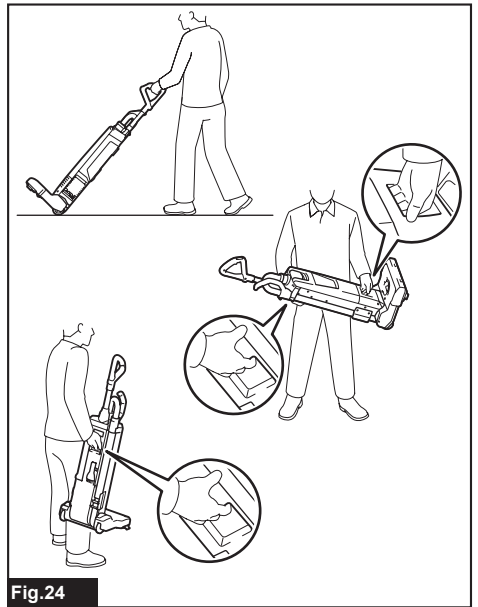


Fig.24

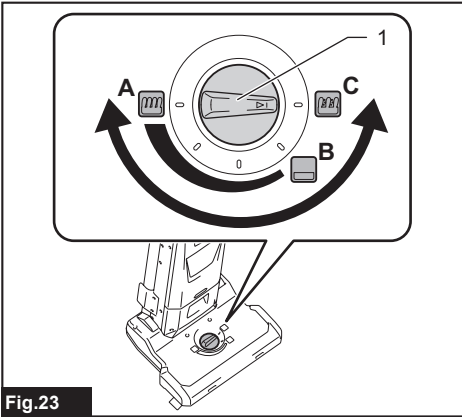


Fig.23

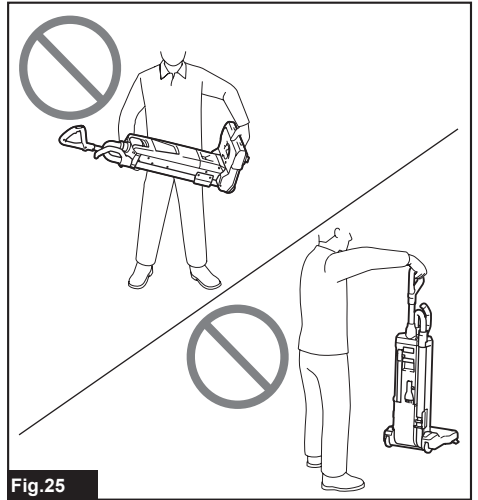


Fig.25

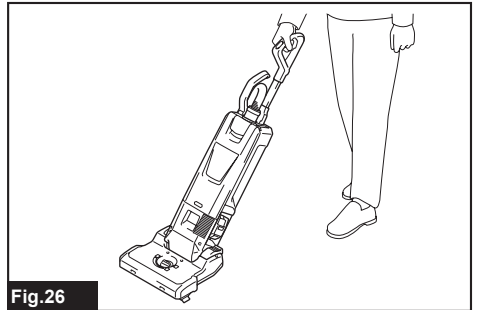


Fig.26

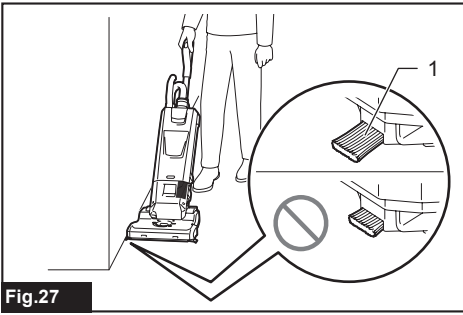


Fig.27

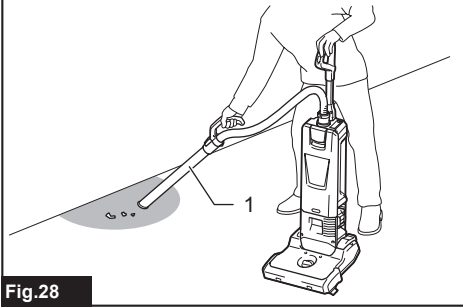


Fig.28

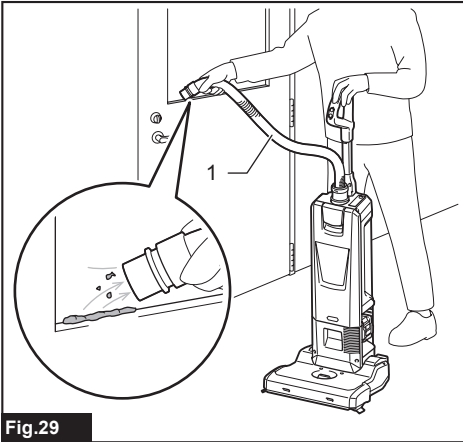


Fig.29

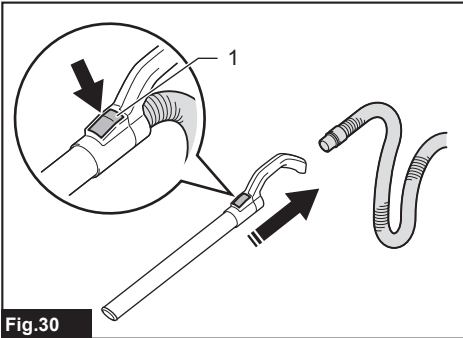


Fig.30

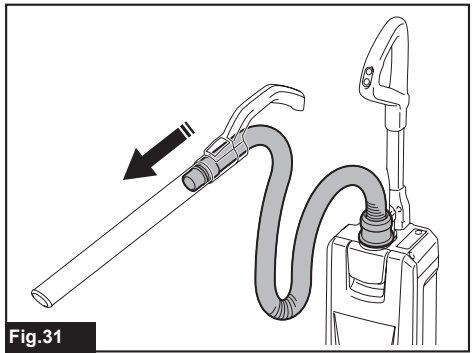


Fig.31

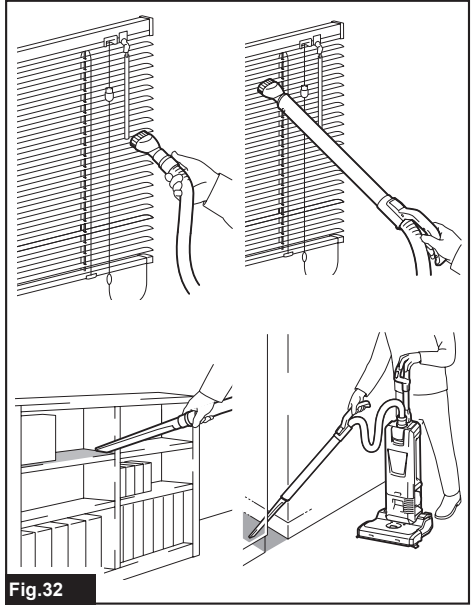


Fig.32

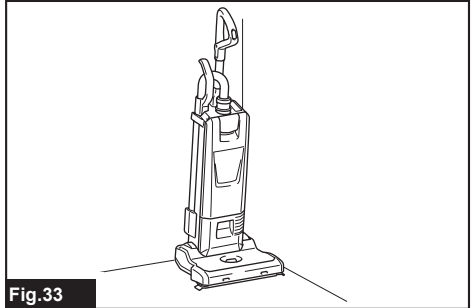


Fig.33

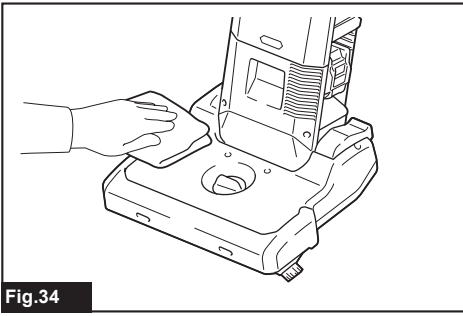


Fig.34

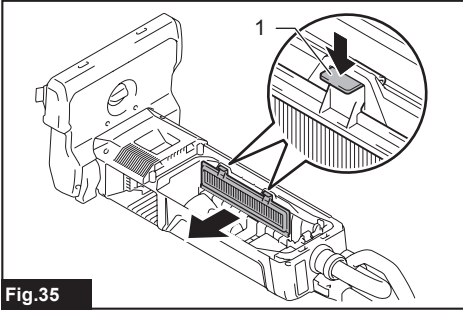


Fig.35

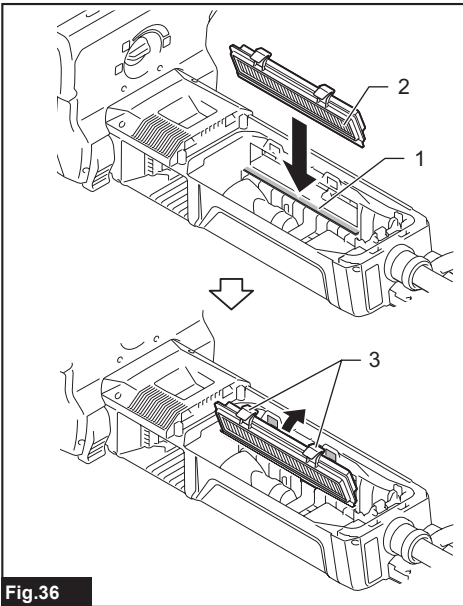


Fig.36

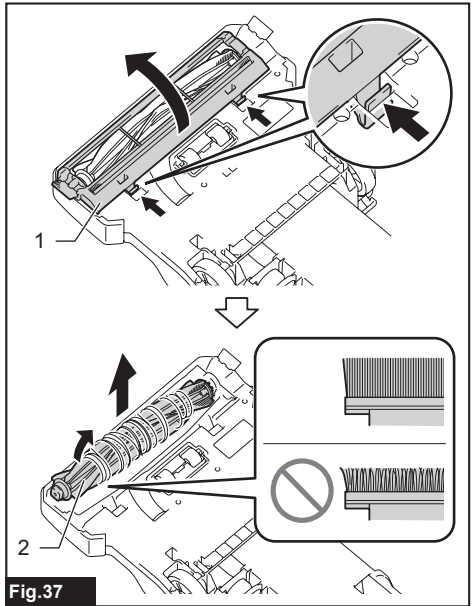


Fig.37

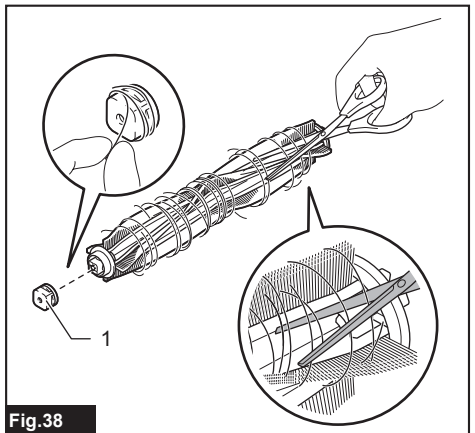


Fig.38

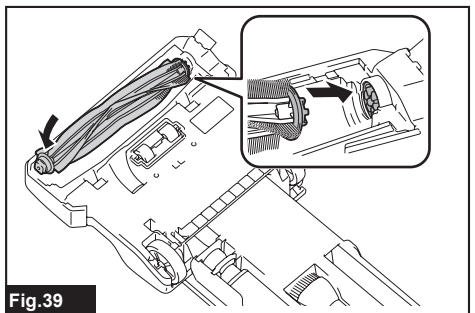


Fig.39

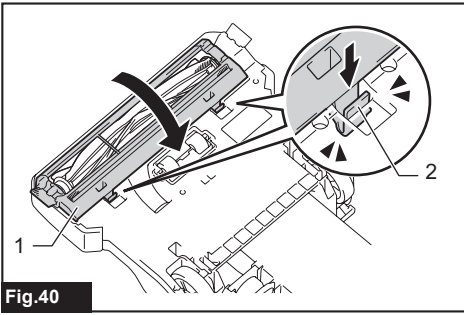


Fig.40

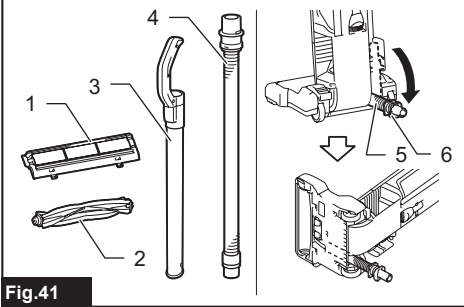


Fig.41

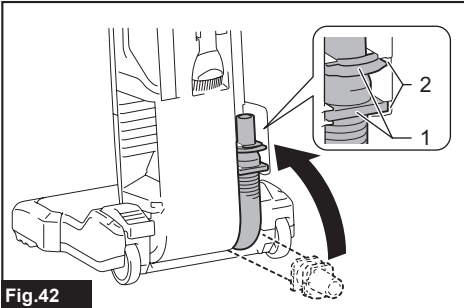


Fig.42

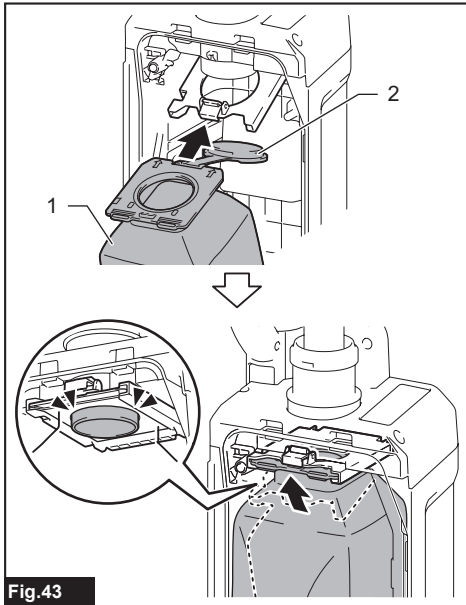


Fig.43

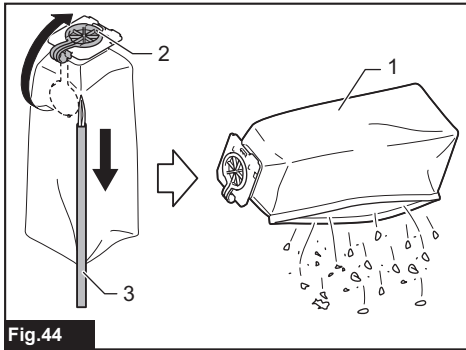


Fig.44

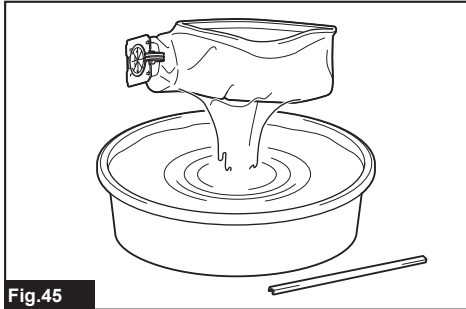
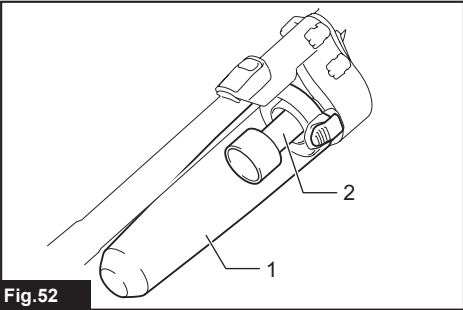
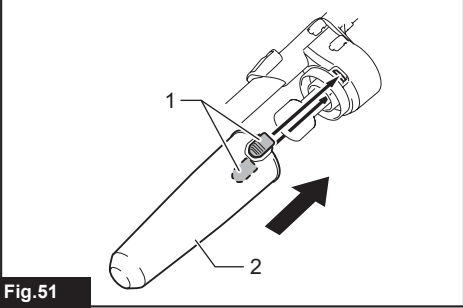
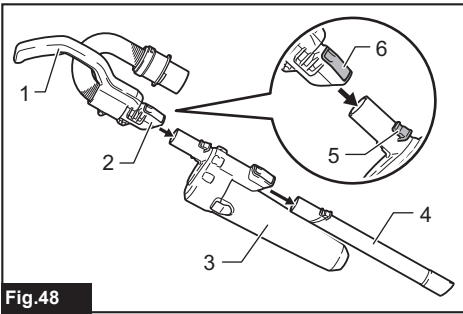
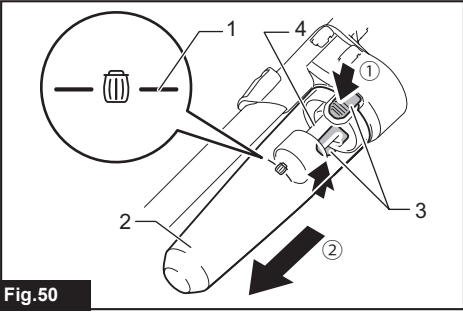
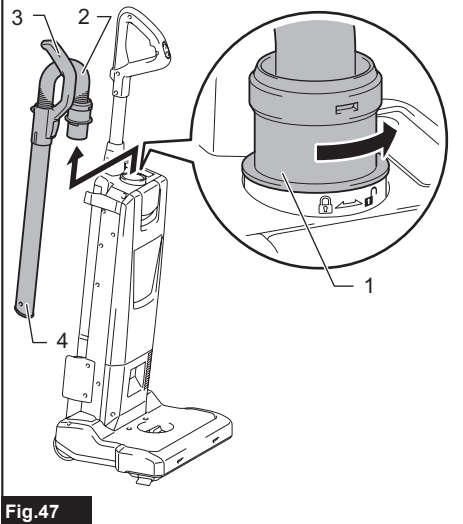
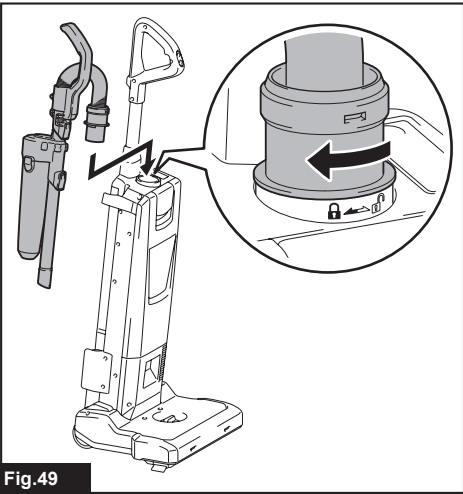
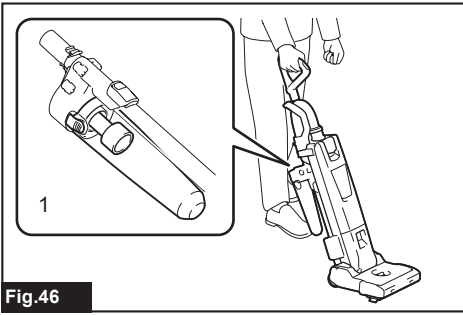


Fig.45



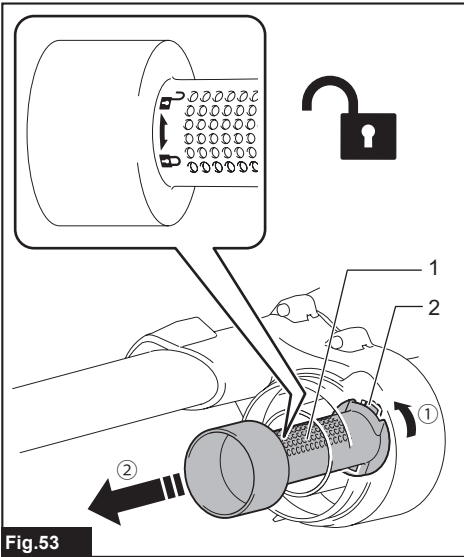


Fig.53

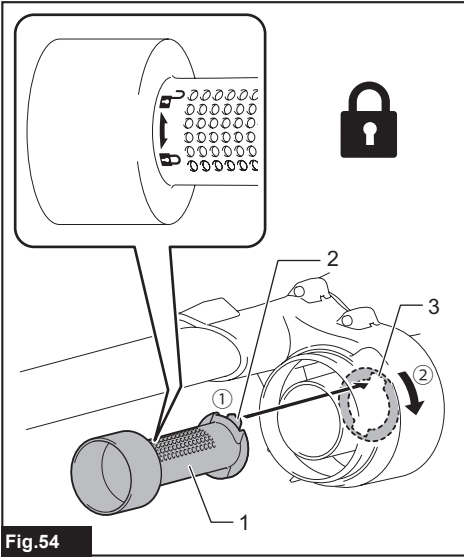


Fig.54

WARNING

- For users in Europe: This appliance can be used by children aged from 8 years and above and persons with reduced physical, sensory or mental capabilities or lack of experience and knowledge if they have been given supervision or instruction concerning use of the appliance in a safe way and understand the hazards involved. Children shall not play with the appliance. Cleaning and user maintenance shall not be made by children without supervision.
- For users in areas other than Europe: This appliance is not intended for use by persons (including children) with reduced physical, sensory or mental capabilities, or lack of experience and knowledge, unless they have been given supervision or instruction concerning use of the appliance by a person responsible for your safety.
- Children must be supervised to ensure that they do not play with the appliance.
- **CAUTION:** Before carrying out any maintenance operation, disconnect the appliance from the power supply. Perform maintenance on the appliance periodically.
- Rechargeable batteries must be removed from the device before charging.
- To remove or install the battery, slide the cartridge out of the tool while pressing the button on the front of the cartridge.
- Exhausted batteries must be removed from the device and disposed of safely. Follow local regulations regarding battery disposal.
- If the device is to be stored unused for a long period, the batteries should be removed.
- The power terminals must not be short-circuited.

Applicable battery cartridge and charger

Battery cartridge	BL4020 / BL4025 / BL4040 / BL4040F / BL4050F / BL4080F
Charger	DC40RA / DC40RB / DC40RC

- Some of the battery cartridges and chargers listed above may not be available depending on your region of residence.

⚠WARNING: Only use the battery cartridges and chargers listed above. Use of any other battery cartridges and chargers may cause injury and/or fire.

SPECIFICATIONS

Model:	VC010G
Maximum air volume ^{**1}	1.8 m ³ /min
Vacuum ^{**1}	15 kPa
Capacity	5 L
Dimensions (L x W x H)	326 mm x 381 mm x 1,146 mm
Rated voltage	D.C. 36 V - 40 V max
Net weight	8.0 - 9.2 kg

^{**1} The value is measured by our original method.

- Due to our continuing program of research and development, the specifications herein are subject to change without notice.
- Specifications may differ from country to country.
- The weight includes accessories (round brush, corner nozzle) and battery cartridge(s). The lightest and heaviest combination weight of the appliance and battery cartridge(s) are shown in the table.

Symbols

The followings show the symbols which may be used for the equipment. Be sure that you understand their meaning before use.



Read instruction manual.



Take particular care and attention.



A representative battery applicable to this product.



Only for EU countries
Due to the presence of hazardous components in the equipment, waste electrical and electronic equipment, accumulators and batteries may have a negative impact on the environment and human health. Do not dispose of electrical and electronic appliances or batteries with household waste!
In accordance with the European Directive on waste electrical and electronic equipment and on accumulators and batteries and waste accumulators and batteries, as well as their adaptation to national law, waste electrical equipment, batteries and accumulators should be stored separately and delivered to a separate collection point for municipal waste, operating in accordance with the regulations on environmental protection.
This is indicated by the symbol of the crossed-out wheeled bin placed on the equipment.

Intended use

The appliance is intended for collecting dry dust. The appliance is suitable for commercial use, for example in hotels, schools, hospitals, factories, shops, offices and rental businesses.

Noise

The typical A-weighted noise level determined according to IEC60335-2-69:

Sound pressure level (L_{pA}) : 70 dB(A) or less

Uncertainty (K) : 2.5 dB (A)

The noise level under working may exceed 80 dB (A).

NOTE: The declared noise emission value(s) has been measured in accordance with a standard test method and may be used for comparing one tool with another.

NOTE: The declared noise emission value(s) may also be used in a preliminary assessment of exposure.

⚠ WARNING: Wear ear protection.

⚠ WARNING: The noise emission during actual use of the power tool can differ from the declared value(s) depending on the ways in which the tool is used especially what kind of workpiece is processed.

⚠ WARNING: Be sure to identify safety measures to protect the operator that are based on an estimation of exposure in the actual conditions of use (taking account of all parts of the operating cycle such as the times when the tool is switched off and when it is running idle in addition to the trigger time).

Vibration

The vibration total value (tri-axial vector sum) determined according to IEC60335-2-69:
Vibration emission ($a_{h,M}$) : 2.5 m/s^2 or less
Uncertainty (K) : 1.5 m/s^2

NOTE: The declared vibration total value(s) has been measured in accordance with a standard test method and may be used for comparing one tool with another.

NOTE: The declared vibration total value(s) may also be used in a preliminary assessment of exposure.

⚠ WARNING: The vibration emission during actual use of the power tool can differ from the declared value(s) depending on the ways in which the tool is used especially what kind of workpiece is processed.

⚠ WARNING: Be sure to identify safety measures to protect the operator that are based on an estimation of exposure in the actual conditions of use (taking account of all parts of the operating cycle such as the times when the tool is switched off and when it is running idle in addition to the trigger time).

Declarations of Conformity

For European countries only

The Declarations of conformity are included in Annex A to this instruction manual.

SAFETY WARNINGS

Cordless vacuum cleaner safety warnings

⚠ WARNING: IMPORTANT! READ CAREFULLY all safety warnings and all instructions BEFORE USE. Failure to follow the warnings and instructions may result in electric shock, fire and/or serious injury.

1. Before use, make sure that this cleaner must be used by people who have been adequately instructed on the use of this cleaner.

2. Do not use without filter bag and/or filters in place. Replace a damaged filter immediately.
3. AVOID UNINTENTIONAL STARTING. Be sure switch is OFF when installing battery(ies).
4. Do not attempt to pick up flammable materials, fireworks, lighted cigarettes, hot ashes, hot metal chips, sharp materials such as razors, needles, broken glass or the like.
5. NEVER USE THE CLEANER IN THE VICINITY OF GASOLINE, GAS, PAINT, ADHESIVES OR OTHER HIGHLY EXPLOSIVE SUBSTANCES. The switch emits sparks when turned ON and OFF. And so does the motor commutator during operation. A dangerous explosion may result.
6. This cleaner is not suitable for picking up hazardous dust.
7. Never vacuum up toxic, carcinogenic, combustible or other hazardous materials such as asbestos, arsenic, barium, beryllium, lead, pesticides, or other health endangering materials.
8. Do not vacuum foam like carpet cleaning agent, etc. It may cause explosion or fire.
9. Do not use outdoors or on wet surfaces.
10. For Finland, this machine is not to be used outdoors at low temperature.
11. Do not use the appliance close to heat sources (stoves, etc.).
12. Do not block suction inlet/outlet/cooling vents. These vents permit cooling of the motor. Blockage should be carefully avoided otherwise the motor will burn out due to a lack of ventilation.
13. Do not fold, tug or step on the hose.
14. Stop the cleaner immediately if you notice poor performance or anything abnormal during operation.
15. REMOVE THE BATTERY(IES). When not in use, before servicing, and when changing accessories.
16. Clean and service the cleaner immediately after each use to keep it in optimum operating condition.
17. MAINTAIN THE CLEANER WITH CARE. Keep the cleaner clean for better and safer performance. Follow instructions for changing accessories. Keep handles dry, clean, and free from oil and grease.
18. CHECK DAMAGED PARTS. Before further use of the cleaner, a guard or other part that is damaged should be carefully checked to determine that it will operate properly and perform its intended function. Check for alignment of moving parts, binding of moving parts, breakage of parts, mounting, and any other conditions that may affect its operation. A guard or other part that is damaged should be properly repaired or replaced by an authorized service center unless otherwise indicated elsewhere in this instruction manual. Have defective switches replaced by authorized service center. Don't use the cleaner if switch does not turn it on and off.
19. REPLACEMENT PARTS. When servicing, use only identical replacement parts.
20. When not in use, always store the cleaner indoors.
21. Be kind to your cleaner. Rough handling can cause breakage of even the most sturdily built cleaner.
22. Do not attempt to clean the exterior or interior with benzine, thinner or cleaning chemicals. Cracks and discoloration may be caused.
23. Do not use cleaner in an enclosed space where flammable, explosive or toxic vapors are given off by oil-based paint, paint-thinner, gasoline, some mothproofing substances, etc., or in areas where flammable dust is present.
24. Do not operate the cleaner or any tool while under the influence of drugs or alcohol.
25. Wear appropriate protective equipment such as a mask depending on the usage environment.
26. This machine is not intended for use by persons including children with reduced physical, sensory or mental capabilities, or lack of experience and knowledge.
27. Children should be supervised to ensure that they do not play with the cleaner.
28. Never handle battery(ies) and cleaner with wet hands.
29. Use extreme caution when cleaning on stairs.
30. Do not use the cleaner on unstable or tilted locations to avoid it falling off resulting in injury or damage.
31. Keep proper footing and balance at all times.
32. Do not use the cleaner as a stool or work bench. The machine may fall down and may result in personal injury.
33. Keep all parts of your body and clothing away from the openings and moving part like the rotating brushroll. Otherwise they may be caught in the appliance and cause injury.

Battery tool use and care

1. Recharge only with the charger specified by the manufacturer. A charger that is suitable for one type of battery pack may create a risk of fire when used with another battery pack.
2. Use power tools only with specifically designated battery packs. Use of any other battery packs may create a risk of injury and fire.
3. When battery pack is not in use, keep it away from other metal objects, like paper clips, coins, keys, nails, screws or other small metal objects, that can make a connection from one terminal to another. Shorting the battery terminals together may cause burns or a fire.
4. Under abusive conditions, liquid may be ejected from the battery; avoid contact. If contact accidentally occurs, flush with water. If liquid contacts eyes, additionally seek medical help. Liquid ejected from the battery may cause irritation or burns.
5. Do not use a battery pack or tool that is damaged or modified. Damaged or modified batteries may exhibit unpredictable behaviour resulting in fire, explosion or risk of injury.

6. **Do not expose a battery pack or tool to fire or excessive temperature.** Exposure to fire or temperature above 130 °C may cause explosion.
7. **Follow all charging instructions and do not charge the battery pack or tool outside the temperature range specified in the instructions.** Charging improperly or at temperatures outside the specified range may damage the battery and increase the risk of fire.

SAVE THESE INSTRUCTIONS.

⚠WARNING: DO NOT let comfort or familiarity with product (gained from repeated use) replace strict adherence to safety rules for the subject product. MISUSE or failure to follow the safety rules stated in this instruction manual may cause serious personal injury.

Important safety instructions for battery cartridge

1. **Before using battery cartridge, read all instructions and cautionary markings on (1) battery charger, (2) battery, and (3) product using battery.**
2. **Do not disassemble or tamper with the battery cartridge.** It may result in a fire, excessive heat, or explosion.
3. **If operating time has become excessively shorter, stop operating immediately.** It may result in a risk of overheating, possible burns and even an explosion.
4. **If electrolyte gets into your eyes, rinse them out with clear water and seek medical attention right away.** It may result in loss of your eyesight.
5. **Do not short the battery cartridge:**
 - (1) **Do not touch the terminals with any conductive material.**
 - (2) **Avoid storing battery cartridge in a container with other metal objects such as nails, coins, etc.**
 - (3) **Do not expose battery cartridge to water or rain.**

A battery short can cause a large current flow, overheating, possible burns and even a breakdown.

6. **Do not store and use the tool and battery cartridge in locations where the temperature may reach or exceed 50 °C (122 °F).**
7. **Do not incinerate the battery cartridge even if it is severely damaged or is completely worn out.** The battery cartridge can explode in a fire.
8. **Do not nail, cut, crush, throw, drop the battery cartridge, or hit against a hard object to the battery cartridge.** Such conduct may result in a fire, excessive heat, or explosion.
9. **Do not use a damaged battery.**
10. **The contained lithium-ion batteries are subject to the Dangerous Goods Legislation requirements.**

For commercial transports e.g. by third parties, forwarding agents, special requirement on packaging and labeling must be observed.

For preparation of the item being shipped, consulting an expert for hazardous material is required. Please also observe possibly more detailed national regulations.

Tape or mask off open contacts and pack up the battery in such a manner that it cannot move around in the packaging.

11. **When disposing the battery cartridge, remove it from the tool and dispose of it in a safe place. Follow your local regulations relating to disposal of battery.**
12. **Use the batteries only with the products specified by Makita.** Installing the batteries to non-compliant products may result in a fire, excessive heat, explosion, or leak of electrolyte.
13. **If the tool is not used for a long period of time, the battery must be removed from the tool.**
14. **During and after use, the battery cartridge may take on heat which can cause burns or low temperature burns. Pay attention to the handling of hot battery cartridges.**
15. **Do not touch the terminal of the tool immediately after use as it may get hot enough to cause burns.**
16. **Do not allow chips, dust, or soil stuck into the terminals, holes, and grooves of the battery cartridge.** It may cause heating, catching fire, burst and malfunction of the tool or battery cartridge, resulting in burns or personal injury.
17. **Unless the tool supports the use near high-voltage electrical power lines, do not use the battery cartridge near high-voltage electrical power lines.** It may result in a malfunction or breakdown of the tool or battery cartridge.
18. **Keep the battery away from children.**

SAVE THESE INSTRUCTIONS.

⚠CAUTION: Only use genuine Makita batteries. Use of non-genuine Makita batteries, or batteries that have been altered, may result in the battery bursting causing fires, personal injury and damage. It will also void the Makita warranty for the Makita tool and charger.

Tips for maintaining maximum battery life

1. **Charge the battery cartridge before completely discharged. Always stop tool operation and charge the battery cartridge when you notice less tool power.**
2. **Never recharge a fully charged battery cartridge. Overcharging shortens the battery service life.**
3. **Charge the battery cartridge with room temperature at 10 °C - 40 °C (50 °F - 104 °F). Let a hot battery cartridge cool down before charging it.**
4. **When not using the battery cartridge, remove it from the tool or the charger.**
5. **Charge the battery cartridge if you do not use it for a long period (more than six months).**

PARTS DESCRIPTION

► Fig.1

1	Handle	2	Switch plate	3	Pipe grip	4	Hose
5	Indication panel	6	Lever (for the dust box cover)	7	Dust box cover	8	Carrying handle
9	Battery cartridge	10	Adjusting lever	11	Corner nozzle	12	Round brush
13	Foot lever	14	Caster wheel	15	Side brush	16	Suction hose
17	Joint	18	Aluminum pipe	19	Pipe holder	20	Lamp
21	Brushroll	22	Bottom plate	23	Mode change button	24	ON / OFF button
25	Indicator of operating mode	26	Indicator of excess level of dust	27	Indicator of brushroll error	28	Indicator for remaining battery capacity
29	Battery check / lamp button	-	-	-	-	-	-

ASSEMBLY

⚠ CAUTION: Always be sure that the appliance is switched off and the battery cartridge is removed before carrying out any work on the appliance.

⚠ CAUTION: Always wear dust mask during assembly or maintenance.

Handle connecting

1. Insert the handle pole fully to the cleaner body as shown in the figure.
 2. Close the lock latch.
- Fig.2: 1. Handle pole 2. Red marking 3. Lock latch

NOTICE: Insert the handle fully until the red marking cannot be seen.

Hose connecting

Insert the hose into the mounting port of the appliance and turn the hose until it locks.

- Fig.3: 1. Mounting port

Pipe connecting

Insert the tip of the aluminum pipe to the joint, and then attach the aluminum pipe to the pipe holder.

- Fig.4: 1. Joint 2. Pipe holder

NOTICE: Insert the aluminum pipe in correct direction as shown in figure. Otherwise the pipe holder will not be locked and the aluminum pipe may come off.

- Fig.5

Installing or removing battery cartridge

⚠ CAUTION: Always switch off the appliance before installing or removing the battery cartridge.

⚠ CAUTION: Hold the cleaner and the battery cartridge firmly when installing or removing the battery cartridge. Failure to hold the cleaner and the battery cartridge firmly may cause them to slip off your hands and result in damage to the cleaner and battery cartridge and a personal injury.

⚠ CAUTION: Be careful not to pinch your fingers when installing the battery cartridge. Failure to do so may cause personal injury.

⚠ CAUTION: Do not install/remove the battery cartridge with wet hands. There is a risk of electric shock.

Align the tongue on the battery cartridge with the groove in the housing and slip it into place. Insert it all the way until it locks in place with a little click.

- Fig.6: 1. Battery cartridge 2. Button

To remove the battery cartridge, take it out from the appliance while sliding up the button in front of the cartridge.

⚠ CAUTION: Always install the battery cartridge fully. If not, it may accidentally fall out of the appliance, causing injury to you or someone around you.

⚠ CAUTION: Do not install the battery cartridge forcibly. If the cartridge does not slide in easily, it is not being inserted correctly.

Installing the filter bag

CAUTION: Do not use a damaged filter bag. Always use the vacuum cleaner with the filter bag properly installed. Otherwise the vacuumed dust or particles may be exhausted from the cleaner and they may cause respiratory disease to the operator.

Install the filter bag before using cleaner. Filter bag is a throw-away type. Throw away the entire filter bag without emptying when it has become full.

NOTICE: When the filter bag is already full or clogged, replace with new one. Continuous use with the filter bag full or clogged results in reduced suction power.

NOTICE: To prevent dust from getting into the motor:

- Make sure that the filter bag is installed before use.
- Do not use a broken or ripped bag.

Otherwise the motor may be broken.

NOTICE: Do not fold the cardboard at its opening when installing the filter bag.

NOTICE: The filter bag for the cleaner is an important component for maintaining the appliance performance. Using non-genuine filter bag may cause smoke or ignition.

NOTE: When the filter bag is not installed in the appliance, the dust box cover does not close completely.

NOTE: A reusable dust bag is preinstalled in some countries and regions. You can follow the same installation/uninstallation steps as for the filter bag.

1. Unlock the lever and open the dust box cover.
▶ Fig.7: 1. Lever 2. Dust box cover
2. Unfold the filter bag fully.
▶ Fig.8
3. Open the latch and insert the filter bag into the slot on the holder so that the side with the \triangle mark enters first.
▶ Fig.9: 1. Latch 2. Slot 3. Filter bag 4. Holder
▶ Fig.10: 1. Marking 2. Slit

NOTE: Make sure that only the marking on the cardboard can be seen through the slit of the holder.

4. Hook the latch of the holder.
▶ Fig.11: 1. Latch
5. Unfold the filter bag if it is folded.
▶ Fig.12
6. Lock the dust box cover securely.

CAUTION: Be careful not to pinch your fingers when hooking the latch, and when closing the dust box cover.

Removing the filter bag

CAUTION: Handle the filter bag softly. Otherwise foreign objects are blown into eyes, it may result in personal injury.

Replace the filter bag when it becomes full or clogged. Open the dust box cover and open the latch, then take out the filter bag.

▶ Fig.13: 1. Latch

Pull the strip on the side of the opening to shut the filter bag and dispose of the entire filter bag.

▶ Fig.14: 1. Strip

NOTICE: Do not reuse a filter bag. The filter bag is designed for single-use purposes. Using a filter bag repeatedly may cause clogging of the filter and result in damage to the appliance.

FUNCTIONAL DESCRIPTION

CAUTION: Always be sure that the appliance is switched off and the battery cartridge is removed before adjusting or checking function on the appliance.

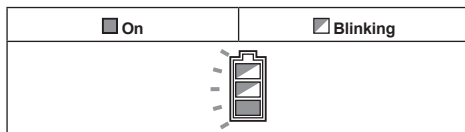
Appliance / battery protection system

The appliance is equipped with an appliance/battery protection system. This system automatically cuts off power to the motor to extend appliance and battery life. The appliance will automatically stop during operation if the appliance or battery is placed under one of the following conditions:

Overload protection

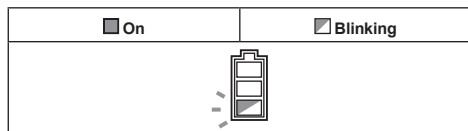
When the appliance is operated in a manner that causes it to draw an abnormally high current, the appliance automatically stops. In this situation, turn the appliance off and stop the application that caused the appliance to become overloaded. Then turn the appliance on to restart.

Overheat protection



When the appliance is overheated, the appliance stops automatically, and the battery indicator blinks about 60 seconds. In this situation, let the appliance cool down before turning the appliance on again.

Overdischarge protection

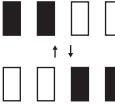
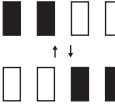


When the battery capacity becomes low, the appliance stops automatically, and the battery indicator blinks about 60 seconds. If the product does not operate even when the switches are operated, remove the battery from the appliance and charge the battery.

Indicating the remaining battery capacity

Press the check button on the battery cartridge to indicate the remaining battery capacity. The indicator lamps light up for a few seconds.

► Fig.15: 1. Indicator lamps 2. Check button

Indicator lamps			Remaining capacity
Lighted	Off	Blinking	
■	□	▣	75% to 100%
■ ■ ■ ■	□ □ □ □	▣	
■ ■ ■	□ □ □ □	▣	
■ ■	□ □ □ □	▣	
■	□ □ □ □	▣	
▣	□ □ □ □	▣	
			Charge the battery.
			The battery may have malfunctioned.

NOTE: Depending on the conditions of use and the ambient temperature, the indication may differ slightly from the actual capacity.

NOTE: The first (far left) indicator lamp will blink when the battery protection system works.

Indication panel

► Fig.16: 1. Operating mode 2. Excess level of dust 3. Brushroll error 4. Remaining battery capacity 5. Battery check / lamp button

Operating mode

To change the operating mode, refer to the section for switch action.

Excess level of dust

If this indicator lights up, replace the filter bag. (Refer the section on removing the filter bag.)

NOTE: This indicator may not work depending on the usage environment.

NOTE: The indicator automatically goes out approximately one minute after the appliance is switched off. If you clear the clogging of the filter bag and restart the appliance, the indicator goes out even within one minute.

Brushroll error

Blinking	The brushroll is under high load for some reasons.
On	The brushroll is stopped by abnormal reason.






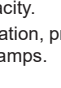
⚠WARNING: Immediately switch off the appliance when this lamp lights up during operation. Otherwise the motor malfunction may occur and a fire may be caused.

NOTE: The lamp may blink if the height of the brushroll is too low against the surface of the carpet. In that case, adjust the height of the brushroll.

Remaining battery capacity

During operation, press the battery check / lamp button to indicate the remaining battery capacity.

► Fig.17

Battery indicator status			Remaining battery capacity
On	Off	Blinking	
■	□	▣	50% to 100%
			
			
			
			20% to 50%
			0% to 20%
			Charge the battery

Battery check / lamp button

The following operations can be performed.

- Simply press the button to check the remaining battery capacity.
- During operation, press and hold the button to turn on / off the lamps.

Switch action

- Fig.18: 1. Mode change button 2. ON / OFF button

Turning the appliance on / off

Press the ON / OFF button to turn the appliance on and off.

CAUTION: Always put the head of the appliance on the floor when turning on the appliance. Otherwise an accident due to entanglement may occur and cause a personal injury.

Changing operating mode

There are the following three operating modes:

1. Low noise level
2. Normal
3. High

To change the operating mode, press the mode change button. The operating mode can be changed even when the appliance is turned off. The appliance will start in the mode you set.

NOTE: The cleaner starts in the same mode as the last operation. If you remove the battery while the motor is running after the shutdown, the cleaner may not start in the same mode as the last operation.

Turning lamp on / off

CAUTION: Do not look in the light or see the source of light directly.

The appliance is equipped with the lamps. See the paragraph of the battery check / lamp button for operation.

- Fig.19: 1. Lamp

Foot lever

CAUTION: Always lock the appliance in upright position when you let go of the handle. Otherwise the appliance may accidentally fall and cause injury.

CAUTION: Be careful not to pinch your fingers between the main body and the head of the appliance.

To unlock the upright position of the appliance, step on the foot lever and pull the handle backward. The range of motion is 90 degrees from the upright position.

- Fig.20: 1. Foot lever

To lock the appliance in upright position, raise up the handle forward until the foot lever locks the position with click.

- Fig.21

CAUTION: Be sure to unlock the foot lever before operating. Rough handling may cause breakage of the parts.




- Fig.22

NOTE: While the appliance is in the upright position, the brushroll stops rotating.

Adjusting the height of the brushroll

CAUTION: Always make sure that the adjusting lever comes into the position properly before operation.

The height of the brushroll can be adjusted in 5 steps. Turn the adjusting lever to your desired position by referring to the following table.

Adjusting lever position	Brushroll height
A 	The brushroll stays positioned to the top from the floor, which is suitable for cleaning long-haired carpets.
B 	The brushroll is positioned lower to the floor, which is suitable for cleaning hard floors and short-haired carpets.
C 	The brushroll extends to be positioned down to the floor, which is effective for deep cleaning carpets and removing dirt, dust and particles embedded deep in the fibers.

- Fig.23: 1. Adjusting lever

NOTE: The brushroll may not rotate if the height of the brushroll is too low against the surface of the carpet.

Carrying handle

When carrying the appliance, push the appliance with the caster wheels only, or carry it by holding the carrying handle(s).

- Fig.24

CAUTION: When carrying the appliance, lock the appliance in upright position. Otherwise falling accident may occur.

CAUTION: Do not carry the appliance with anything other than the carrying handle. Otherwise falling accident may occur or unintentional starting may cause an injury.

- Fig.25

OPERATION

⚠ CAUTION: Do not pull out the handle pole from the appliance during operation. Doing so lose control of the appliance and may result serious injury.

⚠ CAUTION: Do not put your hand or leg under the appliance during operation. Otherwise pinching accident may occur.

⚠ CAUTION: Do not use the appliance in insufficient lighting. Working in poor light may contribute to an unforeseen accident.

Normal cleaning operation

1. Hold the handle, and then unlock the upright position.
 2. Turn on the appliance. Clean a floor.
- ▶ Fig.26

Using the side brush

The side brush is convenient for cleaning the corner of a wall.

If the side brush gets short, take the appliance to the Makita service center for replacement.

▶ Fig.27: 1. Side brush

Operation with accessories

⚠ CAUTION: Keep holding the handle when using accessories. Otherwise the appliance may accidentally fall and cause injury.

NOTICE: When using accessories, lock the appliance in upright position. Otherwise the rotation of the brushroll may damage the floor.

Using the aluminum pipe

The aluminum pipe is suitable for cleaning tight quarters, or high places.

▶ Fig.28: 1. Aluminum pipe

Using the hose

The hose is suitable for cleaning near your hands.

▶ Fig.29: 1. Hose

To use the hose, pull out the hose from the aluminum pipe while pushing the lever.

▶ Fig.30: 1. Lever

To install the hose, insert the hose into the aluminum pipe until it clicks.

▶ Fig.31

Using the attachments

▶ Fig.32

To install the attachment, twist and insert it securely to the aluminum pipe or the hose. To disconnect, twist and remove it.

MAINTENANCE

⚠ CAUTION: Always be sure that the appliance is switched off and the battery cartridge is removed before attempting to perform inspection or maintenance.

NOTICE: Never use gasoline, benzine, thinner, alcohol or the like. Discoloration, deformation or cracks may result.

To maintain product SAFETY and RELIABILITY, repairs, any other maintenance or adjustment should be performed by Makita Authorized or Factory Service Centers, always using Makita replacement parts.

Storage

When storing, remove the battery cartridge and store the appliance on level place in upright position.

▶ Fig.33

Cleaning the appliance body

From time to time wipe off the outside of the cleaner (cleaner body) using a cloth dampened in soapy water.

▶ Fig.34

Cleaning the HEPA filter

⚠ CAUTION: Do not use the cleaner without a filter or continue to use dirty or damaged filter. Vacuumed dust or particles may be exhausted from the cleaner and they may cause respiratory disease to the operator.

NOTICE: To keep optimum suction power and clean exhaust, clean the filter periodically. If enough suction power is not obtained even after the cleaning, replace the filter with new one.

NOTICE: To prevent the filter from being damaged, do not use following tools and similar items for cleaning:

- Air duster
- High pressure washer
- Tools made of hard materials such as a wire brush

1. Open the dust box cover and take out the filter bag.

Release the hooks on the filter and remove the filter from the appliance body.

▶ Fig.35: 1. Hook

2. Beat the dust off from the filter. The filter can be washed with water. Rinse away the dust and particles on the filter every 1 or 2 months. After that, dry the filter completely in a shaded and well-ventilated place to prevent unpleasant odor or malfunctions.

3. To install the filter, insert the side without the hooks into the groove, then push in the filter until the hooks are secured with a click.

▶ Fig.36: 1. Groove 2. HEPA filter 3. Hook

Cleaning the brushroll

1. Remove the bottom plate, and then remove the brushroll.

If the hair of the brushroll gets short, ask the Makita service center for new one.

Operating the appliance with the short hair brushroll results in poor dust collecting.

► **Fig.37:** 1. Bottom plate 2. Brushroll

2. Remove threads and hairs from the brushroll using scissors.

Remove the cap and clean debris.

► **Fig.38:** 1. Cap

3. Install the cap, brushroll, and bottom plate in reverse order.

► **Fig.39**

CAUTION: Place the bottom plate back in the position securely until the two lock levers click in place. If the appliance is operated without the bottom plate, the brushroll may come off, resulting in injury.

► **Fig.40:** 1. Bottom plate 2. Lock lever

NOTICE: Always attach the brushroll. Operating the appliance without the brushroll results in poor dust collecting.

How to clear the clog

NOTICE: Do not operate the appliance with the intake flow path clogged. Continuous use with the intake flow path clogged results in reduced suction power.

1. Remove the bottom plate, and then remove the brushroll.
2. Remove the aluminum pipe from the appliance and from the hose.
3. Turn the hose counterclockwise, and then remove the hose from the appliance.

4. Remove the suction hose by pulling the tab.

► **Fig.41:** 1. Bottom plate 2. Brushroll 3. Aluminum pipe 4. Hose 5. Suction hose 6. Tab

5. Inspect the intake flow path of air for the inside of the aluminum pipe and the hose, and the suction hose. Remove the debris from inside of them.

6. Align the tongue of the suction hose with the groove in the housing and slip it into place.

► **Fig.42:** 1. Tongue 2. Groove

7. Install the hose, aluminum pipe, brushroll, and bottom plate.

CAUTION: Install the hose, pipe firmly. Otherwise dust leakage may occur and cause injury.

Dust bag

Optional accessory

The dust bag can be used repeatedly by cleaning it out.

Installing and removing dust bag

The procedure of installing and removing the dust bag is same as the filter bag. Please refer to the section for installing the filter bag and removing the filter bag.

► **Fig.43:** 1. Dust bag 2. Rubber cap

NOTICE: When installing the dust bag, open the rubber cap first. Insert the dust bag with the rubber cap behind.

Emptying dust bag

1. Close the rubber cap to prevent dust from floating out.

2. Open the bag mouth by pulling the fastener out.

3. Empty the dust bag of its contents, tapping it lightly so as to remove particles adhering to the insides.

► **Fig.44:** 1. Dust bag 2. Rubber cap 3. Fastener

NOTICE: Empty the dust bag frequently. Too much dust will tear the bag easily.

Cleaning the dust bag

Regularly clean the dust bag with soap and water. Turn the dust bag inside out and remove the sticky dust. Wash lightly by hand and rinse well with water. Dry completely before installing to the vacuum cleaner.

► **Fig.45**

NOTICE: Wet dust bag lowers the vacuuming performance as well as the life of the motor.

NOTICE: When mounting the fastener on the dust bag, make sure that the bag mouth is securely closed.

CYCLONE ATTACHMENT

Optional accessory

- **Fig.46:** 1. Cyclone attachment

About the cyclone attachment

Using the cleaner with the cyclone attachment installed reduces the amount of dust that enters the filter bag, which helps to prevent the suction force from weakening. In addition, cleaning after use is also simple.

⚠ CAUTION: Always be sure that the tool is switched off and the battery cartridge is removed before carrying out any work on the tool. If the battery cartridge is left inserted, the cleaner may start unexpectedly and result in injury.

⚠ CAUTION: Clean the mesh filter of the cyclone attachment and the filter bag of the cleaner unit when they become clogged. Continued use in the clogged condition may result in heating or smoke.

NOTICE: When the cyclone attachment is attached, do not use the cyclone attachment in the horizontal or upward facing condition. Doing so may cause the mesh filter to become clogged.

NOTICE: Always use the cleaner with the filter bag installed, even when using the cyclone attachment. Using the cleaner without the filter bag installed may result in a motor malfunction.

NOTE: Check that the cyclone attachment, cleaner, and straight pipe are locked properly before use.

NOTE: Empty the dust case of the cyclone attachment and the filter bag of the cleaner when dust has accumulated. Continued use will result in weakened suction force.

Installing cyclone attachment

1. Turn the cuff on the hose counterclockwise and remove the hose, pipe grip, and aluminum pipe from the appliance.
► **Fig.47:** 1. Cuff 2. Hose 3. Pipe grip 4. Aluminum pipe
2. Turn the side of the stopper on the cyclone attachment upward, aligning the stopper with the groove of the suction inlet. Lock the stopper by inserting the cyclone attachment until it clicks. Pull the cyclone attachment lightly to make sure it will not be removed. Install the straight pipe with the same procedure as the cyclone attachment.
► **Fig.48:** 1. Grip for cyclone attachment 2. Suction inlet 3. Cyclone attachment 4. Straight pipe for cyclone attachment 5. Stopper 6. Locking button
3. Install the cyclone attachment on the appliance, and then turn the cuff on the hose clockwise to fix it.
► **Fig.49**

Disposing of dust

When dust has accumulated up to the full line of the dust case, follow the procedure below and dispose of the dust.

1. Hold the dust case firmly, press and hold the two buttons, and remove the dust case.

► **Fig.50:** 1. Full line 2. Dust case 3. Button (two locations) 4. Mesh filter

2. Dispose of the dust inside the dust case and remove any dust and powder adhered to the surface of the mesh filter.

3. Insert the dust case all the way until the two buttons lock with a click.

► **Fig.51:** 1. Dust case 2. Button (two locations)

NOTE: Hold the cyclone attachment firmly when installing the dust case.

NOTE: Check that the cyclone attachment, cleaner, and straight pipe are locked properly before restarting operation.

NOTE: The indicator of excess level of dust on the cleaner will not light up when the dust case of the cyclone attachment becomes full.

NOTE: Under the following conditions, check whether dust has accumulated inside the filter bag of the cleaner or clogging in the air path has occurred. Clear the causes where necessary.

- If the suction performance does not improve after you have removed dust from the dust case and cleaned the mesh filter.
- If the indicator of excess level of dust on the cleaner continues to light up.

Cleaning

When the dust case becomes dirty or the mesh filter is clogged, remove and wash them with water. (Refer to "Disposing of dust" for the removal procedure.)

Dry the parts thoroughly before reinstallation and use.

► **Fig.52:** 1. Dust case 2. Mesh filter

When the mesh filter gets dirty badly, clean it in the following procedures.

1. Turn the mesh filter counterclockwise and remove it while the hooks are unlocked.

► **Fig.53:** 1. Mesh filter 2. Hook

2. Remove the dust on the mesh filter and then wash it with water. After that, dry it thoroughly.

3. Insert the mesh filter into the base while the hooks are aligned with the port. Turn the mesh filter clockwise until the hooks are locked with a click. Make sure that the mesh filter is installed securely.

► **Fig.54:** 1. Mesh filter 2. Hook 3. Port

TROUBLESHOOTING

Before asking for repairs, conduct your own inspection first. If you find a problem that is not explained in the manual, do not attempt to disassemble the machine. Instead, ask Makita Authorized Service Centers, always using Makita replacement parts for repairs.

Symptom	Probable cause	Remedy
Not working	The battery cartridge is installed improperly.	Install the battery cartridge as described in this manual.
	The battery cartridge is exhausted.	Charge the battery cartridge.
	The handle is installed improperly.	Install the handle firmly as described in this manual.
The brushroll does not rotate	The appliance is locked in upright position.	Unlock the upright position of the appliance.
	The indicator of the brushroll error is lighting.	Inspect that there is no entanglement around the brushroll (body, cap and joint).
Weak suction power	The indicator of excess level of dust is lighting.	Replace the filter bag. If the filter bag is not full, unfold the filter bag and shake it to clear the clogging.
	⇒If replacing the filter bag does not solve the problem...	Clean or replace the HEPA filter.
		Inspect that there is no debris clogged in the hose and pipe.
	Debris is entangled in the brushroll and the rotating speed is declined.	Inspect that there is no entanglement around the brushroll (body, cap, joint).
	The height of the brushroll is too high from the floor.	Lower the height of the brushroll.
	The hair of the brushroll has become short.	Replace the brushroll. Lower the height of the brushroll.
	The appliance is operating in low mode.	Change to the higher operating mode.
	The brushroll is not installed.	Install the brushroll.
Loud driving noise	The pipe or the hose is installed improperly.	Install the pipe or the hose firmly.
	The appliance is operating in high mode.	Change to the lower operating mode.
	Debris is entangled in the brushroll.	Inspect that there is no entanglement around the brushroll (body, cap and joint).
	The filter bag is filled with dust.	Replace the filter bag.
	⇒If replacing the filter bag does not solve the problem...	Clean or replace the HEPA filter. Inspect that there is no debris clogged in the hose and pipe.
The indicator of excess level of dust blinks after a little use	The filter bag is folded.	Unfold the entrance of the filter bag before setting it.
Lamp does not light	The lamp setting is off.	During operation, press and hold the battery check / lamp button to turn on the lamp.
The caster wheel is hard to move	Debris is entangled in the caster wheel.	Clean the debris on the caster wheel.

OPTIONAL ACCESSORIES

⚠ CAUTION: These accessories or attachments are recommended for use with your Makita tool specified in this manual. The use of any other accessories or attachments might present a risk of injury to persons. Only use accessory or attachment for its stated purpose.

- Cyclone attachment
- HEPA filter
- Filter bag
- Dust bag
- Makita genuine battery and charger

NOTE: Some items in the list may be included in the tool package as standard accessories. They may differ from country to country.

If you need any assistance for more details regarding these accessories, ask your local Makita Service Center.

- Corner nozzle
- Round brush

OSTRZEŻENIE

- Informacje dla użytkowników w Europie: Niniejsze urządzenie może być użytkowane przez dzieci w wieku powyżej 8 lat oraz przez osoby niebędące w pełni władz fizycznych, poznawczych i umysłowych lub nieposiadające doświadczenia ani wiedzy, o ile osoba odpowiedzialna za ich bezpieczeństwo zapewni odpowiedni nadzór i przekaze wskazówki dotyczące użytkowania urządzenia oraz zagrożeń z nim związanych. Dzieci nie powinny bawić się urządzeniem. Czyszczenie oraz konserwacja nie mogą być przeprowadzane przez dzieci bez nadzoru.
- Informacje dla użytkowników z regionów innych niż Europa: Niniejsze urządzenie nie jest przeznaczone do użycia przez osoby (w tym dzieci) niebędące w pełni władz fizycznych, poznawczych lub umysłowych, bądź nieposiadające odpowiedniej wiedzy i doświadczenia, o ile osoba odpowiedzialna za ich bezpieczeństwo nie zapewni odpowiedniego nadzoru i nie przekaze wskazówek dotyczących użytkowania urządzenia.
- Należy pilnować, aby dzieci nie bawiły się urządzeniem.
- PRZESTROGA: Przed przystąpieniem do czynności konserwacyjnych należy odłączyć urządzenie od zasilania. Należy regularnie przeprowadzać konserwację urządzenia.
- Akumulatory z możliwością ponownego ładowania należy wyjąć z urządzenia przed naładowaniem.
- Aby wyjąć lub włożyć akumulator, należy wysunąć akumulator z narzędzia, jednocześnie naciskając przycisk znajdujący się w przedniej części akumulatora.
- Zużyte akumulatory należy wyjąć z urządzenia i przekazać do bezpiecznej utylizacji. Należy przestrzegać lokalnych przepisów w zakresie utylizacji akumulatorów.
- Jeśli urządzenie nie będzie używane i ma być przechowywane przez dłuższy okres, należy wyjąć akumulatory.
- Nie wolno zwierać styków źródła zasilania.

Kompatybilne akumulatory i ładowarki

Akumulator	BL4020 / BL4025 / BL4040 / BL4040F / BL4050F / BL4080F
Ładowarka	DC40RA / DC40RB / DC40RC

- Pewne z wymienionych powyżej akumulatorów i ładowarek mogą być niedostępne w regionie zamieszkania użytkownika.

▲OSTRZEŻENIE: Należy używać wyłącznie akumulatorów i ładowarek wymienionych powyżej.
Używanie innych akumulatorów i ładowarek może stwarzać ryzyko wystąpienia obrażeń ciała lub pożaru.

DANE TECHNICZNE

Model:	VC010G
Maks. przepływ powietrza ^{*1}	1,8 m ³ /min
Podciśnienie ^{*1}	15 kPa
Pojemność	5 l
Wymiary (dług. x szer. x wys.)	326 mm x 381 mm x 1 146 mm
Napięcie znamionowe	Prąd stały 36 V–40 V maks.
Ciężar netto	8,0–9,2 kg

^{*1} Wartość jest mierzona przy użyciu opracowanej przez nas metody.

- W związku ze stale prowadzonym przez naszą firmę programem badawczo-rozwojowym niniejsze dane mogą ulec zmianom bez wcześniejszego powiadomienia.
- Dane techniczne mogą różnić się w zależności od kraju.
- Waga uwzględnia akcesoria (szczotka okrągła, końcówka szczelinowa) oraz akumulatory. Wagi najlżejszych i najcięższych kombinacji urządzenia z akumulatorami przedstawiono w tabeli.

Symbole

Poniżej pokazano symbole, jakie mogą być zastosowane na urządzeniu. Przed rozpoczęciem użytkowania należy zapoznać się z ich znaczeniem.



Przeczytać instrukcję obsługi.



Zachować szczególną ostrożność.



Przykładowy akumulator do zastosowania z tym produktem.



Dotyczy tylko państw UE
Z uwagi na obecność w sprzęcie niebezpiecznych składników, zużyty sprzęt elektryczny, elektroniczny, akumulatory oraz baterie mogą powodować negatywny wpływ na środowisko i zdrowie ludzi. Nie wyrzucaj urządzeń elektrycznych, elektronicznych lub akumulatorów wraz z odpadami z gospodarstwa domowego! Zgodnie z Europejską Dyrektywą w sprawie zużytego sprzętu elektrycznego i elektronicznego oraz dotyczącą akumulatorów i baterii oraz zużytych akumulatorów i baterii, a także dostosowaniem ich do prawa krajowego, zużyte urządzenia elektryczne, elektroniczne, baterie i akumulatory, należy składować osobno i przekazywać do punktu selektywnej zbiórki odpadów komunalnych, działającego zgodnie z przepisami dotyczącymi ochrony środowiska.
Informuje o tym symbol przekreślonego kołowego kontenera na odpady umieszczony na sprzęcie.

Przeznaczenie

To urządzenie jest przeznaczone do odsysania suchego pyłu. Urządzenie jest przeznaczone do użytku komercyjnego, na przykład w hotelach, szkołach, szpitalach, fabrykach, sklepach, biurach oraz przez firmy świadczące usługi wynajmu narzędzi.

Hałas

Typowy równoważny poziom dźwięku A określony w oparciu o normę IEC60335-2-69:
Poziom ciśnienia akustycznego (L_{pA}): 70 dB(A) lub mniej
Niepewność (K): 2,5 dB(A)

Poziom hałasu podczas pracy może przekraczać 80 dB (A).

WSKAZÓWKA: Deklarowana wartość emisji hałasu została zmierzona zgodnie ze standardową metodą testową i można ją wykorzystać do porównywania narzędzi.

WSKAZÓWKA: Deklarowaną wartość emisji hałasu można także wykorzystać we wstępnej ocenie narażenia.

⚠️ OSTRZEŻENIE: Nosić ochronniki słuchu.

⚠️ OSTRZEŻENIE: Poziom hałasu wytwarzanego podczas rzeczywistego użytkowania elektronarzędzia może się różnić od wartości deklarowanej w zależności od sposobu użytkowania narzędzia, a w szczególności od rodzaju obrabianego elementu.

⚠️ OSTRZEŻENIE: W oparciu o szacowane narażenie w rzeczywistych warunkach użytkownika należy określić środki bezpieczeństwa w celu zapewnienia ochrony operatora (uwzględniając wszystkie elementy cyklu działania, tj. czas, kiedy narzędzie jest wyłączone i kiedy pracuje na biegu jałowym, a także czas, kiedy jest włączone).

Drgania

Całkowita wartość poziomu drgań (suma wektorów w 3 osiach) określona zgodnie z normą IEC60335-2-69:
Emisja drgań (a_{hM}): 2,5 m/s² lub mniej
Niepewność (K): 1,5 m/s²

WSKAZÓWKA: Deklarowana wartość poziomu drgań została zmierzona zgodnie ze standardową metodą testową i można ją wykorzystać do porównywania narzędzi.

WSKAZÓWKA: Deklarowaną wartość poziomu drgań można także wykorzystać we wstępnej ocenie narażenia.

⚠️ OSTRZEŻENIE: Drgania wytwarzane podczas rzeczywistego użytkowania elektronarzędzia mogą się różnić od wartości deklarowanej w zależności od sposobu użytkowania narzędzia, a w szczególności od rodzaju obrabianego elementu.

⚠️ OSTRZEŻENIE: W oparciu o szacowane narażenie w rzeczywistych warunkach użytkownika należy określić środki bezpieczeństwa w celu zapewnienia ochrony operatora (uwzględniając wszystkie elementy cyklu działania, tj. czas, kiedy narzędzie jest wyłączone i kiedy pracuje na biegu jałowym, a także czas, kiedy jest włączone).

Deklaracje zgodności

Dotyczy tylko krajów europejskich

Deklaracje zgodności są dołączone jako załącznik A do niniejszej instrukcji obsługi.

OSTRZEŻENIA DOTYCZĄCE BEZPIECZEŃSTWA

Ostrzeżenia dotyczące bezpieczeństwa dla odkurzacza akumulatorowego

⚠ OSTRZEŻENIE: WAŻNE! UWAŻNIE PRZECZYTAĆ wszystkie zasady bezpieczeństwa i zalecenia **PRZED UŻYCIEM**. Niezastosowanie się do wspomnianych ostrzeżeń i instrukcji może doprowadzić do porażenia prądem elektrycznym, pożaru i/lub poważnych obrażeń ciała.

1. Odkurzacza mogą używać wyłącznie osoby odpowiednio przeszkolone.
2. Nie używać bez założonego worka filtracyjnego i/lub filtrów. Uszkodzony filtr należy niezwłocznie wymienić.
3. **UNIKAĆ PRZYPADKOWEGO URUCHOMIENIA.** Podczas montażu akumulatorów należy upewnić się, że wyłącznik znajduje się w położeniu wyłączonym.
4. Nie próbować wciągać odkurzaczem materiałów łatwopalnych, fajerwerków, zapalonych papierosów, gorącego popiołu, gorących wirorów metalowych ani ostrych przedmiotów, takich jak żyłki, igły czy zbite szkło.
5. **NIGDY NIE UŻYWAĆ ODKURZACZA W POKŁADZIE ZBIORNIKÓW BENZYNY, GAZU, LAKIERU, KLEJU ANI INNYCH WYBUCHOWYCH SUBSTANCJI.** Włączanie/wyłączanie przełącznika zasilania powoduje iskrzenie. Iskrzenie powoduje także komutator silnika. Może to być przyczyną wybuchu.
6. Odkurzacze nie nadaje się do zbierania niebezpiecznego pyłu.
7. Nigdy nie wciągać odkurzaczem materiałów toksycznych, rakotwórczych, łatwopalnych ani innych materiałów niebezpiecznych, takich jak azbest, arsen, bar, beryl, ołów, pestycydy lub inne materiały niebezpieczne dla zdrowia.
8. Nie odkurzać piany powstałej na przykład na skutek użycia środka do czyszczenia dywanów itp. (takie działanie może spowodować wybuch lub pożar).
9. Nie używać na zewnątrz ani na mokrych powierzchniach.
10. W przypadku Finlandii ta maszyna nie jest przeznaczona do użycia na zewnątrz w niskich temperaturach.
11. Nie eksploatować urządzenia w pobliżu źródeł ciepła (pieców itp.).
12. Nie blokować otworu zasysania, otworu dmuchawy ani otworów chłodzenia. Zapewniają one chłodzenie silnika. Otwory wentylacyjne powinny być zawsze odsłonięte; w przeciwnym razie dojdzie do przepalenia się silnika w wyniku braku wentylacji.
13. Nie zginać i nie szarpać węża ani nie stawać na nim.
14. W przypadku zauważenia małej skuteczności działania lub innych nietypowych objawów natychmiast wyłączyć odkurzacze.
15. **WYJĄC AKUMULATORY.** Gdy odkurzacze nie jest używany, podczas konserwacji oraz wymiany akcesoriów.
16. Po każdym użyciu natychmiast wyczyścić i wykonać konserwację w celu utrzymania urządzenia w optymalnym stanie technicznym.
17. **STARANIE WYKONYWAĆ CZYNNOŚCI KONSERWACYJNE.** Utrzymywać czystość odkurzacza, aby zapewnić lepsze i bezpieczniejsze działanie. Przestrzegać instrukcji wymiany akcesoriów. Utrzymywać rękojeści suche, czyste i niezabrudzone olejem ani smarem.
18. **SPRAWDZIĆ USZKODZONE CZĘŚCI.** Uszkodzoną osłonę lub inną część należy dokładnie sprawdzić przed dalszym użytkowaniem odkurzacza, aby mieć pewność, że będzie ona poprawnie działać i spełniać swoją funkcję. Należy sprawdzić narzędzie pod kątem nieprawidłowego ustawienia lub zablokowania elementów ruchomych, pęknięć części, zamocowania oraz innych usterek, które mogą mieć wpływ na jego działanie. Osłona lub inne uszkodzone części powinny zostać naprawione lub wymienione przez autoryzowany punkt serwisowy, o ile w instrukcji nie podano inaczej. Uszkodzone przełączniki powinny zostać wymienione w autoryzowanym punkcie serwisowym. Nie używać odkurzacza, jeśli nie działają funkcje przełącznika.
19. **CZĘŚCI ZAMIENNE.** Do wymiany należy używać tylko identycznych części zamiennych.
20. Gdy odkurzacze nie jest używany, należy zawsze przechowywać go w pomieszczeniu.
21. Z odkurzaczem należy obchodzić się delikatnie. Niedbale i agresywne użytkowanie może spowodować uszkodzenie nawet najbardziej wytrzymałego odkurzacza.
22. Nie czyścić powierzchni zewnętrznych ani wewnętrznych benzyną, rozpuszczalnikiem ani chemicznymi środkami czyszczącymi. Mogą powstać pęknięcia i odbarwienia.
23. Nie używać odkurzacza w pomieszczeniach zamkniętych, w których występują łatwopalne, wybuchowe lub toksyczne opary farb olejnych, rozpuszczalników, benzyny, niektórych substancji przeciwmolowych itp. ani w miejscach, w których występuje łatwopalny pył.
24. Odkurzacza ani żadnego innego urządzenia nie wolno obsługiwać, będąc pod wpływem narkotyków lub alkoholu.
25. Należy nosić odpowiednie środki ochrony osobistej, takie jak maska, w zależności od środowiska eksploatacji.
26. To urządzenie nie jest przeznaczone do użytkowania przez osoby, w tym dzieci, o ograniczonej sprawności ruchowej, sensorycznej lub umysłowej oraz osoby nieposiadające odpowiedniej wiedzy i doświadczenia.
27. Należy zwracać uwagę, aby dzieci nie bawiły się odkurzaczem.

28. Nie wolno obsługiwać odkurzacza ani akumulatorów mokrymi rękami.
29. Zachować szczególną ostrożność podczas sprzątanía na schodach.
30. Nie używać odkurzacza na niestabilnych lub pochylonych powierzchniach, ponieważ może to spowodować jego upadek skutkujący obrażeniami lub uszkodzeniami.
31. Zawsze stać na pewnym podłożu i utrzymywać równowagę.
32. Nie używać odkurzacza jako stołka ani stołu warsztatowego. Urządzenie może się przewrócić i spowodować obrażenia.
33. Nie należy zbliżyć części ciała ani ubrań do otworów i ruchomych części, takich jak obracająca się szczotka obrotowa. W przeciwnym razie mogą one zostać wciągnięte przez urządzenie i może dojść do obrażeń ciała.

Użytkowanie narzędzi akumulatorowych i dbałość o nie

1. **Akumulator należy ładować wyłącznie przy użyciu określonej przez producenta ładowarki.** Ładowarka przeznaczona do jednego typu akumulatora może stwarzać zagrożenie pożarem, gdy będzie używana do ładowania innego akumulatora.
2. **Do zasilania elektronarzędzi używać tylko specjalnie do tego celu przeznaczonych akumulatorów.** Używanie innych akumulatorów może stwarzać ryzyko wystąpienia obrażeń ciała lub pożaru.
3. **Gdy akumulator nie jest używany, należy zabezpieczyć go przed kontaktem z metalowymi przedmiotami, typu spinacze, monety, klucze, gwoździe, wkrety lub innymi metalowymi drobiazgami, które mogą powodować zwarcie styków akumulatora.** Zwarcie styków akumulatora grozi poparzeniami lub pożarem.
4. **W niewłaściwych warunkach eksploatacji może dojść do wycieku elektrolitu z akumulatora. Nie należy go dotykać. W razie przypadkowego kontaktu należy przemyć skażoną skórę wodą. W przypadku dostania się elektrolitu do oczu należy dodatkowo skorzystać z porady lekarza.** Elektrolit z akumulatora może powodować podrażnienia lub poparzenia.
5. **Nie używać uszkodzonego lub przerobionego akumulatora ani narzędzia.** Uszkodzone lub przerobione akumulatory mogą działać w nieprzewidywalny sposób i spowodować pożar, wybuch lub obrażenia ciała.
6. **Nie wystawiać akumulatora ani narzędzia na działanie ognia ani nadmiernej temperatury.** Narażenie na ogień lub temperaturę wyższą niż 130°C może spowodować wybuch.
7. **Przestrzegać wszystkich instrukcji ładowania i nie ładować akumulatora ani narzędzia w temperaturze wykraczającej poza zakres określony w instrukcji.** Nieprawidłowe ładowanie lub temperatura wykraczająca poza określony zakres mogą spowodować uszkodzenie akumulatora oraz wzrost zagrożenia pożarem.

ZACHOWAĆ NINIEJSZE INSTRUKCJE.

⚠ OSTRZEŻENIE: NIE WOLNO pozwolić, aby wygoda lub rutyna (nabyta w wyniku wielokrotnego używania urządzenia) zastąpiły ścisłe przestrzeganie zasad bezpieczeństwa obsługi. **NIEWŁAŚCIWE UŻYTKOWANIE** narzędzia lub niestosowanie się do zasad bezpieczeństwa podanych w niniejszej instrukcji obsługi może prowadzić do poważnych obrażeń ciała.

Ważne zasady bezpieczeństwa dotyczące akumulatora

1. **Przed użyciem akumulatora zapoznać się ze wszystkimi instrukcjami i znakami ostrzegawczymi na (1) ładowarce, (2) akumulatorze i (3) produkcie, w którym będzie używany akumulator.**
2. **Nie rozmontowywać ani modyfikować akumulatora.** Może to spowodować pożar, przegrzanie lub wybuch.
3. **Jeśli czas działania uległ znacznemu skróceniu, należy natychmiast przerwać pracę.** Może bowiem dojść do przegrzania, ewentualnych poparzeń, a nawet eksplozji.
4. **W przypadku przedostania się elektrolitu do oczu, przemyć je czystą wodą i niezwłocznie uzyskać pomoc lekarską.** Może on bowiem spowodować utratę wzroku.
5. **Nie doprowadzać do zwarcia akumulatora:**
 - (1) **Nie dotykać styków materiałami przewodzącymi prąd.**
 - (2) **Unikać przechowywania akumulatora w pojemniku z metalowymi przedmiotami, takimi jak gwoździe, monety itp.**
 - (3) **Chronić akumulator przed deszczem lub wodą.**

Zwarcie prowadzi do przepływu prądu elektrycznego o dużym natężeniu i przegrzania akumulatora, co w konsekwencji może grozić poparzeniami a nawet awarią urządzenia.
6. **Narzędzia i akumulatora nie wolno przechowywać ani używać w miejscach, w których temperatura osiąga bądź przekracza 50°C (122°F).**
7. **Akumulatorów nie wolno spalać, również tych poważnie uszkodzonych lub całkowicie zużytych.** Akumulator może eksplodować w ogniu.
8. **Nie należy przecinać ani zginać akumulatora, wbić w niego gwoździ, rzucić nim, upuszczać, ani uderzać akumulatorem o twarde objekty.** Takie działanie może spowodować pożar, przegrzanie lub wybuch.
9. **Nie wolno używać uszkodzonego akumulatora.**
10. **Stanowiące wyposażenie akumulatory litowo-jonowe podlegają przepisom dotyczącym produktów niebezpiecznych.**

Na potrzeby transportu komercyjnego, np. świadczony przez firmy trzecie czy spedycyjne, należy przestrzegać specjalnych wymagań w zakresie pakowania i oznaczania etykietami. Przygotowanie produktu do wysyłki wymaga skonsultowania się ze specjalistą ds. materiałów niebezpiecznych. Należy także przestrzegać przepisów krajowych, które mogą być bardziej szczegółowe. Zakleić taśmą lub zaślepić otwarte styki akumulatora oraz zabezpieczyć go, aby nie mógł się przesuwać w opakowaniu.

11. **Jeśli zajdzie konieczność utylizacji akumulatora, należy wyjąć go z narzędzia i przekazać w bezpieczne miejsce. Postępować zgodnie z przepisami lokalnymi dotyczącymi utylizacji akumulatorów.**
12. **Używać akumulatorów tylko z produktami określonymi przez firmę Makita.** Zastosowanie akumulatorów w niezgodnych produktach może spowodować pożar, przegrzanie, wybuch lub wyciek elektrolitu.
13. **Jeśli narzędzie nie będzie używane przez dłuższy czas, należy wyjąć z niego akumulator.**
14. **Przed użyciem akumulatora i po jego użyciu akumulator może pozostawać nagrzany, co może spowodować poparzenia lub poparzenia w niskiej temperaturze. Z gorącym akumulatorem należy obchodzić się ostrożnie.**
15. **Nie należy dotykać styku narzędzia bezpośrednio po jego użyciu, ponieważ może on być na tyle gorący, że spowoduje oparzenia.**
16. **Nie należy dopuszczać, aby wióry, kurz lub brud gromadziły się na stykach, w otworach i rowkach akumulatora.** Może to doprowadzić do przegrzania, pożaru, wybuchu lub uszkodzenia narzędzia lub akumulatora, co może spowodować oparzenia lub obrażenia ciała.
17. **Jeśli narzędzie nie jest przeznaczone do użytku w pobliżu linii wysokiego napięcia, nie należy korzystać z akumulatora w ich sąsiedztwie.** Może to spowodować nieprawidłowości w działaniu lub uszkodzenie narzędzia lub akumulatora.
18. **Przechowywać akumulator w miejscu niedostępnym dla dzieci.**

⚠ PRZESTROGA: Używać wyłącznie oryginalnych akumulatorów firmy Makita. Używanie nieoryginalnych akumulatorów firm innych niż Makita lub akumulatorów, które zostały zmodyfikowane, może spowodować wybuch akumulatora i pożar, obrażenia ciała oraz zniszczenie mienia. Stanowi to również naruszenie warunków gwarancji firmy Makita dotyczących narzędzia i ładowarki.

Wskazówki dotyczące zachowania maksymalnej trwałości akumulatora

1. **Akumulator należy naładować zanim zostanie do końca rozładowany. Po zauważeniu spadku mocy narzędzia należy przerwać pracę i naładować akumulator.**
2. **Nie wolno ładować powtórnie w pełni naładowanego akumulatora. Przeładowanie akumulatora skracają jego trwałość.**
3. **Akumulator należy ładować w temperaturze pokojowej w przedziale 10–40°C (50–104°F). W przypadku gorącego akumulatora przed przystąpieniem do ładowania należy poczekać, aż ostygnie.**
4. **Jeśli akumulator nie jest używany, należy go wyjąć z narzędzia lub ładowarki.**
5. **Akumulatory niklowo-wodorkowe należy naładować po okresie długiego nieużytkowania (dłuższego niż sześć miesięcy).**

ZACHOWAĆ NINIEJSZE INSTRUKCJE.

OPIS CZĘŚCI

► Rys.1

1	Uchwyt	2	Płytkę przełącznika	3	Rękojeść rury	4	Wąż
5	Panel wskaźników	6	Dźwignia (pokrywy pojemnika na pył)	7	Pokrywa pojemnika na pył	8	Uchwyt do przenoszenia
9	Akumulator	10	Dźwignia regulacji	11	Końcówka szczelinowa	12	Szczotka okrągła
13	Dźwignia nożna	14	Kółko samonastawne	15	Szczotka boczna	16	Wąż ssący
17	Łącznik	18	Rura aluminiowa	19	Uchwyt rury	20	Lampka
21	Szczotka obrotowa	22	Płyta dolna	23	Przycisk zmiany trybu	24	Przycisk WŁ./WYŁ.
25	Wskaźnik trybu pracy	26	Wskaźnik nadmiernego poziomu pyłu	27	Wskaźnik błędu szczotki obrotowej	28	Wskaźnik stanu naładowania akumulatora
29	Przycisk sprawdzenia naładowania akumulatora/lampki	-	-	-	-	-	-

MONTAŻ

⚠ PRZESTROGA: Przed przystąpieniem do wszelkich prac konserwacyjnych przy urządzeniu upewnić się, że jest ono wyłączone oraz że akumulator został wyjęty.

⚠ PRZESTROGA: Zawsze podczas montażu lub konserwacji należy nosić maskę przeciwpyłową.

Podłączanie uchwyty

1. Należy włożyć pręt uchwyty całkowicie do korpusu odkurzacza, w sposób pokazany na rysunku.
 2. Zamknąć zatrzask blokady.
- **Rys.2:** 1. Pręt uchwyty 2. Czerwony znacznik 3. Zatrzask blokady

UWAGA: Wsunąć uchwyt do końca, aż czerwony znacznik przestanie być widoczny.

Podłączanie węża

Włożyć wąż do otworu montażowego urządzenia i obrócić wąż do zablokowania.

► **Rys.3:** 1. Otwór montażowy

Podłączanie rury

Wsunąć końcówkę rury aluminiowej do łącznika, a następnie zamocować rurę aluminiową w uchwycie rury.

► **Rys.4:** 1. Łącznik 2. Uchwyt rury

UWAGA: Wsunąć rurę aluminiową we właściwym kierunku, jak pokazano na rysunku. W przeciwnym razie uchwyt rury nie zostanie zablokowany i rura aluminiowa może wypaść.

► **Rys.5**

Wkładanie i wyjmowanie akumulatora

⚠ PRZESTROGA: Przed włożeniem lub wyjęciem akumulatora zawsze należy wyłączyć urządzenie.

⚠ PRZESTROGA: Podczas wkładania lub wyjmowania akumulatora należy mocno trzymać odkurzacza i akumulator. W przeciwnym razie mogą się one wyslizgnąć z rąk, powodując uszkodzenie odkurzacza i akumulatora oraz obrażenia ciała.

⚠ PRZESTROGA: Zachować ostrożność, aby podczas wkładania akumulatora nie przytrzasnąć palców. Niezastosowanie się do tej zasady może spowodować obrażenia ciała.

⚠ PRZESTROGA: Nie wkładać/wyjmować akumulatora mokrymi rękami. Istnieje ryzyko porażenia prądem elektrycznym.

Wyrównać występ na akumulatorze z rowkiem w obudowie i wsunąć go na swoje miejsce. Wsunąć do oporu, aż zatrzaśnie się na miejscu, co jest sygnalizowane delikatnym kliknięciem.

► **Rys.6:** 1. Akumulator 2. Przycisk

Aby wyjąć akumulator z urządzenia, należy przesunąć przycisk znajdujący się w przedniej części akumulatora.

⚠ PRZESTROGA: Akumulator należy zawsze wkładać do końca. W przeciwnym razie może on przypadkowo wypaść z urządzenia, powodując obrażenia u operatora lub osób postronnych.

⚠ PRZESTROGA: Nie wkładać akumulatora na siłę. Jeśli akumulator nie daje się swobodnie wsunąć, oznacza to, że został włożony nieprawidłowo.

Zakładanie worka filtracyjnego

⚠ PRZESTROGA: Nie używać uszkodzonego worka filtracyjnego. Odkurzacza należy używać wyłącznie z prawidłowo założonym workiem filtracyjnym. W przeciwnym razie zebrany pył i zanieczyszczenia mogą być wyrzucane z odkurzacza, stając się przyczyną chorób układu oddechowego operatora.

Worek filtracyjny należy założyć przed rozpoczęciem eksploatacji odkurzacza.

Worek filtracyjny jest jednorazowego użytku. Kiedy worek filtracyjny się zapelni, należy go wyrzucić w całości bez opróżniania.

UWAGA: Gdy worek filtracyjny jest pełny lub zatłoczony, należy wymienić go na nowy. Kontynuowanie pracy z pełnym lub zatłoczonym workiem filtracyjnym spowoduje obniżenie siły ssania.

UWAGA: Aby zapobiec przedostaniu się pyłu do silnika:

- Przed przystąpieniem do użytkowania upewnić się, że worek filtracyjny jest założony.
- Nie używać podartego lub przetartego worka.

Może to doprowadzić do uszkodzenia silnika.

UWAGA: Wkładając worek filtracyjny, nie zginać kartonowej części przy jego wlocie.

UWAGA: Worek filtracyjny odkurzacza to element istotny dla zachowania wydajności urządzenia. Używanie worka filtracyjnego innego niż oryginalny może powodować powstawanie dymu lub doprowadzić do zapłonu.

WSKAZÓWKA: Kiedy w urządzeniu nie ma założonego worka filtracyjnego, nie jest możliwe całkowite zamknięcie pokrywy pojemnika na pył.

WSKAZÓWKA: W przypadku niektórych krajów i regionów wielorazowy worek na pył jest wstępnie założony w urządzeniu. Można wykonać te same kroki zakładania/zdejmowania co w przypadku worka filtrującego.

1. Należy odblokować dźwignię i otworzyć pokrywę pojemnika na pył.

► **Rys.7:** 1. Dźwignia 2. Pokrywa pojemnika na pył

2. Rozłożyć worek filtracyjny.

► **Rys.8**

3. Otworzyć zatrzask i włożyć worek filtracyjny do szczeliny w uchwycie, tak aby strona z oznaczeniem \triangle była wsunięta jako pierwsza.

► **Rys.9:** 1. Zatrzask 2. Szczelina 3. Worek filtracyjny 4. Uchwyt

► **Rys.10:** 1. Oznaczenie 2. Szczelina

WSKAZÓWKA: Należy upewnić się, czy przez szczelinę w uchwycie widać tylko oznaczenie na części kartonowej.

4. Zaczepić zatrzask uchwytu.

► **Rys.11:** 1. Zatrzask

5. Rozłożyć worek filtracyjny, jeśli jest złożony.

► **Rys.12**

6. Dokładnie zablokować pokrywę pojemnika na pył.

⚠ PRZESTROGA: Zachować ostrożność, aby podczas zaczepiania zatrzasku i zamykania pokrywy pojemnika na pył nie przytrzasnąć palców.

Wymywanie worka filtracyjnego

⚠ PRZESTROGA: Należy delikatnie obchodzić się z workiem filtracyjnym. W przeciwnym razie wdmuchnięcie ciała obcych do oczu może skutkować obrażeniami.

Worek filtracyjny należy wymieniać, gdy się zapełni lub będzie zatkany.

Należy otworzyć pokrywę pojemnika na pył i otworzyć zatrzask, a następnie wyjąć worek filtracyjny.

► **Rys.13:** 1. Zatrzask

Pociągnąć pasek po stronie otworu, aby zamknąć worek filtracyjny. Następnie wyrzucić cały worek filtracyjny.

► **Rys.14:** 1. Pasek

UWAGA: Nie używać worka filtracyjnego ponownie. Worek filtracyjny jest przeznaczony do jednorazowego użytku. Wielokrotne używanie worka filtracyjnego może spowodować zatkanie filtra i doprowadzić do uszkodzenia urządzenia.

OPIS DZIAŁANIA

⚠ PRZESTROGA: Przed przystąpieniem do regulacji lub przeglądu urządzenia upewnić się, że jest ono wyłączone, a akumulator został wyjęty.

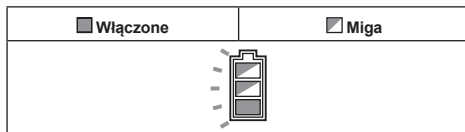
Układ zabezpieczający urządzenia/akumulatora

Urządzenie jest wyposażone w układ zabezpieczający urządzenia/akumulatora. Układ automatycznie odcina zasilanie silnika w celu wydłużenia trwałości urządzenia i akumulatora. Urządzenie zostanie automatycznie zatrzymane podczas pracy w następujących sytuacjach związanych z urządzeniem lub akumulatorem:

Zabezpieczenie przed przeciążeniem

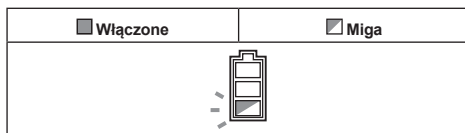
W przypadku użytkowania urządzenia w sposób powodujący nadmiernie wysoki pobór prądu urządzenie zostanie automatycznie zatrzymane. W takiej sytuacji należy wyłączyć urządzenie i zaprzestać wykonywania czynności powodującej jego przeciążenie. Następnie należy włączyć urządzenie w celu ponownego uruchomienia.

Zabezpieczenie przed przegrzaniem



W przypadku przegrzania urządzenie zostanie automatycznie zatrzymane, a wskaźnik akumulatora będzie migać przez około 60 s. W takiej sytuacji przed ponownym włączeniem należy poczekać, aż urządzenie ostygnie.

Zabezpieczenie przed nadmiernym rozładowaniem



W przypadku niskiego poziomu naładowania akumulatora urządzenie zostanie automatycznie zatrzymane, a wskaźnik akumulatora będzie migać przez około 60 s. Jeśli produkt nie działa pomimo włączenia przełączników, należy wyjąć akumulator i go naładować.

Wskazanie stanu naładowania akumulatora

Nacisnąć przycisk kontrolny na akumulatorze w celu wyświetlenia stanu naładowania akumulatora. Lampki wskaźnika zaświecą się przez kilka sekund.

► **Rys.15:** 1. Lampki wskaźnika 2. Przycisk kontrolny

Lampki wskaźnika			Pozostała energia akumulatora
Świeci się	Wyłączony	Miga	
■	□	◐	
■ ■ ■ ■			75–100%
■ ■ ■ □			50–75%
■ ■ □ □			25–50%
■ □ □ □			0–25%
◐ □ □ □			Naładować akumulator.
■ ■ □ □			Akumulator może nie działać poprawnie.
□ □ ■ ■	↑ ↓		

WSKAZÓWKA: Zależnie od warunków użytkowania i temperatury otoczenia, wskaźwany poziom może nieznacznie się różnić od rzeczywistego stanu naładowania akumulatora.

WSKAZÓWKA: Pierwsza (skrajnie po lewej stronie) lampka wskaźnika miga, gdy układ zabezpieczenia akumulatora jest aktywny.

Panel wskaźników

► **Rys.16:** 1. Tryb pracy 2. Nadmierny poziom pyłu 3. Błąd szczotki obrotowej 4. Stan naładowania akumulatora 5. Przycisk sprawdzenia naładowania akumulatora/lampki

Tryb pracy

Aby zmienić tryb pracy, należy zapoznać się z sekcją dotyczącą działania przełącznika.

Nadmierny poziom pyłu

Jeśli ten wskaźnik świeci, należy wymienić worek filtracyjny. (Więcej informacji zawiera sekcja dotycząca wyjmowania worka filtracyjnego).

WSKAZÓWKA: Ten wskaźnik może nie działać w zależności od środowiska eksploatacji.

WSKAZÓWKA: Wskaźnik zgaśnie automatycznie po upływie około minuty od wyłączenia urządzenia. Po wyczyszczeniu zatkanego worka filtracyjnego i zrestartowaniu urządzenia wskaźnik zgaśnie nawet przed upływem jednej minuty.

Błąd szczotki obrotowej

Miga	Szczotka obrotowa z jakiegoś powodu znajduje się pod dużym obciążeniem.
Wł.	Szczotka obrotowa została zatrzymana na skutek nieprawidłowości.





⚠ OSTRZEŻENIE: Jeśli ta lampka zaświeci się podczas pracy, należy niezwłocznie wyłączyć urządzenie. W przeciwnym razie może dojść do awarii silnika i pożaru.

WSKAZÓWKA: Lampka może migać, jeśli szczotka obrotowa znajduje się zbyt nisko względem powierzchni dywanu. W takim przypadku należy dostosować wysokość szczotki obrotowej.

Stan naładowania akumulatora

Podczas pracy należy nacisnąć przycisk sprawdzenia naładowania akumulatora/lampki, aby sprawdzić stan naładowania akumulatora.

► **Rys.17**

Stan wskaźnika akumulatora			Stan naładowania akumulatora
Włączony	Wyłączony	Miga	
■	□	◐	50% do 100%
			
			20% do 50%
			0% do 20%
			Naładować akumulator.

Przycisk sprawdzenia naładowania akumulatora/lampki

Można wykonywać następujące działania.

- Wystarczy nacisnąć przycisk, aby sprawdzić stan naładowania akumulatora.
- Naciśnięcie i przytrzymanie przycisku podczas pracy pozwala włączyć/wyłączyć lampki.

Działanie przełącznika

► **Rys.18:** 1. Przycisk zmiany trybu 2. Przycisk WŁ./WYŁ.

Włączanie/wyłączanie urządzenia

Aby włączyć lub wyłączyć urządzenie, należy nacisnąć przycisk WŁ./WYŁ.

⚠ PRZESTROGA: Podczas włączania urządzenia jego głowica powinna znajdować się na podłodze. W przeciwnym razie może dojść do wypadku związanego z wciągnięciem i obrażeń ciała.

Zmiana trybu pracy

Dostępne są trzy poniższe tryby pracy:

1. Niski poziom hałasu
2. Poziom normalny
3. Poziom wysoki

Aby zmienić tryb pracy, należy nacisnąć przycisk zmiany trybu. Tryb pracy można zmienić nawet wtedy, gdy urządzenie jest wyłączone. Urządzenie uruchomi się w ustawionym trybie.

WSKAZÓWKA: Odkurzacz uruchamia się w trybie ustawionym podczas ostatniego działania. Wyjęcie akumulatora podczas pracy silnika po wyłączeniu może spowodować, że odkurzacz nie uruchomi się w trybie ustawionym podczas ostatniego działania.

Włączanie/wyłączanie lampki

⚠ PRZESTROGA: Nie patrzeć na światło ani bezpośrednio na źródło światła.

Urządzenie jest wyposażone w lampki. Informacje o ich działaniu można znaleźć w punkcie dotyczącym przycisku sprawdzenia naładowania akumulatora/lampki.

► **Rys.19:** 1. Lampka

Dźwignia nożna

⚠ PRZESTROGA: Kiedy urządzenie nie jest przytrzymywane za uchwyt, należy zawsze zablokować je w położeniu pionowym. W przeciwnym razie urządzenie może przypadkowo upaść i spowodować obrażenia.

⚠ PRZESTROGA: Należy zachować ostrożność, aby nie ścisnąć palców pomiędzy korpusem a głowicą urządzenia.

Aby odblokować urządzenie z położenia pionowego, należy nacisnąć stopą dźwignię nożną i pociągnąć uchwyt do tyłu. Zakres ruchów wynosi 90 stopni od położenia pionowego.

► **Rys.20:** 1. Dźwignia nożna

Aby zablokować urządzenie w położeniu pionowym, należy podnieść uchwyt do przodu, tak aby dźwignia nożna zablokowała się (kliknięcie).

► **Rys.21**

⚠ PRZESTROGA: Przed rozpoczęciem pracy należy odblokować dźwignię nożną. Niebale i agresywne użytkowanie może spowodować uszkodzenie części.

► **Rys.22**




WSKAZÓWKA: Po ustawieniu urządzenia pionowo szczotka obrotowa przestaje się obracać.

Regulacja wysokości szczotki obrotowej

⚠ PRZESTROGA: Przed rozpoczęciem pracy zawsze należy się upewnić, czy dźwignia regulacji jest ustawiona we właściwym położeniu.

Wysokość szczotki obrotowej można regulować w 5 krokach.

Należy ustawić dźwignię regulacji w żądanej pozycji, korzystając z poniższej tabeli.

Pozycja dźwigni regulacji	Wysokość szczotki obrotowej
A 	Szczotka obrotowa znajduje się na najwyższej możliwej wysokości względem podłogi — takie ustawienie jest odpowiednie do czyszczenia dywanów z długim włosiem.
B 	Szczotka obrotowa znajduje się bliżej podłogi — takie ustawienie jest odpowiednie do czyszczenia twardych podłóg i dywanów z krótkim włosiem.
C 	Szczotka obrotowa jest wysuwana w celu ustawienia jak najbliższej podłogi — takie ustawienie sprawdza się podczas głębokiego czyszczenia dywanów i usuwania brudu, pyłu i innych cząstek głęboko osadzonych we włóknach.

► **Rys.23:** 1. Dźwignia regulacji

WSKAZÓWKA: Szczotka obrotowa może się nie obracać, jeśli znajduje się zbyt nisko względem powierzchni dywanu.

Uchwyt do przenoszenia

Podczas przenoszenia urządzenia należy popychać je tylko na kółkach samonastawnych lub przytrzymywać za uchwyt do przenoszenia.

► **Rys.24**

⚠ PRZESTROGA: Przed przeniesieniem urządzenia należy zablokować je w położeniu pionowym. W przeciwnym razie może dojść do upadku.

⚠ PRZESTROGA: Podczas przenoszenia należy przytrzymywać urządzenie wyłącznie za uchwyt do przenoszenia. W przeciwnym razie może dojść do upadku lub przypadkowego uruchomienia prowadzącego do obrażeń.

► **Rys.25**

OBSŁUGA

⚠ PRZESTROGA: Podczas pracy nie należy wyciągać pręta uchwytu z urządzenia. Grozi to utratą kontroli nad urządzeniem i może prowadzić do poważnych obrażeń ciała.

⚠ PRZESTROGA: Nie należy wkładać rąk ani nóg pod urządzenie podczas pracy. W przeciwnym razie może dojść do ściśnięcia.

⚠ PRZESTROGA: Nie używać urządzenia przy niedostatecznym oświetleniu. Praca przy zbyt słabym oświetleniu może doprowadzić do nieprzewidzianego wypadku.

Normalne czyszczenie

1. Należy przytrzymać uchwyt, a następnie odblokować urządzenie z położenia pionowego.
 2. Włączyć urządzenie. Wyczyścić podłogę.
- Rys.26

Użycie szczotki bocznej

Szczotka boczna przydaje się do czyszczenia podłogi bezpośrednio przy ścianie. Jeśli szczotka boczna stanie się krótka, należy przekazać urządzenie do serwisu Makita w celu wymiany.

► Rys.27: 1. Szczotka boczna

Praca z użyciem akcesoriów

⚠ PRZESTROGA: Podczas korzystania z akcesoriów należy przytrzymać urządzenie za uchwyt. W przeciwnym razie urządzenie może przypadkowo upaść i spowodować obrażenia.

UWAGA: Podczas korzystania z akcesoriów należy zablokować urządzenie w położeniu pionowym. W przeciwnym razie obracająca się szczotka obrotowa może doprowadzić do uszkodzenia podłogi.

Korzystanie z rury aluminiowej

Rura aluminiowa jest odpowiednia do sprzątania w ciasnych miejscach lub w miejscach położonych wysoko.

► Rys.28: 1. Rura aluminiowa

Korzystanie z węża

Wąż jest odpowiedni do czyszczenia w niedużych odległościach.

► Rys.29: 1. Wąż

Aby korzystać z węża, należy wyjąć go z aluminiowej rury, naciskając dźwignię.

► Rys.30: 1. Dźwignia

Aby podłączyć wąż, należy włożyć go do rury aluminiowej (kliknięcie).

► Rys.31

Korzystanie z przystawek

► Rys.32

Ab podłączyć przystawkę, należy ją przekręcić i dokładnie włożyć do rury aluminiowej lub węża. Aby odłączyć przystawkę, należy ją przekręcić i wyjąć.

KONSERWACJA

⚠ PRZESTROGA: Przed przystąpieniem do przeglądu urządzenia lub jego konserwacji upewnić się, że jest ono wyłączone, a akumulator wyjęty.

UWAGA: Nie stosować benzyny, rozpuszczalników, alkoholu itp. środków. Mogą one powodować odbarwienia, odkształcenia lub pęknięcia.

W celu zachowania odpowiedniego poziomu BEZPIECZEŃSTWA i NIEZAWODNOŚCI produktu wszelkie naprawy i różnego rodzaju prace konserwacyjne lub regulacje powinny być przeprowadzane przez autoryzowany lub fabryczny punkt serwisowy narzędzi Makita, zawsze z użyciem oryginalnych części zamiennych Makita.

Przechowywanie

Na czas przechowywania należy wyjąć akumulator i umieścić urządzenie na płaskiej powierzchni, ustawiając je pionowo.

► Rys.33

Czyszczenie korpusu urządzenia

Od czasu do czasu należy przetrzeć zewnętrzną powierzchnię odkurzacza (korpusu odkurzacza) ściereczką zwilżoną wodą z mydłem.

► Rys.34

Czyszczenie filtra HEPA

⚠ PRZESTROGA: Nie używać odkurzacza bez filtra ani nie kontynuować użytkowania z brudnym lub uszkodzonym filtrem. Zebrany pył i zanieczyszczenia mogą być wyrzucane z odkurzacza, stając się przyczyną chorób układu oddechowego operatora.

UWAGA: W celu utrzymania optymalnej siły ssania i czystego powietrza wydmuchiwanego z odkurzacza należy okresowo czyścić filtr. Jeśli pomimo wyczyszczenia filtra siła ssania dalej nie jest wysoka, należy wymienić filtr na nowy.

UWAGA: Aby nie dopuścić do uszkodzenia filtra, nie należy używać do jego czyszczenia następujących narzędzi i podobnych przedmiotów:

- Odpylacz powietrzny
- Myjka wysokociśnieniowa
- Narzędzia wykonane z twardych materiałów, takie jak szczotka druciana

1. Otworzyć pokrywę pojemnika na pył i wyjąć worek filtracyjny.

Zwolnić zaczepy na filtrze i wyjąć filtr z korpusu urządzenia.

► Rys.35: 1. Zaczep

2. Wyrzepać pył z filtra. Filtr można umyć wodą. Wypłukiwać pył i zanieczyszczenia z filtra co 1–2 miesiące. Następnie filtr należy dokładnie wysuszyć w osłoniętym, dobrze wentylowanym miejscu, aby nie dopuścić do powstania nieprzyjemnego zapachu i nieprawidłowego działania.

3. Aby zainstalować filtr, wsunąć część bez zaczepów do rowka i wcisnąć filtr, aż zaczepy zablokują się, co jest sygnalizowane kliknięciem.

► Rys.36: 1. Rowek 2. Filtr HEPA 3. Zaczep

Czyszczenie szczotki obrotowej

1. Wyjąć płytę dolną, a następnie wyjąć szczotkę obrotową.

Jeśli włosy szczotki obrotowej są krótkie, należy zwrócić się do serwisu Makita w celu uzyskania nowej.

Eksploatacja urządzenia z krótkimi włosami szczotki obrotowej spowoduje pogorszenie wydajności zbierania pyłu.

► **Rys.37:** 1. Płyta dolna 2. Szczotka obrotowa

2. Należy usunąć nici i włosy ze szczotki obrotowej, używając nożyczek.

Zdjąć osłonę i usunąć zanieczyszczenia.

► **Rys.38:** 1. Osłona

3. Założyć osłonę, szczotkę obrotową i płytę dolną, wykonując powyższe czynności w odwrotnej kolejności.

► **Rys.39**

⚠ PRZESTROGA: Wsunąć płytę dolną z powrotem na odpowiednią pozycję, aż dwie dźwignie blokady zatrzasną się na swoim miejscu. Jeśli urządzenie pracuje bez płyty dolnej, szczotka obrotowa może spaść i spowodować obrażenia.

► **Rys.40:** 1. Płyta dolna 2. Dźwignia blokady

UWAGA: Szczotka obrotowa powinna być zawsze zamocowana. Eksploatacja urządzenia bez szczotki obrotowej spowoduje pogorszenie wydajności zbierania pyłu.

Jak usunąć zatkanie

UWAGA: Nie należy korzystać z urządzenia z zatkanym kanałem wlotu powietrza. Kontynuowanie pracy z zatkanym kanałem wlotu powietrza spowoduje obniżenie siły ssania.

1. Wyjąć płytę dolną, a następnie wyjąć szczotkę obrotową.

2. Należy wyjąć rurę aluminiową z urządzenia i z węża.

3. Przekręcić wąż w lewo, a następnie wyjąć wąż z urządzenia.

4. Wyjąć wąż ssący, ciągnąc za zaczep.

► **Rys.41:** 1. Płyta dolna 2. Szczotka obrotowa
3. Rura aluminiowa 4. Wąż 5. Wąż ssący
6. Zaczep

5. Sprawdzić kanał wlotu powietrza wewnątrz rury aluminiowej i węża ssącego.

Usunąć zanieczyszczenia z ich wnętrza.

6. Wyrównać występ w wężu ssącym z rowkiem w obudowie i wsunąć go na miejsce.

► **Rys.42:** 1. Występ 2. Rowek

7. Założyć wąż, rurę aluminiową, szczotkę obrotową i płytę dolną.

⚠ PRZESTROGA: Dokładnie zamontować wąż i rurę. W przeciwnym razie pył może wydostawać się na zewnątrz i może dojść do obrażeń.

Worek na pył

Aksesoria opcjonalne

Worek na pył można czyścić i używać go wielokrotnie.

Zakładanie i wyjmowanie worka na pył

Procedura zakładania i wyjmowania worka na pył jest taka sama jak w przypadku worka filtracyjnego. Szczegóły znajdują się w sekcji dotyczącej zakładania worka filtracyjnego i wyjmowania worka filtracyjnego.

► **Rys.43:** 1. Worek na pył 2. Nasadka gumowa

UWAGA: Przed założeniem worka na pył należy otworzyć nasadkę gumową. Worek na pył należy zakładać z nasadką gumową znajdującą się z tyłu.

Opróżnianie worka na pył

1. Zamknąć nasadkę gumową, aby zapobiec unoszeniu się pyłu.

2. Otworzyć otwór worka, zdejmując element złączny.

3. Opróżnić worek na pył i lekko go wytrząść, aby usunąć cząstki pyłu przylegające do wnętrza.

► **Rys.44:** 1. Worek na pył 2. Nasadka gumowa
3. Element złączny

UWAGA: Worek na pył należy często opróżniać. Zbyt duża ilość pyłu może z łatwością rozerwać worek.

Czyszczenie worka na pył

Worek na pył należy czyścić regularnie mydłem i wodą. Odwrócić worek na pył na drugą stronę i usunąć zalegający pył. Umyć worek ręcznie i wypłukać w wodzie. Całkowicie wysuszyć worek przed umieszczeniem go w odkurzaczu.

► **Rys.45**

UWAGA: Wilgotny worek na pył zmniejsza skuteczność odkurzania i skraca czas eksploatacji silnika.

UWAGA: Przy zakładaniu elementu złącznego na worek na pył należy upewnić się, że otwór worka jest dokładnie zamknięty.

PRZYSTAWKA CYKLON

Akcesoria opcjonalne

► **Rys.46:** 1. Przystawka Cyklon

Przystawka Cyklon — informacje

Eksploatacja odkurzacza z zamontowaną przystawką Cyklon redukuje ilość kurzu przedostającego się do worka filtracyjnego, co zapobiega osłabieniu siły ssania. Ponadto czyszczenie po użyciu jest bardzo łatwe.

⚠ PRZESTROGA: Przed przystąpieniem do jakichkolwiek prac przy narzędziu upewnić się, że jest ono wyłączone, a akumulator został wyjęty. Pozostawienie włożonego akumulatora może doprowadzić do nieoczekiwanego uruchomienia odkurzacza i spowodować obrażenia.

⚠ PRZESTROGA: W przypadku zatkania filtra siatkowego przystawki Cyklon i worka filtracyjnego odkurzacza należy je wyczyścić. Dalsza eksploatacja z zatkanyimi elementami może doprowadzić do przegrzania lub powstania dymu.

UWAGA: Po zamontowaniu przystawki Cyklon nie należy używać tej przystawki ustawionej poziomo lub zwróconej w górę. W przeciwnym razie może dojść do zatkania filtra siatkowego.

UWAGA: Podczas korzystania z odkurzacza worek filtracyjny powinien być zawsze założony, nawet w przypadku zamontowania przystawki Cyklon. Eksploatacja odkurzacza bez założonego worka filtracyjnego może spowodować usterkę silnika.

WSKAZÓWKA: Przed rozpoczęciem pracy należy sprawdzić, czy przystawka Cyklon, odkurzacz i rura prosta są prawidłowo zablokowane.

WSKAZÓWKA: W przypadku nagromadzenia kurzu w pojemniku na pył przystawki Cyklon i worku filtracyjnym odkurzacza należy je opróżnić. Dalsza praca bez uprzedniego wykonania tej czynności spowoduje osłabienie siły ssania.

Zakładanie przystawki Cyklon

- Obrócić końcówkę węża w lewo i odłączyć wąż, rękojęść rury oraz rurę aluminiową od urządzenia.
► **Rys.47:** 1. Końcówka 2. Wąż 3. Rękojęść rury 4. Rura aluminiowa
- Ustawić przystawkę Cyklon końcem z ogranicznikiem skierowanym do góry, wyrównując ogranicznik z rowkiem otworu zasysania. Zablokować ogranicznik, wsuwając przystawkę Cyklon do momentu usłyszenia kliknięcia. Delikatnie pociągnąć przystawkę Cyklon, aby upewnić się, że się nie zsunie. Zamontować rurę prostą w ten sam sposób co przystawkę Cyklon.
► **Rys.48:** 1. Rękojęść przystawki Cyklon 2. Otwór zasysania 3. Przystawka Cyklon 4. Rura prosta przystawki Cyklon 5. Ogranicznik 6. Przycisk blokady
- Przymocować przystawkę Cyklon do urządzenia, a następnie obrócić końcówkę węża w prawo, aby ją zablokować.
► **Rys.49**

Usuwanie kurzu

Po nagromadzeniu się kurzu do poziomu linii napełnienia pojemnika na pył należy wykonać poniższą procedurę i usunąć kurz.

- Należy mocno przytrzymać pojemnik na pył, naciśnąc i przytrzymać dwa przyciski i wyjąć pojemnik na pył.
► **Rys.50:** 1. Linia napełnienia 2. Pojemnik na pył 3. Przycisk (dwa miejsca) 4. Filtr siatkowy
- Wyrzucić kurz z pojemnika na pył i usunąć kurz i pył przylegający do powierzchni filtra siatkowego.
- Włóż pojemnik na pył do końca, aż dwa przyciski zablokują się (kliknięcie).
► **Rys.51:** 1. Pojemnik na pył 2. Przycisk (dwa miejsca)

WSKAZÓWKA: Podczas wkładania pojemnika na pył należy mocno trzymać przystawkę Cyklon.

WSKAZÓWKA: Przed wznowieniem pracy należy sprawdzić, czy przystawka Cyklon, odkurzacz i rura prosta są prawidłowo zablokowane.

WSKAZÓWKA: Gdy pojemnik na pył przystawki Cyklon zostanie zapełniony, wskaźnik nadmiernego poziomu pyłu na odkurzaczu nie zaświeci się.

WSKAZÓWKA: W przypadku wystąpienia jednej z poniższych sytuacji należy sprawdzić, czy we wnętrzu worka filtracyjnego odkurzacza nie doszło do nagromadzenia pyłu lub czy ścieżka powietrza nie została zatkana. W razie potrzeby należy usunąć przyczynę tej sytuacji.

- Po usunięciu pyłu z pojemnika na pył oraz wyczyszczeniu filtra siatkowego nie doszło do poprawy wydajności ssania.
- Wskaźnik nadmiernego poziomu pyłu na odkurzaczu nie przestaje świecić.

Czyszczenie

Jeśli pojemnik na pył ulegnie zanieczyszczeniu lub filtr siatkowy zatka się, należy je wyjąć i wymyć wodą. (Procedurę wyjmowania opisano w punkcie „Usuwanie kurzu”).

Przed ponownym zamontowaniem i użyciem części należy dokładnie osuszyć.

► **Rys.52:** 1. Pojemnik na pył 2. Filtr siatkowy

Jeśli filtr siatkowy ulegnie mocnemu zanieczyszczeniu, należy oczyścić go według następującej procedury.

- Przekręcić filtr siatkowy w lewo i wyjąć go po odblokowaniu zaczepów.
► **Rys.53:** 1. Filtr siatkowy 2. Zaczep
- Usunąć kurz nagromadzony w filtrze siatkowym, po czym umyć filtr wodą. Następnie dokładnie go osuszyć.
- Włóż filtr siatkowy do podstawy, tak aby zaczepy były ustawione w linii z przyłączem. Przekręć filtr siatkowy w prawo, tak aby zaczepy zablokowały się (kliknięcie). Upewnij się, że filtr siatkowy jest prawidłowo zamontowany.
► **Rys.54:** 1. Filtr siatkowy 2. Zaczep 3. Przyłącze

ROZWIĄZYWANIE PROBLEMÓW

Przed oddaniem maszyny do naprawy należy najpierw przeprowadzić samodzielłą kontrolę. W razie napotkania problemu, który nie został wyjaśniony w instrukcji, nie należy próbować demontować maszyny we własnym zakresie. Należy natomiast zlecić naprawę w autoryzowanym centrum serwisowym firmy Makita; zawsze z użyciem oryginalnych części zamiennych Makita.

Objaw	Możliwa przyczyna	Rozwiązanie
Nie działa	Akumulator jest nieprawidłowo włożony.	Włożyć akumulator zgodnie z opisem w niniejszej instrukcji.
	Akumulator jest wyczerpany.	Naładować akumulator.
	Uchwyt jest włożony nieprawidłowo.	Włożyć uchwyt dokładnie, zgodnie z opisem w niniejszej instrukcji.
Szczotka obrotowa nie obraca się	Urządzenie jest zablokowane w położeniu pionowym.	Odblokować urządzenie z położenia pionowego.
	Wskaźnik błędu szczotki obrotowej świeci.	Sprawdzić, czy coś nie owinięło się wokół szczotki obrotowej (korpusu, osłony i łącznika).
Słaba siła ssania	Świeci wskaźnik nadmiernego poziomu pyłu.	Wymienić worek filtracyjny. Jeśli worek filtracyjny nie jest pełny, należy go rozłożyć i potrząsnąć nim, aby usunąć przyczynę zatkania.
	⇒ Jeśli wymiana worka filtracyjnego nie rozwiąże problemu...	Wyczyścić lub wymienić filtr HEPA. Sprawdzić, czy nie rura i wąż nie są zatkane przez zanieczyszczenia.
	Wokół szczotki obrotowej zaplały się zanieczyszczenia i nastąpiło zmniejszenie prędkości obrotowej.	Sprawdzić, czy coś nie owinięło się wokół szczotki obrotowej (korpusu, osłony i łącznika).
	Wysokość szczotki obrotowej względem podłogi jest zbyt duża.	Obniżyć wysokość szczotki obrotowej.
	Doszło do skrócenia włosów szczotki obrotowej.	Wymienić szczotkę obrotową. Obniżyć wysokość szczotki obrotowej.
	Urządzenie działa w trybie niskiego poziomu.	Zmienić tryb pracy na wyższy.
	Nie założono szczotki obrotowej.	Zamontować szczotkę obrotową.
	Rura lub wąż są nieprawidłowo zamontowane.	Zamontować rurę lub wąż w prawidłowy sposób.
	Hałas podczas jazdy	Urządzenie działa w trybie wysokiego poziomu.
Wokół szczotki obrotowej owinięły się zanieczyszczenia.		Sprawdzić, czy coś nie owinięło się wokół szczotki obrotowej (korpusu, osłony i łącznika).
Worek filtracyjny jest wypełniony pyłem.		Wymienić worek filtracyjny. Wyczyścić lub wymienić filtr HEPA. Sprawdzić, czy nie rura i wąż nie są zatkane przez zanieczyszczenia.
⇒ Jeśli wymiana worka filtracyjnego nie rozwiąże problemu...		
Wskaźnik nadmiernego poziomu pyłu miga po krótkim czasie eksploatacji	Worek filtracyjny jest złożony.	Rozłożyć worek filtracyjny przed jego włożeniem.
Lampka nie włącza się	Lampka jest wyłączona.	Podczas pracy należy nacisnąć i przytrzymać przycisk sprawdzenia naładowania akumulatora/lampki, aby włączyć lampkę.
Trudności w poruszaniu kółka samonastawnego	Wokół kółka samonastawnego owinięły się zanieczyszczenia.	Usunąć zanieczyszczenia nagromadzone wokół kółka samonastawnego.

AKCESORIA OPCJONALNE

⚠ PRZESTROGA: Zaleca się stosowanie wymienionych akcesoriów i przystawek razem z narzędziem Makita opisanym w niniejszej instrukcji. Stosowanie innych akcesoriów lub przystawek może być przyczyną obrażeń ciała. Akcesoria lub przystawki należy wykorzystywać tylko zgodnie z ich przeznaczeniem.

W razie potrzeby wszelkiej pomocy i szczegółowych informacji na temat niniejszych akcesoriów udzieli Państwu lokalne punkty serwisowe Makita.

- Końcówka szczelinowa
- Szczotka okrągła

- Przystawka Cyklon
- Filtr HEPA
- Worek filtracyjny
- Worek na pył
- Oryginalny akumulator i ładowarka firmy Makita

WSKAZÓWKA: Niektóre pozycje znajdujące się na liście mogą być dołączone do pakietu narzędziowego jako akcesoria standardowe. Mogą to być różne pozycje, w zależności od kraju.

FIGYELMEZTETÉS

- Európai felhasználóknak: A készüléket nem használhatják 8 évnél fiatalabb gyermekek, valamint csökkent fizikai, érzékelési vagy értelmi képességű személyek, illetve olyanok, akiknek nincs meg a tapasztalatuk és tudásuk ehhez, kivéve, ha valaki a biztonságos használatra megtanítja őket, ismerteti velük a lehetséges veszélyeket, és a használat közben felügyeli őket. Gyermekek ne játszanak a készülékkel. A készülék tisztítását és karbantartását felügyelet nélküli gyermekek ne végezzék.
- Európán kívüli területek felhasználói részére: A készüléket nem használhatják csökkent fizikai, érzékelési vagy értelmi képességű személyek (a gyerekeket is beleértve), vagy akiknek nincs meg a tapasztalatuk és tudásuk ehhez; kivéve, ha az ön biztonságáért felelős személy a használatra megtanítja, vagy a használat közben felügyeli őket.
- Vigyázni kell arra, hogy gyermekek ne játszhassanak a készülékkel.
- VIGYÁZAT: Bármilyen karbantartási művelet elvégzése előtt válassza le a készüléket a tápfeszültségről. Rendszeresen végezze el a készülék karbantartását.
- Az újratölthető akkumulátorokat töltés előtt ki kell venni az eszközből.
- Az akkumulátor eltávolításához vagy visszahelyezéséhez csúsztassa ki az akkumulátort az eszközből, közben nyomja meg az akkumulátor elején lévő gombot.
- A lemerült akkumulátorokat ki kell venni az eszközből, és biztonságosan meg kell őket semmisíteni. Kövesse az akkumulátorok ártalmatlanítására vonatkozó helyi előírásokat.
- Ha az eszközt hosszabb ideig használaton kívül tárolják, az akkumulátorokat ki kell venni.
- A tápcsatlakozókat nem szabad rövidre zární.

Alkalmazható akkumulátorok és töltők

Akkumulátor	BL4020 / BL4025 / BL4040 / BL4040F / BL4050F / BL4080F
Töltő	DC40RA / DC40RB / DC40RC

- Lakóhelyétől függően előfordulhat, hogy a fent felsorolt akkumulátorok és töltők nem érhetőek el.

▲ FIGYELMEZTETÉS: Csak a fentiekben felsorolt akkumulátorokat és töltőket használja. Bármilyen más akkumulátor vagy töltő használata sérüléseket és/vagy tüzet okozhat.

RÉSZLETES LEÍRÁS

Típus:	VC010G
Maximális légterfogat ^{*1}	1,8 m ³ /min
Vákuum ^{*1}	15 kPa
Kapacitás	5 l
Méret (H x Sz x M)	326 mm x 381 mm x 1 146 mm
Névleges feszültség	36 V - 40 V max., egyenáram
Nettó tömeg	8,0 - 9,2 kg

^{*1} Az értéket eredeti módszerünkkel mértük.

- Folyamatos kutató- és fejlesztőprogramunk eredményeként az itt felsorolt tulajdonságok figyelmeztetés nélkül megváltozhatnak.
- A műszaki adatok országról országra különbözhetnek.
- A súly a tartozékokkal (körkefe, saroktisztító fej) és akkumulátorokkal együtt értendő. A készülék és az akkumulátor(ok) súlyának kombinációi a táblázatban láthatók.

Szimbólumok

A következőkben a berendezésen esetleg használt jelképek láthatók. A szerszám használata előtt bizonyosodjon meg arról hogy helyesen értelmezi a jelentésüket.



Olvassa el a használati utasítást.



Legyen különösen elővigyázatos és figyelmes.



A termékhez használandó akkumulátortípus.



Csak EU-tagállamok számára Mivel a berendezésben veszélyes alkatrészek vannak, az elektromos és elektronikus berendezések, akkumulátorok és elemek hulladékaik negatív hatással lehetnek a környezetre és az emberi egészségre. Az elektromos és elektronikus készülékeket vagy akkumulátorokat ne dobja a háztartási szemétkébe! Az elektromos és elektronikus berendezések hulladékairól és az akkumulátorokról és elemekről, valamint az akkumulátorok és elemek hulladékáról szóló európai irányelvnek, valamint a nemzeti jogszabályokhoz történő adaptálásának megfelelően a használt elektromos berendezéseket, elemeket és akkumulátorokat külön kell tárolni, és a települési hulladék elkönyvelt gyűjtőhelyére kell szállítani a környezetvédelmi előírásoknak megfelelően. Ezt jelzi a berendezésen elhelyezett áthúzott kerek kuka szimbólum.

Rendeltetés

A készülék száraz por összegyűjtésére szolgál. A készülék ipari célokra, például szállodákban, iskolákban, kórházakban, gyárakban, üzletekben, hivatalokban és kölcsönzőkben való használatra alkalmas.

Zaj

A tipikus A-súlyozású zajszint, a IEC60335-2-69 szerint meghatározva:

Hangnyomásszint (L_{pA}): 70 dB(A) vagy kisebb
Bizonytalanság (K): 2,5 dB(A)

A zajszint a munkavégzés során meghaladhatja a 80 dB (A) értéket.

MEGJEGYZÉS: A zajkibocsátás értéke a szabványos vizsgálati eljárásnak megfelelően lett mérve, és segítségével az elektromos kéziszerszámok összehasonlíthatók egymással.

MEGJEGYZÉS: A zajkibocsátás értékének segítségével előzetesen megbecsülhető a rezgésnek való kitettség mértéke.

FIGYELMEZTETÉS: Viseljen fülvédőt!

FIGYELMEZTETÉS: A szerszám zajkibocsátása egy adott alkalmazásnál eltérhet a megadott értéktől a használat módjától, különösen a feldolgozott munkadarab fajtájától függően.

FIGYELMEZTETÉS: Határozza meg a kezelő védelmét szolgáló munkavédelmi lépéseket, melyek az adott munkafeltételek mellett a rezgés hatás becsült mértékén alapulnak (figyelembe véve a munkaciklus elemeit, mint például a gép leállításának és üresjáratának mennyiségét az elindítások száma mellett).

Vibráció

A vibráció teljes értéke (háromtengelyű vektorösszeg) az IEC60335-2-69 szerint meghatározva:

Rezgéskibocsátás ($a_{h,MS}$): 2,5 m/s^2 vagy kisebb
Bizonytalanság (K): 1,5 m/s^2

MEGJEGYZÉS: A rezgés teljes értéke a szabványos vizsgálati eljárásnak megfelelően lett mérve, és segítségével az elektromos kéziszerszámok összehasonlíthatók egymással.

MEGJEGYZÉS: A rezgés teljes értékének segítségével előzetesen megbecsülhető a rezgésnek való kitettség mértéke.

FIGYELMEZTETÉS: A szerszám rezgés-kibocsátása egy adott alkalmazásnál eltérhet a megadott értéktől a használat módjától, különösen a feldolgozott munkadarab fajtájától függően.

FIGYELMEZTETÉS: Határozza meg a kezelő védelmét szolgáló munkavédelmi lépéseket, melyek az adott munkafeltételek mellett a rezgés hatás becsült mértékén alapulnak (figyelembe véve a munkaciklus elemeit, mint például a gép leállításának és üresjáratának mennyiségét az elindítások száma mellett).

Megfelelőségi nyilatkozatok

Csak európai országokra vonatkozóan

A megfelelőségi nyilatkozatok a jelen használati kézikönyv „A” mellékletében található.

BIZTONSÁGI FIGYELMEZTETÉS

A vezeték nélküli porszívóra vonatkozó biztonsági figyelmeztetések

FIGYELMEZTETÉS: FONTOS: HASZNÁLAT ELŐTT MINDENKÉPP OLVASSA EL az összes biztonsági figyelmeztetést és utasítást. Ha nem tartja be a figyelmeztetéseket és utasításokat, akkor áramütés, tűz és/vagy súlyos sérülés következhet be.

1. A porszívót csak olyan személyek használhatják, akik ismerik a kezelésére vonatkozó tudnivalókat.
2. Ne használja behelyezett szűrőzsák és szűrő nélkül. Ha a szűrő megsejült, haladéktalanul cserélje ki.
3. KERÜLJE EL A KÉSZÜLÉK VÉLETLENSZERŰ ELINDÍTÁSÁT. Győződjön meg arról, hogy a készülék kikapcsolt állapotban van, mielőtt beleteszi az akkumulátor(oka)t.
4. Ne szívjon fel gyúlékony anyagokat, fűzajtatókat, égő cigarettát, forró hamut, forró fémforgácsot, valamint éles tárgyakat, pl. borotvát, tűt, üvegcserepeket és hasonlókat.

5. **TILOS A PORSZÍVÓT BENZIN, GÁZ, FESTÉK, RAGASZTÓ ÉS MÁR ROBBANÉKONY ANYAGOK KÖZELÉBEN HASZNÁLNI.** A kapcsoló be- és kikapcsoláskor szikrázik. Működés közben a motor kommutátora is szikrákat bocsát ki. A szikrák pedig robbanást okozhatnak.
6. Ez a porszívó nem alkalmas veszélyes por felszívására.
7. Tilos mérgező, rákkeltő, gyúlékony és más veszélyes anyagot, például azbesztet, arzént, báriumot, berilliumot, ólmot, növényvédő szert és más egészségre ártalmas szert felporszívózni.
8. Ne porszívózzon habot, mint például a szőnyeg-tisztítószer stb. Ez robbanást vagy tüzet okozhat.
9. Ne használja kültéren vagy nedves felületen.
10. Finnország esetén a gépet nem szabad kültéren, alacsony hőmérsékleten használni.
11. Ne használja a készüléket tűzhely vagy más hőforrás közelében.
12. Ne zárja el a szívónyílást/kifúvónyílást/szellőzőnyílásokat. Ezeket keresztül hűl a motor. Feltétlenül meg kell akadályozni ezek elzáródását, mert a szellőzés megszűnése a motor leégését okozza.
13. A gégecsövet ne hajlítsa meg, ne húzza és ne lépjen rá.
14. Azonnal kapcsolja ki a porszívót, ha teljesítménye csökken, vagy más rendellenességet észlel működés közben.
15. **TÁVOLÍTSA EL AZ AKKUMULÁTOR(OKA)T.** Amikor a készüléket nem használja, amikor javítást végez rajta, és amikor tartozékokat cserél.
16. Minden használat után tisztítsa meg és vizsgálja át a készüléket, hogy az mindig optimális állapotban legyen.
17. **A PORSZÍVÓ KARBANTARTÁSA.** A hatékony és biztonságos működés érdekében mindig tartsa tisztán a porszívót. Tartsa be a tartozékok cseréjére vonatkozó útmutatásokat. A fogantyúkat/karokat tartsa szárazon, tisztán, valamint olaj- és zsírtmentesen.
18. **A SÉRÜLT ALKATRÉSZEK VIZSGÁLATA.** A porszívó használata előtt vizsgálja meg alaposan a sérült védőburkolatokat vagy más alkatrészeket, és döntse el, hogy működőképesek-e. Ellenőrizze a mozgó részek illeszkedését és rögzítését, az alkatrészek vagy a szerelvények törését vagy bármely olyan körülményt, amely hatással lehet a gép működésére. A sérült védőfelszerelést vagy alkatrészeket hivatalos szervizközpontban megfelelő módon kell javíthatni vagy cseréltetni, kivéve, ha a jelen használati utasítás másként rendelkezik. A hibás kapcsolókat cseréltesse ki hivatalos szervizközpontban. Ne használja a porszívót, ha nem lehet be- vagy kikapcsolni a kapcsolóval.
19. **TARTALÉK ALKATRÉSZEK.** Javításhoz csak az eredetivel azonos tartalék alkatrészeket használjon.
20. Amikor nincs használatban, mindig beltéren tárolja a porszívót.
21. Bánjon óvatosan a porszívóval. A durva kezeléstől még a legmasszívabb kivitelű porszívó is elromolhat.
22. Ne használjon a készülék belső vagy külső részeinek tisztításához benzint, hígítót vagy tisztító vegyszereket. A felsorolt anyagok repedéseket és elszíneződést okozhatnak.
23. Ne használja a porszívót olyan zárt térben, ahol olajbázisú festékek, festékkihígítók, benzin, bizonyos molyirtószeres gyúlékony, robbanékony vagy mérgező gőzöket bocsátanak ki, vagy ahol gyúlékony porok találhatóak.
24. Sem ezt, sem egyéb szerszámot ne használjon gyógyszer vagy alkohol hatása alatt.
25. Viseljen megfelelő védőfelszerelést, például maszkot a használati körülményektől függően.
26. A gépet nem használhatják korlátozott testi és szellemi képességű vagy olyan személyek, akiknek érzékelése nem tökéletes (beleértve a gyerekeket is), illetve nem rendelkeznek megfelelő tapasztalattal és tudással.
27. Ügyelni kell arra, hogy gyermekek ne játszhassanak a porszívóval.
28. Ne nyúljon az akkumulátor(ok)hoz és a porszívóhoz nedves kézzel.
29. Legyen különösen óvatos, ha lépcsőn használja a porszívót.
30. Ne használja a tisztítót instabil vagy ferde helyen, nehogy lessen, mivel az sérülést vagy károsodást okozhat.
31. Mindig megfelelően szilárd helyzetben és egyensúlya megtartásával dolgozzon.
32. Ne használja a porszívót állványként vagy munkafelületként. A gép eldőlhethet, és személyi sérülést okozhat.
33. Tartsa távol minden testrészét és a ruházatát a nyílásoktól és a mozgó alkatrészekről, például a forgó hengerkefétől. Máskülönben beakadhat a készülékbe, és sérülést okozhat.

Akkumulátoros szerszám használata és karbantartása

1. **Csak a gyártó által meghatározott töltővel töltsen fel az akkumulátort.** Egy bizonyos akkumulátortípushoz használható töltő más akkumulátortípussal való használata tűzveszélyt idézhet elő.
2. **A szerszámgépeket kizárólag a meghatározott akkumulátorokkal használja.** Egyéb akkumulátorok használata sérülés vagy tűz kockázatával járhat.
3. **Amikor az akkumulátort nem használja, tartsa távol a többi fémtárgytól, például iratkapcsoktól, érméktől, kulcsoktól, szögektől, csavaroktól vagy egyéb olyan apró fémtárgyaktól, amelyek összekötését hozhatnak létre a pólusok között.** Az akkumulátor pólusainak rövid zárása égési sérüléseket vagy tüzet okozhat.
4. **Helytelen működtetés esetén az akkumulátorból folyadék kerülhet ki; kerülje az ezzel való érintkezést.** Ha véletlenül mégis érintkezésbe kerülne a folyadékkal, mossa le azt vízzel. Ha a folyadék szemébe jut, azonnal forduljon orvoshoz segítségért. Az akkumulátorból származó folyadék irritációt és égéseket okozhat.
5. **Ne használjon sérült vagy módosított akkumulátort vagy szerszámot.** A sérült vagy módosított akkumulátorok váratlan módon viselkedhetnek, melynek következtében tüzet, robbanást vagy sérülést okozhatnak.

6. Ne tegye ki az akkumulátort és a szerszámot nyílt lángnak vagy túlzott hőhatásnak. A tűz hatása és a 130 °C feletti hőmérséklet robbanást okozhat.
7. A töltésre vonatkozó minden utasítást tartson be, ne töltsön az akkumulátort vagy a szerszámot a megadott hőmérséklettartományon kívül. A nem megfelelő módú és nem megfelelő hőmérsékleten történő töltés az akkumulátor károsodásával járhat, valamint tüzet okozhat.

ŐRIZZE MEG EZEKET AZ UTASÍTÁSOKAT.

▲FIGYELMEZTETÉS: NE HAGYJA, hogy (a termék többszöri használatából eredő) kényelem és megszokás váltsa fel a termék biztonsági előírásainak szigorú betartását. A **HELYTELEN HASZNÁLAT** és a használati útmutatóban szereplő biztonsági előírások megszegése súlyos személyi sérülésekhez vezethet.

Fontos biztonsági utasítások az akkumulátorra vonatkozóan

1. Az akkumulátor használata előtt tanulmányozza át az akkumulátortöltőt (1), az akkumulátoron (2) és az akkumulátorral működtetett terméken (3) olvasható összes utasítást és figyelmeztető jelzést.
2. Ne szerelje szét, és ne módosítsa az akkumulátort. Tüzet, túlzott hőt vagy robbanást okozhat.
3. Ha a működési idő nagyon lerövidült, azonnal hagyja abba a használatot. Ez a túlmelegedés, esetleges égések és akár robbanás veszélyével is járhat.
4. Ha elektrolit kerül a szemébe, mossa ki azt tiszta vízzel és azonnal kérjen orvosi segítséget. Ez a látásának elvesztését okozhatja.
5. Ne zárja rövidre az akkumulátort:
 - (1) Ne érjen az érintkezőkhöz elektromosan vezető anyagokkal.
 - (2) Ne tárolja az akkumulátort más fémtárgyakkal, mint pl. szegekkel, érmékkel, stb. egy helyen.
 - (3) Ne tegye ki az akkumulátort víznek vagy esőnek.

Az akkumulátor rövidzárlata nagy áramerősséget, túlmelegedést, égéseket, sőt akár meghibásodást is okozhat.
6. Ne tárolja és használja a szerszámot vagy az akkumulátort olyan helyen, ahol a hőmérséklet elérheti vagy meghaladhatja az 50 °C-t (122 °F).
7. Ne égesse el az akkumulátort még akkor sem, ha az komolyan megsérült vagy teljesen elhasználódott. Az akkumulátor a tűzben felrobbanhat.
8. Ne szúrja meg, ne vágja meg, ne törje össze, ne dobja el és ne ejtse le az akkumulátort, illetve ne üsse hozzá kemény tárgyhoz. Az ilyen magatartás tüzet, túlzott hőt vagy robbanást okozhat.
9. Ne használjon sérült akkumulátort.
10. A készülékben található lítium-ion akkumulátorokra a veszélyes árukkal kapcsolatos előírások vonatkoznak. A termék pl. harmadik felek, fuvarozó cégek stb. által történő szállítása esetén minden esetben tartsa szem előtt a csomagoláson és a címkén található speciális követelményeket.

A termék szállításra történő felkészítése esetén vegye fel a kapcsolatot egy veszélyes anyagokkal foglalkozó szakemberrel. Kérjük, hogy az esetlegesen szigorúbb nemzeti előírásokat is vegye figyelembe. Ragassza le a kiálló érintkezőket, illetve oly módon csomagolja be az akkumulátort, hogy az ne tudjon elmozdulni a csomagolásban.

11. **Az akkumulátor ártalmatlanításakor vegye ki azt a szerszámból, és ártalmatlanítsa egy biztonságos helyen. Az akkumulátor ártalmatlanításakor tartsa be a helyi előírásokat.**
12. **Az akkumulátorokat csak a Makita által megjelölt termékekhez használja.** Ha az akkumulátorokat azokkal nem kompatibilis termékekbe helyezi, az tűzhoz, túlmelegedéshez, robbanáshoz vagy elektrolitszivárgáshoz vezethet.
13. **Ha a szerszám hosszabb ideig nincs használatban, az akkumulátort ki kell venni a szerszámból.**
14. **Használat közben és után az akkumulátor felforrósodhat, ami égési sérülést vagy alacsony hőmérsékletű égési sérülést okozhat. Figyeljen oda a forró akkumulátor kezelésére.**
15. **Ne érintse meg közvetlenül a szerszám érintkezőjét, mert elég forró lehet ahhoz, hogy égési sérüléseket okozzon.**
16. **Ne engedje, hogy forgács, por vagy sár tapadjon az akkumulátor érintkezőire, lyukaiba és hornyába. Az felmelegedést, tüzet, robbanást és a szerszám vagy az akkumulátor meghibásodását okozhatja, ami égési és személyi sérülésekhez vezet.**
17. **Hacsak a szerszám nem támogatja a nagyfeszültségű elektromos vezetékek közelében történő használatot, ne használja az akkumulátort nagyfeszültségű elektromos vezetékek közelében. A szerszám vagy az akkumulátor hibás működését vagy meghibásodását okozhatja.**
18. **Tartsa távol a gyermekektől az akkumulátort.**

ŐRIZZE MEG EZEKET AZ UTASÍTÁSOKAT.

▲VIGYÁZAT: Csak eredeti Makita akkumulátorokat használjon. A nem eredeti Makita akkumulátorok vagy módosított akkumulátorok használata esetén az akkumulátor felrobbanhat, ami tüzet, személyi sérülést és anyagi kárt okozhat. A Makita szerszámra és töltőre vonatkozó Makita garanciát is érvénytelenítheti.

Tippek az akkumulátor maximális élettartamának eléréséhez

1. Töltse fel az akkumulátort, mielőtt teljesen lemerülne. Állítsa le a gépet, és töltsse fel az akkumulátort, ha a gép erejének csökkenését észleli.
2. Soha ne töltsön újra a teljesen feltöltött akkumulátort. A túltöltés csökkenti az akkumulátor élettartamát.
3. Töltsse az akkumulátort szobahőmérsékleten, 10 °C - 40 °C (50 °F - 104 °F) között. Töltés előtt hagyja lehűlni a felforrósodott akkumulátort.
4. Ha nem használja az akkumulátort, vegye ki a szerszámból vagy a töltőből.
5. Töltse fel az akkumulátort, ha hosszabb ideje (több mint hat hónapja) nem használta azt.

ALKATRÉSZEK

► Ábra1

1	Fogantyú	2	Kapcsolólemez	3	Csőfogantyú	4	Gégecső
5	Kijelzőpanel	6	Kar (a portartály fedeléhez)	7	Portartály fedele	8	Hordozó fogantyú
9	Akkumulátor	10	Beállító kar	11	Saroktisztító fej	12	Körkefe
13	Pedál	14	Görgő	15	Oldalkefe	16	Szívócső
17	Csatlakozó	18	Alumíniumcső	19	Csőtartó	20	Lámpa
21	Hengerkefe	22	Alsó lemez	23	Üzem módváltó gomb	24	BE/KI gomb
25	Üzem mód jelzőfénye	26	Túlzott pormennyiség kijelzője	27	Hengerkefe-hiba kijelzője	28	Hátralévő akkumulátor-kapacitás kijelzője
29	Akkumulátor-ellenőrző /-lámpa gomb	-	-	-	-	-	-

ÖSSZESZERELÉS

▲VIGYÁZAT: Ha a készüléken különféle munkálatokat szeretne végezni, előtte feltétlenül kapcsolja ki a készüléket, és vegye ki belőle az akkumulátort.

▲VIGYÁZAT: A készülék összeszerelése és karbantartása során mindig viseljen pormaszkot.

Fogantyú csatlakoztatása

1. Nyomja be a fogantyú rúdját a porszívó házába az ábrán látható módon.
 2. Zárja le a záróreteszt.
- **Ábra2:** 1. Fogantyú rúdja 2. Piros jelölés 3. Záróretesz

MEGJEGYZÉS: Nyomja be a fogantyút teljesen, amíg a piros jelölés el nem tűnik.

Gégecső csatlakoztatása

Helyezze a gégecsövet a készülék nyílásába, és forgassa el a gégecsövet ütközésig.

- **Ábra3:** 1. Szerelési port

Cső csatlakoztatása

Helyezze be az alumíniumcső végét a csatlakozóba, majd csatlakoztassa az alumíniumcsövet a csőtartóhoz.

- **Ábra4:** 1. Csatlakozó 2. Csőtartó

MEGJEGYZÉS: Nyomja be az alumíniumcsövet a helyes irányba az ábrán látható módon. Máskülönb en a csőtartó nem rögzül, és az alumíniumcső kieshet.

- **Ábra5**

Az akkumulátor behelyezése és eltávolítása

▲VIGYÁZAT: Mindig kapcsolja ki a készüléket, mielőtt behelyezi vagy kiveszi az akkumulátort.

▲VIGYÁZAT: Az akkumulátor behelyezésekor vagy eltávolításakor erősen fogja meg a porszívót és az akkumulátort. Ha nem fogja erősen a porszívót és az akkumulátort, azok kicsúszhatnak a kezei közül, ami a porszívó és az akkumulátor károsodásához, de akár személyi sérüléshez is vezethet.

▲VIGYÁZAT: Vigyázzon, hogy az akkumulátor behelyezésekor ne csipje be az ujját. Ennek elmulasztása személyi sérüléseket okozhat.

▲VIGYÁZAT: Ne helyezze be/távolítsa el az akkumulátort nedves kézzel. Áramütésveszély áll fenn.

Illessze az akkumulátor nyelvét a burkolaton található vágatba, és csúsztassa a helyére. Egészen addig tolja be, amíg az egy kis kattánással a helyére nem ugrik.

- **Ábra6:** 1. Akkumulátor 2. Gomb

Az akkumulátor kivételéhez csúsztassa fel az akkumulátor elején található gombot, és vegye ki a készülékről.

▲VIGYÁZAT: Mindig nyomja be teljesen az akkumulátort. Ha nem így jár el, az akkumulátor kieshet a készülékből, és önnnek vagy a környezetében tartózkodóknak sérülést okozhat.

▲VIGYÁZAT: Ne erőltesse az akkumulátort behelyezéskor. Ha az akkumulátor nem csúszik be könnyedén, akkor nem megfelelően lett behelyezve.

Szűrőzsák behelyezése

⚠ VIGYÁZAT: Ne használjon sérült szűrőzsákokat. A porszívót mindig megfelelően behelyezett szűrőzsákkal használja. Ha nem így tesz, a készülék kifújhatja a felporszívózott port vagy részecskéket, és ezek az üzemeltető légúti megbetegedését okozhatják.

A porszívó használata előtt helyezze be a szűrőzsákokat. A szűrőzsák eldobható típusú. Amikor megtelt, dobja ki a szűrőzsákokat anélkül, hogy kiürítené.

MEGJEGYZÉS: Ha a szűrőzsák megtelt vagy eltömődött, cserélje ki egy újra. Ha huzamos ideig megtelt vagy eltömődött szűrőzsákkal használja a készüléket, az a szívóerő csökkenéséhez vezet.

MEGJEGYZÉS: Hogy elkerülhesse a por motorba jutását:

- Használat előtt győződjön meg arról, hogy a szűrőzsák be van-e helyezve.
- Ne használjon szakadt, lyukas porzsákokat.

Ez károsíthatja a motort.

MEGJEGYZÉS: A szűrőzsák behelyezésekor ne hajtsa meg a nyílásánál lévő kartonlapot.

MEGJEGYZÉS: A porszívó szűrőzsákja a készülék teljesítményének fenntartásához szükséges fontos elem. Nem eredeti szűrőzsák használata füstöt vagy gyulladást okozhat.

MEGJEGYZÉS: Ha a szűrőzsák nincs behelyezve a készülékbe, a portartály fedele nem csukódik le teljesen.

MEGJEGYZÉS: Egyes országokban és régiókban újrafelhasználható porzsák van behelyezve. Kövesse ugyanazokat a behelyezési/eltávolítási lépéseket, mint a szűrőzsáknál.

1. Húzza ki a kart, és nyissa ki a portartály fedelét.
▶ **Ábra7:** 1. Kar 2. Portartály fedele
2. Nyissa szét teljesen a szűrőzsákokat.
▶ **Ábra8**
3. Nyissa ki a reteszt, és helyezze be a szűrőzsákokat a tartón lévő nyílásba úgy, hogy a \triangle jellel jelölt oldal legyen elől.
▶ **Ábra9:** 1. Rugós retesz 2. Nyílás 3. Szűrőzsák 4. Tartó
▶ **Ábra10:** 1. Jelölés 2. Horony

MEGJEGYZÉS: Győződjön meg róla, hogy csak a kartonlapon lévő jelölést lehet látni a tartó hornyán keresztül.

4. Akassza be a tartó reteszt.
▶ **Ábra11:** 1. Rugós retesz
5. Simítsa ki a szűrőzsákokat, ha meg van gyűrődve.
▶ **Ábra12**
6. Zárja le biztosan a portartály fedelét.

⚠ VIGYÁZAT: Vigyázzon, hogy a rugós retesz beakasztásakor vagy a portartály fedelének bezárásakor ne csipje be az ujját.

Szűrőzsák eltávolítása

⚠ VIGYÁZAT: Bánjon finoman a szűrőzsákkal. Máskülönbent idegen tárgyakat fújhat valakinek a szemébe, és az személyi sérülést okozhat.

Amikor megtelik vagy eltömődik, cserélje ki a szűrőzsákokat. Nyissa ki a portartály fedelét és a rugós reteszt, majd vegye ki a szűrőzsákokat.

▶ **Ábra13:** 1. Rugós retesz

A szűrőzsák összezárásához húzza meg a nyílás oldalán lévő szalagot, és dobja ki az egész zsákokat a szemébe.

▶ **Ábra14:** 1. Szalag

MEGJEGYZÉS: Ne használja újra a szűrőzsákokat. A szűrőzsákokat egyszeri használatra tervezték. A szűrőzsák ismételt használata a szűrő eltömődését okozhatja, ami a készülék károsodását eredményezi.

A MŰKÖDÉS LEÍRÁSA

⚠ VIGYÁZAT: Mielőtt bármiféle beállítást vagy ellenőrzést végezne a készüléken, minden esetben ellenőrizze, hogy a készülék ki van-e kapcsolva és az akkumulátor eltávolításra került-e.

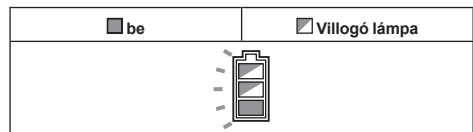
Készülék-/akkumulátorvédő rendszer

A készülék készülék-/akkumulátorvédő rendszerrel van felszerelve. A rendszer automatikusan kikapcsolja a motort áramellátását, így megnöveli a készülék és az akkumulátor élettartamát. A készülék működés közben automatikusan leáll, ha a készülék vagy az akkumulátor a következő állapotok egyikébe kerül:

Túlterhelésvédelem

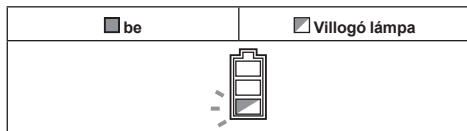
Ha a készüléket úgy használják, hogy az rendelkezéses nagy árammennyiséget vesz fel, a készülék automatikusan leáll. Ilyenkor kapcsolja ki a készüléket, és fejezze be azt a műveletet, amelyek a készülék túlterhelését okozta. Az újraindításhoz kapcsolja be a készüléket.

Túlmelegedés elleni védelem



A készülék túlmelegedésre automatikusan leáll, és az akkumulátor jelzőfénye körülbelül 60 másodpercen keresztül villog. Ilyenkor hagyja lehűlni a készüléket, mielőtt ismét bekapcsolná.

Mélykisütés elleni védelem



Amikor az akkumulátor kapacitása lecsökken, a készülék automatikusan leáll, és az akkumulátortöltöttség-jelző körülbelül 60 másodpercen keresztül villog. Ha a készülék a gombokkal sem működtethető, vegye ki az akkumulátort a készülékből, és töltsse fel.

Az akkumulátor töltöttségének jelzése

Nyomja meg az ellenőrzőgombot, hogy az akkumulátortöltöttség-jelző megmutassa a hátralévő akkumulátor-kapacitást. Ekkor a töltöttség-szint-jelző lámpák néhány másodpercre kigyulladnak.

► **Ábra15:** 1. Jelzőlámpák 2. Check (ellenőrzés) gomb

Jelzőlámpák			Töltöttségi szint
Világító lámpa	KI	Villogó lámpa	
■	□	▣	75%-tól 100%-ig
■ ■ ■ ■	□	□	50%-tól 75%-ig
■ ■	□ □	□	25%-tól 50%-ig
■	□ □ □ □	□	0%-tól 25%-ig
▣	□ □ □ □	□	Töltsse fel az akkumulátort.
■ ■	□ □ □ □	□	Lehetséges, hogy az akkumulátor meghibásodott.
	↑ ↓	■ ■	

MEGJEGYZÉS: Az adott munkafeltételektől és a környezet hőmérsékletétől függően a jelzett töltöttségi szint némileg eltérhet a tényleges töltöttségi szinttől.

MEGJEGYZÉS: Az első (bal oldali szélső) jelzőlámpa villog, ha az akkumulátorvédő rendszer működik.

Kijelzőpanel

► **Ábra16:** 1. Üzem mód 2. Túlzott pormennyiség 3. Hengerkefe-hiba 4. Hátralévő akkumulátor-kapacitás 5. Akkumulátor-ellenőrző /-lámpa gomb

Üzem mód

Az üzemmód változtatását lásd a kapcsoló működtetéséről szóló részben.

Túlzott pormennyiség

Ha ez a kijelző kigyullad, cserélje ki a szűrőzsákot. (Lásd a szűrőzsák eltávolításáról szóló részt.)

MEGJEGYZÉS: A használati körülményektől függően előfordulhat, hogy ez a kijelző nem működik.

MEGJEGYZÉS: A jelzőfény automatikusan kialszik megközelítőleg egy perccel a készülék kikapcsolódása után. Ha eltávolítja a szűrőzsák eltömődését és újraindítja a készüléket, a jelzőfény még az egy perc eltelte előtt kialszik.

Hengerkefe-hiba

Villogó lámpa	A hengerkefe valamilyen okból nagy terhelésnek van kitéve.
Be	A hengerkefe rendellenesség miatt leállt.

FIGYELMEZTETÉS: Ha ez a lámpa működés közben kigyullad, azonnal kapcsolja ki a készüléket. Máskülönb a motor hibásan működhet és tüzet okozhat.

MEGJEGYZÉS: A lámpa villoghat, ha a hengerkefe magassága túl kicsi a szőnyeg felületéhez képest. Ebben az esetben állítsa be a hengerkefe magasságát.

Hátralévő akkumulátor-kapacitás

Működés közben nyomja meg az akkumulátorellenőrző/lámpa gombot, hogy kijeljeze a hátralévő akkumulátor kapacitást.

► **Ábra17**

Akkumulátor jelzőfényének állapota			Hátralévő akkumulátor-kapacitás
BE	KI	Villogó lámpa	
	□	▣	50%-tól 100%-ig
	□	▣	20%-tól 50%-ig
	□	▣	0%-tól 20%-ig
	□	▣	Töltsse fel az akkumulátort

Akkumulátor-ellenőrző /-lámpa gomb

A következő műveletek hajthatók végre.

- Csak nyomja meg a gombot a hátralévő akkumulátor-kapacitás ellenőrzéséhez.
- Működés közben tartsa lenyomva a gombot a lámpák be-/kikapcsolásához.

A kapcsoló használata

► **Ábra18:** 1. Üzem módváltó gomb 2. BE/KI gomb

A készülék be-/kikapcsolása

Nyomja meg a BE/KI gombot a készülék be- és kikapcsolásához.

VIGYÁZAT: A készülék bekapcsolásakor mindig tegye a készülék fejét a padlóra. Máskülönbent a rátekeredés balesetet és személyi sérülést okozhat.

Üzem mód változtatása

A következő három működési mód létezik:

1. Alacsony zajszint
2. Normál
3. Magas

Az üzemmód megváltoztatásához nyomja meg az üzemmódváltó gombot. Az üzemmód beállítható akkor is, amikor a készülék ki van kapcsolva. A készülék a beállított üzemmódban indul.

MEGJEGYZÉS: A tisztító az utolsó bekapcsolással megegyező beállítással indul. Ha a leállítás után eltávolítja az akkumulátort, miközben a motor jár, előfordulhat, hogy a tisztító nem indul el ugyanabban az üzemmódban, mint az utolsó bekapcsoláskor.

A lámpa be-/kikapcsolása

VIGYÁZAT: Ne tekintsen a fénybe vagy ne nézze egyenesen a fényforrást.

A készülék lámpákkal van felszerelve. A működéssel kapcsolatosan lásd az akkumulátor-ellenőrző/lámpa gombról szóló fejezetet.

► **Ábra19:** 1. Lámpa

Pedál

VIGYÁZAT: Amikor elengedi a fogantyút, mindig rögzítse a készüléket függőleges álló helyzetben. Ellenkező esetben a készülék véletlenül leeshet, és sérülést okozhat.

VIGYÁZAT: Vigyázzon, ne csipje be az ujjait a készülék háza és feje közé.

A készülék függőleges álló pozíciójának kioldásához lépjen a pedálra, és húzza a fogantyút hátrafelé.

A mozgástartomány a függőleges álló helyzethez képest 90 fok.

► **Ábra20:** 1. Pedál

A készülék függőleges álló helyzetben való rögzítéséhez emelje előre a fogantyút, amíg a pedál egy kattanással rögzíti a pozíciót.

► **Ábra21**

VIGYÁZAT: Használat előtt gondoskodjon a láb kioldásáról. A durva kezelés az alkatrészek eltörését okozhatja.




► **Ábra22**

MEGJEGYZÉS: Amikor a készülék függőleges álló helyzetben van, a hengerkefe forgása leáll.

A hengerkefe magasságának beállítása

VIGYÁZAT: Működtetés előtt mindig győződjön meg róla, hogy a beállító kar a megfelelő helyzetbe kerüljön.

A hengerkefe magasságát 5 lépésben lehet beállítani. Forgassa el a beállító kart a kívánt helyzetbe az alábbi táblázat alapján.

A Beállító kar helyzete	Hengerkefe magassága
A 	A hengerkefe a padlótól felfelé helyezkedik el, így alkalmas hosszú szőrű szőnyegek tisztítására.
B 	A hengerkefe a padlóhoz közelebb helyezkedik el, így kemény padlók és rövidszőrű szőnyegek tisztítására alkalmas.
C 	A hengerkefe kinyúlik, hogy a padlóig lehessen helyezni, ami hatékony a szőnyegek mélytisztítására, valamint a szálakba mélyedt szennyeződések, por és részecskék eltávolítására.

► **Ábra23:** 1. Beállító kar

MEGJEGYZÉS: Előfordulhat, hogy a hengerkefe nem forog, ha a magassága túl kicsi a szőnyeg felületéhez képest.

Hordozó fogantyú

A készülék szállításakor tolja a készüléket a görgőkön vagy emelje fel a hordozó fogantyúnál fogva.

► **Ábra24**

VIGYÁZAT: A készülék szállításakor rögzítse a készüléket függőleges álló helyzetben. Máskülönbent leeshet, és baleset következhet be.

VIGYÁZAT: Kizárólag a hordozó fogantyúnál fogva szállítsa a készüléket. Máskülönbent leeshet, és baleset következhet be, vagy a véletlen elindítás sérülést okozhat.

► **Ábra25**

MŰKÖDTETÉS

⚠VIGYÁZAT: Ne húzza ki a fogantyút rúdját a készülékből működés közben. Ha így tesz, elveszítheti az uralmát a készülék felett, s súlyos sérülést okozhat.

⚠VIGYÁZAT: Ne tegye a kezét vagy a lábát a készülék alá működés közben. Máskülönbén becsípdőhet, és baleset következhet be.

⚠VIGYÁZAT: Ne használja a készüléket gyenge megvilágítás mellett. A rossz fényviszonyok mellett végzett munka előre nem látható balesethez vezethet.

Normál takarítási üzemmód

1. Tartsa a fogantyút, és oldja ki a függőleges álló pozíciót.
 2. Kapcsolja be a készüléket. Takarítsa a padlót.
- **Ábra26**

Az oldalkefe használata

Az oldalkefével kényelmesen lehet takarítani egy fal sarkát. Ha az oldalkefe túl rövid lesz, a cseréhez vigye a készüléket a Makita szervizközpontba.

► **Ábra27:** 1. Oldalkefe

Működtetés kiegészítőkkal

⚠VIGYÁZAT: Tartsa a fogantyút, amikor kiegészítőket használ. Ellenkező esetben a készülék véletlenül leeshet, és sérülést okozhat.

MEGJEGYZÉS: Kiegészítők használatakor rögzítse a készüléket függőleges álló helyzetben. Máskülönbén a hengerkefe forgása károsíthatja a padlót.

Az alumíniumcső használata

Az alumíniumcső szűk sarkok vagy magas helyek takarítására alkalmas.

► **Ábra28:** 1. Alumíniumcső

A gégecső használata

A gégecső a keze közelében történő takarításra alkalmas.

► **Ábra29:** 1. Gégecső

A gégecső használatához húzza ki a gégecsövet az alumíniumcsőből a kar nyomva tartása közben.

► **Ábra30:** 1. Kar

A gégecső felszereléséhez nyomja be kattanáig a gégecsövet az alumíniumcsőbe.

► **Ábra31**

A kiegészítők használata

► **Ábra32**

A kiegészítő felszereléséhez csavarva dugja azt be az alumíniumcsőbe vagy a gégecsőbe. Eltávolításhoz forgassa el, és húzza ki.

KARBANTARTÁS

⚠VIGYÁZAT: Ellenőrzés vagy karbantartás előtt feltétlenül kapcsolja ki a készüléket, és vegye ki belőle az akkumulátort.

MEGJEGYZÉS: Soha ne használjon gázolajt, benzint, hígítót, alkoholt vagy hasonló anyagokat. Ezek elszíneződést, alakvesztést vagy repedést okozhatnak.

A termék BIZTONSÁGÁNAK és MEGBÍZHATÓSÁGÁNAK fenntartása érdekében a javításokat és más karbantartásokat vagy beállításokat a Makita hivatalos vagy gyári szervizközpontjában kell elvégezni, mindig csak Makita cserealkatrészeket használva.

Tárolás

Tároláshoz vegye ki az akkumulátort, és tárolja a készüléket vízszintes helyen, függőleges álló helyzetben.

► **Ábra33**

A készülék házának tisztítása

Időnként törölje át szappanos vízzel megnedvesített kendővel a tisztító külsejét (a tisztító testét).

► **Ábra34**

A HEPA szűrő tisztítása

⚠VIGYÁZAT: Ne használja a porszívót szűrő nélkül, és ne folytassa a készülék használatát szennyezett vagy sérült szűrővel. A porszívó kifújhatja a felporszívózott port vagy részecskéket, amelyek a kezelő légúti megbetegedését okozhatják.

MEGJEGYZÉS: Az optimális szívóerő és a kifújt levegő tisztaságának megőrzése érdekében rendszeresen tisztítsa meg a szűrőt. Ha még a tisztítás után sem lehet elérni megfelelő szívóerőt, cserélje ki a szűrőt egy újra.

MEGJEGYZÉS: A szűrő sérülésének elkerülése érdekében ne használja a tisztításhoz a következő eszközöket vagy hasonló tárgyakat:

- Légfúvó
- Nagynyomású mosó
- Kemény anyagból készült eszközök, mint például a drótkefe

1. Nyissa ki a portartály fedelét, és vegye ki a szűrőzsákokat.

Akassza ki a szűrő akasztóit, és vegye le a szűrőt a készülék házáról.

► **Ábra35:** 1. Akasztó

2. Verje le a port a szűrőről. A szűrő vízzel mosható. 1-2 havonta öblítse le a szűrőről a ráakadott port és részecskéket. Ezután teljesen szárítsa meg a szűrőt egy árnyékos, jól szellőző helyen, hogy ezzel is megakadályozza a kellemetlen szagok kialakulását, illetve a meghibásodások jelentkezését.

3. A szűrő beszereléséhez illessze az akasztók nélküli oldalt a vájatba, majd nyomja be a szűrőt, ameddig az akasztók egy kattanáig kattannáig rögzülnek.

► **Ábra36:** 1. Vájat 2. HEPA szűrő 3. Akasztó

A hengerkefe tisztítása

1. Távolítsa el az alsó lemezt, majd a hengerkefét. Ha a hengerkefe sörtéje túl rövid, kérjen újat a Makita szervizközpontban. Ha rövid sörtéjű hengerkefével működteti a készüléket, rosszul fogja gyűjteni a port.
▶ **Ábra37:** 1. Alsó lemez 2. Hengerkefe
2. Vágja le a hengerkeféről a szövet- és hajszálakat olló segítségével. Távolítsa el a kupakot, és tisztítsa ki a törmeléket.
▶ **Ábra38:** 1. Kupak
3. Szerelje fel a kupakot, a hengerkefét és az alsó lemezt fordított sorrendben.
▶ **Ábra39**

⚠ VIGYÁZAT: Helyezze vissza biztonságosan az alsó lemezt a helyére, amíg a két rögzítőkar a helyére nem kattant. Ha a készüléket az alsó lemez nélkül használják, a hengerkefe kieshet, és sérülést okozhat.

- ▶ **Ábra40:** 1. Alsó lemez 2. Rögzítőkar

MEGJEGYZÉS: Mindig csatlakoztassa a hengerkefét. Ha hengerkefe nélkül működteti a készüléket, rosszul fogja gyűjteni a port.

Eltömődés megszüntetése

MEGJEGYZÉS: Ne működtesse a készüléket, ha a beszívó áramlási út eltömődött. Ha huzamos ideig eltömődött beszívó áramlási úttal használja a készüléket, az a szívóerő csökkenéséhez vezet.

1. Távolítsa el az alsó lemezt, majd a hengerkefét.
2. Távolítsa el az alumíniumcsövet a készülékből és a gégecsőből.
3. Fordítsa el a gégecsövet az órajárással ellentétesen, majd távolítsa el a gégecsövet a készülékből.
4. Távolítsa el a szívócsövet a fül meghúzásával.
▶ **Ábra41:** 1. Alsó lemez 2. Hengerkefe
3. Alumíniumcső 4. Gégecső 5. Szívócső 6. Fül
5. Vizsgálja meg a beszívott levegő áramlási útját az alumíniumcső, a gégecső és a szívócső belsejében. Távolítsa el a törmeléket a belsejéből.
6. Illessze a szívócső nyelvét a burkolaton található vájatba, és csúsztassa a helyére.
▶ **Ábra42:** 1. Nyelv 2. Vájat
7. Szerelje fel a gégecsövet, az alumíniumcsövet, a hengerkefét és az alsó lemezt.

⚠ VIGYÁZAT: Szerelje fel szorosan a gégecsövet és a csövet. Máskülönben a por kiszivároghat, és sérülést okozhat.

Porzsák

Opcionális kiegészítők

Ha megtisztítja, a porzsákat többször is használhatja.

A porzsák felszerelése és eltávolítása

A porzsák felszerelésének és eltávolításának ugyanaz a folyamata, mint a szűrőzsákénak. Olvassa el a szűrőzsák behelyezéséről és eltávolításáról szóló szakaszt.

- ▶ **Ábra43:** 1. Porzsák 2. Gumidugó

MEGJEGYZÉS: A porzsák behelyezésekor először a gumidugót nyissa ki. Úgy helyezze be a porzsákat, hogy a gumidugó hátul legyen.

A porzsák kiürítése

1. Csukja be a gumidugót, hogy megelőzze a por lebegését.
2. Nyissa ki a zsák száját a kötőelem kihúzásával.
3. Ürítse ki a porzsákat, és óvatosan ütögesse meg a belsejéhez tapadt szemcsék eltávolítása érdekében.
▶ **Ábra44:** 1. Porzsák 2. Gumidugó 3. Kötőelem

MEGJEGYZÉS: Gyakran ürítse ki a porzsákat. A túl sok por miatt a zsák könnyen elszakadhat.

A porzsák tisztítása

Rendszeresen tisztítsa meg a porzsákat szappanos vízzel. Fordítsa ki a porzsákat, és távolítsa el belőle a ragacos port. Mossa át kézzel, és öblítse ki vízzel alaposan. Hagyja teljesen megszáradni, mielőtt visszakereli a porzsáiba.

- ▶ **Ábra45**

MEGJEGYZÉS: A nedves porzsák csökkenti a porszívózási teljesítményt, valamint a motor élettartamát.

MEGJEGYZÉS: Amikor a kötőelemet a porzsákra szereli, győződjön meg róla, hogy a zsák szája biztonságosan zárva legyen.

CIKLON TARTOZÉK

Opcionális kiegészítők

► **Ábra46:** 1. Ciklon tartozék

A ciklon tartozékról

A porszívó felszerelt ciklon tartozékkal történő használata csökkenti a szűrőzsákba kerülő por mennyiségét, és az segít megelőzni a szívóerő csökkenését. Ezenkívül könnyebb a használat utáni tisztítás is.

⚠ VIGYÁZAT: Minden esetben ellenőrizze, hogy a szerszám ki van kapcsolva és az akkumulátort levette, mielőtt bármilyen műveletet végez a szerzősámon. Ha az akkumulátor bedugva marad, a porszívó váratlanul elindulhat, és sérülést okozhat.

⚠ VIGYÁZAT: Tisztítsa meg a ciklon tartozék szítaszűrőjét és a porszívóegység szűrőzsákját, ha eltömődnek. Ha folytatja a használatot eltömődött állapotban, az felmelegedést vagy füstöt okozhat.

MEGJEGYZÉS: Ha a ciklon tartozék csatlakoztatva van, ne használja a ciklon tartozékot vízszintes vagy felfelé irányított helyzetben. Ellenkező esetben a szítaszűrő eltömődhet.

MEGJEGYZÉS: Mindig beszerelt szűrőzsákkal használja a porszívót, még akkor is, amikor a ciklon tartozékot használja. A porszívó beszerelt szűrőzsák nélküli használata a motor meghibásodását okozhatja.

MEGJEGYZÉS: Használat előtt ellenőrizze, hogy a ciklon tartozék, a porszívó és az egyenes cső megfelelően vannak rögzítve.

MEGJEGYZÉS: Ha összegyűlt a por, ürítse ki a ciklon tartozék porgyűjtő dobozát és a porszívó szűrőzsákját. Ha folytatja a használatot, csökken a szívóerő.

A ciklon tartozék beszerelése

1. Fordítsa el a gégecső karmantyúját az óramutató járásával ellentétes irányba, és vegye ki a gégecsövet, az csőfogantyút és az alumíniumcsövet a készülékből.

► **Ábra47:** 1. Karmantyú 2. Gégecső 3. Csőfogantyú 4. Alumíniumcső

2. Fordítsa felfelé a ciklon tartozékon lévő ütköző oldalát, és igazítsa az ütközőt a szívónyílás vájathoz. Zárja az ütközőt a ciklon tartozék kattánásig történő behelyezésével. Enyhén húzza meg a ciklon tartozékot, hogy megbizonyosodjon arról, hogy nem lehet kivenni. Az egyenes csövet ugyanazon eljárás szerint szerelje be, mint a ciklon tartozékot.

► **Ábra48:** 1. A ciklon tartozék fogantyúja 2. Szívónyílás 3. Ciklon tartozék 4. A ciklon tartozék egyenes csöve 5. Ütköző 6. Zárgomb

3. Szerelje be a ciklon tartozékot a készülékre, majd rögzítse a gégecsövön lévő karmantyút az óramutató járásával megegyező irányba forgatva.

► **Ábra49**

A por kiürítése

Ha a por a porgyűjtő dobozon lévő tele vonalig felgyűlt, kövesse az alábbi eljárást, és ürítse ki a port.

1. Tartsa szorosan a porgyűjtő dobozt, tartsa hosszasan lenyomva a két gombot, és vegye ki a porgyűjtő dobozt.

► **Ábra50:** 1. Tele vonal 2. Porgyűjtő doboz 3. Gomb (két helyen) 4. Szítaszűrő

2. Ürítse ki a porgyűjtő doboz belsejéből a port, és távolítsa el a szítaszűrő felületére tapadt port.

3. Nyomja be teljesen a porgyűjtő dobozt, amíg a két gomb egy kattánással nem rögzül.

► **Ábra51:** 1. Porgyűjtő doboz 2. Gomb (két helyen)

MEGJEGYZÉS: Tartsa szilárdan a ciklon tartozékot, amikor felszereli a porgyűjtő dobozt.

MEGJEGYZÉS: A művelet újrakészítése előtt ellenőrizze, hogy a ciklon tartozék, a porszívó és az egyenes cső megfelelően vannak rögzítve.

MEGJEGYZÉS: A tisztítón lévő túlzott pormennyiség jelzőfénye nem világít, ha a ciklon tartozék porháza megtelik.

MEGJEGYZÉS: A következő körülmények között ellenőrizze, hogy nem halmozódott-e fel por a tisztító szűrőzsákjában, vagy nem tömődött-e el a légút. Szükség esetén tisztázza az okokat.

— Ha a szívóteljesítmény nem javult, miután eltávolította a port a portartályból és megtisztította a hálósűrőt.

— Ha a tisztítón lévő túlzott pormennyiség jelzőfénye továbbra is világít.

Tisztítás

Ha a porgyűjtő doboz piszkos lesz vagy a szítaszűrő eltömődik, vegye ki azokat, és mossa meg vízzel. (Az eltávolítási eljárást lásd a „Por kiürítése” című részben.)

Visszaszerelés és használat előtt szárítsa meg alaposan az alkatrészeket.

► **Ábra52:** 1. Porgyűjtő doboz 2. Szítaszűrő

Ha a szítaszűrő nagyon bepiszkolódik, tisztítsa meg a következő eljárással.

1. Fordítsa el a szítaszűrőt az órajárással ellentétesen, és vegye ki, amikor az akasztók elengednek.

► **Ábra53:** 1. Szítaszűrő 2. Akasztó

2. Távolítsa el a szítaszűrőről a port, és mossa meg vízzel. Ezután szárítsa meg alaposan.

3. Helyezze be a szítaszűrőt az alapba, amikor az akasztók egyvonalban vannak a nyílással. Fordítsa el a szítaszűrőt az órajárási irányába, amíg az akasztók egy kattánással nem rögzülnek. Győződjön meg róla, hogy a szítaszűrő biztonságosan van felhelyezve.

► **Ábra54:** 1. Szítaszűrő 2. Akasztó 3. Nyílás

HIBAEHÁRÍTÁS

Mielőtt a szervizhez fordulna, először végezzen saját maga is átvizsgálást. Ha olyan problémát talál, amire a kézikönyv nem tartalmaz magyarázatot, ne próbálja meg szétszerelni a gépet. Ehelyett kérjen tanácsot a Makita hivatalos szervizközpontjától, és javításhoz mindig Makita cserealkatrészeket használjon.

Tünet	Valószínű ok	Megoldás
Nem működik	Az akkumulátor helytelenül van behelyezve.	Az akkumulátort az útmutató szerint szerelje be.
	Az akkumulátor lemerült.	Töltse fel az akkumulátort.
	A fogantyú nincs megfelelően behelyezve.	A fogantyút az útmutató szerint szorosan szerelje be.
A hengerkefe nem forog	A készülék le van zárva függőleges álló helyzetben.	Oldja ki a készülék függőleges álló pozícióját.
	Kigyullad a hengerkefe-hiba kijelzője.	Vizsgálja meg, nem tekeredett-e valami a hengerkefe (ház, kupak és csatlakozó) köré.
Gyenge szívóteljesítmény	Ég a túlzott pormennyiség kijelzője.	Cserélje ki a szűrőzsákot. Ha a szűrőzsák nincs tele, nyissa szét a szűrőzsákot és rázza meg, hogy az eltömődés megszűnjön.
	⇒Ha a szűrőzsák cseréje nem oldja meg a problémát...	Tisztítsa ki vagy cserélje ki a HEPA szűrőt. Vizsgálja meg, nem szorult-e törmelék a gégecsőbe és a csőbe.
	Törmelék tekeredett a hengerkefére, és csökkent a forgási sebesség.	Vizsgálja meg, nem tekeredett-e valami a hengerkefe (ház, kupak, csatlakozó) köré.
	A hengerkefe túl magasan van a padló felett.	Csökkentse a hengerkefe magasságát.
	A hengerkefe sörtéje túl rövid lett.	Cserélje ki a hengerkefét. Csökkentse a hengerkefe magasságát.
	A készülék alacsony üzemmódban működik.	Váltson magasabb üzemmódra.
	A hengerkefe nincs behelyezve.	Helyezze be a hengerkefét.
	A cső vagy a gégecső nem megfelelően van felszerelve.	Szerelje fel szorosan a csövet vagy a gégecsövet.
Erős működési zaj	A készülék magas üzemmódban működik.	Váltson alacsonyabb üzemmódra.
	Törmelék akadt a hengerkefébe.	Vizsgálja meg, nem tekeredett-e valami a hengerkefe (ház, kupak és csatlakozó) köré.
	A szűrőzsák tele van porral.	Cserélje ki a szűrőzsákot.
	⇒Ha a szűrőzsák cseréje nem oldja meg a problémát...	Tisztítsa ki vagy cserélje ki a HEPA szűrőt. Vizsgálja meg, nem szorult-e törmelék a gégecsőbe és a csőbe.
A túlzott pormennyiség kijelzője rövid használat után villog	A szűrőzsák meg van gyűrődve.	Behelyezés előtt simítsa ki a szűrőzsák bemenetét.
A lámpa nem ég	A lámpa ki van kapcsolva.	Működés közben tartsa lenyomva az akkumulátor-ellenőrző/lámpa gombot, hogy bekapcsolja a lámpát.
A görgő nehezen mozog	Törmelék akadt a görgőbe.	Tisztítsa le a görgőn lévő törmelékét.

OPCIONÁLIS KIEGÉSZÍTŐK

⚠ VIGYÁZAT: Ezen kiegészítőket és tartozékokat javasoljuk a kézikönyvben ismertetett Makita szerszámhoz. Bármilyen más kiegészítő vagy tartozék használata a személyi sérülés kockázatával jár. A kiegészítőt vagy tartozékot csak rendeltetésszerűen használja.

- Ciklon tartozék
- HEPA szűrő
- Szűrőzsák
- Porzsák
- Eredeti Makita akkumulátor és töltő

MEGJEGYZÉS: A listán felsorolt néhány kiegészítő megtalálható az eszköz csomagolásában standard kiegészítőként. Ezek országonként eltérőek lehetnek.

Ha bármilyen segítségre vagy további információkra van szüksége ezekkel a tartozékokkal kapcsolatban, keresse fel a helyi Makita Szervizközpontot.

- Saroktisztító fej
- Körkefe

VAROVANIE

- Pre používateľov v Európe: Tento spotrebič môžu používať deti staršie ako 8 rokov a osoby so zníženými fyzickými, zmyslovými a duševnými schopnosťami alebo nedostatočnou skúsenosťou, ak ho používajú pod dohľadom alebo na základe vydaných pokynov o používaní produktu bezpečným spôsobom a chápu možné riziká. Deti sa so spotrebičom nesmú hrať. Deti bez dozoru nesmú vykonávať čistenie a údržbu.
- Pre používateľov mimo Európy: Tento spotrebič nie je určený na používanie osobami (vrátane detí) so zníženými fyzickými, zmyslovými alebo duševnými schopnosťami alebo osobami s nedostatočnými skúsenosťami a znalosťami, ak ho nepoužívajú pod dozorom alebo na základe pokynov o používaní produktu vydaných od osoby zodpovednej za ich bezpečnosť.
- V prípade detí treba dohliadať na to, aby sa so spotrebičom nehrali.
- POZOR: Pred vykonávaním akejkoľvek údržby odpojte spotrebič od zdroja napájania. Na spotrebiči pravidelne vykonávajte údržbu.
- Nabíjateľné akumulátory sa pred nabíjaním musia vybrať zo zariadenia.
- Ak chcete vybrať alebo vložiť akumulátor, vysuňte akumulátor z nástroja, pričom stláčajte tlačidlo na prednej strane akumulátora.
- Akumulátory na konci životnosti sa musia zo zariadenia vybrať a bezpečne zlikvidovať. Postupujte podľa miestnych predpisov pre likvidáciu akumulátorov.
- Ak sa zariadenie dlhší čas nepoužíva, musia sa vybrať akumulátory.
- Napájacie konektory nesmú byť skratované.

Použiteľné akumulátory a nabíjačky

Akumulátor	BL4020 / BL4025 / BL4040 / BL4040F / BL4050F / BL4080F
Nabíjačka	DC40RA / DC40RB / DC40RC

- Niektoré vyššie uvedené akumulátory a nabíjačky môžu byť nedostupné v závislosti od miesta vášho bydliska.

VAROVANIE: Používajte iba akumulátory a nabíjačky zo zoznamu uvedeného vyššie. Používanie akýchkoľvek iných akumulátorov a nabíjačiek môže spôsobiť zranenie a/alebo požiar.

TECHNICKÉ ŠPECIFIKÁCIE

Model:	VC010G
Maximálny objem vzduchu ^{*1}	1,8 m ³ /min
Vysávanie ^{*1}	15 kPa
Medzné rozmery	5 l
Rozmery (D x Š x V)	326 mm x 381 mm x 1 146 mm
Menovité napätie	Jednosmerný prúd 36 V – 40 V max.
Čistá hmotnosť	8,0 – 9,2 kg

^{*1} Hodnota je nameraná našou pôvodnou metódou.

- Vzhľadom k neustálemu výskumu a vývoju podliehajú technické údaje uvedené v tomto dokumente zmenám bez upozornenia.
- Technické špecifikácie sa môžu pre rôzne krajiny líšiť.
- Hmotnosť zahŕňa aj príslušenstvo (okružla kefka, rohová hubica) a akumulátor(y). V tabuľke sa uvádzajú kombinácie najnižšej a najnižšej hmotnosti zariadenia a akumulátora.

Symboly

Nižšie sú uvedené symboly, ktoré sa môžu používať pri tomto nástroji. Je dôležité, aby ste poznali ich význam, skôr než začnete pracovať.



Prečítajte si návod na obsluhu.



Práci venujte veľkú pozornosť a dávajte pozor.



Typická batéria použiteľná pre tento produkt.



Len pre štáty EÚ
Z dôvodu prítomnosti nebezpečných komponentov v zariadení môžu mať odpad z elektrických a elektronických zariadení, použité akumulátory a batérie negatívny vplyv na životné prostredie a ľudské zdravie. Elektrické a elektronické zariadenia alebo akumulátory nelikvidujte spolu s komunálnym odpadom! V súlade s európskou smernicou o odpade z elektrických a elektronických zariadení, o akumulátoroch a batériách a odpade z akumulátorov a batérií, ako aj v súlade s prispôbenými vnútroštátnymi právnymi predpismi by sa odpad z elektrických a elektronických zariadení a použité akumulátory a batérie mali uskladiť osobitne a odovzdávať na samostatnom zbernom mieste pre komunálny odpad, ktoré sa prevádzkuje v súlade s predpismi na ochranu životného prostredia. Označuje to symbol preškrtnutej smetnej nádoby na zariadení.

Určené použitie

Toto zariadenie je určené na vysávanie suchého prachu. Zariadenie je určené na komerčné použitie, napríklad v hoteloch, školách, nemocniciach, továrňach, predajniach, kanceláriách a prenajímaných nehnuteľnostiach.

Hluk

Typická hladina akustického tlaku záťaže A určená podľa štandardu IEC60335-2-69:
Úroveň akustického tlaku (L_{pA}): 70 dB (A) alebo menej
Odchýlka (K): 2,5 dB (A)

Úroveň hluku pri práci môže prekročiť 80 dB (A).

POZNÁMKA: Deklarovaná hodnota emisií hluku bola meraná podľa štandardnej skúšobnej metódy a môže sa použiť na porovnanie jedného nástroja s druhým.

POZNÁMKA: Deklarovaná hodnota emisií hluku sa môže použiť aj na predbežné posúdenie vystavenia ich účinkom.

VAROVANIE: Používajte ochranu sluchu.

VAROVANIE: Emisie hluku sa môžu počas skutočného používania elektrického nástroja odlišovať od deklarovanej hodnoty, a to v závislosti od spôsobov používania náradia a najmä typu spracúvaného obrobku.

VAROVANIE: Nezabudnite označiť bezpečnostné opatrenia s cieľom chrániť obsluhu, a to tie, ktoré sa zakladajú na odhade vystavenia účinkom v rámci reálnych podmienok používania (berúc do úvahy všetky súčasti prevádzkového cyklu, ako sú doby, kedy je nástroj vypnutý a kedy beží bez zaťaženia, ako dodatok k dobe zapnutia).

Vibrácie

Celková hodnota vibrácií (trojosový vektorový súčet) určená podľa štandardu IEC60335-2-69:

Emisie vibrácií ($a_{h,M}$): 2,5 m/s² alebo menej

Odchýlka (K): 1,5 m/s²

POZNÁMKA: Deklarovaná celková hodnota vibrácií bola meraná podľa štandardnej skúšobnej metódy a môže sa použiť na porovnanie jedného nástroja s druhým.

POZNÁMKA: Deklarovaná celková hodnota vibrácií sa môže použiť aj na predbežné posúdenie vystavenia ich účinkom.

VAROVANIE: Emisie vibrácií sa môžu počas skutočného používania elektrického nástroja odlišovať od deklarovanej hodnoty, a to v závislosti od spôsobov používania náradia a najmä typu spracúvaného obrobku.

VAROVANIE: Nezabudnite označiť bezpečnostné opatrenia s cieľom chrániť obsluhu, a to tie, ktoré sa zakladajú na odhade vystavenia účinkom v rámci reálnych podmienok používania (berúc do úvahy všetky súčasti prevádzkového cyklu, ako sú doby, kedy je nástroj vypnutý a kedy beží bez zaťaženia, ako dodatok k dobe zapnutia).

Vyhľadania o zhode

Len pre krajiny Európy

Vyhľadania o zhode sa nachádzajú v prílohe A tohto návodu na obsluhu.

BEZPEČNOSTNÉ VAROVANIA

Bezpečnostné varovania pre akumulátorový vysávač

VAROVANIE: JE DÔLEŽITÉ, aby ste si PRED POUŽITÍM DÔKLADNE PREČÍTALI všetky varovania a pokyny. Nedodržanie varovaní a pokynov môže mať za následok zasiahanie elektrickým prúdom, požiar alebo vážne zranenie.

1. Pred použitím zabezpečte, aby tento vysávač používali osoby primeraným spôsobom zaškolené na používanie tohto vysávača.
2. Nepoužívajte bez založeného filtračného vrečka a/alebo filtrov. Poškodený filter okamžite vymeňte.
3. ZABRÁŇTE NÁHODNÉMU SPUSTENIU. Pri inštalácii akumulátora zariadenie vždy VYPNITE.
4. Nepokúšajte sa vysávať horľavé materiály, iskry, horiace cigarety, horúci popol, horúce kovové piliny, ostré materiály, ako sú žiletky, ihly, rozbité sklo a podobné materiály.

5. **VYSÁVAČ NIKDY NEPOUŽÍVAJTE V BLÍZKOSTI BENZÍNU, PLYNU, NÁTEROV, LEPIDIEL ANI INÝCH VEĽMI VÝBUŠNÝCH LÁTKOV.** V prepínači sa pri zapnutí alebo vypnutí vytvárajú iskry. Iskry sa počas prevádzky vytvárajú aj v komutátore motora. Dôsledkom môže byť nebezpečná explózia.
 6. Tento vysávač nie je určený na zbieranie nebezpečného prachu.
 7. Nikdy nevysávajte toxické, karcinogénne, horľavé ani iné nebezpečné materiály, ako je azbest, arzén, bárium, berýlium, olovo, pesticídy a iné zdravie rizikové materiály.
 8. Nevysávajte penové čistiace prostriedky, napríklad čistiaci prostriedok na kerboce atď. Môžu spôsobiť explóziu alebo požiar.
 9. Nepoužívajte v exteriéri ani na mokrych povrchoch.
 10. Ak sa nachádzate vo Fínsku, zariadenie nepoužívajte v exteriéri pri nízkych teplotách.
 11. Zariadenie nepoužívajte v blízkosti tepelných zdrojov (sporákov a pod.).
 12. Neblokujte nasávacie/výfukové/chladiace otvory. Tieto otvory zabezpečujú chladenie motora. Ich zablokovaním je potrebné zabrániť, pretože motor môže v dôsledku nedostatočnej ventilácie zhorieť.
 13. Hadicu nikdy neprelamujte, neťahajte za ňu ani na ňu nestúpajte.
 14. Ak počas prevádzky spozorujete nedostatočný výkon alebo akýkoľvek neštandardný stav, vysávač okamžite vypnite.
 15. **VYBERTE AKUMULÁTOR**, ak vysávač nepoužívate, pred vykonávaním servisu a počas výmeny príslušenstva.
 16. Vysávač po každom použití ihneď vyčistite a vykonajte servis, aby ste zabezpečili jeho optimálny prevádzkový stav.
 17. **ÚDRŽBU VYSÁVAČA VYKONÁVAJTE DÔSLEDNE.** Vysávač čistite, aby sa zaistil lepší a bezpečnejší výkon. Príslušenstvo vymieňajte podľa pokynov. Rukoväte udržiavajte suché, čisté, bez znečistenia olejom a mazivom.
 18. **KONTROLUJTE PRÍPADNÉ POŠKODENIE SÚČASTÍ.** Pred ďalším použitím vysávača je potrebné dôkladne skontrolovať, či nie je poškodený ochranný kryt alebo iné súčasti, aby sa určilo, či budú fungovať správne a či budú vykonávať určenú funkciu. Skontrolujte či sú pohyblivé diely zarovnané, či nie sú uviaznuté, či niektoré diely nie sú zlomené, zle namontované a či sú v takom stave, ktorý nebudie mať negatívny vplyv na prevádzku. Ochranný kryt alebo iné poškodené diely treba riadne nechať opraviť alebo vymeniť v autorizovanom servisnom stredisku, pokiaľ nie je v tomto návode uvedené inak. Pokazené prepínače je potrebné nechať vymeniť v autorizovanom servisnom stredisku. Vysávač nepoužívajte, ak prepínač nefunguje.
 19. **NÁHRADNÉ DIELY.** Pri vykonávaní servisu používajte výlučne rovnaké náhradné diely.
 20. Keď vysávač nepoužívate, vždy ho skladujte v interiéri.
 21. S vysávačom zaobchádzajte opatrne. Násilné zaobchádzanie môže spôsobiť rozbitie vysávača aj s najodolnejšou konštrukciou.
 22. Vonkajší povrch nečistite benzínom, rozpúšťadlom ani inými chemikáliami na čistenie. Dôsledkom môže byť vznik trhlín alebo zmena farby.
 23. Vysávač nepoužívajte v uzatvorených miestnostiach, kde sa vyskytujú horľavé, výbušné alebo toxické výpary z olejových náterov, riedidiel na farby, benzínu, látok na likvidáciu molí a pod., ani na miestach s výskytom horľavého prachu.
 24. Tento ani žiadny iný nástroj nepoužívajte, pokiaľ ste pod vplyvom drog alebo alkoholu.
 25. V závislosti od prostredia použitia noste adekvátne ochranné prostriedky, napríklad masku.
 26. Toto zariadenie nie je určené na používanie osobami, vrátane detí, so zníženými fyzickými, zmyslovými alebo duševnými schopnosťami ani osobami s nedostatočnými aníznosťami a znalosťami.
 27. V prípade detí treba dohliadať na to, aby sa s vysávačom nehrali.
 28. Nikdy nemanipulujte s akumulátormi ani s vysávačom, keď máte mokré ruky.
 29. Maximálnu pozornosť venujte vysávaniu na schodoch.
 30. Vysávač nepoužívajte na nestabilných alebo naklonených miestach, aby nedošlo k jeho pádu a následnému zraneniu alebo poškodeniu.
 31. Udržujte vždy správny postoj a rovnováhu.
 32. Vysávač nepoužívajte ako stoličku ani ako pracovný stôl. Zariadenie môže spadnúť a môže spôsobiť zranenie.
 33. Chráňte všetky časti tela a odevy pred otvormi a pohyblivými časťami, napríklad rotujúcimi rotačnými kefami. Mohli by sa zachytiť do zariadenia a spôsobiť zranenie.
- Používanie a starostlivosť o akumulátorový nástroj**
1. Nabíjajte iba nabíjačkou určenou výrobcom. Nabíjačka vhodná pre jeden typ akumulátora môže pri inom type akumulátora spôsobiť riziko vzniku požiaru.
 2. Elektrické nástroje používajte iba s príslušným typom akumulátora. Použitie iného typu akumulátora môže spôsobiť riziko vzniku požiaru a úrazu.
 3. Keď sa akumulátor práve nepoužíva, skladujte ho mimo iných kovových predmetov ako sponky, mince, kľúče, klice, skrutky alebo iné malé kovové predmety, ktoré by mohli kontakty akumulátora skratovať. Skratovanie kontaktov akumulátora môže spôsobiť popáleniny alebo požiar.
 4. Pri nevhodných podmienkach môže z akumulátora vytekať tekutina. Nedotýkajte sa jej. Pri náhodnom kontakte ju opláchnite vodou. Ak kvapalina zasiahne oči, vyhľadajte lekársku pomoc. Kvapalina, ktorá vytekla z akumulátora, môže spôsobiť podráždenie alebo popáleniny.
 5. Nepoužívajte akumulátor alebo nástroj, ktorý je poškodený alebo upravovaný. Fungovanie poškodených alebo upravovaných akumulátorov ťažko predvídať a môžu zapríčiniť požiar, výbuch alebo zranenie.

- Akumulátor ani nástroj nevystavujte ohňu či nadmernej teplote.** Vystavenie ohňu alebo teploty nad 130 °C môže spôsobiť výbuch.
- Dodržiavajte všetky pokyny pre nabíjanie a akumulátor ani nástroj nenabíjajte v prípade prekročenia teplotného rozsahu uvedeného v návode.** Nesprávne nabíjanie alebo nabíjanie pri teplotách mimo uvedeného rozsahu môže spôsobiť poškodenie akumulátora a zvýšiť riziko požiaru.

TIETO POKYNY USCHOVAJTE.

VAROVANIE: NIKDY nepripustíte, aby sebavedomie a dobrá znalosť výrobku (získané opakovaným používaním) nahradili presné dodržiavanie bezpečnostných pravidiel pre náradie. **NESPRÁVNE POUŽÍVANIE** alebo nedodržiavanie bezpečnostných zásad uvedených v tomto návode môže viesť k vážnemu zraneniu.

Dôležité bezpečnostné a prevádzkové pokyny pre akumulátor

- Pred použitím akumulátora si prečítajte všetky pokyny a výstažné označenia na (1) nabíjačke akumulátorov, (2) akumulátore a (3) produkte používanom akumulátorom.
 - Akumulátor nerozoberajte ani neupravujte.** Môže to viesť k požiaru, nadmernému teplu alebo výbuchu.
 - Ak sa doba prevádzky príliš skráti, ihneď prerušte prácu.** Môže nastať riziko prehriatia, možných popálením či dokonca explózie.
 - V prípade zasiahnutia očí elektrolytom ich vypláchnite čistou vodou a okamžite vyhľadajte lekársku pomoc.** Môže dôjsť k strate zraku.
 - Akumulátor neskratujte:**
 - Nedotýkajte sa konektorov žiadnym vodivým materiálom.
 - Neskladujte akumulátor v obale s inými kovovými predmetmi, napríklad klincami, mincami a pod.
 - Akumulátor nevystavujte vode ani dažďu.** Skrat akumulátora môže spôsobiť veľký tok prúdu, prehriatie, možné popáleniny či dokonca poruchu.
 - Nástroj ani akumulátor neskladujte a nepoužívajte na miestach s teplotou presahujúcou 50 °C (122 °F).**
 - Akumulátor nespálujte, ani keď je vážne poškodený alebo úplne opotrebovaný.** Akumulátor môže v ohni explodovať.
 - Akumulátor neprepichujte, neprerezávajte, nedrvté, nehádzte ani ho nenarúšajte údermi o tvrdé predmety.** Môže to viesť k požiaru, nadmernému teplu alebo výbuchu.
 - Nepoužívajte poškodený akumulátor.**
 - Lítium-iónové akumulátory, ktoré sú súčasťou náradia, podliehajú požiadavkám legislatívy o nebezpečnom tovare.**
V prípade obchodnej prepravy, napr. dodanie tretími stranami či špeditériami, sa musia dodržiavať špeciálne požiadavky na zabalenie a označenie.
- Pred prípravou položky na odoslanie sa vyžaduje konzultácia s odborníkom na nebezpečný materiál. Taktiež treba dodržiavať potenciálne podrobnejšie predpisy príslušnej krajiny. Prelepte alebo zakryte otvorené kontakty a zabaľte akumulátor tak, aby sa v balíku nemohol voľne pohybovať.
- Akumulátor pri likvidácii odstráňte z nástroja a zlikvidujte ho na bezpečnom mieste.** Akumulátor zlikvidujte v súlade s miestnymi nariadeniami.
 - Akumulátory používajte iba s výrobkami uvedenými spoločnosťou Makita.** Inštalácia akumulátorov do nevyhovujúcich výrobkov môže spôsobiť požiar, nadmerné teplo, výbuch alebo únik elektrolytov.
 - Ak sa nástroj dlhší čas nepoužíva, odstráňte z neho akumulátor.**
 - Akumulátor sa môže počas používania a po použití zohriať, čo môže spôsobiť popáleniny alebo popáleniny aj pri relatívne nízkej teplote.** Pri manipulácii s horúcimi akumulátormi dávajte pozor.
 - Nedotýkajte sa svorky nástroja ihneď po použití, keďže sa mohla zohriať dostatočne na to, aby spôsobila popáleniny.**
 - Zabráňte zachytávaniu triesok, prachu alebo zeminy na svorkách, otvoroch a drážkach akumulátora.** Môže to spôsobiť zohriatie, požiar, výbuch a poruchu nástroja alebo akumulátora, v dôsledku čoho môže dôjsť k popáleninám alebo zraneniu osôb.
 - Pokiaľ nástroj nepodporuje používanie v blízkosti vysokonapäťových elektrických vedení, nepoužívajte akumulátor blízko vysokonapäťových elektrických vedení.** Môže to viesť k nesprávnemu fungovaniu alebo poškodeniu nástroja alebo akumulátora.
 - Akumulátor držte mimo dosahu detí.**

TIETO POKYNY USCHOVAJTE.

POZOR: Používajte len originálne akumulátory od spoločnosti Makita. Používanie batérií, ktoré nie sú od spoločnosti Makita, alebo upravených batérií môže spôsobiť výbuch batérie a následný požiar, zranenie osôb alebo poškodeniu majetku. Následkom bude aj zrušenie záruky od spoločnosti Makita na nástroj a nabíjačku od spoločnosti Makita.

Rady na udržanie maximálnej životnosti akumulátora

- Akumulátor nabíjate ešte predtým, ako sa úplne vybije.** Vždy prerušte prácu s nástrojom a nabíjate akumulátor, keď spozorujete nižší výkon nástroja.
- Nikdy nenabíjate plne nabitý akumulátor.** Prebíjanie skracuje životnosť akumulátora.
- Akumulátor nabíjajte pri izbovej teplote 10 °C – 40 °C (50 °F – 104 °F).** Pred nabíjaním nechajte horúci akumulátor vychladnúť.
- Keď akumulátor nepoužívate, vyberte ho z nástroja alebo nabíjačky.**
- Lítium-iónový akumulátor nabíjate, ak ste ho nepoužívali dlhšie ako šesť mesiacov.**

POPIS SÚČASTÍ

► Obr.1

1	Rukoväť	2	Doska s prepínačmi	3	Držadlo trubice	4	Hadica
5	Kontrolný panel	6	Páčka (pre kryt schránky na prach)	7	Kryt schránky na prach	8	Rukoväť na prenášanie
9	Akumulátor	10	Nastavovacia páčka	11	Rohová hubica	12	Okrúhla kefka
13	Páčka pre nohu	14	Pomocné koliesko	15	Bočná kefka	16	Nasávací hadica
17	Spojka	18	Hliníková trubica	19	Držiak trubice	20	Kontrolka
21	Rotačná kefa	22	Spodná doska	23	Tlačidlo zmeny režimu	24	Tlačidlo ON/OFF (ZAPNÚŤ/VYPNÚŤ)
25	Indikátor prevádzkového režimu	26	Indikátor prekročenej úrovne prachu	27	Indikátor chyby rotačnej kefy	28	Indikátor zostávajúcej kapacity akumulátora
29	Tlačidlo kontroly akumulátora/kontrolky	-	-	-	-	-	-

ZOSTAVENIE

▲POZOR: Pred vykonávaním akejkoľvek práce na zariadení vždy skontrolujte, či je zariadenie vypnuté a akumulátor vybrať.

▲POZOR: Pri zostave a údržbe si vždy nasadzte protiprachovú masku.

Pripojenie rukoväti

1. Tyč rukoväti úplne zasuňte do tela vysávača podľa obrázka.
2. Zaisťte poistnú západku.
► **Obr.2:** 1. Tyč rukoväti 2. Červená značka 3. Poistná západka

UPOZORNENIE: Rukoväť zasuňte tak, aby červenú značku nebolo vidieť.

Pripojenie hadice

Hadicu zasuňte do montážneho otvoru na zariadení a otáčajte ju, dokiaľ sa nezaistí.

- **Obr.3:** 1. Montážny otvor

Pripojenie trubice

Vložte koniec hliníkovej trubice do spojky a hliníkovú trubicu pripevnite k držiaku trubice.

- **Obr.4:** 1. Spojka 2. Držiak trubice

UPOZORNENIE: Hliníkovú trubicu vložte v správnom smere podľa obrázka. V opačnom prípade sa držiak trubice nezaistí a hliníková trubica sa môže uvoľniť.

- **Obr.5**

Inštalácia alebo demontáž akumulátora

▲POZOR: Pred vložením alebo vybratím akumulátora zariadenie vždy vypnite.

▲POZOR: Pri vkladaní a vyberaní akumulátora pevne držte vysávač a akumulátor. Ak vysávač a akumulátor nebudete pevne držať, môžu sa vám vyšmyknúť z rúk a poškodiť sa, prípadne spôsobiť zranenie.

▲POZOR: Pri vkladaní akumulátora dávajte pozor, aby ste si nepricvikli prsty. V opačnom prípade môže dôjsť k zraneniu.

▲POZOR: Akumulátor nekladajte/nevyberajte mokrymi rukami. Hrozí nebezpečenstvo zásahu elektrickým prúdom.

Jazyček akumulátora zarovnajete s drážkou v kryte a zasuňte ho na miesto. Zatlačte ho úplne, kým nezacvakne na miesto.

- **Obr.6:** 1. Akumulátor 2. Tlačidlo

Ak chcete vybrať akumulátor, vytiahnite ho zo zariadenia, pričom posuňte tlačidlo na prednej strane akumulátora.

▲POZOR: Akumulátor vždy vložte úplne. V opačnom prípade môže náhodne vypadnúť zo zariadenia a ublížiť vám alebo osobám v okolí.

▲POZOR: Pri inštalovaní akumulátora nepoužívajte silu. Ak sa akumulátor nedá zasunúť ľahko, nekladáte ho správne.

Vloženie filtračného vrecka

⚠ POZOR: Nepoužívajte poškodené filtračné vrečko. Vysávač vždy používajte s riadne vloženým filtračným vrečkom. V opačnom prípade sa môže povysávaný prach alebo čiastočky vyfukovať z vysávača a obsluhu spôsobiť ochorenie dýchacích ciest.

Filtračné vrečko vložte pred použitím vysávača. Filtračné vrečko slúži na jednorazové použitie. Po naplnení vyhodte celé filtračné vrečko, nevyprázdňujte ho.

UPOZORNENIE: Keď je filtračné vrečko plné alebo upchaté, vymeňte ho za nové. Pri používaní vysávača s plným alebo upchatým filtračným vrečkom dôjde k zníženiu sacieho výkonu.

UPOZORNENIE: Na ochranu pred vniknutím prachu do motora:

- Pred použitím skontrolujte, či je vložené filtračné vrečko.
- Nepoužívajte poškodené alebo pretrhnuté vrečko.

V opačnom prípade môže dôjsť k poškodeniu motora.

UPOZORNENIE: Pri vkladaní filtračného vrečka neohýbajte kartón v mieste jeho otvoru.


UPOZORNENIE: Filtračné vrečko vysávača je dôležitý prvok na zachovanie výkonu zariadenia. Použitie neoriginálneho filtračného vrečka môže spôsobiť dym alebo vznietenie.

POZNÁMKA: Ak v zariadení nie je vložené filtračné vrečko, kryt schránky na prach sa úplne nezavrie.

POZNÁMKA: V niektorých krajinách a regiónoch je vopred vložené opakovane použiteľné vrečko na prach. Pri vkladaní/vyberaní môžete postupovať rovnako ako v prípade filtračného vrečka.

1. Odistite páčku a otvorte kryt schránky na prach.
▶ Obr.7: 1. Páčka 2. Kryt schránky na prach

2. Úplne rozložte filtračné vrečko.
▶ Obr.8

3. Otvorte západku a filtračné vrečko vložte do výrezu na držiaku tak, aby sa najskôr vložila strana so značkou .
▶ Obr.9: 1. Západka 2. Výrez 3. Filtračné vrečko 4. Držiak

▶ Obr.10: 1. Značka 2. Štrbina

POZNÁMKA: Uistite sa, že cez štrbinu držiaka vidieť iba značku na kartóne.

4. Zaháknite západku držiaka.
▶ Obr.11: 1. Západka

5. Ak je filtračné vrečko zložené, rozložte ho.
▶ Obr.12

6. Pevne zaistite kryt schránky na prach.

⚠ POZOR: Pri zaháknutí západky a zatváraní krytu schránky na prach dávajte pozor, aby ste si neprecvikli prsty.

Vybratie filtračného vrecka

⚠ POZOR: S filtračným vrečkom manipulujte opatrne. V opačnom prípade sa vám do očí môžu dostať cudzie predmety a spôsobiť zranenie.

Keď sa filtračné vrečko naplní alebo upchá, vymeňte ho.

Otvorte kryt schránky na prach, potom západku a vyberte filtračné vrečko.

▶ Obr.13: 1. Západka

Potiahnutím pásika na strane otvoru zatvorte filtračné vrečko a celé filtračné vrečko zlikvidujte.

▶ Obr.14: 1. Pásik

UPOZORNENIE: Filtračné vrečko nepoužívajte opakovane. Filtračné vrečko je určené len na jedno použitie. Pri opakovanom použití filtračného vrečka môže dôjsť k upchatiu filtra a následnému poškodeniu zariadenia.

OPIS FUNKCIÍ

⚠ POZOR: Pred úpravou alebo kontrolou funkčnosti zariadenia vždy skontrolujte, či je zariadenie vypnuté a akumulátor vybratý.

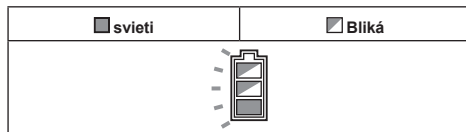
Systém na ochranu zariadenia/akumulátora

Zariadenie je vybavené systémom na ochranu zariadenia/akumulátora. Tento systém automaticky vypne napájanie motora s cieľom predĺžiť životnosť zariadenia a akumulátora. Zariadenie sa počas prevádzky automaticky zastaví v prípade, ak sa zariadenie alebo akumulátor dostanú do jedného z nasledovných stavov:

Ochrana proti preťaženiu

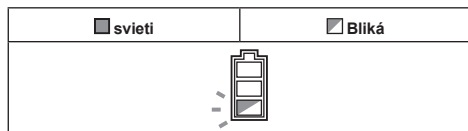
Keď sa zariadenie používa spôsobom, ktorý spôsobuje odber neštandardne vysokého prúdu, zariadenie sa automaticky vypne. V tejto situácii vypnite zariadenie a ukončíte používanie, ktoré spôsobuje jeho preťažovanie. Potom zariadenie zapnutím znova spustíte.

Ochrana pred prehrievaním



Keď je zariadenie prehriate, automaticky sa zastaví a indikátor akumulátora bude blikáť približne 60 sekúnd. V tejto situácii nechajte zariadenie pred jeho opätovným zapnutím vychladnúť.

Ochrana pred nadmerným vybitím



Keď sa kapacita akumulátora zníži, zariadenie sa automaticky zastaví a indikátor akumulátora začne blikat' približne na 60 sekúnd. Ak zariadenie nefunguje ani po použití vypínača, vyberte z neho akumulátor a nabite ho.

Indikácia zvyšnej kapacity akumulátora

Stlačením tlačidla kontroly na akumulátore zobrazíte zostávajúcu kapacitu akumulátora. Indikátory sa na niekoľko sekúnd rozsvietia.

► **Obr.15:** 1. Indikátory 2. Tlačidlo kontroly

Indikátory			Zostávajúca kapacita
Svieti	Nesvieti	Bliká	
■ ■ ■ ■	□ □ □ □	▣	75 % až 100 %
■ ■ ■ □	□ □ □ □	▣	50 % až 75 %
■ ■ □ □	□ □ □ □	▣	25 % až 50 %
■ □ □ □	□ □ □ □	▣	0 % až 25 %
▣ □ □ □	□ □ □ □	▣	Akumulátor nabíe.
■ ■ □ □	□ □ □ □	▣	Akumulátor je možno chybný.
□ □ ■ ■	□ □ □ □	▣	

POZNÁMKA: V závislosti od podmienok používania a v závislosti od okolitej teploty sa môže zobrazenie mierne odlišovať od skutočnej kapacity.

POZNÁMKA: Prvý (úplne vľavo) svetelný indikátor bude blikat', keď systém ochrany akumulátora funguje.

Kontrolný panel

► **Obr.16:** 1. Prevádzkový režim 2. Prekročená úroveň prachu 3. Chyba rotačnej kefy 4. Zostávajúca kapacita akumulátora 5. Tlačidlo kontroly akumulátora/kontroly

Prevádzkový režim

Informácie o zmene prevádzkového režimu nájdete v časti o zapínaní.

Prekročená úroveň prachu

Ak sa rozsvieti tento indikátor, vymeňte filtračné vrecko. (Pozrite si časť o vybratí filtračného vrecka.)

POZNÁMKA: Tento indikátor nemusí fungovať v závislosti od prostredia použitia.

POZNÁMKA: Indikátor sa vypne približne jednu minútu po vypnutí zariadenia. Ak vyčistíte upchaté filtračné vrecko a znova zapnete zariadenie, indikátor sa vypne do jednej minúty.

Chyba rotačnej kefy

Bliká	Rotačná kefa je z nejakého dôvodu pod veľkým zaťažením.
Svieti	Rotačná kefa sa zastavila z nezvyčajného dôvodu.

VAROVANIE: Keď sa počas prevádzky rozsvieti táto kontrolka, zariadenie okamžite vypnite. V opačnom prípade môže dôjsť k poruche motora a požiaru.

POZNÁMKA: Ak je výška rotačnej kefy príliš nízko nad povrchom koberca, kontrolka môže blikat'. V takom prípade nastavte výšku rotačnej kefy.

Zostávajúca kapacita akumulátora

Ak si počas prevádzky chcete pozrieť zostávajúcu kapacitu akumulátora, stlačte tlačidlo kontroly akumulátora/kontroly.

► **Obr.17**

Stav indikátora akumulátora			Zostávajúca kapacita akumulátora
Svieti	Nesvieti	Bliká	
■ ■ ■ ■	□ □ □ □	▣	50 % až 100 %
■ ■ ■ □	□ □ □ □	▣	20 % až 50 %
■ ■ □ □	□ □ □ □	▣	0 % až 20 %
▣ □ □ □	□ □ □ □	▣	Akumulátor nabíe

Tlačidlo kontroly akumulátora/kontroly

Môžete vykonať nasledujúce operácie.

- Jednoduchým stlačením tlačidla skontrolovať zostávajúcu kapacitu akumulátora.
- Stlačením a podržaním tlačidla počas prevádzky zapnete/vypnete kontrolku.

Zapínanie

- **Obr.18:** 1. Tlačidlo zmeny režimu 2. Tlačidlo ON/OFF (ZAPNÚŤ/VYPNÚŤ)

Zapnutie/vypnutie zariadenia

Stlačením tlačidla ON/OFF (ZAPNÚŤ/VYPNÚŤ) zariadenie zapnete a vypnete.

▲POZOR: Pred zapnutím zariadenia vždy najprv položte jeho hlavu na podlahu. V opačnom prípade môže dôjsť k nehode z dôvodu zamotania a zraneniu.

Zmena prevádzkového režimu

K dispozícii sú tieto tri prevádzkové režimy:

1. Nízka úroveň hlučnosti
2. Normálny
3. Vysoký

Ak chcete zmeniť prevádzkový režim, stlačte tlačidlo zmeny režimu. Prevádzkový režim je možné zmeniť, aj keď je zariadenie vypnuté. Zariadenie sa zapne v nastavenom režime.

POZNÁMKA: Vysávač sa zapne v rovnakom režime ako pri poslednom použití. Ak vyberiete akumulátor počas chodu motora po vypnutí, vysávač sa nemusí spustiť v rovnakom režime ako pri poslednom použití.

Zapnutie/vypnutie kontrolky

▲POZOR: Neďívajte sa priamo do svetla ani jeho zdroja.

Zariadenie je vybavené kontrolkami. Na použitie si pozrite časť o tlačidle kontroly akumulátora/kontroly.

- **Obr.19:** 1. Kontrolka

Páčka pre nohu

▲POZOR: Zariadenie pred pustením rukoväti vždy zaistite v zvislej polohe. V opačnom prípade môže zariadenie náhodne spadnúť a spôsobiť zranenie.

▲POZOR: Dávajte pozor, aby ste si nepricvikli prsty medzi hlavným telom a hlavou zariadenia.

Ak chcete zariadenie odistiť zo zvislej polohy, stúpňte na páčku pre nohu a potiahnite rukoväť dozadu. Rozsah pohybu zo zvislej polohy je 90 stupňov.

- **Obr.20:** 1. Páčka pre nohu

Ak chcete zariadenie zaistiť v zvislej polohe, zdvihnite rukoväť dopredu, kým páčka pre nohu kliknutím nezaistí polohu.

- **Obr.21**

▲POZOR: Pred použitím sa uistite, že ste odistili páčku pre nohu. Hrubé zaobchádzanie môže spôsobiť poškodenie dielov.




- **Obr.22**

POZNÁMKA: Kým je zariadenie v zvislej polohe, rotačná kefa sa neotáča.

Nastavenie výšky rotačnej kefy

▲POZOR: Pred uvedením do prevádzky sa vždy uistite, že nastavovacia páčka je v správnej polohe.

Výšku rotačnej kefy je možné nastaviť v 5 krokoch. Otočte nastavovaciu páčku do požadovanej polohy podľa nasledujúcej tabuľky.

Nastavenie polohy páčky	Výška rotačnej kefy
A 	Rotačná kefa zostáva umiestnená vyššie od podlahy, čo je vhodné na čistenie kobercov s dlhým vlasom.
B 	Rotačná kefa je umiestnená nižšie k podlahe, čo je vhodné na čistenie tvrdých podláh a kobercov s krátkym vlasom.
C 	Rotačná kefa sa vysunie až na podlahu, čo je účinné pri hlbokom čistení kobercov a odstraňovaní nečistôt, prachu a častíc usadených hlboko vo vláknach.

- **Obr.23:** 1. Nastavovacia páčka

POZNÁMKA: Rotačná kefa sa nemusí otáčať, ak je príliš nízko nad povrchom koberca.

Rukoväť na prenášanie

Zariadenie pri premiestňovaní tlačte iba po pomocných kolieskach alebo ho prenášajte držaním za rukoväť na prenášanie.

- **Obr.24**

▲POZOR: Zariadenie pri prenášaní zaistite v zvislej polohe. V opačnom prípade môže dôjsť k pádu.

▲POZOR: Zariadenie neprenášajte držaním za iné časti než rukoväť na prenášanie. V opačnom prípade môže dôjsť k pádu alebo náhodnému zapnutiu, ktoré spôsobí zranenie.

- **Obr.25**

PREVÁDZKA

▲POZOR: Počas prevádzky zo zariadenia nevytahujte tyč rukoväti. Ak tak urobíte, stratíte kontrolu nad zariadením a môže dôjsť k vážnemu zraneniu.

▲POZOR: Počas prevádzky pod zariadenie neumiestňujte ruku ani nohu. V opačnom prípade môže dôjsť k pricviknutiu.

▲POZOR: Zariadenie nepoužívajte pri nedostatočnom osvetlení. Práca pri slabom osvetlení môže prispieť k nepredvídanej nehode.

Bežné čistenie

1. Držte rukoväť a odistite zvislú polohu.
2. Zapnite zariadenie. Vycítite podlahu.

- **Obr.26**

Použitie bočnej kefy

Bočná kefa je vhodná na čistenie rohu stien. Ak sa bočná kefa skrúti, zariadenie odneste do servisného strediska spoločnosti Makita a požiadajte o výmenu.

► **Obr.27:** 1. Bočná kefa

Prevádzka s príslušenstvom

▲POZOR: Pri použití príslušenstva stále držte rukoväť. V opačnom prípade môže zariadenie náhodne spadnúť a spôsobiť zranenie.

UPOZORNENIE: Zariadenie pri použití príslušenstva zaistíte v zvislej polohe. V opačnom prípade môže otáčanie rotačnej kefy poškodiť podlahu.

Použitie hliníkovej trubice

Hliníková trubica je vhodná na čistenie tesných priestorov alebo vysokých miest.

► **Obr.28:** 1. Hliníková trubica

Použitie hadice

Hadica je vhodná na čistenie v blízkosti rúk.

► **Obr.29:** 1. Hadica

Ak chcete použiť hadicu, vytiahnite ju z hliníkovej trubice pri súčasnom stlačení páčky.

► **Obr.30:** 1. Páčka

Ak chcete pripojiť hadicu, zasuňte ju do hliníkovej trubice, kým nezacvakne.

► **Obr.31**

Používanie nastavcov

► **Obr.32**

Ak chcete nasadiť nastavtec, otočte ho a zasuňte do hliníkovej trubice alebo hadice. Ak ho chcete demontovať, otočte ho a vytiahnite.

ÚDRŽBA

▲POZOR: Pred vykonaním kontroly alebo údržby vždy skontrolujte, či je zariadenie vypnuté a akumulátor vybrať.

UPOZORNENIE: Nepoužívajte benzín, riedidlo, alkohol ani podobné látky. Mohlo by to spôsobiť zmenu farby, deformácie alebo praskliny.

Ak chcete udržať BEZPEČNOSŤ a BEZPORUCHOVOSŤ výrobku, prenechajte opravy, údržbu a nastavenie na autorizované alebo továrenské servisné centrá Makita, ktoré používajú len náhradné diely značky Makita.

Uskladnenie

Pri uskladnení vyberte akumulátor a zariadenie umiestnite v zvislej polohe na rovné miesto.

► **Obr.33**

Čistenie tela zariadenia

Z času na čas utrite vonkajšie plochy vysávača (tela vysávača) pomocou handričky navlhčenej v mydlovej vode.

► **Obr.34**

Čistenie filtra HEPA

▲POZOR: Nepoužívajte zariadenie bez filtra a nepoužívajte znečistený alebo poškodený filter. Povysávaný prach alebo čistočky sa môžu vyfukovať z vysávača a obsluhu spôsobiť ochorenie dýchacích ciest.

UPOZORNENIE: Ak chcete zaistiť optimálny sací výkon a čistý výfuk, filter čistíte pravidelne. Ak nie je možné dosiahnuť optimálny sací výkon ani po vyčistení filtra, filter vymeňte za nový.

UPOZORNENIE: Ak chcete zabrániť poškodeniu filtra, na čistenie nepoužívajte nasledujúce náradia ani podobné predmety:

- Odfukovač prachu
- Vysokotlakový čistič
- Náradia vyrobené z tvrdých materiálov, ako je napríklad drôtená kefa

1. Otvorte kryt schránky na prach a vyberte filtračné vrečko.

Uvoľnite háčiky na filtri a vyberte filter z tela zariadenia.

► **Obr.35:** 1. Háčik

2. Otrepaním odstráňte z filtra prach. Filter je možné vyčistiť vodou. Prach a čistočky z filtra zmyte raz za 1 alebo 2 mesiace. Potom filter úplne vysušte na tienistom a dobre vetranom mieste, aby sa netvoril nepríjemný zápach alebo aby nedošlo k poruchám.

3. Pri inštalácii filtra založte stranu bez háčikov do drážky, potom filter tlačte dnu, kým háčiky nezacvaknú.

► **Obr.36:** 1. Drážka 2. Filter HEPA 3. Háčik

Čistenie rotačnej kefy

1. Odstráňte spodnú dosku a vyberte rotačnú kefu.

Ak sú štetiny rotačnej kefy krátke, požiadajte servisné stredisko spoločnosti Makita o novú kefu.

Výsledkom používania zariadenia s rotačnou kefou s krátkymi štetinami bude slabé zbieranie prachu.

► **Obr.37:** 1. Spodná doska 2. Rotačná kefa

2. Pomocou nožnic odstráňte vlákna a vlasy z rotačnej kefy.

Zložte zátku a odstráňte nečistoty.

► **Obr.38:** 1. Zátka

3. Vložte zátku, rotačnú kefu a spodnú dosku v opačnom poradí.

► **Obr.39**

⚠️ POZOR: Umiestnite spodnú dosku späť do pevnej polohy, až kým obe zaistovacie páčky nezacvaknú na miesto. Ak budete zariadenie používať bez spodnej dosky, rotačná kefa sa môže uvoľniť, čo môže spôsobiť zranenie.

► **Obr.40:** 1. Spodná doska 2. Zaistovacia páčka

UPOZORNENIE: Rotačnú kefu vždy pripevnite. Výsledkom používania zariadenia bez rotačnej kefy bude slabé zbieranie prachu.

Ako vyčistiť upchatie

UPOZORNENIE: Zariadenie nepoužívajte, ak je upchatý prívod prúdenia vzduchu. Pri používaní vysávača s upchatým prívodom prúdenia vzduchu dôjde k zníženiu sacieho výkonu.

1. Odstráňte spodnú dosku a vyberte rotačnú kefu.
2. Odpojte hliníkovú trubicu od zariadenia a hadice.
3. Otočte hadicu proti smeru hodinových ručičiek a potom ju odpojte od zariadenia.
4. Potiahnutím výčnelka odpojte nasávaciu hadicu.
► **Obr.41:** 1. Spodná doska 2. Rotačná kefa
3. Hliníková trubicu 4. Hadica 5. Nasávacia hadica 6. Výčnelok

5. Skontrolujte prívod prúdenia vzduchu vo vnútri hliníkovej trubice, hadice a nasávacej hadice.

Odstráňte nečistoty z ich vnútra.

6. Jazýček nasávacej hadice zarovnajete s drážkou v kryte a zasuňte ho na miesto.

► **Obr.42:** 1. Jazýček 2. Drážka

7. Pripojte hadicu, hliníkovú trubicu, rotačnú kefu a spodnú dosku.

⚠️ POZOR: Hadicu a trubicu pripojte pevne. V opačnom prípade môže dôjsť k úniku prachu a zraneniu.

Vrečko na prach

Voliteľné príslušenstvo

Vrečko na prach možno po vyčistení používať opakovane.

Montáž a demontáž vrečka na prach

Postup vkladania a vyberania vrečka na prach je rovnaký ako v prípade filtračného vrečka. Prečítajte si časť pre vloženie filtračného vrečka a vybratie filtračného vrečka.

► **Obr.43:** 1. Vrečko na prach 2. Gumový uzáver

UPOZORNENIE: Pri vkladaní vrečka na prach najskôr otvorte gumový uzáver. Vložte vrečko na prach s gumovým uzáverom vzadu.

Vyprázdenie vrečka na prach

1. Zatvorte gumový uzáver v snahe zabrániť vypadnutiu prachu.
2. Vytiahnutím upínacieho prvku otvorte ústie vrečka.
3. Vyprázdnite obsah vrečka na prach, jemne ho vyprášte, aby ste odstránili nečistoty, ktoré sa v ňom zachytili.
► **Obr.44:** 1. Vrečko na prach 2. Gumový uzáver 3. Upínací prvok

UPOZORNENIE: Vrečko na prach pravidelne vyprázdňujte. Ak vo vrečku bude priveľa prachu, môže sa ľahko roztrhnúť.

Čistenie vrečka na prach

Vrečko na prach pravidelne čistíte mydlom a vodou. Vrečko na prach otočte naopak a odstráňte nalepený prach. Jemne preperte v rukách a dôkladne opláchnite vodou. Pred nasadením do vysávača úplne vysušte.

► **Obr.45**

UPOZORNENIE: Mokrú vrečko na prach znižuje výkon odsávania, rovnako ako životnosť motora.

UPOZORNENIE: Pri montáži upínacieho prvku na vrečko na prach sa uistite, že je ústie vrečka bezpečne zatvorené.

CYKLÓNOVÝ NADSTAVEC

Voliteľné príslušenstvo

► **Obr.46:** 1. Cyklónový nadstavec

O cyklónovom nadstavci

Používanie vysávača s namontovaným cyklónovým nadstavcom znižuje množstvo prachu, ktoré sa dostane do filtračného vrečka, čo pomáha zabrániť zníženiu sacieho výkonu. Okrem toho je jednoduchšie aj čistenie po použití.

⚠️ POZOR: Pred vykonaním akejkoľvek práce na nástroji vždy skontrolujte, či je nástroj vypnutý a akumulátor vybatý. Ak ostane akumulátor vložený, vysávač sa môže neočakávane zapnúť a spôsobiť zranenie.

⚠️ POZOR: Vyčistite sitkový filter cyklónového nadstavca a filtračné vrečko vysávača, keď sa upchajú. Ich ďalšie používanie v upchatom stave môže spôsobiť zohriatie alebo dym.

UPOZORNENIE: Keď je pripojený cyklónový nadstavec, nepoužívajte ho vo vodorovnej polohe alebo v polohe smerom hore. V opačnom prípade sa môže sitkový filter upchať.

UPOZORNENIE: Vysávač používajte vždy s vloženým filtračným vrečkom, aj keď používate cyklónový nadstavec. Používanie vysávača bez vloženého filtračného vrečka môže spôsobiť poruchu motora.

POZNÁMKA: Pred použitím skontrolujte, či sú cyklónový nadstavec, vysávač a rovná trubica riadne zaistené.

POZNÁMKA: Keď sa prach nahromadí, vyprázdnite nádobu na prach cyklónového nadstavca a filtračné vrecko vysávača. Ďalšie používanie spôsobí zníženie sacieho výkonu.

Inštalácia cyklónového nadstavca

1. Otočte manžetu na hadici proti smeru hodinových ručičiek a demontujte hadicu, držadlo trubice a hliníkovú trubicu zo zariadenia.

► **Obr.47:** 1. Manžeta 2. Hadica 3. Držadlo trubice 4. Hliníková trubica

2. Otočte stranu zarážky cyklónového nadstavca smerom nahor a zarovnajme zarážku s drážkou nasávacieho otvoru. Zaisťte zarážku vložení cyklónového nadstavca, až kým nezacvakne. Jemne potiahnite za cyklónový nadstavec s cieľom uistiť sa, že neodpadne. Vložte rovnú trubicu podľa rovnakého postupu ako pri cyklónovom nadstavci.

► **Obr.48:** 1. Držadlo pre cyklónový nadstavec 2. Nasávací otvor 3. Cyklónový nadstavec 4. Rovná trubica pre cyklónový nadstavec 5. Zarážka 6. Tlačidlo zaistenia

3. Na zariadenie namontujte cyklónový nadstavec a potom ho zaisťte otočením manžety na hadici v smere hodinových ručičiek.

► **Obr.49**

Vyprázdnenie prachu

Keď sa prach nahromadí až po plnú čiaru nádoby na prach, vyprázdnite ho podľa nasledujúcich pokynov.

1. Pevne uchopte nádobu na prach, stlačte a držte dve tlačidlá a nádobu na prach vyberte.

► **Obr.50:** 1. Plná čiara 2. Nádobu na prach 3. Tlačidlo (dve miesta) 4. Sitkový filter

2. Vyprázdnite prach z nádoby na prach a odstráňte prach a jemný prach nalepené na povrchu sitkového filtra.

3. Nádobu na prach vložte úplne dnu, kým sa dve tlačidlá nezaistia zacvaknutím.

► **Obr.51:** 1. Nádobu na prach 2. Tlačidlo (dve miesta)

POZNÁMKA: Pri montáži nádoby na prach pevne uchopte cyklónový nadstavec.

POZNÁMKA: Pred opätovným zapnutím skontrolujte, či sú cyklónový nadstavec, vysávač a rovná trubica riadne zaistené.

POZNÁMKA: Indikátor prekročenej úrovne prachu na vysávači sa nerozsvieti, keď sa naplní protiprachový kryt cyklónového nadstavca.

POZNÁMKA: Za nasledujúcich podmienok skontrolujte, či sa vo filtračnom vrecku vysávača nenahromadil prach alebo či nedošlo k upchatiu vzduchovej dráhy. V prípade potreby odstráňte príčiny.

- Ak sa sací výkon nezlepší po odstránení prachu z protiprachového krytu a vyčistení sitkového filtra.
- Ak indikátor prekročenej úrovne prachu na vysávači naďalej svieti.

Čistenie

Keď sa znečistí nádoba na prach alebo sa upchá sitkový filter, vyberte ich a umyte vo vode. (Postup pri vyberaní nájdete v časti „Vyprázdnenie prachu“.)

Súčasť pred opätovným vložení a použitím dôkladne vysušte.

► **Obr.52:** 1. Nádobu na prach 2. Sitkový filter

Keď sa sitkový filter veľmi znečistí, vyčistite ho podľa nasledujúceho postupu.

1. Otočte sitkový filter proti smeru hodinových ručičiek a keď sú háčiky odistené, vyberte ho.

► **Obr.53:** 1. Sitkový filter 2. Háčik

2. Odstráňte prach na sitkovom filtri a umyte ho vo vode. Potom ho dôkladne vysušte.

3. Sitkový filter vložte do základne a háčiky zarovnajme s otvorom. Otočte sitkový filter v smere hodinových ručičiek, kým sa háčiky nezaistia zacvaknutím. Uistite sa, že je sitkový filter bezpečne nainštalovaný.

► **Obr.54:** 1. Sitkový filter 2. Háčik 3. Otvor

RIEŠENIE PROBLÉMOV

Pred požiadanim o vykonanie opravy najprv vykonajte vlastnú kontrolu. Ak zistíte problém, ktorý nie je vysvetlený v tomto návode, nepokúšajte sa stroj rozoberať. Namiesto toho požiadajte o opravu autorizované servisné strediská spoločnosti Makita, ktoré používajú len náhradné diely značky Makita.

Príznak	Pravdepodobná príčina	Náprava
Nefunguje	Akumulátor nie je vložený správne.	Akumulátor vložte podľa popisu v tomto návode.
	Akumulátor je vybitý.	Akumulátor nabitie.
	Rukoväť nie je pripevnená správne.	Rukoväť pevne pripevnite podľa popisu v tomto návode.
Rotačná kefa sa neotáča	Zariadenie je zaistené v zvislej polohe.	Odstíte zvislú polohu zariadenia.
	Svieti indikátor chyby rotačnej kefy.	Skontrolujte, či v okolí rotačnej kefy (telo, zátka a spojka) nedošlo k zamotaniu.
Slabý sací výkon	Svieti indikátor prekročenej úrovne prachu.	Vymeňte filtračné vrecko. Ak filtračné vrecko nie je plné, rozložte ho a zatrasťe ním, aby sa uvoľnilo upchatie.
	⇒Ak sa problém nevyrieši výmenou filtračného vrecka...	Vyčistite alebo vymeňte HEPA filter. Skontrolujte, či hadica a trubica nie sú upchaté nečistotami.
	V rotačnej kefe sú zamotané nečistoty a rýchlosť jej otáčania je nižšia.	Skontrolujte, či v okolí rotačnej kefy (telo, zátka, spojka) nedošlo k zamotaniu.
	Rotačná kefa je príliš vysoko nad podlahou.	Znížte výšku rotačnej kefy.
	Štetiny rotačnej kefy sú krátke.	Vymeňte rotačnú kefu. Znížte výšku rotačnej kefy.
	Zariadenie pracuje v nízkom režime.	Prepnite na vyšší prevádzkový režim.
	Nie je vložená rotačná kefa.	Vložte rotačnú kefu.
	Trubica alebo hadica je vložená nesprávne.	Trubicu alebo hadicu vložte správne.
Vysoký hluk pri prevádzke	Zariadenie pracuje vo vysokom režime.	Prepnite na nižší prevádzkový režim.
	V rotačnej kefe sú zamotané nečistoty.	Skontrolujte, či v okolí rotačnej kefy (telo, zátka a spojka) nedošlo k zamotaniu.
	Filteračné vrecko je plné prachu.	Vymeňte filtračné vrecko.
	⇒Ak sa problém nevyrieši výmenou filtračného vrecka...	Vyčistite alebo vymeňte HEPA filter. Skontrolujte, či hadica a trubica nie sú upchaté nečistotami.
Po krátkom používaní bliká indikátor prekročenej úrovne prachu	Filteračné vrecko je ohnuté.	Pred nasadením filtračného vrecka roztvorte jeho vstup.
Nesvieti kontrolka	Nastavenie kontrolky je vypnuté.	Kontrolku počas prevádzky zapnete stlačením a podržaním tlačidla kontroly akumulátora/kontrolky.
Pomocné koliesko sa ťažko otáča	V pomocnom koliesku sú zamotané nečistoty.	Odstraňte nečistoty z pomocného kolieska.

VOLITEĽNÉ PRÍSLUŠENSTVO

⚠ POZOR: Pre váš nástroj Makita, opísaný v tomto návode, doporučujeme používať toto príslušenstvo a nástavce. Pri použití iného príslušenstva či nástavcov môže hroziť nebezpečenstvo zranenia osôb. Príslušenstvo a nástavce sa môžu používať len na účely pre ne stanovené.

- Cyklónový nadstavec
- Filter HEPA
- Filtračné vrecko
- Vrecko na prach
- Originálna batéria a nabíjačka Makita

POZNÁMKA: Niektoré položky zo zoznamu môžu byť súčasťou balenia nástrojov vo forme štandardného príslušenstva. Rozsah týchto položiek môže byť v každej krajine odlišný.

Ak potrebujete bližšie informácie týkajúce sa tohoto príslušenstva, obráťte sa na vaše miestne servisné stredisko firmy Makita.

- Rohová hubica
- Okrúhla kefa

VAROVÁNÍ

- Pro uživatele v Evropě: Zařízení mohou používat děti od 8 let a osoby s omezenými fyzickými, smyslovými či duševními schopnostmi nebo s nedostatečnými zkušenostmi a znalostmi, jestliže jsou pod dohledem nebo pokud byly poučeny ohledně bezpečného používání výrobku a rozumí souvisejícím rizikům. Nedovolte dětem, aby si se zařízením hrály. Čištění a uživatelskou údržbu nesmí provádět děti bez dozoru.
- Pro uživatele v jiných částech světa mimo Evropu: Toto zařízení není určeno k používání osobami (včetně dětí) s omezenými fyzickými, smyslovými či duševními schopnostmi nebo s nedostatečnými zkušenostmi a znalostmi, jestliže nejsou pod dohledem nebo pokud nebyly ohledně používání zařízení poučeny osobou odpovědnou za vaši bezpečnost.
- Děti musí být pod dohledem, aby si se zařízením nehrály.
- **UPOZORNĚNÍ:** Před prováděním jakékoli údržby odpojte zařízení od napájení. Pravidelně na zařízení provádějte údržbu.
- Před nabíjením musíte dobíjecí akumulátory ze zařízení vyjmout.
- Chcete-li akumulátor vyjmout nebo vložit, vysuňte jej se současným stiskem tlačítka na přední straně akumulátoru.
- Vybité akumulátory je nutno ze zařízení vyjmout a bezpečně zlikvidovat. Dodržujte místní předpisy týkající se likvidace akumulátorů.
- Pokud se zařízení delší dobu nepoužívá, měly by být vyjmuty akumulátory.
- Napájecí svorky nesmí být zkratovány.

Použitelný akumulátor a nabíječka

Akumulátor	BL4020 / BL4025 / BL4040 / BL4040F / BL4050F / BL4080F
Nabíječka	DC40RA / DC40RB / DC40RC

- V závislosti na regionu vašeho bydliště nemusí být některé akumulátory a nabíječky k dispozici.

VAROVÁNÍ: Používejte pouze výše uvedené akumulátory a nabíječky. Použití jiných akumulátorů a nabíječek může způsobit zranění a/nebo požár.

SPECIFIKACE

Model:	VC010G
Maximální objem vzduchu ^{*1}	1,8 m ³ /min
Podtlak ^{*1}	15 kPa
Kapacita	5 l
Rozměry (D × Š × V)	326 mm × 381 mm × 1 146 mm
Jmenovité napětí	36 V – 40 V DC max
Hmotnost netto	8,0 – 9,2 kg

^{*1} Hodnota je měřena naší originální metodou.

- Vzhledem k neustálému výzkumu a vývoji zde uvedené technické údaje podléhají změnám bez upozornění.
- Specifikace se mohou pro různé země lišit.
- Hmotnost se uvádí včetně příslušenství (hubice s kulatým kartáčem, rohové hubice) a akumulátorů. Tabulka uvádí nejlehčí a nejtěžší kombinace zařízení a akumulátorů.

Symbyoly

Níže jsou uvedeny symbyoly, se kterými se můžete při použití nářadí setkat. Je důležité, abyste dříve, než s ním začnete pracovat, pochopili jejich význam.



Přečtěte si návod k obsluze.



Buďte obzvláště opatrní a dávejte pozor.



V tomto výrobku je použit reprezentativní akumulátor.



Pouze pro země EU
Z důvodu přítomnosti nebezpečných součástí v zařízení mohou odpadní elektrické a elektronické zařízení, akumulátory a baterie negativně ovlivnit životní prostředí a lidské zdraví. Elektrické a elektronické spotřebiče ani akumulátory nevyhazujte do domovního odpadu! V souladu s evropskou směrnicí o odpadních elektrických a elektronických zařízeních, akumulátorech a bateriích a odpadních akumulátorech a bateriích, stejně jako jejím přizpůsobením ve vnitrostátním právu, by odpadní elektrická zařízení, baterie a akumulátory měly být uchovávány odděleně a měly by být odevzdány na vyhrazeném sběrném místě komunálního odpadu, které je provozováno v souladu s předpisy na ochranu životního prostředí. Toto je označeno symbolem přeškrtnuté popelnice na kolečkách, který je umístěn na zařízení.

Účel použití

Zařízení je určeno k vysávání suchého prachu. Zařízení je vhodné k průmyslovému využití například v hotelech, ve školách, v nemocnicích, továrnách, obchodech, kancelářích či půjčovnách.

Hlučnost

Typická vážená hladina hluku (A) určená podle normy IEC60335-2-69:

Hladina akustického tlaku (L_{pA}): 70 dB(A) nebo méně
Nejistota (K): 2,5 dB(A)

Hladina hluku při práci může překročit hodnotu 80 dB (A).

POZNÁMKA: Celková(é) hodnota(y) emisí hluku byla(y) změněna(y) v souladu se standardní zkušební metodou a dá se použít k porovnání nářadí mezi sebou.

POZNÁMKA: Hodnotu(y) deklarovaných emisí hluku lze také použít k předběžnému posouzení míry expozice vibracím.

VAROVÁNÍ: Používejte ochranu sluchu.

VAROVÁNÍ: Emise hluku se při používání elektrického nářadí ve skutečnosti mohou od deklarované(y) hodnot(y) lišit v závislosti na způsobech použití nářadí.

VAROVÁNÍ: Nezapomeňte stanovit bezpečnostní opatření na ochranu obsluhy podle odhadu expozice ve skutečných podmínkách použití. (Vezměte přitom v úvahu všechny části provozního cyklu, tj. kromě doby zátěže například doby, kdy je nářadí vypnuté a kdy běží naprázdno.)

Vibrace

Celková hodnota vibrací (vektorový součet tří os) určená podle normy IEC60335-2-69:

Emise vibrací ($a_{h,M}$): 2,5 m/s^2 nebo méně
Nejistota (K): 1,5 m/s^2

POZNÁMKA: Celková(é) hodnota(y) deklarovaných vibrací byla(y) změněna(y) v souladu se standardní zkušební metodou a dá se použít k porovnání nářadí mezi sebou.

POZNÁMKA: Celkovou(é) hodnotu(y) deklarovaných vibrací lze také použít k předběžnému posouzení míry expozice vibracím.

VAROVÁNÍ: Emise vibrací se při používání elektrického nářadí ve skutečnosti mohou od deklarované(y) hodnot(y) lišit v závislosti na způsobech použití nářadí.

VAROVÁNÍ: Nezapomeňte stanovit bezpečnostní opatření na ochranu obsluhy podle odhadu expozice ve skutečných podmínkách použití. (Vezměte přitom v úvahu všechny části provozního cyklu, tj. kromě doby zátěže například doby, kdy je nářadí vypnuté a kdy běží naprázdno.)

Prohlášení o shodě

Pouze pro evropské země

Prohlášení o shodě jsou obsažena v Příloze A tohoto návodu k obsluze.

BEZPEČNOSTNÍ VÝSTRAHY

Bezpečnostní výstrahy k akumulátorovému vysavači

VAROVÁNÍ: DŮLEŽITÉ: PŘED POUŽITÍM SI POZORNĚ PŘEČTĚTE veškeré bezpečnostní výstrahy a všechny pokyny. Zanedbání výstrah a pokynů může mít za následek úraz elektrickým proudem, vznik požáru nebo vážné zranění.

1. Před použitím zjistěte, aby s vysavačem pracovaly osoby, jež jsou s používáním zařízení dostatečně obeznámeny.
2. Nepoužívejte bez filtračního vaku a/nebo filtrů. Poškozený filtr ihned vyměňte.
3. ZAMEZTE NECHTĚNÉMU SPUŠTĚNÍ. Během instalace akumulátoru/akumulátorů se ujistěte, zda je přepínač v poloze VYP.
4. Nevysávejte hořlavé materiály, pyrotechniku, hořící cigarety, horký popel, horké třísky ani ostré materiály jako žiletky, jehly, rozbité sklo atp.
5. S VYSÁVAČEM NIKDY NEPRACUJTE V BLÍZKOSTI LÁTEK, JAKO JE BENZÍN, PLYN, BARVY, LEPIDLO ČI JINÉ VYSOCE VÝBUŠNĚ HMOTY. Při přepínání poloh ZAP. a VYP. přepínač jiskří. Stejně tak při provozu jiskří i komutátor motoru. Mohlo by dojít k nebezpečnému výbuchu.

6. Tento vysavač není vhodný k vysávání nebezpečného prachu.
 7. Nikdy nevysávejte toxické, karcinogenní, hořlavé či jiné nebezpečné materiály jako azbest, arzén, baryum, beryllium, olovo, pesticidy či jiné látky ohrožující zdraví.
 8. Nevysávejte pěnu jako prostředek na čištění koberců atd. Může to způsobit výbuch nebo požár.
 9. Nepoužívejte venku ani na mokřích plochách.
 10. Ve Finsku není tento stroj určen pro používání venku při nízké teplotě.
 11. Nepracujte se zařízením v blízkosti zdrojů tepla (u kamen atp.).
 12. Neblokujte vstupy sání/výstupy/chladičí otvory. Tyto otvory umožňují chlazení motoru. Blokování je třeba pozorně zamezit, jinak se motor z důvodu nedostatku ventilace spálí.
 13. Nepřehýbejte hadici, netahejte za ni a nešlapejte po ní.
 14. Při zpozorování slabého výkonu či jiného nenormálního chování během provozu vysavač okamžitě vypněte.
 15. **VYJMĚTE AKUMULÁTOR(Y).** Pokud jej nepoužíváte, před prováděním servisních zásahů a při výměně příslušenství.
 16. V rámci uchování vysavače v optimální provozuschopnosti proveďte bezprostředně po každém použití vyčištění a údržbu.
 17. **O VYSAVAČ SE PEČLIVĚ STAREJTE.** Vysavač udržujte v čistotě – zajistíte tak lepší a bezpečnější výkon. Při výměně příslušenství postupujte podle pokynů. Držadla udržujte suchá, čistá a chraňte je před olejem a mazacím tukem.
 18. **ZKONTROLUJTE, ZDA NEJSOU POŠKOZENY DÍLY.** Před dalším používáním vysavače je nutné pečlivě zkontrolovat kryty i jakékoli jiné poškozené díly a zjistit, zda bude zařízení i nadále správně pracovat a plnit příslušnou funkci. Zkontrolujte vyrovnaní pohyblivých částí, spoje pohyblivých částí, zda nejsou některé díly rozbité či uvolněné a zda nenastaly nějaké potíže ovlivňující funkci. Pokud není jinde v tomto návodu k obsluze stanoveno jinak, musí být poškozený kryt či jiný díl řádně opraven nebo vyměněn autorizovaným servisním střediskem. Vadné přepínače musí být vyměněny autorizovaným servisním střediskem. Jestliže zařízení nelze přepínačem zapnout a vypnout, nepoužívejte jej.
 19. **NÁHRADNÍ DÍLY:** Při opravách používejte pouze identické náhradní díly.
 20. Když vysavač nepoužíváte, vždy jej skladujte uvnitř.
 21. S vysavačem zacházejte ohleduplně. Hrubým zacházením můžete rozbit i nejdodnější zařízení.
 22. Vysavač nečistěte zvenku ani zevnitř benzínem, ředidlem ani čistícími chemikáliemi. Mohlo by dojít ke vzniku prasklin a změnám barvy.
 23. Vysavač nepoužívejte v uzavřených prostorech s hořlavými, výbušnými či jedovatými výpary vznikajícími z olejových nátěrů, ředidel, benzínu, přípravků proti molům atd., ani v oblastech s hořlavým prachem.
 24. S tímto ani s žádným jiným zařízením nepracujte pod vlivem léků či alkoholu.
 25. Použijte odpovídající ochranné prostředky, jako je například maska, v závislosti na prostředí použití.
 26. Toto zařízení není určeno k používání osobami (včetně dětí) s omezenými fyzickými, smyslovými či duševními schopnostmi nebo s nedostatečnými zkušenostmi a znalostmi.
 27. Děti musí být pod dohledem, aby si s vysavačem nehrály.
 28. S akumulátorem/akumulátory ani s vysavačem nikdy nemanipulujte mokřima rukama.
 29. Obzvláště opatrní buďte při práci na schodech.
 30. Nepoužívejte vysavač na nestabilních nebo nakloněných místech, aby nedošlo k jeho pádu a následnému zranění nebo poškození.
 31. Udržujte vždy správný postoj a rovnováhu.
 32. Vysavač nepoužívejte jako sedátko či pracovní stůl. Zařízení by mohlo spadnout a následně způsobit zranění.
 33. Udržujte části svého těla a oblečení v bezpečné vzdálenosti od otvorů a pohyblivých částí, jako je například rotující válcový kartáč. Jinak by se mohly zaplést do zařízení a způsobit zranění.
- Práce s akumulátorovým nářadím a péče o něj**
1. Nabíjení provádějte pouze pomocí nabíječky určené výrobcem. Nabíječka vhodná pro jeden typ akumulátoru může při použití s jiným akumulátorem vést ke vzniku nebezpečí požáru.
 2. Elektrické nářadí používejte pouze s určenými akumulátory. Použití jiných akumulátorů může vyvolat nebezpečí zranění a požáru.
 3. Pokud akumulátor nepoužíváte, udržujte jej mimo dosah jiných kovových předmětů, jako jsou kancelářské sponky, mince, klíče, hřebíky, šrouby nebo jiné malé kovové předměty, které mohou propojit svorky akumulátoru. Zkratování svorek akumulátoru může způsobit popáleniny nebo požár.
 4. Při hrubém zacházení může z akumulátoru uniknout elektrolyt. Vyvarujte se styku s ním. Pokud dojde k náhodnému kontaktu, omyjte zasažené místo vodou. Pokud elektrolyt zasáhne oči, vyhledejte lékařskou pomoc. Elektrolyt uniklý z akumulátoru může způsobit podráždění nebo popálení pokožky.
 5. **Nepoužívejte poškozený nebo upravený akumulátor nebo nářadí.** U poškozených nebo upravených akumulátorů může dojít k neočekávanému chování, které může mít za následek požár, výbuch nebo riziko poranění.
 6. **Akumulátor nebo nářadí nevystavujte ohni nebo vysokým teplotám.** Při vystavení žáru ohně nebo teplotám nad 130 °C může dojít k výbuchu.
 7. **Postupujte dle nabíjecích pokynů a akumulátor nebo nářadí nenabíjejte mimo teplotní rozsah specifikovaný v pokynech.** Nesprávné nabíjení při teplotách mimo stanovený rozsah může poškodit akumulátor a zvýšit riziko požáru.

TYTO POKYNY USCHOVEJTE.

VAROVÁNÍ: NEDOVOLTE, aby pohodlnost nebo pocit znalosti výrobku (získaný na základě předchozího použití) vedl k zanedbání dodržování bezpečnostních pravidel platných pro tento výrobek. NESPRÁVNÉ POUŽÍVÁNÍ či nedodržení bezpečnostních pravidel uvedených v tomto návodu k obsluze může způsobit vážné zranění.

Důležitá bezpečnostní upozornění pro akumulátor

1. Před použitím akumulátoru si přečtěte všechny pokyny a varovné symboly na (1) nabíječce, (2) akumulátoru a (3) výrobku využívaným akumulátor.
2. Nerozebírejte akumulátor ani do něj nijak nezasahujte. Může dojít k požáru, nadměrnému zahřátí nebo výbuchu.
3. Pokud se příliš zkrátí provozní doba akumulátoru, přerušte okamžitě práci. V opačném případě existuje riziko přehřívání, popálení nebo dokonce výbuchu.
4. Budou-li vaše oči zasaženy elektrolytem, vypláchněte je čistou vodou a okamžitě vyhledejte lékařskou pomoc. Může dojít ke ztrátě zraku.
5. Akumulátor nezkratujte:
 - (1) Nedotýkejte se svorek žádným vodivým materiálem.
 - (2) Neskladujte akumulátor v nádobě s jinými kovovými předměty, jako jsou hřebíky, mince, apod.
 - (3) Nevystavuje akumulátor vodě a dešti. Zkrat akumulátoru může způsobit velký průtok proudu, přehřátí, možné popálení a dokonce i poruchu.
6. Neskladujte a nepoužívejte nářadí a akumulátor na místech, kde může teplota překročit 50 °C (122 °F).
7. Nespalujte akumulátor, ani když je vážně poškozen nebo úplně opotřeben. Akumulátor může v ohni vybuchnout.
8. Akumulátor nesmí být proražen hřebíkem, řezán, drcen, házen či upuštěn na zem, ani nesmí dojít k nárazu tvrdého předmětu do něj. Taková situace může způsobit požár, nadměrné zahřátí či výbuch.
9. Nepoužívejte poškozené akumulátory.
10. Obsažené lithium-iontové akumulátory podléhají právním požadavkům na nebezpečné zboží.

V případě komerční přepravy například externími dopravci je třeba dodržet zvláštní požadavky na balení a značení.

Pro přípravu zboží k přepravě je nutná konzultace s odborníkem na nebezpečný materiál. Dodržujte také případné podrobnější národní předpisy.

Odkryté kontakty přelepte izolační páskou či jinak zakryjte a akumulátory zabalte tak, aby se v balení nemohly pohybovat.

11. Při likvidaci akumulátoru jej vyjměte z nářadí a zlikvidujte jej na bezpečném místě. Při likvidaci akumulátoru postupujte podle místních předpisů.
12. Akumulátor používejte pouze s výrobky specifikovanými společností Makita. Instalace akumulátoru do nevhovujících výrobků může způsobit požár, nadměrné zahřívání, explozi nebo únik elektrolytu.
13. Pokud nářadí delší dobu nepoužíváte, je nutné z něj akumulátor vyjmout.
14. Během a po použití se může akumulátor zahřát, což může způsobit popálení nebo podráždění. Při manipulaci s horkými akumulátory dávejte pozor.
15. Nedotýkejte se koncovky na nářadí ihned po použití, protože ta může být horká a způsobit popálení.
16. Do koncovek, otvorů a zdiřek na akumulátoru se nesmí dostat piliny, prach nebo jiné nečistoty. To může způsobit zahřátí, vznícení, prasknutí a poruchu nářadí nebo akumulátoru, což může vést k popáleninám nebo zranění osob.
17. Jestliže nářadí není zkonstruováno tak, že jej lze používat v blízkosti vysokého elektrického napětí, nepoužívejte akumulátor poblíž vedení s vysokým elektrickým napětím. Mohlo by tím dojít k poruše či selhání nářadí či akumulátoru.
18. Akumulátor uchovávejte mimo dosah dětí.

TYTO POKYNY USCHOVEJTE.

UPOZORNĚNÍ: Používejte pouze originální akumulátory Makita. Používání neoriginálních nebo upravených akumulátorů může způsobit explozi akumulátoru a následný požár, zranění a jiné poškození. Zaniká tím také záruka společnosti Makita na nářadí a nabíječku Makita.

Tipy k zajištění maximální životnosti akumulátoru

1. Akumulátor nabíjte dříve, než dojde k jeho úplnému vybití. Pokud si povšimnete sníženého výkonu nářadí, vždy jej zastavte a dobijte akumulátor.
2. Nikdy nenabíjete úplně nabíjený akumulátor. Přebíjení zkracuje životnost akumulátoru.
3. Akumulátor dobíjejte při pokojové teplotě od 10 °C do 40 °C (50 °F až 104 °F). Před nabíjením nechejte horký akumulátor zchladnout.
4. Když není akumulátor používán, vyjměte ho z nářadí či nabíječky.
5. Pokud se akumulátor delší dobu nepoužívá (déle než šest měsíců), je nutno jej dobít.

POPIS SOUČÁSTÍ

► Obr.1

1	Držadlo	2	Ploška se spínači	3	Rukojeť trubice	4	Hadice
5	Kontrolní panel	6	Páčka (krytu prachové nádoby)	7	Kryt prachové nádoby	8	Držadlo k přenášení
9	Akumulátor	10	Seřizovací páčka	11	Rohová hubice	12	Hubice s kulatým kartáčem
13	Pedál	14	Kolečko	15	Boční kartáč	16	Sací hadice
17	Spojka	18	Hliníková trubice	19	Držák trubice	20	Světlo
21	Válcový kartáč	22	Spodní deska	23	Tlačítko změny režimu	24	Tlačítko zapnutí/vypnutí
25	Kontrolka provozního režimu	26	Kontrolka nadměrné hladiny prachu	27	Kontrolka chyby válcového kartáče	28	Kontrolka zbývající kapacity akumulátoru
29	Tlačítko kontroly akumulátoru / světla	-	-	-	-	-	-

SESTAVENÍ

▲ UPOZORNĚNÍ: Před prováděním jakýchkoli prací na zařízení se vždy přesvědčte, zda je zařízení vypnuté a je z něj vyjmut akumulátor.

▲ UPOZORNĚNÍ: Sestavování a údržbu vždy provádějte s nasazenou prachovou maskou.

Připojení držadla

1. Podle obrázku zcela zasuňte tyč držadla do těla vysavače.
 2. Uzavřete západku zámku.
- **Obr.2:** 1. Tyč držadla 2. Červená značka
3. Západka zámku

POZOR: Zasuňte držadlo zcela tak, aby nebyla červená značka vidět.

Připojení hadice

Hadici zasuňte do příslušného otvoru zařízení a otočným ji zajistěte.

► **Obr.3:** 1. Montážní port

Připojení trubice

Zasuňte konec hliníkové trubice do spojky a poté připevněte hliníkovou trubici k držáku trubice.

► **Obr.4:** 1. Spojka 2. Držák trubice

POZOR: Hliníkovou trubici zasuňte správným směrem dle obrázku. Jinak nebude držák trubice zajištěný a hliníková trubice se může uvolnit.

► **Obr.5**

Nasazení a sejmutí akumulátoru

▲ UPOZORNĚNÍ: Před vložením nebo vyjmutím akumulátoru zařízení vždy vypněte.

▲ UPOZORNĚNÍ: Při nasazování či snímání akumulátoru pevně držte vysavač i akumulátor. V opačném případě vám může vysavač nebo akumulátor vyklouznout z rukou a mohlo by dojít k jejich poškození či ke zranění.

▲ UPOZORNĚNÍ: Při vkládání akumulátoru si počínejte opatrně, abyste si neskřípli prsty. V opačném případě by mohlo dojít ke zranění.

▲ UPOZORNĚNÍ: Nevkládejte ani nevyjímejte akumulátor mokřýma rukama. Hrozí nebezpečí úrazu elektrickým proudem.

Vyrovnejte jazyček na bloku akumulátoru s drážkou v krytu a zasuňte akumulátor na místo. Akumulátor zasuňte na doraz, až zacvakne na své místo.

► **Obr.6:** 1. Akumulátor 2. Tlačítko

Chcete-li akumulátor vyjmout, vyjměte jej ze zařízení se současným přesunutím tlačítka na přední straně akumulátoru nahoru.

▲ UPOZORNĚNÍ: Akumulátor vždy vkládejte zcela. Pokud tak neučiníte, může ze zařízení náhodně vypadnout a způsobit vám nebo osobám ve vašem okolí způsobit zranění.

▲ UPOZORNĚNÍ: Akumulátor nenasazujte násilím. Nelze-li akumulátor zasunout snadno, nevkládáte jej správně.

Vložení filtračního vaku

⚠️ UPOZORNĚNÍ: Nepoužívejte poškozený filtrační vak. Vysavač vždy používejte s náležitě vloženým filtračním vakem. V opačném případě by mohlo dojít k rozptýlení prachu nebo částic z vysavače do okolí a následným dýchacím potížím obsluhy.

Filtrační vak vložte ještě před použitím vysavače. Filtrační vak je spotřební zboží. Po jeho naplnění vyhodte celý filtrační vak bez vysypávání.

POZOR: Když je filtrační vak plný nebo ucpaný, vyměňte ho za nový. Pokud budete plný nebo ucpaný filtrační vak dále používat, dojde k poklesu sacího výkonu.

POZOR: Aby do motoru nevníkl prach:

- Před použitím vysavače zkontrolujte, zda je vložen filtrační vak.
- Nepoužívejte poškozený nebo protřený vak.

Jinak by mohlo dojít k poškození motoru.

POZOR: Při vkládání filtračního vaku nepřehýbejte lepenkovou část u otvoru.

POZOR: Filtrační vak je důležitou součástí pro zachování výkonu vysavače. Použití neoriginálního filtračního vaku může způsobit kouř nebo vzplanutí.

POZNÁMKA: Není-li do vysavače vložen filtrační vak, kryt prachové nádoby se zcela neuzavře.

POZNÁMKA: V některých zemích a regionech je předem vložen opakovaně použitelný vak na prach. Při vkládání/vyjímání můžete postupovat stejně, jako u filtračního vaku.

1. Odjistěte páčku a otevřete kryt prachové nádoby.
► Obr.7: 1. Páčka 2. Kryt prachové nádoby

2. Zcela rozbalte filtrační vak.
► Obr.8

3. Otevřete západku a zasuňte filtrační vak do drážky v držáku – stranou se značkou △ jako první.
► Obr.9: 1. Západka 2. Drážka 3. Filtrační vak 4. Držák

► Obr.10: 1. Značka 2. Výřez

POZNÁMKA: Ujistěte se, že značku na lepenkové části vidíte pouze skrze výřez v držáku.

4. Nasadte západku držáku.

► Obr.11: 1. Západka

5. Je-li filtrační vak složený, rozbalte jej.

► Obr.12

6. Pevně zajistěte kryt prachové nádoby.

⚠️ UPOZORNĚNÍ: Při nasazování západky a zavírání krytu prachové nádoby si počínejte opatrně, abyste si neskřípli prsty.

Vyjmutí filtračního vaku

⚠️ UPOZORNĚNÍ: S filtračním vakem zacházejte jemně. Jinak mohou cizí předměty zasáhnout oči a může dojít k zranění osob.

Když se filtrační vak zaplní nebo ucpe, vyměňte jej. Otevřete kryt prachové nádoby, odjistěte západku a poté vyjměte filtrační vak.

► Obr.13: 1. Západka

Zatažením za pásek na straně otvoru filtrační vak uzavřete a celý filtrační vak zlikvidujte.

► Obr.14: 1. Pásek

POZOR: Nepoužívejte filtrační vak opakovaně.

Filtrační vak je určen k jednorázovému použití.

Opakované používání filtračního vaku může způsobit ucpaní filtru a výsledkem je poškození zařízení.

POPIS FUNKCÍ

⚠️ UPOZORNĚNÍ: Před nastavováním zařízení nebo kontrolou jeho funkce se vždy přesvědčte, zda je vypnuté a je vyjmutý akumulátor.

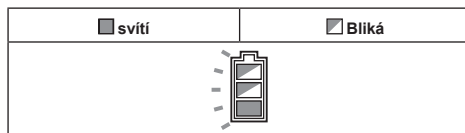
System ochrany zařízení a akumulátoru

Zařízení je vybaveno systémem ochrany akumulátoru i samotného zařízení. Tento systém automaticky přeruší napájení motoru, aby se prodloužila životnost zařízení a akumulátoru. Budou-li zařízení nebo akumulátor vystaveny některé z níže uvedených podmínek, zařízení se během provozu automaticky zastaví:

Ochrana proti přetížení

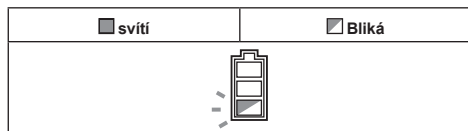
Pokud se se zařízením pracuje způsobem vyvolávajícím mimořádně vysoký odběr proudu, zařízení se automaticky vypne. V takové situaci zařízení vypnete a ukončete činnost, při níž došlo k přetížení zařízení. Potom zařízení zapnete a obnovte činnost.

Ochrana proti přehřátí



Pokud je zařízení přehřáté, automaticky se zastaví a kontrola akumulátoru bude asi 60 sekund blikat. V takovém případě nechte zařízení před opětovným zapnutím vychladnout.

Ochrana proti přílišnému vybití



Při snížení kapacity akumulátoru se zařízení automaticky zastaví a kontrolka akumulátoru bude asi 60 sekund blikat. Jestliže produkt při ovládání přepínači nepracuje, vyjměte ze zařízení akumulátor a nabijte jej.

Indikace zbývající kapacity akumulátoru

Stisknutím tlačítka kontroly na akumulátoru zjistíte zbývající kapacitu akumulátoru. Kontrolky indikátoru se na několik sekund rozsvítí.

► **Obr.15:** 1. Kontrolky 2. Tlačítko kontroly

Kontrolky			Zbývající kapacita
■ Svítí	□ Nesvítí	▣ Bliká	
■ ■ ■ ■			75 % až 100 %
■ ■ ■ □			50 % až 75 %
■ ■ □ □			25 % až 50 %
■ □ □ □			0 % až 25 %
▣ □ □ □			Nabijte akumulátor.
■ ■ □ □			Došlo pravděpodobně k poruše akumulátoru.
□ □ ■ ■			

POZNÁMKA: Kapacita udávaná indikátorem se může mírně lišit od skutečné kapacity v závislosti na podmínkách používání a teplotě prostředí.

POZNÁMKA: První kontrolka (zcela vlevo) bude blikat, když je systém ochrany akumulátoru v provozu.

Kontrolní panel

► **Obr.16:** 1. Provozní režim 2. Nadměrná hladina prachu 3. Chyba válcového kartáče 4. Zbývající kapacita akumulátoru 5. Tlačítko kontroly akumulátoru / světla

Provozní režim

Pro změnu provozního režimu viz odstavec na téma používání přepínače.

Nadměrná hladina prachu

Pokud se tato kontrolka rozsvítí, vyměňte filtrační vak. (Viz odstavec na téma vyjmutí filtračního vaku.)

POZNÁMKA: Tato kontrolka nemusí v závislosti na prostředí použít fungovat.

POZNÁMKA: Zhruba po jedné minutě po vypnutí zařízení se kontrolka automaticky vypne. Jestliže odstraníte zanesení ve filtračním vaku a zařízení opět spustíte, kontrolka se vypne do jedné minuty.

Chyba válcového kartáče

Bliká	Válcový kartáč je z nějakého důvodu velmi zatížený.
Svítí	Válcový kartáč se z nezvyklého důvodu zastavil.

VAROVÁNÍ: Když se tato kontrolka během provozu rozsvítí, neprodleně zařízení vypněte. Jinak může dojít k poruše motoru a s možným následkem požáru.

POZNÁMKA: Světlo může blikat, pokud je výška válcového kartáče nastavena s ohledem na povrch koberec příliš nízkou. V takovém případě upravte výšku válcového kartáče.

Zbývající kapacita akumulátoru

Stisknutím tlačítka kontroly akumulátoru / světla během provozu zjistíte zbývající kapacitu akumulátoru.

► **Obr.17**

Stav indikátoru akumulátoru			Zbývající kapacita akumulátoru
■ Svítí	□ Nesvítí	▣ Bliká	
		▣	50 % až 100 %
		▣	20 % až 50 %
		▣	0 % až 20 %
		▣	Nabijte akumulátor

Tlačítko kontroly akumulátoru / světla

Je možné provést následující operace.

- Jednoduchým stisknutím tlačítka zkontrolujete zbývající kapacitu akumulátoru.
- Stisknutím a podržením tlačítka za provozu zapnete/vypnete světla.

Používání spouště

- **Obr.18:** 1. Tlačítko změny režimu 2. Tlačítko zapnutí/vypnutí

Zapnutí/vypnutí zařízení

Stisknutím tlačítka zapnutí/vypnutí zapínáte a vypínáte zařízení.

▲ UPOZORNĚNÍ: Pokud zařízení zapínáte, vždy nejprve umístěte jeho hlavu na podlahu. Jinak může dojít k nehodě z důvodu zamotání a následnému zranění osob.

Změna provozního režimu

Jsou možné následující tři provozní režimy:

1. Nízká hladina hluku
2. Normální
3. Vysoká

Jestliže chcete změnit provozní režim, stiskněte tlačítko změny režimu. Provozní režim lze změnit, i když je zařízení vypnuté. Zařízení se spustí ve vámi nastaveném režimu.

POZNÁMKA: Vysavač se zapne ve stejném režimu, jako při posledním použití. Pokud vyjmete akumulátor za chodu motoru po vypnutí, vysavač se nemusí spustit ve stejném režimu jako při posledním použití.

Zapnutí/vypnutí světla

▲ UPOZORNĚNÍ: Nedívejte přímo do světla nebo jeho zdroje.

Zařízení je vybaveno světly.

Viz odstavec na téma ovládání tlačítka kontroly akumulátoru / světla.

- **Obr.19:** 1. Světlo

Pedál

▲ UPOZORNĚNÍ: Pokud nadržíte držadlo, vždy zajistěte zařízení ve vzpřímené poloze. Jinak může dojít k neúmyslnému pádu zařízení a následnému zranění.

▲ UPOZORNĚNÍ: Počínejte si opatrně, abyste si neskřípli prsty mezi tělo a hlavu zařízení.

Chcete-li odjistit zařízení ze vzpřímené polohy, sešlápněte pedál a zatahněte držadlo směrem dozadu. Rozsah pohybu je 90 stupňů od vzpřímené polohy.

- **Obr.20:** 1. Pedál

Chcete-li zařízení zajistit ve vzpřímené poloze, zvedněte držadlo směrem dopředu, dokud pedál nezačvakne do zajištěné polohy.

- **Obr.21**

▲ UPOZORNĚNÍ: Před použitím nezapomeňte odjistit pedál. Při hrubém zacházení může dojít k poškození dílů.




- **Obr.22**

POZNÁMKA: Když je zařízení ve vzpřímené poloze, válcový kartáč se přestane otáčet.

Úprava výšky válcového kartáče

▲ UPOZORNĚNÍ: Před prací se vždy ujistěte, zda je seřizovací páčka ve správné poloze.

Výšku válcového kartáče lze upravit v 5 krocích. Otočte seřizovací páčku do požadované polohy podle následující tabulky.

Poloha seřizovací páčky	Výška válcového kartáče
A 	Válcový kartáč zůstává umístěn nad podlahou, což je vhodné pro čištění koberců s dlouhým vlasem.
B 	Válcový kartáč je umístěn níže k podlaze, což je vhodné pro čištění tvrdých podlah a koberců s krátkým vlasem.
C 	Válcový kartáč se vysune tak, aby byl umístěn až na podlaze, což je účinné pro hlubkové čištění koberců a odstraňování nečistot, prachu a částic usazených hluboko ve vláknech.

- **Obr.23:** 1. Seřizovací páčka

POZNÁMKA: Válcový kartáč se nemusí otáčet, pokud je jeho výška nastavena s ohledem na povrch koberce příliš nízko.

Držadlo k přenášení

Při přenášení zařízení tlačte pouze na jeho kolečka nebo jej přeneste tak, že jej budete držet za držadlo k přenášení.

- **Obr.24**

▲ UPOZORNĚNÍ: Při přenášení zařízení jej zajistěte ve vzpřímené poloze. Jinak může dojít k pádu.

▲ UPOZORNĚNÍ: Nepřenášejte zařízení za jinou část než držadlo k přenášení. Jinak může dojít k pádu nebo neúmyslnému spuštění a následnému zranění.

- **Obr.25**

PRÁCE S NÁŘADÍM

▲ UPOZORNĚNÍ: Během provozu nevytahujte tyč držadla ze zařízení. Při takové akci můžete ztratit kontrolu nad zařízením a může dojít k vážnému zranění.

▲ UPOZORNĚNÍ: Během provozu nedávejte pod zařízení ruce ani nohy. Jinak může dojít k přiskřípnutí.

▲ UPOZORNĚNÍ: Nepoužívejte zařízení při nedostatečném osvětlení. Práce za špatného osvětlení může přispět k nepředvídatelné nehodě.

Běžné vysávání

1. Držte držadlo a poté odjistěte zařízení ze vzpřímené polohy.
2. Zapněte zařízení. Vysajte podlahu.

- **Obr.26**

Použití bočního kartáče

Boční kartáč je vhodný pro vysávání rohů. Pokud je vlas bočního kartáče příliš krátký, zaneste zařízení do autorizovaného servisního střediska Makita k výměně.

► **Obr.27:** 1. Boční kartáč

Vysávání s příslušenstvím

⚠ UPOZORNĚNÍ: Při použití příslušenství držte ruku neustále na držadle. Jinak může dojít k neúmyslnému pádu zařízení a následnému zranění.

POZOR: Při používání příslušenství zařízení zajistěte ve vzpřímené poloze. Jinak může otáčení válcového kartáče poškodit podlahu.

Použití hliníkové trubice

Hliníková trubice je vhodná pro vysávání úzkých prostor nebo vysoko položených míst.

► **Obr.28:** 1. Hliníková trubice

Použití hadice

Hadice je vhodná pro vysávání míst v dosahu vašich rukou.

► **Obr.29:** 1. Hadice

Chcete-li hadici použít, vytáhněte hadici z hliníkové trubice za současného stisknutí páčky.

► **Obr.30:** 1. Páčka

Chcete-li nasadit hadici, zasuňte ji do hliníkové trubice, dokud nezacvakne na místě.

► **Obr.31**

Použití nástavců

► **Obr.32**

Chcete-li nasadit nástavec, otočte jím a pevně jej zasuňte do hliníkové trubice nebo hadice. Při rozpojování jím otáčejte a vytahujte jej.

ÚDRŽBA

⚠ UPOZORNĚNÍ: Před zahájením kontroly nebo údržby zařízení se vždy ujistěte, zda je vypnuté a je vyjmutý akumulátor.

POZOR: Nikdy nepoužívejte benzín, benzen, ředidlo, alkohol či podobné prostředky. Mohlo by tak dojít ke změnám barvy, deformacím či vzniku prasklin.

K zachování BEZPEČNOSTI a SPOLEHLIVOSTI výrobku musí být opravy a veškerá další údržba či seřizování prováděny autorizovanými nebo továrními servisními středisky společností Makita s využitím náhradních dílů Makita.

Skladování

Během skladování vyjměte akumulátor a zařízení uložte na místo ve vzpřímené poloze.

► **Obr.33**

Čištění těla zařízení

Vnější část vysavače (tělo vysavače) pravidelně otírejte hadříkem navlčeným v mýdlové vodě.

► **Obr.34**

Čištění HEPA filtru

⚠ UPOZORNĚNÍ: Vysavač nepoužívejte bez filtru a nepokračujte v používání znečištěného nebo poškozeného filtru. Mohlo by dojít k rozptýlení prachu nebo částic z vysavače do okolí a následným dýchacím potížím obsluhy.

POZOR: Chcete-li zajistit optimální sací výkon a výstup čistého vzduchu, filtr pravidelně čistěte. Pokud nedosáhnete dostatečného sacího výkonu ani po vyčištění, vyměňte filtr za nový.

POZOR: Abyste zabránili poškození filtru, nepoužívejte k čištění následující náčiní ani jim podobné předměty:

- Vzduchový odstraňovač prachu
- Vysokotlaká myčka
- Předměty vyrobené z tvrdých materiálů, například drátěný kartáček

1. Otevřete kryt prachové nádoby a vyjměte filtrační vak.

Uvolněte háčky na filtru a vyjměte filtr do z těla zařízení.

► **Obr.35:** 1. Háček

2. Vyklepejte z filtru prach. Filtr lze opláchnout vodou. Prach a částice z filtru oplachujte jednou za 1 nebo 2 měsíce. Potom filtr důkladně vysušte na stíněném a dobře větraném místě, abyste zabránili nepříjemnému zápachu a poruchám.

3. Při montáži filtru vložte stranu bez háčků do drážky, poté zatlačte na filtr, dokud háčky nezacvaknou.

► **Obr.36:** 1. Drážka 2. HEPA filtr 3. Háček

Čištění válcového kartáče

1. Sejměte spodní desku a poté vyjměte válcový kartáč.

Pokud je vlas válcového kartáče příliš krátký, požádejte v servisním středisku Makita o nový.

Práce se zařízením, u kterého je vlas válcového kartáče krátký, bude mít za následek neuspokojivé vysávání prachu.

► **Obr.37:** 1. Spodní deska 2. Válcový kartáč

2. Pomocí nůžek odstraňte z válcového kartáče vlákna a vlasy.

Sejměte víčko a očistěte nanesené nečistoty.

► **Obr.38:** 1. Víčko

3. Víčko, válcový kartáč i spodní desku instalujte zpět postupem v opačném pořadí.

► **Obr.39**

⚠️ UPOZORNĚNÍ: Umístěte spodní desku bezpečně zpět na místo, dokud dvě blokovací páčky nezacvaknou. Je-li zařízení provozováno bez spodní desky, může se válcový kartáč uvolnit s možným následkem zranění.

► **Obr.40:** 1. Spodní deska 2. Blokovací páčka

POZOR: Válcový kartáč musí být vždy nasazen. Práce se zařízením bez válcového kartáče bude mít za následek neuspokojivé vysávání prachu.

Postup odstranění ucpaní

POZOR: Zařízení nespouštějte, pokud je cesta nasávání ucpaná. Pokud budete zařízení dále používat, přestože je cesta nasávání ucpaná, dojde k poklesu sacího výkonu.

1. Sejměte spodní desku a poté vyjměte válcový kartáč.
 2. Vyjměte ze zařízení a z hadice hliníkovou trubici.
 3. Otočte hadici proti směru hodinových ručiček a poté ji vytáhněte ze zařízení.
 4. Sací hadici vytáhněte zatažením jazýčku.
- **Obr.41:** 1. Spodní deska 2. Válcový kartáč 3. Hliníková trubice 4. Hadice 5. Sací hadice 6. Jazýček

5. Zkontrolujte cestu sání vzduchu uvnitř hliníkové trubice a hadice i sací hadice.

Odstraňte zevnitř nečistoty.

6. Zarovnejte výstupek na sací hadici s drážkou v krytu a zasuňte ji na místo.

► **Obr.42:** 1. Výstupek 2. Drážka

7. Nainstalujte hadici, hliníkovou trubici, válcový kartáč a spodní desku.

⚠️ UPOZORNĚNÍ: Hadici i trubici zasuňte pevně. Jinak může dojít k úniku prachu a následnému zranění.

Vak na prach

Volitelné příslušenství

Vak na prach lze po jeho vyčištění použít opakovaně.

Nasazení a sejmutí vaku na prach

Postup vložení a vyjmutí vaku na prach je stejný jako u filtračního vaku. Viz část pro vložení filtračního vaku a vyjmutí filtračního vaku.

► **Obr.43:** 1. Vak na piliny 2. Pryžová krytka

POZOR: Při vkládání vaku na prach nejprve otevřete pryžovou krytku. Zasuňte vak na prach se za ním nasazenou pryžovou krytkou.

Vyprázdnění vaku na prach

1. Zavěte pryžovou krytku, aby se zamezilo víření prachu.

2. Otevřete ústí vaku vytažením spojovacího prvku.

3. Vysypte vak na prach. Současně na vak jemně klepejte, aby došlo k odstranění materiálu přilnutého na jeho vnitřních stranách.

► **Obr.44:** 1. Vak na piliny 2. Pryžová krytka 3. Spojovací prvek

POZOR: Vak na prach vysypávejte často. Příliš mnoho prachu může snadno vak roztrhnout.

Čištění vaku na prach

Vak na prach pravidelně čistěte mýdlem a vodou.

Otočte vak na prach naruby a odstraňte uplý prach.

Lehce omyjte rukou a důkladně opláchněte vodou. Před montáží do vysavače nechte plně vysušit.

► **Obr.45**

POZOR: Vlhký vak na prach snižuje výkon vysavače a životnost motoru.

POZOR: Při montáži spojovacího prvku na vak na prach se ujistěte, že je ústí vaku těsně zavřené.

CYKLONOVÝ NÁSTAVEC

Volitelné příslušenství

► **Obr.46:** 1. Cyklonový nástavec

Informace o cyklonovém nástavci

Používání vysavače s cyklonovým nástavcem snižuje množství prachu, který vstupuje do filtračního vaku, čímž je zabráněno snižování sacího výkonu. Rovněž je snazší čištění vysavače po jeho použití.

⚠️ UPOZORNĚNÍ: Před prováděním jakýkoli práci na nářadí se vždy přesvědčte, zda je vypnuté a je vyjmutý akumulátor. Je-li akumulátor ponechán uvnitř, může se vysavač neočekávaně spustit a způsobit zranění.

⚠️ UPOZORNĚNÍ: Vyčistěte mřížkový filtr cyklonového nástavce a filtrační vak vysavače, kdykoliv se zanesou nečistotami. Budete-li pokračovat v jejich používání, i když jsou zanesené, může se tvořit nadměrné teplo či kouř.

POZOR: Když je namontován cyklonový nástavec, nepoužívejte jej ve vodorovné poloze nebo v poloze směrem nahoru. Může to způsobit zanesení mřížkového filtru.

POZOR: Vysavač vždy používejte jen s nasazeným filtračním vakem, i když používáte navíc cyklonový nástavec. Používání vysavače bez filtračního vaku může způsobit poruchu motoru.

POZNÁMKA: Před použitím se ujistěte, že jsou cyklonový nástavec, vysavač a přímá trubice správně zajištěny.

POZNÁMKA: Vyprázdněte přihrádku na prach cyklonového nástavce a filtrační vak vysavače, kdykoliv je uvnitř nashromážděno větší množství prachu. Dalším používáním dojde ke snížení sacího výkonu.

Montáž cyklonového nástavce

1. Otočte manžetu na hadici proti směru hodinových ručiček a vyjměte hadici, rukojeť trubice a hliníkovou trubici ze zařízení.

► **Obr.47:** 1. Manžeta 2. Hadice 3. Rukojeť trubice
4. Hliníková trubice

2. Otočte stranu zarážky na cyklonovém nástavci nahoru a vyrovnejte doraz s drážkou vstupu sání. Zablokujte zarážku zasunutím cyklonového nástavce, dokud nezacvakne. Lehce za cyklonový nástavec zatáhněte, aby bylo jisté, že se neodpojí. Namontujte rovnou trubici stejně jako cyklonový nástavec.

► **Obr.48:** 1. Rukojeť cyklonového nástavce 2. Vstup sání 3. Cyklonový nástavec 4. Rovná trubice cyklonového nástavce 5. Zarážka 6. Zajišťovací tlačítko

3. Namontujte cyklonový nástavec na zařízení a pak jej zajistěte otočením manžety na hadici ve směru hodinových ručiček.

► **Obr.49**

Vysypávání prachu

Když je nashromážděn prach až po čáru naplnění na přihrádce na prach, postupujte dle kroků níže a vysypejte prach.

1. Pevně podržte přihrádku na prach, stiskněte a podržte obě tlačítka a vyjměte ji.

► **Obr.50:** 1. Čára naplnění 2. Přihrádka na prach 3. Tlačítko (na dvou místech) 4. Mřížkový filtr

2. Vysypejte prach, který je uvnitř přihrádky na prach, a poté odstraňte také prach a nečistoty, které se usadily na mřížkovém filtru.

3. Vložte zpět přihrádku na prach, dokud obě tlačítka nezacvaknou.

► **Obr.51:** 1. Přihrádka na prach 2. Tlačítko (na dvou místech)

POZNÁMKA: Při montáži přihrádky na prach držte cyklonový nástavec pevně.

POZNÁMKA: Před opětovným provozem se ujistěte, že jsou cyklonový nástavec, vysavač a přímá trubice správně zajištěny.

POZNÁMKA: Kontrolka nadměrné hladiny prachu na vysavači se nerozsvítí, když se naplní přihrádka na prach cyklonového nástavce.

POZNÁMKA: Za následujících podmínek zkontrolujte, zda se uvnitř filtračního vaku vysavače nenahromadil prach nebo zda nedošlo k ucpání trasy vzduchu. Dle potřeby odstraňte příčiny.

- Pokud se sací výkon nezlepší poté, co jste odstranili prach z přihrádky na prach a vyčistili sítový filtr.
- Pokud kontrolka nadměrné hladiny prachu na vysavači stále svítí.

Čištění

Když se znečistí přihrádka na prach nebo zanese mřížkový filtr, vyjměte je a opláchněte ve vodě. (Postup vyjmutí je popsán v části „Vysypávání prachu“.)

Před opětovnou montáží a použitím části řádně osušte.

► **Obr.52:** 1. Přihrádka na prach 2. Mřížkový filtr

Jestliže je mřížkový filtr opravdu hodně špinavý, očistěte ho dle následujícího postupu.

1. Otočte mřížkový filtr proti směru hodinových ručiček a při odjistěných háčcích ho vyjměte.

► **Obr.53:** 1. Mřížkový filtr 2. Háček

2. Odstraňte prach na mřížkovém filtru a poté ho opláchněte ve vodě. Poté ho řádně osušte.

3. Vložte mřížkový filtr zpět na základnu, přičemž háčky musí být zarovnané s otvorem. Otáčejte mřížkovým filtrem po směru hodinových ručiček, dokud se háčky nezacvaknou. Ujistěte se, že je mřížkový filtr pevně nasazen.

► **Obr.54:** 1. Mřížkový filtr 2. Háček 3. Otvor

ŘEŠENÍ POTÍŽÍ

Před žádostí o opravu proveďte nejprve prohlídku sami. Pokud narazíte na problém, který není popsán v návodu, nepokoušejte se stroj demontovat. Požádejte o pomoc některé z autorizovaných servisních středisek Makita, kde k opravám vždy používají náhradní díly Makita.

Příznak	Příčina problému	Náprava
Zařízení nepracuje	Akumulátor je nesprávně nasazen.	Nasaďte akumulátor podle popisu v této příručce.
	Akumulátor je zcela vybitý.	Nabijte akumulátor.
	Držadlo je zasunuto nesprávně.	Zasuňte držadlo pevně podle popisu v této příručce.
Válcový kartáč se neotáčí.	Zařízení je zajištěno ve vzpřímené poloze.	Odjistěte zařízení ze vzpřímené polohy.
	Kontrolka chyby válcového kartáče svítí.	Zkontrolujte, že kolem válcového kartáče (těla, víčka a spoje) není nic namotáno.
Slabý sací výkon	Kontrolka nadměrné hladiny prachu svítí.	Vyměňte filtrační vak. Není-li filtrační vak plný, rozbalte jej a protřepáním uvolněte zanesení.
	⇒Pokud výměna filtračního vaku problém nevyřeší...	Vyčistěte nebo vyměňte HEPA filtr. Zkontrolujte, že v hadici a trubici nejsou upchané žádné nečistoty.
	Na válcovém kartáči jsou namotané nečistoty a rychlost otáčení se snížila.	Zkontrolujte, že kolem válcového kartáče (těla, víčka, spoje) není nic namotáno.
	Výška válcového kartáče od podlahy je příliš vysoká.	Snízte výšku válcového kartáče.
	Vlasy válcového kartáče jsou krátké.	Vyměňte válcový kartáč. Snízte výšku válcového kartáče.
	Zařízení pracuje v nízkém režimu.	Přepněte na vyšší provozní režim.
	Válcový kartáč není vložený.	Vložte válcový kartáč.
	Trubice nebo hadice nejsou správně zasunuté.	Zasuňte trubici nebo hadici pevně.
Hlasitý zvuk při provozu	Zařízení pracuje ve vysokém režimu.	Přepněte na nižší provozní režim.
	Na válcovém kartáči jsou namotané nečistoty.	Zkontrolujte, že kolem válcového kartáče (těla, víčka a spoje) není nic namotáno.
	Filtrační vak je plný prachu.	Vyměňte filtrační vak.
	⇒Pokud výměna filtračního vaku problém nevyřeší...	Vyčistěte nebo vyměňte HEPA filtr. Zkontrolujte, že v hadici a trubici nejsou upchané žádné nečistoty.
Kontrolka nadměrné hladiny prachu po krátkém používání bliká.	Filtrační vak je přeložený.	Rozložte ústí filtračního vaku před tím, než jej vložíte.
Světlo nesvítí	Světlo je nastaveno na vypnuto.	Stisknutím a podržením tlačítka kontroly akumulátoru / světla během provozu zapnete světlo.
Kolečko se otáčí ztuha.	Na kolečku jsou namotané nečistoty.	Očistěte nečistoty z kolečka.

VOLITELNÉ PŘÍSLUŠENSTVÍ

⚠ UPOZORNĚNÍ: Pro nářadí Makita popsané v tomto návodu doporučujeme používat následující příslušenství a nástavce. Při použití jiného příslušenství či nástavců může hrozit nebezpečí zranění osob. Příslušenství lze používat pouze pro stanovené účely.

- Cyklonový nástavec
- HEPA filtr
- Filtrační vak
- Vak na prach
- Originální akumulátor a nabíječka Makita

POZNÁMKA: Některé položky seznamu mohou být k nářadí přibaleny jako standardní příslušenství. Přibalené příslušenství se může v různých zemích lišit.

Potřebujete-li bližší informace ohledně tohoto příslušenství, obraťte se na místní servisní středisko společnosti Makita.

- Rohová hubice
- Hubice s kulatým kartáčem

ПОПЕРЕДЖЕННЯ

- Для користувачів у Європі. Дітям віком від 8 років, а також особам з обмеженими фізичними, сенсорними або розумовими здібностями та особам із недостатнім досвідом і знаннями дозволяється використовувати цей прилад лише за умови, що за ними встановлено нагляд або їм було надано інструкції стосовно безпечного використання цього приладу й вони усвідомлюють потенційну небезпеку від його використання. Дітям не дозволяється грати із цим приладом. Дітям не дозволяється виконувати чищення або проводити технічне обслуговування приладу без нагляду дорослих.
- Для користувачів у регіонах за межами Європи. Цей прилад не призначений для використання особами (у тому числі дітьми) з обмеженими фізичними, сенсорними або розумовими здібностями й особами з недостатнім досвідом і знаннями, за виключенням випадків, коли за ними встановлено нагляд або особа, відповідальна за їхню безпеку, надала їм інструкції стосовно використання цього приладу.
- Не допускайте, щоб діти гралися з приладом.
- **ОБЕРЕЖНО!** Перед виконанням будь-яких робіт із технічного обслуговування від'єднайте прилад від джерела живлення. Періодично виконуйте технічне обслуговування приладу.
- Перед зарядженням слід вийняти акумуляторні батареї з приладу.
- Щоб вийняти або встановити акумулятор, слід витягнути касету з інструмента, натиснувши кнопку в передній частині касети.
- Розряджені акумулятори необхідно вийняти з пристрою та утилізувати в безпечний спосіб. Дотримуйтеся місцевих правил щодо утилізації акумуляторів.
- Якщо пристрій не буде використовуватися протягом тривалого часу, акумулятори слід виймати.
- Не слід замикати клеми живлення між собою.

Застосовна касета з акумулятором і зарядний пристрій

Касета з акумулятором	BL4020 / BL4025 / BL4040 / BL4040F / BL4050F / BL4080F
Зарядний пристрій	DC40RA / DC40RB / DC40RC

- Деякі касети з акумулятором і зарядні пристрої, які вказано вище, можуть бути недоступними залежно від вашого регіону або місця перебування.

▲ПОПЕРЕДЖЕННЯ: Використовуйте лише касети з акумулятором і зарядні пристрої, зазначені вище. Використання будь-яких інших касет з акумулятором і зарядних пристроїв може призвести до травмування й/або пожежі.

ТЕХНІЧНІ ХАРАКТЕРИСТИКИ

Модель:	VC010G
Максимальна витрата повітря ^{*1}	1,8 м ³ /хв
Вакуум ^{*1}	15 кПа
Місткість	5 л
Розміри (Д × Ш × В)	326 мм × 381 мм × 1 146 мм
Номінальна напруга	від 36 до 40 В пост. струму макс
Маса нетто	8,0 – 9,2 кг

^{*1} Значення виміряно за нашою оригінальною методикою.

- Оскільки наша програма наукових досліджень і розробок триває безперервно, наведені тут технічні характеристики можуть бути змінені без попередження.
- У різних країнах технічні характеристики можуть бути різними.
- Вагу зазначено з урахуванням додаткового приладдя (кругла щітка, кутовий штуцер) і всіх касет з акумулятором. Найменшу й найбільшу сукупну вагу пристрою та касет з акумулятором наведено в таблиці.

Символи

Далі наведено символи, які можуть застосовуватися для позначення обладнання. Перед користуванням переконайтеся, що ви розумієте їхнє значення.



Читайте посібник з експлуатації.



Будьте особливо уважні та обережні!



Типовий акумулятор для застосування в цьому виробі.



Тільки для країн ЄС
Через наявність в обладнанні небезпечних компонентів відходи електричного та електронного обладнання, акумулятори та батареї можуть негативно впливати на навколишнє середовище та здоров'я людини.

Не викидайте електричні та електронні прилади або батареї разом з побутовими відходами!

Відповідно до директиви ЄС стосовно відходів електричного та електронного обладнання, акумуляторів, батарей та відходів акумуляторів і батарей, а також відповідно до її адаптації до національного законодавства, відходи електричного обладнання, батареї та акумулятори слід зберігати окремо й доставляти на пункт роздільного збору комунальних відходів, який працює з дотриманням правил охорони навколишнього середовища.

Це позначено символом у вигляді перекресленого сміттового контейнера з колесами, нанесеним на обладнання.

Призначення

Прилад призначено для збирання сухої пилу. Цей прилад придатний для комерційного застосування, наприклад у готелях, школах, лікарнях, на заводах, в офісах, у магазинах і в прокатному бізнесі.

Шум

Рівень шуму за шкалою А в типовому виконанні, визначений відповідно до стандарту ІЕС60335-2-69: Рівень звукового тиску (L_{pA}): 70 дБ (А) чи менше
Похибка (К): 2,5 дБ (А)

Рівень шуму під час роботи може перевищувати 80 дБ (А).

ПРИМІТКА: Заявлене значення шуму було виміряно відповідно до стандартних методів тестування й може використовуватися для порівняння одного інструмента з іншим.

ПРИМІТКА: Заявлене значення шуму може також використовуватися для попереднього оцінювання впливу.

▲ПОПЕРЕДЖЕННЯ: Користуйтеся засобами захисту органів слуху.

▲ПОПЕРЕДЖЕННЯ: Залежно від умов використання рівень шуму під час фактичної роботи електроінструмента може відрізнятися від заявленого значення вібрації; особливо сильно на це впливає тип деталі, що оброблюється.

▲ПОПЕРЕДЖЕННЯ: Забезпечте належні запобіжні заходи для захисту оператора, що відповідатимуть умовам використання інструмента (слід брати до уваги всі складові робочого циклу, як-от час, коли інструмент вимкнено та коли він починає працювати на холостому ході під час запуску).

Вібрація

Загальна величина вібрації (векторна сума трьох напрямків) визначена згідно з ІЕС60335-2-69:

Вібрація ($a_{h,m}$): 2,5 м/с² або менше

Похибка (К): 1,5 м/с²

ПРИМІТКА: Заявлене загальне значення вібрації було виміряно відповідно до стандартних методів тестування й може використовуватися для порівняння одного інструмента з іншим.

ПРИМІТКА: Заявлене загальне значення вібрації може також використовуватися для попереднього оцінювання впливу.

▲ПОПЕРЕДЖЕННЯ: Залежно від умов використання вібрація під час фактичної роботи електроінструмента може відрізнятися від заявленого значення вібрації; особливо сильно на це впливає тип деталі, що оброблюється.

▲ПОПЕРЕДЖЕННЯ: Забезпечте належні запобіжні заходи для захисту оператора, що відповідатимуть умовам використання інструмента (слід брати до уваги всі складові робочого циклу, як-от час, коли інструмент вимкнено та коли він починає працювати на холостому ході під час запуску).

Декларації відповідності

Тільки для країн Європи

Декларації відповідності наведено в Додатку А цієї інструкції з експлуатації.

ПОПЕРЕДЖЕННЯ ПРО ДОТРИМАННЯ ТЕХНІКИ БЕЗПЕКИ

Попередження про необхідну обережність під час роботи з акумуляторним пирососом

▲ ПОПЕРЕДЖЕННЯ: ВАЖЛИВО!
ПРОЧИТАЙТЕ УВАЖНО всі попередження про необхідну обережність під час роботи та всі інструкції ПЕРЕД ВИКОРИСТАННЯМ.
Недотримання попереджень та інструкцій може призвести до ураження електричним струмом, до виникнення пожежі та/або до отримання серйозних травм.

1. Перед початком експлуатації переконайтеся в тому, що користувача належним чином проінструктовано стосовно роботи із цим пирососом.
2. Не використовуйте пристрій без мішка фільтра й/або встановлених фільтрів. Пошкоджений фільтр підлягає негайній заміні.
3. УНИКАЙТЕ ВИПАДКОВОГО ВВИМКНЕННЯ. Переконайтеся, що перемикач пирососа знаходиться у вимкненому положенні, коли встановлюєте акумулятор(и).
4. Не намагайтеся збирати легкозаймисті матеріали, петарди, запалені сигарети, гарячий попіл, гарячу металеву стружку, гострі речі, такі як леза, голки, розбите скло тощо.
5. **НІКОЛИ НЕ ВИКОРИСТОВУЙТЕ ПИЛОСОС ПОРЯДІЗ БЕНЗИНОМ, ГАЗОМ, ФАРБЮЮ, КЛЕЄМ АБО ІНШИМИ ВИБУХОВИМИ РЕЧОВИНАМИ.** Перемикач випускає іскри під час вмикання або вимикання. Колектор двигуна також іскрить під час роботи. Існує небезпека вибуху.
6. Цей пиросос не призначений для збирання небезпечного пилю.
7. Ніколи не збирайте пирососом токсичні, канцерогенні, легкозаймисті або інші небезпечні речовини, такі як азбест, миш'як, барій, берилій, свинець, пестициди або інші шкідливі для здоров'я речовини.
8. Не збирайте пирососом піну, як-от засіб для чищення килимів тощо. Це може призвести до вибуху або пожежі.
9. Не використовуйте поза приміщенням або на вологих поверхнях.
10. Для Фінляндії: пристрій не слід використовувати поза приміщенням при низькій температурі.
11. Заборонено використовувати пристрій поблизу джерел тепла (плит тощо).
12. Не блокуйте отвір усмоктування, вихідні отвори або вентиляційні отвори. Завдяки цим отворах відбувається охолодження двигуна. Слід уникати блокування цих отворів, інакше двигун займеться через нестачу вентиляції.
13. Не згинайте, не смикайте й не ставуйте на шланг.
14. Негайно зупиняйте роботу пирососа, якщо ви помітили, що він працює неналежним чином, або помітили щось незвичне.
15. **ВИТЯГНІТЬ АКУМУЛЯТОР(И).** Коли пристрій не використовується, перед технічним обслуговуванням та під час заміни приладдя.
16. Чистьте й обслуговуйте пиросос одразу після кожного використання, щоб тримати його у відмінному робочому стані.
17. **ТРИМАЙТЕ ПИЛОСОС У НАЛЕЖНОМУ СТАНІ.** Тримайте пиросос у чистоті для забезпечення кращої та безпечнішої роботи. Дотримуйтесь інструкцій із заміни приладдя. Ручки мають бути сухими, чистими й не забрудненими мастилом або жиром.
18. **ПЕРЕВІРЬТЕ ПОШКОДЖЕНІ ДЕТАЛІ.** Перш ніж продовжувати використання пирососа, слід перевірити захисний пристрій чи іншу пошкоджену деталь, щоб переконаватися в тому, що вони можуть далі виконувати свої функції належним чином. Переконайтеся в співвідносності, відсутності пошкоджень рухомих деталей, надійності кріплення й відсутності інших дефектів, які можуть вплинути на роботу інструмента. Ремонтувати або замінювати захисний пристрій чи інші пошкоджені деталі має авторизований сервісний центр, якщо інше не зазначено в цій інструкції. Пошкоджені перемикачі необхідно замінювати в авторизованому сервісному центрі. Не використовуйте пиросос, якщо його перемикач не працює.
19. **ЗАПЧАСТИНИ.** Під час обслуговування використовуйте тільки ідентичні запчастини.
20. Коли пиросос не використовується, завжди зберігайте його в приміщенні.
21. Поводьтеся з пирососом обережно. Грубе поводження може спричинити поломку навіть найміцнішого пирососа.
22. Не намагайтеся почистити пиросос ззовні або зсередини бензином, розчинником або мийними засобами. Це може спричинити появу тріщин і зміну кольору.
23. Не використовуйте пиросос у закритому приміщенні, де масляні фарби, розчинники, бензин, деякі засоби проти молі тощо можуть виділяти легкозаймисті, вибухонебезпечні або токсичні пари/випаровування, або в місцях, де є легкозаймистий пилю.
24. Не використовуйте цей або будь-який інший інструмент, коли знаходитесь під дією алкоголю або лікарських препаратів.
25. Надягайте відповідні засоби захисту, наприклад маску, залежно від умов експлуатації.
26. Цей пристрій не призначений для використання дітьми й особами з обмеженими фізичними, сенсорними або розумовими можливостями, а також особами, яким не вистачає відповідних знань і досвіду.
27. Не допускайте, щоб діти гралися з пирососом.
28. Ніколи не беріться за акумулятор(и) або пиросос вологими руками.

29. Будьте особливо обережні під час прибирання на сходах.
30. Не використовуйте пилосос на нестабільних чи нахилених поверхнях, оскільки він може перекинутися й спричинити травми та пошкодження.
31. Завжди твердо стійте на ногах і тримайте рівновагу.
32. Не використовуйте пилосос як стілець або верстат. В іншому випадку це може призвести до отримання травм унаслідок падіння пристрою.
33. Тримайте всі частини тіла та одяг на безпечній відстані від отворів і рухомих частин, наприклад від щіткового валика, що обертається. В іншому разі їх може затягнути у пристрій, що призведе до травми.

Використання та обслуговування акумуляторних інструментів

1. **Перезаряджайте акумулятор лише за допомогою зарядного пристрою, вказаного виробником.** Зарядний пристрій, який підходить для одного типу акумуляторів, може призвести до пожежі при використанні з акумулятором іншого типу.
2. **Використовуйте електроінструменти лише з акумуляторами того типу, який призначений саме для цих електроінструментів.** Використання акумуляторів інших типів може призвести до отримання травм і виникнення пожежі.
3. **Коли акумулятор не використовується, тримайте його подалі від таких металевих предметів, як скріпки, монети, ключі, цвяхи, шурупи тощо, які можуть замкнути клемми акумулятора.** Замикання клем акумулятора може призвести до отримання опіків або до пожежі.
4. **За неналежних умов зберігання з акумулятора може витекти рідина, контакту з якою слід уникати.** У разі випадкового потрапляння рідини на тіло відповідну частину тіла слід промити водою. Якщо рідина потрапила в очі, їх слід промити водою, після чого необхідно звернутися до лікаря. Рідина, що витікає з акумулятора, може спричинити подразнення або опіки.
5. **Не користуйтеся акумулятором або інструментом, які було змінено чи пошкоджено.** Експлуатація акумуляторів, що їх було пошкоджено або до конструкції яких було внесено зміни, може бути небезпечною й може спричинити пожежу, вибух або травму.
6. **Не піддавайте акумулятор або інструмент впливу вогню чи надмірної температури.** Вплив вогню або температури вище 130° C може спричинити вибух.
7. **Дотримуйтесь усіх вказівок із заряджання й не заряджайте акумулятор або інструмент за температури за межами зазначеного в інструкції діапазону.** Неправильне заряджання або заряджання за межами вказаного температурного діапазону може призвести до пошкодження акумулятора й підвищити небезпеку займання.

ЗБЕРІГАЙТЕ ЦІ ВКАЗІВКИ.

▲ПОПЕРЕДЖЕННЯ: НІКОЛИ НЕ втрачайте пильності та не розслабляйтеся під час користування виробом (що можливо при частому використанні); обов'язково строго дотримуйтеся відповідних правил безпеки. **НЕНАЛЕЖНЕ ВИКОРИСТАННЯ** або недотримання правил техніки безпеки, викладених у цій інструкції з експлуатації, може призвести до серйозних травм.

Важливі інструкції з безпеки для касети з акумулятором

1. **Перед тим як користуватися касетою з акумулятором, слід прочитати всі інструкції та застережні знаки щодо (1) зарядного пристрою акумулятора, (2) акумулятора та (3) виробів, що працюють від акумулятора.**
2. **Не розбирайте касету з акумулятором і не змінюйте її конструкцію.** Це може призвести до пожежі, перегріву або вибуху.
3. **Якщо період роботи дуже покоротшав, слід негайно припинити користування.** Це може призвести до виникнення ризику перегріву, опіку та навіть вибуху.
4. **У разі потрапляння електроліту в очі слід промити їх чистою водою та негайно звернутися до лікаря.** Це може призвести до втрати зору.
5. **Не закоротіть касету з акумулятором.**
 - (1) Не слід торкатися клем будь-яким струмопровідним матеріалом.
 - (2) Не слід зберігати касету з акумулятором у ємності з іншими металевими предметами, такими як цвяхи, монети тощо.
 - (3) Не залишайте касету з акумулятором під дощем, запобігайте контакту з водою.

Коротке замикання може призвести до появи значного струму, перегріву, можливих опіків та навіть виходу з ладу.
6. **Не слід зберігати й використовувати інструмент і касету з акумулятором у місцях, де температура може сягнути чи перевищити 50 °C (122 °F).**
7. **Не слід спалювати касету з акумулятором, навіть якщо вона була неодноразово пошкоджена або повністю спрацьована.** Касета з акумулятором може вибухнути у вогні.
8. **Заборонено забивати цвяхи в касету з акумулятором, різати, ламати, кидати, впускати касету з акумулятором або вдаряти її твердим предметом.** Це може призвести до пожежі, перегріву або вибуху.
9. **Не слід використовувати пошкоджений акумулятор.**
10. **Літій-іонні акумулятори, що містяться в інструменті, мають відповідати вимогам законів про небезпечні товари.** Під час транспортування за допомогою комерційних перевезень, наприклад із залученням третьої сторони та експедиторів, необхідно дотримуватися особливих вимог, вказаних на пакуванні й у маркуванні.

Під час підготування позиції до відправлення необхідно проконсультуватись зі спеціалістом з небезпечних матеріалів. Крім того, слід виконувати більш докладні національні настанови, якщо такі є.

Заклейте відкриті контакти стрічкою або заховайте їх і запакуйте акумулятор таким чином, щоб він не міг рухатися в пакуванні.

11. Для утилізації касети з акумулятором витягніть її з інструмента та утилізуйте безпечним способом. Дотримуйтеся норм місцевого законодавства щодо утилізації акумуляторів.
12. Використовуйте акумулятори лише з виробами, указаними компанією Makita. Установлення акумуляторів у невідповідні виробу може призвести до пожежі, надмірного нагрівання, вибуху чи витоку електроліту.
13. Якщо інструментом не користуватимуться протягом тривалого періоду часу, вийміть акумулятор з інструмента.
14. Під час і після використання касета з акумулятором може нагріватися, що може стати причиною опіків або низькотемпературних опіків. Будьте обережні під час поводження з гарячою касетою з акумулятором.
15. Не торкайтеся контактів інструмента відразу після використання, оскільки він може бути досить гарячим, щоб викликати опіки.
16. Не допускайте, щоб уламки, пил або земля прилипали до контактів, отворів і пазів на касеті з акумулятором. Це може призвести до перегріву, займання, вибуху та виходу з ладу інструмента або касети з акумулятором і спричинити опіки або травми.
17. Якщо інструмент не розраховано на використання поблизу високовольтних ліній електропередач, не використовуйте касету з акумулятором поблизу високовольтних ліній електропередач. Це може призвести до несправності, поломки інструмента або касети з акумулятором.

18. Тримайте акумулятор у недоступному для дітей місці.

ЗБЕРІГАЙТЕ ЦІ ВКАЗІВКИ.

⚠ОБЕРЕЖНО: Використовуйте тільки акумулятори Makita. Використання акумуляторів, інших ніж оригінальні акумулятори Makita, або акумуляторів, конструкцію яких було змінено, може призвести до вибуху акумулятора і спричинити пожежу, травму або пошкодження. У зв'язку з цим також буде анульовано гарантію Makita на інструмент Makita і на зарядний пристрій.

Поради з забезпечення максимального строку експлуатації акумулятора

1. Касету з акумулятором слід заряджати до того, як він розрядиться повністю. Завжди слід зупиняти роботу інструмента та зарядити акумулятор, якщо ви помітили зменшення потужності інструмента.
2. Ніколи не слід заряджати повторно повністю заряджену касету з акумулятором. Перезарядження скорочує строк експлуатації акумулятора.
3. Заряджайте касету з акумулятором при кімнатній температурі 10°C - 40°C (50°F - 104°F). Перед тим як заряджати касету з акумулятором, слід зачекати, доки вона охолоне.
4. Коли касета з акумулятором не використовується, виймайте її з інструмента або зарядного пристрою.
5. Якщо касета з акумулятором не використовувалася тривалий час (понад шість місяців), її слід зарядити.

ОПИС ДЕТАЛЕЙ

► Рис.1

1	Ручка	2	Панель із перемикачами	3	Ручка труби	4	Шланг
5	Панель індикації	6	Важіль (для кришки контейнера для пилу)	7	Кришка контейнера для пилу	8	Ручка для перенесення
9	Касета з акумулятором	10	Важіль регулювання	11	Кутовий штуцер	12	Кругла щітка
13	Ножний важіль	14	Ролик	15	Бокова щітка	16	Всмоктувальний шланг
17	З'єднання	18	Алюмінієва труба	19	Тримач труби	20	Індикатор
21	Щітковий валик	22	Нижня плита	23	Кнопка перемикання режиму	24	Кнопка ввімкнення / вимкнення
25	Індикатор режиму роботи	26	Індикатор надмірного рівня пилу	27	Індикатор помилки щіткового валика	28	Індикатор заряду акумулятора
29	Кнопка перевірки акумулятора / увімкнення індикатора	-	-	-	-	-	-

ЗБОРКА

⚠ОБЕРЕЖНО: Перш ніж проводити будь-які роботи з приладом, вимкніть його й витягніть касету з акумулятором.

⚠ОБЕРЕЖНО: Завжди вдягайте пилозахисну маску під час збирання або технічного обслуговування.

Під'єднання ручки

1. Повністю вставте штангу ручки в корпус пилососа, як показано на рисунку.
2. Закрийте засувку.

► **Рис.2:** 1. Штанга ручки 2. Червона мітка
3. Стопорна засувка

УВАГА: Повністю вставте ручку таким чином, щоб червону мітку не було видно.

Під'єднання шланга

Вставте шланг у монтажний отвір пристрою й поверніть шланг до фіксації.

► **Рис.3:** 1. Монтажний отвір

Під'єднання труби

Вставте кінець алюмінієвої труби в з'єднання та прикріпіть алюмінієву трубу до тримача труби.

► **Рис.4:** 1. З'єднання 2. Тримач труби

УВАГА: Вставте алюмінієву трубу в правильному напрямку, як показано на рисунку. Інакше тримач труби не зафіксується, а алюмінієва труба може випасти.

► **Рис.5**

Встановлення та зняття касети з акумулятором

⚠ОБЕРЕЖНО: Обов'язково вимикайте пристрій перед встановленням або зняттям касети з акумулятором.

⚠ОБЕРЕЖНО: Під час встановлення або зняття касети з акумулятором слід міцно тримати пилосос і касету. Якщо ви триматимете пилосос і касету з акумулятором недостатньо міцно, вони можуть вислизнути з рук, що може призвести до пошкодження пилососа та касети з акумулятором або спричинити травми.

⚠ОБЕРЕЖНО: Будьте обережні, щоб не защемити пальці під час встановлення касети з акумулятором. Невиконання цієї вимоги може призвести до отримання травм.

⚠ОБЕРЕЖНО: Заборонено встановлювати / витягувати касету з акумулятором вологими руками. Це може призвести до ураження електричним струмом.

Сумістіть виступ на касеті з акумулятором із пазом у корпусі та вставте касету на місце. Вставляйте її до кінця, щоб вона зафіксувалася з легким клацанням.

► **Рис.6:** 1. Касета з акумулятором 2. Кнопка

Щоб зняти касету з акумулятором, вийміть її з пристрою, посунувши вгору кнопку спереду касети.

⚠ОБЕРЕЖНО: Установлюйте касету з акумулятором до упору. Якщо цього не зробити, касета може випадково випасти з приладу й завдати травм вам або людям, що перебувають поряд.

⚠ОБЕРЕЖНО: Не встановлюйте касету з акумулятором із зусиллям. Якщо касета не вставляється легко, то це означає, що ви її неправильно вставляєте.

Встановлення мішка фільтра

⚠ОБЕРЕЖНО: Не слід використовувати пошкоджений мішок фільтра. Завжди використовуйте пилосос із належним чином встановленим мішком фільтра. В іншому випадку всмоктуваний пил або частки можуть бути викинуті з пилососа, що створить небезпеку захоплення дихальних шляхів для оператора.

Встановіть мішок фільтра перед використанням пилососа.

Мішок фільтра призначений для одноразового використання. Коли мішок фільтра наповнюється, його слід викинути без спорожнення.

УВАГА: Якщо мішок фільтра заповнений або засмічений, замініть його новим. Продовження використання з повним або засміченим мішком фільтра призведе до зниження потужності всмоктування.

УВАГА: Для запобігання потрапляння пилу в двигун:

- Перед використанням пристрою завжди перевіряйте, чи встановлено мішок фільтра.
- не використовуйте пошкоджені або порвані мішки.

Недотримання цих вимог може призвести до пошкодження двигуна.

УВАГА: Не згинайте картон біля отвору під час вставляння мішка фільтра.

УВАГА: Мішок фільтра для пилососа є важливим компонентом, який допомагає підтримувати робочі характеристики приладу на високому рівні. Використання неоригінального мішка фільтра може призвести до появи диму або стати причиною пожежі.

ПРИМІТКА: Якщо мішок фільтра не вставлено в пристрій, кришка контейнера для пилу не закривається повністю.


ПРИМІТКА: Багаторазовий мішок для пилу попередньо встановлений у деяких країнах і регіонах. Щодо нього можна дотримуватися тих самих інструкцій зі встановлення / зняття, що й для мішка фільтра.

1. Розблокуйте важіль і відкрийте кришку контейнера для пилу.

► **Рис.7:** 1. Важіль 2. Кришка контейнера для пилу

2. Повністю розгорніть мішок фільтра.

► **Рис.8**

3. Відкрийте засувку й установіть мішок фільтра в отвір на тримачі, спочатку вставивши його стороною з міткою .

► **Рис.9:** 1. Засувка 2. Гніздо 3. Мішок фільтра
4. Тримач

► **Рис.10:** 1. Мітка 2. Щілина

ПРИМІТКА: Переконайтеся в тому, що через щілину тримача видно тільки мітку на картонній частині.

4. Закрийте засувку тримача.

► **Рис.11:** 1. Засувка

5. Розгорніть мішок фільтра, якщо його складено.

► **Рис.12**

6. Надійно зафіксуйте кришку контейнера для пилу.

⚠ОБЕРЕЖНО: Будьте обережні, щоб не защемити пальці, коли закриваєте засувку та кришку контейнера для пилу.

Виймання мішка фільтра

⚠ОБЕРЕЖНО: Поводьтеся з мішком фільтра обережно. Інакше можливе попадання в очі сторонніх предметів, що може призвести до травми.

Замінійте мішок фільтра, коли він заповниться або засмітиться.

Відкрийте кришку контейнера для пилу, відкрийте засувку й витягніть мішок фільтра.

► **Рис.13:** 1. Засувка

Потягніть за смужку біля отвору, щоб закрити мішок фільтра й викинути його цілком.

► **Рис.14:** 1. Смужка

УВАГА: Не використовуйте мішок фільтра повторно. Мішок фільтра призначений для одноразового використання. Багаторазове використання мішка фільтра може призвести до засмічення фільтра й пошкодити пристрій.

ОПИС РОБОТИ

⚠ОБЕРЕЖНО: Перед регулюванням або перевіркою роботи приладу обов'язково переконайтеся, що прилад вимкнено, а касету з акумулятором знято.

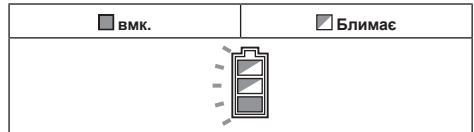
Система захисту пристрою / акумулятора

Пристрій оснащено системою захисту пристрою / акумулятора. Ця система автоматично вимикає живлення двигуна з метою подовження терміну служби пристрою й акумулятора. Пристрій автоматично припиняє роботу в разі виникнення зазначених далі ситуацій із пристроєм або акумулятором.

Захист від перевантаження

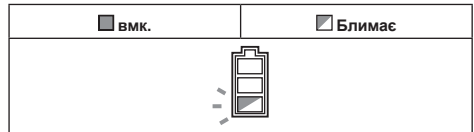
Якщо під час використання пристрій споживає забагато струму, він автоматично припиняє роботу. У такому разі вимкніть пристрій і припиніть роботу, що призвела до його перевантаження. Потім знову ввімкніть пристрій, щоб перезапустити його.

Захист від перегрівання



Коли пристрій нагрівається надто сильно, він автоматично припиняє роботу, а індикатор акумулятора блимає приблизно протягом 60 секунд. У такому разі зачекайте, доки пристрій охолоне, перш ніж знову вмикати його.

Захист від надмірного розрядження



За низького заряду акумулятора пристрій автоматично зупиняє роботу, а індикатор акумулятора блимає приблизно протягом 60 секунд. Якщо виріб не працює, навіть коли задіяно перемикачі, необхідно вийняти з пристрою акумулятор і зарядити його.

Відображення залишкового заряду акумулятора

Натисніть кнопку перевірки на касеті з акумулятором для відображення залишкового ресурсу акумулятора. Індикаторні лампи загоряться на кілька секунд.

► **Рис.15:** 1. Індикаторні лампи 2. Кнопка перевірки

Індикаторні лампи			Залишковий ресурс
Горить	Вимк.	Блимає	
■	□	▧	від 75 до 100%
■ ■ ■ ■			
■ ■ ■ ■	□		від 50 до 75%
■ ■	□ □		від 25 до 50%
■	□ □ □ □		від 0 до 25%
▧	□ □ □ □		Зарядіть акумулятор.
■ ■ □ □	□ □		Можливо, акумулятор вийшов з ладу.
□ □ ■ ■	□ □		

ПРИМІТКА: Залежно від умов використання та температури оточуючого середовища показання можуть незначним чином відрізнятися від дійсного ресурсу.

ПРИМІТКА: Перша (дальня ліва) індикаторна лампа блимає під час роботи захисної системи акумулятора.

Панель індикації

► **Рис.16:** 1. Режим роботи 2. Надмірний рівень пилу 3. Помилка щіткового валіка 4. Залишок заряду акумулятора 5. Кнопка перевірки акумулятора / увімкнення індикатора

Режим роботи

Інформацію щодо зміни режиму роботи див. у розділі про перемикання.

Надмірний рівень пилу

Якщо цей індикатор увімкнувся, замініть мішок фільтра. (Див. розділ про виймання мішка фільтра.)

ПРИМІТКА: Цей індикатор може не працювати в деяких умовах експлуатації.

ПРИМІТКА: Приблизно через хвилину після вимкнення пристрою індикатор згасне автоматично. Якщо усунути засмічення мішка фільтра й перезапустити пристрій, індикатор згасне протягом однієї хвилини.

Помилка щіткового валіка

Блимає	Високе навантаження на щітковий валік з певних причин.
Горить	Щітковий валік зупинився з незрозумілої причини.

▲ ПОПЕРЕДЖЕННЯ: Негайно вимкніть пристрій, якщо під час роботи увімкнеться цей індикатор. Інакше можлива несправність двигуна, яка може призвести до пожежі.

ПРИМІТКА: Індикатор може блимати, якщо щітковий валік розташований занадто низько відносно поверхні килима. У цьому разі відрегулюйте висоту щіткового валіка.

Залишок заряду акумулятора

Під час роботи натисніть кнопку перевірки акумулятора / увімкнення індикатора, щоб перевірити рівень заряду акумулятора.

► **Рис.17**

Стан індикатора акумулятора			Залишок заряду акумулятора
Вмк.	Вимк.	Блимає	
■	□	▧	Від 50 до 100%
			
■	□	▧	Від 20 до 50%
			
■	□	▧	Від 0 до 20%
			
■	□	▧	Зарядіть акумулятор
			

Кнопка перевірки акумулятора / увімкнення індикатора

Можна виконувати вказані далі операції.

- Просто натисніть кнопку для перевірки заряду акумулятора.
- Під час роботи натисніть і втримуйте кнопку, щоб увімкнути / вимкнути індикатори.

Дія вимикача

► **Рис.18:** 1. Кнопка перемикання режиму 2. Кнопка ввімкнення / вимкнення

Увімкнення / вимкнення пристрою

Натисніть кнопку ввімкнення / вимкнення, щоб увімкнути чи вимкнути пристрій.

⚠ОБЕРЕЖНО: Вмикаючи пристрій, кладіть головку пристрою на підлогу. Інакше через заплутування може статися нещасний випадок із травмуванням.

Перемикання режиму роботи

Передбачено три режими роботи:

1. Низький рівень шуму
2. Звичайний
3. Високий

Щоб змінити режим роботи, натисніть кнопку перемикання режиму. Режим роботи можна змінити навіть тоді, коли пристрій вимкнений. Після увімкнення пристрою буде вибрано режим роботи, який ви встановили.

ПРИМІТКА: Після ввімкнення пилосос починає роботу з тими налаштуваннями режиму, які було встановлено минулого разу. Якщо вийняти акумулятор, поки двигун не припинив роботу після ввімкнення, пилосос може не запуститися з тими налаштуваннями режиму, які було встановлено минулого разу.

Увімкнення / вимкнення індикатора

⚠ОБЕРЕЖНО: Не дивіться на світло або безпосередньо на джерело світла.

Цей пристрій оснащено індикаторами.

Принцип роботи пояснюється в параграфі про кнопку перевірки акумулятора / увімкнення індикатора.

► **Рис.19:** 1. Індикатор

Ножний важіль

⚠ОБЕРЕЖНО: Завжди блокуйте пристрій у вертикальному положенні, коли відпускаєте ручку. Інакше пристрій може випадково впасти та стати причиною травми.

⚠ОБЕРЕЖНО: Будьте обережні, щоб не затиснути пальці між основним корпусом і головою пристрою.

Щоб розблокувати пристрій із вертикального положення, натисніть ножний важіль і потягніть ручку назад.

Діапазон руху становить 90 градусів від вертикального положення.

► **Рис.20:** 1. Ножний важіль

Для блокування пристрою у вертикальному положенні підніміть ручку вперед, щоб ножний важіль зафіксувався з клацанням.

► **Рис.21**

⚠ОБЕРЕЖНО: Упевніться, що ножний важіль розблокований, перш ніж починати роботу. Необережне поводження може призвести до поломки деталей.

► **Рис.22**




ПРИМІТКА: Коли пристрій у вертикальному положенні, щітковий валик не обертається.

Регулювання висоти щіткового валика

⚠ОБЕРЕЖНО: Перед початком роботи обов'язково перевіряйте, що важіль регулювання переводиться в положення правильно.

Висоту щіткового валика можна відрегулювати за 5 кроків.

Установіть важіль регулювання в потрібне положення відповідно до таблиці нижче.

Регулювання положення важеля	Висота щіткового валика
A 	Щітковий валик залишається розташованим угорі відносно підлоги, що підходить для чищення килимів із довгим ворсом.
B 	Щітковий валик розташовується нижче відносно підлоги, що підходить для чищення твердих підлог і килимів із коротким ворсом.
C 	Щітковий валик висувається до підлоги, що ефективно для глибокого чищення килимів і видалення бруду, пилу та часток, які глибоко застрягли у волокнах.

► **Рис.23:** 1. Важіль регулювання

ПРИМІТКА: Щітковий валик може не обертатися, якщо він розташований занадто низько відносно верхніх килима.

Ручка для перенесення

Під час переміщення пристрій слід штовхати, використовуючи ролики, або переносити за ручки для перенесення.

► **Рис.24**

⚠ОБЕРЕЖНО: Під час переміщення пристрою блокуйте його у вертикальному положенні. Інакше пристрій може впасти.

⚠ОБЕРЕЖНО: Переносьте пристрій тільки за ручку для перенесення. Інакше пристрій може впасти або заподіяти травму через випадковий запуск.

► **Рис.25**

РОБОТА

⚠ОБЕРЕЖНО: Не витягуйте штангу ручки з пристрою під час роботи. Це може привести до втрати контролю над пристроєм і важкої травми.

⚠ОБЕРЕЖНО: Будьте обережні, щоб руки або ноги не потрапили під пристрій під час роботи. Інакше можливе защемлення.

⚠ОБЕРЕЖНО: Не використовуйте пристрій за недостатнього освітлення. Використання в умовах слабого освітлення може призвести до непередбаченого нещасного випадку.

Стандартна процедура прибирання

1. Тримайте за рукоятку, розблокуйте пристрій із вертикального положення.
 2. Увімкніть пристрій. Виконайте прибирання підлоги.
- Рис.26

Використання бокової щітки

Боковою щіткою зручно прибирати в кутках приміщень. Якщо бокова щітка стала коротшою, пристрій слід віднести в сервісний центр Makita для заміни щітки.

► Рис.27: 1. Бокова щітка

Робота з використанням приладдя

⚠ОБЕРЕЖНО: Продовжуйте тримати пристрій за ручку під час використання приладдя. Інакше пристрій може випадково власти та стати причиною травми.

УВАГА: На час використання приладдя блокуйте пристрій у вертикальному положенні. Інакше щітковий валик, що обертається, може пошкодити підлогу.

Використання алюмінієвої труби

Алюмінієва труба підходить для прибирання у важкодоступних або високо розташованих місцях.

► Рис.28: 1. Алюмінієва труба

Використання шланга

Шланг підходить для чищення предметів, розташованих безпосередньо поряд з вами.

► Рис.29: 1. Шланг

Для використання шланга витягніть його з алюмінієвої труби, натискаючи на важіль.

► Рис.30: 1. Важіль

Для під'єднання шланга вставте шланг в алюмінієву трубу до клацання.

► Рис.31

Використання насадок

► Рис.32

Для під'єднання насадки надійно вставте її обертальним рухом в алюмінієву трубу або шланг. Для від'єднання зніміть її обертальним рухом.

ТЕХНІЧНЕ ОБСЛУГОВУВАННЯ

⚠ОБЕРЕЖНО: Перед виконанням огляду або обслуговування завжди вимикайте прилад і виймайте касету з акумулятором.

УВАГА: Ніколи не використовуйте газолін, бензин, розріджувач, спирт та подібні речовини. Їх використання може призвести до зміни кольору, деформації або появи тріщин.

Для забезпечення БЕЗПЕКИ та НАДІЙНОСТІ продукції, її ремонт, а також роботи з обслуговування або регулювання повинні виконуватись уповноваженими або заводськими сервісними центрами Makita із використанням запчастин виробництва компанії Makita.

Зберігання

На час зберігання виймайте касету з акумулятором і зберігайте пристрій на рівній поверхні у вертикальному положенні.

► Рис.33

Очищення корпусу пристрою

Час від часу протирайте зовнішню поверхню пилососа (корпус пилососа) ганчіркою, змоченою мильною водою.

► Рис.34

Очищення фільтра HEPA

⚠ОБЕРЕЖНО: Не використовуйте пилосос без фільтра й не продовжуйте використовувати засмічений або пошкоджений фільтр. Всмоктаний пил або частки можуть вилітати з пилососа, що створить небезпеку захворювання дихальних шляхів для оператора.

УВАГА: Для підтримання оптимальної сили всмоктування та чистоти вихлопу слід періодично чистити фільтр. Якщо навіть після чистки сила всмоктування недостатня, замініть фільтр.

УВАГА: Щоб уникнути пошкодження фільтра, не використовуйте зазначені далі інструменти або аналогічні предмети для очищення.

- Повітродувка
- Мийка високого тиску
- Інструменти з твердих матеріалів, наприклад дротяна щітка

1. Відкрийте кришку контейнера для пилу та витягніть мішок фільтра.

Вивільніть гачки на фільтрі й витягніть фільтр із корпусу пристрою.

► Рис.35: 1. Гачок

2. Вибийте пил із фільтра. Фільтр можна промити водою. Змивайте пил і частки з фільтра раз на 1 чи 2 місяці. Після цього слід повністю просушити фільтр у затіненому та добре вентилятованому місці, щоб уникнути неприємного запаху або несправностей.
 3. Для встановлення фільтра вставте його боком без гачків у паз і натискайте фільтр до фіксації гачків із клацанням.
- **Рис.36:** 1. Паз 2. Фільтр HEPA 3. Гачок

Очищення щіткового валика

1. Від'єднайте нижню плиту та зніміть щітковий валик.

Якщо ворсинки щіткового валика стали коротше, зверніться до сервісного центру Makita за новим валиком.

Використання пристрою зі щітковим валиком із короткими ворсинками знижує ефективність збору пилу.

- **Рис.37:** 1. Нижня плита 2. Щітковий валик

2. Видаліть нитки й волосся зі щіткового валика ножицями.

Зніміть кришку та видаліть сміття.

- **Рис.38:** 1. Кришка

3. Установіть кришку, щітковий валик і нижню плиту у зворотному порядку.

- **Рис.39**

⚠ОБЕРЕЖНО: Надійно вставте нижню плиту назад у вихідне положення до клацання двох важелів. За використання пристрою без нижньої плити щітковий валик може від'єднатися, що може призвести до травми.

- **Рис.40:** 1. Нижня плита 2. Важіль блокування

УВАГА: Завжди прикріплюйте щітковий валик. Використання пристрою без щіткового валика призведе до зниження ефективності видалення пилу.

Як видалити засмічення

УВАГА: Не використовуйте пристрій, якщо вхідний канал засмічений. Тривале використання пристрою із засміченим вхідним каналом призведе до зниження потужності всмоктування.

1. Від'єднайте нижню плиту та зніміть щітковий валик.
 2. Вийміть алюмінієву трубу з пристрою та зі шлангу.
 3. Поверніть шланг проти годинникової стрілки й витягніть шланг із пристрою.
 4. Вийміть всмоктувальний шланг, потягнувши за виступ.
- **Рис.41:** 1. Нижня плита 2. Щітковий валик
3. Алюмінієва труба 4. Шланг
5. Всмоктувальний шланг 6. Язичок

5. Перевірте вхідний канал повітря, тобто внутрішню частину алюмінієвої труби, шланга та всмоктувального шланга.

Приберіть із них сміття.

6. Зіставте виступ всмоктувального шланга із пазом у корпусі й посуньте його на місце.

- **Рис.42:** 1. Виступ 2. Паз

7. Установіть шланг, алюмінієву трубу, щітковий валик і нижню плиту.

⚠ОБЕРЕЖНО: Надійно вставте шланг і трубу. Інакше можливе просочування пилу, що може призвести до травми.

Мішок для пилу

Додаткове приладдя

Мішок для пилу можна використовувати повторно після спорожнення й очищення.

Установлення та зняття мішка для пилу

Процедура встановлення та зняття мішка для пилу така сама, як і мішка фільтра. Див. розділ про встановлення та зняття мішка фільтра.

- **Рис.43:** 1. Мішок для пилу 2. Гумова заглушка

УВАГА: Установлюючи мішок для пилу, спочатку відкрийте гумову заглушку. Вставте мішок для пилу з гумовою заглушкою ззаду.

Спорожнення мішка для пилу

1. Закрийте гумову заглушку, щоб запобігти вивільненню пилу назовні.
 2. Відкрийте горловину мішка, витягнувши застібку.
 3. Звільніть мішок для пилу від його вмісту, злегка його постукуючи, щоб видалити присталі до внутрішньої поверхні частки.
- **Рис.44:** 1. Мішок для пилу 2. Гумова заглушка
3. Застібка

УВАГА: Регулярно спорожнюйте мішок для пилу. Завелика кількість пилу може легко розірвати мішок.

Чищення мішка для пилу

Мішок для пилу слід регулярно прати у воді з милом. Виверніть мішок для пилу та видаліть налиплий бруд. Злегка випрїть руками та добре виполіть у воді. Повністю висушіть, перш ніж вставляти в пілосос.

- **Рис.45**

УВАГА: Вологий мішок для пилу зменшує ефективність роботи пілососу, а також скорочує термін служби двигуна.

УВАГА: Установлюючи застібку на мішок для пилу, переконайтеся, що горловина мішка щільно закрита.

ЦИКЛОННИЙ ФІЛЬТР

Додаткове приладдя

► Рис.46: 1. Циклонний фільтр

Про циклонний фільтр

Використання пилососа із циклонним фільтром зменшує кількість пилу, що потрапляє в мішок фільтра, що запобігає зниженню сили всмоктування. Крім того, це значно спрощує очищення після використання.

▲ ОБЕРЕЖНО: Обов'язково переконайтеся в тому, що інструмент вимкнено, а касету з акумулятором знято, перш ніж проводити будь-які роботи з інструментом. Якщо касету з акумулятором залишити в пристрої, пиросос може несподівано запуститися й стати причиною травми.

▲ ОБЕРЕЖНО: Очищуйте сітчастий фільтр циклонного фільтра й мішок фільтра пирососа, коли вони засмічуються. Подальше використання в засміченому стані може призвести до перегріву або утворення диму.

УВАГА: Не використовуйте встановлений циклонний фільтр у горизонтальному положенні або в положенні, коли його спрямовано вгору. Це може призвести до засмічення сітчастого фільтра.

УВАГА: Завжди використовуйте пиросос з установленим мішком фільтра навіть за використання циклонного фільтра. Використання пирососа без установленого мішка фільтра може призвести до несправності двигуна.

ПРИМІТКА: Перед використанням переконайтеся в тому, що циклонний фільтр, пиросос і пряму трубу зафіксовано належним чином.

ПРИМІТКА: Спорожняйте корпус для збору пилу циклонного фільтра й мішок фільтра пирососа, коли вони заповнилися пилом. Подальше використання може призвести до зниження сили всмоктування.

Установлення циклонного фільтра

1. Поверніть манжету на шлангу проти годинникової стрілки та зніміть шланг, ручку труби та алюмінієву трубу з приладу.

► Рис.47: 1. Манжета 2. Шланг 3. Ручка труби 4. Алюмінієва труба

2. Поверніть бічну частину стопера на циклонному фільтрі вгору, сумістивши стопор із канавкою всмоктувального отвору. Зафіксуйте стопор, вставивши циклонний фільтр до клацання. Злегка потягніть циклонний фільтр, щоб переконатися, що він не рухається. Установіть пряму трубу так само, як і циклонний фільтр.

► Рис.48: 1. Ручка циклонного фільтра 2. Усмоктувальний отвір 3. Циклонний фільтр 4. Пряма труба циклонного фільтра 5. Стопор 6. Кнопка блокування

3. Установіть циклонний фільтр на пристрій, після чого поверніть манжету на шлангу за годинниковою стрілкою, щоб зафіксувати її.

► Рис.49

Видалення пилу

Після заповнення пилом до рівня лінії заповнення в корпусі для збору пилу виконайте описану далі процедуру й утилізуйте пил.

1. Міцно втримуючи корпус для збору пилу, натисніть і утримуйте дві кнопки, після чого зніміть корпус для збору пилу.

► Рис.50: 1. Лінія заповнення 2. Корпус для збору пилу 3. Кнопка (два положення) 4. Сітчастий фільтр

2. Видаліть пил із корпусу для збору пилу й видаліть пил і дрібний пил із поверхні сітчастого фільтра.

3. Вставте корпус для збору пилу таким чином, щоб дві кнопки зафіксувалися з клацанням.

► Рис.51: 1. Корпус для збору пилу 2. Кнопка (два положення)

ПРИМІТКА: Під час установлення пилососа міцно тримайте циклонний фільтр.

ПРИМІТКА: Перед подальшим використанням переконайтеся в тому, що циклонний фільтр, пиросос і пряму трубу зафіксовано належним чином.

ПРИМІТКА: Індикатор надмірного рівня пилу на пирососі не засвітиться, якщо корпус для збору пилу циклонного фільтра заповнений.

ПРИМІТКА: За наведених нижче умов перевіряйте, чи не накопичився пил усередині мішка фільтра пирососа й чи не засмітився повітряний тракт. За потреби усуньте причини.

— Якщо ефективність усмоктування не зросла після видалення пилу з корпусу для збору пилу й очищення сітчастого фільтра.

— Якщо індикатор надмірного рівня пилу на пирососі продовжує світитися.

Чищення

Коли забрудниться корпус для збору пилу чи засмітиться сітчастий фільтр, витягніть і промийте їх водою. (Процедуру видалення див. у розділі «Утилізація пилу».)

Ретельно просушіть деталі перед повторним установленням і використанням.

► Рис.52: 1. Корпус для збору пилу 2. Сітчастий фільтр

Якщо сітчастий фільтр сильно забруднений, очистьте його, виконавши вказані далі процедури.

1. Поверніть сітчастий фільтр проти годинникової стрілки й вийміть його, поки гачки перебувають у незафіксованому положенні.

► Рис.53: 1. Сітчастий фільтр 2. Гачок

2. Видаліть пил із сітчастого фільтра й промийте його водою. Після цього ретельно просушіть його.

3. Вставте сітчастий фільтр в основу таким чином, щоб гачки розташувалися на одній лінії з отвором. Поверніть сітчастий фільтр за годинниковою стрілкою до фіксації гачків із клацанням. Переконайтеся в тому, що сітчастий фільтр надійно зафіксовано.

► Рис.54: 1. Сітчастий фільтр 2. Гачок 3. Отвір

УСУНЕННЯ НЕСПРАВНОСТЕЙ

Перш ніж звертатися з приводу ремонту машини, проведіть її перевірку самостійно. У разі виявлення несправності, яка не пояснюється в цій інструкції з експлуатації, не намагайтеся розібрати обладнання. Натомість зверніться до авторизованих сервісних центрів Makita, у яких для ремонту використовуються тільки запасні частини виробництва компанії Makita.

Несправність	Ймовірна причина	Спосіб виправлення
Пристрій не працює	Касету з акумулятором встановлено неправильно.	Установіть касету з акумулятором, як описано в цьому посібнику.
	Касета з акумулятором розряджена.	Зарядіть касету з акумулятором.
	Ручка встановлена неправильно.	Надійно вставте ручку, як описано в цьому посібнику.
Щітковий валик не обертається	Пристрій заблоковано у вертикальному положенні.	Розблокуйте пристрій із вертикального положення.
	Світлиться індикатор помилки щіткового валика.	Перевірте, чи не намоталися на щітковий валик (корпус, кришку та з'єднання) сторонні предмети.
Недостатня потужність всмоктування	Горить індикатор надлишкового рівня пилу.	Замініть мішок фільтра. Якщо мішок фільтра не заповнено, розгорніть мішок фільтра й потрусіть його, щоб усунути засмічення.
	⇒Якщо після заміни мішка фільтра проблема не зникла...	Очистьте або замініть фільтр HEPA.
		Переконайтеся в тому, що шланг і труба не засмічені.
	Сміття намоталося на щітковий валик, і швидкість обертання знизилася.	Перевірте, чи не намоталися на щітковий валик (корпус, кришку, з'єднання) сторонні предмети.
	Щітковий валик розташовано занадто високо відносно підлоги.	Опустіть щітковий валик.
	Зменшилася довжина ворсинок на щітковому валуку.	Замініть щітковий валик. Опустіть щітковий валик.
	Пристрій працює в режимі зниженої потужності.	Переключіть пристрій у режим більш високої потужності.
	Щітковий валик не встановлено.	Установіть щітковий валик.
Труба або шланг встановлені неправильно.	Надійно встановіть трубу або шланг.	
Гучний шум під час переміщення	Пристрій працює в режимі підвищеного рівня потужності.	Переключіть пристрій у режим нижчого рівня потужності.
	На щітковий валик намоталося сміття.	Перевірте, чи не намоталися на щітковий валик (корпус, кришку та з'єднання) сторонні предмети.
	Мішок фільтра заповнений пилом.	Замініть мішок фільтра.
	⇒Якщо після заміни мішка фільтра проблема не зникла...	Очистьте або замініть фільтр HEPA.
	Переконайтеся в тому, що шланг і труба не засмічені.	
Індикатор надмірного рівня пилу блимає після короткочасного використання	Мішок фільтра зам'явся.	Розпряміть вхідну частину мішка фільтра перед його встановленням.
Індикатор не світлиться	Індикатор вимкнено.	Під час роботи натисніть і втримуйте кнопку перевірки акумулятора / увімкнення індикатора, щоб увімкнути індикатор.
Ускладнено обертання ролика	На ролик намоталося сміття.	Видаліть сміття з ролика.

ДОДАТКОВЕ ПРИЛАДДЯ

⚠ ОБЕРЕЖНО: Це додаткове та допоміжне обладнання рекомендовано використовувати з інструментом Makita, зазначеним у цій інструкції з експлуатації. Використання будь-якого іншого додаткового та допоміжного обладнання може становити небезпеку травмування. Використовуйте додаткове та допоміжне обладнання лише за призначенням.

У разі необхідності отримати допомогу в більш детальному ознайомленні з оснащенням звертайтеся до місцевого сервісного центру Makita.

- Кутовий шуццер
- Кругла щітка
- Циклонний фільтр
- Фільтр HEPA
- Мішок фільтра
- Мішок для пилу
- Оригінальний акумулятор та зарядний пристрій Makita

ПРИМІТКА: Деякі елементи списку можуть входити до комплекту інструмента як стандартне приладдя. Вони можуть відрізнятися залежно від країни.

AVERTIZARE

- Pentru utilizatorii din Europa: Acest aparat poate fi utilizat de copiii cu vârsta de cel puțin 8 ani și de persoanele cu capacități fizice, senzoriale sau mintale reduse ori lipsite de experiență și cunoștințe doar dacă sunt supravegheate sau au fost instruite cu privire la utilizarea articolului în siguranță și dacă înțeleg pericolele implicate. Copiii nu au voie să folosească acest aparat ca jucărie. Curățarea și întreținerea nu vor fi efectuate de copii nesupravegheați.
- Pentru utilizatorii din afara Europei: Acest aparat nu este destinat utilizării de către persoane (inclusiv copii) cu capacități fizice, senzoriale sau mintale reduse ori lipsite de experiență și cunoștințe, cu excepția cazului în care sunt supravegheate sau au fost instruite cu privire la utilizarea articolului de către o persoană responsabilă pentru siguranța lor.
- Copiii trebuie să fie supravegheați pentru a vă asigura că nu se joacă cu aparatul.
- **ATENȚIE:** Înainte de a efectua orice operație de întreținere, deconectați aparatul de la sursa de alimentare. Realizați periodic întreținerea aparatului.
- Acumulatorii reîncărcabili trebuie scoși din dispozitiv înainte de încărcare.
- Pentru a scoate sau a monta acumulatorul, glisați cartușului afară din mașină în timp ce apăsați butonul de pe partea frontală a cartușului.
- Acumulatorii epuizați trebuie scoși din dispozitiv și eliminați în siguranță. Urmați reglementările locale privind eliminarea acumulatorilor.
- Dacă dispozitivul urmează să fie depozitat și nu este utilizat pentru o perioadă îndelungată, acumulatorii trebuie scoși.
- Bornele de alimentare nu trebuie scurtcircuitate.

Cartușul acumulatorului și încărcătorul aplicabile

Cartușul acumulatorului	BL4020 / BL4025 / BL4040 / BL4040F / BL4050F / BL4080F
Încărcător	DC40RA / DC40RB / DC40RC

- Este posibil ca unele cartușe ale acumulatorilor și încărcătoare menționate mai sus să nu fie disponibile în funcție de regiunea dvs. de reședință.

⚠️ AVERTIZARE: Utilizați numai cartușele de acumulator și încărcătoarele enumerate mai sus. Utilizarea oricărui altor cartușe de acumulator și încărcătoare poate duce la rănire și/sau incendiu.

SPECIFICAȚII

Model:	VC010G
Volum maxim de aer ^{**1}	1,8 m ³ /min
Aspirare ^{**1}	15 kPa
Capacitate	5 L
Dimensiuni (L x l x H)	326 mm x 381 mm x 1.146 mm
Tensiune nominală	Max. 36 V - 40 V cc.
Greutate netă	8,0 - 9,2 kg

^{**1} Valoarea este măsurată prin metoda noastră proprie.

- Datorită programului nostru continuu de cercetare și dezvoltare, specificațiile pot fi modificate fără o notificare prealabilă.
- Specificațiile pot varia în funcție de țară.
- Greutatea include accesoriile (perie rotundă, duză pentru colțuri) și cartușul (cartușele) acumulatorului. Greutatea combinată (cea mai mică și cea mai mare) a aparatului și a cartușului (cartușelor) acumulatorului este prezentată în tabel.

Simboluri

Mai jos sunt prezentate simbolurile care pot fi utilizate pentru echipament. Asigurați-vă că înțelegeți sensul acestora înainte de utilizare.



Citiți manualul de utilizare.



Acordați atenție și grijă deosebită.



Un acumulator reprezentativ aplicabil pentru acest produs.



Doar pentru țările din cadrul UE
Din cauza prezenței componentelor periculoase în echipament, deșeurile de echipamente electrice și electronice, acumulatorii și bateriile pot avea un efect negativ asupra mediului și sănătății umane.

Nu eliminați aparatele electrice și electronice sau bateriile împreună cu gunoii menajeri!

În conformitate cu Directiva europeană privind deșeurile de echipamente electrice și electronice, acumulatorii, bateriile și deșeurile de acumulatori și baterii, precum și cu adaptarea sa în legislația națională, deșeurile de echipamente electrice, de baterii și de acumulatori trebuie depozitate separat și eliminate la un centru de colectare separat pentru deșeurile municipale, care respectă reglementările privind protecția mediului.

Acest lucru este indicat prin simbolul care reprezintă o pubea cu roți barată cu o cruce, aplicat pe echipament.

Destinația de utilizare

Acest aparat este destinat colectării prafului uscat. Acest aparat este potrivit pentru uz comercial, de exemplu, în hoteluri, școli, spitale, fabrici, magazine, birouri și în societăți de închiriere.

Zgomot

Nivelul de zgomot normal ponderat A determinat în conformitate cu IEC60335-2-69:

Nivel de presiune acustică (L_{pA}): 70 dB(A) sau mai puțin
Marjă de eroare (K): 2,5 dB(A)

Nivelul de zgomot în timpul funcționării poate depăși 80 dB (A).

NOTĂ: Valoarea (valorile) totală(e) a (ale) emisiilor de zgomot declarate a(u) fost măsurată(e) în conformitate cu o metodă de test standard și poate (pot) fi utilizată(e) pentru compararea unei unelte cu alta.

NOTĂ: Valoarea (valorile) totală(e) a (ale) emisiilor de zgomot declarate poate (pot) fi, de asemenea, utilizată(e) într-o evaluare preliminară a expunerii.

⚠️AVERTIZARE: Purtați echipament de protecție pentru urechi.

⚠️AVERTIZARE: Emisiile de zgomot în timpul utilizării efective a unelei electrice poate diferi de valoarea (valorile) nivelului declarat, în funcție de modul în care unealta este utilizată, în special ce fel de piesă este prelucrată.

⚠️AVERTIZARE: Asigurați-vă că identificați măsurile de siguranță pentru a proteja operatorul, acestea fiind bazate pe o estimare a expunerii în condiții reale de utilizare (luând în considerare toate părțile ciclului de operare, precum timpii în care unealta a fost oprită, sau a funcționat în gol, pe lângă timpul de declanșare).

Vibrații

Valoarea totală a vibrațiilor (suma vectorilor tri-axiali) determinată conform IEC60335-2-69:

Emisie de vibrații ($a_{h,M}$): 2,5 m/s² sau mai puțin
Marjă de eroare (K): 1,5 m/s²

NOTĂ: Valoarea (valorile) totală(e) a (ale) nivelului de vibrații declarat a (au) fost măsurată(e) în conformitate cu o metodă de test standard și poate (pot) fi utilizată(e) pentru compararea unei unelte cu alta.

NOTĂ: Valoarea (valorile) totală(e) a (ale) nivelului de vibrații declarat poate (pot) fi, de asemenea, utilizată(e) într-o evaluare preliminară a expunerii.

⚠️AVERTIZARE: Nivelul de vibrații în timpul utilizării efective a unelei electrice poate diferi de valoarea (valorile) nivelului declarat, în funcție de modul în care unealta este utilizată, în special ce fel de piesă este prelucrată.

⚠️AVERTIZARE: Asigurați-vă că identificați măsurile de siguranță pentru a proteja operatorul, acestea fiind bazate pe o estimare a expunerii în condiții reale de utilizare (luând în considerare toate părțile ciclului de operare, precum timpii în care unealta a fost oprită, sau a funcționat în gol, pe lângă timpul de declanșare).

Declarații de conformitate

Numai pentru țările europene

Declarațiile de conformitate sunt incluse ca Anexa A la acest manual de instrucțiuni.

AVERTIZĂRI DE SIGURANȚĂ

Avertismente privind siguranța pentru aspiratorul fără cablu

⚠️ AVERTIZARE: IMPORTANT CITIȚI CU ATENȚIE toate avertizările de siguranță și toate instrucțiunile ÎNAINTE DE UTILIZARE. Nerespectarea acestor avertismente și instrucțiuni poate avea ca rezultat electrocutarea, incendiul și/ sau rănirea gravă.

1. Înainte de utilizare, asigurați-vă că aspiratorul va fi utilizat de persoane care au fost instruite în mod adecvat în ceea ce privește utilizarea acestuia.
2. Nu utilizați fără sacul filtrant și/sau fără filtrele montate. Înlocuiți imediat filtrul, dacă acesta este deteriorat.
3. **EVITAȚI PORNIREA ACCIDENTALĂ.** Asigurați-vă că comutatorul este OPRIT înainte de a instala acumulatorul (acumulatorii).
4. Nu încercați să colectați materiale inflamabile, artificii, țigări aprinse, cenușă fierbinte, așchii de metal fierbinți, materiale ascuțite precum lame, ace, sticlă spartă sau altele asemenea.
5. **NU UTILIZAȚI NICIODATĂ ASPIRATORUL ÎN APROPIEREA BENZINEI, GAZELOR, VOPSELELOR, ADEZIVILOR SAU ALTOR SUBSTANȚE EXTREM DE EXPLOZIVE.** Întrerupătorul emite scântei atunci când este PORNIT sau OPRIT. La fel și comutatorul motorului în timpul operării. Poate rezulta o explozie periculoasă.
6. Acest aspirator nu este adecvat pentru aspirarea zonelor cu praf periculoase.
7. Nu aspirați niciodată materiale toxice, cancerigene, combustibile sau periculoase precum azbest, arsenic, bariu, beriliu, plumb, pesticide sau alte materiale periculoase pentru sănătate.
8. Nu aspirați spumă precum cea produsă de agenții de curățare a covoarelor etc. Aceasta ar putea cauza explozii sau incendii.
9. Nu utilizați în exterior sau pe suprafețe umede.
10. În Finlanda, această mașină nu trebuie utilizată la exterior, la temperatură scăzută.
11. Nu utilizați aparatul în apropierea surselor de căldură (sobe etc.).
12. Nu blocați orificiul de aspirație/orificiul de evacuare/orificiile de ventilație care asigură răcirea. Aceste orificii permit răcirea motorului. Blocarea trebuie evitată cu atenție; altfel, motorul se va arde din cauza lipsei ventilației.
13. Nu pliați, nu trageți și nu călcați pe furtun.
14. Opriți aspiratorul imediat dacă performanțele acestuia se reduc sau dacă observați orice anomalitate în timpul operării.
15. **SCOATEȚI ACUMULATORUL (ACUMULATORII).** Când nu este utilizat, înainte de service și la schimbarea accesoriilor.
16. Curățați și efectuați întreținerea aspiratorului imediat după fiecare utilizare pentru a-l păstra într-o stare de funcționare optimă.
17. **ÎNGRIJIȚI ASPIRATORUL.** Păstrați aspiratorul curat pentru o operare cât mai bună și sigură. Respectați instrucțiunile pentru schimbarea accesoriilor. Asigurați-vă că mânerul sunt uscate, curate și fără ulei sau unsoare.
18. **VERIFICAȚI PENTRU A IDENTIFICA EVENTUALELE COMPONENTE DEFECTE.** Înainte de a continua utilizarea aspiratorului, trebuie să verificați cu atenție dispozitivele de protecție sau alte componente care sunt deteriorate, pentru a stabili dacă aspiratorul va funcționa în mod corespunzător. Verificați alinierea componentelor mobile, funcționarea liberă a componentelor mobile, starea fizică a componentelor, montarea sau orice altă stare care ar putea afecta operarea acestuia. Dispozitivele de protecție și orice altă componentă care este deteriorată trebuie să fie reparate în mod corespunzător de către un atelier de service autorizat, cu excepția cazurilor în care se stipulează în mod diferit într-o altă secțiune a acestui manual de instrucțiuni. Reparați întrerupătoarele defecte în cadrul unui centru de service autorizat. Nu utilizați aspiratorul dacă nu îl puteți porni sau opri de la întrerupător.
19. **PIESE DE SCHIMB.** La efectuarea operațiilor de service, utilizați numai piese de schimb identice cu cele înlocuite.
20. Atunci când nu utilizați aspiratorul, depozitați-l întotdeauna în interior.
21. Utilizați cu grijă aspiratorul. O manipulare neatență poate cauza defectarea chiar și a celui mai rezistent aspirator.
22. Nu încercați să curățați exteriorul sau interiorul cu benzină, diluant sau alte substanțe chimice de curățare. Pot apărea fisuri și decolorare.
23. Nu utilizați aspiratorul într-un spațiu închis în care vapori inflamabili, explozivi sau toxici sunt emanați de vopsea pe bază de ulei, benzină, unele substanțe de tratare chimică împotriva moliiilor etc. sau în zone în care este prezent praf inflamabil.
24. Nu utilizați acest aspirator sau orice altă unealtă atunci când vă aflați sub influența medicamentelor sau alcoolului.
25. Purați echipament de protecție adecvat, de exemplu o mască, în funcție de mediul de utilizare.
26. Acest aparat nu este destinat utilizării de către persoane, inclusiv copii, cu capacități fizice, senzoriale sau mentale reduse sau cu lipsă de experiență și cunoștințe.
27. Copiii trebuie supravegheați pentru a vă asigura că nu se joacă cu aspiratorul.
28. Nu manipulați niciodată acumulatorul (acumulatorii) și aspiratorul cu mâinile ude.
29. Acordați o atenție specială la curățarea pe trepte.

30. Nu utilizați aspiratorul în locuri instabile sau înclinate pentru a evita căderea acestuia, care ar putea conduce la vătămări corporale sau deteriorare.
31. Mențineți-vă permanent echilibrul și sprijiniți-vă ferm pe picioare.
32. Nu utilizați aspiratorul pe post de scaun sau ca banc de lucru. Acesta poate cădea, cauzând accidente.
33. Țineți-vă toate părțile corpului și îmbrăcămintea la distanță de deschideri și de părțile aflate în mișcare, precum peria rotativă cu role. În caz contrar, acestea s-ar putea prinde în aparat, provocând vătămări corporale.

Utilizarea și îngrijirea acumulatorului mașinii

1. **Efectuați reincărcarea numai cu încărcătorul specificat de producător.** Un încărcător adecvat pentru un anumit tip de acumulator poate prezenta risc de incendiu dacă este utilizat cu alt tip de acumulator.
2. **Folosiți mașinile electrice numai cu acumulatorii special destinați acestora.** Utilizarea altor acumulatori poate prezenta risc de rănire și de incendiu.
3. **Când nu folosiți cartușul de acumulatori, țineți-l la distanță de obiecte metalice precum agrafe de birou, monede, chei, cuie, șuruburi sau alte obiecte metalice mici, ce pot constitui o legătură între cele două borne.** Scurtcircuitarea bornelor acumulatorului poate provoca arsuri sau incendii.
4. **În condiții extreme, lichidul poate fi eliminat din acumulator; evitați contactul cu acesta. Dacă intrați în contact accidental, clătiți bine cu apă zona afectată. Dacă lichidul intră în contact cu ochii, consultați și un medic.** Lichidul eliminat din acumulator poate provoca iritații sau arsuri.
5. **Nu utilizați un acumulator sau o unealtă care este avariată sau modificată.** Bateriile avariate sau modificate pot prezenta comportament imprevizibil ce poate cauza incendii, explozii sau risc de rănire.
6. **Nu expuneți un acumulator sau o unealtă la foc sau la temperaturi excesive.** Expunerea la foc sau la temperaturi mai mari de 130 °C poate cauza explozii.
7. **Urmați toate instrucțiunile de încărcare și nu încărcăți acumulatorul sau unealta la temperaturi din afara intervalului specificat în instrucțiuni.** Încărcarea incorectă sau la temperaturi din afara intervalului specificat poate cauza deteriorarea bateriei și creșterea riscului de incendiu.

PĂSTRAȚI ACESTE INSTRUCȚIUNI.

⚠️ AVERTIZARE: NU permiteți comodității și familiarizării cu produsul (obținute prin utilizare repetată) să înlocuiască respectarea strictă a normelor de securitate pentru acest produs. **FOLOSIREA INCORECTĂ** sau nerespectarea normelor de securitate din acest manual de instrucțiuni poate provoca vătămări corporale grave.

Instrucțiuni importante privind siguranța pentru cartușul acumulatorului

1. **Înainte de a folosi cartușul acumulatorului, citiți toate instrucțiunile și atenționările de pe (1) încărcătorul acumulatorului, (2) acumulator și (3) produsul care folosește acumulatorul.**
2. **Nu dezasamblați și nu interveniți asupra cartușului acumulatorului.** Acest lucru poate cauza incendii, căldură excesivă sau explozii.
3. **Dacă timpul de funcționare s-a redus excesiv, întrerupeți imediat funcționarea. Aceasta poate prezenta risc de supraîncălzire, posibile arsuri și chiar explozie.**
4. **Dacă electrolitul pătrunde în ochi, clătiți bine ochii cu apă curată și consultați imediat un medic. Există risc de orbire.**
5. **Nu scurtcircuitați cartușul acumulatorului:**
 - (1) **Nu atingeți bornele cu niciun material conductor.**
 - (2) **Evitați depozitarea cartușului acumulatorului la un loc cu alte obiecte metalice cum ar fi cuie, monede etc.**
 - (3) **Nu expuneți cartușul acumulatorului la apă sau ploaie.**

Un scurtcircuit al acumulatorului poate provoca un flux puternic de curent electric, supraîncălzire, posibile arsuri și chiar defectarea mașinii.
6. **Nu depozitați și nu utilizați mașina și cartușul acumulatorului în locuri în care temperatura poate atinge sau depăși 50 °C (122 °F).**
7. **Nu incinerăți cartușul acumulatorului chiar dacă acesta este grav deteriorat sau complet uzat. Cartușul acumulatorului poate exploda în foc.**
8. **Nu introduceți cuie în cartușul acumulatorului, nu îl tăiați, striviți, aruncați sau scapați și nu îl loviți cu un obiect dur.** Astfel de acțiuni pot provoca incendii, căldură excesivă sau explozii.
9. **Nu utilizați un acumulator deteriorat.**
10. **Acumulatorii Li-Ion încorporați se supun cerințelor Legislației privind substanțele periculoase.**

Pentru transporturi comerciale, efectuate de exemplu de către părți terțe, expeditori, trebuie respectate cerințele speciale de ambalare și etichetare.

Pentru pregătirea articolului care urmează să fie expediat, este necesară consultarea unui expert în materiale periculoase. Vă rugăm să respectați, de asemenea, reglementările naționale, care pot fi mai detaliate.

Izolați sau acoperiți contactele deschise și împachetați acumulatorul în așa fel încât să nu se poată mișca în ambalaj.
11. **Atunci când eliminați la deșeurile cartușul acumulatorului, scoateți-l din mașină și eliminați-l într-un loc sigur. Respectați normele naționale privind eliminarea la deșeurile a acumulatorului.**

12. **Utilizați acumulatorii numai cu produsele specificate de Makita.** Instalarea acumulatorilor în produse neconforme poate cauza incendii, căldură excesivă, explozii sau scurgeri de electrolit.
13. **Dacă mașina nu este utilizată o perioadă lungă de timp, acumulatorii trebuie scos din acesta.**
14. **În timpul utilizării și după aceea, cartușul acumulatorului se poate încălzi, ceea ce poate cauza arsuri sau arsuri la temperaturi scăzute. Fiți atenți la manipularea cartușelor de acumulator atunci când sunt fierbinți.**
15. **Nu atingeți borna mașinii imediat după utilizare, întrucât se poate încălzi foarte tare și poate provoca arsuri.**
16. **Nu lăsați să pătrundă așchii, praf sau pământ în borne, în orificii și în canelurile cartușului acumulatorului.** Acest lucru poate provoca încălzirea, aprinderea, explozia și defectarea mașinii sau a cartușului acumulatorului, cauzând arsuri sau vătămări corporale.
17. **Nu utilizați cartușul acumulatorului în apropierea liniilor electrice de înaltă tensiune, cu excepția cazului în care mașina suportă utilizarea în apropierea liniilor electrice de înaltă tensiune.** Acest lucru poate duce la funcționarea necorespunzătoare sau la defectarea mașinii sau a cartușului acumulatorului.
18. **Țineți acumulatorul la distanță de copii.**

PĂSTRAȚI ACESTE INSTRUCȚIUNI.

ATENȚIE: Folosiți numai acumulatori Makita originali. Acumulatorii Makita care nu sunt originali și acumulatorii care au suferit modificări se pot aprinde, provocând incendii, leziuni corporale și daune. De asemenea, anulează garanția oferită de Makita pentru unele și încărcătorul Makita.

Sfaturi pentru obținerea unei durate maxime de exploatare a acumulatorului

1. **Încărcați cartușul acumulatorului înainte de a se descărca complet. Întrerupeți întotdeauna funcționarea mașinii și încărcați cartușul acumulatorului când observați o scădere a puterii mașinii.**
2. **Nu reîncărcați niciodată un acumulator complet încărcat. Supraîncărcarea va scurta durata de exploatare a acumulatorului.**
3. **Încărcați cartușul acumulatorului la temperatura camerei, între 10 °C - 40 °C (50 °F - 104 °F). Lăsați un acumulator fierbinte să se răcească înainte de a-l încărca.**
4. **Atunci când nu utilizați cartușul acumulatorului, scoateți-l din mașină sau din încărcător.**
5. **Încărcați cartușul acumulatorului în cazul în care nu a fost utilizat pe o perioadă mai lungă (mai mult de șase luni).**

DESCRIERE COMPONENTE

► Fig.1

1	Mâner	2	Plăcuța comutatorului	3	Mânerul țevii	4	Furtun
5	Panou indicator	6	Pârghie (pentru capacul cutiei pentru praf)	7	Capacul cutiei pentru praf	8	Mâner de transport
9	Cartușul acumulatorului	10	Pârghie de reglare	11	Duză pentru colțuri	12	Perie rotundă
13	Pârghie pentru picior	14	Roata rotiliei	15	Perie laterală	16	Furtun de aspirație
17	Îmbinare	18	Țeavă din aluminiu	19	Suport țeavă	20	Lampă
21	Perie cu role	22	Placa din partea de jos	23	Buton de schimbare a modurilor	24	Buton ON/OFF (Pornire/Oprire)
25	Indicator mod de operare	26	Indicator nivel mare de praf	27	Indicator eroare perie cu role	28	Indicator pentru capacitatea rămasă a acumulatorului
29	Buton verificare acumulator/Buton lampă	-	-	-	-	-	-

ASAMBLARE

ATENȚIE: Asigurați-vă întotdeauna că aparatul este oprit, iar cartușul acumulatorului este scos, înainte de a executa orice acțiune asupra aparatului.

ATENȚIE: Purtați întotdeauna o mască de protecție contra prafului în timpul asamblării sau întreținerii.

Conectarea mânerului

1. Introduceți bara mânerului complet în corpul aspiratorului, astfel cum se arată în figură.
 2. Închideți încuietoarea dispozitivului de blocare.
- Fig.2: 1. Bara mânerului 2. Marcaj roșu
3. Încuietoarea dispozitivului de blocare

NOTĂ: Introduceți mânerul complet, până când marcajul roșu nu mai este vizibil.

Conectarea furtunului

Introduceți furtunul în portul de montare al aparatului și rotiți furtunul până când se blochează.

► Fig.3: 1. Port de montare

Conectarea țevii

Introduceți vârful țevii din aluminiu în îmbinare și apoi atașați țeava din aluminiu la suportul țevii.

► Fig.4: 1. Îmbinare 2. Suport țeavă

NOTĂ: Introduceți țeava din aluminiu în direcția corectă, astfel cum se arată în imagine. În caz contrar, suportul țevii nu se va bloca și există posibilitatea ca țeava din aluminiu să se desprindă.

► Fig.5

Instalarea sau scoaterea cartușului acumulatorului

ATENȚIE: Opriti întotdeauna aparatul înainte de a instala sau de a scoate cartușul acumulatorului.

ATENȚIE: Țineți ferm aspiratorul și cartușul acumulatorului la instalarea sau scoaterea cartușului acumulatorului. În cazul în care nu țineți ferm aspiratorul și cartușul acumulatorului, acestea vă pot aluneca din mâini, rezultând defectarea aspiratorului și a cartușului acumulatorului, precum și accidentări.

ATENȚIE: Aveți grijă să nu vă prindeți degetele la instalarea cartușului acumulatorului. În caz contrar, există pericol de vătămare corporală.

ATENȚIE: Nu instalați/scoateți cartușul acumulatorului cu mâinile ude. Există riscul de electrocutare.

Aliniați limba de pe cartușul acumulatorului cu canelura din carcasă și introduceți-l în locaș. Introduceți-l complet, până când se înclichetează în locaș.

► Fig.6: 1. Cartușul acumulatorului 2. Buton

Pentru a scoate cartușul acumulatorului, scoateți-l din aparat în timp ce glisați în sus butonul de pe partea frontală a cartușului.

ATENȚIE: Întotdeauna introduceți complet cartușul acumulatorului. În caz contrar, acesta poate cădea accidental din aparat provocând accidentarea dumneavoastră sau a persoanelor din jur.

ATENȚIE: Nu forțați cartușul acumulatorului la montare. Dacă acesta nu glisează ușor, înseamnă că a fost introdus incorect.

Montarea sacului filtrant

ATENȚIE: Nu utilizați un sac filtrant deteriorat. Utilizați întotdeauna aspiratorul cu sacul filtrant corect montat. În caz contrar, praful sau particulele aspirate pot fi evacuate din aspirator și pot provoca boli respiratorii operatorului.

Montați sacul filtrant înainte de a utiliza aspiratorul. Sacul filtrant este de unică folosință. Când se umple complet sacul filtrant, aruncați-l fără a-l goli.

NOTĂ: Când sacul filtrant se umple sau se înfundă, înlocuiți-l cu unul nou. Continuarea utilizării cu sacul filtrant plin sau înfundat are ca rezultat o putere de aspirare redusă.

NOTĂ: Pentru a preveni infiltrarea prafului în motor:

- Asigurați-vă că sacul filtrant este montat înainte de utilizare.
- Nu utilizați un sac rupt sau deteriorat.

În caz contrar, motorul se poate defecta.

NOTĂ: Nu îndoiiți cartonul de la admisie atunci când montați sacul filtrant.

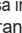
NOTĂ: Sacul filtrant al aspiratorului reprezintă o componentă importantă pentru păstrarea performanței aparatului. Utilizarea unui sac filtrant care nu este original poate genera fum sau poate provoca aprinderea.

NOTĂ: Când sacul filtrant nu este montat în aparat, capacul cutiei pentru praf nu se închide complet.

NOTĂ: În unele țări și regiuni este deja montat un sac de praf reutilizabil. Puteți urma aceiași pași pentru montare/demontare ca pentru sacul filtrant.

1. Deblocați pârghia și deschideți capacul cutiei pentru praf.
- Fig.7: 1. Pârghie 2. Capacul cutiei pentru praf

2. Depliați complet sacul filtrant.
- Fig.8

3. Deschideți încuietoarea și introduceți sacul filtrant în fanta de pe suport, astfel încât partea cu marcajul  să intre prima.
- Fig.9: 1. Încuietoare 2. Fantă 3. Sac filtrant 4. Suport
- Fig.10: 1. Marcaj 2. Fantă

NOTĂ: Asigurați-vă că doar marcajul de pe carton poate fi văzut prin fanta suportului.

4. Prindeți cu cârligul dispozitivul de blocare a suportului.
- Fig.11: 1. Dispozitiv de blocare
5. Depliați sacul filtrant dacă este pliat.
- Fig.12

6. Blocați bine capacul cutiei pentru praf.

ATENȚIE: Aveți grijă să nu vă prindeți degetele atunci când prindeți cu cârligul dispozitivul de blocare și când închideți capacul cutiei pentru praf.

Scoaterea sacului filtrant

ATENȚIE: Manevrați sacul filtrant cu delicatețe. În caz contrar, obiecte străine pot fi suflate în ochi, ceea ce poate provoca vătămări corporale.

Înlocuiți sacul filtrant atunci când acesta se umple sau se înfundă.

Deschideți capacul cutiei pentru praf și dispozitivul de blocare, apoi scoateți sacul filtrant.

► **Fig.13:** 1. Dispozitiv de blocare

Trageți banda de pe partea deschiderii pentru a închide sacul filtrant și aruncați sacul filtrant cu totul.

► **Fig.14:** 1. Bandă

NOTĂ: Nu reutilizați sacul filtrant. Sacul filtrant este conceput pentru o singură utilizare. Folosirea repetată a unui sac filtrant poate provoca blocarea filtrului și poate deteriora aparatul.

DESCRIEREA FUNCȚIILOR

ATENȚIE: Asigurați-vă întotdeauna că aparatul este oprit și cartușul acumulatorului este scos înainte de a ajusta sau verifica funcționarea aparatului.

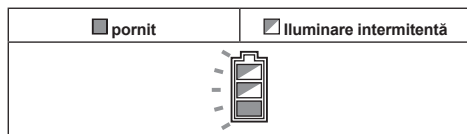
Sistem de protecție aparat/acumulator

Aparatul este echipat cu un sistem de protecție a aparatului/acumulatorului. Acest sistem întrerupe automat alimentarea motorului pentru a prelungi durata de funcționare a aparatului și a acumulatorului. Aparatul se va opri automat în timpul funcționării dacă aparatul sau acumulatorul se află într-una dintre situațiile următoare:

Protecție la suprasarcină

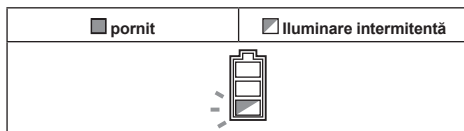
Când aparatul este utilizat într-un mod care duce la un consum de curent anormal de ridicat, aparatul se va opri automat. În această situație, opriți aparatul și întrerupeți aplicația care a dus la suprasolicitare. Apoi, reporniți aparatul.

Protecție la supraîncălzire



Când aparatul este supraîncălzit, aparatul se oprește automat și indicatorul acumulatorului luminează intermitent timp de aproximativ 60 de secunde. În această situație, lăsați aparatul să se răcească înainte de a-l reporni.

Protecție la supradescărcare



Când capacitatea acumulatorului este prea scăzută, aparatul se oprește automat și indicatorul acumulatorului luminează intermitent timp de aproximativ 60 de secunde. Dacă produsul nu funcționează deși comutatoarele sunt acționate, scoateți acumulatorul din aparat și încărcați-l.

Indicarea capacității rămase a acumulatorului

Apăsăți butonul de verificare de pe cartușul acumulatorului, astfel încât să se indice capacitățile rămase ale acumulatorului. Lămpile indicatorului vor lumina timp de câteva secunde.

► **Fig.15:** 1. Lămpi indicatoare 2. Buton de verificare

Lămpi indicatoare			Capacitate rămasă
Iluminat	Oprit	Iluminare intermitentă	
			Între 75% și 100%
			Între 50% și 75%
			Între 25% și 50%
			Între 0% și 25%
			Încărcați acumulatorul.
			Este posibil ca acumulatorul să fie defect.

NOTĂ: În funcție de condițiile de utilizare și temperatura ambientală, indicația poate fi ușor diferită de capacitatea reală.

NOTĂ: Prima lampă indicatoare (extremitatea stângă) va lumina intermitent când sistemul de protecție a acumulatorului funcționează.

Panou indicator

► **Fig.16:** 1. Mod de operare 2. Nivel mare de praf 3. Eroare perie cu role 4. Capacitatea rămasă a acumulatorului 5. Buton verificare acumulator/Buton lampă

Mod de operare

Pentru a schimba modul de operare, consultați secțiunea referitoare la acționarea întrerupătorului.

Nivel mare de praf

Dacă acest indicator se aprinde, înlocuiți sacul filtrant. (Consultați secțiunea referitoare la scoaterea sacului filtrant.)

NOTĂ: În funcție de mediul de utilizare, este posibil ca acest indicator să nu funcționeze.

NOTĂ: Indicatorul se stinge automat la aproximativ un minut după oprirea aparatului. Dacă eliminați blocajul din sacul filtrant și reporniți aparatul, indicatorul se stinge chiar și în mai puțin de un minut.

Eroare perie cu role

Illuminare intermitentă	Din anumite motive, sarcina de lucru a periei cu role este ridicată.
Aprins	Peria cu role este oprită dintr-un motiv neobișnuit.








AVERTIZARE: Dacă această lampă se aprinde în timpul funcționării, opriți imediat aparatul. În caz contrar, motorul poate să se defecteze și să provoace un incendiu.

NOTĂ: Este posibil ca lampa să lumineze intermitent dacă înălțimea periei cu role este prea mică față de suprafața covorului. În acest caz, ajustați înălțimea periei cu role.

Capacitatea rămasă a acumulatorului

În timpul funcționării, apăsați butonul pentru verificarea acumulatorului/butonul lămpii pentru a afișa capacitatea rămasă a acumulatorului.

► Fig.17

Stare indicator acumulator			Capacitatea rămasă a acumulatorului
 Pornit	 Oprit	 Iluminare intermitentă	
			între 50% și 100%
			între 20% și 50%
			între 0% și 20%
			Încărcați acumulatorul

Buton verificare acumulator/Buton lampă

Pot fi efectuate operațiile următoare.

- Apăsați pur și simplu pe butonul de pornire pentru a afișa capacitatea rămasă a acumulatorului.
- În timpul funcționării, apăsați și țineți apăsat butonul pentru a porni/opri lămpile.

Aționarea întrerupătorului

► Fig.18: 1. Buton de schimbare a modurilor 2. Buton ON/OFF (Pornire/Oprire)

Pornirea/oprirea aparatului

Apăsați butonul ON/OFF (Pornire/Oprire) pentru a porni și a opri aparatul.

ATENȚIE: Așezați întotdeauna capul aparatului pe podea atunci când porniți aparatul. În caz contrar, se poate produce un accident din cauza agățării, ceea ce poate provoca vătămări corporale.

Schimbarea modului de operare

Există următoarele trei moduri de operare:

1. Nivel de zgomot inferior
2. Normal
3. Ridicat

Pentru a schimba modul de operare, apăsați butonul de schimbare a modurilor. Modul de operare poate fi schimbat chiar și atunci când aparatul este oprit. Aparatul va porni în modul setat de dvs.

NOTĂ: Aspiratorul pornește în același mod care a fost setat pentru utilizarea anterioară. Dacă scoateți acumulatorul în timp ce motorul este în funcțiune după oprire, aspiratorul poate să nu pornească în același mod care a fost setat pentru utilizarea anterioară.

Pornirea/oprirea lămpii

ATENȚIE: Nu priviți direct în raza sau în sursa de lumină.

Aparatul este prevăzut cu lămpi.

Pentru operare, consultați paragraful privind butonul de verificare a acumulatorului/butonul lămpii.

► Fig.19: 1. Lampă

Pârghie pentru picior

ATENȚIE: Blocați întotdeauna aparatul în poziție verticală când luați mâna de pe mâner. În caz contrar, aparatul poate cădea accidental și poate provoca vătămări.

ATENȚIE: Aveți grijă să nu vă agățați degetele între corpul principal și capul aparatului.

Pentru a debloca poziția verticală a aparatului, călcați pe pârghia pentru picior și trageți mânerul înapoi. Intervalul de mișcare este de 90 de grade din poziția verticală.

► Fig.20: 1. Pârghie pentru picior

Pentru a bloca aparatul în poziție verticală, ridicați mânerul în față până când pârghia pentru picior se blochează în poziție cu un clic.

► Fig.21

ATENȚIE: Asigurați-vă că ați deblocat pârghia pentru picior înainte de operare. O manipulare neatență poate cauza deteriorarea componentelor.




► Fig.22

NOTĂ: Când aparatul este în poziție verticală, peria cu role își oprește rotația.

Reglarea înălțimii periei cu role

ATENȚIE: Asigurați-vă întotdeauna că pârghia de reglare se potrivește corect în poziție înainte de funcționare.

Înălțimea periei cu role poate fi reglată în 5 pași. Rotiți pârghia de reglare în poziția dorită consultând tabelul următor.

Reglarea poziției pârgiei	Înălțimea periei cu role
A 	Peria cu role rămâne poziționată în partea de sus față de podea, fiind potrivită pentru curățarea covoarelor cu fire lungi.
B 	Peria cu role este poziționată mai jos față de podea, fiind potrivită pentru curățarea podelelor dure și a covoarelor cu fire scurte.
C 	Peria cu role se extinde pentru a fi poziționată jos pe podea, fiind eficientă pentru curățarea în profunzime a covoarelor și pentru îndepărtarea murdăriei, a prafului și a particulelor prinse bine în fibre.

► Fig.23: 1. Pârghie de reglare

NOTĂ: Este posibil ca peria cu role să nu se rotească dacă înălțimea periei cu role este prea mică față de suprafața covorului.

Mâner de transport

Când transportați aparatul, apăsați-l doar cu roțile rotilei sau transportați-l ținând de mânerul (mănerule) de transport.

► Fig.24

ATENȚIE: Când transportați aparatul, blocați-l în poziție verticală. În caz contrar, se poate produce un accident prin cădere.

ATENȚIE: Nu transportați aparatul decât ținând de mânerul de transport. În caz contrar, se poate produce un accident prin cădere sau aparatul poate porni accidental, ceea ce poate cauza vătămări corporale.

► Fig.25

OPERAREA

ATENȚIE: Nu trageți bara mânerului de pe aparat în timpul funcționării. În caz contrar, puteți pierde controlul aparatului, ceea ce poate conduce la vătămări corporale grave.

ATENȚIE: Nu puneți mâna sau piciorul sub aparat în timpul funcționării. În caz contrar, se poate produce un accident prin blocare.

ATENȚIE: Nu utilizați aparatul atunci când iluminarea este insuficientă. Utilizarea acestuia în medii slab iluminate poate contribui la un accident neprevăzut.

Operație de curățare normală

1. Țineți mânerul, apoi deblocați poziția verticală.
2. Porniți aparatul. Curățați o podea.

► Fig.26

Utilizarea periei laterale

Peria laterală este potrivită pentru curățarea în colțul unui perete.

Dacă firele periei laterale se scurtează, duceți aparatul la centrul de service Makita pentru înlocuire.

► Fig.27: 1. Perie laterală

Operarea cu accesoriile

ATENȚIE: Continuați să țineți de mâner când utilizați accesoriile. În caz contrar, aparatul poate cădea accidental și poate provoca vătămări.

NOTĂ: Când utilizați accesoriile, blocați aparatul în poziție verticală. În caz contrar, rotirea periei cu role poate deteriora podeaua.

Utilizarea țevii din aluminiu

Țeava din aluminiu este potrivită pentru curățarea în colțurile înguste sau în locurile înalte.

► Fig.28: 1. Țeavă din aluminiu

Utilizarea furtunului

Furtunul este potrivit pentru curățarea în apropierea mâinilor dumneavoastră.

► Fig.29: 1. Furtun

Pentru a utiliza furtunul, scoateți furtunul din țeava din aluminiu în timp ce împingeți pârghia.

► Fig.30: 1. Pârghie

Pentru a monta furtunul, introduceți-l în țeava din aluminiu până se blochează cu un clic.

► Fig.31

Utilizarea accesoriilor

► Fig.32

Pentru a monta accesoriul, răsuciți-l și introduceți-l bine în țeava din aluminiu sau în furtun. Pentru deconectare, răsuciți-l și scoateți-l.

ÎNȚREȚINERE

ATENȚIE: Asigurați-vă întotdeauna că aparatul este oprit și cartușul acumulatorului este scos, înainte de a executa lucrări de inspecție sau întreținere.

NOTĂ: Nu utilizați niciodată gazolină, benzină, diluant, alcool sau alte substanțe asemănătoare. În caz contrar, pot rezulta decolorări, deformări sau fisuri.

Pentru a menține SIGURANȚA și FIABILITATEA produsului, reparațiile și orice alte lucrări de întreținere sau reglare trebuie executate de centre de service Makita autorizate sau proprii, folosind întotdeauna piese de schimb Makita.

Depozitare

La depozitare, scoateți cartușul acumulatorului și depozitați aparatul pe o suprafață plană, în poziție verticală.
► Fig.33

Curățarea corpului aparatului

Din când în când, ștergeți suprafața exterioră a aspiratorului (corpul aspiratorului) utilizând o lavetă umezită în apă cu săpun.
► Fig.34

Curățarea filtrului HEPA

ATENȚIE: Nu utilizați aspiratorul fără filtru și nu continuați utilizarea unui filtru murdar sau deteriorat. Praful sau particulele aspirate pot fi evacuate din aspirator și pot provoca boli respiratorii operatorului.

NOTĂ: Pentru a menține puterea de aspirare optimă și o evacuare curată, curățați periodic filtrul. Dacă nu se obține o putere de aspirare suficientă nici măcar după curățare, înlocuiți filtrul cu unul nou.

NOTĂ: Pentru a preveni deteriorarea filtrului, nu utilizați pentru curățarea acestuia următoarele unelte sau articole similare:

- Suflantă
- Dispozitiv de spălare cu presiune ridicată
- Unelte fabricate din materiale tari precum o perie de sârmă

1. Deschideți capacul cutiei pentru praf și scoateți sacul filtrant.

Eliberați cârligele de pe filtru și scoateți filtrul din corpul aparatului.
► Fig.35: 1. Cârlig

2. Scuturați filtrul de praf. Filtrul poate fi spălat cu apă. Clătiți praful și particulele de pe filtru la fiecare 1 sau 2 luni. După aceea, uscați complet filtrul într-o zonă întunecoasă și bine ventilată pentru a preveni mirosul neplăcut sau defecțiunile.

3. Pentru a monta filtrul, introduceți partea fără cârlige în canelură, apoi împingeți filtrul până când cârligele se fixează cu un clic.

► Fig.36: 1. Canelură 2. Filtru HEPA 3. Cârlig

Curățarea periei cu role

1. Scoateți placa din partea de jos și apoi scoateți peria cu role.

Dacă firele periei cu role se scurtează, solicitați centrului de service Makita o nouă perie.

Folosirea aparatului cu peria cu role cu fire scurte are ca rezultat o colectare insuficientă a prafului.

► Fig.37: 1. Placa din partea de jos 2. Perie cu role

2. Îndepărtați ațele și firele de păr de pe peria cu role utilizând o foarfecă.

Scoateți capacul și curățați resturile.

► Fig.38: 1. Capac

3. Montați capacul, peria cu role și placa din partea de jos în ordine inversă.

► Fig.39

ATENȚIE: Puneți ferm placa din partea de jos înapoi pe poziție până când cele două pârghii de blocare se înclichetează în poziție. Dacă aparatul este folosit fără placa din partea de jos, peria cu role se poate desprinde și poate provoca vătămări.

► Fig.40: 1. Placa din partea de jos 2. Pârghie de blocare

NOTĂ: Atașați întotdeauna peria cu role. Folosirea aparatului fără peria cu role conduce la o colectare insuficientă a prafului.

Cum să eliminați blocajele

NOTĂ: Nu folosiți aparatul cu calea pentru fluxul de admisie înfundată. Continuarea utilizării cu calea pentru fluxul de admisie înfundată are ca rezultat o putere de aspirare redusă.

1. Scoateți placa din partea de jos și apoi scoateți peria cu role.

2. Scoateți țeava din aluminiu din aparat și din furtun.

3. Rotiți furtunul în sens antiorar și apoi scoateți furtunul din aparat.

4. Scoateți furtunul de aspirație trăgând clapeta.

► Fig.41: 1. Placa din partea de jos 2. Perie cu role
3. Țeavă din aluminiu 4. Furtun 5. Furtun de aspirație 6. Clapetă

5. Inspectați calea fluxului de admisie a aerului din interiorul țevii de aluminiu și al furtunului, precum și furtunul de aspirație.

Scoateți reziduurile din interiorul lor.

6. Aliniați limba furtunului de aspirație cu canelura din carcasă și introduceți-l în locaș.

► Fig.42: 1. Limbă 2. Canelură

7. Montați furtunul, țeava din aluminiu, peria cu role și placa din partea de jos.

ATENȚIE: Montați bine țeava și furtunul. În caz contrar, pot exista evacuări de praf, care pot cauza vătămări corporale.

Sac de praf

Accesorii opționale

Sacul de praf poate fi utilizat în mod repetat dacă este curățat.

Montarea și scoaterea sacului de praf

Procedura de montare și scoatere a sacului de praf este aceeași ca pentru sacul filtrant. Vă rugăm să consultați secțiunea pentru montarea sacului filtrant și scoaterea sacului filtrant.

► **Fig.43:** 1. Sac de praf 2. Capac de cauciuc

NOTĂ: Atunci când montați sacul de praf, deschiideți mai întâi capacul de cauciuc. Introduceți sacul de praf cu capacul de cauciuc în spate.

Golirea sacului de praf

1. Închideți capacul de cauciuc pentru a împiedica praful să se ridice în aer.
 2. Deschideți gura sacului trăgând în afară dispozitivul de fixare.
 3. Goliți conținutul sacului de praf prin lovire ușoară astfel încât să eliminați particulele care aderă la interior.
- **Fig.44:** 1. Sac de praf 2. Capac de cauciuc
3. Dispozitiv de fixare

NOTĂ: Goliți sacul de praf frecvent. Prea mult praf va rupe sacul cu ușurință.

Curățarea sacului de praf

Curățați regulat sacul de praf cu apă și săpun. Întoarceți sacul de praf pe dos și îndepărtați praful lipicios. Spălați ușor cu mâna și clătiți bine cu apă. Uscați-l complet înainte de a-l monta în aspirator.

► **Fig.45**

NOTĂ: Un sac de praf umed reduce performanța de aspirare, precum și durata de funcționare a motorului.

NOTĂ: Când montați dispozitivul de fixare pe sacul de praf, asigurați-vă că gura sacului este bine închisă.

CICLON PENTRU COLECTAREA PRAFULUI

Accesorii opționale

► **Fig.46:** 1. Ciclon pentru colectarea prafului

Despre ciclonul pentru colectarea prafului

Utilizarea aspiratorului cu ciclonul pentru colectarea prafului montat reduce cantitatea de praf care ajunge în sacul filtrant, ceea ce ajută la prevenirea diminuării forței de aspirare. În plus, și curățarea după utilizare este simplă.

ATENȚIE: Înainte de a executa orice lucrări la mașină, asigurați-vă întotdeauna că mașina este oprită și cartușul acumulatorului este scos. În cazul în care cartușul acumulatorului este lăsat în aspirator, acesta ar putea porni în mod neașteptat și poate provoca vătămări.

ATENȚIE: Curățați filtrul cu găuri al ciclonului pentru colectarea prafului și sacul filtrant al unității aspiratorului atunci când se înfundă. Continuarea utilizării acestora atunci când sunt înfundate poate duce la încălzire sau la apariția emisiilor de fum.

NOTĂ: Când ciclonul pentru colectarea prafului este atașat, nu-l utilizați în poziție orizontală sau orientat în sus. În caz contrar, filtrul cu găuri se poate înfunda.

NOTĂ: Utilizați întotdeauna aspiratorul cu sacul filtrant montat, chiar și atunci când utilizați ciclonul pentru colectarea prafului. Utilizarea aspiratorului fără sacul filtrant montat poate provoca funcționarea necorespunzătoare a motorului.

NOTĂ: Înainte de utilizare, asigurați-vă că aspiratorul, ciclonul pentru colectarea prafului și țeava dreaptă sunt blocate în mod corespunzător.

NOTĂ: Goliți cutia pentru praf a ciclonului pentru colectarea prafului și sacul filtrant al aspiratorului atunci când s-a acumulat praf. Continuarea utilizării va provoca diminuarea forței de aspirare.

Montarea ciclonului pentru colectarea prafului

1. Rotiți garnitura de pe furtun spre stânga și scoateți furtunul, mânerul țevii și țeava din aluminiu din aparat.
► **Fig.47:** 1. Garnitură 2. Furtun 3. Mânerul țevii
4. Țeavă din aluminiu
2. Rotiți în sus partea laterală a opritorului de pe ciclonul pentru colectarea prafului, aliniind opritorul cu canelura de pe orificiul de aspirație. Blocați opritorul introducând ciclonul pentru colectarea prafului până se înclichează în poziție. Trageți ușor ciclonul pentru colectarea prafului pentru a vă asigura că nu se va desprinde. Montați țeava dreaptă în același mod în care ați montat ciclonul pentru colectarea prafului.
► **Fig.48:** 1. Mânerul pentru ciclonul pentru colectarea prafului 2. Orificiu de aspirație 3. Ciclon pentru colectarea prafului 4. Țeavă dreaptă pentru ciclonul pentru colectarea prafului 5. Opritor 6. Buton de blocare
3. Montați ciclonul pentru colectarea prafului pe aparat, apoi rotiți garnitura de pe furtun spre dreapta pentru a-l fixa.
► **Fig.49**

Eliminarea prafului

Când s-a acumulat praf până la linia de pe cutia de praf care indică nivelul maxim, urmați procedura de mai jos și eliminați praful.

1. Țineți bine cutia pentru praf, apăsați și țineți apăsată cele două butoane și apoi scoateți cutia pentru praf.

► **Fig.50:** 1. Linia care indică nivelul maxim 2. Cutie pentru praf 3. Buton (două locuri) 4. Filtru cu găuri

2. Eliminați praful din cutia pentru praf și îndepărtați praful și particulele care s-au prins pe suprafața filtrului cu găuri.

3. Introduceți cutia pentru praf până la capăt, până când cele două butoane se blochează cu un clic.

► **Fig.51:** 1. Cutie pentru praf 2. Buton (două locuri)

NOTĂ: Țineți ferm ciclonul pentru colectarea prafului atunci când montați cutia pentru praf.

NOTĂ: Înainte de reluarea operației, asigurați-vă că aspiratorul, ciclonul pentru colectarea prafului și țeava dreaptă sunt blocate în mod corespunzător.

NOTĂ: Indicatorul de nivel mare de praf de pe aspirator nu se va aprinde atunci când cutia pentru praf a ciclonului pentru colectarea prafului este plină.

NOTĂ: În următoarele condiții, verificați dacă s-a acumulat praf în sacul filtrant al aspiratorului sau dacă traseul aerului este înfundat. Eliminați cauzele, dacă este necesar.

- Dacă performanța de aspirare nu se îmbunătățește după ce ați îndepărtat praful din cutia pentru praf și ați curățat filtrul cu găuri.
- Dacă indicatorul de nivel mare de praf de pe aspirator luminează în continuare.

Curățarea

Când cutia de praf se murdărește sau filtrul cu găuri se înfundă, scoateți-le și spălați-le cu apă. (Pentru procedura de îndepărtare, consultați secțiunea „Eliminarea prafului”.)

Înainte de remontare și utilizare, uscați bine componentele.

► **Fig.52:** 1. Cutie pentru praf 2. Filtru cu găuri

Când filtrul cu găuri devine extrem de murdar, spălați-l urmând procedurile de mai jos.

1. Rotiți filtrul cu găuri în sens antiorar și scoateți-l când cârligele sunt deblocate.

► **Fig.53:** 1. Filtru cu găuri 2. Cârlig

2. Îndepărtați praful de pe filtrul cu găuri și spălați-l cu apă. Apoi, uscați-l bine.

3. Introduceți filtrul cu găuri în suport atunci când cârligele sunt alinate cu orificiul. Rotiți filtrul cu găuri în sens orar până când cârligele se blochează cu un clic. Asigurați-vă că filtrul cu găuri este bine fixat în poziție.

► **Fig.54:** 1. Filtru cu găuri 2. Cârlig 3. Orificiu

DEPANARE

Înainte de a solicita reparații, efectuați mai întâi propria inspecție. Dacă detectați o problemă care nu este explicată în manual, nu încercați să dezasamblați mașina. În schimb, adresați-vă Centrelor de service autorizate Makita, utilizând întotdeauna piese de schimb Makita pentru reparații.

Simptom	Cauză probabilă	Remediu
Nu funcționează	Cartușul acumulatorului este montat necorespunzător.	Montați cartușul acumulatorului în modul descris în acest manual.
	Cartușul acumulatorului este descărcat.	Încărcați cartușul acumulatorului.
	Mânerul nu este montat în mod corespunzător.	Montați bine mânerul în modul descris în acest manual.
Peria cu role nu se rotește	Aparatul este blocat în poziție verticală.	Deblocați poziția verticală a aparatului.
	Este aprins indicatorul de eroare pentru peria cu role.	Verificați dacă există blocaje în jurul periei cu role (corp, cap și îmbinare).
Putere slabă de aspirație	Este aprins indicatorul pentru nivelul mare de praf.	Înlocuiți sacul filtrant. Dacă sacul filtrant nu este plin, depliați sacul filtrant și scuturați-l pentru a elimina blocajul din acesta.
	⇒ Dacă înlocuirea sacului filtrant nu rezolvă problema...	Curățați sau înlocuiți filtrul HEPA. Verificați dacă există resturi blocate în furtun sau în țeavă.
	Sunt blocate resturi în peria cu role, iar viteza de rotație este redusă.	Verificați dacă există blocaje în jurul periei cu role (corp, cap, îmbinare).
	Înălțimea periei cu role este prea mare față de podea.	Reduceți înălțimea periei cu role.
	Firele periei cu role s-au scurtat.	Înlocuiți peria cu role. Reduceți înălțimea periei cu role.
	Aparatul funcționează în modul inferior.	Comutați la modul de operare superior.
	Peria cu role nu este montată.	Montați peria cu role.
	Țeava sau furtunul este montat în mod necorespunzător.	Montați bine țeava sau furtunul.
Zgomot de funcționare ridicat	Aparatul funcționează în modul superior.	Comutați la modul de operare inferior.
	Sunt blocate resturi în peria cu role.	Verificați dacă există blocaje în jurul periei cu role (corp, cap și îmbinare).
	Sacul filtrant este plin de praf.	Înlocuiți sacul filtrant.
	⇒ Dacă înlocuirea sacului filtrant nu rezolvă problema...	Curățați sau înlocuiți filtrul HEPA. Verificați dacă există resturi blocate în furtun sau în țeavă.
Indicatorul nivelului mare de praf luminează intermitent după o scurtă utilizare	Sacul filtrant este pliat.	Depliați intrarea sacului filtrant înainte de poziționarea sa.
Lampa nu se aprinde	Setarea lămpii este oprită.	În timpul funcționării, apăsați și țineți apăsat butonul pentru verificarea acumulatorului/butonul lămpii pentru a porni lampa.
Roata rotilor se mișcă cu greutate	Sunt blocate resturi în roata rotilor.	Curățați resturile din roata rotilor.

ACCESORII OPȚIONALE

ATENȚIE: Folosiți accesoriile sau piesele auxiliare recomandate pentru mașina dumneavoastră Makita în acest manual. Utilizarea oricăror alte accesorii sau piese auxiliare poate prezenta risc de vătămare corporală. Utilizați accesoriile și piesele auxiliare numai în scopul destinat.

- Ciclon pentru colectarea prafului
- Filtru HEPA
- Sac filtrant
- Sac de praf
- Acumulator și încărcător original Makita

NOTĂ: Unele articole din listă pot fi incluse ca accesorii standard în ambalajul de scule. Acestea pot diferi în funcție de țară.

Dacă aveți nevoie de asistență sau de mai multe detalii referitoare la aceste accesorii, adresați-vă centrului local de service Makita.

- Duză pentru colțuri
- Perie rotundă

WARNUNG

- Für Benutzer in Europa: Dieses Gerät kann von Kindern ab 8 Jahren und Personen mit verminderten körperlichen, sensorischen oder geistigen Fähigkeiten oder Mangel an Erfahrung und Kenntnissen benutzt werden, sofern sie eine Beaufsichtigung oder Anweisung bezüglich des sicheren Gebrauchs des Gerätes erhalten haben und die damit verbundenen Gefahren verstehen. Kinder dürfen nicht mit dem Gerät spielen. Reinigung und Benutzerwartung dürfen nicht von Kindern ohne Beaufsichtigung durchgeführt werden.
- Für Benutzer in außereuropäischen Gebieten: Dieses Gerät ist nicht für den Gebrauch durch Personen (einschließlich Kindern) mit verminderten körperlichen, sensorischen oder geistigen Fähigkeiten oder mangelnder Erfahrung und Kenntnissen vorgesehen, es sei denn, sie haben eine Betreuung oder Unterweisung im Gebrauch des Gerätes von einer Person erhalten, die für ihre Sicherheit verantwortlich ist.
- Kinder müssen beaufsichtigt werden, um sicherzugehen, dass sie nicht mit dem Gerät spielen.
- VORSICHT: Trennen Sie das Gerät vor der Durchführung von Wartungsarbeiten von der Stromversorgung. Führen Sie regelmäßig Wartungsarbeiten an dem Gerät durch.
- Wiederaufladbare Akkus müssen vor dem Aufladen aus dem Gerät entfernt werden.
- Um den Akku zu entfernen oder zu installieren, schieben Sie die Kartusche aus dem Werkzeug, während Sie den Knopf auf der Vorderseite der Kartusche drücken.
- Erschöpfte Akkus müssen aus dem Gerät entfernt und sicher entsorgt werden. Beachten Sie die örtlichen Vorschriften zur Entsorgung von Akkus.
- Falls das Gerät über einen längeren Zeitraum unbenutzt gelagert werden soll, sollten die Akkus entfernt werden.
- Die Anschlussklemmen dürfen nicht kurzgeschlossen werden.

Zutreffende Akkus und Ladegeräte

Akku	BL4020 / BL4025 / BL4040 / BL4040F / BL4050F / BL4080F
Ladegerät	DC40RA / DC40RB / DC40RC

- Einige der oben aufgelisteten Akkus und Ladegeräte sind je nach Ihrem Wohngebiet eventuell nicht erhältlich.

⚠️ WARNUNG: Verwenden Sie nur die oben aufgeführten Akkus und Ladegeräte. Bei Verwendung irgendwelcher anderer Akkus und Ladegeräte besteht Verletzungs- und/oder Brandgefahr.

TECHNISCHE DATEN

Modell:	VC010G
Maximales Luftvolumen ^{**}	1,8 m ³ /min
Unterdruck ^{**}	15 kPa
Kapazität	5 L
Abmessungen (L x B x H)	326 mm x 381 mm x 1.146 mm
Nennspannung	36 V - 40 V Gleichstrom
Nettogewicht	8,0 - 9,2 kg

^{**} Der Wert wird nach unserem Originalverfahren gemessen.

- Wir behalten uns vor, Änderungen der technischen Daten im Zuge der Entwicklung und des technischen Fortschritts ohne vorherige Ankündigung vorzunehmen.
- Die technischen Daten können von Land zu Land unterschiedlich sein.
- Das Gewicht schließt Zubehörteile (Rundbürste, Spitzdüse) und Akku(s) ein. Das niedrigste und höchste Kombinationsgewicht des Gerätes und der Akkus sind in der Tabelle angegeben.

Symbole

Nachfolgend werden Symbole beschrieben, die für das Gerät verwendet werden können. Machen Sie sich unbedingt vor der Benutzung mit ihrer Bedeutung vertraut.



Betriebsanleitung lesen.



Besondere Umsicht und Aufmerksamkeit erforderlich.



Ein repräsentativer Akku, der für dieses Produkt geeignet ist.



Nur für EU-Länder
Aufgrund des Vorhandenseins gefährlicher Komponenten in der Ausrüstung können Elektro- und Elektronik-Altgeräte, Akkumulatoren und Batterien sich negativ auf die Umwelt und die menschliche Gesundheit auswirken.
Entsorgen Sie Elektro- und Elektronikgeräte oder Batterien nicht mit dem Hausmüll!
In Übereinstimmung mit der Europäischen Richtlinie über Elektro- und Elektronik-Altgeräte, Akkumulatoren und Batterien, verbrauchte Akkumulatoren und Batterien sowie ihrer Anpassung an nationales Recht sollten Elektro-Altgeräte, Batterien und Akkumulatoren gemäß den Umweltschutzbestimmungen getrennt gelagert und zu einer getrennten Sammelstelle für Siedlungsabfälle geliefert werden.
Dies wird durch das am Gerät angebrachte Symbol der durchgestrichenen Abfalltonne auf Rädern angezeigt.

Vorgesehene Verwendung

Das Gerät ist für das Absaugen von Trockenstaub vorgesehen. Das Gerät eignet sich für kommerziellen Einsatz z. B. in Hotels, Schulen, Krankenhäusern, Fabriken, Läden, Büros und Mietunternehmen.

Geräusch

Typischer A-bewerteter Geräuschpegel ermittelt gemäß IEC60335-2-69:

Schalldruckpegel (L_{pA}): 70 dB (A) oder weniger
Messunsicherheit (K): 2,5 dB (A)

Der Geräuschpegel kann während des Betriebs 80 dB (A) überschreiten.

HINWEIS: Der (Die) angegebene(n) Schallemissionswert(e) wurde(n) im Einklang mit der Standardprüfmethode gemessen und kann (können) für den Vergleich zwischen Werkzeugen herangezogen werden.

HINWEIS: Der (Die) angegebene(n) Schallemissionswert(e) kann (können) auch für eine Vorbewertung des Gefährdungsgrads verwendet werden.

⚠️ WARNUNG: Einen Gehörschutz tragen.

⚠️ WARNUNG: Die Schallemission während der tatsächlichen Benutzung des Elektrowerkzeugs kann je nach der Benutzungsweise des Werkzeugs, und speziell je nach der Art des bearbeiteten Werkstücks, von dem (den) angegebenen Wert(en) abweichen.

⚠️ WARNUNG: Identifizieren Sie Sicherheitsmaßnahmen zum Schutz des Benutzers anhand einer Schätzung des Gefährdungsgrads unter den tatsächlichen Benutzungsbedingungen (unter Berücksichtigung aller Phasen des Arbeitszyklus, wie z. B. Ausschalt- und Leerlaufzeiten des Werkzeugs zusätzlich zur Betriebszeit).

Schwingungen

Schwingungsgesamtwert (Drei-Achsen-Vektorsumme) ermittelt gemäß IEC60335-2-69:

Schwingungsemission ($a_{h,M}$): 2,5 m/s^2 oder weniger
Messunsicherheit (K): 1,5 m/s^2

HINWEIS: Der (Die) angegebene(n) Vibrationsgesamtwert(e) wurde(n) im Einklang mit der Standardprüfmethode gemessen und kann (können) für den Vergleich zwischen Werkzeugen herangezogen werden.

HINWEIS: Der (Die) angegebene(n) Vibrationsgesamtwert(e) kann (können) auch für eine Vorbewertung des Gefährdungsgrads verwendet werden.

⚠️ WARNUNG: Die Vibrationsemission während der tatsächlichen Benutzung des Elektrowerkzeugs kann je nach der Benutzungsweise des Werkzeugs, und speziell je nach der Art des bearbeiteten Werkstücks, von dem (den) angegebenen Emissionswert(en) abweichen.

⚠️ WARNUNG: Identifizieren Sie Sicherheitsmaßnahmen zum Schutz des Benutzers anhand einer Schätzung des Gefährdungsgrads unter den tatsächlichen Benutzungsbedingungen (unter Berücksichtigung aller Phasen des Arbeitszyklus, wie z. B. Ausschalt- und Leerlaufzeiten des Werkzeugs zusätzlich zur Betriebszeit).

Konformitätserklärungen

Nur für europäische Länder

Die Konformitätserklärungen sind in Anhang A dieser Betriebsanleitung enthalten.

SICHERHEITSWARNUNGEN

Sicherheitswarnungen für Akku-Sauggerät

⚠️ WARNUNG: WICHTIG! Alle Sicherheitswarnungen und Anweisungen **VOR GEBRAUCH AUFMERKSAM LESEN**. Eine Missachtung der Warnungen und Anweisungen kann zu einem elektrischen Schlag, Brand und/oder schweren Verletzungen führen.

1. Stellen Sie vor dem Gebrauch sicher, dass dieses Sauggerät nur von Personen benutzt wird, die im Gebrauch dieses Sauggerätes hinreichend unterrichtet worden sind.
2. Benutzen Sie das Gerät nicht ohne angebrachten Filterbeutel und/oder Filter. Ersetzen Sie einen beschädigten Filter unverzüglich.
3. **UNBEABSICHTIGTES EINSCHALTEN VERMEIDEN.** Vergewissern Sie sich, dass der Schalter ausgeschaltet ist, wenn Sie einen oder mehrere Akku(s) einsetzen.
4. Versuchen Sie nicht, brennbare Materialien, Feuerwerk, brennende Zigaretten, heiße Asche, heiße Metallspäne, scharfe Gegenstände, wie etwa Rasierklingen, Nadeln, Glasscherben oder dergleichen aufzusaugen.
5. **BENUTZEN SIE DAS SAUGGERÄT NIEMALS IN DER NÄHE VON BENZIN, GAS, LACK, KLEBSTOFFEN ODER ANDEREN HOCH EXPLOSIVEN SUBSTANZEN.** Der Schalter erzeugt Funken beim Ein- und Ausschalten. Ebenso der Motorkollektor während des Betriebs. Es kann zu einer gefährlichen Explosion kommen.
6. Dieser Sauger ist nicht zum Aufsaugen giftigen Staubs geeignet.
7. Saugen Sie niemals giftige, krebserregende, brennbare oder andere Gefahrstoffe wie Asbest, Arsen, Barium, Beryllium, Blei, Pestizide oder sonstige gesundheitsgefährdende Materialien auf.
8. Schaum wie von Teppichreinigungsmitteln usw. darf nicht aufgesaugt werden. Anderenfalls besteht Explosions- oder Brandgefahr.
9. Benutzen Sie das Gerät nicht im Freien oder auf nassen Oberflächen.
10. Für Finnland: Diese Maschine darf nicht im Freien bei niedrigen Temperaturen benutzt werden.
11. Benutzen Sie das Gerät nicht in der Nähe von Wärmequellen (Öfen usw.).
12. Blockieren Sie nicht den Saugeinlass/den Gebläseauslass/die Kühlluftöffnungen. Diese Öffnungen gestatten eine Kühlung des Motors. Blockierung ist sorgfältig zu vermeiden, weil sonst der Motor wegen mangelnder Belüftung überhitzt.
13. Vermeiden Sie Knicken, Ziehen oder Zertreten des Schlauchs.
14. Stellen Sie das Sauggerät sofort ab, wenn Sie während des Betriebs eine Leistungsverschlechterung oder etwas Ungewöhnliches bemerken.
15. **AKKU(S) ENTNEHMEN.** Bei Nichtgebrauch, vor der Wartung und beim Wechseln von Zubehör.
16. Reinigen und warten Sie den Staubsauger sofort nach jedem Gebrauch, um ihn in optimalem Betriebszustand zu halten.
17. **SAUGGERÄT SORGFÄLTIG WARTEN.** Halten Sie das Sauggerät für bessere und sicherere Leistung sauber. Befolgen Sie die Anweisungen zum Auswechseln von Zubehör. Halten Sie die Handgriffe trocken, sauber und frei von Öl und Fett.
18. **GERÄT AUF BESCHÄDIGTE TEILE ÜBERPRÜFEN.** Bevor Sie das Sauggerät weiter benutzen, sollten Sie beschädigte Schutzvorrichtungen und Teile sorgfältig auf ihre Betriebsfähigkeit und Funktionstüchtigkeit hin überprüfen. Überprüfen Sie das Gerät auf Ausrichtung und Klemmen beweglicher Teile, Beschädigung von Teilen, Befestigungszustand und sonstige Mängel von Teilen, die seinen Betrieb beeinträchtigen können. Beschädigte Schutzvorrichtungen oder Teile sollten von einem autorisierten Service-Center ordnungsgemäß repariert oder ausgewechselt werden, wenn nicht anders in dieser Bedienungsanleitung angegeben. Lassen Sie defekte Schalter von einem autorisierten Service-Center auswechseln. Benutzen Sie das Sauggerät nicht, wenn es sich nicht mit dem Schalter ein- und ausschalten lässt.
19. **ERSATZTEILE.** Verwenden Sie bei der Wartung nur identische Ersatzteile.
20. Wenn Sie den Staubsauger nicht verwenden, bewahren Sie ihn immer in einem geschlossenen Raum auf.
21. Behandeln Sie Ihr Sauggerät mit Sorgfalt. Grobe Behandlung kann eine Beschädigung des Sauggerätes verursachen, selbst wenn es noch so robust gebaut ist.
22. Versuchen Sie nicht, die Außen- oder Innenseite mit Waschbenzin, Verdünnern oder Reinigungschemikalien zu reinigen. Dadurch können Risse und Verfärbung verursacht werden.
23. Benutzen Sie das Sauggerät nicht in einem geschlossenen Raum, wo brennbare, explosive oder giftige Dämpfe von Lack auf Ölbasis, Lackverdünner, Benzin, bestimmten Mottenschutzmitteln usw. abgegeben werden, oder in Bereichen, wo brennbarer Staub vorhanden ist.
24. **Betreiben Sie weder dieses noch andere Werkzeuge unter dem Einfluss von Medikamenten oder Alkohol.**
25. Tragen Sie abhängig von der Benutzungsumgebung entsprechende Schutzausrüstung, wie z. B. eine Maske.
26. Diese Maschine sollte nicht von Personen (einschließlich Kindern) mit reduzierten körperlichen, sensorischen oder geistigen Fähigkeiten oder mangelnder Erfahrung und Kenntnis benutzt werden.
27. Kinder sollten beaufsichtigt werden, um sicherzugehen, dass sie nicht mit dem Sauggerät spielen.
28. Fassen Sie Akku(s) und den Staubsauger niemals mit nassen Händen an.

29. Lassen Sie bei der Reinigung auf Treppen äußerste Vorsicht walten.
30. Verwenden Sie den Staubsauger nicht auf unstabilen oder schrägen Oberflächen, da er herunterfallen und Verletzungen oder Schäden verursachen könnte.
31. Achten Sie bei der Arbeit stets auf sicheren Stand.
32. Benutzen Sie das Sauggerät nicht als Hocker oder Werkbank. Anderenfalls kann die Maschine herunterfallen und Personenschäden verursachen.
33. Halten Sie alle Körperteile und Kleidungsstücke von den Öffnungen und beweglichen Teilen, wie z. B. der rotierenden Bürstenrolle, fern. Anderenfalls können sie sich im Gerät verfangen und Verletzungen verursachen.

Gebrauch und Pflege von Akkuwerkzeugen

1. Laden Sie den Akku nur mit dem vom Hersteller vorgeschriebenen Ladegerät. Ein Ladegerät, das für einen Akkutyp geeignet ist, kann eine Brandgefahr darstellen, wenn es mit einem anderen Akku verwendet wird.
2. Benutzen Sie Elektrowerkzeuge nur mit den ausdrücklich vorgeschriebenen Akkus. Bei Verwendung irgendwelcher anderer Akkus besteht Verletzungs- und Brandgefahr.
3. Halten Sie den Akku bei Nichtgebrauch von anderen Metallgegenständen, wie z. B. Büroklammern, Münzen, Schlüsseln, Nägeln, Schrauben oder anderen kleinen Metallgegenständen, fern, welche die Kontakte kurzschließen können. Kurzschließen der Akkukontakte kann Verbrennungen oder einen Brand verursachen.
4. Bei Missbrauch kann Flüssigkeit aus dem Akku austreten. Vermeiden Sie Kontakt mit dieser Flüssigkeit. Falls Sie versehentlich mit der Flüssigkeit in Berührung kommen, spülen Sie die betroffenen Stellen mit Wasser ab. Falls die Flüssigkeit in die Augen gelangt, suchen Sie zusätzlich ärztliche Hilfe auf. Die vom Akku austretende Flüssigkeit kann Hautreizungen oder Verätzungen verursachen.
5. Verwenden Sie keinen Akku und auch kein Werkzeug, der (das) beschädigt oder modifiziert ist. Beschädigte oder modifizierte Akkus können unvorhersehbares Verhalten zeigen, das zu einem Brand, einer Explosion oder Verletzungsgefahr führen kann.
6. Setzen Sie einen Akku oder ein Werkzeug nicht Feuer oder übermäßigen Temperaturen aus. Bei Einwirkung von Feuer oder Temperaturen über 130 °C kann es zu einer Explosion kommen.
7. Befolgen Sie alle Ladeanweisungen, und laden Sie den Akku bzw. das Werkzeug nicht außerhalb des in den Anweisungen angegebenen Temperaturbereichs. Wird der Ladevorgang unsachgemäß oder bei Temperaturen außerhalb des angegebenen Bereichs durchgeführt, kann es zu einer Beschädigung des Akkus und erhöhter Brandgefahr kommen.

DIESE ANWEISUNGEN AUFBEWAHREN.

⚠️ WARNUNG: Lassen Sie sich NICHT durch Bequemlichkeit oder Vertrautheit mit dem Produkt (durch wiederholten Gebrauch erworben) von der strikten Einhaltung der Sicherheitsregeln für das vorliegende Produkt abhalten. MISSBRAUCH oder Missachtung der Sicherheitsvorschriften in dieser Anleitung können schwere Verletzungen verursachen.

Wichtige Sicherheitsanweisungen für Akku

1. Lesen Sie vor der Benutzung des Akkus alle Anweisungen und Warnhinweise, die an (1) Ladegerät, (2) Akku und (3) Akkuwerkzeug angebracht sind.
2. Unterlassen Sie Zerlegen oder Manipulieren des Akkus. Es kann sonst zu einem Brand, übermäßiger Hitzeentwicklung oder einer Explosion kommen.
3. Falls die Betriebszeit beträchtlich kürzer geworden ist, stellen Sie den Betrieb sofort ein. Anderenfalls besteht die Gefahr von Überhitzung, möglichen Verbrennungen und sogar einer Explosion.
4. Falls Elektrolyt in Ihre Augen gelangt, waschen Sie sie mit sauberem Wasser aus, und begeben Sie sich unverzüglich in ärztliche Behandlung. Anderenfalls können Sie Ihre Sehkraft verlieren.
5. Der Akku darf nicht kurzgeschlossen werden:
 - (1) Die Kontakte dürfen nicht mit leitfähigem Material berührt werden.
 - (2) Lagern Sie den Akku nicht in einem Behälter zusammen mit anderen Metallgegenständen, wie z. B. Nägel, Münzen usw.
 - (3) Setzen Sie den Akku weder Wasser noch Regen aus.

Ein Kurzschluss des Akkus verursacht starken Stromfluss, der Überhitzung, mögliche Verbrennungen und einen Defekt zur Folge haben kann.

6. Lagern und benutzen Sie das Werkzeug und den Akku nicht an Orten, an denen die Temperatur 50 °C erreichen oder überschreiten kann.
7. Versuchen Sie niemals, den Akku zu verbrennen, selbst wenn er stark beschädigt oder vollkommen verbraucht ist. Der Akku kann im Feuer explodieren.
8. Unterlassen Sie Nageln, Schneiden, Zerquetschen, Werfen, Fallenlassen des Akkus oder Schlagen des Akkus mit einem harten Gegenstand. Eine solche Handlung kann zu einem Brand, übermäßiger Hitzeentwicklung oder einer Explosion führen.
9. Benutzen Sie keine beschädigten Akkus.
10. Die enthaltenen Lithium-Ionen-Akkus unterliegen den Anforderungen der Gefahrgut-Gesetzgebung.

Für kommerzielle Transporte, z. B. durch Dritte oder Spediteure, müssen besondere Anforderungen zu Verpackung und Etikettierung beachtet werden.

Zur Vorbereitung des zu transportierenden Artikels ist eine Beratung durch einen Experten für Gefahrengut erforderlich. Bitte beachten Sie möglicherweise ausführlichere nationale Vorschriften. Überkleben oder verdecken Sie offene Kontakte, und verpacken Sie den Akku so, dass er sich in der Verpackung nicht umher bewegen kann.

11. **Entfernen Sie den Akku zum Entsorgen vom Werkzeug, und entsorgen Sie ihn an einem sicheren Ort. Befolgen Sie die örtlichen Vorschriften bezüglich der Entsorgung von Akkus.**
12. **Verwenden Sie die Akkus nur mit den von Makita angegebenen Produkten.** Das Einsetzen der Akkus in nicht konforme Produkte kann zu einem Brand, übermäßiger Hitzebildung, einer Explosion oder Auslaufen von Elektrolyt führen.
13. **Soll das Werkzeug längere Zeit nicht benutzt werden, muss der Akku vom Werkzeug entfernt werden.**
14. **Bei und nach dem Gebrauch kann der Akku heiß werden, was Verbrennungen oder Niedertemperaturverbrennungen verursachen kann. Beachten Sie die Handhabung von heißen Akkus.**
15. **Berühren Sie nicht den Anschlusskontakt des Werkzeugs unmittelbar nach dem Gebrauch, da er heiß genug werden kann, um Verbrennungen zu verursachen.**
16. **Achten Sie darauf, dass sich keine Späne, Staub oder Schmutz in den Anschlusskontakten, Löchern und Nuten des Akkus absetzen.** Es könnte sonst zu Erhitzung, Brandauslösung, Bersten und Funktionsstörungen des Werkzeugs oder des Akkus kommen, was zu Verbrennungen oder Personenschäden führen kann.

17. **Wenn das Werkzeug den Einsatz in der Nähe einer Hochspannungs-Stromleitung nicht unterstützt, benutzen Sie den Akku nicht in der Nähe einer Hochspannungs-Stromleitung.** Dies kann zu einer Funktionsstörung oder Betriebsstörung des Werkzeugs oder des Akkus führen.
18. **Halten Sie die Batterie von Kindern fern.**

DIESE ANWEISUNGEN AUFBEWAHREN.

⚠ VORSICHT: Verwenden Sie nur **Original-Makita-Akkus**. Die Verwendung von Nicht-Original-Makita-Akkus oder von Akkus, die abgeändert worden sind, kann zum Bersten des Akkus und daraus resultierenden Bränden, Personenschäden und Beschädigung führen. Außerdem wird dadurch die Makita-Garantie für das Makita-Werkzeug und -Ladegerät ungültig.

Hinweise zur Aufrechterhaltung der maximalen Akku-Nutzungsdauer

1. **Laden Sie den Akku, bevor er vollkommen erschöpft ist. Schalten Sie das Werkzeug stets aus, und laden Sie den Akku, wenn Sie ein Nachlassen der Werkzeugleistung feststellen.**
2. **Unterlassen Sie erneutes Laden eines voll aufgeladenen Akkus. Überladen führt zu einer Verkürzung der Nutzungsdauer des Akkus.**
3. **Laden Sie den Akku bei Raumtemperatur zwischen 10 – 40 °C. Lassen Sie einen heißen Akku abkühlen, bevor Sie ihn laden.**
4. **Wenn Sie den Akku nicht benutzen, nehmen Sie ihn vom Werkzeug oder Ladegerät ab.**
5. **Der Akku muss geladen werden, wenn er lange Zeit (länger als sechs Monate) nicht benutzt wird.**

BEZEICHNUNG DER TEILE

► Abb.1

1	Handgriff	2	Schalterplatte	3	Rohrgriff	4	Schlauch
5	Anzeigetafel	6	Hebel (für Staubboxdeckel)	7	Staubboxdeckel	8	Tragegriff
9	Akku	10	Einstellhebel	11	Spitzdüse	12	Rundbürste
13	Fußhebel	14	Laufgrad	15	Seitenbürste	16	Saugschlauch
17	Verbindungsstück	18	Aluminiumrohr	19	Rohrhalter	20	Lampe
21	Bürstenrolle	22	Bodenplatte	23	Betriebsartumschalttaste	24	Ein-/Aus-Taste
25	Betriebsartanzeige	26	Staubfüllstand-Warnanzeige	27	Bürstenrollen-Fehleranzeige	28	Akku-Restkapazitätsanzeige
29	Akkukontroll-/Lampentaste	-	-	-	-	-	-

MONTAGE

⚠ VORSICHT: Vergewissern Sie sich vor der Ausführung von Arbeiten am Gerät stets, dass das Gerät ausgeschaltet und der Akku abgenommen ist.

⚠ VORSICHT: Tragen Sie während der Montage oder Wartung immer eine Staubmaske.

Griffanschluss

1. Führen Sie die Griffstange vollständig in den Staubsauger-Hauptteil ein, wie in der Abbildung gezeigt.
2. Schließen Sie den Sperrriegel.
► **Abb.2:** 1. Griffstange 2. Rote Markierung 3. Sperrriegel

ANMERKUNG: Führen Sie den Griff vollständig ein, bis die rote Markierung nicht mehr sichtbar ist.

Schlauchanschluss

Führen Sie den Schlauch in die Montageöffnung des Gerätes ein, und drehen Sie ihn, bis er einrastet.

► **Abb.3:** 1. Montageöffnung

Rohranschluss

Führen Sie das Ende des Aluminiumrohrs in das Verbindungsstück ein, und befestigen Sie dann das Aluminiumrohr am Rohrhalter.

► **Abb.4:** 1. Verbindungsstück 2. Rohrhalter

ANMERKUNG: Führen Sie das Aluminiumrohr in der korrekten Richtung ein, wie in der Abbildung gezeigt. Anderenfalls lässt sich der Rohrhalter nicht verriegeln, und das Aluminiumrohr kann sich lösen.

► **Abb.5**

Anbringen und Abnehmen des Akkus

⚠ VORSICHT: Schalten Sie stets das Gerät aus, bevor Sie den Akku anbringen oder abnehmen.

⚠ VORSICHT: Halten Sie den Staubsauger und den Akku beim Anbringen oder Abnehmen des Akkus sicher fest. Wenn Sie den Staubsauger und den Akku nicht sicher festhalten, können sie Ihnen aus der Hand rutschen, was zu einer Beschädigung des Staubsaugers und des Akkus und zu Verletzungen führen kann.

⚠ VORSICHT: Achten Sie beim Anbringen des Akkus darauf, sich nicht die Finger einzuklemmen. Anderenfalls kann es zu einer Verletzung kommen.

⚠ VORSICHT: Unterlassen Sie das Anbringen und Abnehmen des Akkus mit nassen Händen. Anderenfalls kann es zu einem elektrischen Schlag kommen.

Richten Sie die Führungsfeder des Akkus auf die Führungsnut im Gehäuse aus, und schieben Sie den Akku hinein. Schieben Sie ihn vollständig ein, bis er mit einem hörbaren Klicken einrastet.

► **Abb.6:** 1. Akku 2. Knopf

Ziehen Sie den Akku zum Abnehmen vom Gerät ab, während Sie den Knopf an der Vorderseite des Akkus nach oben schieben.

⚠ VORSICHT: Setzen Sie den Akku immer vollständig ein. Anderenfalls kann er versehentlich aus dem Gerät herausfallen und Sie oder umstehende Personen verletzen.

⚠ VORSICHT: Unterlassen Sie Gewaltanwendung beim Anbringen des Akkus. Falls der Akku nicht reibungslos hineingleitet, ist er nicht richtig ausgerichtet.

Installieren des Filterbeutels

⚠ VORSICHT: Verwenden Sie keinen beschädigten Filterbeutel. Verwenden Sie das Sauggerät stets mit ordnungsgemäß montiertem Filterbeutel. Anderenfalls können aufgesaugter Staub oder Partikel vom Sauggerät entweichen und die Atemwege des Bedieners angreifen.

Installieren Sie den Filterbeutel vor Gebrauch des Staubsaugers.

Der Filterbeutel ist ein Wegwerfartikel. Werfen Sie den ganzen Filterbeutel weg, ohne ihn zu entleeren, wenn er voll geworden ist.

ANMERKUNG: Wenn der Filterbeutel bereits voll oder zugesetzt ist, tauschen Sie ihn gegen einen neuen aus. Fortgesetzter Gebrauch mit vollem oder zugesetztem Filterbeutel führt zu reduzierter Saugkraft.

ANMERKUNG: Um Eindringen von Staub in den Motor zu verhindern:

- Vergewissern Sie sich vor Gebrauch stets, dass der Filterbeutel eingesetzt ist.
- Verwenden Sie keinen beschädigten oder zerrissenen Beutel.

Anderenfalls kann der Motor beschädigt werden.

ANMERKUNG: Unterlassen Sie Falten des Kartons an seiner Öffnung, wenn Sie den Filterbeutel einsetzen.

ANMERKUNG: Der Filterbeutel für den Staubsauger ist ein wichtiges Teil zur Aufrechterhaltung der Geräteleistung. Die Verwendung eines nicht originalen Filterbeutels kann Rauchbildung oder Entflammung verursachen.

HINWEIS: Wenn der Filterbeutel nicht im Gerät eingesetzt ist, lässt sich der Staubboxdeckel nicht vollständig schließen.


HINWEIS: Ein wiederverwendbarer Staubsack ist in bestimmten Ländern und Regionen vorinstalliert. Dieser kann auf gleiche Weise wie der Filterbeutel installiert und entfernt werden.

1. Entriegeln Sie den Hebel, und öffnen Sie den Staubboxdeckel.

► **Abb.7:** 1. Hebel 2. Staubboxdeckel

2. Entfalten Sie den Filterbeutel vollständig.

► **Abb.8**

3. Öffnen Sie die Klinke, und führen Sie den Filterbeutel so in den Schlitz am Halter ein, dass die Seite mit der Markierung  zuerst eintritt.

► **Abb.9:** 1. Klinke 2. Schlitz 3. Filterbeutel 4. Halter

► **Abb.10:** 1. Markierung 2. Schlitz

HINWEIS: Vergewissern Sie sich, dass nur die Markierung auf dem Karton durch den Schlitz des Halters sichtbar ist.

4. Haken Sie die Klinke des Halters ein.

► **Abb.11:** 1. Klinke

5. Entfalten Sie den Filterbeutel, falls er zusammengefaltet ist.

► **Abb.12**

6. Verriegeln Sie den Staubboxdeckel sicher.

⚠VORSICHT: Achten Sie beim Einhaken der Klinke und beim Schließen des Staubboxdeckels darauf, dass Sie Ihre Finger nicht einklemmen.

Entfernen des Filterbeutels

⚠VORSICHT: Behandeln Sie den Filterbeutel **sachte**. Falls Fremdkörper in die Augen geblasen werden, kann dies zu Personenschäden führen.

Tauschen Sie den Filterbeutel aus, wenn er voll oder zugesetzt wird.

Öffnen Sie den Staubboxdeckel, entriegeln Sie die Klinke, und nehmen Sie dann den Filterbeutel heraus.

► **Abb.13:** 1. Klinke

Ziehen Sie den Streifen an der Seite der Öffnung, um den Filterbeutel zu verschließen, und entsorgen Sie den gesamten Filterbeutel.

► **Abb.14:** 1. Streifen

ANMERKUNG: Der Filterbeutel darf nicht wiederverwendet werden. Der Filterbeutel ist für einmaligen Gebrauch bestimmt. Wiederholter Gebrauch des Filterbeutels kann eine Verstopfung des Filters verursachen und zu einer Beschädigung des Geräts führen.

FUNKTIONSBESCHREIBUNG

⚠VORSICHT: Vergewissern Sie sich vor der Durchführung von Einstellungen oder Funktionsprüfungen des Gerätes stets, dass das Gerät ausgeschaltet und der Akku abgenommen ist.

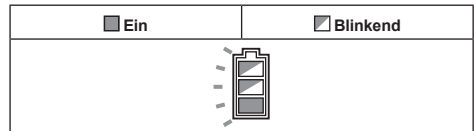
Geräte-/Akku-Schutzsystem

Das Gerät ist mit einem Geräte-/Akku-Schutzsystem ausgestattet. Dieses System schaltet die Stromversorgung des Motors automatisch ab, um die Lebensdauer von Gerät und Akku zu verlängern. Das Gerät bleibt während des Betriebs automatisch stehen, wenn das Gerät oder der Akku einer der folgenden Bedingungen unterliegt:

Überlastschutz

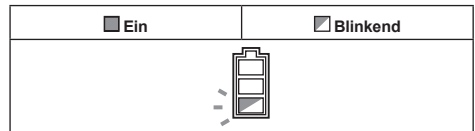
Wird das Gerät in einer Weise betrieben, die eine ungewöhnlich hohe Stromaufnahme bewirkt, bleibt das Gerät automatisch stehen. Schalten Sie in dieser Situation das Gerät aus, und brechen Sie die Anwendung ab, die eine Überlastung des Geräts verursacht hat. Schalten Sie dann das Gerät wieder ein, um es neu zu starten.

Überhitzungsschutz



Wenn das Gerät überhitzt wird, bleibt es automatisch stehen, und die Akku-Anzeige blinkt etwa 60 Sekunden lang. Lassen Sie das Gerät in dieser Situation abkühlen, bevor Sie es wieder einschalten.

Überentladungsschutz



Wenn die Akkukapazität niedrig wird, bleibt das Gerät automatisch stehen, und die Akku-Anzeige blinkt etwa 60 Sekunden lang. Falls das Produkt trotz Betätigung der Schalter nicht funktioniert, entfernen Sie den Akku vom Gerät, und laden Sie ihn auf.

Anzeigen der Akku-Restkapazität

Drücken Sie die Prüftaste am Akku, um die Akku-Restkapazität anzuzeigen. Die Anzeigelampen leuchten wenige Sekunden lang auf.

► **Abb.15:** 1. Anzeigelampen 2. Prüftaste

Anzeigelampen			Restkapazität
Erleuchtet	Aus	Blinkend	
			75% bis 100%
			50% bis 75%
			25% bis 50%
			0% bis 25%
			Den Akku aufladen.
			Möglicherweise liegt eine Funktionsstörung im Akku vor.

HINWEIS: Abhängig von den Benutzungsbedingungen und der Umgebungstemperatur kann die Anzeige geringfügig von der tatsächlichen Kapazität abweichen.

HINWEIS: Die erste (äußerste linke) Anzeigelampe blinkt, wenn das Akku-Schutzsystem aktiv ist.

Anzeigetafel

► **Abb.16:** 1. Betriebsart 2. Staubfüllstandwarnung 3. Bürstenrollenfehler 4. Akku-Restkapazität 5. Akkukontroll-/Lampentaste

Betriebsart

Angaben zum Wechseln der Betriebsart finden Sie im Abschnitt für die Schalterfunktion.

Staubfüllstandwarnung

Wenn diese Anzeige aufleuchtet, ist es an der Zeit, den Filterbeutel auszutauschen. (Siehe den Abschnitt zum Entfernen des Filterbeutels.)

HINWEIS: Diese Anzeige funktioniert je nach Benutzungsumgebung eventuell nicht.

HINWEIS: Die Anzeige erlischt ungefähr eine Minute nach dem Ausschalten des Gerätes automatisch. Wenn Sie die Verstopfung des Filterbeutels beseitigen und das Gerät wieder starten, erlischt die Anzeige sogar innerhalb einer Minute.

Bürstenrollenfehler

Blinken	Die Bürstenrolle unterliegt aus irgendwelchen Gründen hoher Belastung.
Ein	Die Bürstenrolle wird aus einem ungewöhnlichen Grund gestoppt.

⚠️ WARNUNG: Schalten Sie das Gerät sofort aus, wenn diese Lampe während des Betriebs aufleuchtet. Anderenfalls kann eine Funktionsstörung des Motors auftreten, die einen Brand verursachen könnte.

HINWEIS: Die Lampe kann blinken, wenn die Bürstenrolle zu tief über der Teppichoberfläche eingestellt ist. Justieren Sie in diesem Fall die Höhe der Bürstenrolle.

Akku-Restkapazität

Drücken Sie während des Betriebs die Akkukontroll-/Lampentaste, um die Akku-Restkapazität anzuzeigen.

► **Abb.17**

Status der Akku-Anzeige			Akku-Restkapazität
Ein	Aus	Blinkend	
			50% bis 100%
			20% bis 50%
			0% bis 20%
			Akku aufladen

Akkukontroll-/Lampentaste

Die folgenden Vorgänge können durchgeführt werden.

- Drücken Sie einfach die Taste, um die Akku-Restkapazität zu überprüfen.
- Halten Sie während des Betriebs die Taste gedrückt, um die Lampen ein- und auszuschalten.

Schalterfunktion

- **Abb.18:** 1. Betriebsartumschalttaste 2. Ein-/Aus-Taste

Ein- und Ausschalten des Geräts

Drücken Sie die Ein-/Aus-Taste, um das Gerät ein- und auszuschalten.

⚠ VORSICHT: Setzen Sie immer den Kopf des Gerätes auf den Boden, wenn Sie das Gerät einschalten. Anderenfalls kann ein Unfall durch Verfangen auftreten und Personenschäden verursachen.

Wechseln der Betriebsart

Die drei folgenden Betriebsarten sind vorhanden:

1. Niedriger Geräuschpegel
2. Normal
3. Hoch

Drücken Sie die Betriebsartumschalttaste, um die Betriebsart umzuschalten. Die Betriebsart kann auch bei ausgeschaltetem Gerät umgeschaltet werden. Das Gerät startet in der jeweils eingestellten Betriebsart.

HINWEIS: Der Staubsauger startet in derselben Betriebsart wie beim letzten Vorgang. Wenn Sie den Akku entfernen, während der Motor nach dem Abschalten läuft, startet der Staubsauger eventuell nicht in derselben Betriebsart wie beim letzten Vorgang.

Ein- und Ausschalten der Lampe

⚠ VORSICHT: Blicken Sie nicht direkt in die Lampe oder die Lichtquelle.

Das Gerät ist mit Lampen ausgestattet. Angaben zum Betrieb finden Sie im Abschnitt der Akkukontroll-/Lampentaste.

- **Abb.19:** 1. Lampe

Fußhebel

⚠ VORSICHT: Verriegeln Sie das Gerät immer in der Aufrechtstellung, wenn Sie den Handgriff loslassen. Anderenfalls kann das Gerät versehentlich umkippen und Verletzungen verursachen.

⚠ VORSICHT: Achten Sie darauf, dass Sie Ihre Finger nicht zwischen Hauptteil und Kopf des Gerätes einklemmen.

Um das Gerät aus der Aufrechtstellung zu entriegeln, treten Sie auf den Fußhebel, und ziehen Sie den Handgriff nach hinten.

Der Bewegungsbereich beträgt 90 Grad von der Aufrechtstellung.

- **Abb.20:** 1. Fußhebel

Um das Gerät in der Aufrechtstellung zu verriegeln, heben Sie den Handgriff nach vorn an, bis der Fußhebel mit einem Klicken einrastet.

- **Abb.21**

⚠ VORSICHT: Achten Sie vor dem Betrieb unbedingt darauf, den Fußhebel zu entriegeln. Eine grobe Handhabung des Geräts kann eine Beschädigung von Teilen verursachen.

- **Abb.22**




HINWEIS: Solange sich das Gerät in der Aufrechtstellung befindet, dreht sich die Bürstenrolle nicht.

Einstellen der Höhe der Bürstenrolle

⚠ VORSICHT: Vergewissern Sie sich vor dem Betrieb stets, dass sich der Einstellhebel in der korrekten Position befindet.

Die Höhe der Bürstenrolle kann in 5 Stufen eingestellt werden.

Drehen Sie den Einstellhebel unter Bezugnahme auf die folgende Tabelle in die gewünschte Position.

Position des Einstellhebels	Höhe der Bürstenrolle
A 	Die Bürstenrolle bleibt auf ihrer höchsten Position über dem Fußboden, die zum Reinigen von langfaserigen Teppichen geeignet ist.
B 	Die Bürstenrolle ist niedriger über dem Fußboden positioniert, was zum Reinigen von Hartböden und kurzfasrigen Teppichen geeignet ist.
C 	Die Bürstenrolle wird bis ganz auf den Fußboden ausgefahren, was bei einer Tiefreinigung von Teppichen wirksam ist, weil Schmutz, Staub und Partikel entfernt werden, die tief in den Fasern stecken.

- **Abb.23:** 1. Einstellhebel

HINWEIS: Wenn die Bürstenrolle zu niedrig über der Teppichoberfläche eingestellt ist, dreht sie sich eventuell nicht.

Tragegriff

Wenn Sie das Gerät transportieren, schieben Sie es nur auf den Laufrädern, oder tragen Sie es durch Halten des Tragegriffs (der Tragegriffe).

- **Abb.24**

⚠ VORSICHT: Verriegeln Sie das Gerät zum Tragen in der Aufrechtstellung. Anderenfalls kann ein Unfall durch Herunterfallen auftreten.

⚠ VORSICHT: Tragen Sie das Gerät nur am Tragegriff. Anderenfalls kann ein Unfall durch Herunterfallen auftreten, oder unbeabsichtigtes Starten kann eine Verletzung verursachen.

- **Abb.25**

BETRIEB

⚠ VORSICHT: Ziehen Sie nicht die Griffstange während des Betriebs aus dem Gerät heraus. Anderenfalls können Sie die Kontrolle über das Gerät verlieren, was zu ernsthaften Verletzungen führen kann.

⚠ VORSICHT: Halten Sie während des Betriebs nicht Ihre Hände oder Beine unter das Gerät. Anderenfalls kann ein Unfall durch Einklemmen auftreten.

⚠ VORSICHT: Verwenden Sie das Gerät nicht bei unzureichender Beleuchtung. Beim Arbeiten unter schwacher Beleuchtung kann es zu unvorhergesehenen Unfällen kommen.

Normaler Saugbetrieb

1. Halten Sie den Handgriff, und entriegeln Sie dann das Gerät aus der Aufrechtstellung.
 2. Schalten Sie das Gerät ein. Saugen Sie einen Fußboden.
- **Abb.26**

Verwendung der Seitenbürste

Die Seitenbürste ist praktisch zum Saugen der Ecke einer Wand. Wenn die Seitenbürste kurz wird, lassen Sie sie von einer Makita-Kundendienststelle ersetzen.

► **Abb.27:** 1. Seitenbürste

Betrieb mit Zubehör

⚠ VORSICHT: Halten Sie den Handgriff fest, wenn Sie Zubehör benutzen. Anderenfalls kann das Gerät versehentlich umkippen und Verletzungen verursachen.

ANMERKUNG: Wenn Sie Zubehör verwenden, verriegeln Sie das Gerät in der Aufrechtstellung. Anderenfalls kann die Drehung der Bürstenrolle den Fußboden beschädigen.

Verwendung des Aluminiumrohrs

Das Aluminiumrohr eignet sich zum Saugen von engen oder hochgelegenen Stellen.

► **Abb.28:** 1. Aluminiumrohr

Verwendung des Schlauchs

Der Schlauch eignet sich zum Saugen in der Nähe Ihrer Hände.

► **Abb.29:** 1. Schlauch

Um den Schlauch zu benutzen, ziehen Sie den Schlauch aus dem Aluminiumrohr, während Sie den Hebel drücken.

► **Abb.30:** 1. Hebel

Um den Schlauch zu installieren, führen Sie den Schlauch in das Aluminiumrohr ein, bis er einrastet.

► **Abb.31**

Verwendung der Anbaugeräte

► **Abb.32**

Zum Installieren eines Anbaugerätes schieben Sie es bei gleichzeitigem Drehen auf das Aluminiumrohr oder den Schlauch. Zum Trennen ziehen Sie ihn bei gleichzeitigem Drehen heraus.

WARTUNG

⚠ VORSICHT: Vergewissern Sie sich vor der Durchführung von Inspektions- oder Wartungsarbeiten stets, dass das Gerät ausgeschaltet und der Akku abgenommen ist.

ANMERKUNG: Verwenden Sie auf keinen Fall Benzin, Waschbenzin, Verdünnern, Alkohol oder dergleichen. Solche Mittel können Verfärbung, Verformung oder Rissbildung verursachen.

Um die SICHERHEIT und ZUVERLÄSSIGKEIT dieses Produkts zu gewährleisten, sollten Reparaturen und andere Wartungs- oder Einstellarbeiten nur von Makita-Vertragswerkstätten oder Makita-Kundendienstzentren unter ausschließlicher Verwendung von Makita-Originalersatzteilen ausgeführt werden.

Lagerung

Entfernen Sie den Akku vor der Lagerung, und lagern Sie das Gerät an einem ebenen Platz in Aufrechtstellung.

► **Abb.33**

Reinigung des Staubsauger-Hauptteils

Wischen Sie die Außenseite des Staubsaugers (Staubsauger-Hauptteil) von Zeit zu Zeit mit einem mit Seifenwasser angefeuchteten Tuch ab.

► **Abb.34**

Reinigen des HEPA-Filters

⚠ VORSICHT: Benutzen Sie den Staubsauger nicht ohne einen Filter oder mit einem verschmutzten oder beschädigten Filter. Es besteht sonst die Gefahr, dass aufgesaugter Staub oder Partikel vom Sauggerät entweichen und die Atemwege des Bedieners angreifen.

ANMERKUNG: Um optimale Saugkraft und saubere Abluft aufrechtzuerhalten, reinigen Sie den Filter regelmäßig. Falls trotz einer Reinigung keine ausreichende Saugkraft erzielt wird, ersetzen Sie den Filter durch einen neuen.

ANMERKUNG: Um eine Beschädigung des Filters zu verhindern, verwenden Sie nicht die folgenden Werkzeuge und ähnliche Gegenstände zum Reinigen:

- Druckluftspray
- Hochdruckreiniger
- Aus harten Werkstoffen hergestellte Werkzeuge, z. B. eine Metallbürste

1. Öffnen Sie den Staubboxdeckel, und nehmen Sie den Filterbeutel heraus.

Lösen Sie die Haken am Filter, und nehmen Sie den Filter aus dem Hauptteil des Geräts heraus.

► **Abb.35:** 1. Haken

- Klopfen Sie den Filter aus, um Staub zu entfernen. Der Filter kann mit Wasser gewaschen werden. Spülen Sie Staub und Partikel am Filter alle 1 oder 2 Monate ab. Lassen Sie den Filter anschließend an einem schattigen und gut belüfteten Ort vollkommen trocknen, um unangenehmen Geruch oder Funktionsstörungen zu verhindern.
- Um den Filter einzusetzen, führen Sie die Seite ohne die Haken in die Führungsnut ein, und drücken Sie dann den Filter hinein, bis die Haken mit einem Klicken einrasten.
► **Abb.36:** 1. Nut 2. HEPA-Filter 3. Haken

Reinigung der Bürstenrolle

- Entfernen Sie die Bodenplatte, und nehmen Sie dann die Bürstenrolle heraus.
Wenn die Borsten der Bürstenrolle kurz werden, lassen Sie sie von einer Makita-Kundendienststelle durch eine neue ersetzen.
Der Betrieb des Gerätes mit kurzen Borsten der Bürstenrolle führt zu schlechter Staubsammlung.
► **Abb.37:** 1. Bodenplatte 2. Bürstenrolle
- Entfernen Sie Fäden und Haare mit einer Schere von der Bürstenrolle.
Nehmen Sie die Kappe ab, und entfernen Sie Fremdkörper.
► **Abb.38:** 1. Kappe
- Bringen Sie Kappe, Bürstenrolle und Bodenplatte in umgekehrter Reihenfolge an.
► **Abb.39**

⚠ VORSICHT: Bringen Sie die Bodenplatte wieder sicher in ihre Ausgangsstellung, bis die zwei Verriegelungshebel mit einem Klicken einrasten. Wird das Gerät ohne die Bodenplatte betrieben, kann sich die Bürstenrolle lösen und Verletzungen verursachen.

- **Abb.40:** 1. Bodenplatte 2. Verriegelungshebel

ANMERKUNG: Setzen Sie stets die Bürstenrolle ein. Der Betrieb des Gerätes ohne die Bürstenrolle führt zu schlechter Staubsammlung.

Beseitigen einer Verstopfung

ANMERKUNG: Betreiben Sie das Gerät nicht mit verstopftem Saugluftströmungsweg. Fortgesetzter Gebrauch mit verstopftem Saugluftströmungsweg führt zu reduzierter Saugkraft.

- Entfernen Sie die Bodenplatte, und nehmen Sie dann die Bürstenrolle heraus.
- Entfernen Sie das Aluminiumrohr vom Gerät und vom Schlauch.
- Drehen Sie den Schlauch entgegen dem Uhrzeigersinn, und entfernen Sie dann den Schlauch vom Gerät.
- Entfernen Sie den Saugschlauch durch Ziehen der Lasche.
► **Abb.41:** 1. Bodenplatte 2. Bürstenrolle
3. Aluminiumrohr 4. Schlauch
5. Saugschlauch 6. Lasche

- Überprüfen Sie den Saugluftströmungsweg in Aluminiumrohr, Schlauch und Saugschlauch.
Entfernen Sie Schmutz aus dem Inneren dieser Teile.
- Richten Sie die Lasche des Saugschlauchs auf die Nut im Gehäuse aus, und schieben Sie sie hinein.
► **Abb.42:** 1. Lasche 2. Nut
- Installieren Sie Schlauch, Aluminiumrohr, Bürstenrolle und Bodenplatte.

⚠ VORSICHT: Installieren Sie den Schlauch und das Rohr fest. Anderenfalls kann Staub austreten und eine Verletzung verursachen.

Staubsack

Sonderzubehör

Der Staubsack kann durch Entleeren wiederholt verwendet werden.

Anbringen und Abnehmen des Staubsacks

Das Verfahren zum Anbringen und Abnehmen des Staubsacks ist dasselbe wie das des Filterbeutels. Bitte lesen Sie den Abschnitt über das Installieren des Filterbeutels und das Entfernen des Filterbeutels.
► **Abb.43:** 1. Staubsack 2. Gummikappe

ANMERKUNG: Wenn Sie den Staubsack anbringen, öffnen Sie zuerst die Gummikappe. Führen Sie den Staubsack mit der Gummikappe dahinter ein.

Entleeren des Staubsacks

- Schließen Sie die Gummikappe, damit kein Staub aufgewirbelt wird.
- Öffnen Sie die Sacköffnung durch Herausziehen des Verschlusses.
- Entleeren Sie den Staubsack, indem Sie ihn leicht abklopfen, um die an den Innenflächen haftenden Staupartikel zu lösen.
► **Abb.44:** 1. Staubsack 2. Gummikappe
3. Verschluss

ANMERKUNG: Entleeren Sie den Staubsack häufig. Zu viel Staub lässt den Sack leicht reißen.

Reinigen des Staubsacks

Reinigen Sie den Staubsack regelmäßig mit Seife und Wasser. Stülpen Sie den Staubsack um, und entfernen Sie den klebrigen Staub. Waschen Sie den Staubsack leicht von Hand aus, und spülen Sie ihn gut mit Wasser ab. Lassen Sie den Staubsack vollkommen trocknen, bevor Sie ihn in das Sauggerät einsetzen.
► **Abb.45**

ANMERKUNG: Ein nasser Staubsack verringert die Saugleistung sowie die Lebensdauer des Motors.

ANMERKUNG: Achten Sie beim Anbringen des Verschlusses am Staubsack darauf, dass die Sacköffnung sicher verschlossen ist.

ZYKLONAUFSATZ

Sonderzubehör

► **Abb.46:** 1. Zyklonaufsatz

Info zum Zyklonaufsatz

Wird der Staubsauger mit installiertem Zyklonaufsatz verwendet, so wird die Staubmenge, die in den Filterbeutel gelangt, reduziert, was dazu beiträgt, eine Abschwächung der Saugkraft zu verhindern. Außerdem wird die Reinigung nach dem Gebrauch ebenfalls vereinfacht.

⚠ VORSICHT: Vergewissern Sie sich vor der Ausführung von Arbeiten am Werkzeug stets, dass das Werkzeug ausgeschaltet und der Akku abgenommen ist. Wird der Akku eingesetzt gelassen, kann der Staubsauger unerwartet anlaufen, was zu Verletzungen führen kann.

⚠ VORSICHT: Reinigen Sie den Netzfilter des Zyklonaufsatzes und den Filterbeutel der Staubsaugereinheit, wenn sie verstopft werden. Fortgesetzter Gebrauch im verstopften Zustand kann zu Erhitzung oder Rauchbildung führen.

ANMERKUNG: Wenn der Zyklonaufsatz angebracht ist, verwenden Sie ihn nicht im horizontalen oder nach oben gerichteten Zustand. Anderenfalls kann der Netzfilter verstopft werden.

ANMERKUNG: Benutzen Sie den Staubsauger selbst bei Verwendung des Zyklonaufsatzes immer mit installiertem Filterbeutel. Wird der Staubsauger ohne den Filterbeutel benutzt, kann es zu einer Funktionsstörung des Motors kommen.

HINWEIS: Stellen Sie vor Gebrauch sicher, dass Zyklonaufsatz, Staubsauger und gerades Rohr einwandfrei verriegelt sind.

HINWEIS: Entleeren Sie den Staubsammelbehälter des Zyklonaufsatzes und den Filterbeutel des Staubsaugers, wenn Staub sich angesammelt hat. Fortgesetzter Gebrauch führt zu einer Abschwächung der Saugkraft.

Installieren des Zyklonaufsatzes

1. Drehen Sie die Manschette am Schlauch entgegen dem Uhrzeigersinn und entfernen Sie den Schlauch, den Rohrgriff und das Aluminiumrohr aus dem Gerät.

► **Abb.47:** 1. Manschette 2. Schlauch 3. Rohrgriff 4. Aluminiumrohr

2. Drehen Sie die Seite des Stoppers am Zyklonaufsatz nach oben, wobei Sie den Stopper auf die Nut des Saugeinlasses ausrichten. Verriegeln Sie den Stopper, indem Sie den Zyklonaufsatz einführen, bis er einrastet. Ziehen Sie geringfügig am Zyklonaufsatz, um sicherzustellen, dass er sich nicht löst. Installieren Sie das gerade Rohr nach demselben Verfahren wie den Zyklonaufsatz.

► **Abb.48:** 1. Griff für Zyklonaufsatz 2. Saugeinlass 3. Zyklonaufsatz 4. Gerades Rohr für Zyklonaufsatz 5. Stopper 6. Verriegelungsknopf

3. Installieren Sie den Zyklonaufsatz am Gerät, und drehen Sie dann die Manschette am Schlauch im Uhrzeigersinn, um ihn zu befestigen.

► **Abb.49**

Staubentleerung

Wenn Staub sich bis zur Voll-Linie des Staubsammelbehälters angesammelt hat, entsorgen Sie den Staub nach dem folgenden Verfahren.

1. Halten Sie den Staubsammelbehälter mit festem Griff, während Sie die zwei Knöpfe gedrückt halten, und entfernen Sie den Staubsammelbehälter.

► **Abb.50:** 1. Voll-Linie 2. Staubsammelbehälter 3. Knopf (zwei Stellen) 4. Netzfilter

2. Entsorgen Sie den Staub im Staubsammelbehälter, und entfernen Sie jeglichen an der Oberfläche des Netzfilters haftenden Staub und Pulver.

3. Führen Sie den Staubsammelbehälter vollständig ein, bis die zwei Knöpfe mit einem Klicken einrasten.

► **Abb.51:** 1. Staubsammelbehälter 2. Knopf (zwei Stellen)

HINWEIS: Halten Sie den Zyklonaufsatz fest, wenn Sie den Staubsammelbehälter installieren.

HINWEIS: Stellen Sie vor dem erneuten Starten des Betriebs sicher, dass Zyklonaufsatz, Staubsauger und gerades Rohr einwandfrei verriegelt sind.

HINWEIS: Die Staubfüllstand-Warnanzeige am Staubsauger leuchtet nicht auf, wenn der Staubsammelbehälter des Zyklonaufsatzes voll wird.

HINWEIS: Überprüfen Sie unter den folgenden Bedingungen, ob sich Staub im Inneren des Filterbeutels des Staubsaugers angesammelt hat oder eine Verstopfung des Luftwegs aufgetreten ist. Beseitigen Sie die Ursachen nach Erfordernis.

- Wenn sich die Saugleistung nicht verbessert, nachdem Sie Staub aus dem Staubsammelbehälter entfernt und den Netzfilter gereinigt haben.
- Wenn die Staubfüllstand-Warnanzeige am Staubsauger weiterhin leuchtet.

Reinigen

Wenn der Staubsammelbehälter schmutzig wird oder der Netzfilter verstopft ist, entfernen Sie die Teile, und waschen Sie sie mit Wasser. (Angaben zum Demontageverfahren finden Sie unter „Staubentleerung“.)

Lassen Sie die Teile gründlich trocknen, bevor Sie sie wieder installieren und benutzen.

► **Abb.52:** 1. Staubsammelbehälter 2. Netzfilter

Wenn der Netzfilter stark verschmutzt wird, reinigen Sie ihn nach den folgenden Verfahren.

1. Drehen Sie den Netzfilter entgegen dem Uhrzeigersinn, und entfernen Sie ihn bei entriegelten Rasten.

► **Abb.53:** 1. Netzfilter 2. Raste

2. Entfernen Sie den Staub am Netzfilter, und waschen Sie ihn dann mit Wasser. Lassen Sie ihn danach gründlich trocknen.

3. Führen Sie den Netzfilter in die Basis ein, während die Rasten auf den Anschluss ausgerichtet sind. Drehen Sie den Netzfilter im Uhrzeigersinn, bis die Rasten mit einem Klicken einrasten. Vergewissern Sie sich, dass der Netzfilter sicher installiert ist.

► **Abb.54:** 1. Netzfilter 2. Raste 3. Anschluss

FEHLERSUCHE

Bevor Sie den Reparaturdienst anrufen, führen Sie zunächst Ihre eigene Inspektion durch. Falls Sie ein Problem finden, das nicht in der Anleitung erläutert wird, versuchen Sie nicht, die Maschine zu zerlegen. Wenden Sie sich stattdessen an autorisierte Makita-Kundendienstzentren, und achten Sie darauf, dass stets Makita-Ersatzteile für Reparaturen verwendet werden.

Symptom	Mögliche Ursache	Abhilfemaßnahme
Gerät funktioniert nicht	Der Akku ist falsch eingesetzt.	Setzen Sie den Akku gemäß der Beschreibung in dieser Anleitung ein.
	Der Akku ist erschöpft.	Laden Sie den Akku auf.
	Der Handgriff ist falsch installiert.	Installieren Sie den Handgriff fest, wie in dieser Anleitung beschrieben.
Die Bürstenrolle dreht sich nicht.	Das Gerät ist in der Aufrechtstellung verriegelt.	Entriegeln Sie das Gerät aus der Aufrechtstellung.
	Die Bürstenrollen-Fehleranzeige leuchtet.	Prüfen Sie nach, ob Verwicklung um die Bürstenrolle (Hauptteil, Kappe und Verbindungsstück) aufgetreten ist.
Schwache Saugkraft	Die Staubfüllstand-Warnanzeige leuchtet auf.	Tauschen Sie den Filterbeutel aus. Falls der Filterbeutel nicht voll ist, entfalten und schütteln Sie ihn, um die Verstopfung zu beseitigen.
	⇒ Falls ein Austausch des Filterbeutels das Problem nicht löst...	Reinigen oder ersetzen Sie den HEPA-Filter.
	Unrat hat sich an der Bürstenrolle verfangen, und die Drehzahl ist abgefallen.	Prüfen Sie nach, ob Verwicklung um die Bürstenrolle (Hauptteil, Kappe, Verbindungsstück) aufgetreten ist.
	Die Bürstenrolle ist zu hoch über dem Fußboden eingestellt.	Senken Sie die Bürstenrolle ab.
	Die Borsten der Bürstenrolle sind kurz geworden.	Tauschen Sie die Bürstenrolle aus. Senken Sie die Bürstenrolle ab.
	Das Gerät läuft in der niedrigen Betriebsart.	Schalten Sie auf eine höhere Betriebsart um.
	Die Bürstenrolle ist nicht installiert.	Installieren Sie die Bürstenrolle.
	Das Rohr oder der Schlauch ist falsch installiert.	Installieren Sie das Rohr oder den Schlauch fest.
	Lautes Antriebsgeräusch	Das Gerät läuft in der hohen Betriebsart.
Unrat hat sich an der Bürstenrolle verfangen.		Prüfen Sie nach, ob Verwicklung um die Bürstenrolle (Hauptteil, Kappe und Verbindungsstück) aufgetreten ist.
Der Filterbeutel ist mit Staub gefüllt.		Tauschen Sie den Filterbeutel aus.
⇒ Falls ein Austausch des Filterbeutels das Problem nicht löst...		Reinigen oder ersetzen Sie den HEPA-Filter. Prüfen Sie nach, ob Schlauch und Rohr durch Fremdkörper verstopft sind.
Die Staubfüllstand-Warnanzeige blinkt nach kurzem Gebrauch.	Der Filterbeutel ist zusammengefallen.	Entfalten Sie den Eingang des Filterbeutels vor dem Einsetzen.
Die Lampe leuchtet nicht	Die Lampe ist auf AUS eingestellt.	Halten Sie während des Betriebs die Akkukontroll-/Lampentaste gedrückt, um die Lampe einzuschalten.
Das Laufrad ist schwergängig.	Unrat hat sich am Laufrad verfangen.	Entfernen Sie den Unrat vom Laufrad.

SONDERZUBEHÖR

⚠ VORSICHT: Die folgenden Zubehörteile oder Vorrichtungen werden für den Einsatz mit dem in dieser Anleitung beschriebenen Makita-Werkzeug empfohlen. Die Verwendung anderer Zubehörteile oder Vorrichtungen kann eine Verletzungsgefahr darstellen. Verwenden Sie Zubehörteile oder Vorrichtungen nur für ihren vorgesehenen Zweck.

- Spitzdüse
- Rundbürste
- Zyklonaufsatz
- HEPA-Filter
- Filterbeutel
- Staubsack
- Original-Makita-Akku und -Ladegerät

HINWEIS: Manche Teile in der Liste können als Standardzubehör im Werkzeugsatz enthalten sein. Sie können von Land zu Land unterschiedlich sein.

Wenn Sie weitere Einzelheiten bezüglich dieser Zubehörteile benötigen, wenden Sie sich bitte an Ihre Makita-Kundendienststelle.

Makita Europe N.V.

Jan-Baptist Vinkstraat 2, 3070 Kortenberg, Belgium

Makita Corporation

3-11-8, Sumiyoshi-cho, Anjo, Aichi 446-8502 Japan

www.makita.com



885A55-973 EN, PL, HU, SK, CS, UK, RO, DE 20230913
