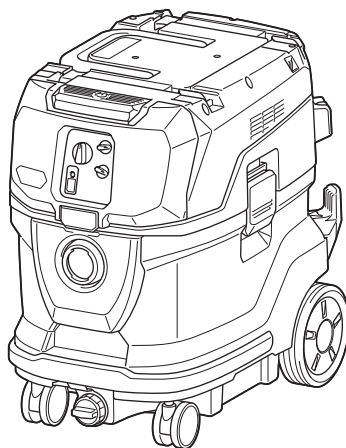




EN	Cordless Vacuum Cleaner	INSTRUCTION MANUAL	10
PL	Odkurzacz akumulatorowy	INSTRUKCJA OBSŁUGI	25
HU	Vezeték nélküli porszívó	HASZNÁLATI KÉZIKÖNYV	42
SK	Akumulátorový vysávač	NÁVOD NA OBSLUHU	58
CS	Bezdrátový akumulátorový vysavač	NÁVOD K OBSLUZE	73
UK	Акумуляторний пилосос	ІНСТРУКЦІЯ З ЕКСПЛУАТАЦІЇ	88
RO	Aspirator fără cablu	MANUAL DE INSTRUCȚIUNI	105
DE	Akku-Staubsauger	BETRIEBSANLEITUNG	121

VC006GM



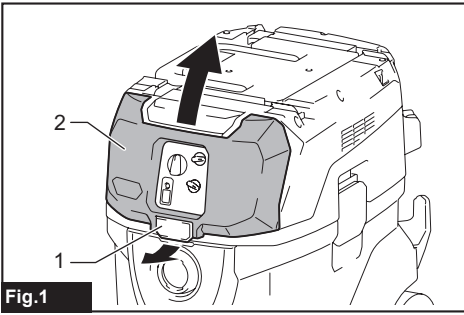


Fig.1

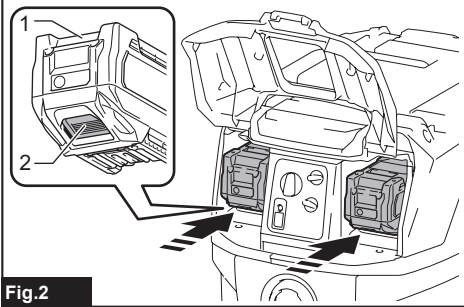


Fig.2

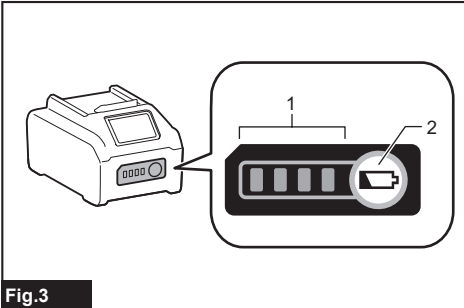


Fig.3

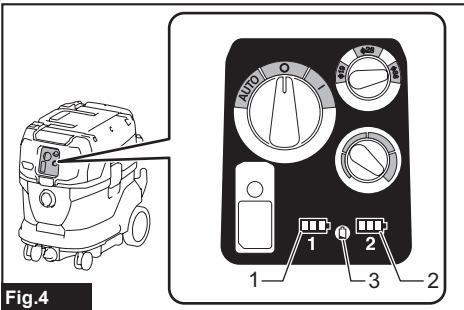


Fig.4

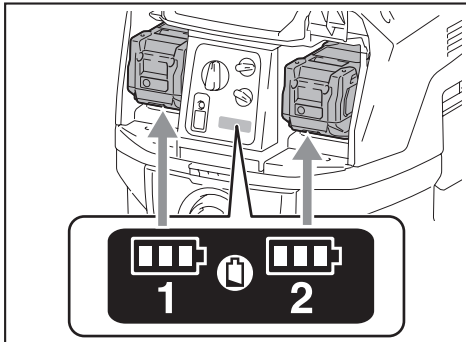


Fig.5

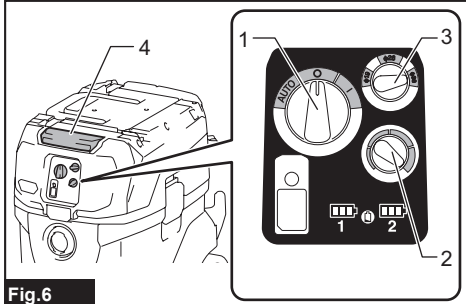


Fig.6

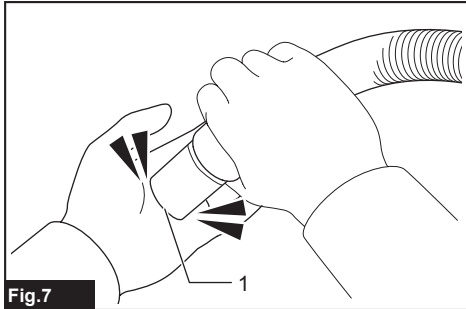


Fig.7

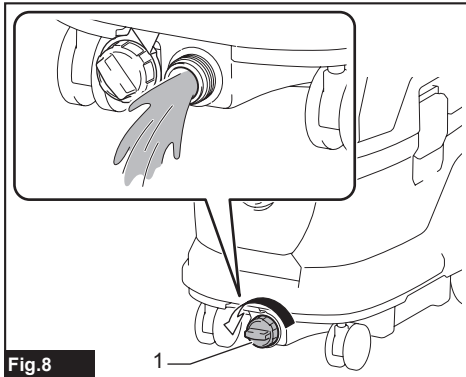
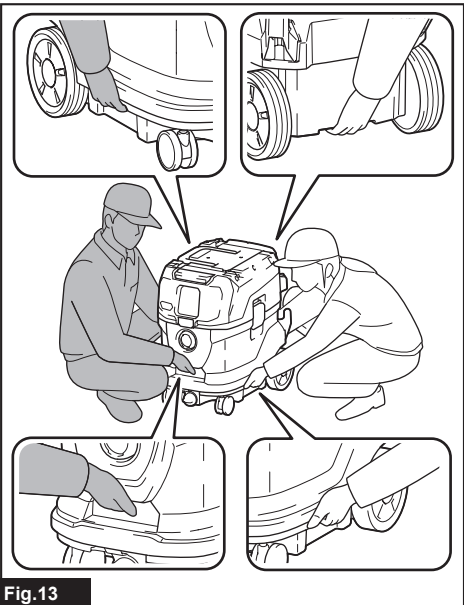
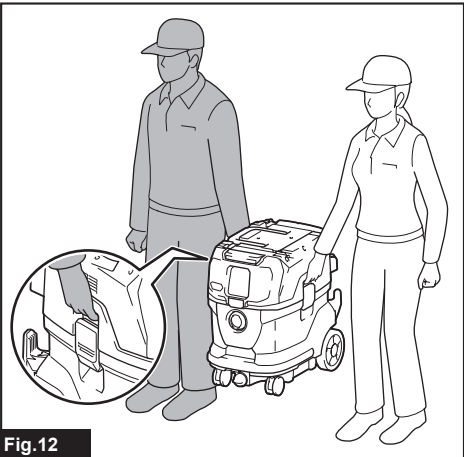
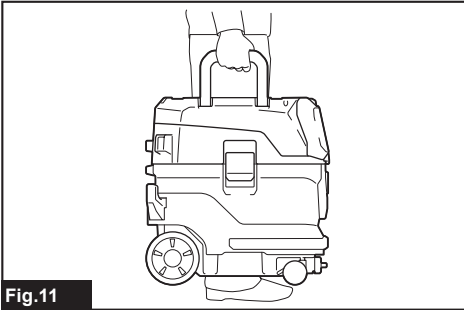
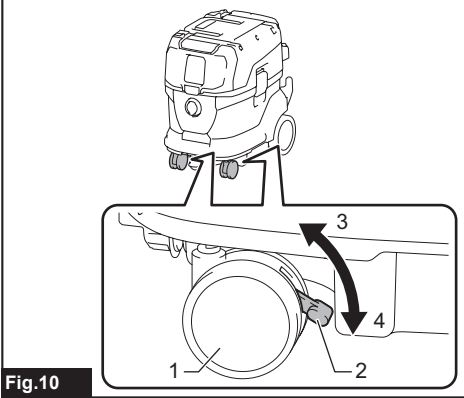
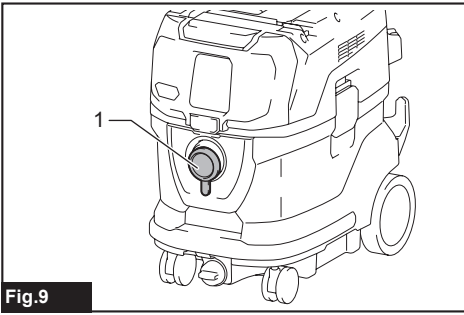


Fig.8



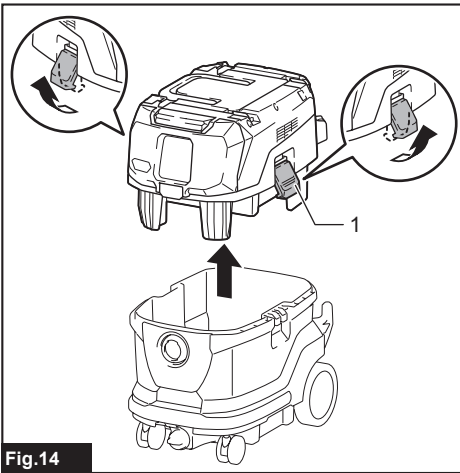


Fig. 14

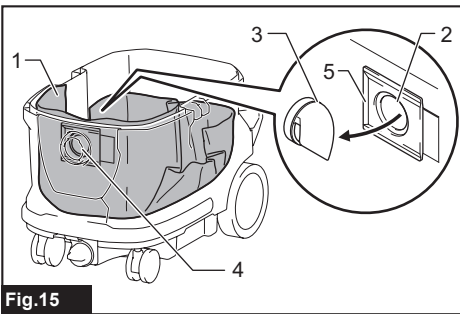


Fig. 15

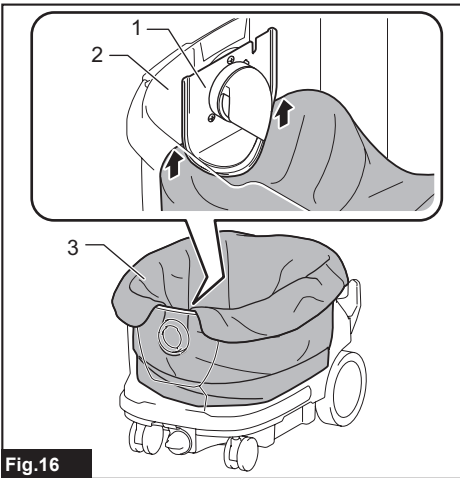


Fig. 16

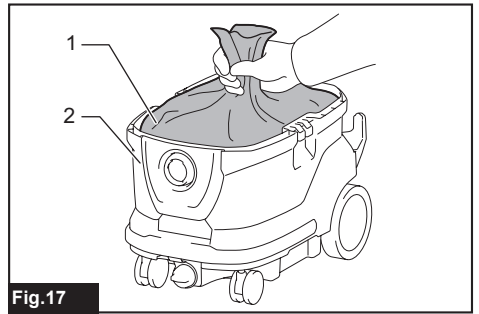


Fig. 17

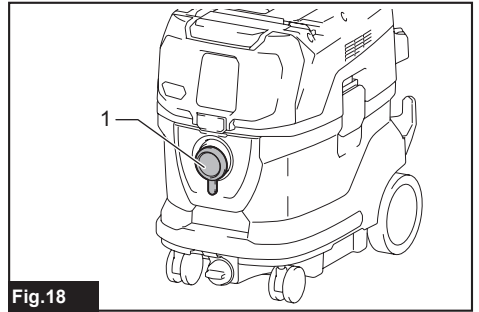


Fig. 18

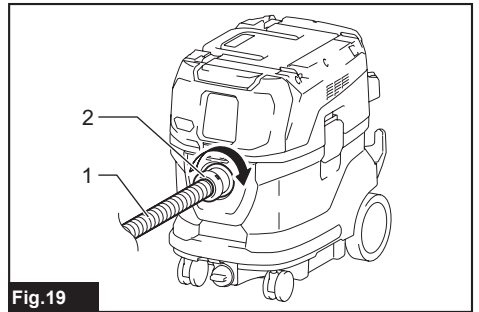


Fig. 19

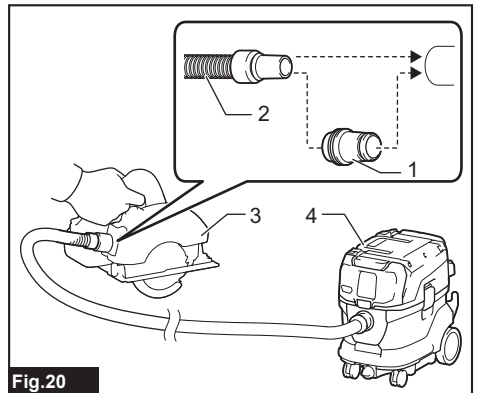


Fig. 20

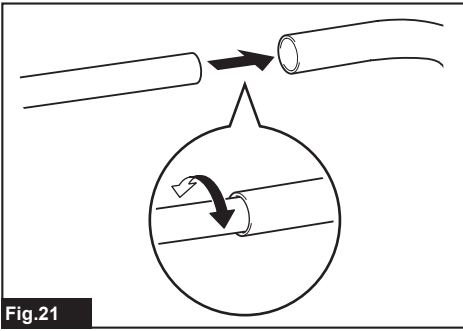


Fig. 21

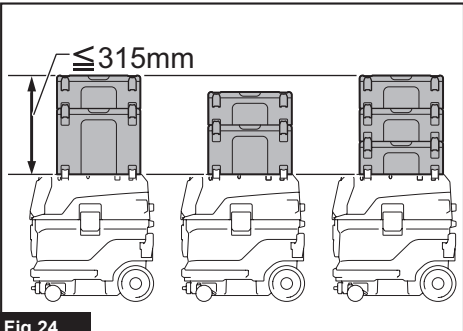


Fig. 24

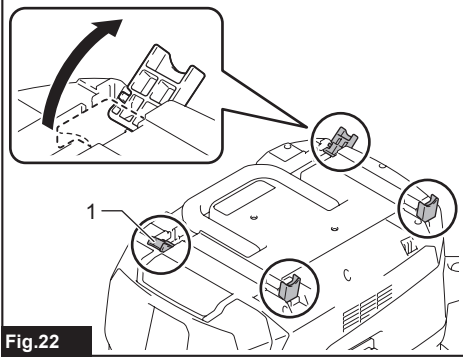


Fig. 22

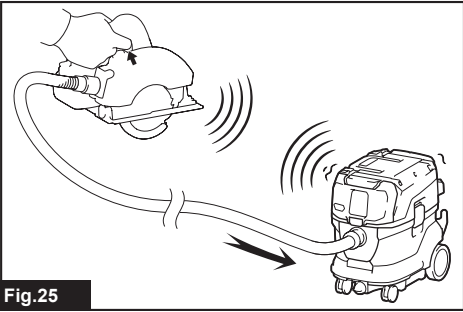


Fig. 25

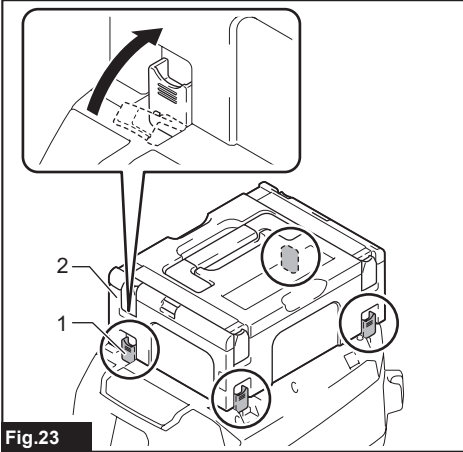


Fig. 23

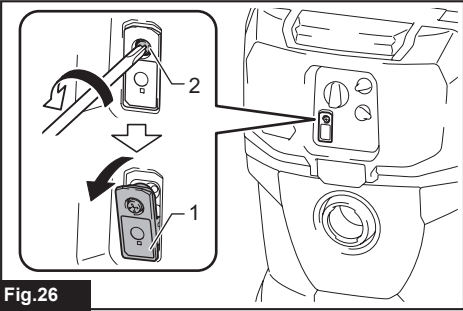


Fig. 26

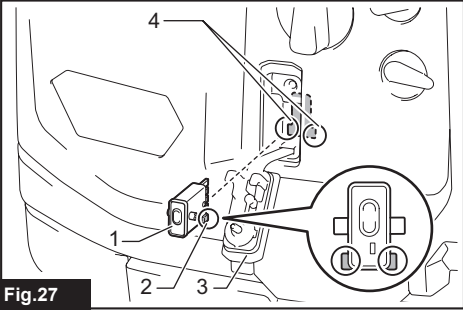
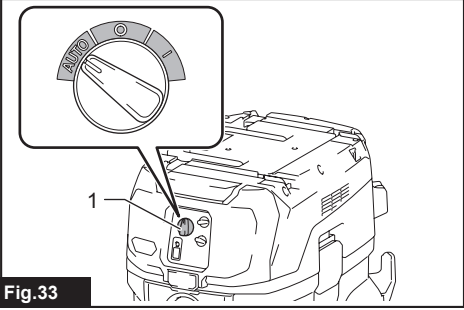
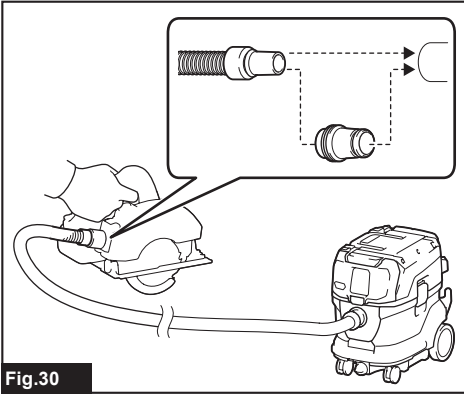
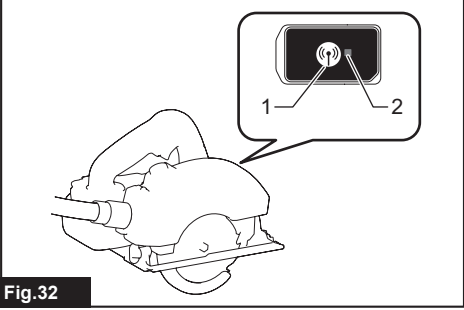
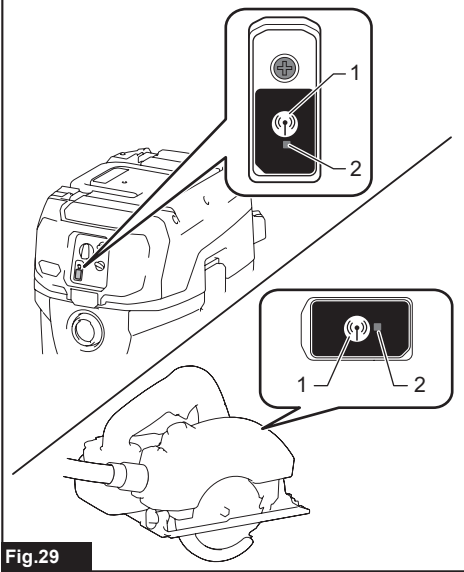
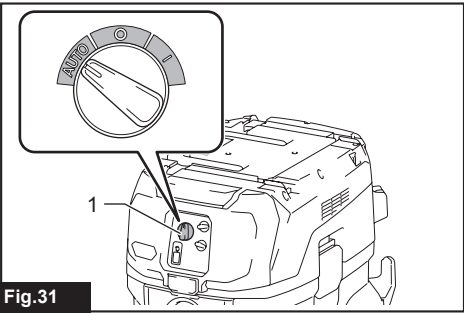
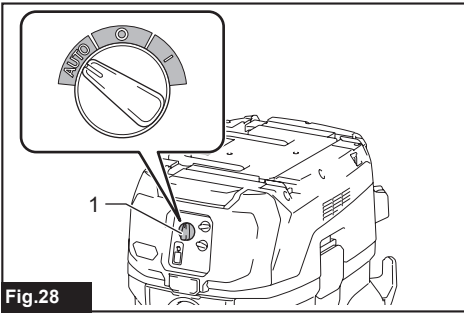


Fig. 27



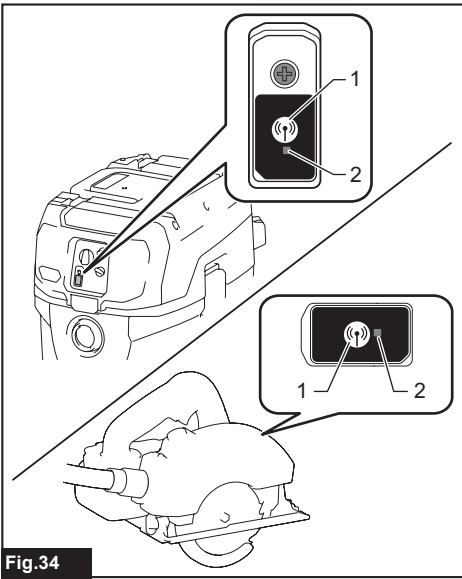


Fig.34

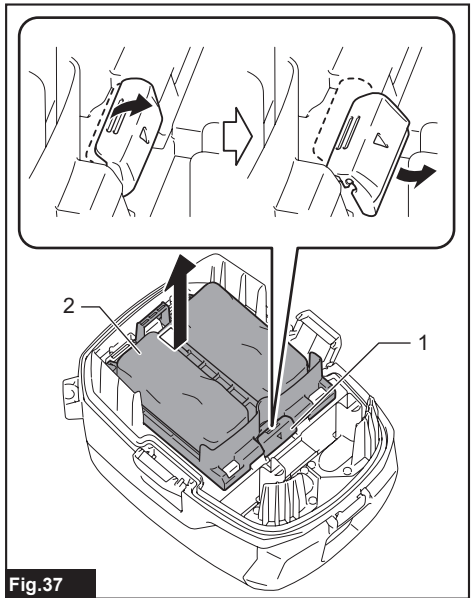


Fig.37

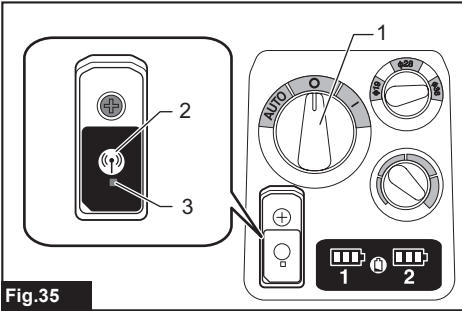


Fig.35

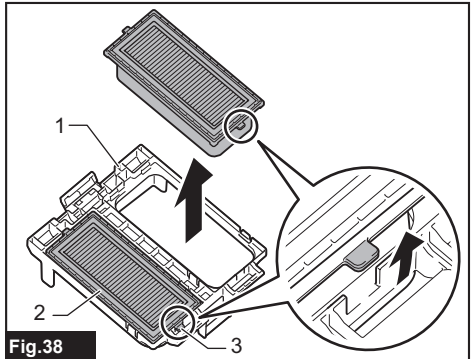


Fig.38

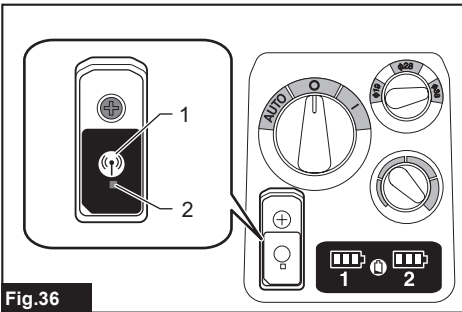


Fig.36

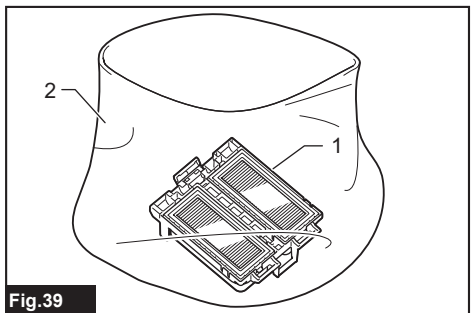


Fig.39

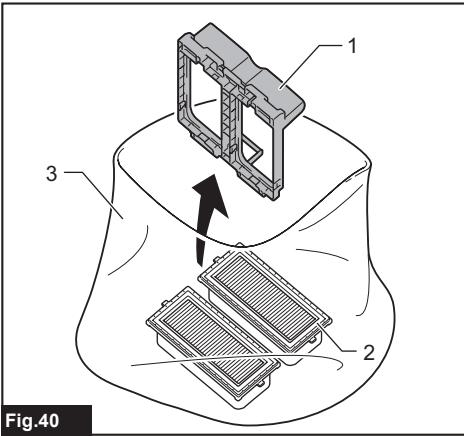


Fig.40

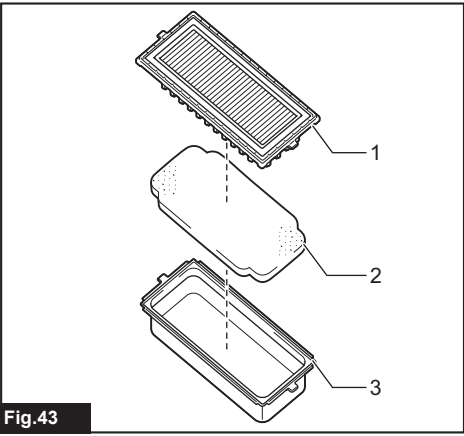


Fig.43

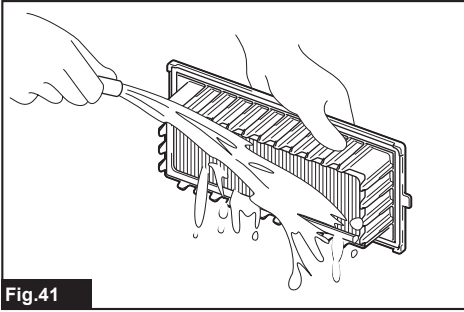


Fig.41

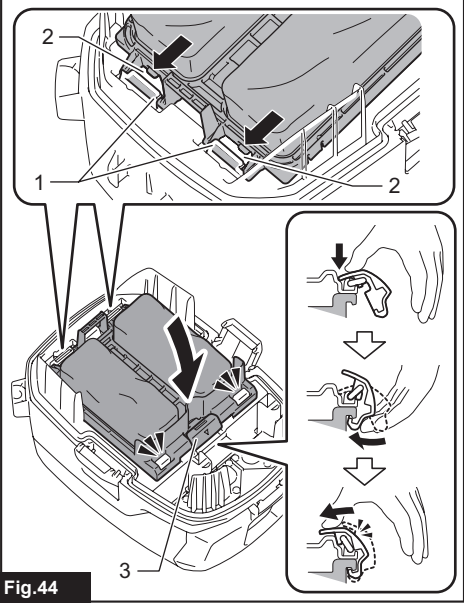


Fig.44

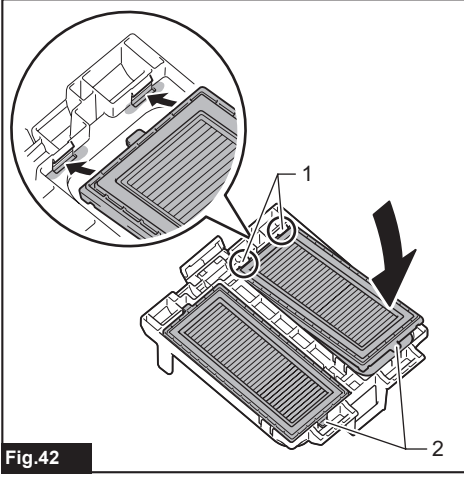


Fig.42

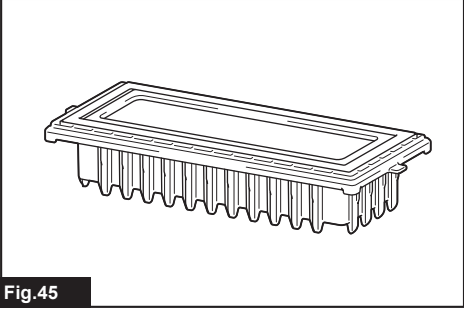


Fig.45

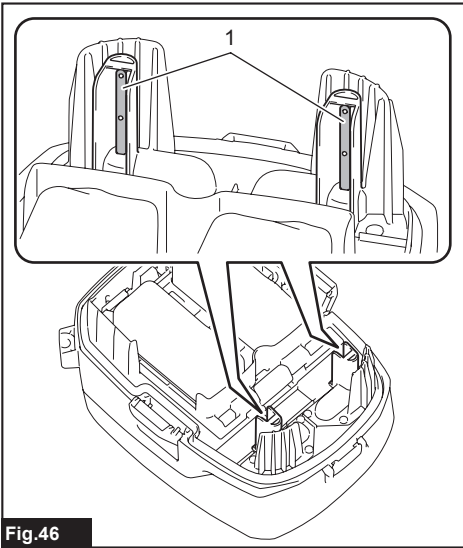


Fig.46

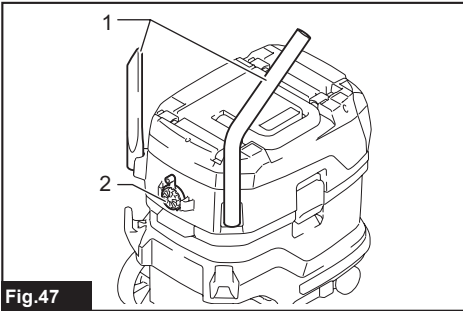


Fig.47

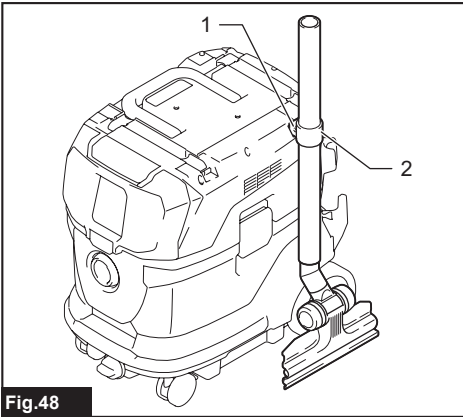


Fig.48

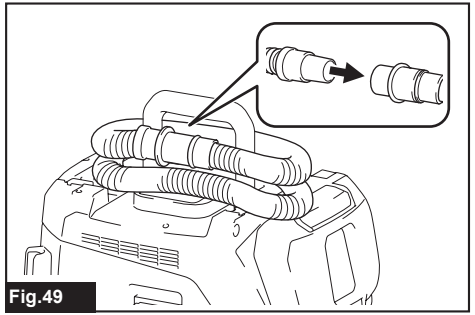


Fig.49

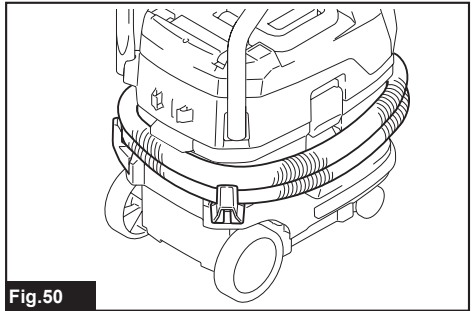


Fig.50

WARNING

- This machine is not intended for use by persons including children with reduced physical, sensory or mental capabilities, or lack of experience and knowledge.
- Children should be supervised to ensure that they do not play with the cleaner.
- See the chapter "SPECIFICATIONS" for the type reference of the battery.
- See the section "Installing or removing battery cartridge" for how to remove or install the battery.
- When disposing the battery cartridge, remove it from the tool and dispose of it in a safe place. Follow your local regulations relating to disposal of battery.
- If the tool is not used for a long period of time, the battery must be removed from the tool.
- Do not short the battery cartridge.
- See the chapter "MAINTENANCE" for the appropriate details of precautions during user maintenance.

SPECIFICATIONS

Model:		VC006GM
Maximum air volume at the end of hose	With BL4050F, ø28 mm x3.5 m hose	2.0 m ³ /min
	With BL4050F, ø38 mm x 2.5 m hose	3.7 m ³ /min
Maximum air volume at turbine (with BL4050F)		4.9 m ³ /min
Vacuum (with BL4050F)		18 kPa
Recoverable capacity	Dust	40 L
	Water	30 L
Dimensions (L x W x H)		586 mm x 385 mm x 598 mm
Rated voltage		D.C. 72 V - 80 V max
Net weight		18.4 - 20.8 kg
Protection degree		IPX4

- Due to our continuing program of research and development, the specifications herein are subject to change without notice.
- Specifications may differ from country to country.
- The weight does not include accessories but battery cartridge(s). The lightest and heaviest combinations weight of the appliance and battery cartridge(s) are shown in the table.

Applicable battery cartridge and charger

Battery cartridge	BL4020 / BL4025 / BL4040* / BL4050F* / BL4080F* *: Recommended battery
Charger	DC40RA / DC40RB / DC40RC

- Some of the battery cartridges and chargers listed above may not be available depending on your region of residence.

⚠WARNING: Only use the battery cartridges and chargers listed above. Use of any other battery cartridges and chargers may cause injury and/or fire.

Symbols

The followings show the symbols which may be used for the equipment. Be sure that you understand their meaning before use.



Read instruction manual.



Take particular care and attention.



Warning! The cleaner may contain hazardous dust.



Never stand on the cleaner.



Never put anything heavier than 20 kg (44 lbs) on the cleaner.



Dust class M (medium): for separating dust with a limit value of occupational exposure not less than 0.1 mg/m^3 . The cleaners are capable of picking up dust class L and M. Follow your country's regulations relating to dusts and to occupational health and safety.



Only for EU countries
Due to the presence of hazardous components in the equipment, waste electrical and electronic equipment, accumulators and batteries may have a negative impact on the environment and human health. Do not dispose of electrical and electronic appliances or batteries with household waste! In accordance with the European Directive on waste electrical and electronic equipment and on accumulators and batteries and waste accumulators and batteries, as well as their adaptation to national law, waste electrical equipment, batteries and accumulators should be stored separately and delivered to a separate collection point for municipal waste, operating in accordance with the regulations on environmental protection. This is indicated by the symbol of the crossed-out wheeled bin placed on the equipment.

Intended use

The appliance is intended for collecting both wet and dry dust. The appliance is suitable for commercial use, for example in hotels, schools, hospitals, factories, shops, offices and rental businesses.

Noise

The typical A-weighted noise level determined according to EN60335-2-69:

Sound pressure level (L_{pA}): 70 dB(A) or less
Uncertainty (K): 2.5 dB (A)

The noise level under working may exceed 80 dB (A).

NOTE: The declared noise emission value(s) has been measured in accordance with a standard test method and may be used for comparing one tool with another.

NOTE: The declared noise emission value(s) may also be used in a preliminary assessment of exposure.

⚠ WARNING: Wear ear protection.

⚠ WARNING: The noise emission during actual use of the power tool can differ from the declared value(s) depending on the ways in which the tool is used especially what kind of workpiece is processed.

⚠ WARNING: Be sure to identify safety measures to protect the operator that are based on an estimation of exposure in the actual conditions of use (taking account of all parts of the operating cycle such as the times when the tool is switched off and when it is running idle in addition to the trigger time).

Vibration

The vibration total value (tri-axial vector sum) determined according to EN60335-2-69:
Vibration emission ($a_{h,M}$): 2.5 m/s^2 or less
Uncertainty (K): 1.5 m/s^2

NOTE: The declared vibration total value(s) has been measured in accordance with a standard test method and may be used for comparing one tool with another.

NOTE: The declared vibration total value(s) may also be used in a preliminary assessment of exposure.

⚠ WARNING: The vibration emission during actual use of the power tool can differ from the declared value(s) depending on the ways in which the tool is used especially what kind of workpiece is processed.

⚠ WARNING: Be sure to identify safety measures to protect the operator that are based on an estimation of exposure in the actual conditions of use (taking account of all parts of the operating cycle such as the times when the tool is switched off and when it is running idle in addition to the trigger time).

EC Declaration of Conformity

For European countries only

The EC declaration of conformity is included as Annex A to this instruction manual.

SAFETY WARNINGS

Cordless vacuum cleaner safety warnings

⚠ WARNING: IMPORTANT! READ CAREFULLY all safety warnings and all instructions BEFORE USE. Failure to follow the warnings and instructions may result in electric shock, fire and/or serious injury.

1. Before use, make sure that this cleaner must be used by people who have been adequately instructed on the use of this cleaner.

2. Before use, operators shall be provided with information, instruction and training for the use of the machine and the substances for which it is to be used, including the safe method of removal and disposal of the material collected.
3. If foam/liquid comes out, switch off immediately.
4. Clean the water level limiting device regularly and examine it for signs of damage.
5. Always make sure that filters are correctly installed before use. Do not use the cleaner without filters in place. Replace a damaged filter immediately. It is recommended to have some spares as filters are consumable items.
6. **AVOID UNINTENTIONAL STARTING.** Be sure switch is OFF when installing battery(ies).
7. Do not attempt to pick up flammable materials, fireworks, lighted cigarettes, hot ashes, hot metal chips, and sharp materials such as razors, needles, broken glass or the like.
8. **NEVER USE THE CLEANER IN THE VICINITY OF GASOLINE, GAS, PAINT, ADHESIVES OR OTHER HIGHLY EXPLOSIVE SUBSTANCES.** The switch emits sparks when turned ON and OFF. And so does the motor commutator during operation. A dangerous explosion may result.
9. Never vacuum up toxic, carcinogenic, combustible or other hazardous materials such as asbestos, arsenic, barium, beryllium, lead, pesticides, or other health endangering materials.
10. Always place the cleaner on a horizontal flat surface to prevent it from falling or moving unintentionally.
11. Never use the cleaner outdoors in the rain.
12. For Finland, this machine is not to be used outdoors at low temperature.
13. Do not use close to heat sources (stoves, etc.).
14. If the exhaust air is returned to the room, it is necessary to provide for an adequate air change rate in the room. Reference to National regulations is necessary.
15. Do not block suction inlet/outlet/cooling vents. These vents permit cooling of the motor. Blockage should be carefully avoided otherwise the motor will burn out due to a lack of ventilation.
16. Keep proper footing and balance at all times.
17. Do not fold, tug or step on the hose.
18. Stop the cleaner immediately if you notice poor performance or anything abnormal during operation.
19. **REMOVE THE BATTERY(IES).** When not in use, before servicing, and when changing accessories.
20. Clean and service the cleaner immediately after each use to keep it in tiptop operating condition.
21. **MAINTAIN THE CLEANER WITH CARE.** Keep the cleaner clean for better and safer performance. Follow instructions for changing accessories. Keep handles dry, clean, and free from oil and grease.
22. **CHECK DAMAGED PARTS.** Before further use of the cleaner, a guard or other part that is damaged should be carefully checked to determine that it will operate properly and perform its intended function. Check for alignment of moving parts, binding of moving parts, breakage of parts, mounting, and any other conditions that may affect its operation. A guard or other part that is damaged should be properly repaired or replaced by an authorized service center unless otherwise indicated elsewhere in this instruction manual. Have defective switches replaced by authorized service center. Don't use the cleaner if switch does not turn it on and off.
23. For user servicing, the machine shall be dismantled, cleaned and serviced, as far as is reasonably practicable, without causing risk to the maintenance staff and others.
24. The machine should be technically inspected by the manufacturer, or an instructed person, at least annually, consisting of, for example, inspection of filters for damage, air tightness of the machine and proper function of the control mechanism.
25. When carrying out service or repair operations, all contaminated items which cannot be satisfactorily cleaned are to be disposed of; such items shall be disposed of in impervious bags in accordance with any current regulation for the disposal of such waste.
26. **REPLACEMENT PARTS.** When servicing, use only identical replacement parts.
27. When not in use, always store the cleaner indoors.
28. Wet filters and the interior part of the liquid container shall be dried before storage.
29. Be kind to your cleaner. Rough handling can cause breakage of even the most sturdily built cleaner.
30. Do not attempt to clean the exterior or interior with benzine, thinner or cleaning chemicals. Cracks and discoloration may be caused.
31. Do not use cleaner in an enclosed space where flammable, explosive or toxic vapors are given off by oil-based paint, paint-thinner, gasoline, some mothproofing substances, etc., or in areas where flammable dust is present.
32. Do not operate the cleaner or any tool while under the influence of drugs or alcohol.
33. As a basic rule of safety, use safety goggles or safety glasses with side shields.
34. Use a dust mask in dusty work conditions.
35. This machine is not intended for use by persons including children with reduced physical, sensory or mental capabilities, or lack of experience and knowledge.
36. Children should be supervised to ensure that they do not play with the cleaner.
37. Never handle battery(ies) and cleaner with wet hands.
38. Use extreme caution when cleaning on stairs.
39. Do not use the cleaner as a stool or work bench. The machine may fall down and may result in personal injury.

Battery tool use and care

1. **Recharge only with the charger specified by the manufacturer.** A charger that is suitable for one type of battery pack may create a risk of fire when used with another battery pack.
2. **Use power tools only with specifically designed battery packs.** Use of any other battery packs may create a risk of injury and fire.
3. **When battery pack is not in use, keep it away from other metal objects, like paper clips, coins, keys, nails, screws or other small metal objects, that can make a connection from one terminal to another.** Shorting the battery terminals together may cause burns or a fire.
4. **Under abusive conditions, liquid may be ejected from the battery; avoid contact. If contact accidentally occurs, flush with water. If liquid contacts eyes, additionally seek medical help.** Liquid ejected from the battery may cause irritation or burns.
5. **Do not use a battery pack or tool that is damaged or modified.** Damaged or modified batteries may exhibit unpredictable behaviour resulting in fire, explosion or risk of injury.
6. **Do not expose a battery pack or tool to fire or excessive temperature.** Exposure to fire or temperature above 130 °C may cause explosion.
7. **Follow all charging instructions and do not charge the battery pack or tool outside the temperature range specified in the instructions.** Charging improperly or at temperatures outside the specified range may damage the battery and increase the risk of fire.

SAVE THESE INSTRUCTIONS.

⚠ WARNING: DO NOT let comfort or familiarity with product (gained from repeated use) replace strict adherence to safety rules for the subject product. MISUSE or failure to follow the safety rules stated in this instruction manual may cause serious personal injury.

Important safety instructions for battery cartridge

1. **Before using battery cartridge, read all instructions and cautionary markings on (1) battery charger, (2) battery, and (3) product using battery.**
2. **Do not disassemble or tamper with the battery cartridge.** It may result in a fire, excessive heat, or explosion.
3. **If operating time has become excessively shorter, stop operating immediately.** It may result in a risk of overheating, possible burns and even an explosion.
4. **If electrolyte gets into your eyes, rinse them out with clear water and seek medical attention right away.** It may result in loss of your eyesight.
5. **Do not short the battery cartridge:**
 - (1) **Do not touch the terminals with any conductive material.**
 - (2) **Avoid storing battery cartridge in a container with other metal objects such as nails, coins, etc.**
 - (3) **Do not expose battery cartridge to water or rain.**

A battery short can cause a large current flow, overheating, possible burns and even a breakdown.

6. **Do not store and use the tool and battery cartridge in locations where the temperature may reach or exceed 50 °C (122 °F).**
7. **Do not incinerate the battery cartridge even if it is severely damaged or is completely worn out.** The battery cartridge can explode in a fire.
8. **Do not nail, cut, crush, throw, drop the battery cartridge, or hit against a hard object to the battery cartridge.** Such conduct may result in a fire, excessive heat, or explosion.
9. **Do not use a damaged battery.**
10. **The contained lithium-ion batteries are subject to the Dangerous Goods Legislation requirements.**

For commercial transports e.g. by third parties, forwarding agents, special requirement on packaging and labeling must be observed. For preparation of the item being shipped, consulting an expert for hazardous material is required. Please also observe possibly more detailed national regulations.

Tape or mask off open contacts and pack up the battery in such a manner that it cannot move around in the packaging.
11. **When disposing the battery cartridge, remove it from the tool and dispose of it in a safe place. Follow your local regulations relating to disposal of battery.**
12. **Use the batteries only with the products specified by Makita.** Installing the batteries to non-compliant products may result in a fire, excessive heat, explosion, or leak of electrolyte.
13. **If the tool is not used for a long period of time, the battery must be removed from the tool.**
14. **During and after use, the battery cartridge may take on heat which can cause burns or low temperature burns. Pay attention to the handling of hot battery cartridges.**
15. **Do not touch the terminal of the tool immediately after use as it may get hot enough to cause burns.**
16. **Do not allow chips, dust, or soil stuck into the terminals, holes, and grooves of the battery cartridge.** It may cause heating, catching fire, burst and malfunction of the tool or battery cartridge, resulting in burns or personal injury.
17. **Unless the tool supports the use near high-voltage electrical power lines, do not use the battery cartridge near a high-voltage electrical power lines.** It may result in a malfunction or breakdown of the tool or battery cartridge.
18. **Keep the battery away from children.**

SAVE THESE INSTRUCTIONS.

⚠ CAUTION: Only use genuine Makita batteries. Use of non-genuine Makita batteries, or batteries that have been altered, may result in the battery bursting causing fires, personal injury and damage. It will also void the Makita warranty for the Makita tool and charger.

Tips for maintaining maximum battery life

1. Charge the battery cartridge before completely discharged. Always stop tool operation and charge the battery cartridge when you notice less tool power.
2. Never recharge a fully charged battery cartridge. Overcharging shortens the battery service life.
3. Charge the battery cartridge with room temperature at 10 °C - 40 °C (50 °F - 104 °F). Let a hot battery cartridge cool down before charging it.
4. When not using the battery cartridge, remove it from the tool or the charger.
5. Charge the battery cartridge if you do not use it for a long period (more than six months).

Important safety instructions for wireless unit

1. Never open the lid of the slot by yourself once installing the wireless unit.
2. Do not disassemble or tamper with the wireless unit.
3. Keep the wireless unit away from young children. If accidentally swallowed, seek medical attention immediately.
4. Use the wireless unit only with Makita tools.
5. Do not expose the wireless unit to rain or wet conditions.
6. Do not use the wireless unit in places where the temperature exceeds 50 °C (122 °F).
7. Do not operate the wireless unit in places where medical instruments, such as heart pace makers are nearby.
8. Do not operate the wireless unit in places where automated devices are nearby. If operated, automated devices may develop malfunction or error.
9. Do not operate the wireless unit in places under high temperature or places where static electricity or electrical noise could be generated.
10. The wireless unit can produce electromagnetic fields (EMF) but they are not harmful to the user.
11. The wireless unit is an accurate instrument. Be careful not to drop or strike the wireless unit.
12. Avoid touching the terminal of the wireless unit with bare hands or metallic materials.
13. Always remove the battery on the product when installing the wireless unit into it.
14. When opening the lid of the slot, avoid the place where dust and water may come into the slot. Always keep the inlet of the slot clean.
15. Always insert the wireless unit in the correct direction.
16. Do not press the wireless activation button on the wireless unit too hard and/or press the button with an object with a sharp edge.
17. Always close the lid of the slot when operating.

18. Do not remove the wireless unit from the slot while the power is being supplied to the tool. Doing so may cause a malfunction of the wireless unit.
19. Do not remove the sticker on the wireless unit.
20. Do not put any sticker on the wireless unit.
21. Do not leave the wireless unit in a place where static electricity or electrical noise could be generated.
22. Do not leave the wireless unit in a place subject to high heat, such as a car sitting in the sun.
23. Do not leave the wireless unit in a dusty or powdery place or in a place corrosive gas could be generated.
24. Sudden change of the temperature may bedew the wireless unit. Do not use the wireless unit until the dew is completely dried.
25. When cleaning the wireless unit, gently wipe with a dry soft cloth. Do not use benzine, thinner, conductive grease or the like.
26. When storing the wireless unit, keep it in the supplied case or a static-free container.
27. Do not insert any devices other than Makita wireless unit into the slot on the tool.
28. Do not use the tool with the lid of the slot damaged. Water, dust, and dirt come into the slot may cause malfunction.
29. Do not pull and/or twist the lid of the slot more than necessary. Restore the lid if it comes off from the tool.
30. Replace the lid of the slot if it is lost or damaged.

SAVE THESE INSTRUCTIONS.

FUNCTIONAL DESCRIPTION

CAUTION: Always be sure that the appliance is switched off and the battery cartridges are removed before adjusting or checking function on the appliance.

Installing or removing battery cartridge

CAUTION: Always switch off the tool before installing or removing of the battery cartridge.

CAUTION: Hold the cleaner and the battery cartridge firmly when installing or removing battery cartridge. Failure to hold the cleaner and the battery cartridge firmly may cause them to slip off your hands and result in damage to the cleaner and battery cartridge and a personal injury.

CAUTION: Be careful not to pinch your fingers when opening or closing the battery cover. Failure to do so may cause personal injury.

To install the battery cartridge, release the lock first, and then open the battery cover. After that, insert the battery cartridge.

► **Fig.1:** 1. Lock 2. Battery cover

Align the tongue on the battery cartridge with the groove in the housing and slip it into place. Insert it all the way until it locks in place with a little click. Then lock the battery cover.

► **Fig.2:** 1. Battery cartridge 2. Button

To remove the battery cartridge, slide it from the tool while sliding the button in front of the cartridge.

CAUTION: Always install the battery cartridge fully. If not, it may accidentally fall out of the cleaner, causing injury to you or someone around you.

CAUTION: Do not install the battery cartridge forcibly. If the cartridge does not slide in easily, it is not being inserted correctly.

NOTE: The cleaner does not work with only one battery cartridge.

Indicating the remaining battery capacity

Press the check button on the battery cartridge to indicate the remaining battery capacity. The indicator lamps light up for a few seconds.

► **Fig.3:** 1. Indicator lamps 2. Check button

Indicator lamps			Remaining capacity
Lighted	Off	Blinking	
■	□	◐	75% to 100%
■ ■ ■ ■			
■ ■ ■	□		50% to 75%
■ ■	□ □		25% to 50%
■	□ □ □		0% to 25%
◐	□ □ □		Charge the battery.
■ ■ □ □	□ □	■ ■	The battery may have malfunctioned.
	↑ ↓		

NOTE: Depending on the conditions of use and the ambient temperature, the indication may differ slightly from the actual capacity.

NOTE: The first (far left) indicator lamp will blink when the battery protection system works.

Battery indicators on control panel

The remaining battery capacity can be read on the control panel at any time. Press the check button, and the left and right indicators will show the battery charge levels correspondingly.

► **Fig.4:** 1. Left battery indicator 2. Right battery indicator 3. Check button

► **Fig.5**

Battery indicator status			Remaining battery capacity
On	Off	Blinking	
			50% to 100%
			20% to 50%
			0% to 20%
			Charge the battery
			Battery not inserted

NOTE: Battery indicator works while two batteries are inserted.

NOTE: The battery indicators will also be activated when the cleaner starts functioning.

Appliance / battery protection system

The appliance is equipped with an appliance/battery protection system. This system automatically cuts off power to the motor to extend appliance and battery life. The appliance will automatically stop during operation if the appliance or battery is placed under one of the following conditions:

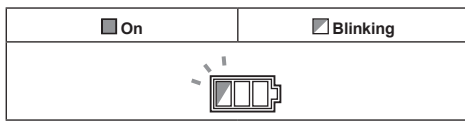
Overload protection

When the appliance/battery is operated in a manner that causes it to draw an abnormally high current, the appliance automatically stops. In this situation, turn the appliance off and stop the application that caused the appliance to become overloaded. Then turn the appliance on to restart.

Overheat protection

On	Blinking

When the appliance is overheated, the appliance stops automatically, and both left and right battery indicators blink. In this situation, let the appliance cool down and clean out the filters before turning the appliance on again.



When the battery is overheated, the appliance stops automatically, and one of the indicators for overheated battery blinks. In this situation, let the battery cool down before turning the appliance on again.

Overdischarge protection

When the battery capacity becomes low, the appliance stops automatically. If the appliance does not run along with the switch operation, remove the batteries from the appliance and recharge them.

Protections against other causes

Protection system is also designed for other causes that could damage the appliance and allows the appliance to stop automatically. Take all the following steps to clear the causes, when the appliance has been brought to a temporary halt or stop in operation.

1. Turn the appliance off, and then turn it on again to restart.
2. Charge the battery(ies) or replace it/them with recharged battery(ies).
3. Let the appliance and battery(ies) cool down.

If no improvement can be found by restoring protection system, then contact your local Makita Service Center.

Switch action

Turning cleaner on

1. Turn the stand-by switch in the "I" (ON) or "AUTO" (ON) position to have the cleaner ready in stand-by mode.
2. Press the power button.
To switch back to stand-by mode, press the power button again.

Turning cleaner off

Perform one of the following steps.

- Press the power button to set the cleaner back in stand-by mode.
- Turn the stand-by switch in the "O" (OFF) position.

Adjusting suction power

The suction power can be adjusted according to your work needs.

- Turn the suction force adjusting knob to the left to reduce the suction power.
- Turn the suction force adjusting knob to the right to increase the suction power.

Hose diameter selection

Turn the hose diameter selection dial to the hose's diameter that you are going to use.

NOTE: Do not turn the dial to a gap between the numbers. Always turn the dial according to the hose diameter.

- **Fig.6:** 1. Stand-by switch 2. Suction force adjusting knob 3. Hose diameter selection dial 4. Power button

NOTICE: Always set the stand-by switch to the "O" side when not using the cleaner for long time. The cleaner consumes power during stand-by state.

Warning beep

There are two types of beeping sound. One is short beeps, and the other is continuous beeps.

- When the air flow speed falls under 20 m/s, the cleaner emits short warning beeps for safety reasons. When it sounds, check the hose diameter selection dial or if the suction force is not too low. If the beeps keep sounding, perform maintenance or ask your local service center.
- When the tank is filled with liquid, the cleaner emits continuous warning beeps and stops automatically.
After the cleaner stops, switch off the cleaner and empty the tank.

Auto-suction stop during wet suction operation

⚠WARNING: Do not pick up foam or soapy liquid. It can cause foam to come out of air exit. Continuous use under such conditions may cause an electric shock and breakage of the cleaner.

The cleaner has a mechanism that prevents water from immersing into the motor when picking up more than a certain amount of water.

When the tank is full with liquid, the cleaner emits continuous warning beeps and stops automatically. After the cleaner stops, switch off the cleaner and empty the tank.

Filter cleaning system

This appliance has filter cleaning system. During the use of the appliance, filter cleaning system dusts the filters automatically to prevent the suction force lowering because of clogging of filters.

If the appliance sucks up the large quantity of dust all at once, suction force may decrease. In that case, manual filter cleaning is recommended.

1. Switch off the appliance.
2. Set the suction power to maximum, and then close the suction hose opening with your palm.
3. Switch on the appliance and operate for approximately 15 seconds with the suction hose opening closed.

► **Fig.7:** 1. Suction hose opening

NOTE: Air volume may change while the filter cleaning system is being activated but it is not malfunctioned.

Water drain

When the tank is full with liquid, switch off the cleaner and open the water drain cap to empty the tank.

► **Fig.8:** 1. Water drain cap

Cap

The cap is supplied with the appliance. Mounting the cap on the hose connecting port prevents the vacuumed dust from getting out from the cleaner.

► **Fig.9:** 1. Cap

Locking and unlocking casters

Front casters can be locked with stoppers to help the cleaner stand still.

Lower the stopper lever by hand to lock the caster, and raise it up to release.

► **Fig.10:** 1. Caster 2. Stopper lever 3. Unlocked position 4. Locked position

NOTE: When moving the cleaner, make sure that the caster is unlocked. Moving the cleaner with the caster in a locked position may cause damage to the caster.

Carriage handle

CAUTION: Lift and carry the appliance with due care. Failing to do so may result in personal injury or damage to the appliance.

When carrying the cleaner, carry it by holding the handle on the head unit. The handle is retractable on the head unit when not in use.

► **Fig.11**

If it is difficult to carry the appliance by yourself, carry it by two people as shown in the figure.

► **Fig.12**

► **Fig.13**

ASSEMBLY

WARNING: This unit may contain hazardous dust. When replacing filter elements and dust bag or maintenance, always use a P2-respirator.

CAUTION: Always be sure that the appliance is switched off and the battery cartridges are removed before carrying out any work on the appliance.

Installing and disposing filter bag

WARNING: Always use a P2-respirator.

WARNING: Before using a filter bag, make sure that the filter unit is used together. Failure to use the filter unit together may cause unusual noise and heat, resulting in a fire.

WARNING: When using the appliance as dust class M, always make sure to use filter bag.

NOTICE: Never pick up water or other liquids or wet dusts when using a filter bag. Picking up such things may cause the filter bag breakage.

1. Release the locking hooks and lift the head unit up off the tank.

► **Fig.14:** 1. Locking hook

2. Unfold a filter bag.

3. Align the filter bag opening with the dust intake of the tank.

4. Insert the cardboard of the filter bag onto the tool so that it is positioned at the end beyond the detent protrusion.

► **Fig.15:** 1. Filter bag 2. Cardboard opening 3. Filter bag holder 4. Dust intake 5. Edge

When disposing the filter bag, pull the edge on the filter bag's mouth so that the mouth is closed by a paper.

Installing polyethylene bag

Optional accessory

Lay a polyethylene bag over the tank, and slip one side of the top edge of the bag at its open end in between the holder plate and the front wall of the tank.

Then, spread the other top edges of the bag outwards over the top rims of the tank.

Polyethylene bag can be used with filter bag.

► **Fig.16:** 1. Holder plate 2. Front wall of tank 3. Polyethylene bag

NOTE: A polyethylene bag available on the market can be used. The thickness is over 0.04 mm and the perimeter is over 2,000 mm one is recommended.

NOTE: Too much dust will tear the polyethylene bag easily, so do not overfill the bag. Disposing the heavy bag may be a burden on a human body.

Emptying tank with polyethylene bag

WARNING: Always make sure that the cleaner is switched off and the battery cartridges are removed before emptying the tank. Failure to do so may cause an electric shock and serious personal injury.

NOTICE: Empty the tank at least once a day although this depends on picked-up dust volume in the tank. Or, the suction force will weaken and the motor may be broken.

NOTICE: Do not grab the locking hooks when emptying the tank. Grabbing the locking hooks may cause them to break.

1. Release the locking hooks and lift the head unit up off the tank.

2. Remove the polyethylene bag out of the tank, closing the opening of the bag by hand.

► **Fig.17:** 1. Polyethylene bag 2. Tank

NOTE: Take the polyethylene bag out of the tank carefully to avoid it from being scratched and torn by the edges inside the tank.

NOTE: Empty the polyethylene bag before it becomes full. Too much dust in the tank may cause the polyethylene bag to be torn.

Installing hose

NOTICE: Never force the hose for bending or stamp it. Never move the cleaner by pulling the hose. Forcing, stamping and pulling the hose may cause a breakage or deformation of the hose.

NOTICE: When picking up large wastes such as planer carvings, concrete dusts or similar other than small wastes, use the 38 mm inner diameter hose (optional accessory). Using the 28 mm inner diameter hose (optional accessory) may cause a hose stuffing and damage.

NOTICE: Always put the cap on the mounting port whenever you remove the hose from the cleaner.

Connection to cleaner

Remove the cap from the mounting port. The cap can be stored at the rear of the cleaner while the hose is connected to the cleaner.

► **Fig.18:** 1. Cap

Insert the hose end to the dust intake (hose inlet) of the cleaner, then turn it clockwise until it locks in place.

► **Fig.19:** 1. Hose 2. Dust intake (hose inlet)

Connections with your work tools (Country specific)

By connecting the vacuum cleaner to any available work tools compatible with the cleaner, it works as a dust extractor for your power tools.

Select one of the front cuffs or joints (optional accessories) as most suitable for your tool model. Place the cuffs or joint, as necessary, between the front end of the cleaner hose and a dust extraction port of your tool.

► **Fig.20:** 1. Front cuffs or joint 2. Cleaner hose
3. Power tool 4. Vacuum cleaner

Installing or removing cleaner attachments

CAUTION: After installing an attachment, check if it is securely installed. If the attachment is installed imperfectly, it may come off and cause personal injury.

Attachments without lock function

Optional accessory

Insert an attachment into the suction inlet of the cleaner by pushing and hand screwing it in place.

Hand twist and pull the attachment apart from the suction inlet after use.

► **Fig.21**

Installing MAKPAC

Optional accessory

CAUTION: Do not stand on or sit on the top of the appliance. It may fall down because of instability.

CAUTION: Be careful with the operation when installing MAKPAC. Failing to do so may result in personal injury or damage to the appliance.

CAUTION: When MAKPAC is installed on the appliance, do not lift the appliance with the handle of MAKPAC.

CAUTION: When moving the appliance which is installed MAKPAC, do not push MAKPAC but the body of appliance. Pushing MAKPAC may break the latches and drop MAKPAC, which may result in personal injury.

Connectable and stackable MAKPAC storage cases can be installed on top of the cleaner. The cases are available in many sizes and styles to suit your preferences.

1. Unfold the latches on top surface of the cleaner.

► **Fig.22:** 1. Latch

2. Mount the MAKPAC cases on top of the cleaner and fix it with latches.

► **Fig.23:** 1. Latch 2. MAKPAC

Maximum height and weight of installing MAKPAC are 315 mm and 20 kg respectively.

► **Fig.24**

OPERATION

WARNING: Always use a P2-respirator.

CAUTION: If foam or liquid escapes from the tool, switch off immediately. Continuing to use in this condition may cause an electric shock and breakage of the cleaner.

WIRELESS ACTIVATION FUNCTION

Optional accessory

What you can do with the wireless activation function

The wireless activation function enables clean and comfortable operation. By connecting a supported tool to the cleaner, you can run the cleaner automatically along with the switch operation of the tool.

► **Fig.25**

NOTICE: Be sure to refer to the instruction manual of the tool when using the cleaner with wireless activation function.

NOTICE: Do not disassemble or tamper with the wireless unit.

NOTICE: To prevent dust coming into the slot of the wireless unit, always close the lid securely during operation and storage.

NOTICE: Do not press the wireless activation button too hard and/or press the button with an object with a sharp edge.

NOTE: Wireless activation needs Makita tools equipped with the wireless unit.

NOTE: Prior to the initial use of the wireless activation function with each tool, the tool registration is required. Once the registration is finished with the tool, the re-registration is not required unless it is cancelled.

NOTE: Before registration, be sure that the wireless unit is properly inserted.

NOTE: One wireless unit can register up to 10 links with other wireless units. If more than 10 other wireless units are registered to one wireless unit, the one registered earliest will be cancelled automatically.

NOTE: The position of the wireless activation button varies depending on the tool.

NOTE: The cleaner also starts by pressing the power button when the stand-by switch is set to "AUTO". However the power button will not actuate when the wireless activation function is used.

Installing the wireless unit

⚠ WARNING: Open the lid when you install the wireless unit at the first time only. Never open the lid after installing it.

⚠ CAUTION: Place the cleaner on a flat and stable surface when installing the wireless unit.

NOTICE: Clean the dust and dirt on the cleaner before installing the wireless unit. Dust or dirt may cause malfunction if it comes into the slot of the wireless unit.

NOTICE: To prevent the malfunction caused by static, touch a static discharging material, such as a metallic part, before picking up the wireless unit.

NOTICE: When installing the wireless unit, always be sure that the wireless unit is inserted in the correct direction and the lid is completely closed.

1. Loosen the screw to open the lid on the cleaner as shown in the figure.
▶ **Fig.26:** 1. Lid 2. Screw

2. Insert the wireless unit to the slot.

When inserting the wireless unit, align the projections with the recessed portions on the slot.

- ▶ **Fig.27:** 1. Wireless unit 2. Projection 3. Lid
4. Recessed portion

3. Tighten the screw completely to close the lid.

Tool registration for the cleaner

NOTE: A Makita tool supporting the wireless activation function is required for the tool registration.

NOTE: Finish installing the wireless unit to the tool before starting the tool registration.

NOTE: During the tool registration, do not pull the switch trigger on the tool or turn on the power switch on the cleaner.

NOTE: Refer to the instruction manual of the tool, too.

If you wish to activate the cleaner along with the switch operation of the tool, finish the tool registration beforehand.

1. Install the wireless units to the cleaner and the tool, respectively.
2. Install the batteries to the cleaner and the tool.
3. Set the stand-by switch on the cleaner to "AUTO".
▶ **Fig.28:** 1. Stand-by switch
4. Press the wireless activation button on the cleaner for 3 seconds until the wireless activation lamp blinks in green. And then press the wireless activation button on the tool in the same way.
▶ **Fig.29:** 1. Wireless activation button 2. Wireless activation lamp

If the cleaner and the tool are linked successfully, the wireless activation lamps will light up in green for 2 seconds and start blinking in blue.

NOTE: The wireless activation lamps finish blinking in green after 20 seconds elapsed. Press the wireless activation button on the tool while the wireless activation lamp on the cleaner is blinking. If the wireless activation lamp does not blink in green, push the wireless activation button briefly and hold it down again.

NOTE: When performing two or more tool registration for the cleaner, finish the tool registration one by one.

Starting the wireless activation function

NOTE: Finish the tool registration for the cleaner for wireless activation.

NOTE: Always place the cleaner so that you can see the status of the wireless activation lamp.

NOTE: Refer to the instruction manual of the tool, too.

After registering a tool to the cleaner, the cleaner will automatically runs along with the switch operation of the tool.

1. Install the wireless units to the cleaner and the tool, respectively.
2. Install the batteries to the cleaner and the tool.
3. Connect the hose of the cleaner with the tool.
▶ **Fig.30**
4. Set the stand-by switch on the cleaner to "AUTO".
▶ **Fig.31:** 1. Stand-by switch

5. Push the wireless activation button on the tool briefly. The wireless activation lamp will blink in blue.

► **Fig.32:** 1. Wireless activation button 2. Wireless activation lamp

6. Turn on the tool. Check if the cleaner runs while the tool is operating.

CAUTION: Always check if the wireless activation function works before starting a work with the tool.

To stop the wireless activation, push the wireless activation button on the tool, or set the stand-by switch on the cleaner to "I" or "O".

NOTE: The wireless activation lamp on the tool will stop blinking in blue when there is no operation for 2 hours. In this case, set the stand-by switch on the cleaner to "AUTO" and press the wireless activation button on the tool again.

NOTE: The cleaner starts/stops with a delay. There is a time lag when the cleaner detects a switch operation of the tool.

NOTE: The transmission distance of the wireless unit may vary depending on the location and surrounding circumstances.

NOTE: When two or more tools are registered to one cleaner, the cleaner may start running even if you do not turn on the tool because other user is using the wireless activation function.

Cancelling tool registration for the cleaner

Perform the following procedure when cancelling the tool registration for the cleaner.

1. Install the wireless units to the cleaner and the tool, respectively.
2. Install the batteries to the cleaner and the tool.
3. Set the stand-by switch on the cleaner to "AUTO".

► **Fig.33:** 1. Stand-by switch

4. Press the wireless activation button on the cleaner for 6 seconds. The wireless activation lamp blinks in green and then become red. After that, press the wireless activation button on the tool in the same way.

► **Fig.34:** 1. Wireless activation button 2. Wireless activation lamp

If the cancellation is performed successfully, the wireless activation lamps will light up in red for 2 seconds and start blinking in blue.

NOTE: The wireless activation lamps finish blinking in red after 20 seconds elapsed. Press the wireless activation button on the tool while the wireless activation lamp on the cleaner is blinking. If the wireless activation lamp does not blink in red, push the wireless activation button briefly and hold it down again.

Erasing all tool registrations

You can erase all tool registrations from the cleaner as follows.

► **Fig.35:** 1. Stand-by switch 2. Wireless activation button 3. Wireless activation lamp











1. Install the wireless unit to the cleaner.
2. Install the batteries to the cleaner.
3. Set the stand-by switch to "AUTO".
4. Hold down the wireless activation button for about 6 seconds until the wireless activation lamp blinks in red (about twice per one second).
5. When the wireless activation lamp starts blinking in red, release your finger from the wireless activation button. Thereafter, hold down the wireless activation button again for about 6 seconds.
6. When the wireless activation lamp starts blinking fast (about 5 times per one second) in red, release your finger from the wireless activation button. When the wireless activation lamp lights up in red and later lights off, all tool registrations are erased.

NOTE: If the wireless activation lamp does not blink in red, press the wireless activation button briefly and try again.

Description of the wireless activation lamp status

► **Fig.36:** 1. Wireless activation button 2. Wireless activation lamp

The wireless activation lamp shows the status of the wireless activation function. Refer to the below table for the meaning of the lamp status.

Status	Wireless activation lamp			Description
	Color	 On	 Blinking	
Standby	Blue		Cleaner: continuing Tool: 2 hours	Waiting for the tool registration or the wireless activation function is available. The lamp on the cleaner blinks when the stand-by switch is set in AUTO. The lamp on the tool blinks when the wireless activation button is pushed. The lamp on the tool will automatically turn off when no operation is performed for 2 hours.
			When the tool is running.	The wireless activation of the cleaner is available and the tool is running.
Tool registration	Green		20 seconds	Ready for the tool registration. Searching the tool to be registered.
			2 seconds	The tool registration has been finished. The wireless activation lamp will start blinking in blue.
Cancelling/ erasing/ tool registration	Red	 (slow: 2 times/sec.)	20 seconds	Ready for the cancellation of the tool registration. Searching the tool to be cancelled.
		 (fast: 5 times/sec.)	When the wireless activation button is pressed down.	Ready to erase all tool registrations.
			2 seconds	The tool registration has been cancelled/erased. The wireless activation lamp will start blinking in blue.
Others	Red		3 seconds	The power is supplied to the wireless unit and the wireless activation function is starting up.
	Off	-	-	The stand-by switch is not set to "AUTO".

Troubleshooting for wireless activation function

Before asking for repairs, conduct your own inspection first. If you find a problem that is not explained in the manual, do not attempt to dismantle the tool. Instead, ask Makita Authorized Service Centers, always using Makita replacement parts for repairs.

State of abnormality	Probable cause (malfunction)	Remedy
The wireless activation lamp does not light/blink.	The wireless unit is not installed into the cleaner and/or the tool. The wireless unit is improperly installed into the cleaner and/or the tool.	Install the wireless unit correctly.
	The wireless activation button on the tool has not been pushed.	Push the wireless activation button on the tool briefly.
	The stand-by switch on the cleaner is not set to "AUTO".	Set the stand-by switch on the cleaner to "AUTO".
	No power supply	Supply the power to the tool and the cleaner.
Cannot finish tool registration / cancelling tool registration successfully.	The wireless unit is not installed into the cleaner and/or the tool. The wireless unit is improperly installed into the cleaner and/or the tool.	Install the wireless unit correctly.
	The stand-by switch on the cleaner is not set to "AUTO".	Set the stand-by switch on the cleaner to "AUTO".
	No power supply	Supply the power to the tool and the cleaner.
	Incorrect operation	Push the wireless activation button briefly and perform the tool registration/cancellation procedures again.
	The tool and cleaner are away from each other (out of the transmission range).	Get the tool and the cleaner closer to each other. The maximum transmission distance is approximately 10 m however it may vary according to the circumstances.
	Before finishing the tool registration/cancellation; - the switch of the tool is turned on or; - the power button on the cleaner is turned on.	Push the wireless activation button briefly and perform the tool registration/cancellation procedures again.
	The tool registration procedures for the tool or the cleaner has not finished.	Perform the tool registration procedures for the tool and the cleaner at the same timing.
	Radio disturbance by other appliances which generate high-intensity radio waves.	Keep the tool and the cleaner away from the appliances such as Wi-Fi devices and microwave ovens.
The cleaner does not run along with the switch operation of the tool.	The wireless unit is not installed into the cleaner and/or the tool. The wireless unit is improperly installed into the cleaner and/or the tool.	Install the wireless unit correctly.
	The wireless activation button on the tool has not been pushed.	Push the wireless activation button briefly and make sure that the wireless activation lamp is blinking in blue.
	The stand-by switch on the cleaner is not set to "AUTO".	Set the stand-by switch on the cleaner to "AUTO".
	More than 10 tools are registered to the cleaner.	Perform the tool registration again. If more than 10 tools are registered to the cleaner, the tool registered earliest will be cancelled automatically.
	The cleaner erased all tool registrations.	Perform the tool registration again.
	No power supply	Supply the power to the tool and the cleaner.
	The tool and cleaner are away from each other (out of the transmission range).	Get the tool and the cleaner closer to each other. The maximum transmission distance is approximately 10 m however it may vary according to the circumstances.
	Radio disturbance by other appliances which generate high-intensity radio waves.	Keep the tool and the cleaner away from the appliances such as Wi-Fi devices and microwave ovens.
The cleaner runs while the tool is not operating.	Other users are using the wireless activation of the cleaner with their tools.	Turn off the wireless activation button of the other tools or cancel the tool registration of the other tools.
Cannot erase all tool registrations in the cleaner.	Pressing the wireless button on the tool.	Press the wireless button on the cleaner for erasing all tool registrations.
	The stand-by switch on the cleaner is not set to "AUTO".	Set the stand-by switch on the cleaner to "AUTO".
	The wireless activation button is not held down correctly.	Hold down the wireless activation button for more than 6 seconds and then release it when the wireless activation lamp blinks in red. Hold down the wireless activation button for more than 6 seconds again until the wireless activation button rapidly blinks in red and then release the button.

MAINTENANCE

⚠ WARNING: Always use a P2-respirator during performing maintenance.

⚠ CAUTION: Always be sure that the appliance is switched off and the battery cartridges are removed before attempting to perform inspection or maintenance.

⚠ CAUTION: A technical inspection, including inspection of filters, air tightness, and control mechanism, must be performed at least once a year by an instructed person.

⚠ CAUTION: During maintenance, all contaminated items which cannot be satisfactorily cleaned must be disposed. Such items must be disposed of in impervious bags which accord with your country's regulations.

⚠ CAUTION: After the operation in the hazardous area, the outside of the tool must be decontaminated by vacuum cleaning methods and wiped clean or treated with sealant before you take the tool out of a hazardous area. All the parts of the tool must be regarded as contaminated when removed from the hazardous area, and appropriate action must be taken to prevent dust dispersal.

⚠ CAUTION: Change filters when filters are clogged with dust or you feel that the cleaner's performance declined.

⚠ CAUTION: Check the filters periodically. If there is a tear on filters, replace them immediately.

NOTICE: Never use gasoline, benzine, thinner, alcohol or the like. Discoloration, deformation or cracks may result.

To maintain product SAFETY and RELIABILITY, repairs, any other maintenance or adjustment should be performed by Makita Authorized or Factory Service Centers, always using Makita replacement parts.

Removing the filter unit

⚠ CAUTION: Wait for about 5 minutes so that dust in the tank completely settles down.

⚠ CAUTION: Be careful not to let the dust enter inside the tank cover when removing the filter unit.

The filter unit is attached on the head unit. It consists of top plate, prefilters, dampers and powder filters.

1. Release the locking hooks and lift the head unit up off the tank.

2. Remove the filter unit from the head unit as shown in the figure.

► **Fig.37:** 1. Latch 2. Filter unit

Removing powder filter and prefilter

Picking up the knob and remove filters from the top plate.

► **Fig.38:** 1. Top plate 2. Filters 3. Knob

To prevent dusts from floating in the air, removing filters in the polyethylene bag is preferable.

When carrying the filter unit in order to clean out, tie a polyethylene bag firmly.

► **Fig.39:** 1. Filter unit 2. Polyethylene bag

► **Fig.40:** 1. Top plate 2. Filters 3. Polyethylene bag

Cleaning of powder filter, prefilter and damper

Clean out the filters and damper from time to time. Clogged filters and damper may result in poor suction performance.

Regularly clean out the accumulated dust of filters and damper.

Occasionally wash the powder filter, prefilter and damper in water, rinse and dry thoroughly in the shade before use. Never wash them in a washing machine.

► **Fig.41**

NOTE: Do not rub or scratch the powder filter, the prefilter and the damper with hard objects such as a brush and a paddle.

NOTE: The filters wear out in course of time. It is recommended to have some spares for them.

Installing powder filter and prefilter

NOTICE: The powder filter and prefilter can pick up both dry dusts and wet dusts. Make sure that the water level sensors activate properly to prevent the powder filter breakage.

Hook the edges of the filter unit to the top plate, and then lower the knob.

► **Fig.42:** 1. Edge 2. Knob

NOTICE: Before using the powder filter, make sure that prefilter and damper are used together. It is not allowed to install powder filter alone.

Assembling the filters

When you get the filters separately, assemble them as shown in the figure.

► **Fig.43:** 1. Powder filter 2. Damper 3. Prefilter

Installing the filter unit

After installing the filters to the top plate, hook the holes of the filter unit to the U-shaped parts of the inner cover. Then, lock the latch as shown in the figure.

► **Fig.44:** 1. U-shaped part 2. Hole 3. Latch

Installing water filter

Optional accessory

NOTICE: For picking up wet dust, make sure that the water level sensors activate properly.

NOTICE: Do not use prefilter and damper when using water filter.

To pick up water or wet dust only, the water filter is more suitable than the powder filter and prefilter.

When installing the water filter, fit the water filter to the top plate same as powder filter and prefilter.

► Fig.45

NOTE: It is recommended that using water filter when picking up large amount of water repeatedly. Otherwise vacuum ability may be reduced in case of the powder filter and prefilter.

Cleaning the water level sensors

The water level sensors detect liquid when the tank becomes full with liquid. Clean the water level sensors with a soft cloth from time to time when changing filters.

► Fig.46: 1. Water level sensor

Storage of accessories

Accessories and attachments not in use, such as nozzles, pipes and a cap can be stored hanging on the hook at the rear of the cleaner.

► Fig.47: 1. Accessory and attachment not in use
2. Cap

Pipes (with an optional stopper installed) can be placed into the pipe holder when not using the cleaner for a short time.

► Fig.48: 1. Stopper (optional accessory) 2. Pipe holder

A hose can be wrapped and stored around the housing or handle of the cleaner in large loops. Connect its both ends together to make loops and hook the loops onto the handle raised up. Alternatively, keep its root end installed in the hose inlet and hang the loops on the multi hook with the loose end tied up.

► Fig.49

► Fig.50

OPTIONAL ACCESSORIES

CAUTION: These accessories or attachments are recommended for use with your Makita tool specified in this manual. The use of any other accessories or attachments might present a risk of injury to persons. Only use accessory or attachment for its stated purpose.

If you need any assistance for more details regarding these accessories, ask your local Makita Service Center.

- Hose
- Front cuffs (22, 24, 38)
- Straight pipe
- Corner nozzle
- Round brush
- Powder filter M, H (HEPA)
- Damper
- Prefilter
- Water filter
- Nozzle assembly
- Bent pipe
- Polyethylene bag
- Filter bag
- Cap
- Makita genuine battery and charger
- Wireless unit
- MAKPAC

NOTE: Some items in the list may be included in the tool package as standard accessories. They may differ from country to country.

OSTRZEŻENIE

- To urządzenie nie jest przeznaczone do użytkowania przez osoby, w tym dzieci, o ograniczonej sprawności ruchowej, sensorycznej lub umysłowej oraz osoby nieposiadające odpowiedniej wiedzy i doświadczenia.
- Należy zwracać uwagę, aby dzieci nie bawiły się odkurzaczem.
- Informacje na temat zalecanych akumulatorów zawiera rozdział „DANE TECHNICZNE”.
- Sposób montażu i demontażu opisano w punkcie „Wkładanie i wyjmowanie akumulatora”.
- Jeśli zajdzie konieczność utylizacji akumulatora, należy wyjąć go z narzędzia i przekazać w bezpieczne miejsce. Postępować zgodnie z przepisami lokalnymi dotyczącymi usuwania akumulatorów.
- Jeśli narzędzie nie będzie używane przez dłuższy czas, należy wyjąć z niego akumulator.
- Nie doprowadzać do zwarcia akumulatora.
- Szczegółowe informacje na temat środków ostrożności podczas konserwacji wykonywanej przez użytkownika zawiera rozdział „KONSERWACJA”.

DANE TECHNICZNE

Model:		VC006GM
Maksymalny przepływ powietrza na końcu węża	Z BL4050F, wąż ø28 mm x 3,5 m	2,0 m ³ /min
	Z BL4050F, wąż ø38 mm x 2,5 m	3,7 m ³ /min
Maksymalny przepływ powietrza w turbinie (z BL4050F)		4,9 m ³ /min
Podciśnienie (z BL4050F)		18 kPa
Pojemność	Pył	40 l
	Woda	30 l
Wymiary (dług. x szer. x wys.)		586 mm x 385 mm x 598 mm
Napięcie znamionowe		Prąd stały 72 V–80 V maks.
Ciężar netto		18,4–20,8 kg
Stopień ochrony		IPX4

- W związku ze stale prowadzonym przez naszą firmę programem badawczo-rozwojowym niniejsze dane mogą ulec zmianom bez wcześniejszego powiadomienia.
- Dane techniczne mogą różnić się w zależności od kraju.
- Waga nie uwzględnia akcesoriów (oprócz akumulatorów). Wagi najlżejszych i najcięższych kombinacji urządzenia z akumulatorami przedstawiono w tabeli.

Kompatybilne akumulatory i ładowarki

Akumulator	BL4020 / BL4025 / BL4040* / BL4050F* / BL4080F* *: Zalecany akumulator
Ładowarka	DC40RA / DC40RB / DC40RC

- Pewne z wymienionych powyżej akumulatorów i ładowarek mogą być niedostępne w regionie zamieszkania użytkownika.

▲OSTRZEŻENIE: Należy używać wyłącznie akumulatorów i ładowarek wymienionych powyżej.
Używanie innych akumulatorów i ładowarek może stwarzać ryzyko wystąpienia obrażeń ciała lub pożaru.

Symbole

Poniżej pokazano symbole, jakie mogą być zastosowane na urządzeniu. Przed rozpoczęciem użytkowania należy zapoznać się z ich znaczeniem.



Przeczytać instrukcję obsługi.



Zachować szczególną ostrożność.



Ostrzeżenie! W odkurzaczu może się znajdować niebezpieczny pył.



Nigdy nie stawać na odkurzaczu.



Nigdy nie umieszczać na odkurzaczu przedmiotów cięższych niż 20 kg (44 funty).



Klasa pyłu M (średni): rozdzielanie pyłu o wartości granicznej narażenia zawodowego nie mniejszej niż 0,1 mg/m³. Odkurzacze przeznaczone są do zbierania pyłu klasy L i M. Należy postępować zgodnie z krajowymi przepisami odnoszącymi się do pyłów oraz do bezpieczeństwa i higieny pracy.



Dotyczy tylko państw UE
Z uwagi na obecność w sprzęcie niebezpiecznych składników, zużyty sprzęt elektryczny, elektroniczny, akumulatory oraz baterie mogą powodować negatywny wpływ na środowisko i zdrowie ludzi. Nie wyrzucać urządzeń elektrycznych, elektronicznych lub akumulatorów wraz z odpadami z gospodarstwa domowego! Zgodnie z Europejską Dyrektywą w sprawie zużytego sprzętu elektrycznego i elektronicznego oraz dotyczącą akumulatorów i baterii oraz zużytych akumulatorów i baterii, a także dostosowaniem ich do prawa krajowego, zużyte urządzenia elektryczne, elektroniczne, baterie i akumulatory, należy składować osobno i przekazywać do punktu selektywnej zbiórki odpadów komunalnych, działającego zgodnie z przepisami dotyczącymi ochrony środowiska.
Informuje o tym symbol przekreślonego kołowego kontenera na odpady umieszczony na sprzęcie.

Przeznaczenie

Urządzenie przeznaczone jest do usuwania suchego i mokrego pyłu. Urządzenie jest przeznaczone do użytku komercyjnego, na przykład w hotelach, szkołach, szpitalach, fabrykach, sklepach, biurach oraz przez firmy świadczące usługi wynajmu.

Hałas

Typowy równoważny poziom dźwięku A określony w oparciu o normę EN60335-2-69:
Poziom ciśnienia akustycznego (L_{pA}): 70 dB(A) lub mniej
Niepewność (K): 2,5 dB(A)

Poziom hałasu podczas pracy może przekraczać 80 dB (A).

WSKAZÓWKA: Deklarowana wartość emisji hałasu została zmierzona zgodnie ze standardową metodą testową i można ją wykorzystać do porównywania narzędzi.

WSKAZÓWKA: Deklarowaną wartość emisji hałasu można także wykorzystać we wstępnej ocenie narażenia.

⚠️ OSTRZEŻENIE: Nosić ochronniki słuchu.

⚠️ OSTRZEŻENIE: Poziom hałasu wytwarzanego podczas rzeczywistego użytkowania elektronarzędzia może się różnić od wartości deklarowanej w zależności od sposobu użytkowania narzędzia, a w szczególności od rodzaju obrabianego elementu.

⚠️ OSTRZEŻENIE: W oparciu o szacowane narażenie w rzeczywistych warunkach użytkowania należy określić środki bezpieczeństwa w celu zapewnienia ochrony operatora (uwzględniając wszystkie elementy cyklu działania, tj. czas, kiedy narzędzie jest wyłączone i kiedy pracuje na biegu jałowym, a także czas, kiedy jest włączone).

Drgania

Całkowita wartość poziomu drgań (suma wektorów w 3 osiach) określona zgodnie z normą EN60335-2-69:
Emisja drgań (a_{h,M}): 2,5 m/s² lub mniej
Niepewność (K): 1,5 m/s²

WSKAZÓWKA: Deklarowana wartość poziomu drgań została zmierzona zgodnie ze standardową metodą testową i można ją wykorzystać do porównywania narzędzi.

WSKAZÓWKA: Deklarowaną wartość poziomu drgań można także wykorzystać we wstępnej ocenie narażenia.

⚠️ OSTRZEŻENIE: Drgania wytwarzane podczas rzeczywistego użytkowania elektronarzędzia mogą się różnić od wartości deklarowanej w zależności od sposobu użytkowania narzędzia, a w szczególności od rodzaju obrabianego elementu.

⚠️ OSTRZEŻENIE: W oparciu o szacowane narażenie w rzeczywistych warunkach użytkowania należy określić środki bezpieczeństwa w celu zapewnienia ochrony operatora (uwzględniając wszystkie elementy cyklu działania, tj. czas, kiedy narzędzie jest wyłączone i kiedy pracuje na biegu jałowym, a także czas, kiedy jest włączone).

Deklaracja zgodności WE

Dotyczy tylko krajów europejskich

Deklaracja zgodności WE jest dołączona jako załącznik A do niniejszej instrukcji obsługi.

OSTRZEŻENIA DOTYCZĄCE BEZPIECZEŃSTWA

Ostrzeżenia dotyczące bezpieczeństwa dla odkurzacza akumulatorowego

⚠ OSTRZEŻENIE: WAŻNE! UWAŻNIE
PRZECZYTAĆ wszystkie zasady bezpieczeństwa i zalecenia PRZED UŻYCIEM. Niezastosowanie się do wspomnianych ostrzeżeń i instrukcji może doprowadzić do porażenia prądem elektrycznym, pożaru i/ lub poważnych obrażeń ciała.

1. Odkurzacza mogą używać wyłącznie osoby odpowiednio przeszkolone.
2. Przed użyciem urządzenia operatorzy powinni otrzymać informacje, instrukcje i przeszkolenie w zakresie obsługi urządzenia oraz substancji, z którymi ma być ono używane, w tym na temat bezpiecznej metody usuwania i utylizacji zebranego materiału.
3. W przypadku gdy z odkurzacza wydostaje się piana/ciecz, należy niezwłocznie go wyłączyć.
4. Regularnie czyścić ogranicznik poziomu wody i sprawdzać pod kątem uszkodzeń.
5. Przed użyciem zawsze należy się upewnić, czy filtry są prawidłowo założone. Odkurzacza nie wolno używać bez włożonych filtrów. Uszkodzony filtr należy niezwłocznie wymienić. Zalecane jest zaopatrzenie się w kilka zapasowych filtrów, ponieważ są to części zużywające się.
6. **UNIKAĆ PRZYPADKOWEGO URUCHOMIENIA.** Podczas montażu akumulatorów należy upewnić się, że wyłącznik znajduje się w położeniu wyłączonym.
7. Nie podejmować próby wciągania odkurzaczem materiałów łatwopalnych, fajerwerków, zapalonych papierosów, gorącego popiołu, gorących wirów metalowych i ostrych przedmiotów, takich jak żyłki, igły czy rozbite szkło.
8. **NIGDY NIE UŻYWAĆ ODKURZACZA W POKŁADZIE ZBIORNIKÓW BENZYNY, GAZU, LAKIERU, KLEJU ANI INNYCH WYBUCHOWYCH SUBSTANCJI.** Włączenie/ wyłączenie przełącznika zasilania powoduje iskrzenie. Iskrzenie powoduje także komutator silnika. Może to być przyczyną wybuchu.
9. Nigdy nie wciągać odkurzaczem materiałów toksycznych, rakotwórczych, łatwopalnych ani innych materiałów niebezpiecznych, takich jak azbest, arsen, bar, beryl, ołów, pestycydy lub inne materiały niebezpieczne dla zdrowia.
10. Zawsze ustawiać odkurzacza na płaskiej poziomej powierzchni, aby uniknąć jego przypadkowego upadku lub przesunięcia.
11. Nigdy nie używać odkurzacza na zewnątrz podczas deszczu.
12. W przypadku Finlandii ta maszyna nie jest przeznaczona do użycia na zewnątrz w niskich temperaturach.
13. Nie używać w pobliżu źródeł ciepła (pieców itp.).
14. Jeśli powietrze wylotowe jest wprowadzane z powrotem do pomieszczenia, konieczne jest zapewnienie odpowiedniej wymiany powietrza w tym pomieszczeniu. Należy zapoznać się z odpowiednimi przepisami obowiązującymi w danym kraju.
15. Nie blokować otworu zasysania, otworu dmuchawy ani otworów chłodzenia. Zapewniają one chłodzenie silnika. Otwory wentylacyjne powinny być zawsze odsłonięte; w przeciwnym razie dojdzie do przepalenia się silnika w wyniku braku wentylacji.
16. Zawsze stać na pewnym podłożu i utrzymywać równowagę.
17. Nie zginać i nie szarpać węża ani nie stawać na nim.
18. **W przypadku zauważenia małej skuteczności działania lub innych nietypowych objawów natychmiast wyłączyć odkurzacza.**
19. **WYJĄC AKUMULATORY.** Gdy odkurzacza nie jest używany, podczas konserwacji oraz wymiany akcesoriów.
20. Po każdym użyciu natychmiast wyczyścić i wykonać konserwację w celu utrzymania urządzenia w idealnym stanie technicznym.
21. **STARANNIE WYKONYWAĆ CZYNNOŚCI KONSERWACYJNE.** Utrzymywać czystość odkurzacza, aby zapewnić lepsze i bezpieczniejsze działanie. Przestrzegać instrukcji wymiany akcesoriów. Utrzymywać rękojeści suche, czyste i niezabrudzone olejem ani smarem.
22. **SPRAWDZIĆ USZKODZONE CZĘŚCI.** Uszkodzoną osłonę lub inną część należy dokładnie sprawdzić przed dalszym użytkowaniem odkurzacza, aby mieć pewność, że będzie ona poprawnie działać i spełniać swoją funkcję. Należy sprawdzić narzędzie pod kątem nieprawidłowego ustawienia lub zablokowania elementów ruchomych, pęknięć części, zamocowania oraz innych usterek, które mogą mieć wpływ na jego działanie. Osłona lub inne uszkodzone części powinny zostać naprawione lub wymienione przez autoryzowany punkt serwisowy, o ile w instrukcji nie podano inaczej. Uszkodzone przełączniki powinny zostać wymienione w autoryzowanym punkcie serwisowym. Nie używać odkurzacza, jeśli nie działają funkcje przełącznika.
23. Podczas serwisu maszyna powinna być rozmontowywana, czyszczona i serwisowana w sposób uzasadniony ze względów praktycznych, bez stwarzania ryzyka dla personelu konserwacyjnego i innych osób.
24. Przynajmniej raz w roku producent lub poinstruowana osoba powinna przeprowadzić kontrolę techniczną urządzenia, polegającą na przykład na sprawdzeniu filtrów pod kątem uszkodzeń, szczelności urządzenia i prawidłowego działania mechanizmu kontrolnego.
25. Podczas wykonywania czynności serwisowych lub naprawczych wszystkie zanieczyszczone elementy, których nie można w sposób zadowalający wyczyścić, należy zutylizować; elementy te należy umieścić w nieprzepuszczalnych torbach zgodnie z obowiązującymi przepisami dotyczącymi utylizacji takich odpadów.
26. **CZĘŚCI ZAMIENNE.** Do wymiany należy używać tylko identycznych części zamiennych.

27. **PRZECHOWYWANIE ODKURZACZA.** Gdy odkurzacz nie jest używany, należy go przechowywać w pomieszczeniu.
28. Mokre filtry i części wewnętrzne zbiornika cieczy należy wysuszyć przed odłożeniem urządzenia do przechowywania.
29. Z odkurzaczem należy obchodzić się delikatnie. Niedbale i agresywne użytkowanie może spowodować uszkodzenie nawet najbardziej wytrzymałego odkurzacza.
30. Nie czyścić powierzchni zewnętrznych ani wewnętrznych benzyną, rozpuszczalnikiem ani chemicznymi środkami czyszczącymi. Mogą powstać pęknięcia i odbarwienia.
31. Nie używać odkurzacza w pomieszczeniach zamkniętych, w których występują łatwopalne, wybuchowe lub toksyczne opary farb olejnych, rozpuszczalników, benzyny, niektórych substancji przeciwmołowych itp. ani w miejscach, w których występuje łatwopalny pył.
32. Odkurzacza ani żadnego innego urządzenia nie wolno obsługiwać, będąc pod wpływem narkotyków lub alkoholu.
33. W ramach podstawowej ochrony nosić gogle lub okulary ochronne z osłonami bocznymi.
34. W miejscach silnie zapyłonych używać maski.
35. To urządzenie nie jest przeznaczone do użytkowania przez osoby, w tym dzieci, o ograniczonej sprawności ruchowej, sensorycznej lub umysłowej oraz osoby nieposiadające odpowiedniej wiedzy i doświadczenia.
36. Należy zwracać uwagę, aby dzieci nie bawiły się odkurzaczem.
37. Nie wolno obsługiwać odkurzacza ani akumulatorów mokrymi rękami.
38. Zachować szczególną ostrożność podczas sprzątania na schodach.
39. Nie używać odkurzacza jako stołka ani stołu warsztatowego. Urządzenie może się przewrócić i spowodować obrażenia.

Użytkowanie narzędzi akumulatorowych i dbałość o nie

1. Akumulator należy ładować wyłącznie przy użyciu określonej przez producenta ładowarki. Ładowarka przeznaczona do jednego typu akumulatora może stwarzać zagrożenie pożarem, gdy będzie używana do ładowania innego akumulatora.
2. Do zasilania elektronarzędzi używać tylko specjalnie do tego celu przeznaczonych akumulatorów. Używanie innych akumulatorów może stwarzać ryzyko wystąpienia obrażeń ciała lub pożaru.
3. Gdy akumulator nie jest używany, należy zabezpieczyć go przed kontaktem z metalowymi przedmiotami, typu spinacze, monety, klucze, gwoździe, wkręty lub innymi metalowymi drobiazgami, które mogą powodować zwarcie styków akumulatora. Zwarcie styków akumulatora grozi poparzeniami lub pożarem.
4. W niewłaściwych warunkach eksploatacji może dojść do wycieku elektrolitu z akumulatora. Nie należy go dotykać. W razie przypadkowego kontaktu należy przemyć skażoną skórę wodą. W przypadku dostania się elektrolitu do oczu należy dodatkowo skorzystać z porady lekarza. Elektrolit z akumulatora może powodować podrażnienia lub poparzenia.

5. Nie używać uszkodzonego lub przerobionego akumulatora ani narzędzia. Uszkodzone lub przerobione akumulatory mogą działać w nieprzewidywalny sposób i spowodować pożar, wybuch lub obrażenia ciała.
6. Nie wystawiać akumulatora ani narzędzia na działanie ognia ani nadmiernej temperatury. Narażenie na ogień lub temperaturę wyższą niż 130°C może spowodować wybuch.
7. Przestrzegać wszystkich instrukcji ładowania i nie ładować akumulatora ani narzędzia w temperaturze wykraczającej poza zakres określony w instrukcji. Nieprawidłowe ładowanie lub temperatury wykraczająca poza określony zakres mogą spowodować uszkodzenie akumulatora oraz wzrost zagrożenia pożarem.

ZACHOWAĆ NINIEJSZE INSTRUKCJE.

⚠ OSTRZEŻENIE: NIE WOLNO pozwolić, aby wygoda lub rutyna (nabyta w wyniku wielokrotnego używania urządzenia) zastąpiły ścisłe przestrzeganie zasad bezpieczeństwa obsługi. **NIEWŁAŚCIWE UŻYTKOWANIE** narzędzia lub nieostrożanie się do zasad bezpieczeństwa podanych w niniejszej instrukcji obsługi może prowadzić do poważnych obrażeń ciała.

Ważne zasady bezpieczeństwa dotyczące akumulatora

1. Przed użyciem akumulatora zapoznać się ze wszystkimi instrukcjami i znakami ostrzegawczymi na (1) ładowarce, (2) akumulatorze i (3) produkcie, w którym będzie używany akumulator.
2. Nie rozmontowywać ani modyfikować akumulatora. Może to spowodować pożar, przegrzanie lub wybuch.
3. Jeśli czas działania uległ znacznemu skróceniu, należy natychmiast przerwać pracę. Może bowiem dojść do przegrzania, ewentualnych poparzeń, a nawet eksplozji.
4. W przypadku przedostania się elektrolitu do oczu, przemyć je czystą wodą i niezwłocznie uzyskać pomoc lekarską. Może on bowiem spowodować utratę wzroku.
5. Nie doprowadzać do zwarcia akumulatora:
 - (1) Nie dotykać styków materiałami przewodzącymi prąd.
 - (2) Unikać przechowywania akumulatora w pojemniku z metalowymi przedmiotami, takimi jak gwoździe, monety itp.
 - (3) Chronić akumulator przed deszczem lub wodą.
 Zwarcie prowadzi do przepływu prądu elektrycznego o dużym natężeniu i przegrzania akumulatora, co w konsekwencji może grozić poparzeniami a nawet awarią urządzenia.
6. Narzędzia i akumulatora nie wolno przechowywać ani używać w miejscach, w których temperatura osiąga bądź przekracza 50°C (122°F).
7. Akumulatorów nie wolno spalać, również tych poważnie uszkodzonych lub całkowicie zużytych. Akumulator może eksplodować w ogniu.

8. **Nie należy przecinać ani zgniatać akumulatora, wbijać w niego gwoździ, rzucać nim, upuszczać, ani uderzać akumulatorem o twarde objekty.** Takie działania może spowodować pożar, przegrzanie lub wybuch.
9. **Nie wolno używać uszkodzonego akumulatora.**
10. **Stanowiące wyposażenie akumulatory litowo-jonowe podlegają przepisom dotyczącym produktów niebezpiecznych.**
Na potrzeby transportu komercyjnego, np. świadczonego przez firmy trzecie czy spedycyjne, należy przestrzegać specjalnych wymagań w zakresie pakowania i oznaczania etykietami. Przygotowanie produktu do wysyłki wymaga skonsultowania się ze specjalistą ds. materiałów niebezpiecznych. Należy także przestrzegać przepisów krajowych, które mogą być bardziej szczegółowe.
Zakleić taśmą lub zaślepić otwarte styki akumulatora oraz zabezpieczyć go, aby nie mógł się przesuwać w opakowaniu.

11. **Jeśli zajdzie konieczność utylizacji akumulatora, należy wyjąć go z narzędzia i przekazać w bezpieczne miejsce.** Postępować zgodnie z przepisami lokalnymi dotyczącymi utylizacji akumulatorów.
12. **Używać akumulatorów tylko z produktami określonymi przez firmę Makita.** Zastosowanie akumulatorów w niezgodnych produktach może spowodować pożar, przegrzanie, wybuch lub wyciek elektrolitu.
13. **Jeśli narzędzie nie będzie używane przez dłuższy czas, należy wyjąć z niego akumulator.**
14. **Przed użyciem akumulatora i po jego użyciu akumulator może pozostawać nagrany, co może spowodować poparzenia lub poparzenia w niskiej temperaturze.** Z gorącym akumulatorem należy obchodzić się ostrożnie.
15. **Nie należy dotykać styku narzędzia bezpośrednio po jego użyciu, ponieważ może on być na tyle gorący, że spowoduje oparzenia.**
16. **Nie należy dopuszczać, aby wióry, kurz lub brud gromadziły się na stykach, w otworach i rowkach akumulatora.** Może to doprowadzić do przegrzania, pożaru, wybuchu lub uszkodzenia narzędzia lub akumulatora, co może spowodować oparzenia lub obrażenia ciała.
17. **Jeśli narzędzie nie jest przeznaczone do użytku w pobliżu linii wysokiego napięcia, nie należy korzystać z akumulatora w ich sąsiedztwie.** Może to spowodować nieprawidłowości w działaniu lub uszkodzenie narzędzia lub akumulatora.
18. **Przechowywać akumulator w miejscu niedostępnym dla dzieci.**

ZACHOWAĆ NINIEJSZE INSTRUKCJE.

⚠️ PRZESTROGA: Używać wyłącznie oryginalnych akumulatorów firmy Makita. Używanie nieoryginalnych akumulatorów firm innych niż Makita lub akumulatorów, które zostały zmodyfikowane, może spowodować wybuch akumulatora i pożar, obrażenia ciała oraz zniszczenie mienia. Stanowi to również naruszenie warunków gwarancji firmy Makita dotyczących narzędzia i ładowarki.

Wskazówki dotyczące zachowania maksymalnej trwałości akumulatora

1. **Akumulator należy naładować zanim zostanie do końca rozładowany.** Po zauważeniu spadku mocy narzędzia należy przerwać pracę i naładować akumulator.
2. **Nie wolno ładować powtórnie w pełni naładowanego akumulatora.** Przeladowanie akumulatora skraca jego trwałość.
3. **Akumulator należy ładować w temperaturze pokojowej w przedziale 10–40°C (50–104°F).** W przypadku gorącego akumulatora przed przystąpieniem do ładowania należy poczekać, aż ostygnie.
4. **Jeśli akumulator nie jest używany, należy go wyjąć z narzędzia lub ładowarki.**
5. **Akumulatory nikielowo-wodorkowe należy naładować po okresie długiego nieużytkowania (dłuższego niż sześć miesięcy).**

Ważne zasady bezpieczeństwa dotyczące złącza bezprzewodowego

1. **Nigdy nie otwierać pokrywy gniazda samodzielnie po zamontowaniu złącza bezprzewodowego.**
2. **Nie rozmontowywać ani modyfikować złącza bezprzewodowego.**
3. **Trzymać złącze bezprzewodowe z dala od małych dzieci.** W przypadku przypadkowego połknięcia natychmiast skorzystać z pomocy medycznej.
4. **Używać złącza bezprzewodowego wyłącznie z narzędziami firmy Makita.**
5. **Nie narażać złącza bezprzewodowego na działanie deszczu lub niesprzyjających warunków atmosferycznych.**
6. **Nie używać złącza bezprzewodowego w miejscach, w których temperatura przekracza 50°C.**
7. **Nie obsługiwać złącza bezprzewodowego w miejscach, w których w pobliżu znajdują się przyrządy medyczne, takie jak rozruszniki serca.**
8. **Nie obsługiwać złącza bezprzewodowego w miejscach, w których w pobliżu znajdują się zautomatyzowane urządzenia.** W przypadku obsługi złącza bezprzewodowego w zautomatyzowanym urządzeniu może wystąpić usterka lub błąd.
9. **Nie używać złącza bezprzewodowego w miejscach, w których panuje wysoka temperatura lub takich, w których możliwe jest wygenerowanie ładunków elektrostatycznych lub zakłóceń elektrycznych.**
10. **Złącze bezprzewodowe może wytwarzać pole elektromagnetyczne, które nie jest szkodliwe dla użytkownika.**
11. **Złącze bezprzewodowe to czuły przyrząd.** Należy chronić złącze bezprzewodowe przed upadkiem i uderzeniami.
12. **Unikać dotknięcia zacisku złącza bezprzewodowego gołymi rękoma lub metalowymi materiałami.**
13. **W przypadku montażu złącza bezprzewodowego należy zawsze wyciągać akumulator z produktu.**

14. Podczas otwierania pokrywy gniazda unikać miejsc, w których pył i woda mogą przedostać się do gniazda. Zawsze utrzymywać wlot gniazda w czystości.
15. Zawsze wkładać złącze bezprzewodowe skierowane w odpowiednią stronę.
16. Nie naciskać zbyt mocno przycisku aktywacji bezprzewodowej na złączu bezprzewodowym i/lub nie naciskać przycisku za pomocą przedmiotu z ostrą krawędzią.
17. Zawsze zamykać pokrywę gniazda podczas pracy.
18. Nie usuwać złącza bezprzewodowego z gniazda, gdy zasilanie narzędzia jest włączone. Wykonanie tej czynności może spowodować usterkę złącza bezprzewodowego.
19. Nie usuwać naklejki ze złącza bezprzewodowego.
20. Nie umieszczać żadnej naklejki na złączu bezprzewodowym.
21. Nie pozostawiać złącza bezprzewodowego w miejscach, w których możliwe jest wygenerowanie ładunków elektrostatycznych lub szumów elektrycznych.
22. Nie pozostawiać złącza bezprzewodowego w miejscach narażonych na działanie wysokich temperatur, na przykład w samochodzie zaparkowanym w słońcu.
23. Nie pozostawiać złącza bezprzewodowego w miejscach, w których występuje kurz, pył lub gazy wykazujące właściwości korozyjne.
24. Nagła zmiana temperatury może spowodować pojawienie się rosy na złączu bezprzewodowym. Nie używać urządzenia, aż do momentu całkowitego osuszenia rosy.
25. W przypadku czyszczenia złącza bezprzewodowego delikatnie wytrzeć je przy użyciu miękkiej, suchej szmatki. Nie stosować benzyny, rozpuszczalnika, smaru przewodzącego prąd i innych podobnych substancji.
26. W przypadku przechowywania złącza bezprzewodowego umieścić je w dołączonej obudowie lub antystatycznym pojemniku.
27. Nie wkładać żadnych urządzeń innych niż złącze bezprzewodowe firmy Makita do gniazda w narzędziu.
28. Nie wolno używać narzędzia, gdy pokrywa gniazda jest uszkodzona. Woda, pył i zabrudzenia, które przedostaną się do gniazda, mogą spowodować usterkę.
29. Nie ciągnąć i/lub nie obracać nadmiernie pokrywy gniazda. Umieścić pokrywę w odpowiednim miejscu w przypadku zsunięcia się jej z narzędzia.
30. Wymienić pokrywę gniazda w przypadku jej zgubienia lub uszkodzenia.

ZACHOWAĆ NINIEJSZĄ INSTRUKCJĘ.

OPIS DZIAŁANIA

▲PRZESTROGA: Przed przystąpieniem do regulacji lub przeglądu urządzenia upewnić się, że jest ono wyłączone, a akumulatory zostały wyjęte.

Wkładanie i wyjmowanie akumulatora

▲PRZESTROGA: Przed włożeniem lub wyjęciem akumulatora należy zawsze wyłączyć narzędzie.

▲PRZESTROGA: Podczas wkładania lub wyjmowania akumulatora należy mocno trzymać odkurzacz i akumulator. W przeciwnym razie mogą się one wyslizgnąć z rąk, powodując uszkodzenie odkurzacza lub akumulatora i obrażenia ciała.

▲PRZESTROGA: Zachować ostrożność, aby podczas otwierania lub zamykania pokrywy akumulatora nie przytrzasnąć palców. Niezastosowanie się do tej zasady może spowodować obrażenia ciała.

Aby zamontować akumulator, należy w pierwszej kolejności zwolnić blokadę i otworzyć pokrywę akumulatora. Następnie należy wsunąć akumulator.

► **Rys.1:** 1. Blokada 2. Pokrywa akumulatora

Wyrównać występ na akumulatorze z rowkiem w obudowie i wsunąć go na swoje miejsce. Akumulator należy wsunąć do oporu, aż się zatrzaśnie na miejscu, co jest sygnalizowane delikatnym kliknięciem. Następnie zablokować pokrywę akumulatora.

► **Rys.2:** 1. Akumulator 2. Przycisk

Aby wyjąć akumulator, należy wysunąć go z narzędzia, przesuwając przycisk znajdujący się w przedniej części akumulatora.

▲PRZESTROGA: Akumulator zawsze należy wkładać do końca. W przeciwnym razie może on przypadkowo wypaść z odkurzacza, powodując obrażenia u operatora lub osób postronnych.

▲PRZESTROGA: Nie wkładać akumulatora na siłę. Jeśli akumulator nie daje się swobodnie wsunąć, oznacza to, że został włożony nieprawidłowo.

WSKAZÓWK: Odkurzacz nie działa w przypadku włożenia tylko jednego akumulatora.

Wskazanie stanu naładowania akumulatora

Nacisnąć przycisk kontrolny na akumulatorze w celu wyświetlenia stanu naładowania akumulatora. Lampki wskaźnika zaświecą się przez kilka sekund.

► **Rys.3:** 1. Lampki wskaźnika 2. Przycisk kontrolny

Lampki wskaźnika			Pozostała energia akumulatora
Świeci się	Wyłączony	Miga	
			75–100%
			50–75%
			25–50%
			0–25%
			Naładować akumulator.
			Akumulator może nie działać poprawnie.

WSKAZÓWKA: Zależnie od warunków użytkowania i temperatury otoczenia, wskaźwany poziom może nieznacznie się różnić od rzeczywistego stanu naładowania akumulatora.

WSKAZÓWKA: Pierwsza (skrajnie po lewej stronie) lampka wskaźnika miga, gdy układ zabezpieczenia akumulatora jest aktywny.

Wskaźniki akumulatorów na panelu sterowania

Pozostały stan naładowania akumulatora można odczytać w dowolnym czasie na panelu sterowania. Należy nacisnąć przycisk kontrolny; wówczas wskaźniki odpowiednio po lewej i prawej stronie wskażą poziomy naładowania akumulatorów.

- **Rys.4:**
1. Wskaźnik akumulatora po lewej stronie
 2. Wskaźnik akumulatora po prawej stronie
 3. Przycisk kontrolny

► Rys.5

Stan wskaźnika akumulatora			Stan naładowania akumulatora
Włączony	Wyłączony	Miga	
			50% do 100%
			20% do 50%
			0% do 20%
			Naładować akumulator.
			Akumulator nie został włożony

WSKAZÓWKA: Wskaźnik akumulatora działa po włożeniu dwóch akumulatorów.

WSKAZÓWKA: Wskaźniki akumulatorów zostaną również aktywowane po uruchomieniu odkurzacza.

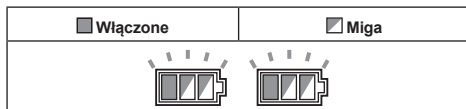
Układ zabezpieczający urządzenie/akumulatora

Urządzenie jest wyposażone w układ zabezpieczający urządzenie/akumulatora. Układ automatycznie odcina zasilanie silnika w celu wydłużenia trwałości urządzenia i akumulatora. Urządzenie zostanie automatycznie zatrzymane podczas pracy w następujących sytuacjach związanych z urządzeniem lub akumulatorem:

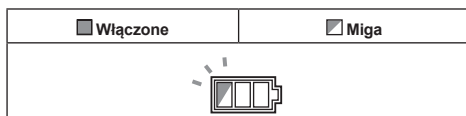
Zabezpieczenie przed przeciążeniem

W przypadku użytkowania urządzenia/akumulatora w sposób powodujący nadmiernie wysoki pobór prądu urządzenie zostanie automatycznie zatrzymane. W takiej sytuacji należy wyłączyć urządzenie i zaprzestać wykonywania czynności powodującej jego przeciążenie. Następnie należy wyłączyć urządzenie w celu ponownego uruchomienia.

Zabezpieczenie przed przegrzaniem



W przypadku przegrzania urządzenie zostanie automatycznie zatrzymane, a wskaźniki obu akumulatorów zaczną migać. W takiej sytuacji przed ponownym włączeniem należy poczekać, aż urządzenie ostygnie i oczyścić filtry.



Jeśli akumulator ulegnie przegrzaniu, urządzenie zatrzyma się automatycznie i wskaźnik przegrzanego akumulatora zacznie migać. W takiej sytuacji przed ponownym włączeniem urządzenia należy poczekać, aż akumulator ostygnie.

Zabezpieczenie przed nadmiernym rozładowaniem

Gdy stan naładowania akumulatora spadnie, urządzenie zostanie automatycznie zatrzymane. Jeśli urządzenie nie działa pomimo przełączenia, należy wyjąć akumulatory z urządzenia i je naładować.

Inne zabezpieczenia

Układ zabezpieczający jest przeznaczony do ochrony przed innymi przyczynami, które mogą doprowadzić do uszkodzenia urządzenia i umożliwia jego automatyczne zatrzymanie. Należy wykonać poniższe kroki, aby usunąć przyczyny tymczasowego wstrzymania lub zatrzymania pracy urządzenia.

1. Wyłączyć urządzenie, a następnie włączyć je ponownie w celu zresetowania.
2. Naładować akumulatory lub zastąpić je (lub jeden z nich) naładowanymi akumulatorami.

3. Pozostawić urządzenie i akumulator (akumulatory) do ostygnięcia.

Jeśli przywrócenie działania układu zabezpieczającego nie przynosi pozytywnych efektów, należy skontaktować się z centrum serwisowym Makita.

Działanie przełącznika

Włączanie odkurzacza

1. Ustawić przełącznik gotowości w położeniu „I” (włączenie) lub „AUTO” (włączenie), aby odkurzaczą znajdował się w trybie gotowości.
2. Nacisnąć przycisk zasilania.
Aby przełączyć odkurzaczą z powrotem w tryb gotowości, należy ponownie nacisnąć przycisk zasilania.

Wyłączanie odkurzacza

Należy wykonać jeden z poniższych kroków.

- Nacisnąć przycisk zasilania, aby ponownie ustawić odkurzaczą w trybie gotowości.
- Przewrócić przełącznik gotowości w położenie „O” (wyłączenie).

Regulacja siły ssania

Siłę ssania można regulować stosownie do potrzeb.

- Przekręcić pokrętko regulacji siły ssania w lewo, aby zredukować siłę ssania.
- Przekręcić pokrętko regulacji siły ssania w prawo, aby zwiększyć siłę ssania.

Wybór średnicy węża

Należy przekręcić pokrętko wyboru średnicy węża do położenia odpowiadającego średnicy węża, jaki będzie używany.

WSKAZÓWKA: Nie ustawiać pokrętkła na szczylinie pomiędzy wartościami liczbowymi. Pokrętko zawsze należy ustawiać odpowiednio do średnicy węża.

- **Rys.6:** 1. Przełącznik gotowości 2. Pokrętko regulacji siły ssania 3. Pokrętko wyboru średnicy węża 4. Przycisk zasilania

UWAGA: Zawsze w przypadku dłuższych przerw w pracy odkurzacza należy ustawiać przełącznik gotowości w położeniu „O”. Odkurzaczą w stanie gotowości zużywa energię.

Sygnal ostrzegawczy

Możliwe jest generowanie dwóch typów sygnałów dźwiękowych. Jeden to krótkie sygnały dźwiękowe, a drugi to ciągły sygnał dźwiękowy.

- Jeśli prędkość przepływu powietrza będzie mniejsza niż 20 m/s, ze względów bezpieczeństwa odkurzaczą wygeneruje krótkie ostrzegawcze sygnały dźwiękowe. W czasie emitowania dźwięku należy sprawdzić ustawienie pokrętkła wyboru średnicy węża lub czy siła ssania nie jest zbyt mała. Jeśli sygnały dźwiękowe nadal są emitowane, należy przeprowadzić konserwację lub zwrócić się do lokalnego centrum serwisowego.
- Jeśli zbiornik jest wypełniony cieczą, odkurzaczą będzie emitował ciągły ostrzegawczy sygnał dźwiękowy i zatrzyma się automatycznie. Po zatrzymaniu się odkurzacza należy go wyłączyć i opróżnić zbiornik.

Automatyczne wyłączenie ssania podczas pracy odkurzacza na mokro

⚠ OSTRZEŻENIE: Odkurzaczą nie wolno zbierać piany ani płynów zawierających mydło.

Może to doprowadzić do wydostawania się piany przez wylot powietrza. Kontynuowanie użycia w takich warunkach może doprowadzić do porażenia prądem elektrycznym i uszkodzenia odkurzacza.

Odkurzaczą został wyposażony w mechanizm zapobiegający przedostaniu się wody do silnika w przypadku zbierania dużych ilości wody. Jeśli zbiornik jest wypełniony cieczą, odkurzaczą będzie emitował ciągły ostrzegawczy sygnał dźwiękowy i zatrzyma się automatycznie. Po zatrzymaniu się odkurzacza należy go wyłączyć i opróżnić zbiornik.

System czyszczenia filtra

Urządzenie jest wyposażone w system czyszczenia filtra. Podczas używania urządzenia system czyszczenia filtra automatycznie odpyła filtry, aby zapobiec obniżeniu siły ssania na skutek zatkania filtrów.

Jeśli urządzenie zassie dużą ilość pyłu naraz, siła ssania może się obniżyć. W takiej sytuacji zaleca się ręczne oczyszczenie filtra.

1. Wyłączyć urządzenie.
2. Ustawić maksymalną siłę ssania, a następnie zasłonić dłonią otwór węża ssącego.
3. Włączyć urządzenie i pozostawić uruchomione przez około 15 sekund z zasłoniętym otworem węża ssącego.

► **Rys.7:** 1. Otwór węża ssącego

WSKAZÓWKA: Przepływ powietrza może zmieniać się po aktywowaniu systemu czyszczenia filtra, ale nie stanowi to usterki.

Spuszczanie wody

Jeśli zbiornik jest wypełniony cieczą, należy wyłączyć odkurzaczą i otworzyć korek spustu wody, aby opróżnić zbiornik.

► **Rys.8:** 1. Korek spustu wody

Korek

Korek jest dostarczany razem z urządzeniem. Założenie korka na otwór do podłączania węża zapobiega wydostawaniu się zebranego pyłu z odkurzacza.

► **Rys.9:** 1. Korek

Blokowanie i odblokowywanie kółek

Przednie kółka można zablokować za pomocą ograniczników, dzięki czemu odkurzaczą nie będzie się poruszał. Aby zablokować kółko, należy ręcznie przesunąć dźwignię ogranicznika w dół; aby zwolnić blokadę, należy podnieść dźwignię.

► **Rys.10:** 1. Kółko 2. Dźwignia ogranicznika 3. Pozycja ODBLOKOWANIA 4. Pozycja ZABLOKOWANIA

WSKAZÓWKA: Podczas przesuwania odkurzacza kółko powinno być odblokowane. Przesuwanie odkurzacza z zablokowanym kółkiem może doprowadzić do jego uszkodzenia.

Uchwyt do przenoszenia

⚠ PRZESTROGA: Podnosić i przenosić urządzenie z zachowaniem ostrożności. Niezastosowanie się do tego zalecenia może spowodować obrażenia ciała lub uszkodzenie urządzenia.

Odkurzacze należy przenosić, trzymając go za uchwyt w zespole górnym. Jeśli uchwyt nie jest używany, można go schować w zespole górnym.

► Rys.11

Jeśli samodzielne przeniesienie urządzenia sprawia trudności, powinny je przenosić dwie osoby, jak pokazano na rysunku.

► Rys.12

► Rys.13

MONTAŻ

⚠ OSTRZEŻENIE: W tym urządzeniu może znajdować się niebezpieczny pył. Podczas wymiany wkładów filtra i worka na pył lub przeprowadzania konserwacji zawsze należy nosić maskę oddechową P2.

⚠ PRZESTROGA: Przed przystąpieniem do wszelkich prac konserwacyjnych przy urządzeniu należy upewnić się, że jest ono wyłączone oraz że akumulatory zostały wyjęte.

Zakładanie i wyrzucanie worka filtracyjnego

⚠ OSTRZEŻENIE: Zawsze należy używać maski oddechowej P2.

⚠ OSTRZEŻENIE: Przed użyciem worka filtracyjnego należy upewnić się, że założony jest zespół filtra. Jeśli zespół filtra nie zostanie założony, może wystąpić nietypowy hałas i dojść do przegrzania odkurzacza prowadzącego do pożaru.

⚠ OSTRZEŻENIE: W przypadku korzystania z urządzenia dla klasy pyłu M zawsze należy używać worka filtracyjnego.

UWAGA: W przypadku używania worka filtracyjnego nigdy nie należy zbierać wody ani innych cieczy bądź mokrego pyłu. Zbieranie tego rodzaju materiałów może spowodować uszkodzenie worka filtracyjnego.

1. Zwolnić zaczepy blokady i wyjąć zespół górny ze zbiornika.

► Rys.14: 1. Zaczep blokady

2. Rozłożyć worek filtracyjny.

3. Dopasować otwór worka filtracyjnego do wlotu pyłu w zbiorniku.

4. Założyć kartonową część worka filtracyjnego na narzędzie w taki sposób, aby znalazła się na końcu, za występem zapadkowym.

► Rys.15: 1. Worek filtracyjny 2. Otwarcie kartonu 3. Uchwyt worka filtracyjnego 4. Wlot pyłu 5. Krawędź

Podczas wyrzucania worka filtracyjnego należy pociągnąć za krawędź otworu worka, tak aby otwór został zasłonięty przez papier.

Zakładanie worka polietylenowego

Akcesoria opcjonalne

Należy umieścić worek polietylenowy nad zbiornikiem i wsunąć jedną stronę górnej krawędzi worka po stronie otwarcia pomiędzy płytkę uchwyty i przednią ścianę zbiornika.

Następnie rozłożyć pozostałe krawędzie górne worka na zewnątrz górnych występow zbiornika.

Worka polietylenowego można używać razem z workiem filtracyjnym.

► Rys.16: 1. Płytkę uchwyty 2. Przednia ściana zbiornika 3. Worek polietylenowy

WSKAZÓWKA: Można używać zwykłych worków polietylenowych dostępnych w sklepach. Zalecana jest grubość ponad 0,04 mm i obwód ponad 2 000 mm.

WSKAZÓWKA: Zbyt duża ilość pyłu spowoduje rozdarcie worka polietylenowego, dlatego nie należy przepelniać worka. Wyrzucanie ciężkiego worka może powodować obciążenie dla człowieka.

Opróżnianie zbiornika z workiem polietylenowym

⚠ OSTRZEŻENIE: Przed opróżnieniem zbiornika należy zawsze upewnić się, że odkurzacze jest wyłączony oraz że zostały wyjęte akumulatory. Nieprzestrzeganie tej zasady może spowodować porażenie prądem elektrycznym i poważne obrażenia.

UWAGA: Zbiornik należy opróżniać co najmniej raz dziennie; zależy to jednak od ilości pyłu zebranego w zbiorniku. W przeciwnym razie siła ssania spadnie i może dojść do uszkodzenia silnika.

UWAGA: Podczas opróżniania zbiornika nie należy chwycić za zaczepy blokady. Chwytywanie za zaczepy blokady może doprowadzić do ich złamania.

1. Zwolnić zaczepy blokady i wyjąć zespół górny ze zbiornika.

2. Wyjąć worek polietylenowy ze zbiornika, zasłaniając ręką otwarcie worka.

► Rys.17: 1. Worek polietylenowy 2. Zbiornik

WSKAZÓWKA: Ostrożnie wyjąć worek polietylenowy ze zbiornika, aby uniknąć jego porysowania lub przedarcia przez krawędzie wewnątrz zbiornika.

WSKAZÓWKA: Wyjąć worek polietylenowy, zanim całkowicie się zapełni. Zbyt duża ilość pyłu w zbiorniku może spowodować rozerwanie worka.

Podłączanie węża

UWAGA: Nigdy nie należy zginać węża na siłę ani go ścisnąć. Nigdy nie należy ciągnąć odkurzacza za wąż. Zginanie, ściskanie i ciągnięcie węża może spowodować jego rozerwanie lub odkształcenie.

UWAGA: Do zbierania większych odpadów, takich jak wióry ze strugarki, kawałki betonu itp., należy użyć węża o średnicy wewnętrznej 38 mm (wyposażenie dodatkowe). Użycie węża o średnicy wewnętrznej 28 mm (wyposażenie dodatkowe) może doprowadzić do zatkania i uszkodzenia węża.

UWAGA: Podczas wyjmowania węża z odkurzacza zawsze należy zakładać korek na otwór montażowy.

Podłączenie do odkurzacza

Zdjąć korek z otworu montażowego. Jeśli wąż jest podłączony do odkurzacza, korek można schować z tyłu urządzenia.

► **Rys.18:** 1. Korek

Włożyć końcówkę węża do wlotu pyłu (wlotu węża) odkurzacza, a następnie obrócić w prawo, aż do zablokowania.

► **Rys.19:** 1. Wąż 2. Wlot pyłu (wlot węża)

Połączenia z narzędziami roboczymi (W zależności od kraju)

Po podłączeniu odkurzacza do dowolnego dostępnego narzędzia roboczego kompatybilnego z odkuraczem działa on jako przystawka do odsysania pyłu dla elektronarzędzi.

Należy wybrać jedną z przednich złączy lub jeden z łączników (wyposażenie opcjonalne), najlepiej dopasowaną do modelu narzędzia. Umieścić złączy lub łącznik, odpowiednio do potrzeb, pomiędzy przednim końcem węża odkurzacza i portem do odsysania pyłu w narzędziu.

► **Rys.20:** 1. Przednie złącze lub łącznik 2. Wąż odkurzacza 3. Elektronarzędzie 4. Odkuracz

Zakładanie lub zdejmowanie przystawek odkurzacza

PRZESTROGA: Po założeniu przystawki sprawdzić, czy została dobrze zamocowana. Jeśli przystawka jest zamocowana nieprawidłowo, może się odcepić i spowodować obrażenia ciała.

W przypadku użycia przystawki bez funkcji blokady

Akcesoria opcjonalne

Umieścić przystawkę w otworze zasysania odkurzacza, wciskając ją i przykręcając na miejscu.

Po zakończeniu użycia ręcznie przekręcić i wyciągnąć przystawkę z otworu zasysania.

► **Rys.21**

Instalowanie adaptera MAKPAC

Akcesoria opcjonalne

PRZESTROGA: Nie stawać ani nie siadać na górnej powierzchni urządzenia. Ze względu na brak stabilności może dojść do upadku.

PRZESTROGA: Podczas instalowania adaptera MAKPAC należy zachować ostrożność. Niezastosowanie się do tego zalecenia może spowodować obrażenia ciała lub uszkodzenie urządzenia.

PRZESTROGA: Jeśli adapter MAKPAC jest zainstalowany w urządzeniu, nie należy podnosić urządzenia za uchwyt MAKPAC.

PRZESTROGA: Podczas przesuwania urządzenia z zainstalowanym adapterem MAKPAC nie należy popychać adaptera MAKPAC, ale korpus urządzenia. Popychanie adaptera MAKPAC może spowodować złamanie zatrzasków i upadek adaptera MAKPAC, co może doprowadzić do obrażeń ciała.

Możliwe do podłączenia i mocowania kaskadowo kasety do przechowywania adaptera MAKPAC można zamocować u góry odkurzacza. Kasety są dostępne w wielu rozmiarach i wzorach, dopasowanych do preferencji użytkownika.

1. Należy złożyć zatrzaski na górnej powierzchni odkurzacza.

► **Rys.22:** 1. Zatrzask

2. Zamocować kasety MAKPAC na górnej powierzchni odkurzacza i przymocować je za pomocą zatrzasków.

► **Rys.23:** 1. Zatrzask 2. MAKPAC

Maksymalna wysokość i masa dla instalacji adaptera MAKPAC wynosi odpowiednio 315 mm i 20 kg.

► **Rys.24**

OBSŁUGA

OSTRZEŻENIE: Należy zawsze stosować respirator P2.

PRZESTROGA: Jeśli piana lub ciecz wydostaje się z narzędzia, należy je niezwłocznie wyłączyć. Kontynuowanie używania odkurzacza w takich warunkach może doprowadzić do porażenia prądem elektrycznym i uszkodzenia urządzenia.

FUNKCJA AKTYWACJI BEZPRZEWODOWEJ

Akcesoria opcjonalne

Co umożliwiła funkcja aktywacji bezprowadowej

Funkcja aktywacji bezprzewodowej pozwala na czystą i komfortową pracę. Poprzez podłączenie obsługiwane narzędzia do odkurzacza można automatycznie uruchomić odkurzacz, który będzie włączał się wraz z przełącznikiem narzędzia.

► Rys.25

UWAGA: Przed uruchomieniem odkurzacza z funkcją aktywacji bezprzewodowej należy zapoznać się z instrukcją obsługi narzędzia.

UWAGA: Nie rozmontowywać ani modyfikować złącza bezprzewodowego.

UWAGA: Aby zapobiec przedostawaniu się pyłu do gniazda złącza bezprzewodowego, należy zawsze dobrze zamykać pokrywę gniazda podczas pracy i przechowywania.

UWAGA: Nie naciskać zbyt mocno przycisku aktywacji bezprzewodowej na złączu bezprzewodowym i nie naciskać przycisku za pomocą przedmiotu z ostrą krawędzią.

WSKAZÓWKA: Do aktywacji bezprzewodowej wymagane są narzędzia firmy Makita wyposażone w złącze bezprzewodowe.

WSKAZÓWKA: Przed pierwszym uruchomieniem funkcji aktywacji bezprzewodowej na którymkolwiek narzędziu wymagana jest rejestracja narzędzia. Po ukończeniu rejestracji narzędzia i jeżeli jej nie anulowano, ponowna rejestracja nie jest wymagana.

WSKAZÓWKA: Przed rejestracją należy upewnić się, że złącze bezprzewodowe jest prawidłowo włożone.

WSKAZÓWKA: Jedno złącze bezprzewodowe może zarejestrować do 10 połączeń z innymi złączami bezprzewodowymi. Jeśli złącze bezprzewodowe zarejestruje ponad 10 złączy bezprzewodowych, złącze zarejestrowane najwcześniej zostanie automatycznie anulowane.

WSKAZÓWKA: Umieszczenie przycisku aktywacji bezprzewodowej różni się w zależności od urządzenia.

WSKAZÓWKA: Odkurzacz można również uruchomić za pomocą przycisku zasilania, jeżeli przełącznik gotowości ustawiony jest na „AUTO”. Metoda ta nie zadziała, jeśli włączona będzie funkcja aktywacji bezprzewodowej.

Instalacja złącza bezprzewodowego

⚠OSTRZEŻENIE: Otworzyć pokrywę tylko podczas instalacji złącza bezprzewodowego po raz pierwszy. Nigdy nie otwierać pokrywy po zainstalowaniu złącza.

⚠PRZESTROGA: Podczas montażu złącza bezprzewodowego umieścić odkurzacz na płaskiej i stabilnej powierzchni.

UWAGA: Przed rozpoczęciem montażu złącza bezprzewodowego oczyścić odkurzacz z pyłu i zabrudzeń. Jeśli pył lub zabrudzenia przedostaną się do gniazda złącza bezprzewodowego, może dojść do usterki.

UWAGA: Aby zapobiec usterce spowodowanej przez ładunek elektrostatyczny, przed podniesieniem złącza bezprzewodowego należy dotknąć materiału odprowadzającego wyładowania elektrostatyczne, takiego jak metalowa część.

UWAGA: Podczas montażu złącza bezprzewodowego należy zawsze upewnić się, że złącze bezprzewodowe zostanie włożone w odpowiednim kierunku, a pokrywa całkowicie zamknięta.

1. Poluzować śrubę, aby otworzyć pokrywę na odkurzaczu, jak pokazano na rysunku.

► Rys.26: 1. Pokrywa 2. Śruba

2. Włożyć złącze bezprzewodowe do szczeliny.

Podczas wkładania złącza bezprzewodowego wyrównać wypusty z wgłębieniami w gnieździe.

► Rys.27: 1. Złącze bezprzewodowe 2. Występ 3. Pokrywa 4. Wgłębienie

3. Dokręcić śrubę do końca, aby zamknąć pokrywę.

Rejestracja narzędzia w celu używania odkurzacza

WSKAZÓWKA: Do rejestracji narzędzia wymagane jest urządzenie firmy Makita obsługujące funkcję aktywacji bezprzewodowej.

WSKAZÓWKA: Zakończyć montaż złącza bezprzewodowego w narzędziu przed rozpoczęciem rejestracji narzędzia.

WSKAZÓWKA: Podczas rejestracji narzędzia nie należy naciskać spustu przełącznika na urządzeniu ani przycisku zasilania na odkurzaczu.

WSKAZÓWKA: Należy również zapoznać się z instrukcją obsługi narzędzia.

Jeśli odkurzacz ma zostać aktywowany wraz z przełącznikiem narzędzia, należy najpierw zakończyć rejestrację narzędzia.

1. Zamontować złącza bezprzewodowe kolejno w odkurzaczu i narzędziu.

2. Należy zamontować akumulatory w odkurzaczu i narzędziu.

3. Ustawić przełącznik gotowości na odkurzaczu w położeniu „AUTO”.

► Rys.28: 1. Przełącznik gotowości

4. Nacisnąć i przytrzymać przez 3 sekundy przycisk aktywacji bezprzewodowej na odkurzaczu, aż do momentu, w którym kontrolka aktywacji bezprzewodowej zacznie migać na zielono. Następnie nacisnąć przycisk aktywacji bezprzewodowej na narzędziu w taki sam sposób.

- **Rys.29:** 1. Przycisk aktywacji bezprzewodowej
2. Kontrolka aktywacji bezprzewodowej

Jeśli odkurzacz i narzędzie zostały pomyślnie sparowane, kontrolki aktywacji bezprzewodowej będą migać na zielono przez 2 sekundy, a następnie zaczną migać na niebiesko.

WSKAZÓWKA: Kontrolki aktywacji bezprzewodowej przestaną migać na zielono po 20 sekundach. Nacisnąć przycisk aktywacji bezprzewodowej na narzędziu, gdy funkcja aktywacji bezprzewodowej na odkurzaczu miga. Jeśli kontrolka aktywacji bezprzewodowej nie miga na zielono, nacisnąć na krótko przycisk aktywacji bezprzewodowej i przytrzymać go ponownie.

WSKAZÓWKA: Podczas przeprowadzania rejestracji dwóch lub więcej narzędzi do odkurzacza, należy zakończyć rejestrację danego narzędzia w odpowiedniej kolejności.

Uruchamianie funkcji aktywacji bezprzewodowej

WSKAZÓWKA: Zakończyć rejestrację narzędzia do odkurzacza, aby uruchomić funkcję aktywacji bezprzewodowej.

WSKAZÓWKA: Należy zawsze w taki sposób ustawić odkurzacz, aby widoczny był status kontrolki aktywacji bezprzewodowej.

WSKAZÓWKA: Należy również zapoznać się z instrukcją obsługi narzędzia.

Po zarejestrowaniu narzędzia do odkurzacza, urządzenie to będzie automatycznie działać wraz z przełącznikiem narzędzia.

1. Zamontować złącza bezprzewodowe kolejno w odkurzaczu i narzędziu.
2. Należy zamontować akumulatory w odkurzaczu i narzędziu.
3. Podłączyć wąż odkurzacza do narzędzia.

► **Rys.30**

4. Ustawić przełącznik gotowości na odkurzaczu w położeniu „AUTO”.

- **Rys.31:** 1. Przełącznik gotowości

5. Krótko nacisnąć przycisk aktywacji bezprzewodowej na narzędziu. Kontrolka aktywacji bezprzewodowej będzie migać na niebiesko.

- **Rys.32:** 1. Przycisk aktywacji bezprzewodowej
2. Kontrolka aktywacji bezprzewodowej

6. Włączyć narzędzie. Sprawdzić, czy odkurzacz działa, gdy narzędzie pracuje.

⚠ PRZESTROGA: Przed rozpoczęciem pracy z narzędziem należy zawsze sprawdzić, czy funkcja aktywacji bezprzewodowej działa.

Aby wyłączyć funkcję aktywacji bezprzewodowej, należy nacisnąć przycisk aktywacji bezprzewodowej na narzędziu lub ustawić przełącznik gotowości na odkurzaczu w położeniu „I” lub „O”.

WSKAZÓWKA: Kontrolka aktywacji bezprzewodowej na narzędziu przestanie migać na niebiesko w przypadku bezczynności przez 2 godziny. W takim przypadku należy ustawić przełącznik gotowości na odkurzaczu w położeniu „AUTO” i ponownie nacisnąć przycisk aktywacji bezprzewodowej na narzędziu.

WSKAZÓWKA: Odkurzacz uruchomi/wyłączy się z opóźnieniem. W przypadku wykrycia działania przełącznika narzędzia przez odkurzacz występuje opóźnienie.

WSKAZÓWKA: Zasięg łączności złącza bezprzewodowego może się różnić w zależności od lokalizacji i warunków otoczenia.

WSKAZÓWKA: W przypadku zarejestrowania dwóch lub większej liczby narzędzi do jednego odkurzacza odkurzacz może uruchomić się, nawet jeśli narzędzie nie zostanie włączone, jeśli inny użytkownik użyje funkcji aktywacji bezprzewodowej.

Anulowanie rejestracji narzędzia do odkurzacza

Podczas anulowania rejestracji narzędzia do odkurzacza należy wykonać następującą procedurę.

1. Zamontować złącza bezprzewodowe kolejno w odkurzaczu i narzędziu.
2. Należy zamontować akumulatory w odkurzaczu i narzędziu.
3. Ustawić przełącznik gotowości na odkurzaczu w położeniu „AUTO”.

► **Rys.33:** 1. Przełącznik gotowości

4. Nacisnąć i przytrzymać przez 6 sekund przycisk aktywacji bezprzewodowej na odkurzaczu. Kontrolka aktywacji bezprzewodowej miga na zielono, a później na czerwono. Następnie nacisnąć przycisk aktywacji bezprzewodowej na narzędziu w taki sam sposób.

- **Rys.34:** 1. Przycisk aktywacji bezprzewodowej
2. Kontrolka aktywacji bezprzewodowej

Jeśli anulowanie zostanie zakończone pomyślnie, kontrolki aktywacji bezprzewodowej będą migać na zielono przez 2 sekundy, a następnie zaczną migać na niebiesko.

WSKAZÓWKA: Kontrolki aktywacji bezprzewodowej przestaną migać na czerwono po 20 sekundach. Nacisnąć przycisk aktywacji bezprzewodowej na narzędziu, gdy funkcja aktywacji bezprzewodowej na odkurzaczu miga. Jeśli kontrolka aktywacji bezprzewodowej nie miga na czerwono, nacisnąć na krótko przycisk aktywacji bezprzewodowej i przytrzymać go ponownie.

Usuwanie wszystkich rejestracji narzędzi

Istnieje możliwość usunięcia wszystkich rejestracji narzędzi w następujący sposób.

► **Rys.35:** 1. Przełącznik gotowości 2. Przycisk aktywacji bezprzewodowej 3. Kontrolka aktywacji bezprzewodowej

1. Zamontować złącze bezprzewodowe w odkurzaczu.
2. Zamontować akumulatory w odkurzaczu.
3. Ustawić przełącznik gotowości w położeniu „AUTO”.
4. Przytrzymać przycisk aktywacji bezprzewodowej przez około 6 sekund, do momentu zapalenia się kontrolki aktywacji bezprzewodowej na czerwono (będzie ona migać dwukrotnie na sekundę).

5. Gdy kontrolka aktywacji bezprzewodowej zacznie migać na czerwono, należy zwolnić przycisk aktywacji bezprzewodowej. Następnie należy ponownie nacisnąć i przytrzymać przycisk aktywacji bezprzewodowej przez około 6 sekund.











6. Gdy kontrolka aktywacji bezprzewodowej zacznie szybko migać (około 5 razy na sekundę) na czerwono, należy zwolnić przycisk aktywacji bezprzewodowej. Kiedy kontrolka aktywacji bezprzewodowej zapali się na czerwono i po chwili się wyłączy, będzie to oznaczać, że wszystkie rejestracje narzędzi zostały usunięte.

WSKAZÓWKA: Jeśli kontrolka aktywacji bezprzewodowej nie miga na czerwono, nacisnąć na krótko przycisk aktywacji bezprzewodowej i spróbować ponownie.

Opis stanu kontrolki aktywacji bezprzewodowej

► **Rys.36:** 1. Przycisk aktywacji bezprzewodowej
2. Kontrolka aktywacji bezprzewodowej

Kontrolka aktywacji bezprzewodowej przedstawia stan funkcji aktywacji bezprzewodowej. Aby dowiedzieć się więcej na temat znaczenia stanu kontrolki, należy zapoznać się z poniższą tabelą.

Stan	Kontrolka aktywacji bezprzewodowej				Opis	
	Kolor	 Wł.	 Miga	Czas trwania (przybliżony)		
Czuwanie	Niebieska			Odkurzacze: trwanie Narzędzie: 2 godziny	Oczekiwanie na rejestrację narzędzia lub funkcja aktywacji bezprzewodowej jest dostępna. Kontrolka na odkurzaczu miga, gdy przełącznik gotowości ustawiony jest w położeniu AUTO. Kontrolka miga w momencie przytrzymania przycisku aktywacji bezprzewodowej. Kontrolka na urządzeniu wyłączy się automatycznie w przypadku bezczynności przez 2 godziny.	
				Gdy narzędzie jest uruchomione.	Aktywacja bezprzewodowa odkurzacza jest dostępna, a narzędzie uruchomione.	
Rejestracja narzędzia	Zielona			20 sekund	Gotowość do rejestracji narzędzia. Wyszukiwanie narzędzia do rejestracji.	
				2 sekundy	Rejestracja narzędzia została zakończona. Kontrolka aktywacji bezprzewodowej zacznie migać na niebiesko.	
Anulowanie/ usuwanie rejestracji narzędzia	Czerwona		(powoli: 2 razy/s)	20 sekund	Gotowość do anulowania rejestracji narzędzia. Wyszukiwanie narzędzia anulowania.	
			(szybko: 5 razy/s)		W momencie wciśnięcia przycisku aktywacji bezprzewodowej.	Gotowość do usunięcia wszystkich rejestracji narzędzi.
				2 sekundy	Rejestracja narzędzia została anulowana/usunięta. Kontrolka aktywacji bezprzewodowej zacznie migać na niebiesko.	
Inne	Czerwona			3 sekundy	Zasilanie jest dostarczane do złącza bezprzewodowego, a funkcja aktywacji bezprzewodowej uruchamiana.	
		Wył.	-	-	Przełącznik gotowości nie znajduje się w położeniu „AUTO”.	

Rozwiązywanie problemów związanych z funkcją aktywacji bezprzewodowej

Przed oddaniem urządzenia do naprawy należy najpierw przeprowadzić samodzielną kontrolę. W razie napotkania problemu, który nie został wyjaśniony w instrukcji, nie należy próbować demontować urządzenia we własnym zakresie. Należy natomiast zlecić naprawę w autoryzowanym punkcie serwisowym firmy Makita; zawsze z użyciem oryginalnych części zamiennych Makita.

Nieprawidłowe działanie	Prawdopodobna przyczyna (usterka)	Rozwiązanie
Kontrolka aktywacji bezprzewodowej nie świeci/miga.	Złącze bezprzewodowe nie zostało zamontowane w odkurzaczu i/lub w narzędziu. Złącze bezprzewodowe zostało nieprawidłowo zamontowane w odkurzaczu i/ lub narzędziu.	Należy poprawnie zamontować złącze bezprzewodowe.
	Przycisk aktywacji bezprzewodowej na narzędziu nie został naciśnięty.	Krótko nacisnąć przycisk aktywacji bezprzewodowej na narzędziu.
	Przełącznik gotowości na odkurzaczu nie znajduje się w położeniu „AUTO”.	Ustawić przełącznik gotowości na odkurzaczu w położeniu „AUTO”.
	Brak zasilania	Podłączyć narzędzie i odkurzacz do zasilania.
Nie można pomyślnie zakończyć rejestracji narzędzia/anulowania rejestracji narzędzia.	Złącze bezprzewodowe nie zostało zamontowane w odkurzaczu i/lub narzędziu. Złącze bezprzewodowe zostało nieprawidłowo zamontowane w odkurzaczu i/ lub narzędziu.	Należy poprawnie zamontować złącze bezprzewodowe.
	Przełącznik gotowości na odkurzaczu nie znajduje się w położeniu „AUTO”.	Ustawić przełącznik gotowości na odkurzaczu w położeniu „AUTO”.
	Brak zasilania	Podłączyć narzędzie i odkurzacz do zasilania.
	Nieprawidłowe działanie	Krótko nacisnąć przycisk aktywacji bezprzewodowej i ponownie wykonać procedurę rejestracji narzędzia/anulowania rejestracji narzędzia.
	Narzędzie i odkurzacz znajdują się w zbyt dużej odległości od siebie (poza zasięgiem łączności).	Zbliżyć narzędzie i odkurzacz do siebie. Maksymalny zasięg łączności wynosi około 10 m, lecz może się różnić w zależności od panujących warunków.
	Przed zakończeniem rejestracji/anulowania narzędzia; - przełącznik na narzędziu jest naciśnięty lub; - przycisk zasilania na odkurzaczu jest włączony.	Krótko nacisnąć przycisk aktywacji bezprzewodowej i ponownie wykonać procedurę rejestracji narzędzia/anulowania rejestracji narzędzia.
	Procedury rejestracji narzędzia dotyczące narzędzia lub odkurzacza nie zostały zakończone.	Wykonać jednocześnie procedury związane z rejestracją narzędzia dotyczące narzędzia i odkurzacza.
Zakłócenia radiowe spowodowane przez inne urządzenia, które generują fale radiowe o wysokiej częstotliwości.	Trzymać narzędzie i odkurzacz z dala od urządzeń, takich jak urządzenia Wi-Fi i kuchenki mikrofalowe.	

Nieprawidłowe działanie	Prawdopodobna przyczyna (usterka)	Rozwiązanie
Odkurzacz nie działa wraz z przełącznikiem narzędzia.	Złącze bezprzewodowe nie zostało zamontowane w odkurzaczu i/lub w narzędziu. Złącze bezprzewodowe zostało nieprawidłowo zamontowane w odkurzaczu i/lub narzędziu.	Należy poprawnie zamontować złącze bezprzewodowe.
	Przycisk aktywacji bezprzewodowej na narzędziu nie został naciśnięty.	Krótko nacisnąć przycisk aktywacji bezprzewodowej i upewnić się, że kontrolka aktywacji bezprzewodowej miga na niebiesko.
	Przełącznik gotowości na odkurzaczu nie znajduje się w położeniu „AUTO”.	Ustawić przełącznik gotowości na odkurzaczu w położeniu „AUTO”.
	Zarejestrowano ponad 10 narzędzi do odkurzacza.	Ponownie wykonać rejestrację narzędzia. W przypadku zarejestrowania ponad 10 narzędzi do odkurzacza narzędzie zarejestrowane najwcześniej zostanie automatycznie anulowane.
	Odkurzacz usunął wszystkie rejestracje narzędzi.	Ponownie wykonać rejestrację narzędzia.
	Brak zasilania	Podłączyć narzędzie i odkurzacz do zasilania.
	Narzędzie i odkurzacz znajdują się w zbyt dużej odległości od siebie (poza zasięgiem łączności).	Zbliżyć narzędzie i odkurzacz do siebie. Maksymalny zasięg łączności wynosi około 10 m, lecz może się różnić w zależności od panujących warunków.
	Zakłócenia radiowe spowodowane przez inne urządzenia, które generują fale radiowe o wysokiej częstotliwości.	Trzymać narzędzie i odkurzacz z dala od urządzeń, takich jak urządzenia Wi-Fi i kuchenki mikrofalowe.
Odkurzacz działa, gdy narzędzie nie pracuje.	Inni użytkownicy korzystają z funkcji aktywacji bezprzewodowej przy użyciu narzędzi.	Ustawić przycisk aktywacji bezprzewodowej innych narzędzi w położeniu wyłączenia lub anulować rejestrację innych narzędzi.
Nie można usunąć wszystkich rejestracji narzędzi w odkurzaczu.	Naciskanie przycisku bezprzewodowego na narzędziu.	Aby usunąć wszystkie rejestracje narzędzi, należy nacisnąć przycisk funkcji bezprzewodowej na odkurzaczu.
	Przełącznik gotowości na odkurzaczu nie znajduje się w położeniu „AUTO”.	Ustawić przełącznik gotowości na odkurzaczu w położeniu „AUTO”.
	Przycisk aktywacji bezprzewodowej nie jest prawidłowo przytrzymywany.	Przytrzymać przycisk aktywacji bezprzewodowej przez ponad 6 sekund, a następnie zwolnić go, gdy kontrolka aktywacji bezprzewodowej zacznie migać na czerwono. Ponownie przytrzymać przycisk aktywacji bezprzewodowej przez ponad 6 sekund do momentu, kiedy przycisk aktywacji bezprzewodowej zacznie szybko migać, a następnie zwolnić przycisk.

KONSERWACJA

▲ OSTRZEŻENIE: Podczas przeprowadzania konserwacji zawsze należy używać maski ochronowej P2.

▲ PRZESTROGA: Przed przystąpieniem do przeglądu urządzenia lub jego konserwacji upewnij się, że jest ono wyłączone, a akumulatory wyjęte.

▲ PRZESTROGA: Co najmniej raz w roku przeszkolona osoba powinna przeprowadzić przegląd techniczny, w tym przegląd filtrów, szczelność układu powietrza i mechanizmu kontrolnego.

▲ PRZESTROGA: Podczas konserwacji wszystkie zanieczyszczone elementy, których nie można oczyścić w zadowalający sposób, należy wyrzucić. Elementy te należy wyrzucić w nieprzepuszczalnych workach, zgodnie z krajowymi przepisami.

▲ PRZESTROGA: Po zakończeniu pracy w miejscu niebezpiecznym przed zabranieniem narzędzia jego zewnętrzną powierzchnię należy odkazić, odkurzając je, i powycierać do czysta lub nanieść na nie środek uszczelniający. Przed usunięciem z obszaru niebezpiecznego wszystkie części narzędzia należy uznać za zanieczyszczone i podjąć odpowiednie działania, aby zapobiec rozprzestrzenianiu się pyłu.

▲ PRZESTROGA: Jeśli filtry zostaną zatkane pyłem lub jeśli wydajność odkurzacza obniży się, należy wymienić filtry.

▲ PRZESTROGA: Należy systematycznie sprawdzać filtry. Jeśli na filtrach widać ślady rozdarcia, należy je niezwłocznie wymienić.

UWAGA: Nie stosować benzyny, rozpuszczalników, alkoholu itp. środków. Mogą one powodować odbarwienia, odkształcenia lub pęknięcia.

W celu zachowania odpowiedniego poziomu BEZPIECZEŃSTWA i NIEZAWODNOŚCI produktu wszelkie naprawy i różnego rodzaju prace konserwacyjne lub regulacje powinny być przeprowadzane przez autoryzowany lub fabryczny punkt serwisowy narzędzi Makita, zawsze z użyciem oryginalnych części zamiennych Makita.

Wymowanie zespołu filtra

▲ PRZESTROGA: Należy odczekać około 5 minut, aby pył w zbiorniku całkowicie osiadł.

▲ PRZESTROGA: Podczas wymowania zespołu filtra należy zachować ostrożność, aby pył nie dostał się do wnętrza pokrywy zbiornika.

Zespół filtra jest przymocowany do zespołu górnego. Składa się z płytki górnej, filtrów wstępnych, przepustnic i filtrów pyłu.

1. Zwolnić zaczepy blokady i wyjąć zespół górny ze zbiornika.
 2. Wyjąć filtr z zespołu górnego, jak pokazano na rysunku.
- **Rys.37:** 1. Zatrząsk 2. Zespół filtra

Wymowanie filtra pyłu i filtra wstępnego

Podnieść pokrętko i wyjąć filtry z płytki górnej.

► **Rys.38:** 1. Płytko górna 2. Filtry 3. Pokrętko

Aby uniknąć przedostawania się pyłu do powietrza, zaleca się usuwanie filtrów w worku polietylenowym. Podczas przenoszenia zespołu filtra w celu wyczyszczenia go należy dokładnie związać worek polietylenowy.

- **Rys.39:** 1. Zespół filtra 2. Worek polietylenowy
- **Rys.40:** 1. Płytko górna 2. Filtry 3. Worek polietylenowy

Czyszczenie filtra pyłu, filtra wstępnego i przepustnicy

Co pewien czas należy oczyścić filtry i przepustnicę. Zatkanie filtrów i przepustnicy może doprowadzić do obniżenia wydajności ssania.

Należy systematycznie usuwać pył nagromadzony w filtrach i przepustnicy.

Co pewien czas należy umyć filtr pyłu, filtr wstępny i przepustnicę wodą, wypłukać i dokładnie wysuszyć w zacienionym miejscu przed ponownym użyciem. Nigdy nie należy prać ich w pralce.

► **Rys.41**

WSKAZÓWKI: Filtra pyłu, filtra wstępnego ani przepustnicy nie należy skrobać żadnymi twardymi przedmiotami, np. szczotką czy łopatką.

WSKAZÓWKI: Filtry z biegiem czasu zużywają się. Zalecane jest posiadanie kilku zapasowych.

Zakładanie filtra pyłu i filtra wstępnego

UWAGA: Filtr pyłu i filtr wstępny umożliwiają zbieranie zarówno suchego, jak i mokrego pyłu. Należy upewnić się, czy czujniki poziomu wody odpowiednio się aktywują, aby nie doszło do uszkodzenia filtra pyłu.

Zacpej krawędzie zespołu filtra o płytkę górną, a następnie opuść pokrętko.

► **Rys.42:** 1. Krawędź 2. Pokrętko

UWAGA: Przed użyciem filtra pyłu należy się zawsze upewnić, że jest założony filtr wstępny i przepustnica. Nie należy zakładać samego filtra pyłu.

Montowanie filtrów

Jeśli filtry są rozdzielone, należy je zmontować w sposób przedstawiony na rysunku.

► **Rys.43:** 1. Filtr pyłu 2. Przepustnica 3. Filtr wstępny

Zakładanie zespołu filtra

Po zamocowaniu filtrów do płytki górnej należy zaczepić otwory zespołu filtra w częściach w kształcie litery U osłony wewnętrznej. Następnie zablokować zatrzask w sposób przedstawiony na rysunku.

- **Rys.44:** 1. Część w kształcie litery U 2. Otwór
3. Zatrzask

Zakładanie filtra wody

Akcesoria opcjonalne

UWAGA: W celu zebrania mokrego pyłu należy upewnić się, czy czujniki poziomu wody aktywują się w odpowiedni sposób.

UWAGA: Jeśli używany jest filtr wody, nie należy używać filtra wstępnego i przepustnicy.

Do zbierania tylko wody lub mokrego pyłu lepiej sprawdzi się filtr wody niż filtr pyłu i filtr wstępny. Podczas zakładania filtra wody należy zamocować go do płytki górnej, tak jak filtr pyłu i filtr wstępny.

- **Rys.45**

WSKAZÓWKA: W przypadku częstego zbierania większych ilości wody zalecane jest używanie filtra wody. W przeciwnym razie użycie filtra pyłu i filtra wstępnego może spowodować obniżenie siły ssania.

Czyszczenie czujników poziomu wody

Czujniki poziomu wody wykrywają ciecz, którą napełniony jest zbiornik. Co jakiś czas podczas wymiany filtrów należy oczyścić czujniki poziomu wody za pomocą miękkiej ściereczki.

- **Rys.46:** 1. Czujnik poziomu wody

Przechowywanie akcesoriów

Akcesoria i przystawki, które nie są używane, takie jak dysze, rury i korek, można przechowywać, wieszając je na zaczepie znajdującym się z tyłu odkurzacza.

- **Rys.47:** 1. Akcesoria i przystawki, które nie są używane 2. Korek

W przypadku krótszych przerw w pracy odkurzacza rury (z zainstalowanym opcjonalnym ogranicznikiem) można umieścić w uchwycie.

- **Rys.48:** 1. Ogranicznik (wyposażenie opcjonalne)
2. Uchwyt rury

Wąż można zwinąć w duże pętle i przechowywać na obudowie lub uchwycie odkurzacza. Połączyć oba końce węża, aby utworzyć pętle i zaczepić je na podniesionym uchwycie. Alternatywnie, przytrzymać za tylny koniec zamocowany w otworze węża i zaczepić pętle na zaczepie wielofunkcyjnym, przewiązując luźny koniec.

- **Rys.49**

- **Rys.50**

AKCESORIA OPCJONALNE

⚠ PRZESTROGA: Zaleca się stosowanie wymiennych akcesoriów i przystawek razem z narzędziem Makita opisanym w niniejszej instrukcji.

Stosowanie innych akcesoriów lub przystawek może być przyczyną obrażeń ciała. Akcesoria lub przystawki należy wykorzystywać tylko zgodnie z ich przeznaczeniem.

W razie potrzeby wszelkiej pomocy i szczegółowych informacji na temat niniejszych akcesoriów udzieli Państwu lokalne punkty serwisowe Makita.

- Wąż
- Przednie złączki (22, 24, 38)
- Rura prosta
- Końcówka szczelinowa
- Szczotka okrągła
- Filtr pyłu M, H (HEPA)
- Przepustnica
- Filtr wstępny
- Filtr wody
- Komplet końcówek
- Wygięta rura
- Worek polietylenowy
- Worek filtracyjny
- Korek
- Oryginalny akumulator i ładowarka firmy Makita
- Złącze bezprzewodowe
- MAKPAC

WSKAZÓWKA: Niektóre pozycje znajdujące się na liście mogą być dołączone do pakietu narzędziowego jako akcesoria standardowe. Mogą to być różne pozycje, w zależności od kraju.

FIGYELMEZTETÉS

- A gépet nem használhatják korlátozott testi és szellemi képességű vagy olyan személyek, akiknek érzékelése nem tökéletes (beleértve a gyerekeket is), illetve nem rendelkeznek megfelelő tapasztalattal és tudással.
- Ügyelni kell arra, hogy gyermekek ne játszhassanak a porszívóval.
- Az akkumulátor típusreferenciáját lásd a „MŰSZAKI ADATOK” fejezetben.
- Az akkumulátor eltávolításának vagy felszerelésének módjáról lásd az „Akkumulátor felszerelése és eltávolítása”.
- Az akkumulátor ártalmatlanításakor vegye ki azt a szerszámból, és ártalmatlanítsa egy biztonságos helyen. Az akkumulátor ártalmatlanításakor tartsa be a helyi előírásokat.
- Ha a szerszám hosszabb ideig nincs használatban, az akkumulátort ki kell venni a szerszámból.
- Ne zárja rövidre az akkumulátort.
- A felhasználói karbantartás során követendő óvintézkedések részleteit lásd a „KARBANTARTÁS” fejezetben.

RÉSZLETES LEÍRÁS

Típus:		VC006GM
Maximális légtérfogat a gégecső végén	BL4050F esetén, ø28 mm x 3,5 m-es gégecsővel	2,0 m ³ /min
	BL4050F esetén, ø38 mm x 2,5 m-es gégecsővel	3,7 m ³ /min
Maximális légtérfogat a turbinánál (BL4050F esetén)		4,9 m ³ /min
Vákuum (BL4050F esetén)		18 kPa
Visszanyerhető kapacitás	Por	40 l
	Víz	30 l
Méretek (H x Sz x M)		586 mm x 385 mm x 598 mm
Névleges feszültség		72 V - 80 V max., egyenáram
Nettó tömeg		18,4 - 20,8 kg
Védettségi fokozat		IPX4

- Folyamatos kutató- és fejlesztőprogramunk eredményeként az itt felsorolt tulajdonságok figyelmeztetés nélkül megváltozhatnak.
- A műszaki adatok országról országra különbözhetnek.
- A súly a tartozékok nélkül, de az akkumulátorral/akkumulátorokkal együtt értendő. A készülék és az akkumulátor(ok) súlyának kombinációi a táblázatban láthatók.

Alkalmazható akkumulátorok és töltők

Akkumulátor	BL4020 / BL4025 / BL4040* / BL4050F* / BL4080F* * : Javasolt akkumulátor
Töltő	DC40RA / DC40RB / DC40RC

- Lakóhelyétől függően előfordulhat, hogy a fent felsorolt akkumulátorok és töltők nem érhetőek el.

▲ FIGYELMEZTETÉS: Csak a fentiekben felsorolt akkumulátorokat és töltőket használja. Bármilyen más akkumulátor vagy töltő használata sérüléseket és/vagy tüzet okozhat.

Szimbólumok

A következőkben a berendezésen esetleg használt jelképek láthatók. A szerszám használata előtt bizonyosodjon meg arról hogy helyesen értelmezi a jelentésüket.



Olvassa el a használati utasítást.



Legyen különösen elővigyázatos és figyelmes.



Figyelmeztetés! A porszívó egészségre ártalmas port tartalmazhat.



Soha ne álljon a porszívóra.



Ne tegyen semmit, ami nehezebb mint 20 kg (44 lbs) a porszívóra.



M (közepes) porosztály: olyan por leválasztásához, amelynek foglalkozási expozíciós határértéke nem kevesebb mint $0,1 \text{ mg/m}^3$. A porszívó L és M osztályú por felszívására képes. Kövesse az adott országban érvényes porra és munkahelyi egészségvédelemre és biztonságra vonatkozó előírásokat.



Csak EU-tagállamok számára
Mivel a berendezésben veszélyes alkatrészek vannak, az elektromos és elektronikus berendezések, akkumulátorok és elemek hulladékai negatív hatással lehetnek a környezetre és az emberi egészségre. Az elektromos és elektronikus készülékeket vagy akkumulátorokat ne dobja a háztartási szeméttel!
Az elektromos és elektronikus berendezések hulladékairól és az akkumulátorokról és elemekről, valamint az akkumulátorok és elemek hulladékáról szóló európai irányelvek, valamint a nemzeti jogszabályokhoz történő adaptálásának megfelelően a használt elektromos berendezéseket, elemeket és akkumulátorokat külön kell tárolni, és a települési hulladék elkülönített gyűjtőhelyére kell szállítani a környezetvédelmi előírásoknak megfelelően. Ezt jelzi a berendezésen elhelyezett áthúzott kerek kuka szimbólum.

Rendeltetés

A készülék nedves és száraz por összegyűjtésére szolgál. A készülék ipari célokra, például szállodákban, iskolákban, kórházakban, gyárakban, üzletekben, hivatalokban és kölcsönzőkben való használatra alkalmas.

Jaj

A tipikus A-súlyozású zajszint, a EN60335-2-69 szerint meghatározva:

Hangnyomásszint (L_{pA}): 70 dB(A) vagy kisebb
Bizonytalanság (K): 2,5 dB(A)

A zajszint a munkavégzés során meghaladhatja a 80 dB (A) értéket.

MEGJEGYZÉS: A zajkibocsátás értéke a szabványos vizsgálati eljárásnak megfelelően lett mérve, és segítségével az elektromos kéziszerszámok összehasonlíthatók egymással.

MEGJEGYZÉS: A zajkibocsátás értékének segítségével előzetesen megbecsülhető a rezgésnek való kitettség mértéke.

▲ FIGYELMEZTETÉS: Viseljen fülvédőt!

▲ FIGYELMEZTETÉS: A szerszám zajkibocsátása egy adott alkalmazásnál eltérhet a megadott értéktől a használat módjától, különösen a feldolgozott munkadarab fajtájától függően.

▲ FIGYELMEZTETÉS: Határozza meg a kezelő védelmét szolgáló munkavédelmi lépéseket, melyek az adott munkafeltételek melletti vibrációs hatás becslült mértékén alapulnak (figyelembe véve a munkaciklus elemeit, mint például a gép leállításának és üresjáratának mennyiségét az elindítások száma mellett).

Vibráció

A vibráció teljes értéke (háromtengelyű vektorösszeg) az EN60335-2-69 szerint meghatározva:

Rezgéskibocsátás ($a_{h,m}$): $2,5 \text{ m/s}^2$ vagy kisebb
Bizonytalanság (K): $1,5 \text{ m/s}^2$

MEGJEGYZÉS: A rezgés teljes értéke a szabványos vizsgálati eljárásnak megfelelően lett mérve, és segítségével az elektromos kéziszerszámok összehasonlíthatók egymással.

MEGJEGYZÉS: A rezgés teljes értékének segítségével előzetesen megbecsülhető a rezgésnek való kitettség mértéke.

▲ FIGYELMEZTETÉS: A szerszám rezgés-kibocsátása egy adott alkalmazásnál eltérhet a megadott értéktől a használat módjától, különösen a feldolgozott munkadarab fajtájától függően.

▲ FIGYELMEZTETÉS: Határozza meg a kezelő védelmét szolgáló munkavédelmi lépéseket, melyek az adott munkafeltételek melletti vibrációs hatás becslült mértékén alapulnak (figyelembe véve a munkaciklus elemeit, mint például a gép leállításának és üresjáratának mennyiségét az elindítások száma mellett).

EK Megfelelőségi nyilatkozat

Csak európai országokra vonatkozóan

Az EK-megfelelőségi nyilatkozat az útmutató „A” mellékletében található.

BIZTONSÁGI FIGYELMEZTETÉS

A vezeték nélküli porszívóra vonatkozó biztonsági figyelmeztetések

▲ FIGYELMEZTETÉS: FONTOS: HASZNÁLAT ELŐTT MINDENKÉPP OLVASSA EL az összes biztonsági figyelmeztetést és utasítást. Ha nem tartja be a figyelmeztetéseket és utasításokat, akkor áramütés, tűz és/vagy súlyos sérülés következhet be.

1. A porszívót csak olyan személyek használhatják, akik ismerik a kezelésére vonatkozó tudnivalókat.
2. Használat előtt tájékoztatást, utasításokat és oktatást kell biztosítani a kezelőknek a gép használatáról és arról, milyen anyagokhoz használható, ideértve az összegyűjtött anyagok eltávolításának és ártalmatlanításának biztonságos módszerét.
3. Ha hab/folyadék távozik a készülékből, azonnal kapcsolja ki.
4. Rendszeresen tisztítsa a vízszinthatároló készüléket, és rendszeresen ellenőrizze az épségét.
5. Használat előtt mindig győződjön meg róla, hogy a szűrőket megfelelően szerelték be. Ne használja a porszívót szűrők nélkül. Ha a szűrő megsérült, haladéktalanul cserélje ki. Javasoljuk, hogy legyen belőlük tartaléka, hiszen a szűrők fogyóeszközök.
6. KERÜLJE EL A KÉSZÜLÉK VÉLETLENszerű ELINDÍTÁSÁT. Győződjön meg arról, hogy a készülék kikapcsolt állapotban van, mielőtt beleteszi az akkumulátor(ok)at.
7. Ne szívjon fel gyúlékony anyagokat, tűzijátékokat, égő cigarettát, forró hamut, forró fémforgácsot, valamint éles tárgyakat, pl. borotvát, tűt, üvegcserepeket és hasonlókat.
8. TILOS A PORSZÍVÓT BENZIN, GÁZ, FESTÉK, RAGASZTÓ ÉS MÁS ROBBANÉKONY ANYAGOK KÖZELÉBEN HASZNÁLNI. A kapcsoló be- és kikapcsoláskor szikrázik. Működés közben a motor kommutátora is szikrákat bocsát ki. A szikrák pedig robbanást okozhatnak.
9. Tilos mérgező, rákkeltő, gyúlékony és más veszélyes anyagot, például azbesztest, arzént, báriumot, berilliumot, ólmot, növényvédő szert és más egészségre ártalmas szert felporszívózni.
10. Mindig vízszintes sík felületre helyezze a porszívót, hogy megakadályozza a leesését vagy a véletlen elmozdulását.
11. Soha ne használja a porszívót szabad téren, esőben.
12. Finnország esetén a gépet nem szabad kültéren, alacsony hőmérsékleten használni.
13. Ne használja tűzhely vagy más hőforrás közelében.
14. Ha a kiáramló levegőt visszavezetik a szobába, biztosítani kell a helyiségben a megfelelő légcseresebességet. Hivatkozni szükséges a nemzeti szabályzatokra.
15. Ne zárja el a szívónyílást/kifúvónyílást/szellőzőnyílásokat. Ezeken keresztül hűl a motor. Feltétlenül meg kell akadályozni ezek elzáródását, mert a szellőzés megszűnése a motor leégését okozza.
16. Mindig megfelelően szilárd helyzetben és egyensúlya megtartásával dolgozzon.
17. A gégecsövet ne hajlítsa meg, ne húzza és ne lépjen rá.
18. Azonnal kapcsolja ki a porszívót, ha teljesítménye csökkent, vagy más rendellenességet észlel működés közben.
19. TÁVOLÍTSA EL AZ AKKUMULÁTOR(OK)T. Amikor a készüléket nem használja, amikor javítást végez rajta, és amikor tartozékokat cserél.
20. Minden használat után tisztítsa meg és vizsgálja át a készüléket, hogy az mindig kifogástalan állapotban legyen.
21. A PORSZÍVÓ KARBANTARTÁSA. A hatékony és biztonságos működés érdekében mindig tartsa tisztán a porszívót. Tartsa be a tartozékok cseréjére vonatkozó útmutatásokat. A fogantyúkat/karokat tartsa szárazon, tisztán, valamint olaj- és zsírmentesen.
22. A SÉRÜLT ALKATRÉSZEK VIZSGÁLATA. A porszívó használata előtt vizsgálja meg alaposan a sérült védőburkolatokat vagy más alkatrészeket, és döntse el, hogy működőképesek-e. Ellenőrizze a mozgó részek illeszkedését és rögzítését, az alkatrészek vagy a szerelvények törését vagy bármely olyan körülményt, amely hatással lehet a gép működésére. A sérült védőfelszerelést vagy alkatrészeket hivatalos szervizközpontban megfelelő módon kell javítani vagy cseréltetni, kivéve, ha a jelen használati utasítás másként rendelkezik. A hibás csatlakozásokat cseréltesse ki hivatalos szervizközpontban. Ne használja a porszívót, ha nem lehet be- vagy kikapcsolni a kapcsolóval.
23. A felhasználói szervizhez a gépet szét kell szedni, meg kell tisztítani, és szervizelni kell, amennyire ésszerűen kivitelezhető, anélkül, hogy veszélyeztetné a karbantartó személyzetet és másokat.
24. A gépet a gyártónak vagy egy képzett személynek legalább évente meg kell vizsgálnia, éz állhat például a szűrők esetleges sérülésének, a gép légzárásának, valamint a vezérlőmechanizmusok megfelelő működésének vizsgálatából.
25. Szervizelési vagy javítási műveletek végrehajtásakor minden olyan szennyezett elemet, amelyet nem lehet kielégítően megtisztítani vagy ártalmatlanítani, vízhatlan zsákban kell ártalmatlanítani az ilyen hulladékok ártalmatlanításáról szóló hatályos szabályozással összhangban.
26. TARTALÉK ALKATRÉSZEK. Javításhoz csak az eredetivel azonos tartalék alkatrészeket használjon.
27. A HASZNÁLATON KÍVÜLI KÉSZÜLÉK TÁROLÁSA. A használaton kívüli porszívót zárt térben kell tárolni.
28. A nedves szűrőket és a folyadéktartály belső részét tárolás előtt ki kell szárítani.
29. Bányon óvatosan a porszívóval. A durva kezeléstől még a legmasszívabb kivitelű porszívó is elromolhat.
30. Ne használjon a készülék belső vagy külső részeinek tisztításához benzint, hígítót vagy tisztító vegyszereket. A felsorolt anyagok repedéseket és elszíneződést okozhatnak.
31. Ne használja a porszívót olyan zárt térben, ahol olajbázisú festékek, festékkihígítók, benzin, bizonyos molyirtószerek gyúlékony, robbanékony vagy mérgező gőzöket bocsátanak ki, vagy ahol gyúlékony porok találhatóak.

32. Sem ezt, sem egyéb szerszámot ne használjon gyógyszer vagy alkohol hatása alatt.
33. Alapvető biztonsági felszereléseként használjon porvédő szemüveget vagy oldalsó védőlemezrel ellátott védőszemüveget.
34. Poros környezetben viseljen porvédő maszkot.
35. A gépet nem használhatja(k) korlátozott testi és szellemi képességű vagy olyan személyek, akiknek érzékelése nem tökéletes (beleértve a gyerekeket is), illetve nem rendelkeznek megfelelő tapasztalattal és tudással.
36. Ügyelni kell arra, hogy gyermekek ne játszhassanak a porszívóval.
37. Ne nyúljon az akkumulátor(ok)hoz és a porszívóhoz nedves kézzel.
38. Legyen különösen óvatos, ha lépcsőn használja a porszívót.
39. Ne használja a porszívót állványként vagy munkafejületeként. A gép elődőlhet, és személyi sérülést okozhat.

Akkumulátoros szerszám használata és karbantartása

1. Csak a gyártó által meghatározott töltővel töltsé fel az akkumulátort. Egy bizonyos akkumulátortípushoz használható töltő más akkumulátortípussal való használata tűzveszélyt idézhet elő.
2. A szerszámgépeket kizárólag a meghatározott akkumulátorokkal használja. Egyéb akkumulátorok használata sérülés vagy tűz kockázatával járhat.
3. Amikor az akkumulátort nem használja, tartsa távol a többi fémtárgytól, például irratkapszoktól, érméktől, kulcsoktól, szögektől, csavaroktól vagy egyéb olyan apró fémtárgyaktól, amelyek összekötést hozhatnak létre a pólusok között. Az akkumulátor pólusainak rövidre zárása égési sérüléseket vagy tüzet okozhat.
4. Helytelen működtetés esetén az akkumulátorból folyadék kerülhet ki; kerülje az ezzel való érintkezést. Ha véletlenül mégis érintkezése kerülne a folyadékkal, mossa le azt vízzel. Ha a folyadék szemébe jut, azonnal forduljon orvoshoz segítségért. Az akkumulátorból származó folyadék irritációt és égéseket okozhat.
5. Ne használjon sérült vagy módosított akkumulátort vagy szerszámot. A sérült vagy módosított akkumulátorok váratlan módon viselkedhetnek, melynek következtében tüzet, robbanást vagy sérülést okozhatnak.
6. Ne tegye ki az akkumulátort és a szerszámot nyílt lángnak vagy túlzott hőhatásnak. A tűz hatása és a 130 °C feletti hőmérséklet robbanást okozhat.
7. A töltésre vonatkozó minden utasítást tartson be, ne töltsé az akkumulátort vagy a szerszámot a megadott hőmérséklettartományon kívül. A nem megfelelő módú és nem megfelelő hőmérsékleten történő töltés az akkumulátor károsodásával járhat, valamint tüzet okozhat.

ŐRIZZE MEG EZEKET AZ UTASÍTÁSOKAT.

▲FIGYELMEZTETÉS: NE HAGYJA, hogy (a termék többszöri használatából eredő) kényelem és megszokás váltsa fel a termék biztonsági előírásainak szigorú betartását. A **HELYTELEN HASZNÁLAT** és a használati útmutatóban szereplő biztonsági előírások megszegése súlyos személyi sérülésekhez vezethet.

Fontos biztonsági utasítások az akkumulátorra vonatkozóan

1. Az akkumulátor használata előtt tanulmányozza át az akkumulátortöltőt (1), az akkumulátort (2) és az akkumulátorral működtetett terméken (3) olvasható összes utasítást és figyelmeztető jelzést.
2. Ne szerelje szét, és ne módosítsa az akkumulátort. Tüzet, túlzott hőt vagy robbanást okozhat.
3. Ha a működési idő nagyon lerövidült, azonnal hagyja abba a használatot. Ez a túlmelegedés, esetlegesen égések és akár robbanás veszélyével is járhat.
4. Ha elektrolit kerül a szemébe, mossa ki azt tiszta vízzel és azonnal kérjen orvosi segítséget. Ez a látásának elvesztését okozhatja.
5. Ne zárja rövidre az akkumulátort:
 - (1) Ne érjen az érintkezőkhöz elektromosan vezető anyagokkal.
 - (2) Ne tárolja az akkumulátort más fémtárgyakkal, mint pl. szegekkel, érmékkel, stb. egy helyen.
 - (3) Ne tegye ki az akkumulátort víznek vagy esőnek.
 Az akkumulátor rövidzárlata nagy áramerősséget, túlmelegedést, égéseket, sőt akár meghibásodást is okozhat.
6. Ne tárolja és használja a szerszámot vagy az akkumulátort olyan helyen, ahol a hőmérséklet elérheti vagy meghaladhatja az 50 °C-t (122 °F).
7. Ne égesse el az akkumulátort még akkor sem, ha az komolyan megsérült vagy teljesen elhasználódott. Az akkumulátor a tűzben felrobbanhat.
8. Ne szúrja meg, ne vágja meg, ne törje össze, ne dobja el és ne ejtse le az akkumulátort, illetve ne üsse hozzá kemény tárgyhoz. Az ilyen magatartás tüzet, túlzott hőt vagy robbanást okozhat.
9. Ne használjon sérült akkumulátort.
10. A készülékben található lítium-ion akkumulátorokra a veszélyes árukkal kapcsolatos előírások vonatkoznak.

A termék pl. harmadik felek, fuvarozó cégek stb. által történő szállítása esetén minden esetben tartsa szem előtt a csomagoláson és a címkén található speciális követelményeket.

A termék szállításra történő felkészítése esetén vegye fel a kapcsolatot egy veszélyes anyagokkal foglalkozó szakemberrel. Kérjük, hogy az esetlegesen szigorúbb nemzeti előírásokat is vegye figyelembe.

Ragassza le a kiálló érintkezőket, illetve oly módon csomagolja be az akkumulátort, hogy az ne tudjon elmozdulni a csomagolásban.

11. Az akkumulátor ártalmatlanításakor vegye ki azt a szerszámból, és ártalmatlanítsa egy biztonságos helyen. Az akkumulátor ártalmatlanításakor tartsa be a helyi előírásokat.
12. Az akkumulátorokat csak a Makita által megjelölt termékekhez használja. Ha az akkumulátorokat azokkal nem kompatibilis termékekbe helyezi, az tűzhez, túlmelegedéshez, robbanáshoz vagy elektrolitszivárgáshoz vezethet.
13. Ha a szerszám hosszabb ideig nincs használatban, az akkumulátort ki kell venni a szerszámból.
14. Használat közben és után az akkumulátor felforrósodhat, ami égési sérülést vagy alacsony hőmérsékletű égési sérülést okozhat. Figyeljen oda a forró akkumulátor kezelésére.
15. Ne érintse meg közvetlenül a szerszám érintkezőjét, mert elég forró lehet ahhoz, hogy égési sérüléseket okozzon.
16. Ne engedje, hogy forgács, por vagy sár tapadjon az akkumulátor érintkezőire, lyukaiba és hornyaiba. Az felmelegedést, tüzet, robbanást és a szerszám vagy az akkumulátor meghibásodását okozhatja, ami égési és személyi sérülésekhez vezet.
17. Hacsak a szerszám nem támogatja a nagyfeszültségű elektromos vezetékek közelében történő használatot, ne használja az akkumulátort nagyfeszültségű elektromos vezetékek közelében. Az a szerszám vagy az akkumulátor hibás működését vagy meghibásodását okozhatja.
18. Tartsa távol a gyermekektől az akkumulátort.

ŐRIZZE MEG EZEKET AZ UTASÍTÁSOKAT.

⚠ VIGYÁZAT: Csak eredeti Makita akkumulátorokat használjon. A nem eredeti Makita akkumulátorok vagy módosított akkumulátorok használata esetén az akkumulátor felrobbanhat, ami tüzet, személyi sérülést és anyagi kárt okozhat. A Makita szerszámra és töltőre vonatkozó Makita garanciát is érvénytelenítheti.

Tippek az akkumulátor maximális élettartamának eléréséhez

1. Töltse fel az akkumulátort, mielőtt teljesen lemerülne. Állítsa le a gépet, és töltse fel az akkumulátort, ha a gép erejének csökkenését észleli.
2. Soha ne töltse újra a teljesen feltöltött akkumulátort. A túltöltés csökkenti az akkumulátor élettartamát.
3. Töltse az akkumulátort szobahőmérsékleten, 10 °C - 40 °C (50 °F - 104 °F) között. Töltés előtt hagyja lehűlni a felforrósodott akkumulátort.
4. Ha nem használja az akkumulátort, vegye ki a szerszámból vagy a töltőből.
5. Töltse fel az akkumulátort, ha hosszabb ideje (több mint hat hónapja) nem használta azt.

Fontos biztonsági utasítások a vezeték nélküli egységhez

1. Soha ne nyissa ki egyedül a nyílás fedelét a vezeték nélküli egység beszerelése után.
2. Ne szerelje szét és ne módosítsa a vezeték nélküli egységet.
3. Tartsa távol a gyermekektől a vezeték nélküli egységet. Véletlen lenyelés esetén azonnal kérjen orvosi segítséget.
4. A vezeték nélküli egységet csak Makita szerszámokkal használja.
5. Ne tegye ki a vezeték nélküli egységet esőnek vagy nedves körülményeknek.
6. Ne használja a vezeték nélküli egységet olyan helyen, ahol a hőmérséklet meghaladja a 50 °C.
7. Ne használja a vezeték nélküli egységet orvosi berendezések, például pacemaker közelében.
8. Ne használja a vezeték nélküli egységet automatizált berendezések közelében. A működése közben az automatizált berendezések rendellenesen működhetnek vagy meghibásodhatnak.
9. Ne működtesse a vezeték nélküli egységet magas hőmérsékletű helyen olyan helyen, ahol statikus elektromosság vagy elektromos zaj keletkezhet.
10. A vezeték nélküli egység a felhasználóra veszélyt nem jelentő elektromágneses mezőket (EMF) hozhat létre.
11. A vezeték nélküli egység finom műszer. Vigyázzon, nehogy leejtse, vagy ütés érje a vezeték nélküli egységet.
12. Ne érintse meg a vezeték nélküli egység érintkezőit pusztán kézzel vagy fémes anyaggal.
13. A vezeték nélküli egység beszerelésekor mindig távolítsa el a termék akkumulátorát.
14. A nyílás fedelének nyitáskor kerülje az olyan helyeket, ahol por vagy víz juthat a nyílásba. Mindig tartsa tisztán a bemeneti nyílást.
15. A vezeték nélküli egységet csak a helyes irányban illessze be.
16. Ne nyomja meg túl erősen és/vagy éles szélekkel rendelkező tárggyal a vezeték nélküli egységen található vezeték nélküli aktiválás gombot.
17. A nyílás fedelét a használatot követően mindig zárja be.
18. Ne távolítsa el a vezeték nélküli egységet a nyílásból, amíg a szerszám gép áram alatt van. Ha így tesz, az a vezeték nélküli egység meghibásodásához vezethet.
19. Ne távolítsa el a vezeték nélküli egységen található matricát.
20. Ne ragasszon matricát a vezeték nélküli egységre.
21. Ne hagyja olyan helyen a vezeték nélküli egységet, ahol statikus elektromosság vagy elektromos zaj keletkezhet.
22. Ne hagyja a vezeték nélküli egységet olyan helyen, ahol az magas hőmérsékletnek lehet kitéve, például egy autóban a napon.
23. Ne hagyja a vezeték nélküli egységet poros helyen, vagy olyan helyen, ahol korrozív gáz képződhet.

24. A hirtelen hőmérsékletváltozás következtében pára csapódhat le a vezeték nélküli egységen. Ne használja a vezeték nélküli egységet, amíg teljesen meg nem száradt.
25. A vezeték nélküli egység tisztításakor törölje át puha ronggyal. Ne használjon benzint, hígítót, vezető kenőanyagot vagy más hasonló anyagot.
26. A vezeték nélküli egységet a vele szállított tokban vagy antisztatikus tárolóban tárolja.
27. A szerszámgépen található nyílásba csak a Makita vezeték nélküli egységet csatlakoztassa.
28. Ne használja a szerszámgépet, ha a nyílás fedele sérült. A nyílásba bejutó víz, por és szennyeződések hibát okozhatnak.
29. Ne húzza és/vagy fordítsa el a fedelet a szükségesnél nagyobb mértékben. Szerelje vissza a fedelet, ha leválik a szerszámgépről.
30. Ha a nyílás fedele elveszik vagy megsérül, cserélje ki.

ŐRIZZE MEG EZEKET AZ UTASÍTÁSOKAT.

A MŰKÖDÉS LEÍRÁSA

⚠ VIGYÁZAT: Mielőtt bármiféle beállítást vagy ellenőrzést végezne a készüléken, minden esetben ellenőrizze, hogy a készülék ki van-e kapcsolva és az akkumulátorok eltávolításra kerültek-e.

Az akkumulátor behelyezése és eltávolítása

⚠ VIGYÁZAT: Mindig kapcsolja ki az eszközt, mielőtt behelyezi vagy eltávolítja az akkumulátort.

⚠ VIGYÁZAT: Az akkumulátor behelyezésekor vagy eltávolításakor erősen fogja meg a porszívót és az akkumulátort, azok kicsúszhatnak a kezei közül, ami a porszívó és az akkumulátor károsodásához, de akár személyi sérüléshez is vezethet.

⚠ VIGYÁZAT: Vigyázzon, hogy az akkumulátorfedél kinyitásakor és bezárásakor ne csípje be az ujját. Ennek elmulasztása személyi sérüléseket okozhat.

Az akkumulátor beszereléséhez először nyissa ki a reteszt, majd nyissa ki az akkumulátorfedeleket. Ezután szerelje be az akkumulátort.

► **Ábra1:** 1. Retesz 2. Akkumulátorfedél

Illesse az akkumulátor nyelvét a burkolaton található vágatba, és csúsztassa a helyére. Egészen addig tolja be, amíg az akkumulátor egy kis kattánással a helyére nem ugrik. Ezután reteszelve be az akkumulátorfedeleket.

► **Ábra2:** 1. Akkumulátor 2. Gomb

Az akkumulátoregység kivételéhez nyomja be az akkumulátoregység elején található gombot, és húzza le az eszköztől.

⚠ VIGYÁZAT: Mindig nyomja be teljesen az akkumulátort. Ha nem így jár el, az akkumulátor kieshet a porszívóból, és önnnek vagy a környezetében tartózkodóknak sérülést okozhat.

⚠ VIGYÁZAT: Ne erőltesse az akkumulátort behelyezésre. Ha az akkumulátor nem csúszik be könnyedén, akkor nem megfelelően lett behelyezve.

MEGJEGYZÉS: A porszívó egy akkumulátorral nem használható.

Az akkumulátor töltöttségének jelzése

Nyomja meg az ellenőrzőgombot, hogy az akkumulátortöltöttség-jelző megmutassa a hátralévő akkumulátor-kapacitást. Ekkor a töltöttségiszint-jelző lámpák néhány másodpercre kigyulladnak.

► **Ábra3:** 1. Jelzőlámpák 2. Check (ellenőrzés) gomb

Jelzőlámpák			Töltöttségi szint
Világító lámpa	KI	Villogó lámpa	
■ ■ ■ ■			75%-tól 100%-ig
■ ■ ■ □			50%-tól 75%-ig
■ ■ □ □			25%-tól 50%-ig
■ □ □ □			0%-tól 25%-ig
▬ □ □ □			Töltse fel az akkumulátort.
■ ■ □ □	↑ ↓		Lehetséges, hogy az akkumulátor meghibásodott.

MEGJEGYZÉS: Az adott munkafeltételektől és a környezet hőmérsékletétől függően a jelzett töltöttségi szint némileg eltérhet a tényleges töltöttségi szinttől.

MEGJEGYZÉS: Az első (bal oldali szélső) jelzőlámpa villog, ha az akkumulátorvédő rendszer működik.

Akkumulátor jelzőfények a vezérlőpanelen

A hátralévő akkumulátor-kapacitást mindig meg lehet nézni a vezérlőpanelen. Nyomja meg az ellenőrzés gombot, és a bal és jobb jelzőfények megmutatják a hozzájuk tartozó akkumulátorok töltöttségi szintjét.

► **Ábra4:** 1. Bal oldali akkumulátor jelzőfénye 2. Jobb oldali akkumulátor jelzőfénye 3. Check (ellenőrzés) gomb

► **Ábra5**

Akkumulátor jelzőfényének állapota			Hátralevő akkumulátor-kapacitás
BE	KI	Villogó lámpa	
			50%-tól 100%-ig
			20%-tól 50%-ig
			0%-tól 20%-ig
			Töltse fel az akkumulátort
			Nincs behelyezve akkumulátor

MEGJEGYZÉS: Az akkumulátor jelzőfénye akkor működik, ha két akkumulátort helyezünk be.

MEGJEGYZÉS: Az akkumulátor jelzőfényei akkor is aktiválódnak, amikor a porszívó működni kezd.

Készülék-/akkumulátorvédő rendszer

A készülék készülék-/akkumulátorvédő rendszerrel van felszerelve. A rendszer automatikusan kikapcsolja a motor áramellátását, így megnöveli a készülék és az akkumulátor élettartamát. A készülék működés közben automatikusan leáll, ha a készülék vagy az akkumulátor a következő állapotok egyikébe kerül:

Túlterhelésvédelem

Ha a készüléket/akkumulátort úgy használják, hogy az rendellenesen nagy áramot vesz fel, a készülék automatikusan leáll. Ilyenkor kapcsolja ki a készüléket, és fejezze be azt a műveletet, amelyik a készülék túlterhelését okozta. Az újraindításhoz kapcsolja be a készüléket.

Túlmelegedés elleni védelem

BE	Villogó lámpa

A készülék túlmelegedéskor automatikusan leáll, és a bal és jobb oldali akkumulátor jelzőfény is villog. Ilyenkor hagyja lehűlni a készüléket és tisztítsa ki a szűrőket, mielőtt ismét bekapcsolná.

BE	Villogó lámpa

Amikor az akkumulátor túlmelegszik, a készülék automatikusan leáll, és az egyik túlmelegedett akkumulátort jelző fény villog. Ilyenkor hagyja lehűlni az akkumulátort, mielőtt ismét bekapcsolná a készüléket.

Mélykisütés elleni védelem

Amikor az akkumulátor kapacitása lecsökken, a készülék automatikusan leáll. Ha készülék a kapcsolókkal sem működtethető, távolítsa el az akkumulátorokat a készülékből, és töltsé fel azokat.

Egyéb okok elleni védelem

A védelmi rendszert más olyan okok ellen is tervezték, amelyek károsíthatják a készüléket és amelyek lehetővé teszik, hogy a készülék automatikusan leálljon. Hajtsa végre az alábbi összes lépést az okok tisztázása érdekében, ha a készülék ideiglenesen vagy teljesen leállt.

1. Kapcsolja ki a készüléket, majd kapcsolja be ismét az újraindításhoz.
2. Töltsé fel az akkumulátor(oka)t vagy cserélje ki azt/azokat újratöltött akkumulátorral.
3. Hagyja, hogy a készülék és az akkumulátor(ok) lehűljenek.

Ha nem történik javulás a védelmi rendszer helyreállítása után sem, forduljon a helyi Makita Szervizközpontoz.

A kapcsoló használata

A porszívó bekapcsolása

1. Állítsa a készenléti kapcsolót az „I” (BE) vagy az „AUTO” (BE) állásba, hogy felkészítse a porszívót a készenléti üzemmódba.
2. Nyomja meg a be-/kikapcsoló gombot. Visszaváltáshoz a készenléti üzemmódba nyomja meg újra a be-/kikapcsoló gombot.

A porszívó kikapcsolása

Az alábbi lépések egyikét hajtsa végre.

- Nyomja meg a be-/kikapcsoló gombot a porszívó visszaállításához a készenléti üzemmódba.
- Kapcsolja a készenléti kapcsolót az „O” (KI) állásba.

A szívóerőlejtésmény beállítása

A szívóerő az adott munkának megfelelően beállítható.

- Forgassa a szívóerő-szabályozó gombot balra a szívóerő csökkentéséhez.
- Forgassa a szívóerő-szabályozó gombot jobbra a szívóerő növeléséhez.

A gégecső átmérőjének kiválasztása

Fordítsa a gégecsőátmérő-választó tárcsát a használni kívánt gégecső átmérőjére.

MEGJEGYZÉS: Ne a számok közötti részre fordítsa a tárcsát. A tárcsát mindig a gégecső átmérőjének megfelelően fordítsa el.

- **Ábra6:** 1. Készenléti kapcsoló 2. Szívóerő-szabályozó gomb 3. Gégecsőátmérő-választó tárcsa 4. Be-/kikapcsoló gomb

MEGJEGYZÉS: Mindig állítsa a készenléti kapcsolót „O” állásba, ha hosszabb ideig nem használja a porszívót. A porszívó készenléti állapotban is fogyaszt áramot.

Figyelmeztető sípszó

Kétféle típusú sípoló hang van. Az egyik a rövid sípolások, a másik pedig a folyamatos sípolások.

- Amikor a levegő áramlási sebessége 20 m/s alá esik, a porszívó rövid figyelmeztető sípolásokat ad ki biztonsági okokból. Ha ezt hallja, ellenőrizze a gégecsőátmérő-választó tárcsát vagy azt, hogy a szívóerő nem túl alacsony-e. Ha a sípolások továbbra is hallhatóak, végezzen karbantartást, vagy forduljon a helyi szervizközpontoz.
- Amikor a tartály megtelik folyadékkal, a porszívó folyamatos figyelmeztető sípolásokat ad ki, és automatikusan leáll. Miután a porszívó leállt, kapcsolja ki a porszívót és ürítse ki a tartályt.

Szívás automatikus leállítása nedves por felszívása közben

FIGYELMEZTETÉS: Ne szívjon fel a készülékkel habot vagy szappanos folyadékot. Ilyenkor hab léphet ki a szellőzőnyíláson. Ha ilyen körülmények között tovább üzemelteti a porszívót, az meghibásodhat és áramütést okozhat.

A porszívóban működik egy mechanizmus, amely megakadályozza, hogy egy bizonyos mennyiségnél több víz felszívásakor víz árrassa el a motort.

Amikor a tartály tele van folyadékkal, a porszívó folyamatos figyelmeztető sípolásokat ad ki, és automatikusan leáll. Miután a porszívó leállt, kapcsolja ki a porszívót és ürítse ki a tartályt.

Szűrőtisztító rendszer

Ez a készülék szűrőtisztító rendszerrel rendelkezik. A készülék használata során a szűrőtisztító rendszer automatikusan portalaníja a szűrőket, hogy megakadályozza a szívóerő csökkenését a szűrők eltömődése miatt.

Ha a készülék egyszerre nagy mennyiségű port szív fel, a szívóerő csökkenhet. Ebben az esetben kézi szűrőtisztítás ajánlott.

1. Kapcsolja ki a készüléket.
2. Állítsa a szívóteljesítményt maximálisra, majd tenyerével zárja le a szívócső-nyílást.
3. Kapcsolja be a készüléket, és körülbelül 15 másodpercig működtesse a készüléket zárt szívócső-nyílással.

► **Ábra7:** 1. Szívócső-nyílás

MEGJEGYZÉS: A levegő mennyisége változhat a szűrőtisztító rendszer aktiválása közben, de az nem jelent hibás működést.

Vízleeresztés

Amikor a tartály tele van folyadékkal, kapcsolja ki a porszívót, és nyissa ki a vízleeresztő sapkát a tartály kiürítéséhez.

► **Ábra8:** 1. Vízleeresztő sapka

Dugó

A sapka a készülékhez mellékelte. A sapka felszerelése a gégecső csatlakozónyílására megakadályozza, hogy a felszívott por kijusson a porszívóból.

► **Ábra9:** 1. Sapka

A görgők lezárása és kioldása

Az elülső görgőket rögzítőkkal le lehet zárni, hogy a porszívó mozdulatlan maradjon. Engedje le a rögzítőkart kézzel a görgő lezárásához és emelje fel a kioldásához.

► **Ábra10:** 1. Görgő 2. Rögzítőkart 3. SZABAD helyzet 4. ZÁRT helyzet

MEGJEGYZÉS: A porszívó mozgatása előtt mindig győződjön meg arról, hogy a görgő nincs rögzítve. Ha rögzített görgővel mozgatja a porszívót, a görgő megsérülhet.

Hordozófogantyú

VIGYÁZAT: Megfelelő gondossággal emelje fel és szállítsa a készüléket. Ellenkező esetben személyi sérülés vagy a készülék károsodása történhet.

A porszívót mindig a fő egységen található fogantyúnál fogva kell szállítani. A fogantyú visszahúzható a fő egységbe, amikor nem használja azt.

► **Ábra11**

Ha a készüléket nehéz egyedül hordozni, két ember szállítsa azt az ábrán látható módon.

► **Ábra12**

► **Ábra13**

ÖSSZESZERELÉS

FIGYELMEZTETÉS: Az egység veszélyes port tartalmazhat. A szűrőelemek és a porzsák cseréjekor vagy karbantartáskor mindig használjon P2-es légzőkészüléket.

VIGYÁZAT: Ha a készüléken különféle munkálatokat szeretne végezni, előtte feltétlenül kapcsolja ki a készüléket, és vegye ki belőle az akkumulátorokat.

A szűrőzsák behelyezése és kiürítése

FIGYELMEZTETÉS: Mindig használjon P2-es légzőkészüléket.

FIGYELMEZTETÉS: Szűrőzsák használata előtt ellenőrizze, hogy a szűrőegységgel együtt használják. Ha nem a szűrőegységgel együtt használja, az szokatlanul nagy zajhoz és hőhöz, illetve tűzhez vezethet.

FIGYELMEZTETÉS: Ha a készüléket M porosztályhoz használja, mindig ügyeljen arra, hogy használjon szűrőzsákot.

MEGJEGYZÉS: Ne szívjon fel vizet, más folyadékot vagy nedves port, amikor szűrőzsákot használ. Ha ilyen anyagokat szív fel, a szűrőzsák kiszakadhat.

1. Oldja ki a rögzítőkarokat és emelje le a fő egységet a tartályról.

▶ **Ábra14:** 1. Rögzítőkar

2. Hajtson szét egy szűrőzsákot.

3. Illessze a szűrőzsák nyílását a tartály porbemenetéhez.

4. Helyezze a szűrőzsák kartonrészét a szerszámra úgy, hogy a rögzítőpecek kiszögellésének végéhez illeszti.

▶ **Ábra15:** 1. Szűrőzsák 2. Kartonlap nyílás 3. Szűrőzsák tartója 4. Porbemenet 5. Szél

A szűrőzsák eldobásakor húzza meg a szélét a szűrőzsák száján úgy, hogy a száj egy papírral záródjon.

A polietilén zsák behelyezése

Opcionális kiegészítők

Fektesse a polietilén zsákot a tartályra, és csúsztassa a zsák szájának egyik felső szélét a tartólap és a tartály elülső fala közé.

Majd, terítse szét a zsák másik felső széléit kifelé a tartály felső peremeire.

Polietilén zsák használható a szűrőzsákkal.

▶ **Ábra16:** 1. Tartólap 2. Tartály elülső fala 3. Polietilén zsák

MEGJEGYZÉS: Erre a célra megfelelnek az üzletekben kapható polietilén zsákok. Az ajánlott vastagság nagyobb mint 0,04 mm és a kerület pedig nagyobb mint 2 000 mm.

MEGJEGYZÉS: A túl sok por könnyen kiszakítja a polietilén zsákot, ezért ne töltse túl a zsákot. A nehéz zsák kidobása megterhelő lehet az emberi test számára.

A polietilén zsákos tartály ürítése

▲ FIGYELMEZTETÉS: Minden esetben ellenőrizze, hogy a porszívó ki van kapcsolva, és az akkumulátorok eltávolításra kerültek, mielőtt kiüriti a tartályt. Ennek elmulasztása áramütést vagy súlyos személyi sérülést okozhat.

MEGJEGYZÉS: Legalább naponta egyszer ürítse ki a tartályt – de az ürítés gyakorisága az összegyűlt por mennyiségétől is függ. Ha nem üríti rendszeresen, csökkenhet a szívóerő, és tönkremehet a motor.

MEGJEGYZÉS: A tartály kiürítésekor ne a rögzítőkarokat fogja. A rögzítőkarok a megmarkolásuk miatt letérhetnek.

1. Oldja ki a rögzítőkarokat és emelje le a fő egységet a tartályról.

2. Vegye ki a polietilén zsákot a tartályból, a zsák nyílását kézzel lezárva.

▶ **Ábra17:** 1. Polietilén zsák 2. Tartály

MEGJEGYZÉS: Óvatosan vegye ki a polietilén zsákot a tartályból, nehogy a tartály belső élei felszakítsák vagy kilyukasszák.

MEGJEGYZÉS: Ürítse ki a polietilén zsákot, mielőtt az megtelne. Ha túl sok por van a tartályban, a polietilén zsák kiszakadhat.

A gégecső felszerelése

MEGJEGYZÉS: Soha ne hajlítsa meg erővel a gégecsövet, és ne lépjen rá. Soha ne mozgassa a porszívót a gégecsővel húzva. Az erőltetett hajlítás, a taposás és húzás következtében a gégecső deformálódhat vagy elrepedhet.

MEGJEGYZÉS: Gyaluforgács, betonpor és más hasonló nagy méretű hulladékok porszívózásakor használjon 38 mm belső átmérőjű gégecsövet (opcionális tartozék). Ha ilyen esetekben 28 mm-es belső átmérőjű gégecsövet (opcionális tartozék) használ, az eltömődhet és tönkremehet.

MEGJEGYZÉS: Mindig tegye a sapkát a szerelőnyílásra, amikor leveszi a gégecsövet a porszívóról.

Csatlakoztatás a porszívóhoz

Távolítsa el a sapkát a szerelőnyílásról. A sapkát a porszívó hátsó részén lehet tárolni, amíg a gégecső a porszívóhoz van csatlakoztatva.

▶ **Ábra18:** 1. Sapka

Illessze a gégecső végét a porszívó porbemenetéhez (gégecső bemenete), majd fordítsa el az óramutató járásával megegyező irányba, amíg a helyére nem rögzül.

▶ **Ábra19:** 1. Gégecső 2. Porbemenet (gégecső bemenete)

Csatlakozók az elektromos szerszámgépeihez (Országfüggő)

A porszívót a rendelkezésre álló szerszámgépeihez csatlakoztatva porszívóként működik a szerszámgépekhez.

Válassza ki az egyik elülső karmantyút vagy csatlakozót (opcionális kiegészítők), amelyek a legjobban megfelel a szerszáma típusának. Helyezze a karmantyút vagy csatlakozót, ahogy szükséges, a porszívó gégevének elülső vége és a szerszáma porszívó nyílása közé.

▶ **Ábra20:** 1. Elülső karmantyúk vagy csatlakozó 2. Porszívó gégecsőve 3. Szerszámgép 4. Porszívó

A szívótartozékok felszerelése és eltávolítása

▲ VIGYÁZAT: A tartozék felszerelése után ellenőrizze, hogy biztonságosan van-e rögzítve. Ha a tartozék nem megfelelően van felszerelve, leeshet, és személyi sérülést okozhat.

Reteselő funkció nélküli tartozék használatakor

Opcionális kiegészítők

Nyomja a tartozékokat a porszívó szívónyílásához és kézzel forgassa a helyére.

Használat után kézzel fordítsa el a tartozékokat és húzza szét a tartozékokat és a szívónyílást.

▶ **Ábra21**

A MAKPAC telepítése

Opcionális kiegészítők

⚠ VIGYÁZAT: Ne álljon rá a készülék tetejére, és ne üljön rá. Az instabilitás miatt leeshet.

⚠ VIGYÁZAT: A MAKPAC telepítésekor legyen óvatos a működtetéssel. Ellenkező esetben személyi sérülés vagy a készülék károsodása történhet.

⚠ VIGYÁZAT: Amikor a MAKPAC a készülékre van szerelve, ne emelje fel a készüléket a MAKPAC fogantyújával.

⚠ VIGYÁZAT: A MAKPAC-kal felszerelt készülék mozgatásakor ne a MAKPAC-ot, hanem a készülék testét tolja. A MAKPAC tolására eltörhetnek a rugós reteszek és leejtheti a MAKPAC-ot, ami személyi sérülést okozhat.

A porszívó tetejére MAKPAC csatlakoztatható és egymásra rakható tárolódobozok telepíthetők. A tárolódobozok sok méretben is stílusban kaphatóak, hogy megfeleljenek a kívánásainak.

1. Hajtsa ki a rugós reteszeket a porszívó felső felületén.

▶ **Ábra22:** 1. Rugós retesz

2. Szerelje a MAKPAC dobozokat a porszívó tetejére és rögzítse a rugós reteszekkel.

▶ **Ábra23:** 1. Rugós retesz 2. MAKPAC

A MAKPAC telepítésének maximális magassága és súlya 315 mm és 20 kg.

▶ **Ábra24**

MŰKÖDTETÉS

⚠ FIGYELMEZTETÉS: Mindig használjon P2 légtisztító maszkot.

⚠ VIGYÁZAT: Ha hab vagy folyadék szökik ki a szerszámból, azonnal kapcsolja ki. Ha ilyenkor tovább üzemelteti a porszívót, az meghibásodhat, és áramütést okozhat.

VEZETÉK NÉLKÜLI AKTIVÁLÁS FUNKCIÓ

Opcionális kiegészítők

Mire használható a vezeték nélküli aktiválás funkció?

A vezeték nélküli aktiválás funkció tiszta és kényelmes munkavégzést tesz lehetővé. Ha egy támogatott szerszámgépet csatlakoztat a porszívóhoz, a porszívót automatikusan működtetheti a szerszámgép kapcsolójával.

▶ **Ábra25**

MEGJEGYZÉS: Tekintse át a szerszámgép használati útmutatóját, ha a porszívót a vezeték nélküli aktiválási funkcióval használja.

MEGJEGYZÉS: Ne szerelje szét és ne módosítsa a vezeték nélküli egységet.

MEGJEGYZÉS: Annak megelőzése érdekében, hogy por kerüljön a vezeték nélküli eszköz nyílásába, mindig zárja le biztonságosan a fedelet működés és tárolás közben.

MEGJEGYZÉS: Ne nyomja meg túl erősen és/vagy éles tárggyal a vezeték nélküli aktiválás gombot.

MEGJEGYZÉS: A vezeték nélküli aktiváláshoz vezeték nélküli egységgel rendelkező Makita szerszámgép szükséges.

MEGJEGYZÉS: Az egyes szerszámgépek első vezeték nélküli használata előtt a szerszámot regisztrálni kell. A szerszámgép regisztrációját követően nincs szükség ismételt regisztrációra, csak abban az esetben, ha azt visszavonták.

MEGJEGYZÉS: Regisztráció előtt győződjön meg arról, hogy a vezeték nélküli egység megfelelően van behelyezve.

MEGJEGYZÉS: Egy vezeték nélküli egység legfeljebb 10 kapcsolatot tud regisztrálni más vezeték nélküli egységekkel. Ha több mint 10 más vezeték nélküli egységet regisztrálnak egy vezeték nélküli egységhez, akkor az először regisztrált egység automatikusan törlődni fog.

MEGJEGYZÉS: A vezeték nélküli aktiválás gombjának elhelyezkedése az adott szerszámgéptől függ.

MEGJEGYZÉS: A porszívó beindítható a főkapcsoló gomb megnyomásával is, ha a készenléti kapcsoló „AUTO” állásban van.

A vezeték nélküli aktiválási funkció használatakor azonban a főkapcsoló nem működtethető.

A vezeték nélküli egység felszerelése

⚠ FIGYELMEZTETÉS: Csak akkor nyissa fel a fedelet, amikor először telepíti a vezeték nélküli egységet. Soha ne nyissa fel a fedelet a telepítés után.

⚠ VIGYÁZAT: Helyezze a porszívót sík és stabil felületre a vezeték nélküli egység felszereléséhez.

MEGJEGYZÉS: A vezeték nélküli egység felszerelése előtt tisztítsa meg a porszívót a portól és a szennyeződéstől. A por és a szennyeződés meghibásodást okozhat a vezeték nélküli egység nyílásába kerülve.

MEGJEGYZÉS: A statikus elektromosság által okozott meghibásodás elkerülése érdekében érintsen meg egy statikus kisütésre alkalmas anyagból, például fémből készült alkatrészt, mielőtt a vezeték nélküli egységhez érne.

MEGJEGYZÉS: A vezeték nélküli egység felszerelésekor ügyeljen rá, hogy a vezeték nélküli egységet a megfelelő irányban illessze be, és a fedél teljesen zárva legyen.

1. Az ábrának megfelelően lazítsa meg a csavart a porszívón található fedél kinyitásához.

► **Ábra26:** 1. Fedél 2. Csavar

2. Helyezze be a vezeték nélküli egységet a nyílásba.

A vezeték nélküli egység beillesztésekor igazítsa a nyúlványokat a nyílás süllyesztett részeihez.

► **Ábra27:** 1. Vezeték nélküli egység 2. Nyúlvány 3. Fedél 4. Süllyesztett rész

3. A fedél lezárásához teljesen húzza meg a csavart.

A szerszám gép regisztrációja a porszívóval

MEGJEGYZÉS: A szerszám gép-regisztrációhoz egy vezeték nélküli aktiválás funkciót támogató Makita szerszámmra van szükség.

MEGJEGYZÉS: A szerszám gép regisztrációjának megkezdése előtt szerelje be a vezeték nélküli egységet a szerszám gépbe.

MEGJEGYZÉS: A szerszám gép regisztrálása közben ne nyomja meg a szerszám gép kapcsológombját, és ne fordítsa el a tápkapcsolót a porszívón.

MEGJEGYZÉS: Tekintse át a szerszám gép használati útmutatóját is.

Ha a porszívót a szerszám gép kapcsolójával szeretné működésbe hozni, először végezze el a szerszám gép regisztrációját.

1. Helyezze be a vezeték nélküli egységeket a porszívóba és az eszközebe.

2. Helyezze be az akkumulátorokat a porszívóba és a szerszám gépbe.

3. Állítsa a porszívó készenléti kapcsolóját „AUTO” helyzetbe.

► **Ábra28:** 1. Készenléti kapcsoló

4. Tartsa nyomva a porszívó vezeték nélküli aktiválás gombját 3 másodpercig, amíg a vezeték nélküli aktiválás lámpája zölden nem villog. Ezután nyomja le ugyanígy a szerszám gép vezeték nélküli aktiválás gombját.

► **Ábra29:** 1. Vezeték nélküli aktiválás gomb 2. Vezeték nélküli aktiválás lámpája

A porszívó és a szerszám gép sikeres összekapcsolása esetén a vezeték nélküli aktiválás lámpája 2 másodpercig zölden világít, majd kéken kezd villogni.

MEGJEGYZÉS: A vezeték nélküli aktiválás lámpája a zölden villogást 20 másodperc elteltével fejezi be. Addig nyomja meg a szerszám gép vezeték nélküli aktiválás gombját, amíg a porszívón villog a vezeték nélküli aktiválás lámpája. Ha a vezeték nélküli aktiválás lámpája nem villog zölden, akkor nyomja le röviden a vezeték nélküli aktiválás gombot, és tartsa ismét lenyomva.

MEGJEGYZÉS: Ha kettő vagy több szerszám gépet regisztrál egy porszívóhoz, akkor a szerszám gépek regisztrálását egymás után végezze el.

A vezeték nélküli aktiválás funkció elindítása

MEGJEGYZÉS: A vezeték nélküli aktiváláshoz végezze el a szerszám gép regisztrálását.

MEGJEGYZÉS: Mindig úgy helyezze el a porszívót, hogy láthassa a vezeték nélküli aktiválás lámpáját.

MEGJEGYZÉS: Tekintse át a szerszám gép használati útmutatóját is.

Miután regisztrált egy szerszám gépet a porszívóhoz, a porszívó automatikusan a szerszám gép kapcsolójának működtetésével egyszerre üzemel.

1. Helyezze be a vezeték nélküli egységeket a porszívóba és az eszközebe.

2. Helyezze be az akkumulátorokat a porszívóba és a szerszám gépbe.

3. Csatlakoztassa a porszívó csövét a szerszám géphez.

► **Ábra30**

4. Állítsa a porszívó készenléti kapcsolóját „AUTO” helyzetbe.

► **Ábra31:** 1. Készenléti kapcsoló

5. Nyomja meg röviden a szerszám gép vezeték nélküli aktiválás gombját. A vezeték nélküli aktiválás gomb kéken villog.

► **Ábra32:** 1. Vezeték nélküli aktiválás gomb 2. Vezeték nélküli aktiválás lámpája

6. Kapcsolja be a szerszámot. Ellenőrizze, hogy a porszívó működik-e, amikor a szerszám üzemel.

⚠VIGYÁZAT: Mindig ellenőrizze, hogy működik-e a vezeték nélküli aktiválási funkció, mielőtt dolgozni kezd az eszközzel.

A vezeték nélküli aktiválás leállításához nyomja meg a szerszám gép vezeték nélküli aktiválási gombját, vagy állítsa a porszívó készenléti gombját „I” állásból „O” állásba.

MEGJEGYZÉS: Ha 2 órán keresztül nem működtetik, akkor a szerszám gép vezeték nélküli aktiválás lámpájának kék villogása leáll. Ebben az esetben állítsa az „AUTO” helyzetbe a porszívó készenléti kapcsolóját, és nyomja meg ismét a szerszám gépen a vezeték nélküli aktiválás gombját.

MEGJEGYZÉS: A porszívó késleltetéssel indul/áll le. A porszívó rövid késéssel érzékeli a szerszám gép kapcsológombos működtetését.

MEGJEGYZÉS: A vezeték nélküli egység átviteli távolsága a helyszíntől és a környezeti feltételektől függően eltérhet.

MEGJEGYZÉS: Ha egy porszívóhoz két vagy több szerszám gép van regisztrálva, akkor a porszívó a szerszám bekapcsolása nélkül is működhet, mert egy másik felhasználó is használja a vezeték nélküli aktiválás funkciót.

Szerszámgép regisztrációjának visszavonása a porszívón

A következő lépésekkel vonható vissza egy szerszámgép regisztrációja a porszívón.

1. Helyezze be a vezeték nélküli egységeket a porszívóba és az eszközbe.
2. Helyezze be az akkumulátorokat a porszívóba és a szerszámgépbe.
3. Állítsa a porszívó készenléti kapcsolóját „AUTO” helyzetbe.
▶ **Ábra33:** 1. Készenléti kapcsoló
4. Nyomja le 6 másodpercre a porszívó vezeték nélküli aktiválás gombját. A vezeték nélküli aktiválás gombja zölden villog, majd pirosra vált. Ezután nyomja le ugyanígy a szerszámgép vezeték nélküli aktiválás gombját.
▶ **Ábra34:** 1. Vezeték nélküli aktiválás gomb
2. Vezeték nélküli aktiválás lámpája

Ha a visszavonás sikeres volt, a vezeték nélküli aktiválás lámpája 2 másodpercig pirosan világít, majd kéken kezd villogni.

MEGJEGYZÉS: A vezeték nélküli aktiválás lámpája a pirosan villogást 20 másodperc elteltével fejezi be. Addig nyomja meg a szerszámgép vezeték nélküli aktiválás gombját, amíg a porszívón villog a vezeték nélküli aktiválás lámpája. Ha a vezeték nélküli aktiválás lámpája nem villog pirosan, akkor nyomja le röviden a vezeték nélküli aktiválás gombot, és tartsa ismét lenyomva.

Minden szerszámgép-regisztráció törlése

A következő lépésekkel minden szerszámgép regisztrációt törölheti a porszívóról.











- ▶ **Ábra35:** 1. Készenléti kapcsoló 2. Vezeték nélküli aktiválás gomb 3. Vezeték nélküli aktiválás lámpája
1. Szerelje fel a vezeték nélküli egységet a porszívóra.
 2. Helyezze be az akkumulátorokat a porszívóba.
 3. Állítsa a készenléti kapcsolót „AUTO” helyzetbe.
 4. Tartsa nyomva a vezeték nélküli aktiválás gombját kb. 6 másodpercig, amíg a vezeték nélküli aktiválás lámpája piros színnel villogni nem kezd (másodpercenként kb. kétszer).
 5. Miután a vezeték nélküli aktiválás lámpája piros színnel villogni kezdett, vegye le az ujját a vezeték nélküli aktiválás gombjáról. Ezt követően ismét tartsa nyomva a vezeték nélküli aktiválás gombját kb. 6 másodpercig.
 6. Amikor a vezeték nélküli aktiválás lámpája gyors ütemben pirosan villogni kezd (másodpercenként kb. 5-ször), vegye le az ujját a vezeték nélküli aktiválás gombjáról. Ha a vezeték nélküli aktiválás lámpája pirosan világítani kezd, majd kikapcsol, minden szerszámgép-regisztráció törlődött.

MEGJEGYZÉS: Ha a vezeték nélküli aktiválás lámpája nem villog pirosan, akkor nyomja le röviden a vezeték nélküli aktiválás gombot, és próbálkozzon újra.

A vezeték nélküli aktiválás lámpa állapotának leírása

- ▶ **Ábra36:** 1. Vezeték nélküli aktiválás gomb
2. Vezeték nélküli aktiválás lámpája

A vezeték nélküli aktiválás lámpa a vezeték nélküli aktiválás funkció állapotáról tájékoztat. A lámpa állapotának jelentésével kapcsolatban az alábbi táblázatban talál információkat.

Állapot	Vezeték nélküli aktiválás lámpája			Időtartam (körülbelül)	Leírás
	Szín	 Be	 Villogó lámpa		
Készenlét	Kék			Porszívó: folyamatos Szerszámgép: 2 óra	Várakozás szerszámgép-regisztrációra, vagy rendelkezésre áll a vezeték nélküli aktiválási funkció. A porszívó lámpája villog, ha a készenléti kapcsoló állása „AUTO”. A szerszámgép lámpája villog, ha a vezeték nélküli aktiválás gombját lenyomják. A szerszámgép lámpája automatikusan kikapcsol, ha a szerszámgépet 2 órán keresztül nem működtetik.
				Amikor a szerszámgép működik.	A porszívó vezeték nélküli aktiválás funkciója rendelkezésre áll, és a szerszámgép üzemel.
Szerszámgép regisztrálása	Zöld			20 másodperc	A szerszámgép készen áll a regisztrálására. A regisztrálandó szerszámgép keresése.
				2 másodperc	A szerszámgép regisztrálása befejeződött. A vezeték nélküli aktiválás lámpája kéken kezd villogni.
Szerszámgép regisztrálásának visszavonása/törlése	Piros	 (lassú: 2/mp.)		20 másodperc	Készen áll a szerszámgép regisztrációjára. A visszavonandó szerszámgép keresése.
		 (gyors: 5/mp.)		Ha a vezeték nélküli aktiválás gombját lenyomják.	Készen áll minden szerszámgép-regisztráció törlésére.
				2 másodperc	A szerszámgép-regisztráció megszakadt/törlődött. A vezeték nélküli aktiválás lámpája kéken kezd villogni.
Egyebek	Piros			3 másodperc	A vezeték nélküli egység tápellátást kap, és a vezeték nélküli aktiválás funkció elindul.
	Ki	-		-	A készenléti kapcsoló nem „AUTO” állásban van.

A vezeték nélküli aktiválás funkció hibaelhárítása

Mielőtt a szervizhez fordulna, először végezzen saját maga is átvizsgálást. Ha olyan problémát talál, amire a kézikönyv nem tartalmaz magyarázatot, ne próbálja meg szétszedni az eszközt. Ehelyett kérjen tanácsot a Makita hivatalos szervizközpontjától, és javításhoz mindig Makita cserealkatrészeket használjon.

Rendellenesség	Lehetséges ok (meghibásodás)	Megoldás
A vezeték nélküli aktiválás lámpája nem világít/villog.	A vezeték nélküli egység nincs felszerelve a porszívóra és/vagy a készülékre. A vezeték nélküli egység helytelenül van felszerelve a porszívóra és/vagy a készülékre.	Szerelje fel helyesen a vezeték nélküli egységet.
	Nem lett lenyomva a szerszámgép vezeték nélküli aktiválás gombja.	Nyomja meg röviden a szerszámgép vezeték nélküli aktiválás gombját.
	A porszívó készenléti kapcsolója nincs „AUTO” helyzetben.	Állítsa a porszívó készenléti kapcsolóját „AUTO” helyzetbe.
	Nincs tápellátás	Biztosítsa a szerszámgép és a porszívó tápellátását.
Nem lehet sikeresen befejezni a szerszámgép regisztrációját/szerszámgép regisztrációjának visszavonását.	A vezeték nélküli egység nincs felszerelve a porszívóra és/vagy az eszköze. A vezeték nélküli egység helytelenül van felszerelve a porszívóra és/vagy az eszköze.	Szerelje fel helyesen a vezeték nélküli egységet.
	A porszívó készenléti kapcsolója nincs „AUTO” helyzetben.	Állítsa a porszívó készenléti kapcsolóját „AUTO” helyzetbe.
	Nincs tápellátás	Biztosítsa a szerszámgép és a porszívó tápellátását.
	Nem megfelelő működés	Nyomja meg röviden a vezeték nélküli aktiválás gombját, és hajtsa végre ismét a szerszámgép regisztrációját/szerszámgép regisztrációjának visszavonását.
	A szerszámgép és a porszívó túl messze vannak egymástól (az átviteli hatótávolságon túl).	Vigye közelebb egymáshoz a porszívót és a szerszámgépet. A maximális átviteli távolság kb. 10 méter, azonban ez a feltételektől függően eltérő lehet.
	A szerszám regisztrációjának/törlésének befejezése előtt: - bekapcsolják a szerszám kapcsolóját vagy - bekapcsolják a porszívó bekapcsológombját.	Nyomja meg röviden a vezeték nélküli aktiválás gombját, és hajtsa végre ismét a szerszámgép regisztrációját/szerszámgép regisztrációjának visszavonását.
	A szerszámgép vagy a porszívó szerszámgép-regisztrációs eljárása még nem fejeződött be.	Hajtsa végre egyszerre a szerszámgép és a porszívó szerszámgép-regisztrációs eljárását.
	Nagy intenzitású rádióhullámokat generáló egyéb berendezések által okozott rádiójel-zavarás.	Tartsa távol a szerszámgépet és a porszívót a Wi-Fi-eszközöktől, mikrohullámú sütőktől és hasonlóktól.

Rendellenesség	Lehetséges ok (meghibásodás)	Megoldás
A porszívó nem a szerszám gép kapcsolójának működtetésével összehangolva üzemel.	A vezeték nélküli egység nincs felszerelve a porszívóra és/vagy a készülékre. A vezeték nélküli egység helytelenül van felszerelve a porszívóra és/vagy a készülékre.	Szerelje fel helyesen a vezeték nélküli egységet.
	Nem lett lenyomva a szerszám gép vezeték nélküli aktiválás gombja.	Nyomja le röviden a vezeték nélküli aktiválás gombját, és győződjön meg róla, hogy a vezeték nélküli aktiválás lámpája kéken villog.
	A porszívó készenléti kapcsolója nincs „AUTO” helyzetben.	Állítsa a porszívó készenléti kapcsolóját „AUTO” helyzetbe.
	Több mint 10 szerszám gépet regisztráltak a porszívóhoz.	Hajtsa végre ismét a szerszám gép regisztrációját. Ha a porszívóhoz több mint 10 szerszám gépet regisztrál, a legkorábbi szerszám gép regisztrációja automatikusan visszavonásra kerül.
	A porszívó minden szerszám gép-regisztrációt törölt.	Hajtsa végre ismét a szerszám gép regisztrációját.
	Nincs tápellátás	Biztosítsa a szerszám gép és a porszívó tápellátását.
	A szerszám gép és a porszívó túl messze vannak egymástól (az átviteli hatótávolságon túl).	Vigyé közelebb egymáshoz a porszívót és a szerszám gépet. A maximális átviteli távolság kb. 10 méter, azonban ez a feltételektől függően eltérő lehet.
	Nagy intenzitású rádióhullámokat generáló egyéb berendezések által okozott rádiójel-zavarás.	Tartsa távol a szerszám gépet és a porszívót a Wi-Fi-eszközöktől, mikrohullámú sütőktől és hasonlóktól.
A porszívó működik, amikor a szerző nem üzemel.	Más felhasználók használják a porszívó vezeték nélküli aktiválás funkcióját a saját szerszám gépeikkel.	Kapcsolja ki a többi szerszám gép vezeték nélküli aktiválás gombját, vagy vonja vissza a többi szerszám gép regisztrációját.
Nem lehet törölni a porszívó összes szerszám gép-regisztrációját.	A szerszám gép vezeték nélküli gombjának lenyomása.	Az összes szerszám gép-regisztráció törléséhez nyomja meg a porszívó vezeték nélküli gombját.
	A porszívó készenléti kapcsolója nincs „AUTO” helyzetben.	Állítsa a porszívó készenléti kapcsolóját „AUTO” helyzetbe.
	Nem tartja nyomva megfelelően a vezeték nélküli aktiválás gombját.	Tartsa nyomva a vezeték nélküli aktiválás gombját legalább 6 másodpercig, majd engedje fel, amikor a vezeték nélküli aktiválás lámpája piros színnel villogni kezd. Ismét tartsa nyomva a vezeték nélküli aktiválás gombját legalább 6 másodpercig, majd engedje fel, amikor a vezeték nélküli aktiválás lámpája piros színnel gyors ütemben villogni kezd.

KARBANTARTÁS

▲ FIGYELMEZTETÉS: Mindig használjon P2-es légzőkészüléket karbantartás végzése közben.

▲ VIGYÁZAT: Ellenőrzés vagy karbantartás előtt feltétlenül kapcsolja ki a készüléket, és vegye ki belőle az akkumulátorokat.

▲ VIGYÁZAT: A műszaki ellenőrzést, beleértve a szűrők, a légzárás és a vezérlőmechanizmus ellenőrzését, évente legalább egyszer el kell végeznie egy erre felhatalmazott személynek.

▲ VIGYÁZAT: A karbantartás során minden olyan szennyezett tárgyat, amelyet nem lehet kielégítően megtisztítani, el kell távolítani. Az ilyen tárgyakat az Ön országában érvényes előírásoknak megfelelő, vízhatlan zsákokban kell kidobni.

▲ VIGYÁZAT: A veszélyes területen történő működtetés után a szerszám külsejét vákuumos módszerrel fertőtleníteni kell, és tisztára kell törölni vagy tömítőanyaggal kell kezelni, mielőtt a szerszámot kivinné a veszélyes területről. A szerszám minden részét szennyezettnek kell tekinteni, amikor eltávolítják a veszélyes területről, és megfelelő intézkedéseket kell tenni a por szétszóródásának megakadályozására.

▲ VIGYÁZAT: Cserélje ki a szűrőket, ha a szűrők porral eltömődtek, vagy ha úgy érzi, hogy a por-szivó teljesítménye lecsökkent.

▲ VIGYÁZAT: Rendszeresen ellenőrizze a szűrőket. Ha a szűrőkön szakadás van, azonnal cserélje ki őket.

MEGJEGYZÉS: Soha ne használjon gázolajt, benzint, hígítót, alkoholt vagy hasonló anyagokat. Ezek elszíneződést, alakvesztést vagy repedést okozhatnak.

A termék BIZTONSÁGÁNAK és MEGBÍZHATÓSÁGÁNAK fenntartása érdekében a javításokat és más karbantartásokat vagy beállításokat a Makita hivatalos vagy gyári szervizközpontjában kell elvégezni, mindig csak Makita cserealkatrészeket használva.

A szűrőegység eltávolítása

▲ VIGYÁZAT: Várjon körülbelül 5 percet, hogy a tartályban lévő por teljesen leülepedjen.

▲ VIGYÁZAT: A szűrőegység eltávolításakor ügyeljen arra, hogy a por ne kerüljön a tartályfedél belsejébe.

A szűrőegység a fő egységre van rögzítve. Felső lemezből, előszűrőkből, nedvesítőbetétekből és porszűrőkből áll.

1. Oldja ki a rögzítőkarokat és emelje le a fő egységet a tartályról.
 2. Vegye ki a szűrőegységet a fő egységből az ábrán látható módon.
- **Ábra37:** 1. Rugós retesz 2. Szűrőegység

A porszűrő és az előszűrő eltávolítása

Emelje fel a gombot, és távolítsa el a szűrőket a felső lemeztől.

► **Ábra38:** 1. Felső lemez 2. Szűrők 3. Gomb

A por levegőben lebegésének megakadályozása érdekében előnyösebb a szűrőket a polietilén zsákokban eltávolítani.

Ha a szűrőegységet a kitisztítása érdekében szállítani kell, a polietilén zsákok szorosan kösse össze.

► **Ábra39:** 1. Szűrőegység 2. Polietilén zsák

► **Ábra40:** 1. Felső lemez 2. Szűrők 3. Polietilén zsák

A porszűrő, előszűrő és a nedvesítőbetét tisztítása

Rendszeresen tisztítsa ki a szűrőket és a nedvesítőbetétet. Az eltömődött szűrők és nedvesítőbetét rossz szivóteljesítményt eredményezhetnek.

Rendszeresen tisztítsa ki a szűrőkön és a nedvesítőbetétben felgyülemlt port.

A porszűrőt, előszűrőt és a nedvesítőbetétet időnként mossa meg vízben, majd öblítse le és szárítsa meg alaposan egy árnyékos helyen, mielőtt újra használná. Soha ne mossa azokat mosógépben.

► **Ábra41**

MEGJEGYZÉS: Ne dörzsölje vagy karcolja a porszűrőt, az előszűrőt és a nedvesítőbetétet kemény tárgyakkal, például kefével vagy durva ecsettel.

MEGJEGYZÉS: A szűrők az idő múlásával elhasználódnak. Javasoljuk, hogy legyen belőlük tartaléka.

A porszűrő és az előszűrő telepítése

MEGJEGYZÉS: A porszűrő és az előszűrő a száraz és a nedves port egyaránt fel tudja szedni. Győződjön meg róla, hogy a vízszintérzékelők megfelelően aktiválódnak, hogy megakadályozza, hogy a porszűrő eltörjön.

Akassza a szűrőegység széléit a felső lemezbe, majd engedje le a gombot.

► **Ábra42:** 1. Szél 2. Gomb

MEGJEGYZÉS: A porszűrő használata előtt győződjön meg róla, hogy azt az előszűrővel és a nedvesítőbetéttel együtt használja. Ne használja a porszűrőt az előszűrő és a nedvesítőbetét nélkül.

A szűrők összeszerelése

Ha a szűrőket külön kapta meg, szerelje őket össze az ábrán látható módon.

► **Ábra43:** 1. Porszűrő 2. Nedvesítőbetét 3. Előszűrő

A szűrőegység telepítése

Miután a szűrőket a felső lemezre szerelte, akassza be a szűrőegység furatait a belső fedél U-alakú részébe. Ezután zárja be a rugós reteszt az ábrán látható módon.

► **Ábra44:** 1. U-alakú rész 2. Furat 3. Rugós retesz

A vízsűrő beszerelése

Opcionális kiegészítők

MEGJEGYZÉS: Nedves por felszedéséhez győződjön meg arról, hogy a vízszintérzékelők megfelelően aktiválódnak.

MEGJEGYZÉS: Vízsűrő használata esetén ne használjon előszűrőt és nedvesítőbetétet.

Ha csak vizet vagy nedves port kell felszívni, arra alkalmasabb a vízsűrő, mint a porszűrő vagy az előszűrő. A vízsűrő telepítésekor a vízsűrőt ugyanúgy illessze a felső lemezre, mint a porszűrőt és az előszűrőt.

► **Ábra45**

MEGJEGYZÉS: Ha többször egymás után nagy mennyiségű vizet kell felszívni, használja a vízsűrőt. Ellenkező esetben csökkenhet a szívóerő porszűrő vagy előszűrő esetében.

A vízszintérzékelők tisztítása

A vízszintérzékelők folyadékot érzékelnek, amikor a tartály megtelik folyadékkal. A vízszintérzékelőket időnként tisztítsa meg egy puha ruhával a szűrők cseréjékor.

► **Ábra46:** 1. Vízszintérzékelő

A tartozékok tárolása

A nem használt kiegészítők és tartozékok, úgy mint például a porkifűvők, csövek és a sapka felakasztva tárolhatóak a porszívó hátulján.

► **Ábra47:** 1. Nem használt kiegészítő és tartozék
2. Sapka

A csöveket (opcionális rögzítővel ellátva) a csőtartóban tárolhatja, amikor rövidebb ideig nem használja őket.

► **Ábra48:** 1. Rögzítő (választható tartozék)
2. Csőtartó

A gégecsövet fel lehet tekercselni és a porszívó háza vagy fogantyúja körül nagy hurkokban lehet tárolni.

A két végét kösse össze nagy hurkokat formálva és akassza a hurkokat a felemelt fogantyúra. Alternatív megoldásként, hagyhatja az alsó végét a gégecső bemenetére szerelve és a hurkokat a multiakasztóra akaszthatja a szabad végüknél felkötve.

► **Ábra49**

► **Ábra50**

OPCIONÁLIS KIEGÉSZÍTŐK

⚠VIGYÁZAT: Ezen kiegészítőket és tartozékokat javasoljuk a kézikönyvben ismertetett Makita szerszámhoz. Bármilyen más kiegészítő vagy tartozék használata a személyi sérülés kockázatával jár. A kiegészítőt vagy tartozékot csak rendeltetészerűen használja.

Ha bármilyen segítségre vagy további információkra van szüksége ezekkel a tartozékokkal kapcsolatban, keresse fel a helyi Makita Szervizközpontot.

- Gégecső
- Előlső karmantyúk (22, 24, 38)
- Egyenes cső
- Saroktisztító fej
- Körkefe
- Porszűrő M, H (HEPA)
- Nedvesítőbetét
- Előszűrő
- Vízsűrő
- Csőtoldal
- Hajlított cső
- Polietilén zsák
- Szűrőzsák
- Sapka
- Eredeti Makita akkumulátor és töltő
- Vezeték nélküli egység
- MAKPAC

MEGJEGYZÉS: A listán felsorolt néhány kiegészítő megtalálható az eszköz csomagolásában standard kiegészítőként. Ezek országonként eltérőek lehetnek.

VAROVANIE

- Toto zariadenie nie je určené na používanie osobami, vrátane detí, so zníženými fyzickými, zmyslovými alebo duševnými schopnosťami ani osobami s nedostatočnými skúsenosťami a znalosťami.
- V prípade detí treba dohliadať na to, aby sa s vysávačom nehrali.
- Informácie o type akumulátora nájdete v kapitole „TECHNICKÉ ŠPECIFIKÁCIE“.
- Spôsob demontáže alebo inštalácie akumulátora nájdete v časti „Inštalácia alebo demontáž akumulátora“.
- Akumulátor pri likvidácii odstráňte z nástroja a zlikvidujte ho na bezpečnom mieste. Akumulátor zlikvidujte v súlade s miestnymi nariadeniami.
- Ak sa nástroj dlhší čas nepoužíva, odstráňte z neho akumulátor.
- Akumulátor neskratujte.
- Podrobné informácie týkajúce sa bezpečnostných opatrení počas údržby používateľom nájdete v kapitole „ÚDRŽBA“.

TECHNICKÉ ŠPECIFIKÁCIE

Model:		VC006GM
Maximálny objem vzduchu na konci hadice	S hadicou BL4050F, ø28 mm x 3,5 m	2,0 m ³ /min
	S hadicou BL4050F, ø38 mm x 2,5 m	3,7 m ³ /min
Maximálny objem vzduchu v turbíne (s hadicou BL4050F)		4,9 m ³ /min
Podtlak (s hadicou BL4050F)		18 kPa
Získateľný objem	Prach	40 l
	Voda	30 l
Rozmery (D x Š x V)		586 mm x 385 mm x 598 mm
Menovité napätie		Jednosmerný prúd 72 V – 80 V max.
Čistá hmotnosť		18,4 – 20,8 kg
Trieda ochrany		IPX4

- Vzhľadom k neustálemu výskumu a vývoju podliehajú technické údaje uvedené v tomto dokumente zmenám bez upozornenia.
- Technické špecifikácie sa môžu pre rôzne krajiny líšiť.
- Hmotnosť nezahŕňa žiadne ďalšie príslušenstvo s výnimkou akumulátorov. V tabuľke sa uvádzajú kombinácie najnižšej a najvyššej hmotnosti stroja a akumulátorov.

Použiteľné akumulátory a nabíjačky

Akumulátor	BL4020 / BL4025 / BL4040* / BL4050F* / BL4080F* * : Odporúčany akumulátor
Nabíjačka	DC40RA / DC40RB / DC40RC

- Niektoré vyššie uvedené akumulátory a nabíjačky môžu byť nedostupné v závislosti od miesta vášho bydliska.

VAROVANIE: Používajte iba akumulátory a nabíjačky zo zoznamu uvedeného vyššie. Používanie akýchkoľvek iných akumulátorov a nabíjačiek môže spôsobiť zranenie a/alebo požiar.

Symbody

Nižšie sú uvedené symbody, ktoré sa môžu používať pri tomto nástroji. Je dôležité, aby ste poznali ich význam, skôr než začnete pracovať.



Prečítajte si návod na obsluhu.



Práci venujte veľkú pozornosť a dávajte pozor.



Varovanie! Vysávač môže obsahovať nebezpečný prach.



Na vysávač nikdy nestrúčajte.



Na vysávač nikdy nekladte predmety ťažšie ako 20 kg (44 lbs).



Trieda prachu M (stredná): na oddeľovanie prachu s limitnou hodnotou vystavenia pri práci nie menšou ako 0,1 mg/m³. Vysávače dokážu vysávať prach triedy L a M.

Dodržiavajte nariadenia ohľadom prachov a nariadenia ohľadom ochrany zdravia a bezpečnosti pri práci, ktoré sú vo vašej krajine v platnosti.



Len pre štáty EÚ

Z dôvodu prítomnosti nebezpečných komponentov v zariadení môžu mať odpad z elektrických a elektronických zariadení, použité akumulátory a batérie negatívny vplyv na životné prostredie a ľudské zdravie.

Elektrické a elektronické zariadenia alebo akumulátory nelikvidujte spolu s komunálnym odpadom!

V súlade s európskou smernicou o odpade z elektrických a elektronických zariadení, o akumulátoroch a batériách a odpade z akumulátorov a batérií, ako aj v súlade s prispôbenými vnútroštátnymi právnymi predpismi by sa odpad z elektrických a elektronických zariadení a použité akumulátory a batérie mali uskladňovať osobitne a odovzdávať na samostatnom zbernom mieste pre komunálny odpad, ktoré sa prevádzkuje v súlade s predpismi na ochranu životného prostredia. Označuje to symbol preškrtnutej smetnej nádoby na zariadení.

Určené použitie

Zariadenie je určené na vysávanie mokrého aj suchého prachu. Zariadenie je určené na komerčné použitie, napríklad v hoteloch, školách, nemocniciach, továrňach, predajniach, kanceláriách a prenajímaných nehnuteľnostiach.

Hluk

Typická hladina akustického tlaku záťaže A určená podľa štandardu EN60335-2-69:
Úroveň akustického tlaku (L_{pA}): 70 dB (A) alebo menej
Odchýlka (K): 2,5 dB (A)

Úroveň hluku pri práci môže prekročiť 80 dB (A).

POZNÁMKA: Deklarovaná hodnota emisií hluku bola meraná podľa štandardnej skúšobnej metódy a môže sa použiť na porovnanie jedného nástroja s druhým.

POZNÁMKA: Deklarovaná hodnota emisií hluku sa môže použiť aj na predbežné posúdenie vystavenia ich účinkom.

VAROVANIE: Používajte ochranu sluchu.

VAROVANIE: Emisie hluku sa môžu počas skutočného používania elektrického nástroja odlišovať od deklarovanej hodnoty, a to v závislosti od spôsobov používania náradia a najmä typu spracúvaného obrobku.

VAROVANIE: Nezabudnite označiť bezpečnostné opatrenia s cieľom chrániť obsluhu, a to tie, ktoré sa zakladajú na odhade vystavenia účinkom v rámci reálnych podmienok používania (berúc do úvahy všetky súčasti prevádzkového cyklu, ako sú doby, kedy je nástroj vypnutý a kedy beží bez zaťaženia, ako dodatok k dobe zapnutia).

Vibrácie

Celková hodnota vibrácií (trojosový vektorový súčet) určená podľa štandardu EN60335-2-69:

Emisie vibrácií ($a_{h,M}$): 2,5 m/s² alebo menej

Odchýlka (K): 1,5 m/s²

POZNÁMKA: Deklarovaná celková hodnota vibrácií bola meraná podľa štandardnej skúšobnej metódy a môže sa použiť na porovnanie jedného nástroja s druhým.

POZNÁMKA: Deklarovaná celková hodnota vibrácií sa môže použiť aj na predbežné posúdenie vystavenia ich účinkom.

VAROVANIE: Emisie vibrácií sa môžu počas skutočného používania elektrického nástroja odlišovať od deklarovanej hodnoty, a to v závislosti od spôsobov používania náradia a najmä typu spracúvaného obrobku.

VAROVANIE: Nezabudnite označiť bezpečnostné opatrenia s cieľom chrániť obsluhu, a to tie, ktoré sa zakladajú na odhade vystavenia účinkom v rámci reálnych podmienok používania (berúc do úvahy všetky súčasti prevádzkového cyklu, ako sú doby, kedy je nástroj vypnutý a kedy beží bez zaťaženia, ako dodatok k dobe zapnutia).

Vyhlasenie o zhode ES

Len pre krajiny Európy

Vyhlasenie o zhode ES sa nachádza v prílohe A tohto návodu na obsluhu.

BEZPEČNOSTNÉ VAROVANIA

Bezpečnostné varovania pre akumulátorový vysávač

VAROVANIE: JE DÔLEŽITÉ, aby ste si PRED POUŽITÍM DOKLADNE PREČÍTALI všetky varovania a pokyny. Nedodržanie varovaní a pokynov môže mať za následok zariadenie elektrickým prúdom, požiar alebo vážne zranenie.

1. Pred použitím zabezpečte, aby tento vysávač používali osoby primeraným spôsobom zaškolené na používanie tohto vysávača.
2. Pred používaním je potrebné poskytnúť používateľom informácie, pokyny a školenie o používaní zariadenia a látkach, ktoré sa budú používať, vrátane bezpečného spôsobu odstraňovania a likvidácie zhromažďovaného materiálu.
3. Ak z nástroja vychádza pena/tekutina, okamžite ho vypnite.
4. Zariadenie na obmedzenie hladiny vody pravidelne čistite a kontrolujte príznaky jeho poškodenia.
5. Pred použitím vždy skontrolujte, či sú filtre nainštalované správne. Vysávač nepoužívajte bez vložených filtrov. Poškodený filter okamžite vymeňte. Keďže sú filtre spotrebný materiál, odporúčame mať poruke aj niekoľko náhradných filtrov.
6. **ZABRÁŇTE NÁHODNÉMU SPUSTENIU.** Pri inštalácii akumulátora zariadenie vždy **VYPNITE**.
7. Nepokúšajte sa vysávať horľavé materiály, iskry, horiace cigarety, horúci popol, horúce kovové piliny a ostré materiály, ako sú žiletky, ihly, rozbité sklo a podobné materiály.
8. **VYSÁVAČ NIKDY NEPOUŽÍVAJTE V BLÍZKOSTI BENZÍNU, PLYNU, NÁTEROV, LEPIDIEL ANI INÝCH VEĽMI VÝBUŠNÝCH LÁTKOK.** V prepínači sa pri zapnutí alebo vypnutí vytvárajú iskry. Iskry sa počas prevádzky vytvárajú aj v komutátore motora. Dôsledkom môže byť nebezpečná explózia.
9. Nikdy nevysávajte toxické, karcinogénne, horľavé ani iné nebezpečné materiály, ako je arzén, bárium, berýlium, olovo, pesticídy a iné zdraviu rizikové materiály.
10. Vysávač vždy kladte na vodorovný a plochý povrch, aby nedošlo k jeho pádu ani nechcenému pohybu.
11. Vysávač nikdy počas dažďa nepoužívajte v exteriéri.
12. Ak sa nachádzate vo Fínsku, zariadenie nepoužívajte v exteriéri pri nízkych teplotách.
13. Vysávač nepoužívajte v blízkosti tepelných zdrojov (sporáky a pod.).
14. Ak je vzduch vyfukovaný späť do miestnosti, je v tejto miestnosti nutné zaistiť dostatočnú výmenu vzduchu. V prípade potreby si pozrite miestne predpisy.
15. Neblokujte nasávacie/výfukové/chladiace otvory. Tieto otvory zabezpečujú chladenie motora. Ich zablokovaní je potrebné zabrániť, pretože motor môže v dôsledku nedostatočnej ventilácie zhorieť.
16. Udržujte vždy správny postoj a rovnováhu.
17. Hadicu nikdy neprelamujte, neťahajte za ňu ani na ňu nestúpajte.
18. Ak počas prevádzky spozorujete nedostatočný výkon alebo akýkoľvek neštandardný stav, vysávač okamžite vypnite.
19. **VYBERTE AKUMULÁTOR,** ak vysávač nepoužívate, pred vykonávaním servisu a počas výmeny príslušenstva.
20. **Ihneď po každom použití vysávač vyčistite a vykonajte jeho servis, aby ste zabezpečili jeho vynikajúci prevádzkový stav.**
21. **ÚDRŽBU VYSÁVAČA VYKONÁVAJTE DÔSLEDNE.** Vysávač čistite, aby sa zaistil lepší a bezpečnejší výkon. Príslušenstvo vymieňajte podľa pokynov. Rukoväte udržiavajte suché, čisté, bez znečistenia olejom a mazivom.
22. **KONTROLUJTE PRÍPADNÉ POŠKODENIE SÚČASTÍ.** Pred ďalším používaním vysávača je potrebné dôkladne skontrolovať, či nie je poškodený ochranný kryt alebo iné súčasti, aby sa určilo, či budú fungovať správne a či budú vykonávať určenú funkciu. Skontrolujte či sú pohyblivé diely zarovnané, či nie sú uviaznuté, či niektoré diely nie sú zlomené, zle namontované a či sú v takom stave, ktorý nebude mať negatívny vplyv na prevádzku. Ochranný kryt alebo iné poškodené diely treba riadne nechať opraviť alebo vymeniť v autorizovanom servisnom stredisku, pokiaľ nie je v tomto návode uvedené inak. Pokazené prepínače je potrebné nechať vymeniť v autorizovanom servisnom stredisku. Vysávač nepoužívajte, ak prepínač nefunguje.
23. Ak ide servis vykonávať používateľ, rozobratie, vyčistenie a údržbu zariadenia je potrebné vykonať v prakticky uskutočniteľnom rozsahu tak, aby nevzniklo riziko pre osoby vykonávajúce údržbu ani iné osoby.
24. Zariadenie musí technicky skontrolovať výrobca alebo poučená osoba minimálne raz ročne, pričom táto kontrola má pozostávať napríklad z kontroly poškodenia filtrov, kontroly vzduchotesnosti zariadenia a kontroly správneho fungovania ovládacieho mechanizmu.
25. Pri vykonávaní servisu alebo opravy sa všetky kontaminované položky, ktoré sa nedajú uspokojivo vyčistiť, musia zlikvidovať, a to v nepriestupných vreciach v súlade s platnými právnymi predpismi na likvidáciu takejto odpadu.
26. **NÁHRADNÉ DIELY.** Pri vykonávaní servisu používajte výlučne rovnaké náhradné diely.
27. **VYSÁVAČ, KTORÝ SA NEPOUŽÍVA, USKLADNITE.** Ak vysávač nepoužívate, uskladnite ho v interiéri.
28. Pred uskladnením je potrebné vysušiť mokré filtre a vnútornú časť nádoby na tekutinu.
29. S vysávačom zaobchádzajte opatrne. Násilné zaobchádzanie môže spôsobiť rozbitie vysávača aj s najodolnejšou konštrukciou.
30. Vonkajší povrch nečistite benzínom, rozpúšťadlom ani inými chemikáliami na čistenie. Dôsledkom môže byť vznik trhlín alebo zmena farby.
31. Vysávač nepoužívajte v uzatvorených miestnostiach, kde sa vyskytujú horľavé, výbušné alebo toxické výpary z olejových náterov, riedidiel na farby, benzínu, látok na likvidáciu moli a pod., ani na miestach s výskytom horľavého prachu.
32. Tento ani žiadny iný nástroj nepoužívajte, pokiaľ ste pod vplyvom drog alebo alkoholu.
33. Základným pravidlom bezpečnosti je používanie ochranných okuliarov a ochranných okuliarov s bočnými štítni.

34. V prípade prašných pracovných podmienok používajte protiprachovú masku.
35. Toto zariadenie nie je určené na používanie osobami, vrátane detí, so zníženými fyzickými, zmyslovými alebo duševnými schopnosťami ani osobami s nedostatočnými skúsenosťami a znalosťami.
36. V prípade detí treba dohliadať na to, aby sa s vysávačom nehrali.
37. Nikdy nemanipulujte s akumulátormi ani s vysávačom, keď máte mokré ruky.
38. Maximálnu pozornosť venujte vysávaniu na schodoch.
39. Vysávač nepoužívajte ako stoličku ani ako pracovný stôl. Zariadenie môže spadnúť a môže spôsobiť zranenie.

Používanie a starostlivosť o akumulátorový nástroj

1. Nabíjajte iba nabíjačkou určenou výrobcom. Nabíjačka vhodná pre jeden typ akumulátora môže pri inom type akumulátora spôsobiť riziko vzniku požiaru.
2. Elektrické nástroje používajte iba s príslušným typom akumulátora. Použitie iného typu akumulátora môže spôsobiť riziko vzniku požiaru a úrazu.
3. Keď sa akumulátor práve nepoužíva, skladujte ho mimo iných kovových predmetov ako sponky, mince, kľúče, klince, skrutky alebo iné malé kovové predmety, ktoré by mohli kontakty akumulátora skrátovať. Skrátovanie kontaktov akumulátora môže spôsobiť popálenie alebo požiar.
4. Pri nevhodných podmienkach môže z akumulátora vytekať tekutina. Nedotýkajte sa jej. Pri náhodnom kontakte ju opláchnite vodou. Ak kvapalina zasiahne oči, vyhľadajte lekársku pomoc. Kvapalina, ktorá vytekla z akumulátora, môže spôsobiť podráždenie alebo popálenie.
5. Nepoužívajte akumulátor alebo nástroj, ktorý je poškodený alebo upravený. Fungovanie poškodených alebo upravených akumulátorov ťažko predvídať a môžu zapríčiniť požiar, výbuch alebo zranenie.
6. Akumulátor ani nástroj nevystavujte ohňu či nadmernej teplote. Vystavenie ohňu alebo teploty nad 130 °C môže spôsobiť výbuch.
7. Dodržiavajte všetky pokyny pre nabíjanie a akumulátor ani nástroj nenabíjajte v prípade prekročenia teplotného rozsahu uvedeného v návode. Nesprávne nabíjanie alebo nabíjanie pri teplotách mimo uvedeného rozsahu môže spôsobiť poškodenie akumulátora a zvýšiť riziko požiaru.

TIETO POKYNY USCHOVAJTE.

VAROVANIE: NIKDY nepripustíte, aby sebavedomie a dobrá znalosť výrobku (získané opakovaným používaním) nahradili presné dodržiavanie bezpečnostných pravidiel pre náradie. **NESPRÁVNE POUŽÍVANIE** alebo nedodržiavanie bezpečnostných zásad uvedených v tomto návode môže viesť k vážnemu zraneniu.

Dôležité bezpečnostné a prevádzkové pokyny pre akumulátor

1. Pred použitím akumulátora si prečítajte všetky pokyny a výstavné označenia na (1) nabíjačke akumulátorov, (2) akumulátore a (3) produkte používajúcom akumulátor.
2. Akumulátor nerozoberajte ani neupravujte. Môže to viesť k požiaru, nadmernému teplu alebo výbuchu.
3. Ak sa doba prevádzky príliš skráti, ihneď prerušte prácu. Môže nastať riziko prehriatia, možných popálení či dokonca explózie.
4. V prípade zasiahnutia očí elektrolytom ich vypláchnite čistou vodou a okamžite vyhľadajte lekársku pomoc. Môže dôjsť k strate zraku.
5. Akumulátor neskratujte:
 - (1) Nedotýkajte sa konektorov žiadnym vodivým materiálom.
 - (2) Neskladujte akumulátor v obale s inými kovovými predmetmi, napríklad klincami, mincami a pod.
 - (3) Akumulátor nevystavujte vode ani dažďu. Skrat akumulátora môže spôsobiť veľký tok prúdu, prehriatie, možné popálenie či dokonca poruchu.
6. Nástroj ani akumulátor neskladujte a nepoužívajte na miestach s teplotou presahujúcou 50 °C (122 °F).
7. Akumulátor nespálujte, ani keď je vážne poškodený alebo úplne opotrebovaný. Akumulátor môže v ohni explodovať.
8. Akumulátor neprepichujte, neprerezávajte, nedrverte, neháďte ani ho nenarúšajte údermi o tvrdé predmety. Môže to viesť k požiaru, nadmernému teplu alebo výbuchu.
9. Nepoužívajte poškodený akumulátor.
10. Litium-iónové akumulátory, ktoré sú súčasťou náradia, podliehajú požiadavkám legislatívy o nebezpečnom tovare.

V prípade obchodnej prepravy, napr. dodanie tretími stranami či špeditériami, sa musia dodržiavať špeciálne požiadavky na zabalenie a označenie. Pred prípravou položky na odoslanie sa vyžaduje konzultácia s odborníkom na nebezpečný materiál. Taktiež treba dodržiavať potenciálne podrobnejšie predpisy príslušnej krajiny. Prelepte alebo zakryte otvorené kontakty a zabaľte akumulátor tak, aby sa v balíku nemohol voľne pohybovať.
11. Akumulátor pri likvidácii odstráňte z nástroja a zlikvidujte ho na bezpečnom mieste. Akumulátor zlikvidujte v súlade s miestnymi nariadeniami.
12. Akumulátory používajte iba s výrobkami uvedenými spoločnosťou Makita. Inštalácia akumulátorov do nevyhovujúcich výrobkov môže spôsobiť požiar, nadmerné teplo, výbuch alebo únik elektrolytov.
13. Ak sa nástroj dlhší čas nepoužíva, odstráňte z neho akumulátor.
14. Akumulátor sa môže počas používania a po použití zohriať, čo môže spôsobiť popálenie alebo popálenie aj pri relatívne nízkej teplote. Pri manipulácii s horúcimi akumulátormi dávajte pozor.
15. Nedotýkajte sa svorky nástroja ihneď po použití, keďže sa mohla zohriať dostatočne na to, aby spôsobila popálenie.

16. **Zabráňte zachytávaniu triesok, prachu alebo zeminy na svorkách, otvoroch a drážkach akumulátora.** Môže to spôsobiť zohriatie, požiar, výbuch a poruchu nástroja alebo akumulátora, v dôsledku čoho môže dôjsť k popáleninám alebo zraneniu osôb.
17. **Pokiaľ nástroj nepodporuje používanie v blízkosti vysokonapäťových elektrických vedení, nepoužívajte akumulátor blízko vysokonapäťových elektrických vedení.** Môže to viesť k nesprávnemu fungovaniu alebo poškodeniu nástroja alebo akumulátora.
18. **Akumulátor držte mimo dosahu detí.**

TIETO POKYNY USCHOVAJTE.

⚠️ POZOR: Používajte len originálne akumulátory od spoločnosti Makita. Používanie batérií, ktoré nie sú od spoločnosti Makita, alebo upravených batérií môže spôsobiť výbuch batérie a následný požiar, zranenie osôb alebo poškodeniu majetku. Následkom bude aj zrušenie záruky od spoločnosti Makita na nástroj a nabíjačku od spoločnosti Makita.

Rady na udržanie maximálnej životnosti akumulátora

1. **Akumulátor nabíjajte ešte predtým, ako sa úplne vybijie.** Vždy prerušte prácu s nástrojom a nabíjajte akumulátor, keď spozorujete nižší výkon nástroja.
2. **Nikdy nenabíjajte plne nabitý akumulátor.** Prebíjanie skracuje životnosť akumulátora.
3. **Akumulátor nabíjajte pri izbovej teplote 10 °C – 40 °C (50 °F – 104 °F).** Pred nabíjaním nechajte horúci akumulátor vychladnúť.
4. **Keď akumulátor nepoužívate, vyberte ho z nástroja alebo nabíjačky.**
5. **Lítium-iónový akumulátor nabíjajte, ak ste ho nepoužívali dlhšie ako šesť mesiacov.**

Dôležité bezpečnostné pokyny pre bezdrôtovú jednotku

1. **Po inštalácii bezdrôtovej jednotky nikdy neotvárajte kryt zásuvky.**
2. **Bezdrôtovú jednotku nerozoberajte ani s ňou neodborne nemanipulujte.**
3. **Bezdrôtovú jednotku držte mimo dosahu malých detí.** V prípade jej náhodného prehĺtnutia okamžite vyhľadajte lekársku pomoc.
4. **Bezdrôtovú jednotku používajte len spolu s náradím Matika.**
5. **Bezdrôtovú jednotku nevystavujte účinkom dažďa ani iného vlhkého prostredia.**
6. **Bezdrôtovú jednotku nepoužívajte na miestach, kde teplota prekračuje 50 °C.**
7. **Bezdrôtovú jednotku nepoužívajte na miestach, kde sa nachádzajú zdravotnícke prístroje, akými sú napríklad kardiostimulátor.**
8. **Bezdrôtovú jednotku nepoužívajte na miestach, kde sa nachádzajú automatizované zariadenia.** V opačnom prípade sa v automatizovaných zariadeniach môže vyskytnúť porucha alebo chyba.
9. **Bezdrôtovú jednotku nepoužívajte na miestach s vysokou teplotou alebo na miestach, kde dochádza k vytváraniu statickej elektriny alebo elektrického šumu.**
10. **Bezdrôtová jednotka môže vytvárať elektromagnetické polia (EMF), ktoré však nie sú pre používateľa škodlivé.**
11. **Bezdrôtová jednotka je presné zariadenie.** Bezdrôtovú jednotku chráňte pred pádom a nevystavuje ju nárazom.
12. **Koncovky bezdrôtovej jednotky sa nedotýkajte holými rukami ani kovovými materiálmi.**
13. **Pred inštaláciou bezdrôtovej jednotky do výrobku vždy vyberte akumulátor.**
14. **Pri otváraní krytu zásuvky sa vyhýbajte miestam, kde by do zásuvky mohol preniknúť prach alebo voda.** Vstupný otvor zásuvky musí byť vždy čistý.
15. **Bezdrôtovú jednotku vždy vkladajte v správnom smere.**
16. **Spúšťačie tlačidlo bezdrôtovej prevádzky na bezdrôtovej jednotke nestlačajte príliš silno, ani ho nestlačajte žiadnym predmetom s ostrou hranou.**
17. **Pred prevádzkou vždy uzavrite kryt zásuvky.**
18. **Bezdrôtovú jednotku nevyberajte zo zásuvky, kým prebieha napájanie nástroja.** Ignorovanie tohto pokynu môže zapríčiniť poruchu bezdrôtovej jednotky.
19. **Z bezdrôtovej jednotky neodstraňujte nálepku.**
20. **Na bezdrôtovú jednotku nelepte žiadne nálepky.**
21. **Bezdrôtovú jednotku nenechávajte na mieste, kde dochádza k vytváraniu statickej elektriny alebo elektrického šumu.**
22. **Bezdrôtovú jednotku nevystavujte vysokým teplotám, nenechávajte ju napríklad v aute stojacom na slnku.**
23. **Bezdrôtovú jednotku nenechávajte na prašnom mieste ani na mieste, kde by mohlo dôjsť k vytváraniu korozívneho plynu.**
24. **V dôsledku náhlej zmeny teploty sa bezdrôtová jednotka môže zarisť.** Bezdrôtovú jednotku nepoužívajte, kým nedôjde k úplnému vyschnutiu takéhoto zarosenia.
25. **Pri čistení bezdrôtovú jednotku jemne utrite suchou mäkkou handričkou.** Nepoužívajte benzín, riedidlo, vodivé mazivo ani iné podobné prípravky.
26. **Bezdrôtovú jednotku uložte v dodávanom puzdre alebo nádobe, v ktorej nedochádza k vytváraniu statického elektrického náboja.**
27. **Do zásuvky nástroja nekladajte žiadne iné zariadenia okrem bezdrôtovej jednotky Matika.**
28. **Nástroj nepoužívajte, ak je kryt bezdrôtovej jednotky poškodený.** V prípade, že do zásuvky prenikne voda, prach alebo nečistoty, môže dôjsť k poruche.
29. **Kryt zásuvky neťahajte ani neskrúčajte viac, než je nutné.** V prípade, že sa kryt oddelí od nástroja, vráťte ho na miesto.
30. **V prípade straty alebo poškodenia kryt vymeňte.**

TIETO POKYNY USCHOVAJTE.

OPIS FUNKCIÍ

▲POZOR: Pred úpravou alebo kontrolou funkčnosti zariadenia vždy skontrolujte, či je zariadenie vypnuté a akumulátory vybrať.

Inštalácia alebo demontáž akumulátora

▲POZOR: Pred inštaláciou alebo vybratím akumulátora nástroj vždy vypnite.

▲POZOR: Pri inštalovaní a vyberaní akumulátora pevne držte vysávač a akumulátor. Ak vysávač a akumulátor nebudete pevne držať, môžu sa vám vyšmyknúť z rúk a poškodiť sa, prípadne spôsobiť zranenie.

▲POZOR: Pri otváraní a zatváraní krytu akumulátora dávajte pozor, aby ste si nepichli do prstov. V opačnom prípade môže dôjsť k zraneniu.

Pri vkladaní akumulátora najprv uvoľníte zámok a potom otvorte kryt akumulátora. Potom vložte akumulátor.

► **Obr.1:** 1. Zámok 2. Kryt akumulátora

Jazyček akumulátora zarovnáte s drážkou v kryte a zasuniete ho na miesto. Zatlačte ho úplne, kým zakliknutím nezapadne na miesto. Potom zamknite kryt akumulátora.

► **Obr.2:** 1. Akumulátor 2. Tlačidlo

Ak chcete vybrať akumulátor, vysuňte ho z nástroja, pričom posuňte tlačidlo na prednej strane akumulátora.

▲POZOR: Akumulátor vždy vložte úplne. V opačnom prípade môže náhodne vypadnúť z vysávača a ublížiť vám alebo osobám v okolí.

▲POZOR: Pri inštalovaní akumulátora nepoužívajte silu. Ak sa akumulátor nedá zasunúť ľahko, nekladáte ho správne.

POZNÁMKA: Vysávač nefunguje len s jedným akumulátorom.

Indikácia zvyšnej kapacity akumulátora

Stlačením tlačidla kontroly na akumulátore zobrazíte zostávajúcu kapacitu akumulátora. Indikátory sa na niekoľko sekúnd rozsvietia.

► **Obr.3:** 1. Indikátory 2. Tlačidlo kontroly

Indikátory			Zostávajúca kapacita
Svieti	Nesvieti	Bliká	
■ ■ ■ ■			75 % až 100 %
■ ■ ■ □			50 % až 75 %
■ ■ □ □			25 % až 50 %
■ □ □ □			0 % až 25 %
▬ □ □ □			Akumulátor nabite.
■ ■ □ □			Akumulátor je možno chybný.
□ □ ■ ■			

POZNÁMKA: V závislosti od podmienok používania a v závislosti od okolitej teploty sa môže zobrazenie mierne odlišovať od skutočnej kapacity.

POZNÁMKA: Prvý (úplne vľavo) svetelný indikátor bude blikat', keď systém ochrany akumulátora funguje.

Indikátory akumulátorov na ovládacom paneli

Zostávajúcu kapacitu akumulátora si môžete kedykoľvek pozrieť na ovládacom paneli. Po stlačení tlačidla kontroly sa na ľavom a pravom indikátore zobrazí úroveň nabitia akumulátora.

► **Obr.4:** 1. Indikátor ľavého akumulátora 2. Indikátor pravého akumulátora 3. Tlačidlo kontroly

► **Obr.5**

Stav indikátora akumulátora			Zostávajúca kapacita akumulátora
Svieti	Nesvieti	Bliká	
			50 % až 100 %
			20 % až 50 %
			0 % až 20 %
			Akumulátor nabite
			Akumulátor nie je vložený

POZNÁMKA: Indikátor akumulátora funguje, kým sú vložené dva akumulátory.

POZNÁMKA: Indikátory akumulátorov sa aktivujú aj po spustení prevádzky vysávača.

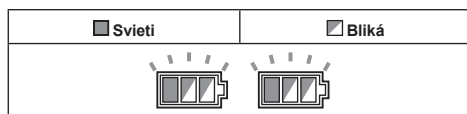
Systém na ochranu zariadenia/akumulátora

Zariadenie je vybavené systémom na ochranu zariadenia/akumulátora. Tento systém automaticky vypne napájanie motora s cieľom predĺžiť životnosť zariadenia a akumulátora. Zariadenie sa počas prevádzky automaticky zastaví v prípade, ak sa zariadenie alebo akumulátor dostanú do jedného z nasledovných stavov:

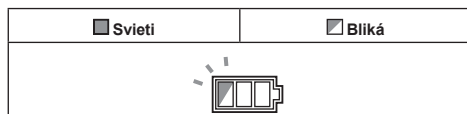
Ochrana proti preťaženiu

Keď sa zariadenie/akumulátor používa spôsobom, ktorý spôsobuje odber neštandardne vysokého prúdu, zariadenie sa automaticky vypne. V tejto situácii vypnite zariadenie a ukončíte používanie, ktoré spôsobuje jeho preťažovanie. Potom zariadenie zapnutím znova spustíte.

Ochrana pred prehrievaním



Keď je stroj prehriaty, automaticky sa zastaví a rozbliká sa indikátor ľavého aj pravého akumulátora. V tejto situácii nechajte stroj pred jeho opakovaným zapnutím vychladnúť a vyčistite filtre.



Keď je akumulátor prehriaty, zariadenie sa automaticky zastaví a začne blikáť indikátor prehriateho akumulátora. V tejto situácii nechajte akumulátor pred opakovaným zapnutím zariadenia vychladnúť.

Ochrana pred nadmerným vybitím

Keď sa kapacita akumulátora zníži, zariadenie sa automaticky zastaví. Ak zariadenie nefunguje ani po použití vypínača, vyberte akumulátory zo zariadenia a nabite ich.

Ochrana pred ďalšími nebezpečenstvami

Systém ochrany bol navrhnutý tak, aby chránil aj pred ďalšími nebezpečenstvami, ktoré by mohli poškodiť zariadenie, a zaisťuje automatické zastavenie zariadenia. Ak sa zariadenie dočasne zastavilo alebo prerušilo prevádzku, problém vyriešite vykonaním nasledujúcich krokov.

1. Reštartujte zariadenie tak, že ho vypnete a potom znova zapnete.
2. Nabite akumulátory alebo ich vymeňte za nabitú akumulátory.
3. Nechajte zariadenie aj akumulátory vychladnúť.

Ak po obnovení systému ochrany nedošlo k zlepšeniu stavu, obráťte sa na miestne servisné stredisko spoločnosti Makita.

Zapínanie

Zapnutie vysávača

1. Prepnutím prepínača pohotovostného režimu do polohy „I“ (Zap.) alebo „AUTO“ (Zap.) zapnete vysávač do pohotovostného režimu.
2. Stlačte hlavný vypínač. Opakovaným stlačením hlavného vypínača prepnete vysávač späť do pohotovostného režimu.

Vypnutie vysávača

Vykonaňte jeden z nasledujúcich krokov.

- Stlačením hlavného vypínača prepnete vysávač znova do pohotovostného režimu.
- Prepnete prepínač pohotovostného režimu do polohy „O“ (Vyp.).

Nastavenie sacieho výkonu

Sací výkon je možné nastaviť podľa pracovných požiadaviek.

- Sací výkon znížite otočením gombíka na nastavenie sacieho výkonu doľava.
- Sací výkon zvýšite otočením gombíka na nastavenie sacieho výkonu doprava.

Výber priemeru hadice

Otočte ovládač výberu priemeru hadice na hodnotu, ktorú chcete použiť.

POZNÁMKA: Neotáčajte ovládač na medzeru medzi číselnými hodnotami. Vždy otočte ovládač na hodnotu zodpovedajúcu priemeru hadice.

- **Obr.6:** 1. Prepínač pohotovostného režimu 2. Gombík na nastavenie sacieho výkonu 3. Ovládač výberu priemeru hadice 4. Hlavný vypínač

UPOZORNENIE: Ak vysávač nebudete dlhšie používať, prepínač pohotovostného režimu vždy nastavte na stranu O. V pohotovostnom režime vysávač spotrebúva energiu.

Výstražné pípanie

Pri pípaní môžu zaznieť dva zvuky. Buď zaznie krátke pípanie, alebo nepretržité pípanie.

- Keď rýchlosť prúdenia vzduchu klesne pod 20 m/s, vysávač z bezpečnostných dôvodov vydá krátke varovné zapípanie. Keď zaznie takéto zapípanie, skontrolujte ovládač výberu priemeru hadice alebo to, či sací výkon nie je príliš nízky. Ak pípanie pokračuje, vykonajte údržbu alebo sa obráťte na miestne servisné stredisko.
- Keď je nádoba plná, vysávač bude nepretržite varovne pípať a automaticky sa zastaví. Keď sa vysávač zastaví, vypnite ho a vyprázdňte nádobu.

Automatické zastavenie vysávania počas vysávania namokro

VAROVANIE: Nevysávajte penu ani mydlové tekutiny. Mohlo by to spôsobiť unikanie peny cez výstup vzduchu. Pokiaľ budete pokračovať v používaní v takomto stave, môže dôjsť k úrazu elektrickým prúdom a poškodeniu vysávača.

Vysávač je vybavený mechanizmom, ktorý zabráňuje prenikaniu vody do motora pri vysatí väčšieho než stanoveného objemu vody. Keď je nádoba plná kvapaliny, vysávač bude nepretržite varovne pípať a automaticky sa zastaví. Keď sa vysávač zastaví, vypnite ho a vyprázdňte nádobu.

Systém na čistenie filtrov

Toto zariadenie má nainštalovaný systém na čistenie filtrov. Pri používaní zariadenia systém na čistenie filtrov automaticky oporaňuje filtre s cieľom predchádzať znižovaniu sacieho výkonu z dôvodu upchatia filtrov.

Ak zariadenie nasáva veľké množstvá prachu naraz, jeho sací výkon sa môže znížiť. V takomto prípade sa odporúča vyčistiť filtre manuálne.

1. Vypnite zariadenie.
2. Nastavte sací výkon na maximum a potom zapchajte otvor nasávacej hadice rukou.
3. Zapnite zariadenie a nechajte ho približne 15 sekúnd pracovať so zapchatým otvorom nasávacej hadice.

► **Obr.7:** 1. Otvor nasávacej hadice

POZNÁMKA: Objem vzduchu sa môže zmeniť, kým je aktivovaný systém na čistenie filtrov, ale nejde o poruchu.

Vypúšťanie vody

Keď je nádoba plná vody, vypnite vysávač, otvorte uzáver na vypúšťanie vody a vyprázdnite nádobu.

► **Obr.8:** 1. Uzáver na vypúšťanie vody

Uzáver

Uzáver sa dodáva so zariadením. Namontovaním uzáveru na spojovací otvor hadice zabránite tomu, aby sa povysávaný prach dostal von z vysávača.

► **Obr.9:** 1. Uzáver

Zablokovanie a odblokovanie koliesok

Predné kolieska je možné zablokovať pomocou zážok, aby sa vysávač nepohyboval.

Koliesko zablokujete tak, že rukou posuniete páčku záružky nadol, posunutím páčky nahor ho odblokujete.

► **Obr.10:** 1. Koliesko 2. Páčka záružky 3. Poloha FREE (UVOLNIŤ) 4. Poloha LOCK (ZABLOKOVÁŤ)

POZNÁMKA: Pri presúvaní vysávača koliesko odblokujte. Posúvanie vysávača so zablokovaným kolieskom môže mať za následok poškodenie kolieska.

Rukoväť na prenášanie

▲POZOR: Zariadenie zdvíhajte a prenášajte s náležitou starostlivosťou. V opačnom prípade môže dôjsť k zraneniu osôb alebo poškodeniu zariadenia.

Vysávač prenášajte za rukoväť na hlavnej jednotke. Pokiaľ sa rukoväť nepoužíva, môžete ju zasunúť do hlavnej jednotky.

► **Obr.11**

Ak je pre vás ťažké prenášať zariadenie bez pomoci, privoľajte si ešte jednu osobu a prenášajte ho podľa obrázka.

► **Obr.12**

► **Obr.13**

ZOSTAVENIE

▲VAROVANIE: Táto jednotka môže obsahovať nebezpečný prach. Pri výmene filtračných prvkov a vrecka na prach, prípadne pri údržbe vždy používajte respirátor P2.

▲POZOR: Pred vykonávaním akejkoľvek práce na zariadení vždy skontrolujte, či je zariadenie vypnuté a akumulátory vybaté.

Inštalácia a likvidácia filtračného vrecka

▲VAROVANIE: Vždy používajte respirátor P2.

▲VAROVANIE: Pred použitím filtračného vrecka skontrolujte, či sa zároveň používa aj filtračná jednotka. Opomenutie súčasne používať filtračnú jednotku môže mať za následok nezvyčajný hluč a generovanie tepla s dôsledkom požiaru.

▲VAROVANIE: Pri používaní zariadenia s triedou prachu M nikdy nezabudnite použiť filtračné vrecko.

UPOZORNENIE: Pokiaľ používate filtračné vrecko, nikdy nevysávajú vodu ani iné tekutiny. Vysávanie takýchto materiálov môže mať za následok pretrhnutie filtračného vrecka.

1. Uvoľnite poistné háčiky a zdvihnite hlavnú jednotku z nádoby.
► **Obr.14:** 1. Poistný háčik

2. Rozbaľte filtračné vrecko.

3. Otvor filtračného vrecka zarovnajete s otvorom na nasávanie prachu na nádobe.

4. Kartón filtračného vrecka zasuňte do nástroja, aby jeho poloha na konci bola za blokovacím výčnelkom.

► **Obr.15:** 1. Filtračné vrecko 2. Kartónový otvor

3. Držiak filtračného vrecka 4. Otvor na nasávanie prachu 5. Okraj

Pri likvidácii filtračného vrecka potiahnite za okraj ústia filtračného vrecka tak, aby ho uzatvoril papier.

Inštalácia polyetylénového vrecka

Voliteľné prislúšenstvo

Polyetylénové vrecko položte na nádobu a jednu stranu horného okraja vrecka na otvorenom konci vložte medzi platňu držiaka a prednú stenu nádoby.

Potom rozťiahnite ostatné horné okraje vrecka smerom von cez horné okraje nádoby.

V kombinácii s filtračným vreckom možno použiť polyetylénové vrecko.

► **Obr.16:** 1. Platňa držiaka 2. Predná stena nádoby 3. Polyetylénové vrecko

POZNÁMKA: Možno použiť polyetylénové vrecká, ktoré bežne dostávajú na trhu. Odporúčame tie, ktorých hrúbka presahuje 0,04 mm a obvod zasa presahuje 2 000 mm.

POZNÁMKA: Príliš veľké množstvo prachu ľahko spôsobí pretrhnutie polyetylénového vrecka, preto sa ho snažte neprepínať. Likvidácia ťažkého vrecka môže predstavovať záťaž pre ľudské telo.

Vyprázdenie nádoby s polyetylénovým vreckom

VAROVANIE: Pred vyprázdením nádoby sa vždy uistite, že je vysávač vypnutý a akumulátory sú vybité. Ak tak neurobíte, môže dôjsť k úrazu elektrickým prúdom a vážnemu zraneniu.

UPOZORNENIE: Nádobu vyprázdnite aspoň raz za deň v závislosti od objemu zozbieraného prachu v nádobe. V opačnom prípade sa zníži sací výkon a môže dôjsť k poškodeniu motora.

UPOZORNENIE: Pri vyprázdení nádoby nechytajte za poistné háčiky. Ak ju budete držať za poistné háčiky, mohli by sa odlomiť.

1. Uvoľnite poistné háčiky a zdvihnite hlavnú jednotku z nádoby.
 2. Vyberte polyetylénové vrecko z nádoby a rukou zatvorte otvor vrecka.
- Obr.17: 1. Polyetylénové vrecko 2. Nádoba

POZNÁMKA: Polyetylénové vrecko z nádoby vyberajte opatrne, aby sa nezachytilo a neroztrhlo o okraje nádoby.

POZNÁMKA: Polyetylénové vrecko vyprázdnite pred jeho naplnením. Veľmi veľa prachu v nádobe môže mať za následok prasknutie polyetylénového vrecka.

Inštalácia hadice

UPOZORNENIE: Hadicu nikdy nasilu neohýbajte ani ju nestláčajte. Vysávač nikdy nepresúvajte ťahaním za hadicu. Namáhanie, stláčanie a ťahanie hadice môže mať za následok prasknutie alebo zdeformovanie hadice.

UPOZORNENIE: Na vysávanie veľkých odpadov, ako sú odrezky z hobľovačky, betónový prach alebo podobné materiály, ktoré nepredstavujú malý odpad, používajte hadicu s vnútorným priemerom 38 mm (voliteľné príslušenstvo). Používanie hadice s vnútorným priemerom 28 mm (voliteľné príslušenstvo) môže mať za následok upchatie a poškodenie hadice.

UPOZORNENIE: Pri vyberaní hadice z vysávača vždy nasadíte uzáver na montážny otvor.

Pripojenie k vysávaču

Odstráňte uzáver z montážneho otvoru. Uzáver možno skladovať v zadnej časti vysávača, kým je hadica pripojená k vysávaču.

► Obr.18: 1. Uzáver

Koniec hadice vložte do otvoru na nasávanie prachu (vstup hadice) vysávača, potom ju otáčajte v smere hodinových ručičiek dovtedy, kým zakliknutím nezapadne na miesto.

► Obr.19: 1. Hadica 2. Otvor na nasávanie prachu (vstup hadice)

Pripojenie k pracovným nástrojom (špecifické pre konkrétnu krajinu)

Po pripojení vysávača k dostupným kompatibilným pracovným nástrojom bude vysávač fungovať ako ich odsávač prachu.

Vyberte najvhodnejšiu prednú manžetu alebo spojku (voliteľné príslušenstvo) pre váš model nástroja. Podľa potreby umiestnite manžetu alebo spojku medzi predný koniec hadice vysávača a otvor na odsávanie prachu nástroja.

► Obr.20: 1. Predná manžeta alebo spojka 2. Hadica vysávača 3. Elektrický nástroj 4. Vysávač

Montáž a demontáž nadstavcov vysávača

POZOR: Po vložení nadstavca skontrolujte, či je pevne nainštalovaný. Ak nadstavec nie je vložený správne, mohol by sa uvoľniť a spôsobiť poranenie.

Pri používaní nadstavca bez funkcie zaistenia

Voliteľné príslušenstvo

Vložte nadstavec do nasávacieho otvoru vysávača tak, že ho rukou zatlačíte a zaskrutkujete na miesto. Nadstavec po použití odpojte otočením a vytiahnutím z nasávacieho otvoru.

► Obr.21

Inštalácia adaptéra MAKPAC

Voliteľné príslušenstvo

POZOR: Nestúpajte ani si nesadajte na zariadenie. V dôsledku nestability môže dôjsť k pádu.

POZOR: Pri inštalácii adaptéra MAKPAC postupujte opatrne. V opačnom prípade môže dôjsť k zraneniu osôb alebo poškodeniu zariadenia.

POZOR: Pri inštalácii adaptéra MAKPAC na zariadenie nezdvíhajte zariadenie pomocou rukoväti adaptéra MAKPAC.

POZOR: Pri presúvaní zariadenia s nainštalovaným adaptérom MAKPAC netlačte na adaptér MAKPAC, ale na telo zariadenia. Po zatlačení sa môže stať, že západky sa zlomia a MAKPAC odpadne, čo môže spôsobiť poranenie.

Pripojiteľné a stohovateľné úložné puzdrá MAKPAC je možné nainštalovať na hornú časť vysávača. Puzdrá sú dostupné v rôznych veľkostiach a štýloch, aby vyhovovali vašim preferenciám.

1. Uvoľnite západky na povrchu vysávača.

► Obr.22: 1. Západka

2. Namontujte puzdrá MAKPAC na vysávač a zaistite ich pomocou západiek.

► Obr.23: 1. Západka 2. MAKPAC

Maximálna výška a hmotnosť inštalácie adaptéra MAKPAC je 315 mm, resp. 20 kg.

► Obr.24

PREVÁDZKA

VAROVANIE: Vždy používajte respirátor P2.

POZOR: Ak z nástroja uniká pena alebo kva-palina, okamžite ho vypnite. Pokiaľ budete pokračovať v používaní v takomto stave, môže dôjsť k zasiahnutiu elektrickým prúdom a k poškodeniu vysávača.

FUNKCIA BEZDRÔTOVÉHO SPÚŠŤANIA

Voliť/né príslušenstvo

Využitie funkcie bezdrôtového spúšťania

Funkcia bezdrôtového spúšťania umožňuje čistú a pohodlnú prevádzku. Pripojením podporovaného nástroja k vysávaču môžete vysávač prevádzkovať automaticky po aktivácii spínača nástroja.

► **Obr.25**

UPOZORNENIE: Pred použitím vysávača so zapnutou funkciou bezdrôtového spúšťania si prečítajte návod na používanie nástroja.

UPOZORNENIE: Bezdrôtovú jednotku nerozoberte ani s ňou neodborne nemanipulujte.

UPOZORNENIE: Na zabránenie preniknutiu prachu do štrbiny bezdrôtovej jednotky počas prevádzky a skladovania vždy pevne uzatvorte veko.

UPOZORNENIE: Spúšťacie tlačidlo bezdrôtovej prevádzky nestláčajte príliš silno, ani ho nestláčajte žiadnym predmetom s ostrou hranou.

POZNÁMKA: Bezdrôtové spúšťanie vyžaduje použitie nástrojov Makita s bezdrôtovou jednotkou.

POZNÁMKA: Pred prvým použitím bezdrôtového spúšťania s jednotlivými nástrojmi sa vyžaduje ich registrácia. Po dokončení registrácie nástroja sa opätovná registrácia vyžaduje iba v prípade zrušenia predchádzajúcej registrácie.

POZNÁMKA: Pred registráciou sa uistite, že bezdrôtová jednotka je správne vložená.

POZNÁMKA: Jedna bezdrôtová jednotka sa môže registrovať až pre 10 prepojení s inými bezdrôtovými jednotkami. V prípade registrácie viac než 10 bezdrôtových jednotiek pre jednu bezdrôtovú jednotku sa automaticky zruší najstaršia zaregistrovaná jednotka.

POZNÁMKA: Umiestnenie tlačidla bezdrôtového spúšťania sa na jednotlivých nástrojoch líši.

POZNÁMKA: Vysávač je možné spustiť aj stlačením vypínača, keď je prepínač pohotovostného režimu nastavený do polohy „AUTO“. Vypínač však nebude fungovať v prípade, že sa používa funkcia bezdrôtového spúšťania.

Inštalácia bezdrôtovej jednotky

VAROVANIE: Kryt otvárajte iba pri prvej inštalácii bezdrôtovej jednotky. Po inštalácii už kryt nikdy neotvárajte.

POZOR: Pri inštalácii bezdrôtovej jednotky umiestnite vysávač na rovný a pevný podklad.

UPOZORNENIE: Pred inštaláciou bezdrôtovej jednotky očistite prach a nečistoty z vysávača. Prach a nečistoty môžu spôsobiť poruchu, keď preniknú do zásuvky bezdrôtovej jednotky.

UPOZORNENIE: Pred uchopením bezdrôtovej jednotky sa dotknite materiálu spôsobujúceho uvoľnenie statického náboja, napríklad kovovej časti, aby ste zabránili poruche v dôsledku statickej elektriny.

UPOZORNENIE: Pri inštalácii bezdrôtovej jednotky sa vždy presvedčte, či je bezdrôtová jednotka vložená v správnom smere a kryt sa úplne zavrel.

1. Uvoľnením skrutky otvorte kryt na vysávači podľa znázornenia na obrázku.

► **Obr.26:** 1. Kryt 2. Skrutka

2. Vložte bezdrôtovú jednotku do zásuvky.

Pri vkladaní bezdrôtovej jednotky zarovnajte výčnelky s lôžkami zásuvky.

► **Obr.27:** 1. Bezdrôtová jednotka 2. Výčnelok 3. Kryt 4. Lôžko

3. Úplným dotiahnutím skrutky zatvorte kryt.

Registrácia nástroja v rámci vysávača

POZNÁMKA: Registrácia vyžaduje použitie nástroja Makita s podporou funkcie bezdrôtového spúšťania.

POZNÁMKA: Pre začiatkom registrácie nástroja ukončíte inštaláciu bezdrôtovej jednotky do nástroja.

POZNÁMKA: V priebehu registrácie nástroja nepoužívajte spúšťací spínač nástroja ani vypínač vysávača.

POZNÁMKA: Postupujte aj podľa pokynov v návode na používanie nástroja.

Ak chcete vysávač spúšťať a aktiváciou spínača nástroja, najprv dokončíte registráciu nástroja.

1. Nainštalujte bezdrôtovú jednotku do vysávača a nástroja.

2. Vložte akumulátory do vysávača a nástroja.

3. Prepínač pohotovostného režimu vysávača nastavte na „AUTO“.

► **Obr.28:** 1. Prepínač pohotovostného režimu

4. Na 3 sekundy stlačte spínač bezdrôtového spúšťania vysávača a počkajte, kým indikátor bezdrôtového spúšťania nezačne blikať nazeleno. Potom rovnakým spôsobom stlačte tlačidlo bezdrôtového spúšťania nástroja.

► **Obr.29:** 1. Tlačidlo bezdrôtového spúšťania 2. Indikátor bezdrôtového spúšťania

V prípade úspešného prepojenia vysávača a nástroja sa indikatory bezdrôtového spúšťania na 2 sekundy rozsvietia nazeleno a potom začnú blikať modrou farbou.

POZNÁMKA: Indikátory bezdrôtového spúšťania prestanú blikať nazeleno po uplynutí 20 sekúnd. Tlačidlo bezdrôtového spúšťania na nástroji držte, kým indikátor bezdrôtového spúšťania vysávača bliká. Ak indikátor bezdrôtového spúšťania neblíka nazeleno, znova krátko podržte stlačené tlačidlo bezdrôtového spúšťania.

POZNÁMKA: Pri vykonávaní dvoch alebo viacerých registrácií nástrojov v rámci jedného vysávača, vykonávajte registrácie nástrojov postupne.

Spustenie funkcie bezdrôtového spúšťania

POZNÁMKA: Pred bezdrôtovým spustením dokončíte registráciu nástroja v rámci vysávača.

POZNÁMKA: Vysávač vždy položte tak, aby ste videli stav indikátora bezdrôtového spúšťania.

POZNÁMKA: Postupujte aj podľa pokynov v návode na používanie nástroja.

Po registrácii nástroja v rámci vysávača sa vysávač automaticky spustí pri použití spínača nástroja.

1. Nainštalujte bezdrôtové jednotky do vysávača a nástroja.
2. Vložte akumulátory do vysávača a nástroja.
3. K nástroju pripojte hadicu vysávača.
► **Obr.30**
4. Prepínač pohotovostného režimu vysávača nastavte na „AUTO“.
► **Obr.31:** 1. Prepínač pohotovostného režimu
5. Krátko stlačte tlačidlo bezdrôtového spúšťania nástroja. Indikátor bezdrôtového spúšťania sa rozblíka modrou farbou.
► **Obr.32:** 1. Tlačidlo bezdrôtového spúšťania
2. Indikátor bezdrôtového spúšťania
6. Zapnite nástroj. Skontrolujte, či vysávač beží, ak nástroj pracuje.

⚠ POZOR: Pred začatím práce s nástrojom vždy skontrolujte, či funkcia diaľkovej aktivácie funguje.

Ak chcete zastaviť bezdrôtové spúšťanie, stlačte tlačidlo bezdrôtového spúšťania na nástroji, prípadne nastavte prepínač pohotovostného režimu do polohy „I“ alebo „O“.

POZNÁMKA: Indikátor bezdrôtového spúšťania na nástroji prestane blikať namodro pri nečinnosti nástroja trvajúcej 2 hodiny. V takomto prípade nastavte prepínač pohotovostného režimu vysávača do polohy „AUTO“ a znova stlačte tlačidlo bezdrôtového spúšťania na nástroji.

POZNÁMKA: Vysávač sa spúšťa/zastavuje s oneskorením. Pri zisťovaní stlačenia spínača nástroja v rámci vysávača dochádza k oneskoreniu.

POZNÁMKA: Dosah vysielať bezdrôtovej jednotky sa môže líšiť v závislosti od jej umiestnenia a okolitých podmienok.

POZNÁMKA: V prípade, že je pre vysávač zaregistrovaných viacero nástrojov, vysávač sa môže spustiť, aj keď nezapnete nástroj, pretože iný používateľ používa funkciu bezdrôtového spustenia.

Zrušenie registrácie nástroja v systéme vysávača

Zrušenie registrácie nástroja v rámci vysávača vykonajte nasledujúcim spôsobom.

1. Nainštalujte bezdrôtové jednotky do vysávača a nástroja.
2. Vložte akumulátory do vysávača a nástroja.
3. Prepínač pohotovostného režimu vysávača nastavte na „AUTO“.
► **Obr.33:** 1. Prepínač pohotovostného režimu
4. Na 6 sekúnd stlačte tlačidlo bezdrôtového spúšťania na vysávači. Indikátor bezdrôtového spúšťania bliká zelenou farbou a potom sa farba zmení na červenú. Neskôr rovnakým spôsobom stlačte tlačidlo bezdrôtového spúšťania nástroja.
► **Obr.34:** 1. Tlačidlo bezdrôtového spúšťania
2. Indikátor bezdrôtového spúšťania

Po úspešnom vykonaní zrušenia sa indikátory bezdrôtového spúšťania na 2 sekundy rozsvietia načerveno a potom začnú blikať modrou farbou.

POZNÁMKA: Indikátory bezdrôtového spúšťania prestanú blikať načerveno po uplynutí 20 sekúnd. Tlačidlo bezdrôtového spúšťania na nástroji držte, kým indikátor bezdrôtového spúšťania vysávača bliká. Ak indikátor bezdrôtového spúšťania neblíka načerveno, znova krátko podržte stlačené tlačidlo bezdrôtového spúšťania.

Vymazanie všetkých zaregistrovaných nástrojov

Nástroje zaregistrované vo vysávači môžete vymazať nasledujúcim spôsobom.











- **Obr.35:** 1. Prepínač pohotovostného režimu
2. Tlačidlo bezdrôtového spúšťania
3. Indikátor bezdrôtového spúšťania
1. Nainštalujte bezdrôtovú jednotku do vysávača.
2. Vložte akumulátory do vysávača.
3. Nastavte prepínač pohotovostného režimu na „AUTO“.
4. Podržte tlačidlo bezdrôtového spúšťania zhruba 6 sekúnd, kým indikátor bezdrôtového spúšťania nezačne blikať načerveno (približne dvakrát za sekundu).
5. Keď indikátor bezdrôtového spúšťania začne blikať načerveno, uvoľnite prst z tlačidla bezdrôtového spúšťania. Potom podržte tlačidlo bezdrôtového spúšťania znova približne na 6 sekúnd.
6. Keď indikátor bezdrôtového spúšťania začne rýchlo blikať načerveno (asi 5 krát za sekundu), uvoľnite prst z tlačidla bezdrôtového spúšťania. Keď indikátor bezdrôtového spúšťania začne svietiť načerveno a neskôr sa vypne, znamená to, že všetky zaregistrované nástroje boli vymazané.

POZNÁMKA: Ak indikátor bezdrôtového spúšťania neblíka načerveno, krátko podržte stlačené tlačidlo bezdrôtového spúšťania a skúste to znova.

Popis stavov indikátora bezdrôtového spúšťania

- **Obr.36:** 1. Tlačidlo bezdrôtového spúšťania
2. Indikátor bezdrôtového spúšťania

Indikátor bezdrôtového spúšťania vyjadruje stav funkcie bezdrôtového spúšťania. Nasledujúca tabuľka obsahuje informácie o význame stavov indikátora.

Stav	Indikátor bezdrôtového spúšťania			Popis	
	Farba	 Svieti	 Bliká		Trvanie (približne)
Pohotovostný režim	Modrá			Vysávač: bez prerušenia Nástroj: 2 hodiny	Čaká sa na registráciu nástroja alebo je funkcia bezdrôtového spúšťania k dispozícii. Indikátor na vysávači bliká, keď je prepínač pohotovostného režimu nastavený na „AUTO“. Indikátor na nástroji bliká, keď je stlačené tlačidlo bezdrôtového spúšťania. Indikátor na nástroji sa automaticky vypne, keď stav nečinnosti trvá 2 hodiny.
				Keď je nástroj v prevádzke.	Bezdrôtové spúšťanie vysávača je k dispozícii a nástroj je v prevádzke.
Registrácia nástroja	Zelená			20 s	Prípravené na registráciu nástroja. Prebieha vyhľadávanie nástroja, ktorý sa má zaregistrovať.
				2 sekundy	Registrácia nástroja sa ukončila. Indikátor bezdrôtového spúšťania začne blikáť modrou farbou.
Zrušenie/ vymazanie registrácie nástroja	Červená			20 s (pomaly: 2-krát/s)	Prípravené na zrušenie registrácie nástroja. Prebieha vyhľadávanie nástroja, ktorý sa má zrušiť.
				Keď je tlačidlo bezdrôtového spúšťania stlačené.	Prípravené na vymazanie všetkých zaregistrovaných nástrojov.
				2 sekundy	Registrácia nástroja bola zrušená/vymazaná. Indikátor bezdrôtového spúšťania začne blikáť modrou farbou.
Iné	Červená			3 sekundy	Bezdrôtová jednotka sa napája a aktivuje sa funkcia bezdrôtového spúšťania.
	Nesvieti	-		-	Prepínač pohotovostného režimu nie je nastavený na „AUTO“.

Riešenie problémov funkcie bezdrôtového spúšťania

Pred požiadanim o vykonanie opravy najprv vykonajte vlastnú kontrolu. Ak zistíte problém, ktorý nie je vysvetlený v návode, nepokúšajte sa nástroj rozcobrať. Namiesto toho požiadajte o opravu autorizované servisné strediská spoločnosti Makita, ktoré používajú len náhradné diely značky Makita.

Chybný stav	Predpokladaná príčina (porucha)	Náprava
Indikátor bezdrôtového spúšťania nesvieti/nebliká.	Bezdrôtová jednotka nie je nainštalovaná do vysávača a/alebo nástroja. Bezdrôtová jednotka je nesprávne nainštalovaná do vysávača a/alebo nástroja.	Bezdrôtovú jednotku nainštalujte správne.
	Tlačidlo bezdrôtového spúšťania na nástroji nebolo stlačené.	Krátko stlačte tlačidlo bezdrôtového spúšťania nástroja.
	Prepínač pohotovostného režimu vysávača nie je nastavený na „AUTO“.	Prepínač pohotovostného režimu vysávača nastavte na „AUTO“.
	Bez prívodu elektrickej energie	Obnovte napájanie nástroja a vysávača.
Nemožno úspešne dokončiť registráciu nástroja/zrušenie registrácie nástroja.	Vo vysávači a/alebo nástroji nie je nainštalovaná bezdrôtová jednotka. Vo vysávači a/alebo nástroji je nesprávne nainštalovaná bezdrôtová jednotka.	Bezdrôtovú jednotku nainštalujte správne.
	Prepínač pohotovostného režimu vysávača nie je nastavený na „AUTO“.	Prepínač pohotovostného režimu vysávača nastavte na „AUTO“.
	Bez prívodu elektrickej energie	Obnovte napájanie nástroja a vysávača.
	Nesprávna funkcia	Krátko stlačte tlačidlo bezdrôtového spúšťania a znova vykonajte postup registrácie/zrušenia registrácie nástroja.
	Nástroj a vysávač sú vzdialené od seba (mimo dosahu vysielania).	Nástroj a vysávač priblížte k sebe. Maximálny dosah vysielania je približne 10 m, za určitých okolností sa však môže meniť.
	Pred dokončením registrácie nástroja/zrušením; - je zapnutý spínač na nástroji alebo; - tlačidlo napájania na vysávači je zapnuté.	Krátko stlačte tlačidlo bezdrôtového spúšťania a znova vykonajte postup registrácie/zrušenia registrácie nástroja.
	Proces registrácie nástrojov v rámci nástroja alebo vysávača sa neukončil.	Procesy registrácie v rámci nástroja aj vysávača vykonajte súčasne.
	Rušenie rádiového signálu inými spotrebičmi vytvára rádiové vlny vysokej intenzity.	Nástroj a vysávač udržuje v dostatočnej vzdialenosti od zariadení Wi-Fi a mikrovlnných rúr.
Po stlačení spínača nástroja sa vysávač nespustí.	Bezdrôtová jednotka nie je nainštalovaná do vysávača a/alebo nástroja. Bezdrôtová jednotka je nesprávne nainštalovaná do vysávača a/alebo nástroja.	Bezdrôtovú jednotku nainštalujte správne.
	Tlačidlo bezdrôtového spúšťania na nástroji nebolo stlačené.	Krátko stlačte tlačidlo bezdrôtového spúšťania a ubezpečte sa, že indikátor bezdrôtového spúšťania bliká modrou farbou.
	Prepínač pohotovostného režimu vysávača nie je nastavený na „AUTO“.	Prepínač pohotovostného režimu vysávača nastavte na „AUTO“.
	V rámci vysávača je zaregistrovaných viac než 10 nástrojov.	Znova vykonajte registráciu nástroja. V prípade registrácie viac než 10 nástrojov v rámci vysávača sa automaticky zruší nástroj zaregistrovaný ako prvý.
	Vysávač vymazal registrácie všetkých nástrojov.	Znova vykonajte registráciu nástroja.
	Bez prívodu elektrickej energie	Obnovte napájanie nástroja a vysávača.
	Nástroj a vysávač sú vzdialené od seba (mimo dosahu vysielania).	Nástroj a vysávač priblížte k sebe. Maximálny dosah vysielania je približne 10 m, za určitých okolností sa však môže meniť.
	Rušenie rádiového signálu inými spotrebičmi vytvára rádiové vlny vysokej intenzity.	Nástroj a vysávač udržuje v dostatočnej vzdialenosti od zariadení Wi-Fi a mikrovlnných rúr.

Chybný stav	Predpokladaná príčina (porucha)	Náprava
Vysávač beží, ak nástroj nepracuje.	Bezdrôtové spúšťanie vysávača využívajú iní používatelia prostredníctvom svojich nástrojov.	Vypnite tlačidlo bezdrôtového spúšťania na iných nástrojoch alebo zrušte registráciu iných nástrojov.
Nie je možné všetky zaregistrované nástroje vo vysávači.	Stlačenie tlačidla bezdrôtového spúšťania na nástroji.	Vymažte všetky registrované nástroje stlačením tlačidla bezdrôtového spúšťania na nástroji.
	Prepínač pohotovostného režimu vysávača nie je nastavený na „AUTO“.	Prepínač pohotovostného režimu vysávača nastavte na „AUTO“.
	Tlačidlo bezdrôtového spúšťania nie je správne stlačené.	Podržte tlačidlo bezdrôtového spúšťania stlačené viac ako 6 sekúnd a potom ho uvoľnite, keď indikátor bezdrôtového spúšťania začne blikať načerveno. Znova podržte tlačidlo bezdrôtového spúšťania stlačené viac ako 6 sekúnd, kým indikátor bezdrôtového spúšťania nezačne rýchlo blikať načerveno. Následne tlačidlo uvoľnite.

ÚDRŽBA

VAROVANIE: Pri výkone údržby vždy používajte respirátor P2.

POZOR: Pred vykonaním kontroly alebo údržby vždy skontrolujte, či je zariadenie vypnuté a akumulátory vybrať.

POZOR: Minimálne raz ročne musí poučená osoba vykonať technickú kontrolu vrátane kontroly filtrov, vzduchotesnosti a ovládacieho mechanizmu.

POZOR: Pri výkone údržby sa musia zlikvidovať všetky kontaminované položky, ktoré sa nedajú uspokojivo vyčistiť. Takéto položky sa musia zlikvidovať v nepriepustných vreciach v súlade s právnymi predpismi vo vašej krajine.

POZOR: Ak nástroj používate v nebezpečnej oblasti, musíte jeho vonkajšiu časť dekontaminovať pomocou metód čistenia vysávača a utrieť, prípadne ošetriť tesniacim prostriedkom, skôr než ho z tejto nebezpečnej oblasti odnesiete. Všetky časti nástroja sa po vynesení z nebezpečnej oblasti musia považovať za kontaminované a musia sa prijať vhodné opatrenia na prevenciu šírenia prachu.

POZOR: Ak sú filtre upchaté prachom alebo ak máte pocit, že sa znížil výkon vysávača, vymeňte filtre.

POZOR: Filtre pravidelne kontrolujte. Ak sú filtre natrhnuté, okamžite ich vymeňte.

UPOZORNENIE: Nepoužívajte benzín, riedidlo, alkohol ani podobné látky. Mohlo by to spôsobiť zmenu farby, deformácie alebo praskliny.

Ak chcete udržať BEZPEČNOSŤ a BEZPORUCHOVOSŤ výrobku, prenechajte opravy, údržbu a nastavenie na autorizované alebo továrenské servisné centrá Makita, ktoré používajú len náhradné diely značky Makita.

Demontáž filtračnej jednotky

POZOR: Počkajte približne 5 minút, kým sa úplne neusadí prach v nádobe.

POZOR: Pri demontáži filtračnej jednotky si dajte pozor na to, aby prach neprenikol dovnútra krytu nádoby.

Filtračná jednotka je nasadená na hlavnej jednotke. Skladá sa z hornej platne, predfiltru, tlmíčov a prachových filtrov.

1. Uvoľníte poistné háčiky a zdvihnete hlavnú jednotku z nádoby.
2. Demontujete filtračnú jednotku z hlavnej jednotky podľa obrázka.

► Obr.37: 1. Západka 2. Filtračná jednotka

Demontáž prachového filtra a predfiltra

Zdvihnete otočný gombík a demontujete filtre z hornej platne.

► Obr.38: 1. Horná platňa 2. Filtre 3. Otočný gombík

V snahe zabrániť víreniu prachu vo vzduchu sa odporúča demontované filtre vložiť do polyetylénového vrečka.

Pri prenášaní filtračnej jednotky na účely čistenia polyetylénové vrečko poriadne zaviažte.

► Obr.39: 1. Filtračná jednotka 2. Polyetylénové vrečko

► Obr.40: 1. Horná platňa 2. Filtre 3. Polyetylénové vrečko

Čistenie prachového filtra, predfiltra a tlmíča

Z času na čas filtre a tlmíč vyčistíte. Upchaté filtre a tlmíč môžu spôsobovať slabý sací výkon.

Pravidelne odstraňujte prach nahromadený na filtroch a tlmíči.

Príležitostne vyperte prachový filter, predfilter a tlmíč vo vode, opláchnite ich a pred použitím na tienistom mieste nechajte dôkladne vyschnúť. Nikdy ich neperte v práčke.

► Obr.41

POZNÁMKA: Po prachovom filtri, predfiltrí ani tlmíči nešúchajte ani neškrabte tvrdými predmetmi, ako je kefka a škrabka.

POZNÁMKA: Filtre sa časom opotrebovávajú. Odporúčame mať poruke aj náhradné filtre.

Inštalácia prachového filtra a predfiltra

UPOZORNENIE: Prachový filter a predfilter dokážu zachytávať suchý aj mokrý prach. Uistite sa, že snímače hladiny vody sa aktivujú správne s cieľom zabrániť pretrhnutiu prachového filtra.

Zachyťte okraje filtračnej jednotky o hornú platňu a potom spustíte otočný gombík.

► **Obr.42:** 1. Okraj 2. Otočný gombík

UPOZORNENIE: Pred použitím prachového filtra skontrolujte, že sa používa predfilter aj tlmíč. Prachový filter nie je dovolené inštalovať samostatne.

Montáž filtrov

Keď si objednáte filtre osobitne, zmontujte ich podľa obrázka.

► **Obr.43:** 1. Prachový filter 2. Tlmíč 3. Predfilter

Inštalácia filtračnej jednotky

Po inštalácii filtrov na hornú platňu zachyťte otvory filtračnej jednotky o časti vnútorného krytu v tvare písmena U. Potom zaistite západku podľa obrázka.

► **Obr.44:** 1. Časť v tvare písmena U 2. Otvor 3. Západka

Inštalácia vodného filtra

Voliteľné príslušenstvo

UPOZORNENIE: Pri vysávaní mokrého prachu sa uistite, že sa správne aktivujú snímače hladiny vody.

UPOZORNENIE: Ak používate vodný filter, nepoužívajte predfilter ani tlmíč.

Ak chcete vysávať iba vodu a mokrý prach, vodný filter je vhodnejší ako prachový filter a predfilter.

Pri inštalácii vodného filtra nasadte vodný filter na hornú platňu podobne ako prachový filter a predfilter.

► **Obr.45**

POZNÁMKA: Pri opakovanom vysávaní väčšieho množstva vody sa odporúča použiť vodný filter. Pri použití prachového filtra a predfiltra môže dôjsť k zníženiu výkonu vysávania.

Čistenie snímačov hladiny vody

Snímače hladiny vody slúžia na detekciu kvapaliny po naplnení nádoby. Snímače hladiny vody z času na čas vyčistíte mäkkou handričkou pri výmene filtrov.

► **Obr.46:** 1. Snímač hladiny vody

Uloženie príslušenstva

Nepoužívané príslušenstvo a nástavce, napríklad hubice, trubice a uzáver, môžete zavesiť na háčik na zadnej strane vysávača.

► **Obr.47:** 1. Nepoužívané príslušenstvo a nástavce 2. Uzáver

Ak vysávač chvíľu nebudete používať, trubice (s nainštalovaným voliteľným držiakom) môžete upevniť do držiaka trubice.

► **Obr.48:** 1. Držiak (voliteľné príslušenstvo) 2. Držiak trubice

Hadicu môžete navoľno ovinúť a skladovať okolo krytu alebo rukoväti vysávača. Spojením oboch koncov vytvoríte slučky, ktoré zaveste na zdvihnutú rukoväť.

Prípadne môžete nechať jeden koniec zasunutý vo vstupe hadice a slučky s pripevneným voľným koncom zavesiť na viacúčelový háčik.

► **Obr.49**

► **Obr.50**

VOLITEĽNÉ PRÍSLUŠENSTVO

⚠ POZOR: Pre váš nástroj Makita, opísaný v tomto návode, doporučujeme používať toto príslušenstvo a nástavce. Pri použití iného príslušenstva či nástavcov môže hroziť nebezpečenstvo zranenia osôb. Príslušenstvo a nástavce sa môžu používať len na účely pre ne stanovené.

Ak potrebujete bližšie informácie týkajúce sa tohoto príslušenstva, obráťte sa na vaše miestne servisné stredisko firmy Makita.

- Hadica
- Predné manžety (22, 24, 38)
- Rovná trubica
- Rohová hubica
- Okrúhla kefka
- Prachový filter M, H (HEPA)
- Tlmíč
- Predfilter
- Vodný filter
- Sústava otvoru
- Ohnutá trubica
- Polyetylénové vrečko
- Filtračné vrečko
- Uzáver
- Originálna batéria a nabíjačka Makita
- Bezdrôtová jednotka
- MAKPAC

POZNÁMKA: Niektoré položky zo zoznamu môžu byť súčasťou balenia nástrojov vo forme štandardného príslušenstva. Rozsah týchto položiek môže byť v každej krajine odlišný.

VAROVÁNÍ

- Toto zařízení není určeno k používání osobami (včetně dětí) s omezenými fyzickými, smyslovými či duševními schopnostmi nebo s nedostatečnými zkušenostmi a znalostmi.
- Děti musí být pod dohledem, aby si s vysavačem nehrály.
- Referenční typ akumulátoru naleznete v kapitole „SPECIFIKACE“.
- Postup sejmutí a nasazení akumulátoru naleznete v části „Nasazení a sejmutí akumulátoru“.
- Při likvidaci akumulátoru jej vyjměte z nářadí a zlikvidujte jej na bezpečném místě. Při likvidaci akumulátoru postupujte podle místních předpisů.
- Pokud nářadí delší dobu nepoužíváte, je nutné z něj akumulátor vyjmout.
- Akumulátor nezkratujte.
- Příslušné podrobnosti o opatřeních během uživatelské údržby viz kapitola „ÚDRŽBA“.

SPECIFIKACE

Model:		VC006GM
Maximální objem vzduchu na konci hadice	S hadicí BL4050F, ø28 mm × 3,5 m	2,0 m ³ /min
	S hadicí BL4050F, ø38 mm × 2,5 m	3,7 m ³ /min
Maximální objem vzduchu na turbíně (s hadicí BL4050F)		4,9 m ³ /min
Podtlak (s hadicí BL4050F)		18 kPa
Kapacita vysávací nádoby	Prach	40 l
	Voda	30 l
Rozměry (D × Š × V)		586 mm x 385 mm x 598 mm
Jmenovité napětí		72 V – 80 V DC max
Hmotnost netto		18,4 – 20,8 kg
Stupeň ochrany		IPX4

- Vzhledem k neustálému výzkumu a vývoji zde uvedené technické údaje podléhají změnám bez upozornění.
- Specifikace se mohou pro různé země lišit.
- Uvedená hmotnost nezahrnuje příslušenství kromě akumulátorů. Tabulka uvádí nejlehčí a nejtěžší kombinace zařízení a akumulátorů.

Použitelný akumulátor a nabíječka

Akumulátor	BL4020 / BL4025 / BL4040* / BL4050F* / BL4080F* * : Doporučený akumulátor
Nabíječka	DC40RA / DC40RB / DC40RC

- V závislosti na regionu vašeho bydliště nemusí být některé akumulátory a nabíječky k dispozici.

VAROVÁNÍ: Používejte pouze výše uvedené akumulátory a nabíječky. Použití jiných akumulátorů a nabíječek může způsobit zranění a/nebo požár.

Symboly

Níže jsou uvedeny symboly, se kterými se můžete při použití nářadí setkat. Je důležité, abyste dříve, než s ním začnete pracovat, pochopili jejich význam.



Přečtěte si návod k obsluze.



Buďte obzvláště opatrní a dávejte pozor.



Varování! Ve vysavači může být nebezpečný prach.



Na vysavači nikdy nestůjte.



Nikdy na vysavač nepokládejte nic těžšího než 20 kg (44 lbs).



Třída prachu M (střední): pro odlučování prachu s mezní hodnotou expozice na pracovišti nejméně 0,1 mg/m³. Vysavače umožňují vysávání prachu třídy L a M. Dodržujte místní předpisy týkající se prachu a pravidla bezpečnosti a ochrany zdraví při práci.



Pouze pro země EU
Z důvodu přítomnosti nebezpečných součástí v zařízení mohou odpadní elektrické a elektronické zařízení, akumulátory a baterie negativně ovlivnit životní prostředí a lidské zdraví. Elektrické a elektronické spotřebiče ani akumulátory nevyhazujte do domovního odpadu! V souladu s evropskou směrnicí o odpadních elektrických a elektronických zařízeních, akumulátorech a bateriích a odpadních akumulátorech a bateriích, stejně jako jejím přizpůsobením ve vnitrostátním právu, by odpadní elektrická zařízení, baterie a akumulátory měly být uchovávány odděleně a měly by být odevzdány na vyhrazeném sběrném místě komunálního odpadu, které je provozováno v souladu s předpisy na ochranu životního prostředí. Toto je označeno symbolem přeškrtnuté popelnice na kolečkách, který je umístěn na zařízení.

Účel použití

Zařízení je určeno k suchému a mokrému vysávání. Zařízení je vhodné k průmyslovému využití například v hotelech, ve školách, v nemocnicích, továrnách, obchodech, kancelářích či půjčovnách.

Hlučnost

Typická vážená hladina hluku (A) určená podle normy EN60335-2-69:

Hladina akustického tlaku (L_{PA}): 70 dB(A) nebo méně
Nejistota (K): 2,5 dB(A)

Hladina hluku při práci může překročit hodnotu 80 dB (A).

POZNÁMKA: Celková(é) hodnota(y) emisí hluku byla(y) změřena(y) v souladu se standardní zkušební metodou a dá se použít k porovnání nářadí mezi sebou.

POZNÁMKA: Hodnotu(y) deklarovaných emisí hluku lze také použít k předběžnému posouzení míry expozice vibracím.

VAROVÁNÍ: Používejte ochranu sluchu.

VAROVÁNÍ: Emise hluku se při používání elektrického nářadí ve skutečnosti mohou od deklarované(ých) hodnot(y) lišit v závislosti na způsobech použití nářadí.

VAROVÁNÍ: Nezapomeňte stanovit bezpečnostní opatření na ochranu obsluhy podle odhadu expozice ve skutečných podmínkách použití. (Vezměte přitom v úvahu všechny části provozního cyklu, tj. kromě doby zátěže například doby, kdy je nářadí vypnuté a kdy běží naprázdno.)

Vibrace

Celková hodnota vibrací (vektorový součet tří os) určená podle normy EN60335-2-69:

Emise vibrací (a_{h, M}): 2,5 m/s² nebo méně
Nejistota (K): 1,5 m/s²

POZNÁMKA: Celková(é) hodnota(y) deklarovaných vibrací byla(y) změřena(y) v souladu se standardní zkušební metodou a dá se použít k porovnání nářadí mezi sebou.

POZNÁMKA: Celkovou(é) hodnotu(y) deklarovaných vibrací lze také použít k předběžnému posouzení míry expozice vibracím.

VAROVÁNÍ: Emise vibrací se při používání elektrického nářadí ve skutečnosti mohou od deklarované(ých) hodnot(y) lišit v závislosti na způsobech použití nářadí.

VAROVÁNÍ: Nezapomeňte stanovit bezpečnostní opatření na ochranu obsluhy podle odhadu expozice ve skutečných podmínkách použití. (Vezměte přitom v úvahu všechny části provozního cyklu, tj. kromě doby zátěže například doby, kdy je nářadí vypnuté a kdy běží naprázdno.)

Prohlášení ES o shodě

Pouze pro evropské země

Prohlášení ES o shodě je obsaženo v Příloze A tohoto návodu k obsluze.

BEZPEČNOSTNÍ VÝSTRAHY

Bezpečnostní výstrahy k akumulátorovému vysavači

VAROVÁNÍ: DŮLEŽITÉ: PŘED POUŽITÍM SI POZORNĚ PŘEČTĚTE veškeré bezpečnostní výstrahy a všechny pokyny. Zanedbání výstrah a pokynů může mít za následek úraz elektrickým proudem, vznik požáru nebo vážné zranění.

1. Před použitím zajistěte, aby s vysavačem pracovaly osoby, jež jsou s používáním zařízení dostatečně obeznámeny.

2. Před použitím by měl být pracovník obsluhy informován, poučen a proškolen ohledně používání stroje a látek, na které se má používat, a to včetně bezpečného postupu likvidace a odebrání vysátého materiálu.
3. Dojde-li k úniku pěny či tekutiny, zařízení okamžitě vypněte.
4. Pravidelně čistěte zařízení omezující výšku hladiny vody a kontrolujte, zda není poškozeno.
5. Před každým použitím ověřte správnou instalaci filtrů. Vysavač nepoužívejte bez nasazených filtrů. Poškozený filtr ihned vyměňte. Je dobré jich mít k dispozici několik, jelikož filtry jsou spotřebním materiálem.
6. **ZAMEZTE NECHTĚNÉMU SPUŠTĚNÍ.** Během instalace akumulátoru/akumulátorů se ujistěte, zda je přepínač v poloze VYP.
7. Nevysávejte hořlavé materiály, pyrotechniku, hořící cigarety, horký popel, horké třísky a ostré materiály jako žiletky, jehly, rozbité sklo atp.
8. **S VYSAVAČEM NIKDY NEPRACUJTE V BLÍZKOSTI LÁTEK, JAKO JE BENZÍN, PLYN, BARVY, LEPIDLO ČI JINÉ VYSOCE VÝBUŠNĚ HMOTY.** Při přepínání poloh ZAP. a VYP. přepínač jiskří. Stejně tak při provozu jiskří i komutátor motoru. Mohlo by dojít k nebezpečnému výbuchu.
9. Nikdy nevysávejte toxické, karcinogenní, hořlavé či jiné nebezpečné materiály jako azbest, arzén, baryum, beryllium, olovo, pesticidy či jiné látky ohrožující zdraví.
10. Vysavač vždy umístějte na vodorovný rovný povrch, abyste zabránili jeho pádu nebo neúmyslnému pohybu.
11. S vysavačem nikdy nepracujte venku v dešti.
12. Ve Finsku není tento stroj určen pro používání venku při nízké teplotě.
13. Nepracujte v blízkosti zdrojů tepla (u kamen atp.).
14. Pokud se vyfukovaný vzduch vrací zpět do místnosti, je nezbytné zajistit ovpovídající rychlost výměny vzduchu v místnosti. Další informace viz národní předpisy.
15. Neblokujte vstupy sání/výstupy/chladicí otvory. Tyto otvory umožňují chlazení motoru. Blokování je třeba pozorně zamezit, jinak se motor z důvodu nedostatku ventilace spálí.
16. Udržujte vždy správný postoj a rovnováhu.
17. Nepřehýbejte hadici, netahejte za ni a nešlepejte po ní.
18. Při zpozorování slabého výkonu či jiného nenormálního chování během provozu vysavač okamžitě vypněte.
19. **VYJMĚTE AKUMULÁTOR(Y).** Pokud jej nepoužíváte, před prováděním servisních zásahů a při výměně příslušenství.
20. V rámci uchování vysavače ve špičkové provozuschopnosti proveďte bezprostředně po každém použití vyčištění a údržbu.
21. **O VYSAVAČ SE PEČLIVĚ STAREJTE.** Vysavač udržujte v čistotě – zajistíte tak lepší a bezpečnější výkon. Při výměně příslušenství postupujte podle pokynů. Držadla udržujte suchá, čistá a chráňte je před olejem a mazacím tukem.
22. **ZKONTROLUJTE, ZDA NEJSOU POŠKOZENY DÍLY.** Před dalším používáním vysavače je nutné pečlivě zkontrolovat kryty i jakékoli jiné poškozené díly a zjistit, zda bude zařízení i nadále správně pracovat a plnit příslušnou funkci. Zkontrolujte vyrovnání pohyblivých částí, spoje pohyblivých částí, zda nejsou některé díly rozbité či uvolněné a zda nenašly nějaké potíže ovlivňující funkci. Pokud není jinde v tomto návodu k obsluze stanoveno jinak, musí být poškozený kryt či jiný díl řádně opraven nebo vyměněn autorizovaným servisním střediskem. Vadné přepínače musí být vyměněny autorizovaným servisním střediskem. Jestliže zařízení nelze přepínačem zapnout a vypnout, nepoužívejte je.
23. Při provádění servisu ze strany uživatele by stroj měl být rozebrán, vyčištěn a měl by být proveden servis v míře, která je rozumně proveditelná, aniž by to ohrozilo pracovníky údržby nebo jiné osoby.
24. Stroj by měl po technické stránce zkontrolovat výrobce nebo pověřená osoba minimálně jednou ročně, a to včetně prohlídky stavu filtrů, vzduchotěsnosti stroje a správné funkce řídicího mechanismu.
25. Při provádění servisu nebo oprav je nutno zlikvidovat veškeré znečištěné části, které nelze uspokojivě vyčistit; tyto části je nutno zlikvidovat v neprodyšných sáčcích v souladu s jakýmkoli platnými předpisy pro likvidaci takového odpadu.
26. **NÁHRADNÍ DÍLY:** Při opravách používejte pouze identické náhradní díly.
27. **ULOŽENÍ NEPOUŽÍVANÉHO VYSAVAČE:** Není-li vysavač používán, je třeba jej uložit ve vhodné místnosti.
28. Filtry pro mokré vysávání a vnitřní část nádoby na kapalinu je třeba před skladováním vysušit.
29. S vysavačem zacházejte ohleduplně. Hrubým zacházením můžete rozbit i nejdolnější zařízení.
30. Vysavač nečistěte zvenku ani zevnitř benzinem, ředidlem ani čisticími chemikáliemi. Mohlo by dojít ke vzniku prasklin a změnám barvy.
31. Vysavač nepoužívejte v uzavřených prostorech s hořlavými, výbušnými či jedovatými výpary vznikajícími z olejových nátěrů, ředidel, benzínu, přípravků proti molům atd., ani v oblastech s hořlavým prachem.
32. S tímto ani s žádným jiným zařízením nepracujte pod vlivem léků či alkoholu.
33. V rámci zajištění základní bezpečnosti používejte ochranné či bezpečnostní brýle s postranními kryty.
34. V prašném pracovním prostředí používejte respirátor.
35. Toto zařízení není určeno k používání osobami (včetně dětí) s omezenými fyzickými, smyslovými či duševními schopnostmi nebo s nedostatečnými zkušenostmi a znalostmi.
36. Děti musí být pod dohledem, aby si s vysavačem nehrály.
37. S akumulátorem/akumulátory ani s vysavačem nikdy nemanipulujte mokřýma rukama.

38. **Obzvláště opatrní buďte při práci na schodech.**
 39. **Vysavač nepoužívejte jako sedátko či pracovní stůl. Zařízení by mohlo spadnout a následně způsobit zranění.**
- Práce s akumulátorovým nářadím a péče o něj**
1. **Nabíjení provádějte pouze pomocí nabíječky určené výrobcem.** Nabíječka vhodná pro jeden typ akumulátoru může při použití s jiným akumulátorem vést ke vzniku nebezpečí požáru.
 2. **Elektrické nářadí používejte pouze s určenými akumulátory.** Použití jiných akumulátorů může vyvolat nebezpečí zranění a požáru.
 3. **Pokud akumulátor nepoužíváte, udržujte jej mimo dosah jiných kovových předmětů, jako jsou kancelářské sponky, mince, klíče, hřebíky, šrouby nebo jiné malé kovové předměty, které mohou propojit svorky akumulátoru.** Zkratování svorek akumulátoru může způsobit popáleniny nebo požár.
 4. **Při hrubém zacházení může z akumulátoru uniknout elektrolyt. Vyvarujte se styku s ním. Pokud dojde k náhodnému kontaktu, omyjte zasažené oči vodou. Pokud elektrolyt zasáhne oči, vyhledejte lékařskou pomoc.** Elektrolyt uniklý z akumulátoru může způsobit podráždění nebo popálení pokožky.
 5. **Nepoužívejte poškozený nebo upravený akumulátor nebo nářadí.** U poškozených nebo upravených akumulátorů může dojít k neočekávanému chování, které může mít za následek požár, výbuch nebo riziko poranění.
 6. **Akumulátor nebo nářadí nevystavujte ohni nebo vysokým teplotám.** Při vystavení žáru ohně nebo teplotám nad 130 °C může dojít k výbuchu.
 7. **Postupujte dle nabíjecích pokynů a akumulátor nebo nářadí nenabíjejte mimo teplotní rozsah specifikovaný v pokynech.** Nesprávné nabíjení při teplotách mimo stanovený rozsah může poškodit akumulátor a zvýšit riziko požáru.
4. **Budou-li vaše oči zasaženy elektrolytem, vypláchněte je čistou vodou a okamžitě vyhledejte lékařskou pomoc. Může dojít ke ztrátě zraku.**
 5. **Akumulátor nezkratujte:**
 - (1) **Nedotýkejte se svorek žádným vodivým materiálem.**
 - (2) **Neskladujte akumulátor v nádobě s jinými kovovými předměty, jako jsou hřebíky, mince, apod.**
 - (3) **Nevystavuje akumulátor vodě a dešti. Zkrat akumulátoru může způsobit velký průtok proudu, přehřátí, možné popálení a dokonce i poruchu.**
 6. **Neskladujte a nepoužívejte nářadí a akumulátor na místech, kde může teplota překročit 50 °C (122 °F).**
 7. **Nespalujte akumulátor, ani když je vážně poškozen nebo úplně opotřeben. Akumulátor může v ohni vybuchnout.**
 8. **Akumulátor nesmí být proražen hřebíkem, řezán, drcen, házen či puštěn na zem, ani nesmí dojít k nárazu tvrdého předmětu do něj.** Taková situace může způsobit požár, nadměrné zahřátí či výbuch.
 9. **Nepoužívejte poškozené akumulátory.**
 10. **Obsažené lithium-iontové akumulátory podléhají právním požadavkům na nebezpečné zboží.**

V případě komerční přepravy například externími dopravci je třeba dodržet zvláštní požadavky na balení a značení.

Pro přípravu zboží k přepravě je nutná konzultace s odborníkem na nebezpečný materiál. Dodržujte také případné podrobnější národní předpisy. Odkryté kontakty přelepte izolační páskou či jinak zakryjte a akumulátory zabalte tak, aby se v balení nemohly pohybovat.
 11. **Při likvidaci akumulátoru jej vjemtě z nářadí a zlikvidujte jej na bezpečném místě. Při likvidaci akumulátoru postupujte podle místních předpisů.**

TYTO POKYNY USCHOVEJTE.

VAROVÁNÍ: NEDOVOLTE, aby pohodlnost nebo pocit znalosti výrobku (získaný na základě předchozího použití) vedl k zanedbání dodržování bezpečnostních pravidel platných pro tento výrobek. **NESPRÁVNÉ POUŽÍVÁNÍ** či nedodržení bezpečnostních pravidel uvedených v tomto návodu k obsluze může způsobit vážné zranění.

Důležitá bezpečnostní upozornění pro akumulátor

1. **Před použitím akumulátoru si přečtěte všechny pokyny a varovné symboly na (1) nabíječce, (2) akumulátoru a (3) výrobku využívajícím akumulátor.**
2. **Nerozebírejte akumulátor ani do něj nijak nezasahujte.** Může dojít k požáru, nadměrnému zahřátí nebo výbuchu.
3. **Pokud se příliš zkrátí provozní doba akumulátoru, přerušete okamžitě práci. V opačném případě existuje riziko přehřívání, popálení nebo dokonce výbuchu.**
12. **Akumulátor používejte pouze s výrobky specifikovanými společností Makita.** Instalace akumulátoru do nevhodujících výrobků může způsobit požár, nadměrné zahřívání, explozi nebo únik elektrolytu.
13. **Pokud nářadí delší dobu nepoužíváte, je nutné z něj akumulátor vyjmout.**
14. **Během a po použití se může akumulátor zahřát, což může způsobit popáleniny nebo podráždění. Při manipulaci s horkými akumulátory dávejte pozor.**
15. **Nedotýkejte se koncovek na nářadí ihned po použití, protože ta může být horká a způsobit popáleniny.**
16. **Do koncovek, otvorů a zdiřek na akumulátoru se nesmí dostat piliny, prach nebo jiné nečistoty. To může způsobit zahřátí, vznícení, prasknutí a poruchu nářadí nebo akumulátoru, což může vést k popáleninám nebo zranění osob.**

17. Jestliže nářadí není zkonstruováno tak, že lze používat v blízkosti vysokého elektrického napětí, nepoužívejte akumulátor poblíž vedení s vysokým elektrickým napětím. Mohlo by tím dojít k poruše či selhání nářadí či akumulátoru.
18. Akumulátor uchovávejte mimo dosah dětí.

TYTO POKYNY USCHOVEJTE.

⚠️ UPOZORNĚNÍ: Používejte pouze originální akumulátory Makita. Používání neoriginálních nebo upravených akumulátorů může způsobit explozi akumulátoru a následný požár, zranění a jiné poškození. Zaniká tím také záruka společnosti Makita na nářadí a nabíječku Makita.

Tipy k zajištění maximální životnosti akumulátoru

1. Akumulátor nabíjte dříve, než dojde k jeho úplnému vybití. Pokud si povšimnete sníženého výkonu nářadí, vždy jej zastavte a dobijte akumulátor.
2. Nikdy nenabíjete úplně nabitý akumulátor. Přebíjení zkracuje životnost akumulátoru.
3. Akumulátor dobíjete při pokojové teplotě od 10 °C do 40 °C (50 °F až 104 °F). Před nabíjením nechte horký akumulátor zchladnout.
4. Když není akumulátor používán, vyjměte ho z nářadí či nabíječky.
5. Pokud se akumulátor delší dobu nepoužívá (déle než šest měsíců), je nutno jej dobít.

Důležité bezpečnostní pokyny pro bezdrátovou jednotku

1. Nikdy neotvírejte kryt drážky sami při instalaci bezdrátové jednotky.
2. Bezdrátovou jednotku nerozebírejte ani do ní nezasahujte.
3. Bezdrátovou jednotku uchovávejte mimo dosah malých dětí. Pokud by nedopatřením došlo ke spolknutí, okamžitě vyhledejte lékařskou pomoc.
4. Bezdrátovou jednotku používejte pouze s nástroji Makita.
5. Bezdrátovou jednotku nevystavujte dešti a vlhku.
6. Bezdrátovou jednotku nepoužívejte na místech, kde teplota překračuje 50 °C.
7. Bezdrátovou jednotku neprovazujte na místech, kde se nachází lékařské přístroje, jako je kardiostimulátor, nebo v jejich blízkosti.
8. Neprovazujte bezdrátovou jednotku na místech, kde se nachází automatizovaná zařízení, nebo v jejich blízkosti. V případě provozu může u automatizovaných zařízení docházet k poruchám nebo chybám.
9. Nepoužívejte bezdrátovou jednotku v místech se zvýšenou teplotou nebo na místech, kde se může generovat statická elektřina nebo elektronický šum.
10. Bezdrátová jednotka může vytvářet elektromagnetická pole (EMP), která ale nejsou pro uživatele škodlivá.
11. Bezdrátová jednotka je přesný přístroj. Dávejte pozor, abyste bezdrátovou jednotku neupustili ani s ní nenaráželi.
12. Nedotýkejte se svorek bezdrátové jednotky holými rukama nebo kovovými materiály.
13. Při instalaci bezdrátové jednotky vždy vyjměte akumulátor výrobku.
14. Při otevření krytu drážky dejte pozor na místo, ze kterého se může dostat prach a voda do drážky. Udržujte vstupní část drážky stále čistou.
15. Bezdrátovou jednotku vždy vkládejte ve správném směru.
16. Netlačte na tlačítko bezdrátové aktivace na bezdrátové jednotce příliš silně a netlačte na něj předměty s ostrými hranami.
17. Při používání vždy zavřete kryt drážky.
18. Neodpojujte bezdrátovou jednotku z drážky, zatímco je nástroj napájen. V opačném případě hrozí poškození bezdrátové jednotky.
19. Neodstraňujte nálepkou na bezdrátové jednotce.
20. Nelepte na bezdrátovou jednotku žádné nálepky.
21. Neponechávejte bezdrátovou jednotku na místě, kde se může generovat statická elektřina nebo elektronický šum.
22. Nenechávejte bezdrátovou jednotku na místech, kde by mohla být vystavena velkému teplu, například v autě na slunci.
23. Neponechávejte bezdrátovou jednotku v prašném prostředí nebo na místech, kde se může působit korozivní plyn.
24. Náhlé změny teploty mohou způsobit navlhnutí bezdrátové jednotky. Bezdrátovou jednotku nepoužívejte, dokud nebude vlhkost kompletně vysušena.
25. Při čištění bezdrátové jednotky ji opatrně otřete suchým jemným hadříkem. Nepoužívejte benzín, ředidlo, vodivé mazivo a podobně.
26. Při uskladnění bezdrátové jednotky ji uchovávejte v dodávaném pouzdru nebo antistatickém obalu.
27. Nevkládejte do drážky nástroje jiná zařízení, než je bezdrátová jednotka Makita.
28. Nepoužívejte nástroj, pokud je kryt drážky poškozen. Do drážky se může dostat voda, prach a nečistoty a způsobit poruchu.
29. Za kryt drážky netahujte ani se ho nesazte zkroutit více, než je potřeba. Uvolněný kryt znovu připevněte.
30. Pokud se kryt drážky ztratí nebo poškodí, nahraďte ho.

TYTO POKYNY USCHOVEJTE.

POPIS FUNKCÍ

⚠ UPOZORNĚNÍ: Před nastavováním zařízení nebo kontrolou jeho funkce se vždy přesvědčte, zda je vypnuté a jsou vyjmuté akumulátory.

Nasazení a sejmutí akumulátoru

⚠ UPOZORNĚNÍ: Před nasazením či sejmutím akumulátoru nářadí vždy vypněte.

⚠ UPOZORNĚNÍ: Při nasazování či snímání akumulátoru pevně držte vysavač i akumulátor. V opačném případě vám může vysavač nebo akumulátor vyklouznout z rukou a mohlo by dojít k jejich poškození či ke zranění.

⚠ UPOZORNĚNÍ: Při otevírání a zavírání krytu akumulátoru si počinejte opatrně, abyste si neskřípli prsty. V opačném případě by mohlo dojít ke zranění.

Před instalací akumulátoru nejprve uvolněte zámek a poté otevřete kryt akumulátoru. Poté vložte akumulátor.

► **Obr.1:** 1. Zámek 2. Kryt akumulátoru

Vyrovnejte jazýček na bloku akumulátoru s drážkou v krytu a zasuňte akumulátor na místo. Akumulátor zasuňte na doraz, až zacvakne na své místo. Poté zajistěte kryt baterie.

► **Obr.2:** 1. Akumulátor 2. Tlačítko

Chcete-li akumulátor sejmout, vysuňte jej se současným přesunutím tlačítka na přední straně akumulátoru.

⚠ UPOZORNĚNÍ: Akumulátor vždy vkládejte zcela. Pokud tak neučiníte, může z vysavače náhodně vypadnout a způsobit vám nebo osobám ve vašem okolí zranění.


















⚠ UPOZORNĚNÍ: Akumulátor nenasazujte násilím. Nelze-li akumulátor zasunout snadno, nevkládejte jej správně.

POZNÁMKA: Vysavač jen s jedním nasazeným akumulátorem nepracuje.

Indikace zbývající kapacity akumulátoru

Stisknutím tlačítka kontroly na akumulátoru zjistíte zbývající kapacitu akumulátoru. Kontrolky indikátoru se na několik sekund rozsvítí.

► **Obr.3:** 1. Kontrolky 2. Tlačítko kontroly

Kontrolky			Zbývající kapacita
 Svítí	 Nesvítí	 Bliká	
			75 % až 100 %
			50 % až 75 %
			25 % až 50 %
			0 % až 25 %
			Nabijte akumulátor.
			Došlo pravděpodobně k poruše akumulátoru.
			

POZNÁMKA: Kapacita udávaná indikátorem se může mírně lišit od skutečné kapacity v závislosti na podmínkách používání a teplotě prostředí.





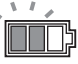
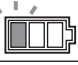


POZNÁMKA: První kontrolka (zcela vlevo) bude blikat, když je systém ochrany akumulátoru v provozu.

Kontrolky akumulátoru na ovládacím panelu

Zbývající kapacita akumulátoru je kdykoliv zobrazena na ovládacím panelu. Stiskněte tlačítko kontroly a levá a pravá kontrolka budou ukazovat úroveň nabití příslušného akumulátoru.

► **Obr.4:** 1. Levá kontrolka akumulátoru 2. Pravá kontrolka akumulátoru 3. Tlačítko kontroly

► **Obr.5**

Stav indikátoru akumulátoru			Zbývající kapacita akumulátoru
 Svítí	 Nesvítí	 Bliká	
			50 % až 100 %
			20 % až 50 %
			0 % až 20 %
			Nabijte akumulátor
			Akumulátor není vložený

POZNÁMKA: Kontrolka akumulátoru je v provozu, když jsou namontovány dva akumulátory.

POZNÁMKA: Kontrolky akumulátoru budou také aktivovány při zapnutí vysavače.

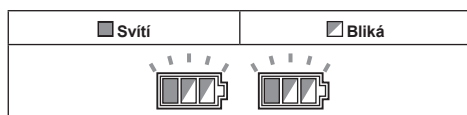
System ochrany zařízení a akumulátoru

Zařízení je vybaveno systémem ochrany akumulátoru i samotného zařízení. Tento systém automaticky přeruší napájení motoru, aby se prodloužila životnost zařízení a akumulátoru. Budou-li zařízení nebo akumulátor vystaveny některé z níže uvedených podmínek, zařízení se během provozu automaticky zastaví:

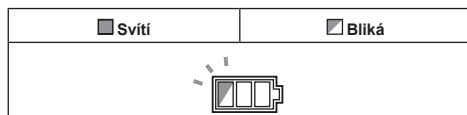
Ochrana proti přetížení

Pokud se se zařízením/akumulátorem pracuje způsobem vyvolávajícím mimořádně vysoký odběr proudu, zařízení se automaticky vypne. V takové situaci zařízení vypněte a ukončete činnost, při níž došlo k přetížení zařízení. Potom zařízení zapněte a obnovte činnost.

Ochrana proti přehřátí



Pokud je zařízení přehřáté, automaticky se zastaví a levá a pravá kontrolka akumulátoru začnou blikat. V takovém případě nechte zařízení před opětovným zapnutím vychladnout a vyčistěte filtry.



Když je akumulátor přehřátý, zařízení se automaticky zastaví a jedna z obou kontrolky přehřátí akumulátoru začne blikat. V takovém případě nechte akumulátor před opětovným zapnutím zařízení vychladnout.

Ochrana proti přílišnému vybití

V případě nízké zbývající kapacity akumulátoru se zařízení automaticky zastaví. Jestliže zařízení při ovládání přepínače neběží, vyjměte akumulátory ze zařízení a nabijte je.

Ochrana proti jiným závadám

Ochranný systém je také navržen i pro jiné příčiny, které by mohly zařízení poškodit, a umožňuje automatické zastavení zařízení. Když se zařízení dočasně pozastaví nebo přestane pracovat, proveďte veškeré kroky k odstranění příčin.

1. Restartujte zařízení jeho vypnutím a opětovným zapnutím.
2. Nabijte akumulátor(y) nebo jej (je) vyměňte za nabitý (nabité).
3. Nechte zařízení a akumulátor(y) vychladnout.

Pokud se obnovou ochranného systému nedosáhne žádného zlepšení, obraťte se na místní servisní středisko Makita.

Používání spouště

Zapnutí vysavače

1. Přepněte přepínač pohotovostního režimu do polohy „I“ (ON) nebo „AUTO“ (ON) za účelem připravení vysavače v pohotovostním režimu.
2. Stiskněte tlačítko napájení. Chcete-li se znovu přepnout do pohotovostního režimu, znovu stiskněte tlačítko napájení.

Vypnutí vysavače

Provedte jeden z následujících kroků.

- Stiskem tlačítka napájení uveďte vysavač zpět do pohotovostního režimu.
- Nastavte přepínač pohotovostního režimu do polohy „O“ (OFF).

Úprava sacího výkonu

Sací výkon lze nastavit podle potřeby vykonávané práce.

- Otočením nastavovacího knoflíku síly sání doleva sací výkon snižujete.
- Otáčením nastavovacího knoflíku síly sání doprava sací výkon zvyšujete.

Volba průměru hadice

Otočte volič průměru hadice na průměr hadice, kterou hodláte použít.

POZNÁMKA: Neotáčejte volič do mezery mezi čísla. Vždy otočte volič podle průměru hadice.

- **Obř.6:** 1. Přepínač pohotovostního režimu 2. Nastavovací knoflík síly sání 3. Volič volby průměru hadice 4. Tlačítko napájení

POZOR: Když vysavač delší dobu nepoužíváte, vždy nastavte přepínač pohotovostního režimu do polohy „O“. Vysavač v pohotovostním režimu spotřebovává energii.

Varovné pípnutí

Existují dva druhy pípnutí. Jedním jsou krátká pípnutí a druhým nepřetržitá pípnutí.

- Když rychlost proudění vzduchu klesne pod 20 m/s, vysavač vydává z bezpečnostních důvodů krátká výstražná pípnutí. Když se takové pípnutí rozezná, zkontrolujte volič volby průměru hadice nebo to, zda není síla sání příliš nízká. Pokud pípnutí stále zní, proveďte údržbu nebo se obraťte na místní servisní středisko.
- Když je nádoba naplněná kapalinou, vysavač vydává nepřetržitá varovná pípnutí a automaticky se zastaví. Po zastavení vysavače jej vypněte a nádobu vyprázdněte.

Automatické zastavení vysávání během vlhkého vysávání

VAROVÁNÍ: Nevysávejte pěnu ani mýdlovou vodu. To může způsobit únik pěny ze vzduchového výstupu. Pokračování v práci za těchto okolností může způsobit úraz elektrickým proudem a poruchu vysavače.

Vysavač je vybaven mechanismem zamezujícím vniknutí vody do motoru při nasátí většího než určeného množství vody. Když je nádoba plná kapaliny, vysavač vydává nepřetržitá varovná pípnutí a automaticky se zastaví. Po zastavení vysavače jej vypněte a nádobu vyprázdněte.

Systém čištění filtrů

Toto zařízení má systém čištění filtrů. Během používání zařízení systém čištění filtrů automaticky odprašuje filtry, aby se zabránilo snížení síly sání v důsledku zanesení filtrů.

Pokud zařízení nasaje velké množství prachu najednou, síla sání se může snížit. V takovém případě doporučujeme filtry vyčistit ručně.

1. Vypněte zařízení.
2. Nastavte sílu sání na maximum a pak dlaní zakryjte otvor sací hadice.
3. Zapněte zařízení a nechte jej zapnuté přibližně 15 sekund se zakrytým otvorem sací hadice.

► **Obr.7:** 1. Otvor sací hadice

POZNÁMKA: Objem vzduchu se může během aktivace systému čištění filtrů změnit, ale nejedná se o závalu.

Výpusť vody

Když je nádoba plná kapaliny, vypněte vysavač a otevřete víčko výpusť vody, aby se nádoba vyprázdnila.

► **Obr.8:** 1. Víčko výpusť vody

Víčko

Víčko se dodává se zařízením. Nasazení víčka na port připojení hadice zabraňuje vysávanému prachu, aby se dostal ven z vysavače.

► **Obr.9:** 1. Víčko

Aretace a odblokování koleček

Přední kolečka lze zaaretovat pomocí zarážek, aby mohl vysavač lépe stát na místě.

Stisknutím páčky zarážky dolů kolečko zaaretujete, zvednutím jej uvolníte.

► **Obr.10:** 1. Kolečko 2. Páčka zarážky 3. ODIJŠTĚNÁ poloha 4. ZAJIŠTĚNÁ poloha

POZNÁMKA: Při přesunování vysavače se ujistěte, zda je kolečko odblokováno. Přemístováním vysavače s kolečkem v zaaretované poloze můžete kolečko poškodit.

Držadlo pro přenášení

UPOZORNĚNÍ: Zařízení zvedejte a přenášejte opatrně. V opačném případě může dojít ke zranění nebo poškození zařízení.

Při přenášení vysavač uchopte za držadlo na hlavové jednotce. Pokud se držadlo nepoužívá, je zasunuto v hlavové jednotce.

► **Obr.11**

Pokud je obtížné přenášet zařízení bez pomoci, přenášejte jej ve dvou osobách, jak je znázorněno na obrázku.

► **Obr.12**

► **Obr.13**

SESTAVENÍ

VAROVÁNÍ: V jednotce může být nebezpečný prach. Při výměně filtračních vložek a vaku na prach nebo údržbě vždy používejte respirátor P2.

UPOZORNĚNÍ: Před prováděním jakýchkoli prací na zařízení se vždy přesvědčte, zda je zařízení vypnuté a jsou z něj vyjmuté akumulátory.

Montáž a likvidace filtračního vaku

VAROVÁNÍ: Vždy používejte respirátor P2.

VAROVÁNÍ: Před použitím filtračního vaku se ujistěte, zda je vždy zároveň použita filtrační jednotka. Zanedbání použití filtrační jednotky společně může být příčinou hlučnosti a zahřívání, jež může vyvolat požár.

VAROVÁNÍ: Při použití zařízení prachové třídy M se vždy ujistěte, že používáte filtrační vak.

POZOR: Nikdy nevysávejte vodu, jiné kapaliny či mokry prach pomocí filtračního vaku. Vysávání těchto materiálů může způsobit protržení filtračního vaku.

1. Uvolněte háčky zámků a zvedněte hlavovou jednotku z nádoby.
► **Obr.14:** 1. Háček zámků
2. Rozložte filtrační vak.
3. Otvor filtračního vaku vyrovnejte se sáním prachu nádoby.
4. Kartonovou část filtračního vaku nasadte na nářadí tak, aby byla umístěna na konci za výstupkem západky.
► **Obr.15:** 1. Filtrační vak 2. Kartonový otvor 3. Držák filtračního vaku 4. Sání prachu 5. Hrana

Při likvidaci filtračního vaku zatáhněte za hranu ústí filtračního vaku tak, aby ústí bylo uzavřeno papírem.

Nasazení polyetylenového sáčku

Volitelné příslušenství

Položte polyetylenový sáček přes nádobu, zasuňte jednu stranu horní hrany sáčku na jeho otevřené straně mezi přídržnou desku a přední stěnu nádoby.

Pak roztáhněte ostatní horní hrany vaku ven přes horní obruby nádoby.

S filtračním vakem lze použít polyetylenový sáček.

► **Obr.16:** 1. Přídržná deska 2. Přední stěna nádoby 3. Polyetylenový sáček

POZNÁMKA: Můžete použít běžně dostupný polyetylenový sáček. Doporučuje se použít sáček tloušťky nad 0,04 mm a obvodu nad 2 000 mm.

POZNÁMKA: Velké množství prachu polyetylenový sáček snadno roztrhne, zamezte tedy přepličování sáčku. Manipulace s těžkým sáčkem může být pro lidské tělo namáhavá.

Vyprazdňování nádoby s polyetylenovým sáčkem

VAROVÁNÍ: Před vyprázdněním nádoby se vždy přesvědčte, zda je vysavač vypnutý a jsou vyjmuté akumulátory. V opačném případě může dojít k úrazu elektrickým proudem a vážnému zranění.

POZOR: Sběrnou nádobu alespoň jednou za den vysypte i přesto, že záleží především na objemu prachu shromážděného ve sběrné nádobě. Jinak se sníží síla sání a může se poškodit motor.

POZOR: Při vyprazdňování nádoby nedržte za háčky zámku. Držení za háčky zámku může způsobit jejich zlomení.

1. Uvolněte háčky zámku a zvedněte hlavovou jednotku z nádoby.

2. Vyjměte polyetylenový sáček z nádoby a rukou zavřete otvor sáčku.

► Obr.17: 1. Polyetylenový sáček 2. Nádoba

POZNÁMKA: Polyetylenový sáček vytahujte z nádoby opatrně, aby se nezachytil a neprotřhl o hrany uvnitř nádoby.

POZNÁMKA: Polyetylenový sáček vyprázdňte ještě než se zcela zaplní. Příliš mnoho prachu ve sběrné nádobě může polyetylenový sáček protřhnout.

Instalace hadice

POZOR: Hadici nikdy neohýbejte násilím a nešlapejte na ni. Vysavač nikdy nepřesunujte taháním za hadici. Hrubým zacházením, šlapáním či taháním můžete hadici zlomit či zdeformovat.

POZOR: Při vysávání objemného odpadu, například z hoblování, úlomků betonu či podobného materiálu použijte hadici s vnitřním průměrem 38 mm (volitelné příslušenství). Hadice o vnitřním průměru 28 mm (volitelné příslušenství) se může ucpat a poškodit.

POZOR: Vždy, když vyjímáte hadici z vysavače, nasadte víčko na montážní port.

Připojení k vysavači

Sejměte víčko z montážního portu. Víčko může být uloženo v zadní části vysavače, když je k vysavači připojena hadice.

► Obr.18: 1. Víčko

Zasuňte konec hadice k sání prachu (vstup hadice) vysavače a pak jej otočte v sméru hodinových ručiček a zajistěte na místě.

► Obr.19: 1. Hadice 2. Sání prachu (vstup hadice)

Připojení k pracovním nářadím (Specifické podle země)

Připojením vysavače k jakýmkoliv dostupným pracovním nářadím kompatibilním s vysavačem můžete zajistit jeho provoz jako odsávače prachu pro vaše elektrické nářadí.

Vyberte jednu z předních manžet nebo spojovacích částí (volitelné příslušenství), která nejlépe odpovídá modelu vašeho nářadí. Umístěte manžetu nebo spojovací část dle potřeby mezi přední stranu hadice vysavače a otvor odsávání prachu nářadí.

► Obr.20: 1. Přední manžety nebo spojovací část 2. Hadice vysavače 3. Elektrické nářadí 4. Vysavač

Montáž a demontáž nástavců k vysávání

UPOZORNĚNÍ: Po montáži nástavce zkontrolujte, zda je bezpečně zajištěn. Pokud bude nástavec nasazen nesprávně, může se uvolnit a způsobit úraz.

Používání nástavce bez funkce zámku

Volitelné příslušenství

Zasuňte nástavec do vstupu sání vysavače ručním zatlačením a zašroubováním na místo.

Po použití ručně otočte a vytáhněte nástavec ze vstupu sání.

► Obr.21

Instalace MAKPAC

Volitelné příslušenství

UPOZORNĚNÍ: Na zařízení nestoupejte ani na něm neseďte. Mohlo by spadnout z důvodu nestability.

UPOZORNĚNÍ: Při instalaci MAKPAC postupujte opatrně. V opačném případě může dojít ke zranění nebo poškození zařízení.

UPOZORNĚNÍ: Když je MAKPAC nainstalován na zařízení, nezvedejte zařízení za držadlo MAKPAC.

UPOZORNĚNÍ: Při přemísťování zařízení s nainstalovaným MAKPAC netlačte na MAKPAC, ale na tělo zařízení. Tlačení na MAKPAC může zlomit západky a způsobit spadnutí MAKPAC, což může mít za následek zranění.

Na horní část vysavače lze instalovat připojitelná a skládatelná úložná pouzdra MAKPAC. Tato pouzdra jsou k dispozici v mnoha velikostech a tvarech, aby to odpovídalo vašim požadavkům.

1. Vyklopte západky na horním povrchu vysavače.

► Obr.22: 1. Západka

2. Namontujte pouzdra MAKPAC na vysavač a zajistěte je západkami.

► Obr.23: 1. Západka 2. MAKPAC

Maximální výška a hmotnost instalace MAKPAC je 315 mm a 20 kg.

► Obr.24

PRÁCE S NÁŘADÍM

VAROVÁNÍ: Vždy používejte respirátor P2.

UPOZORNĚNÍ: Pokud z nářadí uniká pěna nebo kapalina, okamžitě jej vypněte. Pokračování v práci za těchto okolností může způsobit úraz elektrickým proudem a poruchu vysavače.

FUNKCE BEZDRÁTOVÉ AKTIVACE

Volitelné příslušenství

Co lze provádět s funkcí bezdrátové aktivace

Funkce bezdrátové aktivace umožňuje čistý a pohodlný provoz. Pomocí připojení podporovaného nástroje k vysavači můžete automaticky používat vysavač při aktivaci spouště nástroje.

► Obr.25

POZOR: Při používání funkce bezdrátové aktivace konzultujte návod k obsluze nástroje.

POZOR: Bezdrátovou jednotku nerozebírejte ani do ní nezasahujte.

POZOR: Aby nepronikl prach do slotu na bezdrátovou jednotku, vždy za provozu a při skladování bezpečně uzavřete víčko.

POZOR: Netlačte na tlačítko bezdrátové aktivace příliš silně a netlačte na něj předměty s ostrými hranami.

POZNÁMKA: K bezdrátové aktivaci jsou nutné nástroje Makita vybavené bezdrátovou jednotkou.

POZNÁMKA: Před prvním použitím funkce bezdrátové aktivace je u každého nástroje nutná registrace. Po dokončení registrace nástroje není nutné tento postup opakovat, pokud nedojde k jeho zrušení.

POZNÁMKA: Před registrací si ověřte, zda je bezdrátová jednotka správně vložena.

POZNÁMKA: Jedna bezdrátová jednotka může registrovat až 10 propojení s jinými bezdrátovými jednotkami. Pokud je k jedné bezdrátové jednotce registrováno 10 bezdrátových jednotek, při registraci další bezdrátové jednotky se automaticky zruší nejstarší registrace.

POZNÁMKA: Umístění tlačítka bezdrátové aktivace se u jednotlivých nástrojů liší.

POZNÁMKA: Když je přepínač pohotovostního režimu nastavený do polohy AUTO, lze vysavač také spustit stiskem tlačítka napájení. Při používání funkce bezdrátové aktivace však tlačítko napájení nebude fungovat.

Instalace bezdrátové jednotky

VAROVÁNÍ: Kryt otevírejte jen při první instalaci bezdrátové jednotky. Po její instalaci kryt nikdy neotevírejte.

UPOZORNĚNÍ: Při instalaci bezdrátové jednotky umístěte vysavač na plochý a stabilní povrch.

POZOR: Před instalací bezdrátové jednotky očistěte vysavač od prachu a nečistot. Pokud se prach a nečistoty dostanou do slotu bezdrátové jednotky, mohou způsobit poruchu.

POZOR: Aby se zabránilo poruchám způsobeným statickou elektřinou, dotkněte se před uchopením bezdrátové jednotky vhodného materiálu k vybití statické elektřiny, jako je například kovový předmět.

POZOR: Při instalaci bezdrátové jednotky se vždy ujistěte, že je bezdrátová jednotka vložena ve správné poloze a kryt je kompletně uzavřen.

1. Povolte šroub a otevřete kryt vysavače podle vyobrazení.

► Obr.26: 1. Kryt 2. Šroub

2. Vložte bezdrátovou jednotku do drážky.

Při vložení bezdrátové jednotky zarovnejte výčnělky s prohlubněmi na drážce.

► Obr.27: 1. Bezdrátová jednotka 2. Výčnělek 3. Kryt 4. Prohlubeň

3. Pevným utažením šroubu kryt zavřete.

Registrace nástroje pro vysavač

POZNÁMKA: Pro registraci nástroje je vyžadován nástroj Makita s podporou funkce bezdrátové aktivace.

POZNÁMKA: Před zahájením registrace nástroje dokončete instalaci bezdrátové jednotky.

POZNÁMKA: Během registrace nástroje nestlačujte spoušť na nástroji ani nezapínajte vypínač vysavače.

POZNÁMKA: Viz také návod k obsluze nástroje.

Pokud chcete aktivovat vysavač při stisknutí spouště nástroje, dokončete předtím registraci nástroje.

1. Instalujte bezdrátové jednotky vysavače a náčiní.

2. Instalujte akumulátory do vysavače a nástroje.

3. Nastavte přepínač pohotovostního režimu na vysavači do polohy AUTO.

► Obr.28: 1. Přepínač pohotovostního režimu

4. Stiskněte tlačítko aktivace bezdrátové funkce na vysavači po dobu 3 sekund, dokud se indikátor bezdrátové aktivace nerozsvítí zeleně. Potom stejně postupujte u tlačítka bezdrátové aktivace na nástroji.

► Obr.29: 1. Tlačítko bezdrátové aktivace 2. Indikátor bezdrátové aktivace

Po úspěšném propojení vysavače a nástroje se na 2 sekundy zeleně rozsvítí indikátory bezdrátové aktivace a pak začnou modře blikat.

POZNÁMKA: Indikátory bezdrátové aktivace přestanou zeleně blikat po uplynutí 20 sekund. Stiskněte tlačítko bezdrátové aktivace na nástroji, dokud indikátor bezdrátové aktivace na vysavači bliká. Pokud indikátor bezdrátové aktivace neblíká zeleně, krátce stiskněte tlačítko bezdrátové aktivace a znovu ho přidržte stisknuté.

POZNÁMKA: Když provádíte dvě a více registrací nástroje pro vysavač, proveďte registraci nástroje jednotlivě.

Spuštění funkce bezdrátové aktivace

POZNÁMKA: Dokončete registraci nástroje pro vysavač za účelem bezdrátové aktivace.

POZNÁMKA: Vypínač vždy umísťte tak, aby bylo možné sledovat indikátor bezdrátové aktivace.

POZNÁMKA: Viz také návod k obsluze nástroje.

Po registraci nástroje k vysavači se vysavač automaticky spustí při sepnutí spouště nástroje.

1. Instalujte bezdrátové jednotky vysavače a náčiní.
2. Instalujte akumulátory do vysavače a nástroje.
3. Propojte hadici vysavače s nástrojem.

► **Obr.30**

4. Nastavte přepínač pohotovostního režimu na vysavači do polohy AUTO.

► **Obr.31:** 1. Přepínač pohotovostního režimu

5. Krátce stiskněte tlačítko bezdrátové aktivace na nástroji. Indikátor bezdrátové aktivace bude blikat modře.

► **Obr.32:** 1. Tlačítko bezdrátové aktivace 2. Indikátor bezdrátové aktivace

6. Zapněte nářadí. Zkontrolujte, zda je vysavač za provozu nářadí spuštěný.

⚠ UPOZORNĚNÍ: Před prováděním jakékoli práce s náčiním vždy nejprve zkontrolujte správnou funkci bezdrátové aktivace.

Pokud chcete zastavit bezdrátovou aktivaci, stiskněte tlačítko bezdrátové aktivace nástroje nebo nastavte přepínač pohotovostního režimu na vysavači do polohy „I“ (zapnuto) nebo „O“ (vypnuto).

POZNÁMKA: Indikátor bezdrátové aktivace na nástroji přestane blikat modře po 2 hodinách nečinnosti nástroje. V takovém případě nastavte přepínač pohotovostního režimu na vysavači do polohy AUTO a znovu stiskněte tlačítko pro aktivaci na nástroji.

POZNÁMKA: Vysavač se spustí/zastaví se zpožděním. Je tu určitá časová prodleva, než vysavač detekuje stisknutí spouště nástroje.

POZNÁMKA: Přenosová vzdálenost bezdrátové jednotky se může lišit v závislosti na umístění a podmínkách prostředí.

POZNÁMKA: Když je k jednomu vysavači registrováno více nářadí, může se vysavač spustit, i když nezapnete nářadí, a to protože jiný uživatel používá funkci bezdrátové aktivace.

Rušení registrace nástroje pro vysavač

Při rušení registrace nástroje pro vysavač postupujte takto.

1. Instalujte bezdrátové jednotky vysavače a náčiní.
2. Instalujte akumulátory do vysavače a nástroje.

3. Nastavte přepínač pohotovostního režimu na vysavači do polohy AUTO.

► **Obr.33:** 1. Přepínač pohotovostního režimu

4. Stiskněte tlačítko bezdrátové aktivace na vysavači na dobu 6 sekund. Indikátor bezdrátové aktivace bliká zeleně a pak svítí červeně. Potom stejným způsobem stiskněte tlačítko bezdrátové aktivace na nástroji.

► **Obr.34:** 1. Tlačítko bezdrátové aktivace 2. Indikátor bezdrátové aktivace

Po úspěšném zrušení se na 2 sekundy červeně rozsvítí indikátory bezdrátové aktivace a pak začnou modře blikat.

POZNÁMKA: Indikátory bezdrátové aktivace přestanou červeně blikat po uplynutí 20 sekund. Stiskněte tlačítko bezdrátové aktivace na nástroji, dokud indikátor bezdrátové aktivace na vysavači bliká. Pokud indikátor bezdrátové aktivace neblíká červeně, krátce stiskněte tlačítko bezdrátové aktivace a znovu ho přidržte stisknuté.

Vymazání všech registrovaných nástrojů

Všechny registrované nástroje můžete z vysavače vymazat podle následujícího postupu.

- **Obr.35:** 1. Přepínač pohotovostního režimu 2. Tlačítko bezdrátové aktivace 3. Indikátor bezdrátové aktivace















1. Instalujte bezdrátovou jednotku do vysavače.
2. Instalujte akumulátory do vysavače.
3. Nastavte přepínač pohotovostního režimu do polohy AUTO.
4. Držte tlačítko aktivace bezdrátové funkce stlačené přibližně po dobu 6 sekund, dokud nezačne červeně blikat indikátor bezdrátové aktivace (přibližně dvakrát za sekundu).
5. Když začne indikátor bezdrátové aktivace červeně blikat, uvolněte tlačítko bezdrátové aktivace. Poté tlačítko bezdrátové aktivace znovu přidržte stisknuté přibližně po dobu 6 sekund.
6. Když začne indikátor bezdrátové aktivace rychle červeně blikat (přibližně pětkrát za sekundu), uvolněte tlačítko bezdrátové aktivace. Když se indikátor bezdrátové aktivace červeně rozsvítí a poté zhasne, jsou všechny registrované nástroje smazané.

POZNÁMKA: Pokud indikátor bezdrátové aktivace neblíká červeně, krátce stiskněte tlačítko bezdrátové aktivace a zkuste to znovu.

Popis stavu indikátoru bezdrátové aktivity

► **Obr.36:** 1. Tlačítko bezdrátové aktivity 2. Indikátor bezdrátové aktivity

Indikátor bezdrátové aktivity zobrazuje stav funkce bezdrátové aktivity. Vysvětlení stavu indikátorů najdete v následující tabulce.

Stav	Indikátor bezdrátové aktivity				Popis
	Barva	 Svítí	 Bliká	Doba trvání (přibližně)	
Pohotovostní režim	Modrá			Vysavač: pokračování Nástroj: 2 hodiny	Čekání na registraci nástroje, případně je k dispozici funkce bezdrátové aktivity. Indikátor na vysavači bliká, když je přepínač pohotovostního režimu nastavený do polohy AUTO. Indikátor na nástroji bliká po stisknutí tlačítka bezdrátové aktivity. Indikátor na nástroji automaticky zhasne po 2 hodinách nečinnosti.
				Při spuštěném nástroji.	Bezdrátová aktivity vysavače je dostupná a nástroj je spuštěn.
Registrace nástroje	Zelená			20 sekund	Připraveno k registraci nástroje. Vyhledávání nástroje, který má být registrován.
				2 sekundy	Registrace nástroje byla dokončena. Indikátor bezdrátové aktivity začne blikat modře.
Rušení/mazání registrace nástroje	Červená			20 sekund (pomale: dvakrát za sekundu)	Připraveno zrušení registrace nástroje. Vyhledávání nástroje, jehož registrace má být zrušena.
				Po stisknutí tlačítka bezdrátové aktivity.	Připraveno na vymazání všech registrovaných nástrojů.
				2 sekundy	Registrace nástroje byla zrušena/vymazána. Indikátor bezdrátové aktivity začne blikat modře.
Jiné	Červená			3 sekundy	Bezdrátová jednotka je napájena a funkce bezdrátové aktivity se spouští.
	Nesvítí	-		-	Přepínač pohotovostního režimu není nastaven do polohy AUTO.

Odstraňování problémů funkce bezdrátové aktivace

Před žádostí o opravu proveďte nejprve prohlídku sami. Narazíte-li na problém, jenž v této příručce není vysvětlen, nepouštějte se do demontáže zařízení. Požádejte o pomoc některé z autorizovaných servisních středisek Makita, kde k opravám vždy používají náhradní díly Makita.

Problém	Pravděpodobná příčina (porucha)	Náprava
Indikátor bezdrátové aktivace nesvítí/nebliká.	Na vysavači nebo na náčíní není instalována bezdrátová jednotka. Bezdrátová jednotka je na vysavači nebo náčíní instalována nesprávně.	Proveďte správnou instalaci bezdrátové jednotky.
	Tlačítko bezdrátové aktivace na nástroji nebylo stlačeno.	Krátce stiskněte tlačítko bezdrátové aktivace na nástroji.
	Přepínač pohotovostního režimu vysavače není nastaven do polohy AUTO.	Nastavte přepínač pohotovostního režimu na vysavači do polohy AUTO.
	Chybí zdroj napájení	Připojte napájení k nástroji a vysavači.
Nelze dokončit registraci nástroje / zrušit registraci nástroje.	Bezdrátová jednotka není instalována do vysavače nebo do náčíní. Bezdrátová jednotka je do vysavače nebo do náčíní instalována nesprávně.	Proveďte správnou instalaci bezdrátové jednotky.
	Přepínač pohotovostního režimu vysavače není nastaven do polohy AUTO.	Nastavte přepínač pohotovostního režimu na vysavači do polohy AUTO.
	Chybí zdroj napájení	Připojte napájení k nástroji a vysavači.
	Nesprávná operace	Krátce stiskněte tlačítko bezdrátové aktivace a opakujte postupy registrace/zrušení.
	Nástroj a vysavač jsou daleko od sebe (mimo dosah vysílání).	Přesuňte nástroj a vysavač blíž k sobě. Maximální přenosová vzdálenost je přibližně 10 m. To se ale může lišit v závislosti na podmínkách.
	Před dokončením či zrušením registrace nářadí; - spínač nářadí je zapnutý nebo; - tlačítko napájení na vysavači je zapnuto.	Krátce stiskněte tlačítko bezdrátové aktivace a opakujte postupy registrace/zrušení.
	Registrace nástroje pro vysavač nebo nástroj nebyly dokončeny.	Proveďte registraci nástroje a vysavače se stejným načasováním.
	Rušení bezdrátového přenosu ze strany jiných zařízení, která generují silné rádiové vlny.	Nástroj a vysavač je potřeba uchovávat dál od zařízení, jako jsou zařízení Wi-Fi a mikrovlnné trouby.
Vysavač se nespustí při stisknutí spouště nástroje.	Na vysavači nebo na náčíní není instalována bezdrátová jednotka. Bezdrátová jednotka je na vysavači nebo náčíní instalována nesprávně.	Proveďte správnou instalaci bezdrátové jednotky.
	Tlačítko bezdrátové aktivace na nástroji nebylo stlačeno.	Krátce stiskněte tlačítko pro bezdrátovou aktivaci a ujistěte se, že indikátor bezdrátové aktivace bliká modře.
	Přepínač pohotovostního režimu vysavače není nastaven do polohy AUTO.	Nastavte přepínač pohotovostního režimu na vysavači do polohy AUTO.
	K vysavači je registrováno více než 10 nástrojů.	Opakujte registraci nástroje. Pokud je k vysavači registrováno více než 10 nástrojů, dojde k automatickému zrušení nejstarší registrace.
	Vysavač vymazal všechny registrace nástrojů.	Opakujte registraci nástroje.
	Chybí zdroj napájení	Připojte napájení k nástroji a vysavači.
	Nástroj a vysavač jsou daleko od sebe (mimo dosah vysílání).	Přesuňte nástroj a vysavač blíž k sobě. Maximální přenosová vzdálenost je přibližně 10 m. To se ale může lišit v závislosti na podmínkách.
	Rušení bezdrátového přenosu ze strany jiných zařízení, která generují silné rádiové vlny.	Nástroj a vysavač je potřeba uchovávat dál od zařízení, jako jsou zařízení Wi-Fi a mikrovlnné trouby.
Vysavač je spuštěný, zatímco nářadí není v provozu.	Jiní uživatelé bezdrátové aktivují vysavač pomocí svých nástrojů.	Vypněte tlačítko bezdrátové aktivace u ostatních nástrojů nebo zrušte registraci ostatních nástrojů.

Problém	Pravděpodobná příčina (porucha)	Náprava
Není možné vymazat všechny nástroje registrované vysavačem.	Stisknutí tlačítka bezdrátové aktivační na nástroji.	Stisknutím tlačítka bezdrátové aktivační na vysavači vymažete všechny registrace nástrojů.
	Přepínač pohotovostního režimu vysavače není nastaven do polohy AUTO.	Nastavte přepínač pohotovostního režimu na vysavači do polohy AUTO.
	Tlačítko bezdrátové aktivační nebylo správně stlačeno.	Stiskněte tlačítko bezdrátové aktivační na více než 6 sekund a když začne indikátor bezdrátové aktivační červeně blikat, uvolněte jej. Znovu stiskněte tlačítko bezdrátové aktivační na více než 6 sekund a když začne indikátor bezdrátové aktivační rychle červeně blikat, uvolněte jej.

ÚDRŽBA

VAROVÁNÍ: Při provádění údržby vždy používejte respirátor P2.

UPOZORNĚNÍ: Před zahájením kontroly nebo údržby zařízení se vždy ujistěte, zda je vypnuté a jsou vyjmuté akumulátory.

UPOZORNĚNÍ: Poučená osoba musí alespoň jednou ročně provádět technickou prohlídku včetně kontroly filtrů, vzduchotěsnosti a ovládacího mechanismu.

UPOZORNĚNÍ: Během údržby je nutné zlikvidovat všechny znečištěné položky, které nelze uspokojivě vyčistit. Takové položky musí být zlikvidovány v nepropustných pytlích, které jsou v souladu s předpisy vaší země.

UPOZORNĚNÍ: Po práci v nebezpečném prostoru musí být vnější část nářadí dekontaminována vysátím a před odnesením nářadí z nebezpečného prostoru vytřena nebo ošetřena tmelem. Všechny části nářadí musí být po odstranění z nebezpečné oblasti považovány za kontaminované a musí být přijata vhodná opatření, aby se zabránilo rozptýlení prachu.

UPOZORNĚNÍ: Vyměňte filtry, když jsou filtry zanesené prachem nebo máte pocit, že výkon vysavače klesá.

UPOZORNĚNÍ: Pravidelně filtry kontrolujte. Pokud jsou filtry roztržené, okamžitě je vyměňte.

POZOR: Nikdy nepoužívejte benzín, benzen, ředidlo, alkohol či podobné prostředky. Mohlo by tak dojít ke změnám barvy, deformacím či vzniku prasklin.

K zachování BEZPEČNOSTI a SPOLEHLIVOSTI výrobku musí být opravy a veškerá další údržba či seřizování prováděny autorizovanými nebo továrními servisními středisky společnosti Makita s využitím náhradních dílů Makita.

Demontáž filtrační jednotky

UPOZORNĚNÍ: Počkejte asi 5 minut, aby se prach v nádobě úplně usadil.

UPOZORNĚNÍ: Při demontáži filtrační jednotky dávejte pozor, aby se prach nedostal dovnitř krytu nádoby.

Filtrační jednotka je připevněna na hlavové jednotce. Skládá se z horní desky, vstupních filtrů, tlumičů a prachových filtrů.

1. Uvolněte háčky zámku a zvedněte hlavovou jednotku z nádoby.
2. Demontujte filtrační jednotku z hlavové jednotky dle obrázku.

► **Obr.37:** 1. Zápka 2. Filtrační jednotka

Demontáž prachového a vstupního filtru

Zvedněte knoflík a demontujte filtry z horní desky.

► **Obr.38:** 1. Horní deska 2. Filtry 3. Knoflík

Abyste zabránili vznášení prachu ve vzduchu, je lepší demontovat filtry v polyetylenovém sáčku.

Při přenášení filtrační jednotky za účelem čištění pevně zavažte polyetylenový sáček.

► **Obr.39:** 1. Filtrační jednotka 2. Polyetylenový sáček

► **Obr.40:** 1. Horní deska 2. Filtry 3. Polyetylenový sáček

Čištění prachového filtru, vstupního filtru a tlumiče

Filtry a tlumiče čas od času vyčistěte. Zanesené filtry a tlumiče mohou mít za následek nízký sací výkon.

Pravidelně čistěte nahromaděný prach z filtrů a tlumiče. Prachový filtr, vstupní filtr a tlumič příležitostně vyperte ve vodě, opláchněte a před použitím je nechte ve stínu řádně vyschnout. Nikdy je neperte v praxi.

► **Obr.41**

POZNÁMKA: Dejte pozor, abyste prachový filtr, vstupní filtr a tlumič neodfeli nebo nepoškrábali tvrdými předměty, například smetáčkem a lopatkou.

POZNÁMKA: Filtry se postupně opotřebovávají. Je dobré jich mít k dispozici několik.

Montáž prachového a vstupního filtru

POZOR: Prachový a vstupní filtr mohou sbírat jak suchý, tak mokrý prach. Ujistěte se, že se snímače hladiny vody správně aktivují, aby nedošlo k roztržení prachového filtru.

Zahákněte hrany filtrační jednotky na horní desku a pak stlačte knoflík dolů.

► **Obr.42:** 1. Hrana 2. Knoflík

POZOR: Před použitím prachového filtru se ujistěte, zda je vždy zároveň použit i vstupní filtr s tlumičem. Není dovoleno nainstalovat pouze prachový filtr.

Sestavení filtrů

Když dostanete filtry odděleně, sestavte je dle obrázku.

► **Obr.43:** 1. Prachový filtr 2. Tlumič 3. Vstupní filtr

Montáž filtrační jednotky

Po montáži filtrů na horní desku zahákněte otvory filtrační jednotky na části ve tvaru U vnitřního krytu. Pak zajistěte západku dle obrázku.

► **Obr.44:** 1. Část ve tvaru U 2. Otvor 3. Západka

Montáž vodního filtru

Volitelné příslušenství

POZOR: Při vysávání vlhkého prachu se ujistěte, že se správně aktivují snímače hladiny vody.

POZOR: Při používání vodního filtru nepoužívejte vstupní filtr a tlumič.

Vysáváte-li výhradně vodu či vlhký prach, vodní filtr je vhodnější než prachový a vstupní filtr.

Při montáži vodního filtru namontujte vodní filtr na horní desku stejně jako prachový a vstupní filtr.

► **Obr.45**

POZNÁMKA: Při opakovaném vysávání většího množství vody se doporučuje použít vodní filtr. V případě použití prachového a vstupního filtru může být sací výkon omezen.

Čištění snímačů hladiny vody

Snímače hladiny vody detekují kapalinu, když se nádoba naplní kapalinou. Snímače hladiny vody čistěte příležitostně měkkým hadříkem při výměně filtrů.

► **Obr.46:** 1. Snímač hladiny vody

Uložení příslušenství

Nepoužívané příslušenství a nástavce, jako jsou např. hubice, trubky a víčko, lze zavěsit a uložit na háčku v zadní části vysavače.

► **Obr.47:** 1. Nepoužívané příslušenství a nástavec 2. Víčko

Trubice (s instalovanou volitelnou zářádkou) lze uložit do držáku trubic rovněž při chvilkovém přerušení práce s vysavačem.

► **Obr.48:** 1. Zářádka (volitelné příslušenství) 2. Držák trubice

Hadici lze zabalit a uložit kolem pláště nebo držadla vysavače ve velkých smyčkách. Připojte oba konce k sobě, a vytvořte tak smyčky, zavěste smyčky na zvednuté držadlo. Alternativně nechte její spodní stranu nainstalovanou ve vstupu hadice a zavěste smyčky na vícenásobný háček s uvázaným volným koncem.

► **Obr.49**

► **Obr.50**

VOLITELNÉ PŘÍSLUŠENSTVÍ

⚠️ UPOZORNĚNÍ: Pro nářadí Makita popsané v tomto návodu doporučujeme používat následující příslušenství a nástavce. Při použití jiného příslušenství či nástavců může hrozit nebezpečí zranění osob. Příslušenství lze používat pouze pro stanovené účely.

Potřebujete-li bližší informace ohledně tohoto příslušenství, obraťte se na místní servisní středisko společnosti Makita.

- Hadice
- Přední manžety (22, 24, 38)
- Přímá trubice
- Rohová hubice
- Hubice s kulatým kartáčem
- Prachový filtr M, H (HEPA)
- Tlumič
- Vstupní filtr
- Vodní filtr
- Sestava hubice
- Zakřivená trubice
- Polyetylénový sáček
- Filtrační vak
- Víčko
- Originální akumulátor a nabíječka Makita
- Bezdrátová jednotka
- MAKPAC

POZNÁMKA: Některé položky seznamu mohou být k nářadí přibaleny jako standardní příslušenství. Přibalené příslušenství se může v různých zemích lišit.

ПОПЕРЕДЖЕННЯ

- Цей пристрій не призначений для використання дітьми й особами з обмеженими фізичними, сенсорними або розумовими можливостями, а також особами, яким не вистачає відповідних знань і досвіду.
- Не допускайте, щоб діти гралися з пілососом.
- Тип акумулятора див. у розділі «ТЕХНІЧНІ ХАРАКТЕРИСТИКИ».
- Інструкції щодо встановлення та зняття акумулятора див. у розділі «Встановлення та зняття касети з акумулятором».
- Для утилізації касети з акумулятором витягніть її з інструмента та утилізуйте безпечним способом. Дотримуйтеся норм місцевого законодавства щодо утилізації акумуляторів.
- Якщо інструментом не користуватимуться протягом тривалого періоду часу, вийміть акумулятор з інструмента.
- Не закоротіть касету з акумулятором.
- Відомості про заходи безпеки під час обслуговування виробу користувачем див. у розділі «ТЕХНІЧНЕ ОБСЛУГОВУВАННЯ».

ТЕХНІЧНІ ХАРАКТЕРИСТИКИ

Модель:		VC006GM
Максимальна витрата повітря на кінці шлангу	Зі шлангом BL4050F, ø28 мм × 3,5 м	2,0 м ³ /хв
	Зі шлангом BL4050F, ø38 мм × 2,5 м	3,7 м ³ /хв
Максимальна витрата повітря в турбіні (з BL4050F)		4,9 м ³ /хв
Вакуум (з BL4050F)		18 кПа
Відновлювана місткість	Пил	40 л
	Вода	30 л
Розміри (Д × Ш × В)		586 мм × 385 мм × 598 мм
Номінальна напруга		72 В – макс. 80 В пост. струму.
Маса нетто		18,4 – 20,8 кг
Ступінь захисту		IPX4

- Оскільки наша програма наукових досліджень і розробок триває безперервно, наведені тут технічні характеристики можуть бути змінені без попередження.
- У різних країнах технічні характеристики можуть бути різними.
- Вагу вказано без урахування ваги додаткового приладдя, окрім касет з акумулятором. Найменші й найбільші значення сукупної ваги пристрою та касет з акумулятором наведено в таблиці.

Застосовна касета з акумулятором і зарядний пристрій

Касета з акумулятором	BL4020 / BL4025 / BL4040* / BL4050F* / BL4080F* *: рекомендований акумулятор
Зарядний пристрій	DC40RA / DC40RB / DC40RC

- Деякі касети з акумулятором і зарядні пристрої, які вказано вище, можуть бути недоступними залежно від вашого регіону або місця перебування.

⚠ ПОПЕРЕДЖЕННЯ: Використовуйте лише касети з акумулятором і зарядні пристрої, зазначені вище. Використання будь-яких інших касет з акумулятором і зарядних пристроїв може призвести до травмування й/або пожежі.

СИМВОЛИ

Далі наведено символи, які можуть застосовуватися для позначення обладнання. Перед користуванням переконайтеся, що ви розумієте їхнє значення.



Читайте посібник з експлуатації.



Будьте особливо уважні та обережні!



Попередження! Пілосос може містити небезпечний пил.



Ніколи не ставайте на пілосос.



Ніколи не кладіть на пілосос нічого важчого за 20 кг (44 фунти).



Клас пилу M (середній): для відділення пилу з граничним значенням професійного впливу не менше 0,1 мг/м³. Пілососи здатні збирати пил класу L і M. Дотримуйтеся чинних у вашій країні вказівок відносно належних заходів безпеки та гігієни праці під час збирання пилу.



Тільки для країн ЄС
Через наявність в обладнанні небезпечних компонентів відходи електричного та електронного обладнання, акумулятори та батареї можуть негативно впливати на навколишнє середовище та здоров'я людини.

Не викидайте електричні та електронні прилади або батареї разом з побутовими відходами!

Відповідно до директиви ЄС стосовно відходів електричного та електронного обладнання, акумуляторів, батарей та відходів акумуляторів і батарей, а також відповідно до її адаптації до національного законодавства, відходи електричного обладнання, батареї та акумулятори слід зберігати окремо й доставляти на пункт роздільного збору комунальних відходів, який працює з дотриманням правил охорони навколишнього середовища.

Це позначено символом у вигляді перекресленого сміттевого контейнера з колесами, нанесеним на обладнання.

Призначення

Прилад призначено для збирання як вологого, так і сухого пилу. Цей прилад придатний для комерційного застосування, наприклад у готелях, школах, лікарнях, на заводах, в офісах, у магазинах і в прокатному бізнесі.

Шум

Рівень шуму за шкалою А в типовому виконанні, визначений відповідно до стандарту EN60335-2-69: Рівень звукового тиску (L_{pA}): 70 дБ (А) чи менше Похибка (К): 2,5 дБ (А)

Рівень шуму під час роботи може перевищувати 80 дБ (А).

ПРИМІТКА: Заявлене значення шуму було виміряно відповідно до стандартних методів тестування й може використовуватися для порівняння одного інструмента з іншим.

ПРИМІТКА: Заявлене значення шуму може також використовуватися для попереднього оцінювання впливу.

ПОПЕРЕДЖЕННЯ: Користуйтеся засобами захисту органів слуху.

ПОПЕРЕДЖЕННЯ: Залежно від умов використання рівень шуму під час фактичної роботи електроінструмента може відрізнитися від заявленого значення вібрації; особливо сильно на це впливає тип деталі, що оброблюється.

ПОПЕРЕДЖЕННЯ: Забезпечте належні запобіжні заходи для захисту оператора, що відповідатимуть умовам використання інструмента (слід брати до уваги всі складові робочого циклу, як-от час, коли інструмент вимкнено та коли він починає працювати на холостому ході під час запуску).

Вібрація

Загальна величина вібрації (векторна сума трьох напрямків) визначена згідно з EN60335-2-69: Вібрація ($a_{h,M}$): 2,5 м/с² або менше Похибка (К): 1,5 м/с²

ПРИМІТКА: Заявлене загальне значення вібрації було виміряно відповідно до стандартних методів тестування й може використовуватися для порівняння одного інструмента з іншим.

ПРИМІТКА: Заявлене загальне значення вібрації може також використовуватися для попереднього оцінювання впливу.

ПОПЕРЕДЖЕННЯ: Залежно від умов використання вібрація під час фактичної роботи електроінструмента може відрізнитися від заявленого значення вібрації; особливо сильно на це впливає тип деталі, що оброблюється.

ПОПЕРЕДЖЕННЯ: Забезпечте належні запобіжні заходи для захисту оператора, що відповідатимуть умовам використання інструмента (слід брати до уваги всі складові робочого циклу, як-от час, коли інструмент вимкнено та коли він починає працювати на холостому ході під час запуску).

Декларація про відповідність стандартам ЄС

Тільки для країн Європи

Декларацію про відповідність стандартам ЄС наведено в Додатку А до цієї інструкції з експлуатації.

ПОПЕРЕДЖЕННЯ ПРО ДОТРИМАННЯ ТЕХНІКИ БЕЗПЕКИ

Попередження про необхідну обережність під час роботи з акумуляторним пирососом

▲ ПОПЕРЕДЖЕННЯ: ВАЖЛИВО!
ПРОЧИТАЙТЕ УВАЖНО всі попередження про необхідну обережність під час роботи та всі інструкції ПЕРЕД ВИКОРИСТАННЯМ.
Недотримання попереджень та інструкцій може призвести до ураження електричним струмом, до виникнення пожежі та/або до отримання серйозних травм.

1. Перед початком експлуатації переконайтеся в тому, що користувача належним чином проінструктовано стосовно роботи із цим пирососом.
2. Перед початком експлуатації оператори мають ознайомитися з інформацією, інструкціями та пройти підготовку з експлуатації машини й використання речовин, для роботи з якими призначена ця машина, включаючи безпечний спосіб збору й видалення зібраного матеріалу.
3. У разі витікання піни або рідини з пирососа негайно його вимкніть.
4. Регулярно чистьте обмежувач рівня води й перевіряйте його на ознаки пошкоджень.
5. Перед використанням обов'язково переконайтеся, що фільтри встановлено належним чином. Не користуйтеся пирососом без правильно встановлених фільтрів. Пошкоджений фільтр підлягає негайній заміні. Рекомендовано мати кілька запасних фільтрів, оскільки фільтри належать до витратних матеріалів.
6. УНИКАЙТЕ ВИПАДКОВОГО ВВИМКНЕННЯ. Переконайтеся, що перемикач пирососа знаходиться у вимкненому положенні, коли встановлюєте акумулятор(и).
7. Не намагайтеся збирати легкозаймисті матеріали, петарди, запалені сигарети, гарячий попіл, гарячу металеву стружку, гострі речі, як-от леза, голки, розбите скло тощо.
8. **НИКОЛИ НЕ ВИКОРИСТОВУЙТЕ ПИРОСОС ПОРЯД ІЗ БЕНЗИНОМ, ГАЗОМ, ФАРБОЮ, КЛЕЄМ АБО ІНШИМИ ВИБУХОВИМИ РЕЧОВИНАМИ.** Перемикач випускає іскри під час вмикання або вимкнення. Колектор двигуна також іскрить під час роботи. Існує небезпека вибуху.
9. Ніколи не збирайте пирососом токсичні, канцерогенні, легкозаймисті або інші небезпечні речовини, такі як азбест, миш'як, барій, берилій, свинець, пестициди або інші шкідливі для здоров'я речовини.
10. Завжди розміщуйте пиросос на горизонтальній рівній поверхні для запобігання його падінню або випадковому переміщенню.
11. Ніколи не використовуйте пиросос просто неба під дощем.
12. Для Фінляндії: пристрій не слід використовувати поза приміщенням при низькій температурі.
13. Заборонено використовувати пристрій поблизу джерел тепла (плит тощо).
14. Якщо повітря, що виходить із пристроєм, повертається в приміщення, необхідно забезпечити в приміщенні достатній повітрообмін. Необхідно дотримуватися державних норм.
15. Не блокуйте отвір усмокування, вихідні отвори або вентиляційні отвори. Завдяки цим отворах відбувається охолодження двигуна. Слід уникати блокування цих отворів, інакше двигун займеться через нестачу вентиляції.
16. Завжди твердо стійте на ногах і тримайте рівновагу.
17. Не згинайте, не смикайте й не ставайте на шланг.
18. Негайно зупиняйте роботу пирососа, якщо ви помітили, що він працює неналежним чином, або помітили щось незвичне.
19. **ВИТАГНІТЬ АКУМУЛЯТОР(И).** Коли пристрій не використовується, перед технічним обслуговуванням та під час заміни приладдя.
20. Чистьте й обслуговуйте пиросос одразу після кожного використання, щоб тримати його у відмінному робочому стані.
21. **ТРИМАЙТЕ ПИРОСОС У НАЛЕЖНОМУ СТАНІ.** Тримайте пиросос у чистоті для забезпечення кращої та безпечнішої роботи. Дотримуйтеся інструкцій із заміни приладдя. Ручки мають бути сухими, чистими й не забрудненими мастилом або жиром.
22. **ПЕРЕВІРЬТЕ ПОШКОДЖЕНІ ДЕТАЛІ.** Перш ніж продовжувати використання пирососа, слід перевірити захисний пристрій чи іншу пошкоджену деталь, щоб переконатися в тому, що вони можуть далі виконувати свої функції належним чином. Переконайтеся в співвідності, відсутності пошкоджень рухомих деталей, надійності кріплення й відсутності інших дефектів, які можуть вплинути на роботу інструмента. Ремонтувати або замінювати захисний пристрій чи інші пошкоджені деталі має авторизований сервісний центр, якщо інше не зазначено в цій інструкції. Пошкоджені перемикачі необхідно замінювати в авторизованому сервісному центрі. Не використовуйте пиросос, якщо його перемикач не працює.
23. Примітка щодо самостійного обслуговування: пристрій необхідно демонтувати, очистити й виконати його технічне обслуговування, наскільки цього можна досягнути практично, без ризику для обслуговуючого персоналу та інших осіб.
24. Виробник або підготовлений фахівець мають не рідше одного разу на рік проводити технічну перевірку машини, зокрема огляд фільтрів на відсутність пошкоджень, перевірку герметичності машини та належного функціонування механізму керування.

25. Під час виконання робіт з обслуговування або ремонту всі забруднені елементи, задовільне очищення яких неможливе, слід утилізувати. Такі елементи слід скласти в непроникні мішки відповідно до чинних положень щодо утилізації таких відходів.
26. ЗАПЧАСТИНИ. Під час обслуговування використовуйте тільки ідентичні запчастини.
27. ЗБЕРІГАННЯ ВИМКНЕНОГО ПИЛОСОСА. Коли пиросос не використовується, його слід зберігати в приміщенні.
28. Вологі фільтри й внутрішню частину ємності для рідини необхідно висушити, оскільки їх дозволяється зберігати тільки в сухому вигляді.
29. Поводьтеся з пирососом обережно. Грубе поводження може спричинити поломку навіть найміцнішого пирососа.
30. Не намагайтеся почистити пиросос ззовні або зсередини бензином, розчинником або мийними засобами. Це може спричинити появу тріщин і зміну кольору.
31. Не використовуйте пиросос у закритому приміщенні, де масляні фарби, розчинники, бензин, деякі засоби проти молі тощо можуть виділяти легкозаймисті, вибухонебезпечні або токсичні випаровування, або в місцях, де є легкозаймистий пил.
32. Не використовуйте цей або будь-який інший інструмент, коли знаходитесь під дією алкоголю або лікарських препаратів.
33. Загальним правилом безпеки є використання захисних окулярів або окулярів із бічними захисними щитками.
34. Використовуйте протипиловий респіратор під час роботи в заплиених умовах.
35. Цей пристрій не призначений для використання дітьми й особами з обмеженими фізичними, сенсорними або розумовими можливостями, а також особами, яким не вистачає відповідних знань і досвіду.
36. Не допускайте, щоб діти гралися з пирососом.
37. Ніколи не беріться за акумулятор(и) або пиросос вологими руками.
38. Будьте особливо обережні під час прибирання на сходах.
39. Не використовуйте пиросос як стілець або вестат. В іншому випадку це може призвести до отримання травм унаслідок падіння пристрою.

Використання та обслуговування акумуляторних інструментів

1. Перезаряджайте акумулятор лише за допомогою зарядного пристрою, вказаного виробником. Зарядний пристрій, який підходить для одного типу акумуляторів, може призвести до пожежі при використанні з акумулятором іншого типу.
2. Використовуйте електрострумент лише з акумуляторами того типу, який призначений саме для цих електрострументів. Використання акумуляторів інших типів може призвести до отримання травм і виникнення пожежі.

3. Коли акумулятор не використовується, тримайте його подалі від таких металевих предметів, як скріпки, монети, ключі, цвяхи, шурупи тощо, які можуть закортити клемми акумулятора. Замикання клем акумулятора може призвести до отримання опіків або пожежі.
4. За неналежних умов зберігання з акумулятора може витекти рідина, контакту з якою слід уникати. У разі випадкового потраплення рідини на тіло відповідну частину тіла слід промити водою. Якщо рідина потрапила в очі, їх слід промити водою, після чого необхідно звернутися до лікаря. Рідина, що витікає з акумулятора, може спричинити подразнення або опіки.
5. Не користуйтеся акумулятором або інструментом, які було змінено чи пошкоджено. Експлуатація акумуляторів, що їх було пошкоджено або до конструкції яких було внесено зміни, може бути небезпечною й може спричинити пожежу, вибух або травму.
6. Не піддавайте акумулятор або інструмент впливу вогню чи надмірної температури. Вплив вогню або температури вище 130° C може спричинити вибух.
7. Дотримуйтеся усіх вказівок із заряджання й не заряджайте акумулятор або інструмент за температури за межами зазначеного в інструкції діапазону. Неправильне заряджання або заряджання за межами вказаного температурного діапазону може призвести до пошкодження акумулятора й підвищити небезпеку займання.

ЗБЕРІГАЙТЕ ЦІ ВКАЗІВКИ.

▲ ПОПЕРЕДЖЕННЯ: НІКОЛИ НЕ втрачайте пильності та не розслабляйтеся під час користування виробом (що можливо при частому користуванні); обов'язково строго дотримуйтеся відповідних правил безпеки. **НЕНАЛЕЖНЕ ВИКОРИСТАННЯ** або недотримання правил техніки безпеки, викладених у цій інструкції з експлуатації, може призвести до серйозних травм.

Важливі інструкції з безпеки для касети з акумулятором

1. Перед тим як користуватися касетою з акумулятором, слід прочитати всі інструкції та застережні знаки щодо (1) зарядного пристрою акумулятора, (2) акумулятора та (3) виробів, що працюють від акумулятора.
2. Не розбирайте касету з акумулятором і не змінюйте її конструкцію. Це може призвести до пожежі, перегріву або вибуху.
3. Якщо період роботи дуже покоротшав, слід негайно припинити користування. Це може призвести до виникнення ризику перегріву, опіку та навіть вибуху.
4. У разі потраплення електроліту в очі слід промити їх чистою водою та негайно звернутися до лікаря. Це може призвести до втрати зору.

5. Не закоротіть касету з акумулятором.
 - (1) Не слід торкатися клем будь яким струмопровідним матеріалом.
 - (2) Не слід зберігати касету з акумулятором у ємності з іншими металевими предметами, такими як цвяхи, монети тощо.
 - (3) Не залишайте касету з акумулятором під дощем, запобігайте контакту з водою.

Коротке замикання може призвести до появи значного струму, перегріву, можливих опіків та навіть виходу з ладу.

6. Не слід зберігати й використовувати інструмент і касету з акумулятором у місцях, де температура може сягнути чи перевищити 50 °C (122 °F).
7. Не слід спалювати касету з акумулятором, навіть якщо вона була неодноразово пошкоджена або повністю спрацьована. Касета з акумулятором може вибухнути у вогні.
8. Заборонено забувати цвяхи в касету з акумулятором, різати, ламати, кидати, впускати касету з акумулятором або вдаряти її твердим предметом. Це може призвести до пожежі, перегріву або вибуху.
9. Не слід використовувати пошкоджений акумулятор.
10. Літій-іонні акумулятори, що містяться в інструменті, мають відповідати вимогам законів про небезпечні товари. Під час транспортування за допомогою комерційних перевезень, наприклад із залученням третьої сторони та експедиторів, необхідно дотримуватись особливих вимог, вказаних на пакуванні й у маркуванні. Під час підготування позиції до відправлення необхідно проконсультуватись зі спеціалістом з небезпечних матеріалів. Крім того, слід виконувати більш докладні національні настанови, якщо такі є. Заклейте відкриті контакти стрічкою або заховайте їх і запакуйте акумулятор таким чином, щоб він не міг рухатися в пакуванні.
11. Для утилізації касети з акумулятором витягніть її з інструмента та утилізуйте безпечним способом. Дотримуйтеся норм місцевого законодавства щодо утилізації акумуляторів.
12. Використовуйте акумулятори лише з виробами, указаними компанією Makita. Установлення акумуляторів у невідповідні виробу може призвести до пожежі, надмірного нагрівання, вибуху чи витoku електроліту.
13. Якщо інструментом не користуватимуться протягом тривалого періоду часу, вийміть акумулятор з інструмента.
14. Під час і після використання касета з акумулятором може нагріватися, що може стати причиною опіків або низькотемпературних опіків. Будьте обережні під час поводження з гарячою касетою з акумулятором.
15. Не торкайтеся контактів інструмента відразу після використання, оскільки він може бути досить гарячим, щоб викликати опіки.

16. Не допускайте, щоб уламки, пил або земля прилипали до контактів, отворів і пазів на касеті з акумулятором. Це може призвести до перегріву, займання, вибуху та виходу з ладу інструмента або касети з акумулятором і спричинити опіки або травми.
17. Якщо інструмент не розраховано на використання поблизу високовольтних ліній електропередач, не використовуйте касету з акумулятором поблизу високовольтних ліній електропередач. Це може призвести до несправності, поломки інструмента або касети з акумулятором.
18. Тримайте акумулятор у недоступному для дітей місці.

ЗБЕРІГАЙТЕ ЦІ ВКАЗІВКИ.

⚠ОБЕРЕЖНО: Використовуйте тільки акумулятори Makita. Використання акумуляторів, інших ніж оригінальні акумулятори Makita, або акумуляторів, конструкцію яких було змінено, може призвести до вибуху акумулятора і спричинити пожежу, травму або пошкодження. У зв'язку з цим також буде анульовано гарантію Makita на інструмент Makita і на зарядний пристрій.

Поради з забезпечення максимального строку експлуатації акумулятора

1. Касету з акумулятором слід заряджати до того, як він розрядиться повністю. Завжди слід зупинити роботу інструмента та зарядити акумулятор, якщо ви помітили зменшення потужності інструмента.
2. Ніколи не слід заряджати повторно повністю заряджену касету з акумулятором. Перезарядження скорочує строк експлуатації акумулятора.
3. Заряджайте касету з акумулятором при кімнатній температурі 10°C - 40°C (50°F - 104°F). Перед тим як заряджати касету з акумулятором, слід зачекати, доки вона охолоне.
4. Коли касета з акумулятором не використовується, вийміть її з інструмента або зарядного пристрою.
5. Якщо касета з акумулятором не використовувалася тривалий час (понад шість місяців), її слід зарядити.

Важливі інструкції з безпеки для бездротового модуля

1. Після встановлення бездротового модуля ніколи не відкривайте кришку відсіку самостійно.
2. Не розбирайте бездротовий модуль і не намагайтесь втручатися в його роботу.
3. Зберігайте бездротовий модуль у недосяжному для дітей місці. При випадковому проковтуванні негайно зверніться до лікаря.
4. Використовуйте бездротовий модуль лише з інструментами Makita.

5. Не тримайте бездротовий модуль під дощем або в умовах підвищеної вологості.
6. Не використовуйте бездротовий модуль у місцях, де температура перевищує 50°C.
7. Не використовуйте бездротовий модуль неподалік від медичних приборів, таких як кардіостимулятори.
8. Не використовуйте бездротовий модуль поруч з автоматизованими пристроями. Таке використання може спричинити збої або помилки в роботі автоматизованих пристроїв.
9. Не використовуйте бездротовий модуль у місцях, де він може піддаватися впливу високої температури, статичної електрики або електричних перешкод.
10. Бездротовий модуль може генерувати електромагнітні поля (ЕМП), нешкідливі для користувача.
11. Бездротовий модуль є точним інструментом. Будьте уважні, щоб не впустити або не вдарити бездротовий модуль.
12. Не торкайтеся контактів бездротового модуля голими руками або металевими предметами.
13. Перш ніж встановлювати бездротовий модуль, обов'язково вийміть акумулятор.
14. Не відкривайте кришку відсіку в місцях, де в нього може потрапити пил або вода. Завжди тримайте вхідний отвір відсіку в чистоті.
15. Завжди вставляйте бездротовий модуль правильною стороною.
16. Не натискайте занадто сильно кнопку активації на бездротовому модулі та не робіть це гострим предметом.
17. Під час роботи завжди закривайте кришку відсіку.
18. Не виймайте бездротовий модуль із відсіку, поки на інструмент подається живлення. Це може призвести до несправності бездротового модуля.
19. Не видаляйте наклейку на бездротовому модулі.
20. Не розміщуйте будь-які наклейки на бездротовому модулі.
21. Не залишайте бездротовий модуль під впливом статичної електрики або електричних перешкод.
22. Не залишайте бездротовий модуль під впливом високої температури, наприклад на сидінні автомобіля на сонці.
23. Не залишайте бездротовий модуль у запаленому або заповненому місці або в місці, де може утворитися корозійний газ.
24. Раптова зміна температури може призвести до конденсації вологи на бездротовому модулі. Не використовуйте бездротовий модуль, поки волога не висохне повністю.
25. Під час чищення бездротового модуля обережно протирайте його сухою м'якою тканиною. Не використовуйте бензин, розчинник, електропровідне мастило тощо.
26. Зберігайте бездротовий модуль в упаковці з комплекту постачання або в контейнері, захищеному від дії статичної електрики.
27. Не вставляйте у відсік інструмента будь-які інші пристрої, крім бездротового модуля Makita.
28. Не використовуйте інструмент із пошкодженою кришкою відсіку. Потрапляння у відсік води, пилу та бруду може привести до несправності.
29. Не тягніть і не скручуйте кришку відсіку більше, ніж необхідно. Установіть кришку на місце, якщо вона від'єдналася від інструмента.
30. Замініть кришку відсіку, якщо її було загублено або пошкоджено.

ЗБЕРІГАЙТЕ ЦІ ВКАЗІВКИ.

ОПИС РОБОТИ

⚠ОБЕРЕЖНО: Перед регулюванням або перевіркою роботи приладу обов'язково переконайтеся, що прилад вимкнено, а касети з акумуляторами знято.

Встановлення та зняття касети з акумулятором

⚠ОБЕРЕЖНО: Вимикайте інструмент перед установленням або зняттям касети з акумулятором.

⚠ОБЕРЕЖНО: Під час установлення або зняття касети з акумулятором слід міцно тримати пилосос і касету з акумулятором. Якщо ви утримуватимете пилосос і касету з акумулятором недостатньо міцно, вони можуть вислизнути з рук, що може призвести до пошкодження пилососа й касети з акумулятором, а також може спричинити травми.

⚠ОБЕРЕЖНО: Не затисніть пальці, коли відкриваєте або закриваєте кришку акумулятора. Невиконання цієї вимоги може призвести до отримання травм.

Щоб установити касету з акумулятором, спершу зніміть блокування, а тоді відкрийте кришку акумуляторного відсіку. Після цього вставте касету з акумулятором.

► **Рис.1:** 1. Блокування 2. Кришка акумуляторного відсіку

Сумістіть виступ на касеті з акумулятором із пазом у корпусі й вставте касету на місце. Уставляйте її до кінця, аж доки не почуєте негучне клацання. Тоді закрийте кришку акумуляторного відсіку.

► **Рис.2:** 1. Касета з акумулятором 2. Кнопка

Щоб зняти касету з акумулятором, слід витягнути її з інструмента, натиснувши на кнопку в передній частині касети.

⚠ ОБЕРЕЖНО: Вставляйте касету з акумулятором до упору. Якщо цього не зробити, касета може випадково випасти з пирососа й завдати травми вам або людям, що перебувають поряд.

⚠ ОБЕРЕЖНО: Не встановлюйте касету з акумулятором із зусиллям. Якщо касета не вставляється легко, то це означає, що ви її неправильно вставляєте.

ПРИМІТКА: Пиросос не працює, якщо вставлено тільки одну касету з акумулятором.

Відображення залишкового заряду акумулятора

Натисніть кнопку перевірки на касеті з акумулятором для відображення залишкового ресурсу акумулятора. Індикаторні лампи загоряться на кілька секунд.

► **Рис.3:** 1. Індикаторні лампи 2. Кнопка перевірки

Індикаторні лампи			Залишковий ресурс
Горить	Вимк.	Блимає	
■	□	▣	від 75 до 100%
■ ■ ■ ■			
■ ■ ■ □			від 50 до 75%
■ ■ □ □			від 25 до 50%
■ □ □ □			від 0 до 25%
▣ □ □ □			Зарядіть акумулятор.
■ □ □ □	↑ ↓	□ □ ■ ■	Можливо, акумулятор вийшов з ладу.

ПРИМІТКА: Залежно від умов використання та температури оточуючого середовища показання можуть незначним чином відрізнятися від дійсного ресурсу.

ПРИМІТКА: Перша (дальня ліва) індикаторна лампа блимає під час роботи захисної системи акумулятора.

Індикатори акумуляторів на панелі керування

Рівень заряду акумуляторів можна перевірити в будь-який момент на панелі керування. Натисніть кнопку перевірки, і правий та лівий індикатори покажуть рівень заряду відповідних акумуляторів.

► **Рис.4:** 1. Індикатор лівого акумулятора
2. Індикатор правого акумулятора
3. Кнопка перевірки

► **Рис.5**

Стан індикатора акумулятора			Залишок заряду акумулятора
Вмк.	Вимк.	Блимає	
			Від 50 до 100%
			Від 20 до 50%
			Від 0 до 20%
			Зарядіть акумулятор
			Акумулятор не вставлено

ПРИМІТКА: Індикатор акумулятора працює, коли вставлено два акумулятора.

ПРИМІТКА: Індикатори акумуляторів також вмикаються під час увімкнення пирососа.

Система захисту приладу / акумулятора

Прилад оснащено системою захисту приладу / акумулятора. Ця система автоматично вимикає живлення двигуна з метою подовження терміну служби приладу й акумулятора. Прилад автоматично припиняє роботу в разі виникнення зазначених далі ситуацій із ним або акумулятором.

Захист від перевантаження

Якщо під час використання приладу / акумулятора споживається забагато струму, прилад автоматично зупиняється. У такому разі вимкніть прилад і припиніть роботу, що призвела до його перевантаження. Щоб перезапустити прилад, увімкніть його знову.

Захист від перегрівання

Вмк.	Блимає

У разі перегрівання прилад автоматично зупиняється, а індикатори правого й лівого акумуляторів починають блимати. У такій ситуації зачекайте, доки прилад охолоне, і почистьте фільтри, перш ніж знову його увімкнути.

Вмк.	Блимає

У разі перегрівання акумулятора прилад автоматично зупиняється, а індикатор відповідного акумулятора починає блимати. У такій ситуації зачекайте, доки акумулятор охолоне, перш ніж знову увімкнути прилад.

Захист від надмірного розрядження

Коли заряд акумулятора стає недостатнім для подальшої роботи, прилад автоматично припиняє роботу. Якщо прилад не працює після натискання вимикача, вийміть акумулятори з приладу й зарядіть їх.

Захист від інших неполадок

Система захисту також забезпечує захист від інших неполадок, які можуть призвести до пошкодження приладу, і забезпечує автоматичне зупинення приладу. У разі тимчасової зупинки або припинення роботи приладу виконайте всі зазначені нижче дії для усунення причини зупинки.

1. Вимкніть і знову ввімкніть прилад, щоб перезавантажити його.
2. Зарядіть акумулятор(и) або замініть його(їх) зарядженим(и).
3. Дайте приладу й акумулятору (акумуляторам) охолонути.

Якщо після відновлення вихідного стану системи захисту ситуація не зміниться, зверніться до місцевого сервісного центру Makita.

Дія вимикача

Увімкнення пирососа

1. Установіть перемикач режиму очікування в положення «I» (УВИМК.) або «AUTO» (УВИМК.), щоб перевести пиросос у режим очікування.
2. Натисніть кнопку живлення. Щоб повернутися в режим очікування, натисніть кнопку живлення ще раз.

Вимкнення пирососа

Виконайте одну із зазначених нижче дій.

- Натисніть кнопку живлення, щоб повернути пиросос у режим очікування.
- Установіть перемикач режиму очікування в положення «O» (ВИМК.).

Регулювання потужності всмоктування

Силу всмоктування можна регулювати залежно від ваших потреб.

- Щоб зменшити силу всмоктування, поверніть ручку регулювання сили всмоктування вліво.
- Щоб збільшити силу всмоктування, поверніть ручку регулювання сили всмоктування вправо.

Вибір діаметра шланга

Використовуючи перемикач вибору діаметра шланга, виберіть потрібний діаметр шланга.

ПРИМІТКА: Не зупиняйте перемикач у проміжках між значеннями діаметра. Завжди встановлюйте перемикач у положення відповідного діаметра шланга.

- **Рис.6:**
1. Перемикач режиму очікування
 2. Ручка регулювання сили всмоктування
 3. Перемикач вибору діаметра шланга
 4. Кнопка живлення

УВАГА: Якщо ви не користуватиметесь пирососом тривалий час, завжди встановлюйте перемикач у позицію «O». У режимі очікування пиросос споживає енергію.

Попереджувальний сигнал

Існують два типи звукового сигналу. Один – це короткі звукові сигнали, другий – безперервні звукові сигнали.

- Коли швидкість повітряного потоку опускається нижче 20 м/с, задля безпеки пиросос видаватиме короткі попереджувальні звукові сигнали. Коли вони звучатимуть, перевірте положення перемикача вибору діаметра шланга або чи сила всмоктування не надто низька. Якщо звукові сигнали продовжують лунати, виконайте технічне обслуговування або зверніться до місцевого сервісного центру.
- Коли бак наповниться рідиною, очищувач видаватиме безперервні попереджувальні звукові сигнали та автоматично зупиниться. Після зупинки пирососа вимкніть його й спорожніть бак.

Зупинка автоматичного всмоктування під час всмоктування вологи

▲ ПОПЕРЕДЖЕННЯ: Не збирайте пирососом піну або мильний розчин. Це може спричинити вихід піни з випускного отвору повітря. Тривале використання пирососа в такому стані може призвести до ураження електричним струмом і поломки пирососа.

Пиросос має механізм, який запобігає проникненню води у двигун під час всмоктування води, кількість якої перевищує визначену.

Коли бак наповниться рідиною, очищувач видаватиме безперервні попереджувальні звукові сигнали та автоматично зупиниться. Після зупинки пирососа вимкніть його й спорожніть бак.

Система очищення фільтрів

У цьому приладі встановлено систему очищення фільтрів. Під час використання приладу система очищення фільтрів автоматично очищає фільтри від пилу, щоб запобігти зменшенню сили всмоктування через засмічення фільтрів.

Якщо прилад за раз усмоктує велику кількість пилу, сила всмоктування може зменшитися. У такому разі радимо почистити фільтри вручну.

1. Вимкніть прилад.
2. Установіть максимальну потужність усмоктування, а потім закрийте отвір усмоктувального шланга долонею.
3. Увімкніть прилад і нехай він попрацює приблизно 15 секунд із закритим усмоктувальним отвором.

► **Рис.7:** 1. Отвір усмоктувального шланга

ПРИМІТКА: Під час активації системи очищення фільтрів обсяг повітря може змінюватися, але це не є несправністю.

Водостік

Коли бак заповниться рідиною, вимкніть пиłosос і відкрийте кришку водостоку, щоб спорожнити бак.

► **Рис.8:** 1. Кришка водостоку

Ковпачок

Пробка постачається разом із приладом.

Установлення пробки в отвір під'єднання шланга запобігає виходу всмоктаного пилу з пиłosосу.

► **Рис.9:** 1. Пробка

Блокування й розблокування коліщаток

Передні коліщатка можна заблокувати за допомогою стопорів, щоб запобігти пересуванню пиłosоса.

Опустіть вручну стопорний важіль, щоб заблокувати коліщатко, або підніміть його, щоб зняти блокування.

► **Рис.10:** 1. Коліщатко 2. Стопорний важіль
3. Положення FREE 4. Положення LOCK

ПРИМІТКА: Перед пересуванням пиłosоса слід переконатися, що коліщатко розблоковане. Пересування пиłosоса із заблокованим коліщатком може пошкодити коліщатко.

Ручка для перенесення

⚠ОБЕРЕЖНО: Будьте обережні під час підйому й перенесення приладу. Недотримання цієї вимоги може призвести до травми або пошкодження приладу.

Переносячи пиłosос, тримайте його за ручку на верхньому блоці. Коли ручка не використовується, її можна прибрати у верхній блок.

► **Рис.11**

Якщо самостійно переносити прилад важко, перенесіть його вдвох, як показано на рисунку.

► **Рис.12**

► **Рис.13**

ЗБОРКА

⚠ПОПЕРЕДЖЕННЯ: Цей пристрій може містити небезпечний пил. Під час заміни фільтрувальних елементів і мішка для пилу або технічного обслуговування завжди використовуйте респіратор моделі P2.

⚠ОБЕРЕЖНО: Перш ніж проводити будь-які роботи з приладом, вимкніть його й витягніть касети з акумуляторами.

Установлення та утилізація мішка фільтра

⚠ПОПЕРЕДЖЕННЯ: Завжди використовуйте респіратор моделі P2.

⚠ПОПЕРЕДЖЕННЯ: Перед використанням мішка фільтра переконайтеся, що встановлено модуль фільтрації. Невикористання модуля фільтрації разом із мішком фільтра може спричинити незвичний шум і нагрівання, що може призвести до займання.

⚠ПОПЕРЕДЖЕННЯ: Прибираючи приладом пил класу M, завжди використовуйте мішок фільтра.

УВАГА: Використовуючи мішок фільтра, ніколи не збирайте пиłosосом воду, іншу рідину або вологий пил. Усмоктування цих речовин може призвести до пошкодження мішка фільтра.

1. Відкрийте защіпка та зніміть верхній блок із бака.

► **Рис.14:** 1. Зашчіпка

2. Розкладіть мішок фільтра.

3. Розташуйте отвір мішка фільтра навпроти отвору для всмоктування пилу бака.

4. Вставте картонну частину мішка фільтра в пристрій, щоб вона розташувалась поза виступом фіксатора.

► **Рис.15:** 1. Мішок фільтра 2. Картонна панель з отвором 3. Тримач мішка фільтра
4. Отвір для всмоктування пилу 5. Край

Виймаючи мішок фільтра, потягніть за край горловини мішка фільтра, щоб горловина була закрита папером.

Установлення поліетиленового мішка

Додаткове приладдя

Розкладіть поліетиленовий мішок у баку та вставте верхній край мішка з одного боку між пластиною тримача й передньою стінкою бака.

Розгорніть верхній край мішка назовні поверх верхніх країв бака.

Поліетиленовий мішок можна використовувати разом із мішком фільтра.

► **Рис.16:** 1. Пластина тримача 2. Передня стінка бака 3. Поліетиленовий мішок

ПРИМІТКА: Можна використовувати поліетиленові мішки, наявні в продажу. Радимо використовувати мішки з товщиною стінок більше 0,04 мм і периметром більше 2 000 мм.

ПРИМІТКА: Занадто велика кількість пилу призведе до розірвання поліетиленового мішка, тому не переповнюйте мішок. Під час виймання важкого мішка людина може відчувати велике навантаження.

Випорожнення бака з поліетиленовим мішком

⚠ ПОПЕРЕДЖЕННЯ: Перед випорожненням бака обов'язково переконайтеся, що пиросос вижмнено, а касети з акумуляторами витягнуто. Недотримання цих правил може призвести до ураження струмом і тяжких травм.

УВАГА: Спорожнюйте бак хоча б один раз на день, хоча це залежить від кількості зібраного пилу в баку. Інакше зменшиться сила всмоктування та може вийти з ладу двигун.

УВАГА: Під час випорожнення бака не тримайтеся за защіпки. Якщо триматися за защіпки, їх можна зламати.

1. Відкрийте защіпки та зніміть верхній блок із бака.

2. Витягніть із бака поліетиленовий мішок, охопивши рукою його горловину.

► **Рис.17:** 1. Поліетиленовий мішок 2. Бак

ПРИМІТКА: Виймайте поліетиленовий мішок із бака обережно, щоб не зачепитися за виступи всередині бака й не розірвати мішок.

ПРИМІТКА: Спорожнюйте поліетиленовий мішок до того, як він заповниться. Від надмірної кількості пилу в баку поліетиленовий мішок може порватися.

Установлення шланга

УВАГА: Ніколи не згинайте шланг, застосовуючи надмірну силу, і не ставайте на нього ногами. Ніколи не пересувайте пиросос, тримаючи його за шланг. Ви можете пошкодити або деформувати шланг, застосовуючи до нього надмірну силу, наступаючи на нього або тягнучи за нього.

УВАГА: Під час усмоктування сміття, що містить великі частки, на кшталт деревних стружок, бетонного пилу тощо, використовуйте шланг із внутрішнім діаметром 38 мм (додаткове приладдя). Шланг із внутрішнім діаметром 28 мм (додаткове приладдя) може засмітитися або зазнати uszkodжень.

УВАГА: Якщо від'єднує шланг від пирососа, завжди закривайте монтажний отвір пробкою.

Приєднання до пирососа

Зніміть пробку з монтажного отвору. Поки шланг під'єднано до пирососа, пробку можна зберігати в задній частині пирососа.

► **Рис.18:** 1. Пробка

Вставте кінець шланга в отвір для всмоктування пилу (вхідний отвір для шланга) пирососа й поверніть за годинниковою стрілкою до фіксації.

► **Рис.19:** 1. Шланг 2. Отвір для всмоктування пилу (вхідний отвір для шланга)

З'єднання з робочими інструментами (залежно від країни)

Приєднавши пиросос до сумісних електроінструментів, його можна використовувати для видалення пилу під час роботи із цими інструментами.

Виберіть передню манжету чи муфту (додаткове приладдя), яка найкраще підходить до вашої моделі інструмента. Установіть передню манжету чи муфту, якщо потрібно, між переднім кінцем шланга пирососа й отвором для видалення пилу інструмента.

► **Рис.20:** 1. Передня манжета або муфта 2. Шланг пирососа 3. Електроінструмент 4. Пиросос

Установлення або видалення насадок пирососа

⚠ ОБЕРЕЖНО: Після встановлення насадки переконайтеся в надійності її кріплення. У разі неправильного встановлення насадки вона може зіскочити й нанести травму.

Під час використання насадки без фіксації

Додаткове приладдя

Вставте насадку в отвір усмоктування пирососа і вкрутіть її вручну.

Після використання відкрутіть насадку вручну й витягніть її з отвору усмоктування.

► **Рис.21**

Установлення контейнера МАКРАС

Додаткове приладдя

⚠ ОБЕРЕЖНО: Не ставайте та не сідайте зверху приладу. Він може впасти через нестійкість.

⚠ ОБЕРЕЖНО: Будьте обережні під час установлення контейнера МАКРАС. Недотримання цієї вимоги може призвести до травми або пошкодження приладу.

⚠ ОБЕРЕЖНО: Коли на приладі встановлено контейнер МАКРАС, не піднімайте прилад за ручку цього контейнера МАКРАС.

⚠ ОБЕРЕЖНО: Під час переміщення приладу, на якому встановлено контейнер МАКРАС, докладайте зусилля не до контейнера МАКРАС, а до корпусу приладу. Якщо зусилля докладати до контейнера МАКРАС, можна зламати фіксатори, які його кріплять, що може спричинити падіння контейнера МАКРАС і травмування оточуючих.

Зверху пирососа можна встановлювати контейнери для зберігання МАКРАС, які можна ставити один зверху іншого і скріплювати між собою. Ви можете придбати контейнери різних типів і розмірів, виходячи з власних потреб.

1. Відкрийте фіксатори зверху пирососа.

► **Рис.22:** 1. Фіксатор

2. Установіть контейнери МАКРАС зверху пирососа та закріпіть їх фіксаторами.

► **Рис.23:** 1. Фіксатор 2. МАКРАС

Максимальна висота й маса приладу з контейнерами МАКРАС становлять 315 мм і 20 кг відповідно.

► **Рис.24**

РОБОТА

▲ ПОПЕРЕДЖЕННЯ: Завжди використовуйте респіратор P2.

▲ ОБЕРЕЖНО: Якщо з пристрою витікає піна або рідина, негайно вимкніть його. Подальше використання пирососа в такому стані може призвести до ураження електричним струмом і поломки пирососа.

ФУНКЦІЯ БЕЗДРОТОВОЇ АКТИВАЦІЇ

Додаткове приладдя

Для чого призначена функція бездротової активації

Використання функції бездротової активації забезпечує чистоту та комфортну роботу. Після під'єднання сумісного інструмента до пирососа пиросос його можна буде автоматично запускати разом з інструментом.

► Рис.25

УВАГА: Див. посібник з експлуатації інструмента щодо використання пирососа з функцією бездротової активації.

УВАГА: Не розбирайте бездротовий модуль і не намагайтеся втручатися в його роботу.

УВАГА: Для запобігання попаданню пилу в проріз бездротового модуля щільно закрийте кришку під час роботи й зберігання.

УВАГА: Не натискайте занадто сильно кнопку активації та не робіть це гострим предметом.

ПРИМІТКА: Для бездротової активації необхідно, щоб інструменти Makita мали бездротовий модуль.

ПРИМІТКА: Перед першим застосуванням функції бездротової активації з кожним інструментом необхідно виконати реєстрацію інструмента. Після виконання реєстрації інструмента повторна реєстрація не потрібна, якщо не було скасування.

ПРИМІТКА: Перед реєстрацією переконайтеся в тому, що бездротовий модуль правильно встановлено.

ПРИМІТКА: На один бездротовий модуль можна зареєструвати до 10 з'єднань з іншими бездротовими модулями. Якщо на один бездротовий модуль зареєстровано понад 10 інших бездротових модулів, модуль, який було зареєстровано першим, буде скасовано автоматично.

ПРИМІТКА: Кнопка бездротової активації може знаходитися на різних інструментах у різних місцях.

ПРИМІТКА: Пиросос також можна ввімкнути, натиснувши кнопку живлення в той час, коли перемикач режиму очікування знаходиться в положенні «АУТО». Проте кнопка живлення не спрацює, якщо було застосовано функцію бездротової активації.

Установлення бездротового модуля

▲ ПОПЕРЕДЖЕННЯ: Відкривайте кришку, лише під час першого встановлення бездротового модуля. Ніколи не відкривайте кришку після її встановлення.

▲ ОБЕРЕЖНО: Під час установлення бездротового модуля розташуйте пиросос на рівній і стійкій поверхні.

УВАГА: Перед установленням бездротового модуля очистьте пиросос від пилу й бруду. Пил або бруд можуть стати причиною несправності, якщо вони потраплять у відсік бездротового пристрою.

УВАГА: Щоб уникнути несправностей, викликаних статичною електрикою, перш ніж торкатися бездротового модуля, доторкніться деталі, яка допоможе зняти електростатичний заряд, наприклад металевої частини.

УВАГА: Під час установлення бездротового модуля завжди стежте за тим, щоб уставляти його правильною стороною та щоб кришка відсіку була повністю закрита.

1. Відкрутіть гвинт, щоб відкрити кришку пирососа, як показано на рисунку.

► Рис.26: 1. Кришка 2. Гвинт

2. Вставте бездротовий модуль у гніздо.

Під час установлення бездротового модуля сумістіть виступи із заглибленнями у відсіку.

► Рис.27: 1. Бездротовий модуль 2. Виступ 3. Кришка 4. Заглиблення

3. Повністю затягніть гвинт, щоб закрити кришку.

Реєстрація інструмента для пирососа

ПРИМІТКА: Для реєстрації інструмента потрібно мати інструмент Makita, який підтримує функцію бездротової активації.

ПРИМІТКА: Установіть бездротовий модуль в інструмент перед початком реєстрації.

ПРИМІТКА: Під час реєстрації інструмента не натискайте курок вмикача інструмента або кнопку живлення пирососа.

ПРИМІТКА: Див. також посібник з експлуатації інструмента.

Для ввімкнення пирососа одночасно з інструментом спочатку виконайте реєстрацію інструмента.

1. Установіть бездротові модулі в пиросос й інструмент відповідно.

2. Вставте акумулятори в пиросос та інструмент.

3. Установіть перемикач режиму очікування на пирососі в положення «АУТО».

► Рис.28: 1. Перемикач режиму очікування

4. Натисніть кнопку бездротової активації на пилососі та втримуйте її протягом 3 секунд, поки індикатор бездротової активації не почне блимати зеленим кольором. Потім так само натисніть кнопку бездротової активації на інструменті.

- **Рис.29:** 1. Кнопка бездротової активації
2. Індикатор бездротової активації

Якщо пилосос та інструмент з'єднані успішно, індикатори бездротової активації світитимуться зеленим протягом 2 секунд, а потім почнуть блимати синім кольором.

ПРИМІТКА: Індикатори бездротової активації припинять блимати зеленим кольором за 20 секунд. Натисніть кнопку бездротової активації на інструменті, поки блимає індикатор бездротової активації на пилососі. Якщо індикатор бездротової активації не блимає зеленим, короткочасно натисніть кнопку бездротової активації, а потім знову натисніть і втримуйте її.

ПРИМІТКА: Якщо потрібно зареєструвати два або більше інструментів для пилососа, виконайте реєстрацію інструментів послідовно, один за одним.

Увімкнення функції бездротової активації

ПРИМІТКА: Завершіть реєстрацію інструмента для пилососа для використання бездротової активації.

ПРИМІТКА: Завжди розміщуйте пилосос так, щоб було видно стан індикатора бездротової активації.

ПРИМІТКА: Див. також посібник з експлуатації інструмента.

Після реєстрації інструмента на пилососі пилосос вмикатиметься автоматично, коли починатиме працювати інструмент.

1. Установіть бездротові модулі в пилосос й інструмент відповідно.
2. Вставте акумулятори в пилосос та інструмент.
3. З'єднайте шланг пилососа з інструментом.

► **Рис.30**

4. Установіть перемикач режиму очікування на пилососі в положення «АУТО».

► **Рис.31:** 1. Перемикач режиму очікування

5. Натисніть і відпустіть кнопку бездротової активації на інструменті. Індикатор бездротової активації почне блимати синім кольором.

► **Рис.32:** 1. Кнопка бездротової активації
2. Індикатор бездротової активації

6. Увімкніть інструмент. Перевірте, чи працює пилосос під час роботи інструмента.

⚠ОБЕРЕЖНО: Перед початком роботи з інструментом переконайтеся в тому, що функція бездротової активації працює.

Для припинення бездротової активації натисніть кнопку бездротової активації на інструменті або встановіть перемикач режиму очікування на пилососі в положення «I» або «O».

ПРИМІТКА: Індикатор бездротової активації на інструменті припинить блимати синім, якщо він не використовується протягом 2 годин. У цьому випадку встановіть перемикач режиму очікування на пилососі в положення «АУТО» та знову натисніть кнопку бездротової активації на інструменті.

ПРИМІТКА: Пилосос вмикається та зупиняється з затримкою. Існує затримка, коли пилосос визначає перемикання інструмента в робочий режим.

ПРИМІТКА: Дальність передачі бездротового модуля змінюється залежно від місця розташування й навколишніх умов.

ПРИМІТКА: Якщо для одного пилососа зареєстровано два або більше інструменти, пилосос може почати працювати, навіть якщо ви не вмикали свій інструмент, коли інший користувач застосовує функцію бездротової активації.

Скасування реєстрації інструмента для пилососа

Виконайте описані нижче дії, щоб скасувати реєстрацію інструмента для пилососа.

1. Установіть бездротові модулі в пилосос й інструмент відповідно.
2. Вставте акумулятори в пилосос та інструмент.
3. Установіть перемикач режиму очікування на пилососі в положення «АУТО».

► **Рис.33:** 1. Перемикач режиму очікування

4. Натискайте кнопку бездротової активації на пилососі протягом 6 секунд. Індикатор бездротової активації почне блимати зеленим, а потім загориться червоним кольором. Після цього так само натисніть кнопку бездротової активації на інструменті.

► **Рис.34:** 1. Кнопка бездротової активації
2. Індикатор бездротової активації

Якщо скасування виконано успішно, індикатори бездротової активації світитимуться червоним світлом протягом 2 секунд, а потім почнуть блимати синім кольором.

ПРИМІТКА: Індикатори бездротової активації припинять блимати червоним кольором за 20 секунд. Натисніть кнопку бездротової активації на інструменті, поки блимає індикатор бездротової активації на пилососі. Якщо індикатор бездротової активації не блимає червоним, короткочасно натисніть кнопку бездротової активації, а потім знову натисніть і втримуйте її.

Видалення реєстрації всіх інструментів

Видалити реєстрацію всіх інструментів із пилососа можна таким чином.

- **Рис.35:**
1. Перемикач режиму очікування
 2. Кнопка бездротової активації
 3. Індикатор бездротової активації
1. Установіть бездротовий модуль у пилосос.
 2. Вставте акумулятори в пилосос.
 3. Установіть перемикач режиму очікування в положення «АUTO».
 4. Натисніть кнопку бездротової активації приблизно на 6 секунд, поки індикатор бездротової активації не почне блимати червоним кольором (приблизно два рази на секунду).

5. Коли індикатор бездротової активації почне блимати червоним кольором, відпустіть кнопку бездротової активації. Потім натисніть кнопку бездротової активації знову приблизно на 6 секунд.















6. Коли індикатор бездротової активації почне швидко блимати (приблизно 5 разів на секунду) червоним кольором, відпустіть кнопку бездротової активації. Якщо індикатор бездротової активації загориться червоним кольором, а потім потухне, реєстрації всіх інструментів видалені.

ПРИМІТКА: Якщо індикатор бездротової активації не блимає червоним, короткочасно натисніть кнопку бездротової активації, а потім спробуйте знову.

Опис стану індикатора бездротової активації

- **Рис.36:**
1. Кнопка бездротової активації
 2. Індикатор бездротової активації

Індикатор бездротової активації відображає стан функції бездротової активації. Значення стану індикатора див. у таблиці нижче.

Стан	Індикатор бездротової активації			Опис	
	Колір	 Увімк.	 Блімає		Тривалість (приблизно)
Режим очікування	Синій			Пилосос: продовжує працювати. Інструмент: 2 години	Очікування реєстрації інструмента, або функція бездротової активації доступна. Індикатор на пилососі буде блимати, якщо перемикач режиму очікування встановлено в положення «АUTO». Індикатор на інструменті буде блимати, якщо натиснуто кнопку бездротової активації. Індикатор на інструменті вимкнеться автоматично, якщо протягом 2 годин не буде виконуватися ніяка операція.
				Коли інструмент працює.	Доступна бездротова активація пилососа, інструмент працює.
Реєстрація інструмента	Зелений			20 секунд	Готовність до реєстрації інструмента. Пошук інструмента для реєстрації.
				2 секунд	Реєстрація інструмента завершена. Індикатор бездротової активації починає блимати синім кольором.
Скасування/видалення реєстрації інструмента	Червоний			20 секунд	Готовність до скасування реєстрації інструмента. Пошук інструмента для скасування.
				Коли натиснуто кнопку бездротової активації.	Готовність до видалення реєстрації всіх інструментів.
				2 секунд	Реєстрацію інструмента скасовано/видалено. Індикатор бездротової активації починає блимати синім кольором.
Інше	Червоний			3 секунд	На бездротовий модуль подається живлення, функція бездротової активації вмикається.
		Вимк.	—	—	Перемикач режиму очікування не встановлено в положення «АUTO».

Усунення несправностей функції бездротової активації

Перш ніж звертатися з приводу ремонту інструмента, проведіть його перевірку самостійно. У разі виявлення несправності, яку не описано в цьому посібнику, не намагайтеся розібрати інструмент. Натомість зверніться до авторизованих сервісних центрів Makita та використовуйте для ремонту тільки запасні частини виробництва компанії Makita.

Стан відхилення від норми	Можлива причина (несправність)	Спосіб виправлення
Індикатор бездротової активації не світиться або не блимає.	Бездротовий модуль не встановлено в пілосос й/або інструмент. Бездротовий модуль неправильно встановлено в пілосос й/або інструмент.	Правильно встановіть бездротовий модуль.
	Кнопку бездротової активації на інструменті не натиснуто.	Натисніть і відпустіть кнопку бездротової активації на інструменті.
	Перемикач режиму очікування на пілососі не встановлено в положення «АУТО».	Установіть перемикач режиму очікування на пілососі в положення «АУТО».
	Відсутнє живлення	Підключіть інструмент і пілосос до джерела живлення.
Неможливо успішно закінчити реєстрацію інструмента або скасувати реєстрацію інструмента.	Бездротовий модуль не встановлено в пілосос й/або інструмент. Бездротовий модуль неправильно встановлено в пілосос й/або інструмент.	Правильно встановіть бездротовий модуль.
	Перемикач режиму очікування на пілососі не встановлено в положення «АУТО».	Установіть перемикач режиму очікування на пілососі в положення «АУТО».
	Відсутнє живлення	Підключіть інструмент і пілосос до джерела живлення.
	Неправильна операція	Коротко натисніть кнопку бездротової активації, а потім знову виконайте процедуру реєстрації або скасування реєстрації інструмента.
	Інструмент і пілосос знаходяться далеко один від одного (за межами радіуса дії передавача).	Розташуйте інструмент і пілосос ближче один до одного. Максимальна відстань передачі складає близько 10 м, проте вона залежить від умов експлуатації.
	Перед завершенням реєстрації інструмента / скасуванням: – було натиснуто вимикач на інструменті; або – було натиснуто кнопку живлення на пілососі.	Коротко натисніть кнопку бездротової активації, а потім знову виконайте процедуру реєстрації або скасування реєстрації інструмента.
	Процедуру реєстрації для інструмента або пілососа не завершено.	Виконайте дії з реєстрації, які стосуються інструмента й пілососа, в один часовий проміжок.
	Радіоперешкоди від інших приладів, які генерують радіохвилі високої потужності.	Тримайте інструмент і пілосос подалі від приладів, як-от пристрої Wi-Fi і мікрохвильові печі.

Стан відхилення від норми	Можлива причина (несправність)	Спосіб виправлення
Пилосос не вмикається під час роботи інструмента.	Бездротовий модуль не встановлено в пилосос й/або інструмент. Бездротовий модуль неправильно встановлено в пилосос й/або інструмент.	Правильно встановіть бездротовий модуль.
	Кнопку бездротової активації на інструменті не натиснуто.	Натисніть і відпустіть кнопку бездротової активації та переконайтеся, що індикатор бездротової активації блимає синім кольором.
	Перемикач режиму очікування на пилососі не встановлено в положення «АУТО».	Установіть перемикач режиму очікування на пилососі в положення «АУТО».
	У пилососі зареєстровано понад 10 інструментів.	Виконайте реєстрацію інструмента ще раз. Якщо в пилососі зареєстровано понад 10 інструментів, дані про інструмент, який було зареєстровано найпершим, будуть автоматично вилучені.
	Пилосос видалив дані про реєстрацію всіх інструментів.	Виконайте реєстрацію інструмента ще раз.
	Відсутнє живлення	Підключіть інструмент і пилосос до джерела живлення.
	Інструмент і пилосос знаходяться далеко один від одного (за межами радіуса дії передавача).	Розташуйте інструмент і пилосос ближче один до одного. Максимальна відстань передачі складає близько 10 м, проте вона залежить від умов експлуатації.
	Радіоперешкоди від інших приладів, які генерують радіохвилі високої потужності.	Тримайте інструмент і пилосос подалі від приладів, як-от пристрої Wi-Fi і мікрохвильові печі.
Пилосос працює, коли інструмент не використовується.	Інші користувачі застосовують функцію бездротової активації пилососа зі своїми інструментами.	Вимкніть за допомогою кнопки бездротової активації інших інструментів або скасуйте їх реєстрацію.
Неможливо видалити реєстрацію всіх інструментів у пилососі.	Натисніть кнопку бездротової активації на інструменті.	Натисніть кнопку бездротової активації на пилососі для видалення реєстрації всіх інструментів.
	Перемикач режиму очікування на пилососі не встановлено в положення «АУТО».	Установіть перемикач режиму очікування на пилососі в положення «АУТО».
	Неправильно натиснуто кнопку бездротової активації.	Натисніть кнопку бездротової активації більше, ніж на 6 секунд, а потім відпустіть її, коли індикатор бездротової активації буде блимати червоним кольором. Знову натисніть кнопку бездротової активації більше, ніж на 6 секунд, поки кнопка бездротової активації не почне швидко блимати червоним кольором, а потім відпустіть кнопку.

ТЕХНІЧНЕ ОБСЛУГОВУВАННЯ

▲ ПОПЕРЕДЖЕННЯ: Під час технічного обслуговування завжди використовуйте респіратор моделі P2.

▲ ОБЕРЕЖНО: Перед виконанням огляду або обслуговування завжди вимикайте прилад і виймайте касети з акумуляторами.

▲ ОБЕРЕЖНО: Технічний огляд, включаючи перевірку фільтрів, герметичності та механізму керування, має проводити не рідше одного разу на рік особа, яка пройшла інструктаж.

▲ ОБЕРЕЖНО: Під час технічного обслуговування всі забруднені елементи, які не можна почистити належним чином, необхідно утилізувати. Такі елементи необхідно викидати в непроничні пакети, які відповідають нормам вашої країни.

▲ ОБЕРЕЖНО: Після роботи в небезпечній зоні зовнішню поверхню пристрою необхідно почистити пілососом, протерти або обробити герметиком, перш ніж вивозити пристрій із небезпечної зони. Після вивезення з небезпечної зони всі частини пристрою слід вважати забрудненими та необхідно вжити відповідних заходів для запобігання розсіюванню пилу.

▲ ОБЕРЕЖНО: Якщо фільтри забиті пилом або вам здається, що продуктивність пілососа знизилася, замініть фільтри.

▲ ОБЕРЕЖНО: Періодично перевіряйте стан фільтрів. Якщо фільтри мають розриви, негайно замініть їх.

УВАГА: Ніколи не використовуйте газолін, бензин, розріджувач, спирт та подібні речовини. Їх використання може призвести до зміни кольору, деформації або появи тріщин.

Для забезпечення БЕЗПЕКИ та НАДІЙНОСТІ продукції, її ремонт, а також роботи з обслуговування або регулювання повинні виконуватись уповноваженими або заводськими сервісними центрами Makita із використанням запчастин виробництва компанії Makita.

Знімання модуля фільтрації

▲ ОБЕРЕЖНО: Зачекайте приблизно 5 хвилин, щоб пил у баку повністю осів.

▲ ОБЕРЕЖНО: Будьте обережні під час знімання модуля фільтрації, щоб пил не потрапив усередину кришки бака.

Модуль фільтрації кріпиться на верхньому блоці. Він складається з верхньої панелі, фільтрів попереднього очищення, демпферів і поршкових фільтрів.

1. Відкрийте зачіпки та зніміть верхній блок із бака.
 2. Зніміть модуль фільтрації з верхнього блока, як показано на рисунку.
- Рис.37: 1. Фіксатор 2. Модуль фільтрації

Знімання порошкового фільтра та фільтра попереднього очищення

Потягніть за виступ і вийміть фільтри з верхньої панелі.

- Рис.38: 1. Верхня панель 2. Фільтри 3. Виступ

Щоб запобігти потраплянню пилу в повітря, бажано поміщати вийняті фільтри в поліетиленовий мішок. Під час перенесення модуля фільтрації для очищення поліетиленовий мішок має бути міцно зав'язаним.

- Рис.39: 1. Модуль фільтрації 2. Поліетиленовий мішок

- Рис.40: 1. Верхня панель 2. Фільтри 3. Поліетиленовий мішок

Очищення порошкового фільтра, фільтра попереднього очищення та демпфера

Періодично чистьте фільтри та демпфери. Засмічені фільтри й демпфер можуть призвести до погіршення продуктивності всмоктування.

Регулярно очищайте фільтри та демпфер від пилу. Час від часу мийте порошковий фільтр, фільтр попереднього очищення й демпфер у воді, полощіть і ретельно висушуйте його в затінку перед використанням. Ніколи не мийте ці елементи в пральній машині.

- Рис.41

ПРИМІТКА: Не трійте і не дряпайте порошковий фільтр, фільтр попередньої очистки чи глушник твердими предметами, такими як щітка та лопатка.

ПРИМІТКА: З часом фільтри зношуються. Рекомендовано мати кілька запасних фільтрів.

Установлення порошкового фільтра та фільтра попереднього очищення

УВАГА: Порошковий фільтр і фільтр попереднього очищення можуть уловлювати як сухий, так і вологий пил. Щоб уникнути помилки порошкового фільтра, переконайтеся, що датчики рівня води працюють правильно.

Закріпіть краї модуля фільтрації за верхню панель, а потім вдвіть виступ.

- Рис.42: 1. Край 2. Виступ

УВАГА: Перед використанням порошкового фільтра слід перевіряти, щоб фільтр попередньої очистки та глушник використовувалися разом. Заборонено встановлювати тільки порошковий фільтр.

Складання фільтрів

Якщо ви отримуєте фільтри окремо, зберіть їх, як показано на рисунку.

- Рис.43: 1. Порошковий фільтр 2. Демпфер 3. Фільтр попереднього очищення

Установлення модуля фільтрації

Після встановлення фільтрів на верхню панель зачепіть отвори модуля фільтрації за виступи внутрішньої кришки у вигляді літери U. Потім зафіксуйте фіксатор, як показано на рисунку.

- **Рис.44:** 1. Виступ у вигляді літери U 2. Отвір
3. Фіксатор

Установлення водяного фільтра

Додаткове приладдя

УВАГА: Для збирання вологого пилу переконайтеся, що датчики рівня води вмикаються належним чином.

УВАГА: Не використовуйте фільтр попереднього очищення й демпфер разом із водяним фільтром.

Для збирання лише води та вологого пилу краще використовувати водяний фільтр, ніж порошоквий фільтр і фільтр попереднього очищення. Установлюйте водяний фільтр на верхню панель так само, як порошоквий фільтр і фільтр попереднього очищення.

- **Рис.45**

ПРИМІТКА: Якщо потрібно систематично збирати велику кількість води, радимо використовувати водяний фільтр. Інакше в разі використання порошоквого фільтра й фільтра попереднього очищення всмоктувальна здатність пилососа може погіршитися.

Очищення датчиків рівня води

Датчики рівня води визначають рівень рідини, коли бак заповнюється нею. Час від часу протирайте датчики рівня води м'якою ганчіркою під час заміни фільтрів.

- **Рис.46:** 1. Датчик рівня води

Зберігання приладдя

Приладдя й насадки, які наразі не використовуються, як-от насадки-розпилювачі, труби та пробку, можна підвісити на гачку ззаду пилососа.

- **Рис.47:** 1. Приладдя й насадка, які не використовуються 2. Пробка

Труби (з установленим додатковим обмежувачем) можна вставляти в тримач труби, якщо треба зробити невеличку перерву в роботі пилососа.

- **Рис.48:** 1. Обмежувач (додаткове приладдя)
2. Тримач труби

Шланг можна намотати на корпус або ручку пилососа великими кільцями. З'єднайте кінці шланга між собою, щоб отримати кільця, і надягніть ці кільця на підняту ручку. Ви також можете не виймати шланг із вхідного отвору для шланга й покласти кільця шланга на універсальний тримач, закріпивши вільний кінець.

- **Рис.49**

- **Рис.50**

ДОДАТКОВЕ ПРИЛАДДЯ

⚠ОБЕРЕЖНО: Це додаткове та допоміжне обладнання рекомендовано використовувати з інструментом Makita, зазначеним у цій інструкції з експлуатації. Використання будь-якого іншого додаткового та допоміжного обладнання може становити небезпеку травмування. Використовуйте додаткове та допоміжне обладнання лише за призначенням.

У разі необхідності отримати допомогу в більш детальному ознайомленні з оснащенням звертайтеся до місцевого сервісного центру Makita.

- Шланг
- Передні манжети (22, 24, 38)
- Пряма труба
- Кутовий штучер
- Кругла щітка
- Порошковий фільтр M, H (HEPA)
- Глушник
- Фільтр попередньої очистки
- Водяний фільтр
- Вузол штучера
- Зігнута труба
- Поліетиленовий мішок
- Мішок фільтра
- Пробка
- Оригінальний акумулятор та зарядний пристрій Makita
- Бездротовий модуль
- МАКРАС

ПРИМІТКА: Деякі елементи списку можуть входити до комплекту інструмента як стандартне приладдя. Вони можуть відрізнитися залежно від країни.

AVERTIZARE

- Acest aparat nu este destinat utilizării de către persoane, inclusiv copii, cu capacități fizice, senzoriale sau mentale reduse sau cu lipsă de experiență și cunoștințe.
- Copiii trebuie supravegheați pentru a vă asigura că nu se joacă cu aspiratorul.
- Consultați capitolul „SPECIFICAȚII” pentru referința tipului de acumulator.
- Consultați secțiunea „Instalarea sau scoaterea cartușului acumulatorului” pentru modul de scoatere sau de instalare a acumulatorului.
- Atunci când eliminați la deșeuri cartușul acumulatorului, scoateți-l din mașină și eliminați-l într-un loc sigur. Respectați normele dumneavoastră locale privind eliminarea la deșeuri a acumulatorului.
- Dacă mașina nu este utilizată o perioadă lungă de timp, acumulatorul trebuie scos din aceasta.
- Nu scurtcircuitați cartușul acumulatorului.
- Consultați capitolul „ÎNTREȚINERE” pentru detaliile necesare privind precauțiile în timpul lucrărilor de întreținere efectuate de utilizator.

SPECIFICAȚII

Model:		VC006GM
Volum maxim de aer la capătul furtunului	Cu furtun BL4050F, ø28 mm x 3,5 m	2,0 m ³ /min
	Cu furtun BL4050F, ø38 mm x 2,5 m	3,7 m ³ /min
Volum maxim de aer la turbină (cu BL4050F)		4,9 m ³ /min
Aspirare (cu BL4050F)		18 kPa
Capacitate recuperabilă	Praf	40 L
	Apă	30 L
Dimensiuni (L x l x H)		586 mm x 385 mm x 598 mm
Tensiune nominală		Max. 72 V - 80 V cc.
Greutate netă		18,4 - 20,8 kg
Grad de protecție		IPX4

- Datorită programului nostru continuu de cercetare și dezvoltare, specificațiile pot fi modificate fără o notificare prealabilă.
- Specificațiile pot varia în funcție de țară.
- Greutatea nu include accesoriile, ci cartușul (cartușele) acumulatorului. Greutatea combinată (cea mai mică și cea mai mare) a aparatului și a cartușului (cartușelor) acumulatorului este prezentată în tabel.

Cartușul acumulatorului și încărcătorul aplicabile

Cartușul acumulatorului	BL4020 / BL4025 / BL4040* / BL4050F* / BL4080F* * : Acumulator recomandat
Încărcător	DC40RA / DC40RB / DC40RC

- Este posibil ca unele cartușe ale acumulatorilor și încărcătoare menționate mai sus să nu fie disponibile în funcție de regiunea dvs. de reședință.

⚠️ AVERTIZARE: Utilizați numai cartușele de acumulator și încărcătoarele enumerate mai sus. Utilizarea oricăror altor cartușe de acumulator și încărcătoare poate duce la rănire și/sau incendiu.

Simboluri

Mai jos sunt prezentate simbolurile care pot fi utilizate pentru echipament. Asigurați-vă că înțelegeți sensul acestora înainte de utilizare.



Citiți manualul de utilizare.



Acordați atenție și grijă deosebită.



Avertizare! Aspiratorul poate conține praf periculos.



Nu stați niciodată pe aspirator.



Nu puneți pe aspirator obiecte mai grele de 20 kg (44 lbs).



Clasă de praf M (mediu): pentru separarea prafului cu o valoare limită de expunere profesională nu mai mică de $0,1 \text{ mg/m}^3$. Aspiratoarele au capacitatea de a colecta praf de clasele L și M. Respectați normele naționale referitoare la praf și la sănătatea și siguranța profesională.



Doar pentru țările din cadrul UE
Din cauza prezenței componentelor periculoase în echipament, deșeurile de echipamente electrice și electronice, acumulatorii și bateriile pot avea un efect negativ asupra mediului și sănătății umane.

Nu eliminați aparatele electrice și electronice sau bateriile împreună cu gunoii menajer! În conformitate cu Directiva europeană privind deșeurile de echipamente electrice și electronice, acumulatorii, bateriile și deșeurile de acumulatori și baterii, precum și cu adaptarea sa în legislația națională, deșeurile de echipamente electrice, de baterii și de acumulatori trebuie depozitate separat și eliminate la un centru de colectare separat pentru deșeurile municipale, care respectă reglementările privind protecția mediului. Acest lucru este indicat prin simbolul care reprezintă o pubeză cu roți barată cu o cruce, aplicat pe echipament.

Destinația de utilizare

Aparatul este destinat colectării prafului uscat și umed. Acest aparat este potrivit pentru uz comercial, de exemplu, în hoteluri, școli, spitale, fabrici, magazine, birouri și în societăți de închiriere.

Zgomot

Nivelul de zgomot normal ponderat A determinat în conformitate cu EN60335-2-69:

Nivel de presiune acustică (L_{pA}): 70 dB(A) sau mai puțin
Marjă de eroare (K): 2,5 dB(A)

Nivelul de zgomot în timpul funcționării poate depăși 80 dB (A).

NOTĂ: Valoarea (valorile) totală(e) a (ale) emisiilor de zgomot declarate a(u) fost măsurată(e) în conformitate cu o metodă de test standard și poate (pot) fi utilizată(e) pentru compararea unei unelte cu alta.

NOTĂ: Valoarea (valorile) totală(e) a (ale) emisiilor de zgomot declarate poate (pot) fi, de asemenea, utilizată(e) într-o evaluare preliminară a expunerii.

⚠️AVERTIZARE: Purtați echipament de protecție pentru urechi.

⚠️AVERTIZARE: Emisiile de zgomot în timpul utilizării efective a unelei electrice poate diferi de valoarea (valorile) nivelului declarat, în funcție de modul în care unealta este utilizată, în special ce fel de piesă este prelucrată.

⚠️AVERTIZARE: Asigurați-vă că identificați măsurile de siguranță pentru a proteja operatorul, acestea fiind bazate pe o estimare a expunerii în condiții reale de utilizare (luând în considerare toate părțile ciclului de operare, precum timpii în care unealta a fost oprită, sau a funcționat în gol, pe lângă timpul de declanșare).

Vibrații

Valoarea totală a vibrațiilor (suma vectorilor tri-axiali) determinată conform EN60335-2-69:

Emisie de vibrații ($a_{h,M}$): $2,5 \text{ m/s}^2$ sau mai puțin
Marjă de eroare (K): $1,5 \text{ m/s}^2$

NOTĂ: Valoarea (valorile) totală(e) a (ale) nivelului de vibrații declarat a (au) fost măsurată(e) în conformitate cu o metodă de test standard și poate (pot) fi utilizată(e) pentru compararea unei unelte cu alta.

NOTĂ: Valoarea (valorile) totală(e) a (ale) nivelului de vibrații declarat poate (pot) fi, de asemenea, utilizată(e) într-o evaluare preliminară a expunerii.

⚠️AVERTIZARE: Nivelul de vibrații în timpul utilizării efective a unelei electrice poate diferi de valoarea (valorile) nivelului declarat, în funcție de modul în care unealta este utilizată, în special ce fel de piesă este prelucrată.

⚠️AVERTIZARE: Asigurați-vă că identificați măsurile de siguranță pentru a proteja operatorul, acestea fiind bazate pe o estimare a expunerii în condiții reale de utilizare (luând în considerare toate părțile ciclului de operare, precum timpii în care unealta a fost oprită, sau a funcționat în gol, pe lângă timpul de declanșare).

Declarație de conformitate CE

Nu mai pentru țările europene

Declarația de conformitate CE este inclusă ca Anexa A în acest manual de instrucțiuni.

AVERTIZĂRI DE SIGURANȚĂ

Avertismente privind siguranța pentru aspiratorul fără cablu

⚠️AVERTIZARE: IMPORTANT CITIȚI CU ATENȚIE toate avertizările de siguranță și toate instrucțiunile ÎNAINTE DE UTILIZARE. Nerespectarea acestor avertismente și instrucțiuni poate avea ca rezultat electrocutarea, incendiul și/ sau rănirea gravă.

1. Înainte de utilizare, asigurați-vă că aspiratorul va fi utilizat de persoane care au fost instruite în mod adecvat în ceea ce privește utilizarea acestuia.
2. Înainte de întrebuintării, operatorii vor primi informații, instrucțiuni și instruire privind folosirea dispozitivului și a substanțelor pentru care urmează să fie utilizat, inclusiv metoda de scoatere și eliminare în condiții de siguranță a materialului colectat.
3. În cazul scurgerilor de spumă/lichid, opriți aparatul imediat.
4. Curățați periodic dispozitivul de limitare a nivelului de apă și verificați dacă prezintă semne de deteriorare.
5. Asigurați-vă întotdeauna că filtrele sunt instalate corect înainte de utilizare. Nu utilizați aspiratorul fără filtre montate. Înlocuiți imediat filtrul, dacă acesta este deteriorat. Se recomandă să aveți câteva piese de schimb, deoarece filtrele sunt articole consumabile.
6. **EVITAȚI PORNIREA ACCIDENTALĂ.** Asigurați-vă că comutatorul este OPRIT înainte de a instala acumulatorul (acumulatorii).
7. Nu încercați să colectați materiale inflamabile, artificii, țigări aprinse, cenușă fierbinte, așchii de metal fierbinți, materiale ascuțite precum lame, ace, sticlă spartă sau altele asemenea.
8. **NU UTILIZAȚI NICIODATĂ ASPIRATORUL ÎN APROPIEREA BENZINEI, GAZELOR, VOPSELELOR, ADEZIVILOR SAU ALTOR SUBSTANȚE EXTREM DE EXPLOZIVE.** Întrerupătorul emite scântei atunci când este PORNIT sau OPRIT. La fel și comutatorul motorului în timpul operării. Poate rezulta o explozie periculoasă.
9. Nu aspirați niciodată materiale toxice, cancerigene, combustibile sau periculoase precum azbest, arsenic, bariu, beriliu, plumb, pesticide sau alte materiale periculoase pentru sănătate.
10. Poziționați întotdeauna aspiratorul pe o suprafață plană orizontală pentru a preveni căderea sau mișcarea accidentală a acestuia.
11. Nu utilizați niciodată aspiratorul în exterior, în ploaie.
12. În Finlanda, această mașină nu trebuie utilizată la exterior, la temperatură scăzută.
13. Nu utilizați în apropierea surselor de căldură (sobe etc.).
14. Dacă aerul evacuat se întoarce în încăpere, este necesar să existe o rată corespunzătoare de recirculare a aerului în încăpere. Este necesar să se consulte reglementările naționale.
15. Nu blocați orificiul de aspirație/orificiul de evacuare/orificiile de ventilație care asigură răcirea. Aceste orificii permit răcirea motorului. Blocarea trebuie evitată cu atenție; altfel, motorul se va arde din cauza lipsei ventilării.
16. Mențineți-vă permanent echilibrul și sprijiniți-vă ferm pe picioare.
17. Nu pliați, nu trageți și nu călcați pe furtun.
18. Opriți aspiratorul imediat dacă performanțele acestuia se reduc sau dacă observați orice anomalitate în timpul operării.
19. **SCOATEȚI ACUMULATORUL (ACUMULATORII).** Când nu este utilizat, înainte de service și la schimbarea accesoriilor.
20. Curățați și efectuați întreținerea aspiratorului imediat după fiecare utilizare pentru a-l păstra într-o stare de funcționare cât mai bună.
21. **ÎNGRIJIȚI ASPIRATORUL.** Păstrați aspiratorul curat pentru o operare cât mai bună și sigură. Respectați instrucțiunile pentru schimbarea accesoriilor. Asigurați-vă că mânerul sunt uscate, curate și fără ulei sau unsoare.
22. **VERIFICAȚI PENTRU A IDENTIFICA EVENTUALELE COMPONENTE DEFECTE.** Înainte de a continua utilizarea aspiratorului, trebuie să verificați cu atenție dispozitivele de protecție sau alte componente care sunt deteriorate, pentru a stabili dacă aspiratorul va funcționa în mod corespunzător. Verificați alinierea componentelor mobile, funcționarea liberă a componentelor mobile, starea fizică a componentelor, montarea sau orice altă stare care ar putea afecta operarea acestuia. Dispozitivele de protecție și orice altă componentă care este deteriorată trebuie să fie reparate în mod corespunzător de către un atelier de service autorizat, cu excepția cazurilor în care se stipulează în mod diferit într-o altă secțiune a acestui manual de instrucțiuni. Reparați întrerupătoarele defecte în cadrul unui centru de service autorizat. Nu utilizați aspiratorul dacă nu îl puteți porni sau opri de la întrerupător.
23. Pentru efectuarea lucrărilor de service de către utilizator, mașina trebuie demontată, curățată și supusă lucrărilor de service în măsura în care este lucru este posibil din punct de vedere rezonabil, fără ca personalul de întreținere sau alte persoane să fie supuse vreunui risc.
24. Dispozitivul trebuie inspectat din punct de vedere tehnic de către producător sau o persoană instruită, cel puțin o dată pe an, iar inspecția trebuie să includă, de exemplu, verificarea filtrelor pentru a detecta eventualele deteriorări, verificarea etanșeității la aer a dispozitivului și funcționarea corespunzătoare a mecanismului de comandă.
25. Atunci când efectuați intervenții de service sau reparație, toate elementele contaminate care nu pot fi curățate în mod satisfăcător trebuie eliminate; respectivele elemente trebuie eliminate utilizând saci impermeabili, în conformitate cu toate reglementările curente privind eliminarea acestui tip de deșeurii.
26. **PIESE DE SCHIMB.** La efectuarea operațiilor de service, utilizați numai piese de schimb identice cu cele înlocuite.
27. **DEPOZIȚAȚI ASPIRATORUL ATUNCI CÂND NU ESTE UTILIZAT.** Atunci când nu este utilizat, aspiratorul trebuie depozitat în spații închise.
28. Filtrele umede și partea interioară a recipientului pentru lichide trebuie uscate înainte de depozitare.
29. Utilizați cu grijă aspiratorul. O manipulare neatență poate cauza defectarea chiar și a celui mai rezistent aspirator.
30. Nu încercați să curățați exteriorul sau interiorul cu benzină, diluant sau alte substanțe chimice de curățare. Pot apărea fisuri și decolorare.

31. Nu utilizați aspiratorul într-un spațiu închis în care vapori inflamabili, explozivi sau toxici sunt emanați de vopsea pe bază de ulei, benzină, unele substanțe de tratare chimică împotriva moliiilor etc. sau în zone în care este prezent praf inflamabil.
32. Nu utilizați acest aspirator sau orice altă unealtă atunci când vă aflați sub influența medicamentelor sau alcoolului.
33. Ca regulă de bază de siguranță, utilizați ochelari de protecție sau ochelari de protecție cu apărători laterale.
34. Utilizați o mască de praf în condiții de lucru cu praf.
35. Acest aparat nu este destinat utilizării de către persoane, inclusiv copii, cu capacități fizice, senzoriale sau mentale reduse sau cu lipsă de experiență și cunoștințe.
36. Copiii trebuie supravegheați pentru a vă asigura că nu se joacă cu aspiratorul.
37. Nu manipulați niciodată acumulatorul (acumulatorii) și aspiratorul cu mâinile ude.
38. Acordați o atenție specială la curățarea pe trepte.
39. Nu utilizați aspiratorul pe post de scaun sau ca banc de lucru. Acesta poate cădea, cauzând accidentări.

Utilizarea și îngrijirea acumulatorului mașinii

1. Efectuați reîncărcarea numai cu încărcătorul specificat de producător. Un încărcător adecvat pentru un anumit tip de acumulator poate prezenta risc de incendiu dacă este utilizat cu alt tip de acumulator.
2. Folosiți mașinile electrice numai cu acumulatorii special destinați acestora. Utilizarea altor acumulatori poate prezenta risc de rănire și de incendiu.
3. Când nu folosiți cartușul de acumulatori, țineți-l la distanță de obiecte metalice precum agrafe de birou, monede, chei, cuie, șuruburi sau alte obiecte metalice mici, ce pot constitui o legătură între cele două borne. Scurtcircuitarea bornelor acumulatorului poate provoca arsuri sau incendii.
4. În condiții extreme, lichidul poate fi eliminat din acumulator; evitați contactul cu acesta. Dacă intrați în contact accidental, clătiți bine cu apă zona afectată. Dacă lichidul intră în contact cu ochii, consultați și un medic. Lichidul eliminat din acumulator poate provoca iritații sau arsuri.
5. Nu utilizați un acumulator sau o unealtă care este avariată sau modificată. Bateriile avariate sau modificate pot prezenta comportament imprevizibil ce poate cauza incendii, explozii sau risc de rănire.
6. Nu expuneți un acumulator sau o unealtă la foc sau la temperaturi excesive. Expunerea la foc sau la temperaturi mai mari de 130 °C poate cauza explozii.
7. Urmați toate instrucțiunile de încărcare și nu încărcați acumulatorul sau unealta la temperaturi din afara intervalului specificat în instrucțiuni. Încărcarea incorectă sau la temperaturi din afara intervalului specificat poate cauza deteriorarea bateriei și creșterea riscului de incendiu.

PĂSTRAȚI ACESTE INSTRUCȚIUNI.

⚠️ AVERTIZARE: NU permiteți comodității și familiarizării cu produsul (obținute prin utilizare repetată) să înlocuiască respectarea strictă a normelor de securitate pentru acest produs. FOLOSIREA INCORECTĂ sau nerespectarea normelor de securitate din acest manual de instrucțiuni poate provoca vătămări corporale grave.

Instrucțiuni importante privind siguranța pentru cartușul acumulatorului

1. Înainte de a folosi cartușul acumulatorului, citiți toate instrucțiunile și atenționările de pe (1) încărcătorul acumulatorului, (2) acumulator și (3) produsul care folosește acumulatorul.
2. Nu dezasamblați și nu interveniți asupra cartușului acumulatorului. Acest lucru poate cauza incendii, căldură excesivă sau explozii.
3. Dacă timpul de funcționare s-a redus excesiv, întrerupeți imediat funcționarea. Aceasta poate prezenta risc de supraîncălzire, posibile arsuri și chiar explozie.
4. Dacă electrolitul pătrunde în ochi, clătiți bine ochii cu apă curată și consultați imediat un medic. Există risc de orbire.
5. Nu scurtcircuitați cartușul acumulatorului:
 - (1) Nu atingeți bornele cu niciun material conductor.
 - (2) Evitați depozitarea cartușului acumulatorului la un loc cu alte obiecte metalice cum ar fi cuie, monede etc.
 - (3) Nu expuneți cartușul acumulatorului la apă sau ploaie.

Un scurtcircuit al acumulatorului poate provoca un flux puternic de curent electric, supraîncălzire, posibile arsuri și chiar defectarea mașinii.

6. Nu depozitați și nu utilizați mașina și cartușul acumulatorului în locuri în care temperatura poate atinge sau depăși 50 °C (122 °F).
7. Nu incinerati cartușul acumulatorului chiar dacă acesta este grav deteriorat sau complet uzat. Cartușul acumulatorului poate exploda în foc.
8. Nu introduceți cuie în cartușul acumulatorului, nu îl tăiați, striviți, aruncați sau scăpați și nu îl loviți cu un obiect dur. Astfel de acțiuni pot provoca incendii, căldură excesivă sau explozii.
9. Nu utilizați un acumulator deteriorat.
10. Acumulatorii Li-Ion încorporați se supun cerințelor Legislației privind substanțele periculoase. Pentru transporturi comerciale, efectuate de exemplu de către părți terțe, expeditori, trebuie respectate cerințele speciale de ambalare și etichetare. Pentru pregătirea articolului care urmează să fie expediat, este necesară consultarea unui expert în materiale periculoase. Vă rugăm să respectați, de asemenea, reglementările naționale, care pot fi mai detaliate. Izolați sau acoperiți contactele deschise și împachetați acumulatorul în așa fel încât să nu se poată mișca în ambalaj.

Instrucțiuni importante privind siguranța pentru unitatea wireless

11. Atunci când eliminați la deșeuri cartușul acumulatorului, scoateți-l din mașină și eliminați-l într-un loc sigur. Respectați normele naționale privind eliminarea la deșeuri a acumulatorului.
12. Utilizați acumulatorii numai cu produsele specificate de Makita. Instalarea acumulatorilor în produse neconforme poate cauza incendii, căldură excesivă, explozii sau scurgeri de electrolit.
13. Dacă mașina nu este utilizată o perioadă lungă de timp, acumulatorul trebuie scos din acesta.
14. În timpul utilizării și după aceea, cartușul acumulatorului se poate încălzi, ceea ce poate cauza arsuri sau arsuri la temperaturi scăzute. Fiți atenți la manipularea cartușelor de acumulator atunci când sunt fierbinți.
15. Nu atingeți borna mașinii imediat după utilizare, întrucât se poate încălzi foarte tare și poate provoca arsuri.
16. Nu lăsați să pătrundă așchii, praf sau pământ în borne, în orificii și în canelurile cartușului acumulatorului. Acest lucru poate provoca încălzirea, aprinderea, explozia și defectarea mașinii sau a cartușului acumulatorului, cauzând arsuri sau vătămări corporale.
17. Nu utilizați cartușul acumulatorului în apropierea liniilor electrice de înaltă tensiune, cu excepția cazului în care mașina suportă utilizarea în apropierea liniilor electrice de înaltă tensiune. Acest lucru poate duce la funcționarea necorespunzătoare sau la defectarea mașinii sau a cartușului acumulatorului.
18. Țineți acumulatorul la distanță de copii.

PĂSTRAȚI ACESTE INSTRUCȚIUNI.

⚠ATENȚIE: Folosiți numai acumulatori Makita originali. Acumulatorii Makita care nu sunt originali și acumulatorii care au suferit modificări se pot aprinde, provocând incendii, leziuni corporale și daune. De asemenea, anulează garanția oferită de Makita pentru unealta și încărcătorul Makita.

Sfaturi pentru obținerea unei durate maxime de exploatare a acumulatorului

1. Încărcați cartușul acumulatorului înainte de a se descărca complet. Întrerupeți întotdeauna funcționarea mașinii și încărcați cartușul acumulatorului când observați o scădere a puterii mașinii.
2. Nu reîncărcați niciodată un acumulator complet încărcat. Supraîncărcarea va scurta durata de exploatare a acumulatorului.
3. Încărcați cartușul acumulatorului la temperatura camerei, între 10 °C - 40 °C (50 °F - 104 °F). Lăsați un acumulator fierbinte să se răcească înainte de a-l încărca.
4. Atunci când nu utilizați cartușul acumulatorului, scoateți-l din mașină sau din încărcător.
5. Încărcați cartușul acumulatorului în cazul în care nu a fost utilizat pe o perioadă mai lungă (mai mult de șase luni).

1. Nu deschideți niciodată singur clapeta de închidere a fantei după instalarea unității wireless.
2. Nu dezasaamblați sau interveniți asupra unității wireless.
3. Țineți unitatea wireless la distanță de copii mici. Dacă este înghițită accidental, consultați imediat un medic.
4. Utilizați unitatea wireless numai cu mașini Makita.
5. Nu expuneți unitatea wireless la ploaie sau la condiții de umiditate.
6. Nu utilizați unitatea wireless în locuri unde temperatura depășește 50 °C.
7. Nu operați unitatea wireless în apropierea unor instrumente medicale, precum stimulatorul cardiac.
8. Nu operați unitatea wireless în apropierea unor dispozitive automate. Dacă sunt operate, dispozitivele automate pot dezvolta funcționări defectuoase sau erori.
9. Nu operați unitatea wireless în locuri cu temperaturi ridicate sau în locuri în care s-ar putea genera electricitate statică sau zgomot electric.
10. Unitatea wireless poate produce câmpuri electromagnetice (CEM), însă acestea nu sunt dăunătoare pentru utilizator.
11. Unitatea wireless este un instrument de precizie. Aveți grijă să nu scăpați sau să loviți unitatea wireless.
12. Evitați să atingeți borna unității wireless cu mâinile neacoperite sau cu materiale metalice.
13. Scoateți întotdeauna acumulatorul din produs atunci când instalați unitatea wireless în acesta.
14. Atunci când deschideți clapeta de închidere a fantei, evitați locurile unde praful sau apa poate pătrunde în fantă. Mențineți întotdeauna curat orificiul de admisie al fantei.
15. Introduceți întotdeauna unitatea wireless în direcția corectă.
16. Nu apăsați cu forță excesivă butonul de activare wireless de pe unitatea wireless și/sau nu apăsați butonul cu un obiect cu o margine ascuțită.
17. Închideți întotdeauna clapeta de închidere a fantei atunci când lucrați.
18. Nu scoateți unitatea wireless din fantă în timp ce mașina este alimentată cu energie. În caz contrar, unitatea wireless poate funcționa defectuos.
19. Nu îndepărtați autocolantul de pe unitatea wireless.
20. Nu aplicați niciun autocolant pe unitatea wireless.
21. Nu lăsați unitatea wireless într-un loc unde s-ar putea genera electricitate statică sau zgomot electric.
22. Nu lăsați unitatea wireless într-un loc supus temperaturilor ridicate, cum ar fi o mașină parcată în soare.

23. Nu lăsați unitatea wireless într-un loc în care se produce praf sau pulbere sau într-un loc unde s-ar putea genera gaze corozive.
24. Schimbarea bruscă de temperatură poate duce la înrouarea unității wireless. Nu utilizați unitatea wireless înainte ca picăturile de rouă să se fi uscat complet.
25. Atunci când curățați unitatea wireless, ștergeți delicat cu o lavetă moale și uscată. Nu utilizați benzină, diluant, vâșelină conductivă sau alt produs similar.
26. Atunci când depozitați unitatea wireless, păstrați-o în cutia furnizată sau într-un recipient fără electricitate statică.
27. Nu introduceți în fantă de pe mașină alte dispozitive în afară de unitatea wireless Makita.
28. Nu utilizați mașina dacă clapeta de închidere a fantei este deteriorată. Apa, praful și murdăria care pătrund în fantă pot provoca defectarea.
29. Nu trageți și/sau răsuciți clapeta de închidere mai mult decât este necesar. Puneți la loc clapeta de închidere dacă se desprinde de pe mașină.
30. Înlocuiți clapeta de închidere a fantei dacă se pierde sau dacă este deteriorată.

PĂSTRAȚI ACESTE INSTRUCȚIUNI.

DESCRIEREA FUNCȚIILOR

ATENȚIE: Asigurați-vă întotdeauna că aparatul este oprit și cartușele acumulatorului sunt scoase înainte de a ajusta sau de a verifica funcționarea aparatului.

Instalarea sau scoaterea cartușului acumulatorului

ATENȚIE: Opriti întotdeauna mașina înainte de instalarea sau scoaterea cartușului acumulatorului.

ATENȚIE: Țineți ferm aspiratorul și cartușul acumulatorului la instalarea sau scoaterea cartușului. În cazul în care nu țineți ferm aspiratorul și cartușul acumulatorului, acestea vă pot aluneca din mâini, rezultând defectarea aspiratorului și a cartușului acumulatorului, precum și accidentări.

ATENȚIE: Acordați atenție pentru a nu vă prinde degetele la deschiderea și închiderea capacului acumulatorului. În caz contrar, există pericol de vătămare corporală.

Pentru a instala cartușul acumulatorului, eliberați mai întâi încuietorea și apoi deschideți capacul acumulatorului. După aceea, introduceți cartușul acumulatorului.

► **Fig.1:** 1. Încuietorea 2. Capacul acumulatorului

Aliniați limba de pe cartușul acumulatorului cu canelura din carcasă și introduceți-l în locaș. Introduceți-l complet, până când se înclinătează în locaș. Apoi blocați capacul acumulatorului.

► **Fig.2:** 1. Cartușul acumulatorului 2. Buton

Pentru a scoate cartușul acumulatorului, glisați-l afară din mașină în timp ce glisați butonul de pe partea frontală a cartușului.

ATENȚIE: Întotdeauna introduceți complet cartușul acumulatorului. În caz contrar, acesta poate cădea accidental din aspirator provocând accidentarea dumneavoastră sau a persoanelor din jur.

ATENȚIE: Nu forțați cartușul acumulatorului la montare. Dacă acesta nu glisează ușor, înseamnă că a fost introdus incorect.

NOTĂ: Aspiratorul nu funcționează doar cu un singur cartuș de acumulator.

Indicarea capacității rămase a acumulatorului

Apăsăți butonul de verificare de pe cartușul acumulatorului, astfel încât să se indice capacitățile rămase ale acumulatorului. Lămpile indicatorului vor lumina timp de câteva secunde.

► **Fig.3:** 1. Lămpi indicatoare 2. Buton de verificare

Lămpi indicatoare			Capacitate rămasă
Iluminat	Oprit	Iluminare intermitentă	
■ ■ ■ ■			între 75% și 100%
■ ■ ■ □			între 50% și 75%
■ ■ □ □			între 25% și 50%
■ □ □ □			între 0% și 25%
▬ □ □ □			Încărcați acumulatorul.
■ ■ □ □			Este posibil ca acumulatorul să fie defect.
□ □ ■ ■			

NOTĂ: În funcție de condițiile de utilizare și temperatura ambientală, indicația poate fi ușor diferită de capacitatea reală.

NOTĂ: Prima lampă indicatoare (extremitatea stângă) va lumina intermitent când sistemul de protecție a acumulatorului funcționează.

Indicatoarele acumulatorului de pe panoul de control

Capacitatea rămasă a acumulatorului poate fi citită ori-când pe panoul de control. Apăsăți butonul de verificare, iar indicatoarele din stânga și din dreapta vor afișa nivelul de încărcare a acumulatorului în mod corespunzător.

► **Fig. 4:** 1. Indicator acumulator stânga 2. Indicator acumulator dreapta 3. Buton de verificare

► **Fig. 5**

Stare indicator acumulator			Capacitatea rămasă a acumulatorului
Pornit	Oprit	Iluminare intermitentă	
			între 50% și 100%
			între 20% și 50%
			între 0% și 20%
			Încărcați acumulatorul
			Cartușul nu a fost introdus

NOTĂ: Indicatorul acumulatorului funcționează atunci când sunt introduse două acumuloare.

NOTĂ: Indicatoarele acumulatorului vor fi activate și atunci când aspiratorul începe să funcționeze.

Sistem de protecție aparat/acumulator

Aparatul este echipat cu un sistem de protecție a aparatului/acumulatorului. Acest sistem întrerupe automat alimentarea motorului pentru a prelungi durata de funcționare a aparatului și a acumulatorului. Aparatul se va opri automat în timpul funcționării dacă aparatul sau acumulatorul se află într-una dintre situațiile următoare:

Protecție la suprasarcină

Când aparatul/acumulatorul este utilizat într-un mod care duce la un consum de curent anormal de ridicat, aparatul se va opri automat. În această situație, opriți aparatul și întrerupeți aplicația care a dus la suprasolicitare. Apoi, reporniți aparatul.

Protecție la supraîncălzire

<input type="checkbox"/> Pornit	<input checked="" type="checkbox"/> Iluminare intermitentă

Când aparatul este supraîncălzit, acesta se oprește automat și ambele indicatoare ale acumulatorului din dreapta și din stânga luminează intermitent. În această situație, lăsați aparatul să se răcească și curățați filtrele înainte de a-l reporni.

<input type="checkbox"/> Pornit	<input checked="" type="checkbox"/> Iluminare intermitentă

Când bateria este supraîncălzită, aparatul se oprește automat și unul dintre indicatoarele de supraîncălzire luminează intermitent. În această situație, lăsați acumulatorul să se răcească înainte de a porni din nou aparatul.

Protecție la supradescărcare

Când capacitatea acumulatorului scade, aparatul se oprește automat. Dacă aparatul nu funcționează la acționarea întrerupătoarelor, scoateți acumulatorii din aparat și încărcați-i.

Măsurile de protecție împotriva altor cauze

Sistemul de protecție este, de asemenea, conceput pentru alte cauze care ar putea deteriora aparatul și permite aparatului să se oprească automat. Parcurgeți toți pașii următori pentru a elimina cauzele, atunci când aparatul a fost oprit temporar sau a fost scos din funcțiune.

1. Opriți aparatul, apoi porniți-l din nou pentru a reporni.
2. Încărcați acumulatorul (acumulatorii) sau înlocuiți-l (înlocuiți-i) cu un acumulator (acumulatori) încărcat (încărcați).
3. Lăsați aparatul și acumulatorul (acumulatorii) să se răcească.

Dacă nu se poate observa nicio îmbunătățire prin resetarea sistemului de protecție, contactați centrul local de service Makita.

Aționarea întrerupătorului

Pornirea aspiratorului

1. Rotiți comutatorul de stare de așteptare în poziția „I” (PORNIT) sau „AUTO” (PORNIT) pentru a aduce aspiratorul în modul de așteptare.
2. Apăsăți butonul de pornire. Pentru a reveni la modul de așteptare, apăsați din nou butonul de pornire.

Oprirea aspiratorului

Efectuați unul dintre pașii următori.

- Apăsăți butonul de pornire pentru a aduce aspiratorul din nou în modul de așteptare.
- Rotiți comutatorul de stare de așteptare în poziția „O” (OPRIT).

Reglarea puterii de aspirație

Puterea de aspirație poate fi reglată conform necesităților dumneavoastră de lucru.

- Rotiți butonul rotativ de reglare a forței de aspirație spre stânga pentru a reduce puterea de aspirație.
- Rotiți butonul rotativ de reglare a forței de aspirație spre dreapta pentru a crește puterea de aspirație.

Selectarea diametrului furtunului

Rotiți butonul pentru selectarea diametrului furtunului pentru a alege diametrul furtunului pe care-l veți utiliza.

NOTĂ: Nu rotiți butonul selector alegând un spațiu dintre numere. Rotiți butonul selector întotdeauna în funcție de diametrul furtunului.

► **Fig.6:** 1. Comutator de stare de așteptare 2. Buton rotativ de reglare a forței de aspirație 3. Buton pentru selectarea diametrului furtunului 4. Buton de pornire

NOTĂ: Setati întotdeauna comutatorul de stare de așteptare pe partea „O” dacă nu utilizați aspiratorul o perioadă îndelungată. Aspiratorul consumă energie în timpul stării de așteptare.

Semnal sonor de avertizare

Semnalele sonore sunt de două feluri. Unul este un semnal sonor scurt, iar al doilea este un semnal sonor continuu.

- Atunci când viteza fluxului de aer scade sub 20 m/s, aspiratorul emite semnale sonore scurte de avertizare pentru siguranță. La emiterea semnalelor sonore, verificați butonul pentru selectarea diametrului furtunului sau dacă forța de aspirație nu este prea mică. Dacă semnalele sonore continuă să se audă, efectuați lucrări de întreținere sau adresați-vă centrului de service local.
- Atunci când rezervorul este plin cu lichid, aspiratorul emite semnale sonore continue de avertizare și se oprește automat. După ce aspiratorul se oprește, oprți alimentarea și goliți rezervorul.

Oprire automată a aspirației în timpul operației de aspirare umedă

⚠️ AVERTIZARE: Nu colectați spumă sau lichide cu săpun. Acest lucru ar putea cauza ieșirea spumei prin orificiile de aer. Continuarea utilizării în această stare poate cauza un șoc electric și defectarea aspiratorului.

Aspiratorul are un mecanism care previne pătrunderea apei în motor atunci când se depășește cantitatea de apă care poate fi colectată. Atunci când rezervorul este plin cu lichid, aspiratorul emite semnale sonore continue de avertizare și se oprește automat. După ce aspiratorul se oprește, oprți alimentarea și goliți rezervorul.

Sistem de curățare a filtrului

Acest aparat are instalat un sistem de curățare a filtrelor. În timpul utilizării aparatului, sistemul de curățare a filtrelor șterge automat praful de pe filtre pentru a preveni scăderea forței de aspirație din cauza înfundării filtrelor.

Dacă aparatul aspiră o cantitate mare de praf dintr-o dată, forța de aspirație poate scădea. În acest caz, se recomandă curățarea manuală a filtrelor.

1. Oprți aparatul.
2. Reglați puterea de aspirare la maximum, apoi acoperiți cu palma deschiderea furtunului de aspirare.

3. Porniți aparatul și lăsați-l să funcționeze timp de aproximativ 15 secunde ținând acoperită deschiderea furtunului de aspirare.

► **Fig.7:** 1. Deschiderea furtunului de aspirare

NOTĂ: Volumul de aer se poate modifica în timp ce sistemul de curățare a filtrului este activat, dar acesta nu este defect.

Scurgerea apei

Când rezervorul este plin cu lichid, oprți aspiratorul și deschideți capacul pentru scurgerea apei pentru a goli rezervorul.

► **Fig.8:** 1. Capac pentru scurgerea apei

Capacul

Capacul este furnizat cu aparatul. Montarea capacului la portul de conectare a furtunului previne ca praful aspirat să iasă din aspirator.

► **Fig.9:** 1. Capac

Blocarea și deblocarea rotilor

Rotilele din față pot fi blocate cu ajutorul unor opritoare pentru a ajuta aspiratorul să rămână nemișcat. Coborâți manual pârghia opritoare pentru a bloca roțile și ridicați-o pentru a o elibera.

► **Fig.10:** 1. Aparat de turnat 2. Pârghie opritoare 3. Poziție FREE (Liber) 4. Poziție LOCK (Blocare)

NOTĂ: La mutarea aspiratorului, asigurați-vă că roțile este deblocate. Mutarea aspiratorului cu roțile în poziție blocată poate cauza defectarea rotilor.

Mâner pentru transport

⚠️ ATENȚIE: Ridicați și transportați aparatul cu mare grijă. În caz contrar, se pot produce accidentări sau aparatul poate fi deteriorat.

Când transportați aspiratorul, purtați-l ținând de mânerul aflat pe unitatea principală. Mânerul este retractabil pe unitatea principală atunci când nu este utilizat.

► **Fig.11**

Dacă nu puteți transporta aparatul singur, transportați-l în doi, ca în imagine.

► **Fig.12**

► **Fig.13**

ASAMBLARE

⚠️ AVERTIZARE: Acest aparat poate conține praf periculos. La înlocuirea elementelor de filtrare și a sacului de praf sau la efectuarea întreținerii, utilizați întotdeauna o mască de respirat P2.

⚠️ ATENȚIE: Asigurați-vă întotdeauna că aparatul este oprit, iar cartușele acumulatorului sunt scoase, înainte de a executa orice acțiune asupra aparatului.

Instalarea și eliminarea sacului filtrant

⚠️ AVERTIZARE: Folosiți întotdeauna o mască de respirat P2.

⚠️ AVERTIZARE: Înainte de a utiliza sacul filtrant, asigurați-vă că este folosit cu unitatea de filtrare. Neutilizarea cu unitatea de filtrare poate cauza zgomote anormale și căldură, cu risc de apariția a unui incendiu.

⚠️ AVERTIZARE: Atunci când utilizați aparatul ca aparat din clasa de praf M, asigurați-vă întotdeauna că utilizați sacul filtrant.

NOTĂ: Nu colectați niciodată apă sau alte lichide sau pulberi umede atunci când utilizați un sac filtrant. Colectarea unor astfel de materiale poate cauza distrugerea sacului filtrant.

1. Eliberați cârligele de blocare și ridicați unitatea principală de pe rezervor.

► Fig.14: 1. Cârlig de blocare

2. Desfaceți un sac filtrant.

3. Aliniați deschiderea sacului filtrant cu gura de admisie a prafului în rezervor.

4. Introduceți cartonul sacului filtrant pe mașină astfel încât să fie poziționat la capătul aflat dincolo de proeminența de decuplare.

► Fig.15: 1. Sac filtrant 2. Deschiderea cartonului
3. Support de sac filtrant 4. Gură de admisie praf 5. Margine

Atunci când aruncați sacul filtrant, trageți marginea pe gura sacului filtrant astfel încât gura să fie închisă de o hârtie.

Instalarea sacului din polietilenă

Accesorii opționale

Așezați un sac din polietilenă peste rezervor și trageți o parte a marginii superioare a sacului spre deschizătura sa, între placa de suport și peretele frontal al rezervorului.

Apoi, desfășurați celelalte margini superioare ale sacului spre exterior peste marginile superioare ale rezervorului.

Se poate folosi un sac din polietilenă cu sacul filtrant.

► Fig.16: 1. Placă suport 2. Peretele frontal al rezervorului 3. Sac din polietilenă

NOTĂ: Poate fi utilizat un sac din polietilenă disponibil în comerț. Se recomandă o grosime de peste 0,04 mm și un perimetru de peste 2.000 mm.

NOTĂ: Prea mult praf va rupe cu ușurință sacul din polietilenă, așadar nu îl umpleți prea mult. Eliminarea sacului greu poate fi o povară pentru o persoană.

Golirea rezervorului cu ajutorul unui sac din polietilenă

⚠️ AVERTIZARE: Asigurați-vă întotdeauna că aspiratorul este oprit și cartușele acumulatorului sunt scoase înainte de a goli rezervorul. În caz contrar, pot apărea șocuri electrice și vătămări corporale grave.

NOTĂ: Goliți rezervorul cel puțin o dată pe zi, deși acest lucru depinde de volum de praf colectat în rezervor. În caz contrar, forța de aspirație se va reduce, iar motorul se poate defecta.

NOTĂ: Nu prindeți aparatul de cârlige de blocare atunci când goliți rezervorul. Acest lucru poate cauza ruperea cârligelor de blocare.

1. Eliberați cârligele de blocare și ridicați unitatea principală de pe rezervor.

2. Scoateți sacul din polietilenă din rezervor, închizând manual deschiderea sacului.

► Fig.17: 1. Sac din polietilenă 2. Rezervor

NOTĂ: Scoateți cu atenție sacul din polietilenă din rezervor pentru a evita zgărirea și ruperea marginilor din interiorul rezervorului.

NOTĂ: Goliți sacul din polietilenă înainte de a deveni plin. Prea mult praf în rezervor va cauza ruperea sacului din polietilenă.

Instalarea furtunului

NOTĂ: Nu forțați niciodată furtunul îndoindu-l sau strivindu-l. Nu mutați niciodată aspiratorul trăgând de furtun. Forțarea, strivirea și tragerea furtunului pot cauza distrugerea sau deformarea acestuia.

NOTĂ: La colectarea unor reziduuri de mari dimensiuni, precum așchii de la mașina de rindeluit, praf de beton sau alte materiale similare, utilizați furtunul cu un diametru interior de 38 mm (accesoriu opțional). Utilizarea unui furtun (accesoriu opțional) cu un diametru interior de 28 mm poate cauza înfundarea și distrugerea acestuia.

NOTĂ: Puneți întotdeauna capacul pe portul de montare ori de câte ori scoateți furtunul din aspirator.

Conectarea la aspirator

Scoateți capacul de pe portul de montare. Capacul poate fi depozitat pe spatele aspiratorului cât timp furtunul este conectat la aspirator.

► Fig.18: 1. Capac

Introduceți capătul furtunului în gura de admisie a prafului (intrarea furtunului) a aspiratorului, apoi rotiți-l în sens orar până când se blochează în poziție.

► Fig.19: 1. Furtun 2. Gură de admisie a prafului (intrarea furtunului)

Conectarea cu uneltele dvs. de lucru (Diferă în funcție de țară)

Prin conectarea aspiratorului la orice instrument de lucru disponibil compatibil cu aspiratorul, acesta funcționează ca un accesoriu de extragere a prafului pentru uneltele dvs. electrice.

Selectați una dintre garniturile frontale sau îmbinări (accesorii opționale), în funcție de ceea ce se potrivește cel mai bine pentru modelul dvs. de uneltă. Așezați garniturile sau îmbinarea, după cum este necesar, între capătul frontal al furtunului aspiratorului și un orificiu de extragere a prafului de la uneltele dumneavoastră.

► Fig.20: 1. Garnituri frontale sau îmbinări 2. Furtun aspirator 3. Uneltă electrică 4. Aspirator

Montarea sau demontarea accesoriilor de aspirare

ATENȚIE: După montarea unui accesoriu, verificați dacă acesta este fixat ferm. În cazul în care accesoriul este montat necorespunzător, acesta se poate desprinde, cauzând vătămări corporale.

Când utilizați accesoriul fără funcție de blocare

Accesoriu opțional

Introduceți un accesoriu în orificiul de aspirație al aspiratorului, împingându-l și înșurubându-l manual. Răsuciți manual și trageți accesoriul separat de orificiul de aspirație după utilizare.

► Fig.21

Instalare MAKPAC

Accesoriu opțional

ATENȚIE: Nu vă urcați și nu vă așezați pe partea superioară a aparatului. Acesta poate cădea din cauza instabilității.

ATENȚIE: Operați cu grijă atunci când instalați MAKPAC. În caz contrar, se pot produce accidente sau aparatul poate fi deteriorat.

ATENȚIE: Când MAKPAC este instalat pe aparat, nu ridicați aparatul apucând de mânerul MAKPAC.

ATENȚIE: Atunci când deplasați aparatul pe care este instalat MAKPAC, nu împingeți MAKPAC, ci corpul aparatului. Dacă împingeți MAKPAC puteți rupe încuietorile și MAKPAC poate cădea, ceea ce poate duce la vătămări corporale.

Carcasele de depozitare a MAKPAC care pot fi conectate și stivuite pot fi instalate deasupra aspiratorului. Carcasele sunt disponibile în mai multe dimensiuni și stiluri pentru a se potrivi preferințelor dumneavoastră.

1. Desfaceți încuietorile de pe partea superioară a aspiratorului.
► Fig.22: 1. Încuietoare

2. Montați carcasa MAKPAC pe partea superioară a aspiratorului și fixați-le cu încuietori.
► Fig.23: 1. Încuietoare 2. MAKPAC

Înălțimea și greutatea maxime pentru instalarea MAKPAC sunt 315 mm și, respectiv, 20 kg.

► Fig.24

OPERAREA

AVERTIZARE: Utilizați întotdeauna o mască respiratorie P2.

ATENȚIE: Dacă din aparat iese spumă sau lichid, opriți-l imediat. Continuarea utilizării în această stare poate cauza un șoc electric și defectarea aspiratorului.

FUNCȚIA DE ACTIVARE WIRELESS

Accesoriu opțional

Ce puteți face cu funcția de activare wireless

Funcția de activare wireless face posibilă o utilizare curată și confortabilă. Conectând o mașină acceptată la aparatul de curățat, puneți rula automat aparatul de curățat, împreună cu operația de comutare a mașinii.

► Fig.25

NOTĂ: Rețineți să consultați manualul de instrucțiuni al instrumentului atunci când utilizați aparatul de curățat cu funcția de activare wireless.

NOTĂ: Nu dezasamblați sau interveniți asupra unității wireless.

NOTĂ: Pentru a preveni pătrunderea prafului în fanta unității wireless, întotdeauna închideți ferm capacul în timpul funcționării și al depozitării.

NOTĂ: Nu apăsați cu forță excesivă butonul de activare wireless și/sau nu apăsați butonul cu un obiect cu o margine ascuțită.

NOTĂ: Activarea wireless necesită mașini Makita echipate cu unitatea wireless.

NOTĂ: Înainte de utilizarea inițială a funcției de activare wireless cu fiecare mașină, este necesară înregistrarea mașinii. Odată ce înregistrarea mașinii este finalizată, o reînregistrare nu va fi necesară atât timp cât înregistrarea nu este anulată.

NOTĂ: Înainte de înregistrare, asigurați-vă că unitatea wireless este introdusă corect.

NOTĂ: O unitate wireless poate înregistra până la 10 legături cu alte unități wireless. Dacă la o unitate wireless sunt înregistrate mai mult de 10 unități wireless, unitatea înregistrată prima va fi anulată automat.

NOTĂ: Poziția butonului de activare wireless variază în funcție de mașină.

NOTĂ: Aparatul de curățat pornește de asemenea la apăsarea butonului de pornire atunci când comutatorul de stare de așteptare este setat pe „AUTO”. Cu toate acestea, butonul de pornire nu va acționa atunci când funcția de activare wireless este utilizată.

Instalarea unității wireless

⚠️ AVERTIZARE: Deschideți clapeta de închidere numai când instalați unitatea wireless pentru prima dată. Nu deschideți niciodată clapeta de închidere după ce ați instalat-o.

⚠️ ATENȚIE: Așezați aspiratorul pe o suprafață plană și stabilă atunci când instalați unitatea wireless.

NOTĂ: Curățați praful și murdăria de pe aspirator înainte de a instala unitatea wireless. Praful sau murdăria poate cauza funcționarea defectuoasă dacă pătrunde în fanta unității wireless.

NOTĂ: Pentru a preveni funcționarea defectuoasă cauzată de energia statică, atingeți un material de descărcare statică, precum o parte din metal, înainte de a ridica unitatea wireless.

NOTĂ: Atunci când instalați unitatea wireless, asigurați-vă întotdeauna de introducerea unității wireless în direcția corectă și de închiderea completă a clapetei de închidere.

1. Slăbiți șuruburile ca să deschideți clapeta de închidere de pe aspirator după cum se vede în figură.

► **Fig.26:** 1. Clapetă de închidere 2. Șurub

2. Introduceți unitatea wireless în fantă.

Atunci când introduceți unitatea wireless, aliniați proeminențele cu porțiunile înfundate de pe fantă.

► **Fig.27:** 1. Unitate wireless 2. Proeminență 3. Clapetă de închidere 4. Porțiune înfundată

3. Strângeți complet șurubul ca să închideți clapeta de închidere.

Înregistrarea mașinii pentru aparatul de curățat

NOTĂ: Pentru înregistrarea mașinii este necesară o mașină Makita care acceptă funcția de activare wireless.

NOTĂ: Finalizați instalarea unității wireless la mașină înainte de a începe înregistrarea mașinii.

NOTĂ: În timpul înregistrării mașinii, nu trageți butonul declanșator de pe mașină și nu porniți întrerupătorul de pornire/oprire de pe aparatul de curățat.

NOTĂ: Consultați de asemenea manualul de instrucțiuni al mașinii.

Dacă doriți să activați aparatul de curățat odată cu operația de comutare a mașinii, finalizați mai întâi înregistrarea mașinii.

1. Instalați unitățile wireless la aspirator și la mașină.

2. Instalați acumulatorii la aparatul de curățat și la mașină.

3. Setează comutatorul de stare de așteptare de pe aparatul de curățat pe „AUTO”.

► **Fig.28:** 1. Comutator de stare de așteptare

4. Apăsăți butonul de activare wireless de pe aparatul de curățat timp de 3 secunde până când lampa de activare wireless luminează intermitent cu verde. Apoi, apăsați butonul de activare wireless de pe mașină în același mod.

► **Fig.29:** 1. Buton de activare wireless 2. Lampă de activare wireless

Dacă aparatul de curățat și mașina sunt conectate cu succes, lămpile de activare wireless se vor aprinde cu verde timp de 2 secunde și vor începe să lumineze intermitent cu albastru.

NOTĂ: Lămpile de activare wireless încetează să lumineze intermitent cu verde după scurgerea a 20 de secunde. Apăsăți butonul de activare wireless de pe mașină în timp ce lampa de activare wireless de pe aparatul de curățat luminează intermitent. Dacă lampa de activare wireless nu luminează intermitent cu verde, apăsați scurt butonul de activare wireless și țineți-l din nou apăsat.

NOTĂ: Atunci când efectuați două sau mai multe înregistrări ale mașinii pentru aparatul de curățat, finalizați pe rând fiecare înregistrare.

Pornirea funcției de activare wireless

NOTĂ: Finalizați înregistrarea mașinii pentru aparatul de curățat pentru activarea wireless.

NOTĂ: Amplasați întotdeauna aparatul de curățat astfel încât să puteți vedea starea lămpii de activare wireless.

NOTĂ: Consultați de asemenea manualul de instrucțiuni al mașinii.

După înregistrarea unei mașini la aparatul de curățat, acesta va rula automat, împreună cu operația de comutare a mașinii.

1. Instalați unitățile wireless la aspirator și la mașină.

2. Instalați acumulatorii la aparatul de curățat și la mașină.

3. Conectați furtunul aparatului de curățat la mașină.

► **Fig.30**

4. Setează comutatorul de stare de așteptare de pe aparatul de curățat pe „AUTO”.

► **Fig.31:** 1. Comutator de stare de așteptare

5. Apăsăți scurt butonul de activare wireless de pe mașină. Lampa de activare wireless va lumina intermitent cu albastru.

► **Fig.32:** 1. Buton de activare wireless 2. Lampă de activare wireless

6. Porniți mașina. Verificați dacă aparatul de curățat funcționează în timp ce mașina este în funcțiune.

⚠️ ATENȚIE: Verificați întotdeauna dacă funcția de activare wireless funcționează înainte de a începe utilizarea mașinii.

Pentru a opri activarea wireless, apăsați butonul de activare wireless de pe mașină sau setați comutatorul de stare de așteptare de pe aparatul de curățat pe „I” sau „O”.

NOTĂ: Lampa de activare wireless de pe mașină va înceta să lumineze intermitent cu albastru atunci când nu există funcționare timp de 2 ore. În acest caz, setați comutatorul de stare de așteptare de pe aparatul de curățat pe „AUTO” și apăsați din nou butonul de activare wireless.

NOTĂ: Aparatul de curățat pornește/se oprește cu o amânare. Există o întârziere atunci când aparatul de curățat detectează o operație de comutare a mașinii.

NOTĂ: Distanța de transmisie a unității wireless poate varia în funcție de locație și circumstanțele aferente.

NOTĂ: Atunci când două sau mai multe mașini sunt înregistrate la un aparat de curățat, acesta poate începe să funcționeze chiar dacă nu porniți mașina, deoarece un alt utilizator folosește funcția de activare wireless.

Anularea înregistrării mașinii pentru aparatul de curățat

Efectuați următoarea procedură atunci când anulati înregistrarea mașinii pentru aparatul de curățat.

1. Instalați unitățile wireless la aspirator și la mașină.
2. Instalați acumulatorii la aparatul de curățat și la mașină.
3. Setați comutatorul de stare de așteptare de pe aparatul de curățat pe „AUTO”.

► **Fig.33:** 1. Comutator de stare de așteptare

4. Apăsați butonul de activare wireless de pe aparatul de curățat timp de 6 secunde. Lampă de activare wireless luminează intermitent cu verde și apoi devine roșie. După aceasta, apăsați butonul de activare wireless de pe mașină în același mod.

► **Fig.34:** 1. Buton de activare wireless 2. Lampă de activare wireless

Dacă anularea este efectuată cu succes, lămpile de activare wireless se vor aprinde cu roșu timp de 2 secunde și vor începe să lumineze intermitent cu albastru.

NOTĂ: Lămpile de activare wireless încetează să lumineze intermitent cu roșu după scurgerea a 20 de secunde. Apăsați butonul de activare wireless de pe mașină în timp ce lampa de activare wireless de pe aparatul de curățat luminează intermitent. Dacă lampa de activare wireless nu luminează intermitent cu roșu, apăsați scurt butonul de activare wireless și țineți-l din nou apăsat.

Ștergerea tuturor înregistrărilor mașinilor

Puteți șterge toate înregistrările mașinilor de la aparatul de curățat după cum urmează.

► **Fig.35:** 1. Comutator de stare de așteptare 2. Buton de activare wireless 3. Lampă de activare wireless











1. Instalați unitatea wireless la aspirator.
2. Instalați acumulatorii la aparatul de curățat.
3. Setați comutatorul de stare de așteptare pe „AUTO”.
4. Țineți apăsat butonul de activare wireless timp de aproximativ 6 secunde, până când lampa de activare wireless luminează intermitent cu roșu (de aproximativ două ori pe secundă).
5. Atunci când lampa de activare wireless începe să lumineze intermitent cu roșu, ridicați degetul de pe butonul de activare wireless. Apoi, țineți din nou apăsat butonul de activare wireless timp de aproximativ 6 secunde.
6. Atunci când lampa de activare wireless începe să lumineze intermitent rapid (de aproximativ 5 ori pe secundă) cu roșu, ridicați degetul de pe butonul de activare wireless. Atunci când lampa de activare wireless se aprinde în culoarea roșie și ulterior se stinge, toate înregistrările mașinilor sunt șterse.

NOTĂ: Dacă lampa de activare wireless nu luminează intermitent cu roșu, apăsați scurt butonul de activare wireless și încercați din nou.

Descrierea stării lămpii de activare wireless

► **Fig.36:** 1. Buton de activare wireless 2. Lampă de activare wireless

Lampa de activare wireless indică starea funcției de activare wireless. Consultați tabelul de mai jos pentru semnificația stării lămpii.

Stare	Lampă de activare wireless			Descriere
	Culoare	 Pornit	 Iluminare intermitentă	
Standby	Albastru		Aparat de curățat: continuu Mașină: 2 ore	Se așteaptă înregistrarea mașinii sau funcția de activare wireless este disponibilă. Lampa de pe aparatul de curățat luminează intermitent atunci când comutatorul de stare de așteptare este setat pe AUTO. Lampa de pe mașină luminează intermitent atunci când butonul de activare wireless este apăsat. Lampa de pe mașină se va stinge automat atunci când nu are loc nicio operație timp de 2 ore.
			Atunci când mașina este în funcțiune.	Activarea wireless a aparatului de curățat este disponibilă și mașina este în funcțiune.
Înregistrarea mașinii	Verde		20 secunde	Gata pentru înregistrarea mașinii. Se caută mașina pentru înregistrare.
			2 secunde	Înregistrarea mașinii a fost finalizată. Lampa de activare wireless va începe să lumineze intermitent cu albastru.
Anularea/ștergerea înregistrării mașinii	Roșu	 (lent: de 2 ori/sec.)	20 secunde	Gata pentru anularea înregistrării mașinii. Se caută mașina pentru anulare.
		 (rapid: de 5 ori/sec.)	Atunci când butonul de activare wireless este apăsat.	Gata pentru ștergerea tuturor înregistrărilor mașinilor.
			2 secunde	Înregistrarea mașinii a fost anulată/ștearsă. Lampa de activare wireless va începe să lumineze intermitent cu albastru.
Altele	Roșu		3 secunde	Unitatea wireless este alimentată cu energie și se lansează funcția de activare wireless.
	Oprit	-	-	Comutatorul de stare de așteptare nu este setat pe „AUTO”.

Depanarea funcției de activare wireless

Înainte de a solicita reparații, efectuați mai întâi propria inspecție. În cazul în care găsiți o problemă care nu este explicată în manual, nu încercați să demontați echipamentul. În schimb, adresați-vă Centrelor de service autorizate Makita, utilizând întotdeauna piese de schimb Makita pentru reparații.

Stare de anormalitate	Cauză probabilă (defecțiune)	Remediu
Lampa de activare wireless nu se aprinde/nu luminează intermitent.	Unitatea wireless nu este instalată la aspirator și/sau la mașină. Unitatea wireless este instalată necorespunzător la aspirator și/sau la mașină.	Instalați corect unitatea wireless.
	Butonul de activare wireless de pe mașină nu a fost apăsat.	Apăsați scurt butonul de activare wireless de pe mașină.
	Comutatorul de stare de așteptare de pe aparatul de curățat nu este setat pe „AUTO”.	Setați comutatorul de stare de așteptare de pe aparatul de curățat pe „AUTO”.
	Nicio sursă de alimentare	Alimentați cu energie mașina și aparatul de curățat.
Înregistrarea mașinii/anularea înregistrării mașinii nu poate fi finalizată cu succes.	Unitatea wireless nu este instalată la aspirator și/sau la mașină. Unitatea wireless este instalată necorespunzător la aspirator și/sau la mașină.	Instalați corect unitatea wireless.
	Comutatorul de stare de așteptare de pe aparatul de curățat nu este setat pe „AUTO”.	Setați comutatorul de stare de așteptare de pe aparatul de curățat pe „AUTO”.
	Nicio sursă de alimentare	Alimentați cu energie mașina și aparatul de curățat.
	Funcționare incorectă	Apăsați scurt butonul de activare wireless și efectuați din nou procedurile de înregistrare/anulare.
	Mașina și aparatul de curățat se află la distanță unul de celălalt (în afara ariei de transmisie).	Aduceți mașina și aparatul de curățat mai aproape unul de celălalt. Distanța maximă de transmisie este de aproximativ 10 m, însă aceasta poate varia în funcție de circumstanțe.
	Înainte de încheierea înregistrării/anulării mașinii; - comutatorul mașinii este activat sau; - butonul de pornire de pe aparatul de curățat este activat.	Apăsați scurt butonul de activare wireless și efectuați din nou procedurile de înregistrare/anulare.
	Procedurile de înregistrare a mașinii pentru mașină sau aparatul de curățat nu au fost finalizate.	Efectuați procedurile de înregistrare a mașinii pentru mașină și aspirator în același timp.
	Perturbații radioelectrice de la alte aparate care generează unde radio de mare intensitate.	Țineți mașina și aparatul de curățat la distanță de aparate precum dispozitive Wi-Fi și cuptoare cu microunde.
Aparatul de curățat nu funcționează odată cu operația de comutare a mașinii.	Unitatea wireless nu este instalată la aspirator și/sau la mașină. Unitatea wireless este instalată necorespunzător la aspirator și/sau la mașină.	Instalați corect unitatea wireless.
	Butonul de activare wireless de pe mașină nu a fost apăsat.	Apăsați scurt butonul de activare wireless și asigurați-vă că lampa de activare wireless luminează intermitent cu albastru.
	Comutatorul de stare de așteptare de pe aparatul de curățat nu este setat pe „AUTO”.	Setați comutatorul de stare de așteptare de pe aparatul de curățat pe „AUTO”.
	La aparatul de curățat sunt înregistrate mai mult de 10 mașini.	Efectuați din nou înregistrarea mașinii. Dacă la aparatul de curățat sunt înregistrate mai mult de 10 mașini, mașina înregistrată prima va fi anulată automat.
	Aparatul de curățat a șters toate înregistrările mașinii.	Efectuați din nou înregistrarea mașinii.
	Nicio sursă de alimentare	Alimentați cu energie mașina și aparatul de curățat.
	Mașina și aparatul de curățat se află la distanță unul de celălalt (în afara ariei de transmisie).	Aduceți mașina și aparatul de curățat mai aproape unul de celălalt. Distanța maximă de transmisie este de aproximativ 10 m, însă aceasta poate varia în funcție de circumstanțe.
	Perturbații radioelectrice de la alte aparate care generează unde radio de mare intensitate.	Țineți mașina și aparatul de curățat la distanță de aparate precum dispozitive Wi-Fi și cuptoare cu microunde.

Stare de anomalitate	Cauză probabilă (defecțiune)	Remediu
Aparatul de curățat funcționează atunci când mașina nu este în funcțiune.	Alți utilizatori folosesc activarea wireless a aparatului de curățat cu mașinile acestora.	Opriiți butonul de activare wireless al celorlalte mașini sau anulați înregistrarea celorlalte mașini.
Nu se pot șterge toate înregistrările mașinilor de la aparatul de curățat.	Apăsarea butonului wireless de pe mașină.	Apăsați butonul wireless de pe aparatul de curățat pentru ștergerea tuturor înregistrărilor mașinilor.
	Comutatorul de stare de așteptare de pe aparatul de curățat nu este setat pe „AUTO”.	Setați comutatorul de stare de așteptare de pe aparatul de curățat pe „AUTO”.
	Butonul de activare wireless nu este ținut apăsat în mod corect.	Țineți apăsat butonul de activare wireless timp de peste 6 secunde și apoi eliberați-l atunci când lampa de activare wireless luminează intermitent cu roșu. Țineți din nou apăsat butonul de activare wireless timp de peste 6 secunde până când butonul de activare wireless luminează intermitent rapid cu roșu și apoi eliberați butonul.

ÎNȚREȚINERE

⚠️ AVERTIZARE: Utilizați întotdeauna o mască de respirat P2 la efectuarea întreținerii.

⚠️ ATENȚIE: Asigurați-vă întotdeauna că aparatul este oprit și cartușele acumulatorului sunt scoase, înainte de a executa lucrări de inspecție sau întreținere.

⚠️ ATENȚIE: Inspecția tehnică, inclusiv inspecția filtrelor, a etanșeității la aer și a mecanismului de comandă, trebuie să fie efectuată cel puțin o dată pe an de către o persoană instruită.

⚠️ ATENȚIE: În timpul întreținerii, toate elementele contaminate care nu pot fi curățate în mod satisfăcător trebuie eliminate. Astfel de elemente trebuie eliminate în saci impermeabili care respectă reglementările din țara dumneavoastră.

⚠️ ATENȚIE: După operațiunea în zona periculoasă, exteriorul aparatului trebuie decontaminat prin metode de aspirare și trebuie șters sau tratat cu un material de etanșare înainte de a scoate aparatul din zona periculoasă. Toate piesele aparatului trebuie considerate contaminate atunci când sunt scoase din zona periculoasă și trebuie luate măsuri adecvate pentru a preveni dispersarea prafului.

⚠️ ATENȚIE: Schimbați filtrele atunci când sunt înfundate cu praf sau când considerați că performanța aspiratorului a scăzut.

⚠️ ATENȚIE: Verificați filtrele periodic. Dacă există rupturi, înlocuiți imediat filtrele.

NOTĂ: Nu utilizați niciodată gazolină, benzină, diluant, alcool sau alte substanțe asemănătoare. În caz contrar, pot rezulta decolorări, deformări sau fisuri.

Pentru a menține SIGURANȚA și FIABILITATEA produsului, reparațiile și orice alte lucrări de întreținere sau reglare trebuie executate de centre de service Makita autorizate sau proprii, folosind întotdeauna piese de schimb Makita.

Demontarea unității de filtrare

⚠️ ATENȚIE: Așteptați aproximativ 5 minute pentru ca praful din rezervor să se așeze complet.

⚠️ ATENȚIE: Aveți grijă să nu lăsați praful să intre în capacul rezervorului atunci când scoateți unitatea de filtrare.

Unitatea de filtrare este fixată pe unitatea principală. Aceasta este alcătuită din placa superioară, prefiltre, amortizoare și filtrele de pudră.

1. Eliberați cârligele de blocare și ridicați unitatea principală de pe rezervor.
2. Scoateți unitatea de filtrare din unitatea principală, astfel cum se arată în figură.

► Fig.37: 1. Încuetoare 2. Unitate de filtrare

Demontarea filtrului de pudră și a prefiltrului

Ridicați butonul rotativ și scoateți filtrele de pe placa superioară.

► Fig.38: 1. Placa superioară 2. Filtre 3. Buton rotativ

Pentru a preveni plutirea prafului în aer, este preferabilă îndepărtarea filtrelor în sacul din polietilenă.

Atunci când transportați unitatea de filtrare pentru a o curăța, legați bine sacul din polietilenă.

► Fig.39: 1. Unitate de filtrare 2. Sac din polietilenă

► Fig.40: 1. Placa superioară 2. Filtre 3. Sac din polietilenă

Curățarea filtrului de pudră, a prefiltrului și a amortizorului

Curățați în mod regulat filtrele și amortizorul. Filtrele și amortizorul înfundate pot avea ca rezultat performanțe de aspirare slabe.

Curățați în mod regulat praful acumulat de filtre și de amortizor.

Spălați din când în când filtrul de pudră, prefiltrul și amortizorul în apă, clătiți și uscați bine la umbră înainte de utilizare. Nu le spălați niciodată în mașina de spălat.

► Fig.41

NOTĂ: Evitați frecarea sau zgărirea filtrului de pudră, a prefiltrului sau a amortizorului cu obiecte dure, precum o perie sau racletă.

NOTĂ: Filtrele se uzează în timp. Se recomandă să aveți câteva piese de schimb pentru acestea.

Instalarea filtrului de pudră și a prefiltrului

NOTĂ: Filtrul de pudră și prefiltrul pot capta atât pulberi uscate, cât și pulberi umede. Asigurați-vă că senzorii de nivel al apei se activează corect pentru a preveni deteriorarea filtrului de pudră.

Agățați marginile unității de filtrare de placa superioară, apoi coborâți butonul rotativ.

► **Fig.42:** 1. Margine 2. Buton rotativ

NOTĂ: Înainte de a utiliza filtrul de pudră, asigurați-vă că prefiltrul și amortizorul sunt întotdeauna utilizate împreună. Nu este permisă instalarea doar a filtrului de pudră.

Asamblarea filtrelor

Când primiți filtrele separat, asamblați-le așa cum se arată în figură.

► **Fig.43:** 1. Filtru de pudră 2. Amortizor 3. Prefiltru

Instalarea unității de filtrare

După instalarea filtrelor pe placa superioară, agățați orificiile unității de filtrare de părțile în formă de U ale capacului interior. Apoi, blocați încuietoearea, așa cum se arată în figură.

► **Fig.44:** 1. Parte în formă de U 2. Orificiu 3. Încuietoeare

Instalarea filtrului de apă

Accesorii opționale

NOTĂ: Pentru a colecta praful umed, asigurați-vă că senzorii de nivel al apei se activează corect.

NOTĂ: Nu utilizați prefiltrul și amortizorul atunci când folosiți filtrul de apă.

Pentru a colecta numai apă sau praf umed, filtrul de apă este mai potrivit decât filtrul de pudră și prefiltrul.

Când instalați filtrul de apă, montați filtrul de apă pe placa superioară la fel ca filtrul de pudră și prefiltrul.

► **Fig.45**

NOTĂ: Se recomandă utilizarea filtrului de apă atunci când colectați în mod repetat cantități mari de apă. În caz contrar, capacitatea de aspirare poate fi redusă în cazul filtrului de pudră și a prefiltrului.

Curățarea senzorilor de nivel al apei

Senzorii de nivel al apei detectează lichidul atunci când rezervorul se umple cu lichid. Curățați periodic senzorii de nivel al apei cu o cârpă moale atunci când schimbați filtrele.

► **Fig.46:** 1. Senzor de nivel al apei

Depozitarea accesoriilor

Accesoriile și piesele auxiliare neutilizate, cum ar fi duzele țevile și capacul pot fi agățate în cârligul de pe partea din spate a aspiratorului.

► **Fig.47:** 1. Accesorii și piese auxiliare neutilizate 2. Capac

Țevile (cu opritor opțional instalat) pot fi plasate în suportul țevii atunci când nu folosiți aspiratorul pentru o perioadă scurtă de timp.

► **Fig.48:** 1. Opritor (accesoriu opțional) 2. Suport țevă

Un furtun poate fi înfășurat și depozitat în jurul carcasei sau mânerului aspiratorului în bucle mari. Conectați ambele capete împreună pentru a face bucle și agățați bucele de mânerul ridicat. Alternativ, păstrați capătul în orificiul de admisie al furtunului și agățați bucele de cârligul multiplu cu capătul liber legat.

► **Fig.49**

► **Fig.50**

ACCESORII OPȚIONALE

⚠ATENȚIE: Folosiți accesoriile sau piesele auxiliare recomandate pentru mașina dumneavoastră Makita în acest manual. Utilizarea oricăror alte accesorii sau piese auxiliare poate prezenta risc de vătămare corporală. Utilizați accesoriile și piesele auxiliare numai în scopul destinat.

Dacă aveți nevoie de asistență sau de mai multe detalii referitoare la aceste accesorii, adresați-vă centrului local de service Makita.

- Furtun
- Garnitură frontală (22, 24, 38)
- Țevă dreaptă
- Duză pentru colțuri
- Perie rotundă
- Filtru de pudră M, H (HEPA)
- Amortizor
- Prefiltru
- Filtru de apă
- Ansamblu duză
- Țevă curbată
- Sac din polietilenă
- Sac filtrant
- Capac
- Acumulator și încărcător original Makita
- Unitate wireless
- MAKPAC

NOTĂ: Unele articole din listă pot fi incluse ca accesorii standard în ambalajul de scule. Acestea pot diferi în funcție de țară.

WARNUNG

- Diese Maschine sollte nicht von Personen (einschließlich Kindern) mit reduzierten körperlichen, sensorischen oder geistigen Fähigkeiten oder mangelnder Erfahrung und Kenntnis benutzt werden.
- Kinder sollten beaufsichtigt werden, um sicherzugehen, dass sie nicht mit dem Sauggerät spielen.
- Angaben zur Typenbezeichnung des Akkus finden Sie im Kapitel „TECHNISCHE DATEN“.
- Angaben zum Demontage- oder Installationsverfahren des Akkus finden Sie im Abschnitt „Installieren oder Demontieren des Akkus“.
- Entfernen Sie den Akku zum Entsorgen vom Werkzeug, und entsorgen Sie ihn an einem sicheren Ort. Befolgen Sie die örtlichen Vorschriften bezüglich der Entsorgung von Akkus.
- Soll das Werkzeug längere Zeit nicht benutzt werden, muss der Akku vom Werkzeug entfernt werden.
- Der Akku darf nicht kurzgeschlossen werden.
- Entsprechende Details der Vorsichtsmaßnahmen während der Benutzerwartung finden Sie im Kapitel „WARTUNG“.

TECHNISCHE DATEN

Modell:		VC006GM
Maximales Luftvolumen am Ende des Schlauchs	Mit Schlauch BL4050F, ø28 mm x3,5 m	2,0 m ³ /min
	Mit Schlauch BL4050F, ø38 mm x 2,5 m	3,7 m ³ /min
Maximales Luftvolumen an der Turbine (mit BL4050F)		4,9 m ³ /min
Unterdruck (mit BL4050F)		18 kPa
Rückgewinnbare Kapazität	Staub	40 L
	Wasser	30 L
Abmessungen (L x B x H)		586 mm x 385 mm x 598 mm
Nennspannung		Gleichstrom 72 V - 80 V max.
Nettogewicht		18,4 - 20,8 kg
Schutzgrad		IPX4

- Wir behalten uns vor, Änderungen der technischen Daten im Zuge der Entwicklung und des technischen Fortschritts ohne vorherige Ankündigung vorzunehmen.
- Die technischen Daten können von Land zu Land unterschiedlich sein.
- Das Gewicht schließt keine Zubehörteile, aber Akkus ein. Das niedrigste und höchste Kombinationsgewicht des Gerätes und der Akkus sind in der Tabelle angegeben.

Zutreffende Akkus und Ladegeräte

Akku	BL4020 / BL4025 / BL4040* / BL4050F* / BL4080F* * : Empfohlener Akku
Ladegerät	DC40RA / DC40RB / DC40RC

- Einige der oben aufgelisteten Akkus und Ladegeräte sind je nach Ihrem Wohngebiet eventuell nicht erhältlich.

⚠️ WARNUNG: Verwenden Sie nur die oben aufgeführten Akkus und Ladegeräte. Bei Verwendung irgendwelcher anderer Akkus und Ladegeräte besteht Verletzungs- und/oder Brandgefahr.

Symbole

Nachfolgend werden Symbole beschrieben, die für das Gerät verwendet werden können. Machen Sie sich unbedingt vor der Benutzung mit ihrer Bedeutung vertraut.



Betriebsanleitung lesen.



Besondere Umsicht und Aufmerksamkeit erforderlich.



Warnung! Der Staubsauger kann gefährlichen Staub enthalten.



Stellen Sie sich niemals auf den Staubsauger.



Legen Sie niemals Gegenstände, die schwerer als 20 kg (44 lbs) sind, auf das Saugergerät.



Staubklasse M (mittel): für die Abscheidung von Staub mit einem Grenzwert für berufliche Exposition von mindestens 0,1 mg/m³. Die Saugergeräte sind in der Lage, Staub der Staubklasse L und M aufzusaugen. Befolgen Sie die Vorschriften Ihres Landes in Bezug auf Stäube sowie Sicherheit und Gesundheitsschutz am Arbeitsplatz.



Nur für EU-Länder
Aufgrund des Vorhandenseins gefährlicher Komponenten in der Ausrüstung können Elektro- und Elektronik-Altgeräte, Akkumulatoren und Batterien sich negativ auf die Umwelt und die menschliche Gesundheit auswirken.
Entsorgen Sie Elektro- und Elektronikgeräte oder Batterien nicht mit dem Hausmüll!
In Übereinstimmung mit der Europäischen Richtlinie über Elektro- und Elektronik-Altgeräte, Akkumulatoren und Batterien, verbrauchte Akkumulatoren und Batterien sowie ihrer Anpassung an nationales Recht sollten Elektro-Altgeräte, Batterien und Akkumulatoren gemäß den Umweltschutzbestimmungen getrennt gelagert und zu einer getrennten Sammelstelle für Siedlungsabfälle geliefert werden.
Dies wird durch das am Gerät angebrachte Symbol der durchgestrichenen Abfalltonne auf Rädern angezeigt.

Vorgesehene Verwendung

Das Gerät ist für das Absaugen von Nass- und Trockenstaub vorgesehen. Das Gerät eignet sich für kommerziellen Einsatz, z. B. in Hotels, Schulen, Krankenhäusern, Fabriken, Läden, Büros und Mietunternehmen.

Geräusch

Typischer A-bewerteter Geräuschpegel ermittelt gemäß EN60335-2-69:

Schalldruckpegel (L_{PA}): 70 dB (A) oder weniger
Messunsicherheit (K): 2,5 dB (A)

Der Geräuschpegel kann während des Betriebs 80 dB (A) überschreiten.

HINWEIS: Der (Die) angegebene(n) Schallemissionswert(e) wurde(n) im Einklang mit der Standardprüfmethode gemessen und kann (können) für den Vergleich zwischen Werkzeugen herangezogen werden.

HINWEIS: Der (Die) angegebene(n) Schallemissionswert(e) kann (können) auch für eine Vorbewertung des Gefährdungsgrads verwendet werden.

⚠️ WARNUNG: Einen Gehörschutz tragen.

⚠️ WARNUNG: Die Schallemission während der tatsächlichen Benutzung des Elektrowerkzeugs kann je nach der Benutzungsweise des Werkzeugs, und speziell je nach der Art des bearbeiteten Werkstücks, von dem (den) angegebenen Wert(en) abweichen.

⚠️ WARNUNG: Identifizieren Sie Sicherheitsmaßnahmen zum Schutz des Benutzers anhand einer Schätzung des Gefährdungsgrads unter den tatsächlichen Benutzungsbedingungen (unter Berücksichtigung aller Phasen des Arbeitszyklus, wie z. B. Ausschalt- und Leerlaufzeiten des Werkzeugs zusätzlich zur Betriebszeit).

Schwingungen

Schwingungsgesamtwert (Drei-Achsen-Vektorsumme) ermittelt gemäß EN60335-2-69:

Schwingungsemission (a_{h,m}): 2,5 m/s² oder weniger
Messunsicherheit (K): 1,5 m/s²

HINWEIS: Der (Die) angegebene(n) Vibrationsgesamtwert(e) wurde(n) im Einklang mit der Standardprüfmethode gemessen und kann (können) für den Vergleich zwischen Werkzeugen herangezogen werden.

HINWEIS: Der (Die) angegebene(n) Vibrationsgesamtwert(e) kann (können) auch für eine Vorbewertung des Gefährdungsgrads verwendet werden.

⚠️ WARNUNG: Die Vibrationsemission während der tatsächlichen Benutzung des Elektrowerkzeugs kann je nach der Benutzungsweise des Werkzeugs, und speziell je nach der Art des bearbeiteten Werkstücks, von dem (den) angegebenen Emissionswert(en) abweichen.

⚠️ WARNUNG: Identifizieren Sie Sicherheitsmaßnahmen zum Schutz des Benutzers anhand einer Schätzung des Gefährdungsgrads unter den tatsächlichen Benutzungsbedingungen (unter Berücksichtigung aller Phasen des Arbeitszyklus, wie z. B. Ausschalt- und Leerlaufzeiten des Werkzeugs zusätzlich zur Betriebszeit).

EG-Konformitätserklärung

Nur für europäische Länder

Die EG-Konformitätserklärung ist als Anhang A in dieser Bedienungsanleitung enthalten.

SICHERHEITSWARNUNGEN

Sicherheitswarnungen für Akku-Sauggerät

⚠️ WARNUNG: WICHTIG! Alle Sicherheitswarnungen und Anweisungen **VOR GEBRAUCH AUFMERKSAM LESEN**. Eine Missachtung der Warnungen und Anweisungen kann zu einem elektrischen Schlag, Brand und/oder schweren Verletzungen führen.

1. Stellen Sie vor dem Gebrauch sicher, dass dieses Sauggerät nur von Personen benutzt wird, die im Gebrauch dieses Sauggerätes hinreichend unterrichtet worden sind.
2. Vor dem Gebrauch sollten Bediener Informationen, Anweisungen und Schulung im Gebrauch der Maschine und der Substanzen, für die sie zu benutzen ist, einschließlich der sicheren Methode zur Entnahme und Entsorgung des aufgesammelten Materials, erhalten.
3. Falls Schaum/Flüssigkeit herauskommt, schalten Sie das Gerät sofort aus.
4. Reinigen Sie die Wasserstand-Begrenzungsvorrichtung regelmäßig, und untersuchen Sie sie auf Anzeichen von Beschädigung.
5. Stellen Sie vor dem Gebrauch immer sicher, dass die Filter korrekt installiert sind. Benutzen Sie das Sauggerät nicht ohne eingesetzte Filter. Ersetzen Sie einen beschädigten Filter unverzüglich. Es wird empfohlen, einige Ersatzteile bereitzuhalten, da Filter Verbrauchsmaterial sind.
6. **UNBEACHTIGTES EINSCHALTEN VERMEIDEN.** Vergewissern Sie sich, dass der Schalter ausgeschaltet ist, wenn Sie einen oder mehrere Akku(s) einsetzen.
7. Versuchen Sie nicht, brennbare Materialien, Feuerwerk, brennende Zigaretten, heiße Asche, heiße Metallspäne und scharfe Gegenstände, wie etwa Rasierklingen, Nadeln, Glasscherben oder dergleichen aufzusaugen.
8. **BENUTZEN SIE DAS SAUGGERÄT NIEMALS IN DER NÄHE VON BENZIN, GAS, LACK, KLEBSTOFFEN ODER ANDEREN HOCH EXPLOSIVEN SUBSTANZEN.** Der Schalter erzeugt Funken beim Ein- und Ausschalten. Ebenso der Motorkollektor während des Betriebs. Es kann zu einer gefährlichen Explosion kommen.
9. Saugen Sie niemals giftige, krebserregende, brennbare oder andere Gefahrstoffe wie Asbest, Arsen, Barium, Beryllium, Blei, Pestizide oder sonstige gesundheitsgefährdende Materialien auf.
10. Stellen Sie das Sauggerät immer auf eine horizontale und ebene Fläche, um zu verhindern, dass es herunterfällt oder sich unbeabsichtigt bewegt.
11. Benutzen Sie das Sauggerät niemals im Freien bei Regen.
12. Für Finnland: Diese Maschine darf nicht im Freien bei niedrigen Temperaturen benutzt werden.
13. Benutzen Sie das Sauggerät nicht in der Nähe von Wärmequellen (Öfen usw.).
14. Wird die Abluft in den Raum zurückgeleitet, muss für eine angemessene Luftwechselrate im Raum gesorgt werden. Bezugnahme auf nationale Vorschriften ist notwendig.
15. Blockieren Sie nicht den Saugeinlass/den Gebläseauslass/die Kühlluftöffnungen. Diese Öffnungen gestatten eine Kühlung des Motors. Blockierung ist sorgfältig zu vermeiden, weil sonst der Motor wegen mangelnder Belüftung überhitzt.
16. Achten Sie stets auf sicheren Stand und gute Balance.
17. Vermeiden Sie Knicken, Ziehen oder Zertreten des Schlauchs.
18. Stellen Sie das Sauggerät sofort ab, wenn Sie während des Betriebs eine Leistungsver schlechterung oder etwas Ungewöhnliches bemerken.
19. **AKKU(S) ENTNEHMEN.** Bei Nichtgebrauch, vor der Wartung und beim Wechseln von Zubehör.
20. Reinigen und warten Sie das Sauggerät sofort nach jedem Gebrauch, um es in tadellosem Betriebszustand zu halten.
21. **SAUGGERÄT SORGFÄLTIG WARTEN.** Halten Sie das Sauggerät für bessere und sicherere Leistung sauber. Befolgen Sie die Anweisungen zum Auswechseln von Zubehör. Halten Sie die Handgriffe trocken, sauber und frei von Öl und Fett.
22. **GERÄT AUF BESCHÄDIGTE TEILE ÜBERPRÜFEN.** Bevor Sie das Sauggerät weiter benutzen, sollten Sie beschädigte Schutzvorrichtungen und Teile sorgfältig auf ihre Betriebsfähigkeit und Funktionstüchtigkeit hin überprüfen. Überprüfen Sie das Gerät auf Ausrichtung und Klemmen beweglicher Teile, Beschädigung von Teilen, Befestigungszustand und sonstige Mängel von Teilen, die seinen Betrieb beeinträchtigen können. Beschädigte Schutzvorrichtungen oder Teile sollten von einem autorisierten Service-Center ordnungsgemäß repariert oder ausgewechselt werden, wenn nicht anders in dieser Bedienungsanleitung angegeben. Lassen Sie defekte Schalter von einem autorisierten Service-Center auswechseln. Benutzen Sie das Sauggerät nicht, wenn es sich nicht mit dem Schalter ein- und ausschalten lässt.
23. Für Benutzerwartung muss die Maschine zerlegt, gereinigt und gewartet werden, soweit dies einigermaßen praktikabel ist, ohne ein Risiko für das Wartungspersonal und andere Personen zu verursachen.
24. Die Maschine ist mindestens einmal jährlich vom Hersteller oder einer unterwiesenen Person einer technischen Untersuchung zu unterziehen, die z. B. aus der Überprüfung der Filter auf Beschädigung, der Luftdichtigkeit der Maschine und der einwandfreien Funktion des Steuermechanismus besteht.

25. Wenn Wartungs- oder Reparaturarbeiten ausgeführt werden, sind alle verunreinigten Artikel, die nicht zufriedenstellend gereinigt werden können, zu entsorgen; solche Artikel sind in undurchlässigen Beuteln im Einklang mit der geltenden Verordnung für die Entsorgung solcher Abfälle zu entsorgen.
26. **ERSATZTEILE.** Verwenden Sie bei der Wartung nur identische Ersatzteile.
27. **UNBENUTZTES SAUGGERÄT LAGERN.** Bei Nichtgebrauch sollte das Sauggerät in einem Innenraum gelagert werden.
28. Nassfilter und das Innere des Flüssigkeitsbehälters müssen vor der Lagerung getrocknet werden.
29. Behandeln Sie Ihr Sauggerät mit Sorgfalt. Grobe Behandlung kann eine Beschädigung des Sauggerätes verursachen, selbst wenn es noch so robust gebaut ist.
30. Versuchen Sie nicht, die Außen- oder Innenseite mit Waschbenzin, Verdünnern oder Reinigungskemikalien zu reinigen. Dadurch können Risse und Verfärbung verursacht werden.
31. Benutzen Sie das Sauggerät nicht in einem geschlossenen Raum, wo brennbare, explosive oder giftige Dämpfe von Lack auf Ölbasis, Lackverdünner, Benzin, bestimmten Mottenschutzmitteln usw. abgegeben werden, oder in Bereichen, wo brennbarer Staub vorhanden ist.
32. Betreiben Sie weder dieses noch andere Werkzeuge unter dem Einfluss von Medikamenten oder Alkohol.
33. Als Grundregel der Sicherheit sollten Sie stets eine Schutzbrille oder eine Sicherheitsbrille mit Seitenschützern verwenden.
34. Verwenden Sie eine Staubmaske bei staubigen Arbeitsbedingungen.
35. Diese Maschine sollte nicht von Personen (einschließlich Kindern) mit reduzierten körperlichen, sensorischen oder geistigen Fähigkeiten oder mangelnder Erfahrung und Kenntnis benutzt werden.
36. Kinder sollten beaufsichtigt werden, um sicherzugehen, dass sie nicht mit dem Sauggerät spielen.
37. Fassen Sie Akku(s) und den Staubsauger niemals mit nassen Händen an.
38. Lassen Sie bei der Reinigung auf Treppen äußerste Vorsicht walten.
39. Benutzen Sie das Sauggerät nicht als Hocker oder Werkbank. Anderenfalls kann die Maschine herunterfallen und Personenschäden verursachen.

Gebrauch und Pflege von Akkuwerkzeugen

1. **Laden Sie den Akku nur mit dem vom Hersteller vorgeschriebenen Ladegerät.** Ein Ladegerät, das für einen Akkutyp geeignet ist, kann eine Brandgefahr darstellen, wenn es mit einem anderen Akku verwendet wird.
2. **Benutzen Sie Elektrowerkzeuge nur mit den ausdrücklich vorgeschriebenen Akkus.** Bei Verwendung irgendwelcher anderer Akkus besteht Verletzungs- und Brandgefahr.

3. **Halten Sie den Akku bei Nichtgebrauch von anderen Metallgegenständen, wie z. B. Büroklammern, Münzen, Schlüsseln, Nägeln, Schrauben oder anderen Kleinen Metallgegenständen, fern, welche die Kontakte kurzschließen können.** Kurzschließen der Akkukontakte kann Verbrennungen oder einen Brand verursachen.
4. **Bei Missbrauch kann Flüssigkeit aus dem Akku austreten. Vermeiden Sie Kontakt mit dieser Flüssigkeit. Falls Sie versehentlich mit der Flüssigkeit in Berührung kommen, spülen Sie die betroffenen Stellen mit Wasser ab. Falls die Flüssigkeit in die Augen gelangt, suchen Sie zusätzlich ärztliche Hilfe auf.** Die vom Akku austretende Flüssigkeit kann Hautreizungen oder Verätzungen verursachen.
5. **Verwenden Sie keinen Akku und auch kein Werkzeug, der (das) beschädigt oder modifiziert ist.** Beschädigte oder modifizierte Akkus können unvorhersehbares Verhalten zeigen, das zu einem Brand, einer Explosion oder Verletzungsgefahr führen kann.
6. **Setzen Sie einen Akku oder ein Werkzeug nicht Feuer oder übermäßigen Temperaturen aus.** Bei Einwirkung von Feuer oder Temperaturen über 130 °C kann es zu einer Explosion kommen.
7. **Befolgen Sie alle Ladeanweisungen, und laden Sie den Akku bzw. das Werkzeug nicht außerhalb des in den Anweisungen angegebenen Temperaturbereichs.** Wird der Ladevorgang unsachgemäß oder bei Temperaturen außerhalb des angegebenen Bereichs durchgeführt, kann es zu einer Beschädigung des Akkus und erhöhter Brandgefahr kommen.

DIESE ANWEISUNGEN AUFBEWAHREN.

⚠️ WARNUNG: Lassen Sie sich **NICHT** durch Bequemlichkeit oder Vertrautheit mit dem Produkt (durch wiederholten Gebrauch erworben) von der strikten Einhaltung der Sicherheitsregeln für das vorliegende Produkt abhalten. **MISSBRAUCH** oder Missachtung der Sicherheitsvorschriften in dieser Anleitung können schwere Verletzungen verursachen.

Wichtige Sicherheitsanweisungen für Akku

1. **Lesen Sie vor der Benutzung des Akkus alle Anweisungen und Warnhinweise, die an (1) Ladegerät, (2) Akku und (3) Akkuwerkzeug angebracht sind.**
2. **Unterlassen Sie Zerlegen oder Manipulieren des Akkus.** Es kann sonst zu einem Brand, übermäßiger Hitzeentwicklung oder einer Explosion kommen.
3. **Falls die Betriebszeit beträchtlich kürzer geworden ist, stellen Sie den Betrieb sofort ein.** Anderenfalls besteht die Gefahr von Überhitzung, möglichen Verbrennungen und sogar einer Explosion.

4. Falls Elektrolyt in Ihre Augen gelangt, waschen Sie sie mit sauberem Wasser aus, und begeben Sie sich unverzüglich in ärztliche Behandlung. Anderenfalls können Sie Ihre Sehkraft verlieren.
5. Der Akku darf nicht kurzgeschlossen werden:
 - (1) Die Kontakte dürfen nicht mit leitfähigem Material berührt werden.
 - (2) Lagern Sie den Akku nicht in einem Behälter zusammen mit anderen Metallgegenständen, wie z. B. Nägel, Münzen usw.
 - (3) Setzen Sie den Akku weder Wasser noch Regen aus.

Ein Kurzschluss des Akkus verursacht starken Stromfluss, der Überhitzung, mögliche Verbrennungen und einen Defekt zur Folge haben kann.
6. Lagern und benutzen Sie das Werkzeug und den Akku nicht an Orten, an denen die Temperatur 50 °C erreichen oder überschreiten kann.
7. Versuchen Sie niemals, den Akku zu verbrennen, selbst wenn er stark beschädigt oder vollkommen verbraucht ist. Der Akku kann im Feuer explodieren.
8. Unterlassen Sie Nageln, Schneiden, Zerquetschen, Werfen, Fallenlassen des Akkus oder Schlagen des Akkus mit einem harten Gegenstand. Eine solche Handlung kann zu einem Brand, übermäßiger Hitzeentwicklung oder einer Explosion führen.
9. Benutzen Sie keine beschädigten Akkus.
10. Die enthaltenen Lithium-Ionen-Akkus unterliegen den Anforderungen der Gefahrgut-Gesetzgebung.

Für kommerzielle Transporte, z. B. durch Dritte oder Spediteure, müssen besondere Anforderungen zu Verpackung und Etikettierung beachtet werden.

Zur Vorbereitung des zu transportierenden Artikels ist eine Beratung durch einen Experten für Gefahrgut erforderlich. Bitte beachten Sie möglicherweise ausführlichere nationale Vorschriften. Überkleben oder verdecken Sie offene Kontakte, und verpacken Sie den Akku so, dass er sich in der Verpackung nicht umher bewegen kann.
11. Entfernen Sie den Akku zum Entsorgen vom Werkzeug, und entsorgen Sie ihn an einem sicheren Ort. Befolgen Sie die örtlichen Vorschriften bezüglich der Entsorgung von Akkus.
12. Verwenden Sie die Akkus nur mit den von Makita angegebenen Produkten. Das Einsetzen der Akkus in nicht konforme Produkte kann zu einem Brand, übermäßiger Hitzebildung, einer Explosion oder Auslaufen von Elektrolyt führen.
13. Soll das Werkzeug längere Zeit nicht benutzt werden, muss der Akku vom Werkzeug entfernt werden.
14. Bei und nach dem Gebrauch kann der Akku heiß werden, was Verbrennungen oder Niedertemperaturverbrennungen verursachen kann. Beachten Sie die Handhabung von heißen Akkus.
15. Berühren Sie nicht den Anschlusskontakt des Werkzeugs unmittelbar nach dem Gebrauch, da er heiß genug werden kann, um Verbrennungen zu verursachen.
16. Achten Sie darauf, dass sich keine Späne, Staub oder Schmutz in den Anschlusskontakten, Löchern und Nuten des Akkus absetzen. Es könnte sonst zu Erhitzung, Brandauslösung, Bersten und Funktionsstörungen des Werkzeugs oder des Akkus kommen, was zu Verbrennungen oder Personenschäden führen kann.
17. Wenn das Werkzeug den Einsatz in der Nähe einer Hochspannungs-Stromleitung nicht unterstützt, benutzen Sie den Akku nicht in der Nähe einer Hochspannungs-Stromleitung. Dies kann zu einer Funktionsstörung oder Betriebsstörung des Werkzeugs oder des Akkus führen.
18. Halten Sie die Batterie von Kindern fern.

DIESE ANWEISUNGEN AUFBEWAHREN.

⚠ VORSICHT: Verwenden Sie nur Original-Makita-Akkus. Die Verwendung von Nicht-Original-Makita-Akkus oder von Akkus, die abgeändert worden sind, kann zum Bersten des Akkus und daraus resultierenden Bränden, Personenschäden und Beschädigung führen. Außerdem wird dadurch die Makita-Garantie für das Makita-Werkzeug und -Ladegerät ungültig.

Hinweise zur Aufrechterhaltung der maximalen Akku-Nutzungsdauer

1. Laden Sie den Akku, bevor er vollkommen erschöpft ist. Schalten Sie das Werkzeug stets aus, und laden Sie den Akku, wenn Sie ein Nachlassen der Werkzeugleistung feststellen.
2. Unterlassen Sie erneutes Laden eines voll aufgeladenen Akkus. Überladen führt zu einer Verkürzung der Nutzungsdauer des Akkus.
3. Laden Sie den Akku bei Raumtemperatur zwischen 10 – 40 °C. Lassen Sie einen heißen Akku abkühlen, bevor Sie ihn laden.
4. Wenn Sie den Akku nicht benutzen, nehmen Sie ihn vom Werkzeug oder Ladegerät ab.
5. Der Akku muss geladen werden, wenn er lange Zeit (länger als sechs Monate) nicht benutzt wird.

Wichtige Sicherheitsanweisungen für Funk-Adapter

1. Öffnen Sie den Deckel des Steckplatzes niemals selbst, wenn Sie den Funk-Adapter installiert haben.
2. Unterlassen Sie Zerlegen oder Manipulieren des Funk-Adapters.
3. Halten Sie den Funk-Adapter von kleinen Kindern fern. Suchen Sie bei versehentlichem Verschlucken sofort ärztliche Behandlung auf.
4. Benutzen Sie den Funk-Adapter nur mit Makita-Werkzeugen.
5. Setzen Sie den Funk-Adapter keinem Regen oder Nässe aus.

6. Benutzen Sie den Funk-Adapter nicht an Orten, wo die Temperatur 50 °C überschreitet.
7. Betreiben Sie den Funk-Adapter nicht an Orten, in deren Nähe sich medizinische Geräte, wie z. B. Herzschrittmacher, befinden.
8. Betreiben Sie den Funk-Adapter nicht an Orten, in deren Nähe sich automatisierte Geräte befinden. Bei Betrieb kann in den automatisierten Geräten eine Funktionsstörung oder ein Fehler entstehen.
9. Betreiben Sie den Funk-Adapter nicht an Orten unter hohen Temperaturen oder an Orten, wo statische Elektrizität oder elektrisches Rauschen erzeugt werden könnte.
10. Der Funk-Adapter kann elektromagnetische Felder (EMF) erzeugen, die aber für den Benutzer nicht gesundheitsschädlich sind.
11. Der Funk-Adapter ist ein Präzisionsinstrument. Achten Sie darauf, dass der Funk-Adapter nicht fallen gelassen oder Stößen ausgesetzt wird.
12. Vermeiden Sie Berühren der Kontakte des Funk-Adapters mit bloßen Händen oder Metallgegenständen.
13. Entfernen Sie stets den Akku vom Produkt, bevor Sie den Funk-Adapter installieren.
14. Öffnen Sie den Deckel des Steckplatzes nicht an Orten, wo Staub und Wasser in den Steckplatz eindringen können. Halten Sie den Einlass des Steckplatzes stets sauber.
15. Führen Sie den Funk-Adapter stets in der korrekten Richtung ein.
16. Drücken Sie nicht zu fest und/oder mit einem scharfkantigen Gegenstand auf die Funk-Aktivierungstaste des Funk-Adapters.
17. Halten Sie den Deckel des Steckplatzes beim Betrieb immer geschlossen.
18. Entfernen Sie den Funk-Adapter nicht aus dem Steckplatz, während das Werkzeug mit Strom versorgt wird. Anderenfalls kann eine Funktionsstörung des Funk-Adapters verursacht werden.
19. Entfernen Sie nicht den Aufkleber vom Funk-Adapter.
20. Kleben Sie keinen anderen Aufkleber auf den Funk-Adapter.
21. Lassen Sie den Funk-Adapter nicht an einem Ort liegen, wo statische Elektrizität oder elektrisches Rauschen erzeugt werden könnte.
22. Lassen Sie den Funk-Adapter nicht an einem Ort liegen, der starker Hitze ausgesetzt ist, wie z. B. in einem in praller Sonne geparkten Auto.
23. Lassen Sie den Funk-Adapter nicht an einem Ort liegen, der Staub oder Puder aufweist, oder an dem ein korrosives Gas erzeugt werden könnte.
24. Plötzliche Temperaturschwankungen können den Funk-Adapter betauen. Benutzen Sie den Funk-Adapter nicht eher, bis der Tau vollständig getrocknet ist.
25. Wischen Sie den Funk-Adapter zum Reinigen sachte mit einem trockenen, weichen Tuch ab. Verwenden Sie kein Waschbenzin, kein leitfähiges Fett, keinen Verdüner oder dergleichen.
26. Bewahren Sie den Funk-Adapter zur Lagerung in der mitgelieferten Schachtel oder einem statikfreien Behälter auf.
27. Führen Sie keine anderen Geräte außer dem Makita-Funk-Adapter in den Steckplatz des Werkzeugs ein.
28. Benutzen Sie das Werkzeug nicht, wenn der Deckel des Steckplatzes beschädigt ist. Wasser, Staub und Schmutz, die in den Steckplatz eindringen, können eine Funktionsstörung verursachen.
29. Ziehen und/oder verdrehen Sie den Deckel des Steckplatzes nicht mehr als nötig. Bringen Sie den Deckel wieder an, falls er sich vom Werkzeug löst.
30. Ersetzen Sie den Deckel des Steckplatzes, falls er verloren geht oder beschädigt wird.

BEWAHREN SIE DIESE ANLEITUNG AUF.

FUNKTIONSBESCHREIBUNG

⚠ VORSICHT: Vergewissern Sie sich vor der Durchführung von Einstellungen oder Funktionsprüfungen des Gerätes stets, dass das Gerät ausgeschaltet ist und die Akkus abgenommen sind.

Anbringen und Abnehmen des Akkus

⚠ VORSICHT: Schalten Sie das Werkzeug stets aus, bevor Sie den Akku anbringen oder abnehmen.

⚠ VORSICHT: Halten Sie das Sauggerät und den Akku beim Anbringen oder Abnehmen des Akkus sicher fest. Wenn Sie das Sauggerät und den Akku nicht sicher festhalten, können sie Ihnen aus der Hand rutschen, was zu einer Beschädigung des Sauggerätes und des Akkus und zu Personenschäden führen kann.

⚠ VORSICHT: Achten Sie beim Öffnen oder Schließen der Akkuabdeckung darauf, dass Sie sich nicht die Finger klemmen. Anderenfalls kann es zu Personenschäden kommen.

Zum Einsetzen des Akkus entriegeln Sie zuerst den Verschluss, und öffnen Sie dann die Akkuabdeckung. Setzen Sie danach den Akku ein.

► **Abb.1:** 1. Verschluss 2. Akkuabdeckung

Richten Sie die Führungsfeder des Akkus auf die Führungsnut im Gehäuse aus, und schieben Sie den Akku hinein. Schieben Sie ihn vollständig ein, bis er mit einem hörbaren Klicken einrastet. Verriegeln Sie dann die Akkuabdeckung.

► **Abb.2:** 1. Akku 2. Knopf

Ziehen Sie den Akku zum Abnehmen vom Werkzeug ab, während Sie den Knopf an der Vorderseite des Akkus verschieben.

⚠ VORSICHT: Installieren Sie den Akku immer vollständig. Anderenfalls kann er versehentlich aus dem Sauggerät herausfallen und Sie oder umstehende Personen verletzen.

⚠ VORSICHT: Unterlassen Sie Gewaltanwendung beim Anbringen des Akkus. Falls der Akku nicht reibungslos hineingleitet, ist er nicht richtig ausgerichtet.

HINWEIS: Der Staubsauger funktioniert nicht mit nur einem Akku.

Anzeigen der Akku-Restkapazität

Drücken Sie die Prüftaste am Akku, um die Akku-Restkapazität anzuzeigen. Die Anzeigelampen leuchten wenige Sekunden lang auf.

► **Abb.3:** 1. Anzeigelampen 2. Prüftaste

Anzeigelampen			Restkapazität
Erleuchtet	Aus	Blinkend	
■	□	◐	
■ ■ ■ ■			75% bis 100%
■ ■ ■ □			50% bis 75%
■ ■ □ □			25% bis 50%
■ □ □ □			0% bis 25%
◐ □ □ □			Den Akku aufladen.
■ ■ □ □	↑	↓	Möglicherweise liegt eine Funktionsstörung im Akku vor.
□ □ ■ ■			

HINWEIS: Abhängig von den Benutzungsbedingungen und der Umgebungstemperatur kann die Anzeige geringfügig von der tatsächlichen Kapazität abweichen.

HINWEIS: Die erste (äußerste linke) Anzeigelampe blinkt, wenn das Akku-Schutzsystem aktiv ist.

Akku-Anzeigen am Bedienfeld

Die Akku-Restkapazität kann jederzeit auf dem Bedienfeld abgelesen werden. Wenn Sie die Prüftaste drücken, zeigen die linke und rechte Anzeige den Ladezustand des Akkus entsprechend an.

► **Abb.4:** 1. Linke Akku-Anzeige 2. Rechte Akku-Anzeige 3. Prüftaste

► **Abb.5**

Status der Akku-Anzeige			Akku-Restkapazität
Ein	Aus	Blinkend	
■	□	◐	50% bis 100%
■ ■ ■ ■			20% bis 50%
■ ■ □ □			0% bis 20%
◐ □ □ □			Akku aufladen
■ ■ □ □	↑	↓	Kein Akku eingesetzt
□ □ ■ ■			

HINWEIS: Die Akku-Anzeige funktioniert, wenn zwei Akkus eingelegt sind.

HINWEIS: Wenn das Sauggerät startet, werden auch die Akku-Anzeigen aktiviert.

Geräte-/Akku-Schutzsystem

Das Gerät ist mit einem Geräte-/Akku-Schutzsystem ausgestattet. Dieses System schaltet die Stromversorgung des Motors automatisch ab, um die Lebensdauer von Gerät und Akku zu verlängern. Das Gerät bleibt während des Betriebs automatisch stehen, wenn das Gerät oder der Akku einer der folgenden Bedingungen unterliegt:

Überlastschutz

Wird das Gerät/der Akku in einer Weise betrieben, die eine ungewöhnlich hohe Stromaufnahme bewirkt, bleibt das Gerät automatisch stehen. Schalten Sie in dieser Situation das Gerät aus, und brechen Sie die Anwendung ab, die eine Überlastung des Gerätes verursacht hat. Schalten Sie dann das Gerät wieder ein, um es neu zu starten.

Überhitzungsschutz

■ Ein	◐ Blinkend
■ ■ ■ ■	■ ■ ■ ■

Wenn das Gerät überhitzt ist, bleibt es automatisch stehen, und die Anzeigen für den linken und rechten Akku blinken. Lassen Sie das Gerät in dieser Situation abkühlen, und reinigen Sie die Filter, bevor Sie das Gerät wieder einschalten.

■ Ein	◐ Blinkend
■ ■ ■ ■	◐ □ □ □

Wenn der Akku überhitzt ist, bleibt das Gerät automatisch stehen, und eine der Anzeigen für einen überhitzten Akku blinkt. Lassen Sie den Akku in dieser Situation abkühlen, bevor Sie das Gerät wieder einschalten.

Überentladungsschutz

Wenn die Akkukapazität niedrig wird, bleibt das Gerät automatisch stehen. Falls das Gerät nicht mit der Schalterbetätigung läuft, nehmen Sie die Akkus aus dem Gerät und laden Sie sie auf.

Schutz gegen andere Ursachen

Das Schutzsystem ist auch für andere Ursachen ausgelegt, die eine Beschädigung des Gerätes verursachen könnten, und ermöglicht, dass das Gerät automatisch stehen bleibt. Führen Sie alle folgenden Schritte aus, um die Ursachen zu beseitigen, wenn das Gerät vorübergehend zum Stillstand gekommen ist oder im Betrieb stehen geblieben ist.

1. Schalten Sie das Gerät aus und dann wieder ein, um es neu zu starten.
2. Laden Sie den/die Akku(s) auf oder tauschen Sie ihn/sie gegen einen aufgeladenen Akku/aufgeladene Akkus aus.
3. Lassen Sie das Gerät und den/die Akku(s) abkühlen.

Falls die Wiederherstellung des Schutzsystems keine Besserung bringt, wenden Sie sich an Ihre lokale Makita-Kundendienststelle.

Schalterfunktion

Einschalten des Sauggerätes

1. Stellen Sie den Bereitschaftsschalter auf die Position „I“ (EIN) oder „AUTO“ (EIN), um das Sauggerät im Bereitschaftsmodus zu halten.
2. Drücken Sie die Ein-Aus-Taste. Um wieder in den Bereitschaftsmodus zu wechseln, drücken Sie erneut die Ein-Aus-Taste.

Ausschalten des Sauggerätes

Führen Sie einen der folgenden Schritte aus.

- Drücken Sie die Ein-Aus-Taste, um das Sauggerät wieder in den Bereitschaftsmodus zu versetzen.
- Stellen Sie den Bereitschaftsschalter auf die Position „O“ (AUS).

Einstellen der Saugkraft

Die Saugkraft kann an die jeweils anstehende Arbeit angepasst werden.

- Drehen Sie den Saugkraft-Einstellknopf nach links, um die Saugkraft zu verringern.
- Drehen Sie den Saugkraft-Einstellknopf nach rechts, um die Saugkraft zu erhöhen.

Wahl des Schlauchdurchmessers

Drehen Sie das Schlauchdurchmesser-Wahlrad auf den Durchmesser des Schlauchs, den Sie benutzen wollen.

HINWEIS: Drehen Sie das Wahlrad nicht auf eine Zwischenstellung zwischen den Nummern. Stellen Sie das Wahlrad immer entsprechend dem Schlauchdurchmesser ein.

- **Abb.6:** 1. Bereitschaftsschalter 2. Saugkraft-Einstellknopf 3. Schlauchdurchmesser-Wahlrad 4. Ein-Aus-Taste

ANMERKUNG: Stellen Sie den Bereitschaftsschalter immer auf die Seite „O“, wenn Sie das Sauggerät längere Zeit nicht benutzen. Das Sauggerät verbraucht Strom während des Bereitschaftszustands.

Warnton

Es gibt zwei Signaltonarten. Die eine ist ein kurzer Piepton, die andere ein Dauerton.

- Wenn die Luftstromgeschwindigkeit unter 20 m/s fällt, gibt das Sauggerät aus Sicherheitsgründen kurze Warntöne ab. Wenn die Warntöne ertönen, überprüfen Sie die Einstellung des Schlauchdurchmesser-Wahlrads oder ob die Saugkraft nicht zu gering ist. Falls die Warntöne weiterhin ertönen, führen Sie eine Wartung durch oder wenden Sie sich an Ihr örtliches Service-Center.
- Wenn der Tank mit Flüssigkeit gefüllt ist, gibt das Sauggerät andauernde Warntöne ab und bleibt automatisch stehen. Schalten Sie das Sauggerät nach dem Stillstand aus, und leeren Sie den Tank.

Saugstoppautomatik während des Nassaugbetriebs

⚠️ WARNUNG: Saugen Sie keinen Schaum oder seifige Flüssigkeit auf. Das kann dazu führen, dass Schaum aus dem Luftauslass austritt. Fortgesetzter Betrieb unter solchen Bedingungen kann einen elektrischen Schlag und eine Beschädigung des Sauggerätes verursachen.

Das Sauggerät besitzt einen Mechanismus, der Eindringen von Wasser in den Motor verhindert, wenn mehr als eine bestimmte Wassermenge aufgesaugt wird.

Wenn der Tank mit Flüssigkeit voll ist, gibt das Sauggerät andauernde Warntöne ab und bleibt automatisch stehen. Schalten Sie das Sauggerät nach dem Stillstand aus, und leeren Sie den Tank.

Filterreinigungssystem

Dieses Gerät hat ein Filterreinigungssystem. Während der Benutzung des Gerätes staubt das Filterreinigungssystem die Filter automatisch ab, um zu verhindern, dass die Saugkraft aufgrund von verstopften Filtern nachlässt.

Falls das Gerät eine große Staubmenge auf einmal aufsaugt, kann die Saugkraft nachlassen. In diesem Fall wird eine manuelle Filterreinigung empfohlen.

1. Schalten Sie das Gerät aus.
2. Stellen Sie die Saugleistung auf Maximum und schließen Sie die Saugschlauchöffnung mit Ihrer Handfläche.
3. Schalten Sie das Gerät ein und betreiben Sie es etwa 15 Sekunden lang mit geschlossener Saugschlauchöffnung.

► **Abb.7:** 1. Saugschlauchöffnung

HINWEIS: Die Luftmenge kann sich ändern, während das Filterreinigungssystem aktiviert wird, aber es liegt keine Fehlfunktion vor.

Wasserablass

Wenn der Tank mit Flüssigkeit voll ist, schalten Sie das Sauggerät aus und öffnen Sie die Wasserablasskappe, um den Tank zu entleeren.

► **Abb.8:** 1. Wasserablasskappe

Kappe

Die Kappe wird mit dem Gerät geliefert. Die Montage der Kappe auf dem Schlauchanschluss verhindert, dass der aufgesaugte Staub aus dem Sauggerät austritt.

► **Abb.9:** 1. Kappe

Verriegeln und Entriegeln der Laufrollen

Die vorderen Laufrollen können mit Stoppfern arretiert werden, um das Sauggerät zum Stillstand zu bringen. Senken Sie den Stopperhebel von Hand ab, um die Laufrolle zu arretieren, und heben Sie ihn an, um sie zu lösen.

► **Abb.10:** 1. Laufrolle 2. Stopperhebel 3. Entriegelte Stellung 4. Verriegelte Stellung

HINWEIS: Vergewissern Sie sich vor dem Bewegen des Sauggerätes, dass die Laufrolle entriegelt ist. Bewegen des Sauggerätes mit verriegelter Laufrolle kann eine Beschädigung der Laufrolle verursachen.

Tragehandgriff

⚠ VORSICHT: Heben und tragen Sie das Gerät mit der gebotenen Sorgfalt. Anderenfalls kann es zu Personenschäden oder Beschädigung des Gerätes kommen.

Halten Sie das Sauggerät beim Tragen am Handgriff an der Kopfeinheit. Der Handgriff ist bei Nichtgebrauch an der Kopfeinheit einklappbar.

► **Abb.11**

Falls es schwierig ist, das Gerät allein zu tragen, lassen Sie es von zwei Personen tragen, wie in der Abbildung gezeigt.

► **Abb.12**

► **Abb.13**

MONTAGE

⚠ WARNUNG: Dieses Gerät kann gefährlichen Staub enthalten. Benutzen Sie beim Austausch von Filterelementen und Staubsäcken oder bei der Wartung immer eine P2-Atmenschutzmaske.

⚠ VORSICHT: Vergewissern Sie sich vor der Ausführung von Arbeiten am Gerät stets, dass das Gerät ausgeschaltet ist und die Akkus abgenommen sind.

Installieren und Entsorgen des Filterbeutel

⚠ WARNUNG: Verwenden Sie immer eine P2-Atmenschutzmaske.

⚠ WARNUNG: Bevor Sie einen Filterbeutel benutzen, vergewissern Sie sich, dass die Filtereinheit zusammen verwendet wird. Wird die Filtereinheit nicht zusammen mit einem Filterbeutel verwendet, können ungewöhnliche Geräusche und Hitze erzeugt werden, was zu einem Brand führen kann.

⚠ WARNUNG: Wenn Sie das Gerät in der Staubklasse M verwenden, benutzen Sie unbedingt einen Filterbeutel.

ANMERKUNG: Saugen Sie niemals Wasser oder andere Flüssigkeiten oder Nassstaub auf, wenn Sie einen Filterbeutel benutzen. Durch Aufsaugen solcher Substanzen kann der Filterbeutel beschädigt werden.

1. Lösen Sie die Verriegelungshaken, und heben Sie die Kopfeinheit vom Tank ab.

► **Abb.14:** 1. Verriegelungshaken

2. Entfalten Sie einen Filterbeutel.

3. Richten Sie die Öffnung des Filterbeutels auf den Staubeinlass des Tanks aus.

4. Schieben Sie den Karton des Filterbeutels auf das Werkzeug, so dass er am Anschlag jenseits des Rastvorsprungs anliegt.

► **Abb.15:** 1. Filterbeutel 2. Kartonöffnung
3. Filterbeutelhalter 4. Staubeinlass
5. Kante

Ziehen Sie beim Entsorgen des Filterbeutels die Kante an der Öffnung des Filterbeutels so, dass die Öffnung durch ein Papier verschlossen wird.

Installieren des Polyethylenbeutel

Sonderzubehör

Legen Sie einen Polyethylenbeutel über den Tank und schieben Sie eine Seite der Oberkante des Beutels an seinem offenen Ende zwischen die Halterplatte und die Vorderwand des Tanks.

Spreizen Sie dann die anderen oberen Kanten des Beutels nach außen über die oberen Ränder des Tanks. Ein Polyethylenbeutel kann mit einem Filterbeutel verwendet werden.

► **Abb.16:** 1. Halterplatte 2. Vorderwand des Tanks
3. Polyethylenbeutel

HINWEIS: Ein im Fachhandel erhältlicher Polyethylenbeutel kann verwendet werden. Es wird einer empfohlen, dessen Dicke über 0,04 mm und dessen Umfang über 2.000 mm beträgt.

HINWEIS: Bei zu viel Staub reißt der Polyethylenbeutel leicht ein, daher sollte er nicht überfüllt werden. Die Entsorgung des schweren Beutels kann eine Belastung für den menschlichen Körper sein.

Entleeren des Tanks mit Polyethylenbeutel

⚠️ WARNUNG: Vergewissern Sie sich vor dem Entleeren des Tanks immer, dass das Saugergerät ausgeschaltet ist und die Akkus abgenommen sind. Andernfalls kann es zu einem elektrischen Schlag und schweren Personenschäden kommen.

ANMERKUNG: Entleeren Sie den Tank mindestens einmal pro Tag, obwohl dies von der im Tank angesammelten Staubmenge abhängt. Andernfalls verschlechtert sich die Saugkraft, und der Motor kann beschädigt werden.

ANMERKUNG: Fassen Sie beim Leeren des Tanks nicht an die Verriegelungshaken. Das Anfassen der Verriegelungshaken kann deren Bruch verursachen.

1. Lösen Sie die Verriegelungshaken, und heben Sie die Kopfeinheit vom Tank ab.
 2. Nehmen Sie den Polyethylenbeutel aus dem Tank, wobei Sie die Öffnung des Beutels mit der Hand verschließen.
- **Abb.17:** 1. Polyethylenbeutel 2. Tank

HINWEIS: Nehmen Sie den Polyethylenbeutel vorsichtig aus dem Tank, um zu vermeiden, dass er durch die Kanten im Tank zerkratzt und zerrissen wird.

HINWEIS: Entleeren Sie den Polyethylenbeutel, bevor er ganz voll wird. Zu viel Staub im Tank kann Zerreißen des Polyethylenbeutels verursachen.

Installieren des Schlauchs

ANMERKUNG: Biegen Sie den Schlauch niemals gewaltsam, und vermeiden Sie, auf ihn zu treten. Bewegen Sie das Saugergerät niemals durch Ziehen am Schlauch. Gewaltanwendung, Stampfen und Ziehen des Schlauchs können eine Beschädigung oder Verformung des Schlauchs verursachen.

ANMERKUNG: Wenn Sie größere Abfallstücke, wie z. B. Hobelspäne, Betonstaub oder ähnliche größere Abfallstücke aufsaugen, verwenden Sie den Schlauch mit 38 mm Innendurchmesser (Sonderzubehör). Bei Verwendung des Schlauchs mit 28 mm Innendurchmesser (Sonderzubehör) kann es zu Verstopfung und Beschädigung des Schlauchs kommen.

ANMERKUNG: Stecken Sie die Kappe immer auf den Montageanschluss, wenn Sie den Schlauch vom Saugergerät abnehmen.

Anschluss an das Saugergerät

Entfernen Sie die Kappe vom Montageanschluss. Die Kappe kann an der Rückseite des Saugergerätes aufbewahrt werden, während der Schlauch an das Saugergerät angeschlossen ist.

- **Abb.18:** 1. Kappe

Führen Sie das Schlauchende in den Staubeinlass (Schlaucheinlass) des Saugergerätes ein, und drehen Sie es dann im Uhrzeigersinn, bis es einrastet.

- **Abb.19:** 1. Schlauch 2. Staubeinlass (Schlaucheinlass)

Anschluss an Ihre Arbeitsgeräte (länderspezifisch)

Durch Anschließen des Saugergerätes an alle verfügbaren Arbeitsgeräte, die mit dem Saugergerät kompatibel sind, funktioniert es als Staubabsauger für Ihre Elektrowerkzeuge.

Wählen Sie eine der Frontmanschetten oder Verbindungsstücke (Sonderzubehör), die für Ihr Werkzeugmodell am besten geeignet sind. Platzieren Sie die Manschetten bzw. das Verbindungsstück je nach Bedarf zwischen dem vorderen Ende des Saugergeräteschlauchs und einer Staubabsaugöffnung Ihres Werkzeugs.

- **Abb.20:** 1. Frontmanschetten oder Verbindungsstück 2. Saugergeräteschlauch 3. Elektrowerkzeug 4. Saugergerät

Montieren und Demontieren von Saugergeräteaufsätzen

⚠️ VORSICHT: Prüfen Sie nach der Anbringung eines Aufsatzes, ob er sicher angebracht ist. Falls der Aufsatz unvollständig angebracht ist, kann er sich lösen und Personenschäden verursachen.

Bei Verwendung des Aufsatzes ohne Verriegelungsfunktion

Sonderzubehör

Setzen Sie einen Aufsatz in den Saug einlass des Saugergerätes ein, indem Sie ihn einschieben und von Hand festschrauben.

Drehen Sie den Aufsatz mit der Hand, und ziehen Sie ihn nach Gebrauch vom Saug einlass ab.

- **Abb.21**

Installieren des MAKPAC

Sonderzubehör

⚠️ VORSICHT: Stellen oder setzen Sie sich nicht auf die Oberseite des Gerätes. Es kann aufgrund von Instabilität umfallen.

⚠️ VORSICHT: Lassen Sie bei der Installation von MAKPAC Vorsicht walten. Andernfalls kann es zu Personenschäden oder Beschädigung des Gerätes kommen.

⚠️ VORSICHT: Wenn ein MAKPAC auf dem Gerät installiert ist, heben Sie das Gerät nicht mit dem Handgriff des MAKPAC an.

⚠️ VORSICHT: Wenn Sie das Gerät bewegen, an dem ein MAKPAC installiert ist, schieben Sie nicht das MAKPAC, sondern das Gehäuse des Gerätes. Durch Drücken des MAKPAC können die Klinken brechen, und das MAKPAC kann herunterfallen, was zu Personenschäden führen kann.

Anschließbare und stapelbare MAKPAC-Aufbewahrungsbehälter können oben auf dem Saugergerät installiert werden. Die Behälter sind in vielen Größen und Ausführungen erhältlich, um Ihren Wünschen gerecht zu werden.

1. Klappen Sie die Klinken auf der Oberseite des Saugergerätes aus.

► **Abb.22:** 1. Klinke

2. Montieren Sie die MAKPAC-Behälter oben auf dem Saugergerät, und befestigen Sie sie mit Klinken.

► **Abb.23:** 1. Klinke 2. MAKPAC

Die Maximalwerte für Höhe und Gewicht des zu installierenden MAKPAC betragen 315 mm bzw. 20 kg.

► **Abb.24**

BETRIEB

⚠️ WARNUNG: Tragen Sie immer eine Atemschutzmaske P2.

⚠️ VORSICHT: Falls Schaum oder Flüssigkeit aus dem Werkzeug austritt, schalten Sie es sofort aus. Fortgesetzter Betrieb in diesem Zustand kann einen elektrischen Schlag und Beschädigung des Saugergerätes verursachen.

FUNK-AKTIVIERUNGSFUNKTION

Sonderzubehör

Mit der Funk-Aktivierungsfunktion verfügbare Möglichkeiten

Die Funk-Aktivierungsfunktion ermöglicht sauberen und komfortablen Betrieb. Wenn Sie ein unterstütztes Werkzeug an den Staubsauger anschließen, können Sie den Staubsauger automatisch mit der Schalterbetätigung des Werkzeugs betreiben.

► **Abb.25**

ANMERKUNG: Nehmen Sie unbedingt die Betriebsanleitung des Werkzeugs zur Hand, wenn Sie den Staubsauger mit der Funk-Aktivierungsfunktion benutzen.

ANMERKUNG: Unterlassen Sie Zerlegen oder Manipulieren des Funk-Adapters.

ANMERKUNG: Um zu verhindern, dass Staub in den Schlitz des Funk-Adapters gelangt, schließen Sie stets den Deckel einwandfrei während Betrieb und Lagerung.

ANMERKUNG: Drücken Sie nicht zu fest und/oder mit einem scharfkantigen Gegenstand auf die Funk-Aktivierungstaste.

HINWEIS: Für die Funk-Aktivierung werden Makita-Werkzeuge mit dem Funk-Adapter benötigt.

HINWEIS: Bevor die Funk-Aktivierungsfunktion zum ersten Mal mit dem jeweiligen Werkzeug benutzt werden kann, ist die Werkzeugregistrierung erforderlich. Wenn die Registrierung des Werkzeugs einmal durchgeführt worden ist, erübrigt sich eine Neuregistrierung, sofern die Registrierung nicht aufgehoben wird.

HINWEIS: Vergewissern Sie sich vor der Registrierung, dass der Funk-Adapter ordnungsgemäß eingesetzt ist.

HINWEIS: Ein Funk-Adapter kann bis zu 10 Verbindungen mit anderen Funk-Adaptoren registrieren. Wenn mehr als 10 andere Funk-Adapter in einem Funk-Adapter registriert werden, wird die Registrierung des ersten automatisch gelöscht.

HINWEIS: Die Position der Funk-Aktivierungstaste ist je nach Werkzeug unterschiedlich.

HINWEIS: Der Staubsauger kann auch durch Drücken der Ein-Aus-Taste gestartet werden, wenn der Bereitschaftsschalter auf „AUTO“ steht. Die Ein-Aus-Taste lässt sich jedoch nicht betätigen, wenn die Funk-Aktivierungsfunktion benutzt wird.

Installieren des Funk-Adapters

⚠️ WARNUNG: Öffnen Sie den Deckel nur dann, wenn Sie den Funk-Adapter zum ersten Mal installieren. Öffnen Sie niemals den Deckel, nachdem Sie ihn installiert haben.

⚠️ VORSICHT: Legen Sie das Saugergerät zum Installieren des Funk-Adapters auf eine ebene und stabile Oberfläche.

ANMERKUNG: Entfernen Sie Staub und Schmutz vom Saugergerät, bevor Sie den Funk-Adapter installieren. Staub oder Schmutz können eine Funktionsstörung verursachen, falls sie in den Schlitz des Funk-Adapters gelangen.

ANMERKUNG: Um eine durch statische Entladung verursachte Funktionsstörung zu verhindern, berühren Sie ein Material zur Ableitung statischer Elektrizität, wie z. B. ein Metallteil, bevor Sie den Funk-Adapter anfassen.

ANMERKUNG: Achten Sie beim Installieren des Funk-Adapters immer darauf, dass der Funk-Adapter in der korrekten Richtung eingeführt wird und der Deckel vollständig geschlossen ist.

1. Lösen Sie die Schraube, um den Deckel des Saugergerätes zu öffnen, wie in der Abbildung gezeigt.

► **Abb.26:** 1. Deckel 2. Schraube

2. Führen Sie den Funk-Adapter in den Steckplatz ein.

Wenn Sie den Funk-Adapter einführen, richten Sie die Vorsprünge auf die Vertiefungen des Steckplatzes aus.

► **Abb.27:** 1. Funk-Adapter 2. Vorsprung 3. Deckel 4. Vertiefung

3. Ziehen Sie die Schraube vollständig an, um den Deckel zu schließen.

Werkzeugregistrierung für den Staubsauger

HINWEIS: Ein Makita-Werkzeug, das die Funk-Aktivierungsfunktion unterstützt, ist für die Werkzeugregistrierung erforderlich.

HINWEIS: Die Installation des Funk-Adapters im Werkzeug muss vollendet sein, bevor mit der Werkzeugregistrierung begonnen wird.

HINWEIS: Unterlassen Sie während der Werkzeugregistrierung die Betätigung des Auslöseschalters am Werkzeug oder das Einschalten des Ein-Aus-Schalters am Staubsauger.

HINWEIS: Nehmen Sie auch auf die Betriebsanleitung des Werkzeugs Bezug.

Wenn Sie den Staubsauger zusammen mit der Schalterbetätigung des Werkzeugs aktivieren möchten, müssen Sie zuvor die Werkzeugregistrierung beenden.

1. Setzen Sie die Funk-Adapter jeweils in das Sauggerät und das Werkzeug ein.
2. Setzen Sie die Akkus in den Staubsauger und das Werkzeug ein.

3. Stellen Sie den Bereitschaftsschalter am Staubsauger auf „AUTO“.

► **Abb.28:** 1. Bereitschaftsschalter

4. Drücken Sie die Funk-Aktivierungstaste am Staubsauger für 3 Sekunden, bis die Funk-Aktivierungslampe in Grün blinkt. Drücken Sie dann die Funk-Aktivierungstaste am Werkzeug in der gleichen Weise.

► **Abb.29:** 1. Funk-Aktivierungstaste
2. Funk-Aktivierungslampe

Wenn Staubsauger und Werkzeug erfolgreich verbunden werden, leuchtet die Funk-Aktivierungslampe 2 Sekunden lang in Grün auf und beginnt dann in Blau zu blinken.

HINWEIS: Nach Ablauf von 20 Sekunden hören die Funk-Aktivierungslampen auf, in Grün zu blinken. Drücken Sie die Funk-Aktivierungstaste am Werkzeug, während die Funk-Aktivierungslampe am Staubsauger blinkt. Falls die Funk-Aktivierungslampe nicht in Grün blinkt, drücken Sie die Funk-Aktivierungstaste kurz, und halten Sie sie erneut gedrückt.

HINWEIS: Wenn Sie zwei oder mehr Werkzeugregistrierungen für den Staubsauger durchführen, beenden Sie die Werkzeugregistrierungen nacheinander.

Starten der Funk-Aktivierungsfunktion

HINWEIS: Beenden Sie die Werkzeugregistrierung für den Staubsauger für die Funk-Aktivierung.

HINWEIS: Platzieren Sie den Staubsauger immer so, dass Sie den Status der Funk-Aktivierungslampe sehen können.

HINWEIS: Nehmen Sie auch auf die Betriebsanleitung des Werkzeugs Bezug.

Nachdem Sie ein Werkzeug im Staubsauger registriert haben, läuft der Staubsauger automatisch mit der Schalterbetätigung am Werkzeug an.

1. Setzen Sie die Funk-Adapter jeweils in das Sauggerät und das Werkzeug ein.
2. Setzen Sie die Akkus in den Staubsauger und das Werkzeug ein.
3. Schließen Sie den Schlauch des Staubsaugers am Werkzeug an.
► **Abb.30**
4. Stellen Sie den Bereitschaftsschalter am Staubsauger auf „AUTO“.
► **Abb.31:** 1. Bereitschaftsschalter
5. Drücken Sie die Funk-Aktivierungstaste am Werkzeug kurz. Die Funk-Aktivierungslampe blinkt in Blau.
► **Abb.32:** 1. Funk-Aktivierungstaste
2. Funk-Aktivierungslampe
6. Schalten Sie das Werkzeug ein. Prüfen Sie, ob das Sauggerät während des Betriebs des Werkzeugs läuft.

⚠ VORSICHT: Prüfen Sie immer nach, ob die Funk-Aktivierungsfunktion wirksam ist, bevor Sie eine Arbeit mit dem Werkzeug beginnen.

Um die Funk-Aktivierung zu stoppen, drücken Sie die Funk-Aktivierungstaste am Werkzeug, oder stellen Sie den Bereitschaftsschalter am Staubsauger auf „I“ oder „O“.

HINWEIS: Die Funk-Aktivierungslampe am Werkzeug hört auf, in Blau zu blinken, wenn 2 Stunden lang kein Betrieb erfolgt. Stellen Sie in diesem Fall den Bereitschaftsschalter am Staubsauger auf „AUTO“, und drücken Sie die Funk-Aktivierungstaste am Werkzeug erneut.

HINWEIS: Der Staubsauger startet/stoppt mit einer Verzögerung. Es tritt eine Zeitverzögerung auf, wenn der Staubsauger eine Schalterbetätigung des Werkzeugs erkennt.

HINWEIS: Die Übertragungreichweite des Funk-Adapters kann abhängig vom Ort und den Umgebungsbedingungen schwanken.

HINWEIS: Wenn zwei oder mehr Werkzeuge in einem Sauggerät registriert sind, kann das Sauggerät anlaufen, selbst wenn Sie das Werkzeug nicht einschalten, weil ein anderer Benutzer die Funk-Aktivierungsfunktion benutzt.

Aufheben der Werkzeugregistrierung für den Staubsauger

Führen Sie das folgende Verfahren durch, um die Werkzeugregistrierung für den Staubsauger aufzuheben.

1. Setzen Sie die Funk-Adapter jeweils in das Sauggerät und das Werkzeug ein.
2. Setzen Sie die Akkus in den Staubsauger und das Werkzeug ein.
3. Stellen Sie den Bereitschaftsschalter am Staubsauger auf „AUTO“.
► **Abb.33:** 1. Bereitschaftsschalter

4. Drücken Sie die Funk-Aktivierungstaste am Staubsauger für 6 Sekunden. Die Funk-Aktivierungslampe blinkt in Grün und wird dann rot. Drücken Sie danach die Funk-Aktivierungstaste am Werkzeug in der gleichen Weise.

- **Abb.34:** 1. Funk-Aktivierungstaste
2. Funk-Aktivierungslampe

Wenn die Aufhebung erfolgreich war, leuchten die Funk-Aktivierungslampen 2 Sekunden lang in Rot auf und beginnen dann in Blau zu blinken.

HINWEIS: Nach Ablauf von 20 Sekunden hören die Funk-Aktivierungslampen auf, in Rot zu blinken. Drücken Sie die Funk-Aktivierungstaste am Werkzeug, während die Funk-Aktivierungslampe am Staubsauger blinkt. Falls die Funk-Aktivierungslampe nicht in Rot blinkt, drücken Sie die Funk-Aktivierungstaste kurz, und halten Sie sie erneut gedrückt.

Löschen aller Werkzeugregistrierungen

Um alle Werkzeugregistrierungen im Staubsauger zu löschen, gehen Sie wie folgt vor.

- **Abb.35:** 1. Bereitschaftsschalter
2. Funk-Aktivierungstaste
3. Funk-Aktivierungslampe

1. Installieren Sie den Funk-Adapter am Sauggerät.
2. Setzen Sie die Akkus in den Staubsauger ein.
3. Stellen Sie den Bereitschaftsschalter auf „AUTO“.
4. Halten Sie die Funk-Aktivierungstaste etwa 6 Sekunden lang gedrückt, bis die Funk-Aktivierungslampe in Rot blinkt (etwa zweimal pro Sekunde).
5. Sobald die Funk-Aktivierungslampe in Rot zu blinken beginnt, nehmen Sie den Finger von der Funk-Aktivierungstaste. Halten Sie danach die Funk-Aktivierungstaste erneut etwa 6 Sekunden lang gedrückt.
6. Sobald die Funk-Aktivierungslampe schnell in Rot zu blinken beginnt (etwa 5-mal pro Sekunde), nehmen Sie den Finger von der Funk-Aktivierungstaste. Wenn die Funk-Aktivierungslampe in Rot aufleuchtet und später erlischt, werden alle Werkzeugregistrierungen gelöscht.

HINWEIS: Falls die Funk-Aktivierungslampe nicht in Rot blinkt, drücken Sie die Funk-Aktivierungstaste kurz, und versuchen Sie es erneut.

Beschreibung des Zustands der Funk-Aktivierungslampe

- **Abb.36:** 1. Funk-Aktivierungstaste
2. Funk-Aktivierungslampe

Die Funk-Aktivierungslampe zeigt den Zustand der Funk-Aktivierungsfunktion an. Die Bedeutung des Lampenzustands ist aus der nachstehenden Tabelle ersichtlich.

Zustand	Funk-Aktivierungslampe				Beschreibung
	Farbe	<input type="checkbox"/> Ein	<input type="checkbox"/> Blinkend	Dauer (ungefähr)	
Bereitschaft	Blau	<input checked="" type="checkbox"/>		Staubsauger: fortlaufend Werkzeug: 2 Stunden	Warten darauf, ob die Werkzeugregistrierung oder die Funk-Aktivierungsfunktion verfügbar ist. Die Lampe am Staubsauger blinkt, wenn der Bereitschaftsschalter auf „AUTO“ steht. Die Lampe am Werkzeug blinkt, wenn die Funk-Aktivierungstaste gedrückt wird. Die Lampe am Werkzeug erlischt automatisch, wenn 2 Stunden lang kein Betrieb erfolgt.
		<input type="checkbox"/>		Wenn das Werkzeug läuft.	
Werkzeugregistrierung	Grün	<input checked="" type="checkbox"/>		20 Sekunden	Bereit für die Werkzeugregistrierung. Suchen des zu registrierenden Werkzeugs.
		<input type="checkbox"/>		2 Sekunden	Die Werkzeugregistrierung ist beendet worden. Die Funk-Aktivierungslampe beginnt, in Blau zu blinken.
Aufheben/ Löschen der Werkzeugregistrierung	Rot	<input checked="" type="checkbox"/>		20 Sekunden (langsam: 2-mal/Sek.)	Bereit für die Aufhebung der Werkzeugregistrierung. Suchen des aufzuhebenden Werkzeugs.
		<input checked="" type="checkbox"/>		Wenn die Funk-Aktivierungstaste gedrückt wird.	Bereit, alle Werkzeugregistrierungen zu löschen.
		<input type="checkbox"/>		2 Sekunden	Die Werkzeugregistrierung ist aufgehoben/gelöscht worden. Die Funk-Aktivierungslampe beginnt, in Blau zu blinken.
Sonstiges	Rot	<input type="checkbox"/>		3 Sekunden	Der Funk-Adapter wird mit Strom versorgt, und die Funk-Aktivierungsfunktion wird gestartet.
	Aus	-		-	Der Bereitschaftsschalter steht nicht auf „AUTO“.

Fehlersuche für Funk-Aktivierungsfunktion

Bevor Sie den Reparaturdienst anrufen, führen Sie zunächst Ihre eigene Inspektion durch. Falls Sie ein Problem finden, das nicht in der Anleitung erläutert wird, versuchen Sie nicht, das Werkzeug zu zerlegen. Wenden Sie sich stattdessen an autorisierte Makita-Kundendienstzentren, und achten Sie darauf, dass stets Makita-Ersatzteile für Reparaturen verwendet werden.

Zustand der Unregelmäßigkeit	Wahrscheinliche Ursache (Funktionsstörung)	Abhilfemaßnahme
Die Funk-Aktivierungslampe leuchtet/blinkt nicht.	Es ist kein Funk-Adapter im Sauggerät und/oder Werkzeug installiert. Der Funk-Adapter ist falsch im Sauggerät und/oder Werkzeug installiert.	Installieren Sie den Funk-Adapter korrekt.
	Die Funk-Aktivierungstaste am Werkzeug ist nicht gedrückt worden.	Drücken Sie die Funk-Aktivierungstaste am Werkzeug kurz.
	Der Bereitschaftsschalter am Staubsauger steht nicht auf „AUTO“.	Stellen Sie den Bereitschaftsschalter am Staubsauger auf „AUTO“.
	Keine Stromversorgung	Versorgen Sie Werkzeug und Staubsauger mit Strom.
Die Werkzeugregistrierung/ Aufhebung der Werkzeugregistrierung kann nicht erfolgreich beendet werden.	Es ist kein Funk-Adapter im Sauggerät und/oder Werkzeug installiert. Der Funk-Adapter ist falsch im Sauggerät und/oder Werkzeug installiert.	Installieren Sie den Funk-Adapter korrekt.
	Der Bereitschaftsschalter am Staubsauger steht nicht auf „AUTO“.	Stellen Sie den Bereitschaftsschalter am Staubsauger auf „AUTO“.
	Keine Stromversorgung	Versorgen Sie Werkzeug und Staubsauger mit Strom.
	Falsche Bedienung	Drücken Sie die Funk-Aktivierungstaste kurz, und führen Sie die Verfahren der Registrierung/ Registrierungs-aufhebung des Werkzeugs erneut durch.
	Der Abstand zwischen Werkzeug und Staubsauger ist zu groß (außerhalb der Übertragungsreichweite).	Verkleinern Sie den Abstand zwischen Werkzeug und Staubsauger. Die maximale Übertragungsreichweite beträgt ungefähr 10 m, sie kann aber je nach den Umständen schwanken.
	Bevor Sie die Werkzeugregistrierung/ Aufhebung der Werkzeugregistrierung beenden; - der Schalter des Werkzeugs wird eingeschaltet, oder; - die Betriebstaste am Sauggerät wird eingeschaltet.	Drücken Sie die Funk-Aktivierungstaste kurz, und führen Sie die Verfahren der Registrierung/ Registrierungs-aufhebung des Werkzeugs erneut durch.
	Die Verfahren der Werkzeugregistrierung sowohl für das Werkzeug als auch den Staubsauger sind nicht beendet.	Führen Sie die Verfahren der Werkzeugregistrierung sowohl für das Werkzeug als auch den Staubsauger zum selben Zeitpunkt durch.
Funkstörungen durch andere Geräte, die starke Funkwellen erzeugen.	Halten Sie das Werkzeug und den Staubsauger von solchen Geräten wie WLAN-Geräten und Mikrowellenöfen fern.	

Zustand der Unregelmäßigkeit	Wahrscheinliche Ursache (Funktionsstörung)	Abhilfemaßnahme
Der Staubsauger läuft bei der Schalterbetätigung des Werkzeugs nicht an.	Es ist kein Funk-Adapter im Sauggerät und/oder Werkzeug installiert. Der Funk-Adapter ist falsch im Sauggerät und/oder Werkzeug installiert.	Installieren Sie den Funk-Adapter korrekt.
	Die Funk-Aktivierungstaste am Werkzeug ist nicht gedrückt worden.	Drücken Sie die Funk-Aktivierungstaste kurz, und vergewissern Sie sich, dass die Funk-Aktivierungslampe in Blau blinkt.
	Der Bereitschaftsschalter am Staubsauger steht nicht auf „AUTO“.	Stellen Sie den Bereitschaftsschalter am Staubsauger auf „AUTO“.
	Es sind mehr als 10 Werkzeuge im Staubsauger registriert.	Führen Sie die Werkzeugregistrierung erneut durch. Wenn mehr als 10 Werkzeuge im Staubsauger registriert werden, wird die Registrierung des ersten Werkzeugs automatisch gelöscht.
	Der Staubsauger hat alle Werkzeugregistrierungen gelöscht.	Führen Sie die Werkzeugregistrierung erneut durch.
	Keine Stromversorgung	Versorgen Sie Werkzeug und Staubsauger mit Strom.
	Der Abstand zwischen Werkzeug und Staubsauger ist zu groß (außerhalb der Übertragsreichweite).	Verkleinern Sie den Abstand zwischen Werkzeug und Staubsauger. Die maximale Übertragsreichweite beträgt ungefähr 10 m, sie kann aber je nach den Umständen schwanken.
	Funkstörungen durch andere Geräte, die starke Funkwellen erzeugen.	Halten Sie das Werkzeug und den Staubsauger von solchen Geräten wie WLAN-Geräten und Mikrowellenöfen fern.
Das Sauggerät läuft, während das Werkzeug außer Betrieb ist.	Andere Benutzer nutzen die Funk-Aktivierung des Staubsaugers mit ihren Werkzeugen.	Schalten Sie die Funk-Aktivierungstaste der anderen Werkzeuge aus, oder heben Sie die Werkzeugregistrierung der anderen Werkzeuge auf.
Es können nicht alle Werkzeugregistrierungen im Staubsauger gelöscht werden.	Drücken der Funk-Aktivierungstaste am Werkzeug.	Drücken Sie die Funk-Aktivierungstaste am Staubsauger, um alle Werkzeugregistrierungen zu löschen.
	Der Bereitschaftsschalter am Staubsauger steht nicht auf „AUTO“.	Stellen Sie den Bereitschaftsschalter am Staubsauger auf „AUTO“.
	Die Funk-Aktivierungstaste wird nicht korrekt gedrückt gehalten.	Halten Sie die Funk-Aktivierungstaste länger als 6 Sekunden gedrückt, und lassen Sie sie dann los, wenn die Funk-Aktivierungslampe in Rot blinkt. Halten Sie die Funk-Aktivierungstaste erneut länger als 6 Sekunden gedrückt, bis die Funk-Aktivierungslampe schnell in Rot blinkt, und lassen Sie dann die Taste los.

WARTUNG

⚠️ WARNUNG: Benutzen Sie bei der Wartung immer eine P2-Atmungschutzmaske.

⚠️ VORSICHT: Vergewissern Sie sich vor der Durchführung von Inspektions- oder Wartungsarbeiten stets, dass das Gerät ausgeschaltet ist und die Akkus abgenommen sind.

⚠️ VORSICHT: Eine technische Inspektion, einschließlich der Überprüfung der Filter, der Luftdichtheit und des Steuermechanismus, muss mindestens einmal pro Jahr von einer unterwiesenen Person durchgeführt werden.

⚠️ VORSICHT: Bei der Wartung müssen alle verunreinigten Gegenstände, die nicht zufriedenstellend gereinigt werden können, entsorgt werden. Solche Gegenstände müssen in undurchlässigen Beuteln entsorgt werden, die den Vorschriften Ihres Landes entsprechen.

⚠️ VORSICHT: Nachdem der Betrieb im Gefahrenbereich erfolgt ist, muss die Außenseite des Werkzeugs durch Staubsaugen dekontaminiert und abgewischt oder mit einem Dichtungsmittel behandelt werden, bevor Sie das Werkzeug aus dem Gefahrenbereich nehmen. Alle Teile des Werkzeugs sind als kontaminiert zu betrachten, wenn sie aus dem Gefahrenbereich entfernt werden, und es sind geeignete Maßnahmen zu ergreifen, um die Ausbreitung von Staub zu verhindern.

⚠️ VORSICHT: Wechseln Sie die Filter, wenn die Filter mit Staub verstopft sind oder Sie das Gefühl haben, dass die Leistung des Sauggerätes nachlässt.

⚠️ VORSICHT: Überprüfen Sie die Filter regelmäßig. Falls ein Filter reißt, ersetzen Sie ihn sofort.

ANMERKUNG: Verwenden Sie auf keinen Fall Benzin, Waschbenzin, Verdünner, Alkohol oder dergleichen. Solche Mittel können Verfärbung, Verformung oder Rissbildung verursachen.

Um die SICHERHEIT und ZUVERLÄSSIGKEIT dieses Produkts zu gewährleisten, sollten Reparaturen und andere Wartungs- oder Einstellarbeiten nur von Makita-Vertragswerkstätten oder Makita-Kundendienstzentren unter ausschließlicher Verwendung von Makita-Originalersatzteilen ausgeführt werden.

Entfernen der Filtereinheit

⚠️ VORSICHT: Warten Sie etwa 5 Minuten, damit sich der Staub im Tank vollständig absetzt.

⚠️ VORSICHT: Achten Sie darauf, dass beim Herausnehmen der Filtereinheit kein Staub in das Innere des Tankdeckels gelangt.

Die Filtereinheit ist an der Kopfeinheit befestigt. Sie besteht aus Deckplatte, Vorfiltern, Dämpfern und Pulverfiltern.

1. Lösen Sie die Verriegelungshaken, und heben Sie die Kopfeinheit vom Tank ab.
 2. Nehmen Sie die Filtereinheit von der Kopfeinheit ab, wie in der Abbildung gezeigt.
- **Abb.37:** 1. Klinke 2. Filtereinheit

Entfernen von Pulverfilter und Vorfilter

Heben Sie den Knopf an, und entfernen Sie die Filter von der Deckplatte.

► **Abb.38:** 1. Deckplatte 2. Filter 3. Knopf

Um zu verhindern, dass Stäube in der Luft schweben, ist es besser, die Filter im Polyethylenbeutel zu entfernen.

Wenn Sie die Filtereinheit zum Reinigen tragen, binden Sie einen Polyethylenbeutel fest zu.

► **Abb.39:** 1. Filtereinheit 2. Polyethylenbeutel

► **Abb.40:** 1. Deckplatte 2. Filter 3. Polyethylenbeutel

Reinigen von Pulverfilter, Vorfilter und Dämpfer

Säubern Sie die Filter und den Dämpfer von Zeit zu Zeit. Verstopfte Filter und Dämpfer können zu einer schlechten Saugleistung führen.

Säubern Sie die Filter und den Dämpfer regelmäßig von angesammeltem Staub.

Waschen Sie den Pulverfilter, den Vorfilter und den Dämpfer gelegentlich in Wasser aus, spülen Sie sie ab, und lassen Sie sie vor Gebrauch im Schatten gründlich trocknen. Waschen Sie die Teile niemals in einer Waschmaschine.

► **Abb.41**

HINWEIS: Unterlassen Sie Abreiben oder Abkratzen des Pulverfilters, des Vorfilters oder des Dämpfers mit harten Gegenständen, wie z. B. einer Bürste und einer Kratze.

HINWEIS: Die Filter nutzen im Laufe der Zeit ab. Es ist empfehlenswert, Ersatzfilter bereitzuhalten.

Installieren von Pulverfilter und Vorfilter

ANMERKUNG: Der Pulverfilter und der Vorfilter können sowohl trockene als auch feuchte Stäube auffangen. Vergewissern Sie sich, dass die Wasserstandssensoren ordnungsgemäß aktiviert sind, um einen Bruch des Pulverfilters zu verhindern.

Haken Sie die Kanten der Filtereinheit an der Deckplatte ein, und senken Sie dann den Knopf ab.

► **Abb.42:** 1. Kante 2. Knopf

ANMERKUNG: Stellen Sie vor der Benutzung des Pulverfilters sicher, dass Vorfilter und Dämpfer immer zusammen verwendet werden. Es ist nicht erlaubt, den Pulverfilter allein zu installieren.

Zusammensetzen der Filter

Wenn Sie die Filter einzeln erhalten, setzen Sie sie so zusammen, wie in der Abbildung gezeigt.

► **Abb.43:** 1. Pulverfilter 2. Dämpfer 3. Vorfilter

Installieren der Filtereinheit

Nachdem Sie die Filter an der Deckplatte installiert haben, haken Sie die Löcher der Filtereinheit an den U-förmigen Teilen der Innenabdeckung ein. Verriegeln Sie dann die Klinke, wie in der Abbildung gezeigt.

► **Abb.44:** 1. U-förmiger Teil 2. Loch 3. Klinke

Installieren des Wasserfilters

Sonderzubehör

ANMERKUNG: Achten Sie beim Aufsaugen von nassem Staub darauf, dass die Wasserstandssensoren ordnungsgemäß aktiviert sind.

ANMERKUNG: Benutzen Sie keinen Vorfilter und Dämpfer, wenn Sie einen Wasserfilter benutzen.

Um nur Wasser oder nassen Staub aufzufangen, ist der Wasserfilter besser geeignet als der Pulverfilter und der Vorfilter.

Wenn Sie den Wasserfilter installieren, setzen Sie den Wasserfilter wie den Pulverfilter und den Vorfilter auf die Deckplatte.

► **Abb.45**

HINWEIS: Es wird empfohlen, den Wasserfilter zu verwenden, wenn wiederholt große Wassermengen aufgesaugt werden. Andernfalls kann es im Falle des Pulverfilters und des Vorfilters zu einer Verringerung der Saugleistung kommen.

Reinigen der Wasserstandssensoren

Die Wasserstandssensoren erkennen, wenn der Tank mit Flüssigkeit gefüllt ist. Reinigen Sie die Wasserstandssensoren von Zeit zu Zeit mit einem weichen Tuch, wenn Sie die Filter wechseln.

► **Abb.46:** 1. Wasserstandssensor

Aufbewahrung von Zubehörteilen

Nicht benutztes Zubehör und Aufsätze wie Düsen, Rohre und eine Kappe können am Haken an der Rückseite des Sauggerätes aufgehängt werden.

► **Abb.47:** 1. Nicht benutztes Zubehör und Aufsätze
2. Kappe

Rohre (mit optionalem Stopper) können in den Rohrhalter gelegt werden, wenn das Sauggerät für kurze Zeit nicht verwendet wird.

► **Abb.48:** 1. Stopper (Sonderzubehör) 2. Rohrhalter

Ein Schlauch kann in großen Schlaufen um das Gehäuse oder den Handgriff des Sauggerätes gewickelt und aufbewahrt werden. Verbinden Sie seine beiden Enden zu Schlaufen, und hängen Sie die Schlaufen in den hochgeklappten Handgriff ein. Alternativ können Sie das Wurzelende im Schlaucheinlass installiert lassen und die Schlaufen mit einem angebundenen losen Ende an den Multi-Haken hängen.

► **Abb.49**

► **Abb.50**

SONDERZUBEHÖR

⚠VORSICHT: Die folgenden Zubehörteile oder Vorrichtungen werden für den Einsatz mit dem in dieser Anleitung beschriebenen Makita-Werkzeug empfohlen. Die Verwendung anderer Zubehörteile oder Vorrichtungen kann eine Verletzungsgefahr darstellen. Verwenden Sie Zubehörteile oder Vorrichtungen nur für ihren vorgesehenen Zweck.

Wenn Sie weitere Einzelheiten bezüglich dieser Zubehörteile benötigen, wenden Sie sich bitte an Ihre Makita-Kundendienststelle.

- Schlauch
- Frontmanschetten (22, 24, 38)
- Gerades Rohr
- Spitzdüse
- Rundbürste
- Pulverfilter M, H (HEPA)
- Dämpfer
- Vorfilter
- Wasserfilter
- Absaugstutzen
- Gebogenes Rohr
- Polyethylenbeutel
- Filterbeutel
- Kappe
- Original-Makita-Akku und -Ladegerät
- Funk-Adapter
- MAKPAC

HINWEIS: Manche Teile in der Liste können als Standardzubehör im Werkzeugsatz enthalten sein. Sie können von Land zu Land unterschiedlich sein.

Makita Europe N.V. Jan-Baptist Vinkstraat 2,
3070 Kortenberg, Belgium

Makita Corporation 3-11-8, Sumiyoshi-cho,
Anjo, Aichi 446-8502 Japan

www.makita.com

885990-979 EN, PL, HU, SK, CS, UK, RO, DE 20220831
