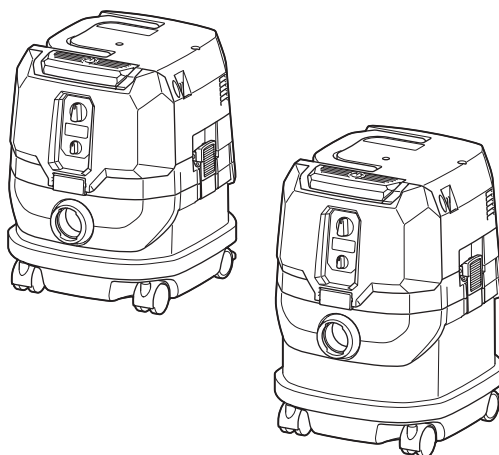
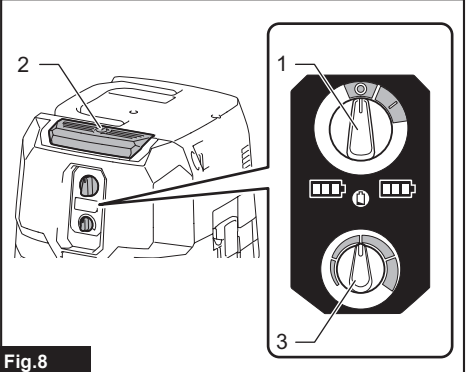
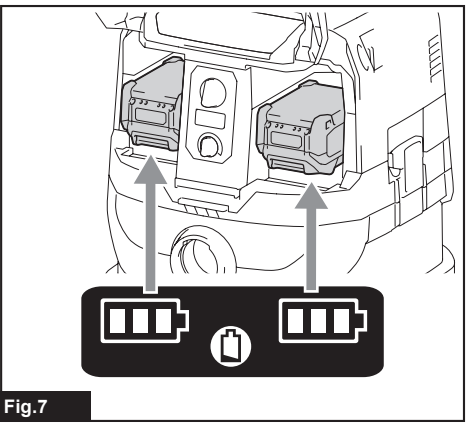
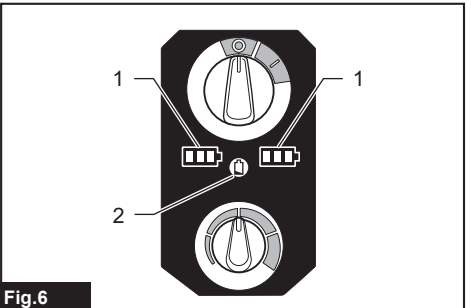
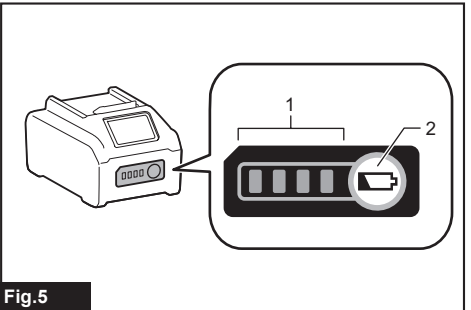
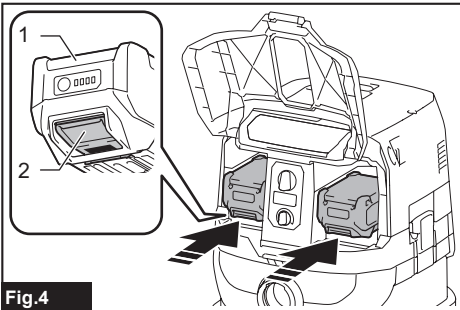
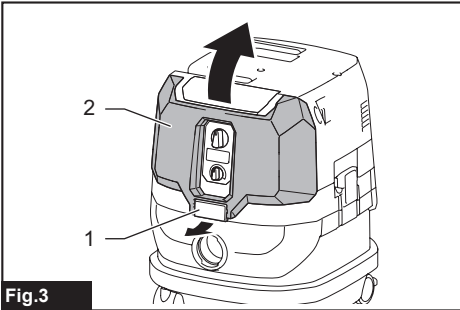
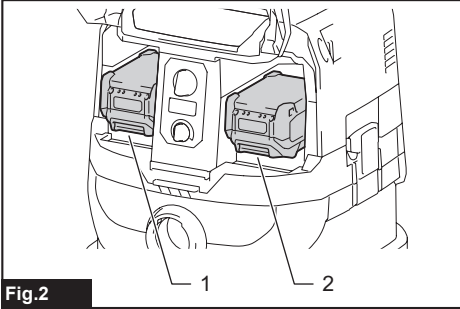
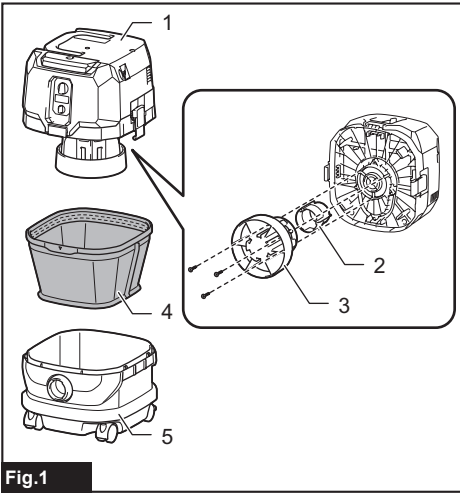


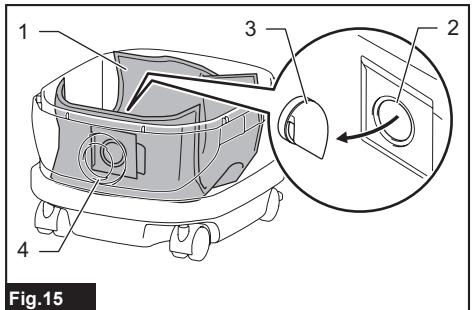
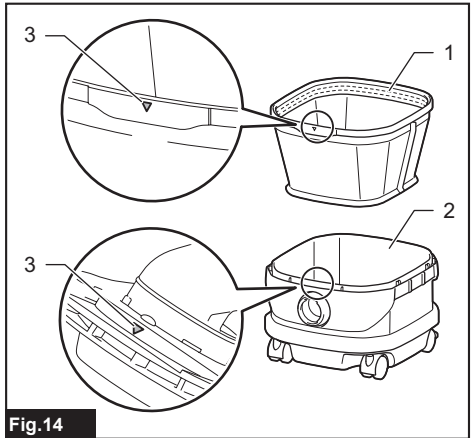
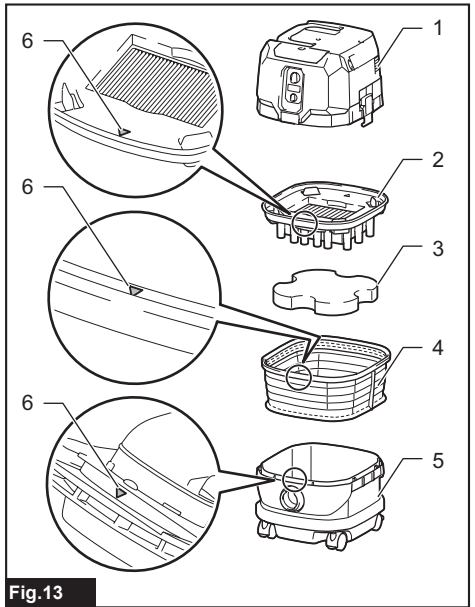
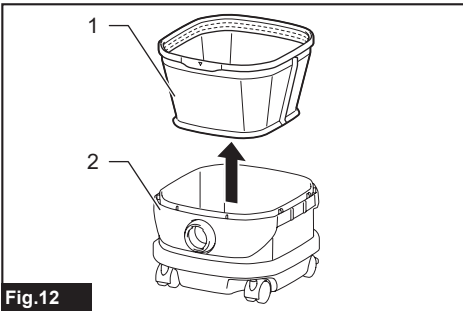
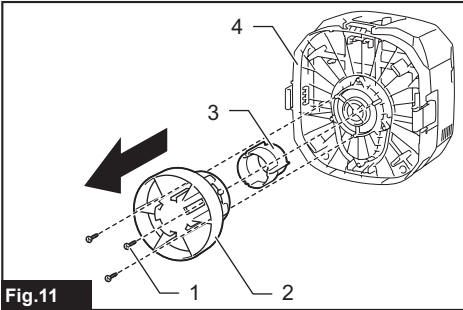
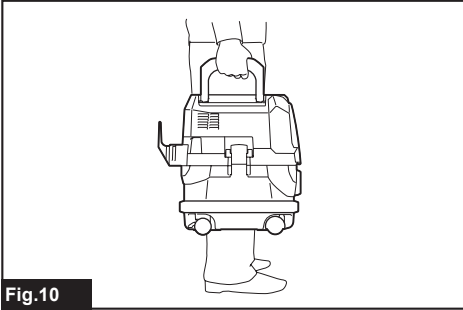
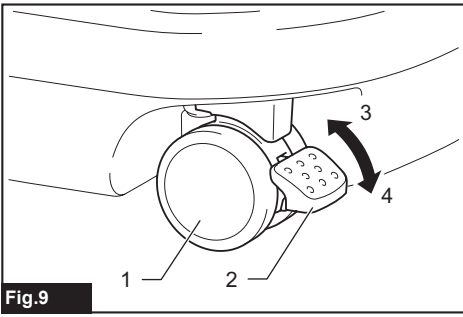


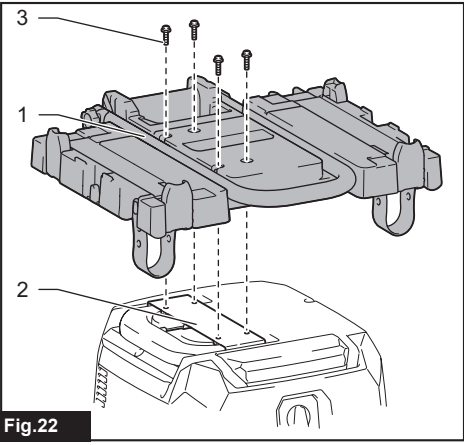
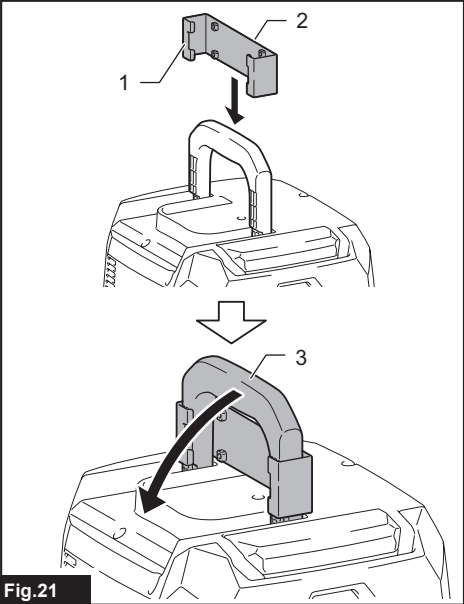
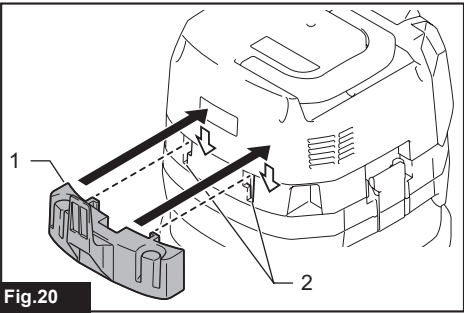
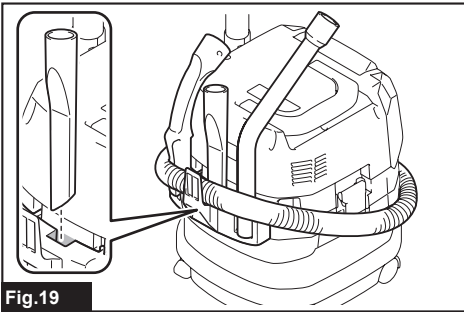
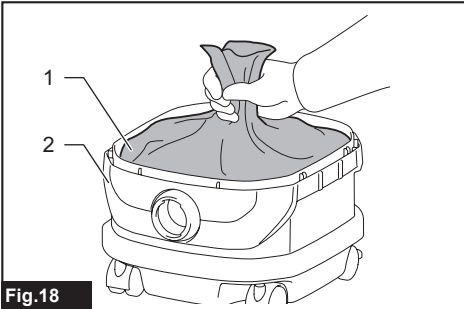
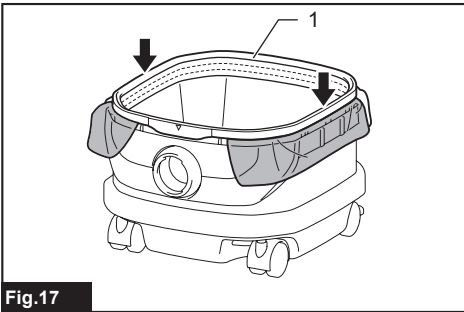
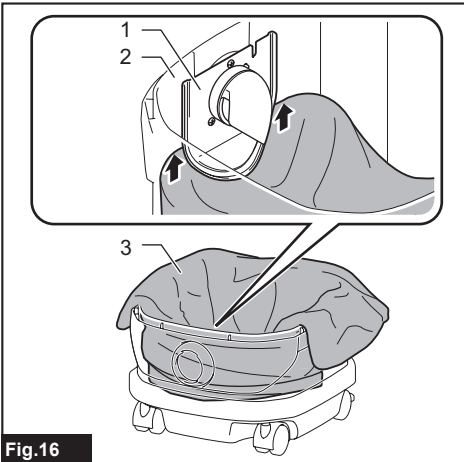
EN	Cordless Vacuum Cleaner	INSTRUCTION MANUAL	7
PL	Odkurzacz akumulatorowy	INSTRUKCJA OBSŁUGI	17
HU	Vezeték nélküli porszívó	HASZNÁLATI KÉZIKÖNYV	28
SK	Akumulátorový vysávač	NÁVOD NA OBSLUHU	38
CS	Bezdrátový akumulátorový vysavač	NÁVOD K OBSLUZE	48
UK	Акумуляторний пилосос	ІНСТРУКЦІЯ З ЕКСПЛУАТАЦІЇ	58
RO	Aspirator fără cablu	MANUAL DE INSTRUCȚIUNI	69
DE	Akku-Staubsauger	BETRIEBSANLEITUNG	80

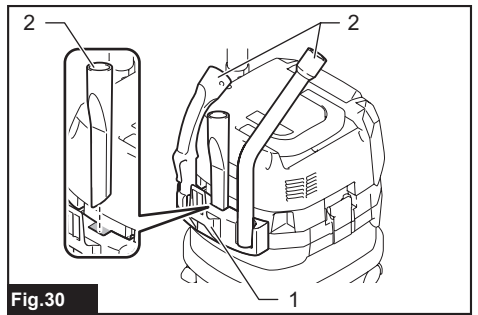
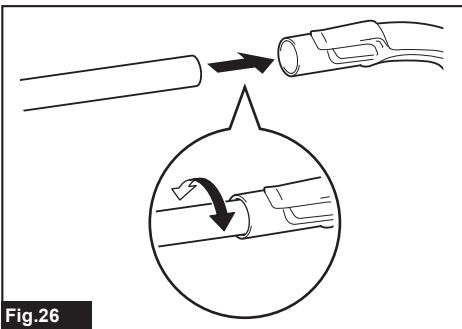
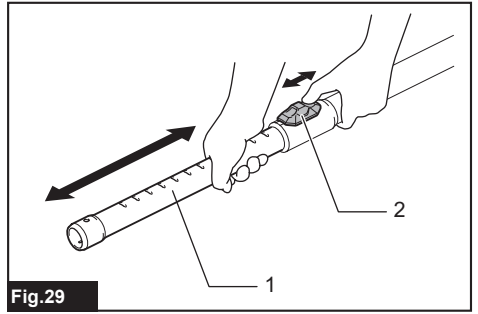
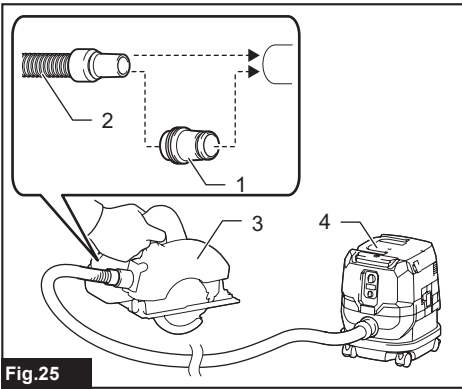
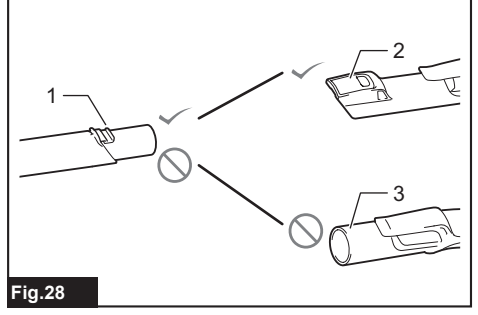
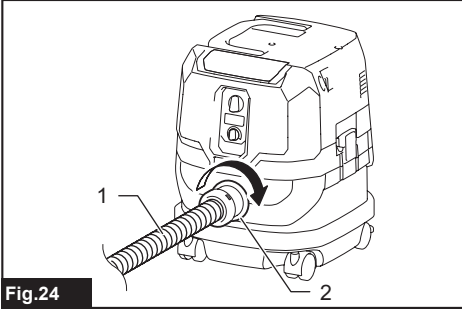
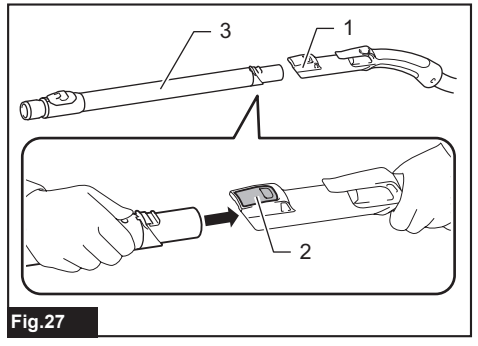
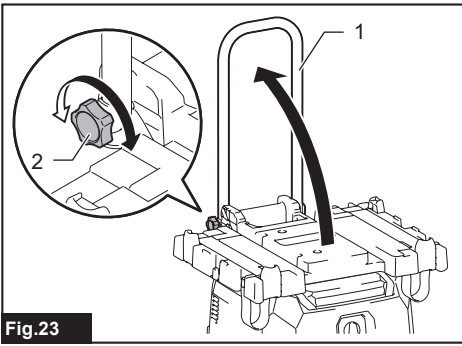
VC001GL
VC003GL











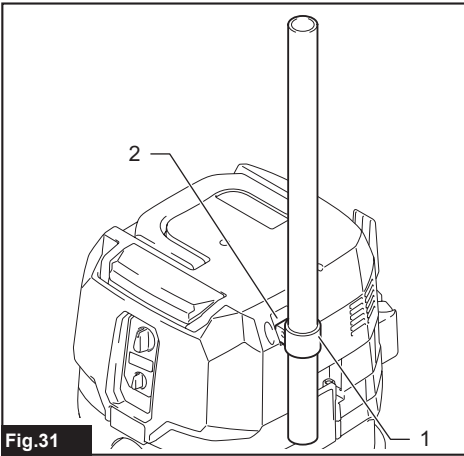


Fig.31

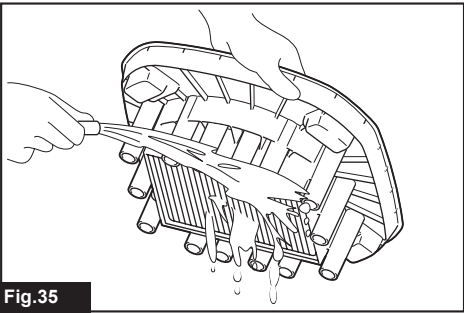


Fig.35

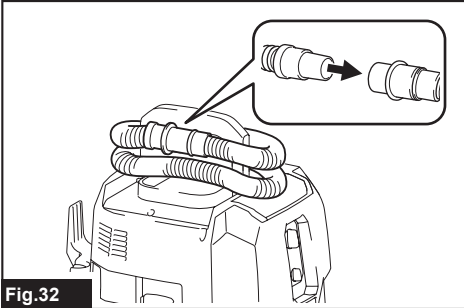


Fig.32

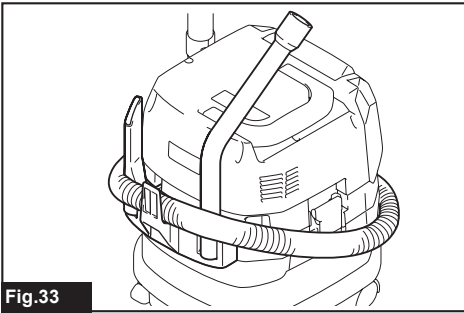


Fig.33

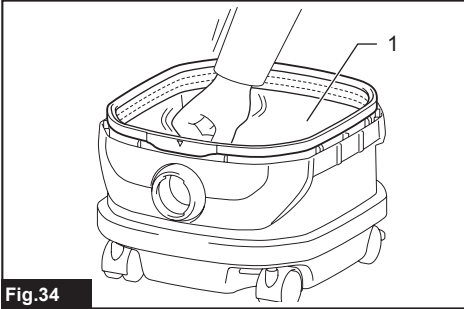


Fig.34

WARNING

- This machine is not intended for use by persons including children with reduced physical, sensory or mental capabilities, or lack of experience and knowledge.
- Children should be supervised to ensure that they do not play with the cleaner.
- See the chapter "SPECIFICATIONS" for the type reference of the battery.
- See the section "Installing or removing battery cartridge" for how to remove or install the battery.
- When disposing the battery cartridge, remove it from the tool and dispose of it in a safe place. Follow your local regulations relating to disposal of battery.
- If the tool is not used for a long period of time, the battery must be removed from the tool.
- Do not short the battery cartridge.
- See the chapter "MAINTENANCE" for the appropriate details of precautions during user maintenance.

SPECIFICATIONS

Model:		VC001GL	VC003GL
Standard filter type		Cloth filter (for dry and wet dust)	
Maximum air volume (with BL4040, ø32 mm x 1.7 m hose)		2.7 m ³ /min	
Vacuum (with BL4040, ø32 mm x 1.7 m hose)		23 kPa	
Recoverable capacity	Dust	8 L	15 L
	Water	6 L	12 L
Dimensions (L x W x H)		366 mm x 334 mm x 425 mm	366 mm x 334 mm x 475 mm
Rated voltage		D.C. 36 V - 40 V max	
Net weight		8.1 - 11.2 kg	8.4 - 11.5 kg
Protection degree		IPX4	

- Due to our continuing program of research and development, the specifications herein are subject to change without notice.
- Specifications and battery cartridge may differ from country to country.
- The weight does not include accessories but battery cartridge(s). The lightest and heaviest combination weight of the appliance and battery cartridge(s) are shown in the table.
- For wet dust, the float and the water filter or cloth filter are required.

Applicable battery cartridge and charger

Battery cartridge	BL4020 / BL4025 / BL4040* / BL4050F* / BL4080F* *: Recommended battery
Charger	DC40RA / DC40RB / DC40RC

- Some of the battery cartridges and chargers listed above may not be available depending on your region of residence.

⚠ WARNING: Only use the battery cartridges and chargers listed above. Use of any other battery cartridges and chargers may cause injury and/or fire.

Symbols

The followings show the symbols which may be used for the equipment. Be sure that you understand their meaning before use.



Read instruction manual.



Take particular care and attention.



Warning! The cleaner may contain hazardous dust.



Never stand on the cleaner.



Dust class L (light). The cleaners are capable of picking up dust class L. Follow your country's regulations relating to dusts and to occupational health and safety.



Only for EU countries
Due to the presence of hazardous components in the equipment, waste electrical and electronic equipment, accumulators and batteries may have a negative impact on the environment and human health. Do not dispose of electrical and electronic appliances or batteries with household waste!

In accordance with the European Directive on waste electrical and electronic equipment and on accumulators and batteries and waste accumulators and batteries, as well as their adaptation to national law, waste electrical equipment, batteries and accumulators should be stored separately and delivered to a separate collection point for municipal waste, operating in accordance with the regulations on environmental protection.

This is indicated by the symbol of the crossed-out wheeled bin placed on the equipment.

Intended use

The appliance is intended for collecting both wet and dry dust. The appliance is suitable for commercial use, for example in hotels, schools, hospitals, factories, shops, offices and rental businesses.

Noise

The typical A-weighted noise level determined according to EN60335-2-69:

Model VC001GL

Sound pressure level (L_{pA}) : 70 dB(A) or less
Uncertainty (K) : 2.5 dB(A)

Model VC003GL

Sound pressure level (L_{pA}) : 70 dB(A) or less
Uncertainty (K) : 2.5 dB(A)

The noise level under working may exceed 80 dB (A).

NOTE: The declared noise emission value(s) has been measured in accordance with a standard test method and may be used for comparing one tool with another.

NOTE: The declared noise emission value(s) may also be used in a preliminary assessment of exposure.

⚠ WARNING: Wear ear protection.

⚠ WARNING: The noise emission during actual use of the power tool can differ from the declared value(s) depending on the ways in which the tool is used especially what kind of workpiece is processed.

⚠ WARNING: Be sure to identify safety measures to protect the operator that are based on an estimation of exposure in the actual conditions of use (taking account of all parts of the operating cycle such as the times when the tool is switched off and when it is running idle in addition to the trigger time).

Vibration

The vibration total value (tri-axial vector sum) determined according to EN60335-2-69:

Model VC001GL

Vibration emission ($a_{h,M}$) : 2.5 m/s² or less
Uncertainty (K) : 1.5 m/s²

Model VC003GL

Vibration emission ($a_{h,M}$) : 2.5 m/s² or less
Uncertainty (K) : 1.5 m/s²

NOTE: The declared vibration total value(s) has been measured in accordance with a standard test method and may be used for comparing one tool with another.

NOTE: The declared vibration total value(s) may also be used in a preliminary assessment of exposure.

⚠ WARNING: The vibration emission during actual use of the power tool can differ from the declared value(s) depending on the ways in which the tool is used especially what kind of workpiece is processed.

⚠ WARNING: Be sure to identify safety measures to protect the operator that are based on an estimation of exposure in the actual conditions of use (taking account of all parts of the operating cycle such as the times when the tool is switched off and when it is running idle in addition to the trigger time).

EC Declaration of Conformity

For European countries only

The EC declaration of conformity is included as Annex A to this instruction manual.

SAFETY WARNINGS

Cordless vacuum cleaner safety warnings

⚠ WARNING: IMPORTANT! READ CAREFULLY all safety warnings and all instructions BEFORE USE. Failure to follow the warnings and instructions may result in electric shock, fire and/or serious injury.

1. Before use, make sure that this cleaner must be used by people who have been adequately instructed on the use of this cleaner.
2. Before use, operators shall be provided with information, instruction and training for the use of the machine and the substances for which it is to be used, including the safe method of removal and disposal of the material collected.
3. If foam/liquid comes out, switch off immediately.
4. Clean the water level limiting device regularly and examine it for signs of damage.
5. Always make sure that filters are correctly installed before use. Do not use the cleaner without filters in place. Replace a damaged filter immediately. It is recommended to have some spares as filters are consumable items.

6. **AVOID UNINTENTIONAL STARTING.** Be sure switch is OFF when installing battery(ies).
7. Do not attempt to pick up flammable materials, fire works, lighted cigarettes, hot ashes, hot metal chips, sharp materials such as razors, needles, broken glass or the like.
8. **NEVER USE THE CLEANER IN THE VICINITY OF GASOLINE, GAS, PAINT, ADHESIVES OR OTHER HIGHLY EXPLOSIVE SUBSTANCES.** The switch emits sparks when turned ON and OFF. And so does the motor commutator during operation. A dangerous explosion may result.
9. Never vacuum up toxic, carcinogenic, combustible or other hazardous materials such as asbestos, arsenic, barium, beryllium, lead, pesticides, or other health endangering materials.
10. Always place the cleaner on a horizontal flat surface to prevent it from falling or moving unintentionally.
11. Never use the cleaner outdoors in the rain.
12. For Finland, this machine is not to be used outdoors at low temperature.
13. Do not use close to heat sources (stoves, etc.).
14. If the exhaust air is returned to the room, it is necessary to provide for an adequate air change rate in the room. Reference to National regulations is necessary.
15. Do not block suction inlet/outlet/cooling vents. These vents permit cooling of the motor. Blockage should be carefully avoided otherwise the motor will burn out due to a lack of ventilation.
16. Keep proper footing and balance at all times.
17. Do not fold, tug or step on the hose.
18. Stop the cleaner immediately if you notice poor performance or anything abnormal during operation.
19. **REMOVE THE BATTERY(IES).** When not in use, before servicing, and when changing accessories.
20. Clean and service the cleaner immediately after each use to keep it in tiptop operating condition.
21. **MAINTAIN THE CLEANER WITH CARE.** Keep the cleaner clean for better and safer performance. Follow instructions for changing accessories. Keep handles dry, clean, and free from oil and grease.
22. **CHECK DAMAGED PARTS.** Before further use of the cleaner, a guard or other part that is damaged should be carefully checked to determine that it will operate properly and perform its intended function. Check for alignment of moving parts, binding of moving parts, breakage of parts, mounting, and any other conditions that may affect its operation. A guard or other part that is damaged should be properly repaired or replaced by an authorized service center unless otherwise indicated elsewhere in this instruction manual. Have defective switches replaced by authorized service center. Don't use the cleaner if switch does not turn it on and off.
23. For user servicing, the machine shall be dismantled, cleaned and serviced, as far as is reasonably practicable, without causing risk to the maintenance staff and others.
24. The machine should be technically inspected by the manufacturer, or an instructed person, at least annually, consisting of, for example, inspection of filters for damage, air tightness of the machine and proper function of the control mechanism.
25. When carrying out service or repair operations, all contaminated items which cannot be satisfactorily cleaned are to be disposed of; such items shall be disposed of in impervious bags in accordance with any current regulation for the disposal of such waste.
26. **REPLACEMENT PARTS.** When servicing, use only identical replacement parts.
27. When not in use, always store the cleaner indoors.
28. Wet filters and the interior part of the liquid container shall be dried before storage.
29. Be kind to your cleaner. Rough handling can cause breakage of even the most sturdily built cleaner.
30. Do not attempt to clean the exterior or interior with benzine, thinner or cleaning chemicals. Cracks and discoloration may be caused.
31. Do not use cleaner in an enclosed space where flammable, explosive or toxic vapors are given off by oil-base paint, paint-thinner, gasoline, some mothproofing substances, etc., or in areas where flammable dust is present.
32. Do not operate the cleaner or any tool while under the influence of drugs or alcohol.
33. As a basic rule of safety, use safety goggles or safety glasses with side shields.
34. Use a dust mask in dusty work conditions.
35. This machine is not intended for use by persons including children with reduced physical, sensory or mental capabilities, or lack of experience and knowledge.
36. Children should be supervised to ensure that they do not play with the cleaner.
37. Never handle battery(ies) and cleaner with wet hands.
38. Use extreme caution when cleaning on stairs.
39. Do not use the cleaner as a stool or work bench. The machine may fall down and may result in personal injury.

Battery tool use and care

1. **Recharge only with the charger specified by the manufacturer.** A charger that is suitable for one type of battery pack may create a risk of fire when used with another battery pack.
2. **Use power tools only with specifically designated battery packs.** Use of any other battery packs may create a risk of injury and fire.
3. **When battery pack is not in use, keep it away from other metal objects, like paper clips, coins, keys, nails, screws or other small metal objects, that can make a connection from one terminal to another.** Shorting the battery terminals together may cause burns or a fire.

4. Under abusive conditions, liquid may be ejected from the battery; avoid contact. If contact accidentally occurs, flush with water. If liquid contacts eyes, additionally seek medical help. Liquid ejected from the battery may cause irritation or burns.
5. Do not use a battery pack or tool that is damaged or modified. Damaged or modified batteries may exhibit unpredictable behaviour resulting in fire, explosion or risk of injury.
6. Do not expose a battery pack or tool to fire or excessive temperature. Exposure to fire or temperature above 130 °C may cause explosion.
7. Follow all charging instructions and do not charge the battery pack or tool outside the temperature range specified in the instructions. Charging improperly or at temperatures outside the specified range may damage the battery and increase the risk of fire.
10. The contained lithium-ion batteries are subject to the Dangerous Goods Legislation requirements. For commercial transports e.g. by third parties, forwarding agents, special requirement on packaging and labeling must be observed. For preparation of the item being shipped, consulting an expert for hazardous material is required. Please also observe possibly more detailed national regulations. Tape or mask off open contacts and pack up the battery in such a manner that it cannot move around in the packaging.

SAVE THESE INSTRUCTIONS.

⚠WARNING: DO NOT let comfort or familiarity with product (gained from repeated use) replace strict adherence to safety rules for the subject product. MISUSE or failure to follow the safety rules stated in this instruction manual may cause serious personal injury.

Important safety instructions for battery cartridge

1. Before using battery cartridge, read all instructions and cautionary markings on (1) battery charger, (2) battery, and (3) product using battery.
2. Do not disassemble or tamper the battery cartridge. It may result in a fire, excessive heat, or explosion.
3. If operating time has become excessively shorter, stop operating immediately. It may result in a risk of overheating, possible burns and even an explosion.
4. If electrolyte gets into your eyes, rinse them out with clear water and seek medical attention right away. It may result in loss of your eyesight.
5. Do not short the battery cartridge:
 - (1) Do not touch the terminals with any conductive material.
 - (2) Avoid storing battery cartridge in a container with other metal objects such as nails, coins, etc.
 - (3) Do not expose battery cartridge to water or rain.

A battery short can cause a large current flow, overheating, possible burns and even a breakdown.

6. Do not store and use the tool and battery cartridge in locations where the temperature may reach or exceed 50 °C (122 °F).
7. Do not incinerate the battery cartridge even if it is severely damaged or is completely worn out. The battery cartridge can explode in a fire.
8. Do not nail, cut, crush, throw, drop the battery cartridge, or hit against a hard object to the battery cartridge. Such conduct may result in a fire, excessive heat, or explosion.
9. Do not use a damaged battery.

11. When disposing the battery cartridge, remove it from the tool and dispose of it in a safe place. Follow your local regulations relating to disposal of battery.
12. Use the batteries only with the products specified by Makita. Installing the batteries to non-compliant products may result in a fire, excessive heat, explosion, or leak of electrolyte.
13. If the tool is not used for a long period of time, the battery must be removed from the tool.
14. During and after use, the battery cartridge may take on heat which can cause burns or low temperature burns. Pay attention to the handling of hot battery cartridges.
15. Do not touch the terminal of the tool immediately after use as it may get hot enough to cause burns.
16. Do not allow chips, dust, or soil stuck into the terminals, holes, and grooves of the battery cartridge. It may cause heating, catching fire, burst and malfunction of the tool or battery cartridge, resulting in burns or personal injury.
17. Unless the tool supports the use near high-voltage electrical power lines, do not use the battery cartridge near a high-voltage electrical power lines. It may result in a malfunction or breakdown of the tool or battery cartridge.
18. Keep the battery away from children.

SAVE THESE INSTRUCTIONS.

⚠CAUTION: Only use genuine Makita batteries. Use of non-genuine Makita batteries, or batteries that have been altered, may result in the battery bursting causing fires, personal injury and damage. It will also void the Makita warranty for the Makita tool and charger.

Tips for maintaining maximum battery life

1. Charge the battery cartridge before completely discharged. Always stop tool operation and charge the battery cartridge when you notice less tool power.
2. Never recharge a fully charged battery cartridge. Overcharging shortens the battery service life.
3. Charge the battery cartridge with room temperature at 10 °C - 40 °C (50 °F - 104 °F). Let a hot battery cartridge cool down before charging it.
4. When not using the battery cartridge, remove it from the tool or the charger.
5. Charge the battery cartridge if you do not use it for a long period (more than six months).

PARTS DESCRIPTION

► **Fig.1:** 1. Head unit 2. Float 3. Float cage 4. Cloth filter 5. Tank

FUNCTIONAL DESCRIPTION

CAUTION: Always be sure that the appliance is switched off and the battery cartridges are removed before adjusting or checking function on the appliance.

Installing or removing battery cartridge

CAUTION: Always switch off the appliance before installing or removing battery cartridges.

CAUTION: Hold the cleaner and battery cartridges firmly when installing or removing battery cartridges. Failure to do so may cause them to slip off your hands, resulting in damage to the cleaner and battery cartridges or personal injury.

CAUTION: Be careful not to pinch your fingers when opening or closing the battery cover. Failure to do so may cause personal injury.

The cleaner has double battery slots. With two identical batteries in parallel, you can extend your running time in one or more uses without having to stop to recharge batteries. The cleaner also works with a single battery, so you can choose with either double batteries or single battery according to your needs.

► **Fig.2:** 1. Left battery slot 2. Right battery slot

With double batteries

Continuous drive with two batteries allows longer run-time and more efficient cleaning. When the first battery is becoming empty, the cleaner automatically switches a power source, so it continues working with the second battery.

NOTE: The left battery slot (when facing the front of the cleaner) has priority over the right battery slot. The right battery slot will only be identified as a power source, either when no battery is installed in the left battery slot or the battery in the left battery slot becomes empty.

NOTE: You can remove the battery from the left battery slot and recharge it after the cleaner has switched its power source from the left battery slot to the right without ceasing operation. To give priority back to the left battery slot after installing a recharged battery, restart the cleaner.

With a single battery

Only one battery is required as a power source in either the left or right battery slot. The cleaner automatically determines which battery slot is available according to operating conditions.

Installation and uninstallation

To install battery cartridges, release the lock first, and open the battery cover. Then insert the battery cartridges.

► **Fig.3:** 1. Lock 2. Battery cover

Align the tongues on the battery cartridges with the grooves in the battery housing and slip them into place. Insert them all the way until they lock in place with a little click.

Then lock the battery cover.

► **Fig.4:** 1. Battery cartridge 2. Button

To remove the battery cartridges, slide them out of the battery housing while pressing and holding the buttons in front of the cartridges.

CAUTION: Always install the battery cartridge fully. If not, it may accidentally fall out of the appliance, causing injury to you or someone around you.

CAUTION: Do not install the battery cartridge forcibly. If the cartridge does not slide in easily, it is not being inserted correctly.

NOTE: When the cleaner switches the power source from the first battery to the second, it may require a temporary halt in operations, causing a slight loss of suction. Please note that it is not malfunction so the cleaner recovers and resumes operations immediately after the pause.

Indicating the remaining battery capacity

Press the check button on the battery cartridge to indicate the remaining battery capacity. The indicator lamps light up for a few seconds.

► **Fig.5:** 1. Indicator lamps 2. Check button

Indicator lamps			Remaining capacity
Lighted	Off	Blinking	
■ ■ ■ ■			75% to 100%
■ ■ ■ □			50% to 75%
■ ■ □ □			25% to 50%
■ □ □ □			0% to 25%
▣ □ □ □			Charge the battery.
■ ■ □ □			The battery may have malfunctioned.
□ □ ■ ■			

NOTE: Depending on the conditions of use and the ambient temperature, the indication may differ slightly from the actual capacity.







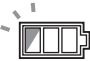

NOTE: The first (far left) indicator lamp will blink when the battery protection system works.

Battery indicators on control panel

The remaining battery capacity can be read on the control panel at any time. Press the check button, and the left and right indicators will show the battery charge levels correspondingly.

► **Fig.6:** 1. Battery indicators 2. Check button

► **Fig.7**

Battery indicator status			Remaining battery capacity
On	Off	Blinking	
			50% to 100%
			
			20% to 50%
			0% to 20%
			Charge the battery
			Battery not inserted

NOTE: The battery indicators will also be activated when the cleaner starts functioning or switches its power source from one to another.



Appliance / battery protection system

The appliance is equipped with an appliance/battery protection system. This system automatically cuts off power to the motor to extend appliance and battery life. The appliance will automatically stop during operation if the appliance or battery is placed under one of the following conditions:

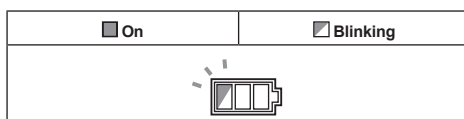
Overload protection

When the appliance/battery is operated in a manner that causes it to draw an abnormally high current, the appliance automatically stops. In this situation, turn the appliance off and stop the application that caused the appliance to become overloaded. Then turn the appliance on to restart.

Overheat protection

On	Blinking
	

When the appliance is overheated, the appliance stops automatically, and both left and right battery indicators blink. In this situation, let the appliance cool down before turning the appliance on again.



When the battery is overheated, the appliance stops automatically, and one of the indicators for overheated battery blinks. In this situation, let the battery cool down before turning the appliance on again.

Overdischarge protection

When the battery capacity becomes low, the appliance stops automatically. If the appliance does not run along with the switch operation, remove the batteries from the appliance and recharge them.

Protections against other causes

Protection system is also designed for other causes that could damage the appliance and allows the appliance to stop automatically. Take all the following steps to clear the causes, when the appliance has been brought to a temporary halt or stop in operation.

1. Turn the appliance off, and then turn it on again to restart.
2. Charge the battery(ies) or replace it/them with recharged battery(ies).
3. Let the appliance and battery(ies) cool down.

If no improvement can be found by restoring protection system, then contact your local Makita Service Center.

Switch action

Turning cleaner on

1. Turn the stand-by switch in the "I" (ON) position to have the cleaner ready in stand-by mode.
2. Press the power button.
To switch back to stand-by mode, press the power button again.

Turning cleaner off

Perform one of the following steps.

- Press the power button to set the cleaner back in stand-by mode, and then turn the stand-by switch in the "O" (OFF) position.
- Turn the stand-by switch in the "O" (OFF) position.

Adjusting suction power

The suction power can be adjusted according to your work needs.

- Turn the suction force adjusting knob to the left to reduce the suction power.
- Turn the suction force adjusting knob to the right to increase the suction power.

► **Fig.8:** 1. Stand-by switch 2. Power button 3. Suction force adjusting knob

Auto-suction stop during wet suction operation

⚠ WARNING: Do not use for a long time while the float is at work. Using the cleaner with its float at work for a long time can cause overheat, resulting in the cleaner deformation.

⚠ WARNING: Do not pick up foam or soapy liquid. It can cause foam to come out of air exit before the float works. Continuous use under such conditions may cause an electric shock and breakage of the cleaner.

The auto-suction stop feature works only while the cleaner is used with the float and float cage. The cleaner has a float mechanism that prevents water from entering into the motor when picking up more than a certain amount of water. When the tank is full and the cleaner no longer picks up water, switch off the cleaner and empty the tank.

Locking and unlocking casters

Rear casters can be locked with stoppers to help the cleaner stand still. Lower the stopper lever by hand to lock the caster, and raise it up to release.

► **Fig.9:** 1. Caster 2. Stopper lever 3. Unlocked position 4. Locked position

NOTE: When moving the cleaner, make sure that the caster is unlocked. Moving the cleaner with the caster in a locked position may cause damage to the caster.

Carriage handle

⚠ CAUTION: Lift and carry the appliance with due care. Failing to do so may result in personal injury or damage to the appliance.

When carrying the cleaner, carry it by holding the handle on the head unit. The handle is retractable on the head unit when not in use.

► **Fig.10**

ASSEMBLY

⚠ CAUTION: Always be sure that the appliance is switched off and the battery cartridges are removed before carrying out any work on the appliance.

⚠ CAUTION: Always wear dust mask during assembly or maintenance.

Installing powder filter (HEPA) and prefilter (for dry dust)

Optional accessory

⚠ CAUTION: Never pick up water or other liquids or wet dusts when using the powder filter. Picking up such things may cause the powder filter breakage.

To use powder filter:

1. Loosen the screws securing the float cage, and then remove the screws, float cage and float from the head unit.

► **Fig.11:** 1. Screw 2. Float cage 3. Float 4. Head unit

2. Remove the cloth filter out of the tank.

► **Fig.12:** 1. Cloth filter 2. Tank

3. Place the prefilter into the tank aligning the mounting position markings on the prefilter and tank.

4. Set the damper into the prefilter, and then place the powder filter over the damper aligning the mounting position markings on the powder filter and prefilter.

5. Mount the head unit over the tank and secure them with the locking latches.

► **Fig.13:** 1. Head unit 2. Powder filter (HEPA) 3. Damper 4. Prefilter 5. Tank 6. Mounting position marking

NOTICE: Before using the powder filter, make sure that prefilter and damper are used together. It is not allowed to install powder filter alone.

Installing water filter

Optional accessory

NOTICE: Never pick up water or wet dust without the float and the cloth filter or the water filter.

NOTICE: For picking up wet dust, make sure that the float cage and the float are installed on the cleaner.

NOTICE: When installing the water filter on the tank, set it tight at the opening of the tank so that the hook of the water filter engages the tank opening firmly and there is no space between the water filter and the tank.

To pick up water or wet dust only, the water filter is more suitable than the cloth filter.

When installing the water filter, align its mounting position marking with the one on the tank.

► **Fig.14:** 1. Water filter 2. Tank 3. Mounting position marking

NOTE: It is recommended using water filter when picking up large amount of water repeatedly. Otherwise vacuum ability may be reduced in case of cloth filter.

Installing paper pack

Optional accessory

⚠ WARNING: Before using a paper pack, make sure that the cloth filter or prefilter is used together. Failure to use the cloth filter / prefilter together may cause unusual noise and heat, resulting in a fire.

NOTICE: Never pick up water or other liquids or wet dusts when using a paper pack. Picking up such things may cause the paper pack breakage.

NOTICE: When using the cloth filter, make sure that the float and the float cage are attached on the head unit.

NOTICE: When using the prefilter, make sure that the powder filter and the damper are used together.

1. Unfold a paper pack.
 2. Align the paper pack opening with the dust intake of the tank.
 3. Install the paper pack into the tank with its cardboard opening hooked on the paper pack holder.
- **Fig.15:** 1. Paper pack 2. Cardboard opening 3. Paper pack holder 4. Dust intake

Installing polyethylene bag

With a polyethylene bag installed in the tank, you can easily empty the tank without letting your hands dirty.

Lay a polyethylene bag over the tank, and slip one side of the top edge of the bag at its open end in between the holder plate and the front wall of the tank.

- **Fig.16:** 1. Holder plate 2. Front wall of tank 3. Polyethylene bag

Spread the other top edges of the bag outwards over the top rims of the tank. Place the cloth filter or prefilter over the polyethylene bag to fasten the opening of the bag securely.

- **Fig.17:** 1. Cloth filter / prefilter

NOTE: A polyethylene bag available on the market can be used. 0.04 mm or thicker one is recommended.

NOTE: Too much dust will tear the bag easily, so do not collect the dust more than the half of the bag capacity.

Emptying tank with polyethylene bag

⚠ WARNING: Always make sure that the cleaner is switched off and the battery cartridges are removed before emptying the tank. Failure to do so may cause an electric shock and serious personal injury.

NOTICE: Do not apply a great impact on the float cage and tank. Applying a great impact may cause deformation and damage to the parts.

NOTICE: Empty the tank at least once a day although this depends on picked-up dust volume in the tank. Or, the suction force will weaken and the motor may be broken.

NOTICE: Do not grab the hooks or latches when emptying the tank. Grabbing the hooks or latches may cause them to break.

Release the locking latches and lift the head unit up off the tank.

Shake off dust from the cloth filter or prefilter before lifting the filter away from the tank.

Then remove the polyethylene bag out of the tank, closing the opening of the bag by hand.

- **Fig.18:** 1. Polyethylene bag 2. Tank

NOTE: Take the polyethylene bag out of the tank carefully to avoid it from being scratched and torn by the edges inside the tank.

NOTE: Empty the polyethylene bag before it becomes full. Too much dust in the tank may cause the polyethylene bag to be torn.

Installing multi hook

Use the multi hook to hold a hose, accessories and attachments not in use in place, and you can quickly take them out according to your preferences.

- **Fig.19**

Place the multi hook over the mounting base at the rear of the cleaner, setting the rails on the multi hook along the grooves on the mounting base.

- **Fig.20:** 1. Multi hook 2. Mounting base

Installing MAKPAC adapter

Optional accessory

Connectable and stackable MAKPAC storage cases can be installed on top of the cleaner with an optional adapter. The cases are available in many sizes and styles to suit your preferences.

Place the mounting base hook over the handle of the cleaner with its mounting surface facing upwards when the handle is folded into the closed position.

- **Fig.21:** 1. Mounting base hook 2. Mounting surface 3. Handle

Mount the MAKPAC adapter onto the mounting base hook, and secure them together with four screws provided.

- **Fig.22:** 1. MAKPAC adapter 2. Mounting base hook 3. Screw

Lift the push bar up and tighten the knob to prepare installing the MAKPAC cases onto the cleaner.

- **Fig.23:** 1. Push bar 2. Knob

NOTE: For details on installing the MAKPAC cases, refer to the instructions provided with the MAKPAC adapter and cases.

Installing hose

NOTICE: Never force the hose for bending or stamp it. Never move the cleaner by pulling the hose. Forcing, stamping and pulling the hose may cause a breakage or deformation of the hose.

NOTICE: When picking up large wastes such as planer carvings, concrete dusts or similar other than small wastes, use the 38 mm inner diameter hose (optional accessory). Using the 28 mm inner diameter hose (optional accessory) may cause a hose stuffing and damage.

Connection to cleaner

Insert the hose end to the dust intake (hose inlet) of the cleaner, then turn it clockwise until it locks in place.

► **Fig.24:** 1. Hose 2. Dust intake (hose inlet)

Connections with your work tools (Country specific)

By connecting the vacuum cleaner to any available work tools compatible with the cleaner, it works as a dust extractor for your power tools.

Select one of the front cuffs or joints (optional accessories) as most suitable for your tool model. Place the cuffs or joint, as necessary, between the front end of the cleaner hose and a dust extraction port of your tool.

► **Fig.25:** 1. Front cuffs or joint 2. Cleaner hose
3. Power tool 4. Vacuum cleaner

Installing or removing cleaner attachments

CAUTION: After installing an attachment, check if it is securely installed. If the attachment is installed imperfectly, it may come off and cause personal injury.

Attachments without lock function

Optional accessory

Insert an attachment into the suction inlet of the cleaner by pushing and hand screwing it in place.

Hand twist and pull the attachment apart from the suction inlet after use.

► **Fig.26**

Attachments with lock function

Optional accessory

NOTICE: When installing the attachment with lock function, be sure to align the release button with the hook on the attachment. If they are not aligned, the attachment will not be locked and may come off from the cleaner.

Insert an attachment into the suction inlet of the cleaner by pushing them together with a click.

To remove the attachment, pull it off while pushing the release button.

► **Fig.27:** 1. Suction inlet with lock function 2. Release button 3. Attachment with lock function

NOTE: An attachment with lock function can only be installed in the suction inlet with lock function.

► **Fig.28:** 1. Attachment with lock function 2. Suction inlet with lock function 3. Suction inlet without lock function

Adjusting lengths of slide-type extension wand

Optional accessory

A slide-type extension wand can be combined for shorter and longer lengths. It allows to clean hard-to-reach areas and comfortable positioning options.

Pull in and out the slide pipe to change wand lengths while pressing and holding the slide button.

Release the slide button to lock the slide pipe in your desired position.

► **Fig.29:** 1. Slide pipe 2. Slide button

MAINTENANCE

CAUTION: Always be sure that the appliance is switched off and the battery cartridges are removed before attempting to perform inspection or maintenance.

NOTICE: Never use gasoline, benzine, thinner, alcohol or the like. Discoloration, deformation or cracks may result.

To maintain product SAFETY and RELIABILITY, repairs, any other maintenance or adjustment should be performed by Makita Authorized or Factory Service Centers, always using Makita replacement parts.

Storage of accessories

Accessories and attachments not in use, such as nozzles and brushes, can be hooked and stored in the multi hook at the rear of the cleaner.

► **Fig.30:** 1. Multi hook 2. Accessories and attachments not in use

Pipes (with an optional stopper installed) can be placed into the pipe holder when not using the cleaner for a short time.

► **Fig.31:** 1. Stopper (optional accessory) 2. Pipe holder

A hose can be wrapped and stored around the housing or handle of the cleaner in large loops. Connect its both ends together to make loops and hook the loops onto the handle raised up. Alternatively, keep its root end installed in the hose inlet and hang the loops on the multi hook with the loose end tied up.

► **Fig.32**

► **Fig.33**

Cleaning of cloth filter

Clean out the cloth filter at regular intervals since clogged cloth filter may result in poor suction performance.

Wipe and shake dust off the cloth filter by hand on occasions.

► **Fig.34:** 1. Cloth filter

Cleaning of powder filter (HEPA) and prefilter

Optional accessory

Clean out the powder filter, prefilter and damper at regular intervals since clogged filters and damper may result in poor suction performance.

Routinely wipe and shake dust off filters and damper by hand.

Occasionally wash the powder filter in water, rinse and dry thoroughly in the shade before use. Never wash filters in a washing machine.

► Fig.35

NOTE: Do not rub or scratch the powder filter, the prefilter and the damper with hard objects such as a brush and a paddle.

NOTE: The filters wear out in course of time. It is recommended to have some spares for them.

OPTIONAL ACCESSORIES

⚠ CAUTION: These accessories or attachments are recommended for use with your Makita tool specified in this manual. The use of any other accessories or attachments might present a risk of injury to persons. Only use accessory or attachment for its stated purpose.

If you need any assistance for more details regarding these accessories, ask your local Makita Service Center.

- Hose
- Front cuffs (22, 24, 38)
- Straight pipe
- Extension wand
- Corner nozzle
- Round brush
- Powder filter, HEPA (for dry dust)
- Damper
- Prefilter
- Water filter
- Cloth filter
- Nozzle assembly
- Bent pipe
- Polyethylene bag
- Paper pack
- MAKPAC adapter
- Makita genuine battery and charger

NOTE: Some items in the list may be included in the tool package as standard accessories. They may differ from country to country.

OSTRZEŻENIE

- To urządzenie nie jest przeznaczone do użytkowania przez osoby, w tym dzieci, o ograniczonej sprawności ruchowej, sensorycznej lub umysłowej oraz osoby nieposiadające odpowiedniej wiedzy i doświadczenia.
- Należy zwracać uwagę, aby dzieci nie bawiły się odkurzaczem.
- Informacje na temat zalecanych akumulatorów zawiera rozdział „DANE TECHNICZNE”.
- Sposób montażu i demontażu opisano w punkcie „Wkładanie i wyjmowanie akumulatora”.
- Jeśli zajdzie konieczność utylizacji akumulatora, należy wyjąć go z narzędzia i przekazać w bezpieczne miejsce. Postępować zgodnie z przepisami lokalnymi dotyczącymi usuwania akumulatorów.
- Jeśli narzędzie nie będzie używane przez dłuższy czas, należy wyjąć z niego akumulator.
- Nie doprowadzać do zwarcia akumulatora.
- Szczegółowe informacje na temat środków ostrożności podczas konserwacji wykonywanej przez użytkownika zawiera rozdział „KONSERWACJA”.

DANE TECHNICZNE

Model:		VC001GL	VC003GL
Filtr standardowy		Filtr z tkaniny (do pyłu suchego i mokrego)	
Maks. przepływ powietrza (BL4040, wąż ø32 mm x 1,7 m)		2,7 m ³ /min	
Podciśnienie (BL4040, wąż ø32 mm x 1,7 m)		23 kPa	
Pojemność	Pył	8 l	15 l
	Woda	6 l	12 l
Wymiary (dług. x szer. x wys.)		366 mm x 334 mm x 425 mm	366 mm x 334 mm x 475 mm
Napięcie znamionowe		Prąd stały 36 V–40 V maks.	
Ciężar netto		8,1–11,2 kg	8,4–11,5 kg
Stopień ochrony		IPX4	

- W związku ze stale prowadzonym przez naszą firmę programem badawczo-rozwojowym niniejsze dane mogą ulec zmianom bez wcześniejszego powiadomienia.
- W innych krajach urządzenie może mieć odmienne parametry techniczne i może być wyposażone w inny akumulator.
- Waga nie uwzględnia akcesoriów (oprócz akumulatorów). Wagę najlżejszych i najcięższych kombinacji urządzeń z akumulatorami przedstawiono w tabeli.
- W przypadku mokrego pyłu wymagane jest stosowanie płynyka oraz filtra wody lub filtra z tkaniny.

Kompatybilne akumulatory i ładowarki

Akumulator	BL4020 / BL4025 / BL4040* / BL4050F* / BL4080F* *: Zalecany akumulator
Ładowarka	DC40RA / DC40RB / DC40RC

- Pewne z wymienionych powyżej akumulatorów i ładowarek mogą być niedostępne w regionie zamieszkania użytkownika.

OSTRZEŻENIE: Należy używać wyłącznie akumulatorów i ładowarek wymienionych powyżej. Używanie innych akumulatorów i ładowarek może stwarzać ryzyko wystąpienia obrażeń ciała lub pożaru.

Symbole

Poniżej pokazano symbole, jakie mogą być zastosowane na urządzeniu. Przed rozpoczęciem użytkowania należy zapoznać się z ich znaczeniem.



Przeczytać instrukcję obsługi.



Zachować szczególną ostrożność.



Ostrzeżenie! W odkurzaczu może się znajdować niebezpieczny pył.



Nigdy nie stawać na odkurzaczu.



Klasa pyłu L (lekkiego). Odkurzacze przeznaczone są do zbierania pyłu klasy L. Należy postępować zgodnie z przepisami lokalnymi odnoszącymi się do pyłów oraz do bezpieczeństwa i higieny pracy.



Dotyczy tylko państw UE
Z uwagi na obecność w sprzęcie niebezpiecznych składników, zużyty sprzęt elektryczny, elektroniczny, akumulatory oraz baterie mogą powodować negatywny wpływ na środowisko i zdrowie ludzi. Nie wyrzucaj urządzeń elektrycznych, elektronicznych lub akumulatorów wraz z odpadami z gospodarstwa domowego! Zgodnie z Europejską Dyrektywą w sprawie zużytego sprzętu elektrycznego i elektronicznego oraz dotyczącą akumulatorów i baterii oraz zużytych akumulatorów i baterii, a także dostosowaniem ich do prawa krajowego, zużyte urządzenia elektryczne, elektroniczne, baterie i akumulatory, należy składować osobno i przekazywać do punktu selektywnej zbiórki odpadów komunalnych, działającego zgodnie z przepisami dotyczącymi ochrony środowiska.
Informuje o tym symbol przekreślonego kołowego kontenera na odpady umieszczony na sprzęcie.

Przeznaczenie

Urządzenie przeznaczone jest do usuwania suchego i mokrego pyłu. Urządzenie jest przeznaczone do użytku komercyjnego, na przykład w hotelach, szkołach, szpitalach, fabrykach, sklepach, biurach oraz przez firmy świadczące usługi wynajmu.

Hałas

Typowy równoważny poziom dźwięku A określony w oparciu o normę EN60335-2-69:

Model VC001GL

Poziom ciśnienia akustycznego (L_{pA}): 70 dB(A) lub mniej
Niepewność (K): 2,5 dB(A)

Model VC003GL

Poziom ciśnienia akustycznego (L_{pA}): 70 dB(A) lub mniej
Niepewność (K): 2,5 dB(A)

Poziom hałasu podczas pracy może przekraczać 80 dB (A).

WSKAZÓWKA: Deklarowana wartość emisji hałasu została zmierzona zgodnie ze standardową metodą testową i można ją wykorzystać do porównywania narzędzi.

WSKAZÓWKA: Deklarowaną wartość emisji hałasu można także wykorzystać we wstępnej ocenie narażenia.

⚠️ OSTRZEŻENIE: Nosić ochronniki słuchu.

⚠️ OSTRZEŻENIE: Poziom hałasu wytwarzanego podczas rzeczywistego użytkowania elektronarzędzia może się różnić od wartości deklarowanej w zależności od sposobu użytkowania narzędzia, a w szczególności od rodzaju obrabianego elementu.

⚠️ OSTRZEŻENIE: W oparciu o szacowane narażenie w rzeczywistych warunkach użytkowania należy określić środki bezpieczeństwa w celu zapewnienia ochrony operatora (uwzględniając wszystkie elementy cyklu działania, tj. czas, kiedy narzędzie jest włączone i kiedy pracuje na biegu jałowym, a także czas, kiedy jest włączone).

Drgania

Całkowita wartość poziomu drgań (suma wektorów w 3 osiach) określona zgodnie z normą EN60335-2-69:

Model VC001GL

Emisja drgań ($a_{h,M}$): 2,5 m/s² lub mniej
Niepewność (K): 1,5 m/s²

Model VC003GL

Emisja drgań ($a_{h,M}$): 2,5 m/s² lub mniej
Niepewność (K): 1,5 m/s²

WSKAZÓWKA: Deklarowana wartość poziomu drgań została zmierzona zgodnie ze standardową metodą testową i można ją wykorzystać do porównywania narzędzi.

WSKAZÓWKA: Deklarowaną wartość poziomu drgań można także wykorzystać we wstępnej ocenie narażenia.

⚠️ OSTRZEŻENIE: Drgania wytwarzane podczas rzeczywistego użytkowania elektronarzędzia mogą się różnić od wartości deklarowanej w zależności od sposobu użytkowania narzędzia, a w szczególności od rodzaju obrabianego elementu.

⚠️ OSTRZEŻENIE: W oparciu o szacowane narażenie w rzeczywistych warunkach użytkowania należy określić środki bezpieczeństwa w celu zapewnienia ochrony operatora (uwzględniając wszystkie elementy cyklu działania, tj. czas, kiedy narzędzie jest włączone i kiedy pracuje na biegu jałowym, a także czas, kiedy jest włączone).

Deklaracja zgodności WE

Dotyczy tylko krajów europejskich

Deklaracja zgodności WE jest dołączona jako załącznik A do niniejszej instrukcji obsługi.

OSTRZEŻENIA DOTYCZĄCE BEZPIECZEŃSTWA

Ostrzeżenia dotyczące bezpieczeństwa dla odkurzacza akumulatorowego

⚠️ OSTRZEŻENIE: WAŻNE! UWAGNIE PRZECZYTAĆ wszystkie zasady bezpieczeństwa i zalecenia PRZED UŻYCIEM. Niezastosowanie się do wspomnianych ostrzeżeń i instrukcji może doprowadzić do porażenia prądem elektrycznym, pożaru i/ lub poważnych obrażeń ciała.

1. Odkurzacza mogą używać wyłącznie osoby odpowiednio przeszkolone.
2. Przed użyciem urządzenia operatorzy powinni otrzymać informacje, instrukcje i przeszkolenie w zakresie obsługi urządzenia oraz substancji, z którymi ma być ono używane, w tym na temat bezpiecznej metody usuwania i utylizacji zebranego materiału.

3. W przypadku gdy z odkurzacza wydostaje się piana/ciecz, należy niezwłocznie go wyłączyć.
4. Regularnie czyścić ogranicznik poziomu wody i sprawdzać pod kątem uszkożeń.
5. Przed użyciem zawsze należy się upewnić, czy filtry są prawidłowo założone. Odkurzacza nie wolno używać bez włożonych filtrów. Uszkodzony filtr należy niezwłocznie wymienić. Zalecane jest zaopatrzenie się w kilka zapasowych filtrów, ponieważ są to części zużywające się.
6. UNIKAĆ PRZYPADKOWEGO URUCHOMIENIA. Podczas montażu akumulatorów należy upewnić się, że wyłącznik znajduje się w położeniu wyłączonym.
7. Nie próbować wciągać odkurzaczem materiałów łatwopalnych, fajerwerków, zapalonych papierosów, gorącego popiołu, gorących wirów metalowych ani ostrych przedmiotów, takich jak żyłki, igły czy zbite szkło.
8. NIGDY NIE UŻYWAĆ ODKURZACZA W POBLIŻU ZBIORNIKÓW BENZYNY, GAZU, LAKIERU, KLEJU ANI INNYCH WYBUCHOWYCH SUBSTANCJI. Włączanie/ wyłączanie przełącznika zasilania powoduje iskrzenie. Iskrzenie powoduje także komutator silnika. Może to być przyczyną wybuchu.
9. Nigdy nie wciągać odkurzaczem materiałów toksycznych, rakotwórczych, łatwopalnych ani innych materiałów niebezpiecznych, takich jak azbest, arsen, bar, beryl, ołów, pestycydy lub inne materiały niebezpieczne dla zdrowia.
10. Zawsze ustawiać odkurzacza na płaskiej poziomej powierzchni, aby uniknąć jego przypadkowego upadku lub przesunięcia.
11. Nigdy nie używać odkurzacza na zewnątrz podczas deszczu.
12. W przypadku Finlandii ta maszyna nie jest przeznaczona do użycia na zewnątrz w niskich temperaturach.
13. Nie używać w pobliżu źródeł ciepła (pieców itp.).
14. Jeśli powietrze wylotowe jest wprowadzane z powrotem do pomieszczenia, konieczne jest zapewnienie odpowiedniej wymiany powietrza w tym pomieszczeniu. Należy zapoznać się z odpowiednimi przepisami obowiązującymi w danym kraju.
15. Nie blokować otworu zasysania, otworu dmuchawy ani otworów chłodzenia. Zapewniają one chłodzenie silnika. Otwory wentylacyjne powinny być zawsze odsłonięte; w przeciwnym razie dojdzie do przepalenia się silnika w wyniku braku wentylacji.
16. Zawsze stać na pewnym podłożu i trzymywać równowagę.
17. Nie zginać i nie szarpać węża ani nie stawać na nim.
18. W przypadku zauważenia małej skuteczności działania lub innych nietypowych objawów natychmiast wyłączyć odkurzacza.
19. WYJAĆ AKUMULATORY. Gdy odkurzacza nie jest używany, podczas konserwacji oraz wymiany akcesoriów.
20. Po każdym użyciu natychmiast wyczyścić i wykonać konserwację w celu utrzymania urządzenia w idealnym stanie technicznym.
21. STARANIE WYKONYWAĆ CZYNNOŚCI KONSERWACYJNE. Utrzymywać czystość odkurzacza, aby zapewnić lepsze i bezpieczniejsze działanie. Przestrzegać instrukcji wymiany akcesoriów. Utrzymywać rękojeści suche, czyste i niezabrudzone olejem ani smarem.
22. SPRAWDZIĆ USZKODZONE CZĘŚCI. Uszkodzoną osłonę lub inną część należy dokładnie sprawdzić przed dalszym użytkowaniem odkurzacza, aby mieć pewność, że będzie ona poprawnie działać i spełniać swoją funkcję. Należy sprawdzić narzędzie pod kątem nieprawidłowego ustawienia lub zablokowania elementów ruchomych, pęknięć części, zamocowania oraz innych usterek, które mogą mieć wpływ na jego działanie. Osłona lub inne uszkodzone części powinny zostać naprawione lub wymienione przez autoryzowany punkt serwisowy, o ile w instrukcji nie podano inaczej. Uszkodzone przełączniki powinny zostać wymienione w autoryzowanym punkcie serwisowym. Nie używać odkurzacza, jeśli nie działają funkcje przełącznika.
23. Podczas serwisu maszyna powinna być rozmontowywana, czyszczona i serwisowana w sposób uzasadniony ze względów praktycznych, bez stwarzania ryzyka dla personelu konserwacyjnego i innych osób.
24. Przynajmniej raz w roku producent lub poustruowana osoba powinna przeprowadzić kontrolę techniczną urządzenia, polegającą na przykład na sprawdzeniu filtrów pod kątem uszkożeń, szczelności urządzenia i prawidłowego działania mechanizmu kontrolnego.
25. Podczas wykonywania czynności serwisowych lub naprawczych wszystkie zanieczyszczone elementy, których nie można w sposób zadowalający wyczyścić, należy zutylizować; elementy te należy umieścić w nieprzepuszczalnych torbach zgodnie z obowiązującymi przepisami dotyczącymi utylizacji takich odpadów.
26. CZĘŚCI ZAMIENNE. Do wymiany należy używać tylko identycznych części zamiennych.
27. PRZECHOWYWANIE ODKURZACZA. Gdy odkurzacza nie jest używany, należy go przechowywać w pomieszczeniu.
28. Mokre filtry i części wewnętrzne zbiornika cieczy należy wysuszyć przed odłożeniem urządzenia do przechowywania.
29. Z odkurzaczem należy obchodzić się delikatnie. Niedbałe i agresywne użytkowanie może spowodować uszkodzenie nawet najbardziej wytrzymałego odkurzacza.
30. Nie czyścić powierzchni zewnętrznych ani wewnętrznych benzyną, rozpuszczalnikiem ani chemicznymi środkami czyszczącymi. Mogą powstać pęknięcia i odbarwienia.
31. Nie używać odkurzacza w pomieszczeniach zamkniętych, w których występują łatwopalne, wybuchowe lub toksyczne opary farb olejnych, rozpuszczalników, benzyny, niektórych substancji przeciwsmolowych itp. ani w miejscach, w których występuje łatwopalny pył.
32. Odkurzacza ani żadnego innego urządzenia nie wolno obsługiwać, będąc pod wpływem narkotyków lub alkoholu.

33. W ramach podstawowej ochrony nosić gogle lub okulary ochronne z osłonami bocznymi.
34. W miejscach silnie zapyłonych używać maski.
35. To urządzenie nie jest przeznaczone do użytkowania przez osoby, w tym dzieci, o ograniczonej sprawności ruchowej, sensorycznej lub umysłowej oraz osoby nieposiadające odpowiedniej wiedzy i doświadczenia.
36. Należy zwracać uwagę, aby dzieci nie bawiły się odkurzaczem.
37. Nie wolno obsługiwać odkurzacza ani akumulatorów mokrymi rękami.
38. Zachować szczególną ostrożność podczas sprzątania na schodach.
39. Nie używać odkurzacza jako stołka ani stołu warsztatowego. Urządzenie może się przewrócić i spowodować obrażenia.

Użytkowanie narzędzi akumulatorowych i dbałość o nie

1. Akumulator należy ładować wyłącznie przy użyciu określonej przez producenta ładowarki. Ładowarka przeznaczona do jednego typu akumulatora może stwarzać zagrożenie pożarem, gdy będzie używana do ładowania innego akumulatora.
2. Do zasilania elektronarzędzi używać tylko specjalnie do tego celu przeznaczonych akumulatorów. Używanie innych akumulatorów może stwarzać ryzyko wystąpienia obrażeń ciała lub pożaru.
3. Gdy akumulator nie jest używany, należy zabezpieczyć go przed kontaktem z metalowymi przedmiotami, typu spinacze, monety, klucze, gwoździe, wkręty lub innymi metalowymi drobiazgami, które mogą powodować zwarcie styków akumulatora. Zwarcie styków akumulatora grozi poparzeniami lub pożarem.
4. W niewłaściwych warunkach eksploatacji może dojść do wycieku elektrolitu z akumulatora. Nie należy go dotykać. W razie przypadkowego kontaktu należy przemyć skażoną skórę wodą. W przypadku dostania się elektrolitu do oczu należy dodatkowo skorzystać z porady lekarza. Elektrolit z akumulatora może powodować podrażnienia lub poparzenia.
5. Nie używać uszkodzonego lub przerobionego akumulatora ani narzędzia. Uszkodzone lub przerobione akumulatory mogą działać w nieprzewidywalny sposób i spowodować pożar, wybuch lub obrażenia ciała.
6. Nie wystawiać akumulatora ani narzędzia na działanie ognia ani nadmiernej temperatury. Narażenie na ogień lub temperaturę wyższą niż 130°C może spowodować wybuch.
7. Przestrzegać wszystkich instrukcji ładowania i nie ładować akumulatora ani narzędzia w temperaturze wykraczającej poza zakres określony w instrukcji. Nieprawidłowe ładowanie lub temperatury wykraczająca poza określony zakres mogą spowodować uszkodzenie akumulatora oraz wzrost zagrożenia pożarem.

ZACHOWAĆ NINIEJSZE INSTRUKCJE.

⚠️ OSTRZEŻENIE: NIE WOLNO pozwolić, aby wygoda lub rutyna (nabyta w wyniku wielokrotnego używania urządzenia) zastąpiły ścisłe przestrzeganie zasad bezpieczeństwa obsługi. **NIEWŁAŚCIWE UŻYTKOWANIE** narzędzia lub niestosowanie się do zasad bezpieczeństwa podanych w niniejszej instrukcji obsługi może prowadzić do poważnych obrażeń ciała.

Ważne zasady bezpieczeństwa dotyczące akumulatora

1. Przed użyciem akumulatora zapoznać się ze wszystkimi instrukcjami i znakami ostrzegawczymi na (1) ładowarce, (2) akumulatorze i (3) produkcie, w którym będzie używany akumulator.
2. Nie rozmontowywać ani modyfikować akumulatora. Może to spowodować pożar, przegrzanie lub wybuch.
3. Jeśli czas działania uległ znacznemu skróceniu, należy natychmiast przerwać pracę. Może bowiem dojść do przegrzania, ewentualnych poparzeń, a nawet eksplozji.
4. W przypadku przedostania się elektrolitu do oczu, przemyć je czystą wodą i niezwłocznie uzyskać pomoc lekarską. Może on bowiem spowodować utratę wzroku.
5. Nie doprowadzać do zwarcia akumulatora:
 - (1) Nie dotykać styków materiałami przewodzącymi prąd.
 - (2) Unikać przechowywania akumulatora w pojemniku z metalowymi przedmiotami, takimi jak gwoździe, monety itp.
 - (3) Chronić akumulator przed deszczem lub wodą. Zwarcie prowadzi do przepływu prądu elektrycznego o dużym natężeniu i przegrzania akumulatora, co w konsekwencji może grozić poparzeniami a nawet awarią urządzenia.
6. Narzędzia i akumulatora nie wolno przechowywać ani używać w miejscach, w których temperatura osiąga bądź przekracza 50°C (122°F).
7. Akumulatorów nie wolno spalać, również tych poważnie uszkodzonych lub całkowicie zużytych. Akumulator może eksplodować w ogniu.
8. Nie należy przecinać ani zginać akumulatora, wbić w niego gwoździ, rzucać nim, upuszczać, ani uderzać akumulatorem o twarde objekty. Takie działanie może spowodować pożar, przegrzanie lub wybuch.
9. Nie wolno używać uszkodzonego akumulatora.
10. Stanowiące wyposażenie akumulatory litowo-jonowe podlegają przepisom dotyczącym produktów niebezpiecznych. Na potrzeby transportu komercyjnego, np. świadczanego przez firmy trzecie czy spedycyjne, należy przestrzegać specjalnych wymagań w zakresie pakowania i oznaczania etykietami. Przygotowanie produktu do wysyłki wymaga skonsultowania się ze specjalistą ds. materiałów niebezpiecznych. Należy także przestrzegać przepisów krajowych, które mogą być bardziej szczegółowe. Zakleić taśmą lub zaślepić otwarte styki akumulatora oraz zabezpieczyć go, aby nie mógł się przesuwać w opakowaniu.

11. Jeśli zajdzie konieczność utylizacji akumulatora, należy wyjąć go z narzędzia i przekazać w bezpieczne miejsce. Postępować zgodnie z przepisami lokalnymi dotyczącymi utylizacji akumulatorów.
12. Używać akumulatorów tylko z produktami określonymi przez firmę Makita. Zastosowanie akumulatorów w niezgodnych produktach może spowodować pożar, przegrzanie, wybuch lub wyciek elektrolitu.
13. Jeśli narzędzie nie będzie używane przez dłuższy czas, należy wyjąć z niego akumulator.
14. Przed użyciem akumulatora i po jego użyciu akumulator może pozostawać nagrzany, co może spowodować poparzenia lub poparzenia w niskiej temperaturze. Z gorącym akumulatorem należy obchodzić się ostrożnie.
15. Nie należy dotykać styku narzędzia bezpośrednio po jego użyciu, ponieważ może on być na tyle gorący, że spowoduje oparzenia.
16. Nie należy dopuszczać, aby wióry, kurz lub brud gromadziły się na stykach, w otworach i rowkach akumulatora. Może to doprowadzić do przegrzania, pożaru, wybuchu lub uszkodzenia narzędzia lub akumulatora, co może spowodować oparzenia lub obrażenia ciała.
17. Jeśli narzędzie nie jest przeznaczone do użytku w pobliżu linii wysokiego napięcia, nie należy korzystać z akumulatora w ich sąsiedztwie. Może to spowodować nieprawidłowości w działaniu lub uszkodzenie narzędzia lub akumulatora.
18. Przechowywać akumulator w miejscu niedostępnym dla dzieci.

ZACHOWAĆ NINIEJSZE INSTRUKCJE.

▲PRZESTROGA: Używać wyłącznie oryginalnych akumulatorów firmy Makita. Używanie nieoryginalnych akumulatorów firm innych niż Makita lub akumulatorów, które zostały zmodyfikowane, może spowodować wybuch akumulatora i pożar, obrażenia ciała oraz zniszczenie mienia. Stanowi to również naruszenie warunków gwarancji firmy Makita dotyczących narzędzia i ładowarki.

Wskazówki dotyczące zachowania maksymalnej trwałości akumulatora

1. Akumulator należy naładować zanim zostanie do końca rozładowany. Po zauważeniu spadku mocy narzędzia należy przerwać pracę i naładować akumulator.
2. Nie wolno ładować powtórnie w pełni naładowanego akumulatora. Przeładowanie akumulatora skraca jego trwałość.
3. Akumulator należy ładować w temperaturze pokojowej w przedziale 10–40°C (50–104°F). W przypadku gorącego akumulatora przed przystąpieniem do ładowania należy poczekać, aż ostygnie.
4. Jeśli akumulator nie jest używany, należy go wyjąć z narzędzia lub ładowarki.
5. Akumulatory niklovo-wodorkowe należy naładować po okresie długiego nieużytkowania (dłuższego niż sześć miesięcy).

OPIS CZĘŚCI

- Rys.1: 1. Zespół górny 2. Pływak 3. Kosz pływaka 4. Filtr z tkaniny 5. Zbiornik

OPIS DZIAŁANIA

▲PRZESTROGA: Przed przystąpieniem do regulacji lub przeglądu urządzenia upewnić się, że jest ono wyłączone, a akumulatory zostały wyjęte.

Wkładanie i wyjmowanie akumulatora

▲PRZESTROGA: Przed włożeniem lub wyjęciem akumulatorów należy zawsze wyłączyć urządzenie.

▲PRZESTROGA: Podczas wkładania lub wyjmowania akumulatorów należy mocno trzymać odkurzacz i akumulatory. W przeciwnym razie mogą się one wyslizgnąć z rąk, powodując uszkodzenie odkurzacza i akumulatorów oraz obrażenia ciała.

▲PRZESTROGA: Zachować ostrożność, aby podczas otwierania lub zamykania pokrywy akumulatora nie przytrzasnąć palców. Niezastosowanie się do tej zasady może spowodować obrażenia ciała.

Odkurzacz ma dwa gniazda akumulatora. Dzięki dwóm identycznym akumulatorom zamontowanym równolegle można wydłużyć czas pracy w jednym lub kilku cyklach użycia, bez konieczności przerywania pracy na ładowanie akumulatorów. Odkurzacz działa również z jednym akumulatorem, więc można wybrać, czy będzie używany z dwoma akumulatorami czy z jednym, odpowiednio do potrzeb.

- Rys.2: 1. Gniazdo akumulatora po lewej stronie 2. Gniazdo akumulatora po prawej stronie

Z dwoma akumulatorami

Ciągła praca z dwoma akumulatorami zapewni dłuższy czas pracy i bardziej efektywne czyszczenie. Kiedy pierwszy akumulator rozładowuje się, odkurzacz automatycznie przełącza źródło zasilania, dzięki czemu kontynuuje pracę z użyciem drugiego akumulatora.

WSKAZÓWKA: Gniazdo akumulatora po lewej stronie (patrz od przodu odkurzacza) ma pierwszeństwo przed gniazdem akumulatora po prawej stronie. Gniazdo akumulatora po prawej stronie zostanie zidentyfikowane jako źródło zasilania tylko wtedy, gdy w gnieździe akumulatora po lewej stronie nie ma akumulatora lub jeśli akumulator w gnieździe po lewej stronie będzie prawie rozładowany.

WSKAZÓWKA: Akumulator znajdujący się w gnieździe po lewej stronie można wyjąć i naładować po przełączeniu źródła zasilania odkurzacza z gniazda akumulatora po lewej stronie na gniazdo zasilania po prawej, bez konieczności przerywania pracy. Aby po włożeniu ponownie naładowanego akumulatora z powrotem przypisać pierwszeństwo do gniazda akumulatora po lewej stronie, należy zrestartować odkurzacz.

Z jednym akumulatorem

Źródłem zasilania może być tylko jeden akumulator, zamontowany w gnieździe akumulatora po prawej lub lewej stronie. Odkurzacz automatycznie określi, które gniazdo akumulatora jest dostępne, odpowiednio do warunków pracy.

Wkładanie i wyjmowanie

Aby włożyć akumulatory, należy najpierw zwoić blokadę i otworzyć pokrywę akumulatora. Następnie należy wsunąć akumulatory.

► **Rys.3:** 1. Błokada 2. Pokrywa akumulatora

Wy różnaczyć występy na akumulatorach z rowkami w obudowie akumulatora i wsunąć je na swoje miejsce. Akumulatory należy wsunąć do oporu, aż zatrząsną się na miejscu, co jest sygnalizowane delikatnym kliknięciem. Należy wówczas zablokować pokrywę akumulatora.

► **Rys.4:** 1. Akumulator 2. Przycisk

Aby wyciągnąć akumulatory, należy wysunąć je z obudowy, naciskając i przytrzymując przyciski znajdujące się w ich przedniej części.

⚠ PRZESTROGA: Akumulator należy zawsze wkładać do końca. W przeciwnym razie może on przypadkowo wypaść z urządzenia, powodując obrażenia u operatora lub osób postronnych.

⚠ PRZESTROGA: Nie wkładać akumulatora na siłę. Jeśli akumulator nie daje się swobodnie wsunąć, oznacza to, że został włożony nieprawidłowo.

WSKAZÓWKA: Kiedy odkurzacz przelącza źródło zasilania z pierwszego akumulatora na drugi, może wymagać tymczasowego wstrzymania pracy, co spowoduje zmniejszenie siły ssania. Należy pamiętać, że nie jest to usterką i odkurzacz wznowi działanie niezwłocznie po wstrzymaniu.

Wskazanie stanu naładowania akumulatora

Nacisnąć przycisk kontrolny na akumulatorze w celu wyświetlenia stanu naładowania akumulatora. Lampki wskaźnika zaświecą się przez kilka sekund.

► **Rys.5:** 1. Lampki wskaźnika 2. Przycisk kontrolny

Lampki wskaźnika			Pozostała energia akumulatora
Świeci się	Wyłączony	Miga	
■ ■ ■ ■			75–100%
■ ■ ■	□		50–75%
■ ■	□ □		25–50%
■	□ □ □		0–25%
▬	□ □ □		Naładować akumulator.
■ ■ □ □	↑ ↓	□ □ ■ ■	Akumulator może nie działać poprawnie.

WSKAZÓWKA: Zależnie od warunków użytkowania i temperatury otoczenia, wskazywany poziom może nieznacznie się różnić od rzeczywistego stanu naładowania akumulatora.

WSKAZÓWKA: Pierwsza (skrajnie po lewej stronie) lampka wskaźnika miga, gdy układ zabezpieczenia akumulatora jest aktywny.

Wskaźniki akumulatorów na panelu sterowania

Pozostały stan naładowania akumulatora można odczytać w dowolnym czasie na panelu sterowania. Należy nacisnąć przycisk kontrolny; wówczas wskaźniki odpowiednio po lewej i prawej stronie wskażą poziomy naładowania akumulatorów.

► **Rys.6:** 1. Wskaźniki akumulatorów 2. Przycisk kontrolny

► **Rys.7**

Stan wskaźnika akumulatora			Stan naładowania akumulatora
Włączony	Wyłączony	Miga	
			50% do 100%
			20% do 50%
			0% do 20%
			Naładować akumulator.
			Akumulator nie został włożony

WSKAZÓWKA: Wskaźniki akumulatorów będą również aktywowane, kiedy odkurzacz rozpoczyna działanie lub przelącza źródło zasilania.

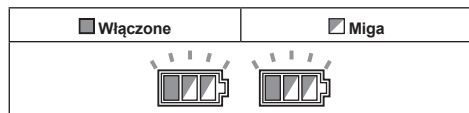
Układ zabezpieczający urządzenia/akumulatora

Urządzenie jest wyposażone w układ zabezpieczający urządzenie/akumulatora. Układ automatycznie odcina zasilanie silnika w celu wydłużenia trwałości urządzenia i akumulatora. Urządzenie zostanie automatycznie zatrzymane podczas pracy w następujących sytuacjach związanych z urządzeniem lub akumulatorem:

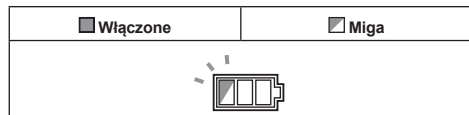
Zabezpieczenie przed przeciążeniem

W przypadku użytkowania urządzenia/akumulatora w sposób powodujący nadmiernie wysoki pobór prądu urządzenie zostanie automatycznie zatrzymane. W takiej sytuacji należy wyłączyć urządzenie i zaprzestać wykonywania czynności powodującej jego przeciążenie. Następnie należy włączyć urządzenie w celu ponownego uruchomienia.

Zabezpieczenie przed przegrzaniem



W przypadku przegrzania urządzenie zostanie automatycznie zatrzymane, a wskaźniki obu akumulatorów zaczną migać. W takiej sytuacji przed ponownym włączeniem należy poczekać, aż urządzenie ostygnie.



Jeśli akumulator ulegnie przegrzaniu, urządzenie zatrzyma się automatycznie i wskaźnik przegrzanego akumulatora zacznie migać. W takiej sytuacji przed ponownym włączeniem urządzenia należy poczekać, aż akumulator ostygnie.

Zabezpieczenie przed nadmiernym rozładowaniem

Gdy stan naładowania akumulatora spadnie, urządzenie zostanie automatycznie zatrzymane. Jeśli urządzenie nie działa pomimo przełączenia, należy wyjąć akumulatory z urządzenia i je naładować.

Inne zabezpieczenia

Układ zabezpieczający jest przeznaczony do ochrony przed innymi przyczynami, które mogą doprowadzić do uszkodzenia urządzenia i umożliwiania jego automatyczne zatrzymanie. Należy wykonać poniższe kroki, aby usunąć przyczyny tymczasowego wstrzymania lub zatrzymania pracy urządzenia.

1. Wyłączyć urządzenie, a następnie włączyć je ponownie w celu zrestartowania.
2. Naładować akumulatory lub zastąpić je (lub jeden z nich) naładowanymi akumulatorami.
3. Pozostawić urządzenie i akumulator (akumulatory) do ostygnięcia.

Jeśli przywrócenie działania układu zabezpieczającego nie przynosi pozytywnych efektów, należy skontaktować się z centrum serwisowym Makita.

Działanie przełącznika

Włączanie odkurzacza

1. Ustawić przełącznik gotowości w położeniu „I” (włączenie), aby odkurzacz znajdował się w trybie gotowości.
2. Nacisnąć przycisk zasilania.
Aby przełączyć odkurzacz z powrotem w tryb gotowości, należy ponownie nacisnąć przycisk zasilania.

Wyłączanie odkurzacza

Należy wykonać jeden z poniższych kroków.

- Nacisnąć przycisk zasilania, aby ponownie ustawić odkurzacz w trybie gotowości, a następnie ustawić przełącznik gotowości w położeniu „O” (wyłączenie).
- Przetawić przełącznik gotowości w położenie „O” (wyłączenie).

Regulacja siły ssania

Siłę ssania można regulować stosownie do potrzeb.

- Przekręcić pokrętko regulacji siły ssania w lewo, aby zredukować siłę ssania.
- Przekręcić pokrętko regulacji siły ssania w prawo, aby zwiększyć siłę ssania.

► **Rys.8:** 1. Przełącznik gotowości 2. Przycisk zasilania 3. Pokrętko regulacji siły ssania

Automatyczne wyłączenie ssania podczas pracy odkurzacza na mokro

⚠ OSTRZEŻENIE: Nie używać przez dłuższy czas z działającym pływakiem. Używanie odkurzacza z działającym pływakiem przez dłuższy czas może spowodować przegrzanie, a w rezultacie odkształcenie obudowy odkurzacza.

⚠ OSTRZEŻENIE: Odkurzaczem nie wolno zbierać piany ani płynów zawierających mydło. Może to doprowadzić do wydostawania się piany przez wylot powietrza przed zadziałaniem pływaka. Kontynuowanie użycia w takich warunkach może doprowadzić do porażenia prądem elektrycznym i uszkodzenia odkurzacza.

Funkcja automatycznego wyłączenia ssania działa tylko wtedy, gdy odkurzacz jest używany z pływakiem i koszem pływaka.

Odkurzacz został wyposażony w mechanizm pływakowy zapobiegający przedostaniu się wody do silnika w przypadku zbierania dużych ilości wody. Gdy zbiornik zapelni się, a odkurzacz przestanie zbierać wodę, należy wyłączyć go i opróżnić zbiornik.

Blokowanie i odblokowywanie kółek

Tylne kółka można zablokować za pomocą ograniczników, dzięki czemu odkurzacz nie będzie się poruszał. Aby zablokować kółko, należy ręcznie przesunąć dźwignię ogranicznika w dół; aby zwolnić blokadę, należy podnieść dźwignię.

► **Rys.9:** 1. Kółko 2. Dźwignia ogranicznika 3. Pozycja ODBLOKOWANIA 4. Pozycja ZABLOKOWANIA

WSKAZÓWKA: Podczas przesuwania odkurzacza kółko powinno być odblokowane. Przesuwanie odkurzacza z zablokowanym kółkiem może doprowadzić do jego uszkodzenia.

Uchwyt do przenoszenia

⚠ PRZESTROGA: Podnosić i przenosić urządzenie z zachowaniem ostrożności. Niezastosowanie się do tego zalecenia może spowodować obrażenia ciała lub uszkodzenie urządzenia.

Odkurzacz należy przenosić, trzymając go za uchwyt w zespole górnym. Jeśli uchwyt nie jest używany, można go schować w zespole górnym.

► **Rys.10**

MONTAŻ

⚠ PRZESTROGA: Przed przystąpieniem do wszelkich prac konserwacyjnych przy urządzeniu należy upewnić się, że jest ono wyłączone oraz że akumulatory zostały wyjęte.

⚠ PRZESTROGA: Zawsze podczas montażu lub konserwacji należy nosić maskę przeciwpyłową.

Zakładanie filtra pyłu (HEPA) oraz filtra wstępnego (do pyłu suchego)

Akcesoria opcjonalne

⚠ PRZESTROGA: Nigdy nie należy zbierać wody ani innych cieczy bądź mokrego pyłu podczas korzystania z filtra pyłu. Może to spowodować uszkodzenie filtra pyłu.

Aby użyć filtra pyłu:

1. Poluzować śruby zabezpieczające kosz pływaka, a następnie wyjąć śruby, kosz pływaka i pływak z zespołu górnego.
▶ **Rys.11:** 1. Śruba 2. Kosz pływaka 3. Pływak 4. Zespół górny
2. Wyjąć filtr z tkaniny ze zbiornika.
▶ **Rys.12:** 1. Filtr z tkaniny 2. Zbiornik
3. Umieścić filtr wstępny w zbiorniku, wyrównując oznaczenia położenia montażu na filtrze wstępnym i zbiorniku.
4. Umieścić przepustnicę w filtrze wstępnym, a następnie umieścić filtr pyłu nad przepustnicą, wyrównując oznaczenia położenia montażu na filtrze pyłu i filtrze wstępnym.
5. Zamocować zespół górny nad zbiornikiem i zabezpieczyć zatrzaskami blokady.
▶ **Rys.13:** 1. Zespół górny 2. Filtr pyłu (HEPA) 3. Przepustnica 4. Filtr wstępny 5. Zbiornik 6. Oznaczenie pozycji montażowej

UWAGA: Przed użyciem filtra pyłu należy się zawsze upewnić, że jest założony filtr wstępny i przepustnica. Nie należy zakładać samego filtra pyłu.

Zakładanie filtra wody

Akcesoria opcjonalne

UWAGA: Nigdy nie należy zbierać wody ani mokrego pyłu bez pływaka i filtra z tkaniny lub filtra wody.

UWAGA: W przypadku zbierania mokrego pyłu należy upewnić się, że w odkurzaczu zamontowano kosz pływaka oraz pływak.

UWAGA: Podczas zakładania filtra wody do zbiornika należy go dobrze osadzić w otworze zbiornika, aby zaczep filtra wody był ściśle dopasowany do otworu, a pomiędzy filtrem a zbiornikiem nie było szczeliny.

Do zbierania tylko wody lub mokrego pyłu lepiej sprawdzi się filtr wody niż filtr z tkaniny.

Podczas zakładania filtra wody należy wyrównać jego oznaczenie pozycji montażowej z oznaczeniem na zbiorniku.

▶ **Rys.14:** 1. Filtr wody 2. Zbiornik 3. Oznaczenie pozycji montażowej

WSKAZÓWKA: W przypadku częstego zbierania większych ilości wody zalecane jest używanie filtra wody. W przeciwnym razie w przypadku korzystania z filtra z tkaniny siła ssania może być obniżona.

Zakładanie worka papierowego

Akcesoria opcjonalne

⚠ OSTRZEŻENIE: Przed użyciem worka papierowego należy upewnić się, że założony jest filtr z tkaniny lub filtr wstępny. Niezastosowanie filtra z tkaniny / filtra wstępnego może spowodować hałas odbiegający od normy oraz przegrzanie odkurzacza prowadzące do pożaru.

UWAGA: Nigdy nie należy zbierać wody ani innych cieczy bądź mokrego pyłu podczas korzystania z worka papierowego. Może to spowodować uszkodzenie worka papierowego.

UWAGA: W przypadku użycia filtra z tkaniny należy upewnić się, że do zespołu górnego przy mocowany jest pływak i kosz pływaka.

UWAGA: W przypadku użycia filtra wstępnego należy upewnić się, że zamontowano filtr pyłu i przepustnicę.

1. Rozłożyć worek papierowy.
2. Dopasować otwór worka papierowego do wlotu pyłu w zbiorniku.
3. Włożyć worek papierowy do zbiornika, tak aby otwarcie kartonu zaczęło się o uchwyt worka papierowego.
▶ **Rys.15:** 1. Worek papierowy 2. Otwarcie kartonu 3. Uchwyt worka papierowego 4. Wlot pyłu

Zakładanie worka polietylenowego

Po założeniu w zbiorniku worka polietylenowego można łatwo opróżnić zbiornik bez ubrudzenia rąk.

Należy umieścić worek polietylenowy nad zbiornikiem i wsunąć jedną stronę górnej krawędzi worka po stronie otwarcia pomiędzy płytkę uchwyty i przednią ścianę zbiornika.

▶ **Rys.16:** 1. Płytkę uchwyty 2. Przednia ściana zbiornika 3. Worek polietylenowy

Rozłożyć pozostałe krawędzie worka na zewnątrz górnych występów zbiornika. Umieścić filtr z tkaniny lub filtr wstępny nad workiem polietylenowym, aby dokładnie zamocować otwarcie worka.

▶ **Rys.17:** 1. Filtr z tkaniny / filtr wstępny

WSKAZÓWKA: Można używać zwykłych worków polietylenowych dostępnych w sklepach. Zalecany jest worek o grubości co najmniej 0,04 mm.

WSKAZÓWKA: Zbyt duża ilość pyłu może łatwo rozerwać worek, należy więc uważać, aby go nie przepelnić.

Opróżnianie zbiornika z workiem polietylenowym

⚠ OSTRZEŻENIE: Przed opróżnieniem zbiornika należy zawsze upewnić się, że odkurzacz jest wyłączony oraz że zostały wyjęte akumulatory. Nieprzestrzeganie tej zasady może spowodować porażenie prądem elektrycznym i poważne obrażenia.

UWAGA: Uważać, aby nie uderzyć ze zbyt dużą siłą kosza pływaka i zbiornika. W przeciwnym razie może dojść do odkształcenia lub uszkodzenia części.

UWAGA: Zbiornik należy opróżniać co najmniej raz dziennie; zależy to jednak od ilości pyłu zebranego w zbiorniku. W przeciwnym razie siła ssania spadnie i może dojść do uszkodzenia silnika.

UWAGA: Podczas opróżniania zbiornika nie należy chwycić za zatrzaski lub zaczepy. Chwytywanie za zatrzaski lub zaczepy może doprowadzić do ich złamania.

Zwolnić zatrzaski blokady i wyjąć zespół górny ze zbiornika. Wytznąć kurz z filtra z tkaniny lub filtra wstępnego przed wyjęciem filtra ze zbiornika.

Następnie wyjąć worek polietylenowy ze zbiornika, zasłaniając ręką otwarcie worka.

► **Rys.18:** 1. Worek polietylenowy 2. Zbiornik

WSKAZÓWKA: Ostrożnie wyjąć worek polietylenowy ze zbiornika, aby uniknąć jego porysowania lub przedarcia przez krawędzie wewnątrz zbiornika.

WSKAZÓWKA: Wyjąć worek polietylenowy, zanim całkowicie się zapelni. Zbyt duża ilość pyłu w zbiorniku może spowodować rozerwanie worka.

Montowanie zaczepu wielofunkcyjnego

Należy użyć zaczepu wielofunkcyjnego do zamocowania węża, akcesoriów i przystawek, które nie są używane — zaczep pozwala na ich szybkie wyjęcie, odpowiednio do potrzeb.

► **Rys.19**

Umieścić zaczep wielofunkcyjny nad podstawą mocującą z tyłu odkurzacza, ustawiając szyny na zaczepie wielofunkcyjnym wzdłuż rowków w podstawie mocującej.

► **Rys.20:** 1. Zaczep wielofunkcyjny 2. Podstawa mocująca

Instalowanie adaptera MAKPAC

Akcesoria opcjonalne

Możliwe do podłączania i mocowania kaskadowo kasety do przechowywania MAKPAC można zamocować u góry odkurzacza za pomocą opcjonalnego adaptera. Kasety są dostępne w wielu rozmiarach i wzorach, dopasowanych do preferencji użytkownika.

Umieścić zaczep podstawy mocującej nad uchwytem odkurzacza, tak aby jego powierzchnia mocująca była skierowana w górę, kiedy uchwyt jest składany do położenia zamkniętego.

► **Rys.21:** 1. Zaczep podstawy mocującej 2. Powierzchnia mocująca 3. Uchwyt

Zamontować adapter MAKPAC do zaczepu podstawy mocującej i połączyć je za pomocą czterech dostarczonych śrub.

► **Rys.22:** 1. Adapter MAKPAC 2. Zaczep podstawy mocującej 3. Śruba

Podnieść pręt i dokręcić pokrętkę, aby przygotować instalację kaset MAKPAC w odkurzaczu.

► **Rys.23:** 1. Pręt 2. Pokrętko

WSKAZÓWKA: Szczegóły dotyczące instalowania kaset MAKPAC zawierają instrukcje dostarczone z adapterem MAKPAC i kasetami.

Podłączanie węża

UWAGA: Nigdy nie należy zginać węża na siłę ani go ścisnąć. Nigdy nie należy ciągnąć odkurzacza za wąż. Zginanie, ściskanie i ciągnięcie węża może spowodować jego rozerwanie lub odkształcenie.

UWAGA: Do zbierania większych odpadów, takich jak wióry ze strugarki, kawałki betonu itp., należy użyć węża o średnicy wewnętrznej 38 mm (wyposażenie dodatkowe). Użycie węża o średnicy wewnętrznej 28 mm (wyposażenie dodatkowe) może doprowadzić do zatkania i uszkodzenia węża.

Podłączenie do odkurzacza

Włożyć końcówkę węża do wlotu pyłu (wlotu węża) odkurzacza, a następnie obrócić w prawo, aż do zablokowania.

► **Rys.24:** 1. Wąż 2. Wlot pyłu (wlot węża)

Połączenia z narzędziami roboczymi (W zależności od kraju)

Po podłączeniu odkurzacza do dowolnego dostępnego narzędzia roboczego kompatybilnego z odkurzaczem działa on jako przystawka do odsysania pyłu dla elektronarzędzi.

Należy wybrać jedną z przednich złączek lub jeden z łączników (wyposażenie opcjonalne), najlepiej dopasowaną do modelu narzędzia. Umieścić złączki lub łącznik, odpowiednio do potrzeb, pomiędzy przednim końcem węża odkurzacza i portem do odsysania pyłu w narzędziu.

► **Rys.25:** 1. Przednie złączki lub łącznik 2. Wąż odkurzacza 3. Elektronarzędzie 4. Odkurzacz

Zakładanie lub zdejmowanie przystawek odkurzacza

⚠ PRZESTROGA: Po założeniu przystawki sprawdzić, czy została dobrze zamocowana. Jeśli przystawka jest zamocowana nieprawidłowo, może się odcepić i spowodować obrażenia ciała.

W przypadku użycia przystawki bez funkcji blokady

Akcesoria opcjonalne

Umieścić przystawkę w otworze zasysania odkurzacza, wciskając ją i przykręcając na miejscu.

Po zakończeniu użycia ręcznie przekręcić i wyciągnąć przystawkę z otworu zasysania.

► **Rys.26**

Przystawki z funkcją blokady

Akcesoria opcjonalne

UWAGA: Podczas zakładania przystawki z funkcją blokady należy dopasować przycisk zwalniający z zaczepem przystawki. Jeśli nie zostaną dopasowane, przystawka nie zostanie zablokowana i może wypaść z odkurzacza.

Wcisnąć przystawkę do otworu zasysania w odkurzaczu, aż do kliknięcia.

Aby wyjąć przystawkę, należy ją wyciągnąć, jednocześnie naciskając przycisk blokady.

- **Rys.27:** 1. Otwór zasysania z funkcją blokady
2. Przycisk zwalniający 3. Przystawka z funkcją blokady

WSKAZÓWKA: Przystawka z funkcją blokady może być zamocowana tylko w przypadku użycia otworu zasysania z funkcją blokady.

- **Rys.28:** 1. Przystawka z funkcją blokady 2. Otwór zasysania z funkcją blokady 3. Otwór zasysania bez funkcji blokady

Regulacja długości wysuwanej rury przedłużającej

Akcesoria opcjonalne

Wysuwana rura przedłużająca pozwala na uzyskanie mniejszych i większych długości. Umożliwia czyszczenie trudno dostępnych miejsc i zapewnia komfortowe opcje ustawień.

Można wsuwać i wysuwać rurę wysuwaną, aby zmienić długość rury, jednocześnie naciskając i przytrzymując przycisk wysuwania.

Zwolnić przycisk wysuwania, aby zablokować rurę wysuwaną w wybranym położeniu.

- **Rys.29:** 1. Rura wysuwana 2. Przycisk wysuwania

KONSERWACJA

⚠ PRZESTROGA: Przed przystąpieniem do przeglądu urządzenia lub jego konserwacji upewnić się, że jest ono wyłączone, a akumulatory wyjęte.

UWAGA: Nie stosować benzyny, rozpuszczalników, alkoholu itp. środków. Mogą one powodować odbarwienia, odkształcenia lub pęknięcia.

W celu zachowania odpowiedniego poziomu BEZPIECZEŃSTWA i NIEZAWODNOŚCI produktu wszelkie naprawy i różnego rodzaju prace konserwacyjne lub regulacje powinny być przeprowadzane przez autoryzowany lub fabryczny punkt serwisowy narzędzi Makita, zawsze z użyciem oryginalnych części zamienionych Makita.

Przechowywanie akcesoriów

Akcesoria i przystawki, które nie są używane, takie jak dysze i szczotki, można zamocować i przechowywać z użyciem zaczepu wielofunkcyjnego, znajdującego się z tyłu odkurzacza.

- **Rys.30:** 1. Zaczep wielofunkcyjny 2. Akcesoria i przystawki, które nie są używane

W przypadku krótszych przerw w pracy odkurzacza rury (z zainstalowanym opcjonalnym ogranicznikiem) można umieścić w uchwycie.

- **Rys.31:** 1. Ogranicznik (wyposażenie opcjonalne)
2. Uchwyt rury

Waż można zwinąć w duże pętle i przechowywać na obudowie lub uchwycie odkurzacza. Połączyć oba końce węża, aby utworzyć pętlę i zaczepić je na podniesionym uchwycie. Alternatywnie, przytrzymać za tylny koniec zamocowany w otworze węża i zaczepić pętlę na zaczepie wielofunkcyjnym, przewijając luźny koniec.

- **Rys.32**

- **Rys.33**

Czyszczenie filtra z tkaniny

Systematycznie czyścić filtr z tkaniny, ponieważ zatłakany filtr z tkaniny może być przyczyną słabej wydajności ssania.

Co jakiś czas ręcznie wytrzeć i wytrząsnąć kurz z filtra z tkaniny.

- **Rys.34:** 1. Filtr z tkaniny

Czyszczenie filtra pyłu (HEPA) i filtra wstępnego

Akcesoria opcjonalne

Systematycznie czyścić filtr pyłu, filtr wstępny i przepustnicę, ponieważ zatłakane filtry i przepustnica mogą być przyczyną słabej wydajności ssania.

Systematycznie ręcznie wycierać i wytrząsać kurz z filtrów i przepustnicy.

Co pewien czas należy umyć filtr pyłu w wodzie, wypłukać i dokładnie wysuszyć przed ponownym użyciem. Nigdy nie należy prać filtrów w pralce.

- **Rys.35**

WSKAZÓWKA: Filtra pyłu, filtra wstępnego ani przepustnicy nie należy skrobać żadnymi twardymi przedmiotami, np. szczotką czy łopatką.

WSKAZÓWKA: Filtry z biegiem czasu zużywają się. Zalecane jest posiadanie kilku zapasowych.

AKCESORIA OPCJONALNE

⚠ PRZESTROGA: Zaleca się stosowanie wymienionych akcesoriów i przystawek razem z narzędziem Makita opisanym w niniejszej instrukcji.

Stosowanie innych akcesoriów lub przystawek może być przyczyną obrażeń ciała. Akcesoria lub przystawki należy wykorzystywać tylko zgodnie z ich przeznaczeniem.

W razie potrzeby wszelkiej pomocy i szczegółowych informacji na temat niniejszych akcesoriów udziela Państwu lokalne punkty serwisowe Makita.

- Wąż
- Przednie złączki (22, 24, 38)
- Rura prosta
- Rura przedłużająca
- Końcówka szczelinowa
- Szczotka okrągła
- Filtr pyłu, HEPA (do pyłu suchego)
- Przepustnica
- Filtr wstępny
- Filtr wody
- Filtr z tkaniny
- Komplet końcówek
- Wygięta rura
- Worek polietylenowy
- Worek papierowy
- Adapter MAKPAC
- Oryginalny akumulator i ładowarka firmy Makita

WSKAZÓWKA: Niektóre pozycje znajdujące się na liście mogą być dołączone do pakietu narzędziowego jako akcesoria standardowe. Mogą to być różne pozycje, w zależności od kraju.

FIGYELMEZTETÉS

- A gépet nem használhatják korlátozott testi és szellemi képességű vagy olyan személyek, akiknek érzékelése nem tökéletes (beleértve a gyerekeket is), illetve nem rendelkeznek megfelelő tapasztalattal és tudással.
- Ügyelni kell arra, hogy gyermekek ne játszhassanak a porszívóval.
- Az akkumulátor típusreferenciáját lásd a „MŰSZAKI ADATOK” fejezetben.
- Az akkumulátor eltávolításának vagy felszerelésének módjáról lásd az „Akkumulátor felszerelése és eltávolítása”.
- Az akkumulátor ártalmatlanításakor vegye ki azt a szerszámból, és ártalmatlanítsa egy biztonságos helyen. Az akkumulátor ártalmatlanításakor tartsa be a helyi előírásokat.
- Ha a szerszám hosszabb ideig nincs használatban, az akkumulátort ki kell venni a szerszámból.
- Ne zárja rövidre az akkumulátort.
- A felhasználói karbantartás során követendő óvintézkedések részleteit lásd a „KARBANTARTÁS” fejezetben.

RÉSZLETES LEÍRÁS

Típus:		VC001GL	VC003GL
Standard szűrő típusa		Szövetszűrő (száraz és nedves porhoz)	
Maximális levegőtérfogat (BL4040 esetén, ø32 mm x 1,7 m -es gégecső)		2,7 m ³ /min	
Vákuum (BL4040 esetén, ø32 mm x 1,7 m-es gégecső)		23 kPa	
Visszanyerhető kapacitás	Por	8 l	15 l
	Víz	6 l	12 l
Méretek (H x Sz x M)		366 mm x 334 mm x 425 mm	366 mm x 334 mm x 475 mm
Névleges feszültség		36 V - 40 V max., egyenáram	
Nettó tömeg		8,1 - 11,2 kg	8,4 - 11,5 kg
Védettségi fokozat		IPX4	

- Folyamatos kutató- és fejlesztőprogramunk eredményeként az itt felsorolt tulajdonságok figyelmeztetés nélkül megváltozhatnak.
- A műszaki adatok és az akkumulátor országoként változhatnak.
- A súly a tartozékok nélkül, de az akkumulátorral/akkumulátorokkal együtt értendő. A berendezés és az akkumulátor(ok) súlyának kombinációi a táblázatban láthatók.
- Nedves por felszívásához lebegtető és vízszűrő vagy szövetszűrő szükséges.

Alkalmazható akkumulátorok és töltők

Akkumulátor	BL4020 / BL4025 / BL4040* / BL4050F* / BL4080F* * : Javasolt akkumulátor
Töltő	DC40RA / DC40RB / DC40RC

- Lakóhelyétől függően előfordulhat, hogy a fent felsorolt akkumulátorok és töltők nem érhetők el.

▲ FIGYELMEZTETÉS: Csak a fentiekben felsorolt akkumulátorokat és töltőket használja. Bármilyen más akkumulátor vagy töltő használata sérüléseket és/vagy tüzet okozhat.

Szimbólumok

A következőkben a berendezésen esetleg használt jelképek láthatók. A szerszám használata előtt bizonyosodjon meg arról hogy helyesen értelmezi a jelentésüket.



Olvassa el a használati utasítást.



Legyen különösen elővigyázatos és figyelmes.



Figyelmeztetés! A porszívó egészségre ártalmas port tartalmazhat.



Soha ne álljon a porszívóra.



L osztályú (finom) por. A porszívó L osztályú por felszívására képes. Kövesse az adott országban érvényes porra és munkahelyi egészségvédelemre és biztonságra vonatkozó előírásokat.



Csak EU-tagállamok számára
Mivel a berendezésben veszélyes alkatrészek vannak, az elektromos és elektronikus berendezések, akkumulátorok és elemek hulladékaikat negatív hatással lehetnek a környezetre és az emberi egészségre. Az elektromos és elektronikus készülékeket vagy akkumulátorokat ne dobja a háztartási szemétkosárba!
Az elektromos és elektronikus berendezések hulladékairól és az akkumulátorokról és elemekről, valamint az akkumulátorok és elemek hulladékáról szóló európai irányelvnek, valamint a nemzeti jogszabályokhoz történő adaptálásának megfelelően a használt elektromos berendezéseket, elemeket és akkumulátorokat külön kell tárolni, és a települési hulladék elkülönített gyűjtőhelyére kell szállítani a környezetvédelmi előírásoknak megfelelően. Ezt jelzi a berendezésen elhelyezett áthúzott kerek kuka szimbólum.

Rendeltetés

A készülék nedves és száraz por összegyűjtésére szolgál. A készülék ipari célokra, például szállodákban, iskolákban, kórházakban, gyárakban, üzletekben, hivatalokban és kölcsönzőkben való használatra alkalmas.

Jaj

A tipikus A-súlyozású zajszint, a EN60335-2-69 szerint meghatározva:

VC001GL típus

Hangnyomásszint (L_{pA}): 70 dB(A) vagy kisebb
Bizonytalanság (K): 2,5 dB(A)

VC003GL típus

Hangnyomásszint (L_{pA}): 70 dB(A) vagy kisebb
Bizonytalanság (K): 2,5 dB(A)

A zajszint a munkavégzés során meghaladhatja a 80 dB (A) értéket.

MEGJEGYZÉS: A zajkibocsátás értéke a szabványos vizsgálati eljárásnak megfelelően lett mérve, és segítségével az elektromos kéziszerszámok összehasonlíthatók egymással.

MEGJEGYZÉS: A zajkibocsátás értékének segítségével előzetesen megbecsülhető a rezgésnek való kitettség mértéke.

▲ FIGYELMEZTETÉS: Viseljen fülvédőt!

▲ FIGYELMEZTETÉS: A szerszám zajkibocsátása egy adott alkalmazásnál eltérhet a megadott értéktől a használat módjától, különösen a feldolgozott munkadarab fajtájától függően.

▲ FIGYELMEZTETÉS: Határozza meg a kezelő védelmét szolgáló munkavédelmi lépéseket, melyek az adott munkafeltételek melletti vibrációs hatás becsült mértékén alapulnak (figyelembe véve a munkaciklus elemeit, mint például a gép leállításának és üresjáratának mennyiségét az elindítások száma mellett).

Vibráció

A vibráció teljes értéke (háromtengelyű vektorösszeg) az EN60335-2-69 szerint meghatározva:

VC001GL típus

Rezgés kibocsátás ($a_{h,M}$): 2,5 m/s² vagy kisebb
Bizonytalanság (K): 1,5 m/s²

VC003GL típus

Rezgés kibocsátás ($a_{h,M}$): 2,5 m/s² vagy kisebb
Bizonytalanság (K): 1,5 m/s²

MEGJEGYZÉS: A rezgés teljes értéke a szabványos vizsgálati eljárásnak megfelelően lett mérve, és segítségével az elektromos kéziszerszámok összehasonlíthatók egymással.

MEGJEGYZÉS: A rezgés teljes értékének segítségével előzetesen megbecsülhető a rezgésnek való kitettség mértéke.

▲ FIGYELMEZTETÉS: A szerszám rezgés kibocsátása egy adott alkalmazásnál eltérhet a megadott értéktől a használat módjától, különösen a feldolgozott munkadarab fajtájától függően.

▲ FIGYELMEZTETÉS: Határozza meg a kezelő védelmét szolgáló munkavédelmi lépéseket, melyek az adott munkafeltételek melletti vibrációs hatás becsült mértékén alapulnak (figyelembe véve a munkaciklus elemeit, mint például a gép leállításának és üresjáratának mennyiségét az elindítások száma mellett).

EK Megfelelőségi nyilatkozat

Csak európai országokra vonatkozóan

Az EK-megfelelőségi nyilatkozat az útmutató „A” mellékletében található.

BIZTONSÁGI FIGYELMEZTETÉS

A vezeték nélküli porszívókra vonatkozó biztonsági figyelmeztetések

▲ FIGYELMEZTETÉS: FONTOS: HASZNÁLAT ELŐTT MINDENKÉPP OLVASSA EL az összes biztonsági figyelmeztetést és utasítást. Ha nem tartja be a figyelmeztetéseket és utasításokat, akkor áramütés, tűz és/vagy súlyos sérülés következhet be.

1. A porszívót csak olyan személyek használhatják, akik ismerik a kezelésére vonatkozó tudnivalókat.
2. Használat előtt tájékoztatást, utasításokat és oktatást kell biztosítani a kezelőknek a gép használatáról és arról, milyen anyagokhoz használható, ideértve az összegyűjtött anyagok eltávolításának és ártalmatlanításának biztonságos módszerét.
3. Ha hab/folyadék távozik a készülékből, azonnal kapcsolja ki.

4. Rendszeresen tisztítsa a vízszinthatároló készüléket, és rendszeresen ellenőrizze az épességét.
5. Használat előtt mindig győződjön meg róla, hogy a szűrőket megfelelően szerelték be. Ne használja a porszívót szűrők nélkül. Ha a szűrő megsérült, haladéktalanul cserélje ki. Javasoljuk, hogy legyen belőlük tartaléka, hiszen a szűrők fogyóeszközök.
6. **KERÜLJE EL A KÉSZÜLÉK VÉLETLENSZERŰ ELINDÍTÁSÁT.** Győződjön meg arról, hogy a készülék kikapcsolt állapotban van, mielőtt beleteszi az akkumulátor(oka)t.
7. Ne szívjon fel gyúlékony anyagokat, tűzijátékokat, égő cigarettát, forró hamut, forró fémforgácsot, valamint éles tárgyakat, pl. borotvát, tűt, üvegcserepeket és hasonlókat.
8. **TILOS A PORSZÍVÓT BENZIN, GÁZ, FESTÉK, RAGASZTÓ ÉS MÁS ROBBANÉKONY ANYAGOK KÖZELÉBEN HASZNÁLNI.** A kapcsoló be- és kikapcsoláskor szikrázik. Működés közben a motor kommutátora is szikrákat bocsát ki. A szikrák pedig robbanást okozhatnak.
9. Tilos mérgező, rákkeltő, gyúlékony és más veszélyes anyagot, például azbesztest, arzént, báriumot, berilliumot, ólmot, növényvédőszt és más egészségre ártalmas szert felporszívózni.
10. Mindig vízszintes sík felületre helyezze a porszívót, hogy megakadályozza a leesését vagy a véletlen elmozdulását.
11. Soha ne használja a porszívót szabad téren, esőben.
12. Finnország esetén a gépet nem szabad kültéren, alacsony hőmérsékleten használni.
13. Ne használja tűzhely vagy más hőforrás közelében.
14. Ha a kiáramló levegőt visszavezetik a szobába, biztosítani kell a helyiségben a megfelelő légcseres-sebességet. Hivatkozni szükséges a nemzeti szabályzatokra.
15. Ne zárja el a szívónyílást/kifúvónyílást/szellőzőnyílásokat. Ezeken keresztül hűl a motor. Feltétlenül meg kell akadályozni ezek elzáródását, mert a szellőzés megszüntése a motor leégését okozza.
16. Mindig megfelelően szilárd helyzetben és egyensúlya megtartásával dolgozzon.
17. A gégecsövet ne hajlítsa meg, ne húzza és ne lépjen rá.
18. Azonnal kapcsolja ki a porszívót, ha teljesítménye csökken, vagy más rendellenességet észlel működés közben.
19. **TÁVOLÍTSA EL AZ AKKUMULÁTOR(OKA)T.** Amikor a készüléket nem használja, amikor javítást végez rajta, és amikor tartozékokat cserél.
20. Minden használat után tisztítsa meg és vizsgálja át a készüléket, hogy az mindig kifogástalan állapotban legyen.
21. **A PORSZÍVÓ KARBANTARTÁSA.** A hatékony és biztonságos működés érdekében mindig tartsa tisztán a porszívót. Tartsa be a tartozékok cseréjére vonatkozó útmutatásokat. A fogantyúkat/karokat tartsa szárazon, tisztán, valamint olaj- és zsírmentesen.
22. **A SÉRÜLT ALKATRÉSZEK VIZSGÁLATA.** A porszívó használata előtt vizsgálja meg alaposan a sérült védőburkolatokat vagy más alkatrészeket, és döntse el, hogy működőképesek-e. Ellenőrizze a mozgó részek illeszkedését és rögzítését, az alkatrészek vagy a szerelvények törését vagy bármely olyan körülményt, amely hatással lehet a gép működésére. A sérült védőfelszerelést vagy alkatrészeket hivatalos szervizközpontban megfelelő módon kell javítani vagy cseréltetni, kivéve, ha a jelen használati utasítás másként rendelkezik. A hibás kapcsolatokat cseréltesse ki hivatalos szervizközpontban. Ne használja a porszívót, ha nem lehet be- vagy kikapcsolni a kapcsolóval.
23. A felhasználoí szervizhez a gépet szét kell szedni, meg kell tisztítani, és szervizelni kell, amennyire ésszerűen kivitelezhető, anélkül, hogy veszélyeztetné a karbantartó személyzetet és másokat.
24. A gépet a gyártónak vagy egy képzett személynek legalább évente meg kell vizsgálnia, és állhat például a szűrők esetleges sérülésének, a gép légzárásának, valamint a vezérlőmechanizmusok megfelelő működésének vizsgálatából.
25. Szervizelési vagy javítási műveletek végrehajtásakor minden olyan szennyezett elemet, amelyet nem lehet kielégítően megtisztítani vagy ártalmatlanítani, vízhatlan zsákban kell ártalmatlanítani az ilyen hulladékok ártalmatlanításáról szóló hatályos szabályozással összhangban.
26. **TARTALÉK ALKATRÉSZEK.** Javításhoz csak az eredetivel azonos tartalék alkatrészeket használjon.
27. **A HASZNÁLATON KÍVÜLI KÉSZÜLÉK TÁROLÁSA.** A használaton kívüli porszívót zárt térben kell tárolni.
28. A nedves szűrőket és a folyadékártályok belső részét tárolás előtt ki kell szárítani.
29. Bányon óvatosan a porszívóval. A durva kezeléstől még a legmasszívabb kivitelű porszívó is elromolhat.
30. Ne használjon a készülék belső vagy külső részeinek tisztításához benzint, hígítót vagy tisztító vegyszereket. A felsorolt anyagok repedéseket és elszíneződést okozhatnak.
31. Ne használja a porszívót olyan zárt térben, ahol olajbázisú festékek, festékkihígítók, benzin, bizonyos molyirtószeres gyúlékony, robbanékony vagy mérgező gőzöket bocsátanak ki, vagy ahol gyúlékony porok találhatóak.
32. Sem ezt, sem egyéb szerszámot ne használjon gyógyszer vagy alkohol hatása alatt.
33. Alapvető biztonsági felszerelésként használjon porvédő szemüveget vagy oldalsó védőlemezrel ellátott védőszemüveget.
34. Poros környezetben viseljen porvédő maszkot.
35. A gépet nem használhatják korlátozott testi és szellemi képességű vagy olyan személyek, akiknek érzékelése nem tökéletes (beleértve a gyerekeket is), illetve nem rendelkeznek megfelelő tapasztalattal és tudással.

36. Ügyelni kell arra, hogy gyermekek ne játszhassanak a porszívóval.
37. Ne nyúljon az akkumulátor(ok)hoz és a porszívóhoz nedves kézzel.
38. Legyen különösen óvatos, ha lépcsőn használja a porszívót.
39. Ne használja a porszívót állványként vagy munkafelületként. A gép eldőlhethet, és személyi sérülést okozhat.

Akkumulátoros szerszám használata és karbantartása

1. Csak a gyártó által meghatározott töltővel töltsze fel az akkumulátort. Egy bizonyos akkumulátortípushoz használható töltő más akkumulátortípussal való használata tűzveszélyt idézhet elő.
2. A szerszámgepeket kizárólag a meghatározott akkumulátorokkal használja. Egyéb akkumulátorok használata sérülés vagy tűz kockázatával járhat.
3. Amikor az akkumulátort nem használja, tartsa távol a többi fémtárgytól, például iratkapcsoktól, érméktől, kulcsoktól, szögektől, csavaroktól vagy egyéb olyan apró fémtárgyaktól, amelyek összekötését hozhatnak létre a pólusok között. Az akkumulátor pólusainak rövidre zárása égési sérüléseket vagy tüzet okozhat.
4. Helytelen működtetés esetén az akkumulátorból folyadék kerülhet ki; kerülje az ezzel való érintkezést. Ha véletlenül mégis érintkezésbe kerülne a folyadékkal, mossa le azt vízzel. Ha a folyadék szemébe jut, azonnal forduljon orvoshoz segítségért. Az akkumulátorból származó folyadék irritációt és égéseket okozhat.
5. Ne használjon sérült vagy módosított akkumulátort vagy szerszámot. A sérült vagy módosított akkumulátorok váratlan módon viselkedhetnek, melynek következtében tüzet, robbanást vagy sérülést okozhatnak.
6. Ne tegye ki az akkumulátort és a szerszámot nyílt lángnak vagy túlzott hőhatásnak. A tűz hatása és a 130 °C feletti hőmérséklet robbanást okozhat.
7. A töltésre vonatkozó minden utasítást tartson be, ne töltsze az akkumulátort vagy a szerszámot a megadott hőmérséklettartományon kívül. A nem megfelelő módú és nem megfelelő hőmérsékleten történő töltés az akkumulátor károsodásával járhat, valamint tüzet okozhat.

ŐRIZZE MEG EZEKET AZ UTASÍTÁSOKAT.

▲ FIGYELMEZTETÉS: NE HAGYJA, hogy (a termék többszöri használatából eredő) kényelem és megszokás váltsa fel a termék biztonsági előírásainak szigorú betartását. A **HELYTELEN HASZNÁLAT** és a használati útmutatóban szereplő biztonsági előírások megszegése súlyos személyi sérülésekhez vezethet.

Fontos biztonsági utasítások az akkumulátorra vonatkozóan

1. Az akkumulátor használata előtt tanulmányozza át az akkumulátortöltőt (1), az akkumulátoron (2) és az akkumulátorral működtetett terméken (3) olvasható összes utasítást és figyelmeztető jelzést.
2. Ne szerelje szét, és ne módosítsa az akkumulátort. Tüzet, túlzott hőt vagy robbanást okozhat.
3. Ha a működési idő nagyon lerövidült, azonnal hagyja abba a használatot. Ez a túlmelegedés, esetleges égések és akár robbanás veszélyével is járhat.
4. Ha elektrolit kerül a szemébe, mossa ki azt tiszta vízzel és azonnal kérjen orvosi segítséget. Ez a látásának elvesztését okozhatja.
5. Ne zárja rövidre az akkumulátort:
 - (1) Ne érjen az érintkezőkhöz elektromosan vezető anyagokkal.
 - (2) Ne tárolja az akkumulátort más fémtárgyakkal, mint pl. szegekkel, érmekkel, stb. egy helyen.
 - (3) Ne tegye ki az akkumulátort víznek vagy esőnek.

Az akkumulátor rövidzárlata nagy áramerősséget, túlmelegedést, égéseket, sőt akár meghibásodást is okozhat.

6. Ne tárolja és használja a szerszámot vagy az akkumulátort olyan helyen, ahol a hőmérséklet elérheti vagy meghaladhatja az 50 °C-t (122 °F).
7. Ne égesse el az akkumulátort még akkor sem, ha az komolyan megsérült vagy teljesen elhasználódott. Az akkumulátor a tűzben felrobbanhat.
8. Ne szúrja meg, ne vágja meg, ne törje össze, ne dobja el és ne ejtse le az akkumulátort, illetve ne üsse hozzá kemény tárgyhoz. Az ilyen magatartás tüzet, túlzott hőt vagy robbanást okozhat.
9. Ne használjon sérült akkumulátort.
10. A készülékben található lítium-ion akkumulátorok a veszélyes árukkal kapcsolatos előírások vonatkoznak.

A termék pl. harmadik felek, fuvarozó cégek stb. által történő szállítása esetén minden esetben tartsa szem előtt a csomagoláson és a címkén található speciális követelményeket.

A termék szállításra történő felkészítése esetén vegye fel a kapcsolatot egy veszélyes anyagokkal foglalkozó szakemberrel. Kérjük, hogy az esetlegesen szigorúbb nemzeti előírásokat is vegye figyelembe.

Ragassza le a kiálló érintkezőket, illetve oly módon csomagolja be az akkumulátort, hogy az ne tudjon elmozdulni a csomagolásban.
11. Az akkumulátor ártalmatlanításakor vegye ki azt a szerszámból, és ártalmatlanítsa egy biztonságos helyen. Az akkumulátor ártalmatlanításakor tartsa be a helyi előírásokat.
12. Az akkumulátorokat csak a Makita által megjelölt termékekhez használja. Ha az akkumulátorokat azokkal nem kompatibilis termékekbe helyezi, az tűzhez, túlmelegedéshez, robbanás-hoz vagy elektrolitszivárgáshoz vezethet.

13. Ha a szerszám hosszabb ideig nincs használatban, az akkumulátort ki kell venni a szerszámból.
14. Használat közben és után az akkumulátor felforrósodhat, ami égési sérülést vagy alacsony hőmérsékletű égési sérülést okozhat. Figyeljen oda a forró akkumulátor kezelésére.
15. Ne érintse meg közvetlenül a szerszám érintkezőjét, mert elég forró lehet ahhoz, hogy égési sérüléseket okozzon.
16. Ne engedje, hogy forgács, por vagy sár tapadjon az akkumulátor érintkezőire, lyukaiba és hornyaiiba. Az felmelegedést, tüzet, robbanást és a szerszám vagy az akkumulátor meghibásodását okozhatja, ami égési és személyi sérülésekhez vezet.
17. Hacsak a szerszám nem támogatja a nagyfeszültségű elektromos vezetékek közelében történő használatot, ne használja az akkumulátort nagyfeszültségű elektromos vezetékek közelében. Az a szerszám vagy az akkumulátor hibás működését vagy meghibásodását okozhatja.
18. Tartsa távol a gyermekektől az akkumulátort.

ŐRIZZE MEG EZEKET AZ UTASÍTÁSOKAT.

⚠ VIGYÁZAT: Csak eredeti Makita akkumulátorokat használjon. A nem eredeti Makita akkumulátorok vagy módosított akkumulátorok használata esetén az akkumulátor felrobbanhat, ami tüzet, személyi sérülést és anyagi kárt okozhat. A Makita szerszámra és töltőre vonatkozó Makita garanciát is érvénytelenítheti.

Tippek az akkumulátor maximális élettartamának eléréséhez

1. Töltse fel az akkumulátort, mielőtt teljesen lemerülne. Állítsa le a gépet, és töltsen fel az akkumulátort, ha a gép erejének csökkenését észleli.
2. Soha ne töltsen újra a teljesen feltöltött akkumulátort. A túltöltés csökkenti az akkumulátor élettartamát.
3. Töltse az akkumulátort szobahőmérsékleten, 10 °C - 40 °C (50 °F - 104 °F) között. Töltés előtt hagyja lehűlni a felforrósodott akkumulátort.
4. Ha nem használja az akkumulátort, vegye ki a szerszámból vagy a töltőből.
5. Töltse fel az akkumulátort, ha hosszabb ideje (több mint hat hónapja) nem használta azt.

ALKATRÉSZEK

- **Ábra1:** 1. Fő egység 2. Lebegtető 3. Lebegtető kerete 4. Szövetszűrő 5. Tartály

A MŰKÖDÉS LEÍRÁSA

⚠ VIGYÁZAT: Mielőtt bármiféle beállítást vagy ellenőrzést végezne a készüléken, minden esetben ellenőrizze, hogy a készülék ki van-e kapcsolva és az akkumulátorok eltávolításra kerültek-e.

Az akkumulátor behelyezése és eltávolítása

⚠ VIGYÁZAT: Mindig kapcsolja ki a készüléket, mielőtt behelyezi vagy eltávolítja az akkumulátorokat.

⚠ VIGYÁZAT: Az akkumulátorok behelyezésekor vagy eltávolításakor erősen fogja meg a porszívót és az akkumulátorokat. Ennek elmulasztása miatt azok kicsúszhatnak a kezéből, ami a porszívó és az akkumulátorok károsodásához vagy akár személyi sérüléshez is vezethet.

⚠ VIGYÁZAT: Vigyázzon, hogy az akkumulátorfedél kinyitásakor és bezárásakor ne csipje be az ujját. Ennek elmulasztása személyi sérüléseket okozhat.

A porszívónak két akkumulátortartó rekesze van. A két egyforma akkumulátorral párhuzamosan kiterjesztheti az üzemidőt, egy vagy több behelyezést során nem kell megállnia az akkumulátorokat újratölteni. A porszívó egy akkumulátorral is működik, így választhatja az egy vagy két akkumulátor között az igényeinek megfelelően.

- **Ábra2:** 1. Bal oldali akkumulátortartó rekesz
2. Jobb oldali akkumulátortartó rekesz

Két akkumulátorral

A folyamatos két akkumulátoros működés hosszabb üzemidőt és hatékonyabb takarítást tesz lehetővé. Amikor az első akkumulátor kezd kiürülni, a porszívó automatikusan áramforrást vált, így a második akkumulátorral folytatja a munkát.

MEGJEGYZÉS: A bal oldali akkumulátortartó rekesznek (a porszívó elejével szemben állva nézve) prioritása van a jobb oldali akkumulátortartó rekesznel szemben. A jobb oldali akkumulátortartó rekesz csak akkor kerül áramforrásként azonosításra, amikor vagy nincs akkumulátor elhelyezve a bal oldali akkumulátortartó rekeszben, vagy az akkumulátor a bal oldali akkumulátortartó rekeszben kezd kiürülni.

MEGJEGYZÉS: Kiveheti az akkumulátort a bal oldali akkumulátortartó rekeszből és újratöltheti, miután a porszívó áramforrást váltott a bal oldali akkumulátortartó rekeszről a jobb oldalra a működés megszakítása nélkül. A bal oldali akkumulátortartó rekesz a porszívó újraindításával kapja vissza a prioritását.

Egy akkumulátorral

Csak egy akkumulátorra van szükség áramforrásként vagy a bal vagy a jobb oldali akkumulátortartó rekeszben. A porszívó automatikusan meghatározza, melyik akkumulátortartó rekesz érhető el a működési körülmények alapján.

Telepítés és szétszerelés

Az akkumulátorok beszereléséhez először nyissa ki a reteszt, majd nyissa ki az akkumulátorfedelet. Ezután szerelje be az akkumulátort.

► **Ábra3:** 1. Retesz 2. Akkumulátorfedél

Illessze az akkumulátorok nyelveit az akkumulátortartó található vajatokba, és csúsztassa azokat a helyére. Egészen addig tolja be azokat, amíg az akkumulátorok egy kis kattánással a helyükre nem ugranak. Ezután reteszelve be az akkumulátorfedelet.

► **Ábra4:** 1. Akkumulátor 2. Gomb

Az akkumulátorok eltávolításához tartsa lenyomva az akkumulátoregységek elején található gombot, miközben csúsztassa ki azokat az akkumulátortartóból.

⚠ VIGYÁZAT: Mindig nyomja be teljesen az akkumulátort. Ha nem így jár el, az akkumulátor kieshet a készülékből, és önnel vagy a környezetében tartózkodóknak sérülést okozhat.

⚠ VIGYÁZAT: Ne erőltesse az akkumulátort behelyezéskor. Ha az akkumulátor nem csúszik be könnyedén, akkor nem megfelelően lett behelyezve.

MEGJEGYZÉS: Amikor a porszívó áramforrást vált az első akkumulátorról a másodikra, ideiglenes működés-leállásra lehet szüksége, ami nyhede csúszást okozhat. Kérjük, vegye figyelembe, hogy ez nem meghibásodás, így a porszívó helyreáll és folytatja a működést a leállást követően azonnal.

Az akkumulátor töltöttségének jelzése

Nyomja meg az ellenőrzőgombot, hogy az akkumulátortöltés-jelző megmutassa a hátralévő akkumulátor-kapacitást. Ekkor a töltöttségjelző lámpák néhány másodpercre kigyulladnak.

► **Ábra5:** 1. Jelzőlámpák 2. Check (ellenőrzés) gomb

Jelzőlámpák			Töltöttségi szint
Világító lámpa	KI	Villogó lámpa	
■	□	◐	75%-tól 100%-ig
■ ■ ■ ■	□	□	50%-tól 75%-ig
■ ■ □ □	□	□	25%-tól 50%-ig
■ □ □ □	□	□	0%-tól 25%-ig
◐ □ □ □	□	□	Töltse fel az akkumulátort.
■ ■ □ □	□	□	Lehetséges, hogy az akkumulátor meghibásodott.
□ □ ■ ■	□	□	

MEGJEGYZÉS: Az adott munkafeltételektől és a környezet hőmérsékletétől függően a jelzett töltöttségi szint némileg eltérhet a tényleges töltöttségi szinttől.

MEGJEGYZÉS: Az első (bal oldali szélső) jelzőlámpa villog, ha az akkumulátorvédelem rendszer működik.

Akkumulátor jelzőfények a vezérlőpanelen

A hátralévő akkumulátor-kapacitást mindig meg lehet nézni a vezérlőpanelen. Nyomja meg az ellenőrzés gombot, és a bal és jobb jelzőfények megmutatják a hozzájuk tartozó akkumulátorok töltöttségi szintjét.

► **Ábra6:** 1. Akkumulátor jelzőfények 2. Check (ellenőrzés) gomb

► **Ábra7**

Akkumulátor jelzőfényének állapota			Hátralévő akkumulátor-kapacitás
BE	KI	Villogó lámpa	
			50%-tól 100%-ig
			20%-tól 50%-ig
			0%-tól 20%-ig
			Töltse fel az akkumulátort
			Nincs behelyezve akkumulátor

MEGJEGYZÉS: Az akkumulátor jelzőfények akkor is aktiválódnak, amikor a porszívó működni kezd vagy egyik áramforrásról a másikra vált.

Készülék-/akkumulátorvédelem rendszer

A készülék készülék-/akkumulátorvédelem rendszerrel van felszerelve. A rendszer automatikusan kikapcsolja a motor áramellátását, így megnöveli a készülék és az akkumulátor élettartamát. A készülék működés közben automatikusan leáll, ha a készülék vagy az akkumulátor a következő állapotok egyikébe kerül:

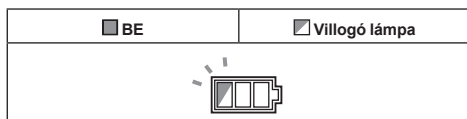
Túlterhelésvédelem

Ha a készüléket/akkumulátort úgy használják, hogy az rendellenesen nagy áramot vesz fel, a készülék automatikusan leáll. Ilyenkor kapcsolja ki a készüléket, és fejezze be azt a műveletet, amelyik a készülék túlterhelését okozta. Az újraindításhoz kapcsolja be a készüléket.

Túlmelegedés elleni védelem

BE	Villogó lámpa

A készülék túlmelegedéskor automatikusan leáll, és a bal és jobb oldali akkumulátor jelzőfény is villog. Ilyenkor hagyja lehűlni a készüléket, mielőtt ismét bekapcsolná.



Amikor az akkumulátor túlmelegszik, a készülék automatikusan leáll, és az egyik túlmelegedett akkumulátort jelző fény villog. Ilyenkor hagyja lehűlni az akkumulátort, mielőtt ismét bekapcsolná a készüléket.

Mélykisütés elleni védelem

Amikor az akkumulátor kapacitása lecsökken, a készülék automatikusan leáll. Ha készülék a kapcsolókkal sem működtethető, távolítsa el az akkumulátorokat a készülékből, és tölts fel azokat.

Egyéb okok elleni védelem

A védelmi rendszert más olyan okok ellen is tervezték, amelyek károsíthatják a készüléket és amelyek lehetővé teszik, hogy a készülék automatikusan leálljon. Hajtsa végre az alábbi összes lépést az okok tisztázása érdekében, ha a készülék ideiglenesen vagy teljesen leállt.

1. Kapcsolja ki a készüléket, majd kapcsolja be ismét az újraindításhoz.
2. Tölts fel az akkumulátor(oka)t vagy cserélje ki azt/azokat újratöltött akkumulátorral.
3. Hagyja, hogy a készülék és az akkumulátor(ok) lehűljenek.

Ha nem történik javulás a védelmi rendszer helyreállítása után sem, forduljon a helyi Makita Szervizközpontoz.

A kapcsoló használata

A porszívó bekapcsolása

1. Állítsa a készenléti kapcsolót az „I” (BE) állásba, hogy felkészítse a porszívót a készenléti üzemmódra.
2. Nyomja meg a be-/kikapcsoló gombot. Visszaváltáshoz a készenléti üzemmódba nyomja meg újra a be-/kikapcsoló gombot.

A porszívó kikapcsolása

Az alábbi lépések egyikét hajtsa végre.

- Nyomja meg a be-/kikapcsoló gombot, amivel a porszívót visszaállítja a készenléti üzemmódba, majd állítsa a készenléti kapcsolót az „O” (KI) állásba.
- Kapcsolja a készenléti kapcsolót az „O” (KI) állásba.

A szívóteljesítmény beállítása

A szívóerő az adott munkának megfelelően beállítható.

- Forgassa a szívóerő-szabályozó gombot balra a szívóerő csökkentéséhez.
- Forgassa a szívóerő-szabályozó gombot jobbra a szívóerő növeléséhez.

- **Ábra8:** 1. Készenléti kapcsoló 2. Be-/kikapcsoló gomb 3. Szívóerő-szabályozó gomb

Szívás automatikus leállítása nedves por felszívása közben

▲ FIGYELMEZTETÉS: Ne használja hosszabb ideig a készüléket, ha a lebegtető mechanizmus működik. A porszívó túlmelegedhet és deformálódhat, ha hosszabb ideig használja működő lebegtetővel.

▲ FIGYELMEZTETÉS: Ne szírvon fel a készülékkel habot vagy szappanos folyadékot. Ilyenkor hab léphet ki a szellőzőnyíláson, még azt megelőzően, hogy a lebegtető működésbe lépne. Ha ilyen körülmények között tovább üzemelteti a porszívót, az meghibásodhat és áramütést okozhat.

A szívás automatikus leállítása funkció csak akkor működik, ha a porszívót lebegtetővel és a lebegtető keretével együtt használja.

A porszívóban egy lebegtető mechanizmus működik, amely megakadályozza, hogy egy bizonyos mennyiség-nél több víz felszívásakor se kerüljön víz a motorba. Ha a tartály megtelt, és a porszívó már nem szív fel vizet, kapcsolja ki a porszívót, és ürítse ki a tartályt.

A görgők lezárása és kioldása

A hátsó görgőket rögzítőkkal le lehet zárni, hogy a porszívó mozdulatlan maradjon.

Engedje le a rögzítőkart kézzel a görgő lezárásához és emelje fel a kioldásához.

- **Ábra9:** 1. Görgő 2. Rögzítőkar 3. SZABAD helyzet 4. ZÁRT helyzet

MEGJEGYZÉS: A porszívó mozgatása előtt mindig győződjön meg arról, hogy a görgő nincs rögzítve. Ha rögzített görgővel mozgatja a porszívót, a görgő megsérülhet.

Hordozófogantyú

▲ VIGYÁZAT: Megfelelő gondossággal emelje fel és szállítsa a készüléket. Ellenkező esetben személyi sérülés vagy a készülék károsodása történhet.

A porszívót mindig a fő egységen található fogantyúnál fogva kell szállítani. A fogantyú visszahúzható a fő egységbe, amikor nem használja azt.

- **Ábra10**

ÖSSZESZERELÉS

▲ VIGYÁZAT: Ha a készüléken különféle munkálatokat szeretne végezni, előtte feltétlenül kapcsolja ki a készüléket, és vegye ki belőle az akkumulátorokat.

▲ VIGYÁZAT: A készülék összeszerelése és karbantartása során mindig viseljen pormaszkot.

A porszűrő (HEPA) és az előszűrő beszerelése (száraz porhoz)

Opcionális kiegészítők

⚠VIGYÁZAT: Ne szívjon fel vizet, más folyadékot vagy nedves port, amikor a porszűrőt használja. Ha ilyen anyagokat szív fel, a porszűrő tönkremehet.

A porszűrő használata:

1. Lazítsa meg a lebegtető keretét tartó csavarokat, majd vegye ki a csavarokat, a lebegtető keretét és a lebegtetőt a fő egységből.
▶ **Ábra11:** 1. Csavar 2. Lebegtető kerete 3. Lebegtető 4. Fő egység
2. Vegye ki a szövetzsűrőt a tartályból.
▶ **Ábra12:** 1. Szövetzsűrő 2. Tartály
3. Helyezze az előszűrőt a tartályba az előszűrő és a tartály beszerelési helyzetjelző jelöléseinek egymáshoz igazításával.
4. Illessze a nedvesítőbetétet az előszűrőbe, majd helyezze a porszűrőt a nedvesítőbetét fölé a porszűrő és az előszűrő beszerelési helyzetjelző jelöléseinek egymáshoz igazításával.
5. Szerelje a fő egységet a tartályra és rögzítse őket a záróreteszekkel.
▶ **Ábra13:** 1. Fő egység 2. Porszűrő (HEPA) 3. Nedvesítőbetét 4. Előszűrő 5. Tartály 6. Helyzetjelző jelölés

MEGJEGYZÉS: A porszűrő használata előtt győződjön meg róla, hogy azt az előszűrővel és a nedvesítőbetéttel együtt használja. Ne használja a porszűrőt az előszűrő és a nedvesítőbetét nélkül.

A vízsűrő beszerelése

Opcionális kiegészítők

MEGJEGYZÉS: Soha ne szívjon fel vizet vagy nedves port a lebegtető, illetve a szövetzsűrő vagy a vízsűrő használata nélkül.

MEGJEGYZÉS: Nedves por felszívásához győződjön meg arról, hogy a lebegtető kerete és a lebegtető fel vannak szerelve a porszűrőre.

MEGJEGYZÉS: A vízsűrőt helyezze szorosan a tartály nyílására úgy, hogy a szűrő horga szilárdan üljön a tartály nyílásán, nem hagyva teret a tartály és a szűrő között.

Ha csak vizet vagy nedves port kell felszívni, arra alkalmasabb a vízsűrő, mint a szövetzsűrő. A vízsűrő beszerelésekor illessze a rajta található helyzetjelző jelölést a tartályon lévőhöz.

- ▶ **Ábra14:** 1. Vízsűrő 2. Tartály 3. Helyzetjelző jelölés

MEGJEGYZÉS: Ha többször egymás után nagy mennyiségű vizet kell felszívni, használja a vízsűrőt. Ha a szövetzsűrőt használja, előfordulhat, hogy csökken a szívóerő.

A papírzsák behelyezése

Opcionális kiegészítők

⚠FIGYELMEZTETÉS: A papírzsák használata előtt ellenőrizze, hogy a szövetzsűrő vagy az előszűrő a helyén legyen. Ha nem használ szövetzsűrőt/előszűrőt a papírzsákkal együtt, az szokatlanul nagy zajhoz és hőhöz, illetve tűzhöz vezethet.

MEGJEGYZÉS: Ne szívjon fel vizet, más folyadékot vagy nedves port, amikor papírzsákot használ. Ha ilyen anyagokat szív fel, a papírzsák kiszakadhat.

MEGJEGYZÉS: Szövetzsűrő használata esetén győződjön meg róla, hogy a lebegtető és a lebegtető kerete fel van szerelve a fő egységre.

MEGJEGYZÉS: Előszűrő használata esetén győződjön meg róla, hogy a porszűrőt és a nedvesítőbetét együtt használja.

1. Nyisson szét egy papírzsákot.
2. Illessze a papírzsák nyílását a tartály porbemenetéhez.
3. Helyezze a papírzsákot a tartályba a kartonlap nyílását beakasztva a papírzsák tartójába.
▶ **Ábra15:** 1. Papírzsák 2. Kartonlap nyílás 3. Papírzsák tartója 4. Porbemenet

A polietilén zsák behelyezése

A polietilén zsákkal ellátott tartály könnyen üríthető anélkül, hogy a keze koszos lenne.

Fektesse a polietilén zsákot a tartályra, és csúsztassa a zsák szájának egyik felső szélét a tartólap és a tartály elülső fala közé.

- ▶ **Ábra16:** 1. Tartólap 2. Tartály elülső fala 3. Polietilén zsák

Terítse szét a zsák másik felső szélét kifelé a tartály felső peremeire. Helyezze a szövetzsűrőt vagy az előszűrőt a polietilén zsákra, hogy a zsák száját szorosan bekösse.

- ▶ **Ábra17:** 1. Szövetzsűrő/előszűrő

MEGJEGYZÉS: Erre a célra megfelelnek az üzletekben kapható polietilén zsákok. Célszerű legalább 0,04 mm vastagságú zsákot használni.

MEGJEGYZÉS: A zsák könnyen elreped, ha túl sok por kerül bele, ezért csak annyi port gyűjtson össze benne, ami nem haladja meg a zsák kapacitásának felét.

A polietilén zsákos tartály ürítése

⚠FIGYELMEZTETÉS: Minden esetben ellenőrizze, hogy a porszívó ki van kapcsolva, és az akkumulátorok eltávolításra kerültek, mielőtt kiüriti a tartályt. Ennek elmulasztása áramütést vagy súlyos személyi sérülést okozhat.

MEGJEGYZÉS: Ügyeljen arra, hogy a lebegtető keretét és a tartályt ne érje nagy ütés. A nagyobb ütések deformálhatják és károsíthatják az alkatrészeket.

MEGJEGYZÉS: Legalább naponta egyszer ürítse ki a tartályt – de az ürítés gyakorisága az összegyűlt por mennyiségétől is függ. Ha nem üríti rendszeresen, csökkenhet a szívóerő, és tönkremeget a motor.

MEGJEGYZÉS: A tartály kiürítésekor ne az akasztókat vagy a reteszeket fogja meg. Az akasztók vagy reteszek a megmarkolásuk miatt letörhetnek.

Oldja ki a záróreteszeket és emelje le a fő egységet a tartályról. Rázza ki a port a szövetzsűrőből vagy az előzsűrőből, mielőtt leemelné a szűrőt a tartályról. Majd vegye ki a polietilén zsákokat a tartályból, a zsák nyílását kézzel lezárva.

▶ **Ábra18:** 1. Polietilén zsák 2. Tartály

MEGJEGYZÉS: Óvatosan vegye ki a polietilén zsákokat a tartályból, nehogy a tartály belső élei felszakítsák vagy kilyukasszák.

MEGJEGYZÉS: Ürítse ki a polietilén zsákokat, mielőtt az megtelne. Ha túl sok por van a tartályban, a polietilén zsák kiszakadhat.

A multiakasztó felszerelése

Használja a multiakasztót a használaton kívüli gégecső, kiegészítők és tartozékok helyben történő tárolásához, ahonnan gyorsan kivetheti őket a kívánságainak megfelelően.

▶ **Ábra19**

Helyezze a multiakasztót a porszívó hátulján található szerelőlapra, beállítva a multiakasztó sínjeit a szerelőlap vágataiba.

▶ **Ábra20:** 1. Multiakasztó 2. Szerelőlap

A MAKPAC-adapter telepítése

Opcionális kiegészítők

A porszívó tetejére opcionális adapter segítségével MAKPAC csatlakoztatható és egymásra rakható tárolódobozok telepíthetők. A tárolódobozok sok méretben is stílusban kaphatóak, hogy megfeleljenek a kívánságainak.

Helyezze a szerelőlap akasztóját a porszívó fogantyúja fölé a szerelési felületével felfelé, amikor a fogantyú a zárt állásába van hajtva.

▶ **Ábra21:** 1. Szerelőlap akasztója 2. Szerelési felület 3. Fogantyú

Szerelje a MAKPAC-adaptert a szerelőlap akasztójára, és rögzítse őket össze a mellékelt négy csavarral.

▶ **Ábra22:** 1. MAKPAC-adapter 2. Szerelőlap akasztója 3. Csavar

Emelje fel a húzókeretet és szorítsa meg a gombot a MAKPAC tárolódobozok porszívóra telepítésének előkészítéséhez.

▶ **Ábra23:** 1. Húzókeret 2. Gomb

MEGJEGYZÉS: A MAKPAC tárolódobozok telepítési részleteit a MAKPAC-adapterhez és a tárolódobozokhoz mellékelt utasításokban találja.

A gégecső felszerelése

MEGJEGYZÉS: Soha ne hajlítsa meg erővel a gégecsövet, és ne lépjen rá. Soha ne mozgassa a porszívót a gégecsővel húzva. Az erőltetett hajlítás, a taposás és húzás következtében a gégecső deformálódhat vagy elrepedhet.

MEGJEGYZÉS: Gyaluforgács, betonpor és más hasonló nagy méretű hulladék porszívózásakor használjon 38 mm belső átmérőjű gégecsövet (opcionális tartozék). Ha ilyen esetekben 28 mm-es belső átmérőjű gégecsövet (opcionális tartozék) használ, az eltömődhet és tönkremeget.

Csatlakoztatás a porszívóhoz

Illeszze a gégecső végét a porszívó porbemenetéhez (gégecső bemenete), majd fordítsa el az óramutató járásával megegyező irányba, amíg a helyére nem rögzül.

▶ **Ábra24:** 1. Gégecső 2. Porbemenet (gégecső bemenete)

Csatlakozók az elektromos szerszámgépeihez (Országfüggő)

A porszívót a rendelkezésre álló szerszámgépeihez csatlakoztatva porszívóként működik a szerszámgépekhez.

Válassza ki az egyik elülső karmantyút vagy csatlakozót (opcionális kiegészítők), amelyek a legjobban megfelelnek a szerszáma típusának. Helyezze a karmantyút vagy csatlakozót, ahogy szükséges, a porszívó gégecső elülső vége és a szerszáma porszívó nyílása közé.

▶ **Ábra25:** 1. Elülső karmantyú vagy csatlakozó 2. Porszívó gégecsőve 3. Szerszámgép 4. Porszívó

A szívótartozékok felszerelése és eltávolítása

⚠VIGYÁZAT: A tartozék felszerelése után ellenőrizze, hogy biztonságosan van-e rögzítve. Ha a tartozék nem megfelelően van felszerelve, leeshet, és személyi sérülést okozhat.

Reteszelő funkció nélküli tartozék használatakor

Opcionális kiegészítők

Nyomja a tartozékot a porszívó szívónyílásához és kézzel forgassa a helyére.

Használat után kézzel fordítsa el a tartozékot és húzza szét a tartozékot és a szívónyílást.

▶ **Ábra26**

Reteszelő funkciós tartozékok

Opcionális kiegészítők

MEGJEGYZÉS: A reteszelő funkciós tartozék felszerelésekor vigyázzon, hogy a kioldógombot a tartozékon lévő akasztóhoz igazítsa. Ha nincsenek egy vonalban, a tartozék nem rögzül, és leeshet a porszívóról.

Illeszze a tartozékot a porszívó szívó bemenetéhez egy kattintással összenyomva őket.

A tartozék eltávolításához a kioldógomb lenyomása közben húzza ki.

▶ **Ábra27:** 1. Reteszelő funkciós szívónyílás 2. Kioldógomb 3. Reteszelő funkciós tartozék

MEGJEGYZÉS: Reteszelő funkció tartozék csak reteszelő funkció szívónyíláshoz csatlakoztatható.

- **Ábra28:** 1. Reteszelő funkció tartozék
2. Reteszelő funkció szívónyílás
3. Reteszelő funkció nélküli szívónyílás

A csúsztatható csőtoldat hosszának beállítása

Opcionális kiegészítők

A csúsztatható csőtoldat rövidebb és hosszabb hosszúságokban rakható össze. Lehetővé teszi a nehezen elérhető helyek takarítását és kényelmes elhelyezkedést biztosít.

A csúsztatógomb nyomva tartása mellett húzza be és ki a csúsztatható vet a csőtoldat hosszának változtatásához.

Engedje el a csúsztatógombot a csúsztatható cső kívánt pozíciójában történő rögzítéséhez.

- **Ábra29:** 1. Csúsztatható cső 2. Csúsztatógomb

KARBANTARTÁS

⚠ VIGYÁZAT: Ellenőrzés vagy karbantartás előtt feltétlenül kapcsolja ki a készüléket, és vegye ki belőle az akkumulátorokat.

MEGJEGYZÉS: Soha ne használjon gázolajt, benzint, hígítót, alkoholt vagy hasonló anyagokat. Ezek elszíneződést, alakvesztést vagy repedést okozhatnak.

A termék BIZTONSÁGÁNAK és MEGBÍZHATÓSÁGÁNAK fenntartása érdekében a javításokat és más karbantartásokat vagy beállításokat a Makita hivatalos vagy gyári szervizközpontjában kell elvégezni, mindig csak Makita cserealkatrészeket használva.

A tartozékok tárolása

A nem használt kiegészítők és tartozékok, úgy mint például a porkifúvók és kefék, felakaszthatók és tárolhatók a multiakasztón a porszívó hátulján.

- **Ábra30:** 1. Multiakasztó 2. Nem használt kiegészítők és tartozékok

A csöveket (opcionális rögzítővel ellátva) a csőtartóban tárolhatja, amikor rövidebb ideig nem használja őket.

- **Ábra31:** 1. Rögzítő (választható tartozék)
2. Csőtartó

A gégecsövet fel lehet tekercselni és a porszívó háza vagy fogantyúja körül nagy hurkokban lehet tárolni. A két végét kösse össze nagy hurkokat formálva és akassza a hurkokat a felemelt fogantyúra. Alternatív megoldásként, hagyhatja az alsó végét a gégecső bemenetére szerelve és a hurkokat a multiakasztóra akaszthatja a szabad végüknél felköve.

- **Ábra32**

- **Ábra33**

A szövetszűrő tisztítása

Tisztítsa ki a szövetszűrőt állandó időközönként, hiszen az eltömődött szövetszűrők gyenge szívóteljesítményt okozhatnak.

Törölje és rázza ki a port a szövetszűrőből kézzel alkalmanként.

- **Ábra34:** 1. Szövetszűrő

A porszűrő (HEPA) és az előszűrő tisztítása

Opcionális kiegészítők

Tisztítsa ki a porszűrőt, az előszűrőt és a nedvesítőbetétet állandó időközönként, hiszen az eltömődött szűrők és nedvesítőbetétek gyenge szívóteljesítményt okozhatnak.

Rendszeresen törölje és rázza ki a port a szűrőkből és a nedvesítőbetétekből kézzel.

A porszűrőt időnként mossa meg vízben, majd öblítse le és szárítsa meg alaposan egy árnyékos helyen, mielőtt újra használná. Soha ne mossa mosógépben a szűrőket.

- **Ábra35**

MEGJEGYZÉS: Ne dörzsölje vagy karcolja a porszűrőt, az előszűrőt és a nedvesítőbetétet kemény tárgyakkal, például kefével vagy durva ecsettel.

MEGJEGYZÉS: A szűrők az idő múlásával elhasználódnak. Javasoljuk, hogy legyen belőlük tartaléka.

OPCIONÁLIS KIEGÉSZÍTŐK

⚠ VIGYÁZAT: Ezen kiegészítőket és tartozékokat javasoljuk a kézikönyvben ismertetett Makita szerszámhoz. Bármilyen más kiegészítő vagy tartozék használata a személyi sérülés kockázatával jár. A kiegészítőt vagy tartozékot csak rendeltetészerűen használja.

Ha bármilyen segítségre vagy további információkra van szüksége ezekkel a tartozékokkal kapcsolatban, keresse fel a helyi Makita Szervizközpontot.

- Gégecső
- Elülső karmantyúk (22, 24, 38)
- Egyenes cső
- Csőtoldat
- Saroktisztító fej
- Körkefe
- Porszűrő, HEPA (száraz porhoz)
- Nedvesítőbetét
- Előszűrő
- Vízsűrő
- Szövetszűrő
- Csőtoldat
- Hajlított cső
- Polietilén zsák
- Papírzsák
- MAKPAC-adapter
- Eredeti Makita akkumulátor és töltő

MEGJEGYZÉS: A listán felsorolt néhány kiegészítő megtalálható az eszköz csomagolásában standard kiegészítőként. Ezek országonként eltérőek lehetnek.

VAROVANIE

- Toto zariadenie nie je určené na používanie osobami, vrátane detí, so zníženými fyzickými, zmyslovými alebo duševnými schopnosťami ani osobami s nedostatočnými skúsenosťami a znalosťami.
- V prípade detí treba dohliadať na to, aby sa s vysávačom nehrali.
- Informácie o type akumulátora nájdete v kapitole „TECHNICKÉ ŠPECIFIKÁCIE“.
- Spôsob demontáže alebo inštalácie akumulátora nájdete v časti „Inštalácia alebo demontáž akumulátora“.
- Akumulátor pri likvidácii odstráňte z nástroja a zlikvidujte ho na bezpečnom mieste. Akumulátor zlikvidujte v súlade s miestnymi nariadeniami.
- Ak sa nástroj dlhší čas nepoužíva, odstráňte z neho akumulátor.
- Akumulátor neskratujte.
- Podrobné informácie týkajúce sa bezpečnostných opatrení počas údržby používateľom nájdete v kapitole „ÚDRŽBA“.

TECHNICKÉ ŠPECIFIKÁCIE

Model:	VC001GL	VC003GL
Štandardný typ filtra	Textilný filter (na mokrý i suchý prach)	
Maximálny objem vzduchu (s hadicou BL4040, ø32 mm x 1,7 m)	2,7 m ³ /min	
Podtlak (s hadicou BL4040, ø32 mm x 1,7 m)	23 kPa	
Získateľný objem	Prach	15 l
	Voda	12 l
Rozmery (D x Š x V)	366 mm x 334 mm x 425 mm	366 mm x 334 mm x 475 mm
Menovité napätie	Jednosmerný prúd 36 V – 40 V max.	
Čistá hmotnosť	8,1 – 11,2 kg	8,4 – 11,5 kg
Trieda ochrany	IPX4	

- Vzhľadom k neustálemu výskumu a vývoju podliehajú technické údaje uvedené v tomto dokumente zmenám bez upozornenia.
- Technické špecifikácie a typ akumulátora sa môžu v rámci jednotlivých krajín líšiť.
- Hmotnosť nezahŕňa žiadne ďalšie príslušenstvo s výnimkou akumulátora. V tabuľke sa uvádzajú kombinácie najnižšej a najvyššej hmotnosti príslušenstva a akumulátora.
- Na mokrý prach je potrebný plavák a vodný alebo textilný filter.

Použiteľné akumulátory a nabíjačky

Akumulátor	BL4020 / BL4025 / BL4040* / BL4050F* / BL4080F* *: Odporúčaný akumulátor
Nabíjačka	DC40RA / DC40RB / DC40RC

- Niektoré vyššie uvedené akumulátory a nabíjačky môžu byť nedostupné v závislosti od miesta vášho bydliska.

VAROVANIE: Používajte iba akumulátory a nabíjačky zo zoznamu uvedeného vyššie. Používanie akýchkoľvek iných akumulátorov a nabíjačiek môže spôsobiť zranenie a/alebo požiar.

Symbyoly

Nižšie sú uvedené symbyoly, ktoré sa môžu používať pri tomto nástroji. Je dôležité, aby ste poznali ich význam, skôr než začnete pracovať.



Prečítajte si návod na obsluhu.



Práci venujte veľkú pozornosť a dávajte pozor.



Varovanie! Vysávač môže obsahovať nebezpečný prach.



Na vysávač nikdy nestúpajte.



Trieda prachu L (ľahký). Vysávače dokážu vysávať prach triedy L. Dodržiavajte nariadenia ohľadne ochrany zdravia a bezpečnosti pri práci, ktoré sú vo vašej krajine v platnosti.



Len pre štáty EÚ

Z dôvodu prítomnosti nebezpečných komponentov v zariadení môžu mať odpad z elektrických a elektronických zariadení, použité akumulátory a batérie negatívny vplyv na životné prostredie a ľudské zdravie.

Elektrické a elektronické zariadenia alebo akumulátory nelikvidujte spolu s komunálnym odpadom!

V súlade s európskou smernicou o odpade z elektrických a elektronických zariadení, o akumulátoroch a batériách a odpade z akumulátorov a batérií, ako aj v súlade s prispôbenými vnútroštátnymi právnymi predpismi by sa odpad z elektrických a elektronických zariadení a použité akumulátory a batérie mali uskladňovať osobitne a odovzdávať na samostatnom zbernom mieste pre komunálny odpad, ktoré sa prevádzkuje v súlade s predpismi na ochranu životného prostredia.

Označuje to symbol preškrtnutej smetnej nádoby na zariadení.

Určené použitie

Zariadenie je určené na vysávanie mokrého aj suchého prachu. Zariadenie je určené na komerčné použitie, napríklad v hoteloch, školách, nemocniciach, továrňach, predajniach, kanceláriách a prenájomných nehnuteľnostiach.

Hluk

Typická hladina akustického tlaku záťaže A určená podľa štandardu EN60335-2-69:

Model VC001GL

Úroveň akustického tlaku (L_{pA}): 70 dB (A) alebo menej
Odchýlka (K): 2,5 dB (A)

Model VC003GL

Úroveň akustického tlaku (L_{pA}): 70 dB (A) alebo menej
Odchýlka (K): 2,5 dB (A)

Úroveň hluku pri práci môže prekročiť 80 dB (A).

POZNÁMKA: Deklarovaná hodnota emisií hluku bola meraná podľa štandardnej skúšobnej metódy a môže sa použiť na porovnanie jedného nástroja s druhým.

POZNÁMKA: Deklarovaná hodnota emisií hluku sa môže použiť aj na predbežné posúdenie vystavenia ich účinkom.

VAROVANIE: Používajte ochranu sluchu.

VAROVANIE: Emisie hluku sa môžu počas skutočného používania elektrického nástroja odlišovať od deklarovanej hodnoty, a to v závislosti od spôsobov používania náradia a najmä typu spracúvaného obrobku.

VAROVANIE: Nezabudnite označiť bezpečnostné opatrenia s cieľom chrániť obsluhu, a to tie, ktoré sa zakladajú na odhade vystavenia účinkom v rámci reálnych podmienok používania (berúc do úvahy všetky súčasti prevádzkového cyklu, ako sú doby, kedy je nástroj vypnutý a kedy beží bez zaťaženia, ako dodatok k dobe zapnutia).

Vibrácie

Celková hodnota vibrácií (trojosový vektorový súčet) určená podľa štandardu EN60335-2-69:

Model VC001GL

Emisie vibrácií ($a_{h,M}$): 2,5 m/s² alebo menej
Odchýlka (K): 1,5 m/s²

Model VC003GL

Emisie vibrácií ($a_{h,M}$): 2,5 m/s² alebo menej
Odchýlka (K): 1,5 m/s²

POZNÁMKA: Deklarovaná celková hodnota vibrácií bola meraná podľa štandardnej skúšobnej metódy a môže sa použiť na porovnanie jedného nástroja s druhým.

POZNÁMKA: Deklarovaná celková hodnota vibrácií sa môže použiť aj na predbežné posúdenie vystavenia ich účinkom.

VAROVANIE: Emisie vibrácií sa môžu počas skutočného používania elektrického nástroja odlišovať od deklarovanej hodnoty, a to v závislosti od spôsobov používania náradia a najmä typu spracúvaného obrobku.

VAROVANIE: Nezabudnite označiť bezpečnostné opatrenia s cieľom chrániť obsluhu, a to tie, ktoré sa zakladajú na odhade vystavenia účinkom v rámci reálnych podmienok používania (berúc do úvahy všetky súčasti prevádzkového cyklu, ako sú doby, kedy je nástroj vypnutý a kedy beží bez zaťaženia, ako dodatok k dobe zapnutia).

Vyhlasenie o zhode ES

Len pre krajinu Európy

Vyhlasenie o zhode ES sa nachádza v prílohe A tohto návodu na obsluhu.

BEZPEČNOSTNÉ VAROVANIA

Bezpečnostné varovania pre akumulátorový vysávač

VAROVANIE: JE DÔLEŽITÉ, aby ste si PRED POUŽITÍM DOKLADNE PREČÍTALI všetky varovania a pokyny. Nedodržovanie varovaní a pokynov môže mať za následok zasiahnutie elektrickým prúdom, požiar alebo vážne zranenie.

1. Pred použitím zabezpečte, aby tento vysávač používali osoby primeraným spôsobom zaškolené na používanie tohto vysávača.
2. Pred použitím je potrebné poskytnúť používateľom informácie, pokyny a školenie o používaní zariadenia a látkach, ktoré sa budú používať, vrátane bezpečného spôsobu odstraňovania a likvidácie zhromažďovaného materiálu.
3. Ak z nástroja vychádza pena/tekutina, okamžite ho vypnite.

4. Zariadenie na obmedzenie hladiny vody pravidelne čistite a kontrolujte príznaky jeho poškodenia.
5. Pred použitím vždy skontrolujte, či sú filtre nainštalované správne. Vysávač nepoužívajte bez vložených filtrov. Poškodený filter okamžite vymeňte. Keďže sú filtre spotrebný materiál, odporúčame mať poruke aj niekoľko náhradných filtrov.
6. **ZABRÁŇTE NÁHODNÉMU SPUSTENIU.** Pri inštalácii akumulátora zariadenie vždy **VYPNITE.**
7. Nepokúšajte sa vysávať horľavé materiály, iskry, horiace cigarety, horúci popol, horúce kovy, horiace píly, ostré materiály, ako sú žiletky, ihly, rozbité sklo a podobné materiály.
8. **VYSÁVAČ NIKDY NEPOUŽÍVAJTE V BLÍZKOSTI BENZÍNU, PLYNU, NÁTEROV, LEPIDIEL ANI INÝCH VEĽMI VÝBUŠNÝCH LÁTKO.** V prepínači sa pri zapnutí alebo vypnutí vytvárajú iskry. Iskry sa počas prevádzky vytvárajú aj v komutátore motora. Dôsledkom môže byť nebezpečná explózia.
9. Nikdy nevysávajte toxické, karcinogénne, horľavé ani iné nebezpečné materiály, ako je azbest, arzén, bariüm, berýlium, olovo, pesticídy a iné zdravie rizikové materiály.
10. Vysávač vždy kladte na vodorovný a plochý povrch, aby nedošlo k jeho pádu ani nechcenému pohybu.
11. Vysávač nikdy počas dažďa nepoužívajte v exteriéri.
12. Ak sa nachádzate vo Fínsku, zariadenie nepoužívajte v exteriéri pri nízkych teplotách.
13. Vysávač nepoužívajte v blízkosti tepelných zdrojov (sporáky a pod.).
14. Ak je vzduch vyfukovaný späť do miestnosti, je v tejto miestnosti nutné zaistiť dostatočnú výmenu vzduchu. V prípade potreby si pozrite miestne predpisy.
15. Neblokujte nasávacie/výfukové/chladiace otvory. Tieto otvory zabezpečujú chladenie motora. Ich zablokovaníu je potrebné zabrániť, pretože motor môže v dôsledku nedostatočnej ventilácie zhorieť.
16. Udržujte vždy správny postoj a rovnováhu.
17. Hadicu nikdy neprelamujte, neťahajte za ňu ani na ňu nestúpajte.
18. Ak počas prevádzky spozorujete nedostatočný výkon alebo akýkoľvek neštandardný stav, vysávač okamžite vypnite.
19. **VYBERTE AKUMULÁTOR,** ak vysávač nepoužívate, pred vykonávaním servisu a počas výmeny príslušenstva.
20. Ihneď po každom použití vysávač vyčistite a vykonajte jeho servis, aby ste zabezpečili jeho vynikajúci prevádzkový stav.
21. **ÚDRŽBU VYSÁVAČA VYKONÁVAJTE DÔSLEDNE.** Vysávač čistite, aby sa zaistil lepší a bezpečnejší výkon. Príslušenstvo vymieňajte podľa pokynov. Rukoväť udržiavajte suché, čisté, bez znečistenia olejom a mazivom.
22. **KONTROLUJTE PRÍPADNÉ POŠKODENIE SÚČASTÍ.** Pred ďalším používaním vysávača je potrebné dôkladne skontrolovať, či nie je poškodený ochranný kryt alebo iné súčasti, aby sa určilo, či budú fungovať správne a či budú vykonávať určenú funkciu. Skontrolujte či sú pohyblivé diely zarovnané, či nie sú uviaznuté, či niektoré diely nie sú zlomené, zle namontované a či sú v takom stave, ktorý nebude mať negatívny vplyv na prevádzku. Ochranný kryt alebo iné poškodené diely treba riadne nechať opraviť alebo vymeniť v autorizovanom servisnom stredisku, pokiaľ nie je v tomto návode uvedená inak. Pokazené prepínače je potrebné nechať vymeniť v autorizovanom servisnom stredisku. Vysávač nepoužívajte, ak prepínač nefunguje.
23. Ak ide servis vykonávať používateľ, rozobratie, vyčistenie a údržbu zariadenia je potrebné vykonať v prakticky uskutočniteľnom rozsahu tak, aby nevzniklo riziko pre osoby vykonávajúce údržbu ani iné osoby.
24. Zariadenie musí technicky skontrolovať výrobca alebo poučená osoba minimálne raz ročne, pričom táto kontrola má pozostávať napríklad z kontroly poškodenia filtrov, kontroly vzduchotesnosti zariadenia a kontroly správneho fungovania ovládacieho mechanizmu.
25. Pri vykonávaní servisu alebo opravy sa všetky kontaminované položky, ktoré sa nedajú uspokojivo vyčistiť, musia zlikvidovať, a to v nepriepustných vreciach v súlade s platnými právnym predpismi na likvidáciu takého odpadu.
26. **NÁHRADNÉ DIEĽY.** Pri vykonávaní servisu používajte výlučne rovnaké náhradné diely.
27. **VYSÁVAČ, KTORÝ SA NEPOUŽÍVA, USKLADNITE.** Ak vysávač nepoužívate, uskladnite ho v interiéri.
28. Pred uskladnením je potrebné vysušiť mokré filtre a vnútornú časť nádoby na tekutinu.
29. S vysávačom zaobchádzajte opatrne. Násilné zaobchádzanie môže spôsobiť rozbitie vysávača aj s najodolnejšou konštrukciou.
30. Vonkajší povrch nečistite benzínom, rozpúšťadlom ani inými chemikáliami na čistenie. Dôsledkom môže byť vznik trhlín alebo zmena farby.
31. Vysávač nepoužívajte v uzatvorených miestnostiach, kde sa vyskytujú horľavé, výbušné alebo toxické výpary z olejových náterov, riedidiel na farby, benzínu, látok na likvidáciu moli a pod., ani na miestach s výskytom horľavého prachu.
32. Tento ani žiadny iný nástroj nepoužívajte, pokiaľ ste pod vplyvom drog alebo alkoholu.
33. Základným pravidlom bezpečnosti je používanie ochranných okuliarov a ochranných okuliarov s bočnými štítmami.
34. V prípade prašných pracovných podmienok používajte protiprachovú masku.
35. Toto zariadenie nie je určené na používanie osobami, vrátane detí, so zníženými fyzickými, zmyslovými alebo duševnými schopnosťami ani osobami s nedostatočnými skúsenosťami a znalosťami.
36. V prípade detí treba dohliadať na to, aby sa s vysávačom nehrali.
37. Nikdy nemanipulujte s akumulátormi ani s vysávačom, keď máte mokré ruky.

38. **Maximálnu pozornosť** venujte vysávaniu na schodoch.
 39. **Vysávač nepoužívajte ako stoličku ani ako pracovný stôl.** Zariadenie môže spadnúť a môže spôsobiť zranenie.
- Používanie a starostlivosť o akumulátorový nástroj**
1. **Nabíjajte iba nabíjačkou určenou výrobcom.** Nabíjačka vhodná pre jeden typ akumulátora môže pri inom type akumulátora spôsobiť riziko vzniku požiaru.
 2. **Elektrické nástroje používajte iba s príslušným typom akumulátora.** Použitie iného typu akumulátora môže spôsobiť riziko vzniku požiaru a úrazu.
 3. **Keď sa akumulátor práve nepoužíva, skladujte ho mimo iných kovových predmetov ako sponky, mince, kľúče, klince, skrutyky alebo iné malé kovové predmety, ktoré by mohli kontakty akumulátora skratovať.** Skratovanie kontaktov akumulátora môže spôsobiť popálenie alebo požiar.
 4. **Pri nevhodných podmienkach môže z akumulátora vytekať tekutina. Nedotýkajte sa jej. Pri náhodnom kontakte ju opláchnite vodou. Ak kvapalina zasiahne oči, vyhľadajte lekársku pomoc.** Kvapalina, ktorá vytekla z akumulátora, môže spôsobiť podráždenie alebo popálenie.
 5. **Nepoužívajte akumulátor alebo nástroj, ktorý je poškodený alebo upravovaný.** Fungovanie poškodených alebo upravovaných akumulátorov ťažko predvídať a môžu zapríčiniť požiar, výbuch alebo zranenie.
 6. **Akumulátor ani nástroj nevystavujte ohňu či nadmernej teplote.** Vystavenie ohňu alebo teploty nad 130 °C môže spôsobiť výbuch.
 7. **Dodržiavajte všetky pokyny pre nabíjanie a akumulátor ani nástroj nenabíjajte v prípade prekročenia teplotného rozsahu uvedeného v návode.** Nesprávne nabíjanie alebo nabíjanie pri teplotách mimo uvedeného rozsahu môže spôsobiť poškodenie akumulátora a zvýšiť riziko požiaru.

5. **Akumulátor neskratujte:**
 - (1) **Nedotýkajte sa konektorov žiadnym vodičným materiálom.**
 - (2) **Neskladujte akumulátor v obale s inými kovovými predmetmi, napríklad klíncami, mincami a pod.**
 - (3) **Akumulátor nevystavujte vode ani dažďu. Skrat akumulátora môže spôsobiť veľký tok prúdu, prehriate, možné popálenie či dokonca poruchu.**
6. **Nástroj ani akumulátor neskladujte a nepoužívajte na miestach s teplotou presahujúcou 50 °C (122 °F).**
7. **Akumulátor nespauľujte, ani keď je vážne poškodený alebo úplne opotrebovaný. Akumulátor môže v ohni explodovať.**
8. **Akumulátor neprepichujte, neprezevajte, nedrvte, neháďte ani ho nenarúšajte údermi o tvrdé predmety.** Môže to viesť k požiaru, nadmernému teplu alebo výbuchu.
9. **Nepoužívajte poškodený akumulátor.**
10. **Lítium-iónové akumulátory, ktoré sú súčasťou náradia, podliehajú požiadavkám legislatívy o nebezpečnom tovare.**
V prípade obchodnej prepravy, napr. dodanie tretími stranami či špeditériami, sa musia dodržiavať špeciálne požiadavky na zabalenie a označenie. Pred prípravou položky na odoslanie sa vyžaduje konzultácia s odborníkom na nebezpečný materiál. Taktiež treba dodržiavať potenciálne podrobnejšie predpisy príslušnej krajiny. Prelepte alebo zakryte otvorené kontakty a zabaľte akumulátor tak, aby sa v balíku nemohol voľne pohybovať.
11. **Akumulátor pri likvidácii odstráňte z nástroja a zlikvidujte ho na bezpečnom mieste. Akumulátor zlikvidujte v súlade s miestnymi nariadeniami.**
12. **Akumulátory používajte iba s výrobkami uvedenej spoločnosťou Makita.** Inštalácia akumulátorov do nevhodujúcich výrobkov môže spôsobiť požiar, nadmerné teplo, výbuch alebo únik elektrolytov.
13. **Ak sa nástroj dlhší čas nepoužíva, odstráňte z neho akumulátor.**
14. **Akumulátor sa môže počas používania a po použití zohriať, čo môže spôsobiť popálenie alebo popálenie aj pri relatívne nízkej teplote. Pri manipulácii s horúcimi akumulátormi dávajte pozor.**
15. **Nedotýkajte sa svorky nástroja ihneď po použití, keďže sa mohla zohriať dostatočne na to, aby spôsobila popálenie.**
16. **Zabráňte zachytávaniu triesok, prachu alebo zemi na svorkách, otvoroch a drážkach akumulátora. Môže to spôsobiť zohriatie, požiar, výbuch a poruchu nástroja alebo akumulátora, v dôsledku čoho môže dôjsť k popáleninám alebo zraneniu osôb.**
17. **Pokiaľ nástroj nepodporuje používanie v blízkosti vysokonapäťových elektrických vedení, nepoužívajte akumulátor blízko vysokonapäťových elektrických vedení.** Môže to viesť k nesprávnemu fungovaniu alebo poškodeniu nástroja alebo akumulátora.
18. **Akumulátor držte mimo dosahu detí.**

TIETO POKYNY USCHOVAJTE.

VAROVANIE: NIKDY nepripustíte, aby sebavedomie a dobrá znalosť výrobku (získané opakovaným používaním) nahradili presné dodržiavanie bezpečnostných pravidiel pre náradie. **NESPRÁVNE POUŽÍVANIE** alebo nedodržiavanie bezpečnostných zásad uvedených v tomto návode môže viesť k vážnemu zraneniu.

Dôležité bezpečnostné a prevádzkové pokyny pre akumulátor

1. **Pred použitím akumulátora si prečítajte všetky pokyny a výstražné označenia na (1) nabíjačke akumulátorov, (2) akumulátore a (3) produkte používajúcom akumulátor.**
2. **Akumulátor nerozoberajte ani neupravujte.** Môže to viesť k požiaru, nadmernému teplu alebo výbuchu.
3. **Ak sa doba prevádzky príliš skráti, ihneď prerušte prácu.** Môže nastať riziko prehriatia, možných popálení či dokonca explózie.
4. **V prípade zasiahnutia očí elektrolytom ich vypláchnite čistou vodou a okamžite vyhľadajte lekársku pomoc.** Môže dôjsť k strate zraku.

TIETO POKYNY USCHOVAJTE.

⚠️ POZOR: Používajte len originálne akumulátory od spoločnosti Makita. Používanie batérií, ktoré nie sú od spoločnosti Makita, alebo upravených batérií môže spôsobiť výbuch batérie a následný požiar, zranenie osôb alebo poškodeniu majetku. Následkom bude aj zrušenie záruky od spoločnosti Makita na nástroj a nabíjačku od spoločnosti Makita.

Rady na udržanie maximálnej životnosti akumulátora

1. Akumulátor nabíjajte ešte predtým, ako sa úplne vybije. Vždy prerušte prácu s nástrojom a nabíjajte akumulátor, keď spozorujete nižší výkon nástroja.
2. Nikdy nenabíjajte plne nabitý akumulátor. Prebíjanie skracuje životnosť akumulátora.
3. Akumulátor nabíjajte pri izbovej teplote 10 °C – 40 °C (50 °F – 104 °F). Pred nabíjaním nechajte horúci akumulátor vychladnúť.
4. Keď akumulátor nepoužívate, vyberte ho z nástroja alebo nabíjačky.
5. Litium-iónový akumulátor nabíjajte, ak ste ho nepoužívali dlhšie ako šesť mesiacov.

POPIS SÚČASTÍ

- **Obr.1:** 1. Hlavná jednotka 2. Plavák 3. Plaváková západka 4. Textilný filter 5. Nádržka

OPIS FUNKCIÍ

⚠️ POZOR: Pred úpravou alebo kontrolou funkčnosti zariadenia vždy skontrolujte, či je zariadenie vypnuté a akumulátory vybrané.

Inštalácia alebo demontáž akumulátora

⚠️ POZOR: Pred vložением alebo vybratím akumulátorov zariadenie vždy vypnite.

⚠️ POZOR: Pri inštalovaní alebo demontáži akumulátorov pevne uchopíte vysávač a akumulátory. Ak tak neurobíte, môžu sa vám vyšmyknúť z rúk, výsledkom čoho bude poškodenie vysávača a akumulátorov, prípadne zranenie.

⚠️ POZOR: Pri otváraní a zatváraní krytu akumulátora dávajte pozor, aby ste si nepichli do prstov. V opačnom prípade môže dôjsť k zraneniu.

Vysávač má dve zásuvky na akumulátory. Pri paralelnom použití dvoch identických akumulátorov môžete predĺžiť čas prevádzky pri jednom alebo viacerých použitíach bez potreby prestávky na ich nabitie. Vysávač funguje aj s jedným akumulátorom, takže sa podľa potreby môžete rozhodnúť, či chcete použiť dva akumulátory alebo iba jeden.

- **Obr.2:** 1. Ľavá zásuvka na akumulátor 2. Pravá zásuvka na akumulátor

Použitie s dvoma akumulátormi

Nepretržité používanie s dvoma akumulátormi umožňuje dlhší čas prevádzky a účinnejšie vysávanie. Keď sa prvý akumulátor vybije, vysávač automaticky zmení zdroj napájania a bude pokračovať v prevádzke s druhým akumulátorom.

POZNÁMKA: Ľavá zásuvka na akumulátor (pri pohľade na prednú časť vysávača) má prioritu nad pravou zásuvkou na akumulátor. Pravá zásuvka na akumulátor bude ako zdroj napájania rozpoznaná iba v prípade, keď nie je vložený žiadny akumulátor v ľavej zásuvke, alebo keď sa akumulátor v ľavej zásuvke vybije.

POZNÁMKA: Keď vysávač prepne zdroj napájania z ľavej zásuvky na akumulátor na pravú zásuvku, akumulátor v ľavej zásuvke môžete vybrať a dať nabíjať bez toho, aby sa prerušila prevádzka. Ak chcete po vložení nabitého akumulátora vrátiť prioritu späť na ľavú zásuvku na akumulátor, reštartujte vysávač.

Použitie s jedným akumulátorom

Ako zdroj napájania je potrebný iba jeden akumulátor v ľavej alebo pravej zásuvke na akumulátor. Vysávač na základe prevádzkových podmienok určí, ktorá zásuvka na akumulátor je k dispozícii.

Vloženie a vybratie

Pri vkladaní akumulátorov najprv uvoľnite zámok a otvorte kryt akumulátora. Potom vložte akumulátory.

- **Obr.3:** 1. Zámok 2. Kryt akumulátora

Jazýčky akumulátorov zarovnajete s drážkami v kryte a zasúňte ich na miesto. Zatlačte ich úplne, kým zakliknutím nezapadnú na miesto.

Potom zamknite kryt akumulátora.

- **Obr.4:** 1. Akumulátor 2. Tlačidlo

Ak chcete vybrať akumulátory, vysuňte ich z krytov, pričom držte stlačené tlačidlá na prednej strane akumulátorov.

⚠️ POZOR: Akumulátor vždy vložte úplne. V opačnom prípade môže náhodne vypadnúť zo zariadenia a ublížiť vám alebo osobám v okolí.

⚠️ POZOR: Pri inštalovaní akumulátora nepoužívajte silu. Ak sa akumulátor nedá zasunúť ľahko, nevkladáte ho správne.

POZNÁMKA: Keď vysávač prepne zdroj napájania z prvého akumulátora na druhý akumulátor, môže to na chvíľu prerušiť prevádzku a spôsobiť malú stratu sacieho výkonu. Upozorňujeme, že nejde o poruchu, vysávač po prerušení okamžite obnoví prevádzku.

Indikácia zvyšnej kapacity akumulátora

Stlačením tlačidla kontroly na akumulátore zobrazíte zostávajúcu kapacitu akumulátora. Indikátory sa na niekoľko sekúnd rozsvietia.

- **Obr.5:** 1. Indikátory 2. Tlačidlo kontroly

Indikátory			Zostávajúca kapacita
Svieti	Nesvieti	Bliká	
			75 % až 100 %
			50 % až 75 %
			25 % až 50 %
			0 % až 25 %
			Akumulátor nabíe.
			Akumulátor je možno chybný.

POZNÁMKA: V závislosti od podmienok používania a v závislosti od okolitej teploty sa môže zobrazenie mierne odlišovať od skutočnej kapacity.

POZNÁMKA: Prvý (úplne vľavo) svetelný indikátor bude blikáť, keď systém ochrany akumulátora funguje.

Indikátory akumulátorov na ovládacom paneli

Zostávajúcu kapacitu akumulátora si môžete kedykoľvek pozrieť na ovládacom paneli. Po stlačení tlačidla kontroly sa na ľavom a pravom indikátore zobrazí úroveň nabitia akumulátora.

► **Obr.6:** 1. Indikátory akumulátorov 2. Tlačidlo kontroly

► **Obr.7**

Stav indikátora akumulátora			Zostávajúca kapacita akumulátora
Svieti	Nesvieti	Bliká	
			50 % až 100 %
			20 % až 50 %
			0 % až 20 %
			Akumulátor nabíe
			Akumulátor nie je vložený

POZNÁMKA: Indikátory akumulátorov sa aktivujú aj vtedy, keď vysávač spustí prevádzku alebo prepne zdroj napájania z jedného akumulátora na druhý.

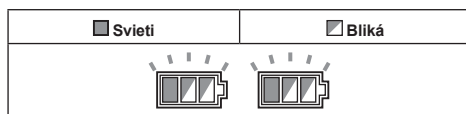
Systém na ochranu zariadenia/akumulátora

Zariadenie je vybavené systémom na ochranu zariadenia/akumulátora. Tento systém automaticky vypne napájanie motora s cieľom predĺžiť životnosť zariadenia a akumulátora. Zariadenie sa počas prevádzky automaticky zastaví v prípade, ak sa zariadenie alebo akumulátor dostanú do jedného z nasledovných stavov:

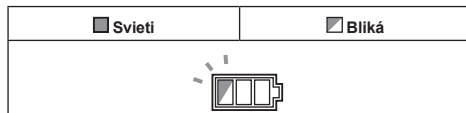
Ochrana proti preťaženiu

Keď sa zariadenie/akumulátor používa spôsobom, ktorý spôsobuje odber neštandardne vysokého prúdu, zariadenie sa automaticky vypne. V tejto situácii vypnite zariadenie a ukončíte používanie, ktoré spôsobuje jeho preťažovanie. Potom zariadenie zapnutím znova spustíte.

Ochrana pred prehrievaním



Keď je zariadenie prehriate, automaticky sa zastaví a rozbliká sa ľavý aj pravý indikátor akumulátora. V tejto situácii nechajte zariadenie pred jeho opätovným zapnutím vychladnúť.



Keď je akumulátor prehriaty, zariadenie sa automaticky zastaví a začne blikáť indikátor prehriateho akumulátora. V tejto situácii nechajte akumulátor pred opätovným zapnutím zariadenia vychladnúť.

Ochrana pred nadmerným vybitím

Keď sa kapacita akumulátora zníži, zariadenie sa automaticky zastaví. Ak zariadenie nefunguje ani po použití vypínača, vyberte akumulátory zo zariadenia a nabíe ich.

Ochrana pred ďalšími nebezpečenstvami

Systém ochrany bol navrhnutý tak, aby chránil aj pred ďalšími nebezpečenstvami, ktoré by mohli poškodiť zariadenie, a zaisťuje automatické zastavenie zariadenia. Ak sa zariadenie dočasne zastavilo alebo prerušilo prevádzku, problém vyriešte vykonaním nasledujúcich krokov.

1. Reštartujte zariadenie tak, že ho vypnete a potom znova zapnete.
2. Nabíe akumulátory alebo ich vymeňte za nabité akumulátory.
3. Nechajte zariadenie aj akumulátory vychladnúť.

Ak po obnovení systému ochrany nedošlo k zlepšeniu stavu, obráťte sa na miestne servisné stredisko spoločnosti Makita.

Zapínanie

Zapnutie vysávača

1. Prepnutím prepínača pohotovostného režimu do polohy „I“ (Zap.) zapnete vysávač do pohotovostného režimu.
2. Stlačte hlavný vypínač. Opätovným stlačením hlavného vypínača prepnete vysávač späť do pohotovostného režimu.

Vypnutie vysávača

Vykonajte jeden z nasledujúcich krokov.

- Stlačením hlavného vypínača prepnete vysávač späť do pohotovostného režimu a potom prepínač pohotovostného režimu prepnete do polohy „O“ (Vyp.).
- Prepnete prepínač pohotovostného režimu do polohy „O“ (Vyp.).

Nastavenie sacieho výkonu

Sací výkon je možné nastaviť podľa pracovných požiadaviek.

- Sací výkon znížite otočením gombíka na nastavenie sacieho výkonu doľava.
- Sací výkon zvýšite otočením gombíka na nastavenie sacieho výkonu doprava.

- **Obr.8:** 1. Prepínač pohotovostného režimu
2. Hlavný vypínač 3. Gombík na nastavenie sacieho výkonu

Automatické zastavenie vysávania počas vysávania namokro

VAROVANIE: Pokiaľ je plavák v činnosti, vysávač nepoužívajte počas dlhšej doby. Dlhodobé používanie vysávača pokiaľ je v činnosti plavák môže spôsobiť prehrievanie s dôsledkom deformovania vysávača.

VAROVANIE: Nevysávajte penu ani mydlové tekutiny. Mohlo by to spôsobiť unikanie peny cez výstup vzduchu skôr, ako sa aktivuje plavák. Pokiaľ budete pokračovať v používaní v takomto stave, môže dôjsť k úrazu elektrickým prúdom a poškodeniu vysávača.

Funkcia automatického zastavenia vysávania funguje iba pri používaní plaváka a plavákovvej západky.

Vysávač je vybavený plavákovým mechanizmom, ktorý zabraňuje prenikaniu vody do motora pri vysatí väčšieho než stanoveného objemu vody. Po naplnení nádoby, kedy už vysávač vodu nevyšáva, vysávač vypnete a nádobu vyprázdните.

Zablokovanie a odblokovanie koliesok

Zadné kolieska je možné zablokovať pomocou zarážok, aby sa vysávač nepohyboval.

Koliesko zablokujete tak, že rukou posuniete páčku zarážky nadol, posunutím páčky nahor ho odblokujete.

- **Obr.9:** 1. Koliesko 2. Páčka zarážky 3. Poloha FREE (UVOLNIŤ) 4. Poloha LOCK (ZABLOKOVAŤ)

POZNÁMKA: Pri presúvaní vysávača koliesko odblokujte. Posúvanie vysávača so zablokovaným kolieskom môže mať za následok poškodenie kolieska.

Rukoväť na prenášanie

POZOR: Zariadenie zdvíhajte a prenášajte s náležitou starostlivosťou. V opačnom prípade môže dôjsť k zraneniu osôb alebo poškodeniu zariadenia.

Vysávač prenášajte za rukoväť na hlavnej jednotke. Pokiaľ sa rukoväť nepoužíva, môžete ju zasunúť do hlavnej jednotky.

- **Obr.10**

ZOSTAVENIE

POZOR: Pred vykonávaním akejkoľvek práce na zariadení vždy skontrolujte, či je zariadenie vypnuté a akumulátory vybrať.

POZOR: Pri zostave a údržbe si vždy nasadte protiprachovú masku.

Inštalácia prachového filtra (HEPA) a predfiltra (na suchý prach)

Voliteľné príslušenstvo

POZOR: Pokiaľ používate prachový filter, nikdy nevysávajte vodu ani iné tekutiny. Vysávanie takýchto materiálov môže mať za následok pretrhnutie prachového filtra.

Používanie prachového filtra:

1. Uvoľníte skrutky zaisťujúce plavákovú západku a potom z hlavnej jednotky odstránite skrutky, plavákovú západku a plavák.

- **Obr.11:** 1. Skrutka 2. Plaváková západka 3. Plavák
4. Hlavná jednotka

2. Z nádoby vyberte textilný filter.

- **Obr.12:** 1. Textilný filter 2. Nádobá

3. Do nádoby vložte predfilter a zarovnajete značky montážnej polohy na predfiltru a nádobe.

4. Do predfiltra vložte tlmíč a potom prachový filter umiestnite na tlmíč tak, aby boli zarovnané značky montážnej polohy na prachovom filtri a predfiltru.

5. Nasadte hlavnú jednotku na nádobu a zaisťte ju poistnými západkami.

- **Obr.13:** 1. Hlavná jednotka 2. Prachový filter (HEPA) 3. Tlmíč 4. Predfilter 5. Nádobá
6. Značka montážnej polohy

UPOZORNENIE: Pred použitím prachového filtra skontrolujte, že sa používa predfilter aj tlmíč. Prachový filter nie je dovolené inštalovať samostatne.

Inštalácia vodného filtra

Voliteľné príslušenstvo

UPOZORNENIE: Nikdy nevysávajte vodu ani mokrý prach, ak nie je nasadený plavák a textilný alebo vodný filter.

UPOZORNENIE: Pri vysávaní mokrého prachu sa uistite, že vo vysávači je nainštalovaná plaváková západka a plavák.

UPOZORNENIE: Pri inštalácii vodného filtra do nádoby ho nastavte do nádoby tesne tak, aby háčik vodného filtra pevne zapadol do otvoru na nádobe a aby medzi vodným filtrom a nádobou nebola medzera.

Ak chcete vysávať iba vodu a mokrý prach, vodný filter je vhodnejší ako textilný.

Pri inštalácii vodného filtra zarovnajete značku montážnej polohy filtra so značkou na nádobe.

► **Obr.14:** 1. Vodný filter 2. Nádržka 3. Značka montážnej polohy

POZNÁMKA: Pri opakovanom vysávaní väčšieho množstva vody sa odporúča použiť vodný filter. Pri použití textilného filtra môže dôjsť k zníženiu výkonu vysávania.

Inštalácia papierového vrecka

Voliteľné príslušenstvo

VAROVANIE: Pred použitím papierového vrecka skontrolujte, či sa zároveň používa aj textilný filter alebo predfilter. Opomenutie súčasne používať textilný filter a predfilter môže mať za následok nezvyčajný hluk a generovanie tepla s dôsledkom požiariu.

UPOZORNENIE: Pokiaľ používate papierové vrecko, nikdy nevysávajte vodu ani iné tekutiny. Vysávanie takýchto materiálov môže mať za následok pretrhnutie papierového vrecka.

UPOZORNENIE: Pri použití textilného filtra sa uistite, že sú plavák a plaváková západka pripojené k hlavnej jednotke.

UPOZORNENIE: Pri použití predfiltera skontrolujte, či sa spoločne používa prachový filter a tmič.

1. Otvorte papierové vrecko.
 2. Otvor papierového vrecka zarovnajete s otvorom na nasávanie prachu na nádobe.
 3. Papierové vrecko vložte do nádoby a kartónový otvor zaveste na držiak papierového vrecka.
- **Obr.15:** 1. Papierové vrecko 2. Kartónový otvor 3. Držiak papierového vrecka 4. Otvor na nasávanie prachu

Inštalácia polyetylénového vrecka

Keď je v nádobe nainštalované polyetylénové vrecko, nádobu môžete jednoducho vyprázdniť bez toho, aby ste si zašpinili ruky.

Polyetylénové vrecko položte na nádobu a jednu stranu horného okraja vrecka na otvorenom konci vložte medzi platňu držiaka a prednú stenu nádoby.

► **Obr.16:** 1. Platňa držiaka 2. Predná stena nádoby 3. Polyetylénové vrecko

Roztiahnite ostatné horné okraje vrecka smerom von cez horné okraje nádoby. Na polyetylénové vrecko umiestnite textilný filter alebo predfilter a bezpečne zaistite otvor vrecka.

► **Obr.17:** 1. Textilný filter/predfilter

POZNÁMKA: Možno použiť polyetylénové vrecká, ktoré bežne dostať na trhu. Odporúča sa hrúbka aspoň 0,04 mm.

POZNÁMKA: Veľmi veľa prachu spôsobí jednoduché roztrhnutie vrecka, a preto nevysávajte viac prachu ako je polovičný objem vrecka.

Vyprázdnenie nádoby s polyetylénovým vreckom

VAROVANIE: Pred vyprázdnením nádoby sa vždy uistite, že je vysávač vypnutý a akumulátory sú vybité. Ak tak neurobíte, môže dôjsť k úrazu elektrickým prúdom a vážnemu zraneniu.

UPOZORNENIE: Na plavákovú západku a nádobu nevyvíjajte veľký nárazový tlak. Veľký nárazový tlak môže mať za následok vznik deformácií a poškodenie dielov.

UPOZORNENIE: Nádobu vyprázdnite aspoň raz za deň v závislosti od objemu zozbieraného prachu v nádobe. V opačnom prípade sa zníži sací výkon a môže dôjsť k poškodeniu motora.

UPOZORNENIE: Pri vyprázdňovaní nádoby nedržte za háčiky ani západky. Ak budete držať za háčiky alebo západky, mohli by sa odlomiť.

Uvoľnite poistné západky a zdvihnite hlavnú jednotku z nádoby.

Pred vybratím filtra z nádoby vytraste prach z textilného filtra alebo predfiltera.

Potom vyberte polyetylénové vrecko z nádoby a rukou zatvorte otvor vrecka.

► **Obr.18:** 1. Polyetylénové vrecko 2. Nádobka

POZNÁMKA: Polyetylénové vrecko z nádoby vyberajte opatrne, aby sa nezachytilo a neroztrhlo o okraje nádoby.

POZNÁMKA: Polyetylénové vrecko vyprázdňte pred jeho naplnením. Veľmi veľa prachu v nádobe môže mať za následok prasknutie polyetylénového vrecka.

Inštalácia viacúčelového háčika

Viacúčelový háčik môžete použiť na zaistenie nepoužitej vanej hadice, príslušenstva a nadstavcov, ktoré odtiaľ v prípade potreby môžete zasa rýchlo odobrať.

► **Obr.19**

Viacúčelový háčik umiestnite na upevňovaciu základňu na zadnej strane vysávača tak, aby boli lišty na viacúčelovom háčiku zarovnané s drážkami na upevňovacej základni.

► **Obr.20:** 1. Viacúčelový háčik 2. Upevňovacia základňa

Inštalácia adaptéra MAKPAC

Voliteľné príslušenstvo

Pripojiteľné a stohovateľné úložné puzdrá MAKPAC je na hornú časť vysávača možné nainštalovať pomocou voliteľného adaptéra. Puzdrá sú dostupné v rôznych veľkostiach a štýloch, aby vyhovovali vašim preferenciám.

Háčik upevňovacej základne umiestnite na rukoväť vysávača tak, aby pri sklopení rukoväte do zatvorenej polohy jeho upevňovací povrch smeroval nahor.

► **Obr.21:** 1. Háčik upevňovacej základne 2. Upevňovací povrch 3. Rukoväť

Nasadte adaptér MAKPAC na háčik upevňovacej základne a spoločne ich zaistíte pomocou štyroch dodaných skrutiek.

► **Obr.22:** 1. Adaptér MAKPAC 2. Háčik upevňovacej základne 3. Skrutka

Zdvihnite lištu a dotiahnutím otočného gombíka pripravte puzdrá MAKPAC na inštaláciu na vysávač.

► **Obr.23:** 1. Lišta 2. Otočný gombík

POZNÁMKA: Podrobné informácie o inštalácii puzdier MAKPAC nájdete v návode dodanom s adaptérom a puzdrami MAKPAC.

Inštalácia hadice

UPOZORNENIE: Hadicu nikdy nasilu neohýbajte ani ju nestláčajte. Vysávač nikdy nepresúvajte ťahaním za hadicu. Namáhanie, stláčanie a ťahanie hadice môže mať za následok prasknutie alebo zdeformovanie hadice.

UPOZORNENIE: Na vysávanie veľkých odpadov, ako sú odrezky z hobľovačky, betónový prach alebo podobné materiály, ktoré nepredstavujú malý odpad, používajte hadicu s vnútorným priemerom 38 mm (voliteľné príslušenstvo). Používanie hadice s vnútorným priemerom 28 mm (voliteľné príslušenstvo) môže mať za následok upchatie a poškodenie hadice.

Pripojenie k vysávaču

Koniec hadice vložte do otvoru na nasávanie prachu (vstup hadice) vysávača, potom ju otáčajte v smere hodinových ručičiek dovtedy, kým zakliknutím nezapadne na miesto.

► **Obr.24:** 1. Hadica 2. Otvor na nasávanie prachu (vstup hadice)

Pripojenie k pracovným nástrojom (špecifické pre konkrétnu krajinu)

Po pripojení vysávača k dostupným kompatibilným pracovným nástrojom bude vysávač fungovať ako ich odsávač prachu.

Vyberte najvhodnejšiu prednú manžetu alebo spojku (voliteľné príslušenstvo) pre váš model nástroja. Podľa potreby umiestnite manžetu alebo spojku medzi predný koniec hadice vysávača a otvor na odsávanie prachu nástroja.

► **Obr.25:** 1. Predná manžeta alebo spojka 2. Hadica vysávača 3. Elektrický nástroj 4. Vysávač

Montáž a demontáž nadstavcov vysávača

⚠ POZOR: Po vložení nadstavca skontrolujte, či je pevne nainštalovaný. Ak nadstavec nie je vložný správne, mohol by sa uvoľniť a spôsobiť poranenie.

Pri používaní nadstavca bez funkcie zaistenia

Voliteľné príslušenstvo

Vložte nadstavec do nasávacieho otvoru vysávača tak, že ho rukou zatlačíte a zaskrutkujete na miesto.

Nadstavec po použití odpojte otočením a vytiahnutím z nasávacieho otvoru.

► **Obr.26**

Nadstavce s funkciou zaistenia

Voliteľné príslušenstvo

UPOZORNENIE: Pri vkladani nadstavca s funkciou zaistenia zarovnajtie uvoľňovacie tlačidlo s háčikom na nadstavci. Ak nie sú zarovnané, nadstavec sa nezaistí a môže sa uvoľniť z vysávača.

Vložte nadstavec do nasávacieho otvoru vysávača tak, že ich spojíte zacvaknutím.

Na odpojenie nadstavca držte stlačené uvoľňovacie tlačidlo a nadstavec vytiahnite.

► **Obr.27:** 1. Nasávací otvor s funkciou zaistenia 2. Uvoľňovacie tlačidlo 3. Nadstavec s funkciou zaistenia

POZNÁMKA: Nadstavec s funkciou zaistenia je možné nainštalovať iba do nasávacieho otvoru s funkciou zaistenia.

► **Obr.28:** 1. Nadstavec s funkciou zaistenia 2. Nasávací otvor s funkciou zaistenia 3. Nasávací otvor bez funkcie zaistenia

Nastavenie dĺžky predlžovacej tyče vysúvacieho typu

Voliteľné príslušenstvo

Predlžovaci tyč vysúvacieho typu je možné kombinovať pre kratšie a dlhšie dĺžky. Môžete tak vysávať ťažko dostupné miesta v pohodlnej polohe.

Ak chcete zmeniť dĺžku tyče, držte stlačené posuvné tlačidlo a zasuňte a vysuňte vysúvaciu tyč.

Uvoľnením posuvného tlačidla zaistíte vysúvaciu tyč v požadovanej polohe.

► **Obr.29:** 1. Vysúvacia tyč 2. Posuvné tlačidlo

ÚDRŽBA

▲POZOR: Pred vykonaním kontroly alebo údržby vždy skontrolujte, či je zariadenie vypnuté a akumulátory vybrať.

UPOZORNENIE: Nepoužívajte benzín, riedidlo, alkohol ani podobné látky. Mohlo by to spôsobiť zmenu farby, deformácie alebo praskliny.

Ak chcete udržať BEZPEČNOSŤ a BEZPORUCHOVOSŤ výrobku, prenechajte opravy, údržbu a nastavenie na autorizované alebo továrenské servisné centrá Makita, ktoré používajú len náhradné diely značky Makita.

Uloženie príslušenstva

Nepoužívané príslušenstvo a nadstavce, napríklad hubice a kefky, môžete zavesiť a uložiť na viacúčelovom háčiku na zadnej časti vysávača.

► **Obr.30:** 1. Viacúčelový háčik 2. Nepoužívané príslušenstvo a nadstavce

Ak vysávač chvíľu nebudete používať, trubice (s nainštalovaným voliteľným držiakom) môžete upevniť do držiaka trubice.

► **Obr.31:** 1. Držiak (voliteľné príslušenstvo) 2. Držiak trubice

Hadicu môžete voľno ovinúť a skladovať okolo krytu alebo rukoväti vysávača. Spojením oboch koncov vytvorte slučky, ktoré zaveste na zdvihnutú rukoväť. Prípadne môžete nechať jeden koniec zasunutý vo vstupe hadice a slučky s pripevneným voľným koncom zavesiť na viacúčelový háčik.

► **Obr.32**

► **Obr.33**

Čistenie textilného filtra

Textilný filter čistite v pravidelných intervaloch, pretože upchatý textilný filter môže byť príčinou slabého sacieho výkonu.

Textilný filter príležitostne utrite rukou a vytraste z neho prach.

► **Obr.34:** 1. Textilný filter

Čistenie prachového filtra (HEPA) a predfiltra

Voliteľné príslušenstvo

Prachový filter, predfilter a tlmíč čistite v pravidelných intervaloch, pretože upchaté filtre a tlmíč môžu byť príčinou slabého sacieho výkonu.

Filtre a tlmíč pravidelne utierajte rukou a vytriasajte z nich prach. Príležitostne vyperte prachový filter vo vode, opláchnite ho a pred použitím na tienistom mieste nechajte dôkladne vyschnúť. Filtre nikdy neperte v práčke.

► **Obr.35**

POZNÁMKA: Po prachovom filtri, predfiltri ani tlmíči nešúchajte ani neškriabte tvrdými predmetmi, ako je kefka a škrabka.

POZNÁMKA: Filtre sa časom opotrebovávajú. Odporúčame mať poruke aj náhradné filtre.

VOLITEĽNÉ PRÍSLUŠENSTVO

▲POZOR: Pre váš nástroj Makita, opísaný v tomto návode, doporučujeme používať toto príslušenstvo a nástavce. Pri použití iného príslušenstva či nástavcov môže hroziť nebezpečenstvo zranenia osôb. Príslušenstvo a nástavce sa môžu používať len na účely pre ne stanovené.

Ak potrebujete bližšie informácie týkajúce sa tohoto príslušenstva, obráťte sa na vaše miestne servisné stredisko firmy Makita.

- Hadica
- Predné manžety (22, 24, 38)
- Rovná trubica
- Predžlovacia tyč
- Rohová hubica
- Okrúhla kefka
- Prachový filter, HEPA (na suchý prach)
- Tlmíč
- Predfilter
- Vodný filter
- Textilný filter
- Sústava otvoru
- Ohnutá trubica
- Polyetylénové vrecko
- Papierové vrecko
- Adaptér MAKPAC
- Originálna batéria a nabíjačka Makita

POZNÁMKA: Niektoré položky zo zoznamu môžu byť súčasťou balenia nástrojov vo forme štandardného príslušenstva. Rozsah týchto položiek môže byť v každej krajine odlišný.

VAROVÁNÍ

- Toto zařízení není určeno k používání osobami (včetně dětí) s omezenými fyzickými, smyslovými či duševními schopnostmi nebo s nedostatečnými zkušenostmi a znalostmi.
- Děti musí být pod dohledem, aby si s vysavačem nehrály.
- Referenční typ akumulátoru naleznete v kapitole „SPECIFIKACE“.
- Postup sejmutí a nasazení akumulátoru naleznete v části „Nasazení a sejmutí akumulátoru“.
- Při likvidaci akumulátoru jej vyjměte z nářadí a zlikvidujte jej na bezpečném místě. Při likvidaci akumulátoru postupujte podle místních předpisů.
- Pokud nářadí delší dobu nepoužíváte, je nutné z něj akumulátor vyjmout.
- Akumulátor nezkratujte.
- Příslušné podrobnosti o opatřeních během uživatelské údržby viz kapitola „ÚDRŽBA“.

SPECIFIKACE

Model:	VC001GL	VC003GL
Standardní typ filtru	Textilní filtr (na suchý a vlhký prach)	
Max. objem vzduchu (s hadicí BL4040, ø32 mm x 1,7 m)	2,7 m ³ /min	
Vysávání (s hadicí BL4040, ø32 mm x 1,7 m)	23 kPa	
Kapacita vysávací nádoby	Prach	15 l
	Voda	12 l
Rozměry (D × Š × V)	366 mm x 334 mm x 425 mm	366 mm x 334 mm x 475 mm
Jmenovité napětí	36 V – 40 V DC max	
Hmotnost netto	8,1 – 11,2 kg	8,4 – 11,5 kg
Stupeň ochrany	IPX4	

- Vzhledem k neustálému výzkumu a vývoji zde uvedené technické údaje podléhají změnám bez upozornění.
- Technické údaje a akumulátor se mohou v různých zemích lišit.
- Uvedená hmotnost nezahrnuje příslušenství kromě akumulátorů. Tabulka uvádí nejlehčí a nejtěžší kombinace zařízení a akumulátorů.
- Na mokrý prach je třeba použít plovákový spínač a vodní filtr nebo textilní filtr.

Použitelný akumulátor a nabíječka

Akumulátor	BL4020 / BL4025 / BL4040* / BL4050F* / BL4080F* * : Doporučený akumulátor
Nabíječka	DC40RA / DC40RB / DC40RC

- V závislosti na regionu vašeho bydliště nemusí být některé akumulátory a nabíječky k dispozici.

VAROVÁNÍ: Používejte pouze výše uvedené akumulátory a nabíječky. Použití jiných akumulátorů a nabíječek může způsobit zranění a/nebo požár.

Symbyoly

Níže jsou uvedeny symbyoly, se kterými se můžete při použití nářadí setkat. Je důležité, abyste dříve, než s ním začnete pracovat, pochopili jejich význam.



Přečtete si návod k obsluze.



Budte obzvláště opatrní a dávejte pozor.



Varování! Ve vysavači může být nebezpečný prach.



Na vysavači nikdy nestůjte.



Třída prachu L (lehký). Vysavače umožňují vysávání prachu třídy L. Dodržujte místní předpisy týkající se prachu a pravidla bezpečnosti a ochrany zdraví při práci.



Pouze pro země EU

Z důvodu přítomnosti nebezpečných součástí v zařízení mohou odpadní elektrické a elektronické zařízení, akumulátory a baterie negativně ovlivnit životní prostředí a lidské zdraví. Elektrické a elektronické spotřebiče ani akumulátory nevyhazujte do domovního odpadu! V souladu s evropskou směrnicí o odpadních elektrických a elektronických zařízeních, akumulátorech a bateriích a odpadních akumulátorech a bateriích, stejně jako jejím přírůbkem ve vnitrostátním právu, by odpadní elektrická zařízení, baterie a akumulátory měly být uchovávány odděleně a měly by být odevzdány na vyhrazeném sběrném místě komunálního odpadu, které je provozováno v souladu s předpisy na ochranu životního prostředí. Toto je označeno symbolem přeškrtnuté popelnice na kolečkách, který je umístěn na zařízení.

Účel použití

Zařízení je určeno k suchému a mokrému vysávání. Zařízení je vhodné k průmyslovému využití například v hotelech, ve školách, v nemocnicích, továrnách, obchodech, kancelářích či půjčovnách.

Hlučnost

Typická vážená hladina hluku (A) určená podle normy EN60335-2-69:

Model VC001GL

Hladina akustického tlaku (L_{pA}): 70 dB(A) nebo méně
Nejistota (K): 2,5 dB(A)

Model VC003GL

Hladina akustického tlaku (L_{pA}): 70 dB(A) nebo méně
Nejistota (K): 2,5 dB(A)

Hladina hluku při práci může překročit hodnotu 80 dB (A).

POZNÁMKA: Celková(é) hodnota(y) emisí hluku byla(y) změněna(y) v souladu se standardní zkušební metodou a dá se použít k porovnání nářadí mezi sebou.

POZNÁMKA: Hodnotu(y) deklarovaných emisí hluku lze také použít k předběžnému posouzení míry expozice vibracím.

VAROVÁNÍ: Používejte ochranu sluchu.

VAROVÁNÍ: Emise hluku se při používání elektrického nářadí ve skutečnosti mohou od deklarované(ých) hodnot(y) lišit v závislosti na způsobech použití nářadí.

VAROVÁNÍ: Nezapomeňte stanovit bezpečnostní opatření na ochranu obsluhy podle odhadu expozice ve skutečných podmínkách použití. (Vezměte přitom v úvahu všechny části provozního cyklu, tj. kromě doby zátěže například doby, kdy je nářadí vypnuté a kdy běží naprázdno.)

Vibrace

Celková hodnota vibrací (vektorový součet tří os) určená podle normy EN60335-2-69:

Model VC001GL

Emise vibrací ($a_{h, M}$): 2,5 m/s² nebo méně
Nejistota (K): 1,5 m/s²

Model VC003GL

Emise vibrací ($a_{h, M}$): 2,5 m/s² nebo méně
Nejistota (K): 1,5 m/s²

POZNÁMKA: Celková(é) hodnota(y) deklarovaných vibrací byla(y) změněna(y) v souladu se standardní zkušební metodou a dá se použít k porovnání nářadí mezi sebou.

POZNÁMKA: Celkovou(é) hodnotu(y) deklarovaných vibrací lze také použít k předběžnému posouzení míry expozice vibracím.

VAROVÁNÍ: Emise vibrací se při používání elektrického nářadí ve skutečnosti mohou od deklarované(ých) hodnot(y) lišit v závislosti na způsobech použití nářadí.

VAROVÁNÍ: Nezapomeňte stanovit bezpečnostní opatření na ochranu obsluhy podle odhadu expozice ve skutečných podmínkách použití. (Vezměte přitom v úvahu všechny části provozního cyklu, tj. kromě doby zátěže například doby, kdy je nářadí vypnuté a kdy běží naprázdno.)

Prohlášení ES o shodě

Pouze pro evropské země

Prohlášení ES o shodě je obsaženo v Příloze A tohoto návodu k obsluze.

BEZPEČNOSTNÍ VÝSTRAHY

Bezpečnostní výstrahy k akumulátorovému vysavači

VAROVÁNÍ: DŮLEŽITÉ: PŘED POUŽITÍM SI POZORNĚ PŘEČTĚTE veškeré bezpečnostní výstrahy a všechny pokyny. Zanedbání výstrah a pokynů může mít za následek úraz elektrickým proudem, vznik požáru nebo vážné zranění.

1. Před použitím zajistěte, aby s vysavačem pracovaly osoby, jež jsou s používáním zařízení dostatečně obeznámeny.
2. Před použitím by měl být pracovník obsluhy informován, poučen a proškolen ohledně používání stroje a látek, na které se má používat, a to včetně bezpečného postupu likvidace a odebrání vysátého materiálu.
3. Dojde-li k úniku pěny či tekutiny, zařízení okamžitě vypněte.
4. Pravidelně čistěte zařízení omezující výšku hladiny vody a kontrolujte, zda není poškozeno.
5. Před každým použitím ověřte správnou instalaci filtrů. Vysavač nepoužívejte bez nasazených filtrů. Poškozený filtr ihned vyměňte. Je dobré jich mít k dispozici několik, jelikož filtry jsou spotřebním materiálem.
6. ZAMEZTE NECHTĚNĚMU SPUŠTĚNÍ. Během instalace akumulátoru/akumulátorů se ujistěte, zda je přepínač v poloze VYP.
7. Nevysávejte hořlavé materiály, pyrotechniku, hořící cigarety, horký popel, horké třísky ani ostré materiály jako žiletky, jehly, rozbité sklo atp.

8. **S VYSAVAČEM NIKDY NEPRACUJTE V BLÍZKOSTI LÁTEK, JAKO JE BENZÍN, PLYN, BARVY, LEPIDLO ČI JINÉ VYSOCE VÝBUŠNÉ HIMOTY.** Při přepínání poloh ZAP. a VYP. přepínač jiskří. Stejně tak při provozu jiskří i komutátor motoru. Mohlo by dojít k nebezpečnému výbuchu.
 9. Nikdy nevsávejte toxické, karcinogenní, hořlavé či jiné nebezpečné materiály jako azbest, arzén, baryum, beryllium, olovo, pesticidy či jiné látky ohrožující zdraví.
 10. Vysavač vždy umíst'ujte na vodorovný rovný povrch, abyste zabránili jeho pádu nebo neúmyslnému pohybu.
 11. S vysavačem nikdy nepracujte venku v dešti.
 12. Ve Finsku není tento stroj určen pro používání venku při nízké teplotě.
 13. Nepracujte v blízkosti zdrojů tepla (u kamen atp.).
 14. Pokud se vyfukovaný vzduch vrací zpět do místnosti, je nezbytné zajistit odpovídající rychlost výměny vzduchu v místnosti. Další informace viz národní předpisy.
 15. Neblokujte vstupy sání/výstupy/chladicí otvory. Tyto otvory umožňují chlazení motoru. Blokování je třeba pozorně zamezit, jinak se motor z důvodu nedostatku ventilace spálí.
 16. Udržujte vždy správný postoj a rovnováhu.
 17. Nepřehýbejte hadici, netahejte za ni a nešlapejte po ní.
 18. Při zpozorování slabého výkonu či jiného nenormálního chování během provozu vysavač okamžitě vypněte.
 19. **VYJMĚTE AKUMULÁTOR(Y).** Pokud jej nepoužíváte, před prováděním servisních zásahů a při výměně příslušenství.
 20. V rámci uchování vysavače ve špičkové provozuschopnosti proveďte bezprostředně po každém použití vyčištění a údržbu.
 21. **O VYSAVAČ SE PEČLIVĚ STAREJTE.** Vysavač udržujte v čistotě – zajistíte tak lepší a bezpečnější výkon. Při výměně příslušenství postupujte podle pokynů. Držadla udržujte suchá, čistá a chráňte je před olejem a mazacím tukem.
 22. **ZKONTROLUJTE, ZDA NEJSOU POŠKOZENY DÍLY.** Před dalším používáním vysavače je nutné pečlivě zkontrolovat kryt i jakékoli jiné poškozené díly a zjistit, zda bude zařízení i nadále správně pracovat a plnit příslušnou funkci. Zkontrolujte vyrovnání pohyblivých částí, spoje pohyblivých částí, zda nejsou některé díly rozbité či uvolněné a zda nenastaly nějaké potíže ovlivňující funkci. Pokud není jinde v tomto návodu k obsluze stanoveno jinak, musí být poškozený kryt či jiný díl řádně opraven nebo vyměněn autorizovaným servisním střediskem. Vadné přepínače musí být vyměněny autorizovaným servisním střediskem. Jestliže zařízení nelze přepínačem zapnout a vypnout, nepoužívejte jej.
 23. Při provádění servisu ze strany uživatele by stroj měl být rozebrán, vyčištěn a měl by být proveden servis v míře, která je rozumně proveditelná, aniž by to ohrozilo pracovníky údržby nebo jiné osoby.
 24. Stroj by měl po technické stránce zkontrolovat výrobce nebo pověřená osoba minimálně jednou ročně, a to včetně prohlídky stavu filtrů, vzduchotěsnosti stroje a správné funkce řídicího mechanismu.
 25. Při provádění servisu nebo oprav je nutno zlikvidovat veškeré znečištěné části, které nelze uspokojivě vyčistit; tyto části je nutno zlikvidovat v neprodyšných sáčcích v souladu s jakýmkoli platnými předpisy pro likvidaci takového odpadu.
 26. **NÁHRADNÍ DÍLY:** Při opravách používejte pouze identické náhradní díly.
 27. **ULOŽENÍ NEPOUŽÍVANÉHO VYSAVAČE:** Není-li vysavač používán, je třeba jej uložit ve vhodné místnosti.
 28. Filtry pro mokré vysávání a vnitřní část nádoby na kapalinu je třeba před skladováním vysušit.
 29. S vysavačem zacházejte ohleduplně. Hrubým zacházením můžete rozbit i nejdolnější zařízení.
 30. Vysavač nečistěte zvenku ani zevnitř benzínem, ředidlem ani čistícími chemikáliemi. Mohlo by dojít ke vzniku prasklin a změnám barvy.
 31. Vysavač nepoužívejte v uzavřených prostorech s hořlavými, výbušnými či jedovatými výpary vznikajícími z olejových nátěrů, ředidel, benzínu, přípravků proti molům atd., ani v oblastech s hořlavým prachem.
 32. S tímto ani s žádným jiným zařízením nepracujte pod vlivem léků či alkoholu.
 33. V rámci zajištění základní bezpečnosti používejte ochranné či bezpečnostní brýle s postranními kryty.
 34. V prašném pracovním prostředí používejte respirátor.
 35. Toto zařízení není určeno k používání osobami (včetně dětí) s omezenými fyzickými, smyslovými či duševními schopnostmi nebo s nedostatečnými zkušenostmi a znalostmi.
 36. Děti musí být pod dohledem, aby si s vysavačem nehrály.
 37. S akumulátorem/akumulátory ani s vysavačem nikdy nemanipulujte mokřýma rukama.
 38. Obzvláště opatrní buďte při práci na schodech.
 39. Vysavač nepoužívejte jako sedátko či pracovní stůl. Zařízení by mohlo spadnout a následně způsobit zranění.
- Práce s akumulátorovým náradím a péče o něj**
1. Nabíjení provádějte pouze pomocí nabíječky určené výrobcem. Nabíječka vhodná pro jeden typ akumulátoru může při použití s jiným akumulátorem vést ke vzniku nebezpečí požáru.
 2. **Elektrické nářadí používejte pouze s určenými akumulátory.** Použití jiných akumulátorů může vyvolat nebezpečí zranění a požáru.
 3. **Pokud akumulátor nepoužíváte, udržujte jej mimo dosah jiných kovových předmětů, jako jsou kancelářské sponky, mince, klíče, hřebíky, šrouby nebo jiné malé kovové předměty, které mohou propojit svorky akumulátoru.** Zkratování svorek akumulátoru může způsobit popáleniny nebo požár.

4. Při hrubém zacházení může z akumulátoru uniknout elektrolyt. Vyvarujte se styku s ním. Pokud dojde k náhodnému kontaktu, omyjte zasažené místo vodou. Pokud elektrolyt zasáhne oči, vyhleďte lékařskou pomoc. Elektrolyt uniklý z akumulátoru může způsobit podráždění nebo popálení pokožky.
5. **Nepoužívejte poškozený nebo upravený akumulátor nebo nářadí.** U poškozených nebo upravených akumulátorů může dojít k neočekávanému chování, které může mít za následek požár, výbuch nebo riziko poranění.
6. **Akumulátor nebo nářadí nevystavujte ohni nebo vysokým teplotám.** Při vystavení žáru ohně nebo teplotám nad 130 °C může dojít k výbuchu.
7. **Postupujte dle nabíjecích pokynů a akumulátor nebo nářadí nenabíjejte mimo teplotní rozsah specifikovaný v pokynech.** Nesprávné nabíjení při teplotách mimo stanovený rozsah může poškodit akumulátor a zvýšit riziko požáru.
10. **Obsažené lithium-iontové akumulátory podléhají právním požadavkům na nebezpečné zboží.** V případě komerční přepravy například externími dopravci je třeba dodržet zvláštní požadavky na balení a značení.
Pro přípravu zboží k přepravě je nutná konzultace s odborníkem na nebezpečný materiál. Dodržujte také případné podrobnější národní předpisy. Odkryté kontakty přelepte izolační páskou či jinak zakryjte a akumulátory zabalte tak, aby se v balení nemohly pohybovat.
11. **Při likvidaci akumulátoru jej vyjměte z nářadí a zlikvidujte jej na bezpečném místě. Při likvidaci akumulátoru postupujte podle místních předpisů.**
12. **Akumulátor používejte pouze s výrobky specifikovanými společností Makita.** Instalace akumulátoru do nevyhovujících výrobků může způsobit požár, nadměrné zahřívání, explozi nebo únik elektrolytu.

TYTO POKYNY USCHOVEJTE.

⚠VAROVÁNÍ: NEDOVOLTE, aby pohodlnost nebo pocit znalosti výrobku (získaný na základě předchozího použití) vedl k zanedbání dodržování bezpečnostních pravidel platných pro tento výrobek. **NESPRÁVNÉ POUŽÍVÁNÍ** či nedodržení bezpečnostních pravidel uvedených v tomto návodu k obsluze může způsobit vážné zranění.

Důležitá bezpečnostní upozornění pro akumulátor

1. Před použitím akumulátoru si přečtěte všechny pokyny a varovné symboly na (1) nabíječce, (2) akumulátoru a (3) výrobku využívajícím akumulátor.
2. **Nerozebírejte akumulátor ani do něj nijak nezasahujte.** Může dojít k požáru, nadměrnému zahřátí nebo výbuchu.
3. **Pokud se příliš zkrátí provozní doba akumulátoru, přerušte okamžitě práci. V opačném případě existuje riziko přehřívání, popálení nebo dokonce výbuchu.**
4. **Budou-li vaše oči zasaženy elektrolytem, vypláchněte je čistou vodou a okamžitě vyhleďte lékařskou pomoc. Může dojít ke ztrátě zraku.**
5. **Akumulátor nezkratujte:**
 - (1) **Nedotýkejte se svorek žádným vodivým materiálem.**
 - (2) **Neskladujte akumulátor v nádobě s jinými kovovými předměty, jako jsou hřebíky, mince, apod.**
 - (3) **Nevystavujte akumulátor vodě a dešti.** Zkrat akumulátoru může způsobit velký průtok proudu, přehřátí, možné popálení a dokonce i poruchu.
6. **Neskladujte a nepoužívejte nářadí a akumulátor na místech, kde může teplota překročit 50 °C (122 °F).**
7. **Nespalujte akumulátor, ani když je vážně poškozen nebo úplně opotřeben.** Akumulátor může v ohni vybuchnout.
8. **Akumulátor nesmí být proražen hřebíkem, řezán, drcen, házen či upuštěn na zem, ani nesmí dojít k nárazu tvrdého předmětu do něj.** Taková situace může způsobit požár, nadměrné zahřátí či výbuch.
9. **Nepoužívejte poškozené akumulátory.**

13. **Pokud nářadí delší dobu nepoužíváte, je nutné z něj akumulátor vyjmout.**
14. **Během a po použití se může akumulátor zahřát, což může způsobit popáleniny nebo podráždění. Při manipulaci s horkými akumulátory dávejte pozor.**
15. **Nedotýkejte se koncovek na nářadí ihned po použití, protože ta může být horká a způsobit popáleniny.**
16. **Do koncovek, otvorů a zdiček na akumulátoru se nesmí dostat piliny, prach nebo jiné nečistoty.** To může způsobit zahřátí, vznícení, prasknutí a poruchu nářadí nebo akumulátoru, což může vést k popáleninám nebo zranění osob.
17. **Jestliže nářadí není zkonstruováno tak, že je lze používat v blízkosti vysokého elektrického napětí, nepoužívejte akumulátor poblíž vedení s vysokým elektrickým napětím.** Mohlo by tím dojít k poruše či selhání nářadí či akumulátoru.
18. **Akumulátor uchovávejte mimo dosah dětí.**

TYTO POKYNY USCHOVEJTE.

⚠UPOZORNĚNÍ: Používejte pouze originální akumulátory Makita. Používání neoriginálních nebo upravených akumulátorů může způsobit explozi akumulátoru a následný požár, zranění a jiné poškození. Zaniká tím také záruka společnosti Makita na nářadí a nabíječku Makita.

Tipy k zajištění maximální životnosti akumulátoru

1. **Akumulátor nabíjete dříve, než dojde k jeho úplnému vybití. Pokud si povšimnete sníženého výkonu nářadí, vždy jej zastavte a dobijte akumulátor.**
2. **Nikdy nenabíjejte úplně nabitý akumulátor. Přebíjení zkracuje životnost akumulátoru.**
3. **Akumulátor dobíjejte při pokojové teplotě od 10 °C do 40 °C (50 °F až 104 °F). Před nabíjením nechejte horký akumulátor zchladnout.**
4. **Když není akumulátor používán, vyjměte ho z nářadí či nabíječky.**
5. **Pokud se akumulátor delší dobu nepoužívá (déle než šest měsíců), je nutno jej dobít.**

POPIS SOUČÁSTÍ

- **Obr.1:** 1. Hlavová jednotka 2. Plovákový spínač
3. Komora plováku 4. Textilní filtr 5. Nádrž

POPIS FUNKCÍ

⚠ UPOZORNĚNÍ: Před nastavováním zařízení nebo kontrolou jeho funkce se vždy přesvědčte, zda je vypnuté a jsou vyjmuté akumulátory.

Nasazení a sejmutí akumulátoru

⚠ UPOZORNĚNÍ: Před vložením nebo vyjmutím akumulátorů zařízení vždy vypněte.

⚠ UPOZORNĚNÍ: Při nasazování či snímání akumulátorů pevně držte vysavač i akumulátory. V opačném případě vám mohou vyklouznout z rukou, což může mít za následek poškození vysavače a akumulátorů nebo zranění.

⚠ UPOZORNĚNÍ: Při otevírání a zavírání krytu akumulátoru si počinejte opatrně, abyste si neskřípli prsty. V opačném případě by mohlo dojít ke zranění.

Vysavač je vybaven dvěma místy pro akumulátor. Se dvěma identickými akumulátory zapojenými vedle sebe můžete prodloužit dobu provozu při jednom či více použitích, aniž by bylo nutné práci přerušovat za účelem dobíjení akumulátorů. Vysavač funguje i s jedním akumulátorem a můžete si tedy vybrat dva nebo jeden akumulátor dle svých potřeb.

- **Obr.2:** 1. Levé místo pro akumulátor 2. Pravé místo pro akumulátor

Se dvěma akumulátory

Nepřetržitě napájení dvěma akumulátory umožňuje delší dobu provozu a efektivnější čištění. Když se první akumulátor vybije, vysavač automaticky přepne napájecí zdroj a pokračuje v provozu na druhý akumulátor.

POZNÁMKA: Levé místo pro akumulátor (při pohledu zepředu vysavače) má přednost před pravým místem pro akumulátor. Pravé místo pro akumulátor bude identifikováno jako napájecí zdroj jen tehdy, pokud v levém místě pro akumulátor není žádný akumulátor nebo pokud se akumulátor v levém místě pro akumulátor vybije.

POZNÁMKA: Po přepnutí vysavače z levého místa pro akumulátor na pravé místo můžete vyjmout akumulátor z levého místa pro akumulátor a nabít jej, aniž by bylo nutné přerušit práci. Pokud chcete přepnout prioritu zpět na levé místo pro akumulátor po instalaci dobíjeného akumulátoru, restartujte vysavač.

S jedním akumulátorem

Jako napájecí zdroj je nutný jen jeden akumulátor, buď v levém, nebo pravém místě pro akumulátor. Vysavač automaticky podle svého provozního stavu určí, které místo pro akumulátor je k dispozici.

Instalace a vyjmutí

Před instalací akumulátorů nejdříve uvolněte zámeč a otevřete kryt akumulátoru. Poté vložte akumulátory.

- **Obr.3:** 1. Zámeč 2. Kryt akumulátoru

Vyrovnejte jazyčky na blocích akumulátorů s drážkami v krytu a zasuňte akumulátory na místo. Akumulátory zasuňte na doraz, až zacvaknou na své místo. Pak zajistěte kryt akumulátoru.

- **Obr.4:** 1. Akumulátor 2. Tlačítko

Pokud chcete akumulátory z držáku vyjmout, vysuňte je se současným stisknutím a přidržením tlačítek na přední straně akumulátorů.

⚠ UPOZORNĚNÍ: Akumulátor vždy vkládejte zcela. Pokud tak neučiníte, může ze zařízení náhodně vypadnout a způsobit vám nebo osobám ve vašem okolí způsobit zranění.























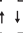

⚠ UPOZORNĚNÍ: Akumulátor nenasazujte násilím. Nelze-li akumulátor zasunout snadno, nevkládejte jej správně.

POZNÁMKA: Když vysavač přepíná napájecí zdroj z prvního akumulátoru na druhý, může vyžadovat dočasně pozastavení práce s možnou lehkou ztrátou sání. Upozorňujeme, že nejde o závadu, po přerušení vysavač znovu přejde do běžného provozu.

Indikace zbývajících kapacity akumulátoru

Stisknutím tlačítka kontroly na akumulátoru zjistíte zbývajících kapacitu akumulátoru. Kontrolky indikátoru se na několik sekund rozsvítí.

- **Obr.5:** 1. Kontrolky 2. Tlačítko kontroly

Kontrolky			Zbývajících kapacita
 Svítí	 Nesvítí	 Bliká	
			75 % až 100 %
			50 % až 75 %
			25 % až 50 %
			0 % až 25 %
			Nabíjete akumulátor.
			Došlo pravděpodobně k poruše akumulátoru.
			








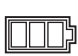
POZNÁMKA: Kapacita udávaná indikátorem se může mírně lišit od skutečné kapacity v závislosti na podmínkách používání a teplotě prostředí.

POZNÁMKA: První kontrolka (zcela vlevo) bude blikat, když je systém ochrany akumulátoru v provozu.

Kontrolky akumulátoru na ovládacím panelu

Zbývající kapacita akumulátoru je kdykoliv zobrazena na ovládacím panelu. Stiskněte tlačítko kontroly a levá a pravá kontrolka budou ukazovat úroveň nabití příslušného akumulátoru.

► **Obr.6:** 1. Kontrolky akumulátoru 2. Tlačítko kontroly
► **Obr.7**

Stav indikátoru akumulátoru			Zbývající kapacita akumulátoru
 Svítí	 Nesvítil	 Bliká	
			50 % až 100 %
			20 % až 50 %
			0 % až 20 %
			Nabijte akumulátor
			Akumulátor není vložený

POZNÁMKA: Kontrolky akumulátoru budou také aktivovány, když vysavač začne fungovat nebo přepne zdroj napájení z jednoho na druhý.





Systém ochrany zařízení a akumulátoru

Zařízení je vybaveno systémem ochrany akumulátoru i samotného zařízení. Tento systém automaticky přeruší napájení motoru, aby se prodloužila životnost zařízení a akumulátoru. Budou-li zařízení nebo akumulátor vystaveny některé z níže uvedených podmínek, zařízení se během provozu automaticky zastaví:




Ochrana proti přetížení

Pokud se se zařízením/akumulátorem pracuje způsobem vyvolávajícím mimořádně vysoký odběr proudu, zařízení se automaticky vypne. V takové situaci zařízení vypnete a ukončíte činnost, při níž došlo k přetížení zařízení. Potom zařízení zapnete a obnovte činnost.

Ochrana proti přehřátí

 Svítí	 Bliká
	

Pokud je zařízení přehřáté, automaticky se zastaví a levá a pravá kontrolka akumulátoru začnou blikat. V takovém případě nechte zařízení před opětovným zapnutím vychladnout.

 Svítí	 Bliká
	

Když je akumulátor přehřátý, zařízení se automaticky zastaví a jedna z obou kontrolky přehřátí akumulátoru začne blikat. V takovém případě nechte akumulátor před opětovným zapnutím zařízení vychladnout.

Ochrana proti přílišnému vybití

V případě nízké zbývající kapacity akumulátoru se zařízení automaticky zastaví. Jestliže zařízení při ovládní přepínače neběží, vyjměte akumulátory ze zařízení a nabijte je.

Ochrana proti jiným závadám

Ochranný systém je také navržen i pro jiné příčiny, které by mohly zařízení poškodit, a umožňuje automatické zastavení zařízení. Když se zařízení dočasně pozastaví nebo přestane pracovat, proveďte veškeré kroky k odstranění příčin.

1. Restartujte zařízení jeho vypnutím a opětovným zapnutím.
2. Nabijte akumulátor(y) nebo jej (je) vyměňte za nabitý (nabité).
3. Nechte zařízení a akumulátor(y) vychladnout.

Pokud se obnovou ochranného systému nedosáhne žádného zlepšení, obraťte se na místní servisní středisko Makita.

Používání spouště

Zapnutí vysavače

1. Přepněte přepínač pohotovostního režimu do polohy „I“ (ON) za účelem připravení vysavače v pohotovostním režimu.
2. Stiskněte tlačítko napájení. Chcete-li se znovu přepnout do pohotovostního režimu, znovu stiskněte tlačítko napájení.

Vypnutí vysavače

Proveďte jeden z následujících kroků.

- Stiskem tlačítka napájení přepněte vysavač zpět do pohotovostního režimu a pak přepněte přepínač pohotovostního režimu do polohy „O“ (OFF).
- Nastavte přepínač pohotovostního režimu do polohy „O“ (OFF).

Úprava sacího výkonu

Sací výkon lze nastavit podle potřeby vykonávané práce.

- Otočením nastavovacího knoflíku síly sání doleva sací výkon snižujete.
- Otáčením nastavovacího knoflíku síly sání doprava sací výkon zvyšujete.

► **Obr.8:** 1. Přepínač pohotovostního režimu 2. Tlačítko napájení 3. Nastavovací knoflík síly sání

Automatické zastavení vysávání během vlhkého vysávání

VAROVÁNÍ: Nepracujte dlouho s vysavačem s aktivovaným plovákovým spínačem. Delší používání vysavače s aktivovaným plovákovým spínačem může způsobit přehřátí a následnou deformaci vysavače.

VAROVÁNÍ: Nevysávejte pěnu ani mýdlovou vodu. To může způsobit únik pěny ze vzduchového výstupu ještě před sepnutím plovákového spínače. Pokračování v práci za těchto okolností může způsobit úraz elektrickým proudem a poruchu vysavače.

Automatické zastavení vysávání funguje pouze při použití plovákového spínače a komory. Vysavač je vybaven mechanismem plovákového spínače zamezujícím vniknutí vody do motoru při nasátí většího než určeného množství vody. Jakmile se sběrná nádoba naplní a vysavač již dále vodu nevysává, vypněte jej a sběrnou nádobu vyprázdněte.

Aretace a odblokování koleček

Zadní kolečka lze zaaretovat pomocí zarážek, aby mohl vysavač lépe stát na místě.

Stisknutím páčky zarážky dolů kolečko zaaretujete, zvednutím jej uvolníte.

► **Obr.9:** 1. Kolečko 2. Páčka zarážky 3. ODJIŠTĚNÁ poloha 4. ZAJIŠTĚNÁ poloha

POZNÁMKA: Při přesunování vysavače se ujistěte, zda je kolečko odblokováno. Přemístováním vysavače s kolečkem v zaaretované poloze můžete kolečko poškodit.

Držadlo pro přenášení

UPOZORNĚNÍ: Zařízení zvedejte a přenášejte opatrně. V opačném případě může dojít ke zranění nebo poškození zařízení.

Při přenášení vysavač uchopte za držadlo na hlavové jednotce. Pokud se držadlo nepoužívá, je zasunuto v hlavové jednotce.

► **Obr.10**

SESTAVENÍ

UPOZORNĚNÍ: Před prováděním jakýchkoli prací na zařízení se vždy přesvědčte, zda je zařízení vypnuté a jsou z něj vyjmuté akumulátory.

UPOZORNĚNÍ: Sestavování a údržbu vždy provádějte s nasazenou prachovou maskou.

Instalace prachového filtru (HEPA) a vstupního filtru (pro suchý prach)

Volitelné příslušenství

UPOZORNĚNÍ: Nikdy nevysávejte vodu, jiné kapaliny či mokry prach s použitím prachového filtru. Vysávání těchto materiálů může způsobit poškození prachového filtru.

Použití prachového filtru:

1. Povolte šrouby zajišťující komoru plováku a pak sejměte šrouby, komoru plováku a plovák z hlavové jednotky.

► **Obr.11:** 1. Šroub 2. Komora plováku 3. Plovákový spínač 4. Hlavová jednotka

2. Vyjměte textilní filtr z nádoby.

► **Obr.12:** 1. Textilní filtr 2. Nádoba

3. Umístěte vstupní filtr do nádoby zarovnaním značek montážní polohy na vstupním filtru a nádobě.

4. Nastavte tlumič do vstupního filtru a pak umístěte prachový filtr přes tlumič, přičemž zarovnejte značky montážní polohy na prachovém a vstupním filtru.

5. Namontujte hlavovou jednotku přes nádobu a zajištěte je západkami zámku.

► **Obr.13:** 1. Hlavová jednotka 2. Prachový filtr (HEPA) 3. Tlumič 4. Vstupní filtr 5. Sběrná nádoba 6. Značka montážní polohy

POZOR: Před použitím prachového filtru se ujistěte, zda je vždy zároveň použit i vstupní filtr s tlumičem. Není dovoleno nainstalovat pouze prachový filtr.

Montáž vodního filtru

Volitelné příslušenství

POZOR: Nikdy nevysávejte vodu či vlhký prach bez plovákového spínače a textilního či vodního filtru.

POZOR: Chcete-li vysávat vlhký prach, ujistěte se, že je ve vysavači správně umístěna komora plováku a plovákový spínač.

POZOR: Při instalaci vodní filtr nasad'te těsně na otvor sběrné nádoby tak, aby se háček vodního filtru pevně zachytil v otvoru sběrné nádoby a aby mezi vodním filtrem a sběrnou nádobou nebyla žádná mezera.

Vysáváte-li výhradně vodu či vlhký prach, vodní filtr je vhodnější než textilní.

Při instalaci vodního filtru zarovnejte jeho značky nasazovací polohy s těmi vyznačenými na nádobce.

► **Obr.14:** 1. Vodní filtr 2. Nádrž 3. Značka montážní polohy

POZNÁMKA: Při opakovaném vysávání většího množství vody se doporučuje použít vodní filtr. V případě použití textilního filtru může být sací výkon omezen.

Vložení papírového sáčku

Volitelné příslušenství

VAROVÁNÍ: Před použitím papírového sáčku se ujistěte, zda je vždy zároveň použit textilní i vstupní filtr. Zanedbání nasazení textilního/vstupního filtru společně může být příčinou hlučnosti a zahřívání, jež může vyvolat požár.

POZOR: Nikdy nevysávejte vodu, jiné kapaliny či mokry prach s použitím papírového sáčku.

Vysávání těchto materiálů může způsobit protržení papírového sáčku.

POZOR: Když používáte textilní filtr, ujistěte se, že jsou k hlavové jednotce připojeny plovák a komora plováku.

POZOR: Když používáte vstupní filtr, ujistěte se, že jsou společně použity prachový filtr a tlumič.

1. Rozložení papírového sáčku.
2. Otvor papírového sáčku vyrovnajte se sáním prachu nádoby.
3. Vložte papírový sáček do nádoby s kartonovým otvorem zavěšeným na držák papírového sáčku.
► **Obr.15:** 1. Papírový sáček 2. Kartonový otvor 3. Držák papírového sáčku 4. Sání prachu

Nasazení polyetyléového sáčku

S polyetyléovým sáčkem nasazeným v nádobě můžete nádobu snadno vyprazdňovat, aniž byste si znečistili ruce.

Položte polyetyléový sáček přes nádobu, zasuňte jednu stranu horní hrany sáčku na jeho otevřené straně mezi přídržnou desku a přední stěnu nádoby.

- **Obr.16:** 1. Přídržná deska 2. Přední stěna nádoby 3. Polyetyléový sáček

Roztáhněte ostatní horní hrany sáčku ven přes horní obruby nádoby. Umístěte textilní filtr nebo vstupní filtr přes polyetyléový sáček za účelem pevného upevnění otvoru sáčku.

- **Obr.17:** 1. Textilní/vstupní filtr

POZNÁMKA: Můžete použít běžné dostupný polyetyléový sáček. Doporučujeme použít sáček tloušťky 0,04 mm nebo silnější.

POZNÁMKA: Přílišné množství prachu sáček snadno protrhne – nenaplňujte jej více než z poloviny objemu.

Vyprazdňování nádoby s polyetyléovým sáčkem

VAROVÁNÍ: Před vyprazdněním nádoby se vždy přesvědčte, zda je vysavač vypnutý a jsou vyjmuté akumulátory. V opačném případě může dojít k úrazu elektrickým proudem a vážnému zranění.

POZOR: Komoru plováku a sběrnou nádobu nevystavujte silným nárazům. Silné nárazy mohou součástí zdeformovat a poškodit.

POZOR: Sběrnou nádobu alespoň jednou za den vysypte i přesto, že záleží především na objemu prachu shromážděného ve sběrné nádobě. Jinak se sníží síla sání a může se poškodit motor.

POZOR: Při vyprazdňování nádoby nedržte za háčky ani západky. Držení za háčky nebo západky může způsobit jejich zlomení.

Uvolněte západky zámku a zvedněte hlavovou jednotku z nádoby.

Před zvednutím filtru z nádoby vytřepte prach z textilního nebo vstupního filtru.

Pak vyjměte polyetyléový sáček z nádoby a rukou zavřete otvor sáčku.

- **Obr.18:** 1. Polyetyléový sáček 2. Nádoba

POZNÁMKA: Polyetyléový sáček vytahujte z nádoby opatrně, aby se nezachytil a neprotrhl o hrany uvnitř nádoby.

POZNÁMKA: Polyetyléový sáček vyprázdněte ještě než se zcela zaplní. Příliš mnoho prachu ve sběrné nádobě může polyetyléový sáček protrhnout.

Instalace vícenásobného háčku

Pomocí vícenásobného háčku můžete držet nepoužívanou hadici, příslušenství a vybavení na místě a můžete je rychle vyjmát dle svých potřeb.

- **Obr.19**

Umístěte vícenásobný háček přes montážní základnu v zadní části vysavače nastavením bočnic na vícenásobném háčku podél drážek na montážní základně.

- **Obr.20:** 1. Vícenásobný háček 2. Montážní základna

Instalace MAKPAC adaptéru

Volitelné příslušenství

Na horní část vysavače lze instalovat připojitelná a skládatelná úložná pouzdra MAKPAC s volitelným adaptérem. Tato pouzdra jsou k dispozici v mnoha velikostech a tvarech, aby to odpovídalo vašim požadavkům.

Umístěte háček montážní základny přes držadlo vysavače tak, aby její montážní povrch mířil nahoru, když je držadlo sklopené do zavřené polohy.

- **Obr.21:** 1. Háček montážní základny 2. Montážní povrch 3. Držadlo

Namontujte MAKPAC adaptér na háček montážní základny a zajistěte je k sobě pomocí čtyř přiložených šroubů.

- **Obr.22:** 1. MAKPAC adaptér 2. Háček montážní základny 3. Šroub

Zvedněte tlačnou tyč nahoru a utažením knoflíku přepravte instalaci pouzder MAKPAC na vysavač.

- **Obr.23:** 1. Tlačná tyč 2. Knoflík

POZNÁMKA: Podrobné informace o instalaci pouzder MAKPAC jsou uvedeny v pokynech dodaných s pouzdry a adaptérem MAKPAC.

Instalace hadice

POZOR: Hadici nikdy neohýbejte násilím a nešlapejte na ni. Vysavač nikdy nepřesunujte taháním za hadici. Hrubým zacházením, šlapáním či taháním můžete hadici zlomit či zdeformovat.

POZOR: Při vysávání objemného odpadu, například z hoblování, úlomků betonu či podobného materiálu použijte hadici s vnitřním průměrem 38 mm (volitelné příslušenství). Hadice o vnitřním průměru 28 mm (volitelné příslušenství) se může upcat a poškodit.

Připojení k vysavači

Zasuňte konec hadice k sání prachu (vstup hadice) vysavače a pak jej otočením ve směru hodinových ručiček zajistěte na místě.

► **Obr.24:** 1. Hadice 2. Sání prachu (vstup hadice)

Připojení k pracovním nářadím (Specifické podle země)

Připojením vysavače k jakýmkoliv dostupným pracovním nářadím kompatibilním s vysavačem můžete zajistit jeho provoz jako odsávače prachu pro vaše elektrické nářadí.

Vyberte jednu z předních manžet nebo spojovacích částí (volitelné příslušenství), která nejlépe odpovídá modelu vašeho nářadí. Umístěte manžetu nebo spojovací část dle potřeby mezi přední stranu hadice vysavače a otvor odsávání prachu nářadí.

► **Obr.25:** 1. Přední manžety nebo spojovací část 2. Hadice vysavače 3. Elektrické nářadí 4. Vysavač

Montáž a demontáž nástavců k vysávání

⚠️ UPOZORNĚNÍ: Po montáži nástavce zkontrolujte, zda je bezpečně zajištěn. Pokud bude nástavec nasazen nesprávně, může se uvolnit a způsobit úraz.

Používání nástavce bez funkce zámku

Volitelné příslušenství

Zasuňte nástavec do vstupu sání vysavače ručním zatlačením a zašroubováním na místo.

Po použití ručně otočte a vytáhněte nástavec ze vstupu sání.

► **Obr.26**

Nástavce s funkcí zámku

Volitelné příslušenství

POZOR: Při montáži nástavce s funkcí zámku nezapomeňte zarovnat uvolňovací tlačítko s háčkem na nástavci. Pokud nejsou zarovnané, nástavec nebude zajištěný a může se z vysavače uvolnit.

Zasuňte nástavec do vstupu sání jejich zatlačením, dokud nezacvaknou.

Chcete-li nástavec sejmut, vytáhněte jej ven při současném stisku uvolňovacího tlačítka.

► **Obr.27:** 1. Vstup sání s funkcí zámku 2. Uvolňovací tlačítko 3. Příslušenství s funkcí zámku

POZNÁMKA: Příslušenství s funkcí zámku lze instalovat jen do vstupu sání s funkcí zámku.

► **Obr.28:** 1. Příslušenství s funkcí zámku 2. Vstup sání s funkcí zámku 3. Vstup sání bez funkce zámku

Úprava délek vysouvacího prodlužovacího nástavce

Volitelné příslušenství

Vysouvací prodlužovací nástavec lze kombinovat s kratšími a delšími délkami. Umožňuje čištění obtížně dostupných míst a pohodlné možnosti polohování.

Zasunutím a vysunutím vysouvací trubice měníte délky nástavce při současném stisknutí a přidržení tlačítka vysouvacího dílu.

Uvolněním tlačítka vysouvacího dílu zajistíte vysouvací trubici v požadované poloze.

► **Obr.29:** 1. Vysouvací trubice 2. Tlačítko vysouvacího dílu

ÚDRŽBA

⚠️ UPOZORNĚNÍ: Před zahájením kontroly nebo údržby zařízení se vždy ujistěte, zda je vypnuté a jsou vyjmuté akumulátory.

POZOR: Nikdy nepoužívejte benzín, benzen, ředidlo, alkohol či podobné prostředky. Mohlo by tak dojít ke změnám barvy, deformacím či vzniku prasklin.

K zachování BEZPEČNOSTI a SPOLEHLIVOSTI výrobku musí být opravy a veškerá další údržba či seřizování prováděny autorizovanými nebo továrními servisními středisky společnosti Makita s využitím náhradních dílů Makita.

Uložení příslušenství

Nepoužívané příslušenství a nástavce, jako jsou např. hubice a kartáče, lze zavěsit a uložit na vícenásobném háčku v zadní části vysavače.

► **Obr.30:** 1. Vícenásobný háček 2. Nepoužívané příslušenství a nástavce

Trubice (s instalovanou volitelnou zarážkou) lze uložit do držáku trubíc rovněž při chvilkovém přerušení práce s vysavačem.

► **Obr.31:** 1. Zarážka (volitelné příslušenství) 2. Držák trubice

Hadici lze zabalit a uložit kolem pláště nebo držadla vysavače ve velkých smyčkách. Připojte oba konce k sobě, a vytvořte tak smyčky, zavěste smyčky na zvednuté držadlo. Alternativně nechte její spodní stranu nainstalovanou ve vstupu hadice a zavěste smyčky na vícenásobný háček s uvázaným volným koncem.

► **Obr.32**

► **Obr.33**

Čištění textilní filtru

Textilní filtr čistěte v pravidelných intervalech, jelikož zanesený textilní filtr může mít za následek snížení sacího výkonu.

Příležitostně ručně textilní filtr otírejte a vytřepávejte.

► **Obr.34:** 1. Textilní filtr

Čištění prachového filtru (HEPA) a vstupního filtru

Volitelné příslušenství

Prachový filtr, vstupní filtr a tlumič čistěte pravidelně, jelikož zanesené filtry a tlumič mohou mít za následek snížení sacího výkonu.

Pravidelně ručně otírejte a vytřepávejte filtry a tlumič. Prachový filtr příležitostně vyperte ve vodě, opláchněte a před použitím jej nechte ve stínu řádně vyschnout. Filtry nikdy neperte v pračce.

► **Obr.35**

POZNÁMKA: Dejte pozor, abyste prachový filtr, vstupní filtr a tlumič neodřeli nebo nepoškrábali tvrdými předměty, například smetáčkem a lopatkou.

POZNÁMKA: Filtry se postupně opotřebovávají. Je dobré jich mít k dispozici několik.

VOLITELNÉ PŘÍSLUŠENSTVÍ

⚠ UPOZORNĚNÍ: Pro nářadí Makita popsané v tomto návodu doporučujeme používat následující příslušenství a nástavce. Při použití jiného příslušenství či nástavců může hrozit nebezpečí zranění osob. Příslušenství lze používat pouze pro stanovené účely.

Potřebujete-li bližší informace ohledně tohoto příslušenství, obraťte se na místní servisní středisko společnosti Makita.

- Hadice
- Přední manžety (22, 24, 38)
- Přímá trubice
- Prodlužovací nástavec
- Rohová hubice
- Hubice s kulatým kartáčem
- Prachový filtr, HEPA (na suchý prach)
- Tlumič
- Vstupní filtr
- Vodní filtr
- Textilní filtr
- Sestava hubice
- Zakřivená trubice
- Polyetylenový sáček
- Papírový sáček
- MAKPAC adaptér
- Originální akumulátor a nabíječka Makita

POZNÁMKA: Některé položky seznamu mohou být k nářadí přibaleny jako standardní příslušenství. Přibalené příslušenství se může v různých zemích lišit.

ПОПЕРЕДЖЕННЯ

- Цей пристрій не призначений для використання дітьми й особами з обмеженими фізичними, сенсорними або розумовими можливостями, а також особами, яким не вистачає відповідних знань і досвіду.
- Не допускайте, щоб діти гралися з пиლოსосом.
- Тип акумулятора див. у розділі «ТЕХНІЧНІ ХАРАКТЕРИСТИКИ».
- Інструкції щодо встановлення та зняття акумулятора див. у розділі «Встановлення та зняття касети з акумулятором».
- Для утилізації касети з акумулятором витягніть її з інструмента та утилізуйте безпечним способом. Дотримуйтеся норм місцевого законодавства щодо утилізації акумуляторів.
- Якщо інструментом не користуватимуться протягом тривалого періоду часу, вийміть акумулятор з інструмента.
- Не закоротіть касету з акумулятором.
- Відомості про заходи безпеки під час обслуговування виробу користувачем див. у розділі «ТЕХНІЧНЕ ОБСЛУГОВУВАННЯ».

ТЕХНІЧНІ ХАРАКТЕРИСТИКИ

Модель:		VC001GL	VC003GL
Стандартний тип фільтра		Тканинний фільтр (для сухого пилю та вологого пилю)	
Максимальний об'єм повітря (з BL4040, шлангом ø32 мм і довжиною 1,7 м)		2,7 м ³ /хв	
Вакуум (з BL4040, шлангом ø32 мм і довжиною 1,7 м)		23 кПа	
Відновлювана місткість	Пил	8 л	15 л
	Вода	6 л	12 л
Розміри (Д × Ш × В)		366 мм × 334 мм × 425 мм	366 мм × 334 мм × 475 мм
Номинальна напруга		36 В – макс. 40 В пост. струму.	
Маса нетто		8,1 – 11,2 кг	8,4 – 11,5 кг
Ступінь захисту		IPX4	

- Оскільки наша програма наукових досліджень і розробок триває безперервно, наведені тут технічні характеристики можуть бути змінені без попередження.
- Технічні характеристики приладу та касета з акумулятором можуть відрізнятися в різних країнах.
- Вага не включає жодних додаткових приладів, окрім касет з акумулятором. Найменшу й найбільшу сукупну вагу пристрою та касет з акумулятором наведено в таблиці.
- Для вологого пилю необхідно використовувати поплавець і водяний або тканинний фільтр.

Застосовна касета з акумулятором і зарядний пристрій

Касета з акумулятором	BL4020 / BL4025 / BL4040* / BL4050F* / BL4080F* *: рекомендований акумулятор
Зарядний пристрій	DC40RA / DC40RB / DC40RC

- Деякі касети з акумулятором і зарядні пристрої, які вказано вище, можуть бути недоступними залежно від вашого регіону або місця перебування.

⚠ ПОПЕРЕДЖЕННЯ: Використовуйте лише касети з акумулятором і зарядні пристрої, зазначені вище. Використання будь-яких інших касет з акумулятором і зарядних пристроїв може призвести до травмування й/або пожежі.

Символи

Далі наведено символи, які можуть застосовуватися для позначення обладнання. Перед користуванням переконайтеся, що ви розумієте їхнє значення.



Читайте посібник з експлуатації.



Будьте особливо уважні та обережні!



Попередження! Пиლოსос може містити небезпечний пил.



Ніколи не ставайте на пиросос.



Клас пилу L (легкий). Пирососи здатні збирати пил класу L. Дотримуйтеся чинних у вашій країні вказівок відносно належних заходів безпеки та гігієни праці під час збирання пилу.



Ni-MH
Li-Ion

Тільки для країн ЄС
Через наявність в обладнанні небезпечних компонентів відходи електричного та електронного обладнання, акумулятори та батареї можуть негативно впливати на навколишнє середовище та здоров'я людини.

Не викидайте електричні та електронні прилади або батареї разом з побутовими відходами!

Відповідно до директиви ЄС стосовно відходів електричного та електронного обладнання, акумуляторів, батарей та відходів акумуляторів і батарей, а також відповідно до її адаптації до національного законодавства, відходи електричного обладнання, батареї та акумулятори слід зберігати окремо й доставляти на пункт роздільного збору комунальних відходів, який працює з дотриманням правил охорони навколишнього середовища.

Це позначено символом у вигляді перекресленого сміткового контейнера з колесами, нанесеним на обладнання.

Призначення

Прилад призначено для збирання як вологого, так і сухого пилу. Цей прилад придатний для комерційного застосування, наприклад у готелях, школах, лікарнях, на заводах, в офісах, у магазинах і в прокатному бізнесі.

Шум

Рівень шуму за шкалою А в типовому виконанні, визначений відповідно до стандарту EN60335-2-69:

Модель VC001GL

Рівень звукового тиску (L_{pA}): 70 дБ (А) чи менше
Похибка (К): 2,5 дБ (А)

Модель VC003GL

Рівень звукового тиску (L_{pA}): 70 дБ (А) чи менше
Похибка (К): 2,5 дБ (А)

Рівень шуму під час роботи може перевищувати 80 дБ (А).

ПРИМІТКА: Заявлене значення шуму було виміряно відповідно до стандартних методів тестування й може використовуватися для порівняння одного інструмента з іншим.

ПРИМІТКА: Заявлене значення шуму може також використовуватися для попереднього оцінювання впливу.

▲ПОПЕРЕДЖЕННЯ: Користуйтеся засобами захисту органів слуху.

▲ПОПЕРЕДЖЕННЯ: Залежно від умов використання рівень шуму під час фактичної роботи електроінструмента може відрізнятися від заявленого значення вібрації; особливо сильно на це впливає тип деталі, що оброблюється.

▲ПОПЕРЕДЖЕННЯ: Забезпечте належні запобіжні заходи для захисту оператора, що відповідатимуть умовам використання інструмента (слід брати до уваги всі складові робочого циклу, як-от час, коли інструмент вимкнено та коли він починає працювати на холостому ході під час запуску).

Вібрація

Загальна величина вібрації (векторна сума трьох напрямків) визначена згідно з EN60335-2-69:

Модель VC001GL

Вібрація ($a_{h,M}$): 2,5 м/с² або менше
Похибка (К): 1,5 м/с²

Модель VC003GL

Вібрація ($a_{h,M}$): 2,5 м/с² або менше
Похибка (К): 1,5 м/с²

ПРИМІТКА: Заявлене загальне значення вібрації було виміряно відповідно до стандартних методів тестування й може використовуватися для порівняння одного інструмента з іншим.

ПРИМІТКА: Заявлене загальне значення вібрації може також використовуватися для попереднього оцінювання впливу.

▲ПОПЕРЕДЖЕННЯ: Залежно від умов використання вібрація під час фактичної роботи електроінструмента може відрізнятися від заявленого значення вібрації; особливо сильно на це впливає тип деталі, що оброблюється.

▲ПОПЕРЕДЖЕННЯ: Забезпечте належні запобіжні заходи для захисту оператора, що відповідатимуть умовам використання інструмента (слід брати до уваги всі складові робочого циклу, як-от час, коли інструмент вимкнено та коли він починає працювати на холостому ході під час запуску).

Декларація про відповідність стандартам ЄС

Тільки для країн Європи

Декларацію про відповідність стандартам ЄС наведено в Додатку А до цієї інструкції з експлуатації.

ПОПЕРЕДЖЕННЯ ПРО ДОТРИМАННЯ ТЕХНІКИ БЕЗПЕКИ

Попередження про необхідну обережність під час роботи з акумуляторним пирососом

▲ ПОПЕРЕДЖЕННЯ: ВАЖЛИВО!
ПРОЧИТАЙТЕ УВАЖНО всі попередження про необхідну обережність під час роботи та всі інструкції ПЕРЕД ВИКОРИСТАННЯМ.
Недотримання попереджень та інструкцій може призвести до ураження електричним струмом, до виникнення пожежі та/або до отримання серйозних травм.

1. Перед початком експлуатації переконайтеся в тому, що користувача належним чином проінструктовано стосовно роботи із цим пирососом.
2. Перед початком експлуатації оператори мають ознайомитися з інформацією, інструкціями та пройти підготовку з експлуатації машини й використання речовин, для роботи з якими призначена ця машина, включаючи безпечний спосіб збору й видалення зібраного матеріалу.
3. У разі витікання піни або рідини з пирососа негайно його вимкніть.
4. Регулярно чистьте обмежувач рівня води й перевіряйте його на ознаки пошкодження.
5. Перед використанням обов'язково переконайтеся, що фільтри встановлено належним чином. Не користуйтеся пирососом без правильно встановлених фільтрів. Пошкоджений фільтр підлягає негайній заміні. Рекомендовано мати кілька запасних фільтрів, оскільки фільтри належать до витратних матеріалів.
6. УНИКАЙТЕ ВИПАДКОВОГО ВВИМКНЕННЯ. Переконайтеся, що перемикач пирососа знаходиться у вимкненому положенні, коли встановлюєте акумулятор(и).
7. Не намагайтеся збирати легкозаймисті матеріали, петарди, запалені сигарети, гарячий попіл, гарячу металеву стружку, гострі речі, такі як леза, голки, розбите скло тощо.
8. **НІКОЛИ НЕ ВИКОРИСТОВУЙТЕ ПИЛОСОС ПОРЯД ІЗ БЕНЗИНОМ, ГАЗОМ, ФАРБЮЮ, КЛЕЄМ АБО ІНШИМИ ВИБУХОВИМИ РЕЧОВИНАМИ.** Перемикач випускає іскри під час вмикання або вимкнення. Колектор двигуна також іскрить під час роботи. Існує небезпека вибуху.
9. Ніколи не збирайте пирососом токсичні, канцерогенні, легкозаймисті або інші небезпечні речовини, такі як азбест, миш'як, барій, берилій, свинець, пестициди або інші шкідливі для здоров'я речовини.
10. Завжди розміщуйте пиросос на горизонтальній рівній поверхні для запобігання його падінню або випадковому переміщенню.
11. Ніколи не використовуйте пиросос просто неба під дощем.
12. Для Фінляндії: пристрій не слід використовувати поза приміщенням при низькій температурі.
13. Заборонено використовувати пристрій поблизу джерел тепла (плит тощо).
14. Якщо повітря, що виходить із пристрою, повертається в приміщення, необхідно забезпечити в приміщенні достатній повітрообмін. Необхідно дотримуватися державних норм.
15. Не блокуйте отвір усмоктування, вихідні отвори або вентиляційні отвори. Завдяки цим отворах відбувається охолодження двигуна. Слід уникати блокування цих отворів, інакше двигун займеться через нестачу вентиляції.
16. Завжди твердо стійте на ногах і тримайте рівновагу.
17. Не згинайте, не смикайте й не ставайте на шланг.
18. Негайно зупиняйте роботу пирососа, якщо ви помітили, що він працює неналежним чином, або помітили щось незвичне.
19. **ВИТЯГНІТЬ АКУМУЛЯТОР(И).** Коли пристрій не використовується, перед технічним обслуговуванням та під час заміни приладдя.
20. Чистьте й обслуговуйте пиросос одразу після кожного використання, щоб тримати його у відмінному робочому стані.
21. **ТРИМАЙТЕ ПИЛОСОС У НАЛЕЖНОМУ СТАНІ.** Тримайте пиросос у чистоті для забезпечення кращої та безпечнішої роботи. Дотримуйтеся інструкцій із заміни приладдя. Ручки мають бути сухими, чистими й не забрудненими мастилом або жиром.
22. **ПЕРЕВІРЯЙТЕ ПОШКОДЖЕНІ ДЕТАЛІ.** Перш ніж продовжувати використання пирососа, слід перевірити захисний пристрій чи іншу пошкоджену деталь, щоб переконаватися в тому, що вони можуть далі виконувати свої функції належним чином. Переконайтеся в співвідносності, відсутності пошкоджень рухомих деталей, надійності кріплення й відсутності інших дефектів, які можуть вплинути на роботу інструмента. Ремонтувати або замінювати захисний пристрій чи інші пошкоджені деталі має авторизований сервісний центр, якщо інше не зазначено в цій інструкції. Пошкоджені перемикачі необхідно замінювати в авторизованому сервісному центрі. Не використовуйте пиросос, якщо його перемикач не працює.
23. Примітка щодо самостійного обслуговування: пристрій необхідно демонтувати, очистити й виконати його технічне обслуговування, наскільки цього можна досягнути практично, без ризику для обслуговуючого персоналу та інших осіб.

24. Виробник або підготовлений фахівець мають не рідше одного разу на рік проводити технічну перевірку машини, зокрема огляд фільтрів на відсутність пошкодження, перевірку герметичності машини та належного функціонування механізму керування.
25. Під час виконання робіт з обслуговування або ремонту всі забруднені елементи, задовільне очищення яких неможливе, слід утилізувати. Такі елементи слід скласти в непрозорі мішки відповідно до чинних положень щодо утилізації таких відходів.
26. ЗАПЧАСТИНИ. Під час обслуговування використовуйте тільки ідентичні запчастини.
27. ЗБЕРІГАННЯ ВИМКНЕНОГО ПИЛОСОСА. Коли пилосос не використовується, його слід зберігати в приміщенні.
28. Вологі фільтри й внутрішню частину ємності для рідини необхідно висушити, оскільки їх дозволяється зберігати тільки в сухому вигляді.
29. Поводьтеся з пилососом обережно. Грубе поводження може спричинити поломку навіть найміцнішого пилососа.
30. Не намагайтеся почистити пилосос ззовні або зсередини бензином, розчинником або мийними засобами. Це може спричинити появу тріщин і зміну кольору.
31. Не використовуйте пилосос у закритому приміщенні, де масляні фарби, розчинники, бензин, деякі засоби проти молі тощо можуть виділяти легкозаймисті, вибухонебезпечні або токсичні випаровування, або в місцях, де є легкозаймистий пил.
32. Не використовуйте цей або будь-який інший інструмент, коли знаходитеся під дією алкоголю або лікарських препаратів.
33. Загальним правилом безпеки є використання захисних окулярів або окулярів із бічними захисними щитками.
34. Використовуйте протипиловий респіратор під час роботи в запилених умовах.
35. Цей пристрій не призначений для використання дітьми й особами з обмеженими фізичними, сенсорними або розумовими можливостями, а також особами, яким не вистачає відповідних знань і досвіду.
36. Не допускайте, щоб діти гралися з пилососом.
37. Ніколи не беріться за акумулятор(и) або пилосос вологими руками.
38. Будьте особливо обережні під час прибирання на сходах.
39. Не використовуйте пилосос як стілець або верстат. В іншому випадку це може призвести до отримання травм унаслідок падіння пристрою.

Використання та обслуговування акумуляторних інструментів

1. Перезаряджайте акумулятор лише за допомогою зарядного пристрою, вказаного виробником. Зарядний пристрій, який підходить для одного типу акумуляторів, може призвести до пожежі при використанні з акумулятором іншого типу.

2. Використовуйте електроінструменти лише з акумуляторами того типу, який призначений саме для цих електроінструментів. Використання акумуляторів інших типів може призвести до отримання травм і виникнення пожежі.
3. Коли акумулятор не використовується, тримайте його подалі від таких металевих предметів, як скріпки, монети, металі, цвяхи, шурупи тощо, які можуть замкрити клемми акумулятора. Замикання клем акумулятора може призвести до отримання опіків або до пожежі.
4. За неналежних умов зберігання з акумулятора може витікати рідина, контакту з якою слід уникати. У разі випадкового потрапляння рідини на тіло відповідну частину тіла слід промити водою. Якщо рідина потрапила в очі, їх слід промити водою, після чого необхідно звернутися до лікаря. Рідина, що витікає з акумулятора, може спричинити подразнення або опіки.
5. Не користуйтеся акумулятором або інструментом, які було змінено чи пошкоджено. Експлуатація акумуляторів, що їх було пошкоджено або до конструкції яких було внесено зміни, може бути небезпечною і може спричинити пожежу, вибух або травму.
6. Не піддавайте акумулятор або інструмент впливу вогню чи надмірної температури. Вплив вогню або температури вище 130° C може спричинити вибух.
7. Дотримуйтесь усіх вказівок із заряджання й не заряджайте акумулятор або інструмент за температури за межами зазначеного в інструкції діапазону. Неправильне заряджання або заряджання за межами вказаного температурного діапазону може призвести до пошкодження акумулятора й підвищити небезпеку займання.

ЗБЕРІГАЙТЕ ЦІ ВКАЗІВКИ.

▲ПОПЕРЕДЖЕННЯ: НІКОЛИ НЕ втрачайте пильності та не розслабляйтеся під час користування виробом (що можливо при частому користуванні); обов'язково строго дотримуйтеся відповідних правил безпеки. **НЕНАЛЕЖНЕ ВИКОРИСТАННЯ** або недотримання правил техніки безпеки, викладених у цій інструкції з експлуатації, може призвести до серйозних травм.

Важливі інструкції з безпеки для касети з акумулятором

1. Перед тим як користуватися касетою з акумулятором, слід прочитати всі інструкції та застережні знаки щодо (1) зарядного пристрою акумулятора, (2) акумулятора та (3) виробів, що працюють від акумулятора.
2. Не розбирайте касету з акумулятором і не змінюйте її конструкцію. Це може призвести до пожежі, перегріву або вибуху.
3. Якщо період роботи дуже покоротшав, слід негайно припинити користування. Це може призвести до виникнення ризику перегріву, опіку та навіть вибуху.

4. У разі потрапляння електроліту в очі слід промити їх чистою водою та негайно звернутися до лікаря. Це може призвести до втрати зору.
5. Не закоротіть касету з акумулятором.
 - (1) Не слід торкатися клем будь-яким струмопровідним матеріалом.
 - (2) Не слід зберігати касету з акумулятором у ємності з іншими металевими предметами, такими як цвяхи, монети тощо.
 - (3) Не залишайте касету з акумулятором під дощем, запобігайте контакту з водою.

Коротке замикання може призвести до появи значного струму, перегріву, можливих опіків та навіть виходу з ладу.
6. Не слід зберігати й використовувати інструмент із касетою з акумулятором у місцях, де температура може сягнути чи перевищити 50 °C (122 °F).
7. Не слід спалювати касету з акумулятором, навіть якщо вона була неодноразово пошкоджена або повністю спрацьована. Касета з акумулятором може вибухнути у вогні.
8. Заборонено забивати цвяхи в касету з акумулятором, різати, ламати, кидати, впускати касету з акумулятором або вдаряти її твердим предметом. Це може призвести до пожежі, перегріву або вибуху.
9. Не слід використовувати пошкоджений акумулятор.
10. Літій-іонні акумулятори, що містяться в інструменті, мають відповідати вимогам законів про небезпечні товари.

Під час транспортування за допомогою комерційних перевезень, наприклад із залученням третьої сторони та експедиторів, необхідно дотримуватись особливих вимог, вказаних на пакуванні й у маркуванні.

Під час підготування позиції до відправлення необхідно проконсультуватись зі спеціалістом з небезпечних матеріалів. Крім того, слід виконувати більш докладні національні настанови, якщо такі є.

Заклейте відкриті контакти стрічкою або заховайте їх і запакуйте акумулятор таким чином, щоб він не міг рухатися в пакуванні.
11. Для утилізації касети з акумулятором витягніть її з інструмента та утилізуйте безпечним способом. Дотримуйтеся норм місцевого законодавства щодо утилізації акумуляторів.
12. Використовуйте акумулятори лише з виробами, указаними компанією Makita. Установлення акумуляторів у невідповідні виробы може призвести до пожежі, надмірного нагрівання, вибуху чи витоку електроліту.
13. Якщо інструментом не користуватимуться протягом тривалого періоду часу, вийміть акумулятор з інструмента.
14. Під час і після використання касета з акумулятором може нагріватися, що може стати причиною опіків або низькотемпературних опіків. Будьте обережні під час поводження з гарячою касетою з акумулятором.
15. Не торкайтеся контактів інструмента відразу після використання, оскільки він може бути досить гарячим, щоб викликати опіки.
16. Не допускайте, щоб уламки, пил або земля прилипали до контактів, отворів і пазів на касеті з акумулятором. Це може призвести до перегріву, займання, вибуху та виходу з ладу інструмента або касети з акумулятором і спричинити опіки або травми.
17. Якщо інструмент не розраховано на використання поблизу високовольтних ліній електропередач, не використовуйте касету з акумулятором поблизу високовольтних ліній електропередач. Це може призвести до несправності, поломки інструмента або касети з акумулятором.
18. Тримайте акумулятор у недоступному для дітей місці.

ЗБЕРІГАЙТЕ ЦІ ВКАЗІВКИ.

⚠ОБЕРЕЖНО: Використовуйте тільки акумулятори Makita. Використання акумуляторів, інших ніж оригінальні акумулятори Makita, або акумуляторів, конструкцію яких було змінено, може призвести до вибуху акумулятора і спричинити пожежу, травму або пошкодження. У зв'язку з цим також буде анульовано гарантію Makita на інструмент Makita і на зарядний пристрій.

Поради з забезпечення максимального строку експлуатації акумулятора

1. Касету з акумулятором слід заряджати до того, як він розрядиться повністю. Завжди слід зупиняти роботу інструмента та зарядити акумулятор, якщо ви помітили зменшення потужності інструмента.
2. Ніколи не слід заряджати повторно повністю заряджену касету з акумулятором. Перезарядження скорочує строк експлуатації акумулятора.
3. Заряджайте касету з акумулятором при кімнатній температурі 10°C - 40°C (50°F - 104°F). Перед тим як заряджати касету з акумулятором, слід зачекати, доки вона охолоне.
4. Коли касета з акумулятором не використовується, виймайте її з інструмента або зарядного пристрою.
5. Якщо касета з акумулятором не використовувалася тривалий час (понад шість місяців), її слід зарядити.

ОПИС ДЕТАЛЕЙ

- Рис.1: 1. Верхній блок 2. Поплавець
3. Поплавецький клапан 4. Тканинний фільтр 5. Бак

ОПИС РОБОТИ

⚠ ОБЕРЕЖНО: Перед регулюванням або перевіркою роботи приладу обов'язково переконатися, що прилад вимкнено, а касети з акумуляторами знято.

Встановлення та зняття касети з акумулятором

⚠ ОБЕРЕЖНО: Завжди вимикайте прилад перед встановленням або зняттям касет з акумуляторами.

⚠ ОБЕРЕЖНО: Під час встановлення або зняття касет з акумуляторами слід міцно тримати пилосос і касети з акумуляторами. Якщо цього не робити, вони можуть вислизнути з рук, що може призвести до пошкодження пилососа й касет з акумуляторами чи травмування оператора.

⚠ ОБЕРЕЖНО: Не затисніть пальці, коли відкриваєте або закриваєте кришку акумулятора. Невиконання цієї вимоги може призвести до отримання травм.

Пилосос має два гнізда акумулятора. Використання одразу двох акумуляторів дає змогу збільшити час роботи в одному чи кількох різних режимах, не припиняючи роботу для перезарядження. Пилосос також може працювати з одним акумулятором, тож ви можете використовувати його з одним чи двома акумуляторами залежно від своїх потреб.

► **Рис.2:** 1. Ліве гніздо акумулятора 2. Праве гніздо акумулятора

З двома акумуляторами

Використання режиму безперервної роботи з двома акумуляторами дає змогу збільшити час роботи й підвищити ефективність прибирання. Після того як перший акумулятор розрядиться, пилосос автоматично перейде на друге джерело живлення й продовжить працювати від другого акумулятора.

ПРИМІТКА: Ліве гніздо акумулятора (якщо дивитися на пилосос спереду) має пріоритет над правим гніздом акумулятора. Праве гніздо акумулятора використовуватиметься як джерело живлення лише в разі відсутності або розрядження акумулятора в лівому гнізді.

ПРИМІТКА: Після того як пилосос перемкнеться з лівого гнізда акумулятора на праве та почне використовувати як джерело живлення акумулятор у правому гнізді, ви зможете витягнути акумулятор із лівого гнізда й перезарядити його, не припиняючи роботу. Щоб знову зробити ліве гніздо акумулятора пріоритетним після встановлення в нього зарядженого акумулятора, перезапустіть пилосос.

З одним акумулятором

Для живлення пристрою вистачає лише одного акумулятора, встановленого в ліве чи праве гніздо акумулятора. Пилосос автоматично визначає, яке гніздо акумулятора доступне, виходячи з умов роботи.

Установлення й зняття

Щоб установити касети з акумуляторами, спершу зніміть блокування, а тоді відкрийте кришку акумуляторного відсіку. Потім вставте касети з акумуляторами.

► **Рис.3:** 1. Блокування 2. Кришка акумуляторного відсіку

Сумістіть виступи на касетах з акумуляторами з пазами в корпусі акумулятора й вставте касети на місце. Вставляйте касети до кінця, щоб вони зафіксувалися з легким клацанням.

У такому випадку заблокуйте кришку акумуляторного відсіку.

► **Рис.4:** 1. Касета з акумулятором 2. Кнопка

Щоб зняти касети з акумуляторами, витягніть їх із корпусу акумулятора, утримуючи натиснутими кнопки в передній частині касет.

⚠ ОБЕРЕЖНО: Установлюйте касету з акумулятором до упору. Якщо цього не зробити, касета може випадково випасти з приладу й завдати травм вам або людям, що перебувають поряд.











⚠ ОБЕРЕЖНО: Не встановлюйте касету з акумулятором із зусиллям. Якщо касета не вставляється легко, то це означає, що ви її неправильно вставляєте.

ПРИМІТКА: Під час перемикання пилососа з першого акумулятора на другий може виникнути тимчасова перерва в роботі, яка призведе до короткочасного припинення всмоктування. Це не є неполадкою; після цієї паузи пилосос одразу відновить роботу.

Відображення залишкового заряду акумулятора

Натисніть кнопку перевірки на касеті з акумулятором для відображення залишкового ресурсу акумулятора. Індикаторні лампи загоряться на кілька секунд.

► **Рис.5:** 1. Індикаторні лампи 2. Кнопка перевірки

Індикаторні лампи			Залишковий ресурс
 Горить	 Вимк.	 Блимає	
			від 75 до 100%
			від 50 до 75%
			від 25 до 50%
			від 0 до 25%
			Зарядіть акумулятор.
			Можливо, акумулятор вийшов з ладу.
			

ПРИМІТКА: Залежно від умов використання та температури оточуючого середовища показання можуть незначним чином відрізнятися від дійсного ресурсу.








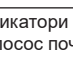
ПРИМІТКА: Перша (дальня ліва) індикаторна лампа блимає під час роботи захисної системи акумулятора.

Індикатори акумуляторів на панелі керування

Рівень заряду акумуляторів можна перевірити в будь-який момент на панелі керування. Натисніть кнопку перевірки, і правий та лівий індикатори покажуть рівень заряду відповідних акумуляторів.

► **Рис.6:** 1. Індикатори акумуляторів 2. Кнопка перевірки

► **Рис.7**

Стан індикатора акумулятора			Залишок заряду акумулятора
 Вимк.	 Вимк.	 Блимає	
			Від 50 до 100%
			Від 20 до 50%
			Від 0 до 20%
			Зарядіть акумулятор
			Акумулятор не вставлено

ПРИМІТКА: Індикатори акумуляторів також вмикаються, коли пилосос починає роботу чи перемикається з одного акумулятора на інший.

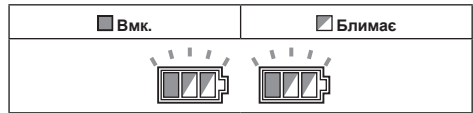
Система захисту приладу / акумулятора

Прилад оснащено системою захисту приладу / акумулятора. Ця система автоматично вмикає живлення двигуна з метою подовження терміну служби приладу й акумулятора. Прилад автоматично припиняє роботу в разі виникнення зазначених далі ситуацій із ним або акумулятором.

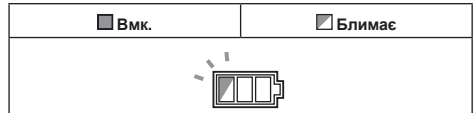
Захист від перевантаження

Якщо під час використання приладу / акумулятора споживається забагато струму, прилад автоматично зупиняється. У такому разі вимкніть прилад і припиніть роботу, що призвела до його перевантаження. Щоб перезапустити прилад, увімкніть його знову.

Захист від перегрівання



У разі перегрівання прилад автоматично зупиняється, а індикатори правого й лівого акумуляторів починають блимати. У такій ситуації зачекайте, доки прилад охолоне, перш ніж знову його ввімкнути.



У разі перегрівання акумулятора прилад автоматично зупиняється, а індикатор відповідного акумулятора починає блимати. У такій ситуації зачекайте, доки акумулятор охолоне, перш ніж знову ввімкнути прилад.

Захист від надмірного розрядження

Коли заряд акумулятора стає недостатнім для подальшої роботи, прилад автоматично припиняє роботу. Якщо прилад не працює після натискання вимикача, вийміть акумулятори з приладу й зарядіть їх.

Захист від інших неполадок

Система захисту також забезпечує захист від інших неполадок, які можуть призвести до пошкодження приладу, і забезпечує автоматичне зупинення приладу. У разі тимчасової зупинки або припинення роботи приладу виконайте всі зазначені нижче дії для усунення причини зупинки.

1. Вимкніть і знову ввімкніть прилад, щоб перезапустити його.
2. Зарядіть акумулятор(и) або замініть його(їх) зарядженим(и).
3. Дайте приладу й акумулятору (акумуляторам) охолонути.

Якщо після відновлення вихідного стану системи захисту ситуація не зміниться, зверніться до місцевого сервісного центру Makita.

Дія вимикача

Увімкнення пилососа

1. Установіть перемикач режиму очікування в положення «I» (УВІМК.), щоб перевести пилосос у режим очікування.
2. Натисніть кнопку живлення. Щоб повернутися в режим очікування, натисніть кнопку живлення ще раз.

Вимкнення пилососа

Виконайте одну із зазначених нижче дій.

- Натисніть кнопку живлення, щоб знову перевести пилосос у режим очікування, після чого встановіть перемикач режиму очікування в положення «O» (ВИМК.).
- Установіть перемикач режиму очікування в положення «O» (ВИМК.).

Регулювання потужності всмоктування

Силу всмоктування можна регулювати залежно від ваших потреб.

- Щоб зменшити силу всмоктування, поверніть ручку регулювання сили всмоктування вліво.
 - Щоб збільшити силу всмоктування, поверніть ручку регулювання сили всмоктування вправо.
- **Рис.8:** 1. Перемикач режиму очікування
2. Кнопка живлення 3. Ручка регулювання сили всмоктування

Зупинка автоматичного всмоктування під час всмоктування вологи

▲ПОПЕРЕДЖЕННЯ: Не використовуйте довгий час, коли працює поплавець. Тривале використання пирососа з працюючим поплавцем може спричинити перегрів і деформацію пирососа.

▲ПОПЕРЕДЖЕННЯ: Не збирайте пирососом піну або мильний розчин. Це може спричинити вихід піни з випускного отвору повітря до спрацювання поплавця. Тривале використання пирососа в такому стані може призвести до ураження електричним струмом і поломки пирососа.

Функція зупинки автоматичного всмоктування працює лише в разі використання пирососа з поплавцем і поплавцевим клапаном.

Пиросос має поплавковий механізм, який запобігає проникненню води у двигун під час усмоктування води, кількість якої перевищує визначену. Коли бак заповниться, а пиросос більше не збиратиме воду, вимкніть пиросос і спорожніть бак.

Блокування й розблокування коліщаток

Задні коліщатка можна заблокувати за допомогою стопорів, щоб запобігти пересуванню пирососа. Опустіть вручну стопорний важіль, щоб заблокувати коліщатко, або підніміть його, щоб зняти блокування.

- **Рис.9:** 1. Коліщатко 2. Стопорний важіль
3. Положення FREE 4. Положення LOCK

ПРИМІТКА: Перед пересуванням пирососа слід переконаватися, що коліщатко розблоковане. Пересування пирососа із заблокованим коліщатком може пошкодити коліщатко.

Ручка для перенесення

▲ОБЕРЕЖНО: Будьте обережні під час підйому й перенесення приладу. Недотримання цієї вимоги може призвести до травми або пошкодження приладу.

Переносячи пиросос, тримайте його за ручку на верхньому блоці. Коли ручка не використовується, її можна прибрати у верхній блок.

- **Рис.10**

ЗБОРКА

▲ОБЕРЕЖНО: Перш ніж проводити будь-які роботи з приладом, вимкніть його й витягніть касети з акумуляторами.

▲ОБЕРЕЖНО: Завжди вдягайте пилозахисну маску під час збирання або технічного обслуговування.

Установлення порошкового фільтра (HEPA) та фільтра попереднього очищення (для сухого пилу)

Додаткове приладдя

▲ОБЕРЕЖНО: Ніколи не збирайте воду або іншу рідину чи вологий пил, якщо використовуєте порошковий фільтр. Це може призвести до пошкодження мішка порошкового фільтра.

Щоб скористатися порошковим фільтром:

1. Відкрутіть гвинти, якими кріпиться поплавцевий клапан, після чого витягніть гвинти, поплавцевий клапан і поплавець із верхнього блока.
► **Рис.11:** 1. Гвинт 2. Поплавцевий клапан
3. Поплавець 4. Верхній блок

2. Витягніть тканинний фільтр із бака.

- **Рис.12:** 1. Тканинний фільтр 2. Бак

3. Установіть фільтр попереднього очищення в бак, сумістивши позначки монтажного положення на фільтрі попереднього очищення з позначками на баку.

4. Установіть демпфер на фільтр попереднього очищення, після чого встановіть порошковий фільтр на демпфер, сумістивши позначки монтажного положення на порошковому фільтрі й фільтрі попереднього очищення.

5. Установіть верхній блок над баком і зафіксуйте їх за допомогою фіксаторів.

- **Рис.13:** 1. Верхній блок 2. Порошковий фільтр (HEPA) 3. Демпфер 4. Фільтр попереднього очищення 5. Бак 6. Маркування монтажного положення

УВАГА: Перед використанням порошкового фільтра слід перевіряти, щоб фільтр попередньої очистки та глушник використовувалися разом. Заборонено встановлювати тільки порошковий фільтр.

Установлення водяного фільтра

Додаткове приладдя

УВАГА: Ніколи не збирайте воду або вологий пил без поплавця та тканинного фільтра чи водяного фільтра.

УВАГА: Щоб зібрати вологий пил, переконайтеся, що в пілососі встановлено поплавцевий клапан і поплавець.

УВАГА: Установіть водяний фільтр щільно на отворі баку так, щоб гак водяного фільтра міцно зачепився за отвір бака та щоб між фільтром і баком не було проміжку.

Для збирання лише води та вологого пилу краще використовувати водяний фільтр, ніж тканинний. Установлюючи водяний фільтр, сумістіть його маркування монтажного положення з позначками на баку.

► **Рис.14:** 1. Водяний фільтр 2. Бак 3. Маркування монтажного положення

ПРИМІТКА: Якщо потрібно систематично збирати велику кількість води, рекомендовано використовувати водяний фільтр. Інакше в разі використання тканинного фільтра всмоктувальна здатність може впасти.

Установлення паперового пакета

Додаткове приладдя

▲ ПОПЕРЕДЖЕННЯ: Перед використанням паперового пакета переконайтеся в тому, що тканинний фільтр або фільтр попереднього очищення встановлено. Невикористання тканинного фільтра / фільтра попереднього очищення може спричинити незвичайний шум і нагрівання, що може призвести до займання.

УВАГА: Ніколи не збирайте пілососом воду, іншу рідину або вологий пил, якщо використовуєте паперовий пакет. Всмоктування цих речовин може призвести до пошкодження паперового пакета.

УВАГА: Під час використання тканинного фільтра переконайтеся в тому, що поплавець і поплавцевий клапан прикріплено до верхнього блока.

УВАГА: Під час використання фільтра попереднього очищення переконайтеся в тому, що порошковий фільтр і демпфер встановлені.

1. Розгорніть паперовий пакет.
 2. Розташуйте отвір паперового пакета навпроти отвору для всмоктування пилу бака.
 3. Установіть паперовий пакет у бак, зачепивши картону панель з отвором за тримач паперового пакета.
- **Рис.15:** 1. Паперовий пакет 2. Картонна панель з отвором 3. Тримач паперового пакета 4. Отвір для всмоктування пилу

Установлення поліетиленового мішка

Установивши в бак поліетиленовий мішок, ви зможете легко випорожнити бак, не забруднивши рук.

Розкладіть поліетиленовий мішок у баку та вставте верхній край мішка з одного боку між пластиною тримача й передньою стінкою бака.

► **Рис.16:** 1. Пластина тримача 2. Передня стінка бака 3. Поліетиленовий мішок

Розгорніть верхні краї мішка назовні поверх верхніх країв бака. Установіть тканинний фільтр або фільтр попереднього очищення поверх поліетиленового мішка, щоб надійно зафіксувати горловину мішка.

► **Рис.17:** 1. Тканинний фільтр / фільтр попередньої очистки

ПРИМІТКА: Можна використовувати поліетиленові мішки, наявні в продажі. Рекомендуються мішки товщиною принаймні 0,04 мм.

ПРИМІТКА: Занадто велика кількість пилу може легко розірвати мішок, тому не збирайте пилу більше, ніж половина ємності мішка.

Випорожнення бака з поліетиленовим мішком

▲ ПОПЕРЕДЖЕННЯ: Перед випорожненням бака обов'язково переконайтеся, що пілосос вимкнено, а касети з акумуляторами витягнута. Недотримання цих правил може призвести до ураження струмом і тяжких травм.

УВАГА: Уникайте надмірного навантаження на поплавцевий клапан і бак. Надмірне навантаження може спричинити деформацію та пошкодження деталей.

УВАГА: Спорожнюйте бак хоча б один раз на день, хоча це залежить від кількості зібраного пилу в баку. Інакше зменшиться сила всмоктування та може вийти з ладу двигун.

УВАГА: Під час випорожнення бака не хапайтеся за гачки чи фіксатори. Якщо триматися за гачки або фіксатори, їх можна зламати.

Відкрийте фіксатори й зніміть верхній блок із бака. Струсіть пил із тканинного фільтра або фільтра попереднього очищення, перш ніж підняти фільтр і витягнути його з бака.

Потім витягніть із бака поліетиленовий мішок, оповивши рукою його горловину.

► **Рис.18:** 1. Поліетиленовий мішок 2. Бак

ПРИМІТКА: Виймайте поліетиленовий мішок із бака обережно, щоб не зачепитися за виступи всередині бака й не розірвати мішок.

ПРИМІТКА: Спорожнюйте поліетиленовий мішок до того, як він заповниться. Від надмірної кількості пилу в баку поліетиленовий мішок може порватися.

Установлення універсального тримача

Використання універсального тримача для закріплення шланга, приладдя й насадок, коли вони не використовуються, дає змогу швидко виймати потрібні частини, коли в них виникне потреба.

► **Рис.19**

Установіть універсальний тримач на монтажну основу ззаду пілососа, сумістивши напрямні універсального тримача з пазами на монтажній основі.

► **Рис.20:** 1. Універсальний тримач 2. Монтажна основа

Установлення перехідника МАКРАС

Додаткове приладдя

За допомогою додаткового перехідника на пілосос можна ставити контейнери для зберігання МАКРАС, які можна з'єднувати між собою й укладати в штабелі. Ви можете придбати контейнери різних типів і розмірів, виходячи з власних потреб.

Надягніть монтажну накладку на ручку пілососа так, щоб після складання ручки в закрите положення монтажна поверхня була повернута догори.

► **Рис.21:** 1. Монтажна накладка 2. Монтажна поверхня 3. Ручка

Установіть перехідник МАКРАС на монтажну накладку й з'єднайте їх за допомогою чотирьох гвинтів, що входять до комплекту постачання.

► **Рис.22:** 1. Перехідник МАКРАС 2. Монтажна накладка 3. Гвинт

Перед установленням контейнерів МАКРАС на пілосос підніміть транспортувальну ручку й затягніть круглу ручку.

► **Рис.23:** 1. Транспортувальна ручка 2. Кругла ручка

ПРИМІТКА: Докладні відомості про встановлення контейнерів МАКРАС наведено в інструкціях до контейнерів і перехідника МАКРАС.

Установлення шланга

УВАГА: Ніколи не згинайте шланг, застосовуючи надмірну силу, і не ставайте на нього ногами. Ніколи не пересувайте пілосос, тримаючи його за шланг. Ви можете пошкодити або деформувати шланг, застосовуючи до нього надмірну силу, наступаючи на нього або тягнути за нього.

УВАГА: Під час усмоктування сміття, що містить великі частки, на кшталт деревних стружок, бетонного пилу тощо, використовуйте шланг із внутрішнім діаметром 38 мм (додаткове приладдя). Шланг із внутрішнім діаметром 28 мм (додаткове приладдя) може засмітитися або зазнати ушкоджень.

Приєднання до пілососа

Вставте кінець шланга в отвір для всмоктування пилу (вхідний отвір для шланга) пілососа й поверніть за годинниковою стрілкою до фіксації.

► **Рис.24:** 1. Шланг 2. Отвір для всмоктування пилу (вхідний отвір для шланга)

З'єднання з робочими інструментами (залежно від країни)

Приєднавши пілосос до сумісних електроінструментів, його можна використовувати для видалення пилу під час роботи із цими інструментами.

Виберіть передню манжету чи муфту (додаткове приладдя), яка найкраще підходить до вашої моделі інструмента. Установіть передню манжету чи муфту, якщо потрібно, між переднім кінцем шланга пілососа й отвором для видалення пилу інструмента.

► **Рис.25:** 1. Передня манжета або муфта 2. Шланг пілососа 3. Електроінструмент 4. Пілосос

Установлення або видалення насадок пілососа

⚠ОБЕРЕЖНО: Після встановлення насадки переконайтеся в надійності її кріплення. У разі неправильного встановлення насадки вона може зіскочити й нанести травму.

Під час використання насадки без фіксації

Додаткове приладдя

Вставте насадку в отвір усмоктування пілососа і вкрутіть її вручну.

Після використання відкрутіть насадку вручну й витягніть її з отвору усмоктування.

► **Рис.26**

Насадки з фіксацією

Додаткове приладдя

УВАГА: Під час установлення насадки з фіксацією зіставте кнопку розблокування з гачком на насадці. Якщо вони не зіставлені, насадку не буде зафіксовано, через що вона може зіскочити з пілососа.

Вставте насадку в отвір усмоктування пілососа до клацання.

Щоб від'єднати насадку, витягніть її, утримуючи натиснутою кнопку розблокування.

► **Рис.27:** 1. Отвір усмоктування з фіксацією 2. Кнопка розблокування 3. Насадка з фіксацією

ПРИМІТКА: Насадку з фіксацією можна встановити лише в отвір усмоктування з фіксацією.

► **Рис.28:** 1. Насадка з фіксацією 2. Отвір усмоктування з фіксацією 3. Отвір усмоктування без фіксації

Регулювання довжини розсувного подовжувача

Додаткове приладдя

Розсувний подовжувач дає змогу регулювати довжину насадки. Це дає змогу прибирати у важкодоступних місцях і розташовувати пиросос у зручному положенні.

Щоб змінити довжину подовжувача, витягніть або засуньте назад висувну трубу, утримуючи натиснутою кнопку регулювання довжини.

Щоб зафіксувати висувну трубу в потрібному положенні, відпустіть кнопку регулювання довжини.

► **Рис.29:** 1. Висувна труба 2. Кнопка регулювання довжини

ТЕХНІЧНЕ ОБСЛУГОВУВАННЯ

⚠ ОБЕРЕЖНО: Перед виконанням огляду або обслуговування завжди вимикайте прилад і виймайте касети з акумуляторами.

УВАГА: Ніколи не використовуйте газолін, бензин, розріджувач, спирт та подібні речовини. Їх використання може призвести до зміни кольору, деформації або появи тріщин.

Для забезпечення БЕЗПЕКИ та НАДІЙНОСТІ продукції, її ремонт, а також роботи з обслуговування або регулювання повинні виконуватись уповноваженими або заводськими сервісними центрами Makita із використанням запчастин виробництва компанії Makita.

Зберігання приладдя

Приладдя й насадки, які наразі не використовуються, як-от щітки чи насадки-розпилювачі, можна закріпити в універсальному тримачі ззаду пирососа.

► **Рис.30:** 1. Універсальний тримач 2. Приладдя й насадки, які не використовуються

Труби (з установленим додатковим обмежувачем) можна вставляти в тримач труби, якщо треба зробити невеличку перерву в роботі пирососа.

► **Рис.31:** 1. Обмежувач (додаткове приладдя) 2. Тримач труби

Шланг можна намотати на корпус або ручку пирососа великими кільцями. З'єднайте кінці шланга між собою, щоб отримати кільця, і надягніть ці кільця на підняту ручку. Ви також можете не виймати шланг із вхідного отвору для шланга й покласти кільця шланга на універсальний тримач, закріпивши вільний кінець.

► **Рис.32**

► **Рис.33**

Чищення тканинного фільтра

Регулярно очищайте тканинний фільтр, оскільки його засмічення може негативно вплинути на силу всмоктування. Час від часу витирайте тканинний фільтр вручну й струшуйте з нього пил.

► **Рис.34:** 1. Тканинний фільтр

Чищення порошкового фільтра (HEPA) та фільтра попередньої очистки

Додаткове приладдя

Регулярно очищайте порошок фільтр, фільтр попереднього очищення й демпфер, оскільки засмічення фільтрів і демпфера може негативно вплинути на силу всмоктування.

Регулярно витирайте фільтри й демпфер і струшуйте з них пил вручну.

Час від часу мийте порошок фільтр у воді, полощіть і ретельно висушуйте його в затінку перед використанням. Ніколи не перть фільтри в пральній машині.

► **Рис.35**

ПРИМІТКА: Не тріть і не дряпайте порошок фільтр, фільтр попередньої очистки чи глушник твердими предметами, такими як щітка та лопатка.

ПРИМІТКА: З часом фільтри зношуються. Рекомендовано мати кілька запасних фільтрів.

ДОДАТКОВЕ ПРИЛАДДЯ

⚠ ОБЕРЕЖНО: Це додаткове та допоміжне обладнання рекомендовано використовувати з інструментом Makita, зазначеним у цій інструкції з експлуатації. Використання будь-якого іншого додаткового та допоміжного обладнання може становити небезпеку травмування. Використовуйте додаткове та допоміжне обладнання лише за призначенням.

У разі необхідності отримати допомогу в більш детальному ознайомленні з оснащенням звертайтесь до місцевого сервісного центру Makita.

- Шланг
- Передні манжети (22, 24, 38)
- Пряма труба
- Подовжувач
- Кутувий штуцер
- Кругла щітка
- Порошковий фільтр, HEPA (для сухого пилу)
- Глушник
- Фільтр попередньої очистки
- Водяний фільтр
- Тканинний фільтр
- Вузол штуцера
- Зігнута труба
- Поліетиленовий мішок
- Паперовий пакет
- Перехідник МАКРАС
- Оригінальний акумулятор та зарядний пристрій Makita

ПРИМІТКА: Деякі елементи списку можуть входити до комплекту інструмента як стандартне приладдя. Вони можуть відрізнятися залежно від країни.

AVERTIZARE

- Acest aparat nu este destinat utilizării de către persoane, inclusiv copii, cu capacități fizice, senzoriale sau mentale reduse sau cu lipsă de experiență și cunoștințe.
- Copiii trebuie supravegheați pentru a vă asigura că nu se joacă cu aspiratorul.
- Consultați capitolul „SPECIFICAȚII” pentru referința tipului de acumulator.
- Consultați secțiunea „Instalarea sau scoaterea cartușului acumulatorului” pentru modul de scoatere sau de instalare a acumulatorului.
- Atunci când eliminați la deșeuri cartușul acumulatorului, scoateți-l din mașină și eliminați-l într-un loc sigur. Respectați normele dumneavoastră locale privind eliminarea la deșeuri a acumulatorului.
- Dacă mașina nu este utilizată o perioadă lungă de timp, acumulatorul trebuie scos din aceasta.
- Nu scurtcircuitați cartușul acumulatorului.
- Consultați capitolul „ÎNTREȚINERE” pentru detaliile necesare privind precauțiile în timpul lucrărilor de întreținere efectuate de utilizator.

SPECIFICAȚII

Model:	VC001GL	VC003GL
Filtru de tip standard	Filtru din material textil (pentru praf uscat și umed)	
Volum maxim de aer (cu furtun BL4040, ø32 mm x 1,7 m)	2,7 m ³ /min	
Aspirare (cu furtun BL4040, ø32 mm x 1,7 m)	23 kPa	
Capacitate recuperabilă	Praf	8 L
	Apă	6 L
		15 L
		12 L
Dimensiuni (L x l x H)	366 mm x 334 mm x 425 mm	366 mm x 334 mm x 475 mm
Tensiune nominală	Max. 36 V - 40 V cc.	
Greutate netă	8,1 - 11,2 kg	8,4 - 11,5 kg
Grad de protecție	IPX4	

- Datorită programului nostru continuu de cercetare și dezvoltare, specificațiile pot fi modificate fără o notificare prealabilă.
- Specificațiile și cartușul acumulatorului pot diferi de la țară la țară.
- Greutatea nu include accesoriile, ci cartușul(ele) acumulatorului. Greutatea combinată cea mai mică și cea mai mare a aparatului și a cartușului(elor) acumulatorului sunt prezentate în tabel.
- Pentru praful umed, sunt necesare flotorul și filtrul de apă sau filtrul din material textil.

Cartușul acumulatorului și încărcătorul aplicabile

Cartușul acumulatorului	BL4020 / BL4025 / BL4040* / BL4050F* / BL4080F* * : Acumulator recomandat
Încărcător	DC40RA / DC40RB / DC40RC

- Este posibil ca unele cartușe ale acumulatorilor și încărcătoare menționate mai sus să nu fie disponibile în funcție de regiunea dvs. de reședință.

⚠️ AVERTIZARE: Utilizați numai cartușele de acumulator și încărcătoarele enumerate mai sus. Utilizarea oricăror altor cartușe de acumulator și încărcătoare poate duce la rănire și/sau incendiu.

Simboluri

Mai jos sunt prezentate simbolurile care pot fi utilizate pentru echipament. Asigurați-vă că înțelegeți sensul acestora înainte de utilizare.



Citiți manualul de utilizare.



Acordați atenție și grijă deosebită.



Avertizare! Aspiratorul poate conține praf periculos.



Nu stați niciodată pe aspirator.



Clasă de praf L (ușor). Aspiratoarele au capacitatea de a colecta praf de clasă L. Respectați normele naționale referitoare la praf și la sănătatea și siguranța profesională.



Doar pentru țările din cadrul UE
Din cauza prezenței componentelor periculoase în echipament, deșeurile de echipamente electrice și electronice, acumulatorii și bateriile pot avea un efect negativ asupra mediului și sănătății umane.

Nu eliminați aparatele electrice și electronice sau bateriile împreună cu gunoiul menajer!

În conformitate cu Directiva europeană privind deșeurile de echipamente electrice și electronice, acumulatorii, bateriile și deșeurile de acumulatori și baterii, precum și cu adaptarea sa în legislația națională, deșeurile de echipamente electrice, de baterii și de acumulatori trebuie depozitate separat și eliminate la un centru de colectare separat pentru deșeurile municipale, care respectă reglementările privind protecția mediului.

Acest lucru este indicat prin simbolul care reprezintă o pubea cu roți barată cu o cruce, aplicat pe echipament.

Destinația de utilizare

Aparatul este destinat colectării prafului uscat și umed. Acest aparat este potrivit pentru uz comercial, de exemplu, în hoteluri, școli, spitale, fabrici, magazine, birouri și în societăți de închiriere.

Zgomot

Nivelul de zgomot normal ponderat A determinat în conformitate cu EN60335-2-69:

Model VC001GL

Nivel de presiune acustică (L_{pA}): 70 dB(A) sau mai puțin
Marjă de eroare (K): 2,5 dB(A)

Model VC003GL

Nivel de presiune acustică (L_{pA}): 70 dB(A) sau mai puțin
Marjă de eroare (K): 2,5 dB(A)

Nivelul de zgomot în timpul funcționării poate depăși 80 dB (A).

NOTĂ: Valoarea (valorile) totală(e) a (ale) emisiilor de zgomot declarate a(u) fost măsurată(e) în conformitate cu o metodă de test standard și poate (pot) fi utilizată(e) pentru compararea unei uneelte cu alta.

NOTĂ: Valoarea (valorile) totală(e) a (ale) emisiilor de zgomot declarate poate (pot) fi, de asemenea, utilizată(e) într-o evaluare preliminară a expunerii.

⚠️ AVERTIZARE: Purtați echipament de protecție pentru urechi.

⚠️ AVERTIZARE: Emisiile de zgomot în timpul utilizării efective a unelei electrice poate diferi de valoarea (valorile) nivelului declarat, în funcție de modul în care unealta este utilizată, în special ce fel de piesă este prelucrată.

⚠️ AVERTIZARE: Asigurați-vă că identificați măsurile de siguranță pentru a proteja operatorul, acestea fiind bazate pe o estimare a expunerii în condiții reale de utilizare (luând în considerare toate părțile ciclului de operare, precum timpii în care unealta a fost oprită, sau a funcționat în gol, pe lângă timpul de declanșare).

Vibrații

Valoarea totală a vibrațiilor (suma vectorilor tri-axiali) determinată conform EN60335-2-69:

Model VC001GL

Emisie de vibrații ($a_{h,M}$): 2,5 m/s² sau mai puțin
Marjă de eroare (K): 1,5 m/s²

Model VC003GL

Emisie de vibrații ($a_{h,M}$): 2,5 m/s² sau mai puțin
Marjă de eroare (K): 1,5 m/s²

NOTĂ: Valoarea (valorile) totală(e) a (ale) nivelului de vibrații declarat a (au) fost măsurată(e) în conformitate cu o metodă de test standard și poate (pot) fi utilizată(e) pentru compararea unei uneelte cu alta.

NOTĂ: Valoarea (valorile) totală(e) a (ale) nivelului de vibrații declarat poate (pot) fi, de asemenea, utilizată(e) într-o evaluare preliminară a expunerii.

⚠️ AVERTIZARE: Nivelul de vibrații în timpul utilizării efective a unelei electrice poate diferi de valoarea (valorile) nivelului declarat, în funcție de modul în care unealta este utilizată, în special ce fel de piesă este prelucrată.

⚠️ AVERTIZARE: Asigurați-vă că identificați măsurile de siguranță pentru a proteja operatorul, acestea fiind bazate pe o estimare a expunerii în condiții reale de utilizare (luând în considerare toate părțile ciclului de operare, precum timpii în care unealta a fost oprită, sau a funcționat în gol, pe lângă timpul de declanșare).

Declarație de conformitate CE

Numai pentru țările europene

Declarația de conformitate CE este inclusă ca Anexa A în acest manual de instrucțiuni.

AVERTIZĂRI DE SIGURANȚĂ

Avertismente privind siguranța pentru aspiratorul fără cablu

⚠️ AVERTIZARE: IMPORTANT CITIȚI CU ATENȚIE toate avertizările de siguranță și toate instrucțiunile ÎNAINTE DE UTILIZARE. Nerespectarea acestor avertismente și instrucțiuni poate avea ca rezultat electrocutarea, incendiul și/ sau rănirea gravă.

1. Înainte de utilizare, asigurați-vă că aspiratorul va fi utilizat de persoane care au fost instruite în mod adecvat în ceea ce privește utilizarea acestuia.
2. Înaintea întrebuirii, operatorii vor primi informații, instrucțiuni și instruire privind folosirea dispozitivului și a substanțelor pentru care urmează să fie utilizat, inclusiv metoda de scoatere și eliminare în condiții de siguranță a materialului colectat.

3. În cazul scurgerilor de spumă/lichid, opriți aparatul imediat.
4. Curățați periodic dispozitivul de limitare a nivelului de apă și verificați dacă prezintă semne de deteriorare.
5. Asigurați-vă întotdeauna că filtrele sunt instalate corect înainte de utilizare. Nu utilizați aspiratorul fără filtre montate. Înlocuiți imediat filtrul, dacă acesta este deteriorat. Se recomandă să aveți câteva piese de schimb, deoarece filtrele sunt articole consumabile.
6. **EVITAȚI PORNIREA ACCIDENTALĂ.** Asigurați-vă că comutatorul este OPRIT înainte de a instala acumulatorul (acumulatorii).
7. Nu încercați să colectați materiale inflamabile, artificii, țigări aprinse, cenușă fierbinte, așchii de metal fierbinți, materiale ascuțite precum lame, ace, sticlă spartă sau altele asemenea.
8. **NU UTILIZAȚI NICIODATĂ ASPIRATORUL ÎN APROPIEREA BENZINEI, GAZELOR, VOPSELELOR, ADEZIVILOR SAU ALTOR SUBSTANȚE EXTREM DE EXPLOZIVE.** Înteruptorul emite scântei atunci când este PORNIT sau OPRIT. La fel și comutatorul motorului în timpul operării. Poate rezulta o explozie periculoasă.
9. Nu aspirați niciodată materiale toxice, cancerigene, combustibile sau periculoase precum azbest, arsenic, bariu, beriliu, plumb, pesticide sau alte materiale periculoase pentru sănătate.
10. Poziționați întotdeauna aspiratorul pe o suprafață plană orizontală pentru a preveni căderea sau mișcarea accidentală a acestuia.
11. Nu utilizați niciodată aspiratorul în exterior, în ploaie.
12. În Finlanda, această mașină nu trebuie utilizată la exterior, la temperatură scăzută.
13. Nu utilizați în apropierea surselor de căldură (sobe etc.).
14. Dacă aerul evacuat se întoarce în încăpere, este necesar să existe o rată corespunzătoare de recirculare a aerului în încăpere. Este necesar să se consulte reglementările naționale.
15. Nu blocați orificiul de aspirație/orificiul de evacuare/orificiile de ventilație care asigură răcirea. Aceste orificii permit răcirea motorului. Blocarea trebuie evitată cu atenție; altfel, motorul se va arde din cauza lipsei ventilației.
16. Mențineți-vă permanent echilibrul și sprijiniți-vă ferm pe picioare.
17. Nu pliați, nu trageți și nu călcați pe furtun.
18. Opriți aspiratorul imediat dacă performanțele acestuia se reduc sau dacă observați orice anomalitate în timpul operării.
19. **SCOATEȚI ACUMULATORUL (ACUMULATORII).** Când nu este utilizat, înainte de service și la schimbarea accesoriilor.
20. Curățați și efectuați întreținerea aspiratorului imediat după fiecare utilizare pentru a-l păstra într-o stare de funcționare cât mai bună.
21. **ÎNGRIJIȚI ASPIRATORUL.** Păstrați aspiratorul curat pentru o operare cât mai bună și sigură. Respectați instrucțiunile pentru schimbarea accesoriilor. Asigurați-vă că mânerul este uscat, curat și fără ulei sau unsoare.
22. **VERIFICAȚI PENTRU A IDENTIFICA EVENTUALELE COMPONENTE DEFECTE.** Înainte de a continua utilizarea aspiratorului, trebuie să verificați cu atenție dispozitivele de protecție sau alte componente care sunt deteriorate, pentru a stabili dacă aspiratorul va funcționa în mod corespunzător. Verificați alinierea componentelor mobile, funcționarea liberă a componentelor mobile, starea fizică a componentelor, montarea sau orice altă stare care ar putea afecta operarea acestuia. Dispozitivele de protecție și orice altă componentă care este deteriorată trebuie să fie reparate în mod corespunzător de către un atelier de service autorizat, cu excepția cazurilor în care se stipulează în mod diferit într-o altă secțiune a acestui manual de instrucțiuni. Reparați întrerupătoarele defecte în cadrul unui centru de service autorizat. Nu utilizați aspiratorul dacă nu îl puteți porni sau opri de la întrerupător.
23. Pentru efectuarea lucrărilor de service de către utilizator, mașina trebuie demontată, curățată și supusă lucrărilor de service în măsura în care acest lucru este posibil din punct de vedere rezonabil, fără ca personalul de întreținere sau alte persoane să fie supuse vreunui risc.
24. Dispozitivul trebuie inspectat din punct de vedere tehnic de către producător sau o persoană instruită, cel puțin o dată pe an, iar inspecția trebuie să includă, de exemplu, verificarea filtrelor pentru a detecta eventualele deteriorări, verificarea etanșeității la aer a dispozitivului și funcționarea corespunzătoare a mecanismului de comandă.
25. Atunci când efectuați intervenții de service sau reparație, toate elementele contaminate care nu pot fi curățate în mod satisfăcător trebuie eliminate; respectivele elemente trebuie eliminate utilizând saci impermeabili, în conformitate cu toate reglementările curente privind eliminarea acestui tip de deșeurii.
26. **PIESE DE SCHIMB.** La efectuarea operațiilor de service, utilizați numai piese de schimb identice cu cele înlocuite.
27. **DEPOZIȚAȚI ASPIRATORUL ATUNCI CÂND NU ESTE UTILIZAT.** Atunci când nu este utilizat, aspiratorul trebuie depozitat în spații închise.
28. Filtrele umede și partea interioară a recipientului pentru lichide trebuie uscate înainte de depozitare.
29. Utilizați cu grijă aspiratorul. O manipulare neatență poate cauza defectarea chiar și a celui mai rezistent aspirator.
30. Nu încercați să curățați exteriorul sau interiorul cu benzină, diluant sau alte substanțe chimice de curățare. Pot apărea fisuri și decolorare.
31. Nu utilizați aspiratorul într-un spațiu închis în care vapori inflamabili, explozivi sau toxici sunt emanați de vopsea pe bază de ulei, benzină, unele substanțe de tratare chimică împotriva molii etc. sau în zone în care este prezent praf inflamabil.

32. Nu utilizați acest aspirator sau orice altă unealtă atunci când vă aflați sub influența medicamentelor sau alcoolului.
33. Ca regulă de bază de siguranță, utilizați ochelari de protecție sau ochelari de protecție cu apărători laterale.
34. Utilizați o mască de praf în condiții de lucru cu praf.
35. Acest aparat nu este destinat utilizării de către persoane, inclusiv copii, cu capacități fizice, senzoriale sau mentale reduse sau cu lipsă de experiență și cunoștințe.
36. Copiii trebuie supravegheați pentru a vă asigura că nu se joacă cu aspiratorul.
37. Nu manipulați niciodată acumulatorul (acumulatorii) și aspiratorul cu mâinile ude.
38. Acordați o atenție specială la curățarea pe trepte.
39. Nu utilizați aspiratorul pe post de scaun sau ca banc de lucru. Acesta poate cădea, cauzând accidentări.

Utilizarea și îngrijirea acumulatorului mașinii

1. Efectuați reîncărcarea numai cu încărcătorul specificat de producător. Un încărcător adecvat pentru un anumit tip de acumulator poate prezenta risc de incendiu dacă este utilizat cu alt tip de acumulator.
2. Folosiți mașinile electrice numai cu acumulatorii speciați pentru acestea. Utilizarea altor acumulatori poate prezenta risc de rănire și de incendiu.
3. Când nu folosiți cartușul de acumulatori, țineți-l la distanță de obiecte metalice precum agrafe de birou, monede, chei, cuie, șuruburi sau alte obiecte metalice mici, ce pot constitui o legătură între cele două borne. Scurtcircuitarea bornelor acumulatorului poate provoca arsuri sau incendii.
4. În condiții extreme, lichidul poate fi eliminat din acumulator; evitați contactul cu acesta. Dacă intrați în contact accidental, clătiți bine cu apă zona afectată. Dacă lichidul intră în contact cu ochii, consultați și un medic. Lichidul eliminat din acumulator poate provoca iritații sau arsuri.
5. Nu utilizați un acumulator sau o unealtă care este avariată sau modificată. Bateriile avariate sau modificate pot prezenta comportament imprevizibil ce poate cauza incendii, explozii sau risc de rănire.
6. Nu expuneți un acumulator sau o unealtă la foc sau la temperaturi excesive. Expunerea la foc sau la temperaturi mai mari de 130 °C poate cauza explozii.
7. Urmați toate instrucțiunile de încărcare și nu încărcați acumulatorul sau unealta la temperaturi din afara intervalului specificat în instrucțiuni. Încărcarea incorectă sau la temperaturi din afara intervalului specificat poate cauza deteriorarea bateriei și creșterea riscului de incendiu.

PĂSTRAȚI ACESTE INSTRUCȚIUNI.

⚠️ AVERTIZARE: NU permiteți comodității și familiarizării cu produsul (obținute prin utilizare repetată) să înlocuiască respectarea strictă a normelor de securitate pentru acest produs. **FOLOSIREA INCORECTĂ** sau nerespectarea normelor de securitate din acest manual de instrucțiuni poate provoca vătămări corporale grave.

Instrucțiuni importante privind siguranța pentru cartușul acumulatorului

1. Înainte de a folosi cartușul acumulatorului, citiți toate instrucțiunile și atenționările de pe (1) încărcătorul acumulatorului, (2) acumulator și (3) produsul care folosește acumulatorul.
2. Nu dezasamblați și nu interveniți asupra cartușului acumulatorului. Acest lucru poate cauza incendii, căldură excesivă sau explozii.
3. Dacă timpul de funcționare s-a redus excesiv, întrerupeți imediat funcționarea. Aceasta poate prezenta risc de supraîncălzire, posibile arsuri și chiar explozie.
4. Dacă electrolitul pătrunde în ochi, clătiți bine ochii cu apă curată și consultați imediat un medic. Există risc de orbire.
5. Nu scurtcircuitați cartușul acumulatorului:
 - (1) Nu atingeți bornele cu niciun material conductor.
 - (2) Evitați depozitarea cartușului acumulatorului la un loc cu alte obiecte metalice cum ar fi cuie, monede etc.
 - (3) Nu expuneți cartușul acumulatorului la apă sau ploaie.

Un scurtcircuit al acumulatorului poate provoca un flux puternic de curent electric, supraîncălzire, posibile arsuri și chiar defectarea mașinii.

6. Nu depozitați și nu utilizați mașina și cartușul acumulatorului în locuri în care temperatura poate atinge sau depăși 50 °C (122 °F).
 7. Nu incinerati cartușul acumulatorului chiar dacă acesta este grav deteriorat sau complet uzat. Cartușul acumulatorului poate exploda în foc.
 8. Nu introduceți cuie în cartușul acumulatorului, nu îl tăiați, striviți, aruncați sau scăpați și nu îl loviți cu un obiect dur. Astfel de acțiuni pot provoca incendii, căldură excesivă sau explozii.
 9. Nu utilizați un acumulator deteriorat.
 10. Acumulatorii Li-Ion încorporați se supun cerințelor Legislației privind substanțele periculoase. Pentru transportatori comerciale, efectuate de exemplu de către părți terțe, expeditori, trebuie respectate cerințele speciale de ambalare și etichetare. Pentru pregătirea articolului care urmează să fie expedit, este necesară consultarea unui expert în materiale periculoase. Vă rugăm să respectați, de asemenea, reglementările naționale, care pot fi mai detaliate.
- Izolați sau acoperiți contactele deschise și împachetați acumulatorul în așa fel încât să nu se poată mișca în ambalaj.

11. **Atunci când eliminați la deșeuri cartușul acumulatorului, scoateți-l din mașină și eliminați-l într-un loc sigur. Respectați normele naționale privind eliminarea la deșeuri a acumulatorului.**
12. **Utilizați acumulatorii numai cu produsele specificate de Makita. Instalarea acumulatorilor în produse neconforme poate cauza incendii, căldură excesivă, explozii sau scurgeri de electrolit.**
13. **Dacă mașina nu este utilizată o perioadă lungă de timp, acumulatorul trebuie scos din acesta.**
14. **În timpul utilizării și după aceea, cartușul acumulatorului se poate încălzi, ceea ce poate cauza arsuri sau arsuri la temperaturi scăzute. Fiți atenți la manipularea cartușelor de acumulator atunci când sunt fierbinți.**
15. **Nu atingeți borna mașinii imediat după utilizare, întrucât se poate încălzi foarte tare și poate provoca arsuri.**
16. **Nu lăsați să pătrundă așchii, praf sau pământ în borne, în orificii și în canelurile cartușului acumulatorului. Acest lucru poate provoca încălzirea, aprinderea, explozia și defectarea mașinii sau a cartușului acumulatorului, cauzând arsuri sau vătămări corporale.**
17. **Nu utilizați cartușul acumulatorului în apropierea liniilor electrice de înaltă tensiune, cu excepția cazului în care mașina suportă utilizarea în apropierea liniilor electrice de înaltă tensiune. Acest lucru poate duce la funcționarea necorespunzătoare sau la defectarea mașinii sau a cartușului acumulatorului.**
18. **Țineți acumulatorul la distanță de copii.**

PĂSTRAȚI ACESTE INSTRUCȚIUNI.

ATENȚIE: Folosiți numai acumulatori Makita originali. Acumulatorii Makita care nu sunt originali și acumulatorii care au suferit modificări se pot aprinde, provocând incendii, leziuni corporale și daune. De asemenea, anulează garanția oferită de Makita pentru unealta și încărcătorul Makita.

Sfaturi pentru obținerea unei durate maxime de exploatare a acumulatorului

1. **Încărcați cartușul acumulatorului înainte de a se descărca complet. Întrerupeți întotdeauna funcționarea mașinii și încărcați cartușul acumulatorului când observați o scădere a puterii mașinii.**
2. **Nu reîncărcați niciodată un acumulator complet încărcat. Supraîncărcarea va scurta durata de exploatare a acumulatorului.**
3. **Încărcați cartușul acumulatorului la temperatura camerei, între 10 °C - 40 °C (50 °F - 104 °F). Lăsați un acumulator fierbinte să se răcească înainte de a-l încărca.**
4. **Atunci când nu utilizați cartușul acumulatorului, scoateți-l din mașină sau din încărcător.**
5. **Încărcați cartușul acumulatorului în cazul în care nu a fost utilizat pe o perioadă mai lungă (mai mult de șase luni).**

DESCRIERE COMPONENTE

- Fig. 1: 1. Unitatea principală 2. Flotor 3. Casetă flotor 4. Filtru din material textil 5. Rezervor

DESCRIEREA FUNCȚIILOR

ATENȚIE: Asigurați-vă întotdeauna că aparatul este oprit și cartușele acumulatorului sunt scoase înainte de a ajusta sau de a verifica funcționarea aparatului.

Instalarea sau scoaterea cartușului acumulatorului

ATENȚIE: Opriți întotdeauna aparatul înainte de instalarea sau scoaterea cartușelor acumulatorului.

ATENȚIE: Țineți ferm aspiratorul și cartușele acumulatorului la instalarea sau scoaterea cartușelor. În caz contrar, acestea vă pot aluneca din mâini, ceea ce poate conduce la defectarea aspiratorului și a cartușelor acumulatorului sau la vătămări corporale.

ATENȚIE: Acordați atenție pentru a nu vă prinde degetele la deschiderea și închiderea capacului acumulatorului. În caz contrar, există pericol de vătămare corporală.

Aspiratorul are fante duble pentru acumulator. Cu doi acumulatori identici în paralel, vă puteți extinde timpul de funcționare la una sau mai multe utilizări fără a fi nevoie să vă opriți pentru a reîncărca acumulatorii. Aspiratorul funcționează și cu un singur acumulator, astfel încât puteți alege utilizarea fie cu doi acumulatori, fie cu un singur acumulator, în funcție de necesitățile dvs.

- Fig. 2: 1. Fanta stângă a acumulatorului 2. Fanta dreaptă a acumulatorului

Cu doi acumulatori

Utilizarea continuă cu doi acumulatori permite o perioadă de funcționare mai îndelungată și o curățare mai eficientă. Când primul acumulator se descarcă, aspiratorul schimbă automat sursa de alimentare, deci continuă să funcționeze cu al doilea acumulator.

NOTĂ: Fanta stângă a acumulatorului (atunci când este orientat spre partea din față a aspiratorului) are prioritate față de fanta dreaptă a acumulatorului. Fanta dreaptă a acumulatorului va fi identificată ca sursă de alimentare doar atunci când nu este instalat niciun acumulator în fanta stângă sau atunci când se descarcă acumulatorul din fanta stângă.

NOTĂ: Puteți scoate acumulatorul din fanta stângă a acumulatorului și să îl reîncărcați după ce aspiratorul și-a schimbat sursa de alimentare de la fanta stângă a acumulatorului la cea din dreapta, fără oprirea funcționării. Pentru a acorda prioritate fantei stângi a acumulatorului după montarea unui acumulator încărcat, reporniți aspiratorul.

Cu un singur acumulator

Este necesară un singur acumulator ca sursă de alimentare în fanta stângă sau cea dreaptă a acumulatorului. Aspiratorul stabilește automat care fantă a acumulatorului este disponibilă în funcție de condițiile de funcționare.

Instalarea și dezinstalarea

Pentru a instala cartușele acumulatorului, eliberați mai întâi încuietorea și deschideți capacul acumulatorului. Apoi introduceți cartușele acumulatorului.

► **Fig.3:** 1. Încuietore 2. Capacul acumulatorului

Aliniați limbile de pe cartușele acumulatorului cu canalele din carcasă și introduceți-le în locaș. Introduceți-le complet, până când se fixează în locaș cu un mic clic. Apoi blocați capacul acumulatorului.

► **Fig.4:** 1. Cartușul acumulatorului 2. Buton

Pentru a scoate cartușele acumulatorului, glisați-le din carcasa acumulatorului în timp ce apăsați și mențineți butoanele de pe partea frontală a cartușelor.

ATENȚIE: Întotdeauna introduceți complet cartușul acumulatorului. În caz contrar, acesta poate cădea accidental din aparat provocând accidentarea dumneavoastră sau a persoanelor din jur.

ATENȚIE: Nu forțați cartușul acumulatorului la montare. Dacă acesta nu glisează ușor, înseamnă că a fost introdus necorespunzător.

NOTĂ: Când aspiratorul schimbă sursa de alimentare de la primul acumulator la cel de-al doilea, poate fi necesară oprirea temporară a operațiunilor, provocând o ușoară pierdere a aspirației. Vă rugăm să rețineți că nu este o defecțiune, astfel încât aspiratorul revine la normal și reia operațiunile imediat după pauză.

Indicarea capacității rămase a acumulatorului

Apăsați butonul de verificare de pe cartușul acumulatorului, astfel încât să se indice capacitățile rămase ale acumulatorului. Lămpile indicatorului vor lumina timp de câteva secunde.

► **Fig.5:** 1. Lămpi indicatoare 2. Buton de verificare

Lămpi indicatoare			Capacitate rămasă
Iluminat	Oprit	Iluminare intermitentă	
■ ■ ■ ■			între 75% și 100%
■ ■ ■ □			între 50% și 75%
■ ■ □ □			între 25% și 50%
■ □ □ □			între 0% și 25%
▣ □ □ □			Încărcați acumulatorul.
■ ■ □ □	□ □	■ ■	Este posibil ca acumulatorul să fie defect.
□ □	■ ■		

NOTĂ: În funcție de condițiile de utilizare și temperatura ambientală, indicația poate fi ușor diferită de capacitatea reală.

NOTĂ: Prima lampă indicatoare (extremitatea stângă) va lumina intermitent când sistemul de protecție a acumulatorului funcționează.

Indicatoarele acumulatorului de pe panoul de control

Capacitatea rămasă a acumulatorului poate fi citită oricând pe panoul de control. Apăsați butonul de verificare, iar indicatoarele din stânga și din dreapta vor afișa nivelul de încărcare a acumulatorului în mod corespunzător.

► **Fig.6:** 1. Indicatoare acumulator 2. Buton de verificare

► **Fig.7**

Stare indicator acumulator			Capacitatea rămasă a acumulatorului
Pornit	Oprit	Iluminare intermitentă	
			între 50% și 100%
			între 20% și 50%
			între 0% și 20%
			Încărcați acumulatorul
			Cartușul nu a fost introdus

NOTĂ: Indicatoarele bateriei vor fi, de asemenea, activate atunci când aspiratorul începe să funcționeze sau schimbă sursa de alimentare de la un acumulator la altul.

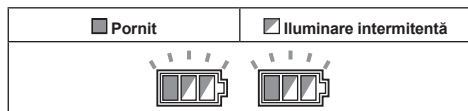
Sistem de protecție aparat/acumulator

Aparatul este echipat cu un sistem de protecție a aparatului/acumulatorului. Acest sistem întrerupe automat alimentarea motorului pentru a prelungi durata de funcționare a aparatului și a acumulatorului. Aparatul se va opri automat în timpul funcționării dacă aparatul sau acumulatorul se află într-una dintre situațiile următoare:

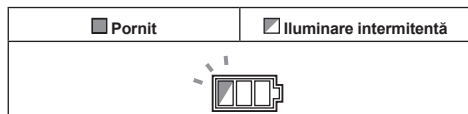
Protecție la suprasarcină

Când aparatul/acumulatorul este utilizat într-un mod care duce la un consum de curent anormal de ridicat, aparatul se va opri automat. În această situație, opriți aparatul și întrerupeți aplicația care a dus la suprasolicitare. Apoi, reporniți aparatul.

Protecție la supraîncălzire



Când aparatul este supraîncălzit, acesta se oprește automat și indicatoarele acumulatorului ambilor acumulatori din dreapta și din stânga luminează intermitent. În această situație, lăsați aparatul să se răcească înainte de a-l reporni.



Când bateria este supraîncălzită, aparatul se oprește automat și unul dintre indicatoarele de supraîncălzire luminează intermitent. În această situație, lăsați acumulatorul să se răcească înainte de a porni din nou aparatul.

Protecție la supradescărcare

Când capacitatea acumulatorului scade, aparatul se oprește automat. Dacă aparatul nu funcționează la acționarea întrerupătoarelor, scoateți acumulatorii din aparat și încărcați-i.

Măsurile de protecție împotriva altor cauze

Sistemul de protecție este, de asemenea, conceput pentru alte cauze care ar putea deteriora aparatul și permite aparatului să se oprească automat. Parcurgeți toți pașii următori pentru a elimina cauzele, atunci când aparatul a fost oprit temporar sau a fost scos din funcțiune.

1. Opriți aparatul, apoi porniți-l din nou pentru a reporni.
2. Încărcați acumulatorul (acumulatorii) sau înlocuiți-l (înlocuiți-i) cu un acumulator (acumulatori) încărcat (încărcați).
3. Lăsați aparatul și acumulatorul (acumulatorii) să se răcească.

Dacă nu se poate observa nicio îmbunătățire prin resetarea sistemului de protecție, contactați centrul local de service Makita.

Acționarea întrerupătorului

Pornirea aspiratorului

1. Rotiți comutatorul de stare de așteptare în poziția „I” (PORNIT) pentru a aduce aspiratorul în modul de așteptare.
2. Apăsăți butonul de pornire. Pentru a reveni la modul de așteptare, apăsați din nou butonul de pornire.

Oprirea aspiratorului

Efectuați unul dintre pașii următori.

- Apăsăți butonul de alimentare pentru a readuce aspiratorul în modul de așteptare, apoi rotiți comutatorul de stare de așteptare în poziția „O” (OPRIT).
- Rotiți comutatorul de stare de așteptare în poziția „O” (OPRIT).

Reglarea puterii de aspirație

Puterea de aspirație poate fi reglată conform necesităților dumneavoastră de lucru.

- Rotiți butonul rotativ de reglare a forței de aspirație spre stânga pentru a reduce puterea de aspirație.
- Rotiți butonul rotativ de reglare a forței de aspirație spre dreapta pentru a crește puterea de aspirație.

► **Fig.8:** 1. Comutatorul de stare de așteptare 2. Buton de pornire 3. Buton rotativ de reglare a forței de aspirație

Oprire automată a aspirației în timpul operației de aspirare umedă

⚠️ AVERTIZARE: Nu utilizați pentru o perioadă lungă de timp atunci când fotorul operează.

Utilizarea aspiratorului pentru o lungă perioadă de timp atunci când fotorul operează poate duce la supraîncălzire, ceea ce va rezulta în deformarea aspiratorului.

⚠️ AVERTIZARE: Nu colectați spumă sau lichide cu săpun. Acest lucru ar putea cauza ieșirea spumei prin orificiile de aer înainte ca fotorul să lucreze. Continuarea utilizării în această stare poate cauza un șoc electric și defectarea aspiratorului.

Funcția de oprire automată a aspirației funcționează numai la momentul utilizării aspiratorului cu fotorul și caseta fotorului.

Aspiratorul are un mecanism cu fotor care previne pătrunderea apei în motor atunci este depășită cantitatea de apă de colectat. Când rezervorul este plin, iar aspiratorul nu mai colectează apă, opriți aspiratorul și goliți rezervorul.

Blocarea și deblocarea roților

Rotilele din spate pot fi blocate cu ajutorul unor opritori pentru a ajuta aspiratorul să rămână nemișcat.

Coborâți manual pârghia opritoare pentru a bloca roțile și ridicați-o pentru a o elibera.

► **Fig.9:** 1. Aparat de turnat 2. Pârghie opritoare 3. Poziție FREE (Liber) 4. Poziție LOCK (Blocare)

NOTĂ: La mutarea aspiratorului, asigurați-vă că roțila este deblocată. Mutarea aspiratorului cu roțila în poziție blocată poate cauza defectarea roții.

Mâner pentru transport

⚠️ ATENȚIE: Ridicați și transportați aparatul cu mare grijă. În caz contrar, se pot produce accidentări sau aparatul poate fi deteriorat.

Când transportați aspiratorul, purtați-l ținând de mânerul aflat pe unitatea principală. Mânerul este retractabil pe unitatea principală atunci când nu este utilizat.

► **Fig.10**

ASAMBLARE

⚠️ ATENȚIE: Asigurați-vă întotdeauna că aparatul este oprit, iar cartușele acumulatorului sunt scoase, înainte de a executa orice acțiune asupra aparatului.

⚠️ ATENȚIE: Purtați întotdeauna o mască de protecție contra prafului în timpul asamblării sau întreținerii.

Instalarea filtrului de pudră (HEPA) și a prefiltrului (pentru praf uscat)

Accesorii opționale

⚠️ ATENȚIE: Nu colectați niciodată apă sau alte lichide sau praf umed atunci când utilizați filtrul de pudră. Colectarea unor astfel de materiale poate cauza distrugerea filtrului de pudră.

Pentru a utiliza filtrul de pudră:

1. Slăbiți șuruburile care fixează caseta flotorului, apoi scoateți șuruburile, caseta flotorului și flotorul din unitatea principală.

▶ **Fig.11:** 1. Șurub 2. Casetă flotor 3. Flotor
4. Unitatea principală

2. Scoateți filtrul din material textil din rezervor.

▶ **Fig.12:** 1. Filtru din material textil 2. Rezervor

3. Așezați prefiltrul în rezervor, aliniind marcajele poziției de montare pe prefiltrul și rezervor.

4. Montați amortizorul pe prefiltrul, apoi plasați filtrul de pudră peste amortizor, aliniind marcajele poziției de montare pe filtrul de pudră și prefiltrul.

5. Montați unitatea principală pe rezervor și fixați-o cu încuietorile dispozitivului de blocare.

▶ **Fig.13:** 1. Unitatea principală 2. Filtru de pudră (HEPA) 3. Amortizor 4. Prefiltru 5. Rezervor
6. Marcaj al poziției de montare

NOTĂ: Înainte de a utiliza filtrul de pudră, asigurați-vă că prefiltrul și amortizorul sunt întotdeauna utilizate împreună. Nu este permisă instalarea doar a filtrului de pudră.

Instalarea filtrului de apă

Accesorii opționale

NOTĂ: Nu colectați niciodată apă sau praf umed fără flotor și filtrul din material textil sau filtrul de apă.

NOTĂ: Pentru a colecta praf umed, asigurați-vă de faptul că flotorul și caseta flotorului sunt instalate la aspirator.

NOTĂ: La instalarea filtrului de apă pe rezervor, instalați-l strâns la deschiderea rezervorului astfel încât cârligul filtrului de apă să se cupleze ferm în deschiderea rezervorului și să nu existe spațiu între filtrul de apă și rezervor.

Pentru a colecta numai apă sau praf umed, filtrul de apă este mai potrivit decât filtrul din material textil.

La momentul instalării filtrului de apă, aliniați marcajul poziției de montare al acestuia cu cel de pe rezervor.

▶ **Fig.14:** 1. Filtru de apă 2. Rezervor 3. Marcaj al poziției de montare

NOTĂ: Se recomandă utilizarea filtrului de apă atunci când colectați în mod repetat cantități mari de apă. În caz contrar, capacitatea de aspirare poate fi redusă în cazul filtrului din material textil.

Instalarea sacului de praf din hârtie

Accesorii opționale

⚠️ AVERTIZARE: Înainte de a utiliza sacul de praf din hârtie, asigurați-vă că filtrul din material textil și prefiltrul sunt utilizate împreună.

Neutilizarea filtrului din material textil/prefiltrului în același timp poate cauza zgomote anormale și căldură, putând duce la apariția unui incendiu.

NOTĂ: Nu colectați niciodată apă sau alte lichide sau praf umed atunci când utilizați un sac de praf din hârtie. Colectarea unor astfel de materiale poate cauza distrugerea sacului de praf din hârtie.

NOTĂ: Atunci când utilizați filtrul din material textil, asigurați-vă că flotorul și caseta flotorului sunt atașate la unitatea principală.

NOTĂ: Atunci când utilizați prefiltrul, asigurați-vă că filtrul de pudră și amortizorul sunt utilizate împreună.

1. Desfaceți un sac de praf din hârtie.
 2. Aliniați deschiderea sacului de praf din hârtie cu gura de admisie a prafului a rezervorului.
 3. Instalați sacul de praf din hârtie la rezervor cu deschiderea cartonului prinsă de suportul sacului de praf din hârtie.
- ▶ **Fig.15:** 1. Sac de praf din hârtie 2. Deschiderea cartonului 3. Suport sac de praf din hârtie
4. Gură de admisie praf

Instalarea sacului din polietilenă

Cu un sac din polietilenă instalat la rezervor, puteți goli cu ușurință rezervorul fără a vă murdări mâinile.

Așezați un sac din polietilenă peste rezervor și trageți o parte a marginii superioare a sacului spre deschiderea sa, între placa de suport și peretele frontal al rezervorului.

▶ **Fig.16:** 1. Placă suport 2. Peretele frontal al rezervorului 3. Sac din polietilenă

Desfășurați celelalte margini superioare ale sacului spre exterior peste marginile superioare ale rezervorului.

Așezați filtrul din material textil sau prefiltrul peste sacul din polietilenă pentru a fixa ferm deschiderea sacului.

▶ **Fig.17:** 1. Filtru/prefiltru din material textil

NOTĂ: Poate fi utilizat un sac din polietilenă disponibil în comerț. Este recomandat sacul cu o grosime de 0,04 mm sau mai mare.

NOTĂ: Prea mult praf va duce la uzura rapidă a sacului, deci nu colectați mai mult praf decât jumătate din capacitatea sacului.

Golirea rezervorului cu ajutorul unui sac din polietilenă

⚠️ AVERTIZARE: Asigurați-vă întotdeauna că aspiratorul este oprit și cartușele acumulatorului sunt scoase înainte de a goli rezervorul. În caz contrar, pot apărea șocuri electrice și vătămări corporale grave.

NOTĂ: Nu aplicați o forță puternică asupra casei-tei flotorului și asupra rezervorului. Aplicarea unei presiuni mari poate cauza deformarea și deteriorarea pieselor.

NOTĂ: Goliți rezervorul cel puțin o dată pe zi, deși acest lucru depinde de volum de praf colectat în rezervor. În caz contrar, forța de aspirație se va reduce, iar motorul se poate defecta.

NOTĂ: Nu țineți cu mâna de cârlig sau de dispozitivele de blocare atunci când goliți rezervorul. Acest lucru poate cauza ruperea acestora.

Eliberați încuietorile dispozitivului de blocare și ridicați unitatea principală de pe rezervor.

Scuturați praful din filtrul din material textil sau prefiltrul înainte de a ridica filtrul din rezervor.

Apoi scoateți sacul din polietilenă din rezervor, închizând manual deschiderea sacului.

► **Fig.18:** 1. Sac din polietilenă 2. Rezervor

NOTĂ: Scoateți cu atenție sacul din polietilenă din rezervor pentru a evita zgărirea și ruperea marginilor din interiorul rezervorului.

NOTĂ: Goliți sacul din polietilenă înainte de a deveni plin. Prea mult praf în rezervor va cauza ruperea sacului din polietilenă.

Instalarea unui cârlig multiplu

Folosiți cârligul multiplu pentru a agăța un furtun, accesoriile și piesele auxiliare care nu sunt utilizate și le puteți scoate rapid în funcție de preferințe.

► **Fig.19**

Așezați cârligul multiplu peste baza de montare din spatele aspiratorului, așezând șinele pe cârligul multiplu de-a lungul canelurilor de pe baza de montare.

► **Fig.20:** 1. Cârlig multiplu 2. Baza de montare

Instalarea adaptorului MAKPAC

Accesoriu opțional

Cutiile de depozitare MAKPAC care pot fi conectate și stivuite pot fi instalate deasupra aspiratorului cu ajutorul unui adaptor opțional. Carcasele sunt disponibile în mai multe dimensiuni și stiluri pentru a se potrivi preferințelor dumneavoastră.

Așezați cârligul bazei de montare peste mânerul aspiratorului, cu suprafața de montare orientată în sus, atunci când mânerul este pliat în poziție închisă.

► **Fig.21:** 1. Cârlig bază de montare 2. Suprafața de montare 3. Mâner

Montați adaptorul MAKPAC pe cârligul bazei de montare și fixați-le împreună cu cele patru șuruburi furnizate.

► **Fig.22:** 1. Adaptor MAKPAC 2. Cârlig bază de montare 3. Șurub

Ridicați bara de împingere în sus și strângeți butonul rotativ pentru a pregăti instalarea carcaselor MAKPAC pe aspirator.

► **Fig.23:** 1. Bara de împingere 2. Buton rotativ

NOTĂ: Pentru detalii privind instalarea carcaselor MAKPAC, consultați instrucțiunile furnizate împreună cu adaptorul și carcasa MAKPAC.

Instalarea furtunului

NOTĂ: Nu forțați niciodată furtunul îndoindu-l sau strivindu-l. Nu mutați niciodată aspiratorul trăgând de furtun. Forțarea, strivirea și tragerea furtunului pot cauza distrugerea sau deformarea acestuia.

NOTĂ: La colectarea unor reziduuri de mari dimensiuni, precum așchii de la mașina de rindeluit, praf de beton sau alte materiale similare, utilizați furtunul cu un diametru interior de 38 mm (accesoriu opțional). Utilizarea unui furtun (accesoriu opțional) cu un diametru interior de 28 mm poate cauza înfundarea și distrugerea acestuia.

Conectarea la aspirator

Introduceți capătul furtunului în gura de admisie a prafului (intrarea furtunului) a aspiratorului, apoi rotiți-l în sens orar până când se blochează în poziție.

► **Fig.24:** 1. Furtun 2. Gură de admisie a prafului (intrarea furtunului)

Conectarea cu uneltele dvs. de lucru (Diferă în funcție de țară)

Prin conectarea aspiratorului la orice instrument de lucru disponibil compatibil cu aspiratorul, acesta funcționează ca un accesoriu de extragere a prafului pentru uneltele dvs. electrice.

Selectați una dintre garniturile frontale sau îmbinări (accesorii opționale), în funcție de ceea ce se potrivește cel mai bine pentru modelul dvs. de unealtă. Așezați garniturile sau îmbinarea, după cum este necesar, între capătul frontal al furtunului aspiratorului și un orificiu de extragere a prafului de la unealta dumneavoastră.

► **Fig.25:** 1. Garnituri frontale sau îmbinări 2. Furtun aspirator 3. Unealtă electrică 4. Aspirator

Montarea sau demontarea accesoriilor de aspirare

⚠️ ATENȚIE: După montarea unui accesoriu, verificați dacă acesta este fixat ferm. În cazul în care accesoriul este montat necorespunzător, acesta se poate desprinde, cauzând vătămări corporale.

Când utilizați accesoriul fără funcție de blocare

Accesoriu opțional

Introduceți un accesoriu în orificiul de aspirație al aspiratorului, împingându-l și înșurubându-l manual. Răsuciți manual și trageți accesoriul separat de orificiul de aspirație după utilizare.

► **Fig.26**

Accesorii cu funcție de blocare

Accesorii opționale

NOTĂ: Atunci când montați accesoriul cu funcție de blocare, asigurați-vă că aliniați butonul de eliberare cu cârligul de pe accesoriu. Dacă acestea nu sunt aliniate, accesoriul nu se va bloca și se poate desprinde de pe aspirator.

Introduceți un accesoriu în orificiul de aspirație al aspiratorului împingându-l până se aude un clic.

Pentru a scoate accesoriul, trageți-l în timp ce apăsați butonul de eliberare.

- **Fig.27:** 1. Orificiu de aspirație cu funcție de blocare
2. Buton de eliberare 3. Piesă auxiliară cu funcție de blocare

NOTĂ: Accesoriul cu funcție de blocare poate fi instalat doar în orificiul de aspirație cu funcție de blocare.

- **Fig.28:** 1. Piesă auxiliară cu funcție de blocare
2. Orificiu de aspirație cu funcție de blocare 3. Orificiu de aspirație fără funcție de blocare

Reglarea lungimii tubului de extensie cu glisare

Accesorii opționale

Tubul de extensie cu glisare poate fi combinat pentru a obține lungimi mai mici și mai mari. Acesta permite curățarea zonelor greu accesibile și oferă opțiuni de poziționare confortabile.

Trageți și scoateți țeava glisantă pentru a schimba lungimea tubului în timp ce apăsați și țineți apăsat butonul de glisare.

Eliberați butonul de glisare pentru a bloca țeava glisantă în poziția dorită.

- **Fig.29:** 1. Țeavă glisantă 2. Buton de glisare

ÎNTREȚINERE

ATENȚIE: Asigurați-vă întotdeauna că aparatul este oprit și cartușele acumulatorului sunt scoase, înainte de a executa lucrări de inspecție sau întreținere.

NOTĂ: Nu utilizați niciodată gazolină, benzină, diluant, alcool sau alte substanțe asemănătoare. În caz contrar, pot rezulta decolorări, deformări sau fisuri.

Pentru a menține SIGURANȚA și FIABILITATEA produsului, reparațiile și orice alte lucrări de întreținere sau reglare trebuie executate de centre de service Makita autorizate sau proprii, folosind întotdeauna piese de schimb Makita.

Depozitarea accesoriilor

Accesoriile și piesele auxiliare neutilizate, cum ar fi duzele și perile, pot fi agățate și depozitate în cârligul multiplu din partea din spate a aspiratorului.

- **Fig.30:** 1. Cârlig multiplu 2. Accesorii și piese auxiliare neutilizate

Țevile (cu opritor opțional instalat) pot fi plasate în suportul țevii atunci când nu folosiți aspiratorul pentru o perioadă scurtă de timp.

- **Fig.31:** 1. Opritor (accesoriu opțional) 2. Suport țeavă

Un furtun poate fi înfășurat și depozitat în jurul carcasei sau mânerului aspiratorului în bucle mari. Conectați ambele capete împreună pentru a face bucle și agățați buclele de mânerul ridicat. Alternativ, păstrați capătul în orificiul de admisie al furtunului și agățați buclele de cârligul multiplu cu capătul liber legat.

- **Fig.32**

- **Fig.33**

Curățarea filtrului din material textil

Curățați filtrul din material textil la intervale regulate, deoarece filtrul din material textil înfundat poate reduce capacitatea de aspirație.

Uneori ștergeți și scuturați praful din filtrul din material textil cu mâna.

- **Fig.34:** 1. Filtru din material textil

Curățarea filtrului de pudră (HEPA) și a prefiltrului

Accesorii opționale

Curățați filtrul de pudră, prefiltrul și amortizorul la intervale regulate, deoarece filtrele și amortizorul atunci când sunt înfundate pot reduce capacitatea de aspirație.

Ștergeți și scuturați în mod obișnuit praful de pe filtre și amortizor cu mâna.

Ocazional, spălați filtrul de pudră în apă, clătiți-l și uscați-l complet la umbră înainte de utilizare. Nu spălați niciodată filtrele în mașina de spălat.

- **Fig.35**

NOTĂ: Evitați frecarea sau zgârierea filtrului de pudră, a prefiltrului sau a amortizorului cu obiecte dure, precum o perie sau raclă.

NOTĂ: Filtrele se uzează în timp. Se recomandă să aveți câteva piese de schimb pentru acestea.

ACCESORII OPȚIONALE

⚠️ ATENȚIE: Folosiți accesoriile sau piesele auxiliare recomandate pentru mașina dumneavoastră Makita în acest manual. Utilizarea oricăror alte accesorii sau piese auxiliare poate prezenta risc de vătămare corporală. Utilizați accesoriile și piesele auxiliare numai în scopul destinat.

Dacă aveți nevoie de asistență sau de mai multe detalii referitoare la aceste accesorii, adresați-vă centrului local de service Makita.

- Furtun
- Garnituri frontale (22, 24, 38)
- Țeavă dreaptă
- Tub de extensie
- Duză pentru colțuri
- Perie rotundă
- Filtru de pudră, HEPA (pentru praf uscat)
- Amortizor
- Prefiltru
- Filtru de apă
- Filtru din material textil
- Ansamblu duză
- Țeavă curbată
- Sac din polietilenă
- Sac de praf din hârtie
- Adaptor MAKPAC
- Acumulator și încărcător original Makita

NOTĂ: Unele articole din listă pot fi incluse ca accesorii standard în ambalajul de scule. Acestea pot diferi în funcție de țară.

WARNUNG

- Diese Maschine sollte nicht von Personen (einschließlich Kindern) mit reduzierten körperlichen, sensorischen oder geistigen Fähigkeiten oder mangelnder Erfahrung und Kenntnis benutzt werden.
- Kinder sollten beaufsichtigt werden, um sicherzugehen, dass sie nicht mit dem Sauggerät spielen.
- Angaben zur Typenbezeichnung des Akkus finden Sie im Kapitel „TECHNISCHE DATEN“.
- Angaben zum Demontage- oder Installationsverfahren des Akkus finden Sie im Abschnitt „Installieren oder Demontieren des Akkus“.
- Entfernen Sie den Akku zum Entsorgen vom Werkzeug, und entsorgen Sie ihn an einem sicheren Ort. Befolgen Sie die örtlichen Vorschriften bezüglich der Entsorgung von Akkus.
- Soll das Werkzeug längere Zeit nicht benutzt werden, muss der Akku vom Werkzeug entfernt werden.
- Der Akku darf nicht kurzgeschlossen werden.
- Entsprechende Details der Vorsichtsmaßnahmen während der Benutzerwartung finden Sie im Kapitel „WARTUNG“.

TECHNISCHE DATEN

Modell:	VC001GL	VC003GL
Standard-Filtertyp	Tuchfilter (für Trocken- und Nassstaub)	
Maximales Luftvolumen (mit BL4040, ø32 mm x 1,7-m-Schlauch)	2,7 m ³ /min	
Unterdruck (mit BL4040, ø32 mm x 1,7-m-Schlauch)	23 kPa	
Rückgewinnbare Kapazität	Staub	15 L
	Wasser	12 L
Abmessungen (L x B x H)	366 mm x 334 mm x 425 mm	366 mm x 334 mm x 475 mm
Nennspannung	Gleichstrom 36 V - 40 V max.	
Nettogewicht	8,1 - 11,2 kg	8,4 - 11,5 kg
Schutzgrad	IPX4	

- Wir behalten uns vor, Änderungen der technischen Daten im Zuge der Entwicklung und des technischen Fortschritts ohne vorherige Ankündigung vorzunehmen.
- Die technischen Daten und der Akku können von Land zu Land unterschiedlich sein.
- Das Gewicht schließt keine Zubehörteile, aber Akkus ein. Das niedrigste und höchste Kombinationsgewicht des Gerätes und der Akkus sind in der Tabelle angegeben.
- Für Nassstaub sind der Schwimmer und der Wasserfilter oder der Tuchfilter erforderlich.

Zutreffende Akkus und Ladegeräte

Akku	BL4020 / BL4025 / BL4040* / BL4050F* / BL4080F* * : Empfohlener Akku
Ladegerät	DC40RA / DC40RB / DC40RC

- Einige der oben aufgelisteten Akkus und Ladegeräte sind je nach Ihrem Wohngebiet eventuell nicht erhältlich.

⚠️ WARNUNG: Verwenden Sie nur die oben aufgeführten Akkus und Ladegeräte. Bei Verwendung irgendwelcher anderer Akkus und Ladegeräte besteht Verletzungs- und/oder Brandgefahr.

Symbole

Nachfolgend werden Symbole beschrieben, die für das Gerät verwendet werden können. Machen Sie sich unbedingt vor der Benutzung mit ihrer Bedeutung vertraut.



Betriebsanleitung lesen.



Besondere Umsicht und Aufmerksamkeit erforderlich.



Warnung! Der Staubsauger kann gefährlichen Staub enthalten.



Stellen Sie sich niemals auf den Staubsauger.



Staubklasse L (leicht). Die Staubsauger sind in der Lage, Staub der Staubklasse L aufzusaugen. Befolgen Sie die Vorschriften Ihres Landes in Bezug auf Stäube sowie Sicherheit und Gesundheitsschutz am Arbeitsplatz.



Nur für EU-Länder
Aufgrund des Vorhandenseins gefährlicher Komponenten in der Ausrüstung können Elektro- und Elektronik-Altgeräte, Akkumulatoren und Batterien sich negativ auf die Umwelt und die menschliche Gesundheit auswirken. Entsorgen Sie Elektro- und Elektronikgeräte oder Batterien nicht mit dem Hausmüll! In Übereinstimmung mit der Europäischen Richtlinie über Elektro- und Elektronik-Altgeräte, Akkumulatoren und Batterien, verbrauchte Akkumulatoren und Batterien sowie ihrer Anpassung an nationales Recht sollten Elektro-Altgeräte, Batterien und Akkumulatoren gemäß den Umweltschutzbestimmungen getrennt gelagert und zu einer getrennten Sammelstelle für Siedlungsabfälle geliefert werden. Dies wird durch das am Gerät angebrachte Symbol der durchgestrichenen Abfalltonne auf Rädern angezeigt.

Vorgesehene Verwendung

Das Gerät ist für das Absaugen von Nass- und Trockenstaub vorgesehen. Das Gerät eignet sich für kommerziellen Einsatz, z. B. in Hotels, Schulen, Krankenhäusern, Fabriken, Läden, Büros und Mietunternehmen.

Geräusch

Typischer A-bewerteter Geräuschpegel ermittelt gemäß EN60335-2-69:

Modell VC001GL

Schalldruckpegel (L_{pA}): 70 dB (A) oder weniger
Messunsicherheit (K): 2,5 dB (A)

Modell VC003GL

Schalldruckpegel (L_{pA}): 70 dB (A) oder weniger
Messunsicherheit (K): 2,5 dB (A)

Der Geräuschpegel kann während des Betriebs 80 dB (A) überschreiten.

HINWEIS: Der (Die) angegebene(n) Schallemissionswert(e) wurde(n) im Einklang mit der Standardprüfmethode gemessen und kann (können) für den Vergleich zwischen Werkzeugen herangezogen werden.

HINWEIS: Der (Die) angegebene(n) Schallemissionswert(e) kann (können) auch für eine Vorbewertung des Gefährdungsgrads verwendet werden.

⚠️ WARNUNG: Einen Gehörschutz tragen.

⚠️ WARNUNG: Die Schallemission während der tatsächlichen Benutzung des Elektrowerkzeugs kann je nach der Benutzungsweise des Werkzeugs, und speziell je nach der Art des bearbeiteten Werkstücks, von dem (den) angegebenen Wert(en) abweichen.

⚠️ WARNUNG: Identifizieren Sie Sicherheitsmaßnahmen zum Schutz des Benutzers anhand einer Schätzung des Gefährdungsgrads unter den tatsächlichen Benutzungsbedingungen (unter Berücksichtigung aller Phasen des Arbeitszyklus, wie z. B. Ausschalt- und Leerlaufzeiten des Werkzeugs zusätzlich zur Betriebszeit).

Schwingungen

Schwingungsgesamtwert (Drei-Achsen-Vektorsumme) ermittelt gemäß EN60335-2-69:

Modell VC001GL

Schwingungsemission ($a_{h,M}$): 2,5 m/s² oder weniger
Messunsicherheit (K): 1,5 m/s²

Modell VC003GL

Schwingungsemission ($a_{h,M}$): 2,5 m/s² oder weniger
Messunsicherheit (K): 1,5 m/s²

HINWEIS: Der (Die) angegebene(n) Vibrationsgesamtwert(e) wurde(n) im Einklang mit der Standardprüfmethode gemessen und kann (können) für den Vergleich zwischen Werkzeugen herangezogen werden.

HINWEIS: Der (Die) angegebene(n) Vibrationsgesamtwert(e) kann (können) auch für eine Vorbewertung des Gefährdungsgrads verwendet werden.

⚠️ WARNUNG: Die Vibrationsemission während der tatsächlichen Benutzung des Elektrowerkzeugs kann je nach der Benutzungsweise des Werkzeugs, und speziell je nach der Art des bearbeiteten Werkstücks, von dem (den) angegebenen Emissionswert(en) abweichen.

⚠️ WARNUNG: Identifizieren Sie Sicherheitsmaßnahmen zum Schutz des Benutzers anhand einer Schätzung des Gefährdungsgrads unter den tatsächlichen Benutzungsbedingungen (unter Berücksichtigung aller Phasen des Arbeitszyklus, wie z. B. Ausschalt- und Leerlaufzeiten des Werkzeugs zusätzlich zur Betriebszeit).

EG-Konformitätserklärung

Nur für europäische Länder

Die EG-Konformitätserklärung ist als Anhang A in dieser Bedienungsanleitung enthalten.

SICHERHEITSWARNUNGEN

Sicherheitswarnungen für Akku-Sauggerät

⚠️ WARNUNG: WICHTIG! Alle Sicherheitswarnungen und Anweisungen VOR GEBRAUCH AUFMERKSAM LESEN. Eine Missachtung der Warnungen und Anweisungen kann zu einem elektrischen Schlag, Brand und/oder schweren Verletzungen führen.

1. Stellen Sie vor dem Gebrauch sicher, dass dieses Sauggerät nur von Personen benutzt wird, die im Gebrauch dieses Sauggeräts hinreichend unterrichtet worden sind.
2. Vor dem Gebrauch sollten Bediener Informationen, Anweisungen und Schulung im Gebrauch der Maschine und der Substanzen, für die sie zu benutzen ist, einschließlich der sicheren Methode zur Entnahme und Entsorgung des aufgesammelten Materials, erhalten.

3. Falls Schaum/Flüssigkeit herauskommt, schalten Sie das Gerät sofort aus.
4. Reinigen Sie die Wasserstand-Begrenzungsvorrichtung regelmäßig , und untersuchen Sie sie auf Anzeichen von Beschädigung.
5. Stellen Sie vor dem Gebrauch immer sicher, dass die Filter korrekt installiert sind. Benutzen Sie das Sauggerät nicht ohne eingesetzte Filter. Ersetzen Sie einen beschädigten Filter unverzüglich. Es wird empfohlen, einige Ersatzteile bereitzuhalten, da Filter Verbrauchsmaterial sind.
6. **UNBEABSICHTIGTES EINSCHALTEN VERMEIDEN.** Vergewissern Sie sich, dass der Schalter ausgeschaltet ist, wenn Sie einen oder mehrere Akku(s) einsetzen.
7. Versuchen Sie nicht, brennbare Materialien, Feuerwerk, brennende Zigaretten, heiße Asche, heiße Metallspäne, scharfe Gegenstände, wie etwa Rasierklingen, Nadeln, Glasscherben oder dergleichen aufzusaugen.
8. **BENUTZEN SIE DAS SAUGGERÄT NIEMALS IN DER NÄHE VON BENZIN, GAS, LACK, KLEBSTOFFEN ODER ANDEREN HOCH EXPLOSIVEN SUBSTANZEN.** Der Schalter erzeugt Funken beim Ein- und Ausschalten. Ebenso der Motorkollektor während des Betriebs. Es kann zu einer gefährlichen Explosion kommen.
9. Saugen Sie niemals giftige, krebserregende, brennbare oder andere Gefahrstoffe wie Asbest, Arsen, Barium, Beryllium, Blei, Pestizide oder sonstige gesundheitsgefährdende Materialien auf.
10. Stellen Sie das Sauggerät immer auf eine horizontale und ebene Fläche, um zu verhindern, dass es herunterfällt oder sich unbeabsichtigt bewegt.
11. Benutzen Sie das Sauggerät niemals im Freien bei Regen.
12. Für Finnland: Diese Maschine darf nicht im Freien bei niedrigen Temperaturen benutzt werden.
13. Benutzen Sie das Sauggerät nicht in der Nähe von Wärmequellen (Öfen usw.).
14. Wird die Abluft in den Raum zurückgeleitet, muss für eine angemessene Luftwechselrate im Raum gesorgt werden. Bezugnahme auf nationale Vorschriften ist notwendig.
15. Blockieren Sie nicht den Saugeinlass/den Gebläseauslass/die Kühlluftöffnungen. Diese Öffnungen gestatten eine Kühlung des Motors. Blockierung ist sorgfältig zu vermeiden, weil sonst der Motor wegen mangelnder Belüftung überhitzt.
16. Achten Sie stets auf sicheren Stand und gute Balance.
17. Vermeiden Sie Knicken, Ziehen oder Zertreten des Schlauchs.
18. Stellen Sie das Sauggerät sofort ab, wenn Sie während des Betriebs eine Leistungsverschlechterung oder etwas Ungewöhnliches bemerken.
19. **AKKU(S) ENTNEHMEN.** Bei Nichtgebrauch, vor der Wartung und beim Wechseln von Zubehör.
20. Reinigen und warten Sie das Sauggerät sofort nach jedem Gebrauch, um es in tadellosem Betriebszustand zu halten.
21. **SAUGGERÄT SORGFÄLTIG WARTEN.** Halten Sie das Sauggerät für bessere und sicherere Leistung sauber. Befolgen Sie die Anweisungen zum Auswechseln von Zubehör. Halten Sie die Handgriffe trocken, sauber und frei von Öl und Fett.
22. **GERÄT AUF BESCHÄDIGTE TEILE ÜBERPRÜFEN.** Bevor Sie das Sauggerät weiter benutzen, sollten Sie beschädigte Schutzvorrichtungen und Teile sorgfältig auf ihre Betriebsfähigkeit und Funktionstüchtigkeit hin überprüfen. Überprüfen Sie das Gerät auf Ausrichtung und Klemmen beweglicher Teile, Beschädigung von Teilen, Befestigungszustand und sonstige Mängel von Teilen, die seinen Betrieb beeinträchtigen können. Beschädigte Schutzvorrichtungen oder Teile sollten von einem autorisierten Service-Center ordnungsgemäß repariert oder ausgewechselt werden, wenn nicht anders in dieser Bedienungsanleitung angegeben. Lassen Sie defekte Schalter von einem autorisierten Service-Center auswechseln. Benutzen Sie das Sauggerät nicht, wenn es sich nicht mit dem Schalter ein- und ausschalten lässt.
23. Für Benutzerwartung muss die Maschine zerlegt, gereinigt und gewartet werden, soweit dies einigermaßen praktikabel ist, ohne ein Risiko für das Wartungspersonal und andere Personen zu verursachen.
24. Die Maschine ist mindestens einmal jährlich vom Hersteller oder einer unterwiesenen Person einer technischen Untersuchung zu unterziehen, die z. B. aus der Überprüfung der Filter auf Beschädigung, der Luftdichtigkeit der Maschine und der einwandfreien Funktion des Steuermechanismus besteht.
25. Wenn Wartungs- oder Reparaturarbeiten ausgeführt werden, sind alle verunreinigten Artikel, die nicht zufriedenstellend gereinigt werden können; zu entsorgen; solche Artikel sind in undurchlässigen Beuteln im Einklang mit der geltenden Verordnung für die Entsorgung solcher Abfälle zu entsorgen.
26. **ERSATZTEILE.** Verwenden Sie bei der Wartung nur identische Ersatzteile.
27. **UNBENUTZTES SAUGGERÄT LAGERN.** Bei Nichtgebrauch sollte das Sauggerät in einem Innenraum gelagert werden.
28. Nassfilter und das Innere des Flüssigkeitsbehälters müssen vor der Lagerung getrocknet werden.
29. Behandeln Sie Ihr Sauggerät mit Sorgfalt. Grobe Behandlung kann eine Beschädigung des Sauggerätes verursachen, selbst wenn es noch so robust gebaut ist.
30. Versuchen Sie nicht, die Außen- oder Innenseite mit Waschbenzin, Verdünnern oder Reinigungschemikalien zu reinigen. Dadurch können Risse und Verfärbung verursacht werden.

31. Benutzen Sie das Sauggerät nicht in einem geschlossenen Raum, wo brennbare, explosive oder giftige Dämpfe von Lack auf Ölbasis, Lackverdünner, Benzin, bestimmten Mottenschutzmitteln usw. abgegeben werden, oder in Bereichen, wo brennbarer Staub vorhanden ist.
32. Betreiben Sie weder dieses noch andere Werkzeuge unter dem Einfluss von Medikamenten oder Alkohol.
33. Als Grundregel der Sicherheit sollten Sie stets eine Schutzbrille oder eine Sicherheitsbrille mit Seitenschützern verwenden.
34. Verwenden Sie eine Staubmaske bei staubigen Arbeitsbedingungen.
35. Diese Maschine sollte nicht von Personen (einschließlich Kindern) mit reduzierten körperlichen, sensorischen oder geistigen Fähigkeiten oder mangelnder Erfahrung und Kenntnis benutzt werden.
36. Kinder sollten beaufsichtigt werden, um sicherzugehen, dass sie nicht mit dem Sauggerät spielen.
37. Fassen Sie Akku(s) und den Staubsauger niemals mit nassen Händen an.
38. Lassen Sie bei der Reinigung auf Treppen äußerste Vorsicht walten.
39. Benutzen Sie das Sauggerät nicht als Hocker oder Werkbank. Anderenfalls kann die Maschine herunterfallen und Personenschäden verursachen.

Gebrauch und Pflege von Akkuwerkzeugen

1. Laden Sie den Akku nur mit dem vom Hersteller vorgeschriebenen Ladegerät. Ein Ladegerät, das für einen Akkutyp geeignet ist, kann eine Brandgefahr darstellen, wenn es mit einem anderen Akku verwendet wird.
2. Benutzen Sie Elektrowerkzeuge nur mit den ausdrücklich vorgeschriebenen Akkus. Bei Verwendung irgendwelcher anderer Akkus besteht Verletzungs- und Brandgefahr.
3. Halten Sie den Akku bei Nichtgebrauch von anderen Metallgegenständen, wie z. B. Büroklammern, Münzen, Schlüsseln, Nägeln, Schrauben oder anderen kleinen Metallgegenständen, fern, welche die Kontakte kurzschließen können. Kurzschließen der Akkukontakte kann Verbrennungen oder einen Brand verursachen.
4. Bei Missbrauch kann Flüssigkeit aus dem Akku austreten. Vermeiden Sie Kontakt mit dieser Flüssigkeit. Falls Sie versehentlich mit der Flüssigkeit in Berührung kommen, spülen Sie die betroffenen Stellen mit Wasser ab. Falls die Flüssigkeit in die Augen gelangt, suchen Sie zusätzlich ärztliche Hilfe auf. Die vom Akku austretende Flüssigkeit kann Hautreizungen oder Verätzungen verursachen.
5. Verwenden Sie keinen Akku und auch kein Werkzeug, der (das) beschädigt oder modifiziert ist. Beschädigte oder modifizierte Akkus können unvorhersehbares Verhalten zeigen, das zu einem Brand, einer Explosion oder Verletzungsgefahr führen kann.
6. Setzen Sie einen Akku oder ein Werkzeug nicht Feuer oder übermäßigen Temperaturen aus. Bei Einwirkung von Feuer oder Temperaturen über 130 °C kann es zu einer Explosion kommen.

7. Befolgen Sie alle Ladeanweisungen, und laden Sie den Akku bzw. das Werkzeug nicht außerhalb des in den Anweisungen angegebenen Temperaturbereichs. Wird der Ladevorgang unsachgemäß oder bei Temperaturen außerhalb des angegebenen Bereichs durchgeführt, kann es zu einer Beschädigung des Akkus und erhöhter Brandgefahr kommen.

DIESE ANWEISUNGEN AUFBEWAHREN.

⚠️ WARNUNG: Lassen Sie sich NICHT durch Bequemlichkeit oder Vertrautheit mit dem Produkt (durch wiederholten Gebrauch erworben) von der strikten Einhaltung der Sicherheitsregeln für das vorliegende Produkt abhalten. MISSBRAUCH oder Missachtung der Sicherheitsvorschriften in dieser Anleitung können schwere Verletzungen verursachen.

Wichtige Sicherheitsanweisungen für Akku

1. Lesen Sie vor der Benutzung des Akkus alle Anweisungen und Warnhinweise, die an (1) Ladegerät, (2) Akku und (3) Akkuwerkzeug angebracht sind.
2. Unterlassen Sie Zerlegen oder Manipulieren des Akkus. Es kann sonst zu einem Brand, übermäßiger Hitzeentwicklung oder einer Explosion kommen.
3. Falls die Betriebszeit beträchtlich kürzer geworden ist, stellen Sie den Betrieb sofort ein. Anderenfalls besteht die Gefahr von Überhitzung, möglichen Verbrennungen und sogar einer Explosion.
4. Falls Elektrolyt in Ihre Augen gelangt, waschen Sie sie mit sauberem Wasser aus, und begeben Sie sich unverzüglich in ärztliche Behandlung. Anderenfalls können Sie Ihre Sehkraft verlieren.
5. Der Akku darf nicht kurzgeschlossen werden:
 - (1) Die Kontakte dürfen nicht mit leitfähigem Material berührt werden.
 - (2) Lagern Sie den Akku nicht in einem Behälter zusammen mit anderen Metallgegenständen, wie z. B. Nägel, Münzen usw.
 - (3) Setzen Sie den Akku weder Wasser noch Regen aus.
 Ein Kurzschluss des Akkus verursacht starken Stromfluss, der Überhitzung, mögliche Verbrennungen und einen Defekt zur Folge haben kann.
6. Lagern und benutzen Sie das Werkzeug und den Akku nicht an Orten, an denen die Temperatur 50 °C erreichen oder überschreiten kann.
7. Versuchen Sie niemals, den Akku zu verbrennen, selbst wenn er stark beschädigt oder vollkommen verbraucht ist. Der Akku kann im Feuer explodieren.
8. Unterlassen Sie Nägeln, Schneiden, Zerquetschen, Werfen, Fallenlassen des Akkus oder Schlagen des Akkus mit einem harten Gegenstand. Eine solche Handlung kann zu einem Brand, übermäßiger Hitzeentwicklung oder einer Explosion führen.

9. **Benutzen Sie keine beschädigten Akkus.**
10. **Die enthaltenen Lithium-Ionen-Akkus unterliegen den Anforderungen der Gefahrgut-Gesetzgebung.**
Für kommerzielle Transporte, z. B. durch Dritte oder Spediteure, müssen besondere Anforderungen zu Verpackung und Etikettierung beachtet werden.
Zur Vorbereitung des zu transportierenden Artikels ist eine Beratung durch einen Experten für Gefahrgut erforderlich. Bitte beachten Sie möglicherweise ausführlichere nationale Vorschriften. Überkleben oder verdecken Sie offene Kontakte, und verpacken Sie den Akku so, dass er sich in der Verpackung nicht umher bewegen kann.
11. **Entfernen Sie den Akku zum Entsorgen vom Werkzeug, und entsorgen Sie ihn an einem sicheren Ort. Befolgen Sie die örtlichen Vorschriften bezüglich der Entsorgung von Akkus.**
12. **Verwenden Sie die Akkus nur mit den von Makita angegebenen Produkten.** Das Einsetzen der Akkus in nicht konforme Produkte kann zu einem Brand, übermäßiger Hitzebildung, einer Explosion oder Auslaufen von Elektrolyt führen.
13. **Soll das Werkzeug längere Zeit nicht benutzt werden, muss der Akku vom Werkzeug entfernt werden.**
14. **Bei und nach dem Gebrauch kann der Akku heiß werden, was Verbrennungen oder Niedertemperaturverbrennungen verursachen kann. Beachten Sie die Handhabung von heißen Akkus.**
15. **Berühren Sie nicht den Anschlusskontakt des Werkzeugs unmittelbar nach dem Gebrauch, da er heiß genug werden kann, um Verbrennungen zu verursachen.**
16. **Achten Sie darauf, dass sich keine Späne, Staub oder Schmutz in den Anschlusskontakten, Löchern und Nuten des Akkus absetzen.** Es könnte sonst zu Erhitzung, Brandauslösung, Bersten und Funktionsstörungen des Werkzeugs oder des Akkus kommen, was zu Verbrennungen oder Personenschäden führen kann.
17. **Wenn das Werkzeug den Einsatz in der Nähe einer Hochspannungs-Stromleitung nicht unterstützt, benutzen Sie den Akku nicht in der Nähe einer Hochspannungs-Stromleitung.** Dies kann zu einer Funktionsstörung oder Betriebsstörung des Werkzeugs oder des Akkus führen.
18. **Halten Sie die Batterie von Kindern fern.**

DIESE ANWEISUNGEN AUFBEWAHREN.

⚠ VORSICHT: Verwenden Sie nur Original-Makita-Akkus. Die Verwendung von Nicht-Original-Makita-Akkus oder von Akkus, die abgeändert worden sind, kann zum Bersten des Akkus und daraus resultierenden Bränden, Personenschäden und Beschädigung führen. Außerdem wird dadurch die Makita-Garantie für das Makita-Werkzeug und -Ladegerät ungültig.

Hinweise zur Aufrechterhaltung der maximalen Akku-Nutzungsdauer

1. **Laden Sie den Akku, bevor er vollkommen erschöpft ist. Schalten Sie das Werkzeug stets aus, und laden Sie den Akku, wenn Sie ein Nachlassen der Werkzeugleistung feststellen.**
2. **Unterlassen Sie erneutes Laden eines voll aufgeladenen Akkus. Überladen führt zu einer Verkürzung der Nutzungsdauer des Akkus.**
3. **Laden Sie den Akku bei Raumtemperatur zwischen 10 – 40 °C. Lassen Sie einen heißen Akku abkühlen, bevor Sie ihn laden.**
4. **Wenn Sie den Akku nicht benutzen, nehmen Sie ihn vom Werkzeug oder Ladegerät ab.**
5. **Der Akku muss geladen werden, wenn er lange Zeit (länger als sechs Monate) nicht benutzt wird.**

BEZEICHNUNG DER TEILE

- **Abb.1:** 1. Kopfeinheit 2. Schwimmer
3. Schwimmerkäfig 4. Tuchfilter 5. Tank

FUNKTIONSBESCHREIBUNG

⚠ VORSICHT: Vergewissern Sie sich vor der Durchführung von Einstellungen oder Funktionsprüfungen des Gerätes stets, dass das Gerät ausgeschaltet ist und die Akkus abgenommen sind.

Anbringen und Abnehmen des Akkus

⚠ VORSICHT: Schalten Sie das Gerät stets aus, bevor Sie die Akkus anbringen oder abnehmen.

⚠ VORSICHT: Halten Sie das Sauggerät und die Akkus beim Anbringen oder Abnehmen der Akkus sicher fest. Andernfalls kann es dazu führen, dass sie Ihnen aus der Hand rutschen, was zu Schäden am Sauggerät und an den Akkus oder zu Personenschäden führen kann.

⚠ VORSICHT: Achten Sie beim Öffnen oder Schließen der Akkuabdeckung darauf, dass Sie sich nicht die Finger klemmen. Andernfalls kann es zu Personenschäden kommen.

Das Sauggerät verfügt über zwei Akkuschächte. Mit zwei identischen Akkus, die parallel verwendet werden, können Sie die Laufzeit bei einer oder mehreren Verwendungen verlängern, ohne dass Sie zum Aufladen der Akkus anhalten müssen. Das Sauggerät arbeitet auch mit einem einzelnen Akku, so dass Sie je nach Ihren Bedürfnissen entweder mit zwei Akkus oder mit einem einzelnen Akku arbeiten können.

- **Abb.2:** 1. Linker Akkuschacht 2. Rechter Akkuschacht

Mit zwei Akkus

Kontinuierlicher Antrieb mit zwei Akkus ermöglicht längere Laufzeit und effizientere Reinigung. Wenn der erste Akku leer wird, schaltet das Sauggerät automatisch auf die andere Stromquelle um, so dass es mit dem zweiten Akku weiterarbeitet.

HINWEIS: Der linke Akkuschacht (bei Frontansicht des Sauggerätes) hat Vorrang vor dem rechten Akkuschacht. Der rechte Akkuschacht wird nur dann als Stromquelle identifiziert, wenn entweder kein Akku im linken Akkuschacht installiert ist oder der Akku im linken Akkuschacht leer wird.

HINWEIS: Sie können den Akku aus dem linken Akkuschacht entnehmen und wieder aufladen, nachdem das Sauggerät seine Stromquelle vom linken auf den rechten Akkuschacht umgeschaltet hat, ohne den Betrieb zu unterbrechen. Um dem linken Akkuschacht nach dem Installieren eines aufgeladenen Akkus wieder Vorrang zu geben, starten Sie das Sauggerät neu.

Mit einem einzelnen Akku

Es wird nur ein Akku als Stromquelle im linken oder rechten Akkuschacht benötigt. Das Sauggerät bestimmt je nach den Betriebsbedingungen automatisch, welcher Akkuschacht verfügbar ist.

Installation und Deinstallation

Um die Akkus zu installieren, lösen Sie zuerst die Verriegelung, und öffnen Sie die Akkuabdeckung. Setzen Sie dann die Akkus ein.

► **Abb.3:** 1. Verschluss 2. Akkuabdeckung

Richten Sie die Führungsfedern der Akkus auf die Nuten des Akkugehäuses aus und schieben Sie sie ein. Schieben Sie sie bis zum Anschlag ein, bis sie mit einem leisen Klick einrasten.

Verriegeln Sie dann die Akkuabdeckung.

► **Abb.4:** 1. Akku 2. Knopf

Um die Akkus zu entfernen, schieben Sie sie aus dem Akkugehäuse, während Sie die Knöpfe vor den Akkus gedrückt halten.

⚠ VORSICHT: Setzen Sie den Akku immer vollständig ein. Anderenfalls kann er versehentlich aus dem Gerät herausfallen und Sie oder umstehende Personen verletzen.

⚠ VORSICHT: Unterlassen Sie Gewaltanwendung beim Anbringen des Akkus. Falls der Akku nicht reibungslos hineingleitet, ist er nicht richtig ausgerichtet.

HINWEIS: Wenn das Sauggerät die Stromquelle vom ersten auf den zweiten Akku umschaltet, muss der Betrieb möglicherweise vorübergehend unterbrochen werden, was einen geringfügigen Verlust der Saugleistung verursacht. Bitte beachten Sie, dass es sich nicht um eine Funktionsstörung handelt, so dass sich das Sauggerät erholt und den Betrieb nach der Pause sofort wieder aufnimmt.

Anzeigen der Akku-Restkapazität

Drücken Sie die Prüftaste am Akku, um die Akku-Restkapazität anzuzeigen. Die Anzeigelampen leuchten wenige Sekunden lang auf.

► **Abb.5:** 1. Anzeigelampen 2. Prüftaste

Anzeigelampen			Restkapazität
Erleuchtet	Aus	Blinkend	
			75% bis 100%
			50% bis 75%
			25% bis 50%
			0% bis 25%
			Den Akku aufladen.
			Möglicherweise liegt eine Funktionsstörung im Akku vor.

HINWEIS: Abhängig von den Benutzungsbedingungen und der Umgebungstemperatur kann die Anzeige geringfügig von der tatsächlichen Kapazität abweichen.

HINWEIS: Die erste (äußerste linke) Anzeigelampe blinkt, wenn das Akku-Schutzsystem aktiv ist.

Akku-Anzeigen am Bedienfeld

Die Akku-Restkapazität kann jederzeit auf dem Bedienfeld abgelesen werden. Wenn Sie die Prüftaste drücken, zeigen die linke und rechte Anzeige den Ladezustand des Akkus entsprechend an.

► **Abb.6:** 1. Akku-Anzeigen 2. Prüftaste

► **Abb.7**

Status der Akku-Anzeige			Akku-Restkapazität
Ein	Aus	Blinkend	
			50% bis 100%
			20% bis 50%
			0% bis 20%
			Akku aufladen
			Kein Akku eingesetzt

HINWEIS: Die Akku-Anzeigen werden auch aktiviert, wenn das Sauggerät in Betrieb geht oder seine Stromquelle wechselt.

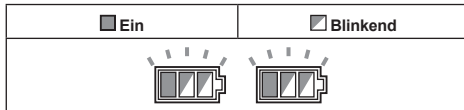
Geräte-/Akku-Schutzsystem

Das Gerät ist mit einem Geräte-/Akku-Schutzsystem ausgestattet. Dieses System schaltet die Stromversorgung des Motors automatisch ab, um die Lebensdauer von Gerät und Akku zu verlängern. Das Gerät bleibt während des Betriebs automatisch stehen, wenn das Gerät oder der Akku einer der folgenden Bedingungen unterliegt:

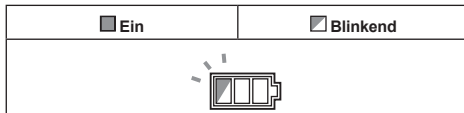
Überlastschutz

Wird das Gerät/der Akku in einer Weise betrieben, die eine ungewöhnlich hohe Stromaufnahme bewirkt, bleibt das Gerät automatisch stehen. Schalten Sie in dieser Situation das Gerät aus, und brechen Sie die Anwendung ab, die eine Überlastung des Gerätes verursacht hat. Schalten Sie dann das Gerät wieder ein, um es neu zu starten.

Überhitzungsschutz



Wenn das Gerät überhitzt ist, bleibt es automatisch stehen, und die Anzeigen für den linken und rechten Akku blinken. Lassen Sie das Gerät in dieser Situation abkühlen, bevor Sie es wieder einschalten.



Wenn der Akku überhitzt ist, bleibt das Gerät automatisch stehen, und eine der Anzeigen für einen überhitzten Akku blinkt. Lassen Sie den Akku in dieser Situation abkühlen, bevor Sie das Gerät wieder einschalten.

Überentladungsschutz

Wenn die Akkukapazität niedrig wird, bleibt das Gerät automatisch stehen. Falls das Gerät nicht mit der Schalterbetätigung läuft, nehmen Sie die Akkus aus dem Gerät und laden Sie sie auf.

Schutz gegen andere Ursachen

Das Schutzsystem ist auch für andere Ursachen ausgelegt, die eine Beschädigung des Gerätes verursachen könnten, und ermöglicht, dass das Gerät automatisch stehen bleibt. Führen Sie alle folgenden Schritte aus, um die Ursachen zu beseitigen, wenn das Gerät vorübergehend zum Stillstand gekommen ist oder im Betrieb stehen geblieben ist.

1. Schalten Sie das Gerät aus und dann wieder ein, um es neu zu starten.
2. Laden Sie den/die Akku(s) auf oder tauschen Sie ihn/sie gegen einen aufgeladenen Akku/aufgeladene Akkus aus.
3. Lassen Sie das Gerät und den/die Akku(s) abkühlen.

Falls die Wiederherstellung des Schutzsystems keine Besserung bringt, wenden Sie sich an Ihre lokale Makita-Kundendienststelle.

Schalterfunktion

Einschalten des Sauggerätes

1. Drehen Sie den Bereitschaftsschalter auf die Position "I" (EIN), um das Sauggerät im Bereitschaftsmodus zu halten.
2. Drücken Sie die Ein-Aus-Taste. Um wieder in den Bereitschaftsmodus zu wechseln, drücken Sie erneut die Ein-Aus-Taste.

Ausschalten des Sauggerätes

Führen Sie einen der folgenden Schritte aus.

- Drücken Sie die Ein-Aus-Taste, um das Sauggerät wieder in den Bereitschaftsmodus zu versetzen, und stellen Sie dann den Bereitschaftsschalter auf die Position "O" (AUS).
- Stellen Sie den Bereitschaftsschalter auf die Position "O" (AUS).

Einstellen der Saugkraft

Die Saugkraft kann an die jeweils anstehende Arbeit angepasst werden.

- Drehen Sie den Saugkraft-Einstellknopf nach links, um die Saugkraft zu verringern.
- Drehen Sie den Saugkraft-Einstellknopf nach rechts, um die Saugkraft zu erhöhen.

► **Abb.8:** 1. Bereitschaftsschalter 2. Ein-Aus-Taste 3. Saugkraft-Einstellknopf

Saugstoppautomatik während des Nassaugbetriebs

⚠️ WARNUNG: Benutzen Sie den Staubsauger nicht für längere Zeit, während der Schwimmer in Betrieb ist.

Wird der Staubsauger längere Zeit benutzt, während der Schwimmer in Betrieb ist, kann es zu Überhitzung kommen, die in einer Verformung des Staubsaugers resultieren kann.

⚠️ WARNUNG: Saugen Sie keinen Schaum oder seifige Flüssigkeit auf. Es kann bewirken, dass Schaum aus dem Luftauslass austritt, bevor der Schwimmer arbeitet. Fortgesetzter Betrieb unter solchen Bedingungen kann einen elektrischen Schlag und eine Beschädigung des Sauggerätes verursachen.

Die Saugstopp-Automatikfunktion funktioniert nur, während das Sauggerät mit dem Schwimmer und dem Schwimmerkäfig verwendet wird. Das Sauggerät besitzt einen Schwimmermechanismus, der Eindringen von Wasser in den Motor verhindert, wenn mehr als eine bestimmte Wassermenge aufgesaugt wird. Wenn der Tank voll ist und das Sauggerät kein Wasser mehr aufsaugt, schalten Sie das Sauggerät aus, und entleeren Sie den Tank.

Verriegeln und Entriegeln der Laufrollen

Die hinteren Laufrollen können mit Stoppern arretiert werden, um das Sauggerät zum Stillstand zu bringen. Senken Sie den Stopperhebel von Hand ab, um die Laufrolle zu arretieren, und heben Sie ihn an, um sie zu lösen.

► **Abb.9:** 1. Laufrolle 2. Stopperhebel 3. Entriegelte Stellung 4. Verriegelte Stellung

HINWEIS: Vergewissern Sie sich vor dem Bewegen des Sauggerätes, dass die Laufrolle entriegelt ist. Bewegen des Sauggerätes mit verriegelter Laufrolle kann eine Beschädigung der Laufrolle verursachen.

Tragehandgriff

⚠ VORSICHT: Heben und tragen Sie das Gerät mit der gebotenen Sorgfalt. Anderenfalls kann es zu Personenschäden oder Beschädigung des Gerätes kommen.

Halten Sie das Sauggerät beim Tragen am Handgriff an der Kopfeinheit. Der Handgriff ist bei Nichtgebrauch an der Kopfeinheit einklappbar.

► **Abb.10**

MONTAGE

⚠ VORSICHT: Vergewissern Sie sich vor der Ausführung von Arbeiten am Gerät stets, dass das Gerät ausgeschaltet ist und die Akkus abgenommen sind.

⚠ VORSICHT: Tragen Sie während der Montage oder Wartung immer eine Staubmaske.

Installieren des Pulverfilters (HEPA) und des Vorfilters (für Trockenstaub)

Sonderzubehör

⚠ VORSICHT: Saugen Sie niemals Wasser oder andere Flüssigkeiten oder Nassstaub auf, wenn Sie den Pulverfilter verwenden. Durch Aufsaugen solcher Substanzen kann der Pulverfilter beschädigt werden.

Zum Verwenden des Pulverfilters:

1. Lösen Sie die Schrauben, die den Schwimmerkäfig sichern, und entfernen Sie dann die Schrauben, den Schwimmerkäfig und den Schwimmer von der Kopfeinheit.
► **Abb.11:** 1. Schraube 2. Schwimmerkäfig
3. Schwimmer 4. Kopfeinheit

2. Entfernen Sie den Tuchfilter aus dem Tank.
► **Abb.12:** 1. Tuchfilter 2. Tank

3. Setzen Sie den Vorfilter in den Tank ein, wobei Sie die Montagepositionsmarkierungen an Vorfilter und Tank ausrichten.

4. Setzen Sie den Dämpfer in den Vorfilter ein, und setzen Sie dann den Pulverfilter über den Dämpfer, wobei Sie die Montagepositionsmarkierungen auf dem Pulverfilter und dem Vorfilter ausrichten.

5. Montieren Sie die Kopfeinheit über dem Tank, und sichern Sie sie mit den Verriegelungsklinken.

► **Abb.13:** 1. Kopfeinheit 2. Pulverfilter (HEPA)
3. Dämpfer 4. Vorfilter 5. Tank
6. Montagepositionsmarkierung

ANMERKUNG: Stellen Sie vor der Benutzung des Pulverfilters sicher, dass Vorfilter und Dämpfer immer zusammen verwendet werden. Es ist nicht erlaubt, den Pulverfilter allein zu installieren.

Installieren des Wasserfilters

Sonderzubehör

ANMERKUNG: Saugen Sie niemals Wasser oder Nassstaub ohne den Schwimmer und den Tuchfilter oder Wasserfilter auf.

ANMERKUNG: Um Nassstaub aufzusaugen, stellen Sie sicher, dass Schwimmerkäfig und Schwimmer am Staubsauger installiert sind.

ANMERKUNG: Wenn Sie den Wasserfilter am Tank installieren, bringen Sie ihn fest an der Öffnung des Tanks an, so dass der Haken des Wasserfilters fest in die Tanköffnung eingreift und kein Spiel zwischen Wasserfilter und Tank besteht.

Um nur Wasser oder Nassstaub aufzusaugen, ist der Wasserfilter besser geeignet als der Tuchfilter. Wenn Sie den Wasserfilter installieren, richten Sie seine Montagepositionsmarkierung auf die Markierung am Tank aus.

► **Abb.14:** 1. Wasserfilter 2. Tank
3. Montagepositionsmarkierung

HINWEIS: Es wird empfohlen, den Wasserfilter zu verwenden, wenn wiederholt große Wassermengen aufgesaugt werden. Anderenfalls kann die Saugleistung im Falle eines Tuchfilters reduziert werden.

Einsetzen des Papierbeutels

Sonderzubehör

⚠ WARNUNG: Vergewissern Sie sich vor der Benutzung des Papierbeutels, dass der Tuchfilter oder der Vorfilter zusammen verwendet wird. Wird der Tuchfilter/Vorfilter nicht zusammen mit dem Papierbeutel verwendet, können ungewöhnliche Geräusche und Hitze erzeugt werden, was zu einem Brand führen kann.

ANMERKUNG: Saugen Sie niemals Wasser oder andere Flüssigkeiten oder Nassstaub auf, wenn Sie den Papierbeutel verwenden. Durch Aufsaugen solcher Substanzen kann der Papierbeutel beschädigt werden.

ANMERKUNG: Vergewissern Sie sich bei Verwendung des Tuchfilters, dass der Schwimmer und der Schwimmerkäfig an der Kopfeinheit angebracht sind.

ANMERKUNG: Vergewissern Sie sich bei Verwendung des Vorfilters, dass der Pulverfilter und der Dämpfer zusammen verwendet werden.

1. Entfalten Sie einen Papierbeutel.
2. Richten Sie die Öffnung des Papierbeutels auf den Staubeinlass des Tanks aus.
3. Setzen Sie den Papierbeutel so in den Tank ein, dass seine Kartonöffnung in den Papierbeutelhalter eingehakt ist.
► **Abb.15:** 1. Papierbeutel 2. Kartonöffnung
3. Papierbeutelhalter 4. Staubeinlass

Installieren des Polyethylenbeutels

Mit einem im Tank installierten Polyethylenbeutel können Sie den Tank leicht entleeren, ohne sich die Hände schmutzig zu machen.

Legen Sie einen Polyethylenbeutel über den Tank und schieben Sie eine Seite der Oberkante des Beutels an seinem offenen Ende zwischen die Halterplatte und die Vorderwand des Tanks.

► **Abb.16:** 1. Halterplatte 2. Vorderwand des Tanks 3. Polyethylenbeutel

Spitzen Sie die anderen oberen Kanten des Beutels nach außen über die oberen Ränder des Tanks. Legen Sie den Tuchfilter oder Vorfilter über den Polyethylenbeutel, um die Öffnung des Beutels sicher zu verschließen.

► **Abb.17:** 1. Tuchfilter / Vorfilter

HINWEIS: Ein im Fachhandel erhältlicher Polyethylenbeutel kann verwendet werden. Beutel mit einer Dicke von mindestens 0,04 mm werden empfohlen.

HINWEIS: Zu viel Staub kann den Beutel leicht zum Zerreißen bringen. Sammeln Sie daher nicht mehr Staub als die Hälfte des Fassungsvermögens des Beutels auf.

Entleeren des Tanks mit Polyethylenbeutel

⚠ WARNUNG: Vergewissern Sie sich vor dem Entleeren des Tanks immer, dass das Sauggerät ausgeschaltet ist und die Akkus abgenommen sind. Anderenfalls kann es zu einem elektrischen Schlag und schweren Personenschäden kommen.

ANMERKUNG: Schützen Sie den Schwimmerkäfig und Tank vor starken Stößen. Starke Stöße können die Teile verformen und beschädigen.

ANMERKUNG: Entleeren Sie den Tank mindestens einmal pro Tag, obwohl dies von der im Tank angesammelten Staubmenge abhängt. Anderenfalls verschlechtert sich die Saugkraft, und der Motor kann beschädigt werden.

ANMERKUNG: Fassen Sie beim Entleeren des Tanks nicht an die Haken oder Klinken. Das Anfassen der Haken oder Klinken kann deren Bruch verursachen.

Lösen Sie die Verriegelungsklinken, und heben Sie die Kopfeinheit vom Tank ab.

Schütteln Sie den Staub vom Tuchfilter oder Vorfilter ab, bevor Sie den Filter vom Tank abheben.

Nehmen Sie dann den Polyethylenbeutel aus dem Tank, wobei Sie die Öffnung des Beutels mit der Hand verschließen.

► **Abb.18:** 1. Polyethylenbeutel 2. Tank

HINWEIS: Nehmen Sie den Polyethylenbeutel vorsichtig aus dem Tank, um zu vermeiden, dass er durch die Kanten im Tank zerkratzt und zerrissen wird.

HINWEIS: Entleeren Sie den Polyethylenbeutel, bevor er ganz voll wird. Zu viel Staub im Tank kann Zerreißen des Polyethylenbeutels verursachen.

Installieren des Multi-Hakens

Verwenden Sie den Multi-Haken, um einen Schlauch, Zubehör und Anbauteile, die nicht verwendet werden, an Ort und Stelle zu halten, damit Sie sie gemäß Ihren Präferenzen schnell herausnehmen können.

► **Abb.19**

Setzen Sie den Multi-Haken auf die Montagebasis auf der Rückseite des Sauggerätes, und richten Sie die Schienen am Multi-Haken entlang den Nuten an der Montagebasis aus.

► **Abb.20:** 1. Multi-Haken 2. Montagebasis

Installieren des MAKPAC-Adapters

Sonderzubehör

Mit einem optionalen Adapter können anschließbare und stapelbare MAKPAC-Aufbewahrungsbehälter auf dem Sauggerät installiert werden. Die Behälter sind in vielen Größen und Ausführungen erhältlich, um Ihren Wünschen gerecht zu werden.

Setzen Sie den Haken der Montagebasis auf den Handgriff des Sauggerätes, wobei die Montagefläche nach oben zeigt, wenn der Handgriff in die geschlossene Position geklappt ist.

► **Abb.21:** 1. Montagebasishaken 2. Montagefläche 3. Handgriff

Montieren Sie den MAKPAC-Adapter an den Montagebasishaken, und sichern Sie die Teile mit vier mitgelieferten Schrauben.

► **Abb.22:** 1. MAKPAC-Adapter 2. Montagebasishaken 3. Schraube

Heben Sie den Druckbügel an, und ziehen Sie den Knopf fest, um die Installation der MAKPAC-Behälter am Sauggerät vorzubereiten.

► **Abb.23:** 1. Druckbügel 2. Knopf

HINWEIS: Einzelheiten zur Installation der MAKPAC-Behälter finden Sie in den Anweisungen, die mit dem MAKPAC-Adapter und den Behältern geliefert werden.

Installieren des Schlauchs

ANMERKUNG: Biegen Sie den Schlauch niemals gewaltsam, und vermeiden Sie, auf ihn zu treten. Bewegen Sie das Sauggerät niemals durch Ziehen am Schlauch. Gewaltanwendung, Stampfen und Ziehen des Schlauchs können eine Beschädigung oder Verformung des Schlauchs verursachen.

ANMERKUNG: Wenn Sie größere Abfallstücke, wie z. B. Hobelspäne, Betonstaub oder ähnliche größere Abfallstücke aufsaugen, verwenden Sie den Schlauch mit 38 mm Innendurchmesser (Sonderzubehör). Bei Verwendung des Schlauchs mit 28 mm Innendurchmesser (Sonderzubehör) kann es zu Verstopfung und Beschädigung des Schlauchs kommen.

Anschluss an das Sauggerät

Führen Sie das Schlauchende in den Staubeinlass (Schlaucheinlass) des Sauggerätes ein, und drehen Sie es dann im Uhrzeigersinn, bis es einrastet.

- **Abb.24:** 1. Schlauch 2. Staubeinlass (Schlaucheinlass)

Anschluss an Ihre Arbeitsgeräte (länderspezifisch)

Durch Anschließen des Sauggerätes an alle verfügbaren Arbeitsgeräte, die mit dem Sauggerät kompatibel sind, funktioniert es als Staubabsauger für Ihre Elektrowerkzeuge.

Wählen Sie eine der Frontmanschetten oder Verbindungsstücke (Sonderzubehör), die für Ihr Werkzeugmodell am besten geeignet sind. Platzieren Sie die Manschetten bzw. das Verbindungsstück je nach Bedarf zwischen dem vorderen Ende des Sauggeräteschlauchs und einer Staubabsaugöffnung Ihres Werkzeugs.

- **Abb.25:** 1. Frontmanschetten oder Verbindungsstück 2. Sauggeräteschlauch 3. Elektrowerkzeug 4. Sauggerät

Montieren und Demontieren von Sauggeräteaufsätzen

⚠ VORSICHT: Prüfen Sie nach der Anbringung eines Aufsatzes, ob er sicher angebracht ist. Falls der Aufsatz unvollständig angebracht ist, kann er sich lösen und Personenschäden verursachen.

Bei Verwendung des Aufsatzes ohne Verriegelungsfunktion

Sonderzubehör

Setzen Sie einen Aufsatz in den Saugeinlass des Sauggerätes ein, indem Sie ihn einschieben und von Hand festschrauben.

Drehen Sie den Aufsatz mit der Hand, und ziehen Sie ihn nach Gebrauch vom Saugeinlass ab.

- **Abb.26**

Aufsätze mit Verriegelungsfunktion

Sonderzubehör

ANMERKUNG: Achten Sie beim Anbringen des Aufsatzes mit Verriegelungsfunktion darauf, dass der Entriegelungsknopf auf die Raste am Aufsatz ausgerichtet ist. Falls sie nicht ausgerichtet sind, wird der Aufsatz nicht verriegelt und kann sich vom Staubsauger lösen.

Stecken Sie einen Aufsatz in den Saugeinlass des Sauggerätes, indem Sie diese mit einem Klick zusammenschieben.

Um den Aufsatz zu entfernen, ziehen Sie ihn ab, während Sie den Entriegelungsknopf drücken.

- **Abb.27:** 1. Saugeinlass mit Verriegelungsfunktion 2. Entriegelungsknopf 3. Aufsatz mit Verriegelungsfunktion

HINWEIS: Ein Aufsatz mit Verriegelungsfunktion kann nur in den Saugeinlass mit Verriegelungsfunktion installiert werden.

- **Abb.28:** 1. Aufsatz mit Verriegelungsfunktion 2. Saugeinlass mit Verriegelungsfunktion 3. Saugeinlass ohne Verriegelungsfunktion

Einstellen der Länge des Klemmknopf-Verlängerungsrohrs

Sonderzubehör

Ein Klemmknopf-Verlängerungsrohr kann für kürzere oder längere Längen kombiniert werden. Es ermöglicht die Reinigung schwer zugänglicher Bereiche und komfortable Positionierungsoptionen.

Ziehen Sie das Schieberohr ein und aus, um die Rohrlänge zu ändern, während Sie den Klemmknopf gedrückt halten.

Lassen Sie den Klemmknopf los, um das Schieberohr in der gewünschten Position zu fixieren.

- **Abb.29:** 1. Schieberohr 2. Klemmknopf

WARTUNG

⚠ VORSICHT: Vergewissern Sie sich vor der Durchführung von Inspektions- oder Wartungsarbeiten stets, dass das Gerät ausgeschaltet ist und die Akkus abgenommen sind.

ANMERKUNG: Verwenden Sie auf keinen Fall Benzin, Waschbenzin, Verdünnern, Alkohol oder dergleichen. Solche Mittel können Verformung, Verformung oder Rissbildung verursachen.

Um die SICHERHEIT und ZUVERLÄSSIGKEIT dieses Produkts zu gewährleisten, sollten Reparaturen und andere Wartungs- oder Einstellarbeiten nur von Makita-Vertragswerkstätten oder Makita-Kundendienstzentren unter ausschließlicher Verwendung von Makita-Originalersatzteilen ausgeführt werden.

Aufbewahrung von Zubehörteilen

Nicht verwendetes Zubehör und Aufsätze, wie z. B. Düsen und Bürsten, können im Multi-Haken an der Rückseite des Sauggerätes befestigt und aufbewahrt werden.

- **Abb.30:** 1. Multi-Haken 2. Nicht verwendetes Zubehör und Aufsätze

Rohre (mit optionalem Stopper) können in den Rohrhalter gelegt werden, wenn das Sauggerät für kurze Zeit nicht verwendet wird.

- **Abb.31:** 1. Stopper (Sonderzubehör) 2. Rohrhalter

Ein Schlauch kann in großen Schlaufen um das Gehäuse oder den Handgriff des Sauggerätes gewickelt und aufbewahrt werden. Verbinden Sie seine beiden Enden zu Schlaufen, und hängen Sie die Schlaufen in den hochgeklappten Handgriff ein. Alternativ können Sie das Wurzelende im Schlaucheinlass installiert lassen und die Schlaufen mit einem angebundenden losen Ende an den Multi-Haken hängen.

- **Abb.32**

- **Abb.33**

Reinigen des Tuchfilters

Reinigen Sie den Tuchfilter in regelmäßigen Abständen, da ein verstopfter Tuchfilter zu einer schlechten Saugleistung führen kann.

Wischen Sie den Tuchfilter gelegentlich mit der Hand ab und schütteln Sie den Staub ab.

- **Abb.34:** 1. Tuchfilter

Reinigen des Pulverfilters (HEPA) und Vorfilters

Sonderzubehör

Reinigen Sie den Pulverfilter, den Vorfilter und den Dämpfer in regelmäßigen Abständen, da verstopfte Filter und Dämpfer zu einer schlechten Saugleistung führen können.

Wischen Sie die Filter und den Dämpfer regelmäßig mit der Hand ab und schütteln Sie den Staub ab.

Waschen Sie den Pulverfilter gelegentlich in Wasser aus, spülen Sie ihn ab, und lassen Sie ihn vor Gebrauch im Schatten trocknen. Waschen Sie die Filter niemals in einer Waschmaschine.

► Abb.35

HINWEIS: Unterlassen Sie Abreiben oder Abkratzen des Pulverfilters, des Vorfilters oder des Dämpfers mit harten Gegenständen, wie z. B. einer Bürste und einer Kratze.

HINWEIS: Die Filter nutzen im Laufe der Zeit ab. Es ist empfehlenswert, Ersatzfilter bereitzuhalten.

SONDERZUBEHÖR

⚠ VORSICHT: Die folgenden Zubehörteile oder Vorrichtungen werden für den Einsatz mit dem in dieser Anleitung beschriebenen Makita-Werkzeug empfohlen. Die Verwendung anderer Zubehörteile oder Vorrichtungen kann eine Verletzungsgefahr darstellen. Verwenden Sie Zubehörteile oder Vorrichtungen nur für ihren vorgesehenen Zweck.

Wenn Sie weitere Einzelheiten bezüglich dieser Zubehörteile benötigen, wenden Sie sich bitte an Ihre Makita-Kundendienststelle.

- Schlauch
- Frontmanschetten (22, 24, 38)
- Gerades Rohr
- Verlängerungsrohr
- Spitzdüse
- Rundbürste
- Pulverfilter, HEPA (für Trockenstaub)
- Dämpfer
- Vorfilter
- Wasserfilter
- Tuchfilter
- Absaugstutzen
- Gebogenes Rohr
- Polyethylenbeutel
- Papierbeutel
- MAKPAC-Adapter
- Original-Makita-Akku und -Ladegerät

HINWEIS: Manche Teile in der Liste können als Standardzubehör im Werkzeugsatz enthalten sein. Sie können von Land zu Land unterschiedlich sein.

Makita Europe N.V. Jan-Baptist Vinkstraat 2,
3070 Kortenberg, Belgium

Makita Corporation 3-11-8, Sumiyoshi-cho,
Anjo, Aichi 446-8502 Japan

www.makita.com

885912A979 EN, PL, HU, SK, CS, UK, RO, DE 20210615
