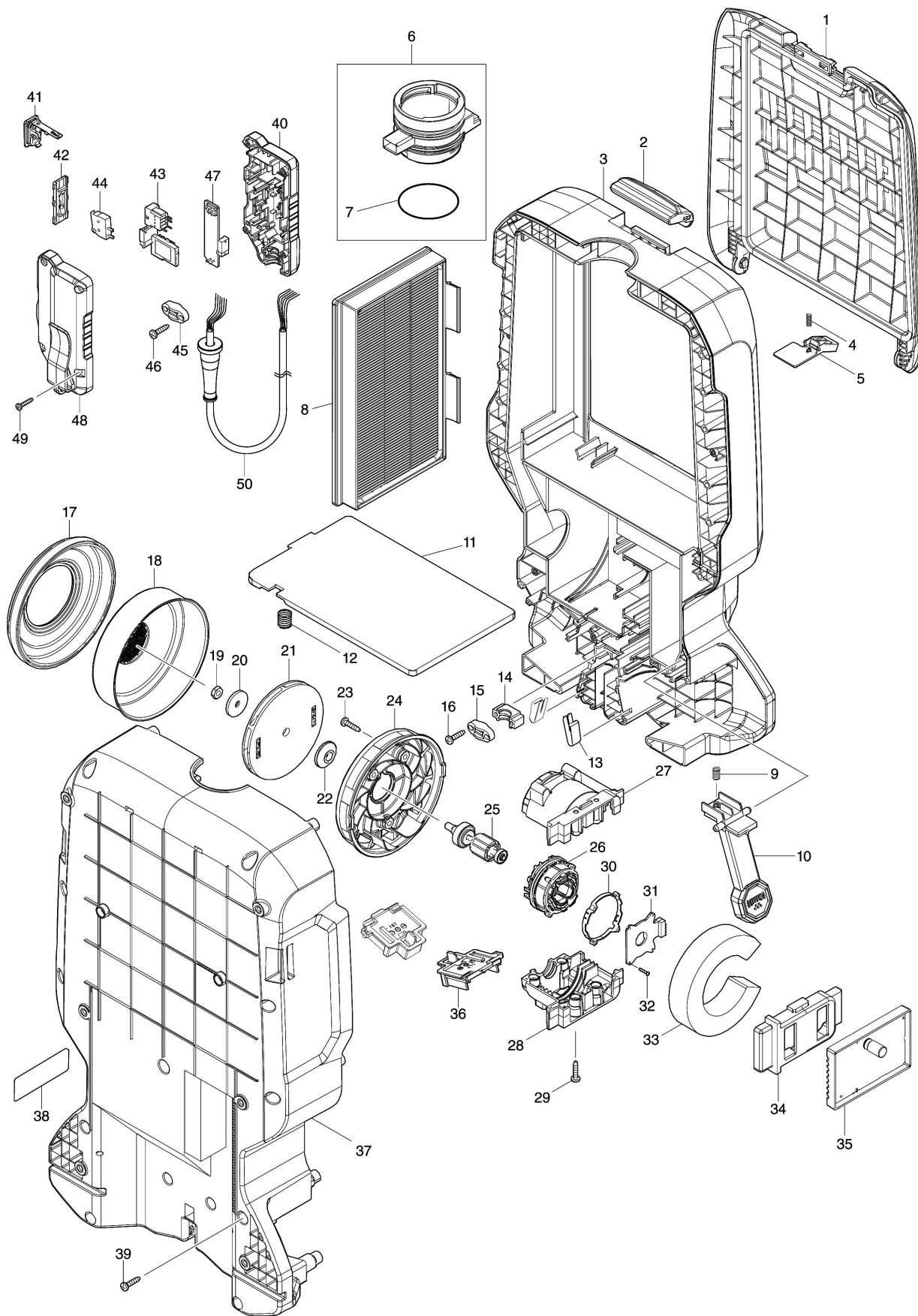
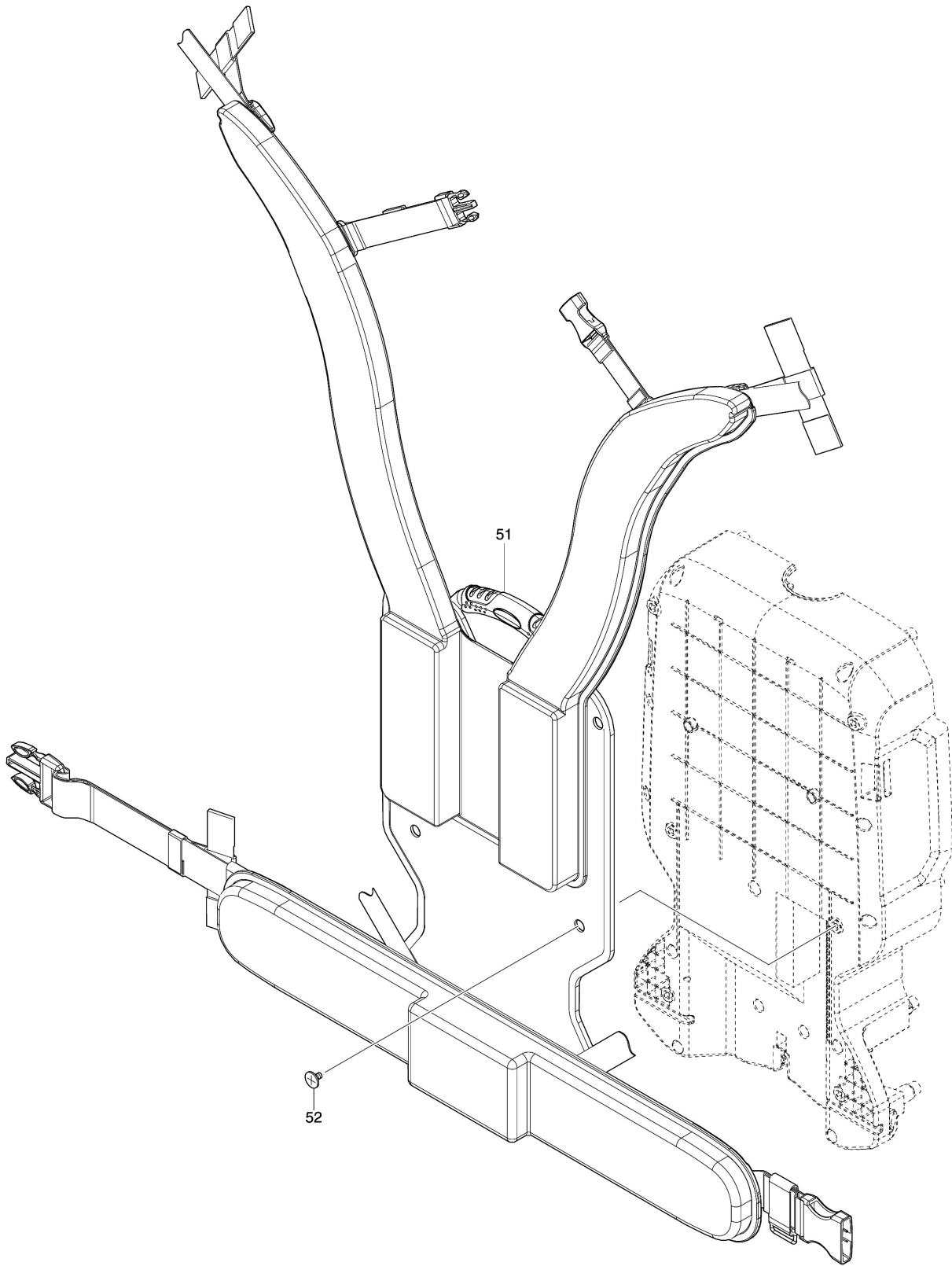


Model No.DVC665 DC BACKPACK VACUUM CLEANER



Model No.DVC665 DC BACKPACK VACUUM CLEANER



Model No.DVC665 DC BACKPACK VACUUM CLEANER

| Položka | Objednávacie číslo | Popis | Zmena | ks | New/Old | Možnosť 1 | Možnosť 2 | Poznámka |
|---------|--------------------|------------------------------------|-------|----|---------|-----------|-----------|----------|
| 001 | 140P98-2 | DUST BOX COVER COMPLETE | | 1 | | | | |
| C10 | 422536-3 | SEAL A | | 1 | | | | |
| 002 | 123586-8 | LATCH ASSEMBLY | | 1 | | | | |
| 003 | 140P92-4 | UPPER HOUSING COMPLETE | | 1 | | | | |
| C10 | 422534-7 | BAND DAMPER D | | 1 | | | | |
| C20 | 422550-9 | BAND DAMPER A | | 1 | | | | |
| 004 | 232389-0 | COMPRESSION SPRING 5 | | 1 | | | | |
| 005 | 412268-0 | STOPPER PLATE | | 1 | | | | |
| 006 | 135771-1 | INLET ASS'Y | | 1 | | | | |
| D10 | | INC. 7 | | | | | | |
| 007 | 213655-4 | O-KRÚŽOK 56 HR3510/20,HM1200.AN | | 1 | | | | |
| 008 | 191D12-9 | MAIN FILTER H SET | | 1 | | | | |
| 009 | 232588-4 | COMPRESSION SPRING 6 | | 1 | | | | |
| 010 | 140P99-0 | LEVER 100 COMPLETE | | 1 | | | | |
| 011 | 459913-6 | PLATE | | 1 | | | | |
| 012 | 234141-2 | COMPRESSION SPRING 12 | | 2 | | | | |
| 013 | 232267-4 | LEAF SPRING | | 2 | | | | |
| 014 | 687051-6 | KABELKLEMMPLATTE | | 1 | | | | |
| 015 | 687123-7 | STRAIN RELIEF | | 1 | | | | |
| 016 | 266326-2 | SKRUTKA SAMOREZNÁ | | 2 | | | | |
| 017 | 422376-9 | SUPPORT RING | | 1 | | | | |
| 018 | 161804-6 | FAN COVER | | 1 | | | | |
| 019 | 252268-6 | HEX. NUT M6 | | 1 | | | | |
| 020 | 322407-3 | WASHER 6 | | 1 | | | | |
| 021 | 241851-4 | KOLESO VENTILÁTORA 94 | | 1 | | | | |
| 022 | 313062-2 | FLANGE | | 1 | | | | |
| 023 | 266326-2 | SKRUTKA SAMOREZNÁ | | 3 | | | | |
| 024 | 456736-3 | FAN BASE | | 1 | | | | |
| 025 | 619517-8 | ROTOR | | 1 | | | | |
| 026 | 629381-9 | STATOR | | 1 | | | | |
| 027 | 183D13-1 | MOTOR HOUSING SET | | 1 | | | | |
| D10 | | INC. 28 | | | | | | |
| 028 | 183D13-1 | MOTOR HOUSING SET | | 1 | | | | |
| D10 | | INC. 27 | | | | | | |
| 029 | 266326-2 | SKRUTKA SAMOREZNÁ | | 4 | | | | |
| 030 | 687464-1 | KRÚŽOK MONTÁŽNY BDF459 | | 1 | | | | |
| 031 | 620526-2 | CONTROLLER B | | 1 | | | | |
| 032 | 266786-8 | + PAN HEAD TAPPING SCREW 2X10 | | 4 | | | | |
| 033 | 422370-1 | BAND DAMPER C | | 1 | | | | |
| 034 | 424837-5 | SUPPORT A | | 1 | | | | |
| 035 | 620C53-7 | CONTROLLER | | 1 | | | | |
| 036 | 644809-6 | TERMINAL | | 2 | | | | |
| 037 | 140P94-0 | LOWER HOUSING COMPLETE | | 1 | | | | |
| C10 | 422535-5 | BAND DAMPER E | | 1 | | | | |

Model No.DVC665 DC BACKPACK VACUUM CLEANER

| Položka | Objednávacie číslo | Popis | Zmena | ks | New/Old | Možnosť 1 | Možnosť 2 | Poznámka |
|---------|--------------------|----------------------------|-------|----|---------|-----------|-----------|----------|
| C20 | 422551-7 | BAND DAMPER B | | 1 | | | | |
| 038 | 856K60-4 | DVC665 NAME PLATE | | 1 | | | | |
| 039 | 266326-2 | SKRUTKA SAMOREZNÁ | | 13 | | | | |
| 040 | 183K75-1 | SWITCH CASE SET | | 1 | | | | |
| C10 | 818F55-5 | SWITCH LABELA | | 1 | | | | |
| C20 | 818F56-3 | SWITCH LABELB | | 1 | | | | |
| D10 | | INC. 48 | | | | | | |
| 041 | 140G18-2 | CAP COMPLETE | | 1 | | | | |
| C10 | 213218-6 | O-KRÚŽOK 16 AN7000 | | 1 | | | | |
| C20 | 818F57-1 | CAP LABEL | | 1 | | | | |
| 042 | 458714-9 | SWITCH LEVER | | 1 | | | | |
| 043 | 620943-6 | SUB CONTROLLER | | 1 | | | | |
| 044 | 632E26-0 | SWITCH UNIT | | 1 | | | | |
| 045 | 687123-7 | STRAIN RELIEF | | 1 | | | | |
| 046 | 266326-2 | SKRUTKA SAMOREZNÁ | | 2 | | | | |
| 047 | 620949-4 | SWITCH CIRCUIT | | 1 | | | | |
| 048 | 183K75-1 | SWITCH CASE SET | | 1 | | | | |
| C10 | 818F55-5 | SWITCH LABELA | | 1 | | | | |
| C20 | 818F56-3 | SWITCH LABELB | | 1 | | | | |
| D10 | | INC. 40 | | | | | | |
| 049 | 266130-9 | SKRUTKA SAMOREZNÁ BIND3X16 | | 4 | | | | |
| 050 | 699137-4 | POWER SUPPLY CORD UNIT | | 1 | | | | |
| 051 | 162750-6 | HARNESS | | 1 | | | | |
| 052 | 265008-3 | SKRUTKA M5 | | 6 | | | | |
| A01 | 152992-0 | HOSE COMPLETE 28-1.5 | | 1 | | | | |
| A02 | 166116-2 | HOSE BAND | | 1 | | | | |
| A03 | 191C26-2 | FILTER BAG SET | | 1 | | | | |
| A08 | 417765-1 | FRONT CUFF 22 | | 1 | | | | |
| A09 | 424379-9 | FRONT CUFF 24 | | 1 | | | | |

Please order the parts with part number.

Print Date 29/1/2020