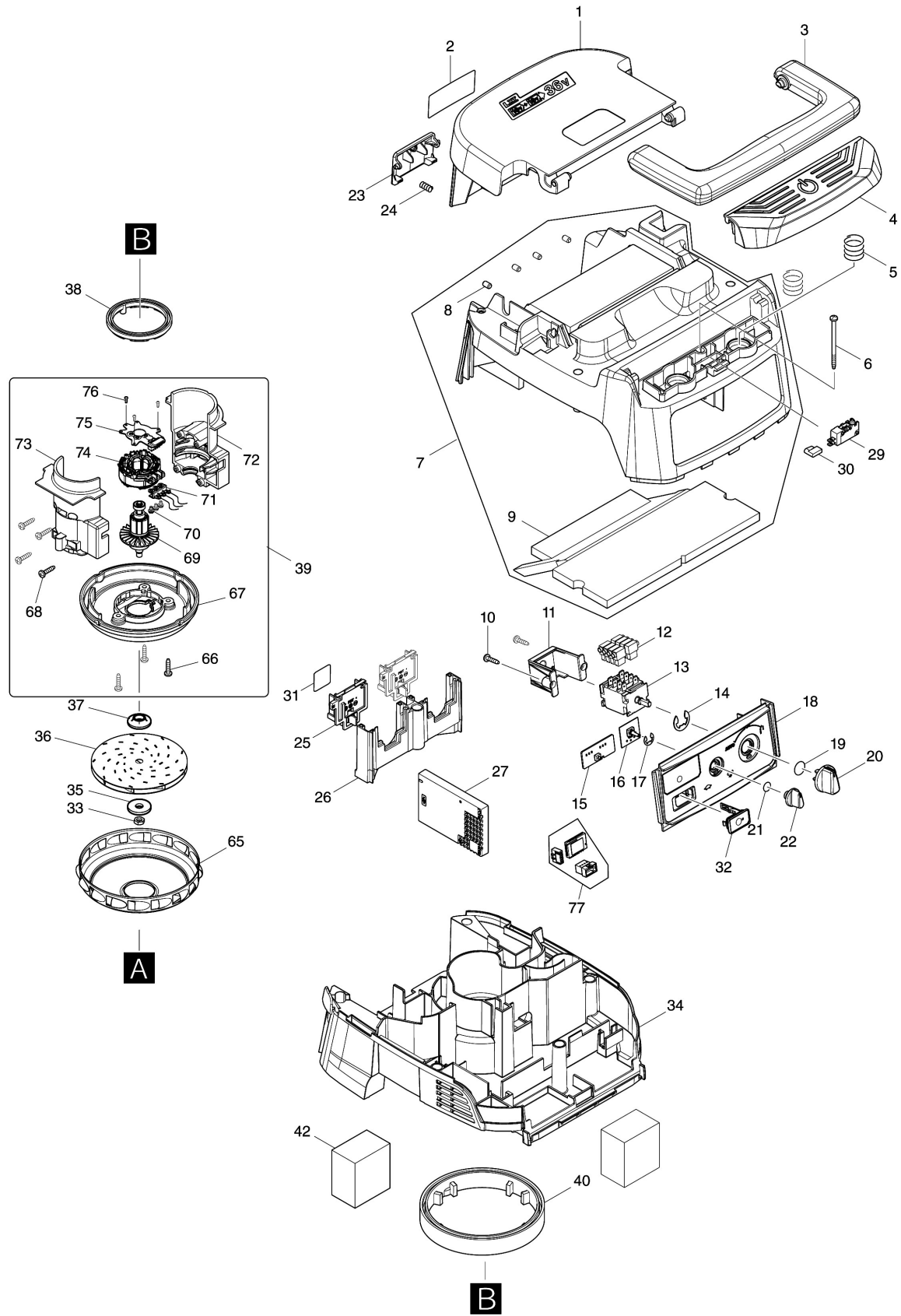
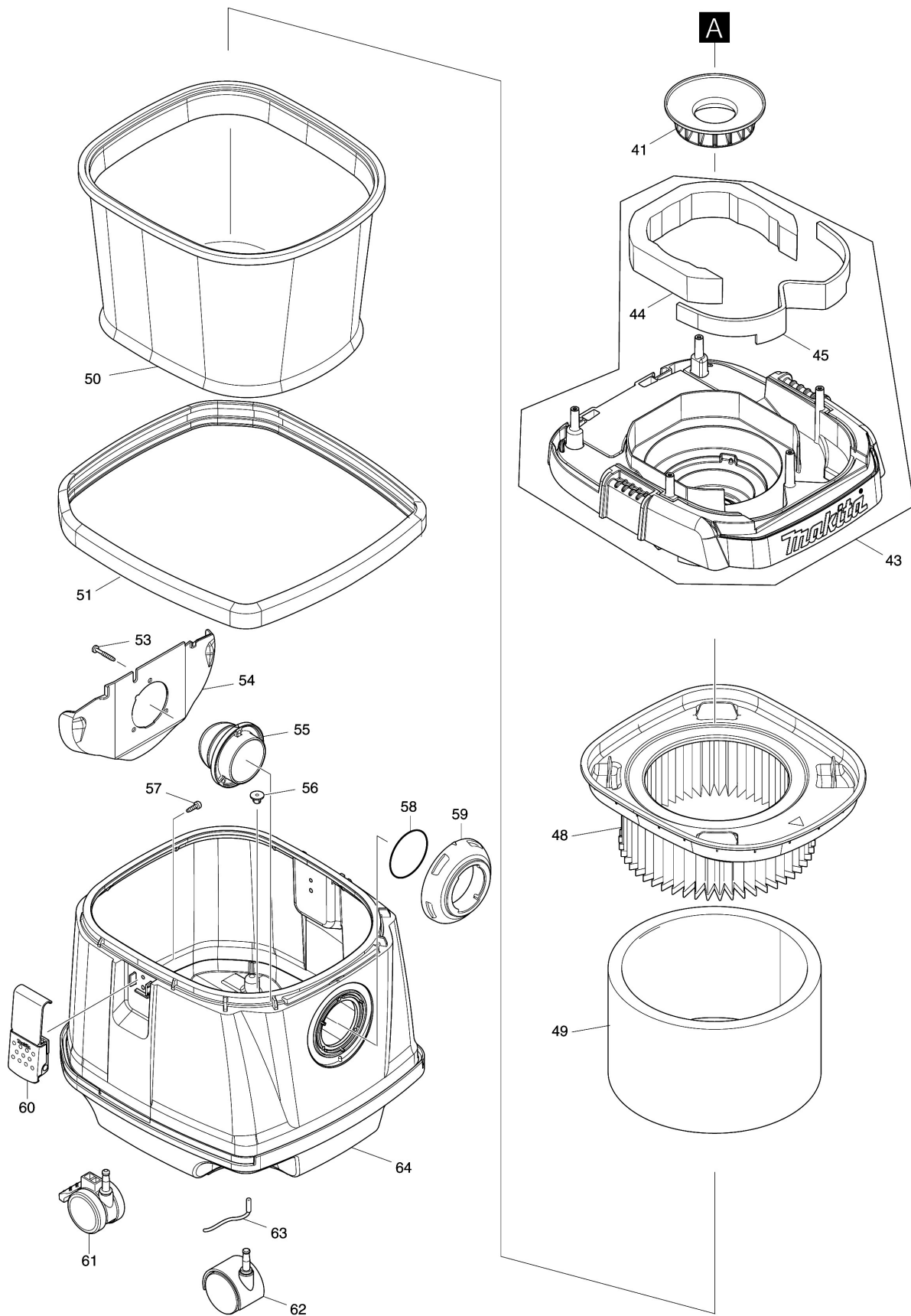


Model No.DVC157L CORDLESS VACUUM CLEANER



Model No.DVC157L CORDLESS VACUUM CLEANER



Model No.DVC157L CORDLESS VACUUM CLEANER

| Položka | Objednávacie číslo | Popis                    | Zmena | ks | New/Old | Možnosť 1 | Možnosť 2 | Poznámka |
|---------|--------------------|--------------------------|-------|----|---------|-----------|-----------|----------|
| 001     | 144486-9           | BATTERY COVER COMPLETE   |       | 1  |         |           |           |          |
| C10     | 891977-8           | CAUTION LABEL            |       | 1  |         |           |           |          |
| 002     | 857C08-1           | DVC157L NAME PLATE       |       | 1  |         |           |           |          |
| 003     | 455734-4           | GRIP                     |       | 1  |         |           |           |          |
| 004     | 459262-1           | SWITCH BUTTON            |       | 1  |         |           |           |          |
| 005     | 234273-5           | COMPRESSION SPRING 20    |       | 2  |         |           |           |          |
| 006     | 266340-8           | TAPPING SCREW 4X65       |       | 6  |         |           |           |          |
| 007     | 144973-8           | COWLING COMPLETE         |       | 1  |         |           |           |          |
| D10     |                    | INC. 8,9                 |       |    |         |           |           |          |
| 008     | 263005-3           | RUBBER PIN 6             |       | 4  |         |           |           |          |
| 009     | 424688-6           | TOP DAMPER               |       | 1  |         |           |           |          |
| 010     | 266326-2           | TAPPING SCREW 4X18       |       | 2  |         |           |           |          |
| 011     | 451343-7           | SWITCH HOLDER            |       | 1  |         |           |           |          |
| 012     | 686023-8           | RECEPTACLE SLEEVE        |       | 8  |         |           |           |          |
| 013     | 651098-6           | SWITCH 1703.4801         |       | 1  |         |           |           |          |
| 014     | 961062-2           | STOP RING E-12           |       | 1  |         |           |           |          |
| 015     | 620D40-2           | LED CIRCUIT              |       | 1  |         |           |           |          |
| 016     | 620D39-7           | SUB CONTROLLER           |       | 1  |         |           |           |          |
| 017     | 961013-5           | STOP RING E-7            |       | 1  |         |           |           |          |
| 018     | 140T97-8           | SWITCH BASE COMPLETE     |       | 1  |         |           |           |          |
| C10     | 812D41-6           | INDICATION LABEL         |       | 1  |         |           |           |          |
| 019     | 213176-6           | O RING 14                |       | 1  |         |           |           |          |
| 020     | 455733-6           | SWITCH LEVER             |       | 1  |         |           |           |          |
| 021     | 213054-0           | O RING 9                 |       | 1  |         |           |           |          |
| 022     | 451344-5           | SWITCH DIAL              |       | 1  |         |           |           |          |
| 023     | 455728-9           | BATTERY COVER HOOK       |       | 1  |         |           |           |          |
| 024     | 231240-1           | COMPRESSION SPRING 7     |       | 1  |         |           |           |          |
| 025     | 644808-8           | TERMINAL                 |       | 2  |         |           |           |          |
| 026     | 455729-7           | TERMINAL BASE            |       | 1  |         |           |           |          |
| 027     | 620D20-8           | CONTROLLER               |       | 1  |         |           |           |          |
| 029     | 651910-0           | SWITCH D2VW-01-3HS       |       | 1  |         |           |           |          |
| 030     | 686039-3           | RECEPTACLE SLEEVE        |       | 1  |         |           |           |          |
| 031     | 857C16-2           | DVC157L SERIAL NO. LABEL |       | 1  |         |           |           |          |
| 032     | 140G18-2           | CAP COMPLETE             |       | 1  |         |           |           |          |
| C10     | 213218-6           | O RING 16                |       | 1  |         |           |           |          |
| C20     | 818F57-1           | CAP LABEL                |       | 1  |         |           |           |          |
| 033     | 252268-6           | HEX. NUT M6              |       | 1  |         |           |           |          |
| 034     | 412581-6           | SEPARATOR                |       | 1  |         |           |           |          |
| 035     | 253752-4           | FLAT WASHER 8            |       | 1  |         |           |           |          |
| 036     | 240178-9           | FAN 104                  |       | 1  |         |           |           |          |
| 037     | 313062-2           | FLANGE                   |       | 1  |         |           |           |          |
| 038     | 424685-2           | RUBBER RING 60           |       | 1  |         |           |           |          |
| 039     | 127653-1           | MOTOR ASSEMBLY           |       | 1  |         |           |           |          |
| D10     |                    | INC. 66-76               |       |    |         |           |           |          |
| 040     | 424686-0           | RUBBER RING 120          |       | 1  |         |           |           |          |

Please order the parts with part number.

Print Date 4/9/2020

Model No.DVC157L CORDLESS VACUUM CLEANER

| Položka | Objednávacie číslo | Popis                    | Zmena | ks | New/Old | Možnosť 1 | Možnosť 2 | Poznámka |
|---------|--------------------|--------------------------|-------|----|---------|-----------|-----------|----------|
| 041     | 422590-7           | SUPPORT RING             |       | 1  |         |           |           |          |
| 042     | 424690-9           | REAR BLOCK FILTER        |       | 2  |         |           |           |          |
| 043     | 143175-3           | TANK COVER COMPLETE      |       | 1  |         |           |           |          |
| D10     |                    | INC. 44,45               |       |    |         |           |           |          |
| 044     | 424691-7           | BAND DAMPER              |       | 1  |         |           |           |          |
| 045     | 424689-4           | FRONT DAMPER             |       | 1  |         |           |           |          |
| 048     | 197166-6           | POWDER FILTER H SET      |       | 1  |         |           |           |          |
| 049     | 423398-2           | DAMPER                   |       | 1  |         |           |           |          |
| 050     | 140253-0           | PRE-FILTER COMPLETE      |       | 1  |         |           |           |          |
| 051     | 422148-2           | BUMPER                   |       | 1  |         |           |           |          |
| 053     | 266257-5           | TAPPING SCREW 4X28       |       | 3  |         |           |           |          |
| 054     | 419351-4           | HOLDER PLATE             |       | 1  |         |           |           |          |
| 055     | 419350-6           | HOLDER                   |       | 1  |         |           |           |          |
| 056     | 421468-1           | CORD SEAL                |       | 1  |         |           |           |          |
| 057     | 266192-7           | TAPPING SCREW 4X14       |       | 4  |         |           |           |          |
| 058     | 213655-4           | O RING 56                |       | 1  |         |           |           |          |
| 059     | 451348-7           | INLET                    |       | 1  |         |           |           |          |
| 060     | 168537-4           | HOOK                     |       | 2  |         |           |           |          |
| 061     | 168535-8           | CASTER 50                |       | 2  |         |           |           |          |
| 062     | 168434-4           | CASTER 50                |       | 2  |         |           |           |          |
| 063     | 649150-2           | EARTH LINE 120           |       | 1  |         |           |           |          |
| 064     | 459493-2           | TANK                     |       | 1  |         |           |           |          |
| 065     | 347171-5           | FAN COVER                |       | 1  |         |           |           |          |
| 066     | 266326-2           | TAPPING SCREW 4X18       |       | 3  |         |           |           |          |
| 067     | 457486-3           | FAN BASE                 |       | 1  |         |           |           |          |
| 068     | 266326-2           | TAPPING SCREW 4X18       |       | 4  |         |           |           |          |
| 069     | 619431-8           | ROTOR                    |       | 1  |         |           |           |          |
| 070     | 652069-6           | FLAT HEAD SCREW M3X6     |       | 3  |         |           |           |          |
| 071     | 632J83-8           | LEAD UNIT                |       | 1  |         |           |           |          |
| 072     | 183F90-5           | MOTOR HOUSING SET        |       | 1  |         |           |           |          |
| D10     |                    | INC. 73                  |       |    |         |           |           |          |
| 073     | 183F90-5           | MOTOR HOUSING SET        |       | 1  |         |           |           |          |
| D10     |                    | INC. 72                  |       |    |         |           |           |          |
| 074     | 629491-2           | STATOR                   |       | 1  |         |           |           |          |
| 075     | 620D38-9           | CONTROLLER B             |       | 1  |         |           |           |          |
| 076     | 266490-9           | TAPPING SCREW PT 2X6     |       | 3  |         |           |           |          |
| 077     | 620D41-0           | SUB CONTROLLER           |       | 1  |         |           |           |          |
| A01     | 195433-3           | HOSE COMPLETE 28-3.5 SET |       | 1  |         |           |           |          |
| C10     | 417191-4           | CUFF LOCK                |       | 1  |         |           |           |          |
| C20     | 417586-1           | STOPPER                  |       | 1  |         |           |           |          |
| C30     | 417662-1           | SLEEVE                   |       | 1  |         |           |           |          |
| C40     | 417766-9           | FRONT CUFF 38            |       | 1  |         |           |           |          |
| D10     |                    | INC. A03,A04             |       |    |         |           |           |          |
| A02     | 195432-5           | POLY BAG SET(650X650)    |       | 1  |         |           |           |          |
| A03     | 417765-1           | FRONT CUFF 22            |       | 1  |         |           |           |          |

Please order the parts with part number.

Print Date 4/9/2020

Model No.DVC157L CORDLESS VACUUM CLEANER

| Položka | Objednávacie číslo | Popis                    | Zmena | ks | New/Old | Možnosť 1 | Možnosť 2 | Poznámka |
|---------|--------------------|--------------------------|-------|----|---------|-----------|-----------|----------|
| A04     | 424379-9           | FRONT CUFF 24            |       | 1  |         |           |           |          |
| A06     | 195434-1           | HOSE COMPLETE 38-2.5 SET |       | 1  |         |           |           |          |
| C10     | 417191-4           | CUFF LOCK                |       | 1  |         |           |           |          |
| C20     | 417306-3           | SLEEVE                   |       | 2  |         |           |           |          |
| C30     | 417307-1           | FRONT CUFF               |       | 1  |         |           |           |          |
| C40     | 417586-1           | STOPPER                  |       | 2  |         |           |           |          |
| A07     | 199455-5           | NOZZLE ASSEMBLY SET      |       | 1  |         |           |           |          |
| A08     | 192563-1           | STRAIGHT PIPE SET 565-38 |       | 1  |         |           |           |          |
| A09     | 192562-3           | BENDING PIPE             |       | 1  |         |           |           |          |
| A10     | 410306-2           | CORNER NOZZLE            |       | 1  |         |           |           |          |
| A11     | 451350-0           | STOPPER                  |       | 1  |         |           |           |          |
| A13     | 198900-7           | WIRELESS UNIT SET        |       | 1  |         |           |           |          |
| A14     | 911138-5           | P.H.SCREW M4X20 WITH WR  |       | 1  |         |           |           |          |
| A15     | 127607-8           | TOOL BOX ASSEMBLY        |       | 1  |         |           |           |          |
| E01     | 891978-6           | CAUTION LABEL            |       | 1  |         |           |           |          |

Please order the parts with part number.

Print Date 4/9/2020