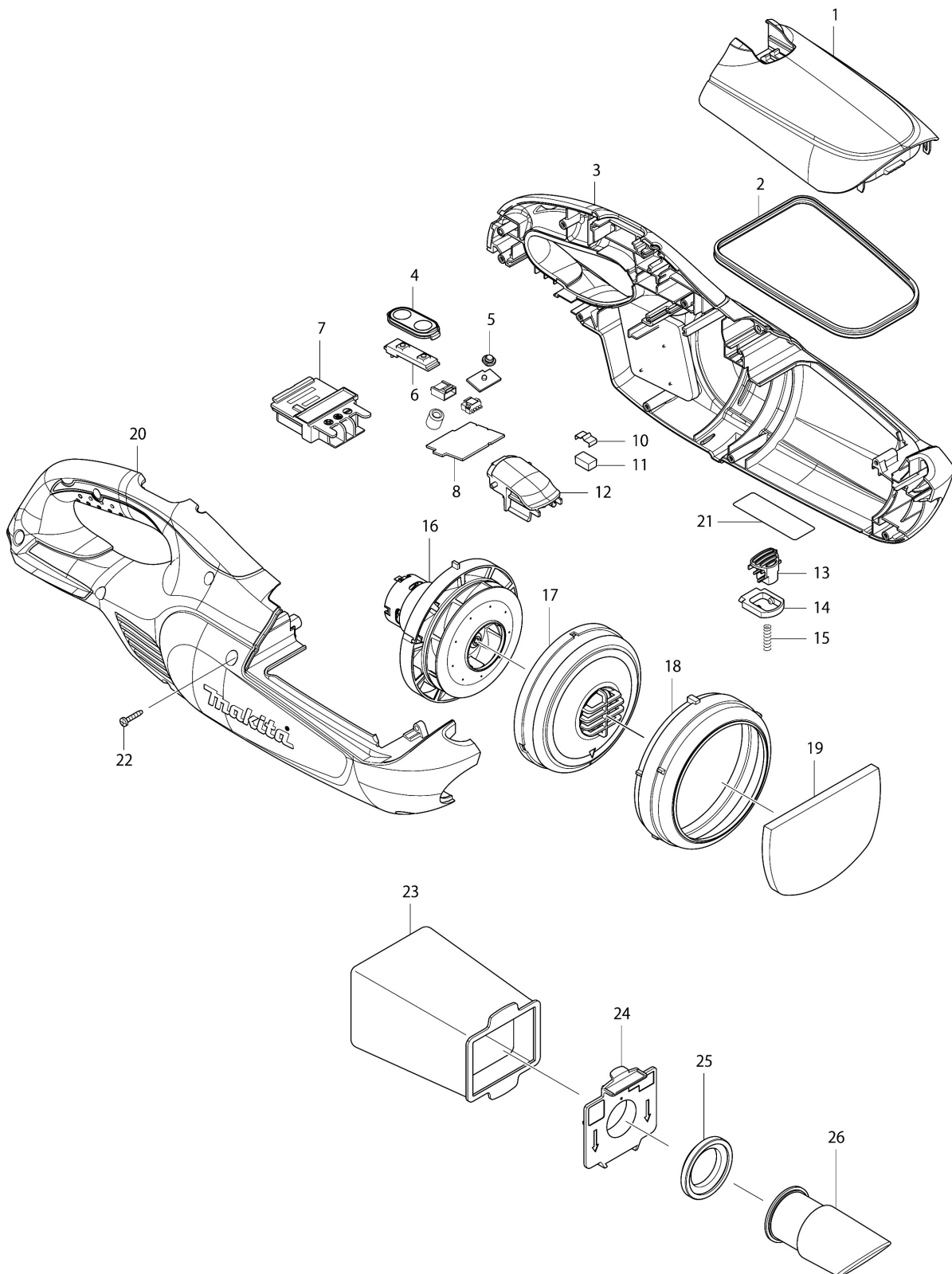


Model No.DCL182 CORDLESS CLEANER



Model No.DCL182 CORDLESS CLEANER

Položka	Objednávacie číslo	Popis	Zmena	ks	New/Old	Možnosť 1	Možnosť 2	Poznámka
001	456202-0	FRONT COVER		1				
002	424093-7	SEAL		1				
003	183E55-1	HOUSING SET		1				
C10	424209-4	SPONGE SHEET 50-50		2				
D10		INC. 20						
004	140463-9	SWITCH PLATE COMPLETE		1				
C10	816528-6	SWITCH LABEL		1				
005	450522-4	LENS		1				
006	631973-2	SWITCH UNIT		1				
007	643860-3	KONTAKT BFR550		1				
008	638866-4	CONTROLLER UNIT		1	*			
C11	688161-2	LINE FILTER		1	*			
C20	654069-2	RECEPTACLE		2	*			
008-1	632H41-2	CONTROLLER UNIT	<	1				
C11	688161-2	LINE FILTER		1				
C20	654069-2	RECEPTACLE		2				
010	232264-0	LEAF SPRING		1				
011	424367-6	RUBBER		1				
012	456200-4	FRONT COVER JOINT		1				
013	456201-2	BUTTON		1				
014	452352-9	STOPPER		1				
015-1	233344-5	PRUŽINA PRÍTLAČNÁ 4 HR2450/F/T		1				
016	125932-1	MOTOR ASSEMBLY		1				
C10	240102-2	KOLESO VENTILÁTORA 82		1				
C20	265199-0	+ PAN HEAD SCREW M3X8		2				
C30	452455-9	BASE		1				
017	416030-5	KRYT VENTILÁTORA 4073/93D		1				
018	424320-2	RUBBER RING		1				
019-1	424804-0	SUPONGE SHEET 76-110		1				
020	183E55-1	HOUSING SET		1				
C10	424209-4	SPONGE SHEET 50-50		2				
D10		INC. 3						
021	815G97-6	DCL182 NAME PLATE		1				
022	266429-2	SKRUTKA 3X16MM		9				
023	166084-9	DUST BAG		1				
024	141088-2	VALVE STAY COMPLETE		1	*			
024-1	143677-9	VALVE STAY COMPLETE	<	1				
025	424094-5	PACKING		1				
026	456199-3	INLET		1				
027	268271-7	PIN 3		1				
028	233580-3	TORSION SPRING 4		1				
A01-1	123539-7	FLOOR T-NOZZLE 28 BLA		1				
C10	451410-8	ROLLER		4				
C20	268208-4	PIN 3		4				

Model No.DCL182 CORDLESS CLEANER

Položka	Objednávacie číslo	Popis	Zmena	ks	New/Old	Možnosť 1	Možnosť 2	Poznámka
C30	424096-1	WIPER		1				
A02	456586-6	SASH NOZZLE 28 BLK		1				
A03	456587-4	PIPE		1				
A04	456585-8	SASH NOZZLE HOLDER		1				
A05	194566-1	FILTER PAIEROVÝ (5ks)		1				

Please order the parts with part number.

Print Date 3/1/2020