



Makita Werkzeug Ges.m.b.H.

Airportstr. 4, 2401 Fischamend

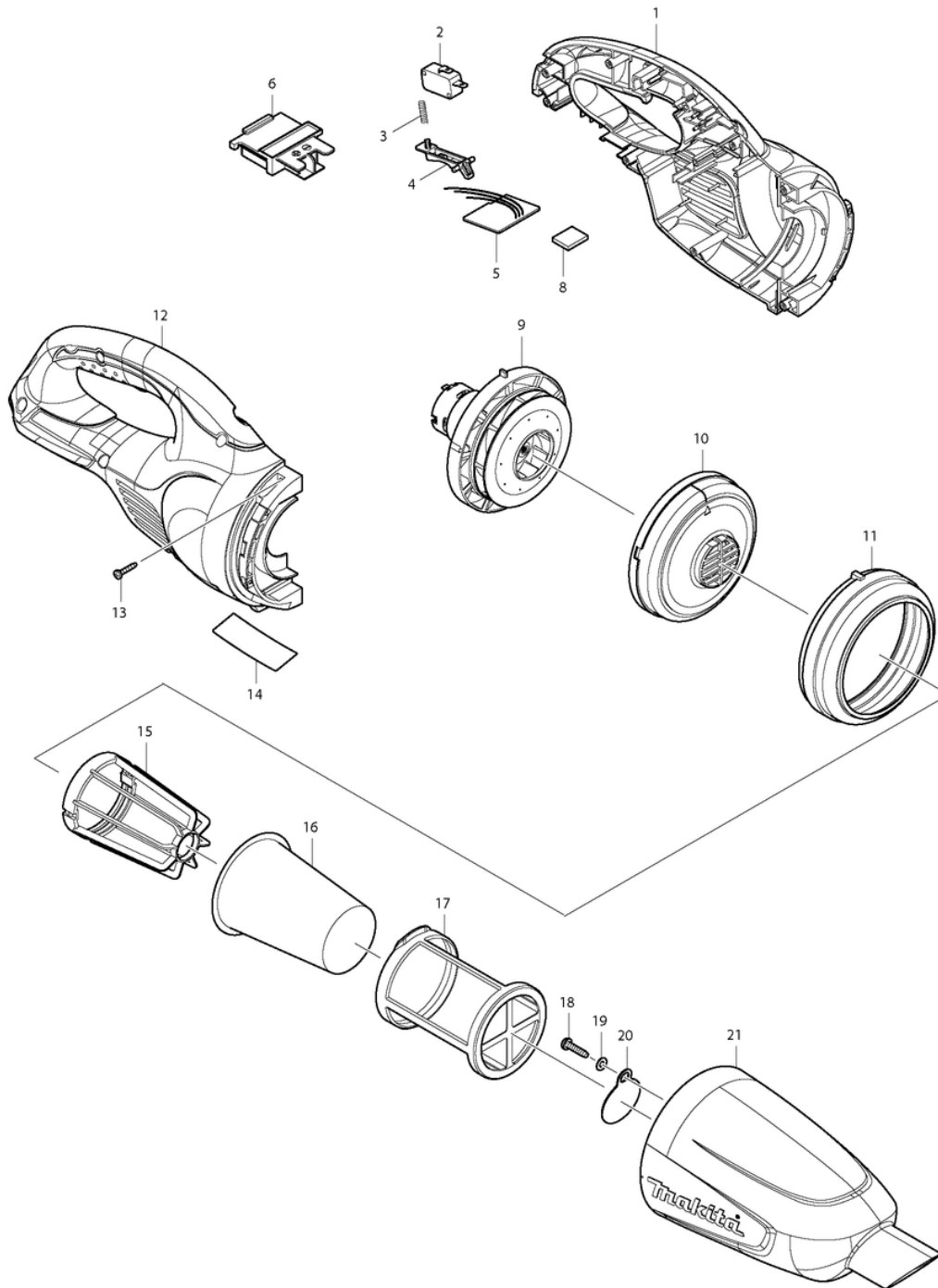
Tel: 02232 / 777 00

Fax: 02232 / 777 00 - 40

Mail: verkauf@makita.at

Web: www.makita.at

Makita Service Information / Model: DCL180





Makita Werkzeug Ges.m.b.H.

Airportstr. 4, 2401 Fischamend

Tel: 02232 / 777 00

Fax: 02232 / 777 00 - 40

Mail: verkauf@makita.at

Web: www.makita.at

Makita Service Information / Model: DCL180

POS	Bestell-Nr.	Artikelbeschreibung	Stk.	Stk.Preis
1	187458-1	HOUSING SET	1	N/A
1		*** INC. 12		N/A
2	651891-8	VYPINAC V-15-3A6	1	N/A
3	231473-8	COMPRESSION SPRING 4	1	N/A
4	451227-9	SWITCH LEVER	1	N/A
5	638935-1	CONTROLLER	1	N/A
6	643860-3	TERMINAL	1	N/A
8	424248-4	SPONGE SHEET 15-25	1	N/A
9	125867-6	MOTOR KPL. BCL180Z	1	N/A
10	416030-5	KRYT VENTILÁTORA 4073/93D	1	N/A
11	424320-2	RUBBER RING	1	N/A
12	187458-1	HOUSING SET	1	N/A
12		*** INC. 1		N/A
13	266429-2	SKRUTKA 3X16MM	7	N/A
14	815F73-4	DCL180 NAME PLATE	1	N/A
15	410237-5	STAY	1	N/A
16	443060-3	FILTER	1	N/A
17	451208-3	PRE-FILTER	1	N/A
18	265995-6	SKRUTKA SAMOREZNÁ 4x18	1	N/A
19	941051-3	PODLOŽKA 4 CL070DS/AN711H	1	N/A
20	424208-6	KLAPKA BCL180Z	1	N/A
21	451235-0	Capsule	1	N/A
22	424308-2	SPONGE SHEET 50-36	1	N/A
1001	122859-6	NOZZLE ASS'Y	1	N/A
1002	451243-1	SASH NOZZLE	1	N/A
1003	451244-9	PIPE	1	N/A
1004	451245-7	SASH NOZZLE HOLDER	1	N/A